

**AV RECEIVER****Service Manual****TX-NR747**

- ✓ Pre Issue (2015-May)
- ✓ Final Issue (2015-Jun)

**CONTENTS**

- ✓ [Front Cover \(This page\)](#)
- ✓ [Note for Parts List](#)
- ✓ [Panel](#)
- ✓ [Reset](#)
- ✓ [Amp Diag Mode after Abnormal Conditions](#)
- ✓ [Model and Destination](#)
- ✓ [Firmware](#)
- Adjustment ( Unnecessary )
- ✓ [Hookup and Setting](#)
- ✓ [Trouble Shoot](#)
- ✓ [Disassembly](#)
- ✓ [Schematic Diagram](#)
- ✓ [Exploded View](#)
- ✓ [Appendix](#)

**SAFETY-RELATED COMPONENT WARNING!!** : COMPONENTS IDENTIFIED BY MARK  $\Delta$  ON THE SCHEMATIC DIAGRAM AND IN THE PARTS LIST ARE CRITICAL FOR RISK OF FIRE AND ELECTRIC SHOCK. REPLACE THESE COMPONENTS WITH ONKYO PARTS WHOSE PART NUMBERS APPEAR AS SHOWN IN THIS MANUAL. MAKE LEAKAGE-CURRENT OR RESISTANCE MEASUREMENTS TO DETERMINE THAT EXPOSED PARTS ARE ACCEPTABLY INSULATED FROM THE SUPPLY CIRCUIT BEFORE RETURNING THE APPLIANCE TO THE CUSTOMER.

# ONKYO®

Published by Onkyo & Pioneer Corporation Global CS Department

# File Name of Parts List File (EXCEL File)

## Note for Parts List

When parts list is EXCEL file, please refer to the following explanation about file name.

PL\_ **TX-SR343** ( **B** ) **MJJ** .xlsx

**Model No.**

**Color**

**Destination**

Look at the rear panel serial number 6 digit.

○ ○ ○ ○ ○ J ○ ○ ○ ○ ○ ○ ○ ○ ○ ○

**Voltage**

Look at the rear panel serial number 5 digit.

○ ○ ○ ○ J ○ ○ ○ ○ ○ ○ ○ ○ ○ ○ ○ ○

**Color**

- (B) Black
- (BR) Brown
- (C) Cherry
- (G) Gold
- (GR) Green
- (H) Gray
- (K) Black
- (L) Blue
- (LB) Light Blue
- (M) Wood
- (O) Orange
- (P) Pink
- (R) Red
- (S) Silver
- (V) Violet
- (W) White
- (Y) Yellow

**Voltage**

- J 100V AC
  - D 120V AC
  - M 220-240V AC
  - P 230V AC
  - U 100-240V AC
- Speaker System (without AMP.) :
- 0 Passive Subwoofer
  - F Front Speaker
  - C Center Speaker
  - R Rear Speaker
  - B Back Speaker

**Destination**

- J Japan
- C North American
- D USA
- F Taiwan
- S Brazil
- Q Hong Kong
- R China
- A Australia
- B United Kingdom
- K Korea
- L Russia
- P Europe
- U Worldwide

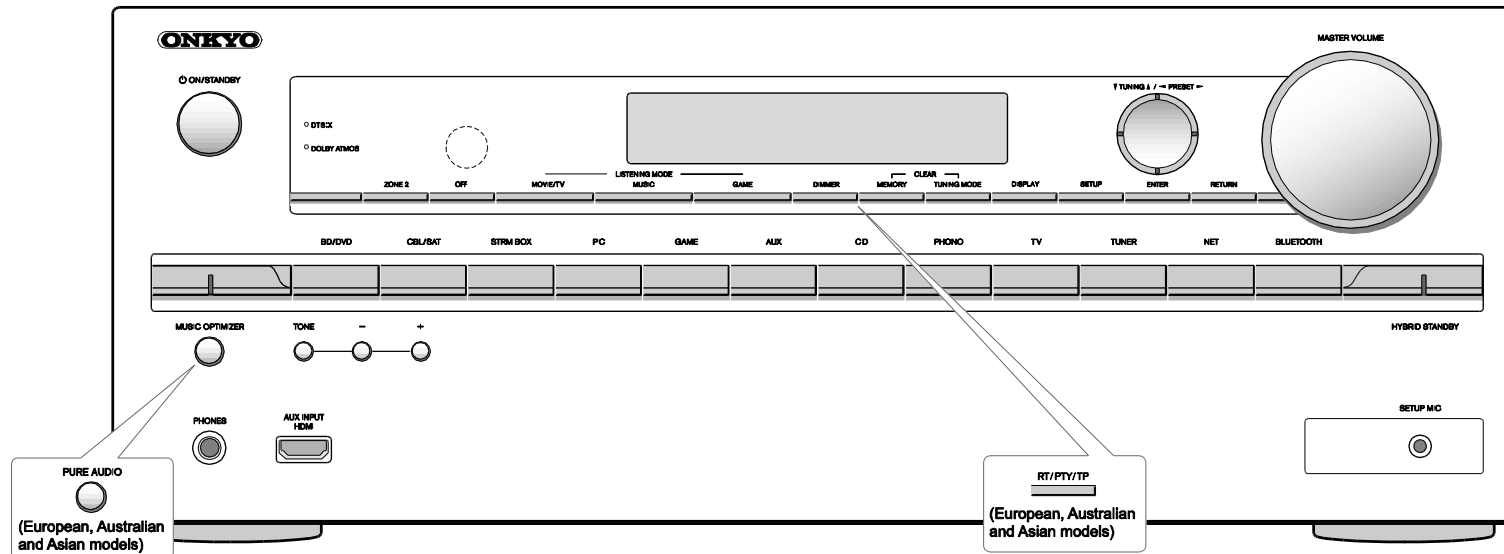
Speaker System (without AMP.) :

- L Left channel
- R Right channel
- 0 Center channel

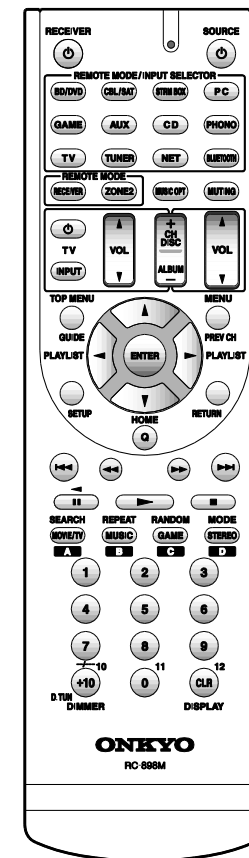
# Front Panel / Rear Panel / Remote Control Unit

# Panel

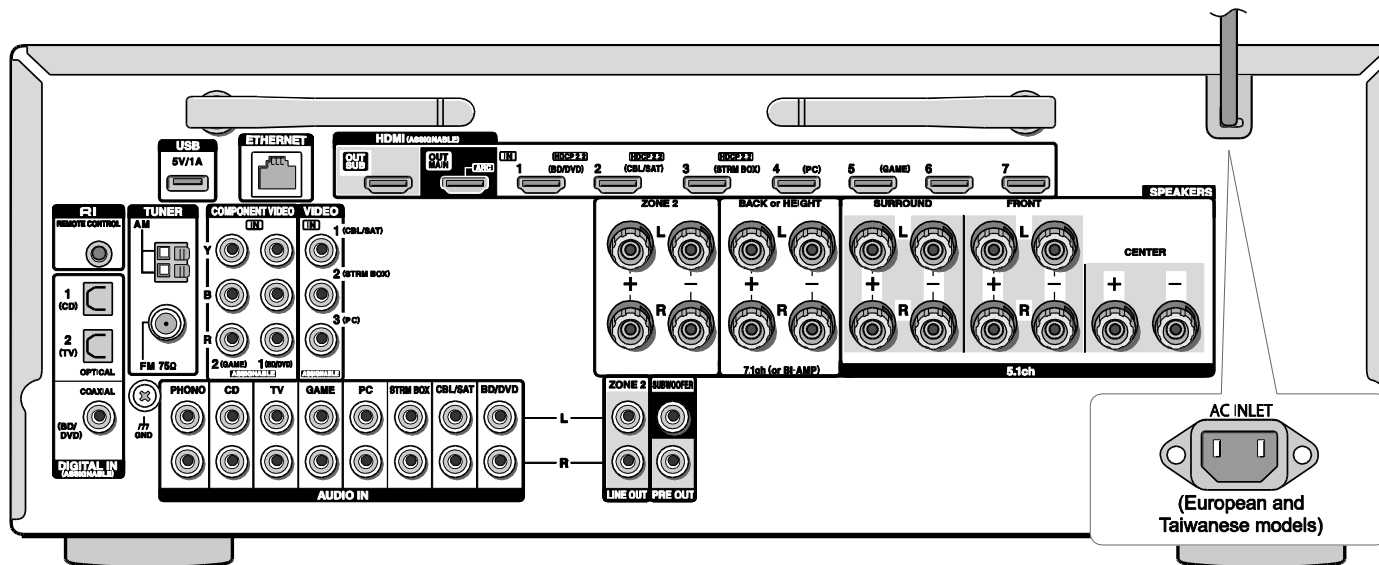
## Front Panel



## Remote Control Unit RC-898M



## Rear Panel



## Accessory

- Indoor FM antenna --- (1)
- AM loop antenna --- (1)
- Remote controller (RC-898M) --- (1)
- Batteries (AA/R6) --- (2)
- Power cord (European and Taiwanese models) --- (1)
- Speaker setup microphone --- (1)

Weight : 435 mm × 175 mm × 379 mm, 17-1/8" × 6-7/8" × 14-15/16"  
 Dimensions (W × H × D) : 11.0 kg (24.3 lbs.) (North American and Taiwanese), 11.5 kg (25.4 lbs.) (Others)

# How to Reset the Unit

Reset

## ● How to reset:

### Step1

While holding down CBL/SAT on the main unit (note that step 2 must be performed with this button pressed down)

### Step2

Press ON/STANDBY on the main unit. ("Clear" appears on the display and the unit returns to standby.)

- Do not unplug the power cord until "Clear" disappears from the display.

## ● How to reset the remote controller:

### Step1

While holding down RECEIVER on the remote controller, press Q until the remote indicator stays lit (about 3 seconds).

### Step2

Within 30 seconds, press RECEIVER again.

## ● リセット方法 :

### 1.

本体のCBL/SATボタンを押しながら (必ず押した状態で2.の操作を行ってください)

### 2.

本体のON/STANDBYボタンを押す (表示部に「Clear」が表示されてスタンバイ状態に戻ります)

- 表示部から「Clear」が消えるまで、絶対に電源コードを抜かないでください。

## ● リモコンのリセット方法 :

### 1.

リモコンのRECEIVERボタンを押しながら、リモートインジケータが点灯するまでQボタンを3秒以上押す

### 2.

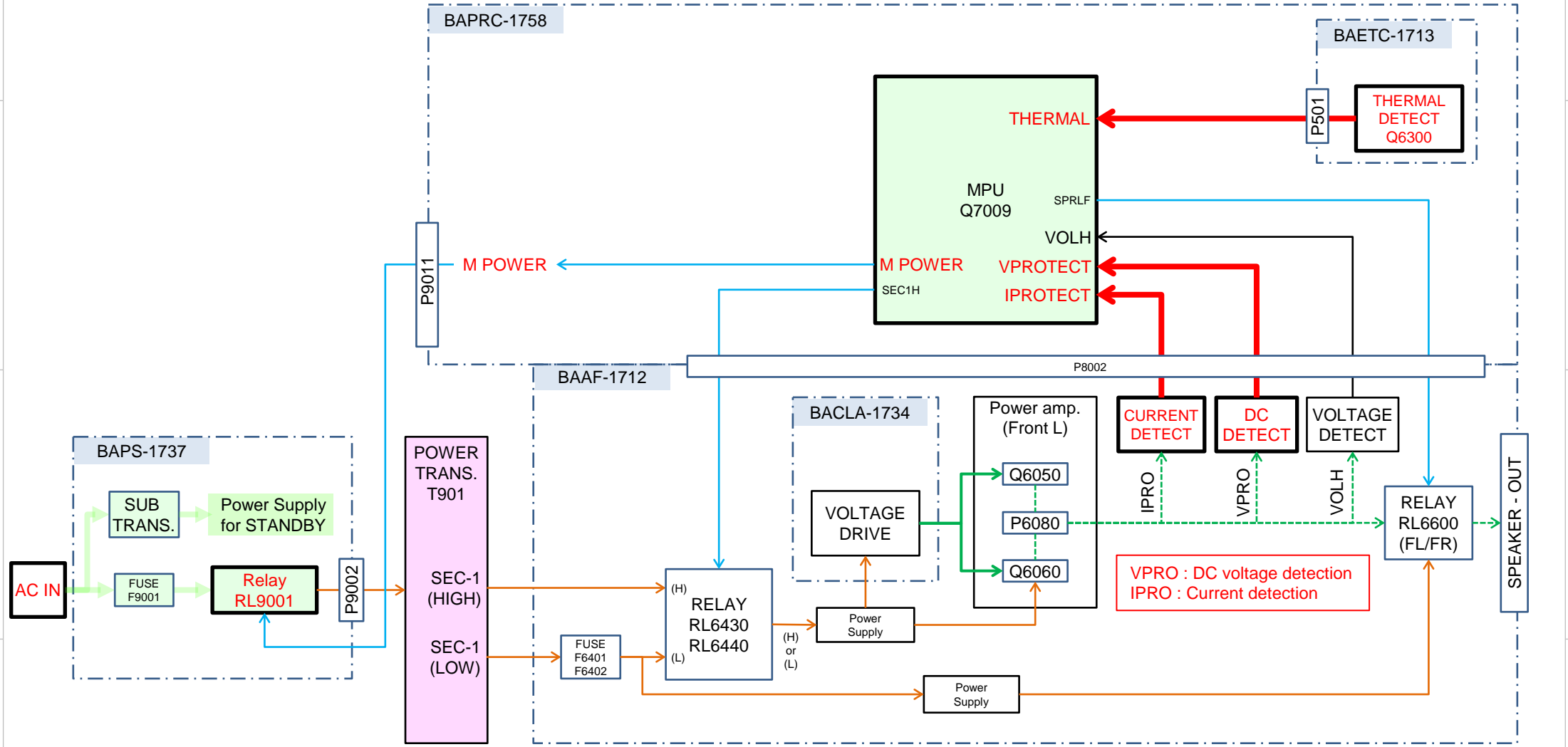
30秒以内にRECEIVERボタンをもう一度押すとリセットされる

COMMON

# Protect Mode

# Amp Diag Mode after Abnormal Conditions

The unit goes into standby automatically when detect the abnormal condition of thermal detection, dc voltage detection or current detection. (e.g. TX-SR343 block diagram below)



# Self-diagnostics

This function is for avoiding the rupture of electrolytic capacitors with amplifier circuit failure during power-ON.

## Operation of Self-diagnostic

Self-diagnostic will start at the timing of next power on, after goes to the protect mode by Current detection or DC voltage detection.

Only On/Standby key could work in this mode. Also remote control does not work. However, the CLEAR operation is enabled.

During Self-diagnostic, the power supply for amplifier circuit become low voltage state(SEC1-LOW), and the speaker relay will be turned off. Then, MPU will check each amplifier circuits Internally by entering the test signal (20 kHz,-20 dBFS sine wave) to each channel from DSP.

MPU will judge the amplifier circuit is good or not from VOLH value.

The normal range of VOLH value is  $0.04\text{ V} < \text{VOLH} < 0.20\text{ V}$ .

If VOLH value is in the out of this range, it will be judged as NG (No good).

## No problem found

When protected by current detection, and no problem found, "CHECK SP WIRE" will be displayed. In this State, Only the On/Standby key is effective. And if do not anything for 3 minutes, unit goes into standby automatically.

When protected by a DC voltage detection, and no problem found, unit goes into normal operation.

## Problem found

When judged as there is a problem on any channel, the information of channel that has a problem will be displayed as in the right figure.

In this State, Only the On/Standby key is effective. Also remote control does not work. If do not anything for 3 minutes, unit goes into standby automatically. This state will keep also after unit turn on/off, or AC unplugged.

the power supply for amplifier circuit become low voltage state(SEC1-LOW), and the speaker relay will be turned off.

# Amp Diag Mode after Abnormal Conditions

Display of during Self-diagnostics

2 Line FL tube type

A	M	P		D	i	a	g		M	o	d	e	

1 Line FL tube type

A	M	P		D	i	a	g		M	o	d	e	
---	---	---	--	---	---	---	---	--	---	---	---	---	--

"Mode" This part display the channel which is currently checked. (E.g. "[FL]", etc.)

Display of when problem found

2 Line FL tube type

N	G		C	H	:								
			L	C	R	S	L	S	R	B	L	B	R

1 Line FL tube type

N	G	:	L	C	R	S	L	S	R	B	L	B	R
---	---	---	---	---	---	---	---	---	---	---	---	---	---

- L** → Front L channel      **S L** → Surround L channel
- C** → Center channel      **S R** → Surround R channel
- R** → Front R channel      **B L** → Surround back L channel
- B R** → Surround back R channel

# Repair Process and How to Confirm

## Confirmation of the protect cause

While NG channel is displayed, You can confirm the protect cause by following the step below.

1. Press the Enter button
2. The protect cause are displayed for 5 seconds.

Please check the around of those amplifier circuit and repair it.

## Clear of NG CH information

After repair, you can clear NG CH information by following the steps below.

1. Press the On/Standby key while pressing the Enter key.
2. Display as in the right figure appears.
3. Unit goes into Standby automatically after 5 seconds.

Self-diagnostic will start again at the timing of next power on.

By this, You can verify whether repair was properly or not.

If problem found after repair, please re-check the around of its circuit.

## Cancel of Self-diagnostic

You can cancel this mode by clear operation (press Standby key while pressing CBL/SAT key).

After cancel this mode, receiver will be started as normal operation.

# Amp Diag Mode after Abnormal Conditions

Protected by current detection

D E T . P R O T E C T : I

Protected by DC Voltage detection

D E T . P R O T E C T : V

Clear of NG CH information

N G C H C L E A R

# How to check model and destination

## Model and Destination

[TV] + [ON/STANDBY] → [DIMMER] or [RT/PTY/TP] → [TONE +] x 4

Model Name	Distination	FL Display													
TX-NR545	DC	N	R	5	4	5			D	C		2	0	0	0
TX-NR545	DF	N	R	5	4	5			D	F		0	0	0	0
TX-NR545	xx	N	R	5	4	5			x	x		8	0	0	0
DTR-20.7	DD	D	T	R	2	0	7		D	D		2	0	4	0
DTR-20.7	xx	D	T	R	2	0	7		x	x		8	0	4	0
TX-NR646	DC	N	R	6	4	6			D	C		2	2	0	0
TX-NR646	DF	N	R	6	4	6			D	F		0	2	0	0
TX-NR646	JJ	N	R	6	4	6			J	J		4	2	0	0
TX-NR646	xx	N	R	6	4	6			x	x		8	2	0	0
DTR-30.7	DD	D	T	R	3	0	7		D	D		2	2	4	0
DTR-30.7	JJ	D	T	R	3	0	7		J	J		4	2	4	0
DTR-30.7	xx	D	T	R	3	0	7		x	x		8	2	4	0
TX-NR747	DC	N	R	7	4	7			D	C		2	4	0	0
TX-NR747	DF	N	R	7	4	7			D	F		0	4	0	0
TX-NR747	xx	N	R	7	4	7			x	x		8	4	0	0
DTR-40.7	DD	D	T	R	4	0	7		D	D		2	4	4	0
DTR-40.7	xx	D	T	R	4	0	7		x	x		8	4	4	0



# How to check Firmware Version & Preparation of Update

## Firmware

### Step1 : [DISPLAY] + [ON/STANDBY] x 2

Main Firmware Version will appear on the main unit's display.

### Step2 : [TONE +]

NET Firmware Version will appear on the main unit's display.

### Step3 : [TONE +]

DSP Firmware Version will appear on the main unit's display.

### Step4 : [TONE +]

VIDEO Firmware Version will appear on the main unit's display.

### Step5 : [TONE +]

OSD Firmware Version will appear on the main unit's display.

### Step6 : [TONE +]

VS100 Firmware Version will appear on the main unit's display.  
( DTR-40.7 only )

### [Preparation of Update]

1. Connect the USB storage device to your PC. If there is any data in the USB storage device, remove it.
2. Download the firmware file (package file) from the Onkyo FTP-server.  
However European service partners should download the firmware file (package file) from the ExtraNet.

Onkyo FTP-server: [ftp://manex.onkyo.co.jp/\\_servicefwa/TX-NR545](ftp://manex.onkyo.co.jp/_servicefwa/TX-NR545)

ID and Password are those we informed when changed.

Filename is as follows: ONKAVR001D\_\*\*\*\*\*.zip

Unzip the downloaded file. A following file is created.

ONKAVR001D\_\*\*\*\*\*.of1

ONKAVR001D\_\*\*\*\*\*.of2

ONKAVR001D\_\*\*\*\*\*.of3

ONKAVR001D\_\*\*\*\*\*.of4

ONKAVR001D\_\*\*\*\*\*.of5

3. Copy it to the USB storage device. Be careful not to copy the zip file.
4. Remove the USB storage device from your PC.

## How to Update (service mode)

## Firmware

Overwriting is also possible.

1. Turn on the unit. It takes some time to start after you switch on the unit.
2. Select the USB input source.
3. Connect the USB storage device to USB port on the unit. Wait until Initializing of USB/NET finishes.
4. Hold down [DISPLAY] button and then press [ON/STANDBY] button twice.  
Main version will be displayed, and HYBRID STANDBY indicator will start to flash.
5. Press [RETURN] button. "NET -> ALL\_D" will be displayed.
6. Select "USB -> ALL\_D" by [PRESET(left/right)] cursors and [TUNING(up/down)] cursors, then press [ENTER] button, updating will begin.
7. Wait until update is completed. When the update ends, "Completed!" is displayed.  
(If you leave it, it automatically turns standby mode. )
8. Press [ON/STANDBY] button, and the unit turns on.
9. Check the new FW version number.

<Note>

If the procedure might not be successful, please select "USB -> ALL\_M".

# No Sound

## Hookup and Setting

### ■ No sound from connected player

- Chose input selector which is assigned to connected input terminal ?
- Isn't muting on ?

### ■ No sound from connected TV

- Chose wrong input selector ?
- Connect to this model's HDMI OUT terminal from TV by HDMI cable ?
- When TV supports ARC function, connect to his model's HDMI OUT terminal from TV's HDMI input terminal for ARC function ?
- When TV doesn't support ARC function, connect TV to this model with optical cable etc. ?
- Isn't muting on ?

### ■ No sound from some connected loudspeaker(s)

- No sound loudspeaker(s) config is enabled ?

### ■ No sound from all connected TV or Blu-ray player etc.

- After chose loudspeaker volume level setting, test tone is OK ?

### ■ No problem about above items

- Unplug power cord  
After 10 seconds, connect power cord again
- Reset this model

# No Picture

## Hookup and Setting

### ■ In general

- Connection cable is bent , twisted or damaged ?
- Input is switched on TV ?

### ■ No picture from connected player by HDMI input terminal

- Chose input selector which is connected to player ?
- Listening mode is not Pure Audio ?
- Don't use HDMI-DVI adaptor. From personal computer ?

### ■ No picture from connected player by component video terminal

- Output to TV connected to component video out terminal from player's picture connected to the composite video input terminals ?

### ■ No problem about above items

- Unplug power cord  
After 10 seconds, connect power cord again
- Reset this model

# No Power

## Hookup and Setting

### ■ In general

Doesn't be connection cable bent, be it twisted and be it damaged?

### ■ There is time when indication on the front panel doesn't just light up.

Please check the connecting cord of a DISPLAY PCB.

### ■ No problem about above items

Unplug power cord

After 10 seconds, connect power cord again

Reset this model

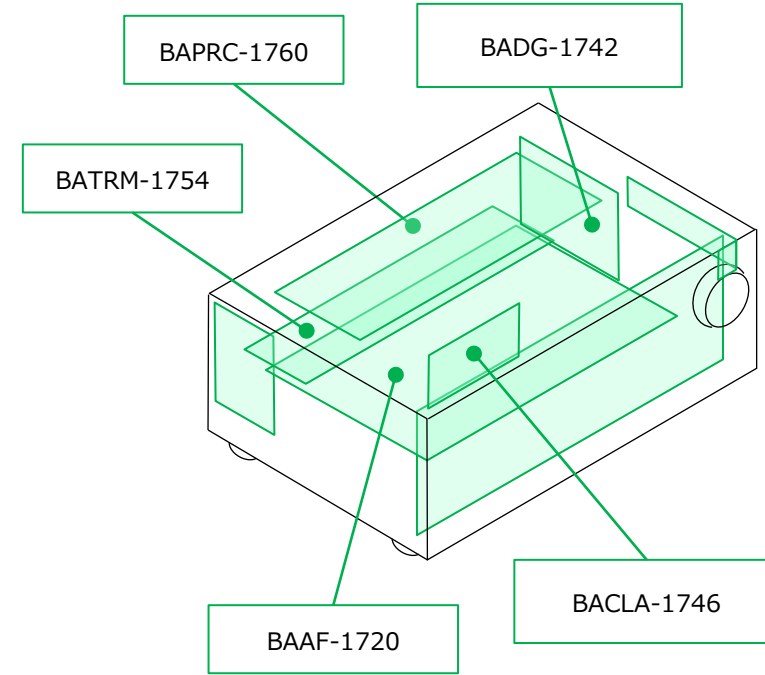
# No Sound (HDMI in)

# Trouble Shoot

Here the trouble shoot which focuses on the hardware troubles regarding PCB assembly is explained.  
Of course, with actual repair there are also troubles due to damaged Power Transformer, Wiring, soldering etc. in addition to PCB assembly.

このトラブルシューティングは故障している基板を特定するためのものです。  
ここで見つかった故障基板だけが原因ではなく、電源トランス・接続線の結線・はんだ付けなどの不具合も考えられます

Process	Check Point	Damaged PCB
1	<b>J6718</b> (BAAF-1720) ● : +23V	BAAF-1720
2	<b>P7003B</b> (BADG-1742) ● No.1 pin : +15V ● No.3 pin : -15V	BAAF-1720
3	<b>P801B</b> (BAPRC-1760) ● No.5 pin : +15V	BATRM-1754
4	<b>P8003A</b> (BADG-1742) ● No.20 pin : +3.3V	BAPRC-1760
5	<b>P8003A</b> (BADG-1742) ● No.5 pin : Check signal ● No.7 pin : Check signal	BAPRC-1760
6	<b>Q1501</b> (BADG-1742) ● No.7 pin : Check signal	BADG-1742
7	<b>J6615</b> (BAAF-1720) ● : Check signal	BAAF-1720
8	<b>Q6050, Q6060</b> (BAAF-1720) ● Base : Check signal ● Base : Check signal	BACLA-1746
9	<b>P801B</b> (BAPRC-1760) ● No.3 pin : +3V	BAAF-1720
10	<b>P6080</b> (BAAF-1720) ● : Check signal	BAAF-1720
11		BATRM-1754



● Each voltage is shown as the reference value.  
● 各電圧は実測した標準値です

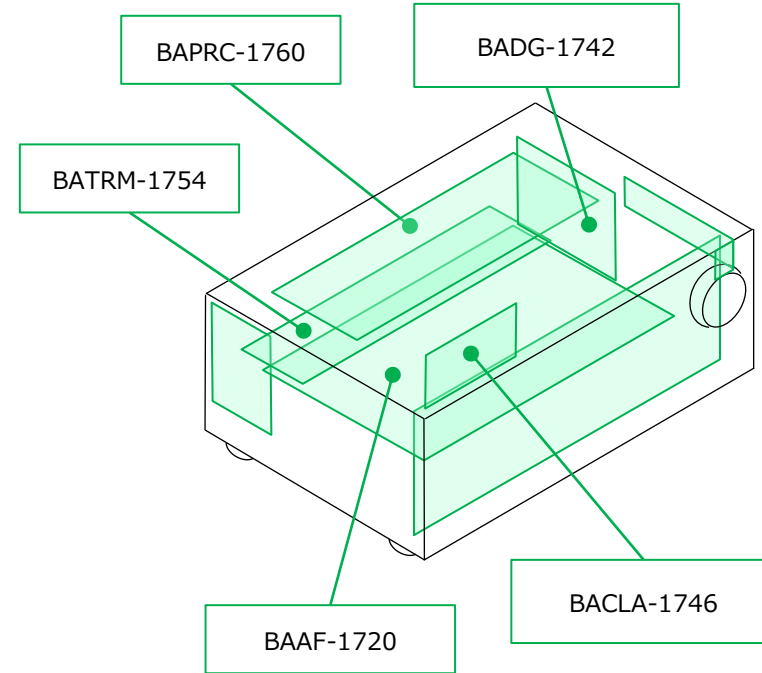
# No Sound (Opt in)

# Trouble Shoot

Here the trouble shoot which focuses on the hardware troubles regarding PCB assembly is explained.  
Of course, with actual repair there are also troubles due to damaged Power Transformer, Wiring, soldering etc. in addition to PCB assembly.

このトラブルシューティングは故障している基板を特定するためのものです。  
ここで見つかった故障基板だけが原因ではなく、電源トランス・接続線の結線・はんだ付けなどの不具合も考えられます

Process	Check Point	Damaged PCB
1	<b>J6718</b> (BAAF-1720) ● : +23V	BAAF-1720
2	<b>P7003B</b> (BADG-1742) ● No.1 pin : +15V ● No.3 pin : -15V	BAAF-1720
3	<b>P801B</b> (BAPRC-1760) ● No.5 pin : +15V	BATRM-1754
4	<b>P8003A</b> (BADG-1742) ● No.20 pin : +3.3V	BAPRC-1760
5	<b>P8003A</b> (BADG-1742) ● No.15 pin : Check signal	BADG-1742
6	<b>P8003A</b> (BADG-1742) ● No.5 pin : Check signal ● No.7 pin : Check signal	BAPRC-1760
7	<b>Q1501</b> (BADG-1742) ● No.7 pin : Check signal	BADG-1742
8	<b>J6615</b> (BAAF-1720) ● : Check signal	BAAF-1720
9	<b>Q6050, Q6060</b> (BAAF-1720) ● Base : Check signal ● Base : Check signal	BACLA-1746
10	<b>P801B</b> (BAPRC-1760) ● No.3 pin : +3V	BAAF-1720
11	<b>P6080</b> (BAAF-1720) ● : Check signal	BAAF-1720
12		BATRM-1754



● Each voltage is shown as the reference value.  
● 各電圧は実測した標準値です

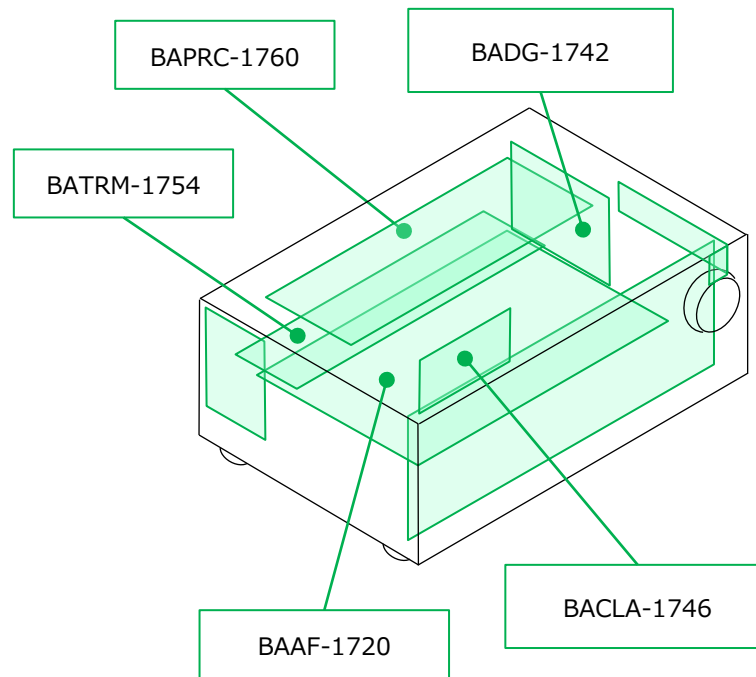
# No Sound (Analog in)

# Trouble Shoot

Here the trouble shoot which focuses on the hardware troubles regarding PCB assembly is explained.  
Of course, with actual repair there are also troubles due to damaged Power Transformer, Wiring, soldering etc. in addition to PCB assembly.

このトラブルシューティングは故障している基板を特定するためのものです。  
ここで見つかった故障基板だけが原因ではなく、電源トランス・接続線の結線・はんだ付けなどの不具合も考えられます

Process	Check Point	Damaged PCB
1	<b>J6718</b> (BAAF-1720) ● : +23V	BAAF-1720
2	<b>P7003B</b> (BADG-1742) ● No.1 pin : +15V ● No.3 pin : -15V	BAAF-1720
3	<b>J6615</b> (BAAF-1720) ● : Check signal	BAAF-1720
4	<b>Q6050, Q6060</b> (BAAF-1720) ● Base : Check signal ● Base : Check signal	BACLA-1746
5	<b>P801B</b> (BAPRC-1760) ● No.3 pin : +3V	BAAF-1720
6	<b>P6080</b> (BAAF-1720) ● : Check signal	BAAF-1720
7		BATRM-1754



● Each voltage is shown as the reference value.  
● 各電圧は実測した標準値です



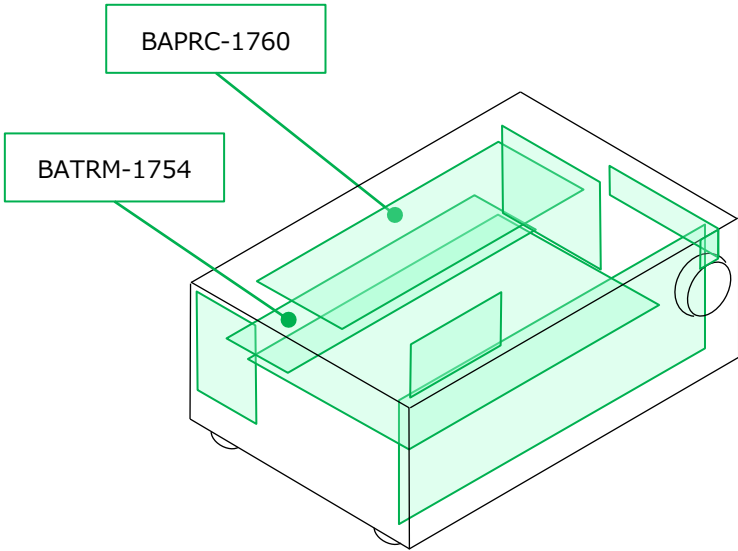
# No Picture (HDMI in/ out)

# Trouble Shoot

Here the trouble shoot which focuses on the hardware troubles regarding PCB assembly is explained.  
Of course, with actual repair there are also troubles due to damaged Power Transformer, Wiring, soldering etc. in addition to PCB assembly.

このトラブルシューティングは故障している基板を特定するためのものです。  
ここで見つかった故障基板だけが原因ではなく、電源トランス・接続線の結線・はんだ付けなどの不具合も考えられます

Process	Check Point	Damaged PCB
1	<b>P801B</b> (BAPRC-1760) ● No.5 pin : +15V	BATRM-1754
2		BAPRC-1760



● Each voltage is shown as the reference value.  
● 各電圧は実測した標準値です

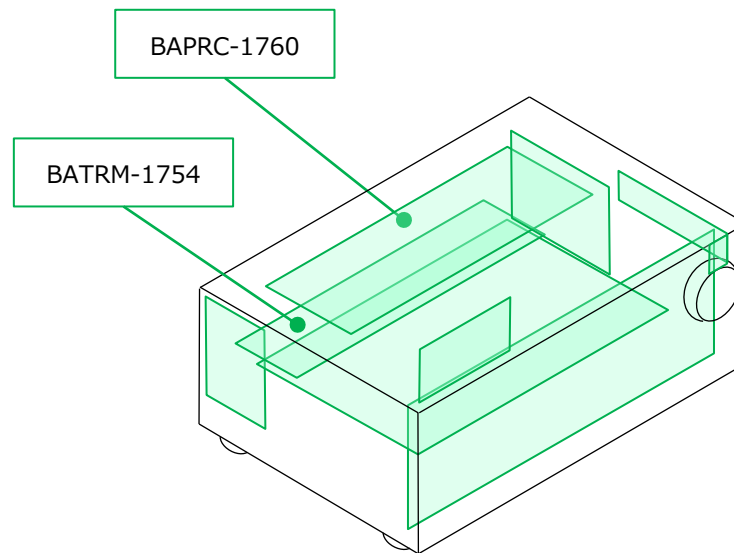
# No Picture (Component in/ HDMI out)

## Trouble Shoot

Here the trouble shoot which focuses on the hardware troubles regarding PCB assembly is explained.  
Of course, with actual repair there are also troubles due to damaged Power Transformer, Wiring, soldering etc. in addition to PCB assembly.

このトラブルシューティングは故障している基板を特定するためのものです。  
ここで見つかった故障基板だけが原因ではなく、電源トランス・接続線の結線・はんだ付けなどの不具合も考えられます

Process	Check Point	Damaged PCB
1	<b>P801B</b> (BAPRC-1760) ● No.5 pin : +15V	No Good → BATRM-1754 OK ↓
2	<b>P2800B</b> (BAPRC-1760) ● No.9 pin : +5V	No Good → BAPRC-1760 OK ↓
3	<b>P2800B</b> (BAPRC-1760) ● No.3 pin : Check signal ● No.5 pin : Check signal ● No.7 pin : Check signal	No Good → BATRM-1754 OK ↓
4		BAPRC-1760



● Each voltage is shown as the reference value.  
 ● 各電圧は実測した標準値です

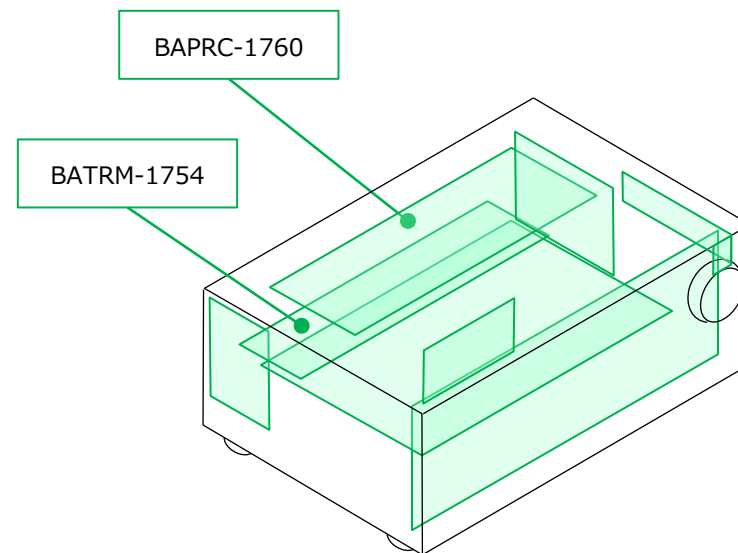
# No Picture (Composite in/ HDMI out)

## Trouble Shoot

Here the trouble shoot which focuses on the hardware troubles regarding PCB assembly is explained.  
Of course, with actual repair there are also troubles due to damaged Power Transformer, Wiring, soldering etc. in addition to PCB assembly.

このトラブルシューティングは故障している基板を特定するためのものです。  
ここで見つかった故障基板だけが原因ではなく、電源トランス・接続線の結線・はんだ付けなどの不具合も考えられます

Process	Check Point	Damaged PCB
1	<b>P801B</b> (BAPRC-1760) ● No.5 pin : +15V	BATRM-1754
2	<b>P2800B</b> (BAPRC-1760) ● No.9 pin : +5V	BAPRC-1760
3	<b>P2800B</b> (BAPRC-1760) ● No.7 pin : Check signal	BATRM-1754
4		BAPRC-1760



- Each voltage is shown as the reference value.
- 各電圧は実測した標準値です

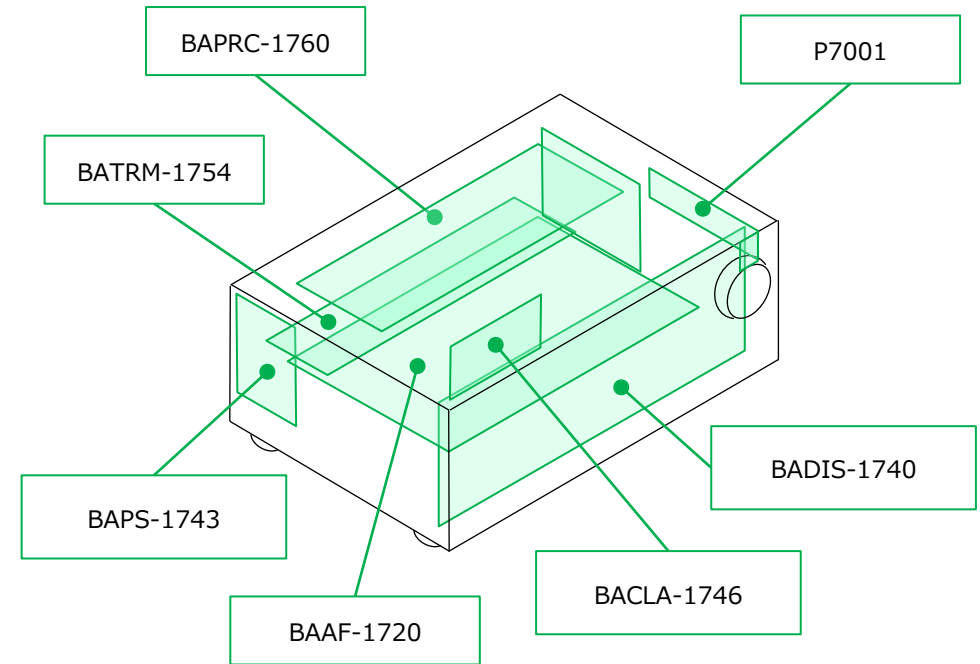
# No Power

# Trouble Shoot

Here the trouble shoot which focuses on the hardware troubles regarding PCB assembly is explained.  
Of course, with actual repair there are also troubles due to damaged Power Transformer, Wiring, soldering etc. in addition to PCB assembly.

このトラブルシューティングは故障している基板を特定するためのものです。  
ここで見つかった故障基板だけが原因ではなく、電源トランス・接続線の結線・はんだ付けなどの不具合も考えられます

Process	Check Point	Damaged PCB
1	<b>C9001</b> (BAPS-1743) ● : AC100~240V	BAPS-1743
2	<b>F9002</b> (BAPS-1743)	BAAF-1720 and BACLA-1746
3	<b>F6401, F6402</b> (BAAF-1720)	BAAF-1720 and BACLA-1746
4	<b>ANY PARTS</b> (BAAF-1720)	BAAF-1720 and BACLA-1746
5	<b>P7001(FFC)</b> (BAPRC-1760)	P7001(FFC)
6	<b>P9011B</b> (BAPRC-1760) ● No.4 pin : +12V (StandBy) +15V (PowerOn)	BAPS-1743
7	<b>P9011B</b> (BAPRC-1760) ● No.1 pin : +3V	BAPRC-1760
8	<b>P701A</b> (BAPRC-1760) ● No.1 pin : +5V	BAPRC-1760
9	<b>RL9001</b> (BAPS-1743)	BAPS-1743
10	<b>P9002</b> (BAPS-1743) ● : AC100~240V	BATRM-1754
11	<b>P7001(FFC)</b> (BADIS-1740)	P7001(FFC)
12		BADIS-1740



**ANY PARTS on BAAF-1720 / BACLA-1740**

Check damage parts  
Normal(OK) or Damage (No good)

Check the damage in the red framework part as shown with visual inspection.

e.g. Broken, Burnout, Discoloration, etc.

1. When being not turned on with remote control unit only, BADIS-1740(TX)/ BADIS-1747(DTR) is abnormal.  
2. When being not turned on with button on the main unit only, BADIS-1740(TX)/ BADIS-1747(DTR) is abnormal.

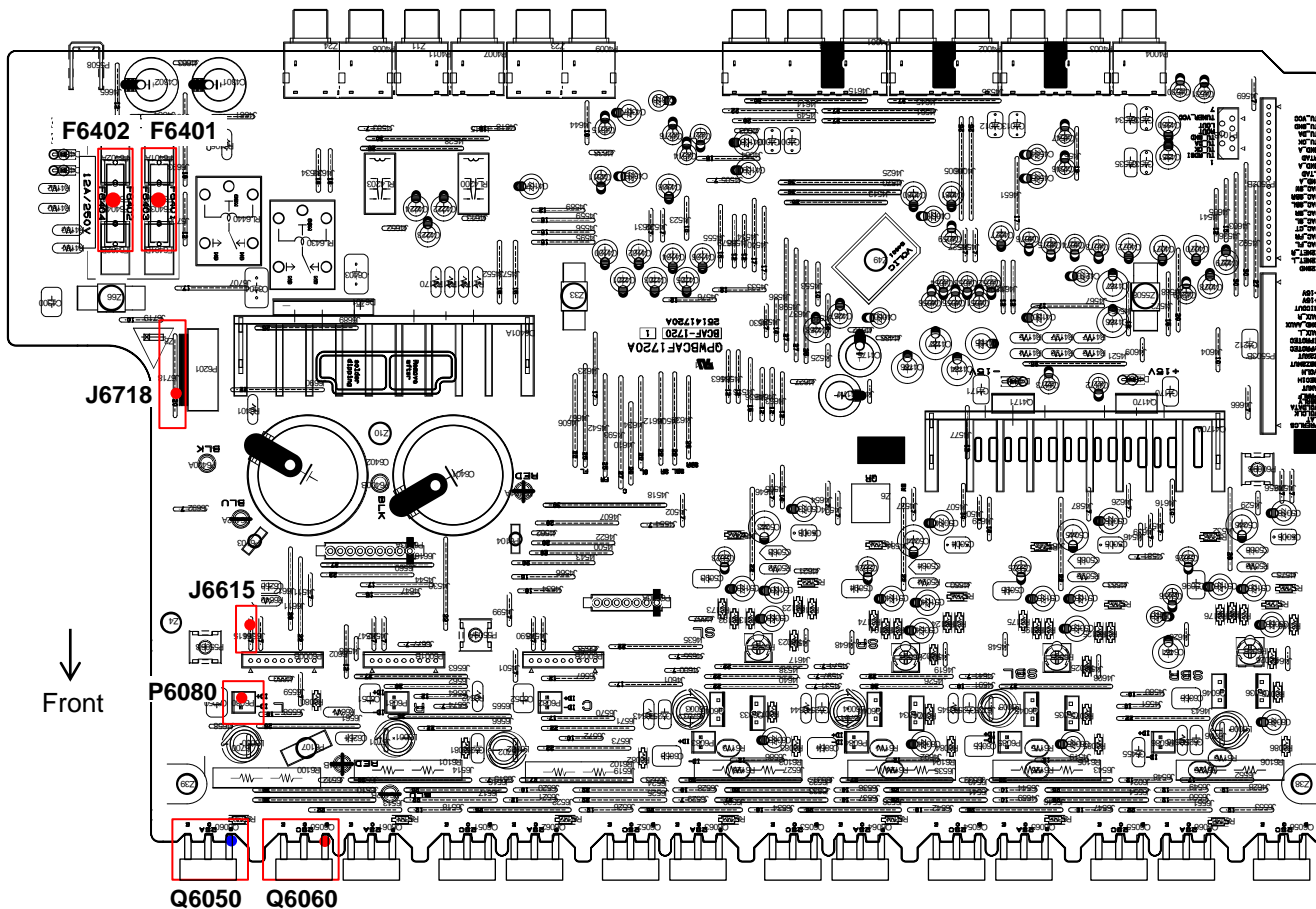
● Each voltage is shown as the reference value.  
● 各電圧は実測した標準値です

# Check Point (BAAF-1720)

# Trouble Shoot

## J6615, Q6050, Q6060, P6080

Input terminal : HDMI IN or OPT IN or ANALOG IN  
 Input signal(HDMI/OPT IN) : Test disc 1kHz 0dB  
 Audio format : LPCM, Dolby Digital(Otherwise, CD)  
 Input signal(ANALOG IN) : 1kHz 2Vrms  
 Master volume : 46

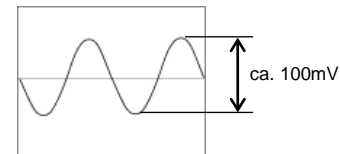


### J6718

Check voltage  
 ● : ca. +23V

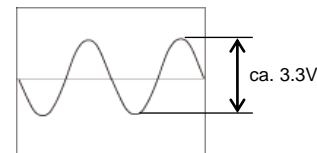
### J6615

Check signal



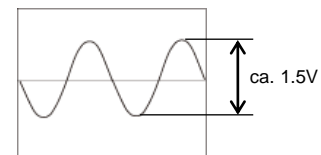
### Q6050, Q6060

Check signal  
 ● Q6050(base) :  
 ● Q6060(base) :



### P6080

Check signal



### F6401

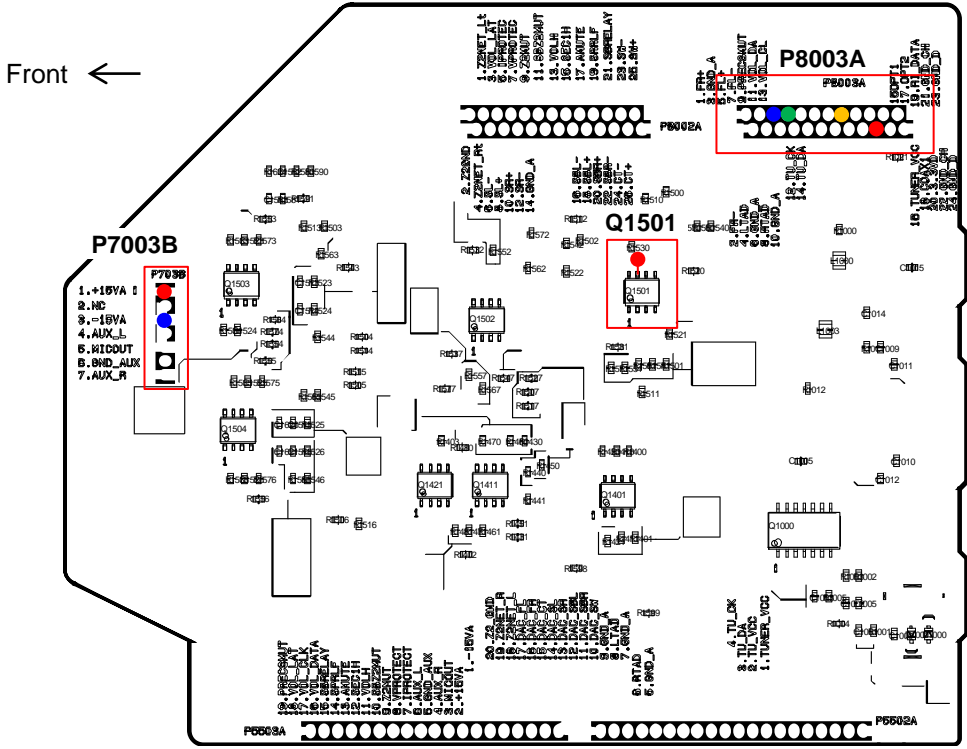
Check damage  
 ● Normal (OK) or blown (No good)

### F6402

Check damage  
 ● Normal (OK) or blown (No good)



● Each voltage is shown as the reference value.  
 ● 各電圧は実測した標準値です



**P7003B**  
 Check voltage  
 ● No.1 pin : +15V  
 ● No.3 pin : -15V

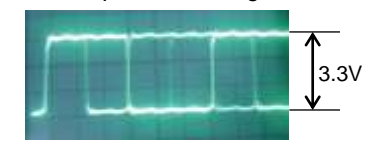
**P8003A**  
 Check voltage  
 ● No.20 pin : +3.3V

**P8003A**  
 Check voltage  
 ● No.5 pin : Check signal      ● No.7 pin : Check signal



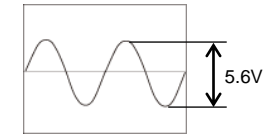
Input terminal : HDMI IN or OPT IN  
 Input signal(HDMI/ OPT IN) : Test disc 1kHz 0dB  
 Audio format : LPCM, Dolby Digital(Otherwise, CD)

**P8003A**  
 Check voltage  
 ● No.15 pin : Check signal



Input terminal : HDMI IN or OPT IN  
 Input signal(HDMI/ OPT IN) : Test disc 1kHz 0dB  
 Audio format : LPCM, Dolby Digital(Otherwise, CD)

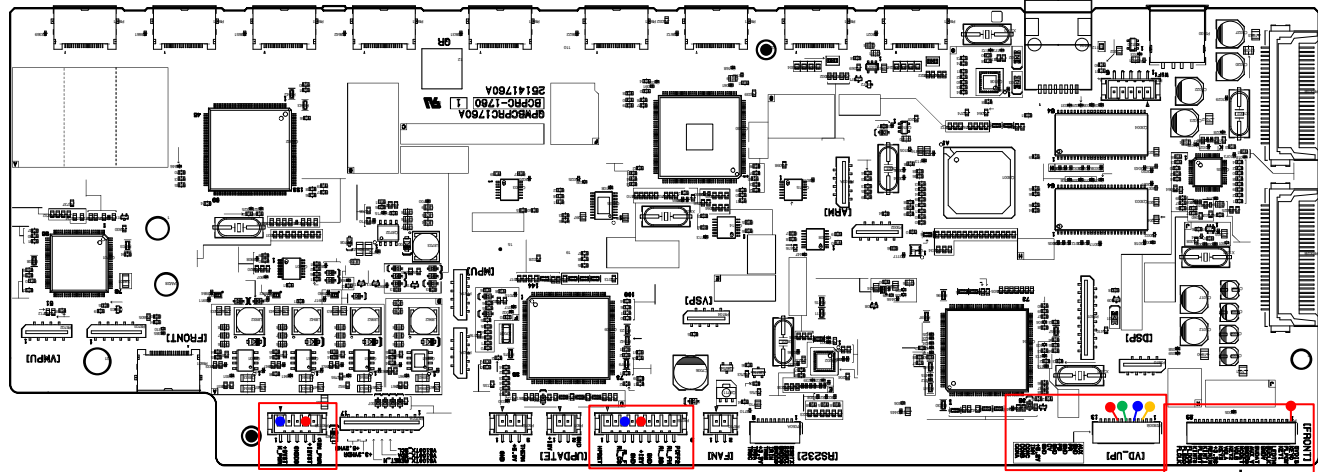
**Q1501**  
 Check voltage  
 ● No.7 pin : Check signal



Input terminal : HDMI IN or OPT IN  
 Input signal(HDMI/ OPT IN) : Test disc 1kHz 0dB  
 Audio format : LPCM, Dolby Digital(Otherwise, CD)



● Each voltage is shown as the reference value.  
 ● 各電圧は実測した標準値です

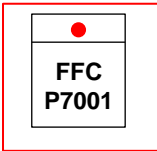


P9011B

P801B

P2800B

P701A



↓  
Front

**P801B**

Check voltage  
 ● No.5 pin : ca. +12V (Stand By), ca. +15V (Power On)

**P801B**

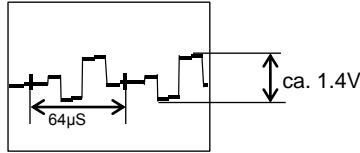
Check voltage  
 ● No.3 pin : ca. +3V

**P2800B**

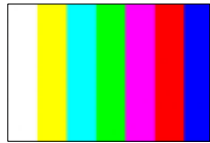
Check voltage  
 ● No.9 pin : ca. +5V

**P2800B**

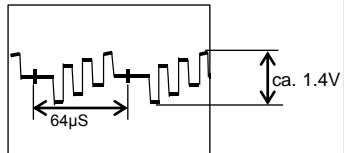
Check signal  
 ● No.3 pin : signal



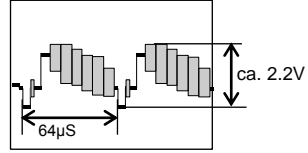
Input signal : Color bar(NTSC)



● No.5 pin : signal



● No.7 pin : signal



**P7001(FFC)**

● Check damage and connection  
 How to check  
 1.Disconnect the FFC from the socket.  
 2.Check the contacts of the FFC.

**P9011B**

Check voltage  
 ● No.4 pin : ca. +12V (Stand By), ca. +15V (Power On)

**P9011B**

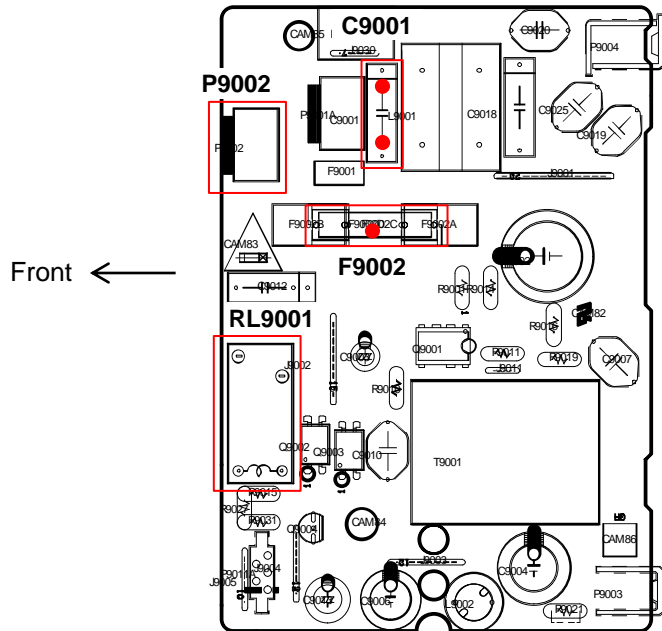
Check voltage  
 ● No.1 pin : ca. +3V

**P701A**

Check voltage  
 ● No.1 pin : ca. +5.2V

● Each voltage is shown as the reference value.  
 ● 各電圧は実測した標準値です





**C9001**  
 Check voltage  
 ● : AC100 ~ 240V (Power supply voltage)

**F9002**  
 Check damage  
 ● Normal (OK) or blown (No good)

**RL9001**  
 Check operation of a relay by sound.  
 No sound at all ----> No good

**P9002**  
 Check voltage  
 ● : AC100 ~ 240V (Power supply voltage)



● Each voltage is shown as the reference value.  
 ● 各電圧は実測した標準値です

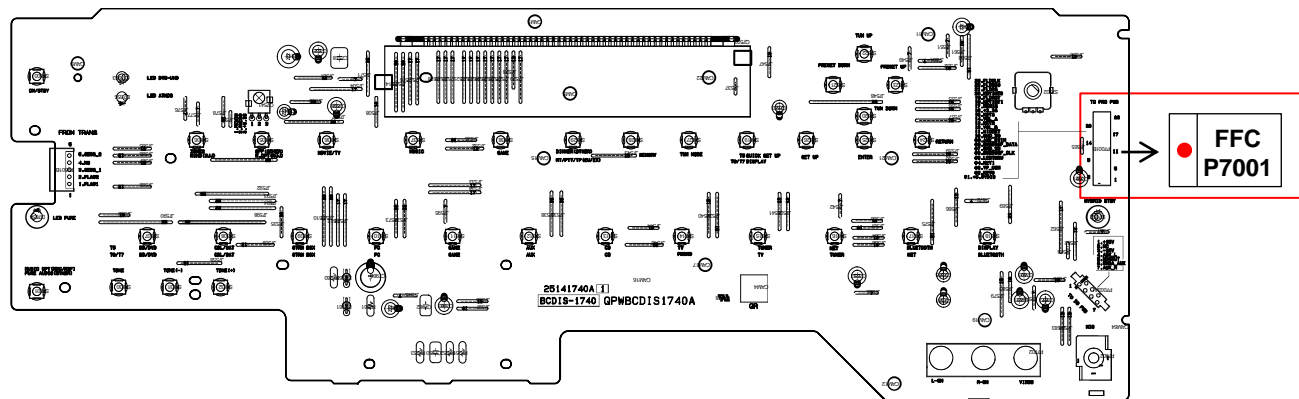


**P7001**

- Check damage and connection

How to check

1. Disconnect the FFC from the socket.
2. Check the contacts of the FFC.



Back

- Each voltage is shown as the reference value.
- 各電圧は実測した標準値です

# Overview

This model can be disassembled in the order shown below.

# Disassembly

TOP COVER

**FRONT PANEL**  
Refer to 「Front Panel Section」

PCB BADIS-1740  
BAETC-1745  
BAHDM-1770

**FAN**  
Refer to 「FAN Section」

FAN (Except TX-NR545)

**PROCESSOR & WIFI PCB**  
Refer to 「Processor & WiFi Section」

PCB BAPRC-1760  
BARF-1771 : TX-NR646/747  
BARF-1567 : TX-NR545  
WiFi & Bluetooth Comb Module

**VIDEO & TUNER PCB**  
Refer to 「Video & Tuner Section」

PCB BATRM-1754  
BARF-1731

**POWER SUPPLY & DIGITAL PCB**  
Refer to 「PowerSupply & Digital Section」

PCB BAPS-1743  
BADG-1742

**AMPLIFIER PCB**  
Refer to 「Amplifier Section」

PCB BAAF-1720  
BACLA-1746

Q6050~6056 / Q6060~Q6066

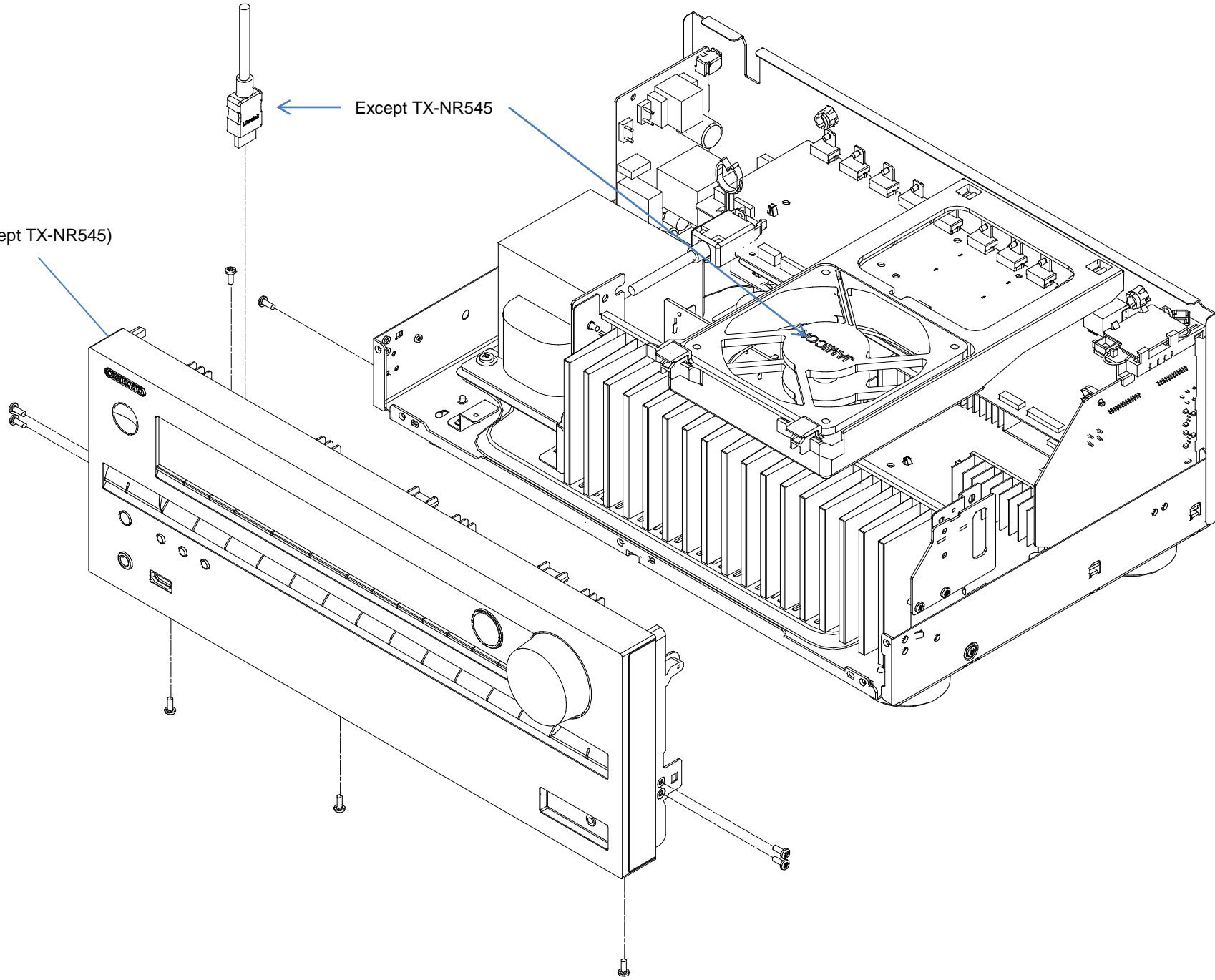
# Front Panel Section

# Disassembly

This is TX-NR646. TX-NR545/747 is same mostly structurally. Please refer to PANEL pages for detailed place by the terminal.

BADIS-1740  
BAETC-1745  
BAHDM-1770(Except TX-NR545)

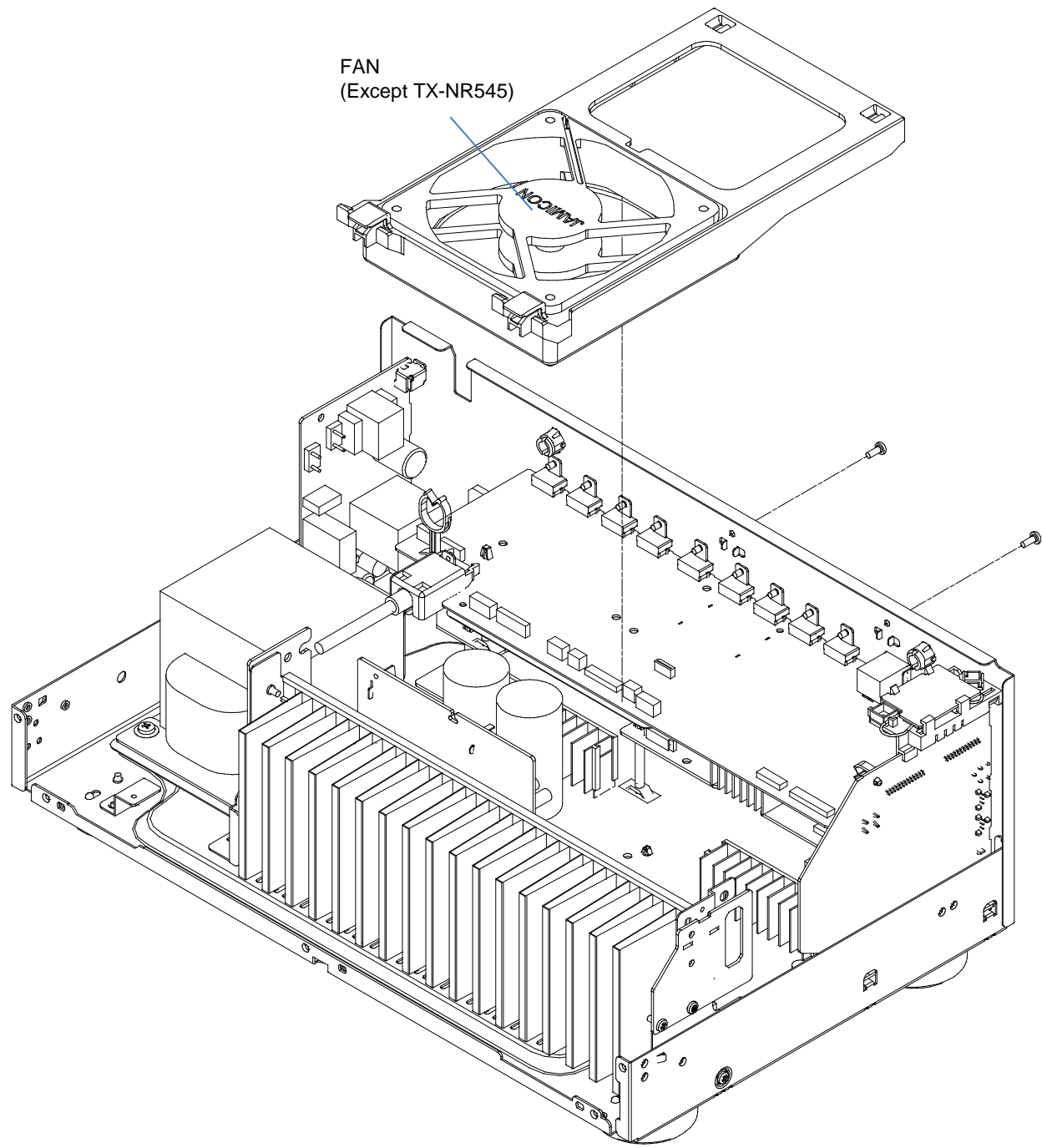
← Except TX-NR545



# FAN Section

This is TX-NR646. TX-NR545/747 is same mostly structurally. Please refer to PANEL pages for detailed place by the terminal.

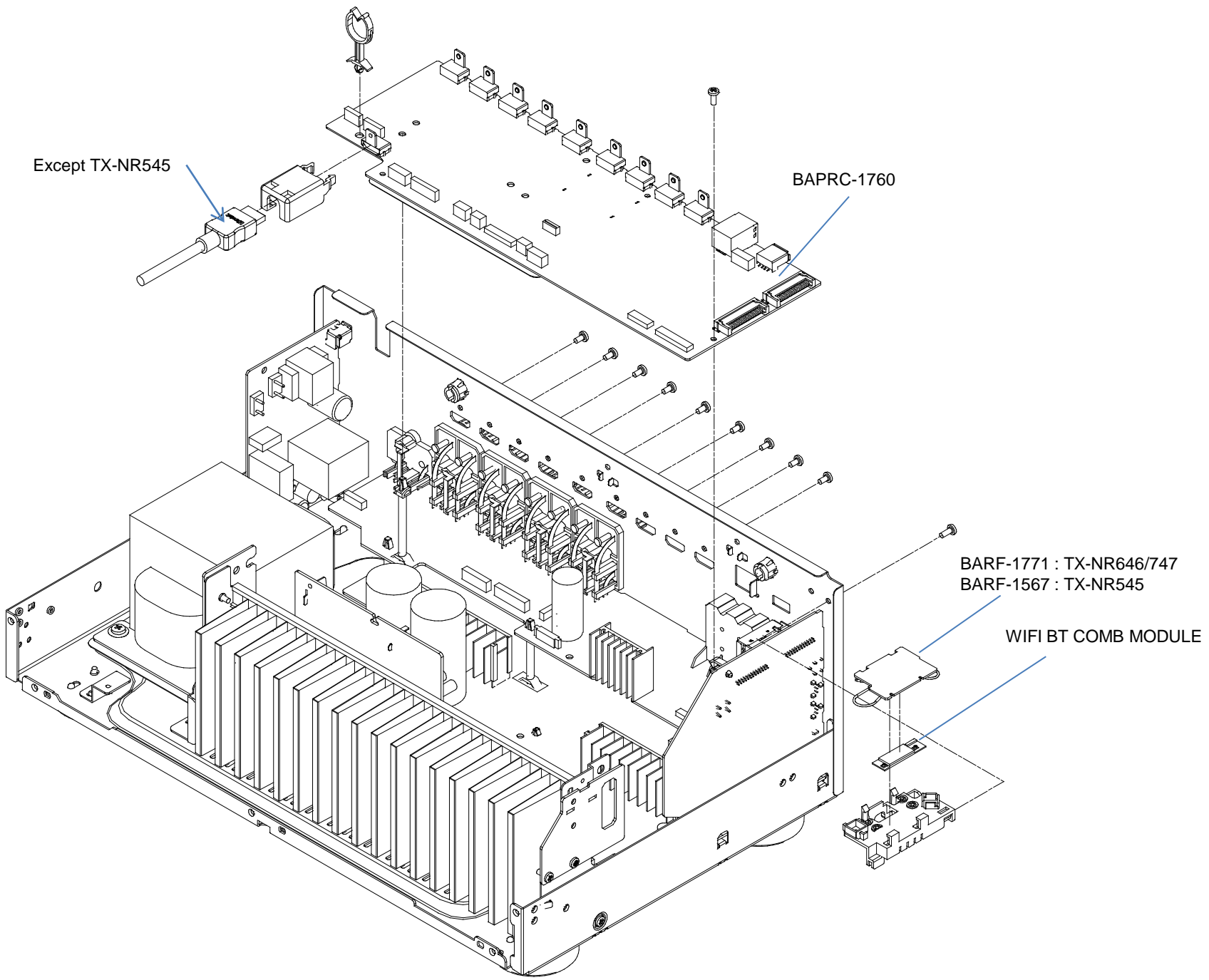
# Disassembly



# Processor & WiFi Section

This is TX-NR646. TX-NR545/747 is same mostly structurally. Please refer to PANEL pages for detailed place by the terminal.

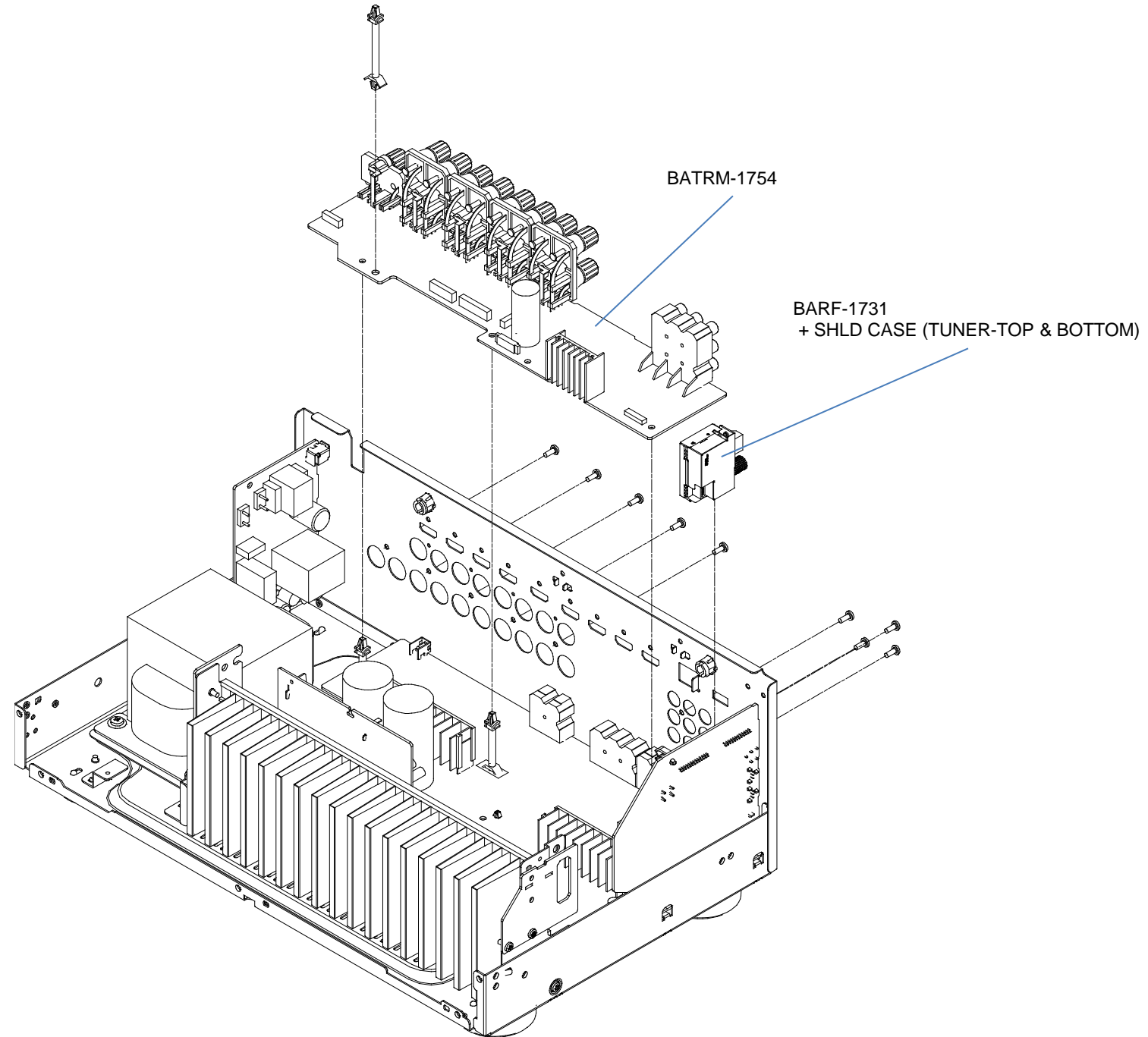
## Disassembly



# Video & Tuner Section

This is TX-NR646. TX-NR545/747 is same mostly structurally. Please refer to PANEL pages for detailed place by the terminal.

## Disassembly



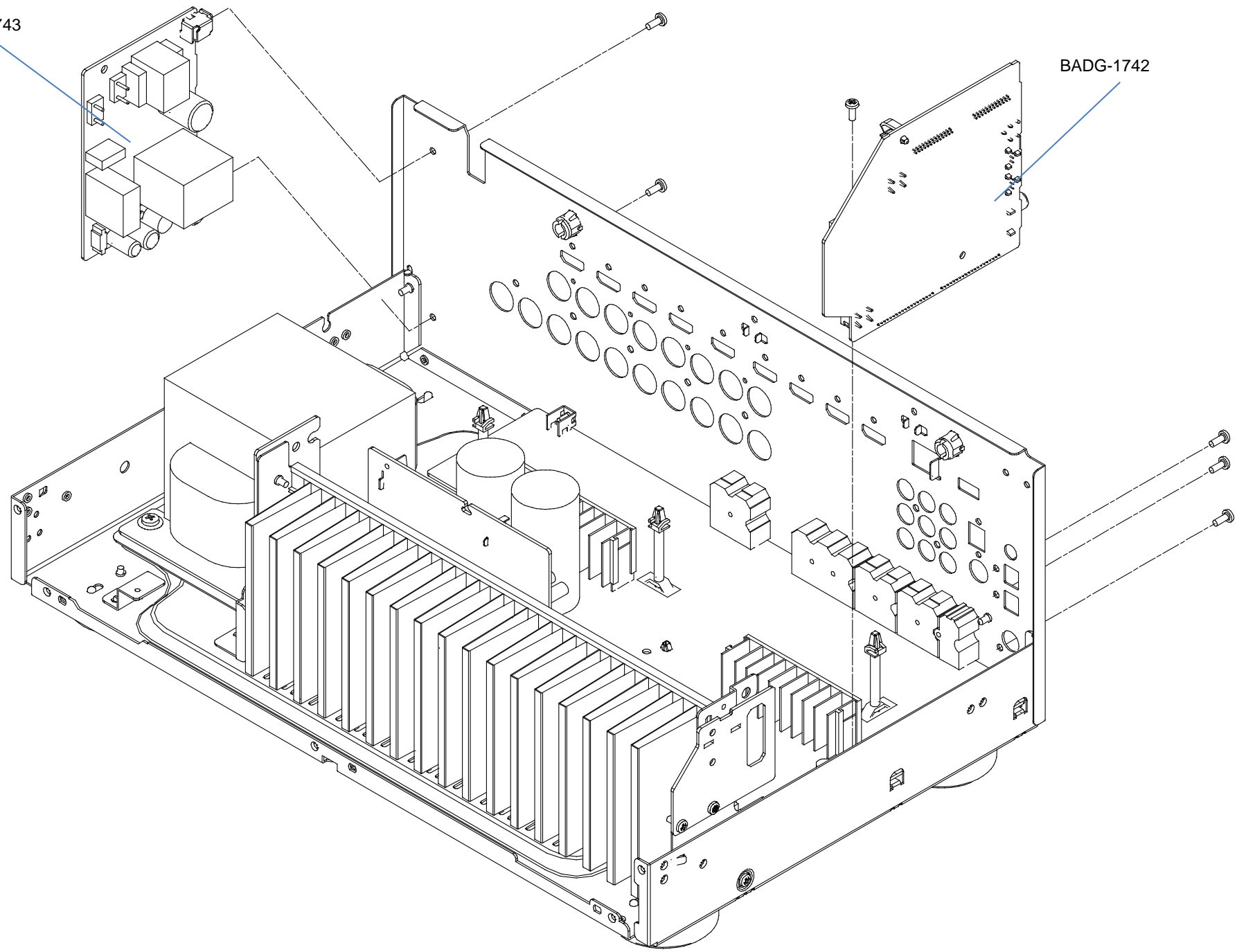
# Power Supply & Digital Section

This is TX-NR646. TX-NR545/747 is same mostly structurally. Please refer to PANEL pages for detailed place by the terminal.

## Disassembly

BAPS-1743

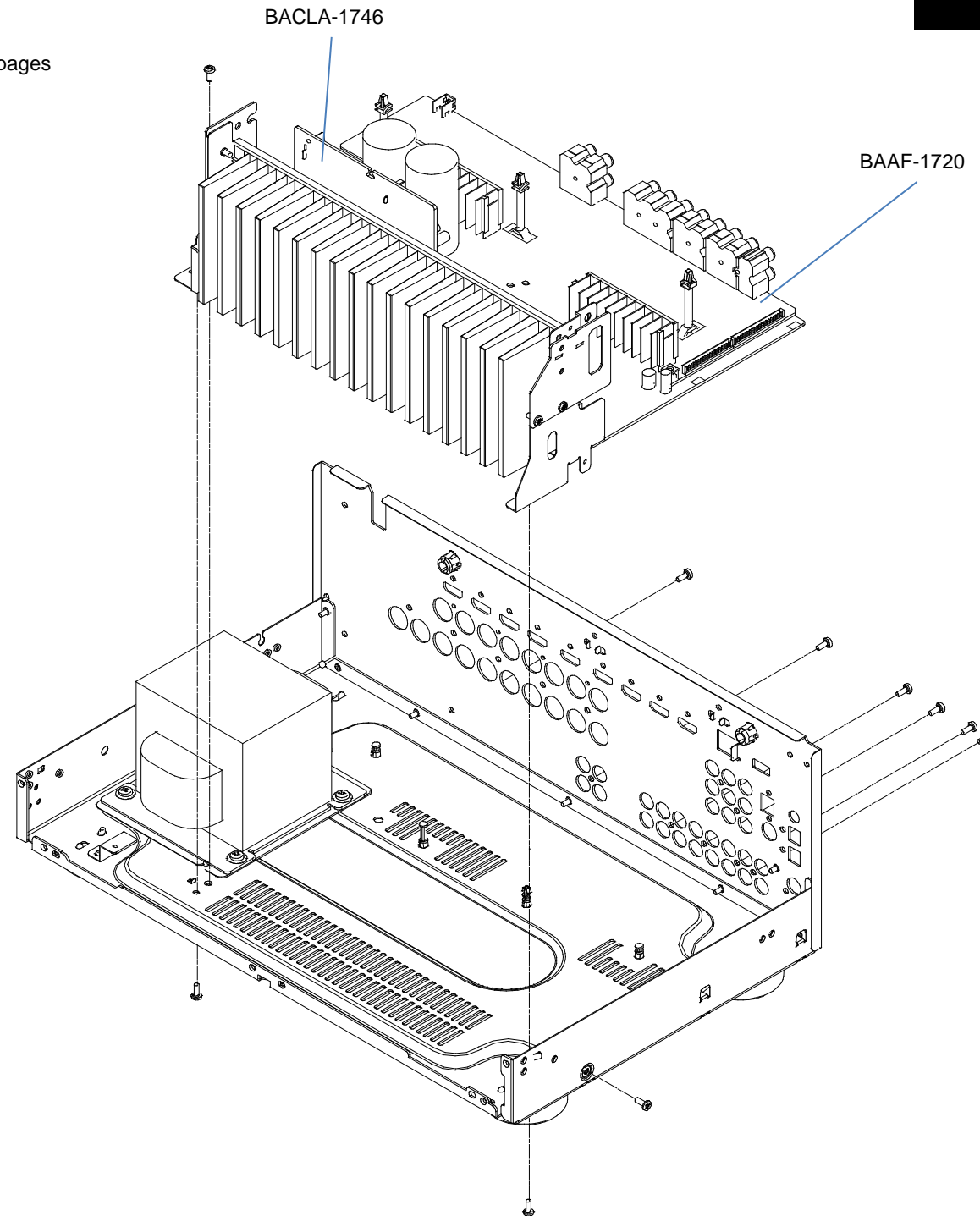
BADG-1742



# Amplifier Section - 1

This is TX-NR646. TX-NR545/747 is same mostly structurally. Please refer to PANEL pages for detailed place by the terminal.

## Disassembly

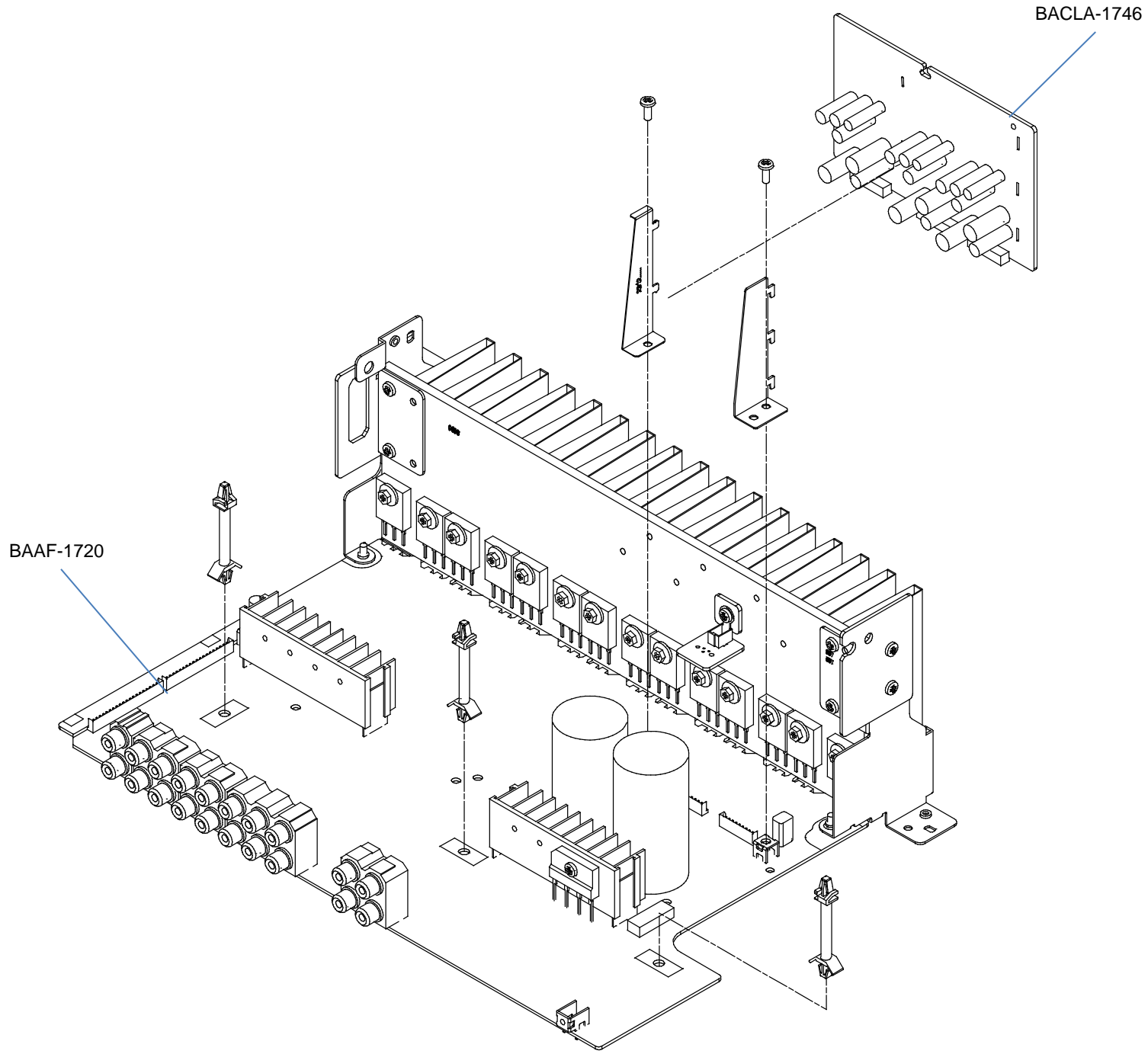




# Amplifier Section - 2

This is TX-NR646. TX-NR545/747 is same mostly structurally. Please refer to PANEL pages for detailed place by the terminal.

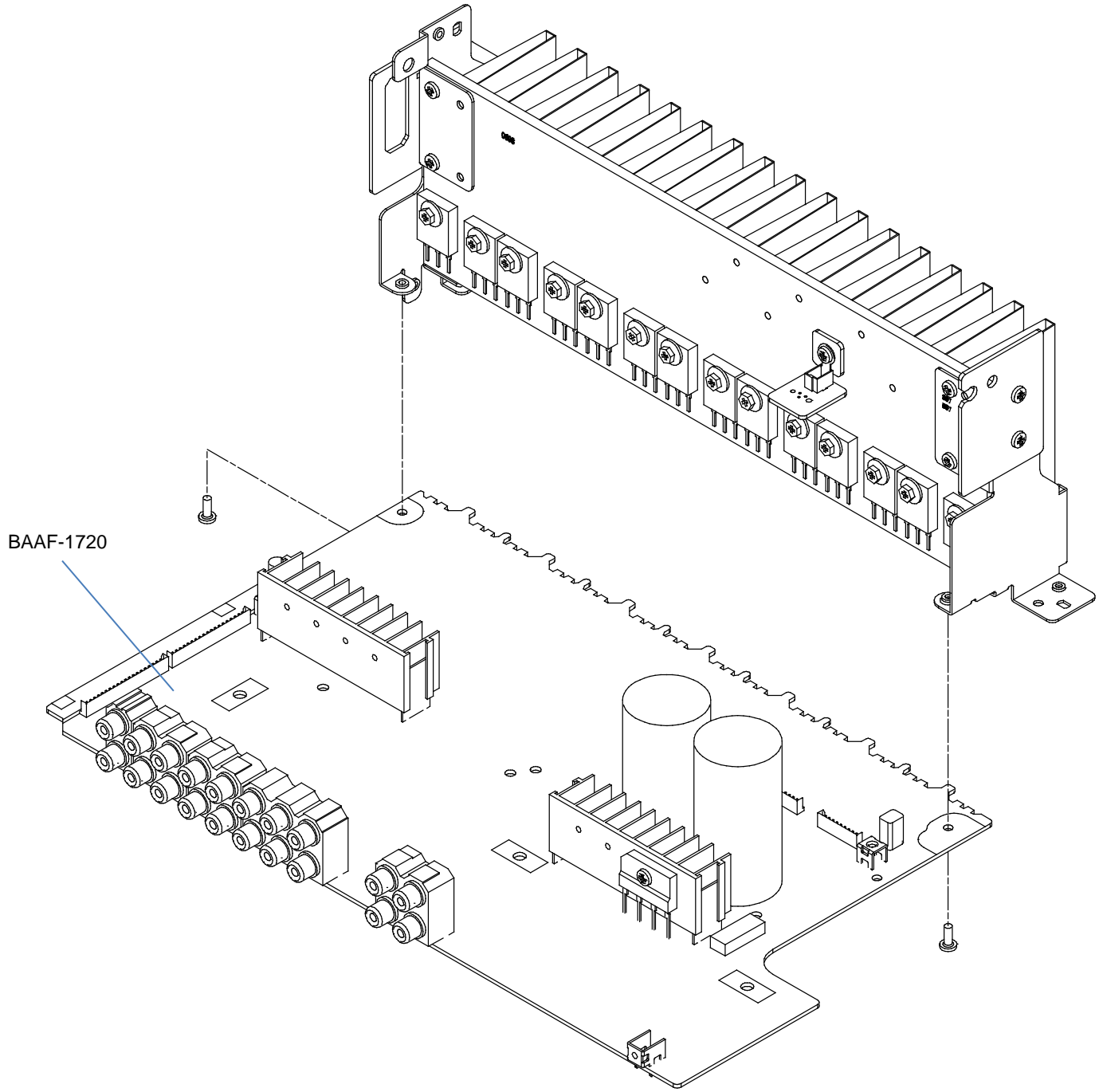
## Disassembly



# Amplifier Section - 3

This is TX-NR646. TX-NR545/747 is same mostly structurally. Please refer to PANEL pages for detailed place by the terminal.

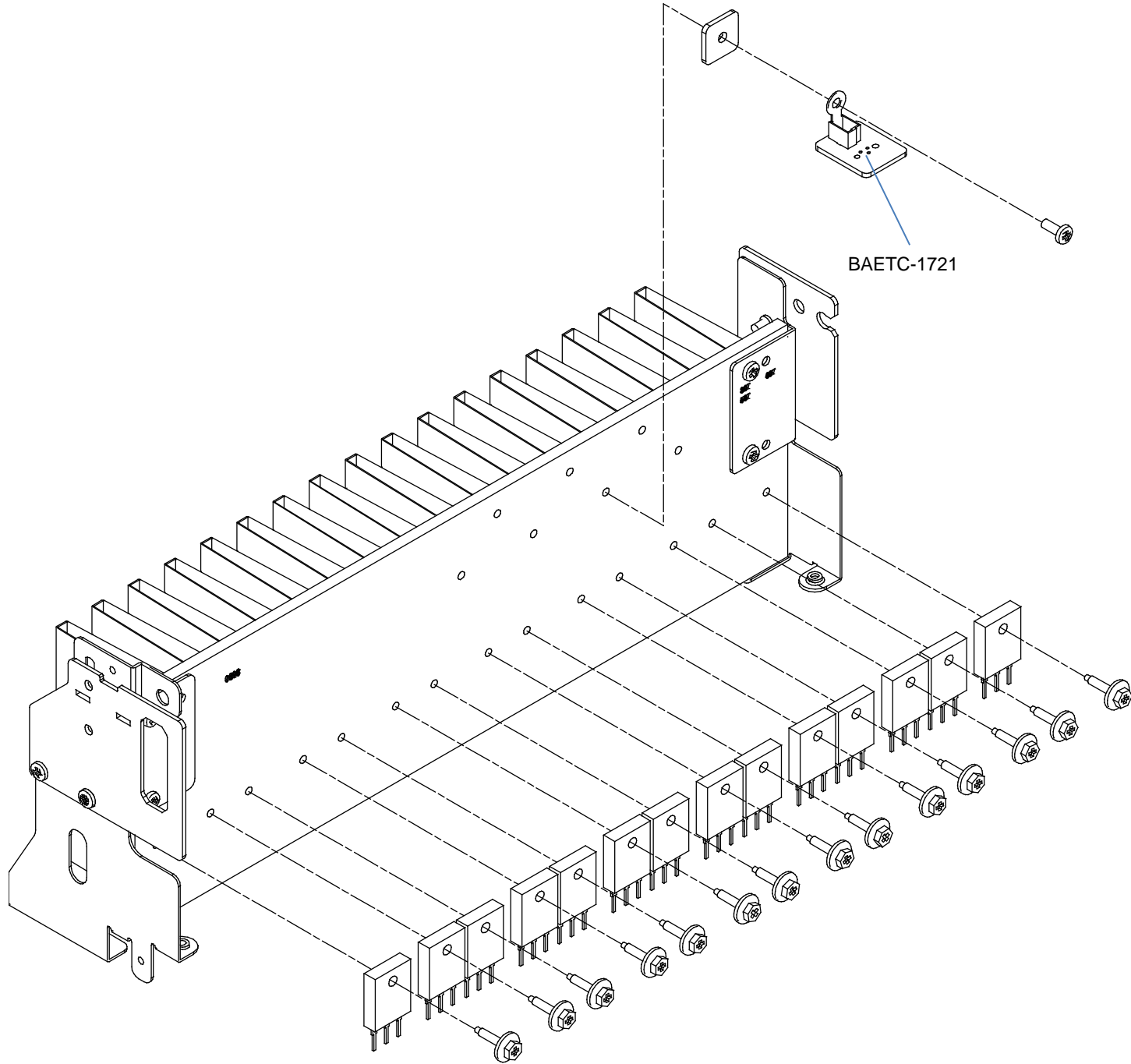
## Disassembly



# Amplifier Section - 4

This is TX-NR646. TX-NR545/747 is same mostly structurally. Please refer to PANEL pages for detailed place by the terminal.

## Disassembly



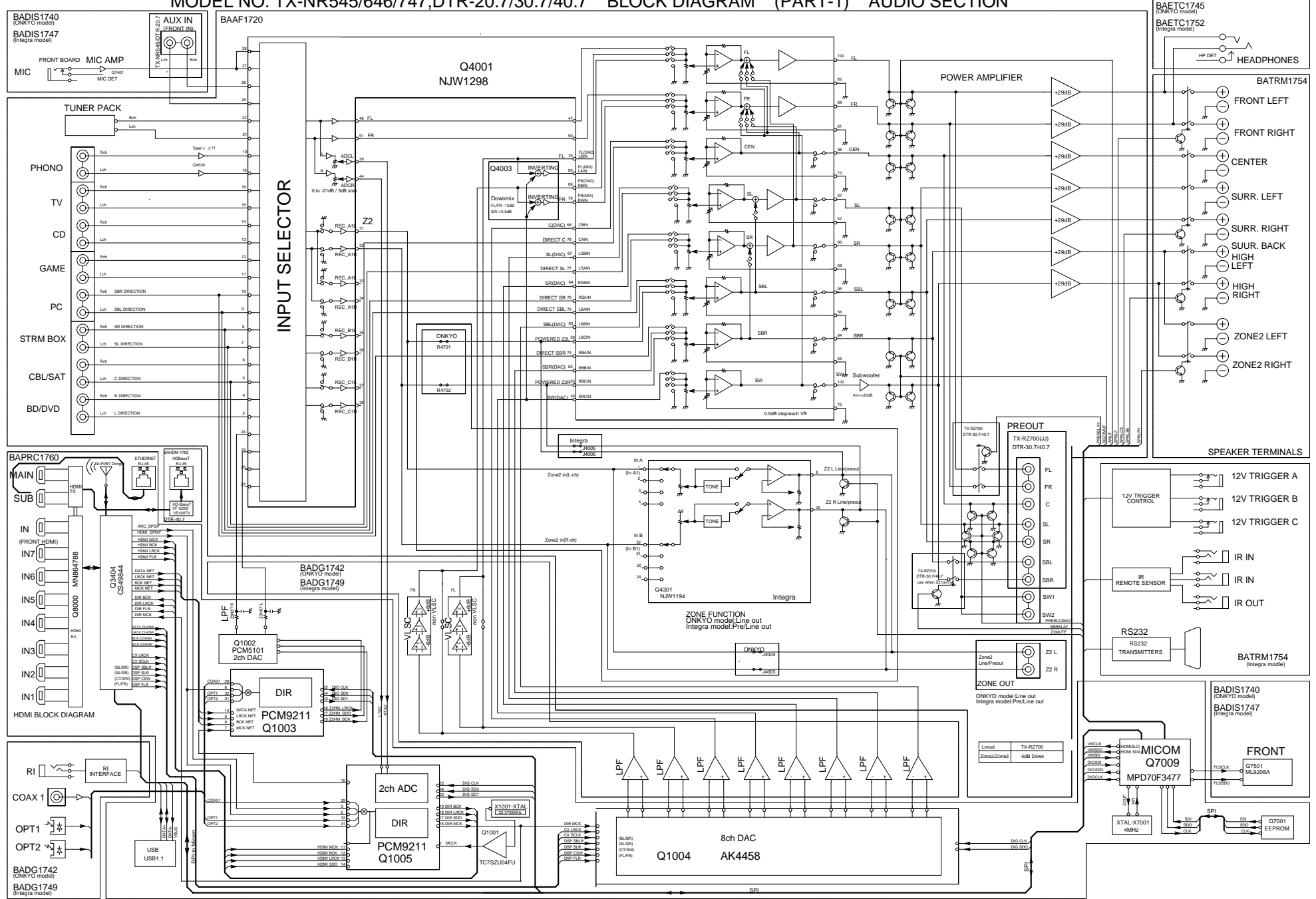
# Block Diagrams (Audio section)

Model Name	Abbreviated Model Name
TX-NR545	T5
TX-NR646	T6
TX-NR747	T7

Model Name	Abbreviated Model Name
DTR-20.7	D2
DTR-30.7	D3
DTR-40.7	D4

# Schematic Diagram

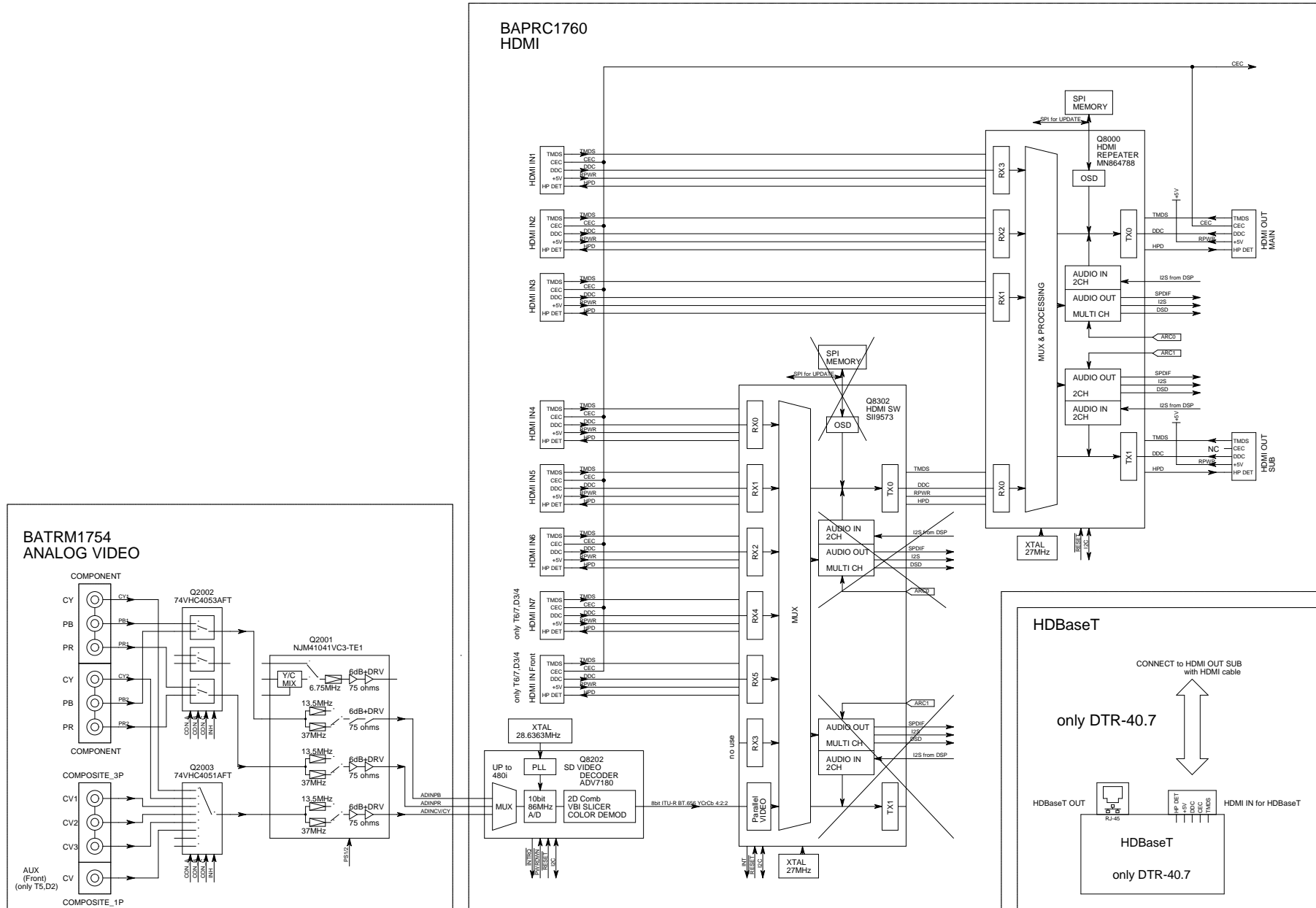
MODEL NO. TX-NR545/646/747, DTR-20.7/30.7/40.7 BLOCK DIAGRAM (PART-1) AUDIO SECTION



D  
C  
B  
A

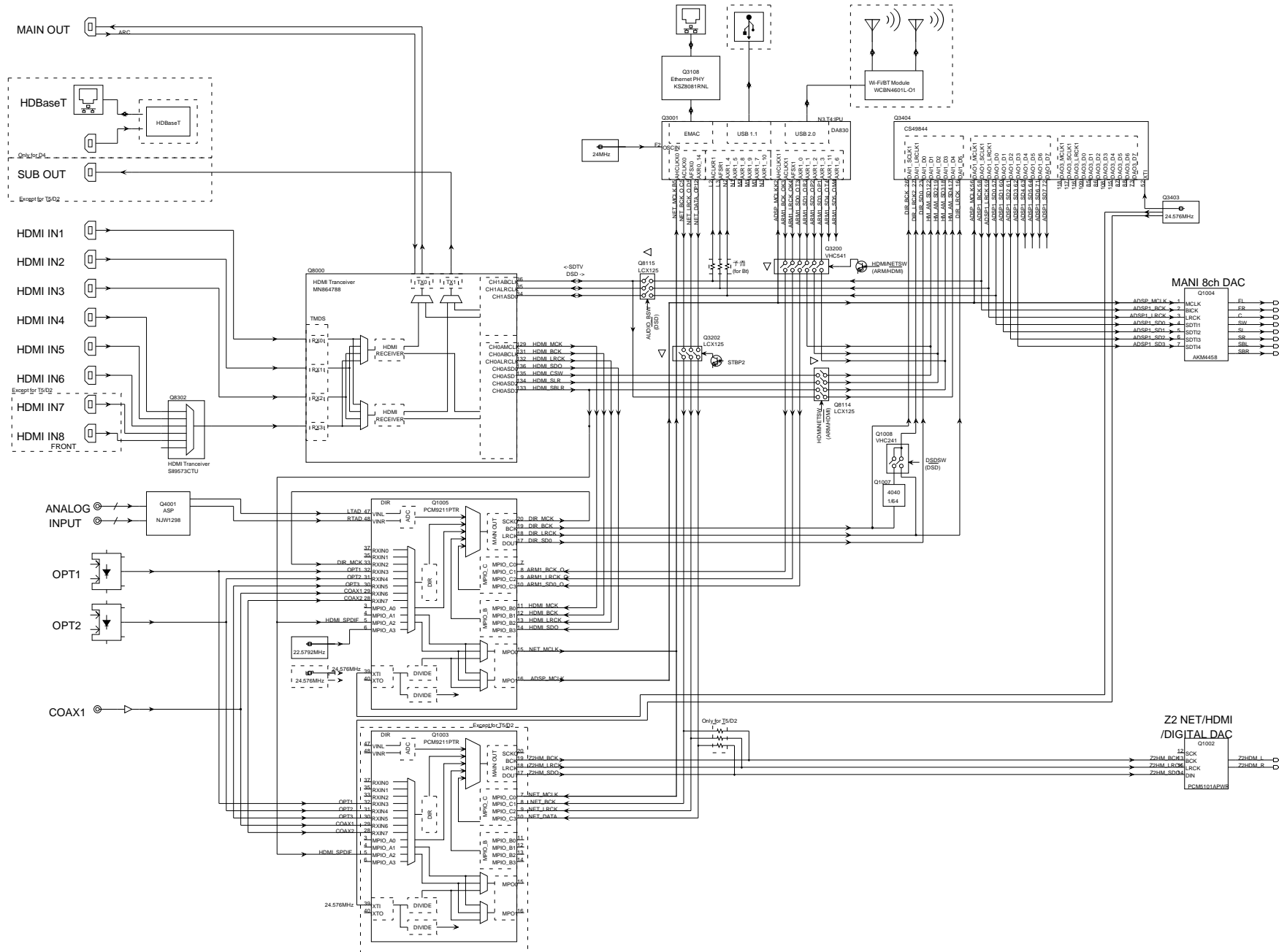
D  
C  
B  
A

Model No.TX-NR545/646/747,DTR-20.7/30.7/40.7 SCHEMATIC DIAGRAM (PART-2) BLOCK DIAGRAM(VIDEO)



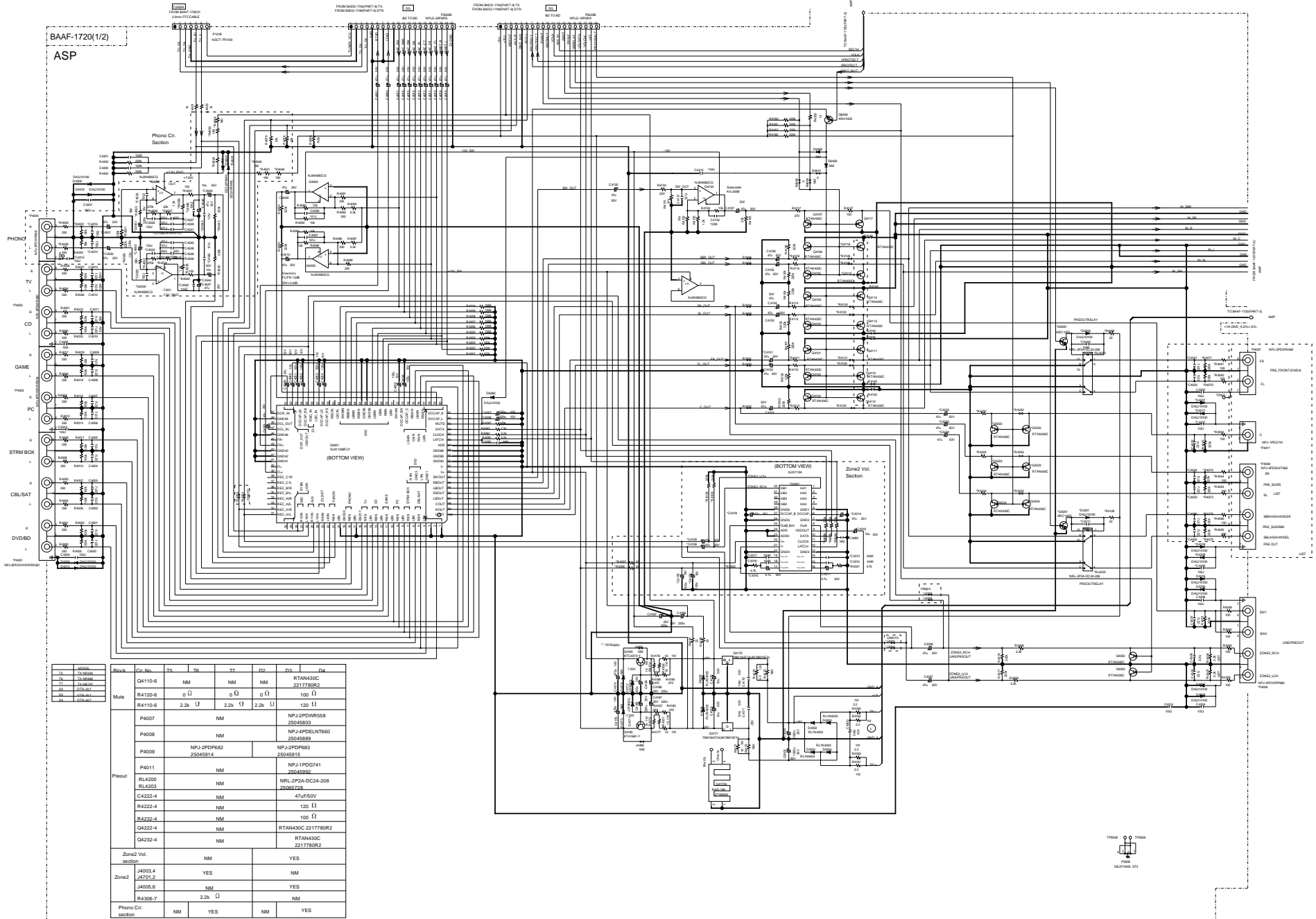
MODEL NO.TX-NR545/646/747,DTR-20.7/30.7/40.7

SCHEMATIC DIAGRAM (PART-3) BLOCK DIAGRAM(Digital Aud



MODELNO.TX-NR545/646/747,DTR-20.7/30.7/40.7

SCHEMATIC DIAGRAM (PART-4) ASP SECTION



Block	Qty. No.	TS	TL	TR	TP	TP3	TP4
Mux	Q4110-6	NM	NM	NM	NM	RTAN430C 221778092	
	S4120-6	0 Ω	0 Ω	0 Ω	0 Ω	120 Ω	
	S4110-6	2.2k Ω	2.2k Ω	2.2k Ω	2.2k Ω	120 Ω	
Phout	P4007	NM				NPJ-2PDR658 25045803	
	P4008	NM				NPJ-4PDELN760 25045809	
	P4009	NPJ-2PDR682 25045814				NPJ-2PDR683 25045815	
	P4011	NM				NPJ-1PD0741 25045802	
	RL4200					NRL-2PCA-DC24-208 25055728	
	RL4203						
	C4222-4					47μF50V	
	R4222-4					120 Ω	
	R4223-4					120 Ω	
	Q4224-4					RTAN430C 221778092	
Q4232-4					RTAN430C 221778092		
Zone2 Vol. section		NM				YES	
	J4005.4		YES			NM	
Zone2	J4701.2					YES	
	J4005.6					YES	
	R4306-7					2.2k Ω	
Phono Cir. section		NM		YES		NM	YES



MODELNO.TX-NR545/646/747,DTR-20.7/30.7/40.7

SCHEMATIC DIAGRAM (PART-5)

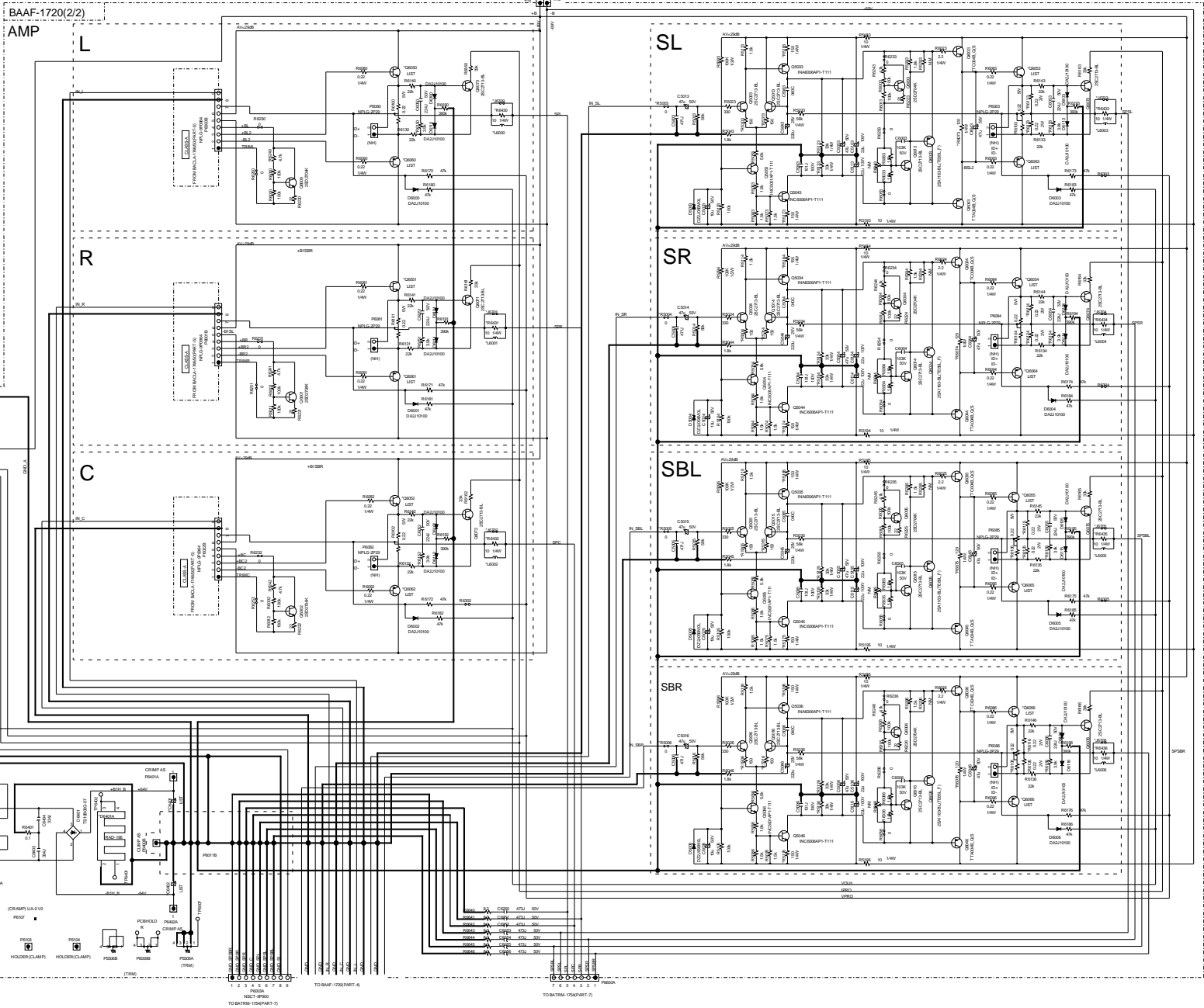
AMP SECTION

TS	T6	T7	D2	D3	D4
Block Cap	6800u/63V	8200u/63V	10000u/71V	10000u/63V	10000u/71V
Power Tr	2SC5198	2SC5242	2SC5198	2SC5242	2SC5242
PROTECT	2SA1941	2SA1962	2SA1941	2SA1962	2SA1962
R6150-06	3.9k	2.2k	3.9k	2.2k	2.2k
R5050-06	8.2k	5.6k	8.2k	5.6k	5.6k
R5123-06	150	33	150	33	33
R5133-06	150	220	150	220	220
R5203-06	33k	39k	33k	39k	39k
R6073-76	120	150	120	150	150
R5000-06		0		2.2k	2.2k

Reference	Rating	SN of Label
T5/D2	F6403, F6404 10A 25V	2936241
T6/D3	F6401, F6402 12A 50V	---
T7/D4	F6401, F6402 15A 50V	2936242

F6401-F6404 Rating of Fuse  
F6401E-F6404E SN of Fuse Label

Reference	Rating	SN of Label
T5/D2	F6403, F6404 10A 25V	2936241
T6/D3	F6401, F6402 12A 50V	---
T7/D4	F6401, F6402 15A 50V	2936242



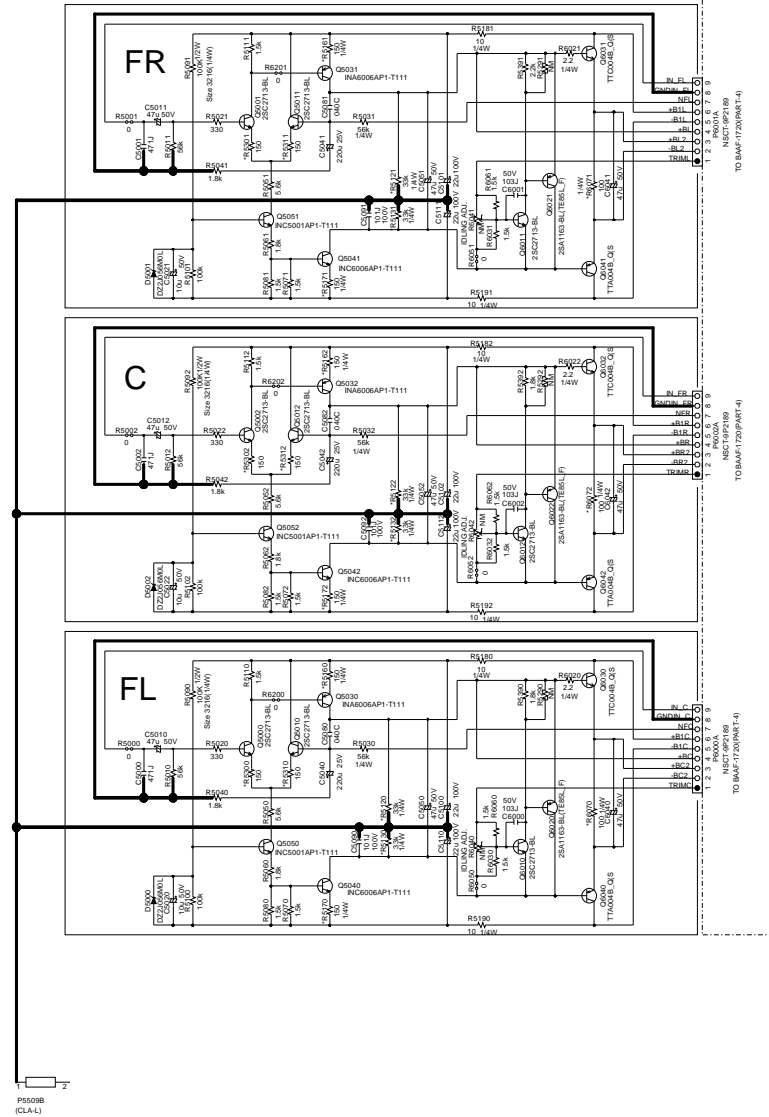


MODEL NO. TX-NR545/646/747, DTR-20.7/30.7/40.7 SCHEMATIC DIAGRAM(PART-5)

AMP SECTION

BACLA-1746 TX-NR545/646/747  
BACLA-1753 DTR-20.7/30.7/40.7

CLASS A



NSCT9P2189  
TO BAMP-1720(PART-4)  
1 2 3 4 5 6 7 8 9

NSCT9P2189  
TO BAMP-1720(PART-4)  
1 2 3 4 5 6 7 8 9

NSCT9P2189  
TO BAMP-1720(PART-4)  
1 2 3 4 5 6 7 8 9

R5008  
(CLA-L)

MODEL NO. TX-NR545/646/747, DTR-20.7/30.7/40.7 SCHEMATIC DIAGRAM (PART-6) PS SECTION

THE COMPONENTS IDENTIFIED MARK  $\Delta$  ARE CRITICAL FOR SAFETY, REPLACE ONLY WITH PART NUMBER SPECIFIED.  
 VOLTAGE (MEASURED WITH VOLT METER) IS DC VOLTAGE. (NO INPUT SIGNAL)  
 ELECTROLYTIC CAPACITORS (  $\text{E}$  ) ARE IN  $\mu\text{V}$ .  
 ALL CAPACITORS ARE IN  $\text{pF}/50\text{V}$  UNLESS OTHERWISE NOTED.  
 EX) 030  $\rightarrow$  3pF, 330  $\rightarrow$  33pF, 331  $\rightarrow$  330pF, 333  $\rightarrow$  0.033 $\mu\text{F}$   
 CIRCUIT IS SUBJECT TO CHANGE FOR IMPROVEMENT.

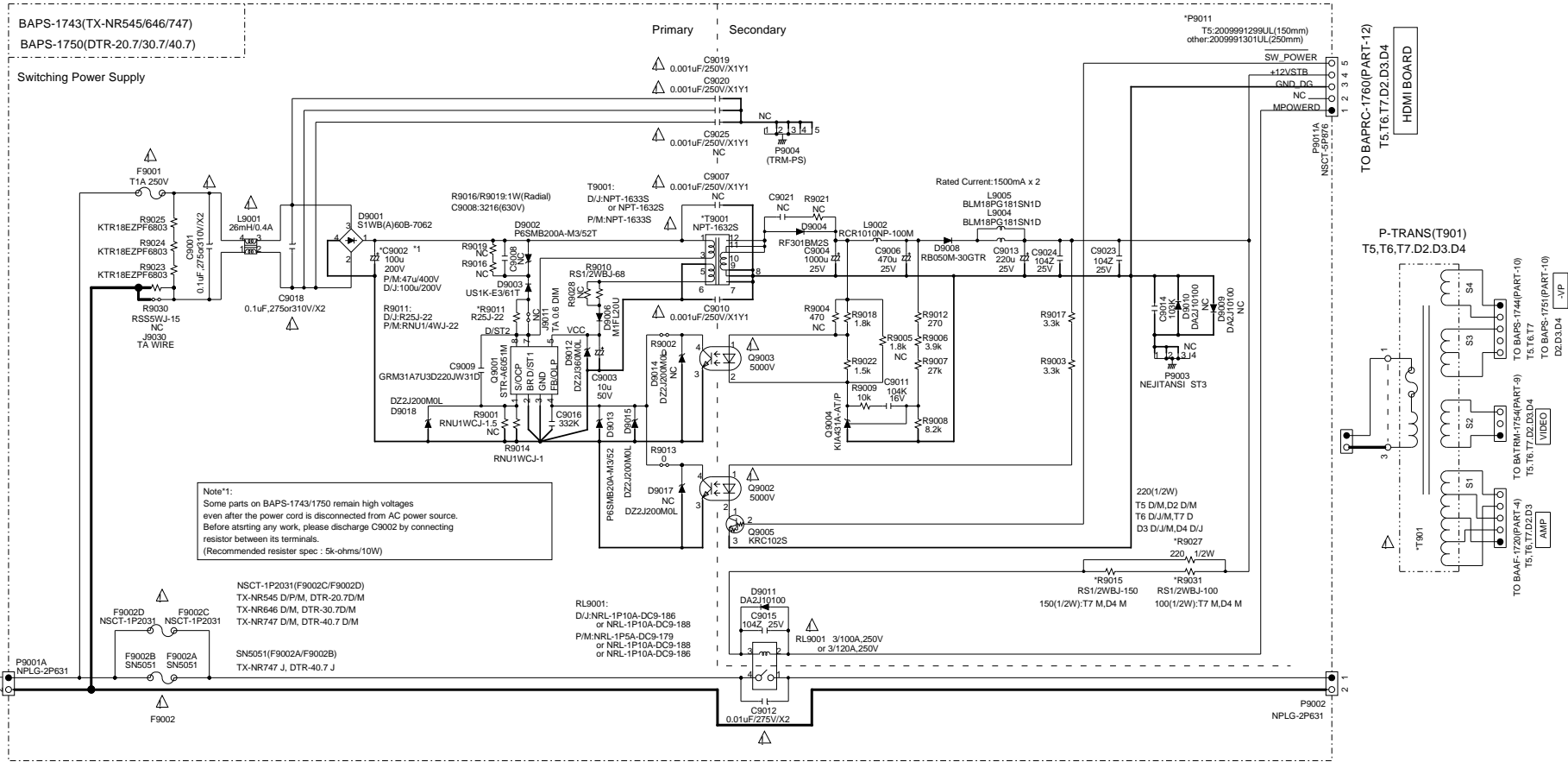
$\Delta$  印は火災、感電の危険に關する部品のみ、必ず指定部品を使用の事。  
 電圧表示は無信号時に測定した直流電圧を示す。  
 記入なき電解コンデンサの単位は $\mu\text{F}/50\text{V}$ である。  
 記入なきコンデンサの単位は $\text{pF}/50\text{V}$ である。  
 例) 030  $\rightarrow$  3pF, 330  $\rightarrow$  33pF, 331  $\rightarrow$  330pF, 333  $\rightarrow$  0.033 $\mu\text{F}$   
 本配線図は基本配線図につき性能改善等により予告なく変更する事がある。

CAUTION  
 FOR CONTINUED PROTECTION AGAINST FIRE HAZARD,  
 REPLACE ONLY WITH FUSE OF SAME TYPE AND RATING INDICATED.

ATTENTION  
 AFIN D'ASSURER UNE PROTECTION PERMANENTE CONTRE LES RISQUES D'INCENDIE,  
 REMPLACER UNIQUEMENT PAR UN FUSIBLE DE MEME TYPE ET CALIBRATION COMME INDIQUE.

THIS SYMBOL LOCATED NEAR THE FUSE INDICATES THAT THE FUSE USED IS SLOW OPERATING TYPE  
 FOR CONTINUED PROTECTION AGAINST FIRE HAZARD, REPLACE WITH SAME TYPE FUSE.  
 RATING REFER TO THE MAKING ADJACENT TO THE SYMBOL.

CE SYMBOLE INDIQUE QUE LE FUSIBLE UTILISE EST A LENT, E POUR UNE PROTECTION PERMANENT,  
 UTILISER QUE DES FUSIBLES DE MEME TYPE.  
 CE DERNIER EST INDIQUE LA QU LE PRESENT SYMBOLE EST APPOSE.



Note\*1:  
 Some parts on BAPS-1743/1750 remain high voltages  
 even after the power cord is disconnected from AC power source.  
 Before atsting any work, please discharge C9002 by connecting  
 resistor between its terminals.  
 (Recommended resister spec : 5k-ohms/10W)

MODEL	TYPE	AC
T5	TX-NR545	120Vac,60Hz
T6	TX-NR646	230Vac,50HZ
T7	TX-NR747	220-240Vac,50/60Hz
D2	DTR-20.7	100Vac,50/60Hz
D3	DTR-30.7	
D4	DTR-40.7	

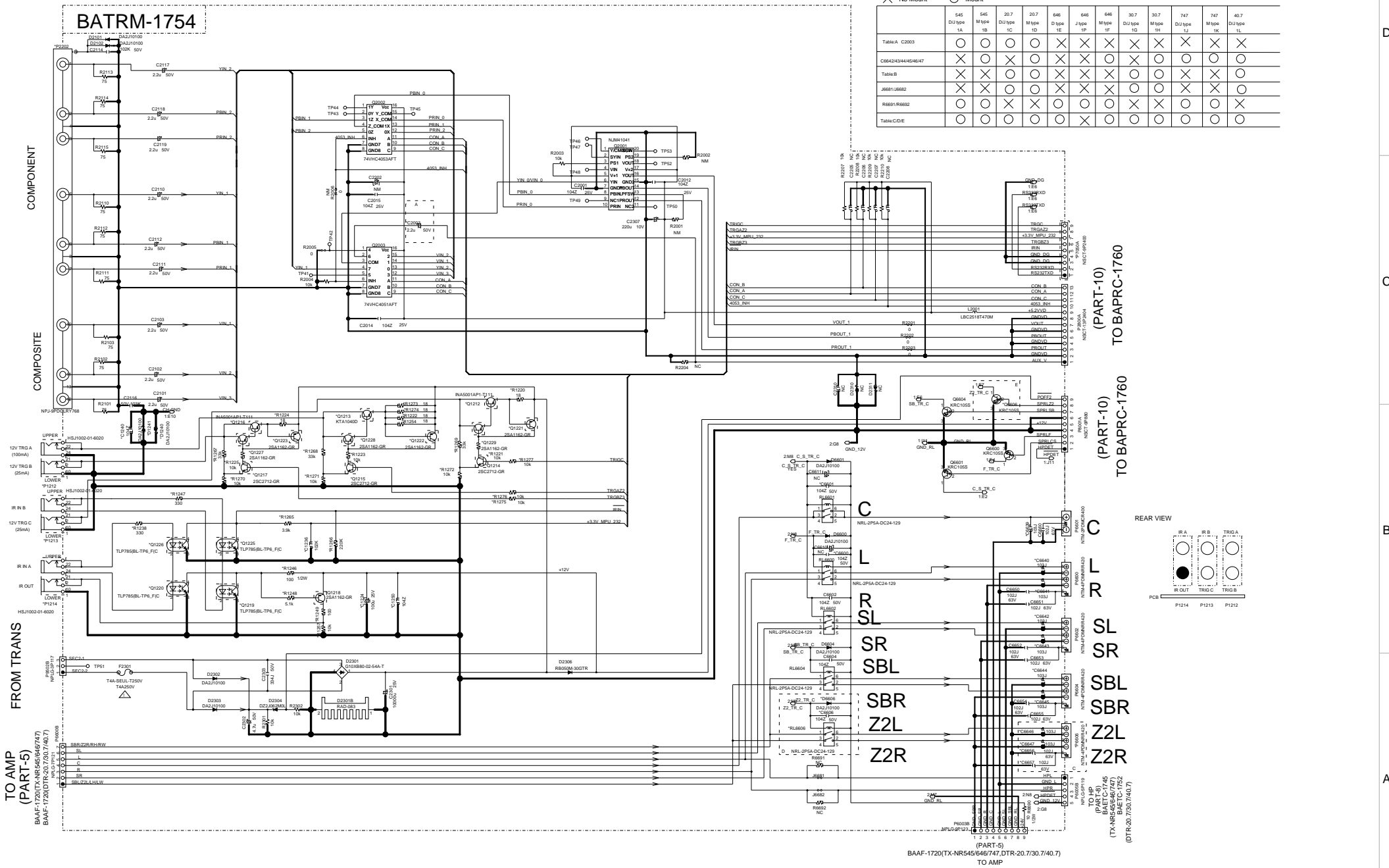
F9002 Rating of Fuse			
F9002E SN of Fuse Label			
TYPE	T5/D2	T6/D3	T7/D4
D	8A 125V 29360842	10A 125V	10A 125V
P	T4L250V 29361732A	---	---
M	T4L250V 29361732A	T5AL250V 29361938	T5AL250V 29361938
J	---	12A 125V 29382136	---

T901 Rating			
TYPE	T5/D2	T6/D3	T7/D4
D	NPT-1656D	NPT-1651D	NPT-1652D
M	NPT-1650M	NPT-1651M	NPT-1652M
J	---	NPT-1651J	---

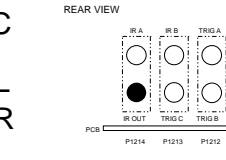
MODEL No. TX-NR545/646/747, DTR-20.7/30.7/40.7

SCHEMATIC DIAGRAM(PART-7) VIDEO/SPOUT/12VTRG SECTION

	No Mount		Mount												
	545	546	20.7	30.7	40.7	646	646	646	30.7	30.7	747	747	40.7		
	DJ type 1A	M type 1B	DJ type 1C	M type 1D	D type 1E	J type 1F	M type 1F	DJ type 1G	M type 1H	DJ type 1J	M type 1K	DJ type 1L			
Table A C2003	○	○	○	○	×	×	×	×	×	×	×	×	×		
Table B	×	×	×	×	×	×	×	×	×	×	×	×	×		
Table C/D/E	○	○	○	○	○	○	○	○	○	○	○	○	○		



BAAF-1720(TX-NR545/646/747, DTR-20.7/30.7/40.7) TO AMP



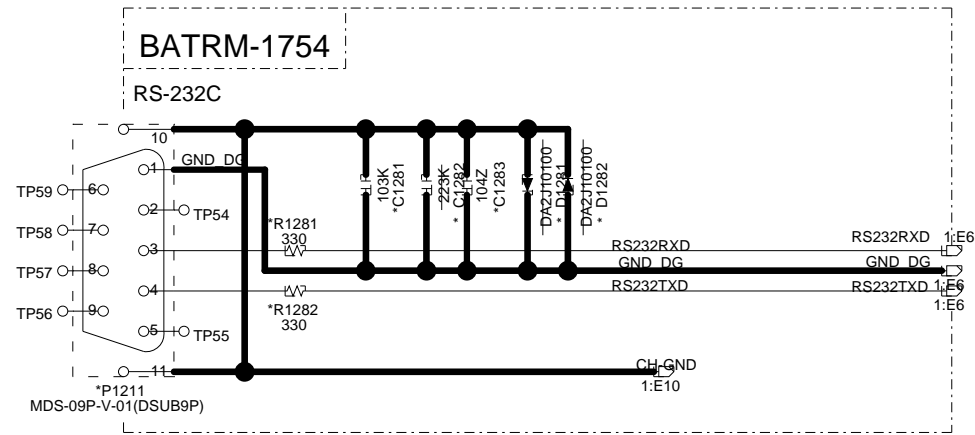
(PART-10) TO BAPRC-1760

(PART-10) TO BAPRC-1760

(PART-5) TO AMP  
(TX-NR545/646/747, DTR-20.7/30.7/40.7)

(PART-5) TO AMP

Model No.DTR-20.7/30.7/40.7 SCHEMATIC DIAGRAM(PART-7) RS-232C SECTION



MODEL NO. TX-NR545/646/747 SCHEMATIC DIAGRAM (PART-8) DISPLAY SECTION

BADIS-1740

DISPLAY

\*Reference No. Allocation:7600-7999

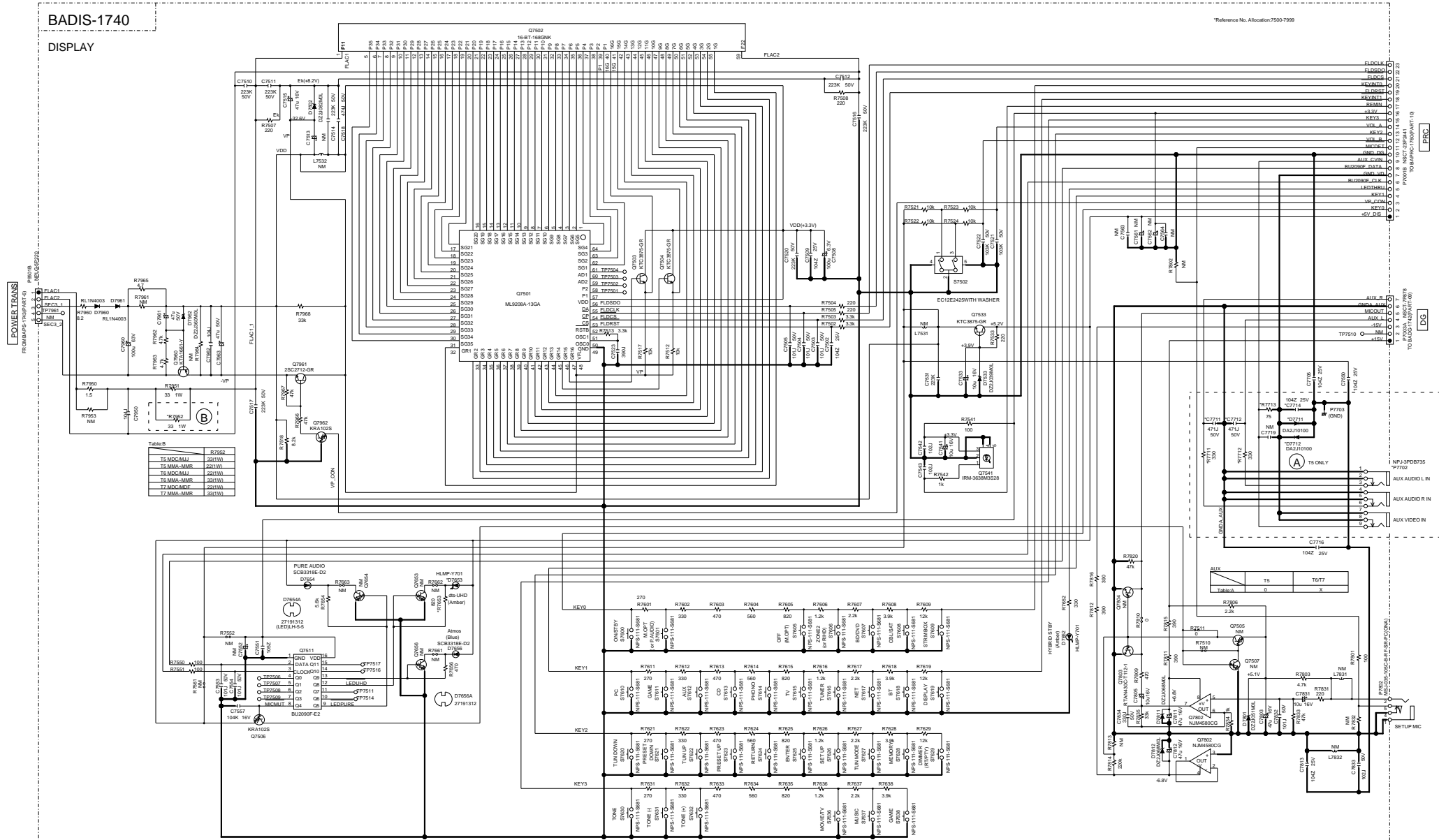
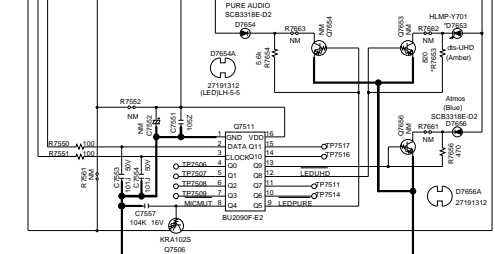


Table B

T5 MDC-M/M	R7962
T5 MMA-MMR	Z11(W)
T6 MDC-M/M	Z11(W)
T6 MMA-MMR	Z11(W)
T7 MDC-M/M	Z11(W)
T7 MMA-MMR	Z11(W)



MODEL	T5	T6	T7
TX-NR545			
TX-NR646			
TX-NR747			

MODEL	T5	T6	T7
T5 MDC-M/M	PC	PC	PC
T5 MMA-MMR	PC	PC	PC
T6 MDC-M/M	PC	PC	PC
T6 MMA-MMR	PC	PC	PC
T7 MDC-M/M	PC	PC	PC
T7 MMA-MMR	PC	PC	PC

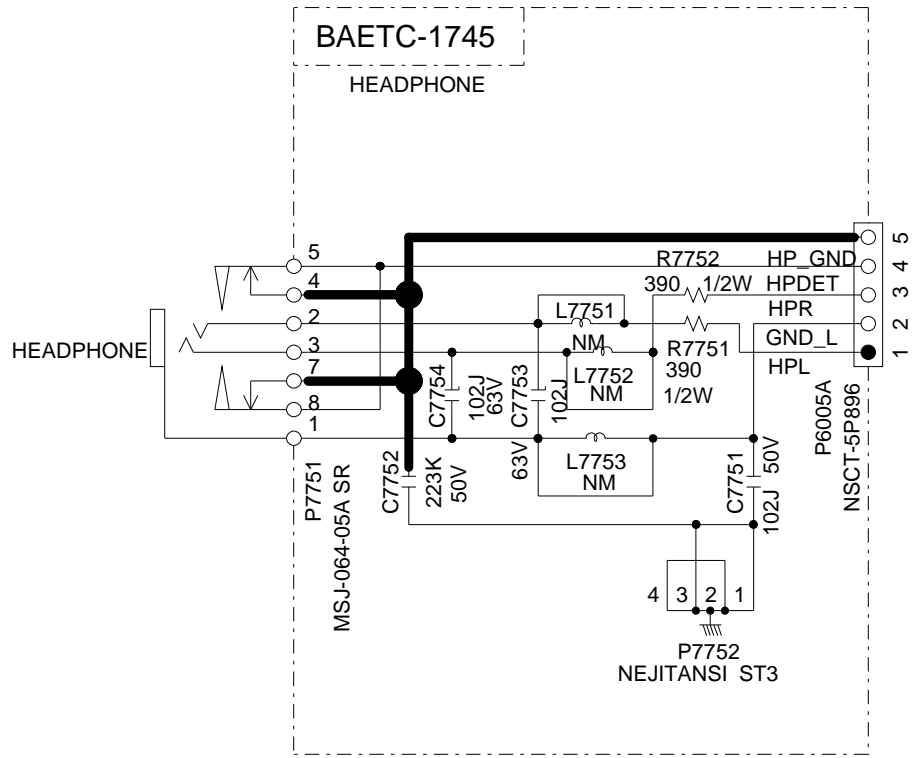
PRC

DG

B

A

MODEL NO. TX-NR545/646/747 SCHEMATIC DIAGRAM  
(PART-8) DISPLAY SECTION



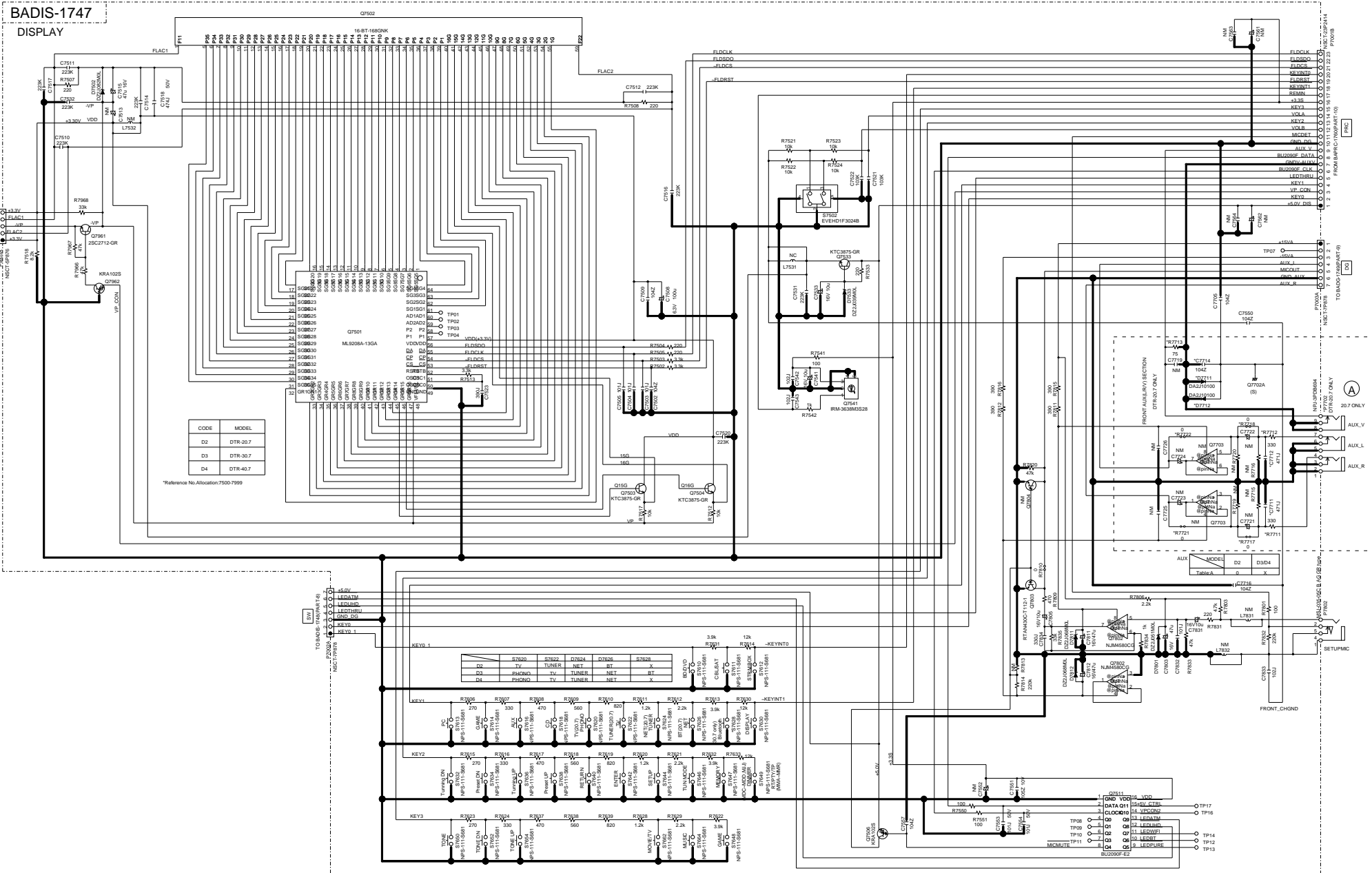
TO BATRM-1754(PART-7)

TRM

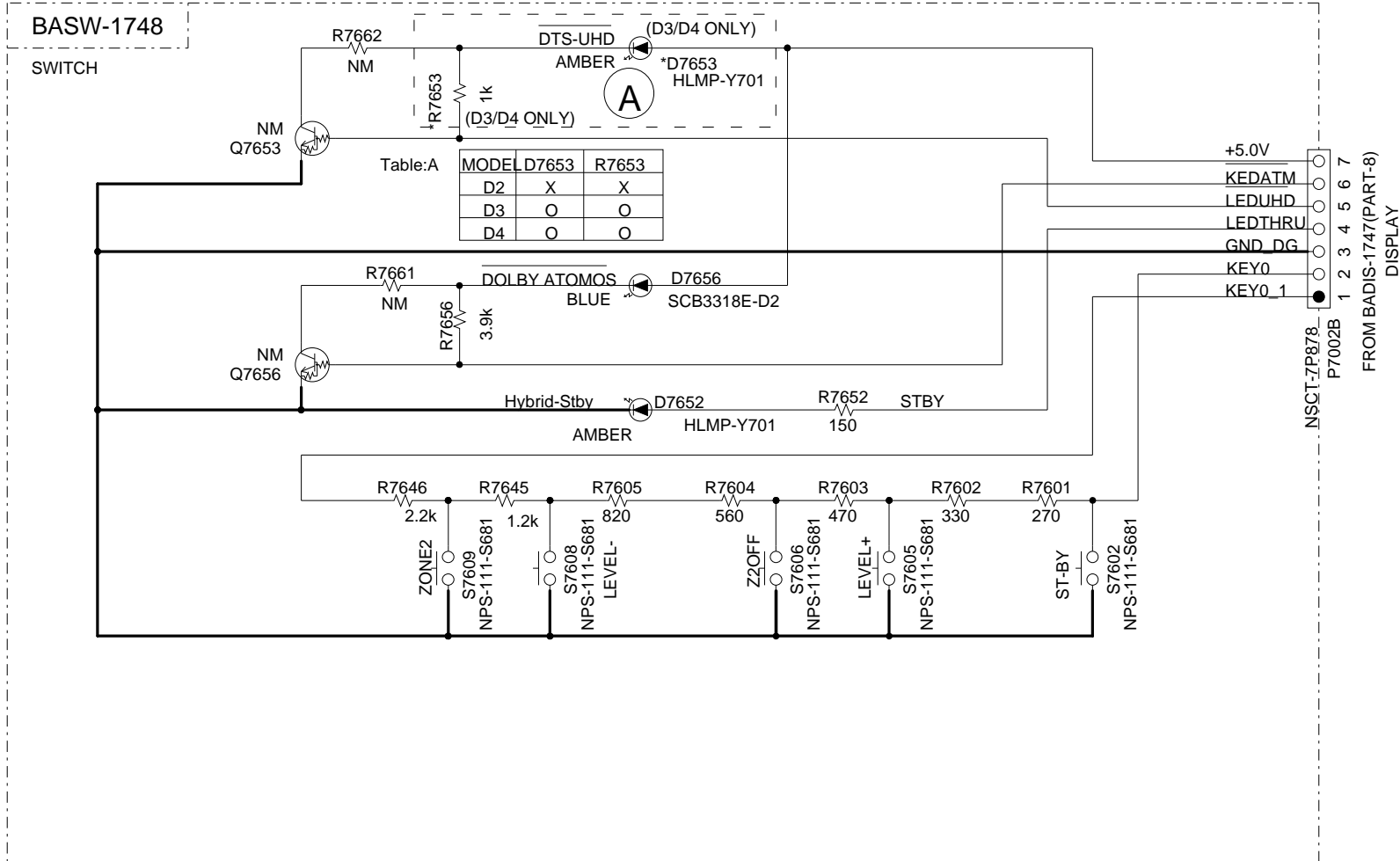
	MODEL
T5	TX-NR545
T6	TX-NR646
T7	TX-NR747

MODEL NO. DTR-20.7/30.7/40.7 SCHEMATIC DIAGRAM(PART-8)

DISPLAY SECTION

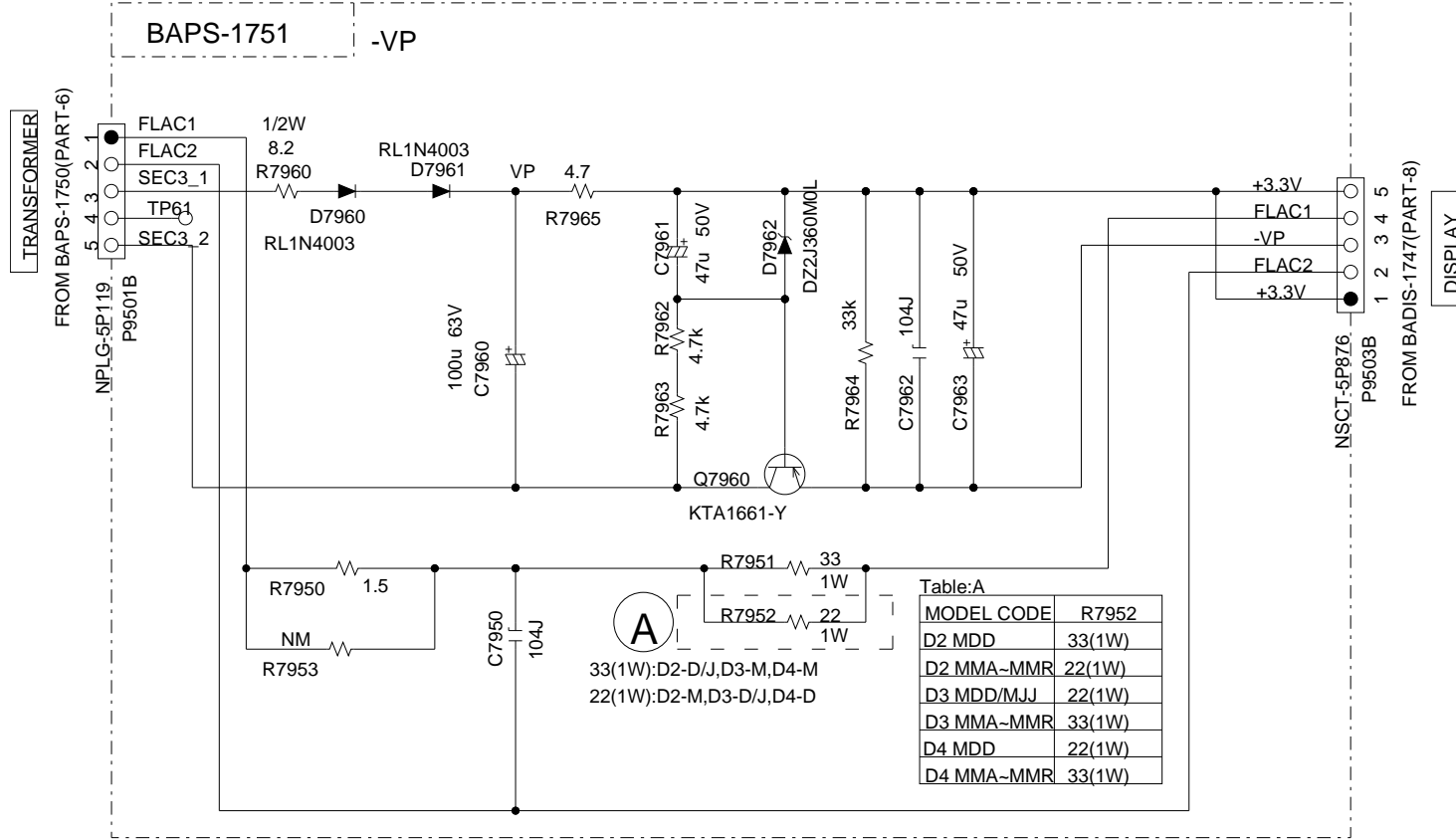


MODEL NO. DTR-20.7/30.7/40.7 SCHEMATIC DIAGRAM(PART-8)  
SW SECTION

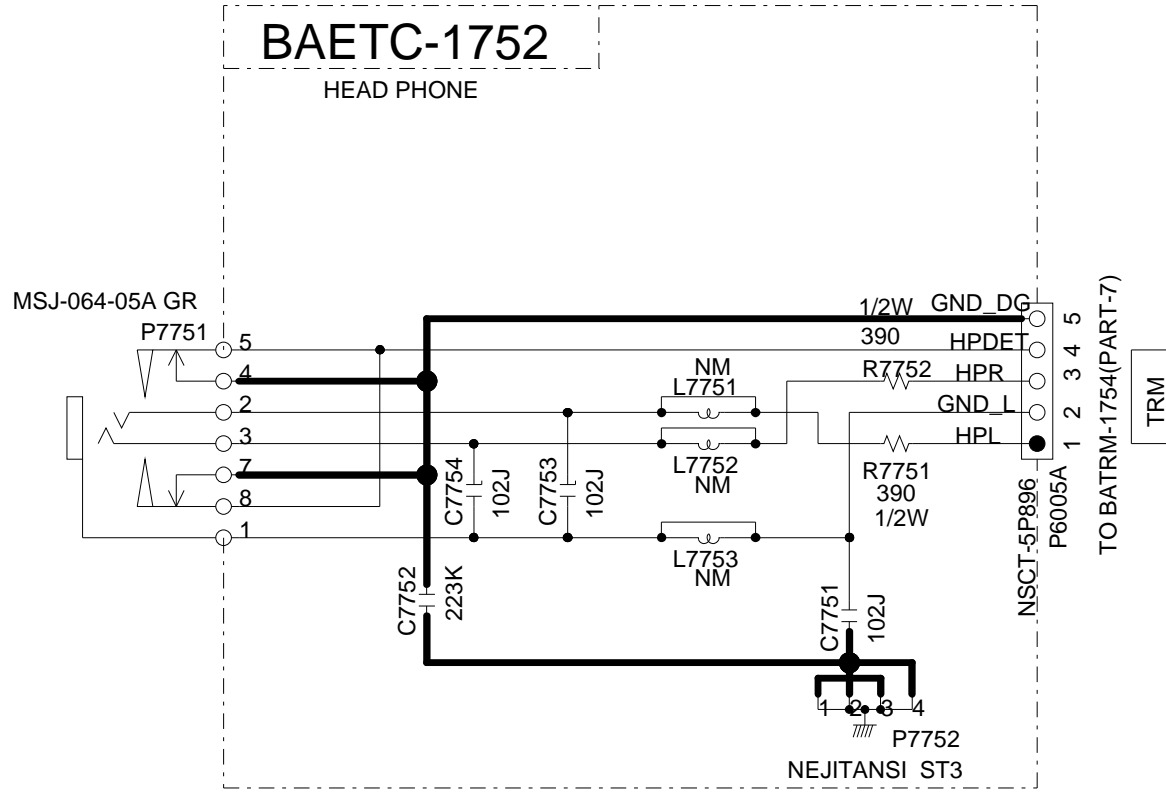




MODEL NO. DTR-20.7/30.7/40.7 SCHEMATIC DIAGRAM(PART-8)  
VP SECTION

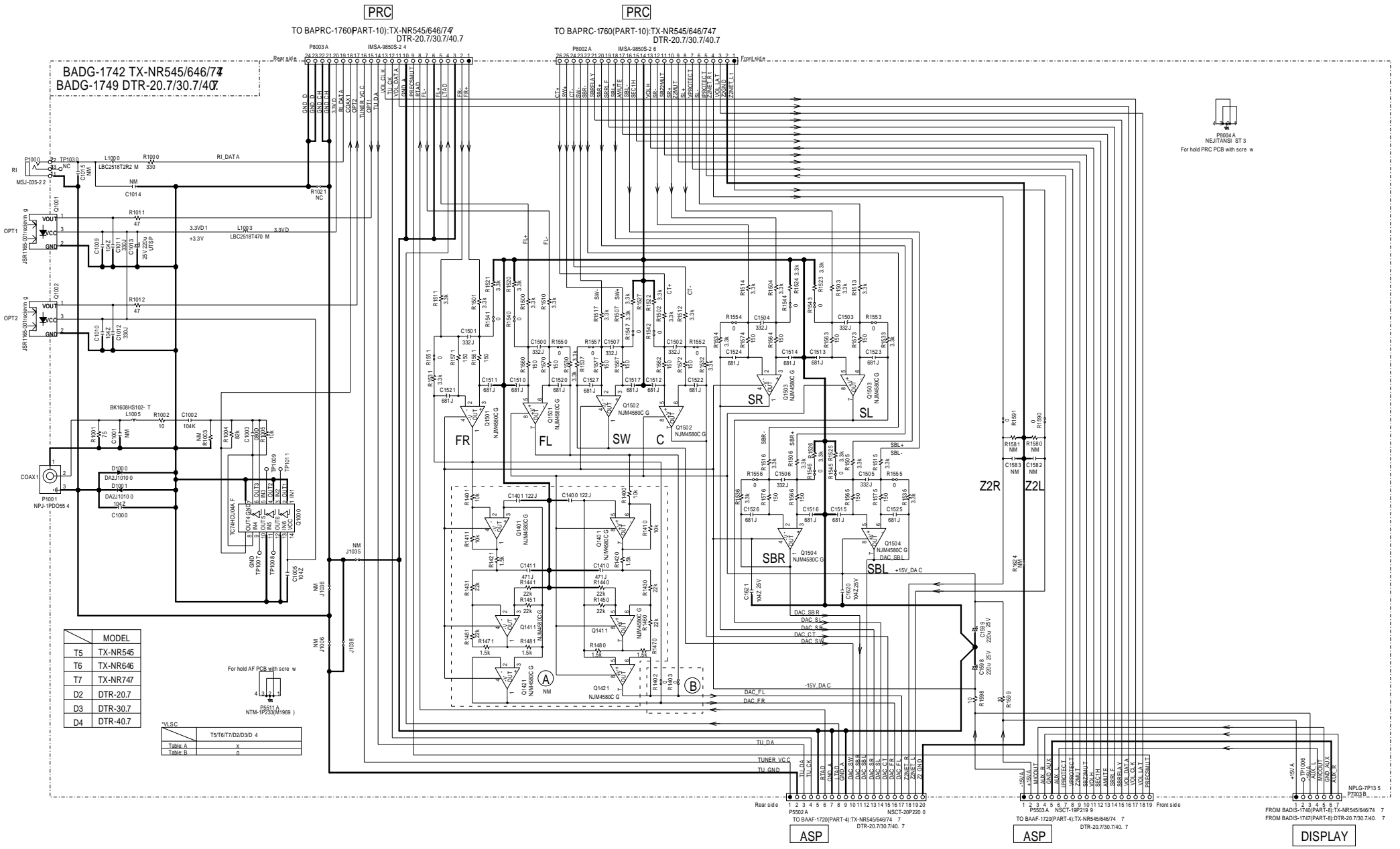


# MODEL NO. DTR-20.7/30.7/40.7 SCHEMATIC DIAGRAM(PART-8) H/P SECTION



MODEL NO. TX-NR545/646/747, DTR-20.7/30.7/40.7

SCHEMATIC DIAGRAM(PART-9)DG SECTION



MODEL	
T5	TX-NR545
T6	TX-NR646
T7	TX-NR747
D2	DTR-20.7
D3	DTR-30.7
D4	DTR-40.7

VLS	
Table A	Table B
T5/T6/T7/D2/D3/D4	X
	0

PR004 A  
NEI/FANSI CT 3  
For hold PRC PCB with screw

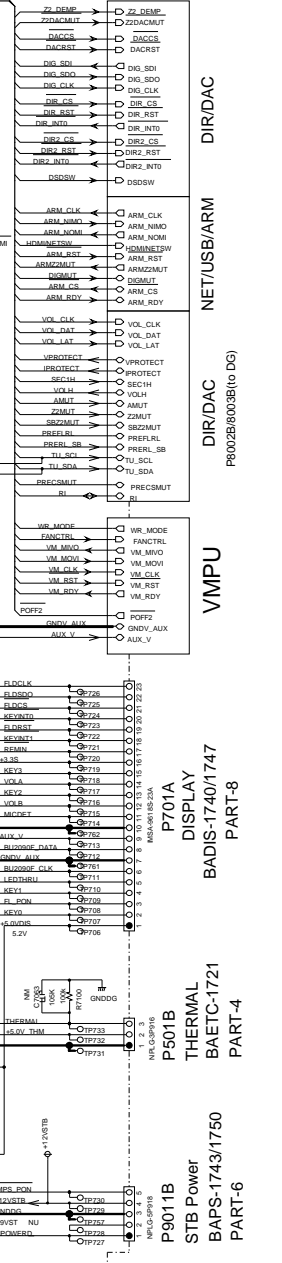
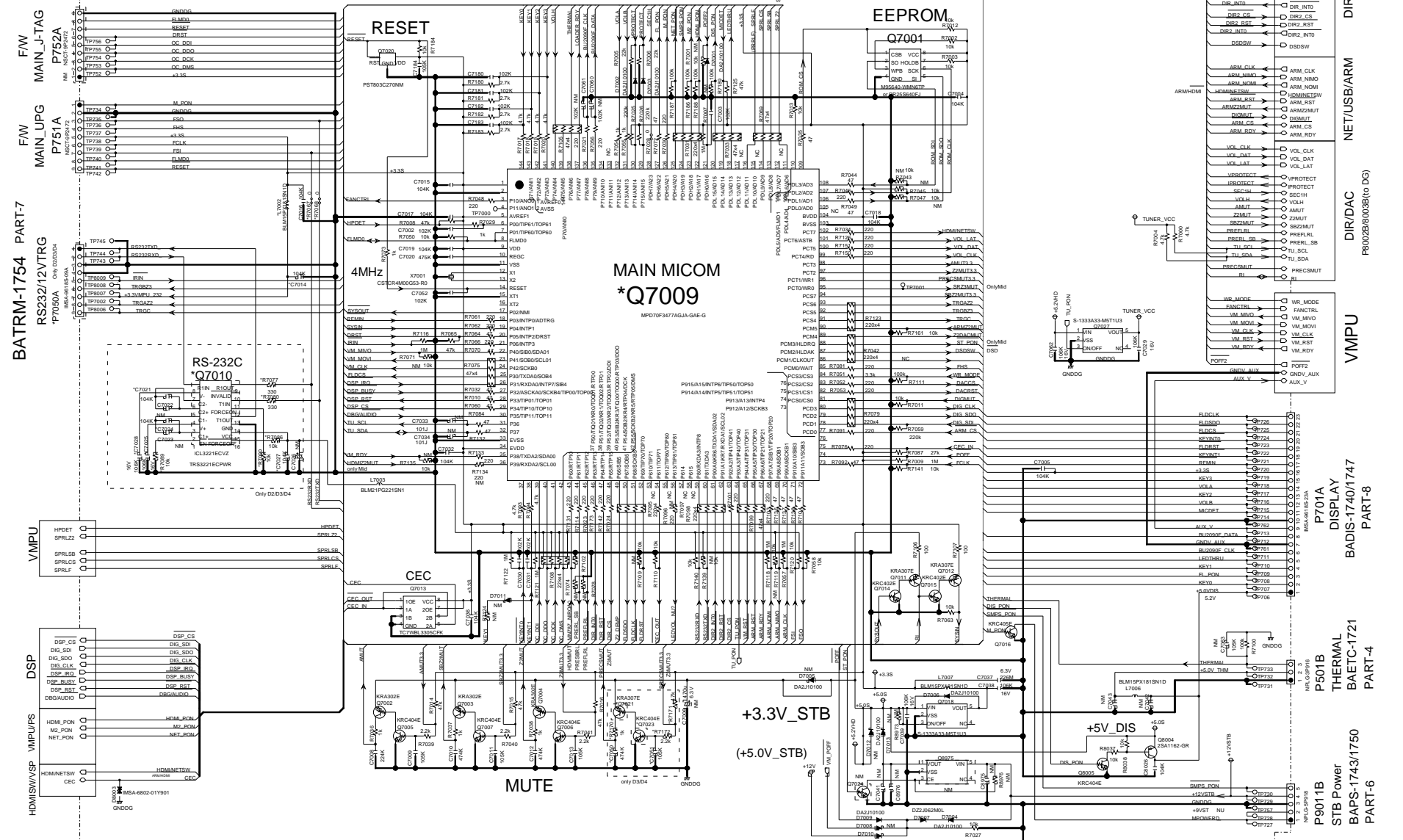
For hold AF PCB with screw

MODEL NO.TX-NR545/646/747,DTR-20.7/30.7/40.7

SCHEMATIC DIAGRAM (PART-10) MPU SECTION

BAPRC-1760 (1/8)

△ 図は本機、確保の信頼に付する部品のみ、必ず指定部品を使用せよ。  
 ・部品表に記載の仕様に準じた互換部品を必ず採用せよ。  
 ・抵抗値は、1000Ω以上の場合は省略してOKとする。  
 ・抵抗値の単位は、R=Ω, K=kΩ, M=MΩ, G=GΩ, P=pF, N=nF, μ=μFとする。  
 ・入力端子に接続する抵抗値は、必ず1kΩ以上の抵抗値とする。  
 ・抵抗値の単位は、R=Ω, K=kΩ, M=MΩ, G=GΩ, P=pF, N=nF, μ=μFとする。



POWER SUPPLY (FOR STB)

# VMPU/ Power supply section

# Schematic Diagram

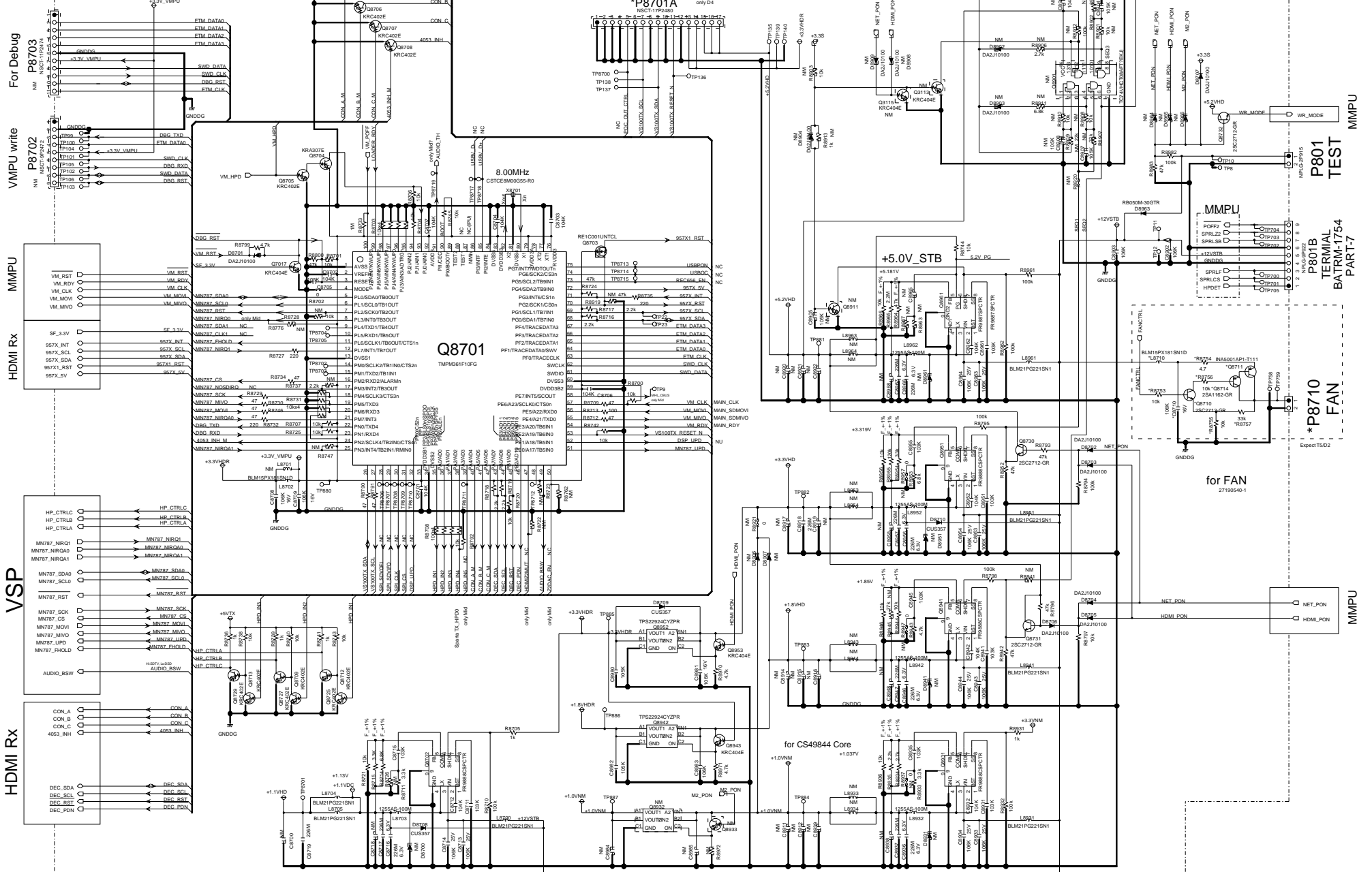
MODEL NO.TX-NR545/646/747,DTR-20.7/30.7/40.7

SCHEMATIC DIAGRAM (PART-10) VMPU/POWER SUPPLY SECTION

BAPRC-1760 (2/8)

HD-BASET  
\*P8701A  
NSCT17P2485  
only D4

POWER SUPPLY



D  
C  
B  
A

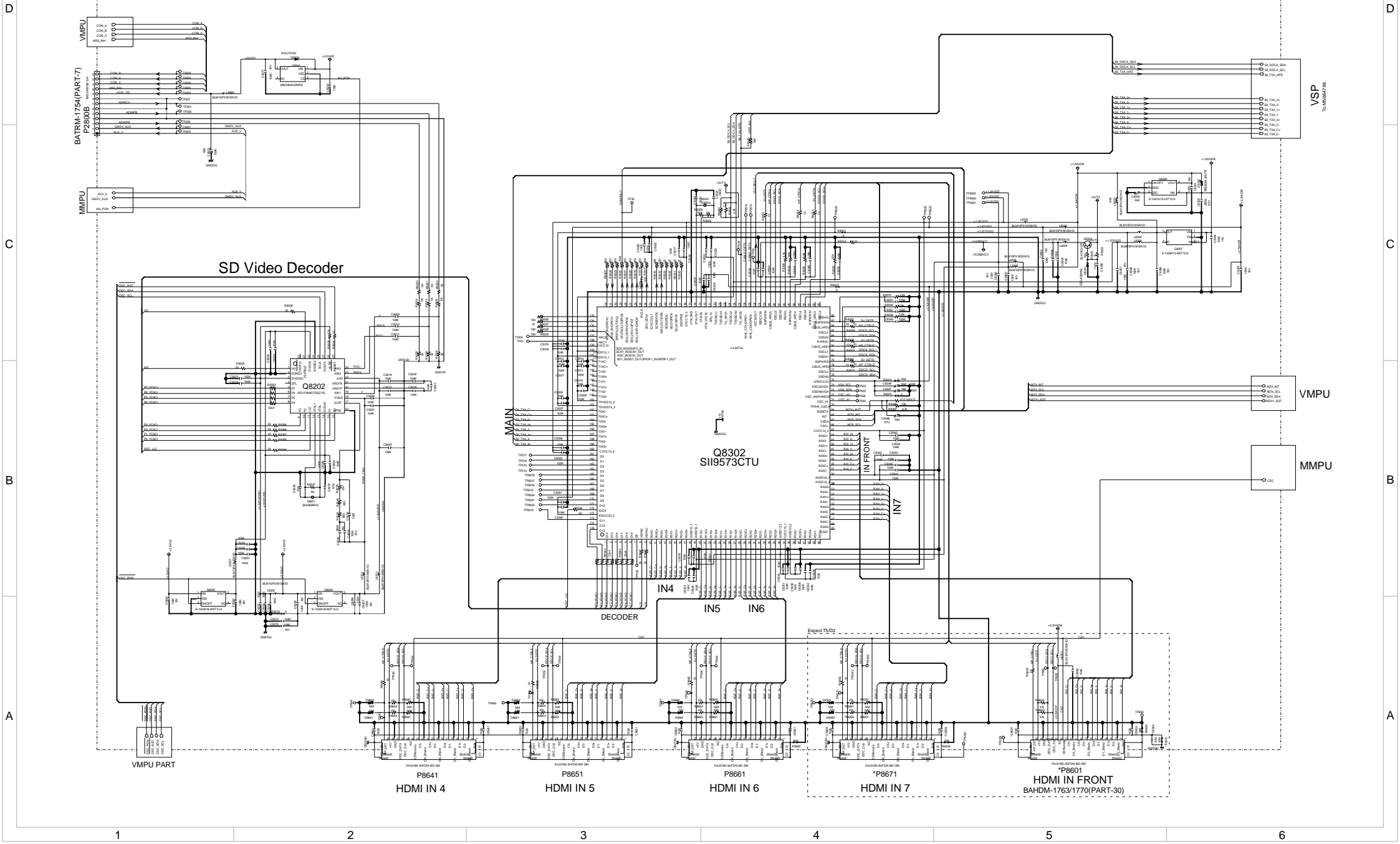
D  
C  
B  
A

1 2 3 4 5 6

MODEL NO.TX-NR545/646/747,DTR-20.7/30.7/40.7

SCHEMATIC DIAGRAM (PART-10) HDMI/Decoder SECTION

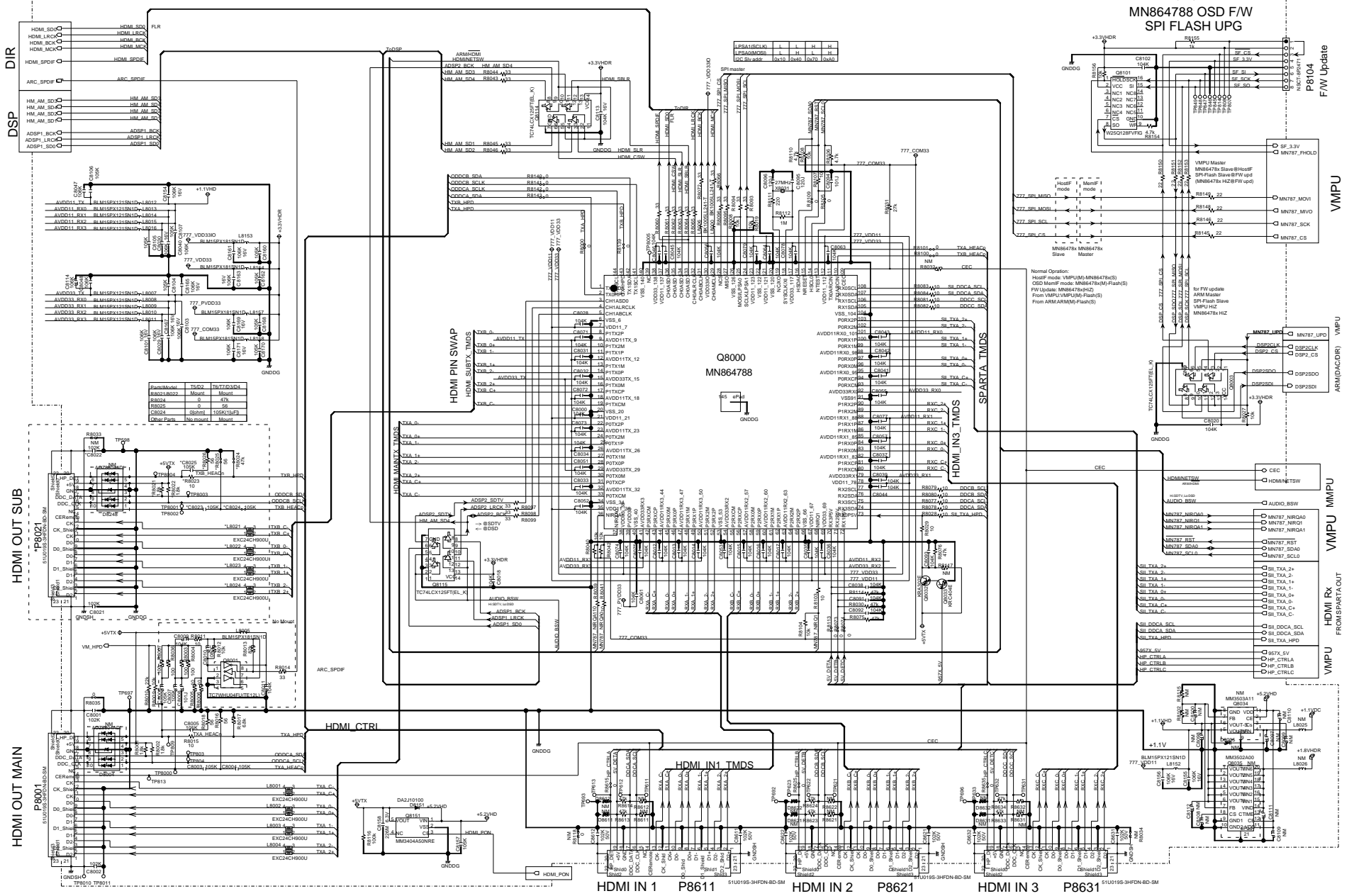
BAPRC-1760 (3/8)



MODEL NO.TX-NR545/646/747,DTR-20.7/30.7/40.7

SCHEMATIC DIAGRAM (PART-10) VIDEO PROCESSOR SECTION

BAPRC-1760 (4/8)

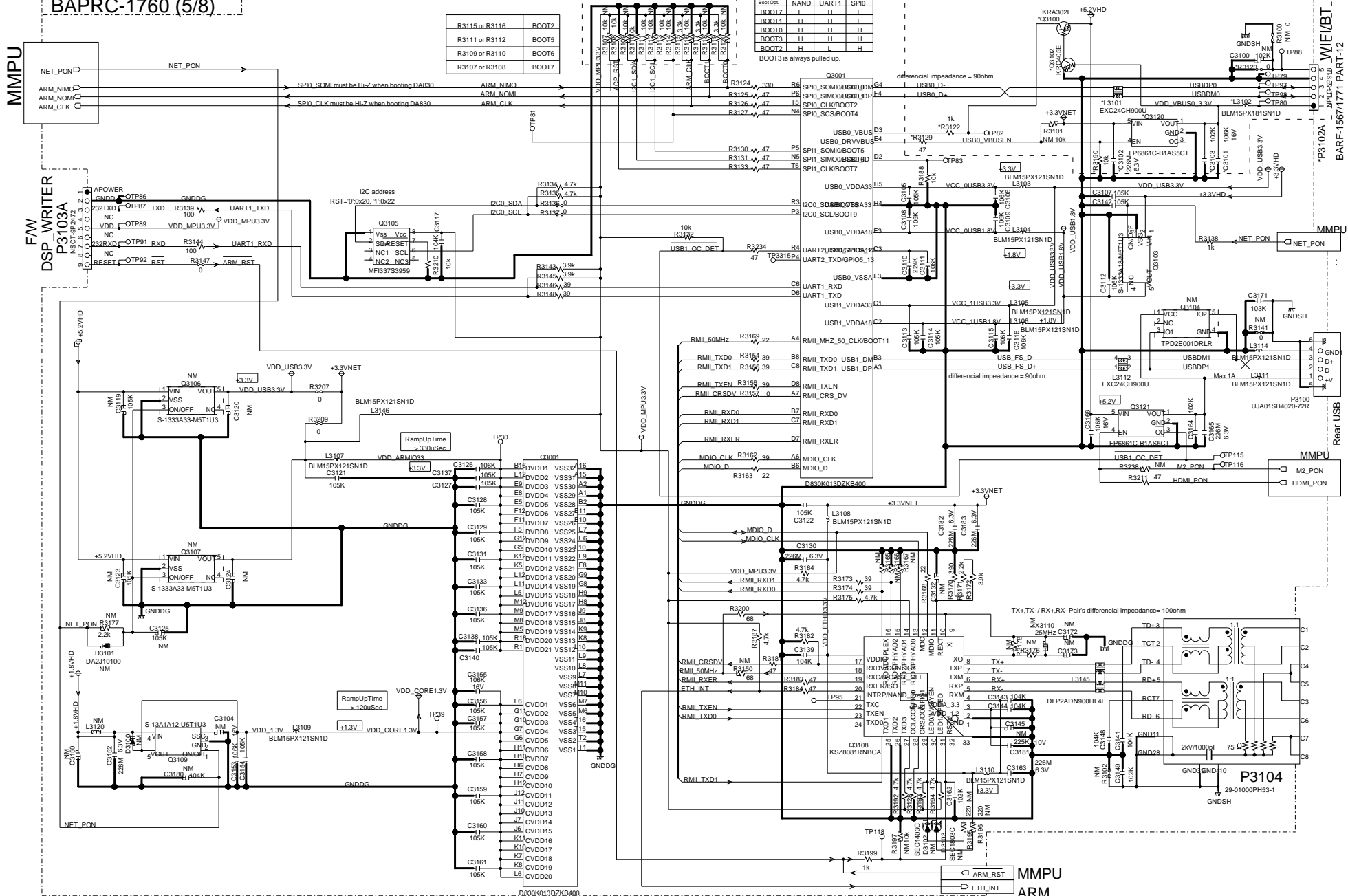


HDMI IN 1 P8611 HDMI IN 2 P8621 HDMI IN 3 P8631

MODEL NO.TX-NR545/646/747,DTR-20.7/30.7/40.7

SCHEMATIC DIAGRAM (PART-10) NET/USB POWER SECTION

BAPRC-1760 (5/8)



Boot Opt.	NAND	UART1	SPI0
BOOT7	L	H	L
BOOT1	H	H	L
BOOT0	H	H	L
BOOT3	H	H	L
BOOT2	H	L	L

BOOT3 is always pulled up.

ARM_RST	MIMPU
ETH_INT	ARM

D

C

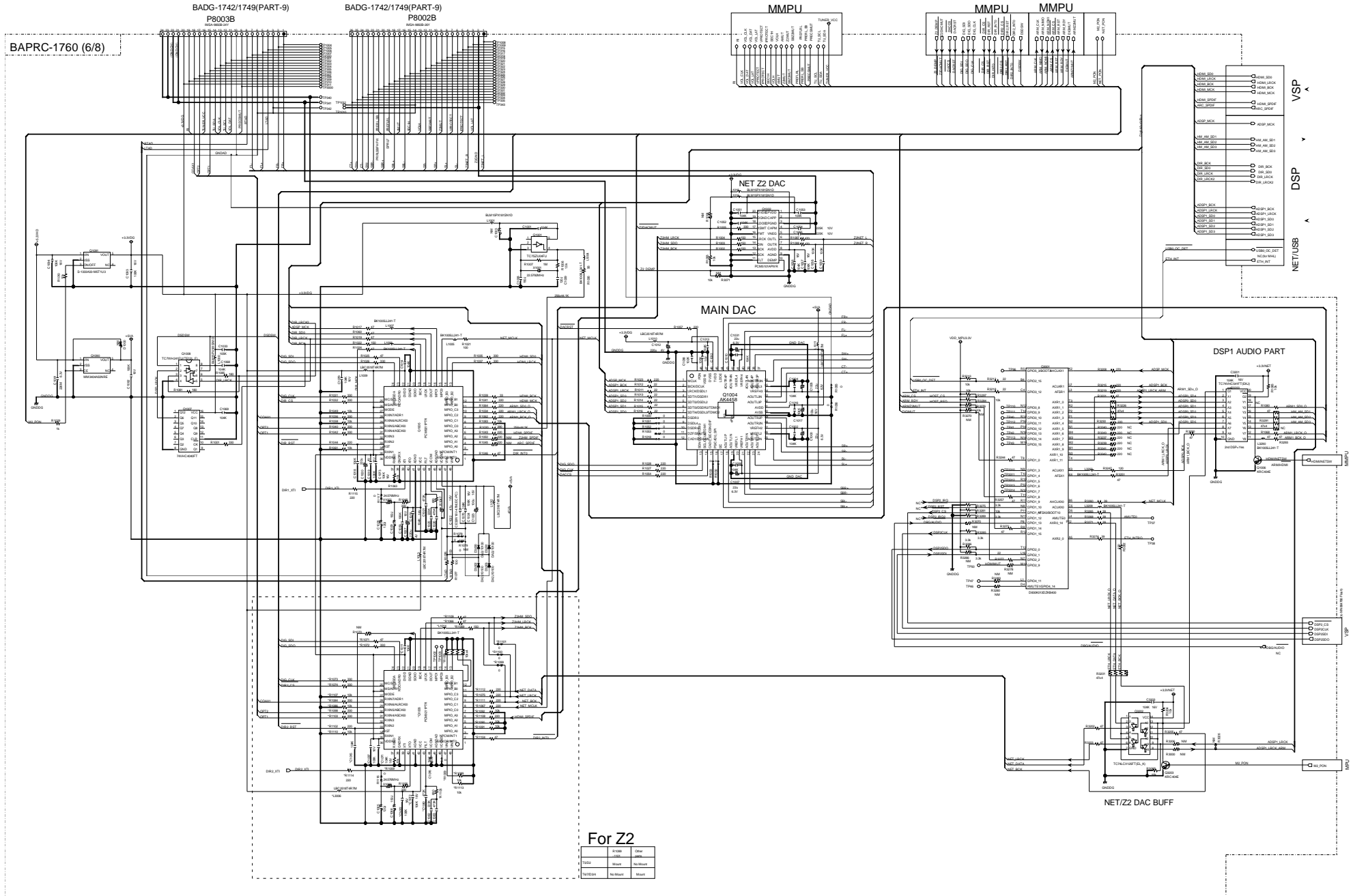
B

A



MODEL NO.TX-NR545/646/747/DTR-20.7/30.7/40.7

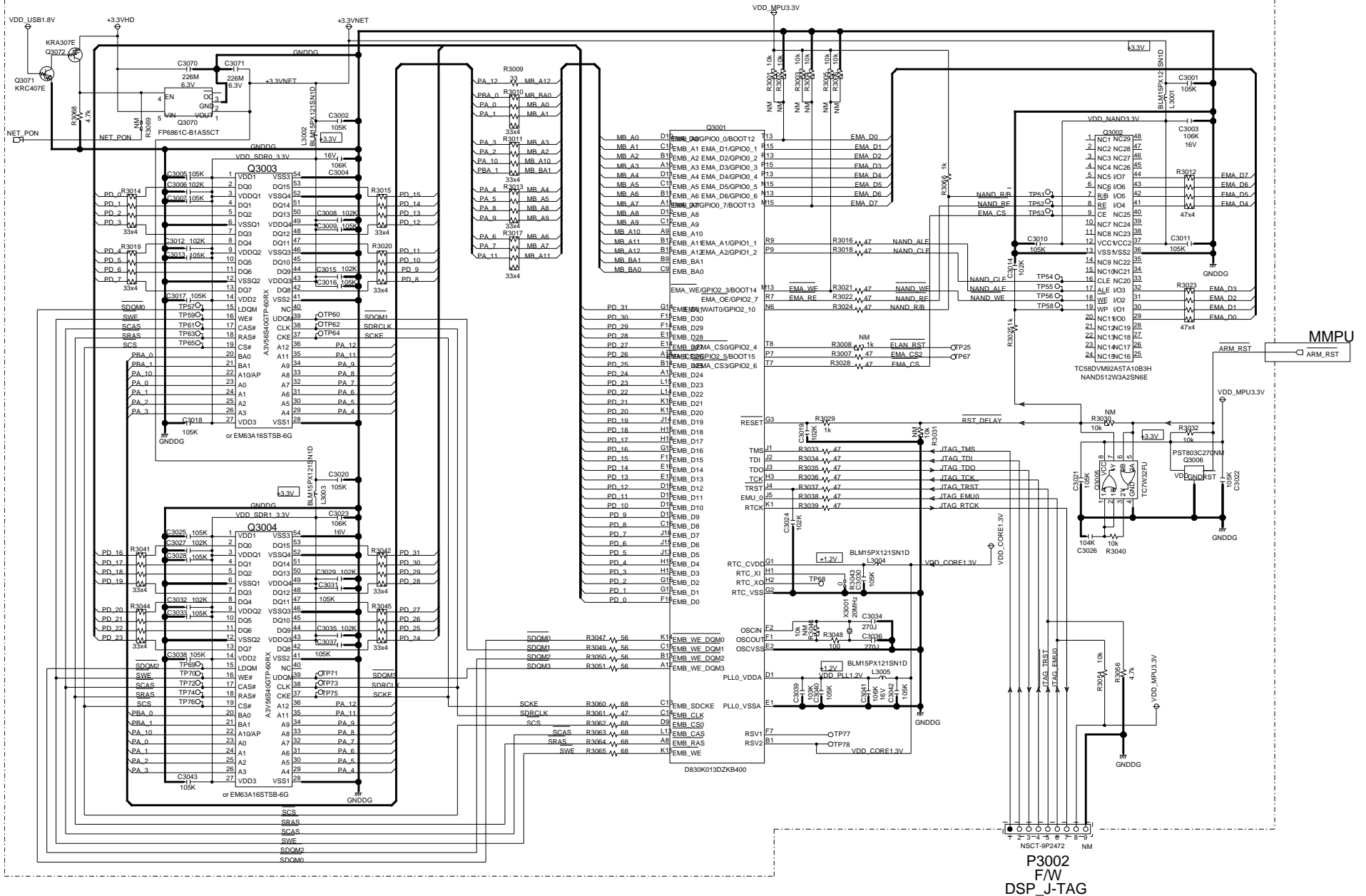
SCHEMATIC DIAGRAM (PART-10) ARM/DIR/DAC SECTION



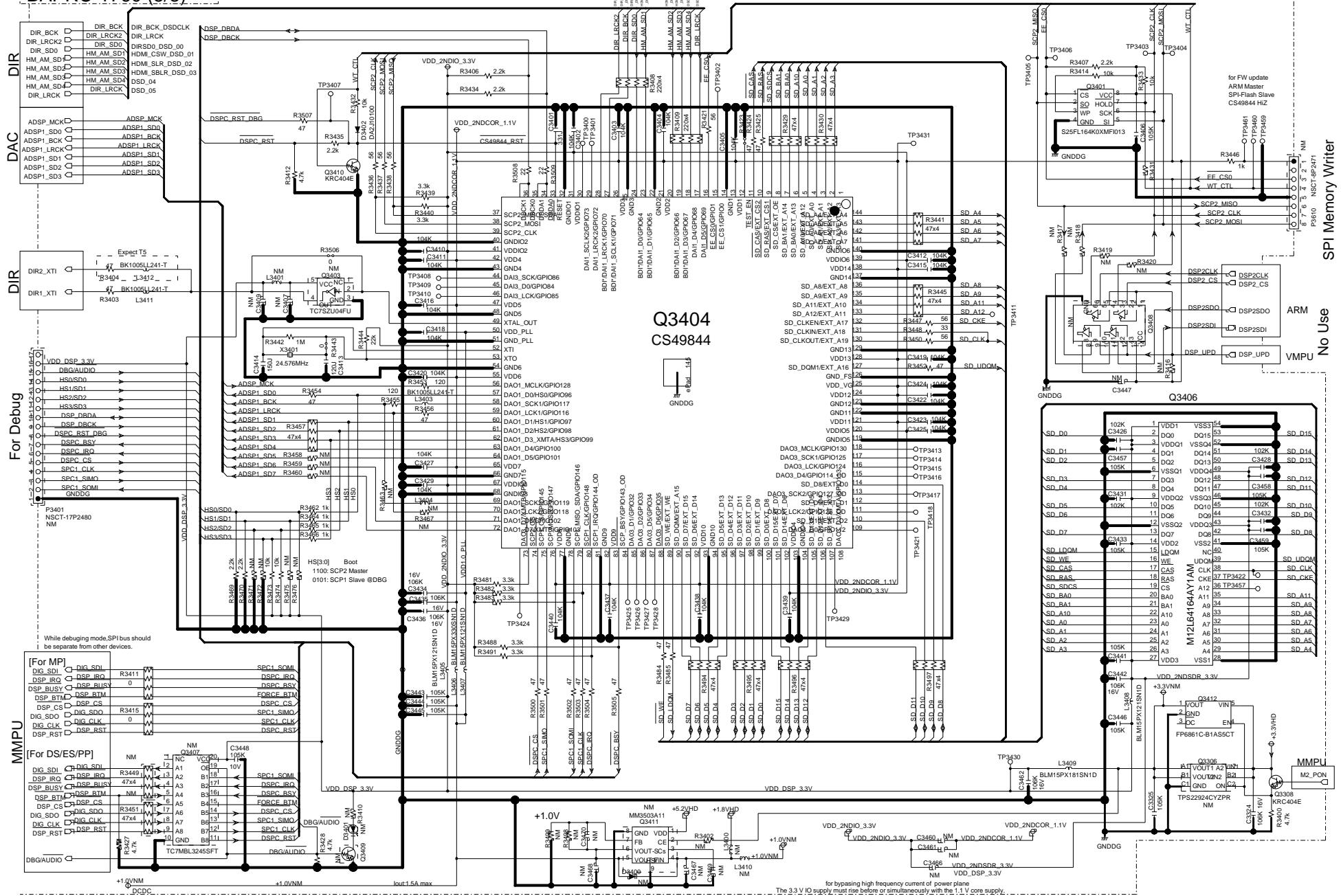
For Z2

1	2	3	4	5	6
7	8	9	10	11	12
13	14	15	16	17	18
19	20	21	22	23	24

MODEL NO.TX-NR545/646/747,DTR-20.7/30.7/40.7 SCHEMATIC DIAGRAM (PART-10) ARM MEMORY SECTION  
BAPRC-1760 (7/8)



MODEL NO.TX-NR545/646/747,DTR-20.7/30.7/40.7  
BAPRC-1760 (8/8) SCHEMATIC DIAGRAM (PART-10) DSP SECTION



SPI Memory Writer

ARM No Use

VMPU No Use

A

B

C

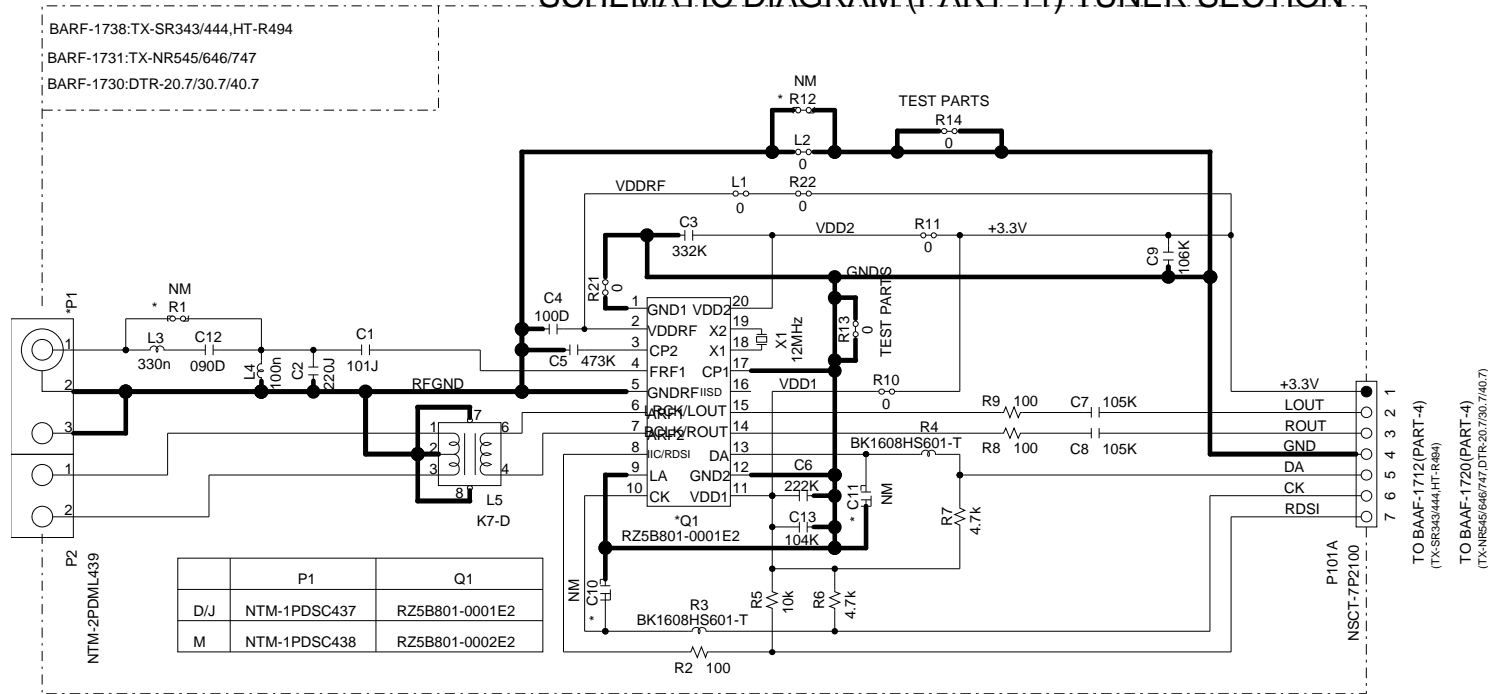
D

MODEL NO. TX-SR343/444,HT-R494

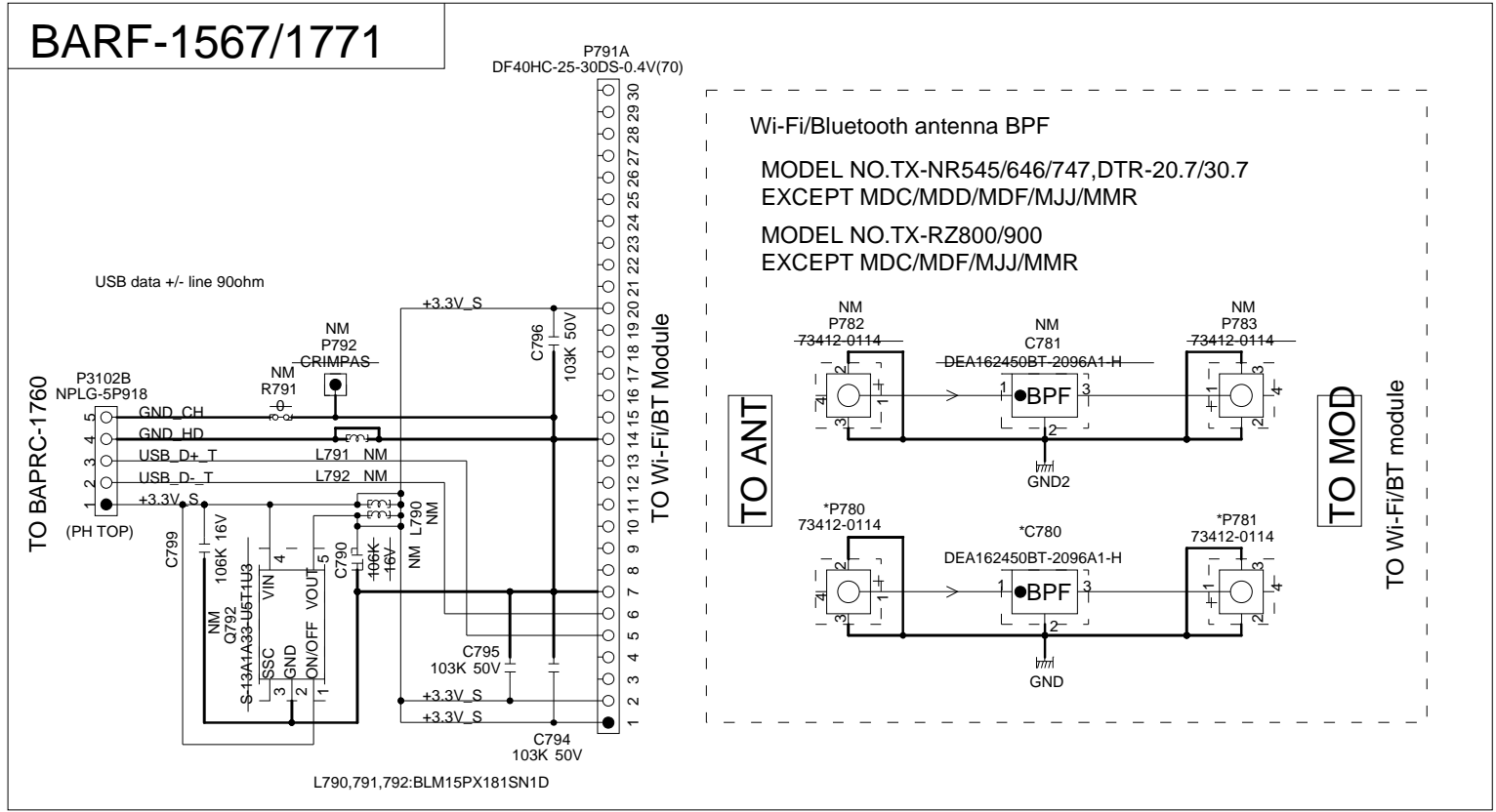
SCHEMATIC DIAGRAM (PART-10) TUNER SECTION

MODEL NO. TX-NR545/646/747,DTR-20.7/30.7/40.7

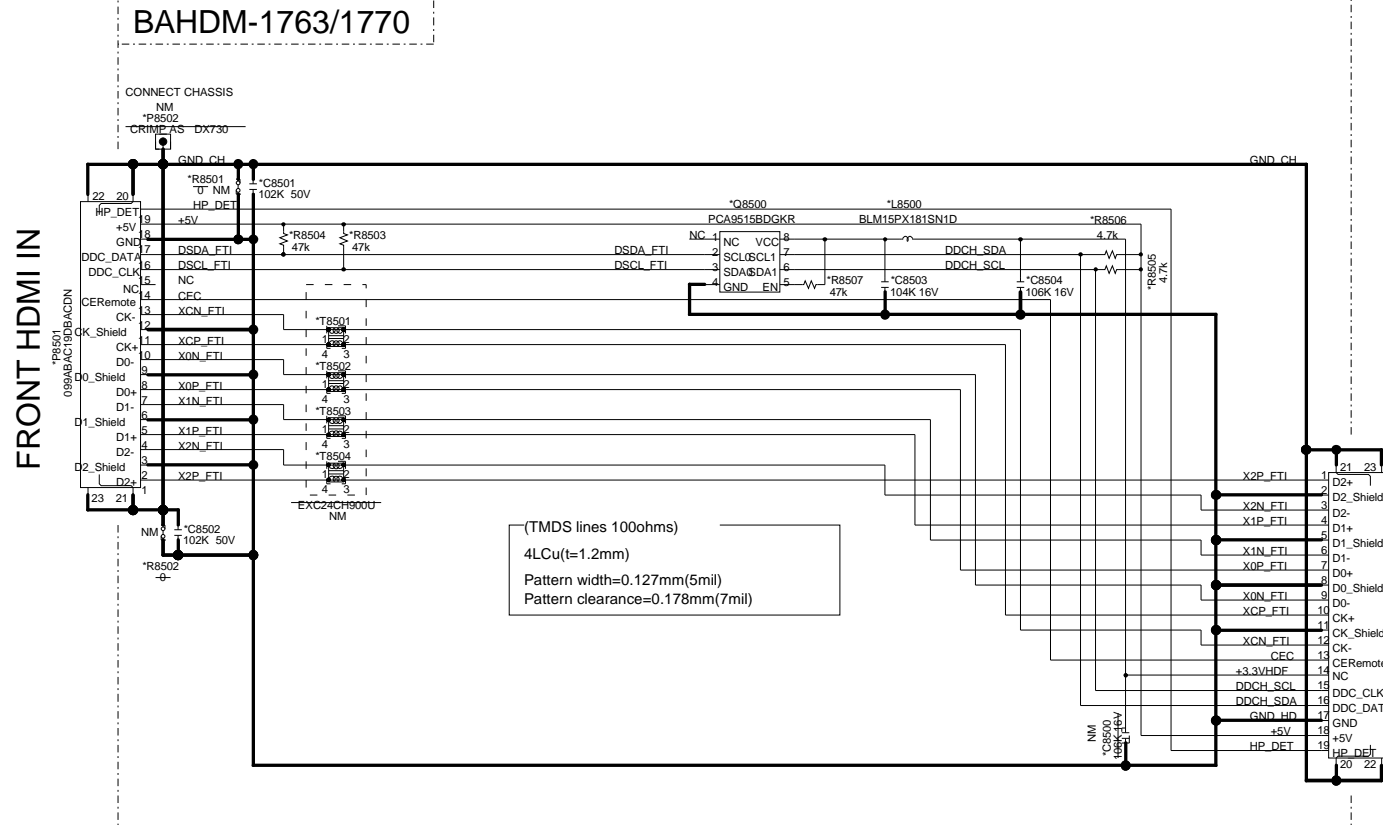
SCHEMATIC DIAGRAM (PART-11) TUNER SECTION



Model No. TX-NR545/646/747, DTR-20.7/30.7 SCHEMATIC DIAGRAM (PART-12) Wi-Fi/Bluetooth Connector Section  
Model No. TX-RZ800/900 SCHEMATIC DIAGRAM (PART-\*\*) Wi-Fi/Bluetooth Connector Section



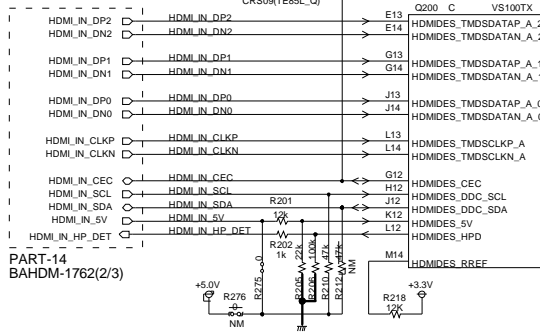
MODEL NO.TX-NR646/747,DTR-30.7/40.7  
SCHEMATIC DIAGRAM (PART-13) FRONT HDMI SECTION



## MODEL NO.DTR-40.7(PART-14) SCHEMATIC DIAGRAM HDBaseT SECTION

### BAHDM-1762(1/2)

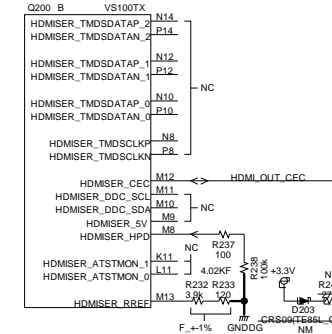
#### HDBaseT HDMI IN



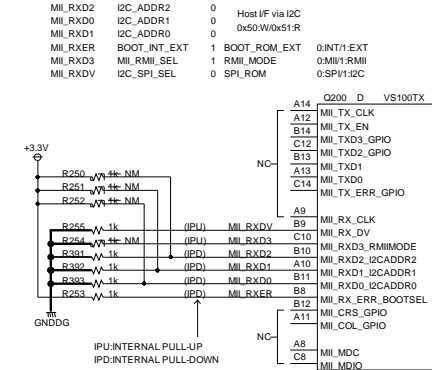
#### PART-14 BAHDM-1762(2/3)

### HDBaseT HDMI BYPASS OUTPUT

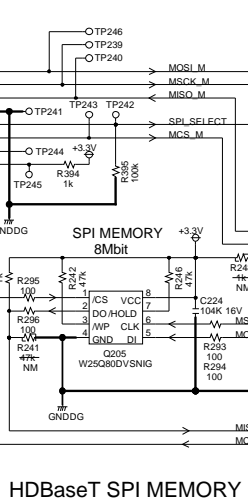
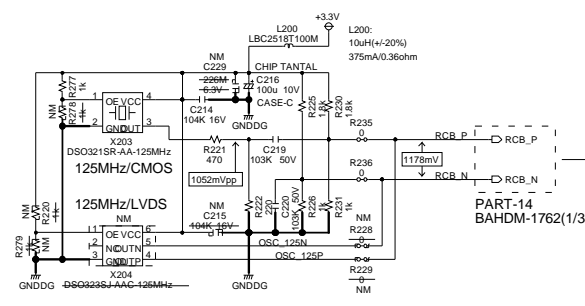
(no use)



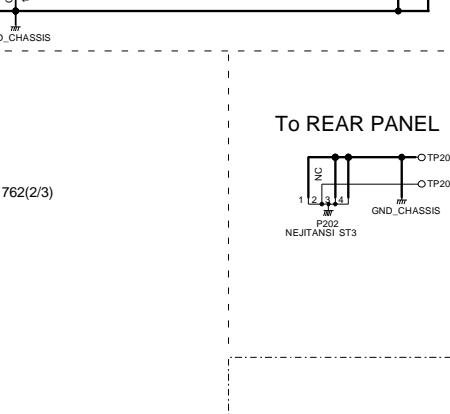
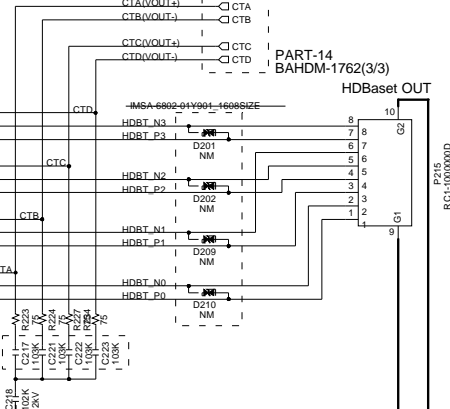
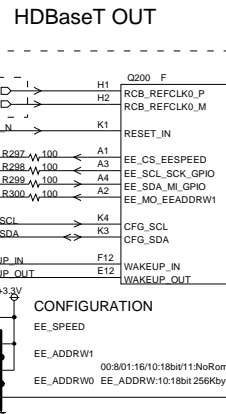
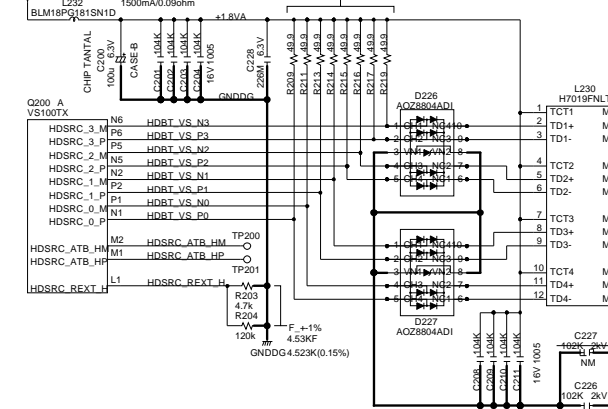
### HDBaseT CONFIGURATION



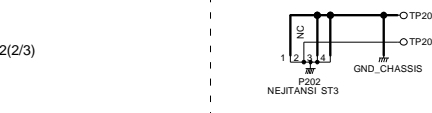
### HDBaseT CLOCK



### HDBaseT OUT

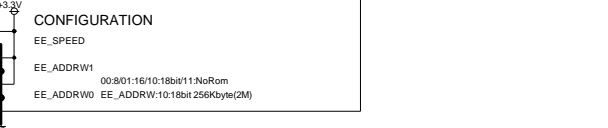
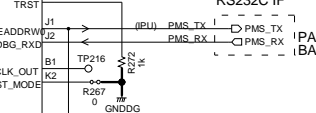


### To REAR PANEL



\*チップングルCはニチコン品のみを使用とする

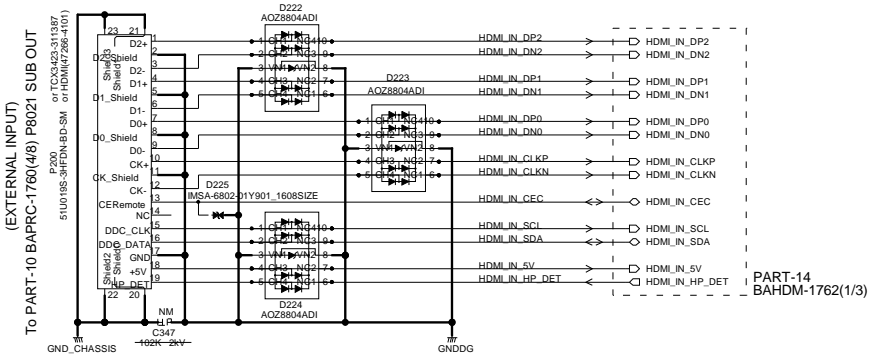
### for Debug/FW Update RS232C IF



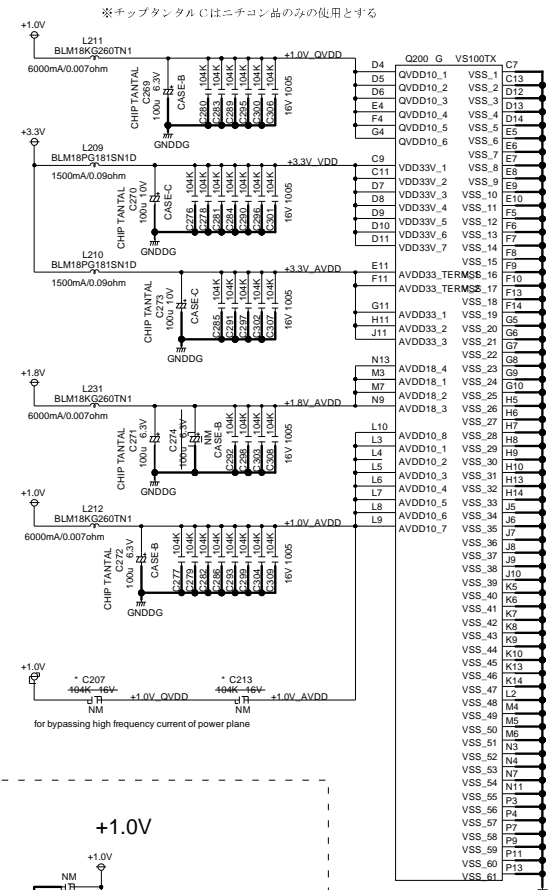
MODEL NO.DTR-40.7(PART-14) SCHEMATIC DIAGRAM HDBaseT SECTION

BAHDM-1762(2/2)

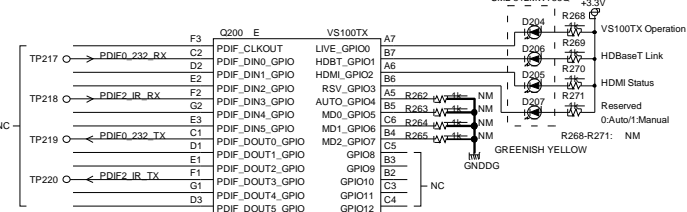
HDBaseT HDMI IN



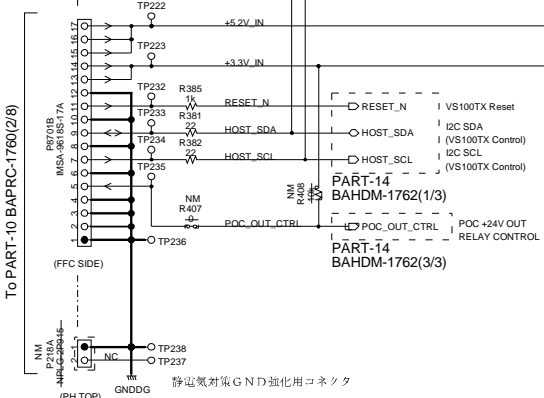
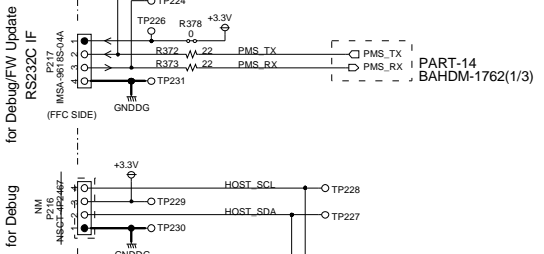
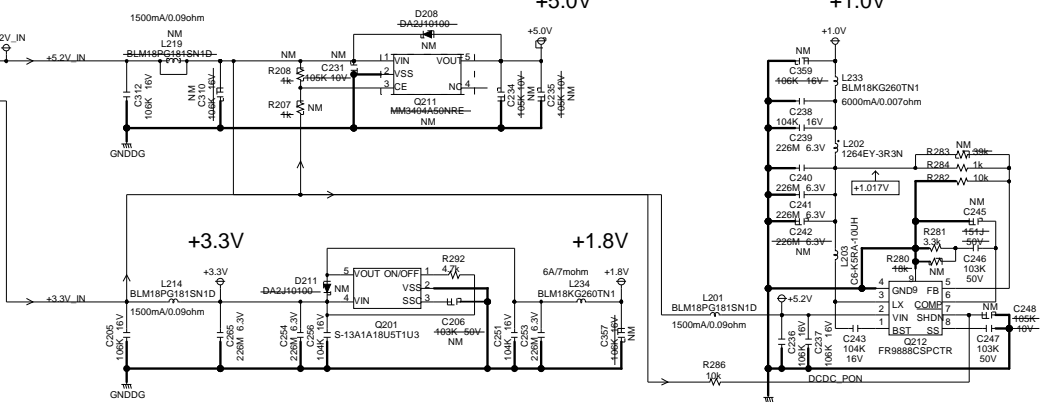
HDBaseT POWER



HDBaseT GPIO



POWER SUPPLY



静電気対策GND強化用コネクタ

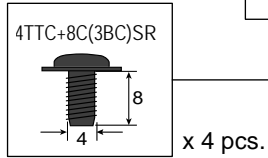
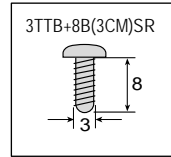
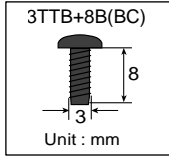
L234, L233, L211, L209, L210:  
BLM18PG181SN1D  
100MHz±180m(+25%)  
1500mA/0.09ohm

L214, L201, L209, L210:  
BLM18PG181SN1D  
100MHz±26m(+25%)  
6000mA/0.007ohm

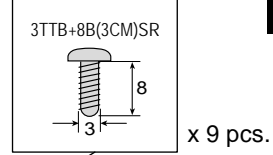


# Overview

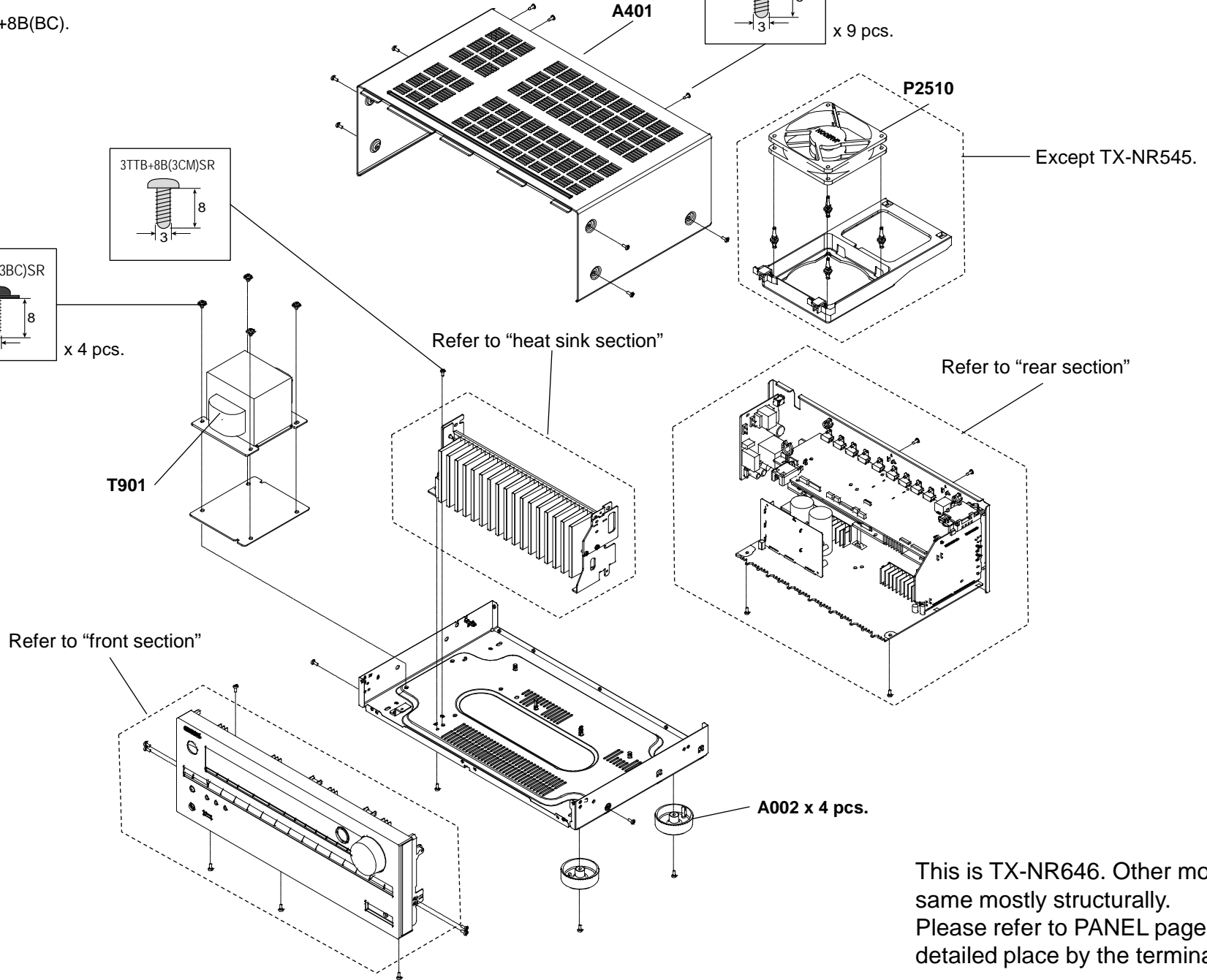
<NOTE>  
No description screw is 3TTB +8B(BC).



Silver model only



# Exploded View

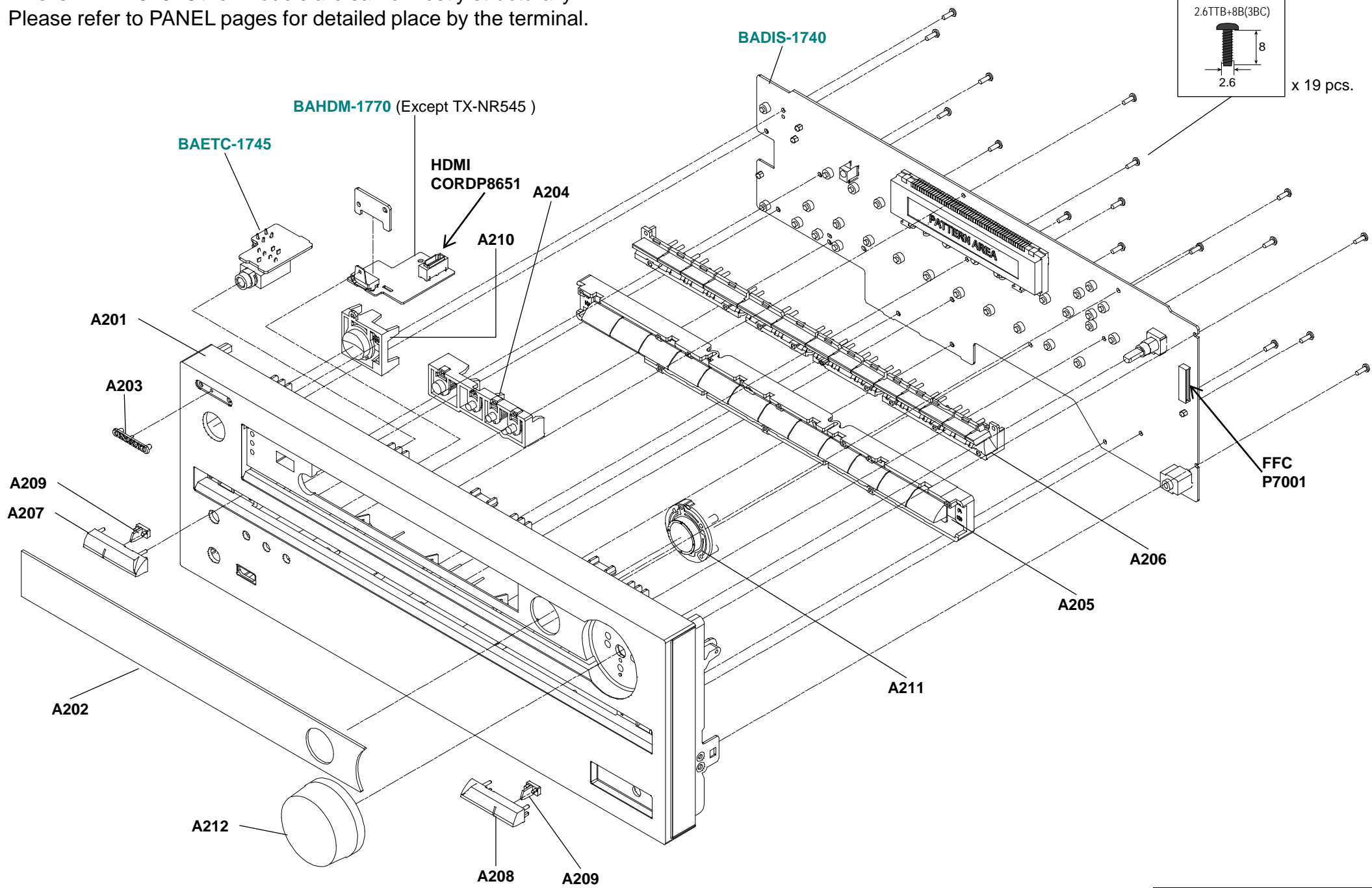


This is TX-NR646. Other models are same mostly structurally. Please refer to PANEL pages for detailed place by the terminal.

Front section

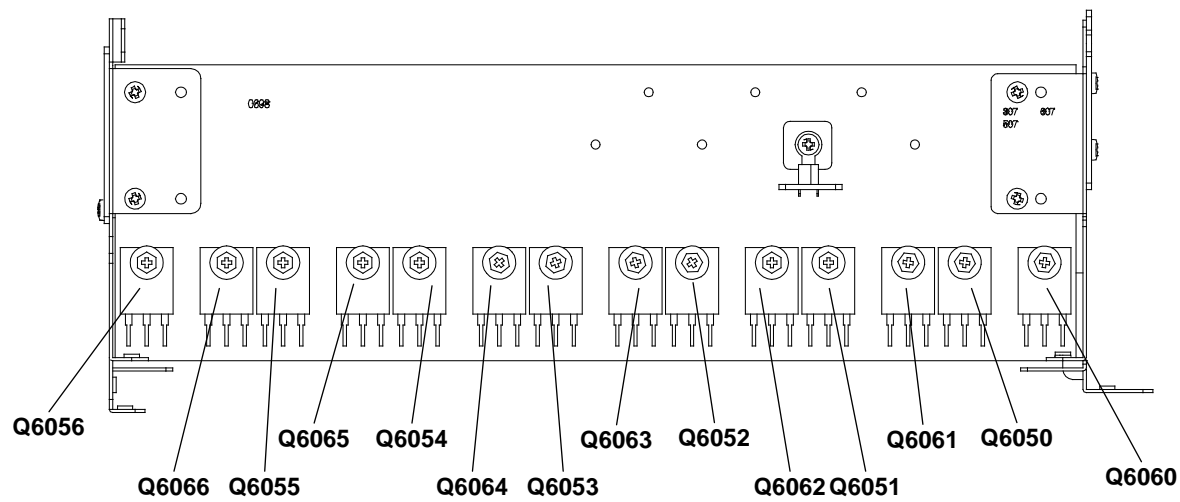
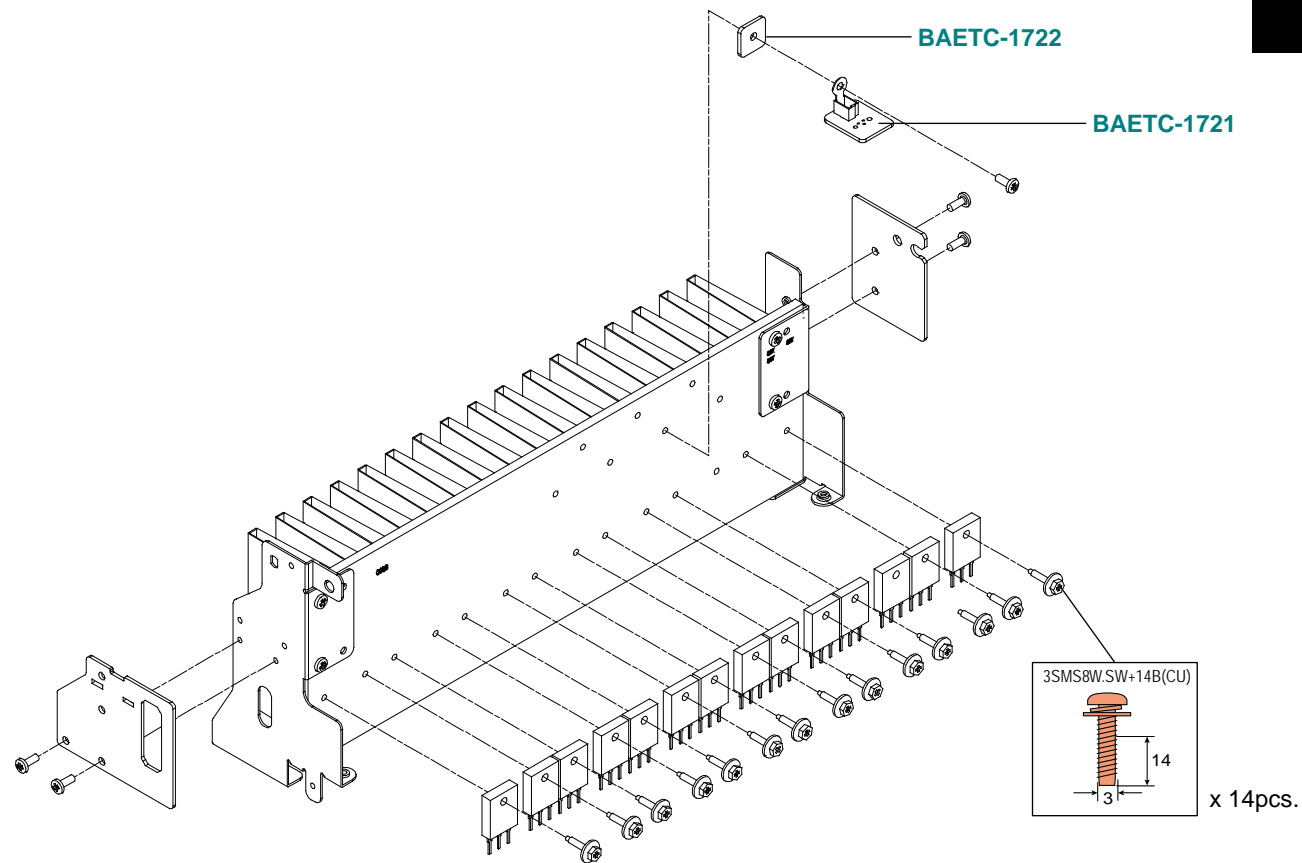
Exploded View

This is TX-NR646. Other models are same mostly structurally.  
Please refer to PANEL pages for detailed place by the terminal.

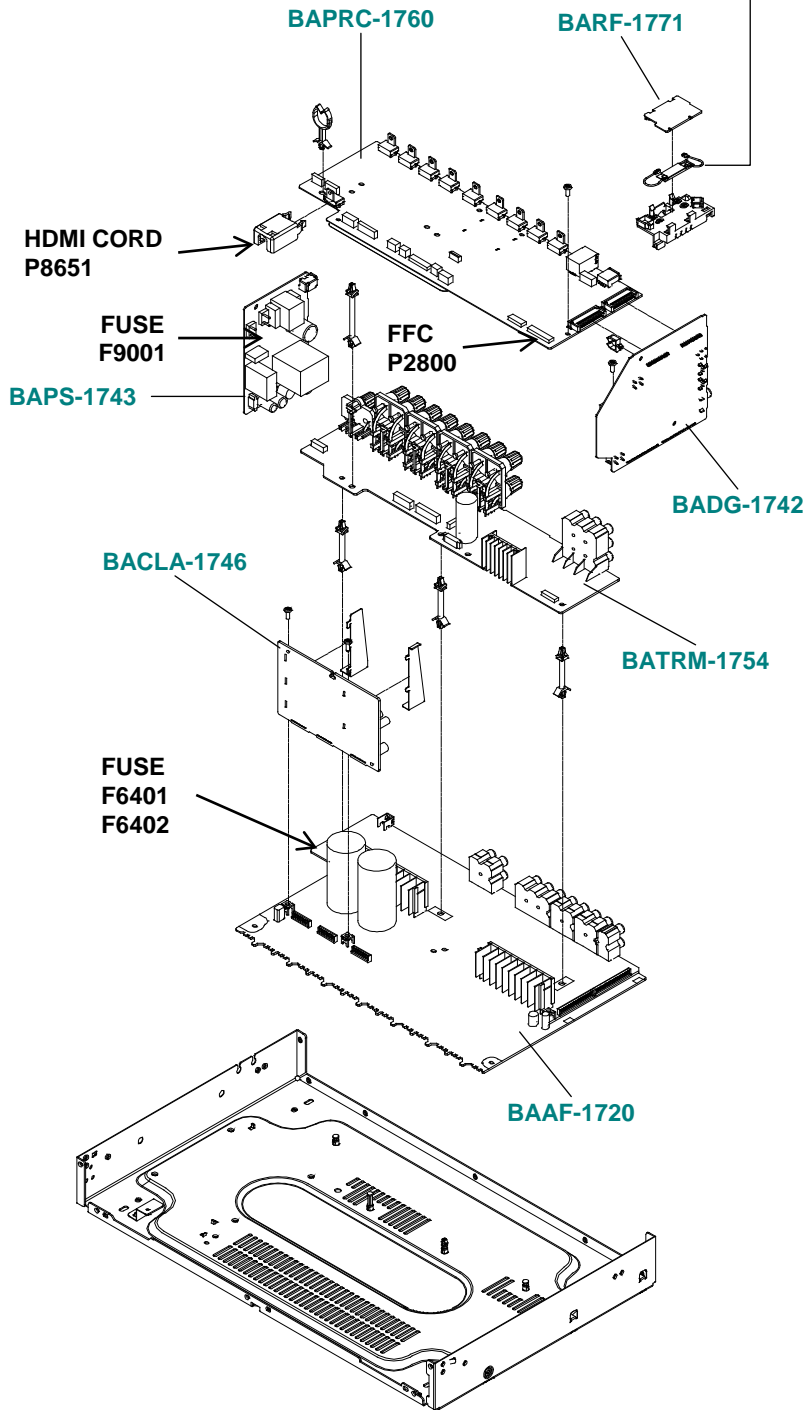


Heat sink section

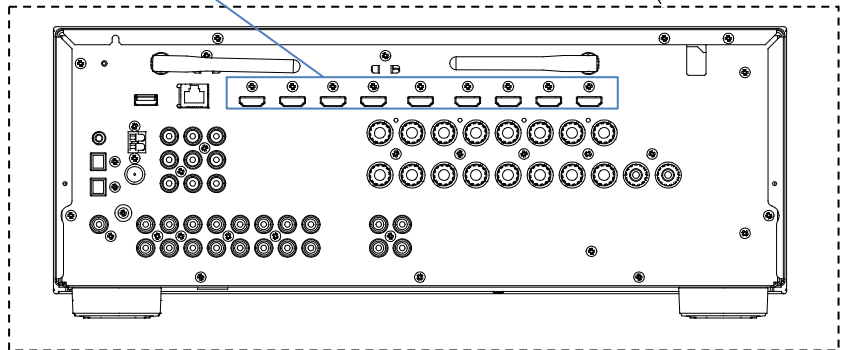
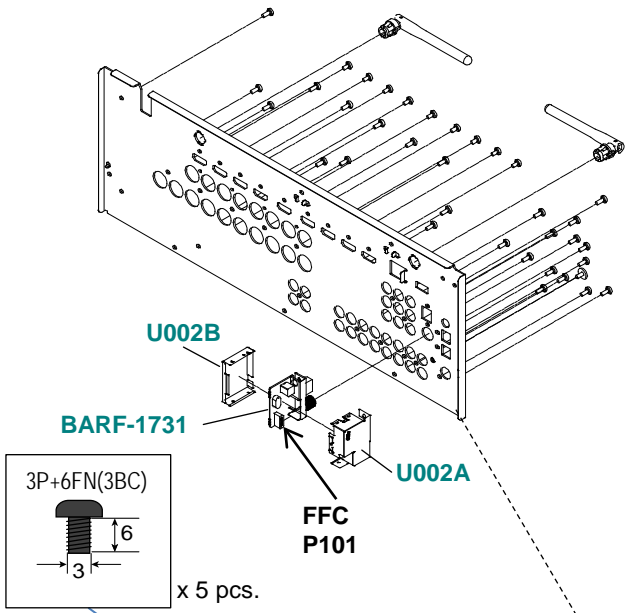
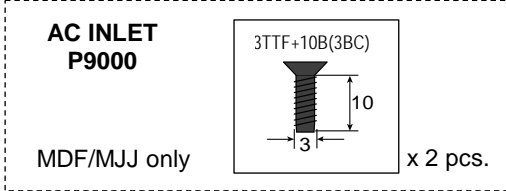
Exploded View



# Rear section



**U791 : WiFi/Bluetooth Module**  
 \* This module transmitter does not have RF shielding, therefore it will be equipped only the tested Audio system mentioning this document. Additional test will be required if it will be equipped to the other devices



This is TX-NR646. Other models are same mostly structurally. Please refer to PANEL pages for detailed place by the terminal.

# Exploded View

\*WiFi & Bluetooth Module has already been certificated by FCC and IC.  
 Information to the user:  
 Indicate "Contains FCC ID: TX2-RTL8723AS", "Contains IC: 6317A-RTL8723AS" and following information to the host device installed.

This device complies with part 15 of the FCC Rules. Operation is subject to the following two conditions: (1) This device may not cause harmful interference, and (2) this device must accept any interference received, including interference that may cause undesired operation.

Describe the following sentence to a user's manual of the host device.

[For FCC]  
**FCC CAUTION**  
 Changes or modifications not expressly approved by the party responsible for compliance could void the user's authority to operate the equipment.

Note: This equipment has been tested and found to comply with the limits for a Class B digital device, pursuant to part 15 of the FCC Rules. These limits are designed to provide reasonable protection against harmful interference in a residential installation. This equipment generates, uses and can radiate radio frequency energy and, if not installed and used in accordance with the instructions, may cause harmful interference to radio communications. However, there is no guarantee that interference will not occur in a particular installation. If this equipment does cause harmful interference to radio or television reception, which can be determined by turning the equipment off and on, the user is encouraged to try to correct the interference by one or more of the following measures:  
 —Reorient or relocate the receiving antenna.  
 —Increase the separation between the equipment and receiver.  
 —Connect the equipment into an outlet on a circuit different from that to which the receiver is connected.  
 —Consult the dealer or an experienced radio/TV technician for help.

This transmitter must not be co-located or operated in conjunction with any other antenna or transmitter.

This equipment complies with FCC radiation exposure limits set forth for an uncontrolled environment and meets the FCC radio frequency (RF) Exposure Guidelines in Supplement C to OET65. This equipment has very low levels of RF energy that it deemed to comply without maximum permissive exposure evaluation (MPE). But it is desirable that it should be installed and operated keeping the radiator at least 20cm or more away from person's body (excluding extremities: hands, wrists, feet and ankles).

[For IC]  
 CAN ICES-3 B/NMB-3 B

This device complies with Industry Canada licence-exempt RSS standard(s). Operation is subject to the following two conditions: (1) this device may not cause interference, and (2) this device must accept any interference, including interference that may cause undesired operation of the device.

Le présent appareil est conforme aux CNR d'Industrie Canada applicables aux appareils radio exempts de licence. L'exploitation est autorisée aux deux conditions suivantes : (1) l'appareil ne doit pas produire de brouillage, et (2) l'utilisateur de l'appareil doit accepter tout brouillage radioélectrique subi, même si le brouillage est susceptible d'en compromettre le fonctionnement.

This equipment complies with IC radiation exposure limits set forth for an uncontrolled environment and meets RSS-102 of the IC radio frequency (RF) Exposure rules. This equipment has very low levels of RF energy that it deemed to comply without maximum permissive exposure evaluation (MPE). But it is desirable that it should be installed and operated keeping the radiator at least 20cm or more away from person's body (excluding extremities: hands, wrists, feet and ankles).

Cet équipement est conforme aux limites d'exposition aux rayonnements énoncées pour un environnement non contrôlé et respecte les règles d'exposition aux fréquences radioélectriques (RF) CNR-102 de l'IC. Cet équipement émet une énergie RF très faible qui est considérée conforme sans évaluation de l'exposition maximale autorisée. Cependant, cet équipement doit être installé et utilisé en gardant une distance de 20 cm ou plus entre le dispositif rayonnant et le corps (à l'exception des extrémités : mains, poignets, pieds et chevilles).

付属品一式  
(取扱説明書 その他)

リモコン

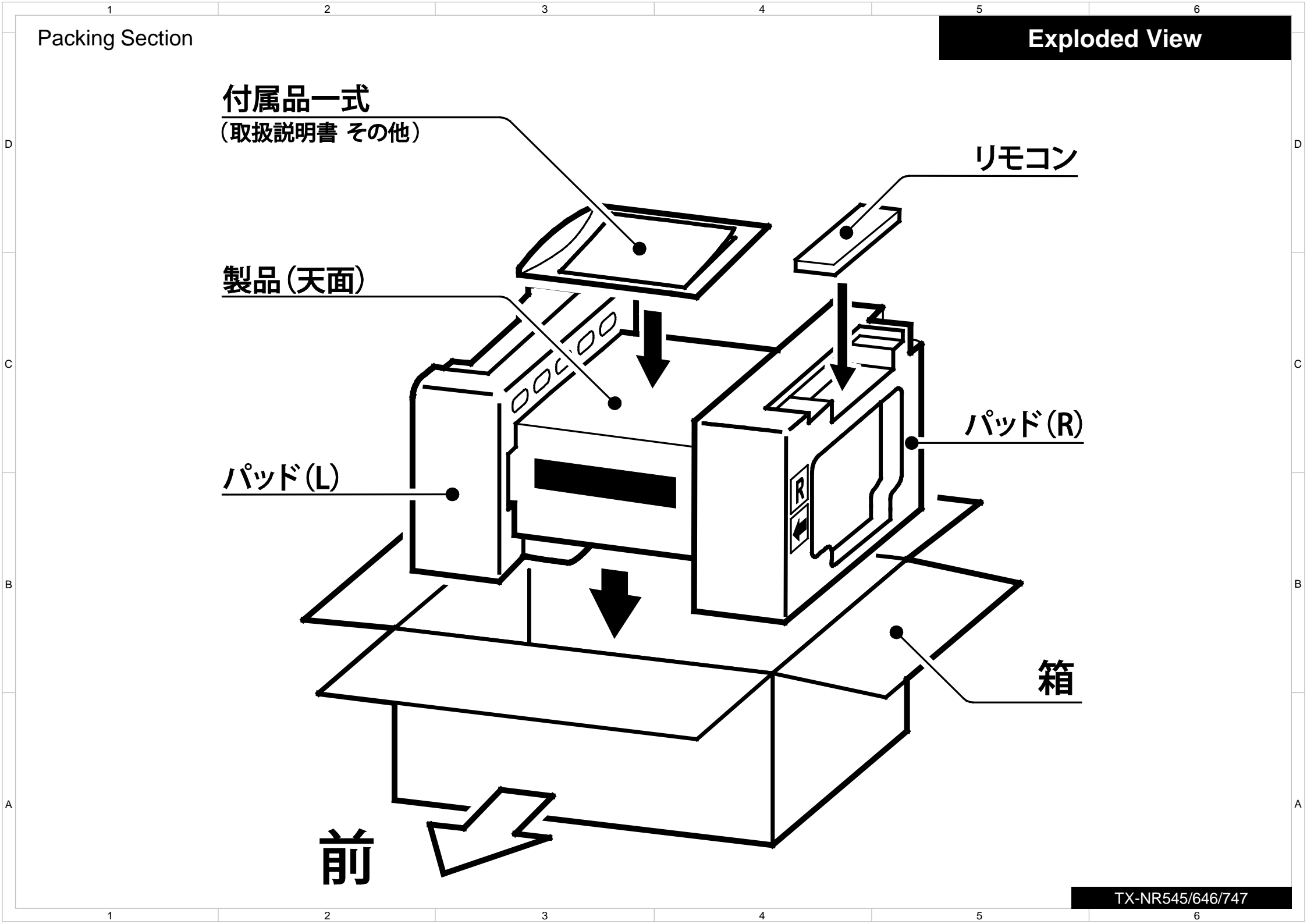
製品(天面)

パッド(R)

パッド(L)

箱

前



# Operation Check

## About Button Action

Use the following expression simplify description button operation.

Example-1 : [TV/CD] + [ON/STANDBY] → [BD/DVD]

Means press and hold [ON/STANDBY] while pressing [TV/CD] button, then press [BD/DVD] button.

Example-2 : [DISPLAY] + [ON/STANDBY] x 2 → [DIMMER] or [RT/PTY/TP]

Means press and hold [ON/STANDBY] button two times while pressing [DISPLAY] button, then press [DIMMER] or [RT/PTY/TP] button.

## How to check MAIN Checksum

[DISPLAY] + [ON/STANDBY] x 2 → [MEMORY]

## How to check FL Tube and LED Operation

[TV] + [ON/STANDBY] → [DIMMER] or [RT/PTY/TP]

## How to check Output Sensor & Temperature Sensor

[DISPLAY] + [ON/STANDBY] x 2 → [TONE]

[例] 001 042 E:x S:H

The level of VOLH

The temperature of the thermal sensor

The state of the cooling fan  
x:STOP, L:LOW SPEED, H:HIGH SPEED

Power supply change in the amplifier section  
H:High voltage, L:Low voltage

## Initial Setting for Shipping (Service Information is also cleared.)

### Step1

Set the volume level as 25. (TX-NR545/646/DTR-20.7/30.7)

Set the volume level as 30. (TX-NR747/DTR-40.7)

### Step2

[TONE] + [ON/STANDBY] → [Return] x 2

Display "All Clear" of FL tube and AVR goes standby.

### Step3

Unplug the power cord

### How to enter test mode

- Step1 : Set the volume level as 25. (TX-NR545/646/DTR-20.7/30.7)  
 Set the volume level as 30. (TX-NR747/DTR-40.7)
- Step2 : [TV] + [ON/STANDBY]  
 Display "TEST-\_"
- Step3 : Press the following button, while "TEST - " is displayed, then each test mode is set.

<b>1-00</b>	<b>2-00</b>	<b>3-00</b>	<b>4-00</b>	<b>5-00</b>	<b>6-00</b>
BD/DVD	CBL/Sat	STRM BOX	PC	GAME	AUX

### How to check buttons and Master Volume Operation

- Step1  
 Set the following test mode and confirm each buttons and master volume operation.
- |                       |   |
|-----------------------|---|
| Test mode (TEST 1-06) | [TV] + [ON/STANDBY] → [BD/DVD] → [TONE +] x 6 |
|-----------------------|---|
- Step2  
 If "ON/STANDBY" button is pressed, AVR escapes from this button test mode.  
 Therefore, press the "ON/STANDBY" button, after checking other buttons finished.

### How to check Output Sensor

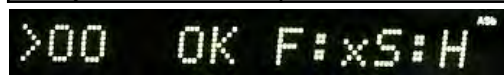
- Step1 : Low Detect check  
 When set the following test mode , if FL tube display "OK" then this check is passed.

Test mode (TEST 1-07)	[TV] + [ON/STANDBY] → [BD/DVD] → [TONE +] x 7
Relay	RL6430 and RL6440



- Step2 : High Detect check  
 When set the following test mode , if FL tube display "OK" then this check is passed.

Test mode (TEST 1-08)	[TV] + [ON/STANDBY] → [BD/DVD] → [TONE +] x 8
Relay	RL6430 and RL6440



### How to check FL Display

- Step1 : Set VOL Level = 25  
 Step2 : [TV] + [ON/STANDBY] → [DIMMER] or [RT/PTY/TP]

Lit all Segment.

Step3 : [TONE +]

Lit '23456789ABCDEF'.

Step4 : [TONE +]

Lit a even number segment.

Step5 : [TONE +]

Lit an odd number segment.

Step6 : [TONE +]

The Destination setting is displayed.

# Debug Mode

## Audio debug mode

The operations of DSP and DIR etc. are able to checked by the information displayed on FL in this debug mode. This information will help to analysing digital audio no sound trouble.

### How to enter to a audio debug mode

Step1 : [DISPLAY] + [ON/STANDBY] x 2

Display "Mx.xx / xxxxxxxx" --- Version number of MPU

Step2 : [DISPLAY]

Display "Nx.xx / xxxxxxxx" --- Version number of N or DA830/NET

Step3 : [DISPLAY]

Display Audio debug information

Step4 : [TONE+] = forward, [TONE-] =reverse

FL Display

1	1	2	2	3	3	:	4	4	:	5	5		
							[TONE+]↓			↑ [TONE-]			
6	6	6	:	7	:	8	8	8	:	9	:	10	
							[TONE+]↓			↑ [TONE-]			
1	:	11	11	11	11	12	12	12	K	13	13	13	k
							[TONE+]↓			↑ [TONE-]			
14	14	14	.	15	:	16	16	16	16	:	17	17	17
							[TONE+]↓			↑ [TONE-]			
2	:	18	:	19	19	19	19	:	20	20	20	20	
							[TONE+]↓			↑ [TONE-]			
	21	21	:	22	:	23	:	24	24	24		25	25
							[TONE+]↓			↑ [TONE-]			
26	26	27	27	28	*	29	*	30	30	31	31	32	32
							[TONE+]↓			↑ [TONE-]			
33	33	33	34	34	34	35	35	35	36	36	36		



# Debug Mode

## FL Display

1	1	2	2	3	3	:	4	4	:	5	5		
---	---	---	---	---	---	---	---	---	---	---	---	--	--

### 1. st\_srd.lmd

01	C_LM_LAST
02	C_LM_PURE
03	C_LM_DIRECT
04	C_LM_STEREO
05	C_LM_MONO
20	C_LM_SURR
50	C_LM_THX_MUSIC
70	C_LM_THX_GAME
90	C_LM_THX_CINEMA
A0	C_LM_THX_U2GAME
A8	C_LM_THX_U2MUSIC
B0	C_LM_THX_U2CINEMA
D0	C_LM_AUDYSSEY
48	C_LM_DTSSS
06	C_LM_ORCHESTRA
07	C_LM_UNPLUGGED
08	C_LM_STUDIOMIX
09	C_LM_TVLOGIC
0A	C_LM_ALLCHST
0B	C_LM_FULLMONO
0C	C_LM_TD
F1	C_LM_TESTTONE
F2	C_LM_TESTTHR
F3	C_LM_TESTAUTO
F4	C_LM_ASC
F5	C_LM_FLASH
F6	C_LM_DEBUGMODE
F7	C_LM_FLASH2
F8	C_LM_FLASH3
F9	C_LM_FLASH4
FA	C_LM_FLASH_CHECK
0D	C_LM_RPG
0E	C_LM_ACTION
0F	C_LM_ROCKBAND
10	C_LM_SPORTS

### 2. st\_srd.extdec

00	C_EXTDEC_OFF
01	C_EXTDEC_20_PLII
02	C_EXTDEC_20_PLIIX
03	C_EXTDEC_20_PLIIZ
04	C_EXTDEC_20_NEO6
05	C_EXTDEC_51_MTR
06	C_EXTDEC_51_DSC
07	C_EXTDEC_51_NEO6
08	C_EXTDEC_51_EX
09	C_EXTDEC_51_PLIIX
0A	C_EXTDEC_51_PLIIZ
0B	C_EXTDEC_9624
0C	C_EXTDEC_9624_MTR
0E	C_EXTDEC_71MULTI
0F	C_EXTDEC_20_NEURAL
10	C_EXTDEC_51_NEURAL
13	C_EXTDEC_DOLBY_20_SURR
14	C_EXTDEC_DOLBY_51_SURR

### 3. st\_srd.extdecmd

00	C_EXTDECMD_OFF
01	C_EXTDECMD_10
02	C_EXTDECMD_20
03	C_EXTDECMD_MOVIE
04	C_EXTDECMD_MUSIC
05	C_EXTDECMD_GAME
06	C_EXTDECMD_HEIGHT
07	C_EXTDECMD_WIDE

### 4. Muting port

D	DIGMUTE port
A	AMUTE port

### 5. Factor of muting

bit_1	SELMUTE
bit_2	POWMUTE
bit_3	PROTECTMUTE
bit_4	AUDIOOUTMUTE
bit_5	AUDIOMUTE
bit_6	DIRMUTE
bit_7	DACMUTE
bit_8	HDMIMUTE

## FL Display

6	6	6	:	7	:	8	8	8	:	9	:	10	
---	---	---	---	---	---	---	---	---	---	---	---	----	--

### 6. Audio input channel

ANA	Analog
COX	Coaxial
OPT	Optical
HDM	HDMI
ARC	ARC

### 7. DSP decode

0	DSP Detect OK
x	DSP No Detect

### 8. HDMI audio lock

STB	SOUND STATE FIX
TRS	SOUND STATE UNFIX
NON	SOUND STATE NONE

### 9. Display inhibit frag

S	display inhibit SET
C	display inhibit CLR

### 10. RX mute

V	HDMI MUTE
---	-----------

FL Display

1	:	11	11	11	11	12	12	12	k	13	13	13	k
---	---	----	----	----	----	----	----	----	---	----	----	----	---

**11. source\_format**

UNLK	DDR_UNLOCK
ANA	DDR_ANALOG
PCM	DDR_PCM
AC3	DDR_AC3
DTS	DDR_DTS
MPEG	DDR_MPEG
DATA	DDR_DATA
UNKW	DDR_UNKNOWN
NORD	DDR_NOT_READY
NPCM	DDR_NOT_PCM
FS96	DDR_FS96
NODT	DDR_NOT_DETECT
DTSC	DDR_DTSCD
AAC	DDR_AAC
MPCM	DDR_MCHPCM
MCH	DDR_MCH
TRUE	DDR_TRUE
MSTR	DDR_MSTR
DSD	DDR_DSD
PLUS	DDR_DDPLUS
EXPR	DDR_DTSEXP
DTSH	DDR_DTSHD

**12. st\_srd.fs**

???	unknown
008	8kHz
011	11kHz
012	12kHz
016	16kHz
022	22kHz
024	24kHz
032	32kHz
044	44.1kHz
048	48kHz
064	64Hz
088	88.2kHz
096	96kHz
176	176.4kHz
192	192kHz

**13. st\_hd\_display.fs**

???	unknown
008	8kHz
011	11kHz
012	12kHz
016	16kHz
022	22kHz
024	24kHz
032	32kHz
044	44.1kHz
048	48kHz
064	64Hz
088	88.2kHz
096	96kHz
176	176.4kHz
192	192kHz

FL Display

14	14	14	.	15	:	16	16	16	16	:	17	17	17
----	----	----	---	----	---	----	----	----	----	---	----	----	----

**14. Information of the input channels for listening mode transition**

???	C_FMT_UNKNOWN
10	C_FMT_10
20	C_FMT_20
30	C_FMT_30
21	C_FMT_21
31	C_FMT_31
22	C_FMT_22
32	C_FMT_32
23	C_FMT_23
33	C_FMT_33
24	C_FMT_24
34	C_FMT_34
4H2	C_FMT_42H
5H2	C_FMT_52H
4W2	C_FMT_42W
5W2	C_FMT_52W
4H4	C_FMT_44H
4H3	C_FMT_43H
5H4	C_FMT_54H
5H3	C_FMT_53H
4W4	C_FMT_44W
4W3	C_FMT_43W
5W4	C_FMT_54W
5W3	C_FMT_53W
11	C_FMT_11

**15. Information of the LFE channel input**

0	SW 0ch
1	SW 1ch
2	SW 2ch

**16. Channel information of the FL display**

Four digit string "10.2", "5.", "+1"

**17. Number of channels after decoding**

???	C_FMT_UNKNOWN
10	C_FMT_10
20	C_FMT_20
30	C_FMT_30
21	C_FMT_21
31	C_FMT_31
22	C_FMT_22
32	C_FMT_32
23	C_FMT_23
33	C_FMT_33
24	C_FMT_24
34	C_FMT_34
4H2	C_FMT_42H
5H2	C_FMT_52H
4W2	C_FMT_42W
5W2	C_FMT_52W
4H4	C_FMT_44H
4H3	C_FMT_43H
5H4	C_FMT_54H
5H3	C_FMT_53H
4W4	C_FMT_44W
4W3	C_FMT_43W
5W4	C_FMT_54W
5W3	C_FMT_53W
11	C_FMT_11

# Debug Mode

FL Display

2	:	18	:	19	19	19	19	:	20	20	20	20
---	---	----	---	----	----	----	----	---	----	----	----	----

## 18. Audio output OK/NG

O	decode OK
X	decode NG

## 19. Details of input format

ANA	C_SRC_ANA
PCM	C_SRC_PCM
DLB	C_SRC_DD
DEX	C_SRC_DD_EX
DTS	C_SRC_DTS
MTR	C_SRC_DTS_MTR
DSC	C_SRC_DTS_DSC
D96	C_SRC_DTS_96
96M	C_SRC_DTS_96M
AAC	C_SRC_AAC
MCH	C_SRC_MCH
DSP	C_SRC_DSP
MPCM	C_SRC_MCHPCM
DSD	C_SRC_DSD
TRUE	C_SRC_TRUE
TREX	C_SRC_TRUE_EX
MSTR	C_SRC_MSTR
PLUS	C_SRC_DDPLUS
PLEX	C_SRC_DDPLUS_EX
EXP	C_SRC_DTSEXP
DTSH	C_SRC_DTSHD
DSUR	C_SRC_DD_SUR
DPSR	C_SRC_DDPLUS_SUR
TRSR	C_SRC_TRUE_SUR

## 20. Details of the format for the FL display

ANA	C_SRC_ANA
PCM	C_SRC_PCM
DLB	C_SRC_DD
DEX	C_SRC_DD_EX
DTS	C_SRC_DTS
MTR	C_SRC_DTS_MTR
DSC	C_SRC_DTS_DSC
D96	C_SRC_DTS_96
96M	C_SRC_DTS_96M
AAC	C_SRC_AAC
MCH	C_SRC_MCH
DSP	C_SRC_DSP
MPCM	C_SRC_MCHPCM
DSD	C_SRC_DSD
TRUE	C_SRC_TRUE
TREX	C_SRC_TRUE_EX
MSTR	C_SRC_MSTR
PLUS	C_SRC_DDPLUS
PLEX	C_SRC_DDPLUS_EX
EXP	C_SRC_DTSEXP
DTSH	C_SRC_DTSHD
DSUR	C_SRC_DD_SUR
DPSR	C_SRC_DDPLUS_SUR
TRSR	C_SRC_TRUE_SUR

# Appendix

FL Display

21	21	:	22	:	23	:	24	24	24	:	25	25
----	----	---	----	---	----	---	----	----	----	---	----	----

## 21. Dialog norm

Dialog norm value from 0 to 31

## 22. Return value of DIRINIT request dir (DDC\_STATUS)

O	LOCK
X	UNLOCK

## 23. Return value of DIR busy or free Request\_dir (DDC\_BUSY)

F	Free
B	Busy

## 24. emphasis of information

ON	ON
OFF	OFF

## 25. HDDVD/BLUE(only DDPLUS)

BD	Blu-ray
HD	HDDVD

FL Display

26	26	27	27	28	*	29	*	30	30	31	31	32	32
----	----	----	----	----	---	----	---	----	----	----	----	----	----

<b>26. Audio IF DA830 input</b>				<b>30. DIR sequence number</b>			
IH	AUD_IF_I2S_H	00	SEQ_DIG_POWEROFF				
DS	AUD_IF_DSD	10	SEQ_DIG_RESET				
IS	AUD_IF_I2S	11	SEQ_DIG_POWERON_WAIT				
NT	AUD_IF_NET	12	SEQ_DIG_RESTART				
SP	AUD_IF_SPDIF	13	SEQ_DIG_WAIT_HDMI_FREE				
AD	AUD_IF_ADC	20	SEQ_DIG_INPSEL_SET				
HR	AUD_IF_DDDTSHR	30	SEQ_DIG_ANALOG_SET				
<b>27. Information of DIR Burst Preamble</b>							
DS	DTSHD HR	31	SEQ_DIG_DIGITAL_SET				
DP	DD PLUS	32	SEQ_DIG_MCHPCM_SET				
Preamble Val	0x??	33	SEQ_DIG_MCHANA_SET				
<b>28. DIR Free or Busy</b>							
F	Free	34	SEQ_DIG_DDPDTSHD_SET				
B	Busy	35	SEQ_DIG_NET_SET				
<b>29. DIR Detect Fs</b>							
00	CLOCK_FREQ_UNKNOWN	40	SEQ_DIG_INIT_ERROR				
01	CLOCK_FREQ_8K	41	SEQ_DIG_CHK_ERROR1				
02	CLOCK_FREQ_11K	42	SEQ_DIG_CHK_ERROR2				
03	CLOCK_FREQ_12K	43	SEQ_DIG_CHK_FREE				
04	CLOCK_FREQ_16K	50	SEQ_DIG_CHK_ANALOG				
05	CLOCK_FREQ_22K	60	SEQ_DIG_LOCK_PLL				
06	CLOCK_FREQ_24K	61	SEQ_DIG_LOCK_ANA				
07	CLOCK_FREQ_32K	F0	SEQ_DIG_FREE				
08	CLOCK_FREQ_44K	f1	SEQ_DIG_FREE_ANA				
09	CLOCK_FREQ_48K	<b>31. DIR switch sequence number</b>					
0A	CLOCK_FREQ_64K	00	SEQ_SWITCH_POWEROFF				
0B	CLOCK_FREQ_88K	01	SEQ_SWITCH_RESET				
0C	CLOCK_FREQ_96K	02	SEQ_SWITCH_POWERON_WAIT				
0D	CLOCK_FREQ_128K	03	SEQ_SWITCH_CHANGE				
0E	CLOCK_FREQ_176K	04	SEQ_SWITCH_FREE				
0F	CLOCK_FREQ_192K	<b>32. DAC sequence number</b>					
		00	SEQ_DAC_POWEROFF				
		01	SEQ_DAC_RESET				
		02	SEQ_DAC_POWERON_WAIT				
		03	SEQ_DAC_INITIALIZE				
		04	SEQ_DAC_RESTART				
		05	SEQ_DAC_CMND_SET				
		06	SEQ_DAC_FREE_WAIT				
		07	SEQ_DAC_FREE				

FL Display

33	33	33	34	34	34	35	35	35	36	36	36
----	----	----	----	----	----	----	----	----	----	----	----

<b>33. Information of the input FS of DA830</b>				<b>35. Information of the input MCLK of DA830</b>			
UNK	C_FS_UNKNOWN	64	AUD_MCLK_64Fs				
8	C_FS_08	128	AUD_MCLK_128Fs				
11	C_FS_11	256	AUD_MCLK_256Fs				
12	C_FS_12	384	AUD_MCLK_384Fs				
16	C_FS_16	512	AUD_MCLK_512Fs				
22	C_FS_22	640	AUD_MCLK_640Fs				
24	C_FS_24	768	AUD_MCLK_768Fs				
32	C_FS_32	<b>36. State of the audio input of DA830</b>					
44	C_FS_44	NO	AUD_STS_SOUND_NO				
48	C_FS_48	TRS	AUD_STS_SOUND_TRANS				
64	C_FS_64	STB	AUD_STS_SOUND_STAB				
88	C_FS_88						
96	C_FS_96						
176	C_FS_176						
192	C_FS_192						
<b>34. Information of the output FS of DA830</b>							
UNK	C_FS_UNKNOWN						
8	C_FS_08						
11	C_FS_11						
12	C_FS_12						
16	C_FS_16						
22	C_FS_22						
24	C_FS_24						
32	C_FS_32						
44	C_FS_44						
48	C_FS_48						
64	C_FS_64						
88	C_FS_88						
96	C_FS_96						
176	C_FS_176						
192	C_FS_192						

# Debug Mode

## HDMI resolution display

HDMI-related operations can be checked to some extent by displaying HDMI resolution display mode.

### How to enter to this mode

Step1 : [ENTER] Hold down for 3 seconds

### The display order

Display of the input signal

Step1 : Display of the input signal (for 5 seconds)

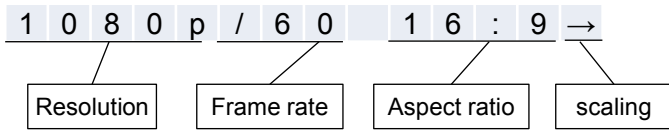


Step2 : Display of the output signal (for 5 seconds)

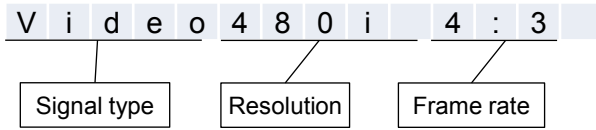
# Debug Mode

## Display of the input signal

Digital



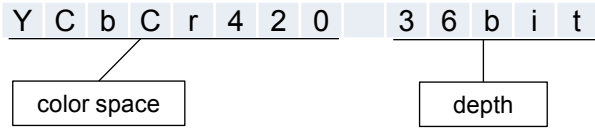
Analog



Input signal	Display
• DVI	4 8 0 i / 6 0    1 6 : 9
	4 8 0 P / 6 0    4 : 3
• VGA(DVI)	* V G A / 5 9    4 : 3
• Pixel Repetition	Pixel Rep. 2: D (Except 480i)
	Pixel Rep. 4: Q
	Pixel Rep. 8: O
• CVBS	V i d e o 4 8 0 i    4 : 3
• Component	C M P    5 7 6 i 1 6 : 9
• 21:9 (Pixel AR ≠ 1:1)	1 0 8 0 p / 6 0    2 1 : 9
• 21:9 (Pixel AR = 1:1)	1 0 8 0 w / 6 0    2 1 : 9
• LTE TMD5 Clock340MHz	1 0 8 0 p / 6 0 S 1 6 : 9
• No input	U n k n o w n

Display of the output signal

Output resolution



Output resolution (4k scaling)

4 K 6 0 p 4 2 0    3 0 b i t

Output resolution (dawn scaling)

1 0 8 0 p 4 2 2    2 4 b i t

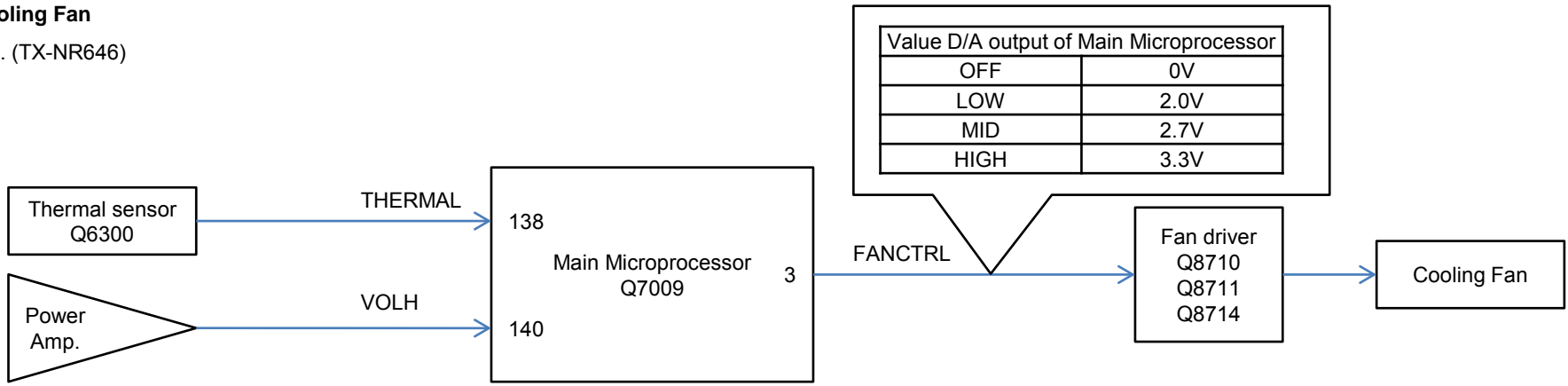
Output resolution (IP converter)

4 8 0 p 4 4 4    2 4 b i t

Output signal	Display
• RSEN OFF	RGB 48b *
• EDID_READ_NG	DVI 24b #
• Resolution Error	YCbCr444 48b E
• DVIの場合	DVI 24bit
• No output	- - - - -
• 4096 x 2160p	4K60p RGB # 24bit
• LTE340MHz	RGB 24b S
• Signal generate	480p RGB Gen
• Cannot detect the hot-plug	OFF

# About Cooling Fan

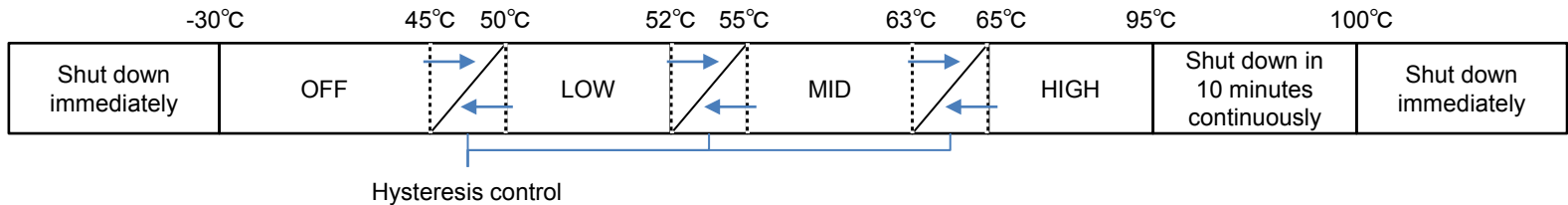
**Cooling Fan**  
E.g. (TX-NR646)



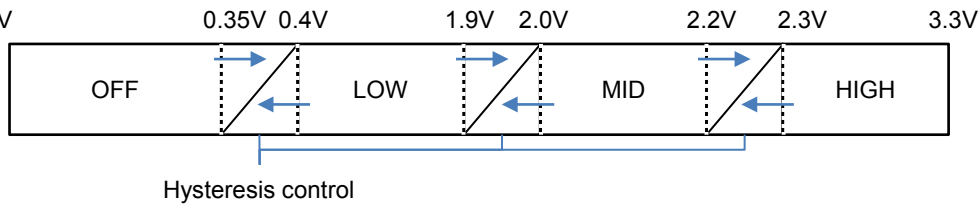
**Condition to operate**

		VOLH			
		OFF or Headphone	LOW	MID	HIGH
THERMAL	OFF	STOP	STOP	STOP	STOP
	LOW	LOW	LOW	LOW	LOW
	MID	LOW	MID	MID	MID
	HIGH	HIGH	HIGH	HIGH	HIGH

**THERMAL (Temperature of thermal sensor)**



**VOLH (Voltage of VOLH port)**





**Service Information Mode**

**Displaying Service information**

This service information display system is helpful in analyze the status when the unit goes into Protect mode and is powered off. Pay attention that the status will change if a button is pushed.

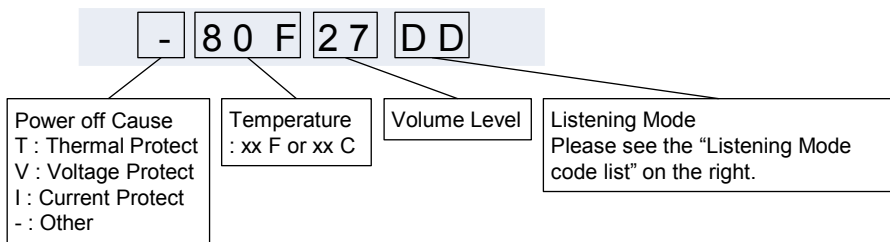
**How to enter to service information mode.**

- Step1 : Set the volume level as 25. (TX-NR545/646/DTR-20.7/30.7)  
Set the volume level as 30. (TX-NR747/DTR-40.7)

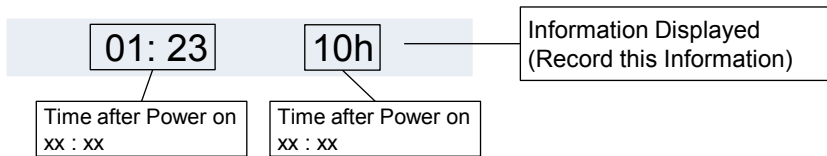
Step2 : [DISPLAY] + [ON/STANDBY] x 2



Step3 : [HOME]

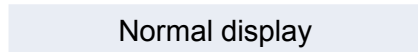


Step4 : [HOME]

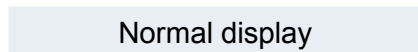
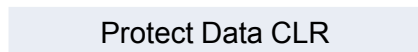


**To exit the service information mode.**

[ON/STANDBY]



[RETURN] (to initialize the data in the service information.)



Listening Mode Code List

01	C_LM_LAST
02	C_LM_PURE
03	C_LM_DIRECT
04	C_LM_STEREO
05	C_LM_MONO
20	C_LM_SURR
50	C_LM_THX_MUSIC
70	C_LM_THX_GAME
90	C_LM_THX_CINEMA
A0	C_LM_THX_U2GAME
A8	C_LM_THX_U2MUSIC
B0	C_LM_THX_U2CINEMA
D0	C_LM_AUDYSSEY
48	C_LM_DTSSS
06	C_LM_ORCHESTRA
07	C_LM_UNPLUGGED
08	C_LM_STUDIOMIX
09	C_LM_TVLOGIC
0A	C_LM_ALLCHST
0B	C_LM_FULLMONO
0C	C_LM_TD
F1	C_LM_TESTTONE
F2	C_LM_TESTTHR
F3	C_LM_TESTAUTO
F4	C_LM_ASC
F5	C_LM_FLASH
F6	C_LM_DEBUGMODE
F7	C_LM_FLASH2
F8	C_LM_FLASH3
F9	C_LM_FLASH4
FA	C_LM_FLASH_CHECK
0D	C_LM_RPG
0E	C_LM_ACTION
0F	C_LM_ROCKBAND
10	C_LM_SPORTS

## TX-NR747(B)MDC

## &lt;Note&gt;

Parts marked by "NSP" are generally unavailable because they are not in our Master Spare Parts List.

**NOTE : THE COMPONENTS IDENTIFIED BY THE MARK ! ARE CRITICAL FOR RISK OF FIRE AND ELECTRIC SHOCK. REPLACE ONLY WITH PART NUMBER SPECIFIED.**

## &lt;Notes&gt;

(B) : Black color model

&lt;MDC&gt; : 120V

Canadian/USA/(Mexico) model

: NSP

## TX-NR747(B)MDC

## EXPLODED VIEW PARTS LIST

REF. NO.	PART NAME	DESCRIPTION	Q'TY	PART NO. (SN)	REMARKS
<b>[SEMI CONDUCTOR]</b>					
F6402E	LABEL	15A/250V	1	29362252	
Q6050	TRANSISTOR	2SC5242-O	1	2202843	
Q6050 or	TRANSISTOR	2SC3856-O	(1)	2201653	
Q6050 or	TRANSISTOR	2SC5242-R	(1)	2202842	
Q6051	TRANSISTOR	2SC5242-O	1	2202843	
Q6051 or	TRANSISTOR	2SC3856-O	(1)	2201653	
Q6051 or	TRANSISTOR	2SC5242-R	(1)	2202842	
Q6052	TRANSISTOR	2SC5242-O	1	2202843	
Q6052 or	TRANSISTOR	2SC3856-O	(1)	2201653	
Q6052 or	TRANSISTOR	2SC5242-R	(1)	2202842	
Q6053	TRANSISTOR	2SC5242-O	1	2202843	
Q6053 or	TRANSISTOR	2SC3856-O	(1)	2201653	
Q6053 or	TRANSISTOR	2SC5242-R	(1)	2202842	
Q6054	TRANSISTOR	2SC5242-O	1	2202843	
Q6054 or	TRANSISTOR	2SC3856-O	(1)	2201653	
Q6054 or	TRANSISTOR	2SC5242-R	(1)	2202842	
Q6055	TRANSISTOR	2SC5242-O	1	2202843	
Q6055 or	TRANSISTOR	2SC3856-O	(1)	2201653	
Q6055 or	TRANSISTOR	2SC5242-R	(1)	2202842	
Q6056	TRANSISTOR	2SC5242-O	1	2202843	
Q6056 or	TRANSISTOR	2SC3856-O	(1)	2201653	
Q6056 or	TRANSISTOR	2SC5242-R	(1)	2202842	
Q6060	TRANSISTOR	2SA1962-O	1	2202833	
Q6060 or	TRANSISTOR	2SA1492-O	(1)	2201663	
Q6060 or	TRANSISTOR	2SA1962-R	(1)	2202832	
Q6061	TRANSISTOR	2SA1962-O	1	2202833	
Q6061 or	TRANSISTOR	2SA1492-O	(1)	2201663	
Q6061 or	TRANSISTOR	2SA1962-R	(1)	2202832	
Q6062	TRANSISTOR	2SA1962-O	1	2202833	
Q6062 or	TRANSISTOR	2SA1492-O	(1)	2201663	
Q6062 or	TRANSISTOR	2SA1962-R	(1)	2202832	
Q6063	TRANSISTOR	2SA1962-O	1	2202833	
Q6063 or	TRANSISTOR	2SA1492-O	(1)	2201663	
Q6063 or	TRANSISTOR	2SA1962-R	(1)	2202832	
Q6064	TRANSISTOR	2SA1962-O	1	2202833	
Q6064 or	TRANSISTOR	2SA1492-O	(1)	2201663	
Q6064 or	TRANSISTOR	2SA1962-R	(1)	2202832	
Q6065	TRANSISTOR	2SA1962-O	1	2202833	
Q6065 or	TRANSISTOR	2SA1492-O	(1)	2201663	
Q6065 or	TRANSISTOR	2SA1962-R	(1)	2202832	
Q6066	TRANSISTOR	2SA1962-O	1	2202833	
Q6066 or	TRANSISTOR	2SA1492-O	(1)	2201663	
Q6066 or	TRANSISTOR	2SA1962-R	(1)	2202832	
<b>[CHASSIS SCREW]</b>					
A002	LEG	(B)	4	27175464	
A025A	LABEL	(E-CON)	{ 1 }	29364978	
A035	LABEL	(PT)ONKYO	1	29392594	
A101	REAR PANEL	TXNR747MDC	1	27124665B	N
A105	LABEL	(SP 7ch+Z2)MONO	1	29392788	
A110	CUSHION	(ZUL)	4	28141877	
<b>[CABINET]</b>					
A201	FRONT PANEL	TXNR747(B)DC	1	27213774B	N
A202	CLEAR PLATE	TXNR646(B)DC	1	28192452A	
A203	BADGE		1	28135317	

A204	KNOB	(TONE)(B)	1	28326918	
A205	KNOB	(INP)B_737	1	28327166A	
A206	KNOB	(SEL)	1	28326906B	
A207	KNOB	(INP-L)B_737	1	28327168A	
A208	KNOB	(INP-R)B_737	1	28327169A	
A209	FACET	(KNOB)_737	2	28200075	
A210	KNOB	(STBY)(B)	1	28327234	
A210 or	KNOB	(STBY)(B)	(1)	28326904	
A211	KNOB	(CUR)	1	28326996	
A212	KNOB	(VOL)AS(B)_525	1	28327142	
A401	COVER	(B) (Bent)	1	28210093	
A401	COVER	(B) (Not Bent)	1	28210093Z	
A404	LABEL	(CAUTION)	1	29392531	
<b>[TRANS COIL]</b>					
T901	POWER TRANSFORMER	NPT-1652D	1	2302122A	N, !
<b>[SW TRM]</b>					
F6401	FUSE	15A-TUL-250V	1	252303GR	!
F6401 or	FUSE	15A-UL/T-314	(1)	252197GR	!
F6402	FUSE	15A-TUL-250V	1	252303GR	!
F6402 or	FUSE	15A-UL/T-314	(1)	252197GR	!
F9002	FUSE	10A-UL/T-233	1	252330GR	!
F9002 or	FUSE	10A-T/UL-ST2	(1)	252333GR	!
P101	FLEXIBLE FLAT CABLE	NCFC7-071012	1	2047071012	
P2510	FAN	KF1225B1E-33ACFG9RB	1	24502336	
P2800	FLEXIBLE FLAT CABLE	NCFC5-131012	1	2045131012	
P7001	FLEXIBLE FLAT CABLE	NCFC5-233012	1	2045233012	
P8651	CORD ASSEMBLY	HDMI 0.30M	1	2010514	
P9001	POWER SUPPLY CORD	AS-UC-2	1	253368AYUN	!
P9001 or	POWER SUPPLY CORD	AS-UC-2	(1)	253368BLTK	!
<b>[TUNER UNIT]</b>					
<b>U001</b>	<b>PARENT PC BOARD AS</b>	<b>BAAF-1720-1J * (Parent)</b>	<b>1</b>	<b>1B303520-1J</b>	<b>MDC</b>
BAAF-1720	ASP/ AMP PC BOARD AS	BAAF-1720-1J (Child)	1	1B3035720-1J	
BAETC-1721	THERMAL SENSOR PC BOARD AS	BAETC-1721-1J (Child)	1	1B3035721-1J	
BAETC-1722	SPASER(SENSOR) PC BOARD AS	BAETC-1722-1J (Child)	1	1B3035722-1J	
<b>U002</b>	<b>PARENT PC BOARD AS</b>	<b>BADIS-1740-1E * (Parent)</b>	<b>1</b>	<b>1B303540-1E</b>	<b>MDC</b>
BARF-1731	TUNER PC BOARD AS	BARF-1731-1E (Child)	1	1B3035731-1E	
BADIS-1740	DISPLAY PC BOARD AS	BADIS-1740-1E (Child)	1	1B3035740-1E	
BADIS-1740	DISPLAY PC BOARD AS	BADIS-1740-1E (Child)	1	1B3035740-1E	
BADG-1742	DIGITAL IN/ LPF PC BOARD AS	BADG-1742-1E (Child)	1	1B3035742-1E	
BAPS-1743	POWER SUPPLY(PRI) PC BOARD AS	BAPS-1743-1E (Child)	1	1B3035743-1E	
BAETC-1745	PNOHE JACK PC BOARD AS	BAETC-1745-1E (Child)	1	1B3035745-1E	
BACLA-1746	VOLTAGE AMP PC BOARD AS	BACLA-1746-1E (Child)	1	1B3035746-1E	
<b>U003</b>	<b>PARENT PC BOARD AS</b>	<b>BATRM-1754-1J * (Parent)</b>	<b>1</b>	<b>1B303554-1J</b>	<b>MDC</b>
BATRM-1754	TEMINAL (VIDEO/ SPEAKER) PC BOARD AS	BATRM-1754-1J (Child)	1	1B3035754-1J	
BAETC-1755	HOLDER (部品なし) PC BOARD AS	BAETC-1755-1J (Child)	1	1B3035755-1J	
BAETC-1756	HOLDER (部品なし) PC BOARD AS	BAETC-1756-1J (Child)	1	1B3035756-1J	
BAETC-1757	HOLDER (部品なし) PC BOARD AS	BAETC-1757-1J (Child)	1	1B3035757-1J	
<b>U004</b>	<b>PARENT PC BOARD AS</b>	<b>BAPRC-1760-1N * (Parent)</b>	<b>1</b>	<b>1B303560-1N</b>	<b>MDC</b>
BAPRC-1760	PROCESSOR PC BOARD AS	BAPRC-1760-1N (Child)	1	1B3035760-1N	
<b>U006</b>	<b>PARENT PC BOARD AS</b>	<b>BAHDM-1770-1A * (Parent)</b>	<b>1</b>	<b>1B303570-1A</b>	<b>MDC</b>
BAHDM-1770	FRONT HDMI TERMINAL PC BOARD AS	BAHDM-1770-1A (Child)	1	1B3035770-1A	
BARF-1771	BLUETOOTH CONNECTOR PC BOARD AS	BARF-1771-1A (Child)	1	1B3035771-1A	
U002A	SHIELD CASE	(TUNER-TOP)	1	27225206A	
U002B	SHIELD CASE	(TUNER-BTM)	1	27225207A	
U791	WIFI BT COMB MODULE	WCBN4601L-O1(wANT_OUT)	1	24850702	
U791A	ASSEMBLED PWB	WCBN4601L-O1	{ 1}	24150122	
U791B	WIFI BT ANTENA	AN-241NIPK06_L	{ 1}	2050093	
U791C	WIFI BT ANTENA	AN-241NIPK06_R	{ 1}	2050094	
U791D	HOLDER	HOLDER(ANT)	{ 2}	27191377	

TX-NR747(B)MDC

## PACKING PROCEDURES PARTS LIST

REF. NO.	PART NAME	DESCRIPTION	Q'TY	PART NO. (SN)	REMARKS
<b>[PACKING]</b>					
A601	PAD	(AS)	1	29092663	
A601A	PAD	(L)	{ 1}	29092664	
A601B	PAD	(R)	{ 1}	29092665	
A602	SHEET	1300 x 650	1	29096147	
A603	TAPE	(SEROHAN)NITTO NO.29	1	29110149	
A606	BAG	(125 x 350 x 0.05)	1	29100269	
A607	TAPE	(SEROHAN)NITTO NO.29	1	29110149	
A701	CARTON	TX-NR747DC	1	29055529B	<b>N</b>
A702	POLYPROPYLENE TAPE	W50 SBT-70	1	29110200	
A703A	UPC LABEL	TXNR747MDC	{ 1}	29392752A	<b>N</b>
<b>[ACCESSARY]</b>					
A801	POLY BAG	w250xd350	1	29100250A	
A802	TAPE	(SEROHAN)NITTO NO.29	1	29110149	
A803	REMOTE CONTROL TRANSMITTER	RC-898M	1	24140898	
A804	BATTERY	R6/AA(UM-3)	2	3010194	
A804 or	BATTERY	R6/AA(UM-3)	( 2)	3010054	
A805	MIC	MIC-5011	1	245047	
A806	ANTENNA COIL	AM LOOP-ANTENNA	1	232207	
A807	FM ANT AS	Type W	1	292191	
A811	WARRANTY CARD	(ONKYO)	1	29365156	
A901	INSTRUCTION MANUAL	BAS_En(TXNR747)	1	29401986	
A902	INSTRUCTION MANUAL	BAS_Fr Es(TXNR747)	1	29401987	
A913	INSTRUCTION MANUAL	SAFETY_U4(EnFrEsCt)	1	29401783	
A920	INSTRUCTION SHEET	15AVR_DTSX_U12	1	29355946	

TX-NR747(B)MDC

## PC BOARD PARTS LIST

U001

BAAF-1720-1J

: NSP

CIRCUIT NO	PART NAME	DESCRIPTION	Q'TY	PART NO. (SN)	REMARKS
<b>[SEMI CONDUCTOR]</b>					
D4171	ZENER DIODE	DZ2J075M0L	1	224760750R2	
D4171 or	ZENER DIODE	UDZS7.5B	(1)	224550750R2	
D4172	ZENER DIODE	DZ2J075M0L	1	224760750R2	
D4172 or	ZENER DIODE	UDZS7.5B	(1)	224550750R2	
D4204	CHIP TYPE DIODE	DA2J10100	1	223303R2	
D4204 or	CHIP TYPE DIODE	1SS352	(1)	223234R2	
D4206	CHIP TYPE DIODE	DA2J10100	1	223303R2	
D4206 or	CHIP TYPE DIODE	1SS352	(1)	223234R2	
D4214	CHIP TYPE DIODE	DA2J10100	1	223303R2	
D4214 or	CHIP TYPE DIODE	1SS352	(1)	223234R2	
D4216	CHIP TYPE DIODE	DA2J10100	1	223303R2	
D4216 or	CHIP TYPE DIODE	1SS352	(1)	223234R2	
D4300	DIODE	RL1N4003	1	22380260T	
D4301	DIODE	RL1N4003	1	22380260T	
D4302	DIODE	RL1N4003	1	22380260T	
D4303	DIODE	RL1N4003	1	22380260T	
D4304	DIODE	RL1N4003	1	22380260T	
D4305	DIODE	RL1N4003	1	22380260T	
D4307	CHIP TYPE DIODE	DA2J10100	1	223303R2	
D4307 or	CHIP TYPE DIODE	1SS352	(1)	223234R2	
D4308	CHIP TYPE DIODE	DA2J10100	1	223303R2	
D4308 or	CHIP TYPE DIODE	1SS352	(1)	223234R2	
D4309	CHIP TYPE DIODE	DA2J10100	1	223303R2	
D4309 or	CHIP TYPE DIODE	1SS352	(1)	223234R2	
D4319	CHIP TYPE DIODE	DA2J10100	1	223303R2	
D4319 or	CHIP TYPE DIODE	1SS352	(1)	223234R2	
D4500	ZENER DIODE	DZ2J075M0L	1	224760750R2	
D4500 or	ZENER DIODE	UDZS7.5B	(1)	224550750R2	
D4501	ZENER DIODE	DZ2J075M0L	1	224760750R2	
D4501 or	ZENER DIODE	UDZS7.5B	(1)	224550750R2	
D5003	ZENER DIODE	DZ2J056M0L	1	224760560R2	
D5003 or	ZENER DIODE	UDZS5.6B	(1)	224550560R2	
D5004	ZENER DIODE	DZ2J056M0L	1	224760560R2	
D5004 or	ZENER DIODE	UDZS5.6B	(1)	224550560R2	
D5005	ZENER DIODE	DZ2J056M0L	1	224760560R2	
D5005 or	ZENER DIODE	UDZS5.6B	(1)	224550560R2	
D5006	ZENER DIODE	DZ2J056M0L	1	224760560R2	
D5006 or	ZENER DIODE	UDZS5.6B	(1)	224550560R2	
D6000	CHIP TYPE DIODE	DA2J10100	1	223303R2	
D6000 or	CHIP TYPE DIODE	1SS352	(1)	223234R2	
D6001	CHIP TYPE DIODE	DA2J10100	1	223303R2	
D6001 or	CHIP TYPE DIODE	1SS352	(1)	223234R2	
D6002	CHIP TYPE DIODE	DA2J10100	1	223303R2	
D6002 or	CHIP TYPE DIODE	1SS352	(1)	223234R2	
D6003	CHIP TYPE DIODE	DA2J10100	1	223303R2	
D6003 or	CHIP TYPE DIODE	1SS352	(1)	223234R2	
D6004	CHIP TYPE DIODE	DA2J10100	1	223303R2	
D6004 or	CHIP TYPE DIODE	1SS352	(1)	223234R2	
D6005	CHIP TYPE DIODE	DA2J10100	1	223303R2	
D6005 or	CHIP TYPE DIODE	1SS352	(1)	223234R2	
D6006	CHIP TYPE DIODE	DA2J10100	1	223303R2	
D6006 or	CHIP TYPE DIODE	1SS352	(1)	223234R2	
D6100	CHIP TYPE DIODE	DA2J10100	1	223303R2	
D6100 or	CHIP TYPE DIODE	1SS352	(1)	223234R2	
D6101	CHIP TYPE DIODE	DA2J10100	1	223303R2	
D6101 or	CHIP TYPE DIODE	1SS352	(1)	223234R2	
D6102	CHIP TYPE DIODE	DA2J10100	1	223303R2	
D6102 or	CHIP TYPE DIODE	1SS352	(1)	223234R2	
D6103	CHIP TYPE DIODE	DA2J10100	1	223303R2	
D6103 or	CHIP TYPE DIODE	1SS352	(1)	223234R2	
D6104	CHIP TYPE DIODE	DA2J10100	1	223303R2	

D6104 or	CHIP TYPE DIODE	1SS352	( 1)	223234R2	
D6105	CHIP TYPE DIODE	DA2J10100	1	223303R2	
D6105 or	CHIP TYPE DIODE	1SS352	( 1)	223234R2	
D6106	CHIP TYPE DIODE	DA2J10100	1	223303R2	
D6106 or	CHIP TYPE DIODE	1SS352	( 1)	223234R2	
D6110	CHIP TYPE DIODE	DA2J10100	1	223303R2	
D6110 or	CHIP TYPE DIODE	1SS352	( 1)	223234R2	
D6111	CHIP TYPE DIODE	DA2J10100	1	223303R2	
D6111 or	CHIP TYPE DIODE	1SS352	( 1)	223234R2	
D6112	CHIP TYPE DIODE	DA2J10100	1	223303R2	
D6112 or	CHIP TYPE DIODE	1SS352	( 1)	223234R2	
D6113	CHIP TYPE DIODE	DA2J10100	1	223303R2	
D6113 or	CHIP TYPE DIODE	1SS352	( 1)	223234R2	
D6114	CHIP TYPE DIODE	DA2J10100	1	223303R2	
D6114 or	CHIP TYPE DIODE	1SS352	( 1)	223234R2	
D6115	CHIP TYPE DIODE	DA2J10100	1	223303R2	
D6115 or	CHIP TYPE DIODE	1SS352	( 1)	223234R2	
D6116	CHIP TYPE DIODE	DA2J10100	1	223303R2	
D6116 or	CHIP TYPE DIODE	1SS352	( 1)	223234R2	
D6401	DIODE	TS10B06G-07	1	22380379	
D6401A	HEAT SINK	700(20 x 75 x 50)	1	27160693	
D6402	CHIP TYPE DIODE	DA2J10100	1	223303R2	
D6402 or	CHIP TYPE DIODE	1SS352	( 1)	223234R2	
D6451	CHIP TYPE DIODE	DA2J10100	1	223303R2	
D6451 or	CHIP TYPE DIODE	1SS352	( 1)	223234R2	
D6452	CHIP TYPE DIODE	DA2J10100	1	223303R2	
D6452 or	CHIP TYPE DIODE	1SS352	( 1)	223234R2	
D6455	ZENER DIODE	DZ2J033M0L	1	224760330R2	
D6455 or	ZENER DIODE	UDZS3.3B	( 1)	224550330R2	
D6456	ZENER DIODE	DZ2J036M0L	1	224760360R2	
D6456 or	ZENER DIODE	UDZS3.6B	( 1)	224550360R2	
D6457	CHIP TYPE DIODE	DA2J10100	1	223303R2	
D6457 or	CHIP TYPE DIODE	1SS352	( 1)	223234R2	
D6460	CHIP TYPE DIODE	DA2J10100	1	223303R2	
D6460 or	CHIP TYPE DIODE	1SS352	( 1)	223234R2	
Q4001	HYBRID IC	NJW 1298FU1	1	22242925R3	N
Q4003	HYBRID IC	NJM4580CG	1	22242922R2	
Q4100	TRANSISTOR	RTAN430C-T112-1	1	2217780R2	
Q4101	TRANSISTOR	RTAN430C-T112-1	1	2217780R2	
Q4102	TRANSISTOR	RTAN430C-T112-1	1	2217780R2	
Q4103	TRANSISTOR	RTAN430C-T112-1	1	2217780R2	
Q4104	TRANSISTOR	RTAN430C-T112-1	1	2217780R2	
Q4105	TRANSISTOR	RTAN430C-T112-1	1	2217780R2	
Q4106	TRANSISTOR	RTAN430C-T112-1	1	2217780R2	
Q4107	TRANSISTOR	RTAN430C-T112-1	1	2217780R2	
Q4117	TRANSISTOR	RTAN430C-T112-1	1	2217780R2	
Q4130	HYBRID IC	NJM4580CG	1	22242922R2	
Q4170	HYBRID IC	78M15HF(NJM78M15FA)	1	222780155JRC	
Q4170A	HEAT SINK	RAD-196	1	27160545	
Q4171	HYBRID IC	79M15HF(NJM79M15FA)	1	222790155JRC	
Q4184	TRANSISTOR	KTC4373-Y	1	2218120R2	
Q4184 or	TRANSISTOR	2SC2881-Y	( 1)	2217564AR2	
Q4184 or	TRANSISTOR	INC5001AP1-T111	( 1)	2218100R2	
Q4185	TRANSISTOR	KTA1661-Y	1	2217864R2	
Q4185 or	TRANSISTOR	2SA1201-Y	( 1)	2217554AR2	
Q4185 or	TRANSISTOR	INA5001AP1-T111	( 1)	2218030R2	
Q4302	TRANSISTOR	RTAN430C-T112-1	1	2217780R2	
Q4303	TRANSISTOR	RTAN430C-T112-1	1	2217780R2	
Q4530	HYBRID IC	NJM4580CG	1	22242922R2	
Q5003	TRANSISTOR	2SC2713-BL	1	2213136R2	
Q5004	TRANSISTOR	2SC2713-BL	1	2213136R2	
Q5005	TRANSISTOR	2SC2713-BL	1	2213136R2	
Q5006	TRANSISTOR	2SC2713-BL	1	2213136R2	
Q5013	TRANSISTOR	2SC2713-BL	1	2213136R2	
Q5014	TRANSISTOR	2SC2713-BL	1	2213136R2	
Q5015	TRANSISTOR	2SC2713-BL	1	2213136R2	
Q5016	TRANSISTOR	2SC2713-BL	1	2213136R2	
Q5033	TRANSISTOR	INA6006AP1-T111	1	2217980R2	

Q5034	TRANSISTOR	INA6006AP1-T111	1	2217980R2
Q5035	TRANSISTOR	INA6006AP1-T111	1	2217980R2
Q5036	TRANSISTOR	INA6006AP1-T111	1	2217980R2
Q5043	TRANSISTOR	INC6006AP1-T111	1	2217990R2
Q5044	TRANSISTOR	INC6006AP1-T111	1	2217990R2
Q5045	TRANSISTOR	INC6006AP1-T111	1	2217990R2
Q5046	TRANSISTOR	INC6006AP1-T111	1	2217990R2
Q5053	TRANSISTOR	INC5001AP1-T111	1	2218100R2
Q5054	TRANSISTOR	INC5001AP1-T111	1	2218100R2
Q5055	TRANSISTOR	INC5001AP1-T111	1	2218100R2
Q5056	TRANSISTOR	INC5001AP1-T111	1	2218100R2
Q6000	TRANSISTOR	2SD2704K	1	2218130R2
Q6001	TRANSISTOR	2SD2704K	1	2218130R2
Q6002	TRANSISTOR	2SD2704K	1	2218130R2
Q6003	TRANSISTOR	2SD2704K	1	2218130R2
Q6004	TRANSISTOR	2SD2704K	1	2218130R2
Q6005	TRANSISTOR	2SD2704K	1	2218130R2
Q6006	TRANSISTOR	2SD2704K	1	2218130R2
Q6013	TRANSISTOR	2SC2713-BL	1	2213136R2
Q6014	TRANSISTOR	2SC2713-BL	1	2213136R2
Q6015	TRANSISTOR	2SC2713-BL	1	2213136R2
Q6016	TRANSISTOR	2SC2713-BL	1	2213136R2
Q6023	TRANSISTOR	2SA1163-BL	1	2216756R2
Q6024	TRANSISTOR	2SA1163-BL	1	2216756R2
Q6025	TRANSISTOR	2SA1163-BL	1	2216756R2
Q6026	TRANSISTOR	2SA1163-BL	1	2216756R2
Q6033	TRANSISTOR	TTC004B_Q(S	1	2218022
Q6034	TRANSISTOR	TTC004B_Q(S	1	2218022
Q6035	TRANSISTOR	TTC004B_Q(S	1	2218022
Q6036	TRANSISTOR	TTC004B_Q(S	1	2218022
Q6043	TRANSISTOR	TTA004B_Q(S	1	2218012
Q6044	TRANSISTOR	TTA004B_Q(S	1	2218012
Q6045	TRANSISTOR	TTA004B_Q(S	1	2218012
Q6046	TRANSISTOR	TTA004B_Q(S	1	2218012
Q6070	TRANSISTOR	2SC2713-BL	1	2213136R2
Q6071	TRANSISTOR	2SC2713-BL	1	2213136R2
Q6072	TRANSISTOR	2SC2713-BL	1	2213136R2
Q6073	TRANSISTOR	2SC2713-BL	1	2213136R2
Q6074	TRANSISTOR	2SC2713-BL	1	2213136R2
Q6075	TRANSISTOR	2SC2713-BL	1	2213136R2
Q6076	TRANSISTOR	2SC2713-BL	1	2213136R2
Q6300	HYBRID IC	LM61CIZ	1	22242212
Q6300A	RETAINER	(PTH)	1	27141884-1
Q6401	TRANSISTOR	2SC2712-GR	1	2213145R2
Q6451	TRANSISTOR	2SC2713-BL	1	2213136R2
Q6452	TRANSISTOR	2SC2713-BL	1	2213136R2
Q6453	TRANSISTOR	2SA1163-BL	1	2216756R2
Q6454	TRANSISTOR	2SA1163-BL	1	2216756R2
Q6455	TRANSISTOR	2SC2713-BL	1	2213136R2
Q6456	TRANSISTOR	KRA102S	1	2216220R2
Q6456 or	TRANSISTOR	DTA124EKA	(1)	2216240R2

**[CAPACITOR]**

C4000	UPZ TYPE PLASTIC FILM CAPACITOR	2AUPZTF221JE	1	376332214T
C4001	UPZ TYPE PLASTIC FILM CAPACITOR	2AUPZTF221JE	1	376332214T
C4002	CHIP TYPE CERAMIC CAPACITOR	CC725CH1H-221J1	1	342102214R1
C4003	CHIP TYPE CERAMIC CAPACITOR	CC725CH1H-221J1	1	342102214R1
C4004	CHIP TYPE CERAMIC CAPACITOR	CC725CH1H-221J1	1	342102214R1
C4005	CHIP TYPE CERAMIC CAPACITOR	CC725CH1H-221J1	1	342102214R1
C4006	CHIP TYPE CERAMIC CAPACITOR	CC725CH1H-221J1	1	342102214R1
C4007	CHIP TYPE CERAMIC CAPACITOR	CC725CH1H-221J1	1	342102214R1
C4008	CHIP TYPE CERAMIC CAPACITOR	CC725CH1H-221J1	1	342102214R1
C4009	CHIP TYPE CERAMIC CAPACITOR	CC725CH1H-221J1	1	342102214R1
C4010	CHIP TYPE CERAMIC CAPACITOR	CC725CH1H-221J1	1	342102214R1
C4011	CHIP TYPE CERAMIC CAPACITOR	CC725CH1H-221J1	1	342102214R1
C4012	UPZ TYPE PLASTIC FILM CAPACITOR	2AUPZTF221JE	1	376332214T
C4013	UPZ TYPE PLASTIC FILM CAPACITOR	2AUPZTF221JE	1	376332214T
C4014	CHIP TYPE CERAMIC CAPACITOR	CC725CH1H-102J1	1	342101024R1
C4015	CHIP TYPE CERAMIC CAPACITOR	CC725CH1H-102J1	1	342101024R1

C4037	CHIP TYPE CERAMIC CAPACITOR	CC725CH1H-221J1	1	342102214R1
C4051	UTSP TYPE ELECTROLYTIC CAPACITOR	CE04W10V-100M(UTSP)	1	397531017AT
C4052	UTSP TYPE ELECTROLYTIC CAPACITOR	CE04W10V-100M(UTSP)	1	397531017AT
C4053	UTSP TYPE ELECTROLYTIC CAPACITOR	CE04W10V-100M(UTSP)	1	397531017AT
C4054	UTSP TYPE ELECTROLYTIC CAPACITOR	CE04W10V-100M(UTSP)	1	397531017AT
C4055	UTSP TYPE ELECTROLYTIC CAPACITOR	CE04W10V-100M(UTSP)	1	397531017AT
C4056	UTSP TYPE ELECTROLYTIC CAPACITOR	CE04W10V-100M(UTSP)	1	397531017AT
C4057	UTSP TYPE ELECTROLYTIC CAPACITOR	CE04W10V-220M(UTSP)	1	397532217AT
C4058	UTSP TYPE ELECTROLYTIC CAPACITOR	CE04W10V-220M(UTSP)	1	397532217AT
C4059	UTSP TYPE ELECTROLYTIC CAPACITOR	CE04W25V-47M(UTSP)	1	397554707AT
C4060	UTSP TYPE ELECTROLYTIC CAPACITOR	CE04W50V-10M(UTSP)	1	397581007AT
C4061	UTSP TYPE ELECTROLYTIC CAPACITOR	CE04W25V-47M(UTSP)	1	397554707AT
C4070	UTSP TYPE ELECTROLYTIC CAPACITOR	CE04W50V 47M(UTSP)	1	397584707AT
C4071	UTSP TYPE ELECTROLYTIC CAPACITOR	CE04W50V 47M(UTSP)	1	397584707AT
C4072	UTSP TYPE ELECTROLYTIC CAPACITOR	CE04W50V 47M(UTSP)	1	397584707AT
C4073	UTSP TYPE ELECTROLYTIC CAPACITOR	CE04W25V-47M(UTSP)	1	397554707AT
C4074	UTSP TYPE ELECTROLYTIC CAPACITOR	CE04W25V-47M(UTSP)	1	397554707AT
C4075	UTSP TYPE ELECTROLYTIC CAPACITOR	CE04W25V-47M(UTSP)	1	397554707AT
C4076	UTSP TYPE ELECTROLYTIC CAPACITOR	CE04W25V-47M(UTSP)	1	397554707AT
C4077	UTSP TYPE ELECTROLYTIC CAPACITOR	CE04W50V 47M(UTSP)	1	397584707AT
C4078	UTSP TYPE ELECTROLYTIC CAPACITOR	CE04W50V 47M(UTSP)	1	397584707AT
C4079	UTSP TYPE ELECTROLYTIC CAPACITOR	CE04W50V 47M(UTSP)	1	397584707AT
C4080	UTSP TYPE ELECTROLYTIC CAPACITOR	CE04W50V 47M(UTSP)	1	397584707AT
C4081	UTSP TYPE ELECTROLYTIC CAPACITOR	CE04W50V 47M(UTSP)	1	397584707AT
C4090	CHIP TYPE CERAMIC CAPACITOR	CC725CH1H-101J1	1	342101014R1
C4091	CHIP TYPE CERAMIC CAPACITOR	CC725CH1H-101J1	1	342101014R1
C4100	UTSP TYPE ELECTROLYTIC CAPACITOR	CE04W50V 47M(UTSP)	1	397584707AT
C4101	UTSP TYPE ELECTROLYTIC CAPACITOR	CE04W50V 47M(UTSP)	1	397584707AT
C4102	UTSP TYPE ELECTROLYTIC CAPACITOR	CE04W50V 47M(UTSP)	1	397584707AT
C4103	UTSP TYPE ELECTROLYTIC CAPACITOR	CE04W50V 47M(UTSP)	1	397584707AT
C4104	UTSP TYPE ELECTROLYTIC CAPACITOR	CE04W50V 47M(UTSP)	1	397584707AT
C4105	UTSP TYPE ELECTROLYTIC CAPACITOR	CE04W50V 47M(UTSP)	1	397584707AT
C4106	UTSP TYPE ELECTROLYTIC CAPACITOR	CE04W50V 47M(UTSP)	1	397584707AT
C4107	UTSP TYPE ELECTROLYTIC CAPACITOR	CE04W50V 47M(UTSP)	1	397584707AT
C4130	UTSP TYPE ELECTROLYTIC CAPACITOR	CE04W50V 47M(UTSP)	1	397584707AT
C4131	CHIP TYPE CERAMIC CAPACITOR	CC725CH1H-221J1	1	342102214R1
C4132	CHIP TYPE CERAMIC CAPACITOR	CK725B1H-103K1	1	332101035R1
C4166	UTSP TYPE ELECTROLYTIC CAPACITOR	CE04W25V-220M(UTSP)	1	397552217T
C4167	UTSP TYPE ELECTROLYTIC CAPACITOR	CE04W25V-220M(UTSP)	1	397552217T
C4170	TF TYPE PLASTIC FILM CAPACITOR	ECQ-V50V-104J	1	374721044T
C4171	TF TYPE PLASTIC FILM CAPACITOR	ECQ-V50V-104J	1	374721044T
C4172	UTSP TYPE ELECTROLYTIC CAPACITOR	CE04W50V-10M(UTSP)	1	397581007AT
C4173	UTSP TYPE ELECTROLYTIC CAPACITOR	CE04W50V-10M(UTSP)	1	397581007AT
C4174	UTSP TYPE ELECTROLYTIC CAPACITOR	CE04W16V-470M(UTSP)	1	397544717T
C4175	UTSP TYPE ELECTROLYTIC CAPACITOR	CE04W16V-470M(UTSP)	1	397544717T
C4184	UTSP TYPE ELECTROLYTIC CAPACITOR	CE04W25V-220M(UTSP)	1	397552217T
C4185	UTSP TYPE ELECTROLYTIC CAPACITOR	CE04W25V-220M(UTSP)	1	397552217T
C4186	UTSP TYPE ELECTROLYTIC CAPACITOR	CE04W25V-220M(UTSP)	1	397552217T
C4187	UTSP TYPE ELECTROLYTIC CAPACITOR	CE04W25V-220M(UTSP)	1	397552217T
C4201	CHIP TYPE CERAMIC CAPACITOR	CC725CH1H-102J1	1	342101024R1
C4203	CHIP TYPE CERAMIC CAPACITOR	CC725CH1H-102J1	1	342101024R1
C4204	CHIP TYPE CERAMIC CAPACITOR	CC725CH1H-102J1	1	342101024R1
C4206	CHIP TYPE CERAMIC CAPACITOR	CC725CH1H-102J1	1	342101024R1
C4209	UTSP TYPE ELECTROLYTIC CAPACITOR	CE04W25V-47M(UTSP)	1	397554707AT
C4210	UTSP TYPE ELECTROLYTIC CAPACITOR	CE04W25V-47M(UTSP)	1	397554707AT
C4212	TF TYPE PLASTIC FILM CAPACITOR	ECQ-V50V-104J	1	374721044T
C4213	CHIP TYPE CERAMIC CAPACITOR	CC725CH1H-102J1	1	342101024R1
C4214	CHIP TYPE CERAMIC CAPACITOR	CC725CH1H-102J1	1	342101024R1
C4300	TF TYPE PLASTIC FILM CAPACITOR	ECQ-V50V-334J	1	374723344T
C4301	JAMICON TYPE ELECTROLYTIC CAPACITOR	CE04W35V-1000M	1	398561027T
C4302	JAMICON TYPE ELECTROLYTIC CAPACITOR	CE04W35V-1000M	1	398561027T
C4305	CHIP TYPE CERAMIC CAPACITOR	CC725CH1H-221J1	1	342102214R1
C4306	CHIP TYPE CERAMIC CAPACITOR	CC725CH1H-221J1	1	342102214R1
C4307	UTSP TYPE ELECTROLYTIC CAPACITOR	CE04W50V 47M(UTSP)	1	397584707AT
C4308	UTSP TYPE ELECTROLYTIC CAPACITOR	CE04W50V 47M(UTSP)	1	397584707AT
C4324	CHIP TYPE CERAMIC CAPACITOR	CC725CH1H-102J1	1	342101024R1
C4400	CHIP TYPE CERAMIC CAPACITOR	CK725B1H-102K1	1	332101025R1
C4401	CHIP TYPE CERAMIC CAPACITOR	CK725B1H-102K1	1	332101025R1



C4530	UTSP TYPE ELECTROLYTIC CAPACITOR	CE04W25V-47M(UTSP)	1	397554707AT
C4531	UTSP TYPE ELECTROLYTIC CAPACITOR	CE04W25V-47M(UTSP)	1	397554707AT
C4532	CHIP TYPE CERAMIC CAPACITOR	CC725CH1H-102J1	1	342101024R1
C4533	CHIP TYPE CERAMIC CAPACITOR	CC725CH1H-102J1	1	342101024R1
C4534	TF TYPE PLASTIC FILM CAPACITOR	ECQ-V50V-123J	1	374721234T
C4535	TF TYPE PLASTIC FILM CAPACITOR	ECQ-V50V-123J	1	374721234T
C4536	UMXR TYPE PLASTIC FILM CAPACITOR	1JUMXRTF332JE	1	376593324T
C4537	UMXR TYPE PLASTIC FILM CAPACITOR	1JUMXRTF332JE	1	376593324T
C4538	CHIP TYPE CERAMIC CAPACITOR	CC725CH1H-151J1	1	342101514R1
C4539	CHIP TYPE CERAMIC CAPACITOR	CC725CH1H-151J1	1	342101514R1
C4540	CHIP TYPE CERAMIC CAPACITOR	CC725CH1H-471J1	1	342104714R1
C4541	CHIP TYPE CERAMIC CAPACITOR	CC725CH1H-471J1	1	342104714R1
C4542	CHIP TYPE CERAMIC CAPACITOR	CC725CH1H-101J1	1	342101014R1
C4543	CHIP TYPE CERAMIC CAPACITOR	CC725CH1H-101J1	1	342101014R1
C4544	UTSP TYPE ELECTROLYTIC CAPACITOR	CE04W50V-10M(UTSP)	1	397581007AT
C4545	UTSP TYPE ELECTROLYTIC CAPACITOR	CE04W50V-10M(UTSP)	1	397581007AT
C4546	UTSP TYPE ELECTROLYTIC CAPACITOR	CE04W25V-47M(UTSP)	1	397554707AT
C4547	UTSP TYPE ELECTROLYTIC CAPACITOR	CE04W25V-47M(UTSP)	1	397554707AT
C4548	CHIP TYPE CERAMIC CAPACITOR	CK725F1E-104Z1	1	332161040R1
C4549	CHIP TYPE CERAMIC CAPACITOR	CK725F1E-104Z1	1	332161040R1
C4550	UTSP TYPE ELECTROLYTIC CAPACITOR	CE04W10V-220M(UTSP)	1	397532217AT
C4551	UTSP TYPE ELECTROLYTIC CAPACITOR	CE04W10V-220M(UTSP)	1	397532217AT
C5003	UPZ TYPE PLASTIC FILM CAPACITOR	2AUPZTF471JE	1	376334714T
C5004	UPZ TYPE PLASTIC FILM CAPACITOR	2AUPZTF471JE	1	376334714T
C5005	UPZ TYPE PLASTIC FILM CAPACITOR	2AUPZTF471JE	1	376334714T
C5006	UPZ TYPE PLASTIC FILM CAPACITOR	2AUPZTF471JE	1	376334714T
C5013	UTSP TYPE ELECTROLYTIC CAPACITOR	CE04W50V 47M(UTSP)	1	397584707AT
C5014	UTSP TYPE ELECTROLYTIC CAPACITOR	CE04W50V 47M(UTSP)	1	397584707AT
C5015	UTSP TYPE ELECTROLYTIC CAPACITOR	CE04W50V 47M(UTSP)	1	397584707AT
C5016	UTSP TYPE ELECTROLYTIC CAPACITOR	CE04W50V 47M(UTSP)	1	397584707AT
C5023	UTSP TYPE ELECTROLYTIC CAPACITOR	CE04W50V-10M(UTSP)	1	397581007AT
C5024	UTSP TYPE ELECTROLYTIC CAPACITOR	CE04W50V-10M(UTSP)	1	397581007AT
C5025	UTSP TYPE ELECTROLYTIC CAPACITOR	CE04W50V-10M(UTSP)	1	397581007AT
C5026	UTSP TYPE ELECTROLYTIC CAPACITOR	CE04W50V-10M(UTSP)	1	397581007AT
C5043	UTSP TYPE ELECTROLYTIC CAPACITOR	CE04W25V-220M(UTSP)	1	397552217T
C5044	UTSP TYPE ELECTROLYTIC CAPACITOR	CE04W25V-220M(UTSP)	1	397552217T
C5045	UTSP TYPE ELECTROLYTIC CAPACITOR	CE04W25V-220M(UTSP)	1	397552217T
C5046	UTSP TYPE ELECTROLYTIC CAPACITOR	CE04W25V-220M(UTSP)	1	397552217T
C5053	UTSP TYPE ELECTROLYTIC CAPACITOR	CE04W50V 47M(UTSP)	1	397584707AT
C5054	UTSP TYPE ELECTROLYTIC CAPACITOR	CE04W50V 47M(UTSP)	1	397584707AT
C5055	UTSP TYPE ELECTROLYTIC CAPACITOR	CE04W50V 47M(UTSP)	1	397584707AT
C5056	UTSP TYPE ELECTROLYTIC CAPACITOR	CE04W50V 47M(UTSP)	1	397584707AT
C5083	CERAMIC CAPACITOR	CC45SL50V-040C	1	345020401T
C5084	CERAMIC CAPACITOR	CC45SL50V-040C	1	345020401T
C5085	CERAMIC CAPACITOR	CC45SL50V-040C	1	345020401T
C5086	CERAMIC CAPACITOR	CC45SL50V-040C	1	345020401T
C5093	UPZ TYPE PLASTIC FILM CAPACITOR	2AUPZTF101JE	1	376331014T
C5094	UPZ TYPE PLASTIC FILM CAPACITOR	2AUPZTF101JE	1	376331014T
C5095	UPZ TYPE PLASTIC FILM CAPACITOR	2AUPZTF101JE	1	376331014T
C5096	UPZ TYPE PLASTIC FILM CAPACITOR	2AUPZTF101JE	1	376331014T
C5103	VR TYPE ELECTROLYTIC CAPACITOR	CE04W100V-22M(VR)	1	394692207T
C5104	VR TYPE ELECTROLYTIC CAPACITOR	CE04W100V-22M(VR)	1	394692207T
C5105	VR TYPE ELECTROLYTIC CAPACITOR	CE04W100V-22M(VR)	1	394692207T
C5106	VR TYPE ELECTROLYTIC CAPACITOR	CE04W100V-22M(VR)	1	394692207T
C5113	VR TYPE ELECTROLYTIC CAPACITOR	CE04W100V-22M(VR)	1	394692207T
C5114	VR TYPE ELECTROLYTIC CAPACITOR	CE04W100V-22M(VR)	1	394692207T
C5115	VR TYPE ELECTROLYTIC CAPACITOR	CE04W100V-22M(VR)	1	394692207T
C5116	VR TYPE ELECTROLYTIC CAPACITOR	CE04W100V-22M(VR)	1	394692207T
C6003	CHIP TYPE CERAMIC CAPACITOR	CK725B1H-103K1	1	332101035R1
C6004	CHIP TYPE CERAMIC CAPACITOR	CK725B1H-103K1	1	332101035R1
C6005	CHIP TYPE CERAMIC CAPACITOR	CK725B1H-103K1	1	332101035R1
C6006	CHIP TYPE CERAMIC CAPACITOR	CK725B1H-103K1	1	332101035R1
C6043	UTSP TYPE ELECTROLYTIC CAPACITOR	CE04W50V 47M(UTSP)	1	397584707AT
C6044	UTSP TYPE ELECTROLYTIC CAPACITOR	CE04W50V 47M(UTSP)	1	397584707AT
C6045	UTSP TYPE ELECTROLYTIC CAPACITOR	CE04W50V 47M(UTSP)	1	397584707AT
C6046	UTSP TYPE ELECTROLYTIC CAPACITOR	CE04W50V 47M(UTSP)	1	397584707AT
C6050	TF TYPE PLASTIC FILM CAPACITOR	ECQ-V50V-224J	1	374722244T
C6051	TF TYPE PLASTIC FILM CAPACITOR	ECQ-V50V-224J	1	374722244T

C6052	TF TYPE PLASTIC FILM CAPACITOR	ECQ-V50V-224J	1	374722244T
C6053	TF TYPE PLASTIC FILM CAPACITOR	ECQ-V50V-224J	1	374722244T
C6054	TF TYPE PLASTIC FILM CAPACITOR	ECQ-V50V-224J	1	374722244T
C6055	TF TYPE PLASTIC FILM CAPACITOR	ECQ-V50V-224J	1	374722244T
C6056	TF TYPE PLASTIC FILM CAPACITOR	ECQ-V50V-224J	1	374722244T
C6250	TF TYPE PLASTIC FILM CAPACITOR	ECQ-V50V-473J	1	374724734T
C6251	TF TYPE PLASTIC FILM CAPACITOR	ECQ-V50V-473J	1	374724734T
C6252	TF TYPE PLASTIC FILM CAPACITOR	ECQ-V50V-473J	1	374724734T
C6253	TF TYPE PLASTIC FILM CAPACITOR	ECQ-V50V-473J	1	374724734T
C6254	TF TYPE PLASTIC FILM CAPACITOR	ECQ-V50V-473J	1	374724734T
C6255	TF TYPE PLASTIC FILM CAPACITOR	ECQ-V50V-473J	1	374724734T
C6256	TF TYPE PLASTIC FILM CAPACITOR	ECQ-V50V-473J	1	374724734T
C6301	CHIP TYPE CERAMIC CAPACITOR	CK725F1E-104Z1	1	332161040R1
C6401	ELECTROLYTIC CAPACITOR	CE69W71V-10000MMN	1	3504520
C6402	ELECTROLYTIC CAPACITOR	CE69W71V-10000MMN	1	3504520
C6403	TF TYPE PLASTIC FILM CAPACITOR	ECQ-V100V-334J	1	374733344T
C6404	TF TYPE PLASTIC FILM CAPACITOR	ECQ-V100V-334J	1	374733344T
C6408	CHIP TYPE CERAMIC CAPACITOR	CK725B1H-104K1	1	332101045R1
C6451	UTSP TYPE ELECTROLYTIC CAPACITOR	CE04W25V-220M(UTSP)	1	397552217T
C6452	CHIP TYPE CERAMIC CAPACITOR	CK725F1E-104Z1	1	332161040R1
C6453	UTSP TYPE ELECTROLYTIC CAPACITOR	CE04W50V-1M(UTSP)	1	397580107AT
C6454	CHIP TYPE CERAMIC CAPACITOR	CC725GH1H-101J1	1	342101014R1
C6455	TF TYPE PLASTIC FILM CAPACITOR	ECQ-V50V-103J	1	374721034T
C6456	UTSP TYPE ELECTROLYTIC CAPACITOR	CE04W50V-10M(UTSP)	1	397581007AT
C6457	CHIP TYPE CERAMIC CAPACITOR	CK725F1A-105Z1	1	332181050R1
C6459	CHIP TYPE CERAMIC CAPACITOR	CK725B1H-222K1	1	332102225R1
<b>[RESISTOR]</b>				
R4000	CHIP TYPE CARBON RESISTOR	RN72K1J-331JE	1	435033314R1
R4001	CHIP TYPE CARBON RESISTOR	RN72K1J-331JE	1	435033314R1
R4002	CHIP TYPE CARBON RESISTOR	RN72K1J-104JE	1	435031044R1
R4003	CHIP TYPE CARBON RESISTOR	RN72K1J-104JE	1	435031044R1
R4004	CHIP TYPE CARBON RESISTOR	RN72K1J-331JE	1	435033314R1
R4005	CHIP TYPE CARBON RESISTOR	RN72K1J-331JE	1	435033314R1
R4006	CHIP TYPE CARBON RESISTOR	RN72K1J-104JE	1	435031044R1
R4007	CHIP TYPE CARBON RESISTOR	RN72K1J-104JE	1	435031044R1
R4008	CHIP TYPE CARBON RESISTOR	RN72K1J-331JE	1	435033314R1
R4009	CHIP TYPE CARBON RESISTOR	RN72K1J-331JE	1	435033314R1
R4010	CHIP TYPE CARBON RESISTOR	RN72K1J-104JE	1	435031044R1
R4011	CHIP TYPE CARBON RESISTOR	RN72K1J-104JE	1	435031044R1
R4012	CHIP TYPE CARBON RESISTOR	RN72K1J-331JE	1	435033314R1
R4013	CHIP TYPE CARBON RESISTOR	RN72K1J-331JE	1	435033314R1
R4014	CHIP TYPE CARBON RESISTOR	RN72K1J-104JE	1	435031044R1
R4015	CHIP TYPE CARBON RESISTOR	RN72K1J-104JE	1	435031044R1
R4016	CHIP TYPE CARBON RESISTOR	RN72K1J-331JE	1	435033314R1
R4017	CHIP TYPE CARBON RESISTOR	RN72K1J-331JE	1	435033314R1
R4018	CHIP TYPE CARBON RESISTOR	RN72K1J-104JE	1	435031044R1
R4019	CHIP TYPE CARBON RESISTOR	RN72K1J-104JE	1	435031044R1
R4020	CHIP TYPE CARBON RESISTOR	RN72K1J-331JE	1	435033314R1
R4021	CHIP TYPE CARBON RESISTOR	RN72K1J-331JE	1	435033314R1
R4022	CHIP TYPE CARBON RESISTOR	RN72K1J-104JE	1	435031044R1
R4023	CHIP TYPE CARBON RESISTOR	RN72K1J-104JE	1	435031044R1
R4024	CHIP TYPE CARBON RESISTOR	RN72K1J-331JE	1	435033314R1
R4025	CHIP TYPE CARBON RESISTOR	RN72K1J-331JE	1	435033314R1
R4026	CHIP TYPE CARBON RESISTOR	RN72K1J-104JE	1	435031044R1
R4027	CHIP TYPE CARBON RESISTOR	RN72K1J-104JE	1	435031044R1
R4028	CHIP TYPE CARBON RESISTOR	RN72K1J-331JE	1	435033314R1
R4029	CHIP TYPE CARBON RESISTOR	RN72K1J-331JE	1	435033314R1
R4030	CHIP TYPE CARBON RESISTOR	RN72K1J-563JE	1	435035634R1
R4031	CHIP TYPE CARBON RESISTOR	RN72K1J-563JE	1	435035634R1
R4049	CHIP TYPE CARBON RESISTOR	RN72K1J-101JE	1	435031014R1
R4050	CHIP TYPE CARBON RESISTOR	RN72K1J-101JE	1	435031014R1
R4051	CHIP TYPE CARBON RESISTOR	RN72K1J-224JE	1	435032244R1
R4069	CHIP TYPE CARBON RESISTOR	RN72K1J-104JE	1	435031044R1
R4081	CHIP TYPE CARBON RESISTOR	RN72K1J-222JE	1	435032224R1
R4082	CHIP TYPE CARBON RESISTOR	RN72K1J-222JE	1	435032224R1
R4083	CHIP TYPE CARBON RESISTOR	RN72K1J-222JE	1	435032224R1
R4087	CHIP TYPE CARBON RESISTOR	RN72K1J-104JE	1	435031044R1
R4090	CHIP TYPE CARBON RESISTOR	RN72K1J-123JE	1	435031234R1



R4186	CHIP TYPE CARBON RESISTOR	RN72K1J-471JE	1	435034714R1
R4187	CHIP TYPE CARBON RESISTOR	RN72K1J-471JE	1	435034714R1
R4189	CHIP TYPE CARBON RESISTOR	RN72K1J-224JE	1	435032244R1
R4190	CHIP TYPE CARBON RESISTOR	RN72K1J-224JE	1	435032244R1
R4197	METAL OXIDE FILM RESISTOR	RS1WBJ-15	1	443621504T
R4198	METAL OXIDE FILM RESISTOR	RS1WBJ-15	1	443621504T
R4200	CHIP TYPE CARBON RESISTOR	RN72K1J-102JE	1	435031024R1
R4201	CHIP TYPE CARBON RESISTOR	RN72K1J-104JE	1	435031044R1
R4202	CHIP TYPE CARBON RESISTOR	RN72K1J-104JE	1	435031044R1
R4203	CHIP TYPE CARBON RESISTOR	RN72K1J-104JE	1	435031044R1
R4204	CHIP TYPE CARBON RESISTOR	RN72K1J-104JE	1	435031044R1
R4205	CHIP TYPE CARBON RESISTOR	RN72K1J-104JE	1	435031044R1
R4206	CHIP TYPE CARBON RESISTOR	RN72K1J-104JE	1	435031044R1
R4207	CHIP TYPE CARBON RESISTOR	RN72K1J-104JE	1	435031044R1
R4208	CHIP TYPE CARBON RESISTOR	RN72K1J-104JE	1	435031044R1
R4209	CHIP TYPE CARBON RESISTOR	RN72K1J-104JE	1	435031044R1
R4210	CHIP TYPE CARBON RESISTOR	RN72K1J-104JE	1	435031044R1
R4304	CHIP TYPE CARBON RESISTOR	RN72K1J-101JE	1	435031014R1
R4305	CHIP TYPE CARBON RESISTOR	RN72K1J-101JE	1	435031014R1
R4306	CHIP TYPE CARBON RESISTOR	RN72K1J-222JE	1	435032224R1
R4307	CHIP TYPE CARBON RESISTOR	RN72K1J-222JE	1	435032224R1
R4308	CHIP TYPE CARBON RESISTOR	RN72K1J-222JE	1	435032224R1
R4309	CHIP TYPE CARBON RESISTOR	RN72K1J-222JE	1	435032224R1
R4310	CHIP TYPE CARBON RESISTOR	RN72K1J-224JE	1	435032244R1
R4311	CHIP TYPE CARBON RESISTOR	RN72K1J-224JE	1	435032244R1
R4400	CHIP TYPE CARBON RESISTOR	RN72K1J-102JE	1	435031024R1
R4401	CHIP TYPE CARBON RESISTOR	RN72K1J-102JE	1	435031024R1
R4402	CHIP TYPE CARBON RESISTOR	RN72K1J-224JE	1	435032244R1
R4403	CHIP TYPE CARBON RESISTOR	RN72K1J-224JE	1	435032244R1
R4530	CHIP TYPE CARBON RESISTOR	RN72K1J-224JE	1	435032244R1
R4531	CHIP TYPE CARBON RESISTOR	RN72K1J-224JE	1	435032244R1
R4532	CHIP TYPE CARBON RESISTOR	RN72K1J-561JE	1	435035614R1
R4533	CHIP TYPE CARBON RESISTOR	RN72K1J-561JE	1	435035614R1
R4534	CHIP TYPE CARBON RESISTOR	RN72K1J-274JE	1	435032744R1
R4535	CHIP TYPE CARBON RESISTOR	RN72K1J-274JE	1	435032744R1
R4536	CHIP TYPE CARBON RESISTOR	RN72K1J-223JE	1	435032234R1
R4537	CHIP TYPE CARBON RESISTOR	RN72K1J-223JE	1	435032234R1
R4538	CHIP TYPE CARBON RESISTOR	RN72K1J-122JE	1	435031224R1
R4539	CHIP TYPE CARBON RESISTOR	RN72K1J-122JE	1	435031224R1
R4540	CHIP TYPE CARBON RESISTOR	RN72K1J-101JE	1	435031014R1
R4541	CHIP TYPE CARBON RESISTOR	RN72K1J-101JE	1	435031014R1
R4542	CHIP TYPE CARBON RESISTOR	RN72K1J-224JE	1	435032244R1
R4543	CHIP TYPE CARBON RESISTOR	RN72K1J-224JE	1	435032244R1
R4544	CHIP TYPE CARBON RESISTOR	RN72K1J-181JE	1	435031814R1
R4545	CHIP TYPE CARBON RESISTOR	RN72K1J-181JE	1	435031814R1
R4548	CHIP TYPE CARBON RESISTOR	RN72K1J-181JE	1	435031814R1
R4549	CHIP TYPE CARBON RESISTOR	RN72K1J-181JE	1	435031814R1
R4550	CHIP TYPE CARBON RESISTOR	RN72K1J-181JE	1	435031814R1
R4551	CHIP TYPE CARBON RESISTOR	RN72K1J-181JE	1	435031814R1
R4608	CHIP TYPE CARBON RESISTOR	RN72K1J-000JE	1	435030004R1
R4610	CHIP TYPE CARBON RESISTOR	RN72K1J-000JE	1	435030004R1
R4701	CHIP TYPE CARBON RESISTOR	RN72K1J-000JE	1	435030004R1
R4702	CHIP TYPE CARBON RESISTOR	RN72K1J-000JE	1	435030004R1
R5003	CHIP TYPE CARBON RESISTOR	RN72K1J-000JE	1	435030004R1
R5004	CHIP TYPE CARBON RESISTOR	RN72K1J-000JE	1	435030004R1
R5005	CHIP TYPE CARBON RESISTOR	RN72K1J-000JE	1	435030004R1
R5006	CHIP TYPE CARBON RESISTOR	RN72K1J-000JE	1	435030004R1
R5013	CHIP TYPE CARBON RESISTOR	RN72K1J-563JE	1	435035634R1
R5014	CHIP TYPE CARBON RESISTOR	RN72K1J-563JE	1	435035634R1
R5015	CHIP TYPE CARBON RESISTOR	RN72K1J-563JE	1	435035634R1
R5016	CHIP TYPE CARBON RESISTOR	RN72K1J-563JE	1	435035634R1
R5023	CHIP TYPE CARBON RESISTOR	RN72K1J-331JE	1	435033314R1
R5024	CHIP TYPE CARBON RESISTOR	RN72K1J-331JE	1	435033314R1
R5025	CHIP TYPE CARBON RESISTOR	RN72K1J-331JE	1	435033314R1
R5026	CHIP TYPE CARBON RESISTOR	RN72K1J-331JE	1	435033314R1
R5033	NON-FLAMMABLE CARBON FILM RESISTOR	R25J-56K	1	415475634T
R5034	NON-FLAMMABLE CARBON FILM RESISTOR	R25J-56K	1	415475634T
R5035	NON-FLAMMABLE CARBON FILM RESISTOR	R25J-56K	1	415475634T







R6305	CHIP TYPE CARBON RESISTOR	RN72K1J-000JE	1	435030004R1	
R6401	METAL RESISTOR	RNU1/2WCJ-0.1	1	453531094T	
R6402	CHIP TYPE CARBON RESISTOR	RN72K1J-102JE	1	435031024R1	
R6403	CHIP TYPE CARBON RESISTOR	RN72K1J-473JE	1	435034734R1	
R6406	METAL OXIDE FILM RESISTOR	RS1/2WBJ-33	1	443523304T	
R6451	CHIP TYPE CARBON RESISTOR	RN72K1J-333JE	1	435033334R1	
R6452	CHIP TYPE CARBON RESISTOR	RN72K1J-103JE	1	435031034R1	
R6453	CHIP TYPE CARBON RESISTOR	RN72K1J-223JE	1	435032234R1	
R6454	CHIP TYPE CARBON RESISTOR	RN72K1J-473JE	1	435034734R1	
R6455	CHIP TYPE CARBON RESISTOR	RN72K1J-103JE	1	435031034R1	
R6456	CHIP TYPE CARBON RESISTOR	RN72K1J-224JE	1	435032244R1	
R6457	CHIP TYPE CARBON RESISTOR	RN72K1J-223JE	1	435032234R1	
R6458	CHIP TYPE CARBON RESISTOR	RN72K1J-562JE	1	435035624R1	
R6459	CHIP TYPE CARBON RESISTOR	RN72K1J-562JE	1	435035624R1	
R6460	CHIP TYPE CARBON RESISTOR	RN72K1J-333JE	1	435033334R1	
R6461	CHIP TYPE CARBON RESISTOR	RN72K1J-222JE	1	435032224R1	
R6462	CHIP TYPE CARBON RESISTOR	RN72K1J-473JE	1	435034734R1	
R6463	CHIP TYPE CARBON RESISTOR	RN72K1J-223JE	1	435032234R1	
R6464	CHIP TYPE CARBON RESISTOR	RN72K1J-333JE	1	435033334R1	
R6465	CHIP TYPE CARBON RESISTOR	RN72K1J-223JE	1	435032234R1	
R6640	METAL RESISTOR	RNU1WCJ-8.2	1	453630824T	
R6641	METAL RESISTOR	RNU1WCJ-8.2	1	453630824T	
R6642	METAL RESISTOR	RNU1WCJ-8.2	1	453630824T	
R6643	METAL RESISTOR	RNU1WCJ-8.2	1	453630824T	
R6644	METAL RESISTOR	RNU1WCJ-8.2	1	453630824T	
R6645	METAL RESISTOR	RNU1WCJ-8.2	1	453630824T	
R6646	METAL RESISTOR	RNU1WCJ-8.2	1	453630824T	
[SW TRM]					
F6401A	FUSE HOLDER	SN5051	1	2501113	!
F6401B	FUSE HOLDER	SN5051	1	2501113	!
F6402A	FUSE HOLDER	SN5051	1	2501113	!
F6402B	FUSE HOLDER	SN5051	1	2501113	!
P101B	SOCKET	NSCT-7P2100	1	25052203	
P4001	PIN JACK	NPJ-6PDWWRRR561	1	25045779	
P4002	PIN JACK	NPJ-4PDWWRR624	1	25045845	
P4003	PIN JACK	NPJ-4PDWR690	1	25045922	
P4004	PIN JACK	NPJ-2PDWR558	1	25045776	
P4009	PIN JACK	NPJ-4PDWRP682	1	25045914	
P501	WIRE HARNESS ASSEMBLY	NSAS-3P2094	1	2009991283UL	
P501A	WIRE HOL	NSCT-3P874	1	25051087	
P501Aor	WIRE HOL	CHD-1.5-3	(1)	25053535	
P5502B	PLUG	NPLG-20P0975	1	25056025	
P5503B	PLUG	NPLG-19P0974	1	25056024	
P5506B	RETAINER	(TRM)	1	25060507	
P5508	TRM-423(SCREW)	NEJITANSI ST3	1	25060495	
P5509A	RETAINER	(TRM)	1	25060507	
P6000B	PLUG	NPLG-9P0964	1	25056014	
P6001B	PLUG	NPLG-9P0964	1	25056014	
P6002B	PLUG	NPLG-9P0964	1	25056014	
P6003	WIRE HARNESS ASSEMBLY	NSAS-9P2223	1	2009991412UL	
P6003A	WIRE HOL	NSCT-9P900	1	25051113	
P6003Aor	WIRE HOL	CHD-2.5-9	(1)	25053543	
P6009B	RETAINER	(TRM)	1	25060507	
P6011B	RETAINER	(BUS 636)	1	27142324	
P6080	PLUG	NPLG-2P29	1	25055038	
P6081	PLUG	NPLG-2P29	1	25055038	
P6082	PLUG	NPLG-2P29	1	25055038	
P6083	PLUG	NPLG-2P29	1	25055038	
P6084	PLUG	NPLG-2P29	1	25055038	
P6085	PLUG	NPLG-2P29	1	25055038	
P6086	PLUG	NPLG-2P29	1	25055038	
P6201	PLUG	NPLG-5P152	1	25055168	
P6400A	CRIMP CORD ASSEMBLY	CLIMP AS	1	2069925080UL	
P6401A	CRIMP CORD ASSEMBLY	CRIMP AS	1	2069925222UL	
P6402A	CRIMP CORD ASSEMBLY	CRIMP AS	1	2069925146UL	
P6600	WIRE HARNESS ASSEMBLY	NSAS-7P2207	1	2009991396UL	
P6600A	WIRE HOL	NSCT-7P898	1	25051111	
P6600Aor	WIRE HOL	CHD-2.5-7	(1)	25053542	



RL6430	RELAY	NRL-1P10A-DC12-196	1	25065707	
RL6440	RELAY	NRL-1P10A-DC12-196	1	25065707	
<b>U002</b>					
		BADIS-1740-1E			: NSP
CIRCUIT NO	PART NAME	DESCRIPTION	Q'TY	PART NO. (SN)	REMARKS
<b>[SEMI CONDUCTOR]</b>					
D1000	CHIP TYPE DIODE	DA2J10100	1	223303R2	
D1000 or	CHIP TYPE DIODE	1SS352	(1)	223234R2	
D1001	CHIP TYPE DIODE	DA2J10100	1	223303R2	
D1001 or	CHIP TYPE DIODE	1SS352	(1)	223234R2	
D5000	ZENER DIODE	DZ2J056M0L	1	224760560R2	
D5000 or	ZENER DIODE	UDZS5.6B	(1)	224550560R2	
D5001	ZENER DIODE	DZ2J056M0L	1	224760560R2	
D5001 or	ZENER DIODE	UDZS5.6B	(1)	224550560R2	
D5002	ZENER DIODE	DZ2J056M0L	1	224760560R2	
D5002 or	ZENER DIODE	UDZS5.6B	(1)	224550560R2	
D7502	ZENER DIODE	DZ2J082M0L	1	224760820R2	
D7502 or	ZENER DIODE	UDZS8.2B	(1)	224550820R2	
D7533	ZENER DIODE	DZ2J039M0L	1	224760390R2	
D7533 or	ZENER DIODE	UDZS3.9B	(1)	224550390R2	
D7652	LED	HLMP-Y701	1	225528	
D7653	LED	HLMP-Y701	1	225528	
D7654	LED	SCB3318E-D2	1	225487	
D7654A	HOLDER	(LED)LH-5-5	1	27191312	
D7656	LED	SCB3318E-D2	1	225487	
D7656A	HOLDER	(LED)LH-5-5	1	27191312	
D7801	ZENER DIODE	DZ2J051M0L	1	224760510R2	
D7801 or	ZENER DIODE	UDZS5.1B	(1)	224550510R2	
D7811	ZENER DIODE	DZ2J068M0L	1	224760680R2	
D7811 or	ZENER DIODE	UDZS6.8B	(1)	224550680R2	
D7812	ZENER DIODE	DZ2J068M0L	1	224760680R2	
D7812 or	ZENER DIODE	UDZS6.8B	(1)	224550680R2	
D7960	DIODE	RL1N4003	1	22380260T	
D7961	DIODE	RL1N4003	1	22380260T	
D7962	ZENER DIODE	DZ2J360M0L	1	224763600R2	
D7962 or	ZENER DIODE	UDZS36B	(1)	224553600R2	
D9001	DIODE	S1WB(A)60B-7062	1	22380377R2	
D9002	SPECIFIED DIODE	P6SMB200A-M3/52T	1	225505R2	
D9003	DIODE	US1K-E3/61T	1	22380376R2	
D9004	DIODE	RF301BM2STL	1	22380388R2	
D9006	DIODE	M1FL20U	1	223276R2	
D9008	DIODE	RB050M-30GTR	1	22380373R2	
D9011	CHIP TYPE DIODE	DA2J10100	1	223303R2	
D9011 or	CHIP TYPE DIODE	1SS352	(1)	223234R2	
D9012	ZENER DIODE	DZ2J360M0L	1	224763600R2	
D9012 or	ZENER DIODE	UDZS36B	(1)	224553600R2	
D9013	SPECIFIED DIODE	P6SMB20A-M3/52	1	225515R2	
D9018	ZENER DIODE	DZ2J200M0L	1	224762000R2	
D9018 or	ZENER DIODE	UDZS20B	(1)	224552000R2	
Q1	HYBRID IC	RZ5B801-0001E2	1	22242835R2	
Q1000	HYBRID IC	TC74HCU04AF	1	222740046R2TO	
Q1001	PHOTO COUPLER	JSR1165-001recieving	1	24120143	
Q1002	PHOTO COUPLER	JSR1165-001recieving	1	24120143	
Q1501	HYBRID IC	NJM4580CG	1	22242922R2	
Q1502	HYBRID IC	NJM4580CG	1	22242922R2	
Q1503	HYBRID IC	NJM4580CG	1	22242922R2	
Q1504	HYBRID IC	NJM4580CG	1	22242922R2	
Q5000	TRANSISTOR	2SC2713-BL	1	2213136R2	
Q5001	TRANSISTOR	2SC2713-BL	1	2213136R2	
Q5002	TRANSISTOR	2SC2713-BL	1	2213136R2	
Q5010	TRANSISTOR	2SC2713-BL	1	2213136R2	
Q5011	TRANSISTOR	2SC2713-BL	1	2213136R2	
Q5012	TRANSISTOR	2SC2713-BL	1	2213136R2	
Q5030	TRANSISTOR	INA6006AP1-T111	1	2217980R2	

Q5031	TRANSISTOR	INA6006AP1-T111	1	2217980R2	
Q5032	TRANSISTOR	INA6006AP1-T111	1	2217980R2	
Q5040	TRANSISTOR	INC6006AP1-T111	1	2217990R2	
Q5041	TRANSISTOR	INC6006AP1-T111	1	2217990R2	
Q5042	TRANSISTOR	INC6006AP1-T111	1	2217990R2	
Q5050	TRANSISTOR	INC5001AP1-T111	1	2218100R2	
Q5051	TRANSISTOR	INC5001AP1-T111	1	2218100R2	
Q5052	TRANSISTOR	INC5001AP1-T111	1	2218100R2	
Q6010	TRANSISTOR	2SC2713-BL	1	2213136R2	
Q6011	TRANSISTOR	2SC2713-BL	1	2213136R2	
Q6012	TRANSISTOR	2SC2713-BL	1	2213136R2	
Q6020	TRANSISTOR	2SA1163-BL	1	2216756R2	
Q6021	TRANSISTOR	2SA1163-BL	1	2216756R2	
Q6022	TRANSISTOR	2SA1163-BL	1	2216756R2	
Q6030	TRANSISTOR	TTC004B_Q(S	1	2218022	
Q6031	TRANSISTOR	TTC004B_Q(S	1	2218022	
Q6032	TRANSISTOR	TTC004B_Q(S	1	2218022	
Q6040	TRANSISTOR	TTA004B_Q(S	1	2218012	
Q6041	TRANSISTOR	TTA004B_Q(S	1	2218012	
Q6042	TRANSISTOR	TTA004B_Q(S	1	2218012	
Q7501	HYBRID IC	ML9208A-13GA	1	22242772R3	
Q7502	FLUORESCENT TUBE	16-BT-168GNK	1	212279	
Q7502A	HOLDER	(FL)	1	27191222C	
Q7503	TRANSISTOR	KTC3875-GR	1	2216175R2	
Q7504	TRANSISTOR	KTC3875-GR	1	2216175R2	
Q7506	TRANSISTOR	KRA102S	1	2216220R2	
Q7511	HYBRID IC	BU2090F-E2	1	22242686R2	
Q7533	TRANSISTOR	KTC3875-GR	1	2216175R2	
Q7541	REMOTE SENSOR	IRM-3638M3S28	1	24130026	
Q7802	HYBRID IC	NJM4580CG	1	22242922R2	
Q7803	TRANSISTOR	RTAN430C-T112-1	1	2217780R2	
Q7960	TRANSISTOR	KTA1661-Y	1	2217864R2	
Q7960 or	TRANSISTOR	INA5001AP1-T111	(1)	2218030R2	
Q7961	TRANSISTOR	2SC2712-GR	1	2213145R2	
Q7962	TRANSISTOR	KRA102S	1	2216220R2	
Q9001	HYBRID IC	STR-A6051M	1	222154	
Q9002	HYBRID IC	EL816MX	1	22242845	
Q9002 or	HYBRID IC	PC123X8YFZ0F	(1)	22242771	
Q9003	HYBRID IC	EL816MX	1	22242845	
Q9003 or	HYBRID IC	PC123X8YFZ0F	(1)	22242771	
Q9004	HYBRID IC	KIA431A-AT/P	1	22242770T	
Q9005	TRANSISTOR	KRC102S	1	2216190R2	
Q9005 or	TRANSISTOR	RN1402	(1)	2214470R2	
<b>[TRANS COIL]</b>					
L1	CHIP TYPE CARBON RESISTOR	RN72K1J-000JE	1	435030004R1	
L1000	CHOKE COIL	LBC2518T2R2M	1	231364M022R2	
L1003	CHOKE COIL	LBC2518T470M	1	231364M470R2	
L1005	EMI SUPPRESSION FILTER	BK1608HS102-T	1	230955R2	
L2	CHIP TYPE CARBON RESISTOR	RN72K1J-000JE	1	435030004R1	
L3	RF COIL	SDCL1608CR33JTDF	1	233557R1	
L3 or	RF COIL	HK1608R33J-T	(1)	233559R1	
L4	RF COIL	SDCL1608CR10JTDF	1	233556R1	
L4 or	RF COIL	HK1608R10J-T	(1)	233558R1	
L5	ANTENNA COIL	K7-D	1	232212	
L9001	CHOKE COIL	EM-UT2014-0033	1	231474	
L9002	CHOKE COIL	RCR1010NP-100M	1	231449M100	
L9004	CORE	BLM18PG181SN1D	1	2350005R1	
L9005	CORE	BLM18PG181SN1D	1	2350005R1	
T9001	POWER TRANSFORMER	NPT-1632S	1	2302076	!
T9001 or	POWER TRANSFORMER	NPT-1633S	(1)	2302077	!
X1	CRYSTAL	HC-49S 9B12.000MHz	1	3010533	
<b>[CAPACITOR]</b>					
C1	CHIP TYPE CERAMIC CAPACITOR	CC725CH1H-101J1	1	342101014R1	
C1000	CHIP TYPE CERAMIC CAPACITOR	CK725F1E-104Z1	1	332161040R1	
C1002	CHIP TYPE CERAMIC CAPACITOR	CK725B1C-104K1	1	332121045R1	
C1003	CHIP TYPE CERAMIC CAPACITOR	CC725CH1H-080D1	1	342100802R1	
C1005	CHIP TYPE CERAMIC CAPACITOR	CK725F1E-104Z1	1	332161040R1	
C1009	CHIP TYPE CERAMIC CAPACITOR	CK725F1E-104Z1	1	332161040R1	

C1010	CHIP TYPE CERAMIC CAPACITOR	CK725F1E-104Z1	1	332161040R1
C1011	CHIP TYPE CERAMIC CAPACITOR	CC725CH1H-330J1	1	342103304R1
C1012	CHIP TYPE CERAMIC CAPACITOR	CC725CH1H-330J1	1	342103304R1
C1013	UTSP TYPE ELECTROLYTIC CAPACITOR	CE04W25V-220M(UTSP)	1	397552217T
C12	CHIP TYPE CERAMIC CAPACITOR	CC725CH1H-090D1	1	342100902R1
C13	CHIP TYPE CERAMIC CAPACITOR	CK725B1C-104K1	1	332121045R1
C1500	UMXR TYPE PLASTIC FILM CAPACITOR	1JUMXRTF332JE	1	376593324T
C1501	UMXR TYPE PLASTIC FILM CAPACITOR	1JUMXRTF332JE	1	376593324T
C1502	UMXR TYPE PLASTIC FILM CAPACITOR	1JUMXRTF332JE	1	376593324T
C1503	UMXR TYPE PLASTIC FILM CAPACITOR	1JUMXRTF332JE	1	376593324T
C1504	UMXR TYPE PLASTIC FILM CAPACITOR	1JUMXRTF332JE	1	376593324T
C1505	UMXR TYPE PLASTIC FILM CAPACITOR	1JUMXRTF332JE	1	376593324T
C1506	UMXR TYPE PLASTIC FILM CAPACITOR	1JUMXRTF332JE	1	376593324T
C1507	UMXR TYPE PLASTIC FILM CAPACITOR	1JUMXRTF332JE	1	376593324T
C1510	UPZ TYPE PLASTIC FILM CAPACITOR	2AUPZTF681JE	1	376336814T
C1511	UPZ TYPE PLASTIC FILM CAPACITOR	2AUPZTF681JE	1	376336814T
C1512	UPZ TYPE PLASTIC FILM CAPACITOR	2AUPZTF681JE	1	376336814T
C1513	CHIP TYPE CERAMIC CAPACITOR	CC725CH1H-681J1	1	342106814R1
C1514	CHIP TYPE CERAMIC CAPACITOR	CC725CH1H-681J1	1	342106814R1
C1515	CHIP TYPE CERAMIC CAPACITOR	CC725CH1H-681J1	1	342106814R1
C1516	CHIP TYPE CERAMIC CAPACITOR	CC725CH1H-681J1	1	342106814R1
C1517	UPZ TYPE PLASTIC FILM CAPACITOR	2AUPZTF681JE	1	376336814T
C1520	UPZ TYPE PLASTIC FILM CAPACITOR	2AUPZTF681JE	1	376336814T
C1521	UPZ TYPE PLASTIC FILM CAPACITOR	2AUPZTF681JE	1	376336814T
C1522	UPZ TYPE PLASTIC FILM CAPACITOR	2AUPZTF681JE	1	376336814T
C1523	CHIP TYPE CERAMIC CAPACITOR	CC725CH1H-681J1	1	342106814R1
C1524	CHIP TYPE CERAMIC CAPACITOR	CC725CH1H-681J1	1	342106814R1
C1525	CHIP TYPE CERAMIC CAPACITOR	CC725CH1H-681J1	1	342106814R1
C1526	CHIP TYPE CERAMIC CAPACITOR	CC725CH1H-681J1	1	342106814R1
C1527	UPZ TYPE PLASTIC FILM CAPACITOR	2AUPZTF681JE	1	376336814T
C1598	UTSP TYPE ELECTROLYTIC CAPACITOR	CE04W25V-220M(UTSP)	1	397552217T
C1599	UTSP TYPE ELECTROLYTIC CAPACITOR	CE04W25V-220M(UTSP)	1	397552217T
C1620	CHIP TYPE CERAMIC CAPACITOR	CK725F1E-104Z1	1	332161040R1
C1621	CHIP TYPE CERAMIC CAPACITOR	CK725F1E-104Z1	1	332161040R1
C2	CHIP TYPE CERAMIC CAPACITOR	CC725CH1H-220J1	1	342102204R1
C3	CHIP TYPE CERAMIC CAPACITOR	CK725B1H-332K1	1	332103325R1
C4	CHIP TYPE CERAMIC CAPACITOR	CC725CH1H-100D1	1	342101002R1
C5	CHIP TYPE CERAMIC CAPACITOR	CK725B1H-473K1	1	332104735R1
C5000	UPZ TYPE PLASTIC FILM CAPACITOR	2AUPZTF471JE	1	376334714T
C5001	UPZ TYPE PLASTIC FILM CAPACITOR	2AUPZTF471JE	1	376334714T
C5002	UPZ TYPE PLASTIC FILM CAPACITOR	2AUPZTF471JE	1	376334714T
C5010	UTSP TYPE ELECTROLYTIC CAPACITOR	CE04W50V-47M(UTSP)	1	397584707AT
C5011	UTSP TYPE ELECTROLYTIC CAPACITOR	CE04W50V-47M(UTSP)	1	397584707AT
C5012	UTSP TYPE ELECTROLYTIC CAPACITOR	CE04W50V-47M(UTSP)	1	397584707AT
C5020	UTSP TYPE ELECTROLYTIC CAPACITOR	CE04W50V-10M(UTSP)	1	397581007AT
C5021	UTSP TYPE ELECTROLYTIC CAPACITOR	CE04W50V-10M(UTSP)	1	397581007AT
C5022	UTSP TYPE ELECTROLYTIC CAPACITOR	CE04W50V-10M(UTSP)	1	397581007AT
C5040	UTSP TYPE ELECTROLYTIC CAPACITOR	CE04W25V-220M(UTSP)	1	397552217T
C5041	UTSP TYPE ELECTROLYTIC CAPACITOR	CE04W25V-220M(UTSP)	1	397552217T
C5042	UTSP TYPE ELECTROLYTIC CAPACITOR	CE04W25V-220M(UTSP)	1	397552217T
C5050	UTSP TYPE ELECTROLYTIC CAPACITOR	CE04W50V-47M(UTSP)	1	397584707AT
C5051	UTSP TYPE ELECTROLYTIC CAPACITOR	CE04W50V-47M(UTSP)	1	397584707AT
C5052	UTSP TYPE ELECTROLYTIC CAPACITOR	CE04W50V-47M(UTSP)	1	397584707AT
C5080	CERAMIC CAPACITOR	CC45SL50V-040C	1	345020401T
C5081	CERAMIC CAPACITOR	CC45SL50V-040C	1	345020401T
C5082	CERAMIC CAPACITOR	CC45SL50V-040C	1	345020401T
C5090	UPZ TYPE PLASTIC FILM CAPACITOR	2AUPZTF101JE	1	376331014T
C5091	UPZ TYPE PLASTIC FILM CAPACITOR	2AUPZTF101JE	1	376331014T
C5092	UPZ TYPE PLASTIC FILM CAPACITOR	2AUPZTF101JE	1	376331014T
C5100	VR TYPE ELECTROLYTIC CAPACITOR	CE04W100V-22M(VR)	1	394692207T
C5101	VR TYPE ELECTROLYTIC CAPACITOR	CE04W100V-22M(VR)	1	394692207T
C5102	VR TYPE ELECTROLYTIC CAPACITOR	CE04W100V-22M(VR)	1	394692207T
C5110	VR TYPE ELECTROLYTIC CAPACITOR	CE04W100V-22M(VR)	1	394692207T
C5111	VR TYPE ELECTROLYTIC CAPACITOR	CE04W100V-22M(VR)	1	394692207T
C5112	VR TYPE ELECTROLYTIC CAPACITOR	CE04W100V-22M(VR)	1	394692207T
C6	CHIP TYPE CERAMIC CAPACITOR	CK725B1H-222K1	1	332102225R1
C6000	TF TYPE PLASTIC FILM CAPACITOR	ECQ-V50V-103J	1	374721034T
C6001	TF TYPE PLASTIC FILM CAPACITOR	ECQ-V50V-103J	1	374721034T

C6002	TF TYPE PLASTIC FILM CAPACITOR	ECQ-V50V-103J	1	374721034T	
C6040	UTSP TYPE ELECTROLYTIC CAPACITOR	CE04W50V 47M(UTSP)	1	397584707AT	
C6041	UTSP TYPE ELECTROLYTIC CAPACITOR	CE04W50V 47M(UTSP)	1	397584707AT	
C6042	UTSP TYPE ELECTROLYTIC CAPACITOR	CE04W50V 47M(UTSP)	1	397584707AT	
C7	CHIP TYPE CERAMIC CAPACITOR	CK725B1A-105K1	1	332131055R1	
C7502	CHIP TYPE CERAMIC CAPACITOR	CK725F1E-104Z1	1	332161040R1	
C7503	CHIP TYPE CERAMIC CAPACITOR	CC725CH1H-101J1	1	342101014R1	
C7504	CHIP TYPE CERAMIC CAPACITOR	CC725CH1H-101J1	1	342101014R1	
C7505	CHIP TYPE CERAMIC CAPACITOR	CC725CH1H-101J1	1	342101014R1	
C7508	ELECTROLYTIC CAPACITOR	CE04W6.3V-100M(S)	1	353721019T	
C7509	CHIP TYPE CERAMIC CAPACITOR	CK725F1E-104Z1	1	332161040R1	
C7510	CHIP TYPE CERAMIC CAPACITOR	CK725B1H-223K1	1	332102235R1	
C7511	CHIP TYPE CERAMIC CAPACITOR	CK725B1H-223K1	1	332102235R1	
C7512	CHIP TYPE CERAMIC CAPACITOR	CK725B1H-223K1	1	332102235R1	
C7514	CHIP TYPE CERAMIC CAPACITOR	CK725B1H-223K1	1	332102235R1	
C7515	ELECTROLYTIC CAPACITOR	CE04W16V-47M(S)	1	353744709T	
C7516	CHIP TYPE CERAMIC CAPACITOR	CK725B1H-223K1	1	332102235R1	
C7517	CHIP TYPE CERAMIC CAPACITOR	CK725B1H-223K1	1	332102235R1	
C7518	TF TYPE PLASTIC FILM CAPACITOR	ECQ-V50V-474J	1	374724744T	
C7520	CHIP TYPE CERAMIC CAPACITOR	CK725B1H-223K1	1	332102235R1	
C7521	CHIP TYPE CERAMIC CAPACITOR	CK725B1H-103K1	1	332101035R1	
C7522	CHIP TYPE CERAMIC CAPACITOR	CK725B1H-103K1	1	332101035R1	
C7523	CHIP TYPE CERAMIC CAPACITOR	CC725CH1H-390J1	1	342103904R1	
C7531	CHIP TYPE CERAMIC CAPACITOR	CK725B1H-223K1	1	332102235R1	
C7533	ELECTROLYTIC CAPACITOR	CE04W16V-10M(S)	1	353741009T	
C7541	ELECTROLYTIC CAPACITOR	CE04W16V-10M(S)	1	353741009T	
C7542	CHIP TYPE CERAMIC CAPACITOR	CC725CH1H-102J1	1	342101024R1	
C7543	CHIP TYPE CERAMIC CAPACITOR	CC725CH1H-102J1	1	342101024R1	
C7550	CHIP TYPE CERAMIC CAPACITOR	CK725F1E-104Z1	1	332161040R1	
C7551	CHIP TYPE CERAMIC CAPACITOR	CK725F1A-105Z1	1	332181050R1	
C7553	CHIP TYPE CERAMIC CAPACITOR	CC725CH1H-101J1	1	342101014R1	
C7554	CHIP TYPE CERAMIC CAPACITOR	CC725CH1H-101J1	1	342101014R1	
C7557	CHIP TYPE CERAMIC CAPACITOR	CK725B1C-104K1	1	332121045R1	
C7705	CHIP TYPE CERAMIC CAPACITOR	CK725F1E-104Z1	1	332161040R1	
C7716	CHIP TYPE CERAMIC CAPACITOR	CK725F1E-104Z1	1	332161040R1	
C7751	CHIP TYPE CERAMIC CAPACITOR	CC725CH1H-102J1	1	342101024R1	
C7752	CHIP TYPE CERAMIC CAPACITOR	CK725B1H-223K1	1	332102235R1	
C7753	UMXR TYPE PLASTIC FILM CAPACITOR	1JUMXRTF102JE	1	376591024T	
C7754	UMXR TYPE PLASTIC FILM CAPACITOR	1JUMXRTF102JE	1	376591024T	
C7803	ELECTROLYTIC CAPACITOR	CE04W16V-47M(S)	1	353744709T	
C7805	ELECTROLYTIC CAPACITOR	CE04W16V-10M(S)	1	353741009T	
C7811	ELECTROLYTIC CAPACITOR	CE04W16V-47M(S)	1	353744709T	
C7812	ELECTROLYTIC CAPACITOR	CE04W16V-47M(S)	1	353744709T	
C7813	CHIP TYPE CERAMIC CAPACITOR	CK725F1E-104Z1	1	332161040R1	
C7831	ELECTROLYTIC CAPACITOR	CE04W16V-10M(S)	1	353741009T	
C7832	CHIP TYPE CERAMIC CAPACITOR	CC725CH1H-101J1	1	342101014R1	
C7833	CHIP TYPE CERAMIC CAPACITOR	CC725CH1H-102J1	1	342101024R1	
C7834	CHIP TYPE CERAMIC CAPACITOR	CC725CH1H-330J1	1	342103304R1	
C7950	TF TYPE PLASTIC FILM CAPACITOR	ECQ-V50V-104J	1	374721044T	
C7960	VR TYPE ELECTROLYTIC CAPACITOR	CE04W63V-100M(VR)	1	394671017T	
C7961	UTSP TYPE ELECTROLYTIC CAPACITOR	CE04W50V 47M(UTSP)	1	397584707AT	
C7962	TF TYPE PLASTIC FILM CAPACITOR	ECQ-V50V-104J	1	374721044T	
C7963	UTSP TYPE ELECTROLYTIC CAPACITOR	CE04W50V 47M(UTSP)	1	397584707AT	
C8	CHIP TYPE CERAMIC CAPACITOR	CK725B1A-105K1	1	332131055R1	
C9	CHIP TYPE CERAMIC CAPACITOR	CK732B16V-106K	1	332071065R2	
C9001	IS TYPE CAPACITOR	LE104-MX-C3.5	1	3800049S	!
C9002	ELECTROLYTIC CAPACITOR	CE04W200V-100M(KXJ)	1	3500233S	
C9003	PW TYPE ELECTROLYTIC CAPACITOR	CE04W50V-10M(PW)	1	393781007T	
C9004	PW TYPE ELECTROLYTIC CAPACITOR	CE04W25V-1000M(PW)	1	393751027S	
C9006	PW TYPE ELECTROLYTIC CAPACITOR	CE04W25V-470M(PW)	1	393754717T	
C9009	CHIP TYPE CERAMIC CAPACITOR	GRM31A7U3D220JW31D	1	3300071R1	
C9010	IS TYPE CAPACITOR	DE1E3KX102MB4BL01	1	3300066S	!
C9011	CHIP TYPE CERAMIC CAPACITOR	CK725B1C-104K1	1	332121045R1	
C9012	IS TYPE CAPACITOR	ECQU2A103MLC	1	3800039S	!
C9012 or	IS TYPE CAPACITOR	LE103-C3.5	(1)	3800042S	!
C9013	UTSP TYPE ELECTROLYTIC CAPACITOR	CE04W25V-220M(UTSP)	1	397552217T	
C9014	CHIP TYPE CERAMIC CAPACITOR	CK725B1H-103K1	1	332101035R1	
C9015	CHIP TYPE CERAMIC CAPACITOR	CK725F1E-104Z1	1	332161040R1	



R1560	CHIP TYPE CARBON RESISTOR	RN72K1J-151JE	1	435031514R1
R1561	CHIP TYPE CARBON RESISTOR	RN72K1J-151JE	1	435031514R1
R1562	CHIP TYPE CARBON RESISTOR	RN72K1J-151JE	1	435031514R1
R1563	CHIP TYPE CARBON RESISTOR	RN72K1J-151JE	1	435031514R1
R1564	CHIP TYPE CARBON RESISTOR	RN72K1J-151JE	1	435031514R1
R1565	CHIP TYPE CARBON RESISTOR	RN72K1J-151JE	1	435031514R1
R1566	CHIP TYPE CARBON RESISTOR	RN72K1J-151JE	1	435031514R1
R1567	CHIP TYPE CARBON RESISTOR	RN72K1J-151JE	1	435031514R1
R1570	CHIP TYPE CARBON RESISTOR	RN72K1J-151JE	1	435031514R1
R1571	CHIP TYPE CARBON RESISTOR	RN72K1J-151JE	1	435031514R1
R1572	CHIP TYPE CARBON RESISTOR	RN72K1J-151JE	1	435031514R1
R1573	CHIP TYPE CARBON RESISTOR	RN72K1J-151JE	1	435031514R1
R1574	CHIP TYPE CARBON RESISTOR	RN72K1J-151JE	1	435031514R1
R1575	CHIP TYPE CARBON RESISTOR	RN72K1J-151JE	1	435031514R1
R1576	CHIP TYPE CARBON RESISTOR	RN72K1J-151JE	1	435031514R1
R1577	CHIP TYPE CARBON RESISTOR	RN72K1J-151JE	1	435031514R1
R1590	CHIP TYPE CARBON RESISTOR	RN72K1J-000JE	1	435030004R1
R1591	CHIP TYPE CARBON RESISTOR	RN72K1J-000JE	1	435030004R1
R1598	CHIP TYPE CARBON RESISTOR	RN72K1J-100JE	1	435031004R1
R1599	CHIP TYPE CARBON RESISTOR	RN72K1J-100JE	1	435031004R1
R2	CHIP TYPE CARBON RESISTOR	RN72K1J-101JE	1	435031014R1
R21	CHIP TYPE CARBON RESISTOR	RN72K2E-000JE	1	435220004R1
R22	CHIP TYPE CARBON RESISTOR	RN72K2E-000JE	1	435220004R1
R3	EMI SUPPRESSION FILTER	BK1608HS601-T	1	230984R1
R4	EMI SUPPRESSION FILTER	BK1608HS601-T	1	230984R1
R5	CHIP TYPE CARBON RESISTOR	RN72K1J-103JE	1	435031034R1
R5000	CHIP TYPE CARBON RESISTOR	RN72K1J-000JE	1	435030004R1
R5001	CHIP TYPE CARBON RESISTOR	RN72K1J-000JE	1	435030004R1
R5002	CHIP TYPE CARBON RESISTOR	RN72K1J-000JE	1	435030004R1
R5010	CHIP TYPE CARBON RESISTOR	RN72K1J-563JE	1	435035634R1
R5011	CHIP TYPE CARBON RESISTOR	RN72K1J-563JE	1	435035634R1
R5012	CHIP TYPE CARBON RESISTOR	RN72K1J-563JE	1	435035634R1
R5020	CHIP TYPE CARBON RESISTOR	RN72K1J-331JE	1	435033314R1
R5021	CHIP TYPE CARBON RESISTOR	RN72K1J-331JE	1	435033314R1
R5022	CHIP TYPE CARBON RESISTOR	RN72K1J-331JE	1	435033314R1
R5030	NON-FLAMMABLE CARBON FILM RESISTOR	R25J-56K	1	415475634T
R5031	NON-FLAMMABLE CARBON FILM RESISTOR	R25J-56K	1	415475634T
R5032	NON-FLAMMABLE CARBON FILM RESISTOR	R25J-56K	1	415475634T
R5040	CHIP TYPE CARBON RESISTOR	RN72K1J-182JE	1	435031824R1
R5041	CHIP TYPE CARBON RESISTOR	RN72K1J-182JE	1	435031824R1
R5042	CHIP TYPE CARBON RESISTOR	RN72K1J-182JE	1	435031824R1
R5050	CHIP TYPE CARBON RESISTOR	RN72K1J-562JE	1	435035624R1
R5051	CHIP TYPE CARBON RESISTOR	RN72K1J-562JE	1	435035624R1
R5052	CHIP TYPE CARBON RESISTOR	RN72K1J-562JE	1	435035624R1
R5060	CHIP TYPE CARBON RESISTOR	RN72K1J-182JE	1	435031824R1
R5061	CHIP TYPE CARBON RESISTOR	RN72K1J-182JE	1	435031824R1
R5062	CHIP TYPE CARBON RESISTOR	RN72K1J-182JE	1	435031824R1
R5070	CHIP TYPE CARBON RESISTOR	RN72K1J-152JE	1	435031524R1
R5071	CHIP TYPE CARBON RESISTOR	RN72K1J-152JE	1	435031524R1
R5072	CHIP TYPE CARBON RESISTOR	RN72K1J-152JE	1	435031524R1
R5080	CHIP TYPE CARBON RESISTOR	RN72K1J-152JE	1	435031524R1
R5081	CHIP TYPE CARBON RESISTOR	RN72K1J-152JE	1	435031524R1
R5082	CHIP TYPE CARBON RESISTOR	RN72K1J-152JE	1	435031524R1
R5090	METAL OXIDE FILM RESISTOR	RS1/2WBJ-100K	1	443521044T
R5091	METAL OXIDE FILM RESISTOR	RS1/2WBJ-100K	1	443521044T
R5092	METAL OXIDE FILM RESISTOR	RS1/2WBJ-100K	1	443521044T
R5100	CHIP TYPE CARBON RESISTOR	RN72K1J-104JE	1	435031044R1
R5101	CHIP TYPE CARBON RESISTOR	RN72K1J-104JE	1	435031044R1
R5102	CHIP TYPE CARBON RESISTOR	RN72K1J-104JE	1	435031044R1
R5110	CHIP TYPE CARBON RESISTOR	RN72K1J-152JE	1	435031524R1
R5111	CHIP TYPE CARBON RESISTOR	RN72K1J-152JE	1	435031524R1
R5112	CHIP TYPE CARBON RESISTOR	RN72K1J-152JE	1	435031524R1
R5120	NON-FLAMMABLE CARBON FILM RESISTOR	R25J-39K	1	415473934T
R5121	NON-FLAMMABLE CARBON FILM RESISTOR	R25J-39K	1	415473934T
R5122	NON-FLAMMABLE CARBON FILM RESISTOR	R25J-39K	1	415473934T
R5130	NON-FLAMMABLE CARBON FILM RESISTOR	R25J-39K	1	415473934T
R5131	NON-FLAMMABLE CARBON FILM RESISTOR	R25J-39K	1	415473934T
R5132	NON-FLAMMABLE CARBON FILM RESISTOR	R25J-39K	1	415473934T

R5160	NON-FLAMMABLE CARBON FILM RESISTOR	R25J-220	1	415472214T
R5161	NON-FLAMMABLE CARBON FILM RESISTOR	R25J-220	1	415472214T
R5162	NON-FLAMMABLE CARBON FILM RESISTOR	R25J-220	1	415472214T
R5170	NON-FLAMMABLE CARBON FILM RESISTOR	R25J-220	1	415472214T
R5171	NON-FLAMMABLE CARBON FILM RESISTOR	R25J-220	1	415472214T
R5172	NON-FLAMMABLE CARBON FILM RESISTOR	R25J-220	1	415472214T
R5180	NON-FLAMMABLE CARBON FILM RESISTOR	R25J-10	1	415471004T
R5181	NON-FLAMMABLE CARBON FILM RESISTOR	R25J-10	1	415471004T
R5182	NON-FLAMMABLE CARBON FILM RESISTOR	R25J-10	1	415471004T
R5190	NON-FLAMMABLE CARBON FILM RESISTOR	R25J-10	1	415471004T
R5191	NON-FLAMMABLE CARBON FILM RESISTOR	R25J-10	1	415471004T
R5192	NON-FLAMMABLE CARBON FILM RESISTOR	R25J-10	1	415471004T
R5300	CHIP TYPE CARBON RESISTOR	RN72K1J-330JE	1	435033304R1
R5301	CHIP TYPE CARBON RESISTOR	RN72K1J-330JE	1	435033304R1
R5302	CHIP TYPE CARBON RESISTOR	RN72K1J-330JE	1	435033304R1
R5310	CHIP TYPE CARBON RESISTOR	RN72K1J-330JE	1	435033304R1
R5311	CHIP TYPE CARBON RESISTOR	RN72K1J-330JE	1	435033304R1
R5312	CHIP TYPE CARBON RESISTOR	RN72K1J-330JE	1	435033304R1
R5390	CHIP TYPE CARBON RESISTOR	RN72K1J-182FE	1	435031822R1
R5391	CHIP TYPE CARBON RESISTOR	RN72K1J-222FE	1	435032222R1
R5392	CHIP TYPE CARBON RESISTOR	RN72K1J-182FE	1	435031822R1
R6	CHIP TYPE CARBON RESISTOR	RN72K1J-472JE	1	435034724R1
R6020	NON-FLAMMABLE CARBON FILM RESISTOR	R25J-2.2	1	415470224T
R6021	NON-FLAMMABLE CARBON FILM RESISTOR	R25J-2.2	1	415470224T
R6022	NON-FLAMMABLE CARBON FILM RESISTOR	R25J-2.2	1	415470224T
R6030	CHIP TYPE CARBON RESISTOR	RN72K1J-152FE	1	435031522R1
R6031	CHIP TYPE CARBON RESISTOR	RN72K1J-152FE	1	435031522R1
R6032	CHIP TYPE CARBON RESISTOR	RN72K1J-152FE	1	435031522R1
R6050	CHIP TYPE CARBON RESISTOR	RN72K1J-000JE	1	435030004R1
R6051	CHIP TYPE CARBON RESISTOR	RN72K1J-000JE	1	435030004R1
R6052	CHIP TYPE CARBON RESISTOR	RN72K1J-000JE	1	435030004R1
R6060	CHIP TYPE CARBON RESISTOR	RN72K1J-152FE	1	435031522R1
R6061	CHIP TYPE CARBON RESISTOR	RN72K1J-152FE	1	435031522R1
R6062	CHIP TYPE CARBON RESISTOR	RN72K1J-152FE	1	435031522R1
R6070	NON-FLAMMABLE CARBON FILM RESISTOR	R25J-150	1	415471514T
R6071	NON-FLAMMABLE CARBON FILM RESISTOR	R25J-150	1	415471514T
R6072	NON-FLAMMABLE CARBON FILM RESISTOR	R25J-150	1	415471514T
R6200	CHIP TYPE CARBON RESISTOR	RN72K1J-000JE	1	435030004R1
R6201	CHIP TYPE CARBON RESISTOR	RN72K1J-000JE	1	435030004R1
R6202	CHIP TYPE CARBON RESISTOR	RN72K1J-000JE	1	435030004R1
R7	CHIP TYPE CARBON RESISTOR	RN72K1J-472JE	1	435034724R1
R7502	CHIP TYPE CARBON RESISTOR	RN72K1J-332JE	1	435033324R1
R7503	CHIP TYPE CARBON RESISTOR	RN72K1J-332JE	1	435033324R1
R7504	CHIP TYPE CARBON RESISTOR	RN72K1J-221JE	1	435032214R1
R7505	CHIP TYPE CARBON RESISTOR	RN72K1J-221JE	1	435032214R1
R7507	CHIP TYPE CARBON RESISTOR	RN72K1J-221JE	1	435032214R1
R7508	CHIP TYPE CARBON RESISTOR	RN72K1J-221JE	1	435032214R1
R7511	CHIP TYPE CARBON RESISTOR	RN72K1J-000JE	1	435030004R1
R7512	CHIP TYPE CARBON RESISTOR	RN72K1J-103JE	1	435031034R1
R7513	CHIP TYPE CARBON RESISTOR	RN72K1J-332JE	1	435033324R1
R7517	CHIP TYPE CARBON RESISTOR	RN72K1J-103JE	1	435031034R1
R7518	CHIP TYPE CARBON RESISTOR	RN72K1J-822JE	1	435038224R1
R7521	CHIP TYPE CARBON RESISTOR	RN72K1J-103JE	1	435031034R1
R7522	CHIP TYPE CARBON RESISTOR	RN72K1J-103JE	1	435031034R1
R7523	CHIP TYPE CARBON RESISTOR	RN72K1J-103JE	1	435031034R1
R7524	CHIP TYPE CARBON RESISTOR	RN72K1J-103JE	1	435031034R1
R7533	CHIP TYPE CARBON RESISTOR	RN72K1J-221JE	1	435032214R1
R7541	CHIP TYPE CARBON RESISTOR	RN72K1J-101JE	1	435031014R1
R7542	CHIP TYPE CARBON RESISTOR	RN72K1J-102JE	1	435031024R1
R7550	CHIP TYPE CARBON RESISTOR	RN72K1J-101JE	1	435031014R1
R7551	CHIP TYPE CARBON RESISTOR	RN72K1J-101JE	1	435031014R1
R7601	CHIP TYPE CARBON RESISTOR	RN72K1J-271JE	1	435032714R1
R7602	CHIP TYPE CARBON RESISTOR	RN72K1J-331JE	1	435033314R1
R7603	CHIP TYPE CARBON RESISTOR	RN72K1J-471JE	1	435034714R1
R7604	CHIP TYPE CARBON RESISTOR	RN72K1J-561JE	1	435035614R1
R7605	CHIP TYPE CARBON RESISTOR	RN72K1J-821JE	1	435038214R1
R7606	CHIP TYPE CARBON RESISTOR	RN72K1J-122JE	1	435031224R1
R7607	CHIP TYPE CARBON RESISTOR	RN72K1J-222JE	1	435032224R1

R7608	CHIP TYPE CARBON RESISTOR	RN72K1J-392JE	1	435033924R1
R7609	CHIP TYPE CARBON RESISTOR	RN72K1J-123JE	1	435031234R1
R7611	CHIP TYPE CARBON RESISTOR	RN72K1J-271JE	1	435032714R1
R7612	CHIP TYPE CARBON RESISTOR	RN72K1J-331JE	1	435033314R1
R7613	CHIP TYPE CARBON RESISTOR	RN72K1J-471JE	1	435034714R1
R7614	CHIP TYPE CARBON RESISTOR	RN72K1J-561JE	1	435035614R1
R7615	CHIP TYPE CARBON RESISTOR	RN72K1J-821JE	1	435038214R1
R7616	CHIP TYPE CARBON RESISTOR	RN72K1J-122JE	1	435031224R1
R7617	CHIP TYPE CARBON RESISTOR	RN72K1J-222JE	1	435032224R1
R7618	CHIP TYPE CARBON RESISTOR	RN72K1J-392JE	1	435033924R1
R7619	CHIP TYPE CARBON RESISTOR	RN72K1J-123JE	1	435031234R1
R7621	CHIP TYPE CARBON RESISTOR	RN72K1J-271JE	1	435032714R1
R7622	CHIP TYPE CARBON RESISTOR	RN72K1J-331JE	1	435033314R1
R7623	CHIP TYPE CARBON RESISTOR	RN72K1J-471JE	1	435034714R1
R7624	CHIP TYPE CARBON RESISTOR	RN72K1J-561JE	1	435035614R1
R7625	CHIP TYPE CARBON RESISTOR	RN72K1J-821JE	1	435038214R1
R7626	CHIP TYPE CARBON RESISTOR	RN72K1J-122JE	1	435031224R1
R7627	CHIP TYPE CARBON RESISTOR	RN72K1J-222JE	1	435032224R1
R7628	CHIP TYPE CARBON RESISTOR	RN72K1J-392JE	1	435033924R1
R7629	CHIP TYPE CARBON RESISTOR	RN72K1J-123JE	1	435031234R1
R7631	CHIP TYPE CARBON RESISTOR	RN72K1J-271JE	1	435032714R1
R7632	CHIP TYPE CARBON RESISTOR	RN72K1J-331JE	1	435033314R1
R7633	CHIP TYPE CARBON RESISTOR	RN72K1J-471JE	1	435034714R1
R7634	CHIP TYPE CARBON RESISTOR	RN72K1J-561JE	1	435035614R1
R7635	CHIP TYPE CARBON RESISTOR	RN72K1J-821JE	1	435038214R1
R7636	CHIP TYPE CARBON RESISTOR	RN72K1J-122JE	1	435031224R1
R7637	CHIP TYPE CARBON RESISTOR	RN72K1J-222JE	1	435032224R1
R7638	CHIP TYPE CARBON RESISTOR	RN72K1J-392JE	1	435033924R1
R7652	CHIP TYPE CARBON RESISTOR	RN72K1J-331JE	1	435033314R1
R7653	CHIP TYPE CARBON RESISTOR	RN72K1J-821JE	1	435038214R1
R7654	CHIP TYPE CARBON RESISTOR	RN72K1J-562JE	1	435035624R1
R7656	CHIP TYPE CARBON RESISTOR	RN72K1J-471JE	1	435034714R1
R7751	METAL OXIDE FILM RESISTOR	RS1/2WBJ-390	1	443523914T
R7752	METAL OXIDE FILM RESISTOR	RS1/2WBJ-390	1	443523914T
R7801	CHIP TYPE CARBON RESISTOR	RN72K1J-101JE	1	435031014R1
R7803	CHIP TYPE CARBON RESISTOR	RN72K1J-472JE	1	435034724R1
R7806	CHIP TYPE CARBON RESISTOR	RN72K1J-222JE	1	435032224R1
R7809	CHIP TYPE CARBON RESISTOR	RN72K1J-471JE	1	435034714R1
R7810	CHIP TYPE CARBON RESISTOR	RN72K1J-000JE	1	435030004R1
R7811	CHIP TYPE CARBON RESISTOR	RN72K1J-391JE	1	435033914R1
R7812	CHIP TYPE CARBON RESISTOR	RN72K1J-391JE	1	435033914R1
R7814	CHIP TYPE CARBON RESISTOR	RN72K1J-224JE	1	435032244R1
R7815	CHIP TYPE CARBON RESISTOR	RN72K1J-391JE	1	435033914R1
R7816	CHIP TYPE CARBON RESISTOR	RN72K1J-391JE	1	435033914R1
R7820	CHIP TYPE CARBON RESISTOR	RN72K1J-473JE	1	435034734R1
R7831	CHIP TYPE CARBON RESISTOR	RN72K1J-221JE	1	435032214R1
R7833	CHIP TYPE CARBON RESISTOR	RN72K1J-473JE	1	435034734R1
R7834	CHIP TYPE CARBON RESISTOR	RN72K1J-102JE	1	435031024R1
R7835	CHIP TYPE CARBON RESISTOR	RN72K1J-333JE	1	435033334R1
R7950	CHIP TYPE CARBON RESISTOR	RN72K1J-015JE	1	435030154R1
R7951	METAL OXIDE FILM RESISTOR	RS1WBJ-33	1	443623304T
R7952	METAL OXIDE FILM RESISTOR	RS1WBJ-22	1	443622204T
R7960	METAL RESISTOR	RNU1/2WCJ-8.2	1	453530824T
R7962	CHIP TYPE CARBON RESISTOR	RN72K1J-472JE	1	435034724R1
R7963	CHIP TYPE CARBON RESISTOR	RN72K1J-472JE	1	435034724R1
R7965	CHIP TYPE CARBON RESISTOR	RN72K1J-047JE	1	435030474R1
R7966	CHIP TYPE CARBON RESISTOR	RN72K1J-473JE	1	435034734R1
R7967	CHIP TYPE CARBON RESISTOR	RN72K1J-473JE	1	435034734R1
R7968	CHIP TYPE CARBON RESISTOR	RN72K1J-333JE	1	435033334R1
R8	CHIP TYPE CARBON RESISTOR	RN72K1J-101JE	1	435031014R1
R9	CHIP TYPE CARBON RESISTOR	RN72K1J-101JE	1	435031014R1
R9002	CHIP TYPE CARBON RESISTOR	RN72K1J-000JE	1	435030004R1
R9003	CHIP TYPE CARBON RESISTOR	RN72K1J-332JE	1	435033324R1
R9006	CHIP TYPE CARBON RESISTOR	RN72K1J-392JE	1	435033924R1
R9007	CHIP TYPE CARBON RESISTOR	RN72K1J-273FE	1	435032732R1
R9008	CHIP TYPE CARBON RESISTOR	RN72K1J-822JE	1	435038224R1
R9009	CHIP TYPE CARBON RESISTOR	RN72K1J-103JE	1	435031034R1
R9010	METAL OXIDE FILM RESISTOR	RS1/2WBJ-68	1	443526804T



R9011	NON-FLAMMABLE CARBON FILM RESISTOR	R25J-22	1	415472204T	
R9012	CHIP TYPE CARBON RESISTOR	RN72K1J-271JE	1	435032714R1	
R9013	CHIP TYPE CARBON RESISTOR	RN72K1J-000JE	1	435030004R1	
R9014	METAL RESISTOR	RNU1WCJ-1	1	453630104T	
R9017	CHIP TYPE CARBON RESISTOR	RN72K1J-332JE	1	435033324R1	
R9018	CHIP TYPE CARBON RESISTOR	RN72K1J-182JE	1	435031824R1	
R9022	CHIP TYPE CARBON RESISTOR	RN72K1J-152JE	1	435031524R1	
R9023	CHIP TYPE CARBON RESISTOR	KTR18EZPF6803	1	435236842R1	
R9024	CHIP TYPE CARBON RESISTOR	KTR18EZPF6803	1	435236842R1	
R9025	CHIP TYPE CARBON RESISTOR	KTR18EZPF6803	1	435236842R1	
R9027	METAL OXIDE FILM RESISTOR	RS1/2WBJ-220	1	443522214T	
[SW TRM]					
F9001	FUSE	T1A-SEUL-T250V	1	252397T	!
F9002C	FUSE HOLDER	NSCT-1P2031	1	25052133T	!
F9002D	FUSE HOLDER	NSCT-1P2031	1	25052133T	!
P1	TERMINAL	NTM-1PDSC437	1	25060515	
P1000	ST JACK	MSJ-035-22	1	25045887	
P1001	PIN JACK	NPJ-1PDO554	1	25045772	
P101A	SOCKET	NSCT-7P2100	1	25052203	
P2	TERMINAL	NTM-2PDML439	1	25060517	
P5502A	SOCKET	NSCT-20P2200	1	25052303	
P5503A	SOCKET	NSCT-19P2199	1	25052302	
P5509B	RETAINER	(CLA-L)	1	27142312	
P5511A	TERMINAL	NTM-1P233(M1969)	1	25060302	
P6000A	SOCKET	NSCT-9P2189	1	25052292	
P6001A	SOCKET	NSCT-9P2189	1	25052292	
P6002A	SOCKET	NSCT-9P2189	1	25052292	
P6005	WIRE HARNESS ASSEMBLY	NSAS-5P2194	1	2009991383UL	
P6005A	WIRE HOL	NSCT-5P896	1	25051109	
P6005Aor	WIRE HOL	CHD-2.5-5	(1)	25053541	
P7001B	SOCKET	NSCT-23P2441	1	25052544	
P7003	WIRE HARNESS ASSEMBLY	NSAS-7P2129	1	2009991318UL	
P7003A	WIRE HOL	NSCT-7P878	1	25051091	
P7003Aor	WIRE HOL	CHD-1.5-7	(1)	25053537	
P7003B	PLUG	NPLG-7P135	1	25055151	
P7703	RETAINER	(GND)	1	27142222A	
P7751	ST JACK	MSJ-064-05A SR	1	25045783	
P7752	TRM-423(SCREW)	NEJITANSI ST3	1	25060495	
P7802	ST JACK	MSJ-035-105C-B-RF-SR-PC(ONA)	1	25045990	
P8002A	SOCKET	IMSA-9850S-26	1	25053213	
P8003A	SOCKET	IMSA-9850S-24	1	25053212	
P8004A	TRM-423(SCREW)	NEJITANSI ST3	1	25060495	
P9001A	PLUG	NPLG-2P631	1	25055675	
P9002	PLUG	NPLG-2P631	1	25055675	
P9003	TRM-423(SCREW)	NEJITANSI ST3	1	25060495	
P9004	RETAINER	(TRM-PS)	1	27142287	
P9011	WIRE HARNESS ASSEMBLY	NSAS-5P2112	1	2009991301UL	
P9011A	WIRE HOL	NSCT-5P876	1	25051089	
P9011Aor	WIRE HOL	CHD-1.5-5	(1)	25053536	
P9501B	PLUG	NPLG-5P220	1	25055236	
RL9001	RELAY	NRL-1P10A-DC9-188	1	25065693	!
S7502	ROTARY ENCODER	EC12E2425WITH WASHER	1	25065655W	
S7600	PUSH SWITCH	NPS-111-S681	1	25035718T	
S7601	PUSH SWITCH	NPS-111-S681	1	25035718T	
S7605	PUSH SWITCH	NPS-111-S681	1	25035718T	
S7606	PUSH SWITCH	NPS-111-S681	1	25035718T	
S7607	PUSH SWITCH	NPS-111-S681	1	25035718T	
S7608	PUSH SWITCH	NPS-111-S681	1	25035718T	
S7609	PUSH SWITCH	NPS-111-S681	1	25035718T	
S7610	PUSH SWITCH	NPS-111-S681	1	25035718T	
S7611	PUSH SWITCH	NPS-111-S681	1	25035718T	
S7612	PUSH SWITCH	NPS-111-S681	1	25035718T	
S7613	PUSH SWITCH	NPS-111-S681	1	25035718T	
S7614	PUSH SWITCH	NPS-111-S681	1	25035718T	
S7615	PUSH SWITCH	NPS-111-S681	1	25035718T	
S7616	PUSH SWITCH	NPS-111-S681	1	25035718T	
S7617	PUSH SWITCH	NPS-111-S681	1	25035718T	
S7618	PUSH SWITCH	NPS-111-S681	1	25035718T	

S7619	PUSH SWITCH	NPS-111-S681	1	25035718T
S7620	PUSH SWITCH	NPS-111-S681	1	25035718T
S7621	PUSH SWITCH	NPS-111-S681	1	25035718T
S7622	PUSH SWITCH	NPS-111-S681	1	25035718T
S7623	PUSH SWITCH	NPS-111-S681	1	25035718T
S7624	PUSH SWITCH	NPS-111-S681	1	25035718T
S7625	PUSH SWITCH	NPS-111-S681	1	25035718T
S7626	PUSH SWITCH	NPS-111-S681	1	25035718T
S7627	PUSH SWITCH	NPS-111-S681	1	25035718T
S7628	PUSH SWITCH	NPS-111-S681	1	25035718T
S7629	PUSH SWITCH	NPS-111-S681	1	25035718T
S7630	PUSH SWITCH	NPS-111-S681	1	25035718T
S7631	PUSH SWITCH	NPS-111-S681	1	25035718T
S7632	PUSH SWITCH	NPS-111-S681	1	25035718T
S7636	PUSH SWITCH	NPS-111-S681	1	25035718T
S7637	PUSH SWITCH	NPS-111-S681	1	25035718T
S7638	PUSH SWITCH	NPS-111-S681	1	25035718T

U003

BATRM-1754-1J

: NSP

CIRCUIT NO	PART NAME	DESCRIPTION	Q'TY	PART NO. (SN)	REMARKS
<b>[SEMI CONDUCTOR]</b>					
D2101	CHIP TYPE DIODE	DA2J10100	1	223303R2	
D2101 or	CHIP TYPE DIODE	1SS352	(1)	223234R2	
D2102	CHIP TYPE DIODE	DA2J10100	1	223303R2	
D2102 or	CHIP TYPE DIODE	1SS352	(1)	223234R2	
D2301	DIODE	G10XB80-02-54A-T	1	22380378	
D2302	CHIP TYPE DIODE	DA2J10100	1	223303R2	
D2302 or	CHIP TYPE DIODE	1SS352	(1)	223234R2	
D2303	CHIP TYPE DIODE	DA2J10100	1	223303R2	
D2303 or	CHIP TYPE DIODE	1SS352	(1)	223234R2	
D2304	ZENER DIODE	DZ2J062MOL	1	224760620R2	
D2304 or	ZENER DIODE	UDZS6.2B	(1)	224550620R2	
D2306	DIODE	RB050M-30GTR	1	22380373R2	
D6600	CHIP TYPE DIODE	DA2J10100	1	223303R2	
D6600 or	CHIP TYPE DIODE	1SS352	(1)	223234R2	
D6601	CHIP TYPE DIODE	DA2J10100	1	223303R2	
D6601 or	CHIP TYPE DIODE	1SS352	(1)	223234R2	
D6604	CHIP TYPE DIODE	DA2J10100	1	223303R2	
D6604 or	CHIP TYPE DIODE	1SS352	(1)	223234R2	
D6606	CHIP TYPE DIODE	DA2J10100	1	223303R2	
D6606 or	CHIP TYPE DIODE	1SS352	(1)	223234R2	
Q2001	HYBRID IC	NJM41041VC3-TE1	1	22242931R2	
Q2002	HYBRID IC	74VHC4053AFT	1	22274053ER2TO	
Q2003	HYBRID IC	74VHC4051AFT	1	22274051ER2TO	
Q6600	TRANSISTOR	KRC105S	1	2217290R2	
Q6600 or	TRANSISTOR	RN1405	(1)	2214500R2	
Q6601	TRANSISTOR	KRC105S	1	2217290R2	
Q6601 or	TRANSISTOR	RN1405	(1)	2214500R2	
Q6604	TRANSISTOR	KRC105S	1	2217290R2	
Q6604 or	TRANSISTOR	RN1405	(1)	2214500R2	
Q6606	TRANSISTOR	KRC105S	1	2217290R2	
Q6606 or	TRANSISTOR	RN1405	(1)	2214500R2	
<b>[CHASSIS SCREW]</b>					
D2301C	SCREW	3P+10FN(3BC)	1	82143010GR	
<b>[TRANS COIL]</b>					
L2001	CHOKE COIL	LBC2518T470M	1	231364M470R2	
<b>[CAPACITOR]</b>					
C2001	CHIP TYPE CERAMIC CAPACITOR	CK725F1E-104Z1	1	332161040R1	
C2012	CHIP TYPE CERAMIC CAPACITOR	CK725F1E-104Z1	1	332161040R1	
C2014	CHIP TYPE CERAMIC CAPACITOR	CK725F1E-104Z1	1	332161040R1	
C2015	CHIP TYPE CERAMIC CAPACITOR	CK725F1E-104Z1	1	332161040R1	
C2101	JAMICON TYPE ELECTROLYTIC CAPACITOR	CE04W50V-2.2M	1	398580227T	
C2101 or	VR TYPE ELECTROLYTIC CAPACITOR	CE04W50V-2.2M(VR)	(1)	394680227T	
C2102	JAMICON TYPE ELECTROLYTIC CAPACITOR	CE04W50V-2.2M	1	398580227T	

C2102 or	VR TYPE ELECTROLYTIC CAPACITOR	CE04W50V-2.2M(VR)	(1)	394680227T	
C2103	JAMICON TYPE ELECTROLYTIC CAPACITOR	CE04W50V-2.2M	1	398580227T	
C2103 or	VR TYPE ELECTROLYTIC CAPACITOR	CE04W50V-2.2M(VR)	(1)	394680227T	
C2110	JAMICON TYPE ELECTROLYTIC CAPACITOR	CE04W50V-2.2M	1	398580227T	
C2110 or	VR TYPE ELECTROLYTIC CAPACITOR	CE04W50V-2.2M(VR)	(1)	394680227T	
C2111	JAMICON TYPE ELECTROLYTIC CAPACITOR	CE04W50V-2.2M	1	398580227T	
C2111 or	VR TYPE ELECTROLYTIC CAPACITOR	CE04W50V-2.2M(VR)	(1)	394680227T	
C2112	JAMICON TYPE ELECTROLYTIC CAPACITOR	CE04W50V-2.2M	1	398580227T	
C2112 or	VR TYPE ELECTROLYTIC CAPACITOR	CE04W50V-2.2M(VR)	(1)	394680227T	
C2114	CHIP TYPE CERAMIC CAPACITOR	CK725B1H-102K1	1	332101025R1	
C2116	CHIP TYPE CERAMIC CAPACITOR	CK725B1H-103K1	1	332101035R1	
C2117	JAMICON TYPE ELECTROLYTIC CAPACITOR	CE04W50V-2.2M	1	398580227T	
C2117 or	VR TYPE ELECTROLYTIC CAPACITOR	CE04W50V-2.2M(VR)	(1)	394680227T	
C2118	JAMICON TYPE ELECTROLYTIC CAPACITOR	CE04W50V-2.2M	1	398580227T	
C2118 or	VR TYPE ELECTROLYTIC CAPACITOR	CE04W50V-2.2M(VR)	(1)	394680227T	
C2119	JAMICON TYPE ELECTROLYTIC CAPACITOR	CE04W50V-2.2M	1	398580227T	
C2119 or	VR TYPE ELECTROLYTIC CAPACITOR	CE04W50V-2.2M(VR)	(1)	394680227T	
C2301	ELECTROLYTIC CAPACITOR	CE69W25V-10000M	1	3504512	
C2301 or	ELECTROLYTIC CAPACITOR	CE69W25V-10000M	(1)	3504502	
C2302	JAMICON TYPE ELECTROLYTIC CAPACITOR	CE04W50V-4.7M	1	398580477T	
C2302 or	VR TYPE ELECTROLYTIC CAPACITOR	CE04W50V-4.7M(VR)	(1)	394680477T	
C2303	TF TYPE PLASTIC FILM CAPACITOR	ECQ-V50V-334J	1	374723344T	
C2307	UTSP TYPE ELECTROLYTIC CAPACITOR	CE04W10V-220M(UTSP)	1	397532217AT	
C6600	CHIP TYPE CERAMIC CAPACITOR	CK725F1H-104Z1	1	332151040R1	
C6601	CHIP TYPE CERAMIC CAPACITOR	CK725F1H-104Z1	1	332151040R1	
C6602	CHIP TYPE CERAMIC CAPACITOR	CK725F1H-104Z1	1	332151040R1	
C6604	CHIP TYPE CERAMIC CAPACITOR	CK725F1H-104Z1	1	332151040R1	
C6606	CHIP TYPE CERAMIC CAPACITOR	CK725F1H-104Z1	1	332151040R1	
C6650	UMXR TYPE PLASTIC FILM CAPACITOR	1JUMXRTF102JE	1	376591024T	
C6651	UMXR TYPE PLASTIC FILM CAPACITOR	1JUMXRTF102JE	1	376591024T	
C6652	UMXR TYPE PLASTIC FILM CAPACITOR	1JUMXRTF102JE	1	376591024T	
C6653	UMXR TYPE PLASTIC FILM CAPACITOR	1JUMXRTF102JE	1	376591024T	
C6654	UMXR TYPE PLASTIC FILM CAPACITOR	1JUMXRTF102JE	1	376591024T	
C6655	UMXR TYPE PLASTIC FILM CAPACITOR	1JUMXRTF102JE	1	376591024T	
C6656	UMXR TYPE PLASTIC FILM CAPACITOR	1JUMXRTF102JE	1	376591024T	
C6657	UMXR TYPE PLASTIC FILM CAPACITOR	1JUMXRTF102JE	1	376591024T	
C6660	UMXR TYPE PLASTIC FILM CAPACITOR	1JUMXRTF102JE	1	376591024T	
<b>[RESISTOR]</b>					
F2301	FUSE	T4A-SEUL-T250V	1	252392T	!
R2003	CHIP TYPE CARBON RESISTOR	RN72K1J-103JE	1	435031034R1	
R2004	CHIP TYPE CARBON RESISTOR	RN72K1J-103JE	1	435031034R1	
R2005	CHIP TYPE CARBON RESISTOR	RN72K1J-000JE	1	435030004R1	
R2101	CHIP TYPE CARBON RESISTOR	RN72K1J-750JE	1	435037504R1	
R2102	CHIP TYPE CARBON RESISTOR	RN72K1J-750JE	1	435037504R1	
R2103	CHIP TYPE CARBON RESISTOR	RN72K1J-750JE	1	435037504R1	
R2110	CHIP TYPE CARBON RESISTOR	RN72K1J-750JE	1	435037504R1	
R2111	CHIP TYPE CARBON RESISTOR	RN72K1J-750JE	1	435037504R1	
R2112	CHIP TYPE CARBON RESISTOR	RN72K1J-750JE	1	435037504R1	
R2113	CHIP TYPE CARBON RESISTOR	RN72K1J-750JE	1	435037504R1	
R2114	CHIP TYPE CARBON RESISTOR	RN72K1J-750JE	1	435037504R1	
R2115	CHIP TYPE CARBON RESISTOR	RN72K1J-750JE	1	435037504R1	
R2201	CHIP TYPE CARBON RESISTOR	RN72K1J-000JE	1	435030004R1	
R2202	CHIP TYPE CARBON RESISTOR	RN72K1J-000JE	1	435030004R1	
R2203	CHIP TYPE CARBON RESISTOR	RN72K1J-000JE	1	435030004R1	
R2207	CHIP TYPE CARBON RESISTOR	RN72K1J-103JE	1	435031034R1	
R2208	CHIP TYPE CARBON RESISTOR	RN72K1J-103JE	1	435031034R1	
R2209	CHIP TYPE CARBON RESISTOR	RN72K1J-103JE	1	435031034R1	
R2210	CHIP TYPE CARBON RESISTOR	RN72K1J-103JE	1	435031034R1	
R2301	CHIP TYPE CARBON RESISTOR	RN72K1J-103JE	1	435031034R1	
R2302	CHIP TYPE CARBON RESISTOR	RN72K1J-103JE	1	435031034R1	
R6690	METAL OXIDE FILM RESISTOR	RS1/2WBJ-10	1	443521004T	
<b>[SW TRM]</b>					
P2202	PIN JACK	NPJ-9PDGLRY768	1	25046031	
P2800A	SOCKET	NSCT-13P2404	1	25052507	
P6003B	PLUG	NPLG-9P123	1	25055139	
P6005B	PLUG	NPLG-5P119	1	25055135	
P6600	TERMINAL	NTM-4PDMNRR420	1	25060492	
P6600B	PLUG	NPLG-7P121	1	25055137	

P6601	TERMINAL	NTM-2PDMCR400	1	25060472	
P6602	TERMINAL	NTM-4PDMNRR420	1	25060492	
P6604	TERMINAL	NTM-4PDMNRR420	1	25060492	
P6606	TERMINAL	NTM-4PDMNRR420	1	25060492	
P8001	WIRE HARNESS ASSEMBLY	NSAS-9P2142	1	2009991331UL	
P8001A	WIRE HOL	NSCT-9P880	1	25051093	
P8001Aor	WIRE HOL	CHD-1.5-9	(1)	25053538	N
P9502B	PLUG	NPLG-3P117	1	25055133	
RL6600	RELAY	NRL-2P5A-DC24-129	1	25065563A	
RL6600 or	RELAY	NRL-2P5A-DC24-193	(1)	25065703	
RL6601	RELAY	NRL-2P5A-DC24-129	1	25065563A	
RL6601 or	RELAY	NRL-2P5A-DC24-193	(1)	25065703	
RL6602	RELAY	NRL-2P5A-DC24-129	1	25065563A	
RL6602 or	RELAY	NRL-2P5A-DC24-193	(1)	25065703	
RL6604	RELAY	NRL-2P5A-DC24-129	1	25065563A	
RL6604 or	RELAY	NRL-2P5A-DC24-193	(1)	25065703	
RL6606	RELAY	NRL-2P5A-DC24-129	1	25065563A	
RL6606 or	RELAY	NRL-2P5A-DC24-193	(1)	25065703	

**[MECHA PARTS]**

D2301B	HEAT SINK	RAD-083	1	27160271	
--------	-----------	---------	---	----------	--

**U004**

BAPRC-1760-1N

: NSP

CIRCUIT NO	PART NAME	DESCRIPTION	Q'TY	PART NO. (SN)	REMARKS
<b>[SEMI CONDUCTOR]</b>					
D3000	CHIP TYPE DIODE	DA2J10100	1	223303R2	
D3000 or	CHIP TYPE DIODE	1SS352	(1)	223234R2	
D3001	CHIP TYPE DIODE	DA2J10100	1	223303R2	
D3001 or	CHIP TYPE DIODE	1SS352	(1)	223234R2	
D3002	CHIP TYPE DIODE	DA2J10100	1	223303R2	
D3002 or	CHIP TYPE DIODE	1SS352	(1)	223234R2	
D3003	CHIP TYPE DIODE	DA2J10100	1	223303R2	
D3003 or	CHIP TYPE DIODE	1SS352	(1)	223234R2	
D3402	CHIP TYPE DIODE	DA2J10100	1	223303R2	
D3402 or	CHIP TYPE DIODE	1SS352	(1)	223234R2	
D7001	CHIP TYPE DIODE	DA2J10100	1	223303R2	
D7001 or	CHIP TYPE DIODE	1SS352	(1)	223234R2	
D7002	CHIP TYPE DIODE	DA2J10100	1	223303R2	
D7002 or	CHIP TYPE DIODE	1SS352	(1)	223234R2	
D7003	CHIP TYPE DIODE	DA2J10100	1	223303R2	
D7003 or	CHIP TYPE DIODE	1SS352	(1)	223234R2	
D7004	CHIP TYPE DIODE	DA2J10100	1	223303R2	
D7004 or	CHIP TYPE DIODE	1SS352	(1)	223234R2	
D7006	CHIP TYPE DIODE	DA2J10100	1	223303R2	
D7006 or	CHIP TYPE DIODE	1SS352	(1)	223234R2	
D7007	ZENER DIODE	DZ2J062M0L	1	224760620R2	
D7007 or	ZENER DIODE	UDZS6.2B	(1)	224550620R2	
D7009	CHIP TYPE DIODE	DA2J10100	1	223303R2	
D7009 or	CHIP TYPE DIODE	1SS352	(1)	223234R2	
D8003	ESD	IMSA-6802-01Y901_1608SIZE	1	4000255AR1	
D8151	CHIP TYPE DIODE	DA2J10100	1	223303R2	
D8151 or	CHIP TYPE DIODE	1SS352	(1)	223234R2	
D8301	ZENER DIODE	DZ2J036M0L	1	224760360R2	
D8304	CHIP TYPE DIODE	DA2J10100	1	223303R2	
D8304 or	CHIP TYPE DIODE	1SS352	(1)	223234R2	
D8702	CHIP TYPE DIODE	DA2J10100	1	223303R2	
D8702 or	CHIP TYPE DIODE	1SS352	(1)	223234R2	
D8703	CHIP TYPE DIODE	DA2J10100	1	223303R2	
D8703 or	CHIP TYPE DIODE	1SS352	(1)	223234R2	
D8704	CHIP TYPE DIODE	DA2J10100	1	223303R2	
D8704 or	CHIP TYPE DIODE	1SS352	(1)	223234R2	
D8705	CHIP TYPE DIODE	DA2J10100	1	223303R2	
D8705 or	CHIP TYPE DIODE	1SS352	(1)	223234R2	
D8706	CHIP TYPE DIODE	DA2J10100	1	223303R2	
D8706 or	CHIP TYPE DIODE	1SS352	(1)	223234R2	

D8707	CHIP TYPE DIODE	DA2J10100	1	223303R2	
D8707 or	CHIP TYPE DIODE	1SS352	(1)	223234R2	
D8708	DIODE	CUS357	1	223320R2	
D8708 or	CHIP TYPE DIODE	1SS357	(1)	223281R2	
D8709	DIODE	CUS357	1	223320R2	
D8709 or	CHIP TYPE DIODE	1SS357	(1)	223281R2	
D8710	DIODE	CUS357	1	223320R2	
D8710 or	CHIP TYPE DIODE	1SS357	(1)	223281R2	
D8963	DIODE	RB050M-30GTR	1	22380373R2	
Q1001	HYBRID IC	TC7SZU04FU	1	22242512R2TO	
Q1002	HYBRID IC	PCM5101APWR	1	22242855R2	
Q1003	HYBRID IC	PCM9211PTR	1	22242703R2	
Q1004	HYBRID IC	AK4458VN	1	22242927R2	N
Q1005	HYBRID IC	PCM9211PTR	1	22242703R2	
Q1006	TRANSISTOR	KRC404E	1	2216450R2	
Q1006 or	TRANSISTOR	RN1104	(1)	2218240R2	N
Q1007	HYBRID IC	74VHC4040FT	1	22274040E1R2TO	N
Q1008	HYBRID IC	TC7WH241FU(TE12L_F)	1	22242076R2TO	
Q1090	HYBRID IC	MM3404A50NRE	1	22242701R2	
Q1091	HYBRID IC	S-1333A33-M5T1U3	1	22242934R2	N
Q3001	HYBRID IC	D830K013DZKB400	1	22242851R3	
Q3002	HYBRID IC	TC58DVM92A5TA10B3H	1	222W0125R3	firmware
Q3003	HYBRID IC	A3V56S40GTP-60RX	1	22242891R2	
Q3003 or	HYBRID IC	EM63A165TSB-6G	(1)	22242829R2	
Q3004	HYBRID IC	A3V56S40GTP-60RX	1	22242891R2	
Q3004 or	HYBRID IC	EM63A165TSB-6G	(1)	22242829R2	
Q3005	HYBRID IC	TC7W32FU	1	22241162R2	
Q3006	HYBRID IC	PST803C270NM	1	22242894R2	
Q3070	HYBRID IC	FP6861C-B1AS5CT	1	22242840R2	
Q3071	TRANSISTOR	KRC407E	1	2218350R2	
Q3071 or	TRANSISTOR	RN1107	(1)	2218260R2	
Q3072	TRANSISTOR	KRA307E	1	2218380R2	
Q3072 or	TRANSISTOR	RN2107	(1)	2218290R2	N
Q3100	TRANSISTOR	KRA302E	1	2218360R2	
Q3100 or	TRANSISTOR	RN2102	(1)	2218270R2	
Q3102	TRANSISTOR	KRC405E	1	2218340R2	
Q3102 or	TRANSISTOR	RN1105	(1)	2218250R2	
Q3103	HYBRID IC	S-1333A18-M5T1U3	1	22242956R2	N
Q3105	HYBRID IC	MF1337S3959	1	22242820R2	
Q3108	HYBRID IC	KSZ8081RNBCA	1	22242921R2	
Q3109	HYBRID IC	S-13A1A12-U5T1U3	1	22242841R2	
Q3120	HYBRID IC	FP6861C-B1AS5CT	1	22242840R2	
Q3121	HYBRID IC	FP6861C-B1AS5CT	1	22242840R2	
Q3200	HYBRID IC	74VHC541FT	1	22274541E1R2TO	
Q3202	HYBRID IC	74LCX125FT	1	22274125BR2TO	
Q3203	TRANSISTOR	KRC404E	1	2216450R2	
Q3203 or	TRANSISTOR	RN1104	(1)	2218240R2	N
Q3308	TRANSISTOR	KRC404E	1	2216450R2	
Q3308 or	TRANSISTOR	RN1104	(1)	2218240R2	N
Q3401	HYBRID IC	S25FL164K0XMF1013	1	22242955R2	
Q3404	HYBRID IC	CS49844A-CQZ	1	22242926R3	
Q3406	HYBRID IC	M12L64164A-7TG2Y	1	22242951R3	N
Q3410	TRANSISTOR	KRC404E	1	2216450R2	
Q3410 or	TRANSISTOR	RN1104	(1)	2218240R2	N
Q3412	HYBRID IC	FP6861C-B1AS5CT	1	22242840R2	
Q7001	HYBRID IC	M95640-WMN6TP	1	22242643R2	
Q7001 or	HYBRID IC	BR25S640FJ	(1)	22242761R2	
Q7002	TRANSISTOR	KRA302E	1	2218360R2	
Q7002 or	TRANSISTOR	RN2102	(1)	2218270R2	N
Q7003	TRANSISTOR	KRA302E	1	2218360R2	
Q7003 or	TRANSISTOR	RN2102	(1)	2218270R2	N
Q7004	TRANSISTOR	KRA302E	1	2218360R2	
Q7004 or	TRANSISTOR	RN2102	(1)	2218270R2	N
Q7005	TRANSISTOR	KRC404E	1	2216450R2	
Q7005 or	TRANSISTOR	RN1104	(1)	2218240R2	N
Q7006	TRANSISTOR	KRC404E	1	2216450R2	
Q7006 or	TRANSISTOR	RN1104	(1)	2218240R2	N
Q7007	TRANSISTOR	KRC404E	1	2216450R2	

Q7007 or	TRANSISTOR	RN1104	( 1)	2218240R2	N
Q7009	HYBRID IC	MPD70F3477AGJA-GAE-G	1	222W0117R3	firmware
Q7011	TRANSISTOR	KRA307E	1	2218380R2	
Q7011 or	TRANSISTOR	RN2107	( 1)	2218290R2	N
Q7012	TRANSISTOR	KRA307E	1	2218380R2	
Q7012 or	TRANSISTOR	RN2107	( 1)	2218290R2	N
Q7013	HYBRID IC	TC7WBL3305CFK	1	22242965R2	N
Q7014	TRANSISTOR	KRC402E	1	2218330R2	
Q7014 or	TRANSISTOR	RN1102	( 1)	2218230R2	N
Q7015	TRANSISTOR	KRC402E	1	2218330R2	
Q7015 or	TRANSISTOR	RN1102	( 1)	2218230R2	N
Q7016	TRANSISTOR	KRC405E	1	2218340R2	
Q7016 or	TRANSISTOR	RN1105	( 1)	2218250R2	N
Q7017	TRANSISTOR	KRC404E	1	2216450R2	
Q7017 or	TRANSISTOR	RN1104	( 1)	2218240R2	N
Q7018	HYBRID IC	S-1333A33-M5T1U3	1	22242934R2	N
Q7020	HYBRID IC	PST803C270NM	1	22242894R2	
Q7027	HYBRID IC	S-1333A33-M5T1U3	1	22242934R2	N
Q8000	HYBRID IC	MN864788	1	22242929R3	N
Q8003	HYBRID IC	74LCX125FT	1	22274125BR2TO	
Q8004	TRANSISTOR	2SA1162-GR	1	2214375R2	
Q8005	TRANSISTOR	KRC404E	1	2216450R2	
Q8005 or	TRANSISTOR	RN1104	( 1)	2218240R2	N
Q8032	TRANSISTOR	KRA302E	1	2218360R2	
Q8032 or	TRANSISTOR	RN2102	( 1)	2218270R2	N
Q8033	TRANSISTOR	KRC404E	1	2216450R2	
Q8033 or	TRANSISTOR	RN1104	( 1)	2218240R2	N
Q8101	HYBRID IC	W25Q128FVFIG	1	222W0136R2	firmware
Q8114	HYBRID IC	74LCX125FT	1	22274125BR2TO	
Q8115	HYBRID IC	74LCX125FT	1	22274125BR2TO	
Q8151	HYBRID IC	MM3404A50NRE	1	22242701R2	
Q8202	HYBRID IC	ADV7180KCP32Z-RL	1	22242763R2	
Q8203	HYBRID IC	S-1333A18-M5T1U3	1	22242956R2	N
Q8205	HYBRID IC	S-1333A18-M5T1U3	1	22242956R2	N
Q8300	HYBRID IC	S-13A1A13-U5T1U3	1	22242848R2	
Q8301	HYBRID IC	MM3404A50NRE	1	22242701R2	
Q8302	HYBRID IC	SI9573CTUC	1	22242762R3	
Q8303	TRANSISTOR	2SA1162-GR	1	2214375R2	
Q8307	HYBRID IC	S-1333A13-M5T1U3	1	22242957R2	N
Q8700	TRANSISTOR	KRC402E	1	2218330R2	
Q8700 or	TRANSISTOR	RN1102	( 1)	2218230R2	N
Q8701	HYBRID IC	TMPM361F10FG	1	222W0115R3	firmware
Q8702	HYBRID IC	FR9888CSPCTR	1	22242839R2	
Q8703	TRANSISTOR	RE1C001UNTCL	1	2218160R2	
Q8704	TRANSISTOR	KRA307E	1	2218380R2	
Q8704 or	TRANSISTOR	RN2107	( 1)	2218290R2	N
Q8705	TRANSISTOR	KRC402E	1	2218330R2	
Q8705 or	TRANSISTOR	RN1102	( 1)	2218230R2	N
Q8706	TRANSISTOR	KRC402E	1	2218330R2	
Q8706 or	TRANSISTOR	RN1102	( 1)	2218230R2	N
Q8707	TRANSISTOR	KRC402E	1	2218330R2	
Q8707 or	TRANSISTOR	RN1102	( 1)	2218230R2	N
Q8708	TRANSISTOR	KRC402E	1	2218330R2	
Q8708 or	TRANSISTOR	RN1102	( 1)	2218230R2	N
Q8709	TRANSISTOR	KRC402E	1	2218330R2	
Q8709 or	TRANSISTOR	RN1102	( 1)	2218230R2	N
Q8710	TRANSISTOR	2SC2712-GR	1	2213145R2	
Q8711	TRANSISTOR	INA5001AP1-T111	1	2218030R2	
Q8712	TRANSISTOR	KRC402E	1	2218330R2	
Q8712 or	TRANSISTOR	RN1102	( 1)	2218230R2	N
Q8713	TRANSISTOR	KRC402E	1	2218330R2	
Q8713 or	TRANSISTOR	RN1102	( 1)	2218230R2	N
Q8714	TRANSISTOR	2SA1162-GR	1	2214375R2	
Q8725	TRANSISTOR	KRC402E	1	2218330R2	
Q8725 or	TRANSISTOR	RN1102	( 1)	2218230R2	N
Q8727	TRANSISTOR	KRC402E	1	2218330R2	
Q8727 or	TRANSISTOR	RN1102	( 1)	2218230R2	N
Q8729	TRANSISTOR	KRC402E	1	2218330R2	

Q8729 or	TRANSISTOR	RN1102	( 1)	2218230R2	N
Q8730	TRANSISTOR	2SC2712-GR	1	2213145R2	
Q8731	TRANSISTOR	2SC2712-GR	1	2213145R2	
Q8732	TRANSISTOR	2SC2712-GR	1	2213145R2	
Q8931	HYBRID IC	FR9888CSPCTR	1	22242839R2	
Q8941	HYBRID IC	FR9888CSPCTR	1	22242839R2	
Q8942	HYBRID IC	TPS22924CZPZR	1	22242807R2	
Q8943	TRANSISTOR	KRC404E	1	2216450R2	
Q8943 or	TRANSISTOR	RN1104	( 1)	2218240R2	N
Q8951	HYBRID IC	FR9888CSPCTR	1	22242839R2	
Q8952	HYBRID IC	TPS22924CZPZR	1	22242807R2	
Q8953	TRANSISTOR	KRC404E	1	2216450R2	
Q8953 or	TRANSISTOR	RN1104	( 1)	2218240R2	N
Q8961	HYBRID IC	FR9887SPCTR	1	22242935R2	N
<b>[TRANS COIL]</b>					
L1000	CORE	BLM15PX181SN1D	1	2350033R1	
L1001	CORE	BLM15PX181SN1D	1	2350033R1	
L1004	CORE	BK1005LL241-T	1	2350032R1	
L1005	CORE	BK1005LL241-T	1	2350032R1	
L1006	CORE	BK1005LL241-T	1	2350032R1	
L1007	CORE	BK1005LL241-T	1	2350032R1	
L1009	CHOKE COIL	LBC2518T4R7M	1	231364M047R2	
L1010	CHOKE COIL	LBC2518T4R7M	1	231364M047R2	
L1011	CHOKE COIL	LBC2518T4R7M	1	231364M047R2	
L1012	CHOKE COIL	LBC2518T4R7M	1	231364M047R2	
L1013	CHOKE COIL	LBC2518T4R7M	1	231364M047R2	
L1014	CORE	BK1005LL241-T	1	2350032R1	
L1018	CORE	BLM15PX181SN1D	1	2350033R1	
L1019	CORE	BLM15PX181SN1D	1	2350033R1	
L3001	CORE	BLM15PX121SN1D	1	2350034R1	
L3002	CORE	BLM15PX121SN1D	1	2350034R1	
L3003	CORE	BLM15PX121SN1D	1	2350034R1	
L3004	CORE	BLM15PX121SN1D	1	2350034R1	
L3005	CORE	BLM15PX121SN1D	1	2350034R1	
L3006	CHOKE COIL	LBC2518T4R7M	1	231364M047R2	
L3101	CORE	EXC24CH900U	1	2350039R2	
L3102	CORE	BLM15PX181SN1D	1	2350033R1	
L3103	CORE	BLM15PX121SN1D	1	2350034R1	
L3104	CORE	BLM15PX121SN1D	1	2350034R1	
L3105	CORE	BLM15PX121SN1D	1	2350034R1	
L3106	CORE	BLM15PX121SN1D	1	2350034R1	
L3107	CORE	BLM15PX121SN1D	1	2350034R1	
L3108	CORE	BLM15PX121SN1D	1	2350034R1	
L3109	CORE	BLM15PX121SN1D	1	2350034R1	
L3110	CORE	BLM15PX121SN1D	1	2350034R1	
L3111	CORE	BLM15PX121SN1D	1	2350034R1	
L3112	CORE	EXC24CH900U	1	2350039R2	
L3114	CORE	BLM15PX121SN1D	1	2350034R1	
L3145	CORE	DLP2ADN900HL4L	1	230990R2	
L3146	CORE	BLM15PX121SN1D	1	2350034R1	
L3203	CORE	BK1005LL241-T	1	2350032R1	
L3209	CORE	BK1005LL241-T	1	2350032R1	
L3290	CORE	BK1005LL241-T	1	2350032R1	
L3403	CORE	BK1005LL241-T	1	2350032R1	
L3405	CORE	BLM15PX121SN1D	1	2350034R1	
L3406	CORE	BLM15PX330SN1D	1	2350043R1	N
L3407	CORE	BLM15PX121SN1D	1	2350034R1	
L3408	CORE	BLM15PX121SN1D	1	2350034R1	
L3409	CORE	BLM15PX181SN1D	1	2350033R1	
L3411	CORE	BK1005LL241-T	1	2350032R1	
L3412	CORE	BK1005LL241-T	1	2350032R1	
L7003	CHOKE COIL	BLM21PG221SN1	1	230949R2	
L7006	CORE	BLM15PX181SN1D	1	2350033R1	
L7007	CORE	BLM15PX181SN1D	1	2350033R1	
L8000	CORE	BK1005LL241-T	1	2350032R1	
L8001	CORE	EXC24CH900U	1	2350039R2	
L8002	CORE	EXC24CH900U	1	2350039R2	
L8003	CORE	EXC24CH900U	1	2350039R2	

L8004	CORE	EXC24CH900U	1	2350039R2	
L8006	CORE	BK1005LL241-T	1	2350032R1	
L8007	CORE	BLM15PX121SN1D	1	2350034R1	
L8008	CORE	BLM15PX121SN1D	1	2350034R1	
L8009	CORE	BLM15PX121SN1D	1	2350034R1	
L8010	CORE	BLM15PX121SN1D	1	2350034R1	
L8011	CORE	BLM15PX121SN1D	1	2350034R1	
L8012	CORE	BLM15PX121SN1D	1	2350034R1	
L8013	CORE	BLM15PX121SN1D	1	2350034R1	
L8014	CORE	BLM15PX121SN1D	1	2350034R1	
L8015	CORE	BLM15PX121SN1D	1	2350034R1	
L8016	CORE	BLM15PX121SN1D	1	2350034R1	
L8021	CORE	EXC24CH900U	1	2350039R2	
L8022	CORE	EXC24CH900U	1	2350039R2	
L8023	CORE	EXC24CH900U	1	2350039R2	
L8024	CORE	EXC24CH900U	1	2350039R2	
L8152	CORE	BLM15PX121SN1D	1	2350034R1	
L8153	CORE	BLM15PX181SN1D	1	2350033R1	
L8154	CORE	BLM15PX181SN1D	1	2350033R1	
L8157	CORE	BLM15PX181SN1D	1	2350033R1	
L8158	CORE	BLM15PX181SN1D	1	2350033R1	
L8202	CORE	BLM15PX181SN1D	1	2350033R1	
L8205	CORE	BLM15PX181SN1D	1	2350033R1	
L8207	CORE	BLM15PX181SN1D	1	2350033R1	
L8210	CORE	BLM15PX181SN1D	1	2350033R1	
L8302	CORE	BLM15PX181SN1D	1	2350033R1	
L8303	CORE	BLM15PX181SN1D	1	2350033R1	
L8304	CORE	BLM15PX181SN1D	1	2350033R1	
L8305	CORE	BLM15PX181SN1D	1	2350033R1	
L8306	CORE	BLM15PX181SN1D	1	2350033R1	
L8307	CORE	BLM15PX181SN1D	1	2350033R1	
L8308	CORE	BLM15PX181SN1D	1	2350033R1	
L8310	CORE	BLM15PX181SN1D	1	2350033R1	
L8700	CHOKE COIL	BLM21PG221SN1	1	230949R2	
L8702	CORE	BLM15PX181SN1D	1	2350033R1	
L8703	CHOKE COIL	1255AS-100M	1	231482M100R2	N
L8704	CHOKE COIL	BLM21PG221SN1	1	230949R2	
L8705	CHOKE COIL	BLM21PG221SN1	1	230949R2	
L8710	CORE	BLM15PX181SN1D	1	2350033R1	
L8931	CHOKE COIL	BLM21PG221SN1	1	230949R2	
L8932	CHOKE COIL	1255AS-100M	1	231482M100R2	N
L8941	CHOKE COIL	BLM21PG221SN1	1	230949R2	
L8942	CHOKE COIL	1255AS-100M	1	231482M100R2	N
L8951	CHOKE COIL	BLM21PG221SN1	1	230949R2	
L8952	CHOKE COIL	1255AS-100M	1	231482M100R2	N
L8961	CHOKE COIL	BLM21PG221SN1	1	230949R2	
L8962	CHOKE COIL	1255AS-100M	1	231482M100R2	N
L8965	CORE	BLM15PX181SN1D	1	2350033R1	
X1001	CRYSTAL	HC-49S 9C22.5792M	1	3010535R2	
X3001	CRYSTAL	HC-49S 9C20.0000M	1	3010514R2	
X3401	CRYSTAL	HC-49S 9C24.5760M	1	3010516R2	
X7001	CRYSTAL	CSTCR4M00G53-R0	1	3010536R2	N
X8031	CRYSTAL	HC-49S 9C27.0000M	1	3010518R2	
X8201	CRYSTAL	HC-49S 9C28.6363M	1	3010519R2	
X8301	CRYSTAL	HC-49S 9C27.0000M	1	3010518R2	
X8701	CERAMIC RESONATOR	CSTCE8M00G55-R0	1	3010416R2	
<b>[CAPACITOR]</b>					
C1000	CHIP ELECT C	CECS6.3V-22M	1	398622207R2	N
C1000 or	CHIP ELECT C	CEWX6.3V-22M	(1)	398122207R2	
C1001	CHIP TYPE CERAMIC CAPACITOR	CK725B1C-104K0	1	332011045R1	
C1002	CHIP TYPE CERAMIC CAPACITOR	CK725B1C-104K0	1	332011045R1	
C1004	CHIP TYPE CERAMIC CAPACITOR	CK725B1C-104K0	1	332011045R1	
C1005	CHIP ELECT C	CECS6.3V-22M	1	398622207R2	N
C1005 or	CHIP ELECT C	CEWX6.3V-22M	(1)	398122207R2	
C1006	CHIP TYPE CERAMIC CAPACITOR	CK725B1C-104K0	1	332011045R1	
C1007	CHIP ELECT C	CECS6.3V-22M	1	398622207R2	N
C1007 or	CHIP ELECT C	CEWX6.3V-22M	(1)	398122207R2	
C1008	CHIP TYPE CERAMIC CAPACITOR	CC725CH1H-150J0	1	342031504R1	



C1009	CHIP TYPE CERAMIC CAPACITOR	CC725CH1H-120J0	1	342031204R1	
C1010	CHIP TYPE CERAMIC CAPACITOR	CK725B1C-104K0	1	332011045R1	
C1011	CHIP TYPE CERAMIC CAPACITOR	CK725B1C-104K0	1	332011045R1	
C1012	CHIP ELECT C	CECS4V-220M	1	3986G2217R2	N
C1012 or	CHIP ELECT C	CEWX4V-220M	(1)	3981G2217R2	
C1013	CHIP TYPE CERAMIC CAPACITOR	CK725B1C-104K0	1	332011045R1	
C1014	CHIP TYPE CERAMIC CAPACITOR	CK725B1C-104K0	1	332011045R1	
C1015	CHIP TYPE CERAMIC CAPACITOR	CK725B1C-104K0	1	332011045R1	
C1016	CHIP TYPE CERAMIC CAPACITOR	CK725B1C-104K0	1	332011045R1	
C1017	CHIP ELECT C	CECS16V-100M	1	398641017R2	N
C1017 or	CHIP ELECT C	CEWX16V-100M	(1)	398141017R2	
C1018	CHIP TYPE CERAMIC CAPACITOR	CK725B1C-104K0	1	332011045R1	
C1019	CHIP TYPE CERAMIC CAPACITOR	CK732B16V-106K	1	332071065R2	
C1020	CHIP ELECT C	CECS4V-220M	1	3986G2217R2	N
C1020 or	CHIP ELECT C	CEWX4V-220M	(1)	3981G2217R2	
C1021	CHIP TYPE CERAMIC CAPACITOR	CK725B1H-472K0	1	332034725R1	
C1022	CHIP ELECT C	CE32W16V-47M(EC-PC)	1	3500238R2	N
C1023	CHIP ELECT C	CECS16V-100M	1	398641017R2	N
C1023 or	CHIP ELECT C	CEWX16V-100M	(1)	398141017R2	
C1024	CHIP TYPE CERAMIC CAPACITOR	CK732B16V-106K	1	332071065R2	
C1025	CHIP TYPE CERAMIC CAPACITOR	CK725B1H-223K0	1	332032235R1	
C1026	CHIP TYPE CERAMIC CAPACITOR	CK725B1E-473K0	1	332024735R1	
C1027	CHIP ELECT C	CECS4V-220M	1	3986G2217R2	N
C1027 or	CHIP ELECT C	CEWX4V-220M	(1)	3981G2217R2	
C1030	CHIP TYPE CERAMIC CAPACITOR	CK732B16V-106K	1	332071065R2	
C1031	CHIP ELECT C	CECS6.3V-22M	1	398622207R2	N
C1031 or	CHIP ELECT C	CEWX6.3V-22M	(1)	398122207R2	
C1032	CHIP TYPE CERAMIC CAPACITOR	CK725B1A-105K0	1	332001055R1	
C1033	CHIP TYPE CERAMIC CAPACITOR	CK725B1A-105K0	1	332001055R1	
C1037	CHIP TYPE CERAMIC CAPACITOR	CK732B16V-106K	1	332071065R2	
C1038	CHIP TYPE CERAMIC CAPACITOR	CK725B1H-102K0	1	332031025R1	
C1040	CHIP TYPE CERAMIC CAPACITOR	CK725B1H-472K0	1	332034725R1	
C1051	CHIP TYPE CERAMIC CAPACITOR	CK725B1C-104K0	1	332011045R1	
C1052	CHIP TYPE CERAMIC CAPACITOR	CK725B1C-104K0	1	332011045R1	
C1053	CHIP TYPE CERAMIC CAPACITOR	CK725B1C-104K0	1	332011045R1	
C1054	CHIP TYPE CERAMIC CAPACITOR	CK725B1A-225K1	1	332132255R1	
C1055	CHIP TYPE CERAMIC CAPACITOR	CK725B1A-225K1	1	332132255R1	
C1056	CHIP TYPE CERAMIC CAPACITOR	CK725B1C-104K0	1	332011045R1	
C1057	CHIP TYPE CERAMIC CAPACITOR	CK732B16V-106K	1	332071065R2	
C1058	CHIP TYPE CERAMIC CAPACITOR	CK725B1H-103K0	1	332031035R1	
C1059	CHIP TYPE CERAMIC CAPACITOR	CK725B1H-103K0	1	332031035R1	
C1062	CHIP TYPE CERAMIC CAPACITOR	CK725B1H-223K0	1	332032235R1	
C1063	CHIP TYPE CERAMIC CAPACITOR	CK725B1E-473K0	1	332024735R1	
C1068	CHIP TYPE CERAMIC CAPACITOR	CK725B1C-104K0	1	332011045R1	
C1069	CHIP TYPE CERAMIC CAPACITOR	CK725B1C-104K0	1	332011045R1	
C1071	CHIP TYPE CERAMIC CAPACITOR	CK725B1C-104K0	1	332011045R1	
C1072	CHIP TYPE CERAMIC CAPACITOR	CK725B1C-104K0	1	332011045R1	
C1073	CHIP TYPE CERAMIC CAPACITOR	CK725B1C-104K0	1	332011045R1	
C1074	CHIP TYPE CERAMIC CAPACITOR	CK725B1C-104K0	1	332011045R1	
C1075	CHIP TYPE CERAMIC CAPACITOR	CK725B1C-104K0	1	332011045R1	
C1079	CHIP TYPE CERAMIC CAPACITOR	CK725B1C-104K0	1	332011045R1	
C1091	CHIP TYPE CERAMIC CAPACITOR	CK725B0J-226M	1	332092267R2	
C1092	CHIP TYPE CERAMIC CAPACITOR	CK732B16V-106K	1	332071065R2	
C1093	CHIP TYPE CERAMIC CAPACITOR	CK732B16V-106K	1	332071065R2	
C1094	CHIP TYPE CERAMIC CAPACITOR	CK732B16V-106K	1	332071065R2	
C3001	CHIP TYPE CERAMIC CAPACITOR	CK725B1A-105K0	1	332001055R1	
C3002	CHIP TYPE CERAMIC CAPACITOR	CK725B1A-105K0	1	332001055R1	
C3003	CHIP TYPE CERAMIC CAPACITOR	CK732B16V-106K	1	332071065R2	
C3004	CHIP TYPE CERAMIC CAPACITOR	CK732B16V-106K	1	332071065R2	
C3005	CHIP TYPE CERAMIC CAPACITOR	CK725B1A-105K0	1	332001055R1	
C3006	CHIP TYPE CERAMIC CAPACITOR	CK725B1H-102K0	1	332031025R1	
C3007	CHIP TYPE CERAMIC CAPACITOR	CK725B1A-105K0	1	332001055R1	
C3008	CHIP TYPE CERAMIC CAPACITOR	CK725B1H-102K0	1	332031025R1	
C3009	CHIP TYPE CERAMIC CAPACITOR	CK725B1A-105K0	1	332001055R1	
C3010	CHIP TYPE CERAMIC CAPACITOR	CK725B1A-105K0	1	332001055R1	
C3011	CHIP TYPE CERAMIC CAPACITOR	CK725B1A-105K0	1	332001055R1	
C3012	CHIP TYPE CERAMIC CAPACITOR	CK725B1H-102K0	1	332031025R1	
C3013	CHIP TYPE CERAMIC CAPACITOR	CK725B1A-105K0	1	332001055R1	













C8953	CHIP TYPE CERAMIC CAPACITOR	CK725B1E-106K	1	332221065R2
C8954	CHIP TYPE CERAMIC CAPACITOR	CK725B1E-106K	1	332221065R2
C8955	CHIP TYPE CERAMIC CAPACITOR	CK725B1H-103K0	1	332031035R1
C8956	CHIP TYPE CERAMIC CAPACITOR	CK725B0J-226M	1	332092267R2
C8957	CHIP TYPE CERAMIC CAPACITOR	CK725B0J-226M	1	332092267R2
C8961	CHIP TYPE CERAMIC CAPACITOR	CK725B1H-103K0	1	332031035R1
C8962	CHIP TYPE CERAMIC CAPACITOR	CK725B1C-104K0	1	332011045R1
C8963	CHIP TYPE CERAMIC CAPACITOR	CK725B1E-106K	1	332221065R2
C8964	CHIP TYPE CERAMIC CAPACITOR	CK725B1E-106K	1	332221065R2
C8966	CHIP TYPE CERAMIC CAPACITOR	CK725B0J-226M	1	332092267R2
C8967	CHIP TYPE CERAMIC CAPACITOR	CK725B0J-226M	1	332092267R2
C8980	CHIP TYPE CERAMIC CAPACITOR	CK725B1A-105K0	1	332001055R1
C8981	CHIP TYPE CERAMIC CAPACITOR	CK732B16V-106K	1	332071065R2
C8982	CHIP TYPE CERAMIC CAPACITOR	CK725B1A-105K0	1	332001055R1
C8983	CHIP TYPE CERAMIC CAPACITOR	CK732B16V-106K	1	332071065R2
<b>[RESISTOR]</b>				
R1000	CHIP TYPE CARBON RESISTOR	RN72K1J-000JE	1	435030004R1
R1001	CHIP TYPE CARBON RESISTOR	RN72K1J-331JE	1	435033314R1
R1002	CHIP TYPE CARBON RESISTOR	RN72K1J-151JE	1	435031514R1
R1003	CHIP TYPE CARBON RESISTOR	RN72K1J-151JE	1	435031514R1
R1004	CHIP TYPE CARBON RESISTOR	RN72K1J-151JE	1	435031514R1
R1005	CHIP TYPE CARBON RESISTOR	RN72K1J-331JE	1	435033314R1
R1006	CHIP TYPE CARBON RESISTOR	RN72K1J-560JE	1	435035604R1
R1007	CHIP TYPE CARBON RESISTOR	RN72K1J-105JE	1	435031054R1
R1008	CHIP TYPE CARBON RESISTOR	RN72K1J-152JE	1	435031524R1
R1009	CHIP TYPE CARBON RESISTOR	RN72K1J-000JE	1	435030004R1
R1010	CHIP TYPE CARBON RESISTOR	RN72K1J-103JE	1	435031034R1
R1011	CHIP TYPE CARBON RESISTOR	RN72K1J-220JE	1	435032204R1
R1012	CHIP TYPE CARBON RESISTOR	RN72K1J-220JE	1	435032204R1
R1013	CHIP TYPE CARBON RESISTOR	RN72K1J-220JE	1	435032204R1
R1014	CHIP TYPE CARBON RESISTOR	RN72K1J-220JE	1	435032204R1
R1015	CHIP TYPE CARBON RESISTOR	RN72K1J-220JE	1	435032204R1
R1016	CHIP TYPE CARBON RESISTOR	RN72K1J-220JE	1	435032204R1
R1017	CHIP TYPE CARBON RESISTOR	RN72K1J-470JE	1	435034704R1
R1018	CHIP TYPE CARBON RESISTOR	RN72K1J-000JE	1	435030004R1
R1019	CHIP TYPE CARBON RESISTOR	RN72K1J-470JE	1	435034704R1
R1020	CHIP TYPE CARBON RESISTOR	RN72K1J-391JE	1	435033914R1
R1021	CHIP TYPE CARBON RESISTOR	RN72K1J-101JE	1	435031014R1
R1022	CHIP TYPE CARBON RESISTOR	RN72K1J-151JE	1	435031514R1
R1023	CHIP TYPE CARBON RESISTOR	RN72K1J-221JE	1	435032214R1
R1024	CHIP TYPE CARBON RESISTOR	RN72K1J-470JE	1	435034704R1
R1025	CHIP TYPE CARBON RESISTOR	RN72K1J-470JE	1	435034704R1
R1026	CHIP TYPE CARBON RESISTOR	RN72K1J-331JE	1	435033314R1
R1027	CHIP TYPE CARBON RESISTOR	RN72K1J-221JE	1	435032214R1
R1028	CHIP TYPE CARBON RESISTOR	RN72K1J-221JE	1	435032214R1
R1029	CHIP TYPE CARBON RESISTOR	RN72K1J-102JE	1	435031024R1
R1030	CHIP TYPE CARBON RESISTOR	RN72K1J-000JE	1	435030004R1
R1031	CHIP TYPE CARBON RESISTOR	RN72K1J-331JE	1	435033314R1
R1032	CHIP TYPE CARBON RESISTOR	RN72K1J-331JE	1	435033314R1
R1033	CHIP TYPE CARBON RESISTOR	RN72K1J-000JE	1	435030004R1
R1034	CHIP TYPE CARBON RESISTOR	RN72K1J-221JE	1	435032214R1
R1035	CHIP TYPE CARBON RESISTOR	RN72K1J-331JE	1	435033314R1
R1036	CHIP TYPE CARBON RESISTOR	RN72K1J-331JE	1	435033314R1
R1037	CHIP TYPE CARBON RESISTOR	RN72K1J-331JE	1	435033314R1
R1038	CHIP TYPE CARBON RESISTOR	RN72K1J-103JE	1	435031034R1
R1039	CHIP TYPE CARBON RESISTOR	RN72K1J-330JE	1	435033304R1
R1040	CHIP TYPE CARBON RESISTOR	RN72K1J-331JE	1	435033314R1
R1041	CHIP TYPE CARBON RESISTOR	RN72K1J-221JE	1	435032214R1
R1042	CHIP TYPE CARBON RESISTOR	RN72K1J-331JE	1	435033314R1
R1043	CHIP TYPE CARBON RESISTOR	RN72K1J-221JE	1	435032214R1
R1044	CHIP TYPE CARBON RESISTOR	RN72K1J-221JE	1	435032214R1
R1046	CHIP TYPE CARBON RESISTOR	RN72K1J-470JE	1	435034704R1
R1047	CHIP TYPE CARBON RESISTOR	RN72K1J-681JE	1	435036814R1
R1049	CHIP TYPE CARBON RESISTOR	RN72K1J-103JE	1	435031034R1
R1051	CHIP TYPE CARBON RESISTOR	RN72K1J-000JE	1	435030004R1
R1052	CHIP TYPE CARBON RESISTOR	RN72K1J-000JE	1	435030004R1
R1054	CHIP TYPE CARBON RESISTOR	RN72K1J-221JE	1	435032214R1
R1055	CHIP TYPE CARBON RESISTOR	RN72K1J-000JE	1	435030004R1



R1057	CHIP TYPE CARBON RESISTOR	RN72K1J-221JE	1	435032214R1
R1058	CHIP RESISTOR NETWORK	YCN104-103-JK	1	43464C10304R1
R1058 or	CHIP RESISTOR NETWORK	MNR04MRAPJ103	(1)	43464710304R2
R1059	CHIP TYPE CARBON RESISTOR	RN72K1J-103JE	1	435031034R1
R1060	CHIP TYPE CARBON RESISTOR	RN72K1J-470JE	1	435034704R1
R1061	CHIP TYPE CARBON RESISTOR	RN72K1J-103JE	1	435031034R1
R1062	CHIP TYPE CARBON RESISTOR	RN72K1J-221JE	1	435032214R1
R1063	CHIP TYPE CARBON RESISTOR	RN72K1J-103JE	1	435031034R1
R1064	CHIP TYPE CARBON RESISTOR	RN72K1J-221JE	1	435032214R1
R1065	CHIP TYPE CARBON RESISTOR	RN72K1J-103JE	1	435031034R1
R1066	CHIP TYPE CARBON RESISTOR	RN72K1J-470JE	1	435034704R1
R1067	CHIP TYPE CARBON RESISTOR	RN72K1J-221JE	1	435032214R1
R1068	CHIP TYPE CARBON RESISTOR	RN72K1J-470JE	1	435034704R1
R1069	CHIP TYPE CARBON RESISTOR	RN72K1J-151JE	1	435031514R1
R1071	CHIP TYPE CARBON RESISTOR	RN72K1J-470JE	1	435034704R1
R1072	CHIP TYPE CARBON RESISTOR	RN72K1J-331JE	1	435033314R1
R1073	CHIP TYPE CARBON RESISTOR	RN72K1J-331JE	1	435033314R1
R1074	CHIP TYPE CARBON RESISTOR	RN72K1J-331JE	1	435033314R1
R1075	CHIP TYPE CARBON RESISTOR	RN72K1J-221JE	1	435032214R1
R1076	CHIP TYPE CARBON RESISTOR	RN72K1J-101JE	1	435031014R1
R1077	CHIP TYPE CARBON RESISTOR	RN72K1J-101JE	1	435031014R1
R1080	CHIP TYPE CARBON RESISTOR	RN72K1J-470JE	1	435034704R1
R1081	CHIP TYPE CARBON RESISTOR	RN72K1J-181JE	1	435031814R1
R1083	CHIP TYPE CARBON RESISTOR	RN72K1J-103JE	1	435031034R1
R1084	CHIP TYPE CARBON RESISTOR	RN72K1J-331JE	1	435033314R1
R1085	CHIP TYPE CARBON RESISTOR	RN72K1J-181JE	1	435031814R1
R1086	CHIP TYPE CARBON RESISTOR	RN72K1J-103JE	1	435031034R1
R1087	CHIP TYPE CARBON RESISTOR	RN72K1J-471JE	1	435034714R1
R1088	CHIP TYPE CARBON RESISTOR	RN72K1J-471JE	1	435034714R1
R1089	CHIP TYPE CARBON RESISTOR	RN72K1J-103JE	1	435031034R1
R1090	CHIP TYPE CARBON RESISTOR	RN72K1J-103JE	1	435031034R1
R1091	CHIP TYPE CARBON RESISTOR	RN72K1J-103JE	1	435031034R1
R1092	CHIP TYPE CARBON RESISTOR	RN72K1J-103JE	1	435031034R1
R1093	CHIP TYPE CARBON RESISTOR	RN72K1J-103JE	1	435031034R1
R1098	CHIP TYPE CARBON RESISTOR	RN72K1J-331JE	1	435033314R1
R1102	CHIP TYPE CARBON RESISTOR	RN72K1J-221JE	1	435032214R1
R1103	CHIP TYPE CARBON RESISTOR	RN72K1J-331JE	1	435033314R1
R1104	CHIP TYPE CARBON RESISTOR	RN72K1J-470JE	1	435034704R1
R1105	CHIP TYPE CARBON RESISTOR	RN72K1J-681JE	1	435036814R1
R1107	CHIP TYPE CARBON RESISTOR	RN72K1J-103JE	1	435031034R1
R1108	CHIP TYPE CARBON RESISTOR	RN72K1J-221JE	1	435032214R1
R1109	CHIP TYPE CARBON RESISTOR	RN72K1J-470JE	1	435034704R1
R1110	CHIP TYPE CARBON RESISTOR	RN72K1J-103JE	1	435031034R1
R1111	CHIP TYPE CARBON RESISTOR	RN72K1J-221JE	1	435032214R1
R1112	CHIP TYPE CARBON RESISTOR	RN72K1J-221JE	1	435032214R1
R1113	CHIP TYPE CARBON RESISTOR	RN72K1J-103JE	1	435031034R1
R1114	CHIP TYPE CARBON RESISTOR	RN72K1J-221JE	1	435032214R1
R1115	CHIP TYPE CARBON RESISTOR	RN72K1J-221JE	1	435032214R1
R3007	CHIP TYPE CARBON RESISTOR	RN72K1J-470JE	1	435034704R1
R3009	CHIP TYPE CARBON RESISTOR	RN72K1J-330JE	1	435033304R1
R3010	CHIP RESISTOR NETWORK	YCN104-330-JK	1	43464C33004R1
R3010 or	CHIP RESISTOR NETWORK	MNR04MRAPJ330	(1)	43464733004R2
R3011	CHIP RESISTOR NETWORK	YCN104-330-JK	1	43464C33004R1
R3011 or	CHIP RESISTOR NETWORK	MNR04MRAPJ330	(1)	43464733004R2
R3012	CHIP RESISTOR NETWORK	YCN104-470-JK	1	43464C47004R1
R3012 or	CHIP RESISTOR NETWORK	MNR04MRAPJ470	(1)	43464747004R2
R3013	CHIP RESISTOR NETWORK	YCN104-330-JK	1	43464C33004R1
R3013 or	CHIP RESISTOR NETWORK	MNR04MRAPJ330	(1)	43464733004R2
R3014	CHIP RESISTOR NETWORK	YCN104-330-JK	1	43464C33004R1
R3014 or	CHIP RESISTOR NETWORK	MNR04MRAPJ330	(1)	43464733004R2
R3015	CHIP RESISTOR NETWORK	YCN104-330-JK	1	43464C33004R1
R3015 or	CHIP RESISTOR NETWORK	MNR04MRAPJ330	(1)	43464733004R2
R3016	CHIP TYPE CARBON RESISTOR	RN72K1J-470JE	1	435034704R1
R3017	CHIP RESISTOR NETWORK	YCN104-330-JK	1	43464C33004R1
R3017 or	CHIP RESISTOR NETWORK	MNR04MRAPJ330	(1)	43464733004R2
R3018	CHIP TYPE CARBON RESISTOR	RN72K1J-470JE	1	435034704R1
R3019	CHIP RESISTOR NETWORK	YCN104-330-JK	1	43464C33004R1
R3019 or	CHIP RESISTOR NETWORK	MNR04MRAPJ330	(1)	43464733004R2

R3020	CHIP RESISTOR NETWORK	YCN104-330-JK	1	43464C33004R1
R3020 or	CHIP RESISTOR NETWORK	MNR04MRAPJ330	( 1)	43464733004R2
R3021	CHIP TYPE CARBON RESISTOR	RN72K1J-470JE	1	435034704R1
R3022	CHIP TYPE CARBON RESISTOR	RN72K1J-470JE	1	435034704R1
R3023	CHIP RESISTOR NETWORK	YCN104-470-JK	1	43464C47004R1
R3023 or	CHIP RESISTOR NETWORK	MNR04MRAPJ470	( 1)	43464747004R2
R3024	CHIP TYPE CARBON RESISTOR	RN72K1J-470JE	1	435034704R1
R3025	CHIP TYPE CARBON RESISTOR	RN72K1J-102JE	1	435031024R1
R3028	CHIP TYPE CARBON RESISTOR	RN72K1J-470JE	1	435034704R1
R3029	CHIP TYPE CARBON RESISTOR	RN72K1J-102JE	1	435031024R1
R3032	CHIP TYPE CARBON RESISTOR	RN72K1J-103JE	1	435031034R1
R3033	CHIP TYPE CARBON RESISTOR	RN72K1J-470JE	1	435034704R1
R3034	CHIP TYPE CARBON RESISTOR	RN72K1J-470JE	1	435034704R1
R3035	CHIP TYPE CARBON RESISTOR	RN72K1J-470JE	1	435034704R1
R3036	CHIP TYPE CARBON RESISTOR	RN72K1J-470JE	1	435034704R1
R3037	CHIP TYPE CARBON RESISTOR	RN72K1J-470JE	1	435034704R1
R3038	CHIP TYPE CARBON RESISTOR	RN72K1J-470JE	1	435034704R1
R3039	CHIP TYPE CARBON RESISTOR	RN72K1J-470JE	1	435034704R1
R3040	CHIP TYPE CARBON RESISTOR	RN72K1J-103JE	1	435031034R1
R3041	CHIP RESISTOR NETWORK	YCN104-330-JK	1	43464C33004R1
R3041 or	CHIP RESISTOR NETWORK	MNR04MRAPJ330	( 1)	43464733004R2
R3042	CHIP RESISTOR NETWORK	YCN104-330-JK	1	43464C33004R1
R3042 or	CHIP RESISTOR NETWORK	MNR04MRAPJ330	( 1)	43464733004R2
R3043	CHIP TYPE CARBON RESISTOR	RN72K1J-000JE	1	435030004R1
R3044	CHIP RESISTOR NETWORK	YCN104-330-JK	1	43464C33004R1
R3044 or	CHIP RESISTOR NETWORK	MNR04MRAPJ330	( 1)	43464733004R2
R3045	CHIP RESISTOR NETWORK	YCN104-330-JK	1	43464C33004R1
R3045 or	CHIP RESISTOR NETWORK	MNR04MRAPJ330	( 1)	43464733004R2
R3047	CHIP TYPE CARBON RESISTOR	RN72K1J-560JE	1	435035604R1
R3048	CHIP TYPE CARBON RESISTOR	RN72K1J-101JE	1	435031014R1
R3049	CHIP TYPE CARBON RESISTOR	RN72K1J-560JE	1	435035604R1
R3050	CHIP TYPE CARBON RESISTOR	RN72K1J-560JE	1	435035604R1
R3051	CHIP TYPE CARBON RESISTOR	RN72K1J-560JE	1	435035604R1
R3054	CHIP TYPE CARBON RESISTOR	RN72K1J-103JE	1	435031034R1
R3056	CHIP TYPE CARBON RESISTOR	RN72K1J-472JE	1	435034724R1
R3060	CHIP TYPE CARBON RESISTOR	RN72K1J-680JE	1	435036804R1
R3061	CHIP TYPE CARBON RESISTOR	RN72K1J-470JE	1	435034704R1
R3062	CHIP TYPE CARBON RESISTOR	RN72K1J-680JE	1	435036804R1
R3063	CHIP TYPE CARBON RESISTOR	RN72K1J-680JE	1	435036804R1
R3064	CHIP TYPE CARBON RESISTOR	RN72K1J-680JE	1	435036804R1
R3065	CHIP TYPE CARBON RESISTOR	RN72K1J-680JE	1	435036804R1
R3066	CHIP TYPE CARBON RESISTOR	RN72K1J-102JE	1	435031024R1
R3067	CHIP TYPE CARBON RESISTOR	RN72K1J-103JE	1	435031034R1
R3068	CHIP TYPE CARBON RESISTOR	RN72K1J-472JE	1	435034724R1
R3108	CHIP TYPE CARBON RESISTOR	RN72K1J-103JE	1	435031034R1
R3110	CHIP TYPE CARBON RESISTOR	RN72K1J-103JE	1	435031034R1
R3111	CHIP TYPE CARBON RESISTOR	RN72K1J-103JE	1	435031034R1
R3113	CHIP TYPE CARBON RESISTOR	RN72K1J-103JE	1	435031034R1
R3115	CHIP TYPE CARBON RESISTOR	RN72K1J-332JE	1	435033324R1
R3117	CHIP TYPE CARBON RESISTOR	RN72K1J-332JE	1	435033324R1
R3119	CHIP TYPE CARBON RESISTOR	RN72K1J-332JE	1	435033324R1
R3122	CHIP TYPE CARBON RESISTOR	RN72K1J-102JE	1	435031024R1
R3123	CHIP TYPE CARBON RESISTOR	RN72K1J-000JE	1	435030004R1
R3124	CHIP TYPE CARBON RESISTOR	RN72K1J-331JE	1	435033314R1
R3125	CHIP TYPE CARBON RESISTOR	RN72K1J-470JE	1	435034704R1
R3126	CHIP TYPE CARBON RESISTOR	RN72K1J-470JE	1	435034704R1
R3127	CHIP TYPE CARBON RESISTOR	RN72K1J-470JE	1	435034704R1
R3128	CHIP TYPE CARBON RESISTOR	RN72K1J-472JE	1	435034724R1
R3129	CHIP TYPE CARBON RESISTOR	RN72K1J-470JE	1	435034704R1
R3130	CHIP TYPE CARBON RESISTOR	RN72K1J-470JE	1	435034704R1
R3131	CHIP TYPE CARBON RESISTOR	RN72K1J-470JE	1	435034704R1
R3132	CHIP TYPE CARBON RESISTOR	RN72K1J-103JE	1	435031034R1
R3133	CHIP TYPE CARBON RESISTOR	RN72K1J-470JE	1	435034704R1
R3134	CHIP TYPE CARBON RESISTOR	RN72K1J-472JE	1	435034724R1
R3135	CHIP TYPE CARBON RESISTOR	RN72K1J-472JE	1	435034724R1
R3136	CHIP TYPE CARBON RESISTOR	RN72K1J-000JE	1	435030004R1
R3137	CHIP TYPE CARBON RESISTOR	RN72K1J-000JE	1	435030004R1
R3138	CHIP TYPE CARBON RESISTOR	RN72K1J-102JE	1	435031024R1

R3139	CHIP TYPE CARBON RESISTOR	RN72K1J-101JE	1	435031014R1
R3143	CHIP TYPE CARBON RESISTOR	RN72K1J-392JE	1	435033924R1
R3144	CHIP TYPE CARBON RESISTOR	RN72K1J-101JE	1	435031014R1
R3145	CHIP TYPE CARBON RESISTOR	RN72K1J-392JE	1	435033924R1
R3146	CHIP TYPE CARBON RESISTOR	RN72K1J-390JE	1	435033904R1
R3147	CHIP TYPE CARBON RESISTOR	RN72K1J-000JE	1	435030004R1
R3148	CHIP TYPE CARBON RESISTOR	RN72K1J-390JE	1	435033904R1
R3154	CHIP TYPE CARBON RESISTOR	RN72K1J-390JE	1	435033904R1
R3155	CHIP TYPE CARBON RESISTOR	RN72K1J-390JE	1	435033904R1
R3156	CHIP TYPE CARBON RESISTOR	RN72K1J-390JE	1	435033904R1
R3157	CHIP TYPE CARBON RESISTOR	RN72K1J-000JE	1	435030004R1
R3162	CHIP TYPE CARBON RESISTOR	RN72K1J-390JE	1	435033904R1
R3163	CHIP TYPE CARBON RESISTOR	RN72K1J-220JE	1	435032204R1
R3164	CHIP TYPE CARBON RESISTOR	RN72K1J-472JE	1	435034724R1
R3168	CHIP TYPE CARBON RESISTOR	RN72K1J-220JE	1	435032204R1
R3169	CHIP TYPE CARBON RESISTOR	RN72K1J-220JE	1	435032204R1
R3170	CHIP TYPE CARBON RESISTOR	RN72K1J-391FE	1	435033912R1
R3171	CHIP TYPE CARBON RESISTOR	RN72K1J-222FE	1	435032222R1
R3172	CHIP TYPE CARBON RESISTOR	RN72K1J-392FE	1	435033922R1
R3173	CHIP TYPE CARBON RESISTOR	RN72K1J-390JE	1	435033904R1
R3174	CHIP TYPE CARBON RESISTOR	RN72K1J-390JE	1	435033904R1
R3175	CHIP TYPE CARBON RESISTOR	RN72K1J-472JE	1	435034724R1
R3181	CHIP TYPE CARBON RESISTOR	RN72K1J-470JE	1	435034704R1
R3182	CHIP TYPE CARBON RESISTOR	RN72K1J-472JE	1	435034724R1
R3183	CHIP TYPE CARBON RESISTOR	RN72K1J-470JE	1	435034704R1
R3184	CHIP TYPE CARBON RESISTOR	RN72K1J-470JE	1	435034704R1
R3187	CHIP TYPE CARBON RESISTOR	RN72K1J-472JE	1	435034724R1
R3188	CHIP TYPE CARBON RESISTOR	RN72K1J-103JE	1	435031034R1
R3190	CHIP TYPE CARBON RESISTOR	RN72K1J-103JE	1	435031034R1
R3192	CHIP TYPE CARBON RESISTOR	RN72K1J-472JE	1	435034724R1
R3193	CHIP TYPE CARBON RESISTOR	RN72K1J-472JE	1	435034724R1
R3194	CHIP TYPE CARBON RESISTOR	RN72K1J-472JE	1	435034724R1
R3199	CHIP TYPE CARBON RESISTOR	RN72K1J-102JE	1	435031024R1
R3200	CHIP TYPE CARBON RESISTOR	RN72K1J-680JE	1	435036804R1
R3201	CHIP RESISTOR NETWORK	YCN104-470-JK	1	43464C47004R1
R3201 or	CHIP RESISTOR NETWORK	MNR04MRAPJ470	( 1)	43464747004R2
R3202	CHIP TYPE CARBON RESISTOR	RN72K1J-470JE	1	435034704R1
R3203	CHIP TYPE CARBON RESISTOR	RN72K1J-470JE	1	435034704R1
R3204	CHIP TYPE CARBON RESISTOR	RN72K1J-103JE	1	435031034R1
R3205	CHIP TYPE CARBON RESISTOR	RN72K1J-470JE	1	435034704R1
R3207	CHIP TYPE CARBON RESISTOR	RN72K1J-000JE	1	435030004R1
R3208	CHIP TYPE CARBON RESISTOR	RN72K1J-271JE	1	435032714R1
R3209	CHIP TYPE CARBON RESISTOR	RN72K1J-000JE	1	435030004R1
R3210	CHIP TYPE CARBON RESISTOR	RN72K1J-103JE	1	435031034R1
R3211	CHIP TYPE CARBON RESISTOR	RN72K1J-470JE	1	435034704R1
R3212	CHIP TYPE CARBON RESISTOR	RN72K1J-220JE	1	435032204R1
R3213	CHIP TYPE CARBON RESISTOR	RN72K1J-103JE	1	435031034R1
R3218	CHIP TYPE CARBON RESISTOR	RN72K1J-220JE	1	435032204R1
R3221	CHIP TYPE CARBON RESISTOR	RN72K1J-470JE	1	435034704R1
R3226	CHIP RESISTOR NETWORK	YCN104-470-JK	1	43464C47004R1
R3226 or	CHIP RESISTOR NETWORK	MNR04MRAPJ470	( 1)	43464747004R2
R3234	CHIP TYPE CARBON RESISTOR	RN72K1J-470JE	1	435034704R1
R3244	CHIP TYPE CARBON RESISTOR	RN72K1J-470JE	1	435034704R1
R3247	CHIP TYPE CARBON RESISTOR	RN72K1J-121JE	1	435031214R1
R3251	CHIP TYPE CARBON RESISTOR	RN72K1J-470JE	1	435034704R1
R3257	CHIP TYPE CARBON RESISTOR	RN72K1J-470JE	1	435034704R1
R3260	CHIP TYPE CARBON RESISTOR	RN72K1J-390JE	1	435033904R1
R3262	CHIP TYPE CARBON RESISTOR	RN72K1J-221JE	1	435032214R1
R3265	CHIP TYPE CARBON RESISTOR	RN72K1J-390JE	1	435033904R1
R3268	CHIP TYPE CARBON RESISTOR	RN72K1J-390JE	1	435033904R1
R3271	CHIP TYPE CARBON RESISTOR	RN72K1J-390JE	1	435033904R1
R3272	CHIP TYPE CARBON RESISTOR	RN72K1J-470JE	1	435034704R1
R3274	CHIP TYPE CARBON RESISTOR	RN72K1J-390JE	1	435033904R1
R3275	CHIP TYPE CARBON RESISTOR	RN72K1J-332JE	1	435033324R1
R3277	CHIP TYPE CARBON RESISTOR	RN72K1J-220JE	1	435032204R1
R3281	CHIP TYPE CARBON RESISTOR	RN72K1J-103JE	1	435031034R1
R3284	CHIP TYPE CARBON RESISTOR	RN72K1J-103JE	1	435031034R1
R3285	CHIP TYPE CARBON RESISTOR	RN72K1J-332JE	1	435033324R1

R3286	CHIP TYPE CARBON RESISTOR	RN72K1J-332JE	1	435033324R1
R3289	CHIP TYPE CARBON RESISTOR	RN72K1J-332JE	1	435033324R1
R3290	CHIP TYPE CARBON RESISTOR	RN72K1J-470JE	1	435034704R1
R3291	CHIP RESISTOR NETWORK	YCN104-470-JK	1	43464C47004R1
R3291 or	CHIP RESISTOR NETWORK	MNR04MRAPJ470	(1)	43464747004R2
R3293	CHIP TYPE CARBON RESISTOR	RN72K1J-470JE	1	435034704R1
R3297	CHIP TYPE CARBON RESISTOR	RN72K1J-103JE	1	435031034R1
R3400	CHIP TYPE CARBON RESISTOR	RN72K1J-472JE	1	435034724R1
R3403	CHIP TYPE CARBON RESISTOR	RN72K1J-470JE	1	435034704R1
R3404	CHIP TYPE CARBON RESISTOR	RN72K1J-470JE	1	435034704R1
R3406	CHIP TYPE CARBON RESISTOR	RN72K1J-222JE	1	435032224R1
R3407	CHIP TYPE CARBON RESISTOR	RN72K1J-222JE	1	435032224R1
R3408	CHIP RESISTOR NETWORK	YCN104-221-JK	1	43464C22104R1
R3408 or	CHIP RESISTOR NETWORK	MNR04MRAPJ221	(1)	43464722104R2
R3409	CHIP RESISTOR NETWORK	YCN104-221-JK	1	43464C22104R1
R3409 or	CHIP RESISTOR NETWORK	MNR04MRAPJ221	(1)	43464722104R2
R3411	CHIP RESISTOR NETWORK	YCN104-000-ZK	1	43484C00004R1
R3411 or	CHIP RESISTOR NETWORK	MNR04MRAPJ000	(1)	43464700004R2
R3412	CHIP TYPE CARBON RESISTOR	RN72K1J-472JE	1	435034724R1
R3414	CHIP TYPE CARBON RESISTOR	RN72K1J-103JE	1	435031034R1
R3415	CHIP RESISTOR NETWORK	YCN104-000-ZK	1	43484C00004R1
R3415 or	CHIP RESISTOR NETWORK	MNR04MRAPJ000	(1)	43464700004R2
R3421	CHIP TYPE CARBON RESISTOR	RN72K1J-560JE	1	435035604R1
R3423	CHIP TYPE CARBON RESISTOR	RN72K1J-000JE	1	435030004R1
R3424	CHIP TYPE CARBON RESISTOR	RN72K1J-470JE	1	435034704R1
R3425	CHIP TYPE CARBON RESISTOR	RN72K1J-470JE	1	435034704R1
R3428	CHIP TYPE CARBON RESISTOR	RN72K1J-472JE	1	435034724R1
R3429	CHIP RESISTOR NETWORK	YCN104-470-JK	1	43464C47004R1
R3429 or	CHIP RESISTOR NETWORK	MNR04MRAPJ470	(1)	43464747004R2
R3430	CHIP RESISTOR NETWORK	YCN104-470-JK	1	43464C47004R1
R3430 or	CHIP RESISTOR NETWORK	MNR04MRAPJ470	(1)	43464747004R2
R3432	CHIP TYPE CARBON RESISTOR	RN72K1J-103JE	1	435031034R1
R3433	CHIP TYPE CARBON RESISTOR	RN72K1J-103JE	1	435031034R1
R3434	CHIP TYPE CARBON RESISTOR	RN72K1J-222JE	1	435032224R1
R3435	CHIP TYPE CARBON RESISTOR	RN72K1J-222JE	1	435032224R1
R3436	CHIP TYPE CARBON RESISTOR	RN72K1J-560JE	1	435035604R1
R3437	CHIP TYPE CARBON RESISTOR	RN72K1J-560JE	1	435035604R1
R3438	CHIP TYPE CARBON RESISTOR	RN72K1J-560JE	1	435035604R1
R3439	CHIP TYPE CARBON RESISTOR	RN72K1J-332JE	1	435033324R1
R3440	CHIP TYPE CARBON RESISTOR	RN72K1J-332JE	1	435033324R1
R3441	CHIP RESISTOR NETWORK	YCN104-470-JK	1	43464C47004R1
R3441 or	CHIP RESISTOR NETWORK	MNR04MRAPJ470	(1)	43464747004R2
R3442	CHIP TYPE CARBON RESISTOR	RN72K1J-105JE	1	435031054R1
R3443	CHIP TYPE CARBON RESISTOR	RN72K1J-000JE	1	435030004R1
R3444	CHIP TYPE CARBON RESISTOR	RN72K1J-223JE	1	435032234R1
R3445	CHIP RESISTOR NETWORK	YCN104-470-JK	1	43464C47004R1
R3445 or	CHIP RESISTOR NETWORK	MNR04MRAPJ470	(1)	43464747004R2
R3446	CHIP TYPE CARBON RESISTOR	RN72K1J-102JE	1	435031024R1
R3447	CHIP TYPE CARBON RESISTOR	RN72K1J-560JE	1	435035604R1
R3448	CHIP TYPE CARBON RESISTOR	RN72K1J-330JE	1	435033304R1
R3450	CHIP TYPE CARBON RESISTOR	RN72K1J-560JE	1	435035604R1
R3452	CHIP TYPE CARBON RESISTOR	RN72K1J-470JE	1	435034704R1
R3453	CHIP TYPE CARBON RESISTOR	RN72K1J-121JE	1	435031214R1
R3454	CHIP TYPE CARBON RESISTOR	RN72K1J-470JE	1	435034704R1
R3455	CHIP TYPE CARBON RESISTOR	RN72K1J-121JE	1	435031214R1
R3456	CHIP TYPE CARBON RESISTOR	RN72K1J-470JE	1	435034704R1
R3457	CHIP RESISTOR NETWORK	YCN104-470-JK	1	43464C47004R1
R3457 or	CHIP RESISTOR NETWORK	MNR04MRAPJ470	(1)	43464747004R2
R3462	CHIP TYPE CARBON RESISTOR	RN72K1J-102JE	1	435031024R1
R3464	CHIP TYPE CARBON RESISTOR	RN72K1J-102JE	1	435031024R1
R3465	CHIP TYPE CARBON RESISTOR	RN72K1J-102JE	1	435031024R1
R3466	CHIP TYPE CARBON RESISTOR	RN72K1J-102JE	1	435031024R1
R3469	CHIP TYPE CARBON RESISTOR	RN72K1J-222JE	1	435032224R1
R3470	CHIP TYPE CARBON RESISTOR	RN72K1J-222JE	1	435032224R1
R3473	CHIP TYPE CARBON RESISTOR	RN72K1J-103JE	1	435031034R1
R3474	CHIP TYPE CARBON RESISTOR	RN72K1J-103JE	1	435031034R1
R3481	CHIP TYPE CARBON RESISTOR	RN72K1J-332JE	1	435033324R1
R3484	CHIP TYPE CARBON RESISTOR	RN72K1J-470JE	1	435034704R1

R3485	CHIP TYPE CARBON RESISTOR	RN72K1J-470JE	1	435034704R1
R3488	CHIP TYPE CARBON RESISTOR	RN72K1J-332JE	1	435033324R1
R3491	CHIP TYPE CARBON RESISTOR	RN72K1J-332JE	1	435033324R1
R3494	CHIP RESISTOR NETWORK	YCN104-470-JK	1	43464C47004R1
R3494 or	CHIP RESISTOR NETWORK	MNR04MRAPJ470	(1)	43464747004R2
R3495	CHIP RESISTOR NETWORK	YCN104-470-JK	1	43464C47004R1
R3495 or	CHIP RESISTOR NETWORK	MNR04MRAPJ470	(1)	43464747004R2
R3496	CHIP RESISTOR NETWORK	YCN104-470-JK	1	43464C47004R1
R3496 or	CHIP RESISTOR NETWORK	MNR04MRAPJ470	(1)	43464747004R2
R3497	CHIP RESISTOR NETWORK	YCN104-470-JK	1	43464C47004R1
R3497 or	CHIP RESISTOR NETWORK	MNR04MRAPJ470	(1)	43464747004R2
R3500	CHIP TYPE CARBON RESISTOR	RN72K1J-470JE	1	435034704R1
R3501	CHIP TYPE CARBON RESISTOR	RN72K1J-470JE	1	435034704R1
R3502	CHIP TYPE CARBON RESISTOR	RN72K1J-470JE	1	435034704R1
R3503	CHIP TYPE CARBON RESISTOR	RN72K1J-470JE	1	435034704R1
R3504	CHIP TYPE CARBON RESISTOR	RN72K1J-470JE	1	435034704R1
R3505	CHIP TYPE CARBON RESISTOR	RN72K1J-470JE	1	435034704R1
R3506	CHIP TYPE CARBON RESISTOR	RN72K1J-000JE	1	435030004R1
R3507	CHIP TYPE CARBON RESISTOR	RN72K1J-470JE	1	435034704R1
R3508	CHIP TYPE CARBON RESISTOR	RN72K1J-220JE	1	435032204R1
R3509	CHIP TYPE CARBON RESISTOR	RN72K1J-220JE	1	435032204R1
R7000	CHIP TYPE CARBON RESISTOR	RN72K1J-472JE	1	435034724R1
R7002	CHIP TYPE CARBON RESISTOR	RN72K1J-103JE	1	435031034R1
R7003	CHIP TYPE CARBON RESISTOR	RN72K1J-103JE	1	435031034R1
R7004	CHIP TYPE CARBON RESISTOR	RN72K1J-472JE	1	435034724R1
R7005	CHIP TYPE CARBON RESISTOR	RN72K1J-223JE	1	435032234R1
R7006	CHIP TYPE CARBON RESISTOR	RN72K1J-223JE	1	435032234R1
R7007	CHIP TYPE CARBON RESISTOR	RN72K1J-105JE	1	435031054R1
R7008	CHIP TYPE CARBON RESISTOR	RN72K1J-473JE	1	435034734R1
R7009	CHIP TYPE CARBON RESISTOR	RN72K1J-105JE	1	435031054R1
R7010	CHIP TYPE CARBON RESISTOR	RN72K1J-470JE	1	435034704R1
R7011	CHIP TYPE CARBON RESISTOR	RN72K1J-103JE	1	435031034R1
R7012	CHIP TYPE CARBON RESISTOR	RN72K1J-103JE	1	435031034R1
R7013	CHIP TYPE CARBON RESISTOR	RN72K1J-103JE	1	435031034R1
R7014	CHIP TYPE CARBON RESISTOR	RN72K1J-473JE	1	435034734R1
R7015	CHIP TYPE CARBON RESISTOR	RN72K1J-473JE	1	435034734R1
R7016	CHIP TYPE CARBON RESISTOR	RN72K1J-473JE	1	435034734R1
R7017	CHIP TYPE CARBON RESISTOR	RN72K1J-472JE	1	435034724R1
R7018	CHIP TYPE CARBON RESISTOR	RN72K1J-472JE	1	435034724R1
R7019	CHIP TYPE CARBON RESISTOR	RN72K1J-472JE	1	435034724R1
R7020	CHIP TYPE CARBON RESISTOR	RN72K1J-472JE	1	435034724R1
R7021	CHIP TYPE CARBON RESISTOR	RN72K1J-221JE	1	435032214R1
R7023	CHIP TYPE CARBON RESISTOR	RN72K1J-221JE	1	435032214R1
R7024	CHIP TYPE CARBON RESISTOR	RN72K1J-221JE	1	435032214R1
R7025	CHIP TYPE CARBON RESISTOR	RN72K1J-224JE	1	435032244R1
R7026	CHIP TYPE CARBON RESISTOR	RN72K1J-224JE	1	435032244R1
R7027	CHIP TYPE CARBON RESISTOR	RN72K1J-103JE	1	435031034R1
R7028	CHIP TYPE CARBON RESISTOR	RN72K1J-000JE	1	435030004R1
R7029	CHIP TYPE CARBON RESISTOR	RN72K1J-102JE	1	435031024R1
R7030	CHIP TYPE CARBON RESISTOR	RN72K1J-221JE	1	435032214R1
R7031	CHIP RESISTOR NETWORK	YCN104-221-JK	1	43464C22104R1
R7031 or	CHIP RESISTOR NETWORK	MNR04MRAPJ221	(1)	43464722104R2
R7032	CHIP TYPE CARBON RESISTOR	RN72K1J-470JE	1	435034704R1
R7033	CHIP RESISTOR NETWORK	YCN104-470-JK	1	43464C47004R1
R7033 or	CHIP RESISTOR NETWORK	MNR04MRAPJ470	(1)	43464747004R2
R7034	CHIP TYPE CARBON RESISTOR	RN72K1J-221JE	1	435032214R1
R7035	CHIP TYPE CARBON RESISTOR	RN72K1J-470JE	1	435034704R1
R7036	CHIP TYPE CARBON RESISTOR	RN72K1J-102JE	1	435031024R1
R7037	CHIP TYPE CARBON RESISTOR	RN72K1J-102JE	1	435031024R1
R7038	CHIP TYPE CARBON RESISTOR	RN72K1J-102JE	1	435031024R1
R7039	CHIP TYPE CARBON RESISTOR	RN72K1J-222JE	1	435032224R1
R7040	CHIP TYPE CARBON RESISTOR	RN72K1J-222JE	1	435032224R1
R7041	CHIP TYPE CARBON RESISTOR	RN72K1J-222JE	1	435032224R1
R7042	CHIP RESISTOR NETWORK	YCN104-221-JK	1	43464C22104R1
R7042 or	CHIP RESISTOR NETWORK	MNR04MRAPJ221	(1)	43464722104R2
R7044	CHIP TYPE CARBON RESISTOR	RN72K1J-470JE	1	435034704R1
R7046	CHIP TYPE CARBON RESISTOR	RN72K1J-221JE	1	435032214R1
R7048	CHIP TYPE CARBON RESISTOR	RN72K1J-221JE	1	435032214R1

R7049	CHIP TYPE CARBON RESISTOR	RN72K1J-470JE	1	435034704R1
R7050	CHIP TYPE CARBON RESISTOR	RN72K1J-103JE	1	435031034R1
R7051	CHIP TYPE CARBON RESISTOR	RN72K1J-332JE	1	435033324R1
R7052	CHIP TYPE CARBON RESISTOR	RN72K1J-221JE	1	435032214R1
R7053	CHIP TYPE CARBON RESISTOR	RN72K1J-221JE	1	435032214R1
R7054	CHIP TYPE CARBON RESISTOR	RN72K1J-102JE	1	435031024R1
R7055	CHIP TYPE CARBON RESISTOR	RN72K1J-102JE	1	435031024R1
R7056	CHIP TYPE CARBON RESISTOR	RN72K1J-221JE	1	435032214R1
R7057	CHIP TYPE CARBON RESISTOR	RN72K1J-105JE	1	435031054R1
R7058	CHIP TYPE CARBON RESISTOR	RN72K1J-103JE	1	435031034R1
R7059	CHIP TYPE CARBON RESISTOR	RN72K1J-224JE	1	435032244R1
R7060	CHIP TYPE CARBON RESISTOR	RN72K1J-470JE	1	435034704R1
R7061	CHIP TYPE CARBON RESISTOR	RN72K1J-221JE	1	435032214R1
R7062	CHIP TYPE CARBON RESISTOR	RN72K1J-221JE	1	435032214R1
R7063	CHIP TYPE CARBON RESISTOR	RN72K1J-103JE	1	435031034R1
R7064	CHIP TYPE CARBON RESISTOR	RN72K1J-470JE	1	435034704R1
R7065	CHIP TYPE CARBON RESISTOR	RN72K1J-473JE	1	435034734R1
R7066	CHIP TYPE CARBON RESISTOR	RN72K1J-221JE	1	435032214R1
R7067	CHIP TYPE CARBON RESISTOR	RN72K1J-000JE	1	435030004R1
R7068	CHIP TYPE CARBON RESISTOR	RN72K1J-000JE	1	435030004R1
R7069	CHIP RESISTOR NETWORK	YCN104-470-JK	1	43464C47004R1
R7069 or	CHIP RESISTOR NETWORK	MNR04MRAPJ470	(1)	43464747004R2
R7070	CHIP TYPE CARBON RESISTOR	RN72K1J-470JE	1	435034704R1
R7072	CHIP TYPE CARBON RESISTOR	RN72K1J-470JE	1	435034704R1
R7073	CHIP TYPE CARBON RESISTOR	RN72K1J-102JE	1	435031024R1
R7075	CHIP RESISTOR NETWORK	YCN104-470-JK	1	43464C47004R1
R7075 or	CHIP RESISTOR NETWORK	MNR04MRAPJ470	(1)	43464747004R2
R7076	CHIP TYPE CARBON RESISTOR	RN72K1J-221JE	1	435032214R1
R7079	CHIP RESISTOR NETWORK	YCN104-221-JK	1	43464C22104R1
R7079 or	CHIP RESISTOR NETWORK	MNR04MRAPJ221	(1)	43464722104R2
R7081	CHIP TYPE CARBON RESISTOR	RN72K1J-221JE	1	435032214R1
R7084	CHIP TYPE CARBON RESISTOR	RN72K1J-470JE	1	435034704R1
R7087	CHIP TYPE CARBON RESISTOR	RN72K1J-273JE	1	435032734R1
R7091	CHIP TYPE CARBON RESISTOR	RN72K1J-221JE	1	435032214R1
R7092	CHIP TYPE CARBON RESISTOR	RN72K1J-470JE	1	435034704R1
R7093	CHIP TYPE CARBON RESISTOR	RN72K1J-472JE	1	435034724R1
R7094	CHIP TYPE CARBON RESISTOR	RN72K1J-472JE	1	435034724R1
R7095	CHIP RESISTOR NETWORK	YCN104-221-JK	1	43464C22104R1
R7095 or	CHIP RESISTOR NETWORK	MNR04MRAPJ221	(1)	43464722104R2
R7096	CHIP TYPE CARBON RESISTOR	RN72K1J-221JE	1	435032214R1
R7098	CHIP RESISTOR NETWORK	YCN104-221-JK	1	43464C22104R1
R7098 or	CHIP RESISTOR NETWORK	MNR04MRAPJ221	(1)	43464722104R2
R7099	CHIP RESISTOR NETWORK	YCN104-470-JK	1	43464C47004R1
R7099 or	CHIP RESISTOR NETWORK	MNR04MRAPJ470	(1)	43464747004R2
R7100	CHIP TYPE CARBON RESISTOR	RN72K1J-104JE	1	435031044R1
R7101	CHIP TYPE CARBON RESISTOR	RN72K1J-221JE	1	435032214R1
R7103	CHIP TYPE CARBON RESISTOR	RN72K1J-221JE	1	435032214R1
R7104	CHIP TYPE CARBON RESISTOR	RN72K1J-470JE	1	435034704R1
R7105	CHIP RESISTOR NETWORK	YCN104-470-JK	1	43464C47004R1
R7105 or	CHIP RESISTOR NETWORK	MNR04MRAPJ470	(1)	43464747004R2
R7106	CHIP TYPE CARBON RESISTOR	RN72K1J-101JE	1	435031014R1
R7107	CHIP TYPE CARBON RESISTOR	RN72K1J-101JE	1	435031014R1
R7108	CHIP RESISTOR NETWORK	YCN104-223-JK	1	43464C22304R1
R7108 or	CHIP RESISTOR NETWORK	MNR04MRAPJ223	(1)	43464722304R2
R7110	CHIP TYPE CARBON RESISTOR	RN72K1J-103JE	1	435031034R1
R7111	CHIP TYPE CARBON RESISTOR	RN72K1J-104JE	1	435031044R1
R7114	CHIP TYPE CARBON RESISTOR	RN72K1J-221JE	1	435032214R1
R7116	CHIP TYPE CARBON RESISTOR	RN72K1J-105JE	1	435031054R1
R7118	CHIP TYPE CARBON RESISTOR	RN72K1J-105JE	1	435031054R1
R7120	CHIP TYPE CARBON RESISTOR	RN72K1J-103JE	1	435031034R1
R7121	CHIP TYPE CARBON RESISTOR	RN72K1J-105JE	1	435031054R1
R7122	CHIP TYPE CARBON RESISTOR	RN72K1J-105JE	1	435031054R1
R7123	CHIP RESISTOR NETWORK	YCN104-221-JK	1	43464C22104R1
R7123 or	CHIP RESISTOR NETWORK	MNR04MRAPJ221	(1)	43464722104R2
R7125	CHIP TYPE CARBON RESISTOR	RN72K1J-473JE	1	435034734R1
R7126	CHIP TYPE CARBON RESISTOR	RN72K1J-221JE	1	435032214R1
R7131	CHIP TYPE CARBON RESISTOR	RN72K1J-221JE	1	435032214R1
R7132	CHIP TYPE CARBON RESISTOR	RN72K1J-470JE	1	435034704R1







R8310	CHIP TYPE CARBON RESISTOR	RN72K1J-562JE	1	435035624R1
R8311	CHIP TYPE CARBON RESISTOR	RN72K1J-000JE	1	435030004R1
R8312	CHIP TYPE CARBON RESISTOR	RN72K1J-100JE	1	435031004R1
R8314	CHIP TYPE CARBON RESISTOR	RN72K1J-000JE	1	435030004R1
R8335	CHIP TYPE CARBON RESISTOR	RN72K1J-330JE	1	435033304R1
R8336	CHIP TYPE CARBON RESISTOR	RN72K1J-330JE	1	435033304R1
R8340	CHIP TYPE CARBON RESISTOR	RN72K1J-222JE	1	435032224R1
R8341	CHIP TYPE CARBON RESISTOR	RN72K1J-222JE	1	435032224R1
R8342	CHIP RESISTOR NETWORK	YCN104-220-JK	1	43464C22004R1
R8342 or	CHIP RESISTOR NETWORK	MNR04MRAPJ220	(1)	43464722004R2
R8343	CHIP RESISTOR NETWORK	YCN104-220-JK	1	43464C22004R1
R8343 or	CHIP RESISTOR NETWORK	MNR04MRAPJ220	(1)	43464722004R2
R8346	CHIP TYPE CARBON RESISTOR	RN72K1J-220JE	1	435032204R1
R8350	CHIP TYPE CARBON RESISTOR	RN72K1J-100JE	1	435031004R1
R8353	CHIP TYPE CARBON RESISTOR	RN72K1J-100JE	1	435031004R1
R8354	CHIP TYPE CARBON RESISTOR	RN72K1J-100JE	1	435031004R1
R8355	CHIP TYPE CARBON RESISTOR	RN72K1J-100JE	1	435031004R1
R8356	CHIP TYPE CARBON RESISTOR	RN72K1J-473JE	1	435034734R1
R8357	CHIP TYPE CARBON RESISTOR	RN72K1J-101JE	1	435031014R1
R8358	CHIP TYPE CARBON RESISTOR	RN72K1J-102JE	1	435031024R1
R8359	CHIP TYPE CARBON RESISTOR	RN72K1J-124JE	1	435031244R1
R8361	CHIP TYPE CARBON RESISTOR	RN72K1J-473JE	1	435034734R1
R8362	CHIP TYPE CARBON RESISTOR	RN72K1J-100JE	1	435031004R1
R8363	CHIP RESISTOR NETWORK	YCN104-330-JK	1	43464C33004R1
R8363 or	CHIP RESISTOR NETWORK	MNR04MRAPJ330	(1)	43464733004R2
R8364	CHIP TYPE CARBON RESISTOR	RN72K1J-330JE	1	435033304R1
R8365	CHIP TYPE CARBON RESISTOR	RN72K1J-103JE	1	435031034R1
R8366	CHIP TYPE CARBON RESISTOR	RN72K1J-330JE	1	435033304R1
R8367	CHIP TYPE CARBON RESISTOR	RN72K1J-330JE	1	435033304R1
R8368	CHIP TYPE CARBON RESISTOR	RN72K1J-330JE	1	435033304R1
R8369	CHIP TYPE CARBON RESISTOR	RN72K1J-100JE	1	435031004R1
R8370	CHIP TYPE CARBON RESISTOR	RN72K1J-000JE	1	435030004R1
R8371	CHIP TYPE CARBON RESISTOR	RN72K1J-100JE	1	435031004R1
R8372	CHIP TYPE CARBON RESISTOR	RN72K1J-100JE	1	435031004R1
R8373	CHIP TYPE CARBON RESISTOR	RN72K1J-100JE	1	435031004R1
R8374	CHIP TYPE CARBON RESISTOR	RN72K1J-100JE	1	435031004R1
R8603	CHIP TYPE CARBON RESISTOR	RN72K1J-473JE	1	435034734R1
R8604	CHIP TYPE CARBON RESISTOR	RN72K1J-473JE	1	435034734R1
R8605	CHIP TYPE CARBON RESISTOR	RN72K1J-100JE	1	435031004R1
R8613	CHIP TYPE CARBON RESISTOR	RN72K1J-473JE	1	435034734R1
R8614	CHIP TYPE CARBON RESISTOR	RN72K1J-473JE	1	435034734R1
R8615	CHIP TYPE CARBON RESISTOR	RN72K1J-000JE	1	435030004R1
R8623	CHIP TYPE CARBON RESISTOR	RN72K1J-473JE	1	435034734R1
R8624	CHIP TYPE CARBON RESISTOR	RN72K1J-473JE	1	435034734R1
R8625	CHIP TYPE CARBON RESISTOR	RN72K1J-000JE	1	435030004R1
R8633	CHIP TYPE CARBON RESISTOR	RN72K1J-473JE	1	435034734R1
R8634	CHIP TYPE CARBON RESISTOR	RN72K1J-473JE	1	435034734R1
R8635	CHIP TYPE CARBON RESISTOR	RN72K1J-000JE	1	435030004R1
R8643	CHIP TYPE CARBON RESISTOR	RN72K1J-473JE	1	435034734R1
R8644	CHIP TYPE CARBON RESISTOR	RN72K1J-473JE	1	435034734R1
R8645	CHIP TYPE CARBON RESISTOR	RN72K1J-100JE	1	435031004R1
R8653	CHIP TYPE CARBON RESISTOR	RN72K1J-473JE	1	435034734R1
R8654	CHIP TYPE CARBON RESISTOR	RN72K1J-473JE	1	435034734R1
R8655	CHIP TYPE CARBON RESISTOR	RN72K1J-100JE	1	435031004R1
R8663	CHIP TYPE CARBON RESISTOR	RN72K1J-473JE	1	435034734R1
R8664	CHIP TYPE CARBON RESISTOR	RN72K1J-473JE	1	435034734R1
R8665	CHIP TYPE CARBON RESISTOR	RN72K1J-100JE	1	435031004R1
R8700	CHIP TYPE CARBON RESISTOR	RN72K1J-103JE	1	435031034R1
R8702	CHIP TYPE CARBON RESISTOR	RN72K1J-000JE	1	435030004R1
R8703	CHIP RESISTOR NETWORK	YCN104-103-JK	1	43464C10304R1
R8703 or	CHIP RESISTOR NETWORK	MNR04MRAPJ103	(1)	43464710304R2
R8704	CHIP TYPE CARBON RESISTOR	RN72K1J-103JE	1	435031034R1
R8705	CHIP TYPE CARBON RESISTOR	RN72K1J-102JE	1	435031024R1
R8706	CHIP TYPE CARBON RESISTOR	RN72K1J-103JE	1	435031034R1
R8707	CHIP TYPE CARBON RESISTOR	RN72K1J-103JE	1	435031034R1
R8708	CHIP RESISTOR NETWORK	YCN104-101-JK	1	43464C10104R1
R8708 or	CHIP RESISTOR NETWORK	MNR04MRAPJ101	(1)	43464710104R2
R8709	CHIP TYPE CARBON RESISTOR	RN72K1J-470JE	1	435034704R1

R8710	CHIP TYPE CARBON RESISTOR	RN72K1J-104JE	1	435031044R1
R8711	CHIP TYPE CARBON RESISTOR	RN72K1J-332JE	1	435033324R1
R8712	CHIP TYPE CARBON RESISTOR	RN72K1J-470JE	1	435034704R1
R8713	CHIP TYPE CARBON RESISTOR	RN72K1J-101JE	1	435031014R1
R8714	CHIP TYPE CARBON RESISTOR	RN72K1J-682FE	1	435036822R1
R8715	CHIP TYPE CARBON RESISTOR	RN72K1J-332FE	1	435033322R1
R8716	CHIP TYPE CARBON RESISTOR	RN72K1J-222JE	1	435032224R1
R8717	CHIP TYPE CARBON RESISTOR	RN72K1J-222JE	1	435032224R1
R8718	CHIP TYPE CARBON RESISTOR	RN72K1J-222JE	1	435032224R1
R8719	CHIP TYPE CARBON RESISTOR	RN72K1J-222JE	1	435032224R1
R8720	CHIP TYPE CARBON RESISTOR	RN72K1J-103JE	1	435031034R1
R8721	CHIP TYPE CARBON RESISTOR	RN72K1J-103FE	1	435031032R1
R8724	CHIP TYPE CARBON RESISTOR	RN72K1J-473JE	1	435034734R1
R8725	CHIP TYPE CARBON RESISTOR	RN72K1J-103JE	1	435031034R1
R8727	CHIP TYPE CARBON RESISTOR	RN72K1J-221JE	1	435032214R1
R8729	CHIP TYPE CARBON RESISTOR	RN72K1J-470JE	1	435034704R1
R8730	CHIP TYPE CARBON RESISTOR	RN72K1J-470JE	1	435034704R1
R8731	CHIP RESISTOR NETWORK	YCN104-103-JK	1	43464C10304R1
R8731 or	CHIP RESISTOR NETWORK	MNR04MRAPJ103	( 1)	43464710304R2
R8732	CHIP TYPE CARBON RESISTOR	RN72K1J-221JE	1	435032214R1
R8733	CHIP TYPE CARBON RESISTOR	RN72K1J-105JE	1	435031054R1
R8734	CHIP TYPE CARBON RESISTOR	RN72K1J-470JE	1	435034704R1
R8735	CHIP TYPE CARBON RESISTOR	RN72K1J-221JE	1	435032214R1
R8736	CHIP TYPE CARBON RESISTOR	RN72K1J-102JE	1	435031024R1
R8738	CHIP TYPE CARBON RESISTOR	RN72K1J-103JE	1	435031034R1
R8739	CHIP TYPE CARBON RESISTOR	RN72K1J-102JE	1	435031024R1
R8740	CHIP TYPE CARBON RESISTOR	RN72K1J-103JE	1	435031034R1
R8741	CHIP TYPE CARBON RESISTOR	RN72K1J-102JE	1	435031024R1
R8742	CHIP TYPE CARBON RESISTOR	RN72K1J-103JE	1	435031034R1
R8743	CHIP TYPE CARBON RESISTOR	RN72K1J-103JE	1	435031034R1
R8744	CHIP TYPE CARBON RESISTOR	RN72K1J-103FE	1	435031032R1
R8745	CHIP TYPE CARBON RESISTOR	RN72K1J-103JE	1	435031034R1
R8746	CHIP TYPE CARBON RESISTOR	RN72K1J-470JE	1	435034704R1
R8753	CHIP TYPE CARBON RESISTOR	RN72K1J-103JE	1	435031034R1
R8754	CHIP TYPE CARBON RESISTOR	RN72K1J-047JE	1	435030474R1
R8755	CHIP TYPE CARBON RESISTOR	RN72K1J-103JE	1	435031034R1
R8756	CHIP TYPE CARBON RESISTOR	RN72K1J-103JE	1	435031034R1
R8757	CHIP TYPE CARBON RESISTOR	RN72K1J-333JE	1	435033334R1
R8790	CHIP TYPE CARBON RESISTOR	RN72K1J-470JE	1	435034704R1
R8791	CHIP TYPE CARBON RESISTOR	RN72K1J-470JE	1	435034704R1
R8792	CHIP TYPE CARBON RESISTOR	RN72K1J-103JE	1	435031034R1
R8793	CHIP TYPE CARBON RESISTOR	RN72K1J-473JE	1	435034734R1
R8794	CHIP TYPE CARBON RESISTOR	RN72K1J-104JE	1	435031044R1
R8795	CHIP TYPE CARBON RESISTOR	RN72K1J-104JE	1	435031044R1
R8796	CHIP TYPE CARBON RESISTOR	RN72K1J-473JE	1	435034734R1
R8797	CHIP TYPE CARBON RESISTOR	RN72K1J-103JE	1	435031034R1
R8798	CHIP TYPE CARBON RESISTOR	RN72K1J-104JE	1	435031044R1
R8799	CHIP TYPE CARBON RESISTOR	RN72K1J-472JE	1	435034724R1
R8800	CHIP TYPE CARBON RESISTOR	RN72K1J-473JE	1	435034734R1
R8931	CHIP TYPE CARBON RESISTOR	RN72K1J-102JE	1	435031024R1
R8932	CHIP TYPE CARBON RESISTOR	RN72K1J-104JE	1	435031044R1
R8933	CHIP TYPE CARBON RESISTOR	RN72K1J-332JE	1	435033324R1
R8934	CHIP TYPE CARBON RESISTOR	RN72K1J-272FE	1	435032722R1
R8935	CHIP TYPE CARBON RESISTOR	RN72K1J-222FE	1	435032222R1
R8936	CHIP TYPE CARBON RESISTOR	RN72K1J-103FE	1	435031032R1
R8942	CHIP TYPE CARBON RESISTOR	RN72K1J-473JE	1	435034734R1
R8943	CHIP TYPE CARBON RESISTOR	RN72K1J-472JE	1	435034724R1
R8944	CHIP TYPE CARBON RESISTOR	RN72K1J-103FE	1	435031032R1
R8946	CHIP TYPE CARBON RESISTOR	RN72K1J-103FE	1	435031032R1
R8952	CHIP TYPE CARBON RESISTOR	RN72K1J-473JE	1	435034734R1
R8953	CHIP TYPE CARBON RESISTOR	RN72K1J-682JE	1	435036824R1
R8954	CHIP TYPE CARBON RESISTOR	RN72K1J-333FE	1	435033332R1
R8955	CHIP TYPE CARBON RESISTOR	RN72K1J-124FE	1	435031242R1
R8956	CHIP TYPE CARBON RESISTOR	RN72K1J-103FE	1	435031032R1
R8961	CHIP TYPE CARBON RESISTOR	RN72K1J-104JE	1	435031044R1
R8962	CHIP TYPE CARBON RESISTOR	RN72K1J-104JE	1	435031044R1
R8964	CHIP TYPE CARBON RESISTOR	RN72K1J-473FE	1	435034732R1
R8965	CHIP TYPE CARBON RESISTOR	RN72K1J-225JE	1	435032254R1

R8966	CHIP TYPE CARBON RESISTOR	RN72K1J-103FE	1	435031032R1	
R8970	CHIP TYPE CARBON RESISTOR	RN72K1J-472JE	1	435034724R1	
R8971	CHIP TYPE CARBON RESISTOR	RN72K1J-472JE	1	435034724R1	
R8982	CHIP TYPE CARBON RESISTOR	RN72K1J-104JE	1	435031044R1	
R8983	CHIP TYPE CARBON RESISTOR	RN72K1J-473JE	1	435034734R1	
<b>[SW TRM]</b>					
P2800B	SOCKET	IMSA-9618S-13A	1	25053338R2	
P3100	SOCKET	UJA01SB4090-72R	1	25053533R2	N
P3102A	PLUG	NPLG-5P918	1	25055965R2	
P3103A	SOCKET	NSCT-9P2472	1	25052575R2	
P3104	SOCKET	29-01000PH53-1	1	25053526R3	
P501B	PLUG	NPLG-3P916	1	25055963R2	
P701A	SOCKET	IMSA-9618S-23A	1	25053348R2	
P751A	SOCKET	NSCT-9P2472	1	25052575R2	
P8001	SOCKET	51U019S-3HFDN-BD-SM	1	25053549R3	N
P8001 or	SOCKET	HDMI(47266-4101)	(1)	25053389R3	
P8001 or	SOCKET	TCX3423-311387	(1)	25060513R3	
P8002B	PLUG(B to B)	IMSA-9850B-26Y	1	25056208R2	N
P8003B	PLUG(B to B)	IMSA-9850B-24Y	1	25056207R2	
P801	PLUG	NPLG-2P915	1	25055962R2	
P801B	PLUG	NPLG-9P922	1	25055969R2	
P8021	SOCKET	51U019S-3HFDN-BD-SM	1	25053549R3	
P8021 or	SOCKET	HDMI(47266-4101)	(1)	25053389R3	
P8021 or	SOCKET	TCX3423-311387	(1)	25060513R3	
P8104	SOCKET	NSCT-8P2471	1	25052574R2	
P8601	SOCKET	51U019S-3HFDN-BD-SM	1	25053549R3	
P8601 or	SOCKET	HDMI(47266-4101)	(1)	25053389R3	
P8601 or	SOCKET	TCX3423-311387	(1)	25060513R3	
P8611	SOCKET	51U019S-3HFDN-BD-SM	1	25053549R3	N
P8611 or	SOCKET	HDMI(47266-4101)	(1)	25053389R3	
P8611 or	SOCKET	TCX3423-311387	(1)	25060513R3	
P8621	SOCKET	51U019S-3HFDN-BD-SM	1	25053549R3	N
P8621 or	SOCKET	HDMI(47266-4101)	(1)	25053389R3	
P8621 or	SOCKET	TCX3423-311387	(1)	25060513R3	
P8631	SOCKET	51U019S-3HFDN-BD-SM	1	25053549R3	N
P8631 or	SOCKET	HDMI(47266-4101)	(1)	25053389R3	
P8631 or	SOCKET	TCX3423-311387	(1)	25060513R3	
P8641	SOCKET	51U019S-3HFDN-BD-SM	1	25053549R3	N
P8641 or	SOCKET	HDMI(47266-4101)	(1)	25053389R3	
P8641 or	SOCKET	TCX3423-311387	(1)	25060513R3	
P8651	SOCKET	51U019S-3HFDN-BD-SM	1	25053549R3	N
P8651 or	SOCKET	HDMI(47266-4101)	(1)	25053389R3	
P8651 or	SOCKET	TCX3423-311387	(1)	25060513R3	
P8661	SOCKET	51U019S-3HFDN-BD-SM	1	25053549R3	N
P8661 or	SOCKET	HDMI(47266-4101)	(1)	25053389R3	
P8661 or	SOCKET	TCX3423-311387	(1)	25060513R3	
P8671	SOCKET	51U019S-3HFDN-BD-SM	1	25053549R3	
P8671 or	SOCKET	HDMI(47266-4101)	(1)	25053389R3	
P8671 or	SOCKET	TCX3423-311387	(1)	25060513R3	
P8710	PLUG	NPLG-2P915	1	25055962R2	
P9011B	PLUG	NPLG-5P918	1	25055965R2	

U006

BAHDM-1770-1A

: NSP

CIRCUIT NO	PART NAME	DESCRIPTION	Q'TY	PART NO. (SN)	REMARKS
<b>[SEMI CONDUCTOR]</b>					
Q8500	HYBRID IC	PCA9515BDGKR	1	22242895R2	
<b>[TRANS COIL]</b>					
L8500	CORE	BLM15PX181SN1D	1	2350033R1	
<b>[CAPACITOR]</b>					
C794	CHIP TYPE CERAMIC CAPACITOR	CK725B1H-103K0	1	332031035R1	
C795	CHIP TYPE CERAMIC CAPACITOR	CK725B1H-103K0	1	332031035R1	
C796	CHIP TYPE CERAMIC CAPACITOR	CK725B1H-103K0	1	332031035R1	
C799	CHIP TYPE CERAMIC CAPACITOR	CK732B16V-106K	1	332071065R2	
C8501	CHIP TYPE CERAMIC CAPACITOR	CK725B1H-102K0	1	332031025R1	

C8502	CHIP TYPE CERAMIC CAPACITOR	CK725B1H-102K0	1	332031025R1
C8503	CHIP TYPE CERAMIC CAPACITOR	CK725B1C-104K0	1	332011045R1
C8504	CHIP TYPE CERAMIC CAPACITOR	CK732B16V-106K	1	332071065R2
<b>[RESISTOR]</b>				
R8503	CHIP TYPE CARBON RESISTOR	RN72K1J-473JE	1	435034734R1
R8504	CHIP TYPE CARBON RESISTOR	RN72K1J-473JE	1	435034734R1
R8505	CHIP TYPE CARBON RESISTOR	RN72K1J-472JE	1	435034724R1
R8506	CHIP TYPE CARBON RESISTOR	RN72K1J-472JE	1	435034724R1
R8507	CHIP TYPE CARBON RESISTOR	RN72K1J-473JE	1	435034734R1
<b>[SW TRM]</b>				
P3102B	PLUG	NPLG-5P918	1	25055965R2
P791A	SOCKET	DF40HC(2.5)-30DS-0.4V(70)	1	25053514R2
P8500	SOCKET	TCX3255-611187	1	25053413R3
P8501	SOCKET	TCX3423-311387	1	25060513R3