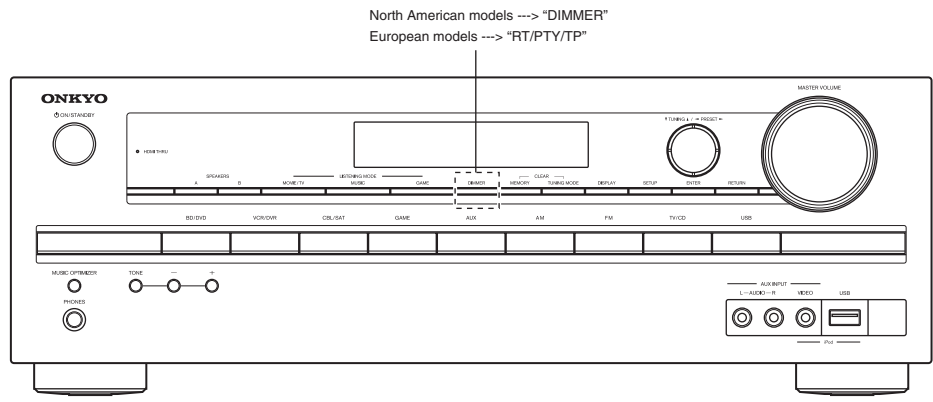


# ONKYO® SERVICE MANUAL

## AV RECEIVER MODEL TX-SR309(B)/(S)(Mark2)




RC-799M

### Black and Silver models

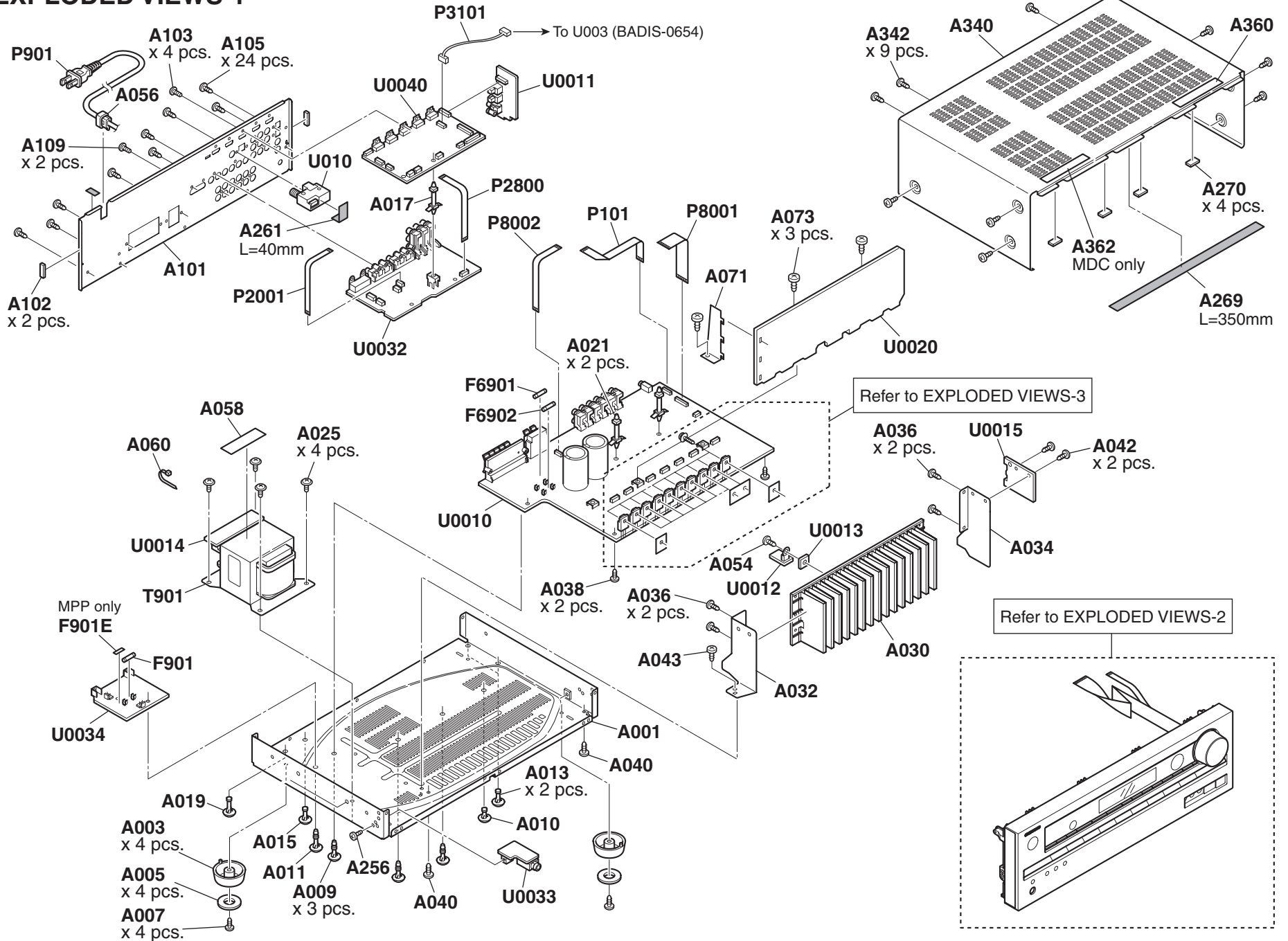
B MDC	120V AC, 60Hz
B MPP, S MPP	230V AC, 50Hz

**Note :**  
 "Mark 2" is just an internal name.  
 End-users do not know whether their units are original or mark 2.  
 You need to check which model you are repairing to use correct documents.  
 For further information, see Service Note.

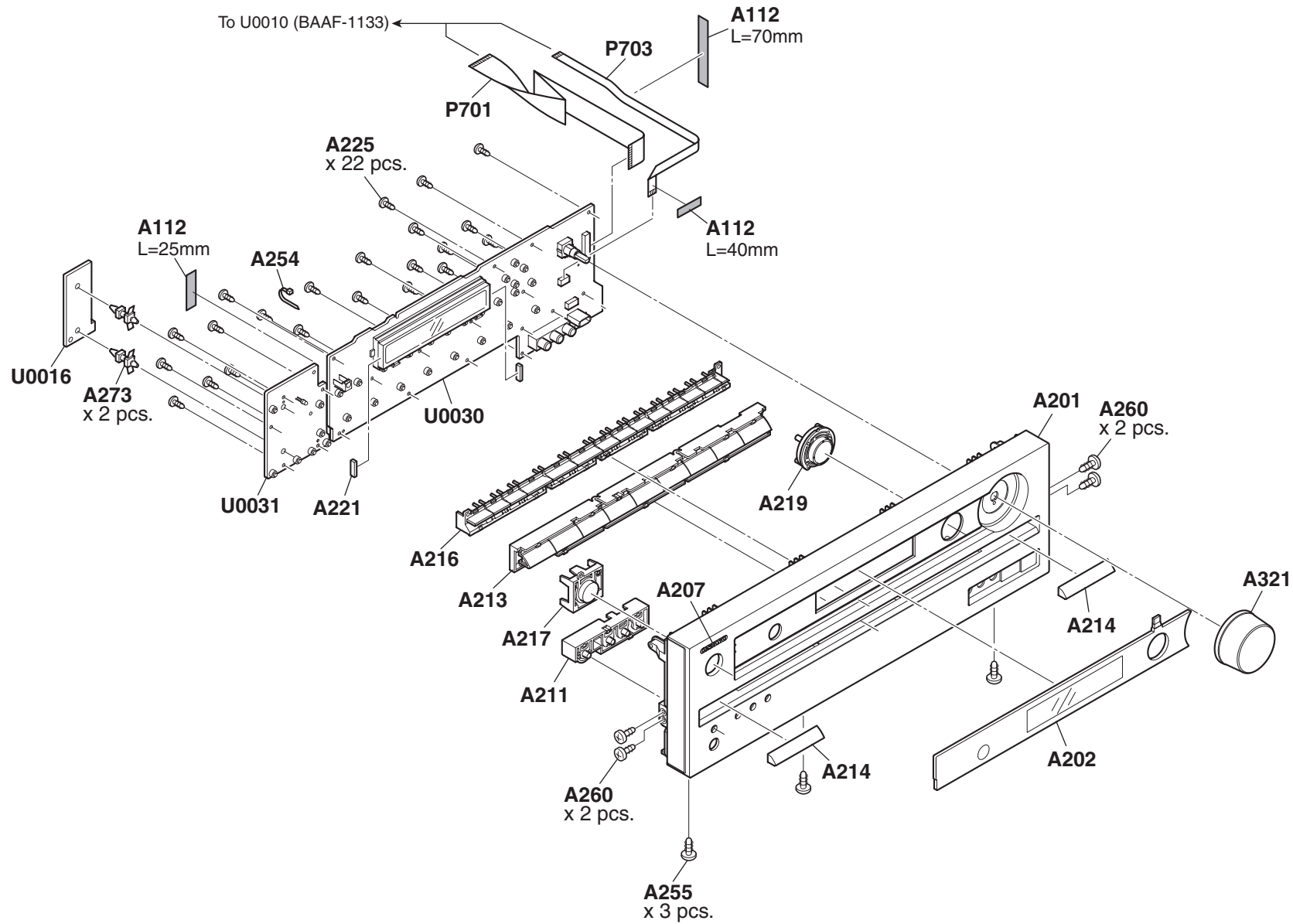
### SAFETY-RELATED COMPONENT WARNING!!

COMPONENTS IDENTIFIED BY MARK  ON THE SCHEMATIC DIAGRAM AND IN THE PARTS LIST ARE CRITICAL FOR RISK OF FIRE AND ELECTRIC SHOCK. REPLACE THESE COMPONENTS WITH ONKYO PARTS WHOSE PART NUMBERS APPEAR AS SHOWN IN THIS MANUAL.  
 MAKE LEAKAGE-CURRENT OR RESISTANCE MEASUREMENTS TO DETERMINE THAT EXPOSED PARTS ARE ACCEPTABLY INSULATED FROM THE SUPPLY CIRCUIT BEFORE RETURNING THE APPLIANCE TO THE CUSTOMER.

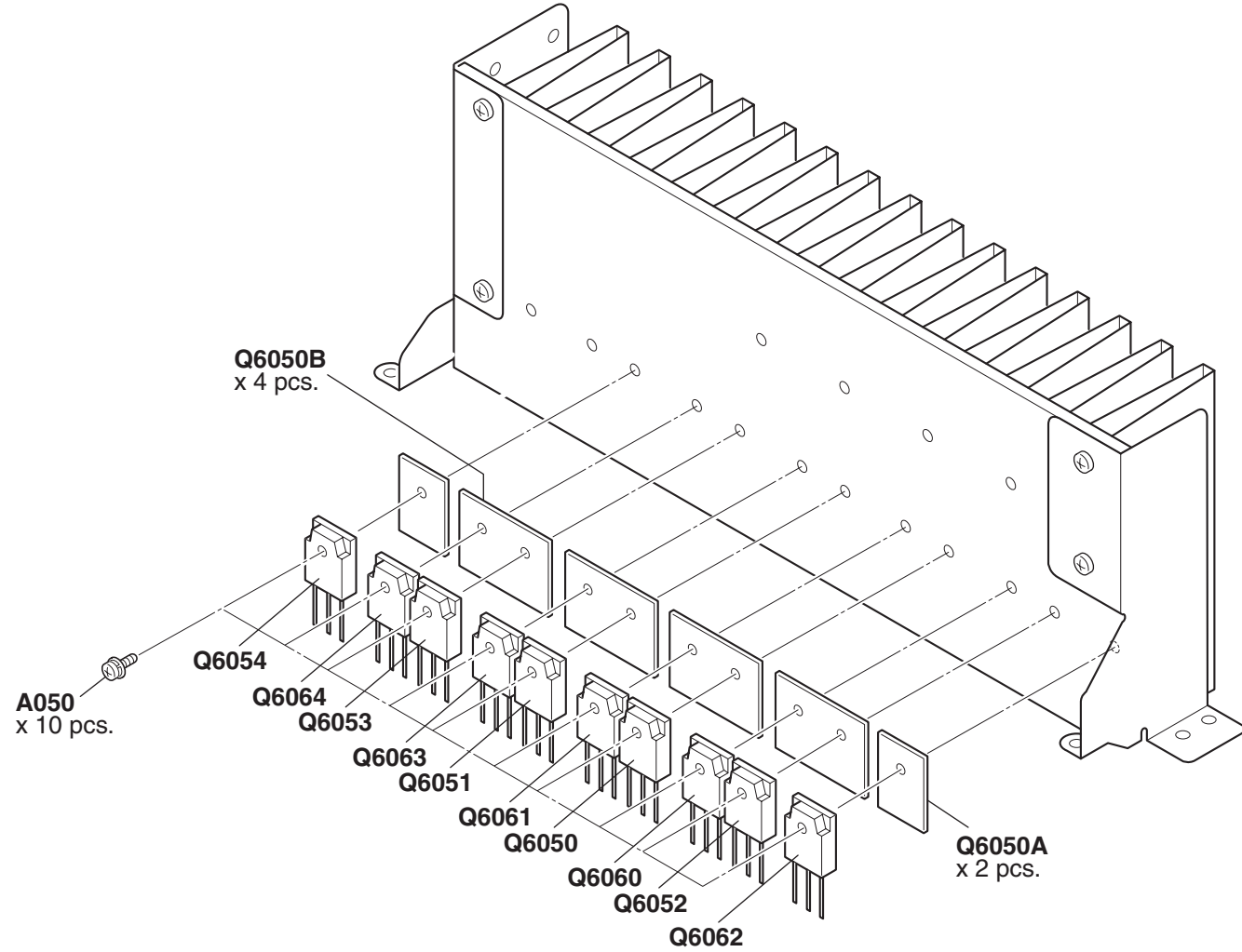
# EXPLODED VIEWS-1



EXPLODED VIEWS-2



EXPLODED VIEWS-3



**SCHEMATIC DIAGRAMS-1**  
**BLOCK DIAGRAM AUDIO SECTION**

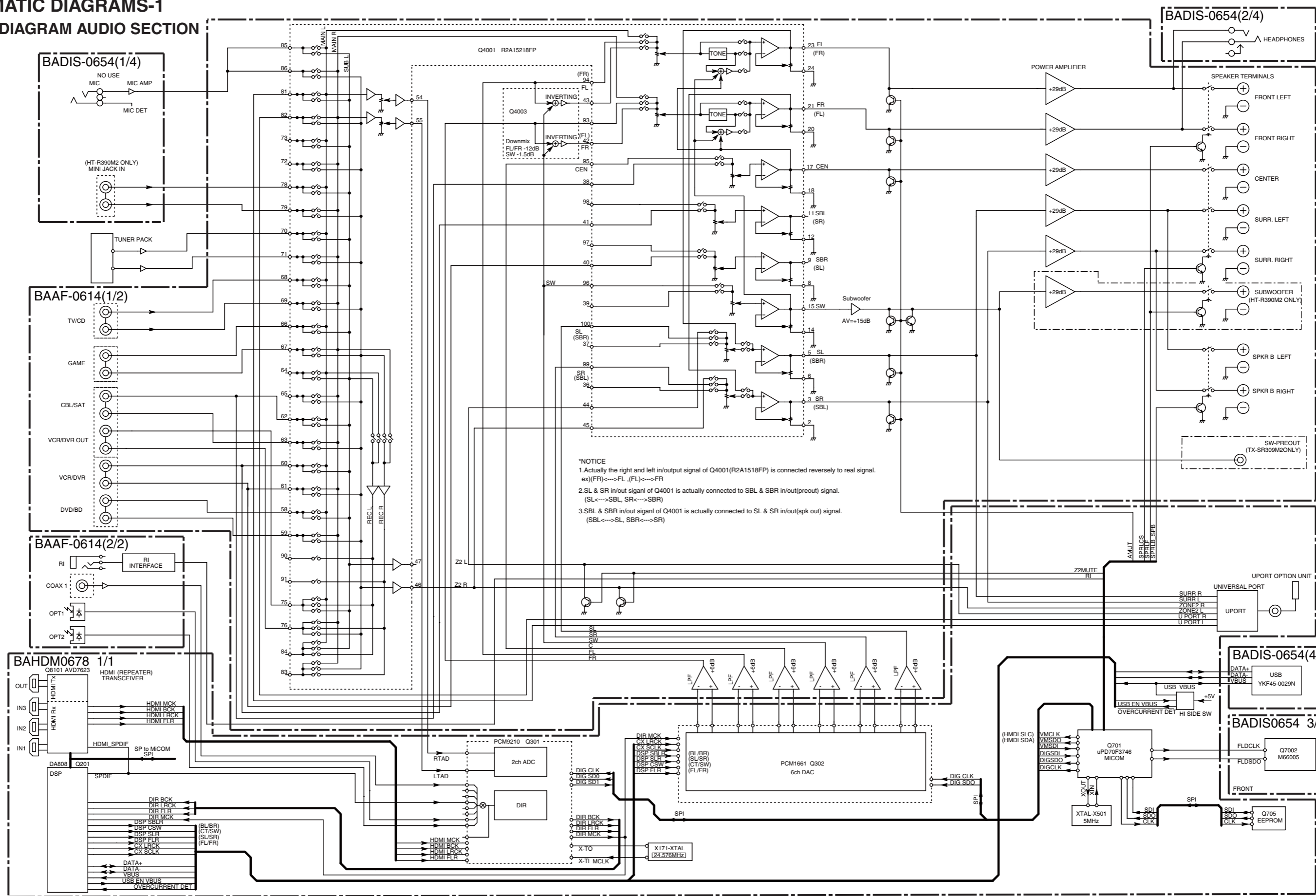
1

2

3

4

5

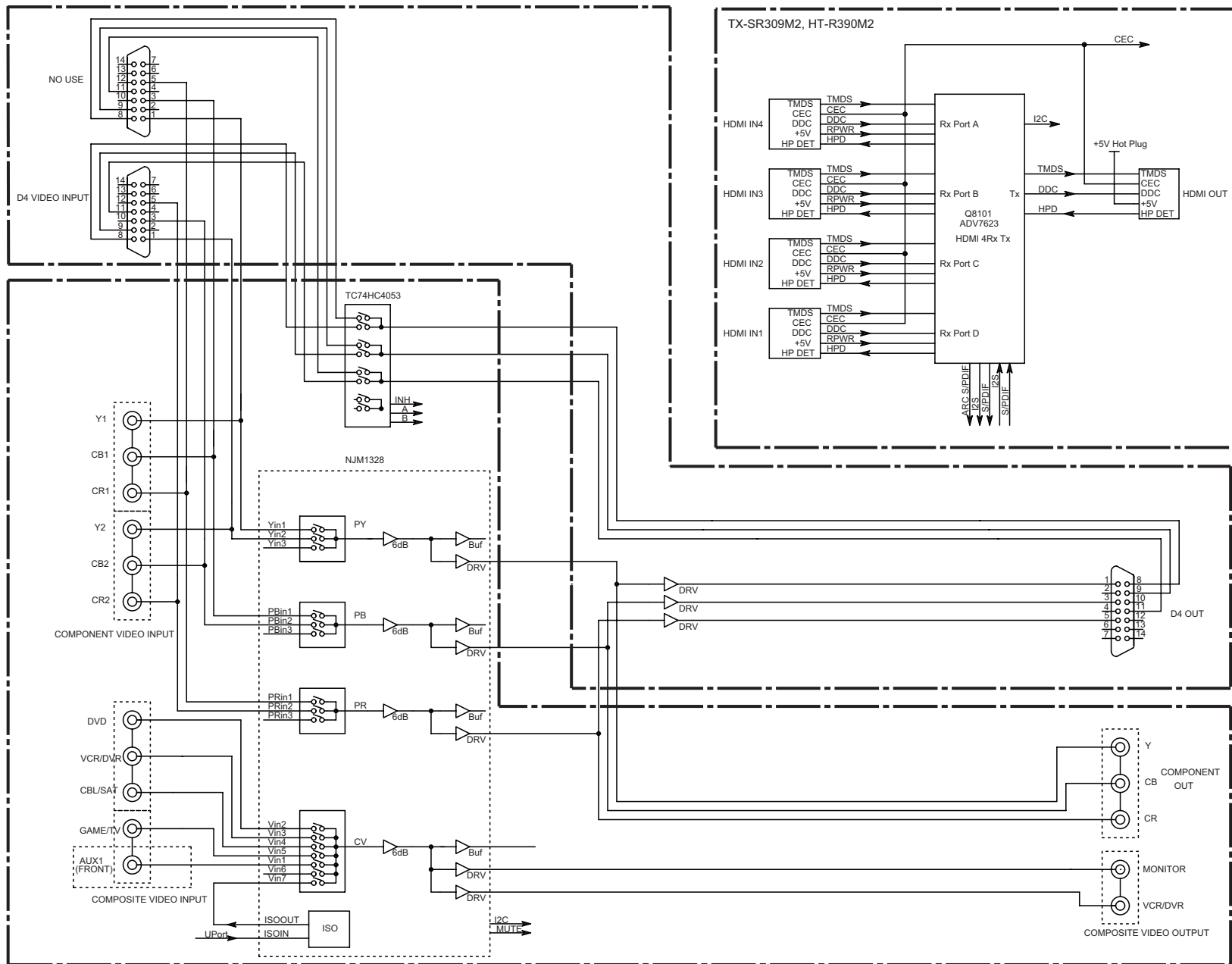


**\*NOTICE**  
 1. Actually the right and left in/output signal of Q4001(R2A15218FP) is connected reversely to real signal.  
 ex)(FR)←→.FL, (FL)←→FR  
 2. SL & SR in/out signal of Q4001 is actually connected to SBL & SBR in/out(preout) signal.  
 (SL←→SBL, SR←→SBR)  
 3. SBL & SBR in/out signal of Q4001 is actually connected to SL & SR in/out(spkr out) signal.  
 (SBL←→SL, SBR←→SR)

A B C D E

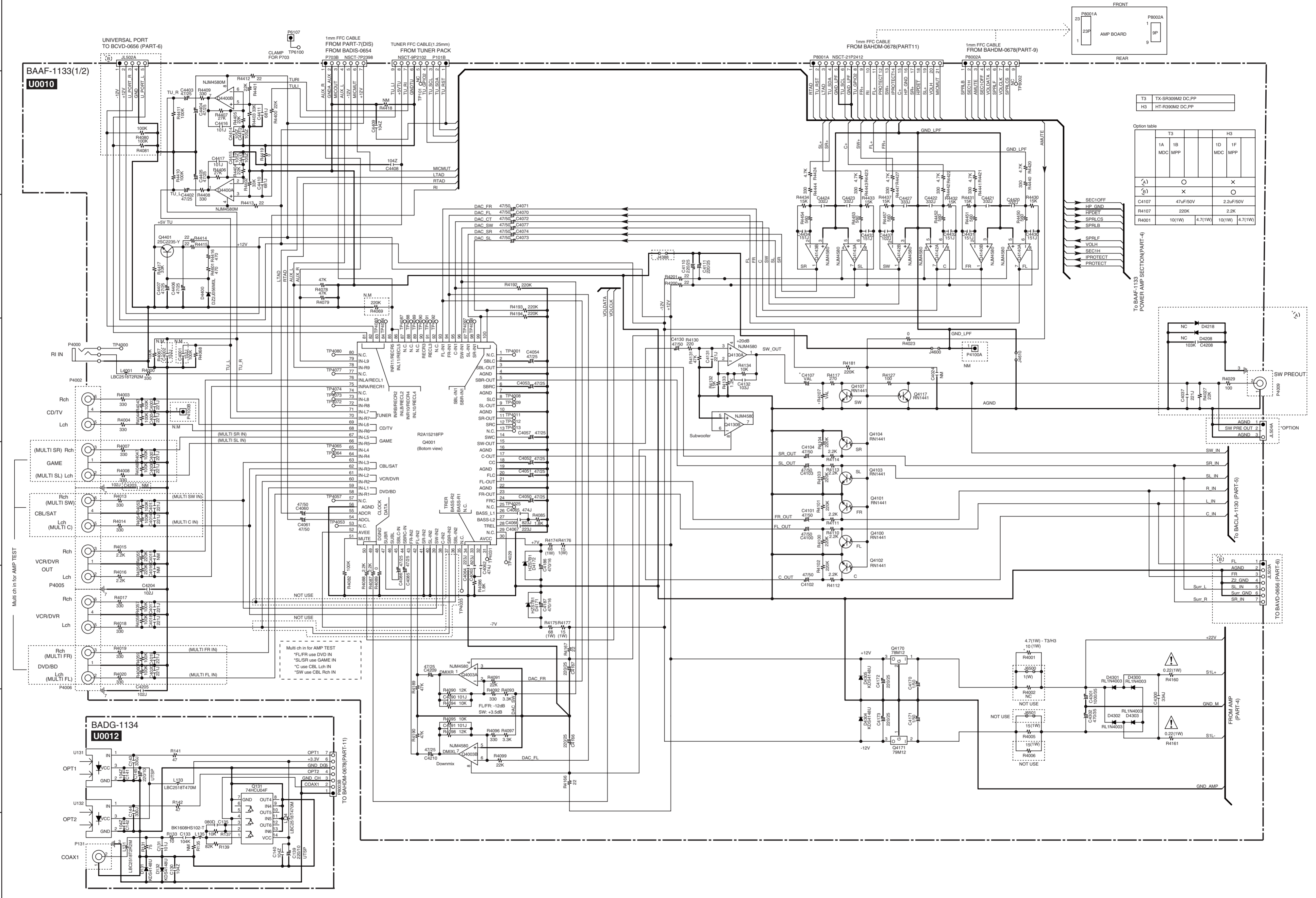
**SCHEMATIC DIAGRAMS-2**  
**BLOCK DIAGRAM VIDEO SECTION**

1  
2  
3  
4



SCHEMATIC DIAGRAMS-3  
AUDIO INPUT SECTION

MODEL NO. TX-SR309M2/HT-R390M2  
SCHEMATIC DIAGRAM (PART-3)  
AUDIO INPUT



Option table

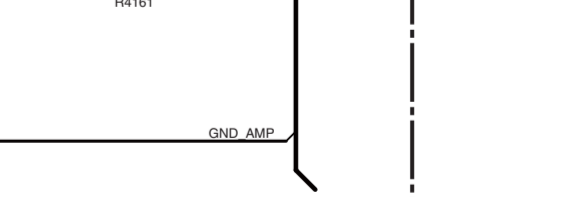
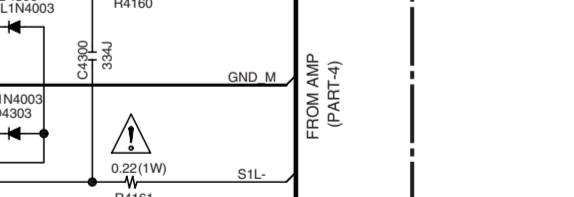
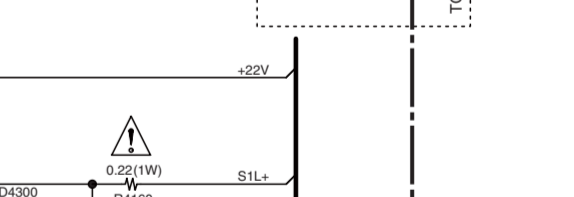
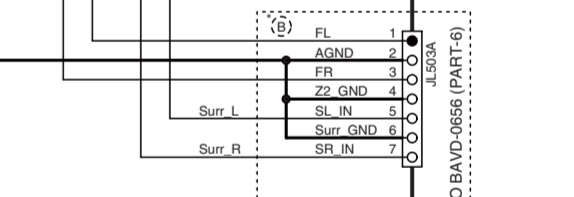
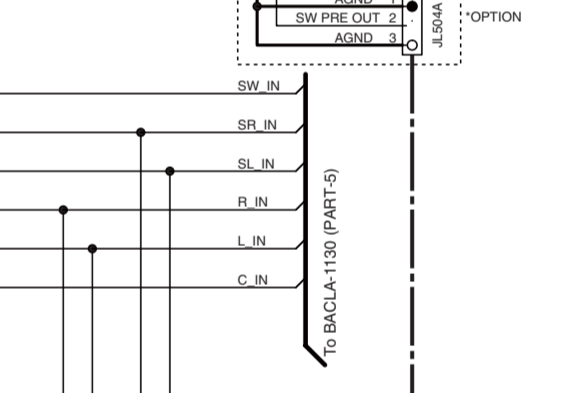
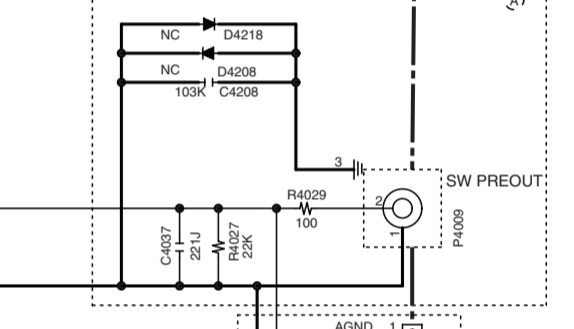
	T3	H3
1A	MDC	MPP
1B	MDC	MPP
1D	MDC	MPP
1F	MDC	MPP

Option table

	T3	H3
(A)	○	○
(B)	×	○

C4107 47uF/50V  
R4107 220K  
R4001 10(1W) 4.7(1W) 10(1W) 4.7(1W)

TO BAAF-1133(PART-4)  
POWER AMP SECTION(PART-4)



BAAF-1133(1/2)  
U0010

BADG-1134  
U0012

1  
2  
3  
4  
5  
6  
7  
8

SCHEMATIC DIAGRAMS-4  
AMP SECTION

Model No. TX-SR309M2/HT-R390M2  
SCHEMATIC DIAGRAM (PART-4)  
AMP SECTION

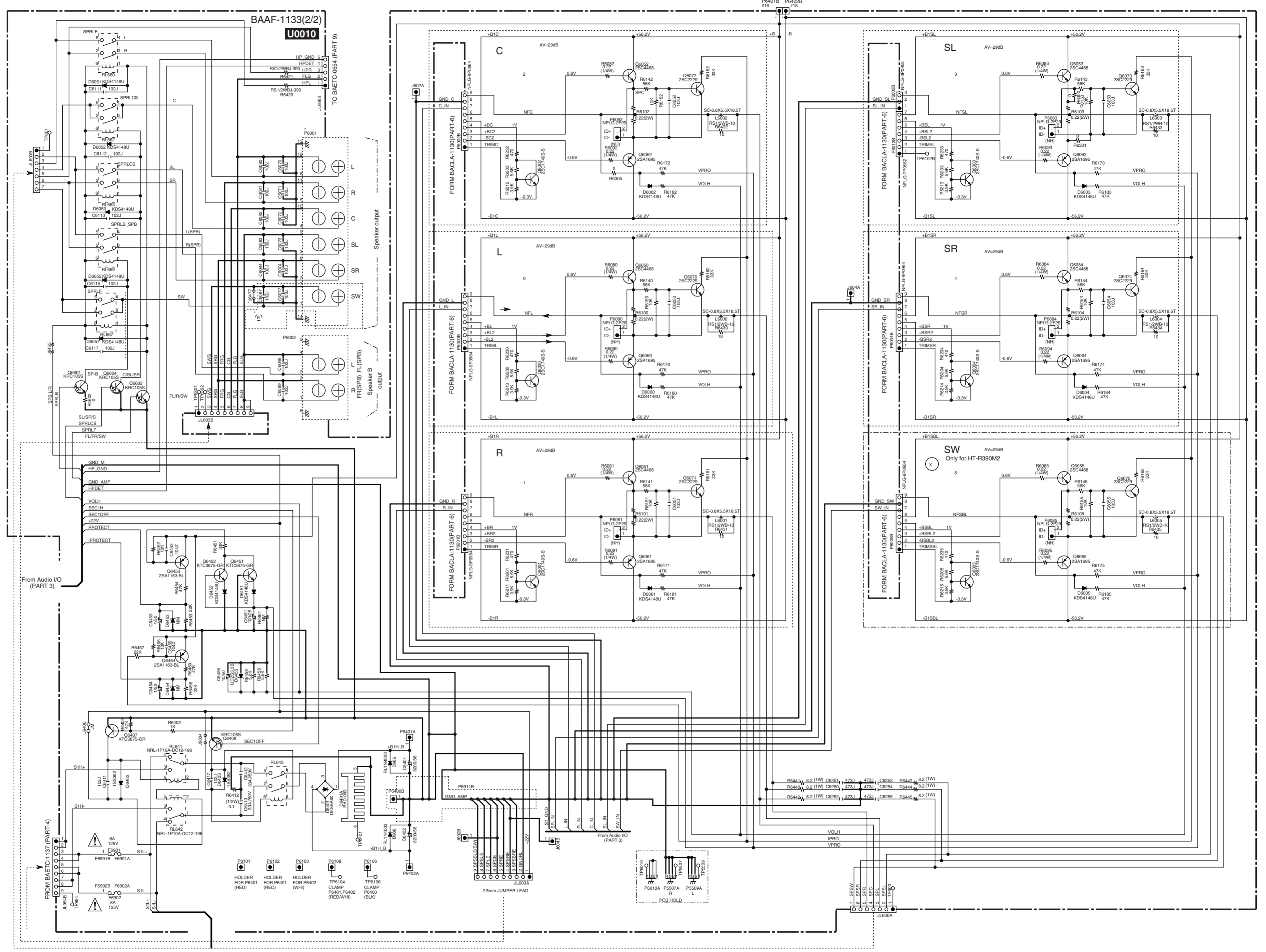
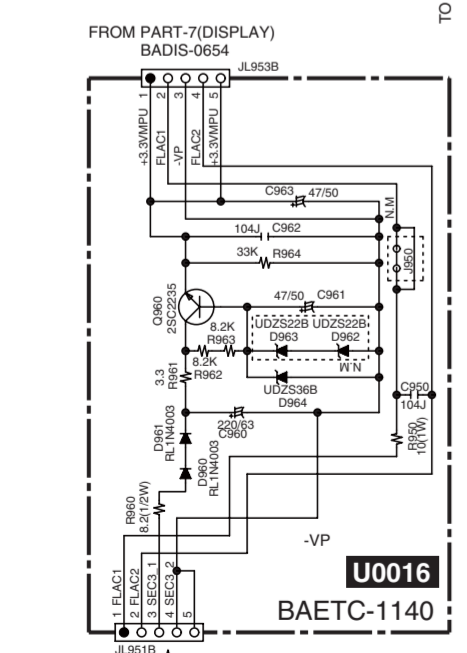
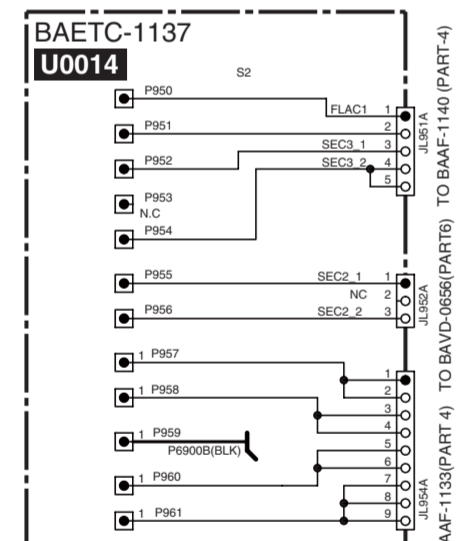
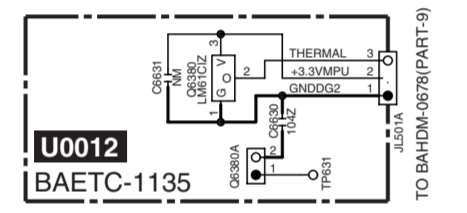
Notes  
THE COMPONENTS IDENTIFIED BY MARK ARE CRITICAL FOR SAFETY. REPLACE ONLY WITH PART NUMBER SPECIFIED.  
VOLTAGE(MEASUREDWITHVOLTMMETER) IS DCVOLTAGE (NO INPUT SIGNAL IN HT-R390MP)  
ELECTROLYTIC CAPACITORS ARE IN uF/WV.  
EX)0.003uF 330.33uF 331.33uF 333.0.033uF  
CIRCUIT IS SUBJECT TO CHANGE FOR IMPROVEMENT.  
ALL CAPACITORS ARE IN uF/50WV UNLESS OTHERWISE NOTED.

CAUTION  
FOR CONTINUED PROTECTION AGAINST FIRE HAZARD, REPLACE ONLY WITH FUSE OF SAME TYPE AND RATING INDICATED.  
 ATTENTION  
AVIN D'ASSURER UNE PROTECTION PERMANENTE CONTRE LES RISQUES D'INCENDIE, REMPLACER UNiquement PAR UN FUSIBLE DE MEME TYPE ET CALIBRATION COMME INDIQUE.  
THIS SYMBOL LOCATED NEAR THE FUSE INDICATES THAT THE FUSE USED IS SLOW OPERATING TYPE. FOR CONTINUED PROTECTION AGAINST FIRE HAZARD REPLACE WITH SAME TYPE FUSE. FOR FUSE RATING REFER TO THE MAKING ADJACENT TO THE SYMBOL.  
CE SYMBOLE INDIQUE QUE LE FUSIBLE UTILISE EST A LENT E POUR UNE PROTECTION PERMANENTE UTILISER QUE DES FUSIBLES DE MEME TYPE. CE DERNIER EST INDIQUE LA QU LE PRESENT SYMBOLE EST APPOSE.

Table with 2 columns: Part No., Description

Table with 2 columns: MODEL, Power Trans

Destination table with columns: T3, -1A, -1B, -1D, -1F, MDC, MPP, MDC, MPP



FROM PART 4(AMP)  
BAAF-1137

1  
2  
3  
4  
5  
6  
7  
8



# SCHEMATIC DIAGRAMS-5

## AMP(INPUT STAGE) SECTION

Model No. TX-SR309M2/HT-R390M2  
SCHEMATIC DIAGRAM (PART-5)  
AMP(input stage) SECTION

### ADJUSTMENT OF IDLING CURRENT

- <Notes>**  
1. Set R6040, 6041, 6042, 6043, 6044 and 6045 to minimum position before Power On the unit.  
2. Equip series 1/4W 100 ohm resistors near the terminal respectively in the each poles of the jig used for P6080, 6081, 6082, 6083, 6084 and 6085 terminals.

#### [Procedure]

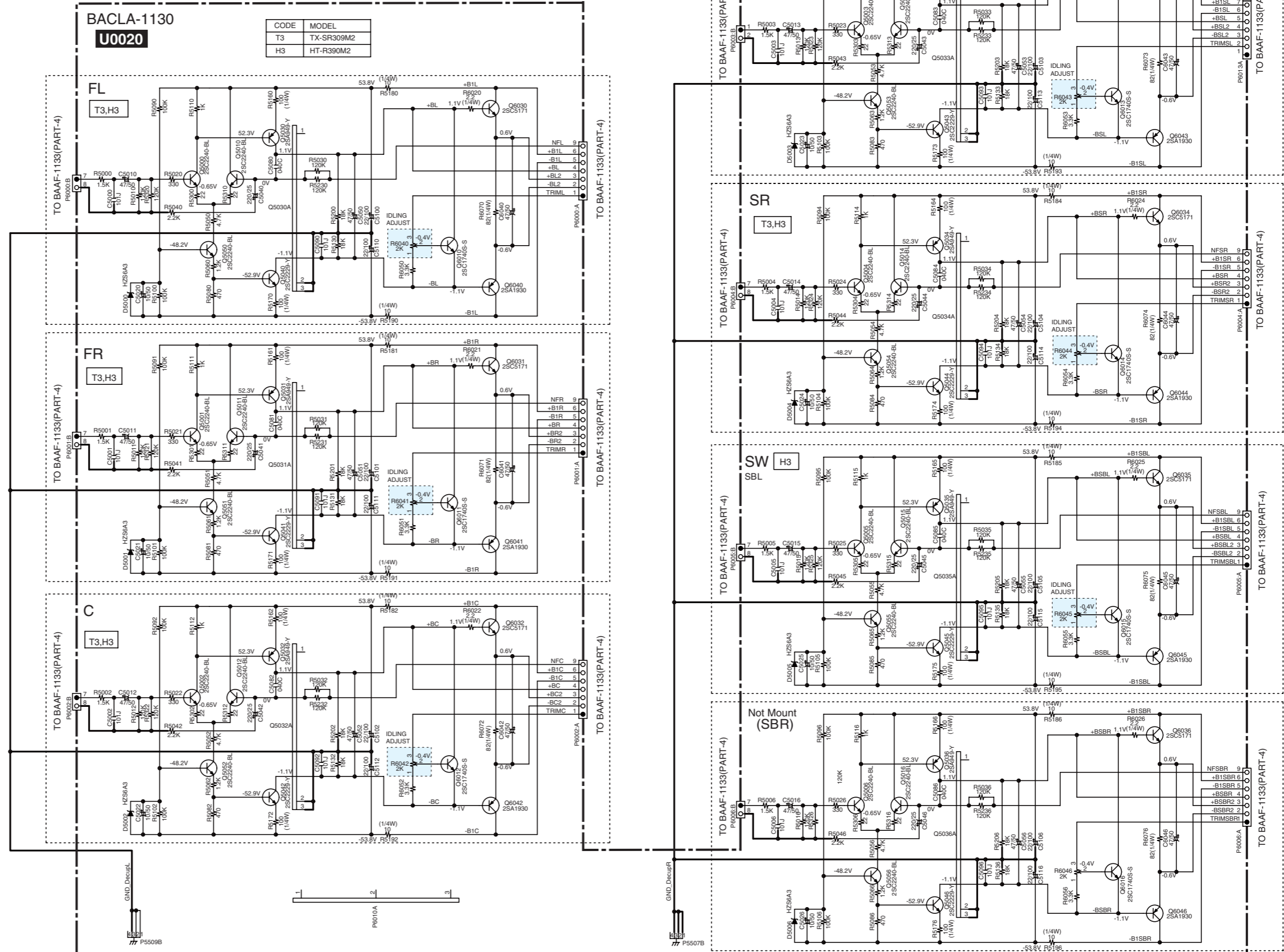
- L/R/C  
1. Set the voltages at P6080, 6081 and 6082 to 1.5 mV by adjusting R6040, 6041 and 6042, under the condition of no input and no load, immediately after Power On the unit.  
2. Re-adjust by following procedure after 6 minutes of heat running.

L/R/C		
Below 9 mV	→	9 mV
Between 9 and 11 mV	→	Leave it as it is.
Over 11 mV	→	11 mV

#### SL/SR/SW

3. Set the voltages at P6083, 6084 and 6085 to 1.5 mV by adjusting R6043, 6044 and 6045, under the condition of no input and no load, immediately after Power On the unit.  
4. Re-adjust by following procedure after 6 minutes of heat running.

SL/SR/SW SW: HT-R390 Only		
Below 6 mV	→	6 mV
Between 6 and 8 mV	→	Leave it as it is.
Over 8 mV	→	8 mV



CODE	MODEL
T3	TX-SR309M2
H3	HT-R390M2

1

2

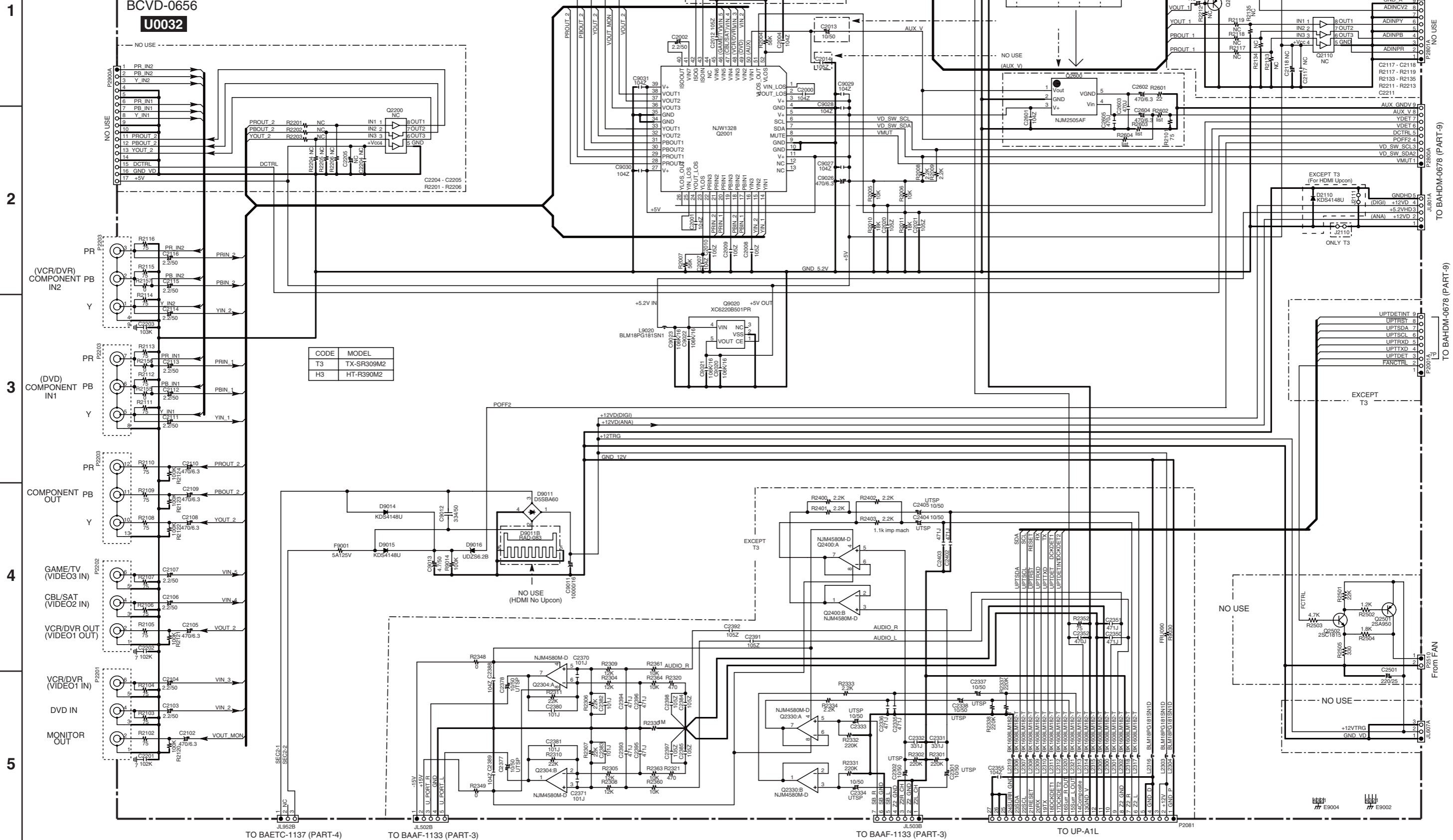
3

4

5

**SCHEMATIC DIAGRAMS-6**  
**VIDEO SECTION**

MODEL NO. TX-SR309M2/HT-R390M2  
SCHEMATIC DIAGRAM (PART-6)  
VIDEO SECTION



CODE	MODEL
T3	TX-SR309M2
H3	HT-R390M2

Front USB  
need parts

O	R2601 - C2605	22	4.7	NC
X	R2602 - R2604	0	0	0

TO BAETC-1137 (PART-4)

TO BAAF-1133 (PART-3)

TO BAAF-1133 (PART-3)

TO UP-A1L

TO BAHDM-0678 (PART-9)

TO BAHDM-0678 (PART-9)

From FAN

E9004 E9002

**SCHEMATIC DIAGRAMS-7**  
**DISPLAY SECTION**

MODEL NO. TX-SR309M2/HT-R390M2  
Schematic Diagram (Part-7)  
Display Section

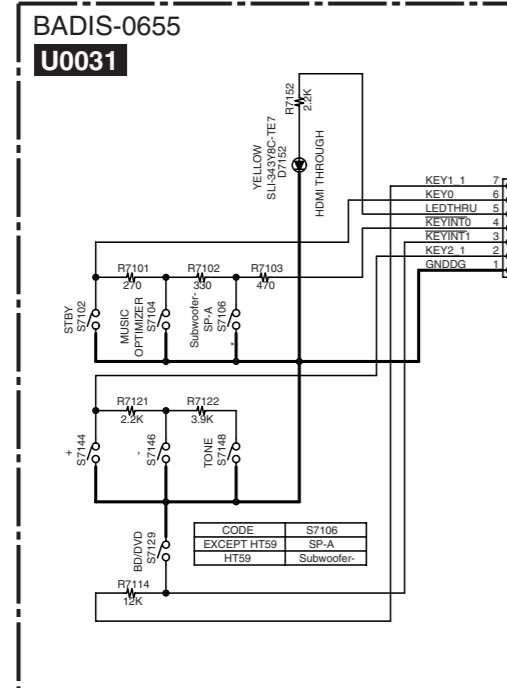
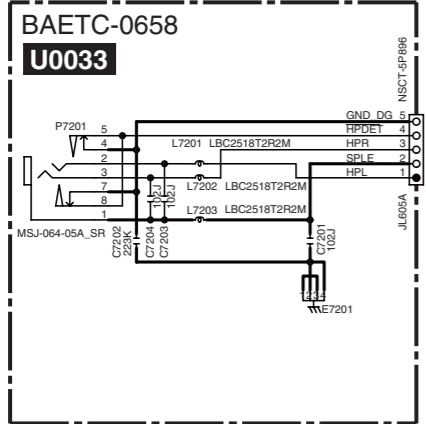
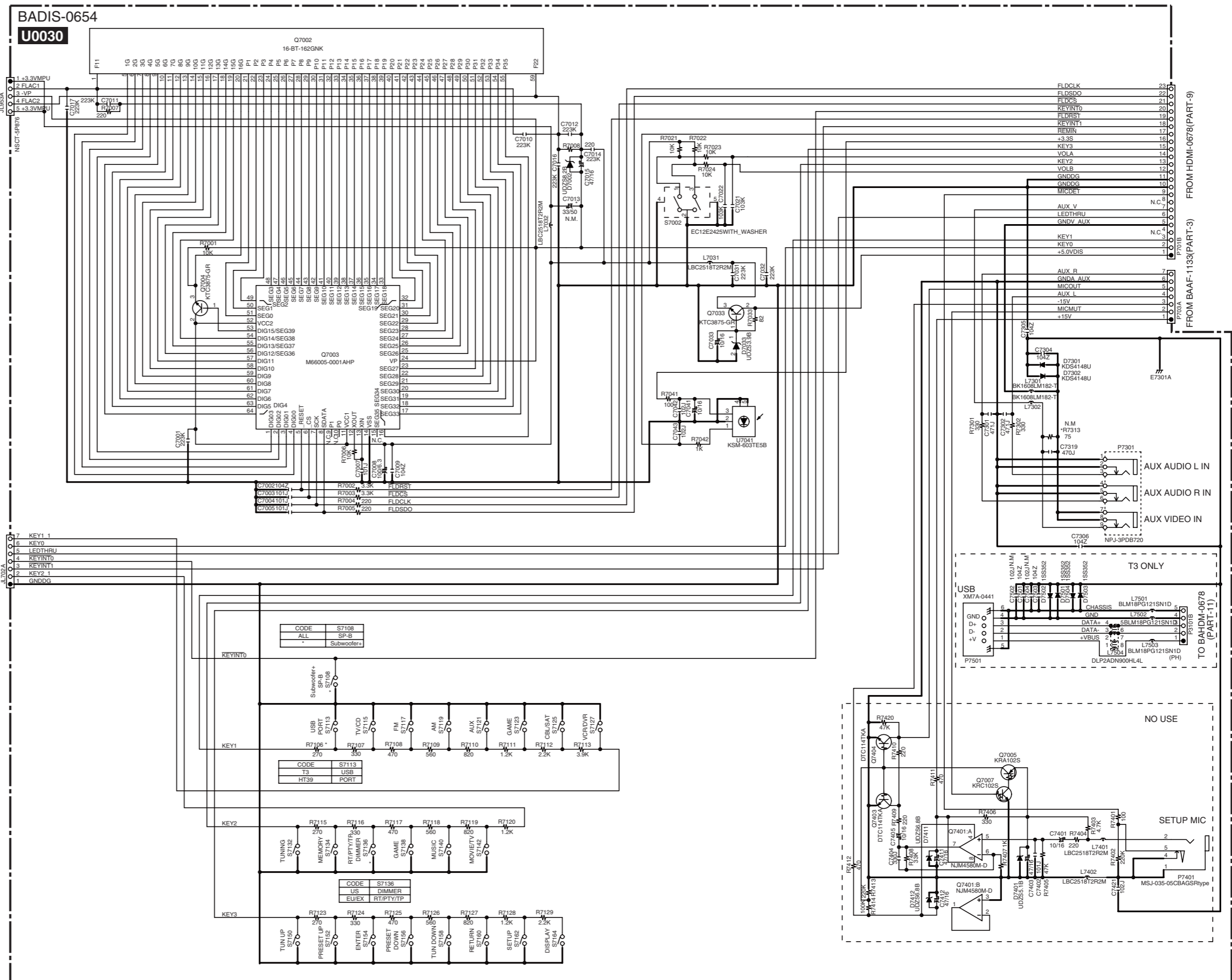
1

2

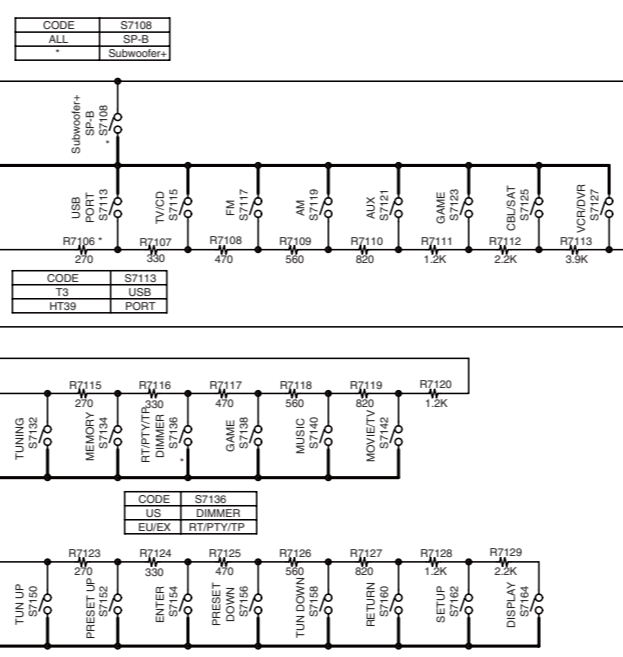
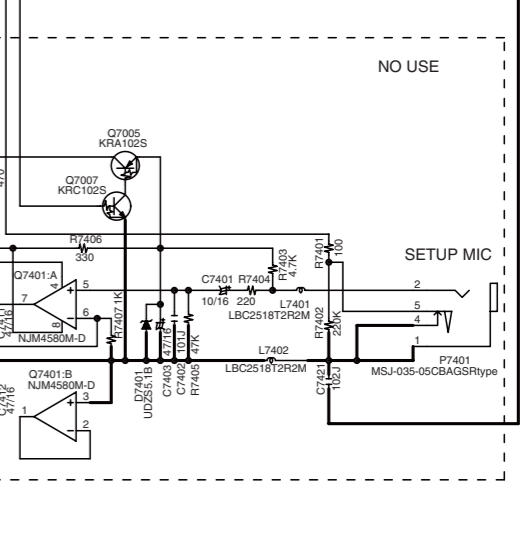
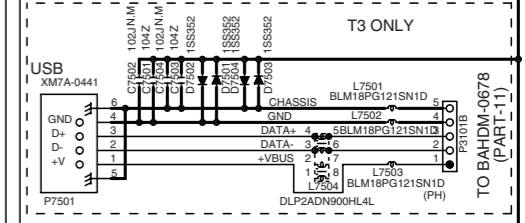
3

4

5



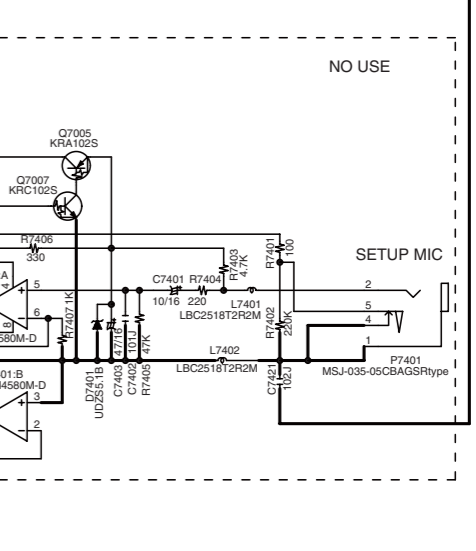
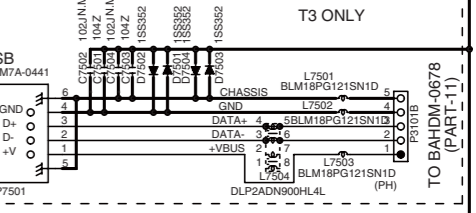
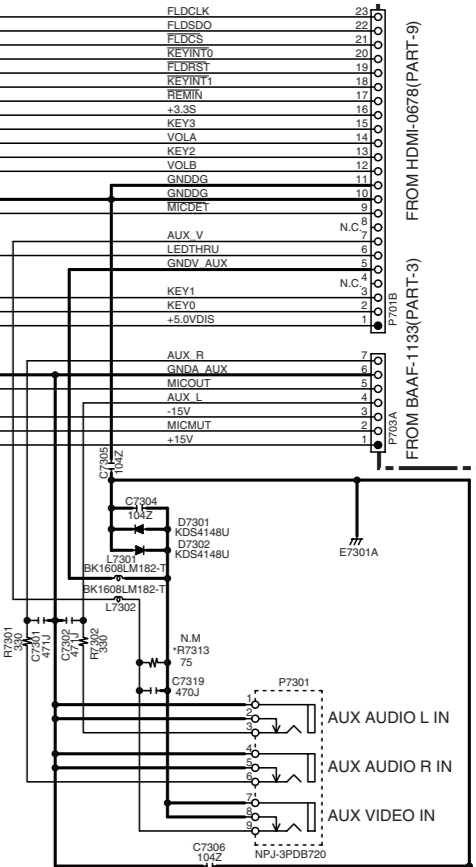
CODE	MODEL
T3	TX-SR309M2
HT39	HT-R390M2



CODE	S7108
ALL	SP-B
*	Subwoofer+

CODE	S7113
T3	USB
HT39	PORT

CODE	S7136
US	DIMMER
EU/EX	RT/PTV/TP



# SCHEMATIC DIAGRAMS-8

## POWER SUPPLY SECTION

MODEL NO. TX-SR309M2/HT-R390M2  
Schematic Diagram (Part-8)  
PS Section

1

**NOTE**

- THE COMPONENTS IDENTIFIED BY MARK ARE CRITICAL FOR SAFETY. REPLACE ONLY WITH PART NUMBER SPECIFIED.
- VOLTAGE (MEASURED WITH VOLTMETER) IS DC VOLTAGE.(NO INPUT SIGNAL).
- ALL PNP TRANSISTORS ARE EQUIVALENT TO 2SA1015-GR UNLESS OTHERWISE NOTED.
- ALL NPN TRANSISTORS ARE EQUIVALENT TO 2SC1815-GR UNLESS OTHERWISE NOTED.
- ALL DIODES ARE EQUIVALENT TO 1SS133 UNLESS OTHERWISE NOTED.
- ELECTROLYTIC CAPACITORS ( ) ARE IN uF/WV.
- ALL CAPACITORS ARE IN pF/50V UNLESS OTHERWISE NOTED.  
EX) 030- 3pF 330- 33pF 331- 330pF 333- 0.033uF
- ALL RESISTORS ARE IN OHMS 1/4WATTS UNLESS OTHERWISE NOTED.
- THE THICK LINES ON PC BOARD ARE THE PRINTING SIDE OF THE PARTS.  
EX) PRINTING SIDE
- CIRCUIT IS SUBJECT TO CHANGE FOR IMPROVEMENT.

2

**CAUTION**

FOR CONTINUED PROTECTION AGAINST FIRE HAZARD, REPLACE ONLY WITH FUSE OF SAME TYPE AND RATING INDICATED.



**ATTENTION**

AFIN D'ASSURER UNE PROTECTION PERMANENTE CONTRE LES RISQUES D'INCENDIE, REMPLACER UNIQUEMENT PAR UN FUSIBLE DE MEME TYPE ET CALIBRATION COMME INDIQUE.



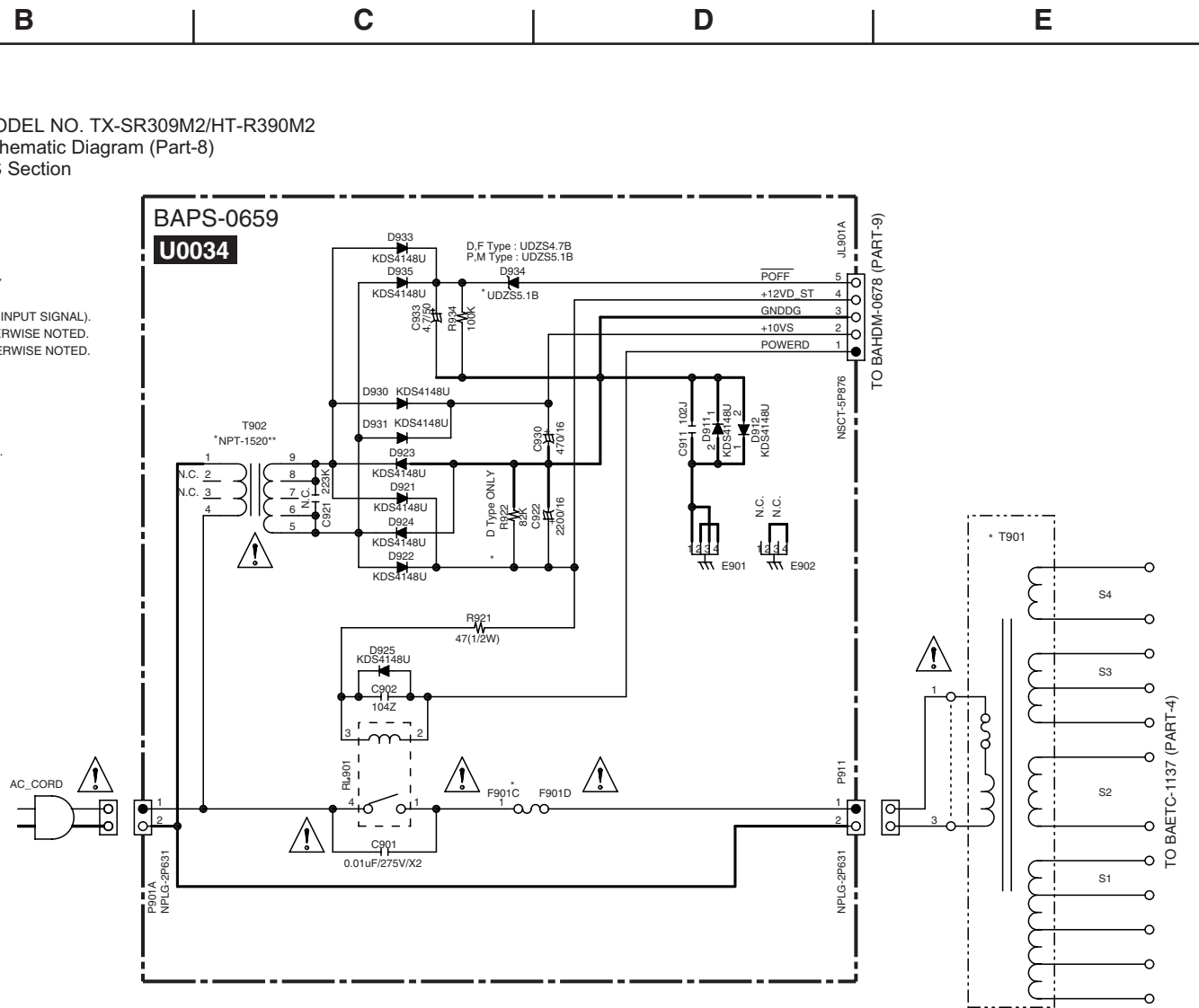
THIS SYMBOL LOCATED NEAR THE FUSE INDICATES THAT THE FUSE USED IS SLOW OPERATING TYPE FOR CONTINUED PROTECTION AGAINST FIRE HAZARD,REPLACE WITH SAME TYPE FUSE. FOR FUSE RATING REFER TO THE MARKING ADJACENT TO THE SYMBOL.

3



CE SYMBOLE INDIQUE QUE LE FUSIBLE UTILISE EST E LENT.POUR UNE PROTECTION PERMANENTE,N'UTILISER QUE DES FUSIBLES DE MEME TYPE. CE DARNIER EST INDIQUE LA QU LE PRESENT SYMBOLE EST APPOSE.

4



CODE	MODEL
T3	TX-SR309M2
HT39	HT-R390M2

F901		T3	HT39
D,F	8A 125V	8A 125V	
P,M	T4AL250V	T4AL250V	

T901		T3	HT39
D,F	NPT-1603D	NPT-1603D	
P	NPT-1603P	NPT-1603P	
M	NPT-1603M	NPT-1603M	

T902		T3
D,F	NPT-1520JQ	
P,M	NPT-1520GQ	

TYPE		AC
D,F	120V	~ / 60Hz
P	230V	~ / 50Hz
M	220-240V	~ / 50/60Hz

RL901		T3	HT39
D,F	NRL-1P5A	NRL-1P5A	
P,M	NRL-1P5A	NRL-1P5A	

SCHEMATIC DIAGRAMS-9  
MPU SECTION

MODEL NO. TX-SR309M2/HT-R390M2  
Schematic Diagram (Part-9)  
MPU Section

BAHDM-0678(1/3)  
U0040

\*\*\*MPU INITIAL SETTING VALUE\*\*\*

MODEL		TX-SR309M2		HT-R390M2		
VERSION	DC DF	PA MR	DC MK	PP MB	PP	
BAND	UP	R669	33K	10K	33K	10K
	DOWN	R668	10K	NC	10K	NC
INIT1	UP	R667	NC	NC	NC	NC
	DOWN	R666	0	0	0	0
INIT2	UP	R665	NC	NC	33K	33K
	DOWN	R664	0	0	10K	10K
INIT3	UP	R663	NC	NC	NC	33K
	DOWN	R662	0	0	0	10K

To BAHDM-0678 DSP SECTION (PART-11)

To BAHDM-0678 HDMI SECTION (PART-10)

To BAHDM-0678

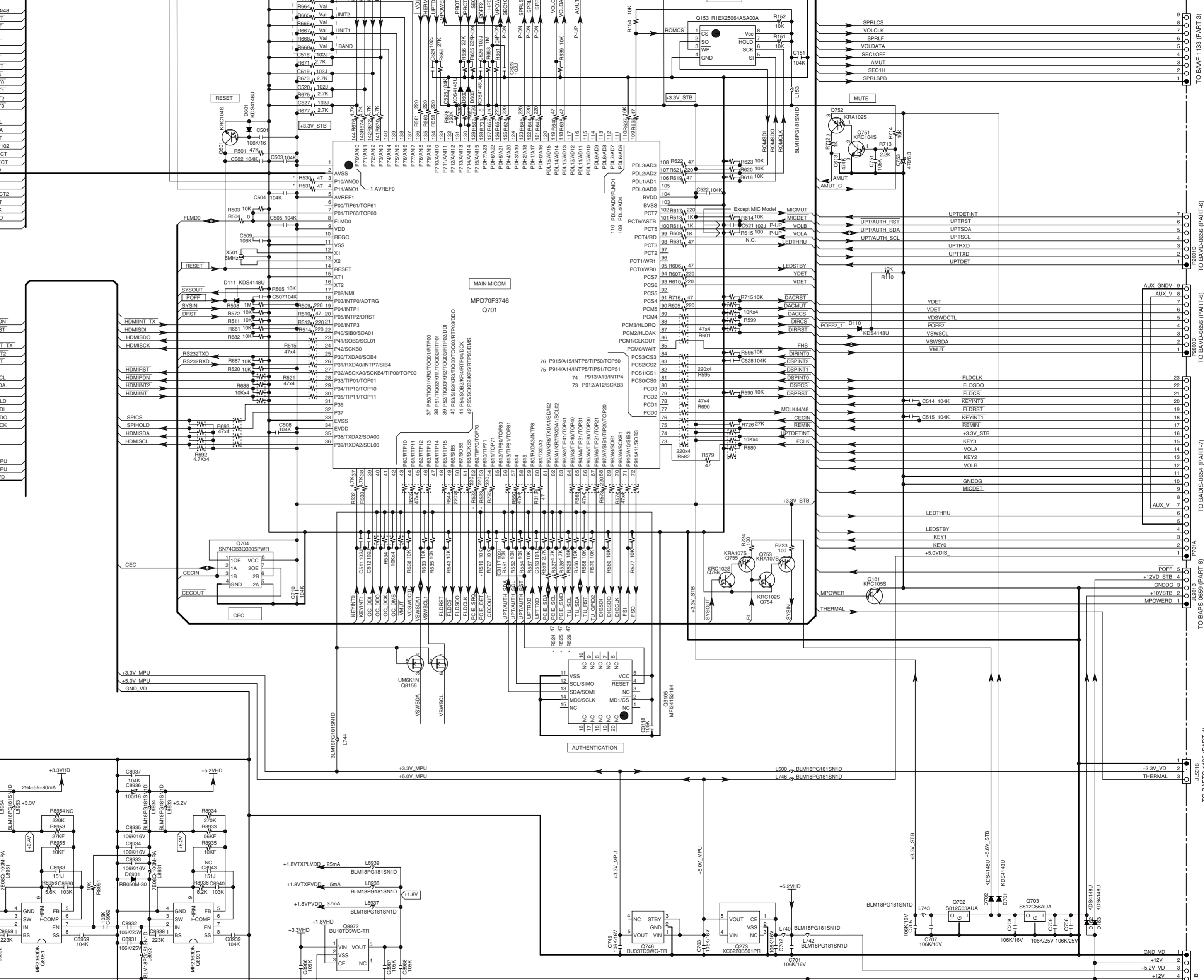
To BAHDM-0678

POWER SUPPLY (DDC)

POWER SUPPLY For HDMI

POWER SUPPLY (MPU)

POWER SUPPLY (STB)



To BAAF-1133 (PART-3)

To BAVD-0656 (PART-6)

To BAVD-0656 (PART-6)

To BAVD-0656 (PART-6)

To BAP5-0659 (PART-8)

To BAETC-1133 (PART-4)

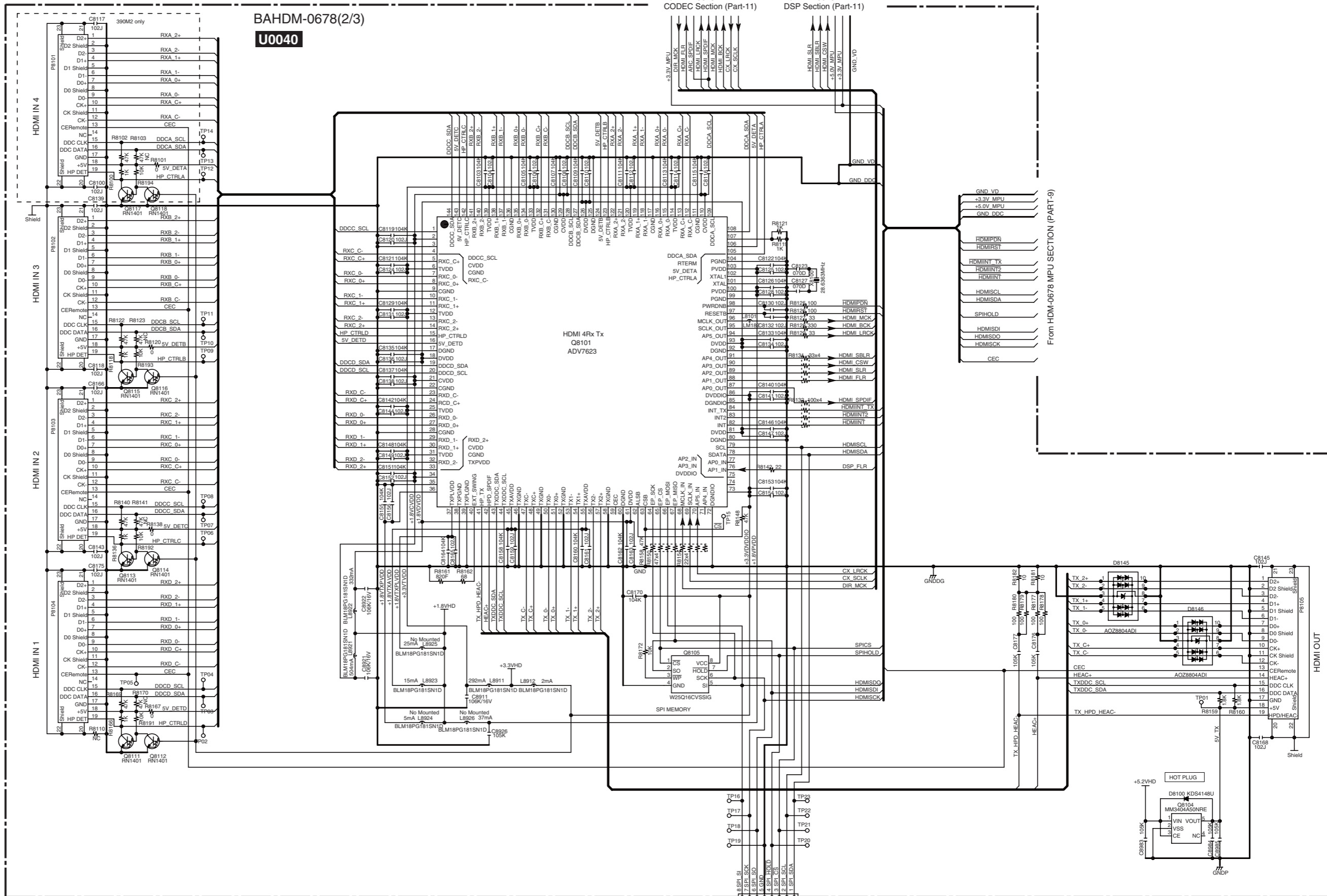
To BAVD-0656 (PART-6)

PAGE 9

SCHEMATIC DIAGRAMS-10

HDMI SECTION

MODEL NO. TX-SR309M2/HT-R390M2  
Schematic Diagram (Part-10)  
HDMI Section



1

2

3

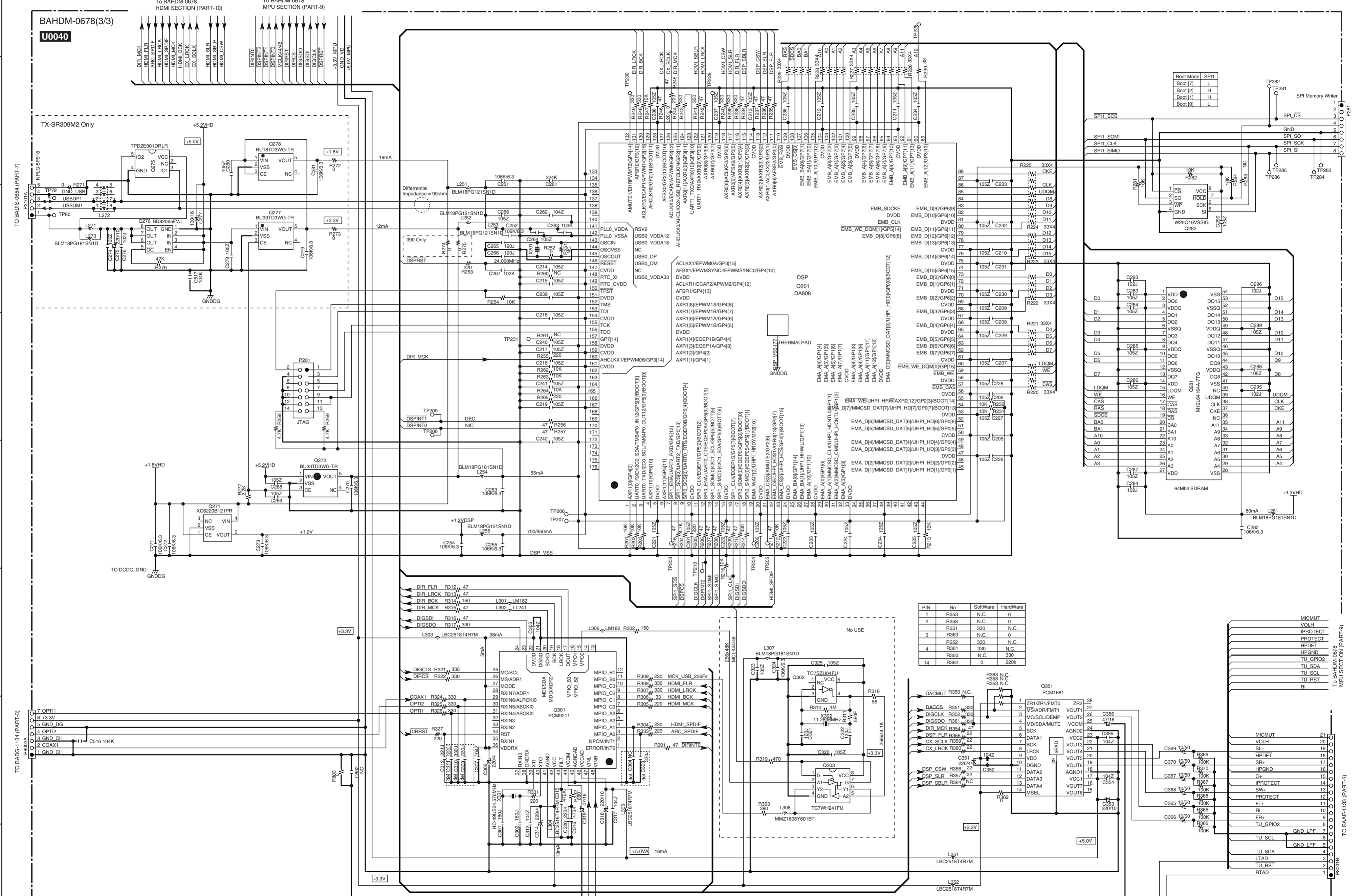
4

5

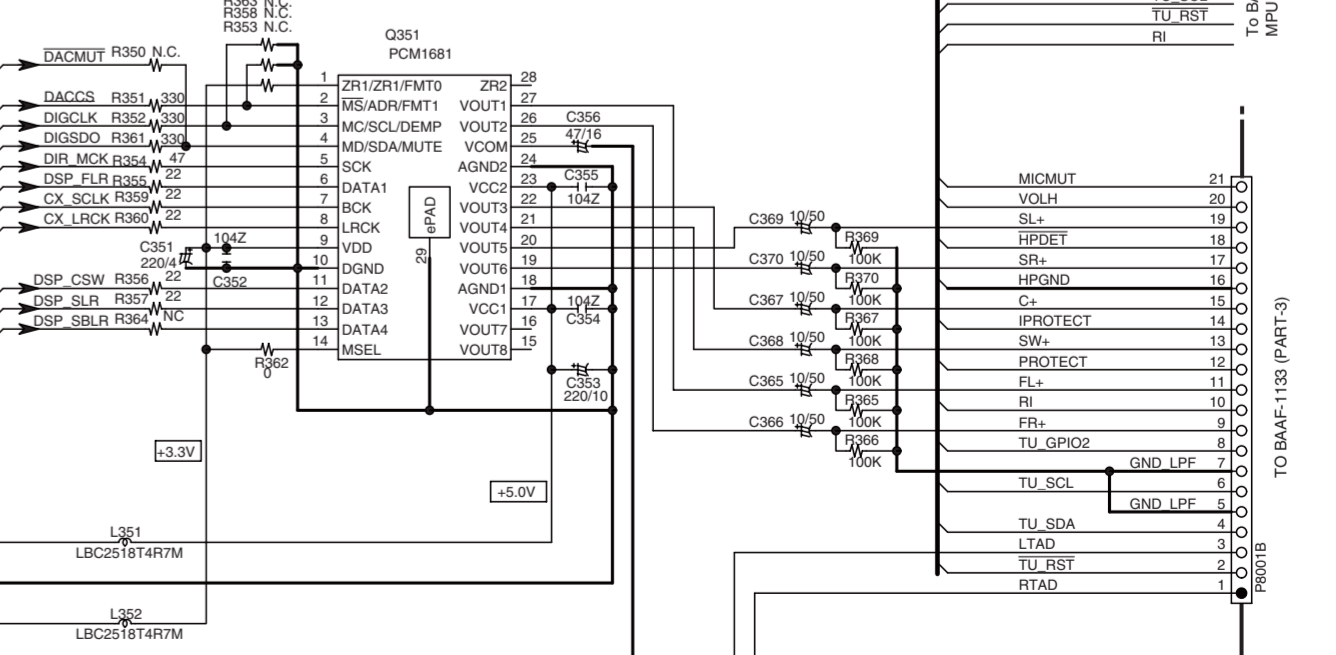
SPI MEMORY Writer

SCHEMATIC DIAGRAMS-11  
DSP/ CODEC/ DAC SECTION

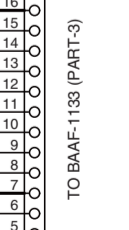
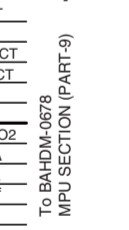
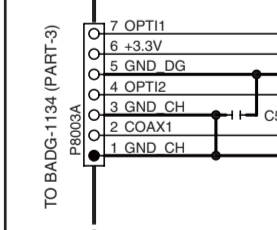
MODEL NO. TX-SR309M2/HT-R390M2  
Schematic Diagram (Part-11)  
DSP/CODEC/DAC Section



PIN	No	SoftWare	HardWare
1	R353	N.C.	0
2	R358	N.C.	0
3	R363	N.C.	0
4	R361	330	N.C.
5	R352	330	N.C.
6	R362	0	330
14	R362	0	220K



Boot Mode	SPI1
Boot [7]	L
Boot [6]	H
Boot [5]	H
Boot [4]	H
Boot [3]	H
Boot [2]	H
Boot [1]	H
Boot [0]	L



**TX-SR309(M2)****<Note>**

Parts marked by "NSP" are generally unavailable because they are not in our Master Spare Parts List.

**NOTE : THE COMPONENTS IDENTIFIED BY THE MARK  
! ARE CRITICAL FOR RISK OF FIRE AND  
ELECTRIC SHOCK. REPLACE ONLY WITH PART  
NUMBER SPECIFIED.**

**<Notes>**

(B) : Black model

(S) : Silver model

<MDC> : 120V, Canadian model

<MMP> : 230V, CE(European) country model

**EXPLODED VIEW PARTS LIST**

REF. NO.	PART NAME	DESCRIPTION	Q'TY	PART NO. (SN)	REMARKS
<b>[CHASSIS SCREW]</b>					
Q6050	TR	2SC4468-O	1	2202523	
Q6050 or	TR	2SC4468-Y	(1)	2202524	
Q6050 or	TR	2SC4468-P	(1)	2202526	
Q6050 or	TR	2SC5198-O	(1)	2203063	
Q6050 or	TR	MN130S-O	(1)	2203663	
Q6050 or	TR	MN130S-Y	(1)	2203664	
Q6050 or	TR	MN130S-P	(1)	2203666	
Q6050A	ISO SHEET	AC238	2	223024	
Q6050B	ISO SHEET	ISO SHEET	4	223050	
Q6051	TR	2SC4468-O	1	2202523	
Q6051 or	TR	2SC4468-Y	(1)	2202524	
Q6051 or	TR	2SC4468-P	(1)	2202526	
Q6051 or	TR	2SC5198-O	(1)	2203063	
Q6051 or	TR	MN130S-O	(1)	2203663	
Q6051 or	TR	MN130S-Y	(1)	2203664	
Q6051 or	TR	MN130S-P	(1)	2203666	
Q6052	TR	2SC4468-O	1	2202523	
Q6052 or	TR	2SC4468-Y	(1)	2202524	
Q6052 or	TR	2SC4468-P	(1)	2202526	
Q6052 or	TR	2SC5198-O	(1)	2203063	
Q6052 or	TR	MN130S-O	(1)	2203663	
Q6052 or	TR	MN130S-Y	(1)	2203664	
Q6052 or	TR	MN130S-P	(1)	2203666	
Q6053	TR	2SC4468-O	1	2202523	
Q6053 or	TR	2SC4468-Y	(1)	2202524	



Q6053 or	TR	2SC4468-P	(1)	2202526
Q6053 or	TR	2SC5198-O	(1)	2203063
Q6053 or	TR	MN130S-O	(1)	2203663
Q6053 or	TR	MN130S-Y	(1)	2203664
Q6053 or	TR	MN130S-P	(1)	2203666
Q6054	TR	2SC4468-O	1	2202523
Q6054 or	TR	2SC4468-Y	(1)	2202524
Q6054 or	TR	2SC4468-P	(1)	2202526
Q6054 or	TR	2SC5198-O	(1)	2203063
Q6054 or	TR	MN130S-O	(1)	2203663
Q6054 or	TR	MN130S-Y	(1)	2203664
Q6054 or	TR	MN130S-P	(1)	2203666
Q6060	TR	2SA1695-O	1	2202513
Q6060 or	TR	2SA1695-Y	(1)	2202514
Q6060 or	TR	2SA1695-P	(1)	2202516
Q6060 or	TR	2SA1941-O	(1)	2203053
Q6060 or	TR	MP130S-O	(1)	2203673
Q6060 or	TR	MP130S-Y	(1)	2203674
Q6060 or	TR	MP130S-P	(1)	2203676
Q6061	TR	2SA1695-O	1	2202513
Q6061 or	TR	2SA1695-Y	(1)	2202514
Q6061 or	TR	2SA1695-P	(1)	2202516
Q6061 or	TR	2SA1941-O	(1)	2203053
Q6061 or	TR	MP130S-O	(1)	2203673
Q6061 or	TR	MP130S-Y	(1)	2203674
Q6061 or	TR	MP130S-P	(1)	2203676
Q6062	TR	2SA1695-O	1	2202513
Q6062 or	TR	2SA1695-Y	(1)	2202514
Q6062 or	TR	2SA1695-P	(1)	2202516
Q6062 or	TR	2SA1941-O	(1)	2203053
Q6062 or	TR	MP130S-O	(1)	2203673
Q6062 or	TR	MP130S-Y	(1)	2203674
Q6062 or	TR	MP130S-P	(1)	2203676
Q6063	TR	2SA1695-O	1	2202513
Q6063 or	TR	2SA1695-Y	(1)	2202514
Q6063 or	TR	2SA1695-P	(1)	2202516
Q6063 or	TR	2SA1941-O	(1)	2203053
Q6063 or	TR	MP130S-O	(1)	2203673
Q6063 or	TR	MP130S-Y	(1)	2203674

Q6063 or	TR	MP130S-P	(1)	2203676	
Q6064	TR	2SA1695-O	1	2202513	
Q6064 or	TR	2SA1695-Y	(1)	2202514	
Q6064 or	TR	2SA1695-P	(1)	2202516	
Q6064 or	TR	2SA1941-O	(1)	2203053	
Q6064 or	TR	MP130S-O	(1)	2203673	
Q6064 or	TR	MP130S-Y	(1)	2203674	
Q6064 or	TR	MP130S-P	(1)	2203676	
<b>[CHASSIS SCREW]</b>					
A001	CHASSIS	TX-SR307	1	27100532F	
A003	LEG	(B)	4	27175464	
A005	CUSHION	(ZUL)	4	28141877	
A007	SCREW	3TTB+8B(3BC)	4	838430088GR	
A009	HOLDER	KGLS-8RT	3	27190503A	
A010	HOLDER	KGPS-8RF	1	27191044	
A011	HOLDER	KGLS-10RT	1	27190428A	
A013	HOLDER	KGPS-14RF	2	27190802	
A015	HOLDER	KGPS-14RF	1	27190802	
A017	HOLDER	KGLS-16S	1	27190607	
A019	HOLDER	KGPS-16RF	1	27190991	
A021	HOLDER	KGLS-22S	2	27190369	
A025	SCREW	4TTC+8C(3BC)SR	4	801658	
A030	HEAT SINK	(S)313	1	27160668	
A032	RETAINER	(HL)313	1	27142280	N
A034	RETAINER	(HR)313	1	27142279	N
A036	SCREW	3TTB+8B(3BC)	4	838430088GR	
A038	SCREW	3TTB+8B(3BC)	2	838430088GR	
A040	SCREW	3TTB+8B(3BC)	3	838430088GR	
A041	CLIP	CS-1U	1	27255004	
A042	SCREW	3TTB+8B(3BC)	2	838430088GR	
A043	SCREW	3TTB+8B(3CM)SR	1	801637	
A050	SCREW	3SMS8W.SW+14B(CU)	10	801634	
A054	SCREW	3TTB+8B(3BC)	1	838430088GR	
A055	TAPE	TAPE(CLOTH-8U)	1	29110082	
A056	BUSHING	S-RELIEF #2271	1	27300750	! <B MDC, MPP / S MPP>
A058	LABEL	(PT)	1	29363379-1	
A060	WIRE TIE	BSK-1	2	260208	
A071	RETAINER	(B)	1	27142141	
A073	SCREW	3TTB+8B(3BC)	3	838430088GR	

A101	REAR PANEL	309DC	1	27124220A	<B MDC>
A101	REAR PANEL	309PP	1	27124221B	<B MPP / S MPP>
A102	CUSHION	---	2	28141799	
A103	SCREW	3P+6FN(3BC)	4	82143006GR	<B MDC, MPP / S MPP>
A105	SCREW	3TTB+8B(3BC)	24	838430088GR	<B MDC, MPP / S MPP>
A112	TAPE	TAPE(CLOTH-16U)	1	29110083	
<b>[CABINET]</b>					
A201	F PANEL	TX-SR309(B)DC	1	27213420B	<B MDC>
A201	F PANEL	TX-SR309(B)PP	1	27213421B	<B MPP>
A201	F PANEL	TX-SR309(S)PP	1	27213422B	<S MPP>
A202	CLEAR PLT	TX-SR309 MDC	1	28192334B	<B MDC>
A202	CLEAR PLT	TX-SR309 MPP	1	28192335B	<B MPP>
A202	CLEAR PLT	TX-SR309(S)MPP	1	28192344B	<S MPP>
A207	BADGE	---	1	28135317	
A211	KNOB	(TONE)(B)	1	28326912	<B>
A211	KNOB	(TONE)(S)	1	28326913	<S>
A213	KNOB	(INP)(B)	1	28326908B	<B>
A213	KNOB	(INP)(S)	1	28326909B	<S>
A214	KNOB	(INP-LR)(B)	2	28326910B	<B>
A214	KNOB	(INP-LR)(S)	2	28326911B	<S>
A216	KNOB	(SEL)	1	28326906A	
A217	KNOB	(STBY)(B)	1	28326904	<B>
A217	KNOB	(STBY)(S)	1	28326905	<S>
A219	KNOB	(CUR)	1	28326907B	
A221	IB CUSHION	W15*3t TAPE	1	28141585	
A225	SCREW	2.6TTB+8B(3BC)	22	838426088GR	
A242	WIRE TIE	BSK-1	1	260208	
A254	WIRE TIE	BSK-1	8	260208	
A255	SCREW	3TTB+8B(3BC)	3	838430088GR	
A256	SCREW	3TTB+8B(3BC)	1	838430088GR	
A260	SCREW	3TTB+8B(3BC)	4	838430088GR	
A261	TAPE	TAPE(CLOTH-16U)	1	29110083	
A262	TAPE	TAPE(CLOTH-16U)	1	29110083	
A266	TAPE	TAPE(CLOTH-8U)	1	29110082	
A269	TAPE	TAPE(CLOTH-16U)	1	29110083	
A270	CUSHION	(FELT)t1x20x10	4	28141859	
A271	TAPE	TAPE(CLOTH-16U)	1	29110083	
A273	HOLDER	KGLS-4S	2	27190009	
A321	KNOB	(VOL)AS(B)	1	28326914	<B>

A321	KNOB	(VOL)AS(S)	1	28326915	<S>
A340	COVER	(B) (Bent)	1	28210089A	<B>
A340	COVER	(B) (Not Bent)	1	28210089AZ	<B>
A340	COVER	(S) (Bent)	1	28210090A	<S>
A340	COVER	(S) (Not Bent)	1	28210090AZ	<S>
A342	SCREW	3TTB+8B(3CM)SR	9	801637	<S>
A342	SCREW	3TTB+8B(3BC)	9	838430088GR	<B>
A360	LABEL	(COVER)	1	29390767	
A362	LABEL	HOOKUP-ONKYO	1	29363194	<B MDC>
<b>[TRANS COIL]</b>					
T901	P TRANS	NPT-1603D	1	2302008	! <B MDC>
T901	P TRANS	NPT-1603P	1	2302009	! <B MPP / S MPP>
<b>[SW TRM]</b>					
F6901	FUSE	8A-T/UL-ST2	1	252261GR	!
F6902	FUSE	8A-T/UL-ST2	1	252261GR	!
F901	FUSE	8A-UL/T-233	1	252329GR	! <B MDC>
F901 or	FUSE	8A-T/UL-ST2	(1)	252261GR	! <B MDC>
F901	FUSE	4A-SE-EAK FUSE	1	252077GR	! <B MPP / S MPP>
F901 or	FUSE	4A-SE-TL250V	(1)	252277GR	! <B MPP / S MPP>
F901E	LABEL	T4AL250V	1	29361732A	<B MPP / S MPP>
P101	FFC	NCFC7-091512	1	2047091512	
P2800	FFC	NCFC5-091012	1	2045091012	
P3101	SOCKET AS	NSAS-10P1924	1	2009991224UL	
P701	FFC	NCFC5-232212	1	2045232212	
P703	FFC	NCFC5-072512	1	2045072512	
P8001	FFC	NCFC5-211012	1	2045211012	
P8002	FFC	NCFC5-091512	1	2045091512	
P901	AC CORD	AS-UC-2	1	253368AYUN	! <B MDC>
P901 or	AC CORD	AS-UC-2	(1)	253368BLTK	! <B MDC>
P901	AC CORD	AS-CEE-2	1	253306VOL	! <B MPP / S MPP>
P901 or	AC CORD	AS-CEE-2	(1)	253374YUN	! <B MPP / S MPP>
<b>[TUNER UNIT]</b>					
U001	U0010 ~ U0016	BAAF-1133-1A *	1	1B258533-1A	N <MDC>
U0010	AUDIO INPUT PC BOARD ASS'Y	BAAF-1133-1A	1	1B2585133-1A	N <MDC>
U0011	DIGITAL INPUT PC BOARD ASS'Y	BADG-1134-1A	1	1B2585134-1A	N <MDC>
U0012	THERMAL SENSOR PC BOARD ASS'Y	BAETC-1135-1A	1	1B2585135-1A	N <MDC>
U0013	SPACER PC BOARD	BAETC-1136-1A	1	1B2585136-1A	N <MDC>
U0014	SEC TERMINAL PC BOARD ASS'Y	BAETC-1137-1A	1	1B2585137-1A	N <MDC>
U0015	FIX(FFC) PC BOARD	BAETC-1138-1A	1	1B2585138-1A	N <MDC>

U0016	POWER SUPPLY(-VP) PC BOARD ASS'Y	BAETC-1140-1A	1	1B2585140-1A	N <MDC>
<b>U001</b>	<b>U0010 ~ U0016</b>	<b>BAAF-1133-1B *</b>	<b>1</b>	<b>1B258533-1B</b>	<b>N &lt;MPP&gt;</b>
U0010	AUDIO INPUT PC BOARD ASS'Y	BAAF-1133-1B	1	1B2585133-1B	N <MPP>
U0011	DIGITAL INPUT PC BOARD ASS'Y	BADG-1134-1B	1	1B2585134-1B	N <MPP>
U0012	THERMAL SENSOR PC BOARD ASS'Y	BAETC-1135-1B	1	1B2585135-1B	N <MPP>
U0013	SPACER PC BOARD	BAETC-1136-1B	1	1B2585136-1B	N <MPP>
U0014	SEC TERMINAL PC BOARD ASS'Y	BAETC-1137-1B	1	1B2585137-1B	N <MPP>
U0015	FIX(FFC) PC BOARD	BAETC-1138-1B	1	1B2585138-1B	N <MPP>
U0016	POWER SUPPLY(-VP) PC BOARD ASS'Y	BAETC-1140-1B	1	1B2585140-1B	N <MPP>
<b>U002</b>	<b>U0020 x 2 pcs.</b>	<b>BACLA-1130-1A *</b>	<b>1</b>	<b>1B258530-1A</b>	<b>N</b>
U0020	DRIVER AMP PC BOARD ASS'Y	BACLA-1130-1A	1	1B2585130-1A	N
<b>U003</b>	<b>U0030 ~ U 0034</b>	<b>BADIS-0654-1J *</b>	<b>1</b>	<b>1B258554-1J</b>	<b>N &lt;MDC&gt;</b>
U0030	DISPLAY PC BOARD ASS'Y	BADIS-0654-1J	1	1B2585654-1J	N <MDC>
U0031	DISPLAY PC BOARD ASS'Y	BADIS-0655-1J	1	1B2585655-1J	N <MDC>
U0032	VIDEO PC BOARD ASS'Y	BAVD-0656-1J	1	1B2585656-1J	N <MDC>
U0033	PHONE JACK PC BOARD ASS'Y	BAETC-0658-1J	1	1B2585658-1J	N <MDC>
U0034	POWER SUPPLY PC BOARD ASS'Y	BAPS-0659-1J	1	1B2585659-1J	N <MDC>
<b>U003</b>	<b>U0030 ~ U 0034</b>	<b>BADIS-0654-1K *</b>	<b>1</b>	<b>1B258554-1K</b>	<b>N &lt;MPP&gt;</b>
U0030	DISPLAY PC BOARD ASS'Y	BADIS-0654-1K	1	1B2585654-1K	N <MPP>
U0031	DISPLAY PC BOARD ASS'Y	BADIS-0655-1K	1	1B2585655-1K	N <MPP>
U0032	VIDEO PC BOARD ASS'Y	BAVD-0656-1K	1	1B2585656-1K	N <MPP>
U0033	PHONE JACK PC BOARD ASS'Y	BAETC-0658-1K	1	1B2585658-1K	N <MPP>
U0034	POWER SUPPLY PC BOARD ASS'Y	BAPS-0659-1K	1	1B2585659-1K	N <MPP>
<b>U004</b>	<b>U0040 x 2 pcs.</b>	<b>BAHDM-0678-1A *</b>	<b>1</b>	<b>1B258578-1A</b>	<b>&lt;MDC&gt;</b>
U0040	HDMI PC BOARD ASS'Y	BAHDM-0678-1A	1	1B2585678-1A	<MDC>
<b>U004</b>	<b>U0040 x 2 pcs.</b>	<b>BAHDM-0678-1B *</b>	<b>1</b>	<b>1B258578-1B</b>	<b>&lt;MPP&gt;</b>
U0040	HDMI PC BOARD ASS'Y	BAHDM-0678-1B	1	1B2585678-1B	<MPP>
U010	TUNER UNIT	FAEH08-W01	1	240169A	<MDC>
U010	TUNER UNIT	KST-MW104MS1-S89	1	240172	<MPP>

TX-SR309(M2)

## PACKING PROCEDURES PARTS LIST

REF. NO.	PART NAME	DESCRIPTION	Q'TY	PART NO. (SN)	REMARKS
<b>[PACKING]</b>					
A601	PAD AS	(AS)309 L & R	1	29092570B	<B MDC, MPP / S MPP>
A601A	PAD	(L)309	1	29092571B	<B MDC, MPP / S MPP>
A601B	PAD	(R)309	1	29092572B	<B MDC, MPP / S MPP>
A605	POLY BAG	w850xd650	1	29100245	

A606	TAPE	(SEROHAN)NITTO NO.29	1	29110149	
A608	SHEET	---	1	29095906	<B MDC, MPP / S MPP>
A611	TAPE	(SEROHAN)NITTO NO.29	1	29110149	
A701	CARTON	309DC	1	29055197A	<B MDC, MPP / S MPP>
A704A	UPC LABEL	309BMDC	1	29391452	<B MDC>
A704A	EAN LABEL	309BMPP	1	29391453B	<B MPP>
A704A	EAN LABEL	309SMPP	1	29391454B	<S MPP>
A760	PP TAPE	W50 SBT-70	1	29110200	
<b>[ACCESSORY]</b>					
A672	POLY BAG	w250xd350	1	29100250A	<B MPP / S MPP>
A674	POLY BAG	D250xd300xW300(t0.04)	1	29100256A	
A676	TAPE	(SEROHAN)NITTO NO.29	1	29110149	
A801	INS MANUAL	En(TXSR309)	1	29400557A	<B MDC, MPP / S MPP>
A804	INS MANUAL	FrEs(TXSR309)	1	29400559A	<B MDC, MPP / S MPP>
A805	INS MANUAL	ItDe(TXSR309)	1	29400560A	<B MPP / S MPP>
A806	INS MANUAL	NISv(TXSR309)	1	29400561A	<B MPP / S MPP>
A811	INS MANUAL	En-QSS(TXSR309)	1	29400558	<B MDC, MPP / S MPP>
A826	INST SHEET	U11(2010_RIHD)	1	29355782A	<B MDC, MPP / S MPP>
A830	INST SHEET	WEEE	1	29355793A	<B MPP / S MPP>
A841	INST SHEET	(TX-SR309_USB)	1	29355830	
A855	REMO CON	RC-799M	1	24140799	
A858	ANT COIL	NMA-3057	1	232140	
A859	FM ANT AS	Type W	1	292191	
A860	LABEL	(SPCABLE)2009	1	29390881	
A861	BATTERY	R6/AA(UM-3)	2	3010194	<B MDC, MPP / S MPP>
A861 or	BATTERY	R6/AA(UM-3)	(2)	3010054	<B MDC, MPP / S MPP>
A885	WRNTY CARD	(ONKYO)	1	29365135	<B MDC>

TX-SR309(M2)

## PC BOARD PARTS LIST

<b>U001</b>	<b>U0010 ~ U0016</b>	<b>BAAF-1133-1A/ 1B *</b>
<b>U0010</b>	AUDIO INPUT PC BOARD ASS'Y	BAAF-1133-1A/ 1B
<b>U0011</b>	DIGITAL INPUT PC BOARD ASS'Y	BADG-1134-1A/ 1B
<b>U0012</b>	THERMAL SENSOR PC BOARD ASS'Y	BAETC-1135-1A/ 1B
<b>U0013</b>	SPACER PC BOARD	BAETC-1136-1A/ 1B
<b>U0014</b>	SEC TERMINAL PC BOARD ASS'Y	BAETC-1137-1A/ 1B
<b>U0015</b>	FIX(FFC) PC BOARD	BAETC-1138-1A/ 1B
<b>U0016</b>	POWER SUPPLY(-VP) PC BOARD ASS'Y	BAETC-1140-1A/ 1B

CIRCUIT NO.	PART NAME	DESCRIPTION	Q'TY	PART NO. (SN)	REMARKS
<b>[SEMI CONDUCTOR]</b>					
D131	C-DIODE	DA2J10100	1	223303R2	
D131 or	C-DIODE	KDS4148U	(1)	223283R2	
D132	C-DIODE	DA2J10100	1	223303R2	
D132 or	C-DIODE	KDS4148U	(1)	223283R2	
D4171	ZENER D	HZS7B1	1	224860680T	N
D4171 or	ZENER D	MTZJ6.8B	(1)	224470682T	
D4172	ZENER D	HZS7B1	1	224860680T	N
D4172 or	ZENER D	MTZJ6.8B	(1)	224470682T	
D4300	DIODE	RL1N4003	1	22380260T	
D4300 or	DIODE	GP104003E	(1)	22380035T	
D4301	DIODE	RL1N4003	1	22380260T	
D4301 or	DIODE	GP104003E	(1)	22380035T	
D4302	DIODE	RL1N4003	1	22380260T	
D4302 or	DIODE	GP104003E	(1)	22380035T	
D4303	DIODE	RL1N4003	1	22380260T	
D4303 or	DIODE	GP104003E	(1)	22380035T	
D4304	C-DIODE	DA2J10100	1	223303R2	
D4304 or	C-DIODE	1SS352	(1)	223234R2	
D4304 or	C-DIODE	1SS355	(1)	223269R2	
D4304 or	C-DIODE	MA2J111	(1)	223279R2	
D4304 or	C-DIODE	KDS4148U	(1)	223283R2	
D4305	C-DIODE	DA2J10100	1	223303R2	
D4305 or	C-DIODE	1SS352	(1)	223234R2	
D4305 or	C-DIODE	1SS355	(1)	223269R2	
D4305 or	C-DIODE	MA2J111	(1)	223279R2	
D4305 or	C-DIODE	KDS4148U	(1)	223283R2	
D4400	ZENER D	DZ2J056M0L	1	224760560R2	
D4400 or	ZENER D	UDZS5.6B	(1)	224550560R2	
D6000	C-DIODE	DA2J10100	1	223303R2	
D6000 or	C-DIODE	1SS352	(1)	223234R2	
D6000 or	C-DIODE	1SS355	(1)	223269R2	
D6000 or	C-DIODE	MA2J111	(1)	223279R2	
D6000 or	C-DIODE	KDS4148U	(1)	223283R2	
D6001	C-DIODE	DA2J10100	1	223303R2	
D6001 or	C-DIODE	1SS352	(1)	223234R2	
D6001 or	C-DIODE	1SS355	(1)	223269R2	

D6001 or	C-DIODE	MA2J111	(1)	223279R2
D6001 or	C-DIODE	KDS4148U	(1)	223283R2
D6002	C-DIODE	DA2J10100	1	223303R2
D6002 or	C-DIODE	ISS352	(1)	223234R2
D6002 or	C-DIODE	ISS355	(1)	223269R2
D6002 or	C-DIODE	MA2J111	(1)	223279R2
D6002 or	C-DIODE	KDS4148U	(1)	223283R2
D6003	C-DIODE	DA2J10100	1	223303R2
D6003 or	C-DIODE	ISS352	(1)	223234R2
D6003 or	C-DIODE	ISS355	(1)	223269R2
D6003 or	C-DIODE	MA2J111	(1)	223279R2
D6003 or	C-DIODE	KDS4148U	(1)	223283R2
D6004	C-DIODE	DA2J10100	1	223303R2
D6004 or	C-DIODE	ISS352	(1)	223234R2
D6004 or	C-DIODE	ISS355	(1)	223269R2
D6004 or	C-DIODE	MA2J111	(1)	223279R2
D6004 or	C-DIODE	KDS4148U	(1)	223283R2
D6051	C-DIODE	DA2J10100	1	223303R2
D6051 or	C-DIODE	ISS352	(1)	223234R2
D6051 or	C-DIODE	ISS355	(1)	223269R2
D6051 or	C-DIODE	MA2J111	(1)	223279R2
D6051 or	C-DIODE	KDS4148U	(1)	223283R2
D6052	C-DIODE	DA2J10100	1	223303R2
D6052 or	C-DIODE	ISS352	(1)	223234R2
D6052 or	C-DIODE	ISS355	(1)	223269R2
D6052 or	C-DIODE	MA2J111	(1)	223279R2
D6052 or	C-DIODE	KDS4148U	(1)	223283R2
D6053	C-DIODE	DA2J10100	1	223303R2
D6053 or	C-DIODE	ISS352	(1)	223234R2
D6053 or	C-DIODE	ISS355	(1)	223269R2
D6053 or	C-DIODE	MA2J111	(1)	223279R2
D6053 or	C-DIODE	KDS4148U	(1)	223283R2
D6055	C-DIODE	DA2J10100	1	223303R2
D6055 or	C-DIODE	ISS352	(1)	223234R2
D6055 or	C-DIODE	ISS355	(1)	223269R2
D6055 or	C-DIODE	MA2J111	(1)	223279R2
D6055 or	C-DIODE	KDS4148U	(1)	223283R2
D6401	DIODE	D5SBA60	1	22380070
D6401A	HEAT SINK	RAD-083	1	27160271



D6401C	SCREW	3P+10FN(3BC)	1	82143010GR
D6402	C-DIODE	DA2J10100	1	223303R2
D6402 or	C-DIODE	1SS352	(1)	223234R2
D6402 or	C-DIODE	1SS355	(1)	223269R2
D6402 or	C-DIODE	MA2J111	(1)	223279R2
D6402 or	C-DIODE	KDS4148U	(1)	223283R2
D6403	C-DIODE	DA2J10100	1	223303R2
D6403 or	C-DIODE	1SS352	(1)	223234R2
D6403 or	C-DIODE	1SS355	(1)	223269R2
D6403 or	C-DIODE	MA2J111	(1)	223279R2
D6403 or	C-DIODE	KDS4148U	(1)	223283R2
D6451	C-DIODE	KDS4148U	1	223283R2
D6451 or	C-DIODE	1SS352	(1)	223234R2
D6451 or	C-DIODE	MA2J111	(1)	223279R2
D6452	C-DIODE	KDS4148U	1	223283R2
D6452 or	C-DIODE	1SS352	(1)	223234R2
D6452 or	C-DIODE	MA2J111	(1)	223279R2
D6455	ZENER D	UDZS3.3B	1	224550330R2
D960	DIODE	RL1N4003	1	22380260T
D961	DIODE	RL1N4003	1	22380260T
D964	ZENER D	DZ2J360M0L	1	224763600R2
D964 or	ZENER D	UDZS36B	(1)	224553600R2
D965	DIODE	RL1N4003	1	22380260T
D965 or	DIODE	GP104003E	(1)	22380035T
D966	DIODE	RL1N4003	1	22380260T
D966 or	DIODE	GP104003E	(1)	22380035T
Q131	IC	TC74HCU04AF	1	222740046R2TO
Q4001	IC	R2A15218FP	1	22242605R3
Q4003	IC	NJM4580M-D	1	22241448R2
Q4100	TR	RN1441	1	2215410R2
Q4101	TR	RN1441	1	2215410R2
Q4102	TR	RN1441	1	2215410R2
Q4103	TR	RN1441	1	2215410R2
Q4104	TR	RN1441	1	2215410R2
Q4107	TR	RN1441	1	2215410R2
Q4117	TR	RN1441	1	2215410R2
Q4130	IC	NJM4580M-D	1	22241448R2
Q4140	IC	NJM4580M-D	1	22241448R2
Q4142	IC	NJM4580M-D	1	22241448R2

Q4143	IC	NJM4580M-D	1	22241448R2
Q4170	IC	78M12HF(NJM78M12FA)	1	222780125JRC
Q4170 or	IC	78M12(AN78M12F)	(1)	222780125MAT
Q4170 or	IC	MPC78M12AHF-AZ	(1)	222780125NEC
Q4170A	HEAT-SINK	HEAT-SINK(RAD-68)	1	27160211
Q4170B	SCREW	3P+10FN(3BC)	1	82143010GR
Q4171	IC	79M12HF(NJM79M12FA)	1	222790125JRC
Q4171 or	IC	79M12F(AN79M12F)	(1)	222790125MAT
Q4171 or	IC	79M12HF(MPC79M12HF)	(1)	222790125NEC
Q4171A	HEAT-SINK	HEAT-SINK(RAD-68)	1	27160211
Q4171B	SCREW	3P+10FN(3BC)	1	82143010GR
Q4400	IC	NJM4580M-D	1	22241448R2
Q4401	TR	2SC2235-Y(TPE6_F)	1	2211654T
Q6000	TR	2SC1740S-S	1	2213285T
Q6001	TR	2SC1740S-S	1	2213285T
Q6002	TR	2SC1740S-S	1	2213285T
Q6003	TR	2SC1740S-S	1	2213285T
Q6004	TR	2SC1740S-S	1	2213285T
Q6070	TR	2SC2229-Y(TPE6_F)	1	2211634T
Q6071	TR	2SC2229-Y(TPE6_F)	1	2211634T
Q6072	TR	2SC2229-Y(TPE6_F)	1	2211634T
Q6073	TR	2SC2229-Y(TPE6_F)	1	2211634T
Q6074	TR	2SC2229-Y(TPE6_F)	1	2211634T
Q6380	IC	LM61CIZ	1	22242212
Q6380A	RETAINER	(PTH)	1	27141884-1
Q6407	TR	KTC3875-GR	1	2216175R2
Q6407 or	TR	2SC2712-GR	(1)	2213145R2
Q6408	TR	KRC105S	1	2217290R2
Q6408 or	TR	RN1405	(1)	2214500R2
Q6408 or	TR	DTC123JKA	(1)	2216690R2
Q6451	TR	KTC3875-GR	1	2216175R2
Q6451 or	TR	2SC2712-GR	(1)	2213145R2
Q6452	TR	KTC3875-GR	1	2216175R2
Q6452 or	TR	2SC2712-GR	(1)	2213145R2
Q6453	TR	2SA1163-BL(TE85L_F)	1	2216756R2
Q6454	TR	2SA1163-BL(TE85L_F)	1	2216756R2
Q6601	TR	KRC105S	1	2217290R2
Q6601 or	TR	RN1405	(1)	2214500R2
Q6601 or	TR	DTC123JKA	(1)	2216690R2

Q6602	TR	KRC105S	1	2217290R2	
Q6602 or	TR	RN1405	(1)	2214500R2	
Q6602 or	TR	DTC123JKA	(1)	2216690R2	
Q6604	TR	KRC105S	1	2217290R2	
Q6604 or	TR	RN1405	(1)	2214500R2	
Q6604 or	TR	DTC123JKA	(1)	2216690R2	
Q960	TR	2SC2235-Y(TPE6_F)	1	2211654T	
Q960 or	TR	2SC2235-O(TPE6_F)	(1)	2211653T	
<b>[TRANS COIL]</b>					
L131	CHOKE COIL	LBC2518T2R2M	1	231364M022R2	
L133	CHOKE COIL	LBC2518T470M	1	231364M470R2	
L134	CHOKE COIL	LBC2518T470M	1	231364M470R2	
L135	EMIFIL	BK1608HS102-T	1	230955R2	
L4001	CHOKE COIL	LBC2518T2R2M	1	231364M022R2	
L6000	S-COIL	SC-0.8X5.5X18.5T	1	231431S	<MPP>
L6001	S-COIL	SC-0.8X5.5X18.5T	1	231431S	<MPP>
L6002	S-COIL	SC-0.8X5.5X18.5T	1	231431S	<MPP>
L6003	S-COIL	SC-0.8X5.5X18.5T	1	231431S	<MPP>
L6004	S-COIL	SC-0.8X5.5X18.5T	1	231431S	<MPP>
<b>[CAPACITOR]</b>					
C130	C-CERA C	CK725F1E-104Z1	1	332161040R1	
C131	C-CERA C	CC725CH1H-101J1	1	342101014R1	
C133	C-CERA C	CK725B1C-104K1	1	332121045R1	
C135	C-CERA C	CC725CH1H-080D1	1	342100802R1	
C139	UTSP C	CE04W10V-220M(UTSP)	1	397532217T	
C140	C-CERA C	CK725F1E-104Z1	1	332161040R1	
C141	C-CERA C	CK725F1E-104Z1	1	332161040R1	
C142	C-CERA C	CK725F1E-104Z1	1	332161040R1	
C143	C-CERA C	CC725CH1H-330J1	1	342103304R1	
C144	C-CERA C	CC725CH1H-330J1	1	342103304R1	
C145	UTSP C	CE04W10V-220M(UTSP)	1	397532217T	
C4003	UPZ C	2AUPZTF221JE	1	376332214T	
C4004	UPZ C	2AUPZTF221JE	1	376332214T	
C4007	C-CERA C	CC725CH1H-221J1	1	342102214R1	
C4008	C-CERA C	CC725CH1H-221J1	1	342102214R1	
C4013	C-CERA C	CC725CH1H-221J1	1	342102214R1	
C4014	C-CERA C	CC725CH1H-221J1	1	342102214R1	
C4017	C-CERA C	CC725CH1H-221J1	1	342102214R1	
C4018	C-CERA C	CC725CH1H-221J1	1	342102214R1	

C4019	UPZ C	2AUPZTF221JE	1	376332214T
C4020	UPZ C	2AUPZTF221JE	1	376332214T
C4037	C-CERA C	CC725CH1H-221J1	1	342102214R1
C4050	UTSP C	CE04W25V-47M(UTSP)	1	397554707T
C4051	UTSP C	CE04W25V-47M(UTSP)	1	397554707T
C4052	UTSP C	CE04W25V-47M(UTSP)	1	397554707T
C4053	UTSP C	CE04W25V-47M(UTSP)	1	397554707T
C4054	UTSP C	CE04W25V-47M(UTSP)	1	397554707T
C4057	UTSP C	CE04W25V-47M(UTSP)	1	397554707T
C4060	UTSP C	CE04W50V 47M(UTSP)	1	397584707T
C4061	UTSP C	CE04W50V 47M(UTSP)	1	397584707T
C4062	TF C	ECQ-V50V-474J	1	374724744T
C4063	TF C	ECQ-V50V-823J	1	374728234T
C4064	TF C	ECQ-V50V-223J	1	374722234T
C4065	TF C	ECQ-V50V-474J	1	374724744T
C4066	TF C	ECQ-V50V-823J	1	374728234T
C4067	TF C	ECQ-V50V-223J	1	374722234T
C4070	UTSP C	CE04W50V 47M(UTSP)	1	397584707T
C4071	UTSP C	CE04W50V 47M(UTSP)	1	397584707T
C4072	UTSP C	CE04W50V 47M(UTSP)	1	397584707T
C4073	UTSP C	CE04W50V 47M(UTSP)	1	397584707T
C4074	UTSP C	CE04W50V 47M(UTSP)	1	397584707T
C4077	UTSP C	CE04W50V 47M(UTSP)	1	397584707T
C4085	UTSP C	CE04W25V-47M(UTSP)	1	397554707T
C4086	UTSP C	CE04W25V-47M(UTSP)	1	397554707T
C4090	C-CERA C	CC725CH1H-101J1	1	342101014R1
C4091	C-CERA C	CC725CH1H-101J1	1	342101014R1
C4100	UTSP C	CE04W50V 47M(UTSP)	1	397584707T
C4101	UTSP C	CE04W50V 47M(UTSP)	1	397584707T
C4102	UTSP C	CE04W50V 47M(UTSP)	1	397584707T
C4103	UTSP C	CE04W50V 47M(UTSP)	1	397584707T
C4104	UTSP C	CE04W50V 47M(UTSP)	1	397584707T
C4107	UTSP C	CE04W50V 47M(UTSP)	1	397584707T
C4110	UTSP C	CE04W25V-220M(UTSP)	1	397552217T
C4111	UTSP C	CE04W25V-220M(UTSP)	1	397552217T
C4130	UTSP C	CE04W50V 47M(UTSP)	1	397584707T
C4131	C-CERA C	CC725CH1H-221J1	1	342102214R1
C4132	TF C	ECQ-V50V-103J	1	374721034T
C4166	UTSP C	CE04W25V-220M(UTSP)	1	397552217T

C4167	UTSP C	CE04W25V-220M(UTSP)	1	397552217T
C4170	UTSP C	CE04W50V-1M(UTSP)	1	397580107T
C4171	UTSP C	CE04W50V-1M(UTSP)	1	397580107T
C4172	UTSP C	CE04W25V-220M(UTSP)	1	397552217T
C4173	UTSP C	CE04W25V-220M(UTSP)	1	397552217T
C4186	UTSP C	CE04W16V-470M(UTSP)	1	397544717T
C4187	UTSP C	CE04W16V-470M(UTSP)	1	397544717T
C4204	C-CERA C	CC725CH1H-102J1	1	342101024R1
C4205	C-CERA C	CC725CH1H-102J1	1	342101024R1
C4208	C-CERA C	CK725B1H-103K1	1	332101035R1
C4209	UTSP C	CE04W25V-47M(UTSP)	1	397554707T
C4210	UTSP C	CE04W25V-47M(UTSP)	1	397554707T
C4300	TF C	ECQ-V50V-334J	1	374723344T
C4301	VR C	CE04W35V-1000M(VR)	1	394661027S
C4301 or	JAMICON	CE04W35V-1000M	(1)	398561027T
C4302	VR C	CE04W35V-470M(VR)	1	394664717T
C4302 or	JAMICON	CE04W35V-470M	(1)	398564717T
C4402	UTSP C	CE04W25V-47M(UTSP)	1	397554707T
C4403	UTSP C	CE04W25V-47M(UTSP)	1	397554707T
C4404	UTSP C	CE04W25V-47M(UTSP)	1	397554707T
C4405	UTSP C	CE04W25V-47M(UTSP)	1	397554707T
C4406	UTSP C	CE04W25V-47M(UTSP)	1	397554707T
C4407	UTSP C	CE04W25V-47M(UTSP)	1	397554707T
C4408	C-CERA C	CK725F1E-104Z1	1	332161040R1
C4409	C-CERA C	CK725F1E-104Z1	1	332161040R1
C4410	C-CERA C	CC725CH1H-681J1	1	342106814R1
C4411	C-CERA C	CC725CH1H-681J1	1	342106814R1
C4412	C-CERA C	CK725F1A-105Z1	1	332181050R1
C4413	C-CERA C	CK725F1A-105Z1	1	332181050R1
C4414	C-CERA C	CK725F1A-105Z1	1	332181050R1
C4415	C-CERA C	CK725F1A-105Z1	1	332181050R1
C4416	C-CERA C	CC725CH1H-101J1	1	342101014R1
C4417	C-CERA C	CC725CH1H-101J1	1	342101014R1
C4420	MKT C	B32529C0332J289	1	376493324T
C4421	MKT C	B32529C0332J289	1	376493324T
C4422	MKT C	B32529C0332J289	1	376493324T
C4423	MKT C	B32529C0332J289	1	376493324T
C4424	MKT C	B32529C0332J289	1	376493324T
C4427	TF C	ECQ-V50V-333J	1	374723334T

C4430	UPZ C	2AUPZTF151JE	1	376331514T
C4431	UPZ C	2AUPZTF151JE	1	376331514T
C4432	UPZ C	2AUPZTF151JE	1	376331514T
C4433	C-CERA C	CC725CH1H-151J1	1	342101514R1
C4434	C-CERA C	CC725CH1H-151J1	1	342101514R1
C4437	MKT C	B32529C0102J289	1	376491024T
C6050	TF C	ECQ-V50V-103J	1	374721034T
C6051	TF C	ECQ-V50V-103J	1	374721034T
C6052	TF C	ECQ-V50V-103J	1	374721034T
C6053	TF C	ECQ-V50V-103J	1	374721034T
C6054	TF C	ECQ-V50V-103J	1	374721034T
C6070	TF C	ECQ-V50V-103J	1	374721034T
C6071	TF C	ECQ-V50V-103J	1	374721034T
C6072	TF C	ECQ-V50V-103J	1	374721034T
C6073	TF C	ECQ-V50V-103J	1	374721034T
C6074	TF C	ECQ-V50V-103J	1	374721034T
C6080	MKT C	B32529C0102J289	1	376491024T
C6081	MKT C	B32529C0102J289	1	376491024T
C6082	MKT C	B32529C0102J289	1	376491024T
C6083	MKT C	B32529C0102J289	1	376491024T
C6084	MKT C	B32529C0102J289	1	376491024T
C6088	MKT C	B32529C0102J289	1	376491024T
C6089	MKT C	B32529C0102J289	1	376491024T
C6111	C-CERA C	CC725CH1H-102J1	1	342101024R1
C6112	C-CERA C	CC725CH1H-102J1	1	342101024R1
C6113	C-CERA C	CC725CH1H-102J1	1	342101024R1
C6115	C-CERA C	CC725CH1H-102J1	1	342101024R1
C6250	TF C	ECQ-V50V-473J	1	374724734T
C6251	TF C	ECQ-V50V-473J	1	374724734T
C6252	TF C	ECQ-V50V-473J	1	374724734T
C6253	TF C	ECQ-V50V-473J	1	374724734T
C6254	TF C	ECQ-V50V-473J	1	374724734T
C6401	ELECT C	CE69W56V-8200MB	1	3504416
C6402	ELECT C	CE69W56V-8200MB	1	3504416
C6411	C-CERA C	CC725CH1H-102J1	1	342101024R1
C6412	TF C	ECQ-V50V-334J	1	374723344T
C6413	TF C	ECQ-V50V-334J	1	374723344T
C6417	C-CERA C	CC725CH1H-102J1	1	342101024R1
C6451	UTSP C	CE04W25V-100M(UTSP)	1	397551017T

C6452	C-CERA C	CK725F1E-104Z1	1	332161040R1
C6453	UTSP C	CE04W50V-1M(UTSP)	1	397580107T
C6454	UTSP C	CE04W50V-1M(UTSP)	1	397580107T
C6455	C-CERA C	CK725F1E-104Z1	1	332161040R1
C6456	UTSP C	CE04W50V-10M(UTSP)	1	397581007T
C6630	C-CERA C	CK725F1E-104Z1	1	332161040R1
C950	TF C	ECQ-V50V-104J	1	374721044T
C960	VR C	CE04W63V-220M(VR)	1	394672217T
C960 or	JAMICON	CE04W63V-220M	(1)	398572217T
C961	UTSP C	CE04W50V 47M(UTSP)	1	397584707T
C962	TF C	ECQ-V50V-104J	1	374721044T
C963	UTSP C	CE04W50V 47M(UTSP)	1	397584707T
<b>[RESISTOR]</b>				
R131	C-CARBON R	RN72K1J-750JE	1	435037504R1
R133	C-CARBON R	RN72K1J-100JE	1	435031004R1
R137	C-CARBON R	RN72K1J-103JE	1	435031034R1
R139	C-CARBON R	RN72K1J-823JE	1	435038234R1
R141	C-CARBON R	RN72K1J-470JE	1	435034704R1
R142	C-CARBON R	RN72K1J-470JE	1	435034704R1
R4000	C-CARBON R	RN72K1J-331JE	1	435033314R1
R4001	METAL O R	RS1WBJ-10	1	443621004T
R4003	C-CARBON R	RN72K1J-331JE	1	435033314R1
R4004	C-CARBON R	RN72K1J-331JE	1	435033314R1
R4005	METAL O R	RS1WBJ-15	1	443621504T
R4006	METAL O R	RS1WBJ-15	1	443621504T
R4007	C-CARBON R	RN72K1J-331JE	1	435033314R1
R4008	C-CARBON R	RN72K1J-331JE	1	435033314R1
R4013	C-CARBON R	RN72K1J-331JE	1	435033314R1
R4014	C-CARBON R	RN72K1J-331JE	1	435033314R1
R4015	C-CARBON R	RN72K1J-222JE	1	435032224R1
R4016	C-CARBON R	RN72K1J-222JE	1	435032224R1
R4017	C-CARBON R	RN72K1J-331JE	1	435033314R1
R4018	C-CARBON R	RN72K1J-331JE	1	435033314R1
R4019	C-CARBON R	RN72K1J-331JE	1	435033314R1
R4020	C-CARBON R	RN72K1J-331JE	1	435033314R1
R4023	C-CARBON R	RN72K1J-000JE	1	435030004R1
R4027	C-CARBON R	RN72K1J-223JE	1	435032234R1
R4029	C-CARBON R	RN72K1J-101JE	1	435031014R1
R4043	C-CARBON R	RN72K1J-104JE	1	435031044R1

R4044	C-CARBON R	RN72K1J-104JE	1	435031044R1
R4047	C-CARBON R	RN72K1J-104JE	1	435031044R1
R4048	C-CARBON R	RN72K1J-104JE	1	435031044R1
R4053	C-CARBON R	RN72K1J-104JE	1	435031044R1
R4054	C-CARBON R	RN72K1J-104JE	1	435031044R1
R4055	C-CARBON R	RN72K1J-224JE	1	435032244R1
R4056	C-CARBON R	RN72K1J-224JE	1	435032244R1
R4057	C-CARBON R	RN72K1J-104JE	1	435031044R1
R4058	C-CARBON R	RN72K1J-104JE	1	435031044R1
R4059	C-CARBON R	RN72K1J-104JE	1	435031044R1
R4060	C-CARBON R	RN72K1J-104JE	1	435031044R1
R4067	C-CARBON R	RN72K1J-104JE	1	435031044R1
R4068	C-CARBON R	RN72K1J-104JE	1	435031044R1
R4078	C-CARBON R	RN72K1J-473JE	1	435034734R1
R4079	C-CARBON R	RN72K1J-473JE	1	435034734R1
R4082	C-CARBON R	RN72K1J-104JE	1	435031044R1
R4085	C-CARBON R	RN72K1J-182JE	1	435031824R1
R4086	C-CARBON R	RN72K1J-182JE	1	435031824R1
R4087	C-CARBON R	RN72K1J-222JE	1	435032224R1
R4088	C-CARBON R	RN72K1J-222JE	1	435032224R1
R4089	C-CARBON R	RN72K1J-000JE	1	435030004R1
R4090	C-CARBON R	RN72K1J-123JE	1	435031234R1
R4091	C-CARBON R	RN72K1J-223JE	1	435032234R1
R4092	C-CARBON R	RN72K1J-331JE	1	435033314R1
R4093	C-CARBON R	RN72K1J-332JE	1	435033324R1
R4094	C-CARBON R	RN72K1J-103JE	1	435031034R1
R4095	C-CARBON R	RN72K1J-103JE	1	435031034R1
R4096	C-CARBON R	RN72K1J-331JE	1	435033314R1
R4097	C-CARBON R	RN72K1J-332JE	1	435033324R1
R4098	C-CARBON R	RN72K1J-123JE	1	435031234R1
R4099	C-CARBON R	RN72K1J-223JE	1	435032234R1
R4100	C-CARBON R	RN72K1J-224JE	1	435032244R1
R4101	C-CARBON R	RN72K1J-224JE	1	435032244R1
R4102	C-CARBON R	RN72K1J-224JE	1	435032244R1
R4103	C-CARBON R	RN72K1J-224JE	1	435032244R1
R4104	C-CARBON R	RN72K1J-224JE	1	435032244R1
R4107	C-CARBON R	RN72K1J-224JE	1	435032244R1
R4110	C-CARBON R	RN72K1J-222JE	1	435032224R1
R4111	C-CARBON R	RN72K1J-222JE	1	435032224R1



R4112	C-CARBON R	RN72K1J-222JE	1	435032224R1
R4113	C-CARBON R	RN72K1J-222JE	1	435032224R1
R4114	C-CARBON R	RN72K1J-222JE	1	435032224R1
R4117	C-CARBON R	RN72K1J-271JE	1	435032714R1
R4127	C-CARBON R	RN72K1J-101JE	1	435031014R1
R4130	C-CARBON R	RN72K1J-221JE	1	435032214R1
R4131	C-CARBON R	RN72K1J-473JE	1	435034734R1
R4132	C-CARBON R	RN72K1J-153JE	1	435031534R1
R4133	C-CARBON R	RN72K1J-122JE	1	435031224R1
R4134	C-CARBON R	RN72K1J-103JE	1	435031034R1
R4160	METAL R	RNU1WCJ-0.22	1	453632294T
R4161	METAL R	RNU1WCJ-0.22	1	453632294T
R4166	C-CARBON R	RN72K1J-220JE	1	435032204R1
R4167	C-CARBON R	RN72K1J-220JE	1	435032204R1
R4174	METAL O R	RS1WBJ-68	1	443626804T
R4175	METAL O R	RS1WBJ-68	1	443626804T
R4176	METAL O R	RS1WBJ-15	1	443621504T
R4177	METAL O R	RS1WBJ-15	1	443621504T
R4181	C-CARBON R	RN72K1J-224JE	1	435032244R1
R4189	C-CARBON R	RN72K1J-473JE	1	435034734R1
R4190	C-CARBON R	RN72K1J-473JE	1	435034734R1
R4192	C-CARBON R	RN72K1J-224JE	1	435032244R1
R4193	C-CARBON R	RN72K1J-224JE	1	435032244R1
R4194	C-CARBON R	RN72K1J-224JE	1	435032244R1
R4200	C-CARBON R	RN72K1J-220JE	1	435032204R1
R4201	C-CARBON R	RN72K1J-220JE	1	435032204R1
R4400	C-CARBON R	RN72K1J-223JE	1	435032234R1
R4401	C-CARBON R	RN72K1J-223JE	1	435032234R1
R4402	C-CARBON R	RN72K1J-333JE	1	435033334R1
R4403	C-CARBON R	RN72K1J-333JE	1	435033334R1
R4404	C-CARBON R	RN72K1J-223JE	1	435032234R1
R4405	C-CARBON R	RN72K1J-223JE	1	435032234R1
R4406	C-CARBON R	RN72K1J-273JE	1	435032734R1
R4407	C-CARBON R	RN72K1J-273JE	1	435032734R1
R4408	C-CARBON R	RN72K1J-331JE	1	435033314R1
R4409	C-CARBON R	RN72K1J-331JE	1	435033314R1
R4410	C-CARBON R	RN72K1J-104JE	1	435031044R1
R4411	C-CARBON R	RN72K1J-104JE	1	435031044R1
R4412	C-CARBON R	RN72K1J-220JE	1	435032204R1

R4413	C-CARBON R	RN72K1J-220JE	1	435032204R1
R4414	C-CARBON R	RN72K1J-220JE	1	435032204R1
R4415	C-CARBON R	RN72K1J-220JE	1	435032204R1
R4416	C-CARBON R	RN72K1J-471JE	1	435034714R1
R4417	C-CARBON R	RN72K1J-333JE	1	435033334R1
R4419	C-CARBON R	RN72K1J-000JE	1	435030004R1
R4420	C-CARBON R	RN72K1J-472JE	1	435034724R1
R4421	C-CARBON R	RN72K1J-472JE	1	435034724R1
R4422	C-CARBON R	RN72K1J-472JE	1	435034724R1
R4423	C-CARBON R	RN72K1J-472JE	1	435034724R1
R4424	C-CARBON R	RN72K1J-472JE	1	435034724R1
R4427	C-CARBON R	RN72K1J-472JE	1	435034724R1
R4430	C-CARBON R	RN72K1J-153JE	1	435031534R1
R4431	C-CARBON R	RN72K1J-153JE	1	435031534R1
R4432	C-CARBON R	RN72K1J-153JE	1	435031534R1
R4433	C-CARBON R	RN72K1J-153JE	1	435031534R1
R4434	C-CARBON R	RN72K1J-153JE	1	435031534R1
R4437	C-CARBON R	RN72K1J-153JE	1	435031534R1
R4440	C-CARBON R	RN72K1J-331JE	1	435033314R1
R4441	C-CARBON R	RN72K1J-331JE	1	435033314R1
R4442	C-CARBON R	RN72K1J-331JE	1	435033314R1
R4443	C-CARBON R	RN72K1J-331JE	1	435033314R1
R4444	C-CARBON R	RN72K1J-331JE	1	435033314R1
R4447	C-CARBON R	RN72K1J-331JE	1	435033314R1
R4450	C-CARBON R	RN72K1J-561JE	1	435035614R1
R4451	C-CARBON R	RN72K1J-561JE	1	435035614R1
R4452	C-CARBON R	RN72K1J-561JE	1	435035614R1
R4453	C-CARBON R	RN72K1J-561JE	1	435035614R1
R4454	C-CARBON R	RN72K1J-561JE	1	435035614R1
R4457	C-CARBON R	RN72K1J-561JE	1	435035614R1
R4601	C-CARBON R	RN72K1J-471JE	1	435034714R1
R4602	C-CARBON R	RN72K1J-000JE	1	435030004R1
R6080	NF CARBON R	R25J-0.22	1	415472294T
R6081	NF CARBON R	R25J-0.22	1	415472294T
R6082	NF CARBON R	R25J-0.22	1	415472294T
R6083	NF CARBON R	R25J-0.22	1	415472294T
R6084	NF CARBON R	R25J-0.22	1	415472294T
R6090	NF CARBON R	R25J-0.22	1	415472294T
R6091	NF CARBON R	R25J-0.22	1	415472294T

R6092	NF CARBON R	R25J-0.22	1	415472294T
R6093	NF CARBON R	R25J-0.22	1	415472294T
R6094	NF CARBON R	R25J-0.22	1	415472294T
R6100	METAL PR	MPR2W+2W 0R22	1	4000234
R6100 or	METAL P R	RF-2EGPJR22	(1)	4000243
R6101	METAL PR	MPR2W+2W 0R22	1	4000234
R6101 or	METAL P R	RF-2EGPJR22	(1)	4000243
R6102	METAL PR	MPR2W+2W 0R22	1	4000234
R6102 or	METAL P R	RF-2EGPJR22	(1)	4000243
R6103	METAL PR	MPR2W+2W 0R22	1	4000234
R6103 or	METAL P R	RF-2EGPJR22	(1)	4000243
R6104	METAL PR	MPR2W+2W 0R22	1	4000234
R6104 or	METAL P R	RF-2EGPJR22	(1)	4000243
R6140	C-CARBON R	RN72K1J-563JE	1	435035634R1
R6141	C-CARBON R	RN72K1J-563JE	1	435035634R1
R6142	C-CARBON R	RN72K1J-563JE	1	435035634R1
R6143	C-CARBON R	RN72K1J-563JE	1	435035634R1
R6144	C-CARBON R	RN72K1J-563JE	1	435035634R1
R6150	C-CARBON R	RN72K1J-103JE	1	435031034R1
R6151	C-CARBON R	RN72K1J-103JE	1	435031034R1
R6152	C-CARBON R	RN72K1J-103JE	1	435031034R1
R6153	C-CARBON R	RN72K1J-103JE	1	435031034R1
R6154	C-CARBON R	RN72K1J-103JE	1	435031034R1
R6160	CARBON R	R16J-33K	1	417343334T
R6161	CARBON R	R16J-33K	1	417343334T
R6162	CARBON R	R16J-33K	1	417343334T
R6163	CARBON R	R16J-33K	1	417343334T
R6164	CARBON R	R16J-33K	1	417343334T
R6170	CARBON R	R16J-47K	1	417344734T
R6171	CARBON R	R16J-47K	1	417344734T
R6172	CARBON R	R16J-47K	1	417344734T
R6173	CARBON R	R16J-47K	1	417344734T
R6174	CARBON R	R16J-47K	1	417344734T
R6180	CARBON R	R16J-47K	1	417344734T
R6181	CARBON R	R16J-47K	1	417344734T
R6182	CARBON R	R16J-47K	1	417344734T
R6183	CARBON R	R16J-47K	1	417344734T
R6184	CARBON R	R16J-47K	1	417344734T
R6200	C-CARBON R	RN72K1J-562JE	1	435035624R1

R6201	C-CARBON R	RN72K1J-562JE	1	435035624R1	
R6202	C-CARBON R	RN72K1J-562JE	1	435035624R1	
R6203	C-CARBON R	RN72K1J-562JE	1	435035624R1	
R6204	C-CARBON R	RN72K1J-562JE	1	435035624R1	
R6210	C-CARBON R	RN72K1J-392JE	1	435033924R1	
R6211	C-CARBON R	RN72K1J-392JE	1	435033924R1	
R6212	C-CARBON R	RN72K1J-392JE	1	435033924R1	
R6213	C-CARBON R	RN72K1J-392JE	1	435033924R1	
R6214	C-CARBON R	RN72K1J-392JE	1	435033924R1	
R6230	C-CARBON R	RN72K1J-471JE	1	435034714R1	
R6231	C-CARBON R	RN72K1J-471JE	1	435034714R1	
R6232	C-CARBON R	RN72K1J-471JE	1	435034714R1	
R6233	C-CARBON R	RN72K1J-471JE	1	435034714R1	
R6234	C-CARBON R	RN72K1J-471JE	1	435034714R1	
R6300	C-CARBON R	RN72K1J-000JE	1	435030004R1	
R6301	C-CARBON R	RN72K1J-000JE	1	435030004R1	
R6305	C-CARBON R	RN72K1J-000JE	1	435030004R1	
R6402	C-CARBON R	RN72K1J-102JE	1	435031024R1	
R6403	C-CARBON R	RN72K1J-473JE	1	435034734R1	
R6412	METAL R	RNU1/2WCJ-0.1	1	453531094T	
R6420	METAL O R	RS1/2WBJ-390	1	443523914T	
R6421	METAL O R	RS1/2WBJ-390	1	443523914T	
R6430	METAL O R	RS1/2WBJ-10	1	443521004T	<MPP>
R6431	METAL O R	RS1/2WBJ-10	1	443521004T	<MPP>
R6432	METAL O R	RS1/2WBJ-10	1	443521004T	<MPP>
R6433	METAL O R	RS1/2WBJ-10	1	443521004T	<MPP>
R6434	METAL O R	RS1/2WBJ-10	1	443521004T	<MPP>
R6440	METAL R	RNU1WCJ-8.2	1	453630824T	
R6441	METAL R	RNU1WCJ-8.2	1	453630824T	
R6442	METAL R	RNU1WCJ-8.2	1	453630824T	
R6443	METAL R	RNU1WCJ-8.2	1	453630824T	
R6444	METAL R	RNU1WCJ-8.2	1	453630824T	
R6451	C-CARBON R	RN72K1J-333JE	1	435033334R1	
R6452	C-CARBON R	RN72K1J-103JE	1	435031034R1	
R6453	C-CARBON R	RN72K1J-223JE	1	435032234R1	
R6454	C-CARBON R	RN72K1J-473JE	1	435034734R1	
R6455	C-CARBON R	RN72K1J-103JE	1	435031034R1	
R6456	C-CARBON R	RN72K1J-223JE	1	435032234R1	
R6457	C-CARBON R	RN72K1J-223JE	1	435032234R1	

R6458	C-CARBON R	RN72K1J-562JE	1	435035624R1	
R6459	C-CARBON R	RN72K1J-562JE	1	435035624R1	
R6460	C-CARBON R	RN72K1J-473JE	1	435034734R1	
R950	METAL O R	RS1WBJ-10	1	443621004T	
R960	METAL R	RNU1/2WCJ-8.2	1	453530824T	
R961	CARBON R	R16J-3.3	1	417340334T	
R962	C-CARBON R	RN72K1J-822JE	1	435038224R1	
R963	C-CARBON R	RN72K1J-822JE	1	435038224R1	
R964	C-CARBON R	RN72K1J-333JE	1	435033334R1	
<b>[SW TRM]</b>					
F6901A	FUSE HOL	NSCT-1P2031	1	25052133T	!
F6901B	FUSE HOL	NSCT-1P2031	1	25052133T	!
F6902A	FUSE HOL	NSCT-1P2031	1	25052133T	!
F6902B	FUSE HOL	NSCT-1P2031	1	25052133T	!
J401C	TAPE	TAPE(CLOTH-8U)	1	29110082	
JL501A	WIRE HOL	NSCT-3P874	1	25051087	
JL600A	WIRE HOL	NSCT-7P898	1	25051111	
JL600B	WIRE HOL	NSCT-7P898	1	25051111	
JL603A	WIRE HOL	NSCT-9P900	1	25051113	
JL603B	WIRE HOL	NSCT-9P900	1	25051113	
JL605B	SOCKET	NSCT-5P97	1	25050269	
JL951A	WIRE HOL	NSCT-5P896	1	25051109	
JL951B	WIRE HOL	NSCT-5P896	1	25051109	
JL952A	WIRE HOL	NSCT-3P894	1	25051107	
JL953B	WIRE TRAP	NPLG-5P588	1	25055626	
JL954A	WIRE HOL	NSCT-9P900	1	25051113	
JL954B	WIRE HOL	NSCT-9P900	1	25051113	
P101B	SOCKET	NSCT-9P2102	1	25052205	
P131	PIN JACK	NPJ-1PDO554	1	25045772	
P4000	ST JACK	MSJ-035-22	1	25045887	
P4002	PIN JACK	NPJ-4PDWR690	1	25045922	
P4005	PIN JACK	NPJ-4PDWRR624	1	25045845	
P4006	PIN JACK	NPJ-4PDWRR624	1	25045845	
P4009	PIN JACK	NPJ-1PDP555	1	25045773	
P5507A	TRM	NTM-1P232(M1700)	1	25060301	
P5509A	TRM	NTM-1P232(M1700)	1	25060301	
P6000B	PLUG	NPLG-9P0964	1	25056014	
P6001	TRM	NTM-10PDML363	1	25060434	
P6001B	PLUG	NPLG-9P0964	1	25056014	

P6002	TRM	NTM-4PDML364	1	25060435
P6002B	PLUG	NPLG-9P0964	1	25056014
P6003B	PLUG	NPLG-3P0958	1	25056008
P6004B	PLUG	NPLG-9P0964	1	25056014
P6010A	TRM	NTM-1P232(M1700)	1	25060301
P6013B	PLUG	NPLG-7P0962	1	25056012
P6080	PLUG	NPLG-2P29	1	25055038
P6081	PLUG	NPLG-2P29	1	25055038
P6082	PLUG	NPLG-2P29	1	25055038
P6083	PLUG	NPLG-2P29	1	25055038
P6084	PLUG	NPLG-2P29	1	25055038
P6105	HOLDER	(CRAMP) UA-0 V0	1	27190608-1
P6106	WS CLAMP	CB-71683(L=50)	1	260261
P6107	WS CLAMP	CB-71683(L=50)	1	260261
P6400	CRIMP AS	CRIMP AS	1	20799165UL
P6401	CRIMP AS	CRIMP AS	1	2069925189UL
P6402	CRIMP AS	CRIMP AS	1	2069925252UL
P703B	SOCKET	NSCT-7P2398	1	25052501
P8001A	SOCKET	NSCT-21P2412	1	25052515
P8002A	SOCKET	NSCT-9P2400	1	25052503
P8003B	PLUG	NPLG-7P0962	1	25056012
RL641	RELAY	NRL-1P10A-DC12-196	1	25065707
RL641 or	RELAY	NRL-1P10A-DC12-197	(1)	25065708
RL642	RELAY	NRL-1P10A-DC12-196	1	25065707
RL642 or	RELAY	NRL-1P10A-DC12-197	(1)	25065708
RL643	RELAY	NRL-2P5A-DC24-129	1	25065563A
RL660	RELAY	NRL-2P5A-DC24-129	1	25065563A
RL660 or	RELAY	NRL-2P8A-DC24-144	(1)	25065590
RL660 or	RELAY	NRL-2P8A-DC24-201	(1)	25065718
RL662	RELAY	NRL-2P5A-DC24-129	1	25065563A
RL662 or	RELAY	NRL-2P8A-DC24-144	(1)	25065590
RL662 or	RELAY	NRL-2P8A-DC24-201	(1)	25065718
RL663	RELAY	NRL-2P5A-DC24-129	1	25065563A
RL663 or	RELAY	NRL-2P8A-DC24-144	(1)	25065590
RL663 or	RELAY	NRL-2P8A-DC24-201	(1)	25065718
RL669	RELAY	NRL-2P5A-DC24-129	1	25065563A
RL669 or	RELAY	NRL-2P8A-DC24-144	(1)	25065590
RL669 or	RELAY	NRL-2P8A-DC24-201	(1)	25065718
<b>[TUNER UNIT]</b>				

U131	PHT CP	JSR1165-001recieving	1	24120143
U132	PHT CP	JSR1165-001recieving	1	24120143

<b>U002</b>	<b>U0020 x 2 pcs.</b>	<b>BACLA-1130-1A *</b>
<b>U0020</b>	DRIVER AMP PC BOARD ASS'Y	BACLA-1130-1A

CIRCUIT NO.	PART NAME	DESCRIPTION	Q'TY	PART NO. (SN)	REMARKS
<b>[SEMI CONDUCTOR]</b>					
D5000	ZENER D	HZS6A3	1	224860560T	N
D5000 or	ZENER D	MTZJ5.6B	(1)	224470562T	
D5001	ZENER D	HZS6A3	1	224860560T	N
D5001 or	ZENER D	MTZJ5.6B	(1)	224470562T	
D5002	ZENER D	HZS6A3	1	224860560T	N
D5002 or	ZENER D	MTZJ5.6B	(1)	224470562T	
D5003	ZENER D	HZS6A3	1	224860560T	N
D5003 or	ZENER D	MTZJ5.6B	(1)	224470562T	
D5004	ZENER D	HZS6A3	1	224860560T	N
D5004 or	ZENER D	MTZJ5.6B	(1)	224470562T	
Q5000	TR	2SC2240-BL(TPE2_F)	1	2211406T	
Q5001	TR	2SC2240-BL(TPE2_F)	1	2211406T	
Q5002	TR	2SC2240-BL(TPE2_F)	1	2211406T	
Q5003	TR	2SC2240-BL(TPE2_F)	1	2211406T	
Q5004	TR	2SC2240-BL(TPE2_F)	1	2211406T	
Q5010	TR	2SC2240-BL(TPE2_F)	1	2211406T	
Q5011	TR	2SC2240-BL(TPE2_F)	1	2211406T	
Q5012	TR	2SC2240-BL(TPE2_F)	1	2211406T	
Q5013	TR	2SC2240-BL(TPE2_F)	1	2211406T	
Q5014	TR	2SC2240-BL(TPE2_F)	1	2211406T	
Q5030	TR	2SA949-Y(TPE6_F)	1	2211354T	
Q5030A	RETAINER	(CLA2)	1	27142140A	
Q5031	TR	2SA949-Y(TPE6_F)	1	2211354T	
Q5031A	RETAINER	(CLA2)	1	27142140A	
Q5032	TR	2SA949-Y(TPE6_F)	1	2211354T	
Q5032A	RETAINER	(CLA2)	1	27142140A	
Q5033	TR	2SA949-Y(TPE6_F)	1	2211354T	
Q5033A	RETAINER	(CLA2)	1	27142140A	
Q5034	TR	2SA949-Y(TPE6_F)	1	2211354T	
Q5034A	RETAINER	(CLA2)	1	27142140A	
Q5040	TR	2SC2229-Y(TPE6_F)	1	2211634T	

Q5041	TR	2SC2229-Y(TPE6_F)	1	2211634T
Q5042	TR	2SC2229-Y(TPE6_F)	1	2211634T
Q5043	TR	2SC2229-Y(TPE6_F)	1	2211634T
Q5044	TR	2SC2229-Y(TPE6_F)	1	2211634T
Q5050	TR	2SC2240-BL(TPE2_F)	1	2211406T
Q5051	TR	2SC2240-BL(TPE2_F)	1	2211406T
Q5052	TR	2SC2240-BL(TPE2_F)	1	2211406T
Q5053	TR	2SC2240-BL(TPE2_F)	1	2211406T
Q5054	TR	2SC2240-BL(TPE2_F)	1	2211406T
Q6010	TR	2SC1740S-S	1	2213285T
Q6011	TR	2SC1740S-S	1	2213285T
Q6012	TR	2SC1740S-S	1	2213285T
Q6013	TR	2SC1740S-S	1	2213285T
Q6014	TR	2SC1740S-S	1	2213285T
Q6030	TR	2SC5171(ONK_Q)	1	2203010
Q6031	TR	2SC5171(ONK_Q)	1	2203010
Q6032	TR	2SC5171(ONK_Q)	1	2203010
Q6033	TR	2SC5171(ONK_Q)	1	2203010
Q6034	TR	2SC5171(ONK_Q)	1	2203010
Q6040	TR	2SA1930(ONK_Q)	1	2203000
Q6041	TR	2SA1930(ONK_Q)	1	2203000
Q6042	TR	2SA1930(ONK_Q)	1	2203000
Q6043	TR	2SA1930(ONK_Q)	1	2203000
Q6044	TR	2SA1930(ONK_Q)	1	2203000
<b>[CAPACITOR]</b>				
C5000	UPZ C	2AUPZTF101JE	1	376331014T
C5001	UPZ C	2AUPZTF101JE	1	376331014T
C5002	UPZ C	2AUPZTF101JE	1	376331014T
C5003	UPZ C	2AUPZTF101JE	1	376331014T
C5004	UPZ C	2AUPZTF101JE	1	376331014T
C5010	UTSP C	CE04W50V 47M(UTSP)	1	397584707T
C5011	UTSP C	CE04W50V 47M(UTSP)	1	397584707T
C5012	UTSP C	CE04W50V 47M(UTSP)	1	397584707T
C5013	UTSP C	CE04W50V 47M(UTSP)	1	397584707T
C5014	UTSP C	CE04W50V 47M(UTSP)	1	397584707T
C5020	UTSP C	CE04W50V-10M(UTSP)	1	397581007T
C5021	UTSP C	CE04W50V-10M(UTSP)	1	397581007T
C5022	UTSP C	CE04W50V-10M(UTSP)	1	397581007T
C5023	UTSP C	CE04W50V-10M(UTSP)	1	397581007T



C5024	UTSP C	CE04W50V-10M(UTSP)	1	397581007T
C5040	UTSP C	CE04W25V-220M(UTSP)	1	397552217T
C5041	UTSP C	CE04W25V-220M(UTSP)	1	397552217T
C5042	UTSP C	CE04W25V-220M(UTSP)	1	397552217T
C5043	UTSP C	CE04W25V-220M(UTSP)	1	397552217T
C5044	UTSP C	CE04W25V-220M(UTSP)	1	397552217T
C5050	UTSP C	CE04W50V 47M(UTSP)	1	397584707T
C5051	UTSP C	CE04W50V 47M(UTSP)	1	397584707T
C5052	UTSP C	CE04W50V 47M(UTSP)	1	397584707T
C5053	UTSP C	CE04W50V 47M(UTSP)	1	397584707T
C5054	UTSP C	CE04W50V 47M(UTSP)	1	397584707T
C5080	CERA C	CC45SL50V-040C	1	345020401T
C5081	CERA C	CC45SL50V-040C	1	345020401T
C5082	CERA C	CC45SL50V-040C	1	345020401T
C5083	CERA C	CC45SL50V-040C	1	345020401T
C5084	CERA C	CC45SL50V-040C	1	345020401T
C5090	UPZ C	2AUPZTF101JE	1	376331014T
C5091	UPZ C	2AUPZTF101JE	1	376331014T
C5092	UPZ C	2AUPZTF101JE	1	376331014T
C5093	UPZ C	2AUPZTF101JE	1	376331014T
C5094	UPZ C	2AUPZTF101JE	1	376331014T
C5100	VR C	CE04W100V-22M(VR)	1	394692207T
C5101	VR C	CE04W100V-22M(VR)	1	394692207T
C5102	VR C	CE04W100V-22M(VR)	1	394692207T
C5103	VR C	CE04W100V-22M(VR)	1	394692207T
C5104	VR C	CE04W100V-22M(VR)	1	394692207T
C5110	VR C	CE04W100V-22M(VR)	1	394692207T
C5111	VR C	CE04W100V-22M(VR)	1	394692207T
C5112	VR C	CE04W100V-22M(VR)	1	394692207T
C5113	VR C	CE04W100V-22M(VR)	1	394692207T
C5114	VR C	CE04W100V-22M(VR)	1	394692207T
C6040	UTSP C	CE04W50V 47M(UTSP)	1	397584707T
C6041	UTSP C	CE04W50V 47M(UTSP)	1	397584707T
C6042	UTSP C	CE04W50V 47M(UTSP)	1	397584707T
C6043	UTSP C	CE04W50V 47M(UTSP)	1	397584707T
C6044	UTSP C	CE04W50V 47M(UTSP)	1	397584707T
<b>[RESISTOR]</b>				
R5000	CARBON R	R16J-1.5K	1	417341524T
R5001	CARBON R	R16J-1.5K	1	417341524T

R5002	CARBON R	R16J-1.5K	1	417341524T
R5003	CARBON R	R16J-1.5K	1	417341524T
R5004	CARBON R	R16J-1.5K	1	417341524T
R5010	CARBON R	R16J-120K	1	417341244T
R5011	CARBON R	R16J-120K	1	417341244T
R5012	CARBON R	R16J-120K	1	417341244T
R5013	CARBON R	R16J-120K	1	417341244T
R5014	CARBON R	R16J-120K	1	417341244T
R5020	CARBON R	R16J-330	1	417343314T
R5021	CARBON R	R16J-330	1	417343314T
R5022	CARBON R	R16J-330	1	417343314T
R5023	CARBON R	R16J-330	1	417343314T
R5024	CARBON R	R16J-330	1	417343314T
R5030	CARBON R	R16J-120K	1	417341244T
R5031	CARBON R	R16J-120K	1	417341244T
R5032	CARBON R	R16J-120K	1	417341244T
R5033	CARBON R	R16J-120K	1	417341244T
R5034	CARBON R	R16J-120K	1	417341244T
R5040	CARBON R	R16J-2.2K	1	417342224T
R5041	CARBON R	R16J-2.2K	1	417342224T
R5042	CARBON R	R16J-2.2K	1	417342224T
R5043	CARBON R	R16J-2.2K	1	417342224T
R5044	CARBON R	R16J-2.2K	1	417342224T
R5050	CARBON R	R16J-4.7K	1	417344724T
R5051	CARBON R	R16J-4.7K	1	417344724T
R5052	CARBON R	R16J-4.7K	1	417344724T
R5053	CARBON R	R16J-4.7K	1	417344724T
R5054	CARBON R	R16J-4.7K	1	417344724T
R5060	CARBON R	R16J-1.2K	1	417341224T
R5061	CARBON R	R16J-1.2K	1	417341224T
R5062	CARBON R	R16J-1.2K	1	417341224T
R5063	CARBON R	R16J-1.2K	1	417341224T
R5064	CARBON R	R16J-1.2K	1	417341224T
R5080	CARBON R	R16J-470	1	417344714T
R5081	CARBON R	R16J-470	1	417344714T
R5082	CARBON R	R16J-470	1	417344714T
R5083	CARBON R	R16J-470	1	417344714T
R5084	CARBON R	R16J-470	1	417344714T
R5090	CARBON R	R16J-100K	1	417341044T

R5091	CARBON R	R16J-100K	1	417341044T
R5092	CARBON R	R16J-100K	1	417341044T
R5093	CARBON R	R16J-100K	1	417341044T
R5094	CARBON R	R16J-100K	1	417341044T
R5100	CARBON R	R16J-100K	1	417341044T
R5101	CARBON R	R16J-100K	1	417341044T
R5102	CARBON R	R16J-100K	1	417341044T
R5103	CARBON R	R16J-100K	1	417341044T
R5104	CARBON R	R16J-100K	1	417341044T
R5110	CARBON R	R16J-1K	1	417341024T
R5111	CARBON R	R16J-1K	1	417341024T
R5112	CARBON R	R16J-1K	1	417341024T
R5113	CARBON R	R16J-1K	1	417341024T
R5114	CARBON R	R16J-1K	1	417341024T
R5130	CARBON R	R16J-18K	1	417341834T
R5131	CARBON R	R16J-18K	1	417341834T
R5132	CARBON R	R16J-18K	1	417341834T
R5133	CARBON R	R16J-18K	1	417341834T
R5134	CARBON R	R16J-18K	1	417341834T
R5160	NF CARBON R	R25J-100	1	415471014T
R5161	NF CARBON R	R25J-100	1	415471014T
R5162	NF CARBON R	R25J-100	1	415471014T
R5163	NF CARBON R	R25J-100	1	415471014T
R5164	NF CARBON R	R25J-100	1	415471014T
R5170	NF CARBON R	R25J-100	1	415471014T
R5171	NF CARBON R	R25J-100	1	415471014T
R5172	NF CARBON R	R25J-100	1	415471014T
R5173	NF CARBON R	R25J-100	1	415471014T
R5174	NF CARBON R	R25J-100	1	415471014T
R5180	NF CARBON R	R25J-10	1	415471004T
R5181	NF CARBON R	R25J-10	1	415471004T
R5182	NF CARBON R	R25J-10	1	415471004T
R5183	NF CARBON R	R25J-10	1	415471004T
R5184	NF CARBON R	R25J-10	1	415471004T
R5190	NF CARBON R	R25J-10	1	415471004T
R5191	NF CARBON R	R25J-10	1	415471004T
R5192	NF CARBON R	R25J-10	1	415471004T
R5193	NF CARBON R	R25J-10	1	415471004T
R5194	NF CARBON R	R25J-10	1	415471004T

R5200	CARBON R	R16J-18K	1	417341834T
R5201	CARBON R	R16J-18K	1	417341834T
R5202	CARBON R	R16J-18K	1	417341834T
R5203	CARBON R	R16J-18K	1	417341834T
R5204	CARBON R	R16J-18K	1	417341834T
R5230	CARBON R	R16J-120K	1	417341244T
R5231	CARBON R	R16J-120K	1	417341244T
R5232	CARBON R	R16J-120K	1	417341244T
R5233	CARBON R	R16J-120K	1	417341244T
R5234	CARBON R	R16J-120K	1	417341244T
R5300	CARBON R	R16J-22	1	417342204T
R5301	CARBON R	R16J-22	1	417342204T
R5302	CARBON R	R16J-22	1	417342204T
R5303	CARBON R	R16J-22	1	417342204T
R5304	CARBON R	R16J-22	1	417342204T
R5310	CARBON R	R16J-22	1	417342204T
R5311	CARBON R	R16J-22	1	417342204T
R5312	CARBON R	R16J-22	1	417342204T
R5313	CARBON R	R16J-22	1	417342204T
R5314	CARBON R	R16J-22	1	417342204T
R5320	CARBON R	R16J-120K	1	417341244T
R5321	CARBON R	R16J-120K	1	417341244T
R5322	CARBON R	R16J-120K	1	417341244T
R5323	CARBON R	R16J-120K	1	417341244T
R5324	CARBON R	R16J-120K	1	417341244T
R6020	NF CARBON R	R25J-2.2	1	415470224T
R6021	NF CARBON R	R25J-2.2	1	415470224T
R6022	NF CARBON R	R25J-2.2	1	415470224T
R6023	NF CARBON R	R25J-2.2	1	415470224T
R6024	NF CARBON R	R25J-2.2	1	415470224T
R6040	TRIM R	N06HR2KBB	1	5211402T
R6041	TRIM R	N06HR2KBB	1	5211402T
R6042	TRIM R	N06HR2KBB	1	5211402T
R6043	TRIM R	N06HR2KBB	1	5211402T
R6044	TRIM R	N06HR2KBB	1	5211402T
R6050	CARBON R	R16J-3.3K	1	417343324T
R6051	CARBON R	R16J-3.3K	1	417343324T
R6052	CARBON R	R16J-3.3K	1	417343324T
R6053	CARBON R	R16J-3.3K	1	417343324T

R6054	CARBON R	R16J-3.3K	1	417343324T
R6070	NF CARBON R	R25J-82	1	415478204T
R6071	NF CARBON R	R25J-82	1	415478204T
R6072	NF CARBON R	R25J-82	1	415478204T
R6073	NF CARBON R	R25J-82	1	415478204T
R6074	NF CARBON R	R25J-82	1	415478204T
<b>[SW TRM]</b>				
P5507B	TRM	NTM-1P233(M1969)	1	25060302
P5509B	TRM	NTM-1P233(M1969)	1	25060302
P6000	SOCKET	NSCT-9P2189	1	25052292
P6001	SOCKET	NSCT-9P2189	1	25052292
P6002	SOCKET	NSCT-9P2189	1	25052292
P6003	SOCKET	NSCT-3P2183	1	25052286
P6004	SOCKET	NSCT-9P2189	1	25052292
P6013A	SOCKET	NSCT-7P2187	1	25052290

<b>U003</b>	<b>U0030 ~ U 0034</b>	<b>BADIS-0654-1J/ 1K *</b>
<b>U0030</b>	DISPLAY PC BOARD ASS'Y	BADIS-0654-1J/ 1K
<b>U0031</b>	DISPLAY PC BOARD ASS'Y	BADIS-0655-1J/ 1K
<b>U0032</b>	VIDEO PC BOARD ASS'Y	BAVD-0656-1J/ 1K
<b>U0033</b>	PHONE JACK PC BOARD ASS'Y	BAETC-0658-1J/ 1K
<b>U0034</b>	PRI TERMINAL PC BOARD ASS'Y	BAPS-0659-1J/ 1K

CIRCUIT NO.	PART NAME	DESCRIPTION	Q'TY	PART NO. (SN)	REMARKS
<b>[SEMI CONDUCTOR]</b>					
D7002	ZENER D	DZ2J082M0L	1	224760820R2	
D7002 or	ZENER D	UDZS8.2B	(1)	224550820R2	
D7033	ZENER D	DZ2J039M0L	1	224760390R2	
D7033 or	ZENER D	UDZS3.9B	(1)	224550390R2	
D7152	LED	SLI-343Y8C-TE7	1	225490T	
D7301	C-DIODE	DA2J10100	1	223303R2	N
D7301 or	C-DIODE	1SS352	(1)	223234R2	
D7301 or	C-DIODE	1SS355	(1)	223269R2	
D7301 or	C-DIODE	MA2J111	(1)	223279R2	
D7301 or	C-DIODE	KDS4148U	(1)	223283R2	
D7302	C-DIODE	DA2J10100	1	223303R2	N
D7302 or	C-DIODE	1SS352	(1)	223234R2	
D7302 or	C-DIODE	1SS355	(1)	223269R2	
D7302 or	C-DIODE	MA2J111	(1)	223279R2	

D7302 or	C-DIODE	KDS4148U	(1)	223283R2	
D7501	C-DIODE	DA2J10100	1	223303R2	
D7501 or	C-DIODE	ISS352	(1)	223234R2	
D7501 or	C-DIODE	ISS355	(1)	223269R2	
D7501 or	C-DIODE	MA2J111	(1)	223279R2	
D7501 or	C-DIODE	KDS4148U	(1)	223283R2	
D7502	C-DIODE	DA2J10100	1	223303R2	
D7502 or	C-DIODE	ISS352	(1)	223234R2	
D7502 or	C-DIODE	ISS355	(1)	223269R2	
D7502 or	C-DIODE	MA2J111	(1)	223279R2	
D7502 or	C-DIODE	KDS4148U	(1)	223283R2	
D7503	C-DIODE	DA2J10100	1	223303R2	
D7503 or	C-DIODE	ISS352	(1)	223234R2	
D7503 or	C-DIODE	ISS355	(1)	223269R2	
D7503 or	C-DIODE	MA2J111	(1)	223279R2	
D7503 or	C-DIODE	KDS4148U	(1)	223283R2	
D7504	C-DIODE	DA2J10100	1	223303R2	
D7504 or	C-DIODE	ISS352	(1)	223234R2	
D7504 or	C-DIODE	ISS355	(1)	223269R2	
D7504 or	C-DIODE	MA2J111	(1)	223279R2	
D7504 or	C-DIODE	KDS4148U	(1)	223283R2	
D9011	DIODE	D5SBA60	1	22380070F	N
D9014	C-DIODE	DA2J10100	1	223303R2	N
D9014 or	C-DIODE	ISS352	(1)	223234R2	
D9014 or	C-DIODE	ISS355	(1)	223269R2	
D9014 or	C-DIODE	MA2J111	(1)	223279R2	
D9014 or	C-DIODE	KDS4148U	(1)	223283R2	
D9015	C-DIODE	DA2J10100	1	223303R2	N
D9015 or	C-DIODE	ISS352	(1)	223234R2	
D9015 or	C-DIODE	ISS355	(1)	223269R2	
D9015 or	C-DIODE	MA2J111	(1)	223279R2	
D9015 or	C-DIODE	KDS4148U	(1)	223283R2	
D9016	ZENER D	DZ2J062M0L	1	224760620R2	
D9016 or	ZENER D	UDZS6.2B	(1)	224550620R2	
D911	C-DIODE	DA2J10100	1	223303R2	N
D911 or	C-DIODE	ISS352	(1)	223234R2	
D911 or	C-DIODE	ISS355	(1)	223269R2	
D911 or	C-DIODE	MA2J111	(1)	223279R2	
D911 or	C-DIODE	KDS4148U	(1)	223283R2	

D912	C-DIODE	DA2J10100	1	223303R2	N
D912 or	C-DIODE	1SS352	(1)	223234R2	
D912 or	C-DIODE	1SS355	(1)	223269R2	
D912 or	C-DIODE	MA2J111	(1)	223279R2	
D912 or	C-DIODE	KDS4148U	(1)	223283R2	
D921	C-DIODE	DA2J10100	1	223303R2	N
D921 or	C-DIODE	1SS352	(1)	223234R2	
D921 or	C-DIODE	1SS355	(1)	223269R2	
D921 or	C-DIODE	MA2J111	(1)	223279R2	
D921 or	C-DIODE	KDS4148U	(1)	223283R2	
D922	C-DIODE	DA2J10100	1	223303R2	N
D922 or	C-DIODE	1SS352	(1)	223234R2	
D922 or	C-DIODE	1SS355	(1)	223269R2	
D922 or	C-DIODE	MA2J111	(1)	223279R2	
D922 or	C-DIODE	KDS4148U	(1)	223283R2	
D923	C-DIODE	DA2J10100	1	223303R2	N
D923 or	C-DIODE	1SS352	(1)	223234R2	
D923 or	C-DIODE	1SS355	(1)	223269R2	
D923 or	C-DIODE	MA2J111	(1)	223279R2	
D923 or	C-DIODE	KDS4148U	(1)	223283R2	
D924	C-DIODE	DA2J10100	1	223303R2	N
D924 or	C-DIODE	1SS352	(1)	223234R2	
D924 or	C-DIODE	1SS355	(1)	223269R2	
D924 or	C-DIODE	MA2J111	(1)	223279R2	
D924 or	C-DIODE	KDS4148U	(1)	223283R2	
D925	C-DIODE	DA2J10100	1	223303R2	N
D925 or	C-DIODE	1SS352	(1)	223234R2	
D925 or	C-DIODE	1SS355	(1)	223269R2	
D925 or	C-DIODE	MA2J111	(1)	223279R2	
D925 or	C-DIODE	KDS4148U	(1)	223283R2	
D930	C-DIODE	DA2J10100	1	223303R2	N
D930 or	C-DIODE	1SS352	(1)	223234R2	
D930 or	C-DIODE	1SS355	(1)	223269R2	
D930 or	C-DIODE	MA2J111	(1)	223279R2	
D930 or	C-DIODE	KDS4148U	(1)	223283R2	
D931	C-DIODE	DA2J10100	1	223303R2	N
D931 or	C-DIODE	1SS352	(1)	223234R2	
D931 or	C-DIODE	1SS355	(1)	223269R2	
D931 or	C-DIODE	MA2J111	(1)	223279R2	

D931 or	C-DIODE	KDS4148U	(1)	223283R2	
D933	C-DIODE	DA2J10100	1	223303R2	N
D933 or	C-DIODE	1SS352	(1)	223234R2	
D933 or	C-DIODE	1SS355	(1)	223269R2	
D933 or	C-DIODE	MA2J111	(1)	223279R2	
D933 or	C-DIODE	KDS4148U	(1)	223283R2	
D934	ZENER D	DZ2J047M0L	1	224760470R2	<MDC>
D934	ZENER D	DZ2J051M0L	1	224760510R2	<MPP>
D934 or	ZENER D	UDZS4.7B	(1)	224550470R2	<MDC>
D934 or	ZENER D	UDZS5.1B	(1)	224550510R2	<MPP>
D935	C-DIODE	DA2J10100	1	223303R2	N
D935 or	C-DIODE	1SS352	(1)	223234R2	
D935 or	C-DIODE	1SS355	(1)	223269R2	
D935 or	C-DIODE	MA2J111	(1)	223279R2	
D935 or	C-DIODE	KDS4148U	(1)	223283R2	
Q2001	IC	NJW1328	1	22242691R3	N
Q2600	IC	NJM2505AF	1	22242490R2	
Q2600 or	IC	BH7673G-TR	(1)	22242661R2	
Q7002	FL TUBE	16-BT-162GNK	1	212273	
Q7002A	HOLDER	(FL)	1	27191222C	
Q7003	IC	M66005-0001AHP	1	22242208R3	
Q7004	TR	KTC3875-GR	1	2216175R2	
Q7033	TR	KTC3875-GR	1	2216175R2	
Q9020	IC	XC6220B501PR	1	22242692R2	N
<b>[TRANS COIL]</b>					
L7031	CHOKE COIL	LBC2518T2R2M	1	231364M022R2	
L7032	CHOKE COIL	LBC2518T2R2M	1	231364M022R2	
L7201	CHOKE COIL	LBC2518T2R2M	1	231364M022R2	
L7202	CHOKE COIL	LBC2518T2R2M	1	231364M022R2	
L7203	CHOKE COIL	LBC2518T2R2M	1	231364M022R2	
L7301	EMIFIL	BK1608LM182-T	1	230958R1	
L7302	EMIFIL	BK1608LM182-T	1	230958R1	
L7501	CORE	BLM18PG121SN1D	1	2350006R1	
L7502	CORE	BLM18PG121SN1D	1	2350006R1	
L7503	CORE	BLM18PG121SN1D	1	2350006R1	
L9020	CORE	BLM18PG181SN1D	1	2350005R1	
T902	P TRANS	NPT-1520JQ	1	2301812A	! <MDC>
T902	P TRANS	NPT-1520GQ	1	2301813A	! <MPP>
<b>[CAPACITOR]</b>					



C2000	C-CERA C	CK725F1E-104Z1	1	332161040R1	
C2001	C-CERA C	CK725F1E-104Z1	1	332161040R1	
C2002	VR C	CE04W50V-2.2M(VR)	1	394680227T	
C2002 or	JAMICON	CE04W50V-2.2M	(1)	398580227T	N
C2004	C-CERA C	CK725F1E-104Z1	1	332161040R1	
C2006	C-CERA C	CK725F1A-105Z1	1	332181050R1	
C2007	C-CERA C	CK725F1E-104Z1	1	332161040R1	
C2008	C-CERA C	CK725F1A-105Z1	1	332181050R1	
C2009	C-CERA C	CK725F1A-105Z1	1	332181050R1	
C2010	C-CERA C	CK725F1A-105Z1	1	332181050R1	
C2011	C-CERA C	CK725F1A-105Z1	1	332181050R1	
C2012	C-CERA C	CK725F1A-105Z1	1	332181050R1	
C2013	VR C	CE04W50V-10M(VR)	1	394681007T	
C2013 or	JAMICON	CE04W50V-10M	(1)	398581007T	N
C2020	C-CERA C	CK725F1A-105Z1	1	332181050R1	
C2021	C-CERA C	CK725F1A-105Z1	1	332181050R1	
C2102	VR C	CE04W6.3V-470M(VR)	1	394624717T	
C2102 or	JAMICON	CE04W6.3V-470M	(1)	398524717T	N
C2103	VR C	CE04W50V-2.2M(VR)	1	394680227T	
C2103 or	JAMICON	CE04W50V-2.2M	(1)	398580227T	N
C2104	VR C	CE04W50V-2.2M(VR)	1	394680227T	
C2104 or	JAMICON	CE04W50V-2.2M	(1)	398580227T	N
C2105	VR C	CE04W6.3V-470M(VR)	1	394624717T	
C2105 or	JAMICON	CE04W6.3V-470M	(1)	398524717T	N
C2106	VR C	CE04W50V-2.2M(VR)	1	394680227T	
C2106 or	JAMICON	CE04W50V-2.2M	(1)	398580227T	N
C2107	VR C	CE04W50V-2.2M(VR)	1	394680227T	
C2107 or	JAMICON	CE04W50V-2.2M	(1)	398580227T	N
C2108	VR C	CE04W6.3V-470M(VR)	1	394624717T	
C2108 or	JAMICON	CE04W6.3V-470M	(1)	398524717T	N
C2109	VR C	CE04W6.3V-470M(VR)	1	394624717T	
C2109 or	JAMICON	CE04W6.3V-470M	(1)	398524717T	N
C2110	VR C	CE04W6.3V-470M(VR)	1	394624717T	
C2110 or	JAMICON	CE04W6.3V-470M	(1)	398524717T	N
C2111	VR C	CE04W50V-2.2M(VR)	1	394680227T	
C2111 or	JAMICON	CE04W50V-2.2M	(1)	398580227T	N
C2112	VR C	CE04W50V-2.2M(VR)	1	394680227T	
C2112 or	JAMICON	CE04W50V-2.2M	(1)	398580227T	N
C2113	VR C	CE04W50V-2.2M(VR)	1	394680227T	

C2113 or	JAMICON	CE04W50V-2.2M	(1)	398580227T	N
C2114	VR C	CE04W50V-2.2M(VR)	1	394680227T	
C2114 or	JAMICON	CE04W50V-2.2M	(1)	398580227T	N
C2115	VR C	CE04W50V-2.2M(VR)	1	394680227T	
C2115 or	JAMICON	CE04W50V-2.2M	(1)	398580227T	N
C2116	VR C	CE04W50V-2.2M(VR)	1	394680227T	
C2116 or	JAMICON	CE04W50V-2.2M	(1)	398580227T	N
C2201	C-CERA C	CK725B1H-102K1	1	332101025R1	
C2202	C-CERA C	CK725B1H-102K1	1	332101025R1	
C2203	C-CERA C	CK725B1H-103K1	1	332101035R1	
C2601	C-CERA C	CK725F1E-104Z1	1	332161040R1	
C2602	VR C	CE04W6.3V-470M(VR)	1	394624717T	
C2602 or	JAMICON	CE04W6.3V-470M	(1)	398524717T	
C2603	C-CERA C	CC725CH1H-470J1	1	342104704R1	
C2604	VR C	CE04W6.3V-470M(VR)	1	394624717T	
C2604 or	JAMICON	CE04W6.3V-470M	(1)	398524717T	
C2605	C-CERA C	CC725CH1H-470J1	1	342104704R1	
C7001	C-CERA C	CK725B1H-223K1	1	332102235R1	
C7002	C-CERA C	CK725F1E-104Z1	1	332161040R1	
C7003	C-CERA C	CC725CH1H-101J1	1	342101014R1	
C7004	C-CERA C	CC725CH1H-101J1	1	342101014R1	
C7005	C-CERA C	CC725CH1H-101J1	1	342101014R1	
C7007	C-CERA C	CC725CH1H-101J1	1	342101014R1	
C7008	ELECT C	CE04W6.3V-100M(S)	1	353721019T	
C7009	C-CERA C	CK725F1E-104Z1	1	332161040R1	
C7010	C-CERA C	CK725B1H-223K1	1	332102235R1	
C7011	C-CERA C	CK725B1H-223K1	1	332102235R1	
C7012	C-CERA C	CK725B1H-223K1	1	332102235R1	
C7014	C-CERA C	CK725B1H-223K1	1	332102235R1	
C7015	ELECT C	CE04W16V-47M(S)	1	353744709T	
C7016	C-CERA C	CK725B1H-223K1	1	332102235R1	
C7017	C-CERA C	CK725B1H-223K1	1	332102235R1	
C7021	C-CERA C	CK725B1H-103K1	1	332101035R1	
C7022	C-CERA C	CK725B1H-103K1	1	332101035R1	
C7031	C-CERA C	CK725B1H-223K1	1	332102235R1	
C7032	C-CERA C	CK725B1H-223K1	1	332102235R1	
C7033	ELECT C	CE04W16V-10M(S)	1	353741009T	
C7041	ELECT C	CE04W16V-10M(S)	1	353741009T	
C7042	C-CERA C	CC725CH1H-102J1	1	342101024R1	

C7043	C-CERA C	CC725CH1H-102J1	1	342101024R1	
C7201	C-CERA C	CC725CH1H-102J1	1	342101024R1	
C7202	C-CERA C	CK725B1H-223K1	1	332102235R1	
C7203	MKT C	B32529C0102J289	1	376491024T	
C7204	MKT C	B32529C0102J289	1	376491024T	
C7301	C-CERA C	CC725CH1H-471J1	1	342104714R1	
C7302	C-CERA C	CC725CH1H-471J1	1	342104714R1	
C7304	C-CERA C	CK725F1E-104Z1	1	332161040R1	
C7305	C-CERA C	CK725F1E-104Z1	1	332161040R1	
C7306	C-CERA C	CK725F1E-104Z1	1	332161040R1	
C7319	C-CERA C	CC725CH1H-470J1	1	342104704R1	
C7501	C-CERA C	CK725F1E-104Z1	1	332161040R1	
C7503	C-CERA C	CK725F1E-104Z1	1	332161040R1	
C901	IS C	LE103-C3.5	1	3800042S	!
C901 or	IS C	ECQU2A103MLC	(1)	3800039S	!
C9011	VR C	CE04W16V-10000M(VR)	1	394641037S	
C9012	TF C	ECQ-V50V-334J	1	374723344T	
C9013	VR C	CE04W50V-4.7M(VR)	1	394680477T	
C9013 or	JAMICON	CE04W50V-4.7M	(1)	398580477T	N
C902	C-CERA C	CK725F1E-104Z1	1	332161040R1	
C9020	C-CERA C	CK732B16V-106K	1	332071065R2	N
C9021	C-CERA C	CK732B16V-106K	1	332071065R2	N
C9022	C-CERA C	CK732B16V-106K	1	332071065R2	N
C9023	C-CERA C	CK732B16V-106K	1	332071065R2	N
C9026	VR C	CE04W6.3V-470M(VR)	1	394624717T	
C9026 or	JAMICON	CE04W6.3V-470M	(1)	398524717T	N
C9027	C-CERA C	CK725F1E-104Z1	1	332161040R1	
C9028	C-CERA C	CK725F1E-104Z1	1	332161040R1	
C9029	C-CERA C	CK725F1E-104Z1	1	332161040R1	
C9030	C-CERA C	CK725F1E-104Z1	1	332161040R1	
C9031	C-CERA C	CK725F1E-104Z1	1	332161040R1	
C911	C-CERA C	CC725CH1H-102J1	1	342101024R1	
C921	C-CERA C	CK725B1H-223K1	1	332102235R1	
C922	VR C	CE04W16V-2200M(VR)	1	394642227S	
C922 or	JAMICON	CE04W16V-2200M	(1)	398542227S	
C930	VR C	CE04W16V-470M(VR)	1	394644717T	
C930 or	JAMICON	CE04W16V-470M	(1)	398544717T	
C933	UTSP C	CE04W50V-4.7M(UTSP)	1	397580477T	

[RESISTOR]

R2004	C-CARBON R	RN72K1J-563JE	1	435035634R1
R2005	C-CARBON R	RN72K1J-103JE	1	435031034R1
R2006	C-CARBON R	RN72K1J-103JE	1	435031034R1
R2007	C-CARBON R	RN72K1J-563JE	1	435035634R1
R2008	C-CARBON R	RN72K1J-222JE	1	435032224R1
R2009	C-CARBON R	RN72K1J-222JE	1	435032224R1
R2010	C-CARBON R	RN72K1J-183JE	1	435031834R1
R2011	C-CARBON R	RN72K1J-183JE	1	435031834R1
R2101	C-CARBON R	RN72K1J-750JE	1	435037504R1
R2102	C-CARBON R	RN72K1J-750JE	1	435037504R1
R2103	C-CARBON R	RN72K1J-750JE	1	435037504R1
R2104	C-CARBON R	RN72K1J-750JE	1	435037504R1
R2105	C-CARBON R	RN72K1J-750JE	1	435037504R1
R2106	C-CARBON R	RN72K1J-750JE	1	435037504R1
R2107	C-CARBON R	RN72K1J-750JE	1	435037504R1
R2108	C-CARBON R	RN72K1J-750JE	1	435037504R1
R2109	C-CARBON R	RN72K1J-750JE	1	435037504R1
R2110	C-CARBON R	RN72K1J-750JE	1	435037504R1
R2111	C-CARBON R	RN72K1J-750JE	1	435037504R1
R2112	C-CARBON R	RN72K1J-750JE	1	435037504R1
R2113	C-CARBON R	RN72K1J-750JE	1	435037504R1
R2114	C-CARBON R	RN72K1J-750JE	1	435037504R1
R2115	C-CARBON R	RN72K1J-750JE	1	435037504R1
R2116	C-CARBON R	RN72K1J-750JE	1	435037504R1
R2120	C-CARBON R	RN72K1J-104JE	1	435031044R1
R2121	C-CARBON R	RN72K1J-104JE	1	435031044R1
R2122	C-CARBON R	RN72K1J-104JE	1	435031044R1
R2123	C-CARBON R	RN72K1J-104JE	1	435031044R1
R2124	C-CARBON R	RN72K1J-104JE	1	435031044R1
R2155	C-CARBON R	RN72K1J-000JE	1	435030004R1
R2156	C-CARBON R	RN72K1J-000JE	1	435030004R1
R2157	C-CARBON R	RN72K1J-000JE	1	435030004R1
R2601	C-CARBON R	RN72K1J-220JE	1	435032204R1
R2602	C-CARBON R	RN72K1J-220JE	1	435032204R1
R2603	C-CARBON R	RN72K1J-047JE	1	435030474R1
R7001	C-CARBON R	RN72K1J-103JE	1	435031034R1
R7002	C-CARBON R	RN72K1J-332JE	1	435033324R1
R7003	C-CARBON R	RN72K1J-332JE	1	435033324R1
R7004	C-CARBON R	RN72K1J-221JE	1	435032214R1

R7005	C-CARBON R	RN72K1J-221JE	1	435032214R1
R7006	C-CARBON R	RN72K1J-103JE	1	435031034R1
R7007	C-CARBON R	RN72K1J-221JE	1	435032214R1
R7008	C-CARBON R	RN72K1J-221JE	1	435032214R1
R7021	C-CARBON R	RN72K1J-103JE	1	435031034R1
R7022	C-CARBON R	RN72K1J-103JE	1	435031034R1
R7023	C-CARBON R	RN72K1J-103JE	1	435031034R1
R7024	C-CARBON R	RN72K1J-103JE	1	435031034R1
R7033	C-CARBON R	RN72K1J-820JE	1	435038204R1
R7041	C-CARBON R	RN72K1J-101JE	1	435031014R1
R7042	C-CARBON R	RN72K1J-102JE	1	435031024R1
R7101	C-CARBON R	RN72K1J-271JE	1	435032714R1
R7102	C-CARBON R	RN72K1J-331JE	1	435033314R1
R7103	C-CARBON R	RN72K1J-471JE	1	435034714R1
R7106	C-CARBON R	RN72K1J-271JE	1	435032714R1
R7107	C-CARBON R	RN72K1J-331JE	1	435033314R1
R7108	C-CARBON R	RN72K1J-471JE	1	435034714R1
R7109	C-CARBON R	RN72K1J-561JE	1	435035614R1
R7110	C-CARBON R	RN72K1J-821JE	1	435038214R1
R7111	C-CARBON R	RN72K1J-122JE	1	435031224R1
R7112	C-CARBON R	RN72K1J-222JE	1	435032224R1
R7113	C-CARBON R	RN72K1J-392JE	1	435033924R1
R7114	C-CARBON R	RN72K1J-123JE	1	435031234R1
R7115	C-CARBON R	RN72K1J-271JE	1	435032714R1
R7116	C-CARBON R	RN72K1J-331JE	1	435033314R1
R7117	C-CARBON R	RN72K1J-471JE	1	435034714R1
R7118	C-CARBON R	RN72K1J-561JE	1	435035614R1
R7119	C-CARBON R	RN72K1J-821JE	1	435038214R1
R7120	C-CARBON R	RN72K1J-122JE	1	435031224R1
R7121	C-CARBON R	RN72K1J-222JE	1	435032224R1
R7122	C-CARBON R	RN72K1J-392JE	1	435033924R1
R7123	C-CARBON R	RN72K1J-271JE	1	435032714R1
R7124	C-CARBON R	RN72K1J-331JE	1	435033314R1
R7125	C-CARBON R	RN72K1J-471JE	1	435034714R1
R7126	C-CARBON R	RN72K1J-561JE	1	435035614R1
R7127	C-CARBON R	RN72K1J-821JE	1	435038214R1
R7128	C-CARBON R	RN72K1J-122JE	1	435031224R1
R7129	C-CARBON R	RN72K1J-222JE	1	435032224R1
R7152	C-CARBON R	RN72K1J-222JE	1	435032224R1

R7301	C-CARBON R	RN72K1J-331JE	1	435033314R1	
R7302	C-CARBON R	RN72K1J-331JE	1	435033314R1	
R9014	C-CARBON R	RN72K1J-104JE	1	435031044R1	
R921	METAL O R	RS1/2WBJ-47	1	443524704T	
R922	C-CARBON R	RN72K1J-823JE	1	435038234R1	<MDC>
R934	C-CARBON R	RN72K1J-104JE	1	435031044R1	
<b>[SW TRM]</b>					
E7201	TRM-423(SCREW)	NEJITANSI ST3	1	25060495	
E7301A	RETAINER	(GND)	1	27142222A	N
E9004	RETAINER	(JOINT)	1	27142069	
E901	TRM-423(SCREW)	NEJITANSI ST3	1	25060495	
E902	TRM-423(SCREW)	NEJITANSI ST3	1	25060495	
F9001	FUSE	5A-UL-125V	1	252385T	!
F901C	FUSE HOL	NSCT-1P2031	1	25052133T	!
F901D	FUSE HOL	NSCT-1P2031	1	25052133T	!
JL605A	WIRE HOL	NSCT-5P896	1	25051109	
JL702A	WIRE HOL	NSCT-7P878	1	25051091	
JL702B	WIRE HOL	NSCT-7P878	1	25051091	
JL801A	WIRE HOL	NSCT-5P876	1	25051089	
JL901A	WIRE HOL	NSCT-5P876	1	25051089	
JL952B	SOCKET	NSCT-3P95	1	25050267	
JL953A	WIRE HOL	NSCT-5P876	1	25051089	
P2201	PIN JACK	NPJ-3PDY560	1	25045778	
P2202	PIN JACK	NPJ-3PDY560	1	25045778	
P2203	PIN JACK	NPJ-9PDGLRGLR563	1	25045781	
P2800A	SOCKET	NSCT-9P2400	1	25052503	
P3101B	PLUG	NPLG-5P352	1	25055369	
P701B	SOCKET	NSCT-23P2441	1	25052544	
P703A	SOCKET	NSCT-7P2425	1	25052528	
P7201	ST JACK	MSJ-064-05A SR	1	25045783	
P7301	PIN JACK	NPJ-3PDB735	1	25045978	N
P7501	SOCKET	000010211-00027	1	25053411	
P901A	PLUG	NPLG-2P631	1	25055675	!
P901Aor	PLUG	1-1123724-2	(1)	25056402	!
P911	PLUG	NPLG-2P631	1	25055675	!
P911 or	PLUG	1-1123724-2	(1)	25056402	!
RL901	RELAY	NRL-1P5A-DC9-179	1	25065669	!
RL901 or	RELAY	NRL-1P10A-DC9-188	(1)	25065693	!
S7002	R ENCODE	EC12E2425WITH WASHER	1	25065655W	

S7102	PUSH SW	NPS-111-S681	1	25035718T	
S7104	PUSH SW	NPS-111-S681	1	25035718T	
S7106	PUSH SW	NPS-111-S681	1	25035718T	
S7108	PUSH SW	NPS-111-S681	1	25035718T	
S7113	PUSH SW	NPS-111-S681	1	25035718T	
S7115	PUSH SW	NPS-111-S681	1	25035718T	
S7117	PUSH SW	NPS-111-S681	1	25035718T	
S7119	PUSH SW	NPS-111-S681	1	25035718T	
S7121	PUSH SW	NPS-111-S681	1	25035718T	
S7123	PUSH SW	NPS-111-S681	1	25035718T	
S7125	PUSH SW	NPS-111-S681	1	25035718T	
S7127	PUSH SW	NPS-111-S681	1	25035718T	
S7129	PUSH SW	NPS-111-S681	1	25035718T	
S7132	PUSH SW	NPS-111-S681	1	25035718T	
S7134	PUSH SW	NPS-111-S681	1	25035718T	
S7136	PUSH SW	NPS-111-S681	1	25035718T	
S7138	PUSH SW	NPS-111-S681	1	25035718T	
S7140	PUSH SW	NPS-111-S681	1	25035718T	
S7142	PUSH SW	NPS-111-S681	1	25035718T	
S7144	PUSH SW	NPS-111-S681	1	25035718T	
S7146	PUSH SW	NPS-111-S681	1	25035718T	
S7148	PUSH SW	NPS-111-S681	1	25035718T	
S7150	PUSH SW	NPS-111-S681	1	25035718T	
S7152	PUSH SW	NPS-111-S681	1	25035718T	
S7154	PUSH SW	NPS-111-S681	1	25035718T	
S7156	PUSH SW	NPS-111-S681	1	25035718T	
S7158	PUSH SW	NPS-111-S681	1	25035718T	
S7160	PUSH SW	NPS-111-S681	1	25035718T	
S7162	PUSH SW	NPS-111-S681	1	25035718T	
S7164	PUSH SW	NPS-111-S681	1	25035718T	
<b>[TUNER UNIT]</b>					
U7041	REMO SENS	KSM-603TE5B	1	24130019	

<b>U004</b>	<b>U0040 x 2 pcs.</b>
-------------	-----------------------

<b>BAHDM-0678-1A/ 1B *</b>
----------------------------

<b>U0040</b>	<b>HDMI PC BOARD ASS'Y</b>
--------------	----------------------------

<b>BAHDM-0678-1A/ 1B</b>
--------------------------

CIRCUIT NO.	PART NAME	DESCRIPTION	Q'TY	PART NO. (SN)	REMARKS
<b>[SEMI CONDUCTOR]</b>					
D110	C-DIODE	DA2J10100	1	223303R2	N

D110 or	C-DIODE	ISS352	(1)	223234R2	
D110 or	C-DIODE	ISS355	(1)	223269R2	
D110 or	C-DIODE	MA2J111	(1)	223279R2	
D110 or	C-DIODE	KDS4148U	(1)	223283R2	
D111	C-DIODE	DA2J10100	1	223303R2	N
D111 or	C-DIODE	ISS352	(1)	223234R2	
D111 or	C-DIODE	ISS355	(1)	223269R2	
D111 or	C-DIODE	MA2J111	(1)	223279R2	
D111 or	C-DIODE	KDS4148U	(1)	223283R2	
D182	C-DIODE	DA2J10100	1	223303R2	N
D182 or	C-DIODE	ISS352	(1)	223234R2	
D182 or	C-DIODE	ISS355	(1)	223269R2	
D182 or	C-DIODE	MA2J111	(1)	223279R2	
D182 or	C-DIODE	KDS4148U	(1)	223283R2	
D183	C-DIODE	DA2J10100	1	223303R2	N
D183 or	C-DIODE	ISS352	(1)	223234R2	
D183 or	C-DIODE	ISS355	(1)	223269R2	
D183 or	C-DIODE	MA2J111	(1)	223279R2	
D183 or	C-DIODE	KDS4148U	(1)	223283R2	
D601	C-DIODE	DA2J10100	1	223303R2	N
D601 or	C-DIODE	ISS352	(1)	223234R2	
D601 or	C-DIODE	ISS355	(1)	223269R2	
D601 or	C-DIODE	MA2J111	(1)	223279R2	
D601 or	C-DIODE	KDS4148U	(1)	223283R2	
D602	C-DIODE	DA2J10100	1	223303R2	N
D602 or	C-DIODE	ISS352	(1)	223234R2	
D602 or	C-DIODE	ISS355	(1)	223269R2	
D602 or	C-DIODE	MA2J111	(1)	223279R2	
D602 or	C-DIODE	KDS4148U	(1)	223283R2	
D603	C-DIODE	DA2J10100	1	223303R2	N
D603 or	C-DIODE	ISS352	(1)	223234R2	
D603 or	C-DIODE	ISS355	(1)	223269R2	
D603 or	C-DIODE	MA2J111	(1)	223279R2	
D603 or	C-DIODE	KDS4148U	(1)	223283R2	
D701	C-DIODE	DA2J10100	1	223303R2	N
D701 or	C-DIODE	ISS352	(1)	223234R2	
D701 or	C-DIODE	ISS355	(1)	223269R2	
D701 or	C-DIODE	MA2J111	(1)	223279R2	
D701 or	C-DIODE	KDS4148U	(1)	223283R2	



D702	C-DIODE	DA2J10100	1	223303R2	N
D702 or	C-DIODE	1SS352	(1)	223234R2	
D702 or	C-DIODE	1SS355	(1)	223269R2	
D702 or	C-DIODE	MA2J111	(1)	223279R2	
D702 or	C-DIODE	KDS4148U	(1)	223283R2	
D8100	C-DIODE	DA2J10100	1	223303R2	N
D8100 or	C-DIODE	1SS352	(1)	223234R2	
D8100 or	C-DIODE	1SS355	(1)	223269R2	
D8100 or	C-DIODE	MA2J111	(1)	223279R2	
D8100 or	C-DIODE	KDS4148U	(1)	223283R2	
D8145	ESD D	AOZ8804ADI	1	225502R2	
D8146	ESD D	AOZ8804ADI	1	225502R2	
D8931	DIODE	RB050M-30GTR	1	22380373R2	
D8951	DIODE	RB050M-30GTR	1	22380373R2	
D8971	DIODE	RB050M-30GTR	1	22380373R2	
Q153	IC	R1EX25064ASA00A	1	22242581R2	
Q181	TR	KRC105S	1	2217290R2	
Q181 or	TR	RN1405	(1)	2214500R2	
Q201	IC	D808K013BPTP	1	22242693R3	N
Q271	IC	XC6220B121PR	1	22242626R2	
Q272	IC	BU33TD3WG-TR	1	22242715R2	
Q273	IC	XC6220B501PR	1	22242692R2	N
Q275	IC	TPD2E001DRLR	1	22242589R2	
Q276	IC	BD82065FVJ	1	22242718R2	N
Q277	IC	BU33TD3WG-TR	1	22242715R2	
Q278	IC	BU18TD3WG-TR	1	22242716R2	
Q281	IC	K4S641632N-LC60	1	22242603R2	
Q281 or	IC	EM638165TS-7G	(1)	22242607R2	
Q281 or	IC	EM638165TSB-7G	(1)	22242775R2	
Q282	IC (DSP)	W25Q16CVSSIG(0406)	1	222W0118R204066	
Q301	IC	PCM9211PTR	1	22242703R2	
Q3105	IC	MFI341S2164	1	22242594R2	
Q351	IC	PCM1681PWPR	1	22242697R2	N
Q601	TR	KRC104S	1	2216210R2	
Q601 or	TR	RN1404	(1)	2214490R2	
Q701	IC (MAIN)	MPD70F3746GJ-GAE-AX(0405)	1	222W0079R304050	
Q702	IC	S-812C33AUA-C2N	1	22242222R2	
Q703	IC	S-812C56AUA-C3K	1	22242207R2	
Q704	IC	SN74CB3Q3305PWR	1	22242258R2	

Q746	IC	BU33TD3WG-TR	1	22242715R2	
Q751	TR	KRC104S	1	2216210R2	
Q751 or	TR	RN1404	(1)	2214490R2	
Q752	TR	KRA102S	1	2216220R2	
Q752 or	TR	RN2402	(1)	2214530R2	
Q753	TR	KRA107S	1	2216350R2	
Q753 or	TR	RN2407(TE85L_F)	(1)	2216360R2	
Q754	TR	KRC102S	1	2216190R2	
Q754 or	TR	RN1402	(1)	2214470R2	
Q755	TR	KRA107S	1	2216350R2	
Q755 or	TR	RN2407(TE85L_F)	(1)	2216360R2	
Q756	TR	KRC102S	1	2216190R2	
Q756 or	TR	RN1402	(1)	2214470R2	
Q8101	IC	ADV7623	1	22242625R3	
Q8104	IC	MM3404A50NRE	1	22242701R2	N
Q8105	IC(HDMI/ VIDEO)	W25Q16CVSSIG(0407)	1	222W0118R204075	
Q8111	TR	KRC101S	1	2216330R2	
Q8111 or	TR	RN1401(TE85L_F)	(1)	2214460R2	
Q8112	TR	KRC101S	1	2216330R2	
Q8112 or	TR	RN1401(TE85L_F)	(1)	2214460R2	
Q8113	TR	KRC101S	1	2216330R2	
Q8113 or	TR	RN1401(TE85L_F)	(1)	2214460R2	
Q8114	TR	KRC101S	1	2216330R2	
Q8114 or	TR	RN1401(TE85L_F)	(1)	2214460R2	
Q8115	TR	KRC101S	1	2216330R2	
Q8115 or	TR	RN1401(TE85L_F)	(1)	2214460R2	
Q8116	TR	KRC101S	1	2216330R2	
Q8116 or	TR	RN1401(TE85L_F)	(1)	2214460R2	
Q8156	TR ARRAY	UM6K1N	1	226066R2	
Q8931	IC	MP2363DN-LF-Z	1	22242627R2	
Q8951	IC	MP2363DN-LF-Z	1	22242627R2	
Q8971	IC	MP2363DN-LF-Z	1	22242627R2	
Q8972	IC	BU18TD3WG-TR	1	22242716R2	
<b>[TRANS COIL]</b>					
L153	CORE	BLM18PG181SN1D	1	2350005R1	
L201	C-CARBON R	RN72K1J-000JE	1	435030004R1	
L251	CORE	BLM18PG121SN1D	1	2350006R1	
L252	CORE	BLM18PG121SN1D	1	2350006R1	
L253	CORE	BLM18PG121SN1D	1	2350006R1	

L254	CORE	BLM18PG181SN1D	1	2350005R1	
L255	CORE	BLM18PG121SN1D	1	2350006R1	
L271	CORE	BLM18PG181SN1D	1	2350005R1	
L273	CORE	BLM18PG181SN1D	1	2350005R1	
L281	CORE	BLM18PG181SN1D	1	2350005R1	
L301	EMIFIL	BK1608LM182-T	1	230958R1	
L302	EMIFIL	BK1608LL241-T	1	230959R1	
L303	CHOKE COIL	LBC2518T4R7M	1	231364M047R2	
L304	CHOKE COIL	LBC2518T4R7M	1	231364M047R2	
L305	CHOKE COIL	LBC2518T4R7M	1	231364M047R2	
L351	CHOKE COIL	LBC2518T4R7M	1	231364M047R2	
L352	CHOKE COIL	LBC2518T4R7M	1	231364M047R2	
L500	CORE	BLM18PG181SN1D	1	2350005R1	
L740	CORE	BLM18PG181SN1D	1	2350005R1	
L742	CORE	BLM18PG181SN1D	1	2350005R1	
L743	CORE	BLM18PG181SN1D	1	2350005R1	
L744	CORE	BLM18PG181SN1D	1	2350005R1	
L746	CORE	BLM18PG181SN1D	1	2350005R1	
L8101	EMIFIL	BK1608LM182-T	1	230958R1	
L8911	CORE	BLM18PG181SN1D	1	2350005R1	
L8912	CORE	BLM18PG181SN1D	1	2350005R1	
L8921	CORE	BLM18PG181SN1D	1	2350005R1	
L8922	CORE	BLM18PG181SN1D	1	2350005R1	
L8923	CORE	BLM18PG181SN1D	1	2350005R1	
L8931	CHOKE COIL	CDRH8D43_100	1	231371P100R2	
L8931 or	CHOKE COIL	0182-7E08Q-100M-RA	(1)	231396M100R2	
L8931 or	CHOKE COIL	SWRH8D43C-100MT	(1)	231445M100R2	N
L8932	CORE	BLM18PG181SN1D	1	2350005R1	
L8933	CORE	BLM18PG181SN1D	1	2350005R1	
L8934	CORE	BLM18PG181SN1D	1	2350005R1	
L8937	CORE	BLM18PG181SN1D	1	2350005R1	
L8938	CORE	BLM18PG181SN1D	1	2350005R1	
L8939	CORE	BLM18PG181SN1D	1	2350005R1	
L8951	CHOKE COIL	CDRH8D43_100	1	231371P100R2	
L8951 or	CHOKE COIL	0182-7E08Q-100M-RA	(1)	231396M100R2	
L8951 or	CHOKE COIL	SWRH8D43C-100MT	(1)	231445M100R2	N
L8952	CORE	BLM18PG181SN1D	1	2350005R1	
L8953	CORE	BLM18PG181SN1D	1	2350005R1	
L8954	CORE	BLM18PG181SN1D	1	2350005R1	

L8971	CHOKE COIL	CDRH8D43_100	1	231371P100R2	
L8971 or	CHOKE COIL	0182-7E08Q-100M-RA	(1)	231396M100R2	
L8971 or	CHOKE COIL	SWRH8D43C-100MT	(1)	231445M100R2	N
L8972	CORE	BLM18PG181SN1D	1	2350005R1	
L8973	CORE	BLM18PG181SN1D	1	2350005R1	
L8974	CORE	BLM18PG181SN1D	1	2350005R1	
X201	CRYSTAL	HC-49SMD24.000MHz	1	3010479R2	
X301	CRYSTAL	HC-49SMD24.576MHz+/-50ppm	1	3010494R2	
X501	CERA LOCK	CSTCR5M00G53-B0	1	3010356R2	
X8100	CRYSTAL	HC-49USSMD28.6363MHz	1	3010491R2	
<b>[CAPACITOR]</b>					
C151	C-CERA C	CK725B1C-104K0	1	332011045R1	
C201	C-CERA C	CK725B1A-105K0	1	332001055R1	
C202	C-CERA C	CK725B1A-105K0	1	332001055R1	
C203	C-CERA C	CK725B1A-105K0	1	332001055R1	
C204	C-CERA C	CK725B1A-105K0	1	332001055R1	
C205	C-CERA C	CK725B1A-105K0	1	332001055R1	
C206	C-CERA C	CK725B1A-105K0	1	332001055R1	
C207	C-CERA C	CK725B1A-105K0	1	332001055R1	
C208	C-CERA C	CK725B1A-105K0	1	332001055R1	
C209	C-CERA C	CK725B1A-105K0	1	332001055R1	
C210	C-CERA C	CK725B1A-105K0	1	332001055R1	
C211	C-CERA C	CK725B1A-105K0	1	332001055R1	
C212	C-CERA C	CK725B1A-105K0	1	332001055R1	
C213	C-CERA C	CK725B1A-105K0	1	332001055R1	
C214	C-CERA C	CK725B1A-105K0	1	332001055R1	
C215	C-CERA C	CK725B1A-105K0	1	332001055R1	
C216	C-CERA C	CK725B1A-105K0	1	332001055R1	
C217	C-CERA C	CK725B1A-105K0	1	332001055R1	
C218	C-CERA C	CK725B1A-105K0	1	332001055R1	
C219	C-CERA C	CK725B1A-105K0	1	332001055R1	
C221	C-CERA C	CK725B1A-105K0	1	332001055R1	
C222	C-CERA C	CK725B1A-105K0	1	332001055R1	
C223	C-CERA C	CK725B1A-105K0	1	332001055R1	
C224	C-CERA C	CK725B1A-105K0	1	332001055R1	
C225	C-CERA C	CK725B1A-105K0	1	332001055R1	
C226	C-CERA C	CK725B1A-105K0	1	332001055R1	
C227	C-CERA C	CK725B1A-105K0	1	332001055R1	
C228	C-CERA C	CK725B1A-105K0	1	332001055R1	

C229	C-CERA C	CK725B1A-105K0	1	332001055R1	
C230	C-CERA C	CK725B1A-105K0	1	332001055R1	
C231	C-CERA C	CK725B1A-105K0	1	332001055R1	
C232	C-CERA C	CK725B1A-105K0	1	332001055R1	
C233	C-CERA C	CK725B1A-105K0	1	332001055R1	
C234	C-CERA C	CK725B1A-105K0	1	332001055R1	
C235	C-CERA C	CK725B1A-105K0	1	332001055R1	
C236	C-CERA C	CK725B1A-105K0	1	332001055R1	
C237	C-CERA C	CK725B1A-105K0	1	332001055R1	
C238	C-CERA C	CK725B1A-105K0	1	332001055R1	
C239	C-CERA C	CK725B1A-105K0	1	332001055R1	
C240	C-CERA C	CK725B1A-105K0	1	332001055R1	
C241	C-CERA C	CK725B1A-105K0	1	332001055R1	
C242	C-CERA C	CK725B1A-105K0	1	332001055R1	
C251	C-CERA C	CK732B16V-106K	1	332071065R2	N
C252	C-CERA C	CK732B16V-106K	1	332071065R2	N
C253	C-CERA C	CK732B16V-106K	1	332071065R2	N
C254	C-CERA C	CK732B16V-106K	1	332071065R2	N
C255	C-CERA C	CK732B16V-106K	1	332071065R2	N
C256	C-CERA C	CK725B1A-105K0	1	332001055R1	
C261	C-CERA C	CK725B1A-224K0	1	332002245R1	
C262	C-CERA C	CK725B1C-104K0	1	332011045R1	
C263	C-CERA C	CK725B1C-103K0	1	332011035R1	
C264	C-CERA C	CK725B1A-105K0	1	332001055R1	
C265	C-CERA C	CC725CH1H-120J0	1	342031204R1	N
C266	C-CERA C	CC725CH1H-120J0	1	342031204R1	N
C267	C-CERA C	CK725B1H-102K0	1	332031025R1	
C268	C-CERA C	CK725B1A-105K0	1	332001055R1	
C269	C-CERA C	CK725B1A-105K0	1	332001055R1	
C270	C-CERA C	CK732B16V-106K	1	332071065R2	N
C271	C-CERA C	CK732B16V-106K	1	332071065R2	N
C272	C-CERA C	CK732B16V-106K	1	332071065R2	N
C273	C-CERA C	CK732B16V-106K	1	332071065R2	N
C274	C-CERA C	CK725B1A-105K0	1	332001055R1	
C275	CHIP ELECT C	CEWX10V-220M	1	398132217R2	
C276	C-CERA C	CK725B1H-102K0	1	332031025R1	
C277	CHIP ELECT C	CEWX16V-100M	1	398141017R2	
C278	C-CERA C	CK725B1A-105K0	1	332001055R1	
C279	C-CERA C	CK732B16V-106K	1	332071065R2	N

C280	C-CERA C	CK725B1A-105K0	1	332001055R1	
C281	C-CERA C	CK732B16V-106K	1	332071065R2	N
C282	C-CERA C	CK732B16V-106K	1	332071065R2	N
C283	C-CERA C	CK725B1A-105K0	1	332001055R1	
C284	C-CERA C	CK725B1A-105K0	1	332001055R1	
C285	C-CERA C	CK725B1A-105K0	1	332001055R1	
C286	C-CERA C	CK725B1A-105K0	1	332001055R1	
C287	C-CERA C	CK725B1A-105K0	1	332001055R1	
C288	C-CERA C	CK725B1A-105K0	1	332001055R1	
C289	C-CERA C	CK725B1A-105K0	1	332001055R1	
C290	C-CERA C	CK725B1A-105K0	1	332001055R1	
C293	C-CERA C	CK725B1H-102K0	1	332031025R1	
C294	C-CERA C	CK725B1H-102K0	1	332031025R1	
C295	C-CERA C	CK725B1H-102K0	1	332031025R1	
C296	C-CERA C	CK725B1H-102K0	1	332031025R1	
C301	C-CERA C	CC725CH1H-180J0	1	342031804R1	
C302	C-CERA C	CC725CH1H-180J0	1	342031804R1	
C305	C-CERA C	CK725B1C-104K0	1	332011045R1	
C306	CHIP ELECT C	CEWX4V-220M	1	3981G2217R2	
C307	C-CERA C	CK725B1C-104K0	1	332011045R1	
C3117	C-CERA C	CK725B1H-102K0	1	332031025R1	
C3118	C-CERA C	CK725B1A-105K0	1	332001055R1	
C312	C-CERA C	CC725CH1H-221J0	1	342032214R1	N
C313	C-CERA C	CK725B1C-104K0	1	332011045R1	
C314	CHIP ELECT C	CEWX4V-220M	1	3981G2217R2	
C315	C-CERA C	CK725B1H-472K0	1	332034725R1	
C316	C-CERA C	CK725B1C-473K0	1	332014735R1	N
C317	C-CERA C	CK725B1C-104K0	1	332011045R1	
C318	CHIP ELECT C	CEWX10V-220M	1	398132217R2	
C319	CHIP ELECT C	CEWX16V-47M	1	398144707R2	
C320	C-CERA C	CK725B1E-223K0	1	332022235R1	N
C351	CHIP ELECT C	CEWX4V-220M	1	3981G2217R2	
C352	C-CERA C	CK725B1C-104K0	1	332011045R1	
C353	CHIP ELECT C	CEWX10V-220M	1	398132217R2	
C354	C-CERA C	CK725B1C-104K0	1	332011045R1	
C355	C-CERA C	CK725B1C-104K0	1	332011045R1	
C356	CHIP ELECT C	CEWX16V-47M	1	398144707R2	
C365	CHIP ELECT C	CEWX50V-10M	1	398181007R2	
C366	CHIP ELECT C	CEWX50V-10M	1	398181007R2	

C367	CHIP ELECT C	CEWX50V-10M	1	398181007R2	
C368	CHIP ELECT C	CEWX50V-10M	1	398181007R2	
C369	CHIP ELECT C	CEWX50V-10M	1	398181007R2	
C370	CHIP ELECT C	CEWX50V-10M	1	398181007R2	
C501	C-CERA C	CK732B16V-106K	1	332071065R2	N
C502	C-CERA C	CK725B1C-104K0	1	332011045R1	
C503	C-CERA C	CK725B1C-104K0	1	332011045R1	
C504	C-CERA C	CK725B1C-104K0	1	332011045R1	
C505	C-CERA C	CK725B1C-104K0	1	332011045R1	
C507	C-CERA C	CK725B1C-104K0	1	332011045R1	
C508	C-CERA C	CK725B1C-104K0	1	332011045R1	
C509	C-CERA C	CK732B16V-106K	1	332071065R2	N
C511	C-CERA C	CK725B1H-102K0	1	332031025R1	
C512	C-CERA C	CK725B1H-102K0	1	332031025R1	
C514	C-CERA C	CK725B1C-104K0	1	332011045R1	
C515	C-CERA C	CK725B1C-104K0	1	332011045R1	
C516	C-CERA C	CK725B1C-104K0	1	332011045R1	
C517	C-CERA C	CK725B1C-104K0	1	332011045R1	
C518	C-CERA C	CK725B1H-102K0	1	332031025R1	
C519	C-CERA C	CK725B1H-102K0	1	332031025R1	
C520	C-CERA C	CK725B1H-102K0	1	332031025R1	
C521	C-CERA C	CK725B1H-102K0	1	332031025R1	
C522	C-CERA C	CK725B1C-104K0	1	332011045R1	
C523	C-CERA C	CK725B1H-102K0	1	332031025R1	
C524	C-CERA C	CK725B1H-102K0	1	332031025R1	
C525	C-CERA C	CK725B1C-104K0	1	332011045R1	
C526	C-CERA C	CK725B1H-102K0	1	332031025R1	
C527	C-CERA C	CK725B1H-102K0	1	332031025R1	
C528	C-CERA C	CK725B1C-104K0	1	332011045R1	
C613	C-CERA C	CK732B1C-474K	1	337394745R1	
C701	C-CERA C	CK732B16V-106K	1	332071065R2	N
C702	C-CERA C	CK732B16V-106K	1	332071065R2	N
C703	C-CERA C	CK732B16V-106K	1	332071065R2	N
C705	C-CERA C	CK732B16V-106K	1	332071065R2	N
C706	C-CERA C	CK725B1E-106K	1	332221065R2	
C707	C-CERA C	CK732B16V-106K	1	332071065R2	N
C708	C-CERA C	CK732B16V-106K	1	332071065R2	N
C709	C-CERA C	CK725B1E-106K	1	332221065R2	
C710	C-CERA C	CK725B1C-104K0	1	332011045R1	

C745	C-CERA C	CK732B16V-106K	1	332071065R2	N
C751	C-CERA C	CK725B1A-105K0	1	332001055R1	
C753	CHIP ELECT C	CEWT6.3V-470M	1	395724717R2	
C8103	C-CERA C	CK725B1C-104K0	1	332011045R1	
C8104	C-CERA C	CK725B1H-102K0	1	332031025R1	
C8105	C-CERA C	CK725B1C-104K0	1	332011045R1	
C8106	C-CERA C	CK725B1H-102K0	1	332031025R1	
C8107	C-CERA C	CK725B1C-104K0	1	332011045R1	
C8108	C-CERA C	CK725B1H-102K0	1	332031025R1	
C8109	C-CERA C	CK725B1C-104K0	1	332011045R1	
C8110	C-CERA C	CK725B1H-102K0	1	332031025R1	
C8111	C-CERA C	CK725B1C-104K0	1	332011045R1	
C8112	C-CERA C	CK725B1H-102K0	1	332031025R1	
C8113	C-CERA C	CK725B1C-104K0	1	332011045R1	
C8114	C-CERA C	CK725B1H-102K0	1	332031025R1	
C8115	C-CERA C	CK725B1C-104K0	1	332011045R1	
C8116	C-CERA C	CK725B1H-102K0	1	332031025R1	
C8118	C-CERA C	CK725B1H-102K0	1	332031025R1	
C8119	C-CERA C	CK725B1C-104K0	1	332011045R1	
C8120	C-CERA C	CK725B1H-102K0	1	332031025R1	
C8121	C-CERA C	CK725B1C-104K0	1	332011045R1	
C8122	C-CERA C	CK725B1C-104K0	1	332011045R1	
C8123	CERA C	CC725CH1H-070C0	1	342030701R1	N
C8124	C-CERA C	CK725B1H-102K0	1	332031025R1	
C8125	C-CERA C	CK725B1H-102K0	1	332031025R1	
C8126	C-CERA C	CK725B1C-104K0	1	332011045R1	
C8127	CERA C	CC725CH1H-070C0	1	342030701R1	N
C8128	C-CERA C	CK725B1H-102K0	1	332031025R1	
C8129	C-CERA C	CK725B1C-104K0	1	332011045R1	
C8130	C-CERA C	CK725B1H-102K0	1	332031025R1	
C8131	C-CERA C	CK725B1H-102K0	1	332031025R1	
C8132	C-CERA C	CK725B1H-102K0	1	332031025R1	
C8133	C-CERA C	CK725B1C-104K0	1	332011045R1	
C8134	C-CERA C	CK725B1H-102K0	1	332031025R1	
C8135	C-CERA C	CK725B1C-104K0	1	332011045R1	
C8136	C-CERA C	CK725B1H-102K0	1	332031025R1	
C8137	C-CERA C	CK725B1C-104K0	1	332011045R1	
C8138	C-CERA C	CK725B1H-102K0	1	332031025R1	
C8139	C-CERA C	CK725B1H-102K0	1	332031025R1	



C8140	C-CERA C	CK725B1C-104K0	1	332011045R1	
C8141	C-CERA C	CK725B1H-102K0	1	332031025R1	
C8142	C-CERA C	CK725B1C-104K0	1	332011045R1	
C8143	C-CERA C	CK725B1H-102K0	1	332031025R1	
C8144	C-CERA C	CK725B1H-102K0	1	332031025R1	
C8145	C-CERA C	CK725B1H-102K0	1	332031025R1	
C8146	C-CERA C	CK725B1C-104K0	1	332011045R1	
C8147	C-CERA C	CK725B1H-102K0	1	332031025R1	
C8148	C-CERA C	CK725B1C-104K0	1	332011045R1	
C8149	C-CERA C	CK725B1H-102K0	1	332031025R1	
C8151	C-CERA C	CK725B1C-104K0	1	332011045R1	
C8152	C-CERA C	CK725B1H-102K0	1	332031025R1	
C8153	C-CERA C	CK725B1C-104K0	1	332011045R1	
C8154	C-CERA C	CK725B1H-102K0	1	332031025R1	
C8155	C-CERA C	CK725B1C-104K0	1	332011045R1	
C8156	C-CERA C	CK725B1H-102K0	1	332031025R1	
C8158	C-CERA C	CK725B1C-104K0	1	332011045R1	
C8159	C-CERA C	CK725B1H-102K0	1	332031025R1	
C8160	C-CERA C	CK725B1C-104K0	1	332011045R1	
C8161	C-CERA C	CK725B1H-102K0	1	332031025R1	
C8162	C-CERA C	CK725B1C-104K0	1	332011045R1	
C8163	C-CERA C	CK725B1H-102K0	1	332031025R1	
C8164	C-CERA C	CK725B1C-104K0	1	332011045R1	
C8165	C-CERA C	CK725B1H-102K0	1	332031025R1	
C8166	C-CERA C	CK725B1H-102K0	1	332031025R1	
C8168	C-CERA C	CK725B1H-102K0	1	332031025R1	
C8170	C-CERA C	CK725B1C-104K0	1	332011045R1	
C8175	C-CERA C	CK725B1H-102K0	1	332031025R1	
C8176	C-CERA C	CK725B1A-105K0	1	332001055R1	
C8177	C-CERA C	CK725B1A-105K0	1	332001055R1	
C8911	C-CERA C	CK732B16V-106K	1	332071065R2	N
C8921	C-CERA C	CK732B16V-106K	1	332071065R2	N
C8922	C-CERA C	CK732B16V-106K	1	332071065R2	N
C8926	C-CERA C	CK725B1A-105K0	1	332001055R1	
C8931	C-CERA C	CK725B1E-106K	1	332221065R2	
C8932	C-CERA C	CK725B1E-106K	1	332221065R2	
C8933	C-CERA C	CK732B16V-106K	1	332071065R2	N
C8934	C-CERA C	CK732B16V-106K	1	332071065R2	N
C8935	C-CERA C	CK732B16V-106K	1	332071065R2	N

C8936	CHIP ELECT C	CEWX16V-100M	1	398141017R2	
C8937	C-CERA C	CK725B1C-104K0	1	332011045R1	
C8938	C-CERA C	CK725B1E-223K0	1	332022235R1	N
C8939	C-CERA C	CK725B1C-104K0	1	332011045R1	
C8940	C-CERA C	CK725B1E-103K0	1	332021035R1	
C8943	C-CERA C	CC725CH1H-151J0	1	342031514R1	N
C8950	CHIP ELECT C	CEWX16V-100M	1	398141017R2	
C8951	C-CERA C	CK725B1E-106K	1	332221065R2	
C8952	C-CERA C	CK725B1E-106K	1	332221065R2	
C8953	C-CERA C	CK732B16V-106K	1	332071065R2	N
C8954	C-CERA C	CK732B16V-106K	1	332071065R2	N
C8955	C-CERA C	CK732B16V-106K	1	332071065R2	N
C8956	CHIP ELECT C	CEWX16V-100M	1	398141017R2	
C8957	C-CERA C	CK725B1C-104K0	1	332011045R1	
C8958	C-CERA C	CK725B1E-223K0	1	332022235R1	N
C8959	C-CERA C	CK725B1C-104K0	1	332011045R1	
C8960	C-CERA C	CK725B1E-103K0	1	332021035R1	
C8963	C-CERA C	CC725CH1H-151J0	1	342031514R1	N
C8971	C-CERA C	CK725B1E-106K	1	332221065R2	
C8972	C-CERA C	CK725B1E-106K	1	332221065R2	
C8973	C-CERA C	CK732B16V-106K	1	332071065R2	N
C8974	C-CERA C	CK732B16V-106K	1	332071065R2	N
C8975	C-CERA C	CK732B16V-106K	1	332071065R2	N
C8976	CHIP ELECT C	CEWX16V-100M	1	398141017R2	
C8977	C-CERA C	CK725B1C-104K0	1	332011045R1	
C8978	C-CERA C	CK725B1E-223K0	1	332022235R1	N
C8979	C-CERA C	CK725B1C-104K0	1	332011045R1	
C8980	C-CERA C	CK725B1E-682K0	1	332026825R1	N
C8983	C-CERA C	CK725B1A-105K0	1	332001055R1	
C8984	C-CERA C	CK725B1A-105K0	1	332001055R1	
C8985	C-CERA C	CK725B1A-105K0	1	332001055R1	
C8986	C-CERA C	CK725B1A-105K0	1	332001055R1	
C8987	C-CERA C	CK725B1A-105K0	1	332001055R1	
C8988	C-CERA C	CK725B1A-105K0	1	332001055R1	
<b>[RESISTOR]</b>					
R110	C-CARBON R	RN72K1J-103JE	1	435031034R1	
R151	C-CARBON R	RN72K1J-103JE	1	435031034R1	
R152	C-CARBON R	RN72K1J-103JE	1	435031034R1	
R154	C-CARBON R	RN72K1J-103JE	1	435031034R1	

R201	C-CARBON R	RN72K1J-103JE	1	435031034R1
R202	C-CARBON R	RN72K1J-103JE	1	435031034R1
R203	C-CARBON R	RN72K1J-103JE	1	435031034R1
R204	C-CARBON R	RN72K1J-472JE	1	435034724R1
R205	C-CARBON R	RN72K1J-221JE	1	435032214R1
R206	C-CARBON R	RN72K1J-470JE	1	435034704R1
R207	C-CARBON R	RN72K1J-470JE	1	435034704R1
R208	C-CARBON R	RN72K1J-470JE	1	435034704R1
R209	C-CARBON R	RN72K1J-470JE	1	435034704R1
R210	C-CARBON R	RN72K1J-470JE	1	435034704R1
R211	C-CARBON R	RN72K1J-470JE	1	435034704R1
R212	C-CARBON R	RN72K1J-103JE	1	435031034R1
R213	C-CARBON R	RN72K1J-103JE	1	435031034R1
R214	C-CARBON R	RN72K1J-331JE	1	435033314R1
R215	C-CARBON R	RN72K1J-103JE	1	435031034R1
R216	C-CARBON R	RN72K1J-470JE	1	435034704R1
R220	C-R NET	RM7LJ330X04	1	43484733004R2
R221	C-R NET	RM7LJ330X04	1	43484733004R2
R222	C-R NET	RM7LJ330X04	1	43484733004R2
R223	C-R NET	RM7LJ330X04	1	43484733004R2
R224	C-R NET	RM7LJ330X04	1	43484733004R2
R225	C-R NET	RM7LJ330X04	1	43484733004R2
R226	C-R NET	RM7LJ330X04	1	43484733004R2
R227	C-R NET	RM7LJ330X04	1	43484733004R2
R228	C-R NET	RM7LJ330X04	1	43484733004R2
R229	C-R NET	RM7LJ330X04	1	43484733004R2
R230	C-CARBON R	RN72K1J-330JE	1	435033304R1
R231	C-CARBON R	RN72K1J-103JE	1	435031034R1
R232	C-CARBON R	RN72K1J-103JE	1	435031034R1
R235	C-CARBON R	RN72K1J-470JE	1	435034704R1
R236	C-CARBON R	RN72K1J-470JE	1	435034704R1
R237	C-CARBON R	RN72K1J-470JE	1	435034704R1
R238	C-CARBON R	RN72K1J-331JE	1	435033314R1
R239	C-CARBON R	RN72K1J-331JE	1	435033314R1
R240	C-CARBON R	RN72K1J-331JE	1	435033314R1
R241	C-CARBON R	RN72K1J-331JE	1	435033314R1
R242	C-CARBON R	RN72K1J-470JE	1	435034704R1
R243	C-CARBON R	RN72K1J-331JE	1	435033314R1
R244	C-CARBON R	RN72K1J-221JE	1	435032214R1

R245	C-CARBON R	RN72K1J-470JE	1	435034704R1
R246	C-CARBON R	RN72K1J-470JE	1	435034704R1
R247	C-CARBON R	RN72K1J-103JE	1	435031034R1
R248	C-CARBON R	RN72K1J-331JE	1	435033314R1
R249	C-CARBON R	RN72K1J-331JE	1	435033314R1
R252	C-CARBON R	RN72K1J-000JE	1	435030004R1
R253	C-CARBON R	RN72K1J-221JE	1	435032214R1
R254	C-CARBON R	RN72K1J-103JE	1	435031034R1
R255	C-CARBON R	RN72K1J-221JE	1	435032214R1
R256	C-CARBON R	RN72K1J-470JE	1	435034704R1
R257	C-CARBON R	RN72K1J-470JE	1	435034704R1
R262	C-CARBON R	RN72K1J-103JE	1	435031034R1
R263	C-CARBON R	RN72K1J-103JE	1	435031034R1
R264	C-CARBON R	RN72K1J-103JE	1	435031034R1
R265	C-CARBON R	RN72K1J-221JE	1	435032214R1
R271	C-CARBON R	RN72K1J-000JE	1	435030004R1
R272	C-CARBON R	RN72K1J-000JE	1	435030004R1
R273	C-CARBON R	RN72K1J-000JE	1	435030004R1
R276	C-CARBON R	RN72K1J-473JE	1	435034734R1
R277	C-CARBON R	RN72K1J-222JE	1	435032224R1
R281	C-CARBON R	RN72K1J-103JE	1	435031034R1
R282	C-CARBON R	RN72K1J-103JE	1	435031034R1
R284	C-CARBON R	RN72K1J-103JE	1	435031034R1
R301	C-CARBON R	RN72K1J-470JE	1	435034704R1
R304	C-CARBON R	RN72K1J-221JE	1	435032214R1
R305	C-CARBON R	RN72K1J-221JE	1	435032214R1
R306	C-CARBON R	RN72K1J-330JE	1	435033304R1
R307	C-CARBON R	RN72K1J-331JE	1	435033314R1
R308	C-CARBON R	RN72K1J-331JE	1	435033314R1
R312	C-CARBON R	RN72K1J-470JE	1	435034704R1
R313	C-CARBON R	RN72K1J-470JE	1	435034704R1
R314	C-CARBON R	RN72K1J-151JE	1	435031514R1
R315	C-CARBON R	RN72K1J-470JE	1	435034704R1
R316	C-CARBON R	RN72K1J-470JE	1	435034704R1
R317	C-CARBON R	RN72K1J-331JE	1	435033314R1
R321	C-CARBON R	RN72K1J-331JE	1	435033314R1
R322	C-CARBON R	RN72K1J-331JE	1	435033314R1
R324	C-CARBON R	RN72K1J-331JE	1	435033314R1
R325	C-CARBON R	RN72K1J-331JE	1	435033314R1

R326	C-CARBON R	RN72K1J-331JE	1	435033314R1
R327	C-CARBON R	RN72K1J-221JE	1	435032214R1
R331	C-CARBON R	RN72K1J-221JE	1	435032214R1
R332	C-CARBON R	RN72K1J-681JE	1	435036814R1
R333	C-CARBON R	RN72K1J-221JE	1	435032214R1
R351	C-CARBON R	RN72K1J-331JE	1	435033314R1
R352	C-CARBON R	RN72K1J-331JE	1	435033314R1
R354	C-CARBON R	RN72K1J-470JE	1	435034704R1
R355	C-CARBON R	RN72K1J-220JE	1	435032204R1
R356	C-CARBON R	RN72K1J-220JE	1	435032204R1
R357	C-CARBON R	RN72K1J-220JE	1	435032204R1
R359	C-CARBON R	RN72K1J-220JE	1	435032204R1
R360	C-CARBON R	RN72K1J-220JE	1	435032204R1
R361	C-CARBON R	RN72K1J-331JE	1	435033314R1
R362	C-CARBON R	RN72K1J-000JE	1	435030004R1
R365	C-CARBON R	RN72K1J-104JE	1	435031044R1
R366	C-CARBON R	RN72K1J-104JE	1	435031044R1
R367	C-CARBON R	RN72K1J-104JE	1	435031044R1
R368	C-CARBON R	RN72K1J-104JE	1	435031044R1
R369	C-CARBON R	RN72K1J-104JE	1	435031044R1
R370	C-CARBON R	RN72K1J-104JE	1	435031044R1
R501	C-CARBON R	RN72K1J-473JE	1	435034734R1
R503	C-CARBON R	RN72K1J-103JE	1	435031034R1
R504	C-CARBON R	RN72K1J-000JE	1	435030004R1
R505	C-CARBON R	RN72K1J-103JE	1	435031034R1
R508	C-CARBON R	RN72K1J-105JE	1	435031054R1
R509	C-CARBON R	RN72K1J-221JE	1	435032214R1
R510	C-CARBON R	RN72K1J-470JE	1	435034704R1
R511	C-CARBON R	RN72K1J-103JE	1	435031034R1
R512	C-CARBON R	RN72K1J-221JE	1	435032214R1
R514	C-CARBON R	RN72K1J-221JE	1	435032214R1
R515	C-R NET	RM7LJ470X04	1	43484747004R2
R520	C-CARBON R	RN72K1J-103JE	1	435031034R1
R521	C-R NET	RM7LJ470X04	1	43484747004R2
R532	C-CARBON R	RN72K1J-472JE	1	435034724R1
R533	C-CARBON R	RN72K1J-472JE	1	435034724R1
R534	C-R NET	RM7LJ103X04	1	43484710304R2
R538	C-CARBON R	RN72K1J-103JE	1	435031034R1
R539	C-R NET	RM7LJ470X04	1	43484747004R2

R543	C-CARBON R	RN72K1J-103JE	1	435031034R1
R544	C-R NET	RM7LJ221X04	1	43484722104R2
R550	C-R NET	RM7LJ470X04	1	43484747004R2
R551	C-CARBON R	RN72K1J-103JE	1	435031034R1
R552	C-CARBON R	RN72K1J-103JE	1	435031034R1
R554	C-CARBON R	RN72K1J-103JE	1	435031034R1
R560	C-CARBON R	RN72K1J-103JE	1	435031034R1
R562	C-CARBON R	RN72K1J-221JE	1	435032214R1
R565	C-R NET	RM7LJ470X04	1	43484747004R2
R566	C-CARBON R	RN72K1J-103JE	1	435031034R1
R568	C-CARBON R	RN72K1J-103JE	1	435031034R1
R570	C-CARBON R	RN72K1J-103JE	1	435031034R1
R572	C-CARBON R	RN72K1J-103JE	1	435031034R1
R573	C-CARBON R	RN72K1J-221JE	1	435032214R1
R574	C-R NET	RM7LJ470X04	1	43484747004R2
R577	C-CARBON R	RN72K1J-103JE	1	435031034R1
R579	C-CARBON R	RN72K1J-470JE	1	435034704R1
R580	C-R NET	RM7LJ103X04	1	43484710304R2
R582	C-R NET	RM7LJ221X04	1	43484722104R2
R590	C-CARBON R	RN72K1J-103JE	1	435031034R1
R595	C-R NET	RM7LJ221X04	1	43484722104R2
R596	C-CARBON R	RN72K1J-103JE	1	435031034R1
R599	C-R NET	RM7LJ103X04	1	43484710304R2
R601	C-R NET	RM7LJ470X04	1	43484747004R2
R605	C-CARBON R	RN72K1J-221JE	1	435032214R1
R606	C-CARBON R	RN72K1J-470JE	1	435034704R1
R607	C-CARBON R	RN72K1J-221JE	1	435032214R1
R609	C-CARBON R	RN72K1J-102JE	1	435031024R1
R610	C-CARBON R	RN72K1J-221JE	1	435032214R1
R611	C-CARBON R	RN72K1J-102JE	1	435031024R1
R613	C-CARBON R	RN72K1J-102JE	1	435031024R1
R614	C-CARBON R	RN72K1J-103JE	1	435031034R1
R615	C-CARBON R	RN72K1J-101JE	1	435031014R1
R617	C-CARBON R	RN72K1J-221JE	1	435032214R1
R618	C-CARBON R	RN72K1J-103JE	1	435031034R1
R619	C-CARBON R	RN72K1J-470JE	1	435034704R1
R620	C-CARBON R	RN72K1J-103JE	1	435031034R1
R621	C-CARBON R	RN72K1J-221JE	1	435032214R1
R622	C-CARBON R	RN72K1J-470JE	1	435034704R1

R623	C-CARBON R	RN72K1J-103JE	1	435031034R1	
R624	C-CARBON R	RN72K1J-221JE	1	435032214R1	
R625	C-CARBON R	RN72K1J-470JE	1	435034704R1	
R627	C-CARBON R	RN72K1J-103JE	1	435031034R1	
R631	C-CARBON R	RN72K1J-470JE	1	435034704R1	
R633	C-CARBON R	RN72K1J-103JE	1	435031034R1	
R635	C-CARBON R	RN72K1J-103JE	1	435031034R1	
R638	C-CARBON R	RN72K1J-470JE	1	435034704R1	
R639	C-CARBON R	RN72K1J-103JE	1	435031034R1	
R640	C-CARBON R	RN72K1J-470JE	1	435034704R1	
R642	C-CARBON R	RN72K1J-221JE	1	435032214R1	
R644	C-CARBON R	RN72K1J-221JE	1	435032214R1	
R646	C-CARBON R	RN72K1J-221JE	1	435032214R1	
R650	C-CARBON R	RN72K1J-221JE	1	435032214R1	
R651	C-CARBON R	RN72K1J-103JE	1	435031034R1	
R652	C-CARBON R	RN72K1J-102JE	1	435031024R1	
R653	C-CARBON R	RN72K1J-105JE	1	435031054R1	
R655	C-CARBON R	RN72K1J-223JE	1	435032234R1	
R656	C-CARBON R	RN72K1J-223JE	1	435032234R1	
R657	C-CARBON R	RN72K1J-224JE	1	435032244R1	
R658	C-CARBON R	RN72K1J-221JE	1	435032214R1	
R659	C-CARBON R	RN72K1J-273JE	1	435032734R1	
R660	C-CARBON R	RN72K1J-221JE	1	435032214R1	
R661	C-CARBON R	RN72K1J-221JE	1	435032214R1	
R662	C-CARBON R	RN72K1J-000JE	1	435030004R1	
R664	C-CARBON R	RN72K1J-000JE	1	435030004R1	
R666	C-CARBON R	RN72K1J-000JE	1	435030004R1	
R668	C-CARBON R	RN72K1J-103JE	1	435031034R1	<MDC>
R669	C-CARBON R	RN72K1J-103JE	1	435031034R1	<MPP>
R669	C-CARBON R	RN72K1J-333JE	1	435033334R1	<MDC>
R670	C-CARBON R	RN72K1J-472JE	1	435034724R1	
R671	C-CARBON R	RN72K1J-272JE	1	435032724R1	
R672	C-CARBON R	RN72K1J-472JE	1	435034724R1	
R673	C-CARBON R	RN72K1J-272JE	1	435032724R1	
R674	C-CARBON R	RN72K1J-472JE	1	435034724R1	
R675	C-CARBON R	RN72K1J-272JE	1	435032724R1	
R676	C-CARBON R	RN72K1J-472JE	1	435034724R1	
R677	C-CARBON R	RN72K1J-272JE	1	435032724R1	
R678	C-CARBON R	RN72K1J-224JE	1	435032244R1	

R681	C-CARBON R	RN72K1J-103JE	1	435031034R1
R682	C-CARBON R	RN72K1J-103JE	1	435031034R1
R687	C-CARBON R	RN72K1J-103JE	1	435031034R1
R688	C-R NET	RM7LJ103X04	1	43484710304R2
R690	C-R NET	RM7LJ470X04	1	43484747004R2
R692	C-R NET	RM7LJ472X04	1	43484747204R2
R693	C-R NET	RM7LJ470X04	1	43484747004R2
R701	C-CARBON R	RN72K1J-000JE	1	435030004R1
R712	C-CARBON R	RN72K1J-102JE	1	435031024R1
R713	C-CARBON R	RN72K1J-222JE	1	435032224R1
R714	C-CARBON R	RN72K1J-103JE	1	435031034R1
R715	C-CARBON R	RN72K1J-103JE	1	435031034R1
R716	C-CARBON R	RN72K1J-470JE	1	435034704R1
R723	C-CARBON R	RN72K1J-101JE	1	435031014R1
R724	C-CARBON R	RN72K1J-101JE	1	435031014R1
R725	C-CARBON R	RN72K1J-221JE	1	435032214R1
R726	C-CARBON R	RN72K1J-273JE	1	435032734R1
R727	C-CARBON R	RN72K1J-103JE	1	435031034R1
R803	C-CARBON R	RN72K1J-000JE	1	435030004R1
R8118	C-CARBON R	RN72K1J-102JE	1	435031024R1
R8119	C-CARBON R	RN72K1J-102JE	1	435031024R1
R8120	C-CARBON R	RN72K1J-000JE	1	435030004R1
R8121	C-CARBON R	RN72K1J-102JE	1	435031024R1
R8122	C-CARBON R	RN72K1J-473JE	1	435034734R1
R8125	C-CARBON R	RN72K1J-101JE	1	435031014R1
R8126	C-CARBON R	RN72K1J-101JE	1	435031014R1
R8127	C-CARBON R	RN72K1J-330JE	1	435033304R1
R8128	C-CARBON R	RN72K1J-331JE	1	435033314R1
R8129	C-CARBON R	RN72K1J-330JE	1	435033304R1
R8131	C-R NET	RM7LJ330X04	1	43484733004R2
R8132	C-R NET	RM7LJ101X04	1	43484710104R2
R8136	C-CARBON R	RN72K1J-102JE	1	435031024R1
R8138	C-CARBON R	RN72K1J-000JE	1	435030004R1
R8140	C-CARBON R	RN72K1J-473JE	1	435034734R1
R8142	C-CARBON R	RN72K1J-220JE	1	435032204R1
R8148	C-CARBON R	RN72K1J-473JE	1	435034734R1
R8150	C-R NET	RM7LJ470X04	1	43484747004R2
R8154	C-R NET	RM7LJ220X04	1	43484722004R2
R8158	C-CARBON R	RN72K1J-473JE	1	435034734R1



R8159	C-CARBON R	RN72K1J-182JE	1	435031824R1	
R8160	C-CARBON R	RN72K1J-182JE	1	435031824R1	
R8161	C-CARBON R	RN72K1J-821FE	1	435038212R1	
R8162	C-CARBON R	RN72K1J-680JE	1	435036804R1	
R8166	C-CARBON R	RN72K1J-102JE	1	435031024R1	
R8167	C-CARBON R	RN72K1J-000JE	1	435030004R1	
R8169	C-CARBON R	RN72K1J-473JE	1	435034734R1	
R8172	C-CARBON R	RN72K1J-103JE	1	435031034R1	
R8177	C-CARBON R	RN72K1J-101JE	1	435031014R1	
R8178	C-CARBON R	RN72K1J-101JE	1	435031014R1	
R8179	C-CARBON R	RN72K1J-101JE	1	435031014R1	
R8180	C-CARBON R	RN72K1J-101JE	1	435031014R1	
R8181	C-CARBON R	RN72K1J-100JE	1	435031004R1	
R8182	C-CARBON R	RN72K1J-100JE	1	435031004R1	
R8191	C-CARBON R	RN72K1J-103JE	1	435031034R1	
R8192	C-CARBON R	RN72K1J-103JE	1	435031034R1	
R8193	C-CARBON R	RN72K1J-103JE	1	435031034R1	
R8933	C-CARBON R	RN72K1J-563FE	1	435035632R1	
R8934	C-CARBON R	RN72K1J-274JE	1	435032744R1	
R8935	C-CARBON R	RN72K1J-103FE	1	435031032R1	
R8936	C-CARBON R	RN72K1J-822JE	1	435038224R1	
R8951	C-CARBON R	RN72K1J-103JE	1	435031034R1	
R8953	C-CARBON R	RN72K1J-273FE	1	435032732R1	
R8955	C-CARBON R	RN72K1J-103FE	1	435031032R1	
R8956	C-CARBON R	RN72K1J-562JE	1	435035624R1	
R8971	C-CARBON R	RN72K1J-102JE	1	435031024R1	
R8973	C-CARBON R	RN72K1J-103FE	1	435031032R1	
R8975	C-CARBON R	RN72K1J-103FE	1	435031032R1	
R8976	C-CARBON R	RN72K1J-332JE	1	435033324R1	
<b>[SW TRM]</b>					
JL501B	WIRE TRAP	NPLG-3P586	1	25055624	
JL801B	WIRE TRAP	NPLG-5P588	1	25055626	
JL901B	WIRE TRAP	NPLG-5P588	1	25055626	
P2800B	SOCKET	IMSA-9618S-09A	1	25053334R2	
P2800Bor	SOCKET	09FMN-SMT-A-TF	(1)	25052826R2	
P281	SOCKET	NSCT-8P2471	1	25052574R2	
P3101A	PLUG	NPLG-5P918	1	25055965R2	
P701A	SOCKET	IMSA-9618S-23A	1	25053348R2	N
P701Aor	SOCKET	23FMN-SMT-A-TF	(1)	25052840R2	

P751A	SOCKET	IMSA-9618S-09A	1	25053334R2	
P751Aor	SOCKET	09FMN-SMT-A-TF	(1)	25052826R2	
P752A	SOCKET	NSCT-9P2472	1	25052575R2	
P8001B	SOCKET	IMSA-9618S-21A	1	25053346R2	N
P8001Bor	SOCKET	21FMN-SMT-A-TF	(1)	25052838R2	
P8002B	SOCKET	IMSA-9618S-09A	1	25053334R2	
P8002Bor	SOCKET	09FMN-SMT-A-TF	(1)	25052826R2	
P8003A	SOCKET	NSCT-7P2187	1	25052290	
P8102	SOCKET	TCX3400-111387	1	25053406R3	N
P8102 or	SOCKET	YKF45-7037V	(1)	25053253R3	
P8102 or	SOCKET	HDMI(47266-4101)	(1)	25053389R3	
P8102 or	SOCKET	061-043-079	(1)	25053407R3	N
P8103	SOCKET	TCX3400-111387	1	25053406R3	N
P8103 or	SOCKET	YKF45-7037V	(1)	25053253R3	
P8103 or	SOCKET	HDMI(47266-4101)	(1)	25053389R3	
P8103 or	SOCKET	061-043-079	(1)	25053407R3	N
P8104	SOCKET	TCX3400-111387	1	25053406R3	N
P8104 or	SOCKET	YKF45-7037V	(1)	25053253R3	
P8104 or	SOCKET	HDMI(47266-4101)	(1)	25053389R3	
P8104 or	SOCKET	061-043-079	(1)	25053407R3	N
P8105	SOCKET	TCX3400-111387	1	25053406R3	N
P8105 or	SOCKET	YKF45-7037V	(1)	25053253R3	
P8105 or	SOCKET	HDMI(47266-4101)	(1)	25053389R3	
P8105 or	SOCKET	061-043-079	(1)	25053407R3	N
P8901	SOCKET	NSCT-8P2471	1	25052574R2	

# ONKYO

## ONKYO SOUND & VISION CORPORATION

Technical Support, Service Dept.: 2-1, Nisshin-cho, Neyagawa-shi, OSAKA 572-8540, JAPAN  
Tel: 072-831-8023 Fax: 072-831-8163

## ONKYO U.S.A. CORPORATION

18 Park Way, Upper Saddle River, N.J. 07458, U.S.A.  
Tel: 800-229-1687, 201-785-2600 Fax: 201-785-2650  
<http://www.us.onkyo.com/>

## ONKYO EUROPE ELECTRONICS GmbH

Liegnitzerstrasse 6, 82194 Groebenzell, GERMANY  
Tel: +49-8142-4401-0 Fax: +49-8142-4401-555  
<http://www.eu.onkyo.com/>

## ONKYO EUROPE ELECTRONICS GmbH (UK BRANCH)

The Coach House 81A High Street, Marlow, Buckinghamshire, SL7 1AB, UK  
Tel: +44-(0)1628-473-350 Fax: +44-(0)1628-401-700

## ONKYO CHINA LIMITED

Unit 1033, 10/F, Star House, No 3, Salisbury Road, Tsim Sha Tsui Kowloon, Hong Kong.  
Tel: 852-2429-3118 Fax: 852-2428-9039  
<http://www.ch.onkyo.com/>