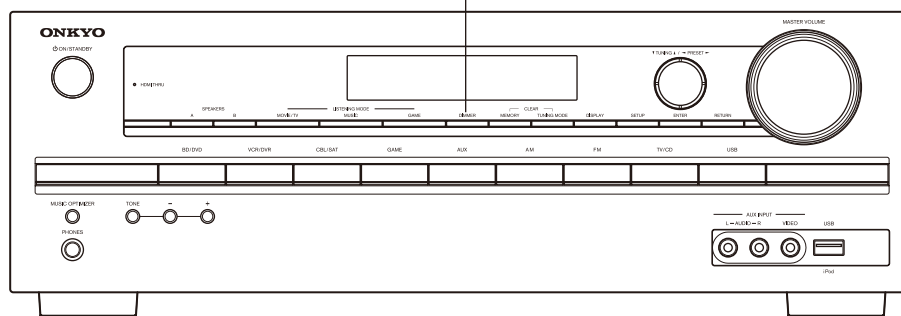


ONKYO® SERVICE MANUAL

AV RECEIVER MODEL TX-SR313(B)/(S)

North American and Taiwanese models ----> "DIMMER"
European, Australian and Asian models ----> "RT/PTY/TP"




Black and Silver models

B MDC, B MDF	120V AC, 60Hz
B MMK, B MMQ, B MMR	220-240V AC, 50/60Hz
B MPP, B MPA, S MPP	230V AC, 50Hz



RC-799M

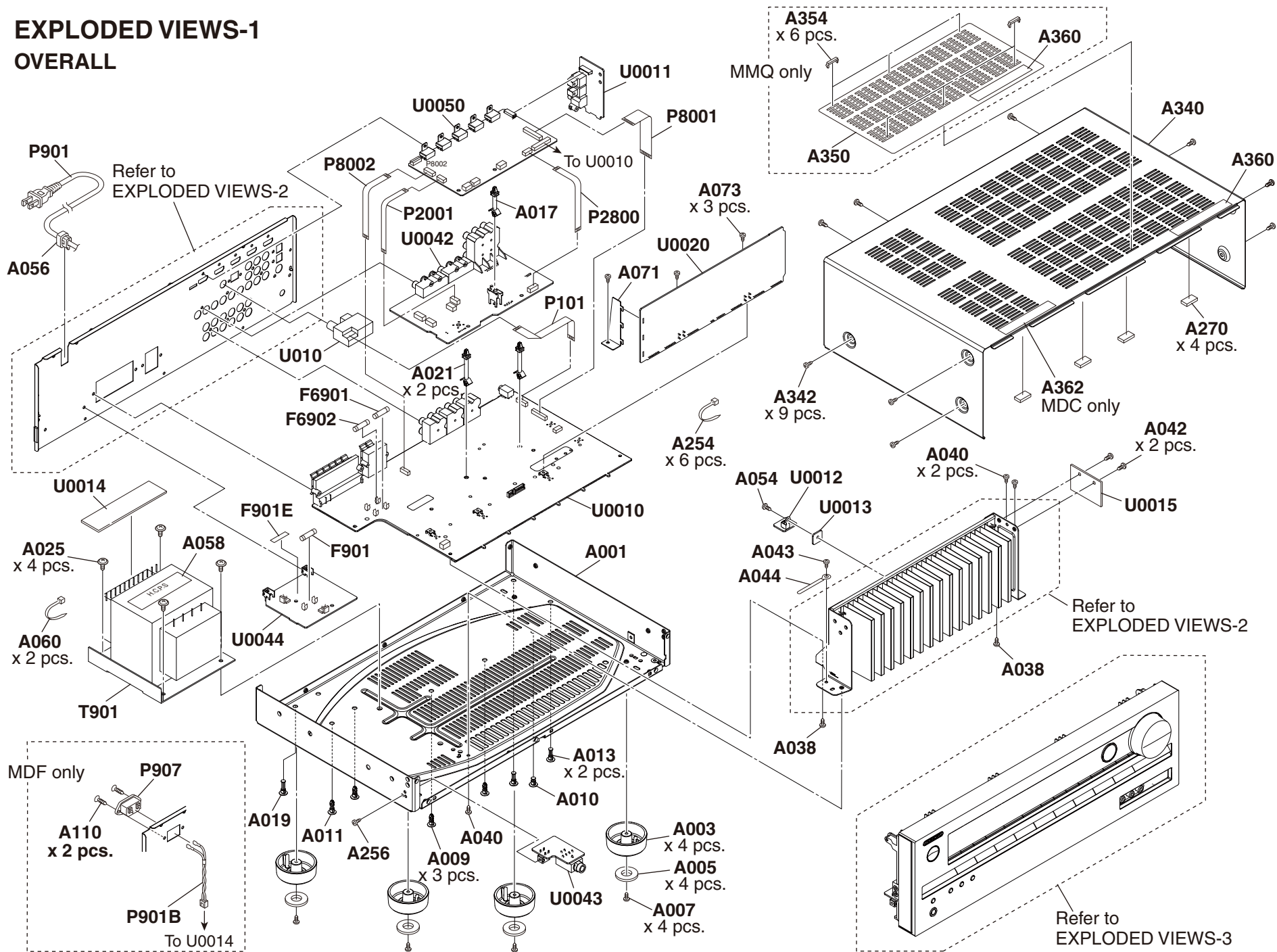
SAFETY-RELATED COMPONENT WARNING!!

COMPONENTS IDENTIFIED BY MARK  ON THE SCHEMATIC DIAGRAM AND IN THE PARTS LIST ARE CRITICAL FOR RISK OF FIRE AND ELECTRIC SHOCK. REPLACE THESE COMPONENTS WITH ONKYO PARTS WHOSE PART NUMBERS APPEAR AS SHOWN IN THIS MANUAL.

MAKE LEAKAGE-CURRENT OR RESISTANCE MEASUREMENTS TO DETERMINE THAT EXPOSED PARTS ARE ACCEPTABLY INSULATED FROM THE SUPPLY CIRCUIT BEFORE RETURNING THE APPLIANCE TO THE CUSTOMER.

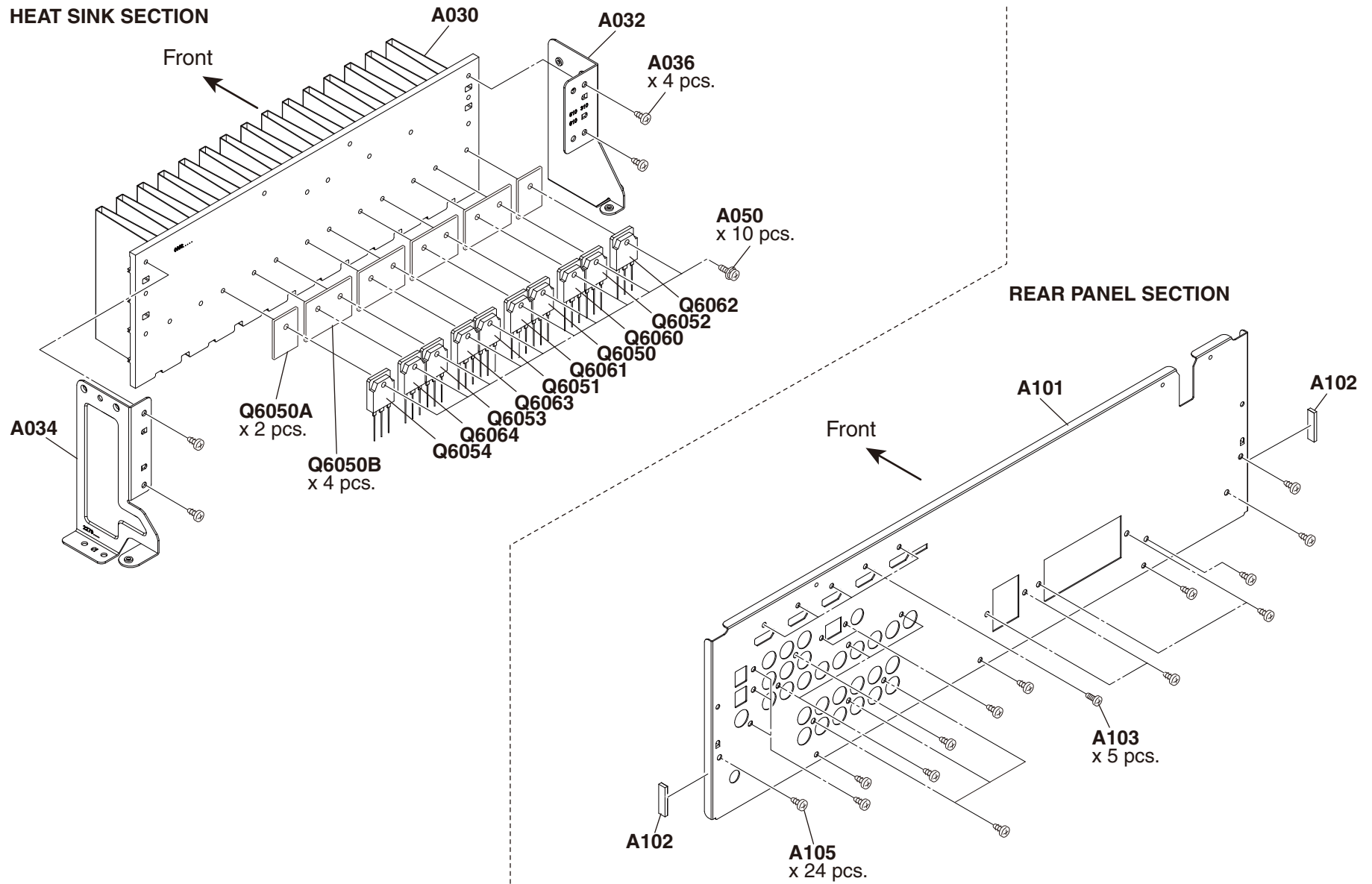
ONKYO SOUND & VISION CORPORATION
Service Department

EXPLODED VIEWS-1
OVERALL

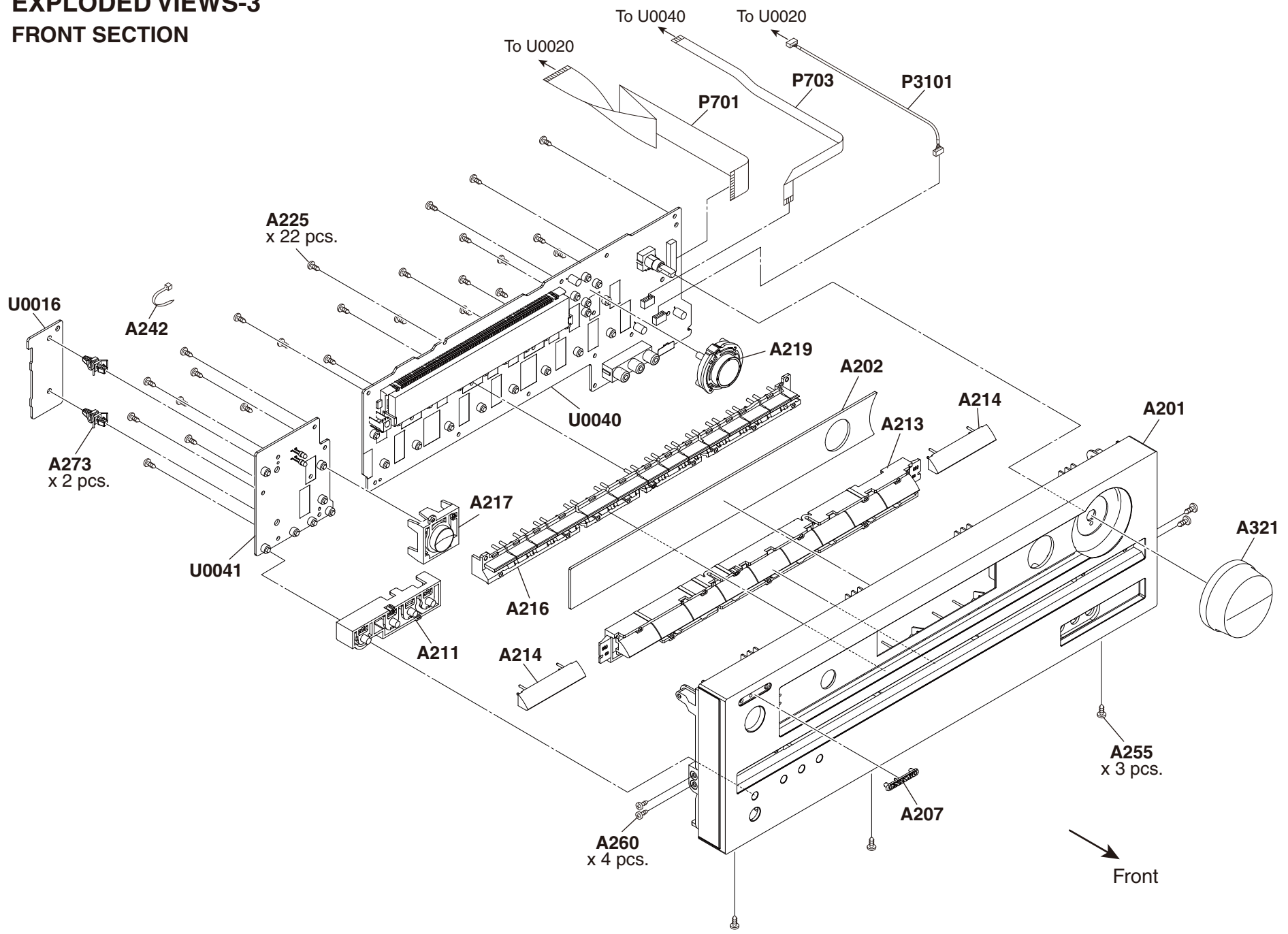


EXPLODED VIEWS-2

HEAT SINK / REAR PANEL SECTION



EXPLODED VIEWS-3 FRONT SECTION



SCHEMATIC DIAGRAMS-1 (PART-1)
BLOCK DIAGRAM AUDIO SECTION

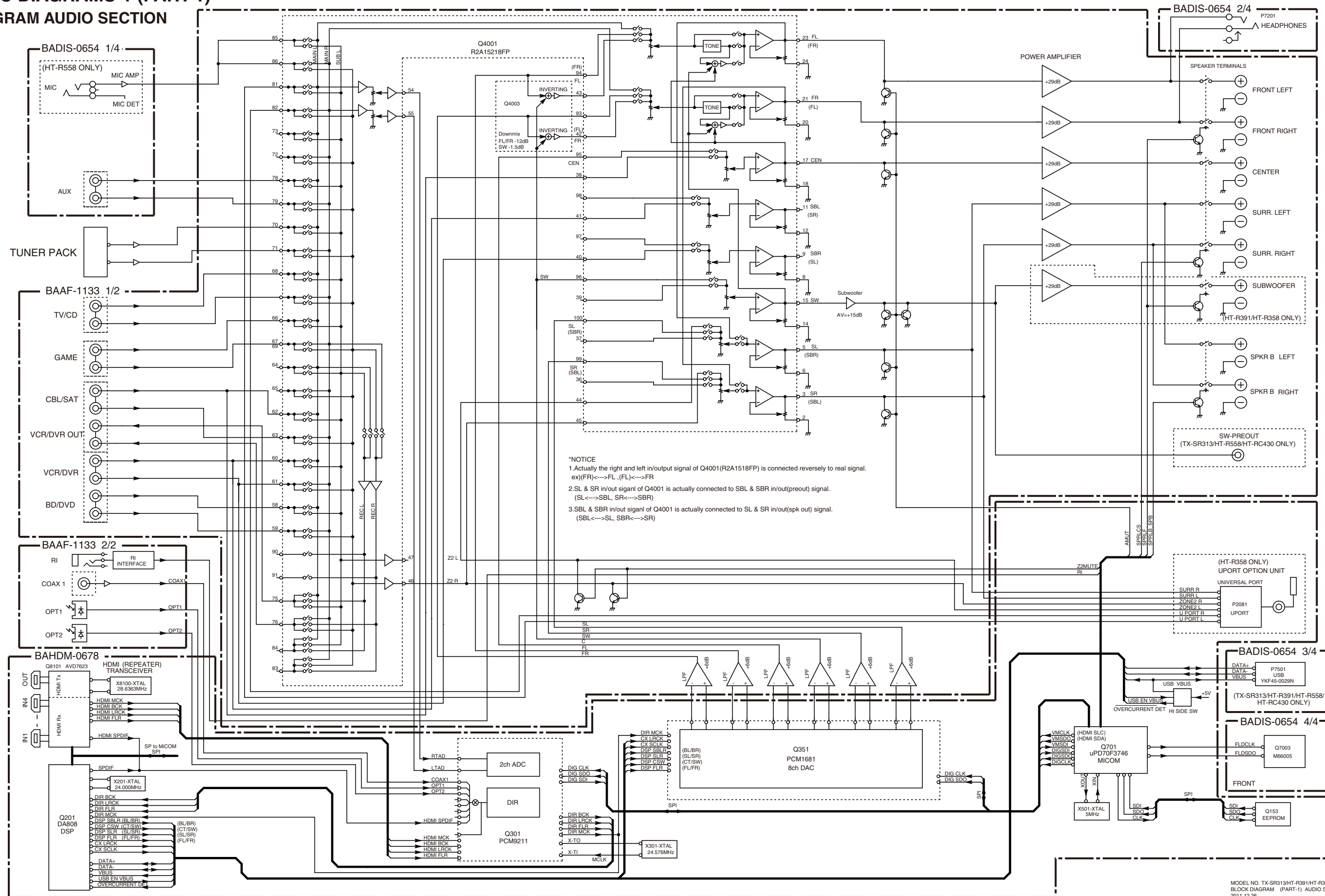
1

2

3

4

5



SCHEMATIC DIAGRAMS-2 (PART-2)
BLOCK DIAGRAM VIDEO SECTION

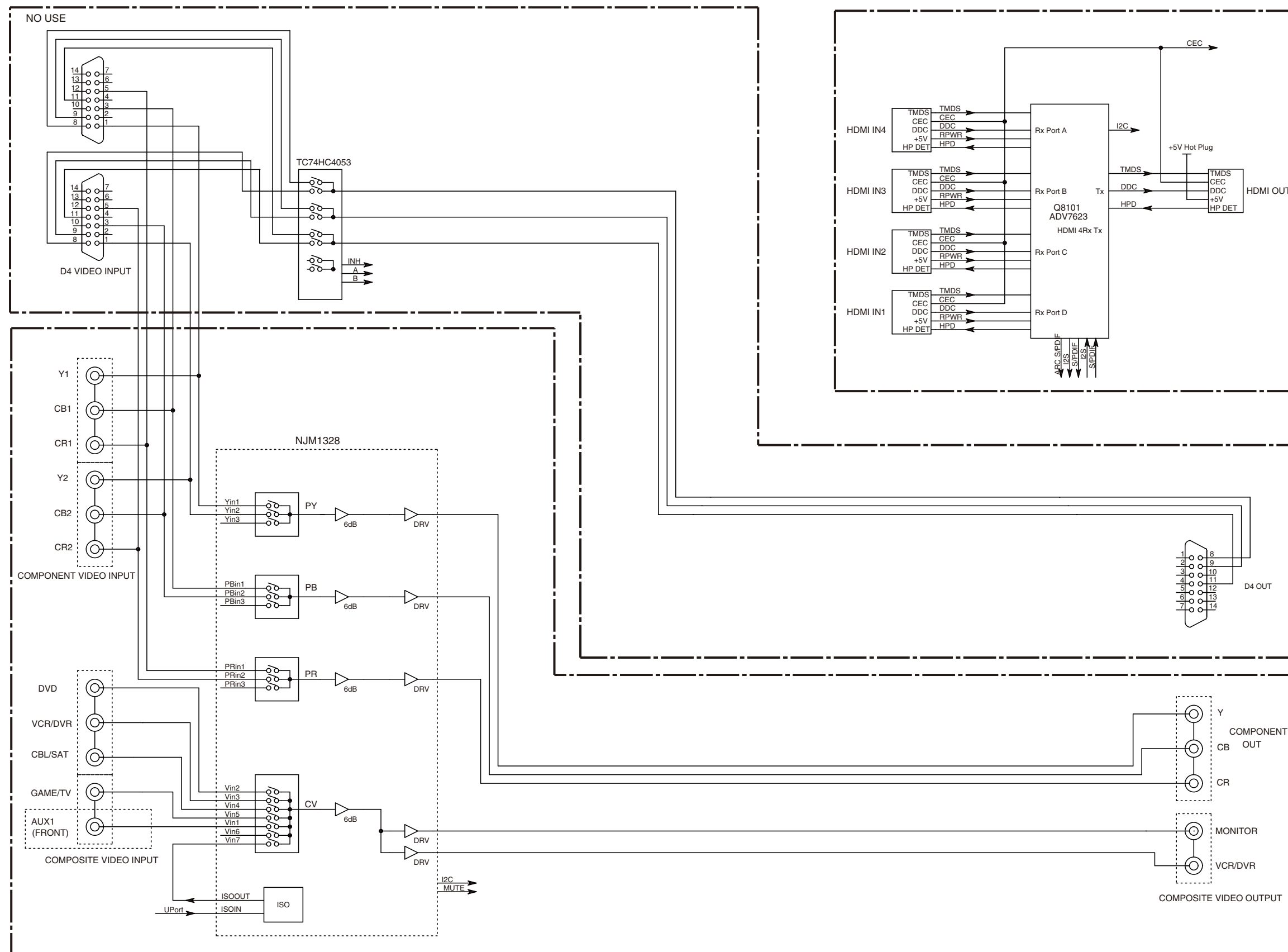
1

2

3

4

5



SCHEMATIC DIAGRAMS-5 (PART-5)
AMP. SECTION

Notes
THE COMPONENTS IDENTIFIED BY MARK ARE CRITICAL FOR SAFETY. REPLACE ONLY WITH PART NUMBER SPECIFIED.
VOLTAGE(MEASURED WITH VOLTMETER) IS DC VOLTAGE (NO INPUT SIGNAL IN HT-R340MPP).
ELECTROLYTIC CAPACITORS ARE IN uF/WV.
EX: X000.30F 330.330F 331.330F 333.0.033uF
CIRCUIT IS SUBJECT TO CHANGE FOR IMPROVEMENT.
ALL CAPACITORS ARE IN uF/WV UNLESS OTHERWISE NOTED.

CAUTION
FOR CONTINUED PROTECTION AGAINST FIRE HAZARD, REPLACE ONLY WITH FUSE OF SAME TYPE AND RATING INDICATED.

ATTENTION
AVERTISSEMENT CONTRE LES RISQUES D'INCENDIE: REMPLACEZ UNiquement LE FUSIBLE PAR UN FUSIBLE DE MÊME TYPE ET MÊME RATING INDICÉ.

THIS SYMBOL LOCATED NEAR THE FUSE INDICATES THAT THE FUSE SHOULD BE REPLACED WITH THE SAME TYPE AND RATING. IF THE FUSE IS REPLACED WITH A DIFFERENT TYPE, THE FUSE RATING SHOULD BE REPLACED TO THE MARKING INDICATED TO THE SYMBOL.

CE SYMBOLE INDIQUE QUE LE FUSIBLE DOIT ÊTRE REMPLACÉ PAR UN FUSIBLE DE MÊME TYPE, DE MÊME RATING ET MÊME RATING INDICÉ. SI LE FUSIBLE EST REMPLACÉ PAR UN FUSIBLE DE TYPE DIFFÉRENT, LE RATING DOIT ÊTRE REMPLACÉ PAR LE RATING INDICÉ À CÔTÉ DU SYMBOLE.

T3	TX-SR313 DC.DS.PP.PA.MQ.MR.MK
H39	HT-R391 DC.DS.MQ.MK
H35	HT-R358 PP.PB
H55	HT-R558 PP.PA.MQ.MR
H43	HT-RC430 DC

MODEL	Power Trans
T3/H43 -2A, H39 -2D	NPT-1603D
T3/H55 -2B, H35 -2F	NPT-1003P
T3 -2C, H39 -2E	NPT-1603M

Destination table

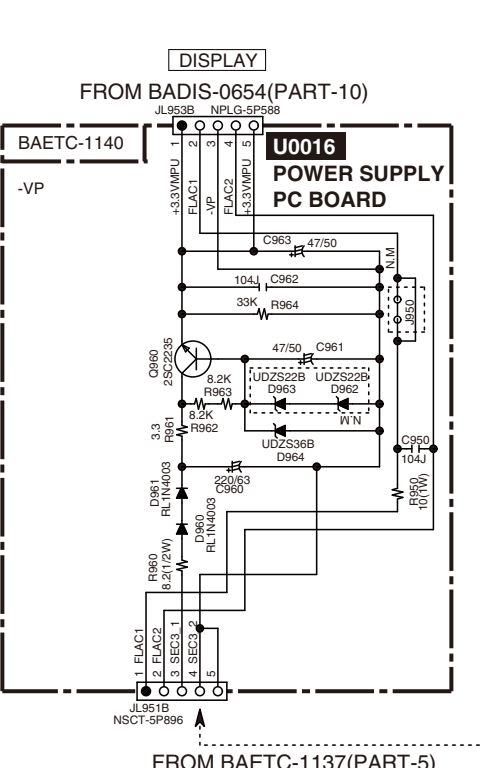
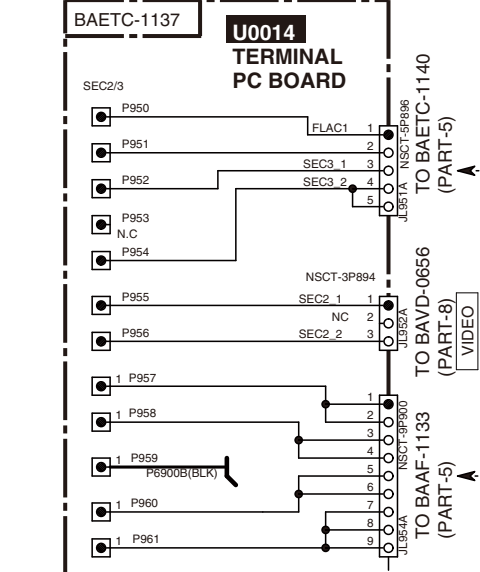
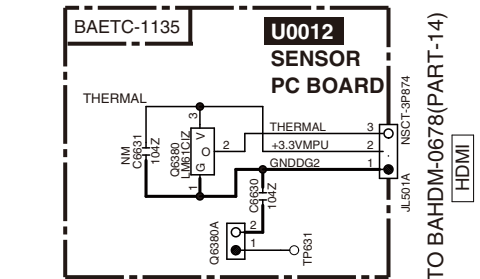
	T3/H55/H43	H39/H35				
	-2A	-2B	-2C	-2D	-2F	-2E
	MDC	MPP	MMQ	MDC	MPP	MMK

Table A:

L6000, L6001	X				
L6002, L6003, L6004		X			
R6430, R6431, R6432, R6433, R6434			X		
L6004	X	X	X	X	
R6434	X	X	X	JUMPER	
J6477					X

Table B:

P6001	NTM-10PDM1	NTM-12PDM1
C6401	8200u	8200u
C6402	56V	8200u
	63V	56V
		8200u
		63V



SCHEMATIC DIAGRAMS-6 (PART-6)
AMP.(CLASS-A) SECTION

ADJUSTMENT OF IDLING CURRENT

- [NOTES]
1. Set R6040 ~ 6046 to minimum position before POWER ON.
2. Equip series 1/4W 100-ohm resistors near the terminal respectively in the each poles of the jig used for P6080-6086 terminals.
[PROCEDURES]
1. Set the voltages at P6080 ~ 6082 to 2.5mV by adjusting R6040 ~ 6042, under the condition of no input and no load, immediately after POWER ON.
2. Set the voltages at P6083 ~ 6086 to 1.5mV by adjusting R6043 ~ 6046, under the condition of no input and no load, immediately after POWER ON.
3. Re-adjust by following procedure after 4 ~ 6 minutes of heat running.

L / C / R		SL / SR / SBL / SBR	
Below 9mV	→ 9mV	Below 6mV	→ 6mV
Between 9 ~ 11mV	→ Leave it as it is.	Between 6 ~ 8mV	→ Leave it as it is.
Over 11mV	→ 11mV	Over 8mV	→ 8mV

アイドリング電流の調整

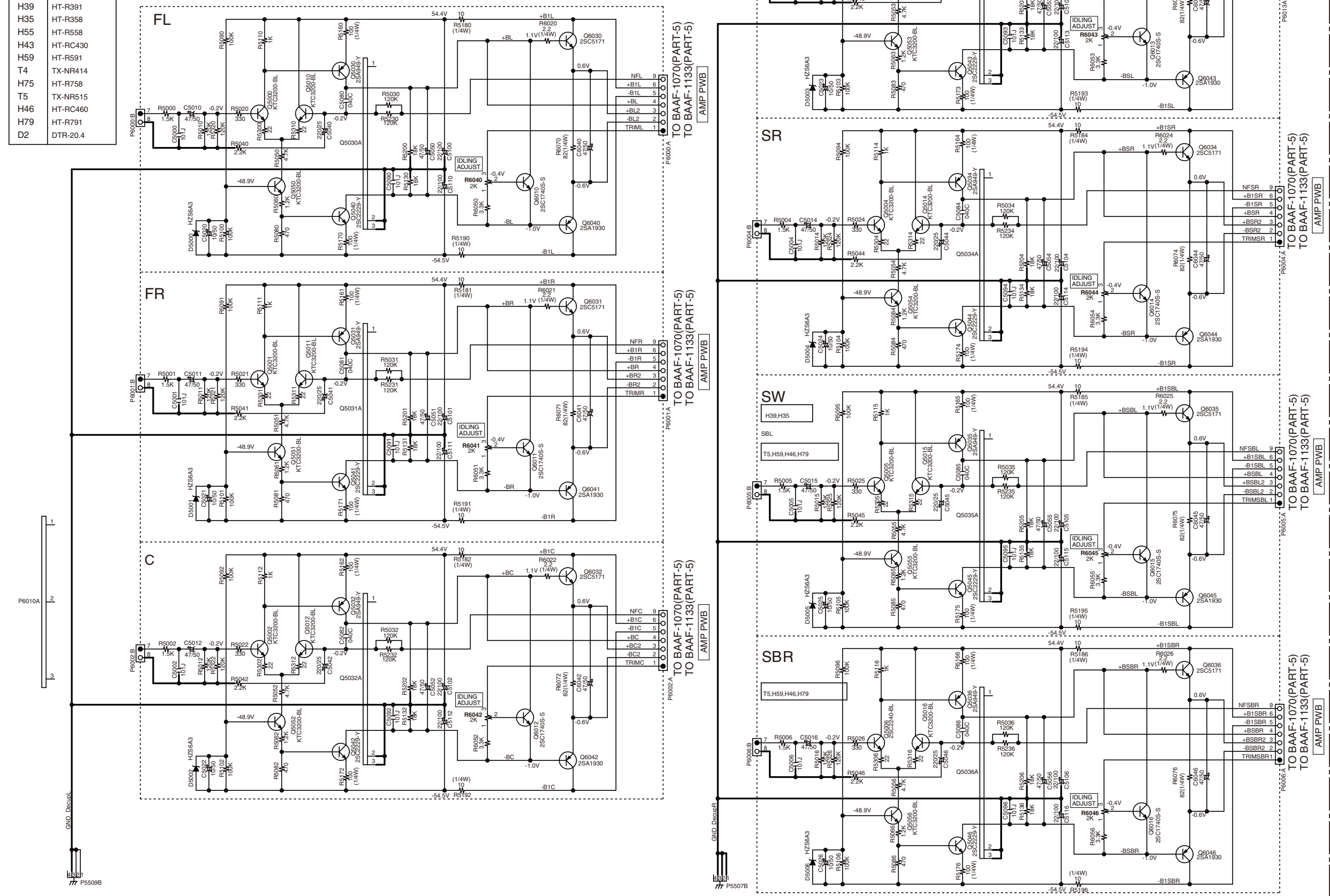
- [注意]
1. R6040 ~ 6046はPOWER ON前に、左に回して最小の位置にしておく。
2. P6080 ~ 6086端子に接続するジグ端子の両極には、端子近傍にそれぞれ100Ω/1/4Wの抵抗をシリーズに入れること。
[手順]
1. 無負荷・無信号にてPOWER ON直後、P6080 ~ 6082の両端電圧をR6040 ~ 6042にて2.5mVに設定する。
2. 無負荷・無信号にてPOWER ON直後、P6083 ~ 6086の両端電圧をR6043 ~ 6046にて1.5mVに設定する。
3. 約4~6分間のヒートアップ後、下記手順で再調整する。

L / C / R		SL / SR / SBL / SBR	
9mV 未満の場合	→ 9mV	6mV 未満の場合	→ 6mV
9 ~ 11mV の場合	→ そのまま	6 ~ 8mV の場合	→ そのまま
11mVより大きい場合	→ 11mV	8mV より大きい場合	→ 8mV

BACLA-1130
CLASS-A

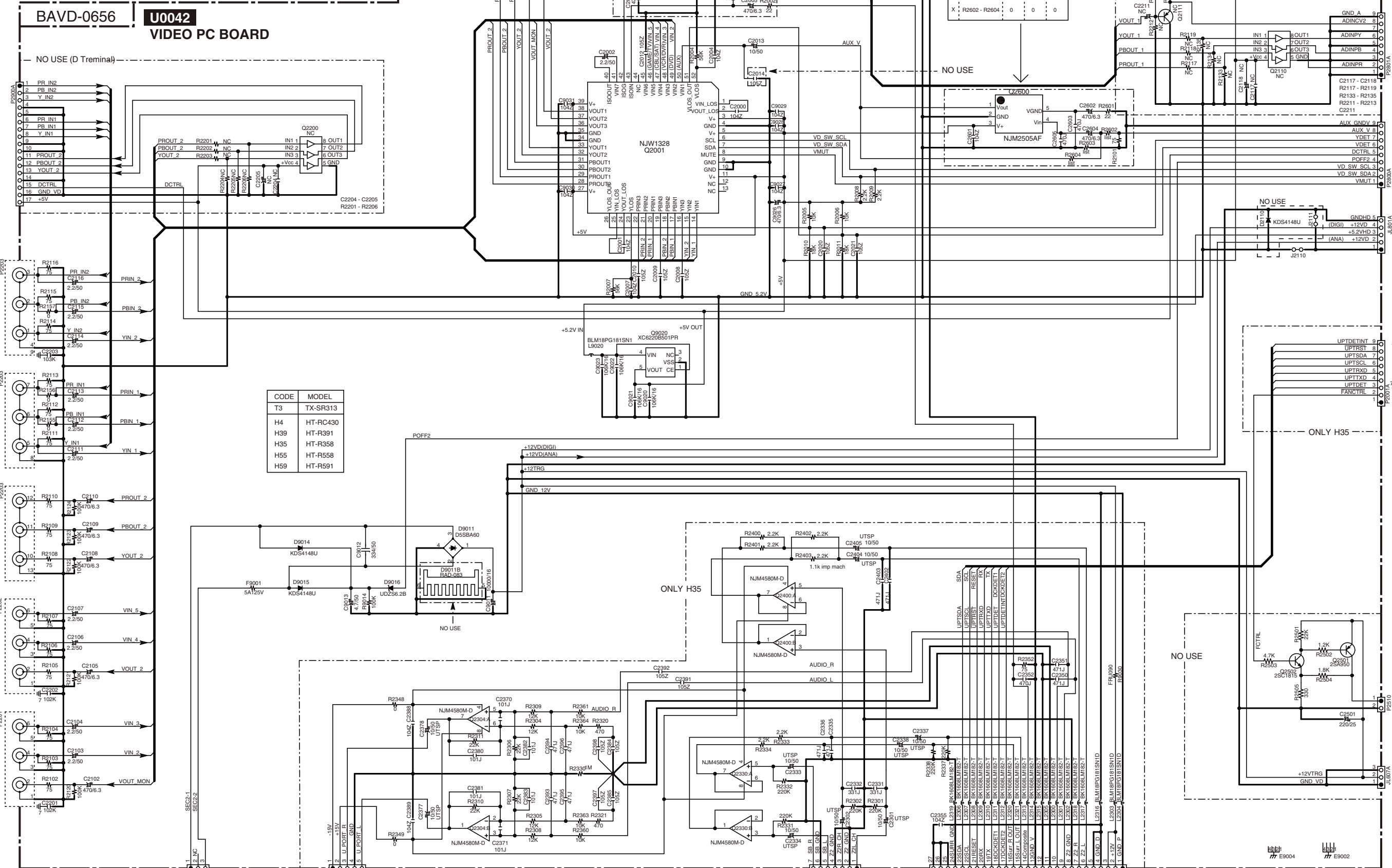
U0020
AMPLIFIER PC BOARD

CODE	MODEL
T3	TX-SR313
H39	HT-R391
H35	HT-R358
H55	HT-R558
H43	HT-RC430
H59	HT-R591
T4	TX-NR414
H75	HT-R758
T5	TX-NR515
H46	HT-RC460
H79	HT-R791
D2	DTR-20.4



SCHEMATIC DIAGRAMS-8 (PART-8)
BLOCK DIAGRAM VIDEO SECTION

1
2
3
4
5



BAVD-0656

U0042
VIDEO PC BOARD

NO USE (D Terminal)

VCR/DVR COMPONENT IN2

(DVD) COMPONENT IN1

COMPONENT OUT

GAME/TV (VIDEO3 IN)
CBL/SAT (VIDEO2 IN)
VCR/DVR OUT (VIDEO1 OUT)

VCR/DVR (VIDEO1 IN)
DVD IN
MONITOR OUT

TO BAETC-1137(PART-4)
TO AMP PWB

TO BAAF-1133(PART-4)
TO AMP PWB

TO BAAF-1133(PART-4)
TO AMP PWB

TO UP-A1L
TO iPod Dock

TO BAHDM-0678(PART-14)
For HDMI



TO BAHDM-0678(PART-14)
NO USE

From FAN

SCHEMATIC DIAGRAMS-11 (PART-11)

POWER SUPPLY SECTION

- ・印は火災、感電の危険に關する部品の為、必ず指定部品を使用の事。
- ・電圧表示は無信号時に測定した直流電圧を示す。
(単位V、入力抵抗100kΩ以上の電圧計)
- ・記入なき電解コンデンサの単位はμF/VVである。
- ・記入なきコンデンサの単位はpF/50VVである。
- 例 0.30→3pF 330→33pF 331→330pF 333→0.033μF
- ・本配線図は基本配線図につき性能改善等により予告なく変更する事がある。

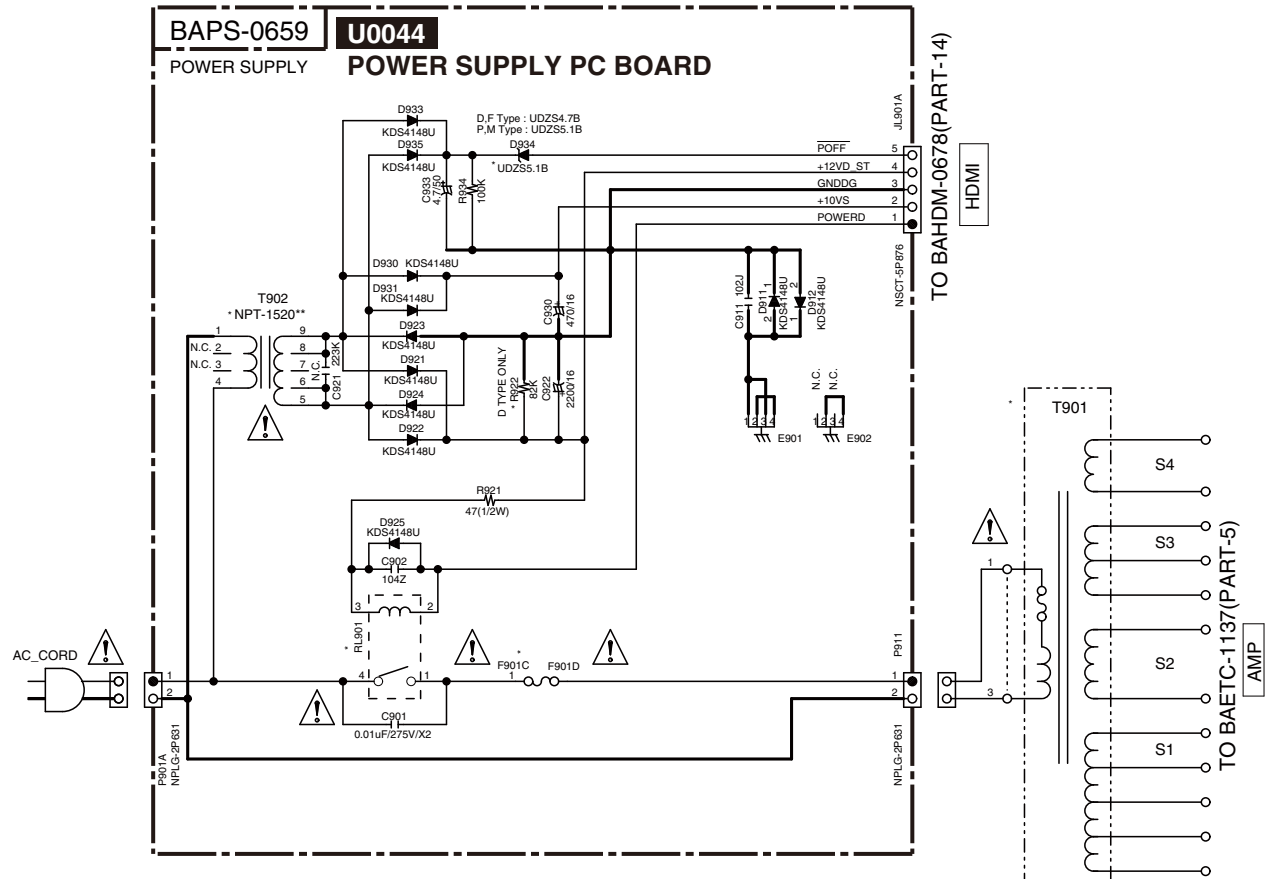
Notes
 THE COMPONENTS IDENTIFIED BY MARK  ARE CRITICAL FOR SAFETY.
 REPLACE ONLY WITH PART NUMBER SPECIFIED.
 VOLTAGE(MEASUREDWITHVOLTMETER) IS DCVOLTAGE
 (NO INPUT SIGNAL in HT-R340MPP)
 ELECTROLYTIC CAPACITORS()ARE IN μF/VV.
 EX)030:3pF 330:33pF 331:330pF 333:0.033μF
 CIRCUIT IS SUBJECT TO CHANGE FOR IMPROVEMENT.
 ALL CAPACITORS ARE IN pF/50VV UNLESS OTHERWISE NOTED.

CAUTION
 FOR CONTINUED PROTECTION
 AGAINST FIRE HAZARD, REPLACE
 ONLY WITH FUSE OF SAME TYPE
 AND RATING INDICATED.

ATTENTION
 AFIN D'ASSURER UNE PROTECTION
 PERMANENTE CONTRE LES RISQUES
 D'INCENDIE, REMPLACER UNIQUEMENT
 PAR UN FUSIBLE DE MEME TYPE
 ET CALIBRATION COMME INDIQUE.

THIS SYMBOL LOCATED NEAR THE FUSE INDICATES
 THAT THE FUSE USED IS SLOW OPERATING TYPE
 FOR CONTINUED PROTECTION AGAINST FIRE HAZARD
 HAZARD REPLACE WITH SAME TYPE FUSE. FOR FUSE
 RATING REFER TO THE MARKING ADJACENT TO THE SYMBOL.

CE SYMBOLE INDIQUE QUE LE FUSIBLE UTILISE EST
 A LENT. E POUR UNE PROTECTION PERMANENTE,UTILISER
 QUE DES FUSIBLES DE MEME TYPE. CE DERNIER EST
 INDIQUE LA QU LE PRESENT SYMBOLE EST APPOSE.



CODE	MODEL
T3	TX-SR313
HT43	HT-RC430
HT39	HT-R391
HT35	HT-R358
HT55	HT-R558
HT59	HT-R591

TYPE	AC
D	120V ~ / 60Hz
P	230V ~ / 50Hz
M	220-240V ~ / 50/60Hz

F901

TYPE	T3	HT39	HT43	HT35/55	HT59
D,F	8A 125V	8A 125V	8A 125V	---	8A 125V
P,M	T4AL250V	T4AL250V	---	T4AL250V	T4AL250V

RL901

TYPE	T3	HT39	HT43	HT35/55	HT59
D,F	NRL-1P5A	NRL-1P5A	NRL-1P5A	---	NRL-1P5A
P,M	NRL-1P5A	NRL-1P5A	---	NRL-1P5A	NRL-1P5A

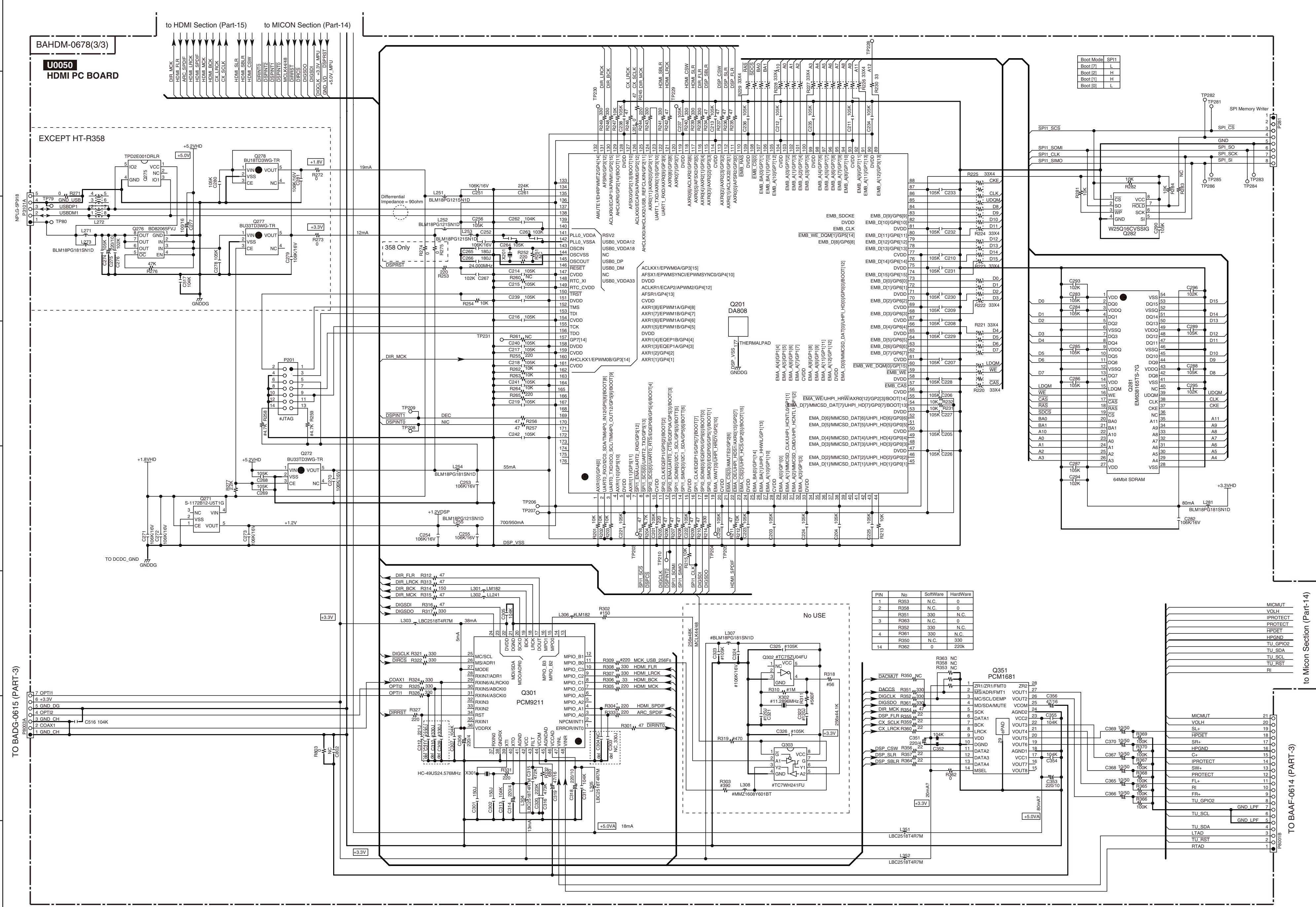
T901

TYPE	T3	HT39	HT43	HT35	HT55	HT59
D,F	NPT-1603D	NPT-1603D	NPT-1603D	---	---	NPT-1604D
P	NPT-1603P	---	---	NPT-1603P	NPT-1603P	---
M	NPT-1603M	NPT-1603M	---	---	NPT-1603M	NPT-1604M

T902

TYPE	T3	HT39	HT43
D,F	NPT-1520JQ	NPT-1520JQ	NPT-1520JQ
P,M	NPT-1520GQ	NPT-1520GQ	---
TYPE	HT35/55	HT59	
D,F	---	NPT-1520JQ	
P,M	NPT-1520GQ	NPT-1520GQ	

SCHEMATIC DIAGRAMS-19 (PART-19)
DSP/ DIR/ DAC SECTION



PIN	No	SoftWare	HardWare
1	R353	N.C.	0
2	R358	N.C.	0
3	R351	330	N.C.
4	R352	330	N.C.
5	R361	330	N.C.
6	R350	N.C.	330
14	R362	0	220K

to Micon Section (Part-14)

to BAAF-0614 (PART-3)

Boot Mode	SPI1
Boot [7]	L
Boot [2]	H
Boot [1]	H
Boot [0]	L

1
2
3
4
5
6
7
8

A B C D E F G H I J K

TX-SR313**<Note>**

Parts marked by "NSP" are generally unavailable because they are not in our Master Spare Parts List.

NOTE : THE COMPONENTS IDENTIFIED BY THE MARK ! ARE CRITICAL FOR RISK OF FIRE AND ELECTRIC SHOCK. REPLACE ONLY WITH PART NUMBER SPECIFIED.

<Notes>

(B) : Black model

(S) : Silver model

<MDC> : 120V,Canadian model

<MPP> : 230V,CE(European) country model

<MPA> : 230V,Australian model

<MMK> 220/230-240V,Korean model

<MMQ> : 220/230-240V,Hong kong model

<MMR> : 220/230-240V,Chinese model

<MDF> : 120V,Taiwanese model

TX-SR313**EXPLODED VIEW PARTS LIST**

REF. NO.	PART NAME	DESCRIPTION	Q'TY	PART NO. (SN)	REMARKS
[SEMI CONDUCTOR]					
Q6050	TR	2SC5198-O	1	2203063	<B / S>
Q6050 or	TR	2SC4468-O	(1)	2202523	<B / S>
Q6050 or	TR	2SC4468-P	(1)	2202526	<B / S>
Q6050 or	TR	2SC5198-R	(1)	2203062	<B / S>
Q6050A	ISO SHEET	AC238	2	223024	<B / S>
Q6050B	ISO SHEET	ISO SHEET	4	223050	<B / S>
Q6051	TR	2SC5198-O	1	2203063	<B / S>
Q6051 or	TR	2SC4468-O	(1)	2202523	<B / S>
Q6051 or	TR	2SC4468-P	(1)	2202526	<B / S>
Q6051 or	TR	2SC5198-R	(1)	2203062	<B / S>
Q6052	TR	2SC5198-O	1	2203063	<B / S>
Q6052 or	TR	2SC4468-O	(1)	2202523	<B / S>
Q6052 or	TR	2SC4468-P	(1)	2202526	<B / S>
Q6052 or	TR	2SC5198-R	(1)	2203062	<B / S>

Q6053	TR	2SC5198-O	1	2203063	<B / S>
Q6053 or	TR	2SC4468-O	(1)	2202523	<B / S>
Q6053 or	TR	2SC4468-P	(1)	2202526	<B / S>
Q6053 or	TR	2SC5198-R	(1)	2203062	<B / S>
Q6054	TR	2SC5198-O	1	2203063	<B / S>
Q6054 or	TR	2SC4468-O	(1)	2202523	<B / S>
Q6054 or	TR	2SC4468-P	(1)	2202526	<B / S>
Q6054 or	TR	2SC5198-R	(1)	2203062	<B / S>
Q6060	TR	2SA1941-O	1	2203053	<B / S>
Q6060 or	TR	2SA1695-O	(1)	2202513	<B / S>
Q6060 or	TR	2SA1695-P	(1)	2202516	<B / S>
Q6060 or	TR	2SA1941-R	(1)	2203052	<B / S>
Q6061	TR	2SA1941-O	1	2203053	<B / S>
Q6061 or	TR	2SA1695-O	(1)	2202513	<B / S>
Q6061 or	TR	2SA1695-P	(1)	2202516	<B / S>
Q6061 or	TR	2SA1941-R	(1)	2203052	<B / S>
Q6062	TR	2SA1941-O	1	2203053	<B / S>
Q6062 or	TR	2SA1695-O	(1)	2202513	<B / S>
Q6062 or	TR	2SA1695-P	(1)	2202516	<B / S>
Q6062 or	TR	2SA1941-R	(1)	2203052	<B / S>
Q6063	TR	2SA1941-O	1	2203053	<B / S>
Q6063 or	TR	2SA1695-O	(1)	2202513	<B / S>
Q6063 or	TR	2SA1695-P	(1)	2202516	<B / S>
Q6063 or	TR	2SA1941-R	(1)	2203052	<B / S>
Q6064	TR	2SA1941-O	1	2203053	<B / S>
Q6064 or	TR	2SA1695-O	(1)	2202513	<B / S>
Q6064 or	TR	2SA1695-P	(1)	2202516	<B / S>
Q6064 or	TR	2SA1941-R	(1)	2203052	<B / S>
[CHASSIS SCREW]					
A001	CHASSIS	TX-SR307	1	27100532F	<B / S>
A003	BOTTOM LEG	Φ48(313)	4	27175472	N <B / S>
A005	CUSHION	(ZUL)Φ20*Φ8	4	28141900	N <B / S>
A007	SCREW	3TTB+8B(3BC)	4	838430088GR	<B / S>
A009	HOLDER	KGLS-8RT	3	27190503A	<B / S>

A010	HOLDER	KGPS-8RF	1	27191044	<B / S>
A011	HOLDER	KGLS-10RT	1	27190428A	<B / S>
A013	HOLDER	KGPS-14RF	3	27190802	<B / S>
A017	HOLDER	KGLS-16S	1	27190607	<B / S>
A019	HOLDER	KGPS-16RF	1	27190991	<B / S>
A021	HOLDER	KGLS-22S	2	27190369	<B / S>
A025	SCREW	4TTC+8C(3BC)SR	4	801658	<B / S>
A030	HEAT SINK	(S)313	1	27160668	<B / S>
A032	RETAINER	(HL)313	1	27142280	<B / S>
A034	RETAINER	(HR)313	1	27142279	<B / S>
A036	SCREW	3TTB+8B(3BC)	4	838430088GR	<B / S>
A038	SCREW	3TTB+8B(3BC)	2	838430088GR	<B / S>
A040	SCREW	3TTB+8B(3BC)	3	838430088GR	<B / S>
A042	SCREW	3TTB+8B(3BC)	2	838430088GR	<B / S>
A043	SCREW	3TTB+8B(3CM)SR	1	801637	<B / S>
A044	CLIP	CS-1U	1	27255004	<B / S>
A050	SCREW	3SMS8W.SW+14B(CU)	10	801634	<B / S>
A054	SCREW	3TTB+8B(3BC)	1	838430088GR	<B / S>
A056	BUSHING	S-RELIEF #2271	1	27300750	! <B MDC, MMK, MMQ, MMR, MPA, MPP / S MPP>
A058	LABEL	(PT)	1	29363379-1	<B MDC, MDF, MMK, MMQ, MMR, MPA, MPP / S MPP>
A060	WIRE TIE	BSK-1	2	260208	<B / S>
A071	RETAINER	(B)	1	27142141	<B / S>
A073	SCREW	3TTB+8B(3BC)	3	838430088GR	<B / S>
A101	REAR PANEL	TXSR313DC	1	27124348	N <B MDC>
A101	REAR PANEL	TXSR313DF	1	27124349	N <B MDF>
A101	REAR PANEL	TXSR313PP	1	27124350	N <B MPA, MPP / S MPP>
A101	REAR PANEL	TXSR313MQ	1	27124351	N <B MMK, MMQ>
A101	REAR PANEL	TXSR313MR	1	27124352	N <B MMR>
A102	CUSHION	---	2	28141799	<B / S>
A103	SCREW	3P+6FN(3BC)	5	82143006GR	<B MDC, MDF, MMK, MMQ, MMR, MPA, MPP / S MPP>
A105	SCREW	3TTB+8B(3BC)	24	838430088GR	<B MDC, MDF, MMK, MMQ, MMR, MPA, MPP / S MPP>
A110	SCREW	3TTF+10B(3BC)	2	835430108GR	<B MDF>
A112	TAPE	TAPE(CLOTH-16U)	1	29110083	<B / S>
[CABINET]					

A201	F PANEL	TXSR313(B)DC	1	27213524	N <B MDC, MDF>
A201	F PANEL	TXSR313(B)PP	1	27213525	N <B MMK, MMQ, MMR, MPA, MPP>
A201	F PANEL	TXSR313(S)PP	1	27213526	N <S MPP>
A202	CLEAR PLT	TX-SR309 MDC	1	28192334C	<B MDC, MDF>
A202	CLEAR PLT	TX-SR309 MPP	1	28192335C	<B MMK, MMQ, MMR, MPA, MPP>
A202	CLEAR PLT	TX-SR309(S)MPP	1	28192344C	<S MPP>
A207	BADGE	--	1	28135317	<B / S>
A211	KNOB	(TONE)(B)	1	28326912	
A211	KNOB	(TONE)(S)	1	28326913	<S>
A213	KNOB	(INP)(B)	1	28326908B	
A213	KNOB	(INP)(S)	1	28326909B	<S>
A214	KNOB	(INP-LR)(B)	2	28326910B	
A214	KNOB	(INP-LR)(S)	2	28326911B	<S>
A216	KNOB	(SEL)	1	28326906A	<B / S>
A217	KNOB	(STBY)(B)	1	28326904	
A217	KNOB	(STBY)(S)	1	28326905	<S>
A219	KNOB	(CUR)	1	28326907B	<B / S>
A221	IB CUSHION	W15*3t TAPE	1	28141585	<B / S>
A225	SCREW	2.6TTB+8B(3BC)	22	838426088GR	<B / S>
A242	WIRE TIE	BSK-1	1	260208	<B / S>
A254	WIRE TIE	BSK-1	6	260208	<B / S>
A255	SCREW	3TTB+8B(3BC)	3	838430088GR	<B / S>
A256	SCREW	3TTB+8B(3BC)	1	838430088GR	<B / S>
A260	SCREW	3TTB+8B(3BC)	4	838430088GR	<B / S>
A261	TAPE	TAPE(CLOTH-16U)	1	29110083	<B / S>
A262	TAPE	TAPE(CLOTH-16U)	1	29110083	<B / S>
A269	TAPE	TAPE(CLOTH-8U)	1	29110082	<B / S>
A270	CUSHION	(FELT)t1x20x10	4	28141859	<B / S>
A271	TAPE	TAPE(CLOTH-16U)	1	29110083	<B / S>
A273	HOLDER	KGLS-4S	2	27190009	<B / S>
A321	KNOB	(VOL)AS(B)	1	28326914	
A321	KNOB	(VOL)AS(S)	1	28326915	<S>
A340	COVER	(B) (Bent)	1	28210089A	
A340	COVER	(B) (Not Bent)	1	28210089AZ	

A340	COVER	(S) (Bent)	1	28210090A	<S>
A342	SCREW	3TTB+8B(3CM)SR	9	801637	<S>
A342	SCREW	3TTB+8B(3BC)	9	838430088GR	
A350	PLATE	(COVER)B	1	27262881	<B MMQ>
A354	HOLDER	(PLATE)	6	27191337	<B MMQ>
A360	LABEL	(COVER)	1	29390767	<B / S>
A362	LABEL	HOOKUP-ONKYO	1	29363194	<B MDC>
[TRANS COIL]					
T901	P TRANS	NPT-1618D	1	2302045	! <B MDC, MDF>
T901	P TRANS	NPT-1618P	1	2302046	! <B MPA, MPP / S MPP>
T901	P TRANS	NPT-1618M	1	2302047	! <B MMK, MMQ, MMR>
[SW TRM]					
F6901	FUSE	8A-T/UL-ST2	1	252261GR	! <B / S>
F6902	FUSE	8A-T/UL-ST2	1	252261GR	! <B / S>
F901	FUSE	8A-UL/T-233	1	252329GR	! <B MDC, MDF>
F901 or	FUSE	8A-T/UL-ST2	(1)	252261GR	! <B MDC, MDF>
F901	FUSE	4A-SE-EAK	1	252077GR	! <B MMK, MMQ, MMR, MPA, MPP / S MPP>
F901 or	FUSE	4A-SE-TL250V	(1)	252277GR	! <B MMK, MMQ, MMR, MPA, MPP / S MPP>
F901E	LABEL	LABEL	1	29360842	<B MDC, MDF>
F901E	LABEL	T4AL250V	1	29361732A	<B MMK, MMQ, MMR, MPA, MPP / S MPP>
P101	FFC	NCFC7-091512	1	2047091512	<B / S>
P2800	FFC	NCFC5-091012	1	2045091012	<B / S>
P3101	SOCKET AS	NSAS-10P1924	1	2009991224UL	<B / S>
P701	FFC	NCFC5-232212	1	2045232212	<B / S>
P703	FFC	NCFC5-072512	1	2045072512	<B / S>
P8001	FFC	NCFC5-211012	1	2045211012	<B / S>
P8002	FFC	NCFC5-091512	1	2045091512	<B / S>
P901	AC CORD	AS-UC-2	1	253368AYUN	! <B MDC>
P901 or	AC CORD	AS-UC-2	(1)	253368BLTK	! <B MDC>
P901	AC CORD	AS-CNS	1	253431VOL	! <B MDF>
P901	AC CORD	AS-CEE-2	1	253306VOL	! <B MMK, MPP / S MPP>
P901 or	AC CORD	AS-CEE-2	(1)	253374YUN	! <B MMK, MPP / S MPP>
P901	AC CORD	AS-BS	1	253198LTK	! <B MMQ>
P901	AC CORD	AS-CCC	1	253355VOL	! <B MMR>

P901 or	AC CORD	AS-CCC	(1)	253377LTK	! <B MMR>
P901	AC CORD	AS-SAA	1	253388LTK	! <B MPA>
P901 or	AC CORD	AS-SAA	(1)	253391VOL	! <B MPA>
P901B	FASTON AS	FASTON SOCKET	1	1F999027	<B MDF>
P907	AC INLET	R301X2PSn	1	25053358	<B MDF>
[TUNER UNIT]					
U001	U0010~U0016	BAAF-1133-2A *	1	1B271533-2A	N <MDC, MDF>
U0010	AUDIO PC BOARD ASS'Y	BAAF-1133-2A	1	1B2715133-2A	N <MDC, MDF>
U0011	TERMINAL(DIGITAL) PC BOARD ASS'Y	BADG-1134-2A	1	1B2715134-2A	<MDC, MDF>
U0012	SENSOR PC BOARD ASS'Y	BAETC-1135-2A	1	1B2715135-2A	<MDC, MDF>
U0013	FIX PC BOARD	BAETC-1136-2A	1	1B2715136-2A	<MDC, MDF>
U0014	TERMINAL(SEC) PC BOARD ASS'Y	BAETC-1137-2A	1	1B2715137-2A	<MDC, MDF>
U0015	FIX PC BOARD	BAETC-1138-2A	1	1B2715138-2A	<MDC, MDF>
U0016	POWER SUPPLY(VP) PC BOARD ASS'Y	BAETC-1140-2A	1	1B2715140-2A	<MDC, MDF>
U001	U0010~U0016	BAAF-1133-2B *	1	1B271533-2B	N <MPP, MPA>
U0010	AUDIO PC BOARD ASS'Y	BAAF-1133-2B	1	1B2715133-2B	N <MPP, MPA>
U0011	TERMINAL(DIGITAL) PC BOARD ASS'Y	BADG-1134-2B	1	1B2715134-2B	<MPP, MPA>
U0012	SENSOR PC BOARD ASS'Y	BAETC-1135-2B	1	1B2715135-2B	<MPP, MPA>
U0013	FIX PC BOARD	BAETC-1136-2B	1	1B2715136-2B	<MPP, MPA>
U0014	TERMINAL(SEC) PC BOARD ASS'Y	BAETC-1137-2B	1	1B2715137-2B	<MPP, MPA>
U0015	FIX PC BOARD	BAETC-1138-2B	1	1B2715138-2B	<MPP, MPA>
U0016	POWER SUPPLY(VP) PC BOARD ASS'Y	BAETC-1140-2B	1	1B2715140-2B	<MPP, MPA>
U001	U0010~U0016	BAAF-1133-2C *	1	1B271533-2C	N <MMK, MMQ, MMR>
U0010	AUDIO PC BOARD ASS'Y	BAAF-1133-2C	1	1B2715133-2C	N <MMK, MMQ, MMR>
U0011	TERMINAL(DIGITAL) PC BOARD ASS'Y	BADG-1134-2C	1	1B2715134-2C	<MMK, MMQ, MMR>
U0012	SENSOR PC BOARD ASS'Y	BAETC-1135-2C	1	1B2715135-2C	<MMK, MMQ, MMR>
U0013	FIX PC BOARD	BAETC-1136-2C	1	1B2715136-2C	<MMK, MMQ, MMR>
U0014	TERMINAL(SEC) PC BOARD ASS'Y	BAETC-1137-2C	1	1B2715137-2C	<MMK, MMQ, MMR>
U0015	FIX PC BOARD	BAETC-1138-2C	1	1B2715138-2C	<MMK, MMQ, MMR>
U0016	POWER SUPPLY(VP) PC BOARD ASS'Y	BAETC-1140-2C	1	1B2715140-2C	<MMK, MMQ, MMR>
U002	U0020 x 2pcs	BACLA-1130-2A *	1	1B271530-2A	N
U0020	AMPLIFIER	BACLA-1130-2A	1	1B2715130-2A	N
U004	U0040~U0044	BADIS-0654-3A *	1	1B271554-3A	N <MDC MDF>
U0040	DISPLAY PC BOARD ASS'Y	BADIS-0654-3A	1	1B2715654-3A	N <MDC, MDF>

U0041	SWITCH PC BOARD ASS'Y	BADIS-0655-3A	1	1B2715655-3A	<MDC, MDF>
U0042	VIDEO PC BOARD ASS'Y	BAVD-0656-3A	1	1B2715656-3A	<MDC, MDF>
U0043	PHONE JACK PC BOARD ASS'Y	BAETC-0658-3A	1	1B2715658-3A	<MDC, MDF>
U0044	POWER SUPPLY PC BOARD ASS'Y	BAPS-0659-3A	1	1B2715659-3A	<MDC, MDF>
U004	U0040~U0044	BADIS-0654-3B *	1	1B271554-3B	N <MPP, MPA, MMK, MMQ, MMR>
U0040	DISPLAY PC BOARD ASS'Y	BADIS-0654-3B	1	1B2715654-3B	N <MPP, MPA, MMK, MMQ, MMR>
U0041	SWITCH PC BOARD ASS'Y	BADIS-0655-3B	1	1B2715655-3B	<MPP, MPA, MMK, MMQ, MMR>
U0042	VIDEO PC BOARD ASS'Y	BAVD-0656-3B	1	1B2715656-3B	<MPP, MPA, MMK, MMQ, MMR>
U0043	PHONE JACK PC BOARD ASS'Y	BAETC-0658-3B	1	1B2715658-3B	<MPP, MPA, MMK, MMQ, MMR>
U0044	POWER SUPPLY PC BOARD ASS'Y	BAPS-0659-3B	1	1B2715659-3B	<MPP, MPA, MMK, MMQ, MMR>
U005	U0050 x 2pcs	BAHDM-0678-3A *	1	1B271578-3A	N
U0050	HDMI(MAIN) PC BOARD ASS'Y	BAHDM-0678-3A	1	1B2715678-3A	N
U010	TUNER UNIT	FAEH08-W01	1	240169A	<B MDC, MDF>
U010	TUNER UNIT	FAEH08-E01	1	240170A	<B MMK, MMQ, MMR, MPA, MPP / S MPP>

TX-SR313**PACKING PROCEDURES PARTS LIST**

REF. NO.	PART NAME	DESCRIPTION	Q'TY	PART NO. (SN)	REMARKS
[PACKING]					
A601	PAD AS	(AS)309 L & R	1	29092570B	<B MDC, MDF, MMK, MMQ, MMR, MPA, MPP / S MPP>
A601A	PAD	(L)	1	29092571B	<B MDC, MDF, MMK, MMQ, MMR, MPA, MPP / S MPP>
A601B	PAD	(R)	1	29092572B	<B MDC, MDF, MMK, MMQ, MMR, MPA, MPP / S MPP>
A605	POLY BAG	w850xd650	1	29100245	<B / S>
A606	TAPE	(SEROHAN)NITTO NO.29	1	29110149	<B / S>
A608	SHEET	---	1	29095906	<B MDC, MDF, MMK, MMR, MPA, MPP / S MPP>
A608	SHEET	T0.5x600x500	1	29096097	<B MMQ>
A611	TAPE	(SEROHAN)NITTO NO.29	1	29110149	<B / S>
A701	CARTON	(TXSR313)	1	29055323	N <B MDC, MDF, MMK, MMQ, MMR, MPA, MPP / S MPP>
A704A	UPC LABEL	TXSR313(B)MDC	1	29391819	N <B MDC>
A704A	EAN LABEL	TXSR313(B)MDF	1	29391820	N <B MDF>
A704A	EAN LABEL	TXSR313(B)MPA	1	29391823	N <B MPA>
A704A	EAN LABEL	TXSR313(B)MMR	1	29391826	N <B MMR>
A704A	EAN LABEL	TXSR313(B)MPP	1	29391821A	N <B MPP>

A704A	EAN LABEL	TXSR313(S)MPP	1	29391822A	N <S MPP>
A704A	EAN LABEL	TXSR313(B)MMK	1	29391824A	N <B MMK>
A704A	EAN LABEL	TXSR313(B)MMQ	1	29391825A	N <B MMQ>
A705	LABEL	(CHINA)	1	29390952A	<B MMR>
A751	LABEL	(APV)	1	29390190	<B MMR>
A755	LABEL	(CCC)	1	29364396	<B MMR>
A760	PP TAPE	W50 SBT-70	1	29110200	<B MDC, MDF, MMK, MMQ, MMR, MPA, MPP / S MPP>
[ACCESSORY]					
A672	POLY BAG	w250xd350	1	29100250A	<B MMK, MMQ, MPA, MPP / S MPP>
A674	POLY BAG	D250xd300xW300(t0.04)	1	29100256A	<B MDC, MDF, MMK, MMQ, MMR, MPA, MPP / S MPP>
A676	TAPE	(SEROHAN)NITTO NO.29	1	29110149	<B MDC, MDF, MMK, MMQ, MMR, MPA, MPP / S MPP>
A677	TAPE	(SEROHAN)NITTO NO.29	1	29110149	<B MDC, MDF, MMK, MMQ, MMR, MPA, MPP / S MPP>
A821	LABEL	(SPCABLE)2009	1	29390881	<B MDC, MDF, MMK, MMQ, MMR, MPA, MPP / S MPP>
A825	INST SHEET	U11(2010_RIHD)	1	29355782A	<B MDC, MDF, MMK, MMQ, MMR, MPA, MPP / S MPP>
A831	INST SHEET	WEEE	1	29355793A	<B MPP / S MPP>
A835	INS MANUAL	Ar(QC ImportantSheet)	1	29344373B	<B MMQ>
A841	INST SHEET	CHINA ROHS	1	29355616B	<B MMR>
A845	INST SHEET	Ct_MDF(2012Entry)	1	29355849	<B MDF>
A855	REMO CON	RC-799M	1	24140799	<B MDC, MDF, MMK, MMQ, MMR, MPA, MPP / S MPP>
A858	ANT COIL	NMA-3057	1	232140	<B MDC, MDF, MMK, MMQ, MMR, MPA, MPP / S MPP>
A859	FM ANT AS	Type W	1	292191	<B MDC, MDF, MMK, MMQ, MMR, MPA, MPP / S MPP>
A861	BATTERY	R6/AA(UM-3)	2	3010194	<B MDC, MDF, MMK, MMQ, MPA, MPP / S MPP>
A861 or	BATTERY	R6/AA(UM-3)	(2)	3010054	<B MDC, MDF, MMK, MMQ, MPA, MPP / S MPP>
A891	WRNTY CARD	(ONKYO)	1	29365135	<B MDC>
A891	WRNTY CARD	(ONKYO-CH)	1	29365098C	<B MMR>
A891	WRNTY CARD	MGQ	1	29365099B	<B MMQ>
A901	INS MANDSK	U7(2012_TX_AVR)	1	29500005A	<B MDC, MMK, MPA, MPP / S MPP>
A911	INS MANUAL	En(TXSR313)	1	29400979	N <B MDF, MMQ>
A913	INS MANUAL	Cs(TXSR313)	1	29400980	N <B MMR>
A915	INS MANUAL	Ct(TXSR313)	1	29400981	N <B MDF, MMQ>
A921	INS MANUAL	QSG_En(TXSR313)	1	29400982	N <B MDC, MDF, MMK, MMQ, MPA, MPP / S MPP>
A923	INS MANUAL	QSG_Fr(TXSR313)	1	29400983	N <B MDC, MPP / S MPP>
A925	INS MANUAL	QSG_Es(TXSR313)	1	29400984	N <B MDC, MPP / S MPP>
A927	INS MANUAL	QSG_It(TXSR313)	1	29400985	N <B MPP / S MPP>

A929	INS MANUAL	QSG_De(TXSR313)	1	29400986	N <B MPP / S MPP>
A931	INS MANUAL	QSG_Ni(TXSR313)	1	29400987	N <B MPP / S MPP>
A933	INS MANUAL	QSG_Sv(TXSR313)	1	29400988	N <B MPP / S MPP>
A935	INS MANUAL	QSG_Ar(TXSR313)	1	29400989	N <B MMQ>
A937	INS MANUAL	QSG_Fi(TXSR313)	1	29400990	N <B MPP / S MPP>
A939	INS MANUAL	QSG-Cs(TXSR313)	1	29400991	N <B MMR>
A971	INS MANUAL	SAFETY_U3	1	29400883	<B MDC, MMK, MPA>
A973	INS MANUAL	SAFETY_U10	1	29400884	<B MPP / S MPP>

TX-SR313

PC BOARD PARTS LIST

U001	U0010~U0016	BAAF-1133-2A/2B/2C *
U0010	AUDIO PC BOARD ASS'Y	BAAF-1133-2A/2B/2C
U0011	TERMINAL(DIGITAL) PC BOARD ASS'Y	BADG-1134-2A/2B/2C
U0012	SENSOR PC BOARD ASS'Y	BAETC-1135-2A/2B/2C
U0013	FIX PC BOARD	BAETC-1136-2A/2B/2C
U0014	TERMINAL PC BOARD ASS'Y	BAETC-1137-2A/2B/2C
U0015	FIX PC BOARD	BAETC-1138-2A/2B/2C
U0016	POWER SUPPLY(VP) PC BOARD ASS'Y	BAETC-1140-2A/2B/2C

CIRCUIT N	PART NAME	DESCRIPTION	Q'TY	PART NO. (SN)	REMARKS
[SEMI CONDUCTOR]					
D131	C-DIODE	DA2J10100	1	223303R2	
D131 or	C-DIODE	KDS4148U	(1)	223283R2	
D132	C-DIODE	DA2J10100	1	223303R2	
D132 or	C-DIODE	KDS4148U	(1)	223283R2	
D4171	ZENER D	HZS7B1	1	224860680T	
D4171 or	ZENER D	MTZJ6.8B	(1)	224470682T	
D4172	ZENER D	HZS7B1	1	224860680T	
D4172 or	ZENER D	MTZJ6.8B	(1)	224470682T	
D4300	DIODE	RL1N4003	1	22380260T	
D4300 or	DIODE	GP104003E	(1)	22380035T	

D4301	DIODE	RL1N4003	1	22380260T
D4301 or	DIODE	GP104003E	(1)	22380035T
D4302	DIODE	RL1N4003	1	22380260T
D4302 or	DIODE	GP104003E	(1)	22380035T
D4303	DIODE	RL1N4003	1	22380260T
D4303 or	DIODE	GP104003E	(1)	22380035T
D4304	C-DIODE	DA2J10100	1	223303R2
D4304 or	C-DIODE	ISS352	(1)	223234R2
D4304 or	C-DIODE	ISS355	(1)	223269R2
D4304 or	C-DIODE	MA2J111	(1)	223279R2
D4304 or	C-DIODE	KDS4148U	(1)	223283R2
D4305	C-DIODE	DA2J10100	1	223303R2
D4305 or	C-DIODE	ISS352	(1)	223234R2
D4305 or	C-DIODE	ISS355	(1)	223269R2
D4305 or	C-DIODE	MA2J111	(1)	223279R2
D4305 or	C-DIODE	KDS4148U	(1)	223283R2
D4400	ZENER D	DZ2J056M0L	1	224760560R2
D4400 or	ZENER D	UDZS5.6B	(1)	224550560R2
D6000	C-DIODE	DA2J10100	1	223303R2
D6000 or	C-DIODE	ISS352	(1)	223234R2
D6000 or	C-DIODE	ISS355	(1)	223269R2
D6000 or	C-DIODE	MA2J111	(1)	223279R2
D6000 or	C-DIODE	KDS4148U	(1)	223283R2
D6001	C-DIODE	DA2J10100	1	223303R2
D6001 or	C-DIODE	ISS352	(1)	223234R2
D6001 or	C-DIODE	ISS355	(1)	223269R2
D6001 or	C-DIODE	MA2J111	(1)	223279R2
D6001 or	C-DIODE	KDS4148U	(1)	223283R2
D6002	C-DIODE	DA2J10100	1	223303R2
D6002 or	C-DIODE	ISS352	(1)	223234R2
D6002 or	C-DIODE	ISS355	(1)	223269R2
D6002 or	C-DIODE	MA2J111	(1)	223279R2
D6002 or	C-DIODE	KDS4148U	(1)	223283R2
D6003	C-DIODE	DA2J10100	1	223303R2

D6003 or	C-DIODE	ISS352	(1)	223234R2
D6003 or	C-DIODE	ISS355	(1)	223269R2
D6003 or	C-DIODE	MA2J111	(1)	223279R2
D6003 or	C-DIODE	KDS4148U	(1)	223283R2
D6004	C-DIODE	DA2J10100	1	223303R2
D6004 or	C-DIODE	ISS352	(1)	223234R2
D6004 or	C-DIODE	ISS355	(1)	223269R2
D6004 or	C-DIODE	MA2J111	(1)	223279R2
D6004 or	C-DIODE	KDS4148U	(1)	223283R2
D6051	C-DIODE	DA2J10100	1	223303R2
D6051 or	C-DIODE	ISS352	(1)	223234R2
D6051 or	C-DIODE	ISS355	(1)	223269R2
D6051 or	C-DIODE	MA2J111	(1)	223279R2
D6051 or	C-DIODE	KDS4148U	(1)	223283R2
D6052	C-DIODE	DA2J10100	1	223303R2
D6052 or	C-DIODE	ISS352	(1)	223234R2
D6052 or	C-DIODE	ISS355	(1)	223269R2
D6052 or	C-DIODE	MA2J111	(1)	223279R2
D6052 or	C-DIODE	KDS4148U	(1)	223283R2
D6053	C-DIODE	DA2J10100	1	223303R2
D6053 or	C-DIODE	ISS352	(1)	223234R2
D6053 or	C-DIODE	ISS355	(1)	223269R2
D6053 or	C-DIODE	MA2J111	(1)	223279R2
D6053 or	C-DIODE	KDS4148U	(1)	223283R2
D6055	C-DIODE	DA2J10100	1	223303R2
D6055 or	C-DIODE	ISS352	(1)	223234R2
D6055 or	C-DIODE	ISS355	(1)	223269R2
D6055 or	C-DIODE	MA2J111	(1)	223279R2
D6055 or	C-DIODE	KDS4148U	(1)	223283R2
D6401	DIODE	D5SBA60	1	22380070
D6401A	HEAT SINK	RAD-083	1	27160271
D6401C	SCREW	3P+10FN(3BC)	1	82143010GR
D6402	C-DIODE	DA2J10100	1	223303R2
D6402 or	C-DIODE	ISS352	(1)	223234R2

D6402 or	C-DIODE	ISS355	(1)	223269R2
D6402 or	C-DIODE	MA2J111	(1)	223279R2
D6402 or	C-DIODE	KDS4148U	(1)	223283R2
D6403	C-DIODE	DA2J10100	1	223303R2
D6403 or	C-DIODE	ISS352	(1)	223234R2
D6403 or	C-DIODE	ISS355	(1)	223269R2
D6403 or	C-DIODE	MA2J111	(1)	223279R2
D6403 or	C-DIODE	KDS4148U	(1)	223283R2
D6451	C-DIODE	DA2J10100	1	223303R2
D6451 or	C-DIODE	ISS352	(1)	223234R2
D6451 or	C-DIODE	ISS355	(1)	223269R2
D6451 or	C-DIODE	MA2J111	(1)	223279R2
D6451 or	C-DIODE	KDS4148U	(1)	223283R2
D6452	C-DIODE	DA2J10100	1	223303R2
D6452 or	C-DIODE	ISS352	(1)	223234R2
D6452 or	C-DIODE	ISS355	(1)	223269R2
D6452 or	C-DIODE	MA2J111	(1)	223279R2
D6452 or	C-DIODE	KDS4148U	(1)	223283R2
D6455	ZENER D	UDZS3.3B	1	224550330R2
D960	DIODE	RL1N4003	1	22380260T
D961	DIODE	RL1N4003	1	22380260T
D964	ZENER D	DZ2J360M0L	1	224763600R2
D964 or	ZENER D	UDZS36B	(1)	224553600R2
D965	DIODE	RL1N4003	1	22380260T
D965 or	DIODE	GP104003E	(1)	22380035T
D966	DIODE	RL1N4003	1	22380260T
D966 or	DIODE	GP104003E	(1)	22380035T
Q131	IC	TC74HCU04AF	1	222740046R2TO
Q4001	IC	R2A15218FP	1	22242605R3
Q4003	IC	NJM4580M-D	1	22241448R2
Q4100	TR	RN1441	1	2215410R2
Q4100 or	TR	RTAN430C-T112-1	(1)	2217780R2
Q4101	TR	RN1441	1	2215410R2
Q4101 or	TR	RTAN430C-T112-1	(1)	2217780R2

Q4102	TR	RN1441	1	2215410R2
Q4102 or	TR	RTAN430C-T112-1	(1)	2217780R2
Q4103	TR	RN1441	1	2215410R2
Q4103 or	TR	RTAN430C-T112-1	(1)	2217780R2
Q4104	TR	RN1441	1	2215410R2
Q4104 or	TR	RTAN430C-T112-1	(1)	2217780R2
Q4107	TR	RN1441	1	2215410R2
Q4107 or	TR	RTAN430C-T112-1	(1)	2217780R2
Q4117	TR	RN1441	1	2215410R2
Q4117 or	TR	RTAN430C-T112-1	(1)	2217780R2
Q4130	IC	NJM4580M-D	1	22241448R2
Q4140	IC	NJM4580M-D	1	22241448R2
Q4142	IC	NJM4580M-D	1	22241448R2
Q4143	IC	NJM4580M-D	1	22241448R2
Q4170	IC	78M12HF(NJM78M12FA)	1	222780125JRC
Q4170 or	IC	78M12(AN78M12F)	(1)	222780125MAT
Q4170 or	IC	MPC78M12AHF-AZ	(1)	222780125NEC
Q4170A	HEAT-SINK	HEAT-SINK(RAD-68)	1	27160211
Q4170B	SCREW	3P+10FN(3BC)	1	82143010GR
Q4171	IC	79M12HF(NJM79M12FA)	1	222790125JRC
Q4171 or	IC	79M12F(AN79M12F)	(1)	222790125MAT
Q4171 or	IC	79M12HF(MPC79M12HF)	(1)	222790125NEC
Q4171A	HEAT-SINK	HEAT-SINK(RAD-68)	1	27160211
Q4171B	SCREW	3P+10FN(3BC)	1	82143010GR
Q4400	IC	NJM4580M-D	1	22241448R2
Q4401	TR	2SC2235-Y(TPE6_F)	1	2211654T
Q6000	TR	2SC1740S-S	1	2213285T
Q6001	TR	2SC1740S-S	1	2213285T
Q6002	TR	2SC1740S-S	1	2213285T
Q6003	TR	2SC1740S-S	1	2213285T
Q6004	TR	2SC1740S-S	1	2213285T
Q6070	TR	2SC2229-Y(TPE6_F)	1	2211634T
Q6071	TR	2SC2229-Y(TPE6_F)	1	2211634T
Q6072	TR	2SC2229-Y(TPE6_F)	1	2211634T

Q6073	TR	2SC2229-Y(TPE6_F)	1	2211634T
Q6074	TR	2SC2229-Y(TPE6_F)	1	2211634T
Q6380	IC	LM61CIZ	1	22242212
Q6380A	RETAINER	(PTH)	1	27141884-1
Q6407	TR	KTC3875-GR	1	2216175R2
Q6407 or	TR	2SC2712-GR	(1)	2213145R2
Q6408	TR	KRC105S	1	2217290R2
Q6408 or	TR	RN1405	(1)	2214500R2
Q6408 or	TR	DTC123JKA	(1)	2216690R2
Q6451	TR	KTC3875-GR	1	2216175R2
Q6451 or	TR	2SC2712-GR	(1)	2213145R2
Q6452	TR	KTC3875-GR	1	2216175R2
Q6452 or	TR	2SC2712-GR	(1)	2213145R2
Q6453	TR	2SA1163-BL(TE85L_F)	1	2216756R2
Q6453 or	TR	KTA1517-GR	(1)	2216305R2
Q6454	TR	2SA1163-BL(TE85L_F)	1	2216756R2
Q6454 or	TR	KTA1517-GR	(1)	2216305R2
Q6601	TR	KRC105S	1	2217290R2
Q6601 or	TR	RN1405	(1)	2214500R2
Q6601 or	TR	DTC123JKA	(1)	2216690R2
Q6602	TR	KRC105S	1	2217290R2
Q6602 or	TR	RN1405	(1)	2214500R2
Q6602 or	TR	DTC123JKA	(1)	2216690R2
Q6604	TR	KRC105S	1	2217290R2
Q6604 or	TR	RN1405	(1)	2214500R2
Q6604 or	TR	DTC123JKA	(1)	2216690R2
Q960	TR	2SC2235-Y(TPE6_F)	1	2211654T
Q960 or	TR	2SC2235-O(TPE6_F)	(1)	2211653T
[TRANS COIL]				
L131	CHOKE COIL	LBC2518T2R2M	1	231364M022R2
L133	CHOKE COIL	LBC2518T470M	1	231364M470R2
L134	CHOKE COIL	LBC2518T470M	1	231364M470R2
L135	EMIFIL	BK1608HS102-T	1	230955R2
L4001	CHOKE COIL	LBC2518T2R2M	1	231364M022R2

L6000	S-COIL	SC-0.8X5.5X18.5T	1	231431S	<B MPA, MPP, B MMK, MMQ, MMR>
L6001	S-COIL	SC-0.8X5.5X18.5T	1	231431S	<B MPA, MPP, B MMK, MMQ, MMR>
L6002	S-COIL	SC-0.8X5.5X18.5T	1	231431S	<B MPA, MPP, B MMK, MMQ, MMR>
L6003	S-COIL	SC-0.8X5.5X18.5T	1	231431S	<B MPA, MPP, B MMK, MMQ, MMR>
L6004	S-COIL	SC-0.8X5.5X18.5T	1	231431S	<B MPA, MPP, B MMK, MMQ, MMR>
[CAPACITOR]					
C130	C-CERA C	CK725F1E-104Z1	1	332161040R1	
C131	C-CERA C	CC725CH1H-101J1	1	342101014R1	
C133	C-CERA C	CK725B1C-104K1	1	332121045R1	
C135	C-CERA C	CC725CH1H-080D1	1	342100802R1	
C139	UTSP C	CE04W10V-220M(UTSP)	1	397532217T	
C140	C-CERA C	CK725F1E-104Z1	1	332161040R1	
C141	C-CERA C	CK725F1E-104Z1	1	332161040R1	
C142	C-CERA C	CK725F1E-104Z1	1	332161040R1	
C143	C-CERA C	CC725CH1H-330J1	1	342103304R1	
C144	C-CERA C	CC725CH1H-330J1	1	342103304R1	
C145	UTSP C	CE04W10V-220M(UTSP)	1	397532217T	
C4003	UPZ C	2AUPZTF221JE	1	376332214T	
C4004	UPZ C	2AUPZTF221JE	1	376332214T	
C4007	C-CERA C	CC725CH1H-221J1	1	342102214R1	
C4008	C-CERA C	CC725CH1H-221J1	1	342102214R1	
C4013	C-CERA C	CC725CH1H-221J1	1	342102214R1	
C4014	C-CERA C	CC725CH1H-221J1	1	342102214R1	
C4017	C-CERA C	CC725CH1H-221J1	1	342102214R1	
C4018	C-CERA C	CC725CH1H-221J1	1	342102214R1	
C4019	UPZ C	2AUPZTF221JE	1	376332214T	
C4020	UPZ C	2AUPZTF221JE	1	376332214T	
C4037	C-CERA C	CC725CH1H-221J1	1	342102214R1	<B MDC, MDF, B MPA, MPP, B MMK, MMQ, MMR>
C4050	UTSP C	CE04W25V-47M(UTSP)	1	397554707T	
C4051	UTSP C	CE04W25V-47M(UTSP)	1	397554707T	
C4052	UTSP C	CE04W25V-47M(UTSP)	1	397554707T	
C4053	UTSP C	CE04W25V-47M(UTSP)	1	397554707T	
C4054	UTSP C	CE04W25V-47M(UTSP)	1	397554707T	
C4057	UTSP C	CE04W25V-47M(UTSP)	1	397554707T	

C4060	UTSP C	CE04W50V 47M(UTSP)	1	397584707T	
C4061	UTSP C	CE04W50V 47M(UTSP)	1	397584707T	
C4062	TF C	ECQ-V50V-474J	1	374724744T	
C4063	TF C	ECQ-V50V-823J	1	374728234T	
C4064	TF C	ECQ-V50V-223J	1	374722234T	
C4065	TF C	ECQ-V50V-474J	1	374724744T	
C4066	TF C	ECQ-V50V-823J	1	374728234T	
C4067	TF C	ECQ-V50V-223J	1	374722234T	
C4070	UTSP C	CE04W50V 47M(UTSP)	1	397584707T	
C4071	UTSP C	CE04W50V 47M(UTSP)	1	397584707T	
C4072	UTSP C	CE04W50V 47M(UTSP)	1	397584707T	
C4073	UTSP C	CE04W50V 47M(UTSP)	1	397584707T	
C4074	UTSP C	CE04W50V 47M(UTSP)	1	397584707T	
C4077	UTSP C	CE04W50V 47M(UTSP)	1	397584707T	
C4085	UTSP C	CE04W25V-47M(UTSP)	1	397554707T	
C4086	UTSP C	CE04W25V-47M(UTSP)	1	397554707T	
C4090	C-CERA C	CC725CH1H-101J1	1	342101014R1	
C4091	C-CERA C	CC725CH1H-101J1	1	342101014R1	
C4100	UTSP C	CE04W50V 47M(UTSP)	1	397584707T	
C4101	UTSP C	CE04W50V 47M(UTSP)	1	397584707T	
C4102	UTSP C	CE04W50V 47M(UTSP)	1	397584707T	
C4103	UTSP C	CE04W50V 47M(UTSP)	1	397584707T	
C4104	UTSP C	CE04W50V 47M(UTSP)	1	397584707T	
C4107	UTSP C	CE04W50V 47M(UTSP)	1	397584707T	<B MDC, MDF, B MPA, MPP, B MMK, MMQ, MMR>
C4110	UTSP C	CE04W25V-220M(UTSP)	1	397552217T	
C4111	UTSP C	CE04W25V-220M(UTSP)	1	397552217T	
C4130	UTSP C	CE04W50V 47M(UTSP)	1	397584707T	
C4131	C-CERA C	CC725CH1H-221J1	1	342102214R1	
C4132	TF C	ECQ-V50V-103J	1	374721034T	
C4166	UTSP C	CE04W25V-220M(UTSP)	1	397552217T	
C4167	UTSP C	CE04W25V-220M(UTSP)	1	397552217T	
C4170	UTSP C	CE04W50V-1M(UTSP)	1	397580107T	
C4171	UTSP C	CE04W50V-1M(UTSP)	1	397580107T	
C4172	UTSP C	CE04W25V-220M(UTSP)	1	397552217T	

C4173	UTSP C	CE04W25V-220M(UTSP)	1	397552217T	
C4186	UTSP C	CE04W16V-470M(UTSP)	1	397544717T	
C4187	UTSP C	CE04W16V-470M(UTSP)	1	397544717T	
C4204	C-CERA C	CC725CH1H-102J1	1	342101024R1	
C4205	C-CERA C	CC725CH1H-102J1	1	342101024R1	
C4208	C-CERA C	CK725B1H-103K1	1	332101035R1	<B MDC, MDF, B MPA, MPP, B MMK, MMQ, MMR>
C4209	UTSP C	CE04W25V-47M(UTSP)	1	397554707T	
C4210	UTSP C	CE04W25V-47M(UTSP)	1	397554707T	
C4300	TF C	ECQ-V50V-334J	1	374723344T	
C4301	VR C	CE04W35V-1000M(VR)	1	394661027S	
C4301 or	JAMICON	CE04W35V-1000M	(1)	398561027T	
C4302	VR C	CE04W35V-470M(VR)	1	394664717T	
C4302 or	JAMICON	CE04W35V-470M	(1)	398564717T	
C4402	UTSP C	CE04W25V-47M(UTSP)	1	397554707T	
C4403	UTSP C	CE04W25V-47M(UTSP)	1	397554707T	
C4404	UTSP C	CE04W25V-47M(UTSP)	1	397554707T	
C4405	UTSP C	CE04W25V-47M(UTSP)	1	397554707T	
C4406	UTSP C	CE04W25V-47M(UTSP)	1	397554707T	
C4407	UTSP C	CE04W25V-47M(UTSP)	1	397554707T	
C4408	C-CERA C	CK725F1E-104Z1	1	332161040R1	
C4409	C-CERA C	CK725F1E-104Z1	1	332161040R1	
C4410	C-CERA C	CC725CH1H-681J1	1	342106814R1	
C4411	C-CERA C	CC725CH1H-681J1	1	342106814R1	
C4412	C-CERA C	CK725F1A-105Z1	1	332181050R1	
C4413	C-CERA C	CK725F1A-105Z1	1	332181050R1	
C4414	C-CERA C	CK725F1A-105Z1	1	332181050R1	
C4415	C-CERA C	CK725F1A-105Z1	1	332181050R1	
C4416	C-CERA C	CC725CH1H-101J1	1	342101014R1	
C4417	C-CERA C	CC725CH1H-101J1	1	342101014R1	
C4420	MKT C	B32529C0332J289	1	376493324T	
C4421	MKT C	B32529C0332J289	1	376493324T	
C4422	MKT C	B32529C0332J289	1	376493324T	
C4423	MKT C	B32529C0332J289	1	376493324T	
C4424	MKT C	B32529C0332J289	1	376493324T	

C4427	TF C	ECQ-V50V-333J	1	374723334T	
C4430	UPZ C	2AUPZTF151JE	1	376331514T	
C4431	UPZ C	2AUPZTF151JE	1	376331514T	
C4432	UPZ C	2AUPZTF151JE	1	376331514T	
C4433	C-CERA C	CC725CH1H-151J1	1	342101514R1	
C4434	C-CERA C	CC725CH1H-151J1	1	342101514R1	
C4437	MKT C	B32529C0102J289	1	376491024T	
C6050	TF C	ECQ-V50V-103J	1	374721034T	
C6051	TF C	ECQ-V50V-103J	1	374721034T	
C6052	TF C	ECQ-V50V-103J	1	374721034T	
C6053	TF C	ECQ-V50V-103J	1	374721034T	
C6054	TF C	ECQ-V50V-103J	1	374721034T	
C6070	TF C	ECQ-V50V-103J	1	374721034T	
C6071	TF C	ECQ-V50V-103J	1	374721034T	
C6072	TF C	ECQ-V50V-103J	1	374721034T	
C6073	TF C	ECQ-V50V-103J	1	374721034T	
C6074	TF C	ECQ-V50V-103J	1	374721034T	
C6080	MKT C	B32529C0102J289	1	376491024T	
C6081	MKT C	B32529C0102J289	1	376491024T	
C6082	MKT C	B32529C0102J289	1	376491024T	
C6083	MKT C	B32529C0102J289	1	376491024T	
C6084	MKT C	B32529C0102J289	1	376491024T	
C6088	MKT C	B32529C0102J289	1	376491024T	
C6089	MKT C	B32529C0102J289	1	376491024T	
C6111	C-CERA C	CC725CH1H-102J1	1	342101024R1	
C6112	C-CERA C	CC725CH1H-102J1	1	342101024R1	
C6113	C-CERA C	CC725CH1H-102J1	1	342101024R1	
C6115	C-CERA C	CC725CH1H-102J1	1	342101024R1	
C6250	TF C	ECQ-V50V-473J	1	374724734T	
C6251	TF C	ECQ-V50V-473J	1	374724734T	
C6252	TF C	ECQ-V50V-473J	1	374724734T	
C6253	TF C	ECQ-V50V-473J	1	374724734T	
C6254	TF C	ECQ-V50V-473J	1	374724734T	
C6401	ELECT C	CE69W56V-8200MB	1	3504416	<B MDC, MDF, B MPA, MPP>

C6401	ELECT C	CE69W63V-8200MB	1	3504420	<B MMK, MMQ, MMR>
C6402	ELECT C	CE69W56V-8200MB	1	3504416	<B MDC, MDF, B MPA, MPP>
C6402	ELECT C	CE69W63V-8200MB	1	3504420	<B MMK, MMQ, MMR>
C6411	C-CERA C	CC725CH1H-102J1	1	342101024R1	
C6412	TF C	ECQ-V50V-334J	1	374723344T	
C6413	TF C	ECQ-V50V-334J	1	374723344T	
C6417	C-CERA C	CC725CH1H-102J1	1	342101024R1	
C6451	UTSP C	CE04W25V-100M(UTSP)	1	397551017T	
C6452	C-CERA C	CK725F1E-104Z1	1	332161040R1	
C6453	UTSP C	CE04W50V-1M(UTSP)	1	397580107T	
C6454	UTSP C	CE04W50V-1M(UTSP)	1	397580107T	
C6455	C-CERA C	CK725F1E-104Z1	1	332161040R1	
C6456	UTSP C	CE04W50V-10M(UTSP)	1	397581007T	
C6630	C-CERA C	CK725F1E-104Z1	1	332161040R1	
C950	TF C	ECQ-V50V-104J	1	374721044T	
C960	VR C	CE04W63V-220M(VR)	1	394672217T	
C960 or	JAMICON	CE04W63V-220M	(1)	398572217T	
C961	UTSP C	CE04W50V 47M(UTSP)	1	397584707T	
C962	TF C	ECQ-V50V-104J	1	374721044T	
C963	UTSP C	CE04W50V 47M(UTSP)	1	397584707T	
[RESISTOR]					
R131	C-CARBON R	RN72K1J-750JE	1	435037504R1	
R133	C-CARBON R	RN72K1J-100JE	1	435031004R1	
R137	C-CARBON R	RN72K1J-103JE	1	435031034R1	
R139	C-CARBON R	RN72K1J-823JE	1	435038234R1	
R141	C-CARBON R	RN72K1J-470JE	1	435034704R1	
R142	C-CARBON R	RN72K1J-470JE	1	435034704R1	
R4000	C-CARBON R	RN72K1J-331JE	1	435033314R1	
R4001	METAL O R	RS1WBJ-10	1	443621004T	<B MDC, MDF, B MPA, MPP>
R4001	METAL R	RNU1WCJ-4.7	1	453630474T	<B MMK, MMQ, MMR>
R4003	C-CARBON R	RN72K1J-331JE	1	435033314R1	
R4004	C-CARBON R	RN72K1J-331JE	1	435033314R1	
R4005	METAL O R	RS1WBJ-15	1	443621504T	
R4006	METAL O R	RS1WBJ-15	1	443621504T	

R4007	C-CARBON R	RN72K1J-331JE	1	435033314R1	
R4008	C-CARBON R	RN72K1J-331JE	1	435033314R1	
R4013	C-CARBON R	RN72K1J-331JE	1	435033314R1	
R4014	C-CARBON R	RN72K1J-331JE	1	435033314R1	
R4015	C-CARBON R	RN72K1J-222JE	1	435032224R1	
R4016	C-CARBON R	RN72K1J-222JE	1	435032224R1	
R4017	C-CARBON R	RN72K1J-331JE	1	435033314R1	
R4018	C-CARBON R	RN72K1J-331JE	1	435033314R1	
R4019	C-CARBON R	RN72K1J-331JE	1	435033314R1	
R4020	C-CARBON R	RN72K1J-331JE	1	435033314R1	
R4023	C-CARBON R	RN72K1J-000JE	1	435030004R1	
R4027	C-CARBON R	RN72K1J-223JE	1	435032234R1	<B MDC, MDF, B MPA, MPP, B MMK, MMQ, MMR>
R4029	C-CARBON R	RN72K1J-101JE	1	435031014R1	<B MDC, MDF, B MPA, MPP, B MMK, MMQ, MMR>
R4043	C-CARBON R	RN72K1J-104JE	1	435031044R1	
R4044	C-CARBON R	RN72K1J-104JE	1	435031044R1	
R4047	C-CARBON R	RN72K1J-104JE	1	435031044R1	
R4048	C-CARBON R	RN72K1J-104JE	1	435031044R1	
R4053	C-CARBON R	RN72K1J-104JE	1	435031044R1	
R4054	C-CARBON R	RN72K1J-104JE	1	435031044R1	
R4055	C-CARBON R	RN72K1J-224JE	1	435032244R1	
R4056	C-CARBON R	RN72K1J-224JE	1	435032244R1	
R4057	C-CARBON R	RN72K1J-104JE	1	435031044R1	
R4058	C-CARBON R	RN72K1J-104JE	1	435031044R1	
R4059	C-CARBON R	RN72K1J-104JE	1	435031044R1	
R4060	C-CARBON R	RN72K1J-104JE	1	435031044R1	
R4067	C-CARBON R	RN72K1J-104JE	1	435031044R1	
R4068	C-CARBON R	RN72K1J-104JE	1	435031044R1	
R4078	C-CARBON R	RN72K1J-473JE	1	435034734R1	
R4079	C-CARBON R	RN72K1J-473JE	1	435034734R1	
R4082	C-CARBON R	RN72K1J-104JE	1	435031044R1	
R4085	C-CARBON R	RN72K1J-182JE	1	435031824R1	
R4086	C-CARBON R	RN72K1J-182JE	1	435031824R1	
R4087	C-CARBON R	RN72K1J-222JE	1	435032224R1	
R4088	C-CARBON R	RN72K1J-222JE	1	435032224R1	

R4089	C-CARBON R	RN72K1J-000JE	1	435030004R1	
R4090	C-CARBON R	RN72K1J-123JE	1	435031234R1	
R4091	C-CARBON R	RN72K1J-223JE	1	435032234R1	
R4092	C-CARBON R	RN72K1J-331JE	1	435033314R1	
R4093	C-CARBON R	RN72K1J-332JE	1	435033324R1	
R4094	C-CARBON R	RN72K1J-103JE	1	435031034R1	
R4095	C-CARBON R	RN72K1J-103JE	1	435031034R1	
R4096	C-CARBON R	RN72K1J-331JE	1	435033314R1	
R4097	C-CARBON R	RN72K1J-332JE	1	435033324R1	
R4098	C-CARBON R	RN72K1J-123JE	1	435031234R1	
R4099	C-CARBON R	RN72K1J-223JE	1	435032234R1	
R4100	C-CARBON R	RN72K1J-224JE	1	435032244R1	
R4101	C-CARBON R	RN72K1J-224JE	1	435032244R1	
R4102	C-CARBON R	RN72K1J-224JE	1	435032244R1	
R4103	C-CARBON R	RN72K1J-224JE	1	435032244R1	
R4104	C-CARBON R	RN72K1J-224JE	1	435032244R1	
R4107	C-CARBON R	RN72K1J-224JE	1	435032244R1	<B MDC, MDF, B MPA, MPP, B MMK, MMQ, MMR>
R4110	C-CARBON R	RN72K1J-222JE	1	435032224R1	
R4111	C-CARBON R	RN72K1J-222JE	1	435032224R1	
R4112	C-CARBON R	RN72K1J-222JE	1	435032224R1	
R4113	C-CARBON R	RN72K1J-222JE	1	435032224R1	
R4114	C-CARBON R	RN72K1J-222JE	1	435032224R1	
R4117	C-CARBON R	RN72K1J-271JE	1	435032714R1	
R4127	C-CARBON R	RN72K1J-101JE	1	435031014R1	
R4130	C-CARBON R	RN72K1J-221JE	1	435032214R1	
R4131	C-CARBON R	RN72K1J-473JE	1	435034734R1	
R4132	C-CARBON R	RN72K1J-153JE	1	435031534R1	
R4133	C-CARBON R	RN72K1J-122JE	1	435031224R1	
R4134	C-CARBON R	RN72K1J-103JE	1	435031034R1	
R4160	METAL R	RNU1WCJ-0.22	1	453632294T	
R4161	METAL R	RNU1WCJ-0.22	1	453632294T	
R4166	C-CARBON R	RN72K1J-220JE	1	435032204R1	
R4167	C-CARBON R	RN72K1J-220JE	1	435032204R1	
R4174	METAL O R	RS1WBJ-68	1	443626804T	

R4175	METAL O R	RS1WBJ-68	1	443626804T
R4176	METAL O R	RS1WBJ-15	1	443621504T
R4177	METAL O R	RS1WBJ-15	1	443621504T
R4181	C-CARBON R	RN72K1J-224JE	1	435032244R1
R4189	C-CARBON R	RN72K1J-473JE	1	435034734R1
R4190	C-CARBON R	RN72K1J-473JE	1	435034734R1
R4192	C-CARBON R	RN72K1J-224JE	1	435032244R1
R4193	C-CARBON R	RN72K1J-224JE	1	435032244R1
R4194	C-CARBON R	RN72K1J-224JE	1	435032244R1
R4200	C-CARBON R	RN72K1J-220JE	1	435032204R1
R4201	C-CARBON R	RN72K1J-220JE	1	435032204R1
R4400	C-CARBON R	RN72K1J-223JE	1	435032234R1
R4401	C-CARBON R	RN72K1J-223JE	1	435032234R1
R4402	C-CARBON R	RN72K1J-333JE	1	435033334R1
R4403	C-CARBON R	RN72K1J-333JE	1	435033334R1
R4404	C-CARBON R	RN72K1J-223JE	1	435032234R1
R4405	C-CARBON R	RN72K1J-223JE	1	435032234R1
R4406	C-CARBON R	RN72K1J-273JE	1	435032734R1
R4407	C-CARBON R	RN72K1J-273JE	1	435032734R1
R4408	C-CARBON R	RN72K1J-331JE	1	435033314R1
R4409	C-CARBON R	RN72K1J-331JE	1	435033314R1
R4410	C-CARBON R	RN72K1J-104JE	1	435031044R1
R4411	C-CARBON R	RN72K1J-104JE	1	435031044R1
R4412	C-CARBON R	RN72K1J-220JE	1	435032204R1
R4413	C-CARBON R	RN72K1J-220JE	1	435032204R1
R4414	C-CARBON R	RN72K1J-220JE	1	435032204R1
R4415	C-CARBON R	RN72K1J-220JE	1	435032204R1
R4416	C-CARBON R	RN72K1J-471JE	1	435034714R1
R4417	C-CARBON R	RN72K1J-333JE	1	435033334R1
R4419	C-CARBON R	RN72K1J-000JE	1	435030004R1
R4420	C-CARBON R	RN72K1J-472JE	1	435034724R1
R4421	C-CARBON R	RN72K1J-472JE	1	435034724R1
R4422	C-CARBON R	RN72K1J-472JE	1	435034724R1
R4423	C-CARBON R	RN72K1J-472JE	1	435034724R1

R4424	C-CARBON R	RN72K1J-472JE	1	435034724R1
R4427	C-CARBON R	RN72K1J-472JE	1	435034724R1
R4430	C-CARBON R	RN72K1J-153JE	1	435031534R1
R4431	C-CARBON R	RN72K1J-153JE	1	435031534R1
R4432	C-CARBON R	RN72K1J-153JE	1	435031534R1
R4433	C-CARBON R	RN72K1J-153JE	1	435031534R1
R4434	C-CARBON R	RN72K1J-153JE	1	435031534R1
R4437	C-CARBON R	RN72K1J-153JE	1	435031534R1
R4440	C-CARBON R	RN72K1J-331JE	1	435033314R1
R4441	C-CARBON R	RN72K1J-331JE	1	435033314R1
R4442	C-CARBON R	RN72K1J-331JE	1	435033314R1
R4443	C-CARBON R	RN72K1J-331JE	1	435033314R1
R4444	C-CARBON R	RN72K1J-331JE	1	435033314R1
R4447	C-CARBON R	RN72K1J-331JE	1	435033314R1
R4450	C-CARBON R	RN72K1J-561JE	1	435035614R1
R4451	C-CARBON R	RN72K1J-561JE	1	435035614R1
R4452	C-CARBON R	RN72K1J-561JE	1	435035614R1
R4453	C-CARBON R	RN72K1J-561JE	1	435035614R1
R4454	C-CARBON R	RN72K1J-561JE	1	435035614R1
R4457	C-CARBON R	RN72K1J-561JE	1	435035614R1
R4601	C-CARBON R	RN72K1J-471JE	1	435034714R1
R4602	C-CARBON R	RN72K1J-000JE	1	435030004R1
R6080	NF CARBON R	R25J-0.22	1	415472294T
R6081	NF CARBON R	R25J-0.22	1	415472294T
R6082	NF CARBON R	R25J-0.22	1	415472294T
R6083	NF CARBON R	R25J-0.22	1	415472294T
R6084	NF CARBON R	R25J-0.22	1	415472294T
R6090	NF CARBON R	R25J-0.22	1	415472294T
R6091	NF CARBON R	R25J-0.22	1	415472294T
R6092	NF CARBON R	R25J-0.22	1	415472294T
R6093	NF CARBON R	R25J-0.22	1	415472294T
R6094	NF CARBON R	R25J-0.22	1	415472294T
R6100	METAL PR	MPR2W+2W 0R22	1	4000234
R6100 or	METAL P R	RF-2EGPJR22	(1)	4000243

R6101	METAL PR	MPR2W+2W 0R22	1	4000234
R6101 or	METAL P R	RF-2EGPJR22	(1)	4000243
R6102	METAL PR	MPR2W+2W 0R22	1	4000234
R6102 or	METAL P R	RF-2EGPJR22	(1)	4000243
R6103	METAL PR	MPR2W+2W 0R22	1	4000234
R6103 or	METAL P R	RF-2EGPJR22	(1)	4000243
R6104	METAL PR	MPR2W+2W 0R22	1	4000234
R6104 or	METAL P R	RF-2EGPJR22	(1)	4000243
R6140	C-CARBON R	RN72K1J-563JE	1	435035634R1
R6141	C-CARBON R	RN72K1J-563JE	1	435035634R1
R6142	C-CARBON R	RN72K1J-563JE	1	435035634R1
R6143	C-CARBON R	RN72K1J-563JE	1	435035634R1
R6144	C-CARBON R	RN72K1J-563JE	1	435035634R1
R6150	C-CARBON R	RN72K1J-103JE	1	435031034R1
R6151	C-CARBON R	RN72K1J-103JE	1	435031034R1
R6152	C-CARBON R	RN72K1J-103JE	1	435031034R1
R6153	C-CARBON R	RN72K1J-103JE	1	435031034R1
R6154	C-CARBON R	RN72K1J-103JE	1	435031034R1
R6160	CARBON R	R16J-33K	1	417343334T
R6161	CARBON R	R16J-33K	1	417343334T
R6162	CARBON R	R16J-33K	1	417343334T
R6163	CARBON R	R16J-33K	1	417343334T
R6164	CARBON R	R16J-33K	1	417343334T
R6170	CARBON R	R16J-47K	1	417344734T
R6171	CARBON R	R16J-47K	1	417344734T
R6172	CARBON R	R16J-47K	1	417344734T
R6173	CARBON R	R16J-47K	1	417344734T
R6174	CARBON R	R16J-47K	1	417344734T
R6180	CARBON R	R16J-47K	1	417344734T
R6181	CARBON R	R16J-47K	1	417344734T
R6182	CARBON R	R16J-47K	1	417344734T
R6183	CARBON R	R16J-47K	1	417344734T
R6184	CARBON R	R16J-47K	1	417344734T
R6200	C-CARBON R	RN72K1J-562JE	1	435035624R1

R6201	C-CARBON R	RN72K1J-562JE	1	435035624R1	
R6202	C-CARBON R	RN72K1J-562JE	1	435035624R1	
R6203	C-CARBON R	RN72K1J-562JE	1	435035624R1	
R6204	C-CARBON R	RN72K1J-562JE	1	435035624R1	
R6210	C-CARBON R	RN72K1J-392JE	1	435033924R1	
R6211	C-CARBON R	RN72K1J-392JE	1	435033924R1	
R6212	C-CARBON R	RN72K1J-392JE	1	435033924R1	
R6213	C-CARBON R	RN72K1J-392JE	1	435033924R1	
R6214	C-CARBON R	RN72K1J-392JE	1	435033924R1	
R6230	C-CARBON R	RN72K1J-471JE	1	435034714R1	
R6231	C-CARBON R	RN72K1J-471JE	1	435034714R1	
R6232	C-CARBON R	RN72K1J-471JE	1	435034714R1	
R6233	C-CARBON R	RN72K1J-471JE	1	435034714R1	
R6234	C-CARBON R	RN72K1J-471JE	1	435034714R1	
R6300	C-CARBON R	RN72K1J-000JE	1	435030004R1	
R6301	C-CARBON R	RN72K1J-000JE	1	435030004R1	
R6305	C-CARBON R	RN72K1J-000JE	1	435030004R1	
R6402	C-CARBON R	RN72K1J-102JE	1	435031024R1	
R6403	C-CARBON R	RN72K1J-473JE	1	435034734R1	
R6412	METAL R	RNU1/2WCJ-0.1	1	453531094T	
R6420	METAL O R	RS1/2WBJ-390	1	443523914T	
R6421	METAL O R	RS1/2WBJ-390	1	443523914T	
R6430	METAL O R	RS1/2WBJ-10	1	443521004T	<B MPA, MPP, B MMK, MMQ, MMR>
R6431	METAL O R	RS1/2WBJ-10	1	443521004T	<B MPA, MPP, B MMK, MMQ, MMR>
R6432	METAL O R	RS1/2WBJ-10	1	443521004T	<B MPA, MPP, B MMK, MMQ, MMR>
R6433	METAL O R	RS1/2WBJ-10	1	443521004T	<B MPA, MPP, B MMK, MMQ, MMR>
R6434	METAL O R	RS1/2WBJ-10	1	443521004T	<B MPA, MPP, B MMK, MMQ, MMR>
R6440	METAL R	RNU1WCJ-8.2	1	453630824T	
R6441	METAL R	RNU1WCJ-8.2	1	453630824T	
R6442	METAL R	RNU1WCJ-8.2	1	453630824T	
R6443	METAL R	RNU1WCJ-8.2	1	453630824T	
R6444	METAL R	RNU1WCJ-8.2	1	453630824T	
R6451	C-CARBON R	RN72K1J-333JE	1	435033334R1	
R6452	C-CARBON R	RN72K1J-103JE	1	435031034R1	

R6453	C-CARBON R	RN72K1J-223JE	1	435032234R1	
R6454	C-CARBON R	RN72K1J-473JE	1	435034734R1	
R6455	C-CARBON R	RN72K1J-103JE	1	435031034R1	
R6456	C-CARBON R	RN72K1J-223JE	1	435032234R1	
R6457	C-CARBON R	RN72K1J-223JE	1	435032234R1	
R6458	C-CARBON R	RN72K1J-562JE	1	435035624R1	
R6459	C-CARBON R	RN72K1J-562JE	1	435035624R1	
R6460	C-CARBON R	RN72K1J-473JE	1	435034734R1	
R950	METAL O R	RS1WBJ-10	1	443621004T	
R960	METAL R	RNU1/2WCJ-8.2	1	453530824T	
R961	CARBON R	R16J-3.3	1	417340334T	
R962	C-CARBON R	RN72K1J-822JE	1	435038224R1	
R963	C-CARBON R	RN72K1J-822JE	1	435038224R1	
R964	C-CARBON R	RN72K1J-333JE	1	435033334R1	
[SW TRM]					
F6901A	FUSE HOL	NSCT-1P2031	1	25052133T	!
F6901B	FUSE HOL	NSCT-1P2031	1	25052133T	!
F6902A	FUSE HOL	NSCT-1P2031	1	25052133T	!
F6902B	FUSE HOL	NSCT-1P2031	1	25052133T	!
JL501A	WIRE HOL	NSCT-3P874	1	25051087	
JL600A	WIRE HOL	NSCT-7P898	1	25051111	
JL600B	WIRE HOL	NSCT-7P898	1	25051111	
JL603A	WIRE HOL	NSCT-9P900	1	25051113	
JL603B	WIRE HOL	NSCT-9P900	1	25051113	
JL605B	SOCKET	NSCT-5P97	1	25050269	
JL951A	WIRE HOL	NSCT-5P896	1	25051109	
JL951B	WIRE HOL	NSCT-5P896	1	25051109	
JL952A	WIRE HOL	NSCT-3P894	1	25051107	
JL953B	WIRE TRAP	NPLG-5P588	1	25055626	
JL954A	WIRE HOL	NSCT-9P900	1	25051113	
JL954B	WIRE HOL	NSCT-9P900	1	25051113	
P101B	SOCKET	NSCT-9P2102	1	25052205	
P131	PIN JACK	NPJ-1PDO554	1	25045772	
P4000	ST JACK	MSJ-035-22	1	25045887	

P4002	PIN JACK	NPJ-4PDWR690	1	25045922	
P4005	PIN JACK	NPJ-4PDWRR624	1	25045845	
P4006	PIN JACK	NPJ-4PDWRR624	1	25045845	
P4009	PIN JACK	NPJ-1PDP555	1	25045773	<B MDC, MDF, B MPA, MPP, B MMK, MMQ, MMR>
P5507A	TRM	NTM-1P232(M1700)	1	25060301	
P5509A	TRM	NTM-1P232(M1700)	1	25060301	
P6000B	PLUG	NPLG-9P0964	1	25056014	
P6001	TRM	NTM-10PDML363	1	25060434	<B MDC, MDF, B MPA, MPP, B MMK, MMQ, MMR>
P6001B	PLUG	NPLG-9P0964	1	25056014	
P6002	TRM	NTM-4PDML364	1	25060435	
P6002B	PLUG	NPLG-9P0964	1	25056014	
P6003B	PLUG	NPLG-3P0958	1	25056008	
P6004B	PLUG	NPLG-9P0964	1	25056014	
P6010A	TRM	NTM-1P232(M1700)	1	25060301	
P6013B	PLUG	NPLG-7P0962	1	25056012	
P6080	PLUG	NPLG-2P29	1	25055038	
P6081	PLUG	NPLG-2P29	1	25055038	
P6082	PLUG	NPLG-2P29	1	25055038	
P6083	PLUG	NPLG-2P29	1	25055038	
P6084	PLUG	NPLG-2P29	1	25055038	
P6105	HOLDER	(CRAMP) UA-0 V0	1	27190608-1	
P6106	WS CLAMP	CB-71683(L=50)	1	260261	
P6107	WS CLAMP	CB-71683(L=50)	1	260261	
P6400	CRIMP AS	CRIMP AS	1	20799165UL	
P6401	CRIMP AS	CRIMP AS	1	2069925189UL	
P6402	CRIMP AS	CRIMP AS	1	2069925252UL	
P703B	SOCKET	NSCT-7P2398	1	25052501	
P8001A	SOCKET	NSCT-21P2412	1	25052515	
P8002A	SOCKET	NSCT-9P2400	1	25052503	
P8003B	PLUG	NPLG-7P0962	1	25056012	
RL641	RELAY	NRL-1P10A-DC12-196	1	25065707	
RL641 or	RELAY	NRL-1P10A-DC12-197	(1)	25065708	
RL641 or	RELAY	NRL-1P10A-DC12-198	(1)	25065709	
RL642	RELAY	NRL-1P10A-DC12-196	1	25065707	

RL642 or	RELAY	NRL-1P10A-DC12-197	(1)	25065708	
RL642 or	RELAY	NRL-1P10A-DC12-198	(1)	25065709	
RL643	RELAY	NRL-2P5A-DC24-129	1	25065563A	
RL643 or	RELAY	NRL-2P5A-DC24-193	(1)	25065703	
RL660	RELAY	NRL-2P5A-DC24-129	1	25065563A	
RL660 or	RELAY	NRL-2P8A-DC24-144	(1)	25065590	
RL660 or	RELAY	NRL-2P8A-DC24-201	(1)	25065718	N
RL662	RELAY	NRL-2P5A-DC24-129	1	25065563A	
RL662 or	RELAY	NRL-2P8A-DC24-144	(1)	25065590	
RL662 or	RELAY	NRL-2P8A-DC24-201	(1)	25065718	N
RL663	RELAY	NRL-2P5A-DC24-129	1	25065563A	
RL663 or	RELAY	NRL-2P8A-DC24-144	(1)	25065590	
RL663 or	RELAY	NRL-2P8A-DC24-201	(1)	25065718	N
RL669	RELAY	NRL-2P5A-DC24-129	1	25065563A	
RL669 or	RELAY	NRL-2P8A-DC24-144	(1)	25065590	
RL669 or	RELAY	NRL-2P8A-DC24-201	(1)	25065718	N
[TUNER UNIT]					
U131	PHT CP	JSR1165-001recieving	1	24120143	
U132	PHT CP	JSR1165-001recieving	1	24120143	
U002 U0020 x 2pcs					
U0020		AMPLIFIER	BACLA-1130-2A *		
			BACLA-1130-2A		
CIRCUIT N	PART NAME	DESCRIPTION	Q'TY	PART NO. (SN)	REMARKS
[SEMI CONDUCTOR]					
D5000	ZENER D	HZS6A3	1	224860560T	
D5000 or	ZENER D	MTZJ5.6B	(1)	224470562T	
D5001	ZENER D	HZS6A3	1	224860560T	
D5001 or	ZENER D	MTZJ5.6B	(1)	224470562T	
D5002	ZENER D	HZS6A3	1	224860560T	
D5002 or	ZENER D	MTZJ5.6B	(1)	224470562T	
D5003	ZENER D	HZS6A3	1	224860560T	
D5003 or	ZENER D	MTZJ5.6B	(1)	224470562T	

D5004	ZENER D	HZS6A3	1	224860560T
D5004 or	ZENER D	MTZJ5.6B	(1)	224470562T
Q5000	TR	KTC3200-BL	1	2215896T
Q5001	TR	KTC3200-BL	1	2215896T
Q5002	TR	KTC3200-BL	1	2215896T
Q5003	TR	KTC3200-BL	1	2215896T
Q5004	TR	KTC3200-BL	1	2215896T
Q5010	TR	KTC3200-BL	1	2215896T
Q5011	TR	KTC3200-BL	1	2215896T
Q5012	TR	KTC3200-BL	1	2215896T
Q5013	TR	KTC3200-BL	1	2215896T
Q5014	TR	KTC3200-BL	1	2215896T
Q5030	TR	2SA949-Y(TPE6_F)	1	2211354T
Q5030 or	TR	2SA949-O(TPE6_F)	(1)	2211353T
Q5030A	RETAINER	(CLA2)	1	27142140A
Q5031	TR	2SA949-Y(TPE6_F)	1	2211354T
Q5031 or	TR	2SA949-O(TPE6_F)	(1)	2211353T
Q5031A	RETAINER	(CLA2)	1	27142140A
Q5032	TR	2SA949-Y(TPE6_F)	1	2211354T
Q5032 or	TR	2SA949-O(TPE6_F)	(1)	2211353T
Q5032A	RETAINER	(CLA2)	1	27142140A
Q5033	TR	2SA949-Y(TPE6_F)	1	2211354T
Q5033 or	TR	2SA949-O(TPE6_F)	(1)	2211353T
Q5033A	RETAINER	(CLA2)	1	27142140A
Q5034	TR	2SA949-Y(TPE6_F)	1	2211354T
Q5034 or	TR	2SA949-O(TPE6_F)	(1)	2211353T
Q5034A	RETAINER	(CLA2)	1	27142140A
Q5040	TR	2SC2229-Y(TPE6_F)	1	2211634T
Q5040 or	TR	2SC2229-O(TPE6_F)	(1)	2211633T
Q5041	TR	2SC2229-Y(TPE6_F)	1	2211634T
Q5041 or	TR	2SC2229-O(TPE6_F)	(1)	2211633T
Q5042	TR	2SC2229-Y(TPE6_F)	1	2211634T
Q5042 or	TR	2SC2229-O(TPE6_F)	(1)	2211633T
Q5043	TR	2SC2229-Y(TPE6_F)	1	2211634T

Q5043 or	TR	2SC2229-O(TPE6_F)	(1)	2211633T
Q5044	TR	2SC2229-Y(TPE6_F)	1	2211634T
Q5044 or	TR	2SC2229-O(TPE6_F)	(1)	2211633T
Q5050	TR	KTC3200-BL	1	2215896T
Q5051	TR	KTC3200-BL	1	2215896T
Q5052	TR	KTC3200-BL	1	2215896T
Q5053	TR	KTC3200-BL	1	2215896T
Q5054	TR	KTC3200-BL	1	2215896T
Q6010	TR	2SC1740S-S	1	2213285T
Q6010 or	TR	KTC3198-GR	(1)	2215985T
Q6011	TR	2SC1740S-S	1	2213285T
Q6011 or	TR	KTC3198-GR	(1)	2215985T
Q6012	TR	2SC1740S-S	1	2213285T
Q6012 or	TR	KTC3198-GR	(1)	2215985T
Q6013	TR	2SC1740S-S	1	2213285T
Q6013 or	TR	KTC3198-GR	(1)	2215985T
Q6014	TR	2SC1740S-S	1	2213285T
Q6014 or	TR	KTC3198-GR	(1)	2215985T
Q6030	TR	2SC5171(ONK_Q)	1	2203010
Q6031	TR	2SC5171(ONK_Q)	1	2203010
Q6032	TR	2SC5171(ONK_Q)	1	2203010
Q6033	TR	2SC5171(ONK_Q)	1	2203010
Q6034	TR	2SC5171(ONK_Q)	1	2203010
Q6040	TR	2SA1930(ONK_Q)	1	2203000
Q6041	TR	2SA1930(ONK_Q)	1	2203000
Q6042	TR	2SA1930(ONK_Q)	1	2203000
Q6043	TR	2SA1930(ONK_Q)	1	2203000
Q6044	TR	2SA1930(ONK_Q)	1	2203000
[CAPACITOR]				
C5000	UPZ C	2AUPZTF101JE	1	376331014T
C5001	UPZ C	2AUPZTF101JE	1	376331014T
C5002	UPZ C	2AUPZTF101JE	1	376331014T
C5003	UPZ C	2AUPZTF101JE	1	376331014T
C5004	UPZ C	2AUPZTF101JE	1	376331014T

C5010	UTSP C	CE04W50V 47M(UTSP)	1	397584707T
C5011	UTSP C	CE04W50V 47M(UTSP)	1	397584707T
C5012	UTSP C	CE04W50V 47M(UTSP)	1	397584707T
C5013	UTSP C	CE04W50V 47M(UTSP)	1	397584707T
C5014	UTSP C	CE04W50V 47M(UTSP)	1	397584707T
C5020	UTSP C	CE04W50V-10M(UTSP)	1	397581007T
C5021	UTSP C	CE04W50V-10M(UTSP)	1	397581007T
C5022	UTSP C	CE04W50V-10M(UTSP)	1	397581007T
C5023	UTSP C	CE04W50V-10M(UTSP)	1	397581007T
C5024	UTSP C	CE04W50V-10M(UTSP)	1	397581007T
C5040	UTSP C	CE04W25V-220M(UTSP)	1	397552217T
C5041	UTSP C	CE04W25V-220M(UTSP)	1	397552217T
C5042	UTSP C	CE04W25V-220M(UTSP)	1	397552217T
C5043	UTSP C	CE04W25V-220M(UTSP)	1	397552217T
C5044	UTSP C	CE04W25V-220M(UTSP)	1	397552217T
C5050	UTSP C	CE04W50V 47M(UTSP)	1	397584707T
C5051	UTSP C	CE04W50V 47M(UTSP)	1	397584707T
C5052	UTSP C	CE04W50V 47M(UTSP)	1	397584707T
C5053	UTSP C	CE04W50V 47M(UTSP)	1	397584707T
C5054	UTSP C	CE04W50V 47M(UTSP)	1	397584707T
C5080	CERA C	CC45SL50V-040C	1	345020401T
C5081	CERA C	CC45SL50V-040C	1	345020401T
C5082	CERA C	CC45SL50V-040C	1	345020401T
C5083	CERA C	CC45SL50V-040C	1	345020401T
C5084	CERA C	CC45SL50V-040C	1	345020401T
C5090	UPZ C	2AUPZTF101JE	1	376331014T
C5091	UPZ C	2AUPZTF101JE	1	376331014T
C5092	UPZ C	2AUPZTF101JE	1	376331014T
C5093	UPZ C	2AUPZTF101JE	1	376331014T
C5094	UPZ C	2AUPZTF101JE	1	376331014T
C5100	VR C	CE04W100V-22M(VR)	1	394692207T
C5101	VR C	CE04W100V-22M(VR)	1	394692207T
C5102	VR C	CE04W100V-22M(VR)	1	394692207T
C5103	VR C	CE04W100V-22M(VR)	1	394692207T

C5104	VR C	CE04W100V-22M(VR)	1	394692207T
C5110	VR C	CE04W100V-22M(VR)	1	394692207T
C5111	VR C	CE04W100V-22M(VR)	1	394692207T
C5112	VR C	CE04W100V-22M(VR)	1	394692207T
C5113	VR C	CE04W100V-22M(VR)	1	394692207T
C5114	VR C	CE04W100V-22M(VR)	1	394692207T
C6040	UTSP C	CE04W50V 47M(UTSP)	1	397584707T
C6041	UTSP C	CE04W50V 47M(UTSP)	1	397584707T
C6042	UTSP C	CE04W50V 47M(UTSP)	1	397584707T
C6043	UTSP C	CE04W50V 47M(UTSP)	1	397584707T
C6044	UTSP C	CE04W50V 47M(UTSP)	1	397584707T
[RESISTOR]				
R5000	CARBON R	R16J-1.5K	1	417341524T
R5001	CARBON R	R16J-1.5K	1	417341524T
R5002	CARBON R	R16J-1.5K	1	417341524T
R5003	CARBON R	R16J-1.5K	1	417341524T
R5004	CARBON R	R16J-1.5K	1	417341524T
R5010	CARBON R	R16J-120K	1	417341244T
R5011	CARBON R	R16J-120K	1	417341244T
R5012	CARBON R	R16J-120K	1	417341244T
R5013	CARBON R	R16J-120K	1	417341244T
R5014	CARBON R	R16J-120K	1	417341244T
R5020	CARBON R	R16J-330	1	417343314T
R5021	CARBON R	R16J-330	1	417343314T
R5022	CARBON R	R16J-330	1	417343314T
R5023	CARBON R	R16J-330	1	417343314T
R5024	CARBON R	R16J-330	1	417343314T
R5030	CARBON R	R16J-120K	1	417341244T
R5031	CARBON R	R16J-120K	1	417341244T
R5032	CARBON R	R16J-120K	1	417341244T
R5033	CARBON R	R16J-120K	1	417341244T
R5034	CARBON R	R16J-120K	1	417341244T
R5040	CARBON R	R16J-2.2K	1	417342224T
R5041	CARBON R	R16J-2.2K	1	417342224T

R5042	CARBON R	R16J-2.2K	1	417342224T
R5043	CARBON R	R16J-2.2K	1	417342224T
R5044	CARBON R	R16J-2.2K	1	417342224T
R5050	CARBON R	R16J-4.7K	1	417344724T
R5051	CARBON R	R16J-4.7K	1	417344724T
R5052	CARBON R	R16J-4.7K	1	417344724T
R5053	CARBON R	R16J-4.7K	1	417344724T
R5054	CARBON R	R16J-4.7K	1	417344724T
R5060	CARBON R	R16J-1.2K	1	417341224T
R5061	CARBON R	R16J-1.2K	1	417341224T
R5062	CARBON R	R16J-1.2K	1	417341224T
R5063	CARBON R	R16J-1.2K	1	417341224T
R5064	CARBON R	R16J-1.2K	1	417341224T
R5080	CARBON R	R16J-510	1	417345114T
R5081	CARBON R	R16J-510	1	417345114T
R5082	CARBON R	R16J-510	1	417345114T
R5083	CARBON R	R16J-510	1	417345114T
R5084	CARBON R	R16J-510	1	417345114T
R5090	CARBON R	R16J-100K	1	417341044T
R5091	CARBON R	R16J-100K	1	417341044T
R5092	CARBON R	R16J-100K	1	417341044T
R5093	CARBON R	R16J-100K	1	417341044T
R5094	CARBON R	R16J-100K	1	417341044T
R5100	CARBON R	R16J-100K	1	417341044T
R5101	CARBON R	R16J-100K	1	417341044T
R5102	CARBON R	R16J-100K	1	417341044T
R5103	CARBON R	R16J-100K	1	417341044T
R5104	CARBON R	R16J-100K	1	417341044T
R5110	CARBON R	R16J-1K	1	417341024T
R5111	CARBON R	R16J-1K	1	417341024T
R5112	CARBON R	R16J-1K	1	417341024T
R5113	CARBON R	R16J-1K	1	417341024T
R5114	CARBON R	R16J-1K	1	417341024T
R5130	CARBON R	R16J-18K	1	417341834T

R5131	CARBON R	R16J-18K	1	417341834T
R5132	CARBON R	R16J-18K	1	417341834T
R5133	CARBON R	R16J-18K	1	417341834T
R5134	CARBON R	R16J-18K	1	417341834T
R5160	NF CARBON R	R25J-100	1	415471014T
R5161	NF CARBON R	R25J-100	1	415471014T
R5162	NF CARBON R	R25J-100	1	415471014T
R5163	NF CARBON R	R25J-100	1	415471014T
R5164	NF CARBON R	R25J-100	1	415471014T
R5170	NF CARBON R	R25J-100	1	415471014T
R5171	NF CARBON R	R25J-100	1	415471014T
R5172	NF CARBON R	R25J-100	1	415471014T
R5173	NF CARBON R	R25J-100	1	415471014T
R5174	NF CARBON R	R25J-100	1	415471014T
R5180	NF CARBON R	R25J-10	1	415471004T
R5181	NF CARBON R	R25J-10	1	415471004T
R5182	NF CARBON R	R25J-10	1	415471004T
R5183	NF CARBON R	R25J-10	1	415471004T
R5184	NF CARBON R	R25J-10	1	415471004T
R5190	NF CARBON R	R25J-10	1	415471004T
R5191	NF CARBON R	R25J-10	1	415471004T
R5192	NF CARBON R	R25J-10	1	415471004T
R5193	NF CARBON R	R25J-10	1	415471004T
R5194	NF CARBON R	R25J-10	1	415471004T
R5200	CARBON R	R16J-18K	1	417341834T
R5201	CARBON R	R16J-18K	1	417341834T
R5202	CARBON R	R16J-18K	1	417341834T
R5203	CARBON R	R16J-18K	1	417341834T
R5204	CARBON R	R16J-18K	1	417341834T
R5230	CARBON R	R16J-120K	1	417341244T
R5231	CARBON R	R16J-120K	1	417341244T
R5232	CARBON R	R16J-120K	1	417341244T
R5233	CARBON R	R16J-120K	1	417341244T
R5234	CARBON R	R16J-120K	1	417341244T

R5300	CARBON R	R16J-22	1	417342204T
R5301	CARBON R	R16J-22	1	417342204T
R5302	CARBON R	R16J-22	1	417342204T
R5303	CARBON R	R16J-22	1	417342204T
R5304	CARBON R	R16J-22	1	417342204T
R5310	CARBON R	R16J-22	1	417342204T
R5311	CARBON R	R16J-22	1	417342204T
R5312	CARBON R	R16J-22	1	417342204T
R5313	CARBON R	R16J-22	1	417342204T
R5314	CARBON R	R16J-22	1	417342204T
R5320	CARBON R	R16J-120K	1	417341244T
R5321	CARBON R	R16J-120K	1	417341244T
R5322	CARBON R	R16J-120K	1	417341244T
R5323	CARBON R	R16J-120K	1	417341244T
R5324	CARBON R	R16J-120K	1	417341244T
R6020	NF CARBON R	R25J-2.2	1	415470224T
R6021	NF CARBON R	R25J-2.2	1	415470224T
R6022	NF CARBON R	R25J-2.2	1	415470224T
R6023	NF CARBON R	R25J-2.2	1	415470224T
R6024	NF CARBON R	R25J-2.2	1	415470224T
R6040	TRIM R	N06HR2KBB	1	5211402T
R6041	TRIM R	N06HR2KBB	1	5211402T
R6042	TRIM R	N06HR2KBB	1	5211402T
R6043	TRIM R	N06HR2KBB	1	5211402T
R6044	TRIM R	N06HR2KBB	1	5211402T
R6050	CARBON R	R16J-3.3K	1	417343324T
R6051	CARBON R	R16J-3.3K	1	417343324T
R6052	CARBON R	R16J-3.3K	1	417343324T
R6053	CARBON R	R16J-3.3K	1	417343324T
R6054	CARBON R	R16J-3.3K	1	417343324T
R6070	NF CARBON R	R25J-82	1	415478204T
R6071	NF CARBON R	R25J-82	1	415478204T
R6072	NF CARBON R	R25J-82	1	415478204T
R6073	NF CARBON R	R25J-82	1	415478204T

R6074	NF CARBON R	R25J-82	1	415478204T
[SW TRM]				
P5507B	TRM	NTM-1P233(M1969)	1	25060302
P5509B	TRM	NTM-1P233(M1969)	1	25060302
P6000	SOCKET	NSCT-9P2189	1	25052292
P6001	SOCKET	NSCT-9P2189	1	25052292
P6002	SOCKET	NSCT-9P2189	1	25052292
P6003	SOCKET	NSCT-3P2183	1	25052286
P6004	SOCKET	NSCT-9P2189	1	25052292
P6013A	SOCKET	NSCT-7P2187	1	25052290

U004	U0040~U0044	BADIS-0654-3A/3B *
U0040	DISPLAY PC BOARD ASS'Y	BADIS-0654-3A/3B
U0041	SWITCH PC BOARD ASS'Y	BADIS-0655-3A/3B
U0042	VIDEO PC BOARD ASS'Y	BAVD-0656-3A/3B
U0043	PHONE JACK PC BOARD ASS'Y	BAETC-0658-3A/3B
U0044	POWER SUPPLY PC BOARD ASS'Y	BAPS-0659-3A/3B

CIRCUIT N	PART NAME	DESCRIPTION	Q'TY	PART NO. (SN)	REMARKS
[SEMI CONDUCTOR]					
D7002	ZENER D	DZ2J082M0L	1	224760820R2	
D7002 or	ZENER D	UDZS8.2B	(1)	224550820R2	
D7033	ZENER D	DZ2J039M0L	1	224760390R2	
D7033 or	ZENER D	UDZS3.9B	(1)	224550390R2	
D7152	LED	SLI-343Y8C-TE7	1	225490T	
D7301	C-DIODE	DA2J10100	1	223303R2	
D7301 or	C-DIODE	1SS352	(1)	223234R2	
D7301 or	C-DIODE	1SS355	(1)	223269R2	
D7301 or	C-DIODE	MA2J111	(1)	223279R2	
D7301 or	C-DIODE	KDS4148U	(1)	223283R2	
D7302	C-DIODE	DA2J10100	1	223303R2	
D7302 or	C-DIODE	1SS352	(1)	223234R2	
D7302 or	C-DIODE	1SS355	(1)	223269R2	

D7302 or	C-DIODE	MA2J111	(1)	223279R2	
D7302 or	C-DIODE	KDS4148U	(1)	223283R2	
D7501	C-DIODE	DA2J10100	1	223303R2	<B MDC, MDF, B MMK, MMQ, MMR, MPA, MPP>
D7501 or	C-DIODE	ISS352	(1)	223234R2	<B MDC, MDF, B MMK, MMQ, MMR, MPA, MPP>
D7501 or	C-DIODE	ISS355	(1)	223269R2	<B MDC, MDF, B MMK, MMQ, MMR, MPA, MPP>
D7501 or	C-DIODE	MA2J111	(1)	223279R2	<B MDC, MDF, B MMK, MMQ, MMR, MPA, MPP>
D7501 or	C-DIODE	KDS4148U	(1)	223283R2	<B MDC, MDF, B MMK, MMQ, MMR, MPA, MPP>
D7502	C-DIODE	DA2J10100	1	223303R2	<B MDC, MDF, B MMK, MMQ, MMR, MPA, MPP>
D7502 or	C-DIODE	ISS352	(1)	223234R2	<B MDC, MDF, B MMK, MMQ, MMR, MPA, MPP>
D7502 or	C-DIODE	ISS355	(1)	223269R2	<B MDC, MDF, B MMK, MMQ, MMR, MPA, MPP>
D7502 or	C-DIODE	MA2J111	(1)	223279R2	<B MDC, MDF, B MMK, MMQ, MMR, MPA, MPP>
D7502 or	C-DIODE	KDS4148U	(1)	223283R2	<B MDC, MDF, B MMK, MMQ, MMR, MPA, MPP>
D7503	C-DIODE	DA2J10100	1	223303R2	<B MDC, MDF, B MMK, MMQ, MMR, MPA, MPP>
D7503 or	C-DIODE	ISS352	(1)	223234R2	<B MDC, MDF, B MMK, MMQ, MMR, MPA, MPP>
D7503 or	C-DIODE	ISS355	(1)	223269R2	<B MDC, MDF, B MMK, MMQ, MMR, MPA, MPP>
D7503 or	C-DIODE	MA2J111	(1)	223279R2	<B MDC, MDF, B MMK, MMQ, MMR, MPA, MPP>
D7503 or	C-DIODE	KDS4148U	(1)	223283R2	<B MDC, MDF, B MMK, MMQ, MMR, MPA, MPP>
D7504	C-DIODE	DA2J10100	1	223303R2	<B MDC, MDF, B MMK, MMQ, MMR, MPA, MPP>
D7504 or	C-DIODE	ISS352	(1)	223234R2	<B MDC, MDF, B MMK, MMQ, MMR, MPA, MPP>
D7504 or	C-DIODE	ISS355	(1)	223269R2	<B MDC, MDF, B MMK, MMQ, MMR, MPA, MPP>
D7504 or	C-DIODE	MA2J111	(1)	223279R2	<B MDC, MDF, B MMK, MMQ, MMR, MPA, MPP>
D7504 or	C-DIODE	KDS4148U	(1)	223283R2	<B MDC, MDF, B MMK, MMQ, MMR, MPA, MPP>
D9011	DIODE	D5SBA60	1	22380070F	
D9014	C-DIODE	DA2J10100	1	223303R2	
D9014 or	C-DIODE	ISS352	(1)	223234R2	
D9014 or	C-DIODE	ISS355	(1)	223269R2	
D9014 or	C-DIODE	MA2J111	(1)	223279R2	
D9014 or	C-DIODE	KDS4148U	(1)	223283R2	
D9015	C-DIODE	DA2J10100	1	223303R2	
D9015 or	C-DIODE	ISS352	(1)	223234R2	
D9015 or	C-DIODE	ISS355	(1)	223269R2	
D9015 or	C-DIODE	MA2J111	(1)	223279R2	
D9015 or	C-DIODE	KDS4148U	(1)	223283R2	
D9016	ZENER D	DZZJ062M0L	1	224760620R2	

D9016 or	ZENER D	UDZS6.2B	(1)	224550620R2
D911	C-DIODE	DA2J10100	1	223303R2
D911 or	C-DIODE	ISS352	(1)	223234R2
D911 or	C-DIODE	ISS355	(1)	223269R2
D911 or	C-DIODE	MA2J111	(1)	223279R2
D911 or	C-DIODE	KDS4148U	(1)	223283R2
D912	C-DIODE	DA2J10100	1	223303R2
D912 or	C-DIODE	ISS352	(1)	223234R2
D912 or	C-DIODE	ISS355	(1)	223269R2
D912 or	C-DIODE	MA2J111	(1)	223279R2
D912 or	C-DIODE	KDS4148U	(1)	223283R2
D921	C-DIODE	DA2J10100	1	223303R2
D921 or	C-DIODE	ISS352	(1)	223234R2
D921 or	C-DIODE	ISS355	(1)	223269R2
D921 or	C-DIODE	MA2J111	(1)	223279R2
D921 or	C-DIODE	KDS4148U	(1)	223283R2
D922	C-DIODE	DA2J10100	1	223303R2
D922 or	C-DIODE	ISS352	(1)	223234R2
D922 or	C-DIODE	ISS355	(1)	223269R2
D922 or	C-DIODE	MA2J111	(1)	223279R2
D922 or	C-DIODE	KDS4148U	(1)	223283R2
D923	C-DIODE	DA2J10100	1	223303R2
D923 or	C-DIODE	ISS352	(1)	223234R2
D923 or	C-DIODE	ISS355	(1)	223269R2
D923 or	C-DIODE	MA2J111	(1)	223279R2
D923 or	C-DIODE	KDS4148U	(1)	223283R2
D924	C-DIODE	DA2J10100	1	223303R2
D924 or	C-DIODE	ISS352	(1)	223234R2
D924 or	C-DIODE	ISS355	(1)	223269R2
D924 or	C-DIODE	MA2J111	(1)	223279R2
D924 or	C-DIODE	KDS4148U	(1)	223283R2
D925	C-DIODE	DA2J10100	1	223303R2
D925 or	C-DIODE	ISS352	(1)	223234R2
D925 or	C-DIODE	ISS355	(1)	223269R2

D925 or	C-DIODE	MA2J111	(1)	223279R2	
D925 or	C-DIODE	KDS4148U	(1)	223283R2	
D930	C-DIODE	DA2J10100	1	223303R2	
D930 or	C-DIODE	ISS352	(1)	223234R2	
D930 or	C-DIODE	ISS355	(1)	223269R2	
D930 or	C-DIODE	MA2J111	(1)	223279R2	
D930 or	C-DIODE	KDS4148U	(1)	223283R2	
D931	C-DIODE	DA2J10100	1	223303R2	
D931 or	C-DIODE	ISS352	(1)	223234R2	
D931 or	C-DIODE	ISS355	(1)	223269R2	
D931 or	C-DIODE	MA2J111	(1)	223279R2	
D931 or	C-DIODE	KDS4148U	(1)	223283R2	
D933	C-DIODE	DA2J10100	1	223303R2	
D933 or	C-DIODE	ISS352	(1)	223234R2	
D933 or	C-DIODE	ISS355	(1)	223269R2	
D933 or	C-DIODE	MA2J111	(1)	223279R2	
D933 or	C-DIODE	KDS4148U	(1)	223283R2	
D934	ZENER D	DZ2J047M0L	1	224760470R2	<B MDC, MDF>
D934	ZENER D	DZ2J051M0L	1	224760510R2	<B MMK, MMQ, MMR, MPA, MPP>
D934 or	ZENER D	UDZS4.7B	(1)	224550470R2	<B MDC, MDF>
D934 or	ZENER D	UDZS5.1B	(1)	224550510R2	<B MMK, MMQ, MMR, MPA, MPP>
D935	C-DIODE	DA2J10100	1	223303R2	
D935 or	C-DIODE	ISS352	(1)	223234R2	
D935 or	C-DIODE	ISS355	(1)	223269R2	
D935 or	C-DIODE	MA2J111	(1)	223279R2	
D935 or	C-DIODE	KDS4148U	(1)	223283R2	
Q2001	IC	NJW1328	1	22242691R3	
Q2600	IC	NJM2505AF	1	22242490R2	<B MDC, MDF, B MMK, MMQ, MMR, MPA, MPP>
Q2600 or	IC	BH7673G-TR	(1)	22242661R2	<B MDC, MDF, B MMK, MMQ, MMR, MPA, MPP>
Q7002	FL TUBE	16-BT-162GNK	1	212273	
Q7002A	HOLDER	(FL)	1	27191222C	
Q7003	IC	M66005-0001AHP	1	22242208R3	
Q7004	TR	KTC3875-GR	1	2216175R2	
Q7033	TR	KTC3875-GR	1	2216175R2	

Q9020	IC	XC6220B501PR	1	22242692R2	
[TRANS COIL]					
L7031	CHOKE COIL	LBC2518T2R2M	1	231364M022R2	
L7032	CHOKE COIL	LBC2518T2R2M	1	231364M022R2	
L7201	CHOKE COIL	LBC2518T2R2M	1	231364M022R2	
L7202	CHOKE COIL	LBC2518T2R2M	1	231364M022R2	
L7203	CHOKE COIL	LBC2518T2R2M	1	231364M022R2	
L7301	EMIFIL	BK1608LM182-T	1	230958R1	
L7302	EMIFIL	BK1608LM182-T	1	230958R1	
L7402	CHOKE COIL	LBC2518T2R2M	1	231364M022R2	<B MDC, MDF, B MMK, MMQ, MMR, MPA, MPP>
L7501	CORE	BLM18PG121SN1D	1	2350006R1	<B MDC, MDF, B MMK, MMQ, MMR, MPA, MPP>
L7502	CORE	BLM18PG121SN1D	1	2350006R1	<B MDC, MDF, B MMK, MMQ, MMR, MPA, MPP>
L7503	CORE	BLM18PG121SN1D	1	2350006R1	<B MDC, MDF, B MMK, MMQ, MMR, MPA, MPP>
L9020	CORE	BLM18PG181SN1D	1	2350005R1	
T902	P TRANS	NPT-1520Q	1	2301812A	! <B MDC, MDF>
T902	P TRANS	NPT-1520GQ	1	2301813A	! <B MMK, MMQ, MMR, MPA, MPP>
[CAPACITOR]					
C2000	C-CERA C	CK725F1E-104Z1	1	332161040R1	
C2001	C-CERA C	CK725F1E-104Z1	1	332161040R1	
C2002	VR C	CE04W50V-2.2M(VR)	1	394680227T	
C2002 or	JAMICON	CE04W50V-2.2M	(1)	398580227T	
C2004	C-CERA C	CK725F1E-104Z1	1	332161040R1	
C2006	C-CERA C	CK725F1A-105Z1	1	332181050R1	<B MDC, MDF, B MMK, MMQ, MMR, MPA, MPP>
C2007	C-CERA C	CK725F1E-104Z1	1	332161040R1	
C2008	C-CERA C	CK725F1A-105Z1	1	332181050R1	
C2009	C-CERA C	CK725F1A-105Z1	1	332181050R1	
C2010	C-CERA C	CK725F1A-105Z1	1	332181050R1	
C2011	C-CERA C	CK725F1A-105Z1	1	332181050R1	<B MDC, MDF, B MMK, MMQ, MMR, MPA, MPP>
C2012	C-CERA C	CK725F1A-105Z1	1	332181050R1	
C2013	VR C	CE04W50V-10M(VR)	1	394681007T	
C2013 or	JAMICON	CE04W50V-10M	(1)	398581007T	
C2020	C-CERA C	CK725F1A-105Z1	1	332181050R1	
C2021	C-CERA C	CK725F1A-105Z1	1	332181050R1	
C2102	VR C	CE04W6.3V-470M(VR)	1	394624717T	

C2102 or	JAMICON	CE04W6.3V-470M	(1)	398524717T	
C2103	VR C	CE04W50V-2.2M(VR)	1	394680227T	
C2103 or	JAMICON	CE04W50V-2.2M	(1)	398580227T	
C2104	VR C	CE04W50V-2.2M(VR)	1	394680227T	
C2104 or	JAMICON	CE04W50V-2.2M	(1)	398580227T	
C2105	VR C	CE04W6.3V-470M(VR)	1	394624717T	
C2105 or	JAMICON	CE04W6.3V-470M	(1)	398524717T	
C2106	VR C	CE04W50V-2.2M(VR)	1	394680227T	
C2106 or	JAMICON	CE04W50V-2.2M	(1)	398580227T	
C2107	VR C	CE04W50V-2.2M(VR)	1	394680227T	
C2107 or	JAMICON	CE04W50V-2.2M	(1)	398580227T	
C2108	VR C	CE04W6.3V-470M(VR)	1	394624717T	
C2108 or	JAMICON	CE04W6.3V-470M	(1)	398524717T	
C2109	VR C	CE04W6.3V-470M(VR)	1	394624717T	
C2109 or	JAMICON	CE04W6.3V-470M	(1)	398524717T	
C2110	VR C	CE04W6.3V-470M(VR)	1	394624717T	
C2110 or	JAMICON	CE04W6.3V-470M	(1)	398524717T	
C2111	VR C	CE04W50V-2.2M(VR)	1	394680227T	
C2111 or	JAMICON	CE04W50V-2.2M	(1)	398580227T	
C2112	VR C	CE04W50V-2.2M(VR)	1	394680227T	
C2112 or	JAMICON	CE04W50V-2.2M	(1)	398580227T	
C2113	VR C	CE04W50V-2.2M(VR)	1	394680227T	
C2113 or	JAMICON	CE04W50V-2.2M	(1)	398580227T	
C2114	VR C	CE04W50V-2.2M(VR)	1	394680227T	
C2114 or	JAMICON	CE04W50V-2.2M	(1)	398580227T	
C2115	VR C	CE04W50V-2.2M(VR)	1	394680227T	
C2115 or	JAMICON	CE04W50V-2.2M	(1)	398580227T	
C2116	VR C	CE04W50V-2.2M(VR)	1	394680227T	
C2116 or	JAMICON	CE04W50V-2.2M	(1)	398580227T	
C2201	C-CERA C	CK725B1H-102K1	1	332101025R1	
C2202	C-CERA C	CK725B1H-102K1	1	332101025R1	
C2203	C-CERA C	CK725B1H-103K1	1	332101035R1	
C2601	C-CERA C	CK725F1E-104Z1	1	332161040R1	<B MDC, MDF, B MMK, MMQ, MMR, MPA, MPP>
C2602	VR C	CE04W6.3V-470M(VR)	1	394624717T	<B MDC, MDF, B MMK, MMQ, MMR, MPA, MPP>

C2602 or	JAMICON	CE04W6.3V-470M	(1)	398524717T	<B MDC, MDF, B MMK, MMQ, MMR, MPA, MPP>
C2603	C-CERA C	CC725CH1H-470J1	1	342104704R1	<B MDC, MDF, B MMK, MMQ, MMR, MPA, MPP>
C2604	VR C	CE04W6.3V-470M(VR)	1	394624717T	<B MDC, MDF, B MMK, MMQ, MMR, MPA, MPP>
C2604 or	JAMICON	CE04W6.3V-470M	(1)	398524717T	<B MDC, MDF, B MMK, MMQ, MMR, MPA, MPP>
C2605	C-CERA C	CC725CH1H-470J1	1	342104704R1	<B MDC, MDF, B MMK, MMQ, MMR, MPA, MPP>
C7001	C-CERA C	CK725B1H-223K1	1	332102235R1	
C7002	C-CERA C	CK725F1E-104Z1	1	332161040R1	
C7003	C-CERA C	CC725CH1H-101J1	1	342101014R1	
C7004	C-CERA C	CC725CH1H-101J1	1	342101014R1	
C7005	C-CERA C	CC725CH1H-101J1	1	342101014R1	
C7007	C-CERA C	CC725CH1H-101J1	1	342101014R1	
C7008	ELECT C	CE04W6.3V-100M(S)	1	353721019T	
C7009	C-CERA C	CK725F1E-104Z1	1	332161040R1	
C7010	C-CERA C	CK725B1H-223K1	1	332102235R1	
C7011	C-CERA C	CK725B1H-223K1	1	332102235R1	
C7012	C-CERA C	CK725B1H-223K1	1	332102235R1	
C7014	C-CERA C	CK725B1H-223K1	1	332102235R1	
C7015	ELECT C	CE04W16V-47M(S)	1	353744709T	
C7016	C-CERA C	CK725B1H-223K1	1	332102235R1	
C7017	C-CERA C	CK725B1H-223K1	1	332102235R1	
C7021	C-CERA C	CK725B1H-103K1	1	332101035R1	
C7022	C-CERA C	CK725B1H-103K1	1	332101035R1	
C7031	C-CERA C	CK725B1H-223K1	1	332102235R1	
C7032	C-CERA C	CK725B1H-223K1	1	332102235R1	
C7033	ELECT C	CE04W16V-10M(S)	1	353741009T	
C7041	ELECT C	CE04W16V-10M(S)	1	353741009T	
C7042	C-CERA C	CC725CH1H-102J1	1	342101024R1	
C7043	C-CERA C	CC725CH1H-102J1	1	342101024R1	
C7201	C-CERA C	CC725CH1H-102J1	1	342101024R1	
C7202	C-CERA C	CK725B1H-223K1	1	332102235R1	
C7203	MKT C	B32529C0102J289	1	376491024T	
C7204	MKT C	B32529C0102J289	1	376491024T	
C7301	C-CERA C	CC725CH1H-471J1	1	342104714R1	
C7302	C-CERA C	CC725CH1H-471J1	1	342104714R1	

C7304	C-CERA C	CK725F1E-104Z1	1	332161040R1	
C7305	C-CERA C	CK725F1E-104Z1	1	332161040R1	
C7306	C-CERA C	CK725F1E-104Z1	1	332161040R1	
C7319	C-CERA C	CC725CH1H-470J1	1	342104704R1	
C7501	C-CERA C	CK725F1E-104Z1	1	332161040R1	<B MDC, MDF, B MMK, MMQ, MMR, MPA, MPP>
C7503	C-CERA C	CK725F1E-104Z1	1	332161040R1	<B MDC, MDF, B MMK, MMQ, MMR, MPA, MPP>
C901	IS C	LE103-C3.5	1	3800042S	!
C901 or	IS C	ECQU2A103MLC	(1)	3800039S	!
C9011	VR C	CE04W16V-1000M(VR)	1	394641037S	
C9012	TF C	ECQ-V50V-334J	1	374723344T	
C9013	VR C	CE04W50V-4.7M(VR)	1	394680477T	
C9013 or	JAMICON	CE04W50V-4.7M	(1)	398580477T	
C902	C-CERA C	CK725F1E-104Z1	1	332161040R1	
C9020	C-CERA C	CK732B16V-106K	1	332071065R2	
C9021	C-CERA C	CK732B16V-106K	1	332071065R2	
C9022	C-CERA C	CK732B16V-106K	1	332071065R2	
C9023	C-CERA C	CK732B16V-106K	1	332071065R2	
C9026	VR C	CE04W6.3V-470M(VR)	1	394624717T	
C9026 or	JAMICON	CE04W6.3V-470M	(1)	398524717T	
C9027	C-CERA C	CK725F1E-104Z1	1	332161040R1	
C9028	C-CERA C	CK725F1E-104Z1	1	332161040R1	
C9029	C-CERA C	CK725F1E-104Z1	1	332161040R1	
C9030	C-CERA C	CK725F1E-104Z1	1	332161040R1	
C9031	C-CERA C	CK725F1E-104Z1	1	332161040R1	
C911	C-CERA C	CC725CH1H-102J1	1	342101024R1	
C921	C-CERA C	CK725B1H-223K1	1	332102235R1	
C922	VR C	CE04W16V-2200M(VR)	1	394642227S	
C922 or	JAMICON	CE04W16V-2200M	(1)	398542227S	
C930	VR C	CE04W16V-470M(VR)	1	394644717T	
C930 or	JAMICON	CE04W16V-470M	(1)	398544717T	
C933	UTSP C	CE04W50V-4.7M(UTSP)	1	397580477T	
[RESISTOR]					
R2004	C-CARBON R	RN72K1J-563JE	1	435035634R1	
R2005	C-CARBON R	RN72K1J-103JE	1	435031034R1	

R2006	C-CARBON R	RN72K1J-103JE	1	435031034R1	
R2007	C-CARBON R	RN72K1J-563JE	1	435035634R1	
R2008	C-CARBON R	RN72K1J-222JE	1	435032224R1	
R2009	C-CARBON R	RN72K1J-222JE	1	435032224R1	
R2010	C-CARBON R	RN72K1J-183JE	1	435031834R1	
R2011	C-CARBON R	RN72K1J-183JE	1	435031834R1	
R2101	C-CARBON R	RN72K1J-750JE	1	435037504R1	
R2102	C-CARBON R	RN72K1J-750JE	1	435037504R1	
R2103	C-CARBON R	RN72K1J-750JE	1	435037504R1	
R2104	C-CARBON R	RN72K1J-750JE	1	435037504R1	
R2105	C-CARBON R	RN72K1J-750JE	1	435037504R1	
R2106	C-CARBON R	RN72K1J-750JE	1	435037504R1	
R2107	C-CARBON R	RN72K1J-750JE	1	435037504R1	
R2108	C-CARBON R	RN72K1J-750JE	1	435037504R1	
R2109	C-CARBON R	RN72K1J-750JE	1	435037504R1	
R2110	C-CARBON R	RN72K1J-750JE	1	435037504R1	
R2111	C-CARBON R	RN72K1J-750JE	1	435037504R1	
R2112	C-CARBON R	RN72K1J-750JE	1	435037504R1	
R2113	C-CARBON R	RN72K1J-750JE	1	435037504R1	
R2114	C-CARBON R	RN72K1J-750JE	1	435037504R1	
R2115	C-CARBON R	RN72K1J-750JE	1	435037504R1	
R2116	C-CARBON R	RN72K1J-750JE	1	435037504R1	
R2120	C-CARBON R	RN72K1J-104JE	1	435031044R1	
R2121	C-CARBON R	RN72K1J-104JE	1	435031044R1	
R2122	C-CARBON R	RN72K1J-104JE	1	435031044R1	
R2123	C-CARBON R	RN72K1J-104JE	1	435031044R1	
R2124	C-CARBON R	RN72K1J-104JE	1	435031044R1	
R2155	C-CARBON R	RN72K1J-000JE	1	435030004R1	
R2156	C-CARBON R	RN72K1J-000JE	1	435030004R1	
R2157	C-CARBON R	RN72K1J-000JE	1	435030004R1	
R2601	C-CARBON R	RN72K1J-220JE	1	435032204R1	<B MDC, MDF, B MMK, MMQ, MMR, MPA, MPP>
R2602	C-CARBON R	RN72K1J-220JE	1	435032204R1	<B MDC, MDF, B MMK, MMQ, MMR, MPA, MPP>
R2603	C-CARBON R	RN72K1J-047JE	1	435030474R1	<B MDC, MDF, B MMK, MMQ, MMR, MPA, MPP>
R7001	C-CARBON R	RN72K1J-103JE	1	435031034R1	

R7002	C-CARBON R	RN72K1J-332JE	1	435033324R1
R7003	C-CARBON R	RN72K1J-332JE	1	435033324R1
R7004	C-CARBON R	RN72K1J-221JE	1	435032214R1
R7005	C-CARBON R	RN72K1J-221JE	1	435032214R1
R7006	C-CARBON R	RN72K1J-103JE	1	435031034R1
R7007	C-CARBON R	RN72K1J-221JE	1	435032214R1
R7008	C-CARBON R	RN72K1J-221JE	1	435032214R1
R7021	C-CARBON R	RN72K1J-103JE	1	435031034R1
R7022	C-CARBON R	RN72K1J-103JE	1	435031034R1
R7023	C-CARBON R	RN72K1J-103JE	1	435031034R1
R7024	C-CARBON R	RN72K1J-103JE	1	435031034R1
R7033	C-CARBON R	RN72K1J-820JE	1	435038204R1
R7041	C-CARBON R	RN72K1J-101JE	1	435031014R1
R7042	C-CARBON R	RN72K1J-102JE	1	435031024R1
R7101	C-CARBON R	RN72K1J-271JE	1	435032714R1
R7102	C-CARBON R	RN72K1J-331JE	1	435033314R1
R7103	C-CARBON R	RN72K1J-471JE	1	435034714R1
R7106	C-CARBON R	RN72K1J-271JE	1	435032714R1
R7107	C-CARBON R	RN72K1J-331JE	1	435033314R1
R7108	C-CARBON R	RN72K1J-471JE	1	435034714R1
R7109	C-CARBON R	RN72K1J-561JE	1	435035614R1
R7110	C-CARBON R	RN72K1J-821JE	1	435038214R1
R7111	C-CARBON R	RN72K1J-122JE	1	435031224R1
R7112	C-CARBON R	RN72K1J-222JE	1	435032224R1
R7113	C-CARBON R	RN72K1J-392JE	1	435033924R1
R7114	C-CARBON R	RN72K1J-123JE	1	435031234R1
R7115	C-CARBON R	RN72K1J-271JE	1	435032714R1
R7116	C-CARBON R	RN72K1J-331JE	1	435033314R1
R7117	C-CARBON R	RN72K1J-471JE	1	435034714R1
R7118	C-CARBON R	RN72K1J-561JE	1	435035614R1
R7119	C-CARBON R	RN72K1J-821JE	1	435038214R1
R7120	C-CARBON R	RN72K1J-122JE	1	435031224R1
R7121	C-CARBON R	RN72K1J-222JE	1	435032224R1
R7122	C-CARBON R	RN72K1J-392JE	1	435033924R1

R7123	C-CARBON R	RN72K1J-271JE	1	435032714R1	
R7124	C-CARBON R	RN72K1J-331JE	1	435033314R1	
R7125	C-CARBON R	RN72K1J-471JE	1	435034714R1	
R7126	C-CARBON R	RN72K1J-561JE	1	435035614R1	
R7127	C-CARBON R	RN72K1J-821JE	1	435038214R1	
R7128	C-CARBON R	RN72K1J-122JE	1	435031224R1	
R7129	C-CARBON R	RN72K1J-222JE	1	435032224R1	
R7152	C-CARBON R	RN72K1J-222JE	1	435032224R1	
R7301	C-CARBON R	RN72K1J-331JE	1	435033314R1	
R7302	C-CARBON R	RN72K1J-331JE	1	435033314R1	
R7401	C-CARBON R	RN72K1J-101JE	1	435031014R1	<B MDC, MDF, B MMK, MMQ, MMR, MPA, MPP>
R7402	C-CARBON R	RN72K1J-000JE	1	435030004R1	<B MDC, MDF, B MMK, MMQ, MMR, MPA, MPP>
R9014	C-CARBON R	RN72K1J-104JE	1	435031044R1	
R921	METAL O R	RS1/2WBJ-47	1	443524704T	
R922	C-CARBON R	RN72K1J-823JE	1	435038234R1	<B MDC, MDF>
R934	C-CARBON R	RN72K1J-104JE	1	435031044R1	
[SW TRM]					
E7201	TRM-423(SCREW)	NEJITANSI ST3	1	25060495	
E7301A	RETAINER	(GND)	1	27142222A	
E9004	RETAINER	(JOINT)	1	27142069	
E901	TRM-423(SCREW)	NEJITANSI ST3	1	25060495	
E902	TRM-423(SCREW)	NEJITANSI ST3	1	25060495	
F9001	FUSE	5A-UL-125V	1	252385T	!
F901C	FUSE HOL	NSCT-1P2031	1	25052133T	!
F901D	FUSE HOL	NSCT-1P2031	1	25052133T	!
JL605A	WIRE HOL	NSCT-5P896	1	25051109	
JL702A	WIRE HOL	NSCT-7P878	1	25051091	
JL702B	WIRE HOL	NSCT-7P878	1	25051091	
JL801A	WIRE HOL	NSCT-5P876	1	25051089	
JL901A	WIRE HOL	NSCT-5P876	1	25051089	
JL952B	SOCKET	NSCT-3P95	1	25050267	
JL953A	WIRE HOL	NSCT-5P876	1	25051089	
P2201	PIN JACK	NPJ-3PDYYY560	1	25045778	
P2202	PIN JACK	NPJ-3PDYYY560	1	25045778	

P2203	PIN JACK	NPJ-9PDGLRGLRGLR563	1	25045781	
P2800A	SOCKET	NSCT-9P2400	1	25052503	
P3101B	PLUG	NPLG-5P352	1	25055369	<B MDC, MDF, B MMK, MMQ, MMR, MPA, MPP>
P701B	SOCKET	NSCT-23P2441	1	25052544	
P703A	SOCKET	NSCT-7P2425	1	25052528	
P7201	ST JACK	MSJ-064-05A SR	1	25045783	
P7301	PIN JACK	NPJ-3PDB735	1	25045978	
P7501	SOCKET	000010211-00027	1	25053411	<B MDC, MDF, B MMK, MMQ, MMR, MPA, MPP>
P901A	PLUG	NPLG-2P631	1	25055675	!
P901Aor	PLUG	1-1123724-2	(1)	25056402	!
P911	PLUG	NPLG-2P631	1	25055675	!
P911 or	PLUG	1-1123724-2	(1)	25056402	!
RL901	RELAY	NRL-1P5A-DC9-179	1	25065669	!
RL901 or	RELAY	NRL-1P10A-DC9-188	(1)	25065693	!
S7002	R ENCODE	EC12E2425WITH WASHER	1	25065655W	
S7102	PUSH SW	NPS-111-S681	1	25035718T	
S7104	PUSH SW	NPS-111-S681	1	25035718T	
S7106	PUSH SW	NPS-111-S681	1	25035718T	
S7108	PUSH SW	NPS-111-S681	1	25035718T	
S7113	PUSH SW	NPS-111-S681	1	25035718T	
S7115	PUSH SW	NPS-111-S681	1	25035718T	
S7117	PUSH SW	NPS-111-S681	1	25035718T	
S7119	PUSH SW	NPS-111-S681	1	25035718T	
S7121	PUSH SW	NPS-111-S681	1	25035718T	
S7123	PUSH SW	NPS-111-S681	1	25035718T	
S7125	PUSH SW	NPS-111-S681	1	25035718T	
S7127	PUSH SW	NPS-111-S681	1	25035718T	
S7129	PUSH SW	NPS-111-S681	1	25035718T	
S7132	PUSH SW	NPS-111-S681	1	25035718T	
S7134	PUSH SW	NPS-111-S681	1	25035718T	
S7136	PUSH SW	NPS-111-S681	1	25035718T	
S7138	PUSH SW	NPS-111-S681	1	25035718T	
S7140	PUSH SW	NPS-111-S681	1	25035718T	
S7142	PUSH SW	NPS-111-S681	1	25035718T	

S7144	PUSH SW	NPS-111-S681	1	25035718T
S7146	PUSH SW	NPS-111-S681	1	25035718T
S7148	PUSH SW	NPS-111-S681	1	25035718T
S7150	PUSH SW	NPS-111-S681	1	25035718T
S7152	PUSH SW	NPS-111-S681	1	25035718T
S7154	PUSH SW	NPS-111-S681	1	25035718T
S7156	PUSH SW	NPS-111-S681	1	25035718T
S7158	PUSH SW	NPS-111-S681	1	25035718T
S7160	PUSH SW	NPS-111-S681	1	25035718T
S7162	PUSH SW	NPS-111-S681	1	25035718T
S7164	PUSH SW	NPS-111-S681	1	25035718T

[TUNER UNIT]

U7041	REMO SENS	KSM-603TE5B	1	24130019
-------	-----------	-------------	---	----------

U005	U0050 x 2pcs	BAHDM-0678-3A *
U0050	HDMI(MAIN) PC BOARD ASS'Y	BAHDM-0678-3A

CIRCUIT N	PART NAME	DESCRIPTION	Q'TY	PART NO. (SN)	REMARKS
[SEMI CONDUCTOR]					
D110	C-DIODE	DA2J10100	1	223303R2	
D110 or	C-DIODE	ISS352	(1)	223234R2	
D110 or	C-DIODE	ISS355	(1)	223269R2	
D110 or	C-DIODE	MA2J111	(1)	223279R2	
D110 or	C-DIODE	KDS4148U	(1)	223283R2	
D111	C-DIODE	DA2J10100	1	223303R2	
D111 or	C-DIODE	ISS352	(1)	223234R2	
D111 or	C-DIODE	ISS355	(1)	223269R2	
D111 or	C-DIODE	MA2J111	(1)	223279R2	
D111 or	C-DIODE	KDS4148U	(1)	223283R2	
D182	C-DIODE	DA2J10100	1	223303R2	
D182 or	C-DIODE	ISS352	(1)	223234R2	
D182 or	C-DIODE	ISS355	(1)	223269R2	
D182 or	C-DIODE	MA2J111	(1)	223279R2	

D182 or	C-DIODE	KDS4148U	(1)	223283R2
D183	C-DIODE	DA2J10100	1	223303R2
D183 or	C-DIODE	ISS352	(1)	223234R2
D183 or	C-DIODE	ISS355	(1)	223269R2
D183 or	C-DIODE	MA2J111	(1)	223279R2
D183 or	C-DIODE	KDS4148U	(1)	223283R2
D601	C-DIODE	DA2J10100	1	223303R2
D601 or	C-DIODE	ISS352	(1)	223234R2
D601 or	C-DIODE	ISS355	(1)	223269R2
D601 or	C-DIODE	MA2J111	(1)	223279R2
D601 or	C-DIODE	KDS4148U	(1)	223283R2
D602	C-DIODE	DA2J10100	1	223303R2
D602 or	C-DIODE	ISS352	(1)	223234R2
D602 or	C-DIODE	ISS355	(1)	223269R2
D602 or	C-DIODE	MA2J111	(1)	223279R2
D602 or	C-DIODE	KDS4148U	(1)	223283R2
D603	C-DIODE	DA2J10100	1	223303R2
D603 or	C-DIODE	ISS352	(1)	223234R2
D603 or	C-DIODE	ISS355	(1)	223269R2
D603 or	C-DIODE	MA2J111	(1)	223279R2
D603 or	C-DIODE	KDS4148U	(1)	223283R2
D701	C-DIODE	DA2J10100	1	223303R2
D701 or	C-DIODE	ISS352	(1)	223234R2
D701 or	C-DIODE	ISS355	(1)	223269R2
D701 or	C-DIODE	MA2J111	(1)	223279R2
D701 or	C-DIODE	KDS4148U	(1)	223283R2
D702	C-DIODE	DA2J10100	1	223303R2
D702 or	C-DIODE	ISS352	(1)	223234R2
D702 or	C-DIODE	ISS355	(1)	223269R2
D702 or	C-DIODE	MA2J111	(1)	223279R2
D702 or	C-DIODE	KDS4148U	(1)	223283R2
D8100	C-DIODE	DA2J10100	1	223303R2
D8100 or	C-DIODE	ISS352	(1)	223234R2
D8100 or	C-DIODE	ISS355	(1)	223269R2

D8100 or	C-DIODE	MA2J111	(1)	223279R2	
D8100 or	C-DIODE	KDS4148U	(1)	223283R2	
D8145	ESD D	AOZ8804ADI	1	225502R2	
D8146	ESD D	AOZ8804ADI	1	225502R2	
D8931	DIODE	RB050M-30GTR	1	22380373R2	
D8951	DIODE	RB050M-30GTR	1	22380373R2	
D8971	DIODE	RB050M-30GTR	1	22380373R2	
Q153	IC	M95640-WMN6TP	1	22242643R2	
Q153 or	IC	R1EX25064ASA00A	(1)	22242581R2	
Q153 or	IC	BR25S640FJ	(1)	22242761R2	N
Q181	TR	KRC105S	1	2217290R2	
Q181 or	TR	RN1405	(1)	2214500R2	
Q201	IC	D808K013BPPT	1	22242693R3	
Q271	IC	S-1172B12-U5T1G	1	22242777R2	
Q272	IC	BU33TD3WG-TR	1	22242715R2	
Q273	IC	S-1172B50-U5T1G	1	22242765R2	N
Q276	IC	BD82065FVJ	1	22242718R2	<B MDC, MDF, MMK, MMQ, MMR, MPA, MPP>
Q277	IC	BU33TD3WG-TR	1	22242715R2	<B MDC, MDF, MMK, MMQ, MMR, MPA, MPP>
Q278	IC	BU18TD3WG-TR	1	22242716R2	<B MDC, MDF, MMK, MMQ, MMR, MPA, MPP>
Q281	IC	EM638165TS-7G	1	22242607R2	
Q282	IC(DSP)	W25Q16CVSSIG(0538)	1	222W0118R205386	
Q301	IC	PCM9211PTR	1	22242703R2	
Q3105	IC	MF1341S2162	1	22242803R2	<B MDC, MDF, MMK, MMQ, MMR, MPA, MPP>
Q351	IC	PCM1681PWPR	1	22242697R2	
Q601	TR	KRC104S	1	2216210R2	
Q601 or	TR	RN1404	(1)	2214490R2	
Q701	IC(MAIN)	MPD70F3746GJ-GAE-AX(0537)	1	222W0079R305370	
Q702	IC	S-812C33AUA-C2N	1	22242222R2	
Q703	IC	S-812C56AUA-C3K	1	22242207R2	
Q704	IC	SN74CB3Q3305PWR	1	22242258R2	
Q746	IC	BU33TD3WG-TR	1	22242715R2	
Q751	TR	KRC104S	1	2216210R2	
Q751 or	TR	RN1404	(1)	2214490R2	
Q752	TR	KRA102S	1	2216220R2	

Q752 or	TR	RN2402	(1)	2214530R2
Q753	TR	KRA107S	1	2216350R2
Q753 or	TR	RN2407(TE85L_F)	(1)	2216360R2
Q754	TR	KRC102S	1	2216190R2
Q754 or	TR	RN1402	(1)	2214470R2
Q755	TR	KRA107S	1	2216350R2
Q755 or	TR	RN2407(TE85L_F)	(1)	2216360R2
Q756	TR	KRC102S	1	2216190R2
Q756 or	TR	RN1402	(1)	2214470R2
Q8101	IC	ADV7623	1	22242625R3
Q8104	IC	MM3404A50NRE	1	22242701R2
Q8105	IC(HDMI/VIDEO)	W25Q16CVSSIG(05399	1	222W0118R205395
Q8111	TR	KRC101S	1	2216330R2
Q8111 or	TR	RN1401(TE85L_F)	(1)	2214460R2
Q8112	TR	KRC101S	1	2216330R2
Q8112 or	TR	RN1401(TE85L_F)	(1)	2214460R2
Q8113	TR	KRC101S	1	2216330R2
Q8113 or	TR	RN1401(TE85L_F)	(1)	2214460R2
Q8114	TR	KRC101S	1	2216330R2
Q8114 or	TR	RN1401(TE85L_F)	(1)	2214460R2
Q8115	TR	KRC101S	1	2216330R2
Q8115 or	TR	RN1401(TE85L_F)	(1)	2214460R2
Q8116	TR	KRC101S	1	2216330R2
Q8116 or	TR	RN1401(TE85L_F)	(1)	2214460R2
Q8117	TR	KRC101S	1	2216330R2
Q8117 or	TR	RN1401(TE85L_F)	(1)	2214460R2
Q8118	TR	KRC101S	1	2216330R2
Q8118 or	TR	RN1401(TE85L_F)	(1)	2214460R2
Q8156	TR ARRAY	UM6K1N	1	226066R2
Q8156 or	TR ARRAY	UPA672T	(1)	226067R2
Q8156 or	TR ARRAY	RT3K66M-T111-1	(1)	226069R2
Q8931	IC	MP2363DN-LF-Z	1	22242627R2
Q8951	IC	MP2363DN-LF-Z	1	22242627R2
Q8971	IC	MP2363DN-LF-Z	1	22242627R2

Q8972	IC	BU18TD3WG-TR	1	22242716R2	
[TRANS COIL]					
L153	CORE	BLM18PG181SN1D	1	2350005R1	
L201	C-CARBON R	RN72K1J-000JE	1	435030004R1	
L251	CORE	BLM18PG121SN1D	1	2350006R1	<B MDC, MDF, MMK, MMQ, MMR, MPA, MPP>
L252	CORE	BLM18PG121SN1D	1	2350006R1	<B MDC, MDF, MMK, MMQ, MMR, MPA, MPP>
L253	CORE	BLM18PG121SN1D	1	2350006R1	
L254	CORE	BLM18PG181SN1D	1	2350005R1	
L255	CORE	BLM18PG121SN1D	1	2350006R1	
L271	CORE	BLM18PG181SN1D	1	2350005R1	<B MDC, MDF, MMK, MMQ, MMR, MPA, MPP>
L273	CORE	BLM18PG181SN1D	1	2350005R1	<B MDC, MDF, MMK, MMQ, MMR, MPA, MPP>
L281	CORE	BLM18PG181SN1D	1	2350005R1	
L301	EMIFIL	BK1608LM182-T	1	230958R1	
L302	EMIFIL	BK1608LL241-T	1	230959R1	
L303	CHOKE COIL	LBC2518T4R7M	1	231364M047R2	
L304	CHOKE COIL	LBC2518T4R7M	1	231364M047R2	
L305	CHOKE COIL	LBC2518T4R7M	1	231364M047R2	
L351	CHOKE COIL	LBC2518T4R7M	1	231364M047R2	
L352	CHOKE COIL	LBC2518T4R7M	1	231364M047R2	
L500	CORE	BLM18PG181SN1D	1	2350005R1	
L740	CORE	BLM18PG181SN1D	1	2350005R1	
L742	CORE	BLM18PG181SN1D	1	2350005R1	
L743	CORE	BLM18PG181SN1D	1	2350005R1	
L744	CORE	BLM18PG181SN1D	1	2350005R1	
L746	CORE	BLM18PG181SN1D	1	2350005R1	
L8101	EMIFIL	BK1608LM182-T	1	230958R1	
L8911	CORE	BLM18PG181SN1D	1	2350005R1	
L8912	CORE	BLM18PG181SN1D	1	2350005R1	
L8921	CORE	BLM18PG181SN1D	1	2350005R1	
L8922	CORE	BLM18PG181SN1D	1	2350005R1	
L8923	CORE	BLM18PG181SN1D	1	2350005R1	
L8931	CHOKE COIL	CDRH8D43_100	1	231371P100R2	
L8931 or	CHOKE COIL	0182-7E08Q-100M-RA	(1)	231396M100R2	
L8931 or	CHOKE COIL	SWRH8D43C-100MT	(1)	231445M100R2	

L8932	CORE	BLM18PG181SN1D	1	2350005R1
L8933	CORE	BLM18PG181SN1D	1	2350005R1
L8934	CORE	BLM18PG181SN1D	1	2350005R1
L8937	CORE	BLM18PG181SN1D	1	2350005R1
L8938	CORE	BLM18PG181SN1D	1	2350005R1
L8939	CORE	BLM18PG181SN1D	1	2350005R1
L8951	CHOKE COIL	CDRH8D43_100	1	231371P100R2
L8951 or	CHOKE COIL	0182-7E08Q-100M-RA	(1)	231396M100R2
L8951 or	CHOKE COIL	SWRH8D43C-100MT	(1)	231445M100R2
L8952	CORE	BLM18PG181SN1D	1	2350005R1
L8953	CORE	BLM18PG181SN1D	1	2350005R1
L8954	CORE	BLM18PG181SN1D	1	2350005R1
L8971	CHOKE COIL	CDRH8D43_100	1	231371P100R2
L8971 or	CHOKE COIL	0182-7E08Q-100M-RA	(1)	231396M100R2
L8971 or	CHOKE COIL	SWRH8D43C-100MT	(1)	231445M100R2
L8972	CORE	BLM18PG181SN1D	1	2350005R1
L8973	CORE	BLM18PG181SN1D	1	2350005R1
L8974	CORE	BLM18PG181SN1D	1	2350005R1
X201	CRYSTAL	HC-49S 9C24.0000M	1	3010515R2
X301	CRYSTAL	HC-49S 9C24.5760M	1	3010516R2
X501	CERA LOCK	CSTCR5M00G53-B0	1	3010356R2
X8100	CRYSTAL	HC-49S 9C28.6363M	1	3010519R2
[CAPACITOR]				
C151	C-CERA C	CK725B1C-104K0	1	332011045R1
C201	C-CERA C	CK725B1A-105K0	1	332001055R1
C202	C-CERA C	CK725B1A-105K0	1	332001055R1
C203	C-CERA C	CK725B1A-105K0	1	332001055R1
C204	C-CERA C	CK725B1A-105K0	1	332001055R1
C205	C-CERA C	CK725B1A-105K0	1	332001055R1
C206	C-CERA C	CK725B1A-105K0	1	332001055R1
C207	C-CERA C	CK725B1A-105K0	1	332001055R1
C208	C-CERA C	CK725B1A-105K0	1	332001055R1
C209	C-CERA C	CK725B1A-105K0	1	332001055R1
C210	C-CERA C	CK725B1A-105K0	1	332001055R1

C211	C-CERA C	CK725B1A-105K0	1	332001055R1	
C212	C-CERA C	CK725B1A-105K0	1	332001055R1	
C213	C-CERA C	CK725B1A-105K0	1	332001055R1	
C214	C-CERA C	CK725B1A-105K0	1	332001055R1	
C215	C-CERA C	CK725B1A-105K0	1	332001055R1	
C216	C-CERA C	CK725B1A-105K0	1	332001055R1	
C217	C-CERA C	CK725B1A-105K0	1	332001055R1	
C218	C-CERA C	CK725B1A-105K0	1	332001055R1	
C219	C-CERA C	CK725B1A-105K0	1	332001055R1	
C221	C-CERA C	CK725B1A-105K0	1	332001055R1	
C222	C-CERA C	CK725B1A-105K0	1	332001055R1	
C223	C-CERA C	CK725B1A-105K0	1	332001055R1	
C224	C-CERA C	CK725B1A-105K0	1	332001055R1	
C225	C-CERA C	CK725B1A-105K0	1	332001055R1	
C226	C-CERA C	CK725B1A-105K0	1	332001055R1	
C227	C-CERA C	CK725B1A-105K0	1	332001055R1	
C228	C-CERA C	CK725B1A-105K0	1	332001055R1	
C229	C-CERA C	CK725B1A-105K0	1	332001055R1	
C230	C-CERA C	CK725B1A-105K0	1	332001055R1	
C231	C-CERA C	CK725B1A-105K0	1	332001055R1	
C232	C-CERA C	CK725B1A-105K0	1	332001055R1	
C233	C-CERA C	CK725B1A-105K0	1	332001055R1	
C234	C-CERA C	CK725B1A-105K0	1	332001055R1	
C235	C-CERA C	CK725B1A-105K0	1	332001055R1	
C236	C-CERA C	CK725B1A-105K0	1	332001055R1	
C237	C-CERA C	CK725B1A-105K0	1	332001055R1	
C238	C-CERA C	CK725B1A-105K0	1	332001055R1	
C239	C-CERA C	CK725B1A-105K0	1	332001055R1	
C240	C-CERA C	CK725B1A-105K0	1	332001055R1	
C241	C-CERA C	CK725B1A-105K0	1	332001055R1	
C242	C-CERA C	CK725B1A-105K0	1	332001055R1	
C251	C-CERA C	CK732B16V-106K	1	332071065R2	<B MDC, MDF, MMK, MMQ, MMR, MPA, MPP>
C252	C-CERA C	CK732B16V-106K	1	332071065R2	
C253	C-CERA C	CK732B16V-106K	1	332071065R2	

C254	C-CERA C	CK732B16V-106K	1	332071065R2	
C255	C-CERA C	CK732B16V-106K	1	332071065R2	
C256	C-CERA C	CK725B1A-105K0	1	332001055R1	
C261	C-CERA C	CK725B1A-224K0	1	332002245R1	
C262	C-CERA C	CK725B1C-104K0	1	332011045R1	<B MDC, MDF, MMK, MMQ, MMR, MPA, MPP>
C263	C-CERA C	CK725B1C-103K0	1	332011035R1	
C264	C-CERA C	CK725B1A-105K0	1	332001055R1	
C265	C-CERA C	CC725CH1H-180J0	1	342031804R1	
C266	C-CERA C	CC725CH1H-180J0	1	342031804R1	
C267	C-CERA C	CK725B1H-102K0	1	332031025R1	
C268	C-CERA C	CK725B1A-105K0	1	332001055R1	
C269	C-CERA C	CK725B1A-105K0	1	332001055R1	
C270	C-CERA C	CK732B16V-106K	1	332071065R2	
C271	C-CERA C	CK732B16V-106K	1	332071065R2	
C272	C-CERA C	CK732B16V-106K	1	332071065R2	
C273	C-CERA C	CK732B16V-106K	1	332071065R2	
C274	C-CERA C	CK725B1A-105K0	1	332001055R1	<B MDC, MDF, MMK, MMQ, MMR, MPA, MPP>
C275	CHIP ELECT C	CEWX10V-220M	1	398132217R2	<B MDC, MDF, MMK, MMQ, MMR, MPA, MPP>
C276	C-CERA C	CK725B1H-102K0	1	332031025R1	<B MDC, MDF, MMK, MMQ, MMR, MPA, MPP>
C277	CHIP ELECT C	CEWX16V-100M	1	398141017R2	<B MDC, MDF, MMK, MMQ, MMR, MPA, MPP>
C278	C-CERA C	CK725B1A-105K0	1	332001055R1	<B MDC, MDF, MMK, MMQ, MMR, MPA, MPP>
C279	C-CERA C	CK732B16V-106K	1	332071065R2	<B MDC, MDF, MMK, MMQ, MMR, MPA, MPP>
C280	C-CERA C	CK725B1A-105K0	1	332001055R1	<B MDC, MDF, MMK, MMQ, MMR, MPA, MPP>
C281	C-CERA C	CK732B16V-106K	1	332071065R2	<B MDC, MDF, MMK, MMQ, MMR, MPA, MPP>
C282	C-CERA C	CK732B16V-106K	1	332071065R2	
C283	C-CERA C	CK725B1A-105K0	1	332001055R1	
C284	C-CERA C	CK725B1A-105K0	1	332001055R1	
C285	C-CERA C	CK725B1A-105K0	1	332001055R1	
C286	C-CERA C	CK725B1A-105K0	1	332001055R1	
C287	C-CERA C	CK725B1A-105K0	1	332001055R1	
C288	C-CERA C	CK725B1A-105K0	1	332001055R1	
C289	C-CERA C	CK725B1A-105K0	1	332001055R1	
C290	C-CERA C	CK725B1A-105K0	1	332001055R1	
C293	C-CERA C	CK725B1H-102K0	1	332031025R1	

C294	C-CERA C	CK725B1H-102K0	1	332031025R1	
C295	C-CERA C	CK725B1H-102K0	1	332031025R1	
C296	C-CERA C	CK725B1H-102K0	1	332031025R1	
C301	C-CERA C	CC725CH1H-150J0	1	342031504R1	
C302	C-CERA C	CC725CH1H-150J0	1	342031504R1	
C305	C-CERA C	CK725B1C-104K0	1	332011045R1	
C306	CHIP ELECT C	CEWX4V-220M	1	3981G2217R2	
C307	C-CERA C	CK725B1C-104K0	1	332011045R1	
C3117	C-CERA C	CK725B1H-102K0	1	332031025R1	
C3118	C-CERA C	CK725B1A-105K0	1	332001055R1	<B MDC, MDF, MMK, MMQ, MMR, MPA, MPP>
C312	C-CERA C	CC725CH1H-221J0	1	342032214R1	
C313	C-CERA C	CK725B1C-104K0	1	332011045R1	
C314	CHIP ELECT C	CEWX4V-220M	1	3981G2217R2	
C315	C-CERA C	CK725B1H-472K0	1	332034725R1	
C316	C-CERA C	CK725B1C-473K0	1	332014735R1	
C317	C-CERA C	CK725B1C-104K0	1	332011045R1	
C318	CHIP ELECT C	CEWX10V-220M	1	398132217R2	
C319	CHIP ELECT C	CEWX16V-47M	1	398144707R2	
C320	C-CERA C	CK725B1E-223K0	1	332022235R1	
C351	CHIP ELECT C	CEWX4V-220M	1	3981G2217R2	
C352	C-CERA C	CK725B1C-104K0	1	332011045R1	
C353	CHIP ELECT C	CEWX10V-220M	1	398132217R2	
C354	C-CERA C	CK725B1C-104K0	1	332011045R1	
C355	C-CERA C	CK725B1C-104K0	1	332011045R1	
C356	CHIP ELECT C	CEWX16V-47M	1	398144707R2	
C365	CHIP ELECT C	CEWX50V-10M	1	398181007R2	
C366	CHIP ELECT C	CEWX50V-10M	1	398181007R2	
C367	CHIP ELECT C	CEWX50V-10M	1	398181007R2	
C368	CHIP ELECT C	CEWX50V-10M	1	398181007R2	
C369	CHIP ELECT C	CEWX50V-10M	1	398181007R2	
C370	CHIP ELECT C	CEWX50V-10M	1	398181007R2	
C501	C-CERA C	CK732B16V-106K	1	332071065R2	
C502	C-CERA C	CK725B1C-104K0	1	332011045R1	
C503	C-CERA C	CK725B1C-104K0	1	332011045R1	

C504	C-CERA C	CK725B1C-104K0	1	332011045R1
C505	C-CERA C	CK725B1C-104K0	1	332011045R1
C507	C-CERA C	CK725B1C-104K0	1	332011045R1
C508	C-CERA C	CK725B1C-104K0	1	332011045R1
C509	C-CERA C	CK732B16V-106K	1	332071065R2
C511	C-CERA C	CK725B1H-102K0	1	332031025R1
C512	C-CERA C	CK725B1H-102K0	1	332031025R1
C514	C-CERA C	CK725B1C-104K0	1	332011045R1
C515	C-CERA C	CK725B1C-104K0	1	332011045R1
C516	C-CERA C	CK725B1C-104K0	1	332011045R1
C517	C-CERA C	CK725B1C-104K0	1	332011045R1
C518	C-CERA C	CK725B1H-102K0	1	332031025R1
C519	C-CERA C	CK725B1H-102K0	1	332031025R1
C520	C-CERA C	CK725B1H-102K0	1	332031025R1
C522	C-CERA C	CK725B1C-104K0	1	332011045R1
C523	C-CERA C	CK725B1H-102K0	1	332031025R1
C524	C-CERA C	CK725B1H-102K0	1	332031025R1
C525	C-CERA C	CK725B1C-104K0	1	332011045R1
C526	C-CERA C	CK725B1H-102K0	1	332031025R1
C527	C-CERA C	CK725B1H-102K0	1	332031025R1
C528	C-CERA C	CK725B1C-104K0	1	332011045R1
C613	C-CERA C	CK732B1C-474K	1	337394745R1
C701	C-CERA C	CK732B16V-106K	1	332071065R2
C702	C-CERA C	CK732B16V-106K	1	332071065R2
C703	C-CERA C	CK732B16V-106K	1	332071065R2
C705	C-CERA C	CK732B16V-106K	1	332071065R2
C706	C-CERA C	CK725B1E-106K	1	332221065R2
C707	C-CERA C	CK732B16V-106K	1	332071065R2
C708	C-CERA C	CK732B16V-106K	1	332071065R2
C709	C-CERA C	CK725B1E-106K	1	332221065R2
C710	C-CERA C	CK725B1C-104K0	1	332011045R1
C745	C-CERA C	CK732B16V-106K	1	332071065R2
C751	C-CERA C	CK725B1A-105K0	1	332001055R1
C753	CHIP ELECT C	CEWT6.3V-470M	1	395724717R2

C8100	C-CERA C	CK725B1H-102K0	1	332031025R1
C8103	C-CERA C	CK725B1C-104K0	1	332011045R1
C8104	C-CERA C	CK725B1H-102K0	1	332031025R1
C8105	C-CERA C	CK725B1C-104K0	1	332011045R1
C8106	C-CERA C	CK725B1H-102K0	1	332031025R1
C8107	C-CERA C	CK725B1C-104K0	1	332011045R1
C8108	C-CERA C	CK725B1H-102K0	1	332031025R1
C8109	C-CERA C	CK725B1C-104K0	1	332011045R1
C8110	C-CERA C	CK725B1H-102K0	1	332031025R1
C8111	C-CERA C	CK725B1C-104K0	1	332011045R1
C8112	C-CERA C	CK725B1H-102K0	1	332031025R1
C8113	C-CERA C	CK725B1C-104K0	1	332011045R1
C8114	C-CERA C	CK725B1H-102K0	1	332031025R1
C8115	C-CERA C	CK725B1C-104K0	1	332011045R1
C8116	C-CERA C	CK725B1H-102K0	1	332031025R1
C8117	C-CERA C	CK725B1H-102K0	1	332031025R1
C8118	C-CERA C	CK725B1H-102K0	1	332031025R1
C8119	C-CERA C	CK725B1C-104K0	1	332011045R1
C8120	C-CERA C	CK725B1H-102K0	1	332031025R1
C8121	C-CERA C	CK725B1C-104K0	1	332011045R1
C8122	C-CERA C	CK725B1C-104K0	1	332011045R1
C8123	C-CERA C	CC725CH1H-150J0	1	342031504R1
C8124	C-CERA C	CK725B1H-102K0	1	332031025R1
C8125	C-CERA C	CK725B1H-102K0	1	332031025R1
C8126	C-CERA C	CK725B1C-104K0	1	332011045R1
C8127	C-CERA C	CC725CH1H-150J0	1	342031504R1
C8128	C-CERA C	CK725B1H-102K0	1	332031025R1
C8129	C-CERA C	CK725B1C-104K0	1	332011045R1
C8130	C-CERA C	CK725B1H-102K0	1	332031025R1
C8131	C-CERA C	CK725B1H-102K0	1	332031025R1
C8132	C-CERA C	CK725B1H-102K0	1	332031025R1
C8133	C-CERA C	CK725B1C-104K0	1	332011045R1
C8134	C-CERA C	CK725B1H-102K0	1	332031025R1
C8135	C-CERA C	CK725B1C-104K0	1	332011045R1

C8136	C-CERA C	CK725B1H-102K0	1	332031025R1
C8137	C-CERA C	CK725B1C-104K0	1	332011045R1
C8138	C-CERA C	CK725B1H-102K0	1	332031025R1
C8139	C-CERA C	CK725B1H-102K0	1	332031025R1
C8140	C-CERA C	CK725B1C-104K0	1	332011045R1
C8141	C-CERA C	CK725B1H-102K0	1	332031025R1
C8142	C-CERA C	CK725B1C-104K0	1	332011045R1
C8143	C-CERA C	CK725B1H-102K0	1	332031025R1
C8144	C-CERA C	CK725B1H-102K0	1	332031025R1
C8145	C-CERA C	CK725B1H-102K0	1	332031025R1
C8146	C-CERA C	CK725B1C-104K0	1	332011045R1
C8147	C-CERA C	CK725B1H-102K0	1	332031025R1
C8148	C-CERA C	CK725B1C-104K0	1	332011045R1
C8149	C-CERA C	CK725B1H-102K0	1	332031025R1
C8151	C-CERA C	CK725B1C-104K0	1	332011045R1
C8152	C-CERA C	CK725B1H-102K0	1	332031025R1
C8153	C-CERA C	CK725B1C-104K0	1	332011045R1
C8154	C-CERA C	CK725B1H-102K0	1	332031025R1
C8155	C-CERA C	CK725B1C-104K0	1	332011045R1
C8156	C-CERA C	CK725B1H-102K0	1	332031025R1
C8158	C-CERA C	CK725B1C-104K0	1	332011045R1
C8159	C-CERA C	CK725B1H-102K0	1	332031025R1
C8160	C-CERA C	CK725B1C-104K0	1	332011045R1
C8161	C-CERA C	CK725B1H-102K0	1	332031025R1
C8162	C-CERA C	CK725B1C-104K0	1	332011045R1
C8163	C-CERA C	CK725B1H-102K0	1	332031025R1
C8164	C-CERA C	CK725B1C-104K0	1	332011045R1
C8165	C-CERA C	CK725B1H-102K0	1	332031025R1
C8166	C-CERA C	CK725B1H-102K0	1	332031025R1
C8168	C-CERA C	CK725B1H-102K0	1	332031025R1
C8170	C-CERA C	CK725B1C-104K0	1	332011045R1
C8175	C-CERA C	CK725B1H-102K0	1	332031025R1
C8176	C-CERA C	CK725B1A-105K0	1	332001055R1
C8177	C-CERA C	CK725B1A-105K0	1	332001055R1

C8911	C-CERA C	CK732B16V-106K	1	332071065R2
C8921	C-CERA C	CK732B16V-106K	1	332071065R2
C8922	C-CERA C	CK732B16V-106K	1	332071065R2
C8926	C-CERA C	CK725B1A-105K0	1	332001055R1
C8931	C-CERA C	CK725B1E-106K	1	332221065R2
C8932	C-CERA C	CK725B1E-106K	1	332221065R2
C8933	C-CERA C	CK732B16V-106K	1	332071065R2
C8934	C-CERA C	CK732B16V-106K	1	332071065R2
C8935	C-CERA C	CK732B16V-106K	1	332071065R2
C8936	CHIP ELECT C	CEWX16V-100M	1	398141017R2
C8937	C-CERA C	CK725B1C-104K0	1	332011045R1
C8938	C-CERA C	CK725B1E-223K0	1	332022235R1
C8939	C-CERA C	CK725B1C-104K0	1	332011045R1
C8940	C-CERA C	CK725B1E-103K0	1	332021035R1
C8943	C-CERA C	CC725CH1H-151J0	1	342031514R1
C8950	CHIP ELECT C	CEWX16V-100M	1	398141017R2
C8951	C-CERA C	CK725B1E-106K	1	332221065R2
C8952	C-CERA C	CK725B1E-106K	1	332221065R2
C8953	C-CERA C	CK732B16V-106K	1	332071065R2
C8954	C-CERA C	CK732B16V-106K	1	332071065R2
C8955	C-CERA C	CK732B16V-106K	1	332071065R2
C8956	CHIP ELECT C	CEWX16V-100M	1	398141017R2
C8957	C-CERA C	CK725B1C-104K0	1	332011045R1
C8958	C-CERA C	CK725B1E-223K0	1	332022235R1
C8959	C-CERA C	CK725B1C-104K0	1	332011045R1
C8960	C-CERA C	CK725B1E-103K0	1	332021035R1
C8963	C-CERA C	CC725CH1H-151J0	1	342031514R1
C8971	C-CERA C	CK725B1E-106K	1	332221065R2
C8972	C-CERA C	CK725B1E-106K	1	332221065R2
C8973	C-CERA C	CK732B16V-106K	1	332071065R2
C8974	C-CERA C	CK732B16V-106K	1	332071065R2
C8975	C-CERA C	CK732B16V-106K	1	332071065R2
C8976	CHIP ELECT C	CEWX16V-100M	1	398141017R2
C8977	C-CERA C	CK725B1C-104K0	1	332011045R1

C8978	C-CERA C	CK725B1E-223K0	1	332022235R1
C8979	C-CERA C	CK725B1C-104K0	1	332011045R1
C8980	C-CERA C	CK725B1E-682K0	1	332026825R1
C8983	C-CERA C	CK725B1A-105K0	1	332001055R1
C8984	C-CERA C	CK725B1A-105K0	1	332001055R1
C8985	C-CERA C	CK725B1A-105K0	1	332001055R1
C8986	C-CERA C	CK725B1A-105K0	1	332001055R1
C8987	C-CERA C	CK725B1A-105K0	1	332001055R1
C8988	C-CERA C	CK725B1A-105K0	1	332001055R1
[RESISTOR]				
R110	C-CARBON R	RN72K1J-103JE	1	435031034R1
R151	C-CARBON R	RN72K1J-103JE	1	435031034R1
R152	C-CARBON R	RN72K1J-103JE	1	435031034R1
R154	C-CARBON R	RN72K1J-103JE	1	435031034R1
R201	C-CARBON R	RN72K1J-103JE	1	435031034R1
R202	C-CARBON R	RN72K1J-103JE	1	435031034R1
R203	C-CARBON R	RN72K1J-103JE	1	435031034R1
R204	C-CARBON R	RN72K1J-472JE	1	435034724R1
R205	C-CARBON R	RN72K1J-221JE	1	435032214R1
R206	C-CARBON R	RN72K1J-470JE	1	435034704R1
R207	C-CARBON R	RN72K1J-470JE	1	435034704R1
R208	C-CARBON R	RN72K1J-470JE	1	435034704R1
R209	C-CARBON R	RN72K1J-470JE	1	435034704R1
R210	C-CARBON R	RN72K1J-470JE	1	435034704R1
R211	C-CARBON R	RN72K1J-470JE	1	435034704R1
R212	C-CARBON R	RN72K1J-103JE	1	435031034R1
R213	C-CARBON R	RN72K1J-103JE	1	435031034R1
R214	C-CARBON R	RN72K1J-331JE	1	435033314R1
R215	C-CARBON R	RN72K1J-103JE	1	435031034R1
R216	C-CARBON R	RN72K1J-470JE	1	435034704R1
R220	C-R NET	RM7LJ330X04	1	43484733004R2
R220 or	C-R NET	YCN104-330-JK	(1)	43464C33004R1
R221	C-R NET	RM7LJ330X04	1	43484733004R2
R221 or	C-R NET	YCN104-330-JK	(1)	43464C33004R1

R222	C-R NET	RM7LJ330X04	1	43484733004R2
R222 or	C-R NET	YCN104-330-JK	(1)	43464C33004R1
R223	C-R NET	RM7LJ330X04	1	43484733004R2
R223 or	C-R NET	YCN104-330-JK	(1)	43464C33004R1
R224	C-R NET	RM7LJ330X04	1	43484733004R2
R224 or	C-R NET	YCN104-330-JK	(1)	43464C33004R1
R225	C-R NET	RM7LJ330X04	1	43484733004R2
R225 or	C-R NET	YCN104-330-JK	(1)	43464C33004R1
R226	C-R NET	RM7LJ330X04	1	43484733004R2
R226 or	C-R NET	YCN104-330-JK	(1)	43464C33004R1
R227	C-R NET	RM7LJ330X04	1	43484733004R2
R227 or	C-R NET	YCN104-330-JK	(1)	43464C33004R1
R228	C-R NET	RM7LJ330X04	1	43484733004R2
R228 or	C-R NET	YCN104-330-JK	(1)	43464C33004R1
R229	C-R NET	RM7LJ330X04	1	43484733004R2
R229 or	C-R NET	YCN104-330-JK	(1)	43464C33004R1
R230	C-CARBON R	RN72K1J-330JE	1	435033304R1
R231	C-CARBON R	RN72K1J-103JE	1	435031034R1
R232	C-CARBON R	RN72K1J-103JE	1	435031034R1
R234	C-CARBON R	RN72K1J-470JE	1	435034704R1
R235	C-CARBON R	RN72K1J-470JE	1	435034704R1
R236	C-CARBON R	RN72K1J-470JE	1	435034704R1
R237	C-CARBON R	RN72K1J-470JE	1	435034704R1
R238	C-CARBON R	RN72K1J-331JE	1	435033314R1
R239	C-CARBON R	RN72K1J-331JE	1	435033314R1
R240	C-CARBON R	RN72K1J-331JE	1	435033314R1
R241	C-CARBON R	RN72K1J-331JE	1	435033314R1
R242	C-CARBON R	RN72K1J-470JE	1	435034704R1
R243	C-CARBON R	RN72K1J-331JE	1	435033314R1
R244	C-CARBON R	RN72K1J-221JE	1	435032214R1
R245	C-CARBON R	RN72K1J-470JE	1	435034704R1
R246	C-CARBON R	RN72K1J-470JE	1	435034704R1
R247	C-CARBON R	RN72K1J-103JE	1	435031034R1
R248	C-CARBON R	RN72K1J-331JE	1	435033314R1

R249	C-CARBON R	RN72K1J-331JE	1	435033314R1	
R252	C-CARBON R	RN72K1J-221JE	1	435032214R1	
R253	C-CARBON R	RN72K1J-221JE	1	435032214R1	
R254	C-CARBON R	RN72K1J-103JE	1	435031034R1	
R255	C-CARBON R	RN72K1J-221JE	1	435032214R1	
R256	C-CARBON R	RN72K1J-470JE	1	435034704R1	
R257	C-CARBON R	RN72K1J-470JE	1	435034704R1	
R262	C-CARBON R	RN72K1J-103JE	1	435031034R1	
R263	C-CARBON R	RN72K1J-103JE	1	435031034R1	
R264	C-CARBON R	RN72K1J-103JE	1	435031034R1	
R265	C-CARBON R	RN72K1J-221JE	1	435032214R1	
R271	C-CARBON R	RN72K1J-000JE	1	435030004R1	<B MDC, MDF, MMK, MMQ, MMR, MPA, MPP>
R272	C-CARBON R	RN72K1J-000JE	1	435030004R1	<B MDC, MDF, MMK, MMQ, MMR, MPA, MPP>
R273	C-CARBON R	RN72K1J-000JE	1	435030004R1	<B MDC, MDF, MMK, MMQ, MMR, MPA, MPP>
R276	C-CARBON R	RN72K1J-473JE	1	435034734R1	<B MDC, MDF, MMK, MMQ, MMR, MPA, MPP>
R277	C-CARBON R	RN72K1J-222JE	1	435032224R1	
R281	C-CARBON R	RN72K1J-103JE	1	435031034R1	
R282	C-CARBON R	RN72K1J-103JE	1	435031034R1	
R284	C-CARBON R	RN72K1J-103JE	1	435031034R1	
R301	C-CARBON R	RN72K1J-470JE	1	435034704R1	
R304	C-CARBON R	RN72K1J-221JE	1	435032214R1	
R305	C-CARBON R	RN72K1J-221JE	1	435032214R1	
R306	C-CARBON R	RN72K1J-330JE	1	435033304R1	
R307	C-CARBON R	RN72K1J-331JE	1	435033314R1	
R308	C-CARBON R	RN72K1J-331JE	1	435033314R1	
R312	C-CARBON R	RN72K1J-470JE	1	435034704R1	
R313	C-CARBON R	RN72K1J-470JE	1	435034704R1	
R314	C-CARBON R	RN72K1J-151JE	1	435031514R1	
R315	C-CARBON R	RN72K1J-470JE	1	435034704R1	
R316	C-CARBON R	RN72K1J-470JE	1	435034704R1	
R317	C-CARBON R	RN72K1J-331JE	1	435033314R1	
R321	C-CARBON R	RN72K1J-331JE	1	435033314R1	
R322	C-CARBON R	RN72K1J-331JE	1	435033314R1	
R324	C-CARBON R	RN72K1J-331JE	1	435033314R1	

R325	C-CARBON R	RN72K1J-331JE	1	435033314R1
R326	C-CARBON R	RN72K1J-331JE	1	435033314R1
R327	C-CARBON R	RN72K1J-221JE	1	435032214R1
R331	C-CARBON R	RN72K1J-221JE	1	435032214R1
R332	C-CARBON R	RN72K1J-681JE	1	435036814R1
R333	C-CARBON R	RN72K1J-221JE	1	435032214R1
R351	C-CARBON R	RN72K1J-331JE	1	435033314R1
R352	C-CARBON R	RN72K1J-331JE	1	435033314R1
R354	C-CARBON R	RN72K1J-470JE	1	435034704R1
R355	C-CARBON R	RN72K1J-220JE	1	435032204R1
R356	C-CARBON R	RN72K1J-220JE	1	435032204R1
R357	C-CARBON R	RN72K1J-220JE	1	435032204R1
R359	C-CARBON R	RN72K1J-220JE	1	435032204R1
R360	C-CARBON R	RN72K1J-220JE	1	435032204R1
R361	C-CARBON R	RN72K1J-331JE	1	435033314R1
R362	C-CARBON R	RN72K1J-000JE	1	435030004R1
R364	C-CARBON R	RN72K1J-220JE	1	435032204R1
R365	C-CARBON R	RN72K1J-104JE	1	435031044R1
R366	C-CARBON R	RN72K1J-104JE	1	435031044R1
R367	C-CARBON R	RN72K1J-104JE	1	435031044R1
R368	C-CARBON R	RN72K1J-104JE	1	435031044R1
R369	C-CARBON R	RN72K1J-104JE	1	435031044R1
R370	C-CARBON R	RN72K1J-104JE	1	435031044R1
R501	C-CARBON R	RN72K1J-473JE	1	435034734R1
R503	C-CARBON R	RN72K1J-103JE	1	435031034R1
R504	C-CARBON R	RN72K1J-000JE	1	435030004R1
R505	C-CARBON R	RN72K1J-103JE	1	435031034R1
R508	C-CARBON R	RN72K1J-105JE	1	435031054R1
R509	C-CARBON R	RN72K1J-221JE	1	435032214R1
R510	C-CARBON R	RN72K1J-470JE	1	435034704R1
R511	C-CARBON R	RN72K1J-103JE	1	435031034R1
R512	C-CARBON R	RN72K1J-221JE	1	435032214R1
R514	C-CARBON R	RN72K1J-221JE	1	435032214R1
R515	C-R NET	RM7LJ470X04	1	43484747004R2

R515 or	C-R NET	YCN104-470-JK	(1)	43464C47004R1
R520	C-CARBON R	RN72K1J-103JE	1	435031034R1
R521	C-R NET	RM7LJ470X04	1	43484747004R2
R521 or	C-R NET	YCN104-470-JK	(1)	43464C47004R1
R532	C-CARBON R	RN72K1J-472JE	1	435034724R1
R533	C-CARBON R	RN72K1J-472JE	1	435034724R1
R534	C-R NET	RM7LJ103X04	1	43484710304R2
R534 or	C-R NET	YCN104-103-JK	(1)	43464C10304R1
R538	C-CARBON R	RN72K1J-103JE	1	435031034R1
R539	C-R NET	RM7LJ470X04	1	43484747004R2
R539 or	C-R NET	YCN104-470-JK	(1)	43464C47004R1
R543	C-CARBON R	RN72K1J-103JE	1	435031034R1
R544	C-R NET	RM7LJ221X04	1	43484722104R2
R544 or	C-R NET	YCN104-221-JK	(1)	43464C22104R1
R550	C-R NET	RM7LJ470X04	1	43484747004R2
R550 or	C-R NET	YCN104-470-JK	(1)	43464C47004R1
R551	C-CARBON R	RN72K1J-103JE	1	435031034R1
R552	C-CARBON R	RN72K1J-103JE	1	435031034R1
R554	C-CARBON R	RN72K1J-103JE	1	435031034R1
R560	C-CARBON R	RN72K1J-103JE	1	435031034R1
R562	C-CARBON R	RN72K1J-221JE	1	435032214R1
R565	C-R NET	RM7LJ470X04	1	43484747004R2
R565 or	C-R NET	YCN104-470-JK	(1)	43464C47004R1
R566	C-CARBON R	RN72K1J-103JE	1	435031034R1
R568	C-CARBON R	RN72K1J-103JE	1	435031034R1
R570	C-CARBON R	RN72K1J-103JE	1	435031034R1
R572	C-CARBON R	RN72K1J-103JE	1	435031034R1
R573	C-CARBON R	RN72K1J-221JE	1	435032214R1
R574	C-R NET	RM7LJ470X04	1	43484747004R2
R574 or	C-R NET	YCN104-470-JK	(1)	43464C47004R1
R577	C-CARBON R	RN72K1J-103JE	1	435031034R1
R579	C-CARBON R	RN72K1J-470JE	1	435034704R1
R580	C-R NET	RM7LJ103X04	1	43484710304R2
R580 or	C-R NET	YCN104-103-JK	(1)	43464C10304R1

R582	C-R NET	RM7LJ221X04	1	43484722104R2
R582 or	C-R NET	YCN104-221-JK	(1)	43464C22104R1
R590	C-CARBON R	RN72K1J-103JE	1	435031034R1
R595	C-R NET	RM7LJ221X04	1	43484722104R2
R595 or	C-R NET	YCN104-221-JK	(1)	43464C22104R1
R596	C-CARBON R	RN72K1J-103JE	1	435031034R1
R599	C-R NET	RM7LJ103X04	1	43484710304R2
R599 or	C-R NET	YCN104-103-JK	(1)	43464C10304R1
R601	C-R NET	RM7LJ470X04	1	43484747004R2
R601 or	C-R NET	YCN104-470-JK	(1)	43464C47004R1
R605	C-CARBON R	RN72K1J-221JE	1	435032214R1
R606	C-CARBON R	RN72K1J-470JE	1	435034704R1
R607	C-CARBON R	RN72K1J-221JE	1	435032214R1
R609	C-CARBON R	RN72K1J-102JE	1	435031024R1
R610	C-CARBON R	RN72K1J-221JE	1	435032214R1
R611	C-CARBON R	RN72K1J-102JE	1	435031024R1
R613	C-CARBON R	RN72K1J-102JE	1	435031024R1
R614	C-CARBON R	RN72K1J-103JE	1	435031034R1
R617	C-CARBON R	RN72K1J-221JE	1	435032214R1
R618	C-CARBON R	RN72K1J-103JE	1	435031034R1
R619	C-CARBON R	RN72K1J-470JE	1	435034704R1
R620	C-CARBON R	RN72K1J-103JE	1	435031034R1
R621	C-CARBON R	RN72K1J-221JE	1	435032214R1
R622	C-CARBON R	RN72K1J-470JE	1	435034704R1
R623	C-CARBON R	RN72K1J-103JE	1	435031034R1
R624	C-CARBON R	RN72K1J-221JE	1	435032214R1
R625	C-CARBON R	RN72K1J-470JE	1	435034704R1
R627	C-CARBON R	RN72K1J-103JE	1	435031034R1
R631	C-CARBON R	RN72K1J-470JE	1	435034704R1
R633	C-CARBON R	RN72K1J-103JE	1	435031034R1
R635	C-CARBON R	RN72K1J-103JE	1	435031034R1
R638	C-CARBON R	RN72K1J-470JE	1	435034704R1
R639	C-CARBON R	RN72K1J-103JE	1	435031034R1
R640	C-CARBON R	RN72K1J-470JE	1	435034704R1

R642	C-CARBON R	RN72K1J-221JE	1	435032214R1
R644	C-CARBON R	RN72K1J-221JE	1	435032214R1
R646	C-CARBON R	RN72K1J-221JE	1	435032214R1
R650	C-CARBON R	RN72K1J-221JE	1	435032214R1
R651	C-CARBON R	RN72K1J-103JE	1	435031034R1
R652	C-CARBON R	RN72K1J-102JE	1	435031024R1
R653	C-CARBON R	RN72K1J-105JE	1	435031054R1
R655	C-CARBON R	RN72K1J-223JE	1	435032234R1
R656	C-CARBON R	RN72K1J-223JE	1	435032234R1
R657	C-CARBON R	RN72K1J-224JE	1	435032244R1
R658	C-CARBON R	RN72K1J-221JE	1	435032214R1
R659	C-CARBON R	RN72K1J-273JE	1	435032734R1
R660	C-CARBON R	RN72K1J-221JE	1	435032214R1
R661	C-CARBON R	RN72K1J-221JE	1	435032214R1
R662	C-CARBON R	RN72K1J-000JE	1	435030004R1
R664	C-CARBON R	RN72K1J-000JE	1	435030004R1
R666	C-CARBON R	RN72K1J-000JE	1	435030004R1
R668	C-CARBON R	RN72K1J-103JE	1	435031034R1
R669	C-CARBON R	RN72K1J-333JE	1	435033334R1
R670	C-CARBON R	RN72K1J-472JE	1	435034724R1
R671	C-CARBON R	RN72K1J-272JE	1	435032724R1
R672	C-CARBON R	RN72K1J-472JE	1	435034724R1
R673	C-CARBON R	RN72K1J-272JE	1	435032724R1
R674	C-CARBON R	RN72K1J-472JE	1	435034724R1
R675	C-CARBON R	RN72K1J-272JE	1	435032724R1
R676	C-CARBON R	RN72K1J-472JE	1	435034724R1
R677	C-CARBON R	RN72K1J-272JE	1	435032724R1
R678	C-CARBON R	RN72K1J-224JE	1	435032244R1
R681	C-CARBON R	RN72K1J-103JE	1	435031034R1
R682	C-CARBON R	RN72K1J-103JE	1	435031034R1
R687	C-CARBON R	RN72K1J-103JE	1	435031034R1
R688	C-R NET	RM7LJ103X04	1	43484710304R2
R688 or	C-R NET	YCN104-103-JK	(1)	43464C10304R1
R690	C-R NET	RM7LJ470X04	1	43484747004R2

R690 or	C-R NET	YCN104-470-JK	(1)	43464C47004R1
R692	C-R NET	RM7LJ472X04	1	43484747204R2
R692 or	C-R NET	YCN104-472-JK	(1)	43464C47204R1
R693	C-R NET	RM7LJ470X04	1	43484747004R2
R693 or	C-R NET	YCN104-470-JK	(1)	43464C47004R1
R701	C-CARBON R	RN72K1J-000JE	1	435030004R1
R712	C-CARBON R	RN72K1J-102JE	1	435031024R1
R713	C-CARBON R	RN72K1J-222JE	1	435032224R1
R714	C-CARBON R	RN72K1J-103JE	1	435031034R1
R715	C-CARBON R	RN72K1J-103JE	1	435031034R1
R716	C-CARBON R	RN72K1J-470JE	1	435034704R1
R723	C-CARBON R	RN72K1J-101JE	1	435031014R1
R724	C-CARBON R	RN72K1J-101JE	1	435031014R1
R725	C-CARBON R	RN72K1J-221JE	1	435032214R1
R726	C-CARBON R	RN72K1J-273JE	1	435032734R1
R727	C-CARBON R	RN72K1J-103JE	1	435031034R1
R803	C-CARBON R	RN72K1J-000JE	1	435030004R1
R8100	C-CARBON R	RN72K1J-102JE	1	435031024R1
R8101	C-CARBON R	RN72K1J-000JE	1	435030004R1
R8102	C-CARBON R	RN72K1J-473JE	1	435034734R1
R8118	C-CARBON R	RN72K1J-102JE	1	435031024R1
R8119	C-CARBON R	RN72K1J-102JE	1	435031024R1
R8120	C-CARBON R	RN72K1J-000JE	1	435030004R1
R8121	C-CARBON R	RN72K1J-102JE	1	435031024R1
R8122	C-CARBON R	RN72K1J-473JE	1	435034734R1
R8125	C-CARBON R	RN72K1J-101JE	1	435031014R1
R8126	C-CARBON R	RN72K1J-101JE	1	435031014R1
R8127	C-CARBON R	RN72K1J-330JE	1	435033304R1
R8128	C-CARBON R	RN72K1J-331JE	1	435033314R1
R8129	C-CARBON R	RN72K1J-330JE	1	435033304R1
R8131	C-R NET	RM7LJ330X04	1	43484733004R2
R8131 or	C-R NET	YCN104-330-JK	(1)	43464C33004R1
R8132	C-R NET	RM7LJ101X04	1	43484710104R2
R8132 or	C-R NET	YCN104-101-JK	(1)	43464C10104R1

R8136	C-CARBON R	RN72K1J-102JE	1	435031024R1
R8138	C-CARBON R	RN72K1J-000JE	1	435030004R1
R8140	C-CARBON R	RN72K1J-473JE	1	435034734R1
R8142	C-CARBON R	RN72K1J-220JE	1	435032204R1
R8148	C-CARBON R	RN72K1J-473JE	1	435034734R1
R8150	C-R NET	RM7LJ470X04	1	43484747004R2
R8150 or	C-R NET	YCN104-470-JK	(1)	43464C47004R1
R8154	C-R NET	RM7LJ220X04	1	43484722004R2
R8154 or	C-R NET	YCN104-220-JK	(1)	43464C22004R1
R8158	C-CARBON R	RN72K1J-473JE	1	435034734R1
R8159	C-CARBON R	RN72K1J-182JE	1	435031824R1
R8160	C-CARBON R	RN72K1J-182JE	1	435031824R1
R8161	C-CARBON R	RN72K1J-821FE	1	435038212R1
R8162	C-CARBON R	RN72K1J-680JE	1	435036804R1
R8166	C-CARBON R	RN72K1J-102JE	1	435031024R1
R8167	C-CARBON R	RN72K1J-000JE	1	435030004R1
R8169	C-CARBON R	RN72K1J-473JE	1	435034734R1
R8172	C-CARBON R	RN72K1J-103JE	1	435031034R1
R8177	C-CARBON R	RN72K1J-101JE	1	435031014R1
R8178	C-CARBON R	RN72K1J-101JE	1	435031014R1
R8179	C-CARBON R	RN72K1J-101JE	1	435031014R1
R8180	C-CARBON R	RN72K1J-101JE	1	435031014R1
R8181	C-CARBON R	RN72K1J-100JE	1	435031004R1
R8182	C-CARBON R	RN72K1J-100JE	1	435031004R1
R8191	C-CARBON R	RN72K1J-103JE	1	435031034R1
R8192	C-CARBON R	RN72K1J-103JE	1	435031034R1
R8193	C-CARBON R	RN72K1J-103JE	1	435031034R1
R8194	C-CARBON R	RN72K1J-103JE	1	435031034R1
R8933	C-CARBON R	RN72K1J-563FE	1	435035632R1
R8934	C-CARBON R	RN72K1J-274JE	1	435032744R1
R8935	C-CARBON R	RN72K1J-103FE	1	435031032R1
R8936	C-CARBON R	RN72K1J-822JE	1	435038224R1
R8951	C-CARBON R	RN72K1J-103JE	1	435031034R1
R8953	C-CARBON R	RN72K1J-273FE	1	435032732R1

R8955	C-CARBON R	RN72K1J-103FE	1	435031032R1	
R8956	C-CARBON R	RN72K1J-562JE	1	435035624R1	
R8971	C-CARBON R	RN72K1J-102JE	1	435031024R1	
R8973	C-CARBON R	RN72K1J-103FE	1	435031032R1	
R8975	C-CARBON R	RN72K1J-103FE	1	435031032R1	
R8976	C-CARBON R	RN72K1J-332JE	1	435033324R1	
[SW TRM]					
JL501B	WIRE TRAP	NPLG-3P586	1	25055624	
JL801B	WIRE TRAP	NPLG-5P588	1	25055626	
JL901B	WIRE TRAP	NPLG-5P588	1	25055626	
P2800B	SOCKET	IMSA-9618S-09A	1	25053334R2	
P2800Bor	SOCKET	09FMN-SMT-A-TF	(1)	25052826R2	
P281	SOCKET	NSCT-8P2471	1	25052574R2	
P3101A	PLUG	NPLG-5P918	1	25055965R2	<B MDC, MDF, MMK, MMQ, MMR, MPA, MPP>
P701A	SOCKET	IMSA-9618S-23A	1	25053348R2	
P701Aor	SOCKET	23FMN-SMT-A-TF	(1)	25052840R2	
P751A	SOCKET	IMSA-9618S-09A	1	25053334R2	
P751Aor	SOCKET	09FMN-SMT-A-TF	(1)	25052826R2	
P752A	SOCKET	NSCT-9P2472	1	25052575R2	
P8001B	SOCKET	IMSA-9618S-21A	1	25053346R2	
P8001Bor	SOCKET	21FMN-SMT-A-TF	(1)	25052838R2	
P8002B	SOCKET	IMSA-9618S-09A	1	25053334R2	
P8002Bor	SOCKET	09FMN-SMT-A-TF	(1)	25052826R2	
P8003A	SOCKET	NSCT-7P2187	1	25052290	
P8101	SOCKET	TCX3400-111387	1	25053406R3	
P8101 or	SOCKET	HDMI(47266-4101)	(1)	25053389R3	
P8102	SOCKET	TCX3400-111387	1	25053406R3	
P8102 or	SOCKET	HDMI(47266-4101)	(1)	25053389R3	
P8103	SOCKET	TCX3400-111387	1	25053406R3	
P8103 or	SOCKET	HDMI(47266-4101)	(1)	25053389R3	
P8104	SOCKET	TCX3400-111387	1	25053406R3	
P8104 or	SOCKET	HDMI(47266-4101)	(1)	25053389R3	
P8105	SOCKET	TCX3400-111387	1	25053406R3	
P8105 or	SOCKET	HDMI(47266-4101)	(1)	25053389R3	

P8901	SOCKET	NSCT-8P2471	1	25052574R2
-------	--------	-------------	---	------------

ONKYO

ONKYO SOUND & VISION CORPORATION

Technical Support, Service Department
2-1, Nisshin-cho, Neyagawa-shi, OSAKA 572-8540, JAPAN
Tel: 072-831-8023 Fax: 072-831-8163

ONKYO U.S.A. CORPORATION

18 Park Way, Upper Saddle River, N.J. 07458, U.S.A.
Tel: 800-229-1687, 201-785-2600 Fax: 201-785-2650
<http://www.us.onkyo.com/>

ONKYO EUROPE ELECTRONICS GmbH

Liegnitzerstrasse 6, 82194 Groebenzell, GERMANY
Tel: +49-8142-4401-0 Fax: +49-8142-4208-213
<http://www.eu.onkyo.com/>

ONKYO EUROPE ELECTRONICS GmbH (UK BRANCH)

The Coach House 81A High Street, Marlow, Buckinghamshire, SL7 1AB, UK
Tel: +44-(0)1628-473-350 Fax: +44-(0)1628-401-700

ONKYO CHINA LIMITED

Unit 1033, 10/F, Star House, No 3, Salisbury Road, Tsim Sha Tsui Kowloon, Hong Kong.
Tel: 852-2429-3118 Fax: 852-2428-9039
<http://www.onkyochina.com/>

ONKYO CHINA PRC

1301, 555 Tower, No.555 West NanJin Road, Jin an, Shanghai,
China 200041, Tel: 86-21-52131366 Fax: 86-21-52130396
<http://www.cn.onkyo.com/>