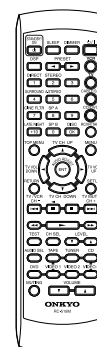
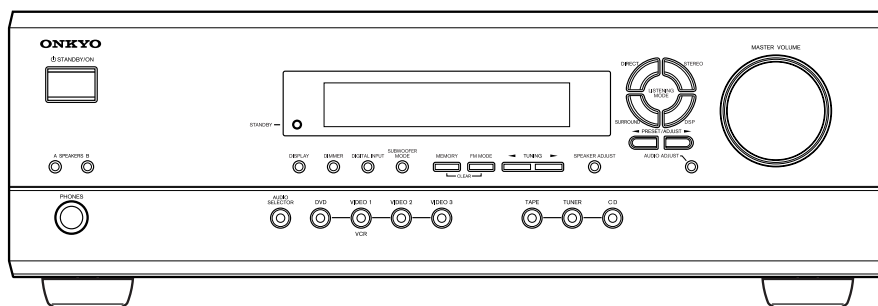
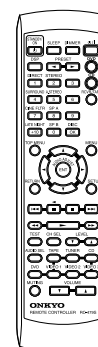


ONKYO SERVICE MANUAL

AV RECEIVER MODEL TX-SR402 TX-SR8240 HT-R420



RC-518M



RC-479S

(Noth American model) (Other models)

TX-SR402 Silver and Golden models

SMGR,GMGR | 220-230V AC, 50/60Hz

TX-SR8240 Golden models

GMGR | 220-230V AC, 50/60Hz

HT-R420 Black and Silver models

BMDC,BMDD,SMDC,SMDD	120V AC, 60Hz
BMPA,SMPA,SMPT	230-240V AC, 50Hz
SMWT	120V/220-230V AC, 50Hz

SAFETY-RELATED COMPONENT WARNING!!

COMPONENTS IDENTIFIED BY MARK \triangle ON THE SCHEMATIC DIAGRAM AND IN THE PARTS LIST ARE CRITICAL FOR RISK OF FIRE AND ELECTRIC SHOCK. REPLACE THESE COMPONENTS WITH ONKYO PARTS WHOSE PART NUMBERS APPEAR AS SHOWN IN THIS MANUAL.

MAKE LEAKAGE-CURRENT OR RESISTANCE MEASUREMENTS TO DETERMINE THAT EXPOSED PARTS ARE ACCEPTABLY INSULATED FROM THE SUPPLY CIRCUIT BEFORE RETURNING THE APPLIANCE TO THE CUSTOMER.

SPECIFICATIONS-1

TX-SR402/TX-SR8240

Amplifier Section

Power Output:

All channels:	100 W (6 Ω , 1kHz, JEITA)
Dynamic Power:	160 W + 160 W (3 Ω , Front) 125 W + 125 W (4 Ω , Front) 85 W + 85 W (8 Ω , Front)

THD

(Total Harmonic Distortion):	0.08 % (Power Rated)
Damping Factor:	60 (Front, 1kHz, 8 Ω)
Input Sensitivity and Impedance:	200 mV/ 47 k Ω (LINE)
Output Level and Impedance:	200 mV/ 470 Ω (REC OUT)
Frequency Response:	10 Hz~100 kHz / +1 dB -3 dB (Direct mode)

Tone Control:

+12 dB, -12 dB, 50 Hz (BASS)
+12 dB, -12 dB, 20k Hz (TREBLE)

SN Ratio:

100 dB (CD, IHF-A)

Speaker Impedance:

6-16 Ω

Video Section

Input Sensitivity/Output Level and Impedance:

1 Vp-p /75 Ω (Component and S-Video Y)
0.28 Vp-p /75 Ω (Component Pb/Cb,Pr/Cr)
0.28 Vp-p /75 Ω (S-Video C)
1 Vp-p /75 Ω (Composite)

Tuner Section

■ FM

Tuning Frequency Range:	87.5 MHz~108.0 MHz
Usable Sensitivity:	Stereo 17.2 dBf 2 μ V (75 Ω IHF) Mono 11.2 dBf 1 μ V (75 Ω IHF)
S/N Ratio:	Stereo 70 dB (IHF-A) Mono 76 dB (IHF-A)
THD:	Stereo 0.3 % (1kHz) Mono 0.2 % (1kHz)
Frequency Response:	30 Hz~15 kHz / +1 dB, -1 dB
Stereo Separation:	45 dB (1kHz)

■ AM

Tuning Frequency Range:	522-1611 kHz
Usable Sensitivity:	30 μ V
S/N Ratio:	40 dB
THD:	0.70%

General

Power Supply:	AC 220-230 V, 50/60 Hz
Power Consumption:	300W
Dimensions:	435 W x 150 H x 374 D mm 17 1/8 W x 5 7/8 H x 14 3/4 D inches
Weight:	8.8 kg 18.4 lbs

■ Video Inputs

S-Video Compatible Jack Input:	DVD, VIDEO1, VIDEO2
A/V Input:	DVD, VIDEO1, VIDEO2, VIDEO3

■ Video Outputs

S-Video Compatible Jack Output:	MONITOR, VIDEO1
A/V Output:	MONITOR, VIDEO1

■ Audio Inputs

Digital Inputs:	1 (Optical) , 1 (Coaxial)
Analog Inputs:	DVD (MULTI CHANNEL), CD, TAPE, VIDEO1, VIDEO2, VIDEO3
Multichannel Inputs:	6

■ Audio Outputs

Analog Outputs:	TAPE, VIDEO1
Subwoofer Pre Outputs:	1
Speaker Outputs:	5+2
Phones:	1

Specifications and features are subject to change without notice.

SPECIFICATIONS-2

HT-R420

Amplifier Section

Power Output:

All channels: 100 W (8 Ω , 20Hz~20kHz, FTC)
 American model
 100 W (8 Ω , 1kHz, DIN) Australian model
 100 W (6 Ω , 1kHz, JEITA) Asian model

Dynamic Power:

230 W + 230 W (3 Ω , Front)
 170 W + 170 W (4 Ω , Front)
 115 W + 115 W (8 Ω , Front)

THD

(Total Harmonic Distortion): 0.08 % (Power Rated)

Damping Factor: 60 (Front, 1kHz, 8 Ω)

Input Sensitivity and Impedance: 200 mV/ 47 k Ω (LINE)

Output Level and Impedance: 200 mV/ 470 Ω (REC OUT)

Frequency Response: 10 Hz~100 kHz / +1 dB -3 dB (Direct mode)

Tone Control:

+12 dB, -12 dB, 50 Hz (BASS)
 +12 dB, -12 dB, 20k Hz (TREBLE)

SN Ratio:

100 dB (CD, IHF-A)

Speaker Impedance:

8~16 Ω

Video Section

Input Sensitivity/Output Level and Impedance:

1 Vp-p /75 Ω (Component and S-Video Y)
 0.28 Vp-p /75 Ω (Component Pb/Cb,Pr/Cr)
 0.28 Vp-p /75 Ω (S-Video C)
 1 Vp-p /75 Ω (Composite)

Tuner Section

■ FM

Tuning Frequency Range:

87.5 MHz~108.0 MHz

Usable Sensitivity:

Stereo 17.2 dBf 2 μ V (75 Ω IHF)

Mono 11.2 dBf 1 μ V (75 Ω IHF)

S/N Ratio:

Stereo 70 dB (IHF-A)

Mono 76 dB (IHF-A)

THD:

Stereo 0.3 % (1kHz)

Mono 0.2 % (1kHz)

Frequency Response:

30 Hz~15 kHz / +1 dB, -1 dB

Stereo Separation:

45 dB (1kHz)

■ AM

Tuning Frequency Range:

American model: 530 kHz~1710 kHz

Australian model: 522 kHz~1611 kHz

Others model: 530/522 kHz~1710/1611 kHz

Usable Sensitivity:

30 μ V

S/N Ratio:

40 dB

THD:

0.70%

General

Power Supply:

American model: AC 120 V, 60 Hz

Australian model: AC 230 V, 50 Hz

Others model: AC 120-220/230 V, 50/60 Hz

Power Consumption:

American model: 4.7A

Australian and Worldwide model: 300 W

Dimensions:

435 W x 150 H x 374 D mm

17 1/8 W x 5 7/8 H x 14 3/4 D inches

Weight:

8.8 kg

19.4 lbs

■ Video Inputs

S-Video Compatible Jack Input: DVD, VIDEO1, VIDEO2

A/V Input: DVD, VIDEO1, VIDEO2, VIDEO3

■ Video Outputs

S-Video Compatible Jack Output: MONITOR, VIDEO1

A/V Output: MONITOR, VIDEO1

■ Audio Inputs

Digital Inputs: 1 (Optical) , 1 (Coaxial)

Analog Inputs: DVD (MULTI CHANNEL), CD, TAPE,

VIDEO1, VIDEO2, VIDEO3

Multichannel Inputs:

6

■ Audio Outputs

Analog Outputs: TAPE, VIDEO1

Subwoofer Pre Outputs: 1


Speaker Outputs: 5+2

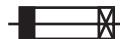
Phones: 1

Specifications and features are subject to change without notice.

SERVICE PROCEDURES-1

1. Replacing the fuses

 This symbol located near the fuse indicates that the fuse used is show operating type, For continued protection against fire hazard, replace with same type fuse, For fuse rating, refer to the marking adjacent to the symbol.

 Ce symbole indique que le fusible utilise est e lent. Pour une protection permanente, n'utiliser que des fusibles de meme type. Ce demier est indique la qu le present symbol est appose.

REF NO.	PART NO.	DESCRIPTION	NOTES
F6901,F6902	252099	8A-EAK FUSE	GR,WT,PA,PT
F6901,F6902	252198	8A-UL	DC,DD
F6901or,F6902or	252261	8A-T/UL-ST2	DC,DD
F901	252198	8A-UL	DC,WT,DD
F901 or	252261	8A-T/UL-ST2	DC,WT,DD
F902	252076	3.15A-SE-EAK FUSE	GR,WT,PA,PT
F902 or	252242	3.15A-SE-TL250V	GR,WT,PA,PT
F902 or	252276	3.15A-SE-TL250V	GR,WT,PA,PT
F903	252075	2.5A-SE-EAK FUSE	GR,WT,PA,PT
F903 or	252241	2.5A-SE-TL250V	GR,WT,PA,PT
F903 or	252275	2.5A-SE-TL250V	GR,WT,PA,PT
F903	252164	5A-UL/T-237	DC,DD
F903 or	252258	5A-T/UL-ST2	DC,DD

[NOTE]

<DD> : 120V model only

<DC> : 120V model only

<WT> : World wide model only

<GR> : Chinese model only for 220V

<PA> : Australia model only for 230V

<PT> : Asian model only for 230V

2. Safety-check out

(Only U.S.A. model)

After correcting the original service problem perform the following safety check before releasing the set to the customer
Connect the insulating-resistance tester between the plug of power supply cord and terminal GND on the back panel.
Specifications: More than 10Mohm at 500V

3. To initialize the unit

This device employs a microprocessor to perform various functions and operations. If interference generated by an external power supply, radio wave, or other electrical sauce results in accident which causes the specified operations and functions to operate abnormally.

To perform a result, please follow the procedure below.

1. Press and the hold down the **VIDEO 1** button , then press the **STANDBY/ON** button when the unit is Power **ON**.
2. After "*Clear*" is displayed, the preset memory and each mode stored in the memory, are initialized and will return to the factory settings.

4. How to check version of microprocessor?

Main microprocessor Q7008.

1. Press and the hold down the DISPLAY button , then press the STANDBY/ON button when the unit is Power ON.
Version is displayed on FL display only for 3 seconds.

ex.

Version 30212a

2. Press the STANDBY/ON button to Power Off.

Sub microprocessor Q7502.

Check is impossible. (Unnecessary)

5. Memory Preservation

This unit does not require memory preservation batteries.

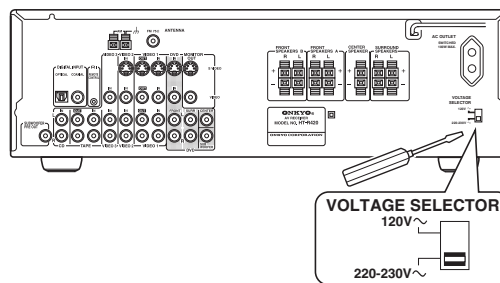
A built-in memory power backup system preserves the contents of memory during power failures and even when the power cord is unplugged. The power cord must be plugged in order to charge the backup system.

The memory preservation period after the unit has been turned off varies depending on climate and placement of the unit. On average, memory contents are protected over a period of a few weeks after the time the unit has been turned off.

This period is shorter when the unit is exposed to a very humid climate.

6.Setting the voltage selector (Worldwide models only)

The Worldwide model has a voltage selector for compatibility with power systems around the world. Before you plug in this model, make sure that the voltage selector is set to the correct voltage for your area. If it isn't, use a small screwdriver to set it as appropriate. For example, if the voltage in your area is 120 volts (V), set the selector to "120V. " And if it's between 220 and 230 volts (V), set it to "220-230V."



SERVICE PROCEDURES-2

7. Changing the AM band step

1. Worldwide model (MWT).

You can select AM band step 9kHz or 10kHz by the following operation.

How to select?

Press and hold down the TUNER , then press the MEMORY.

2. Except worldwide model.

2-1. Necessary to change as follows.

R7003 Change to 10 kohms. (Refer to Fig-1)

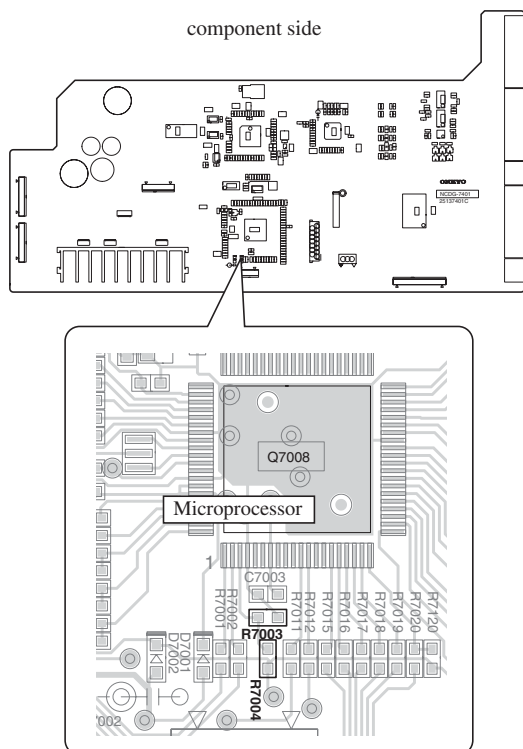
R7004 Change to 10 kohms. (Refer to Fig-1)

2-2. How to select?

Press and hold down the TUNER , then press the MEMORY.

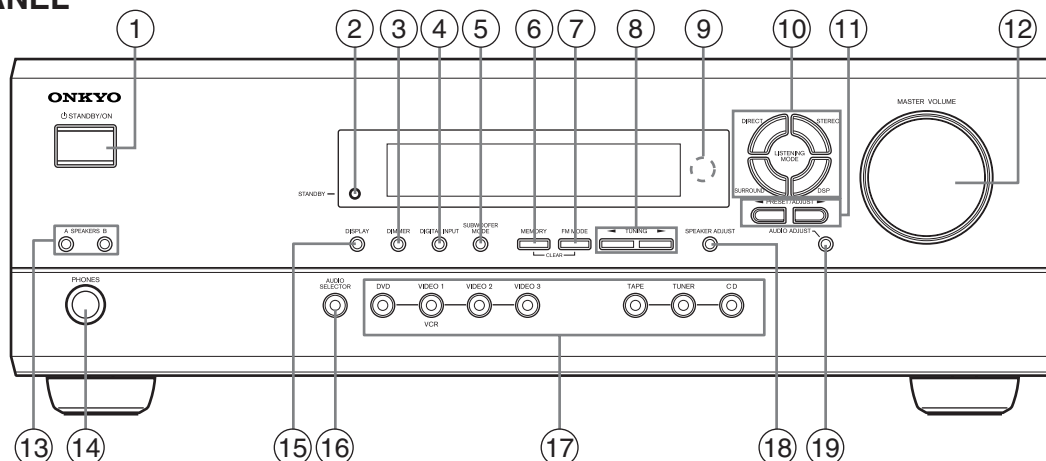
Fig-1

NADG-7401 (PREAMPLIFIER PC BOARD)



PANEL VIEWS-1

FRONT PANEL



① STANDBY/ON button

When STANDBY/ON button is pressed to ON, the display will light to show the current volume setting for about 5 seconds then show the current sound input source. Pressing the button again returns the unit to the standby state. This state turns off the display, disables control functions.

② STANDBY indicator

Lights when the unit is in the standby state and flashes when a signal is received from the remote controller.

③ DIMMER button

Press to set the brightness of the front display. The brightness changes to normal, dim and very dim.

④ DIGITAL INPUT button

When digital components are connected to the DIGITAL INPUT jacks of the unit use this button to assign the DIGITAL INPUT jacks to them according to their forms of connection.

⑤ SUBWOOFER MODE button

Press to select the subwoofer mode.

⑥ MEMORY button

This button is used to assign the radio station that is currently tuned in to a preset channel or delete a previously preset station.

⑦ FM MODE button

Press to switch the reception mode between stereo and monaural. If audio is interrupted or noise interferes with audio during FM stereo broadcasting, press this button to switch to the monaural reception mode.

⑧ TUNING ◀/▶ buttons

Use these buttons to change the tuner frequency. When FM is selected, you can hold down one of the TUNING ◀/▶ buttons and then release it to activate the auto-search feature. It will search for a station in the direction of the button you pressed and stop when it tunes into one.

⑨ Remote control sensor

This sensor receives the control signals from the remote controller.

⑩ LISTENING MODE buttons

Press these buttons to select a listening mode for the current source. Press the DSP button to recall the Onkyo-original DSP modes in sequence. Press the DIRECT, STEREO or SURROUND button to recall the corresponding listening mode directly.

⑪ PRESET/ADJUST ◀/▶ buttons

These buttons make it possible to store desired radio stations under the desired preset numbers and recall them with an easy operation. Also, these buttons adjust the values and parameters of the mode selected using the AUDIO ADJUST, SPEAKER ADJUST or AUDIO SELECTOR button.

⑫ MASTER VOLUME dial

The MASTER VOLUME dial is used to control the volume level. Turn the dial clockwise to increase the volume level and counterclockwise to decrease it.

⑬ SPEAKERS A/B buttons

Press SPEAKERS A/B to turn on/off the speaker system A/B. The (SPEAKERS) A/B indicators corresponding to the selected speaker system light up. You can use SPEAKERS A and B simultaneously.

⑭ PHONES jack

This is a standard stereo jack for connecting stereo headphones. The audio for the front right and left speakers are sent to the headphone speakers.

⑮ DISPLAY button

Each time you press the DISPLAY button, the display changes.

⑯ AUDIO SELECTOR button

Press to select an audio input signal format other than FM and AM. Each time this button is pressed, the setting cycles.

⑰ Input selector buttons (DVD, VIDEO 1, VIDEO 2, VIDEO 3, TAPE, TUNER, and CD)

These buttons are used to select the input source. Pressing and holding the TAPE button for about 2 seconds allows the TAPE and MD sources to be switched.

⑱ SPEAKER ADJUST button

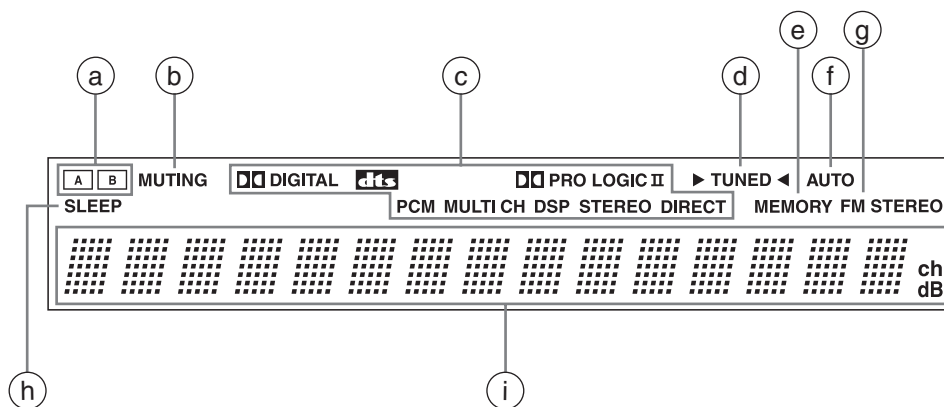
Press to select speaker setting item.

⑲ AUDIO ADJUST button

Press to adjust bass, treble, late night function, cinema filter, Panorama, Dimension and Center Width function setting.

PANEL VIEWS-2

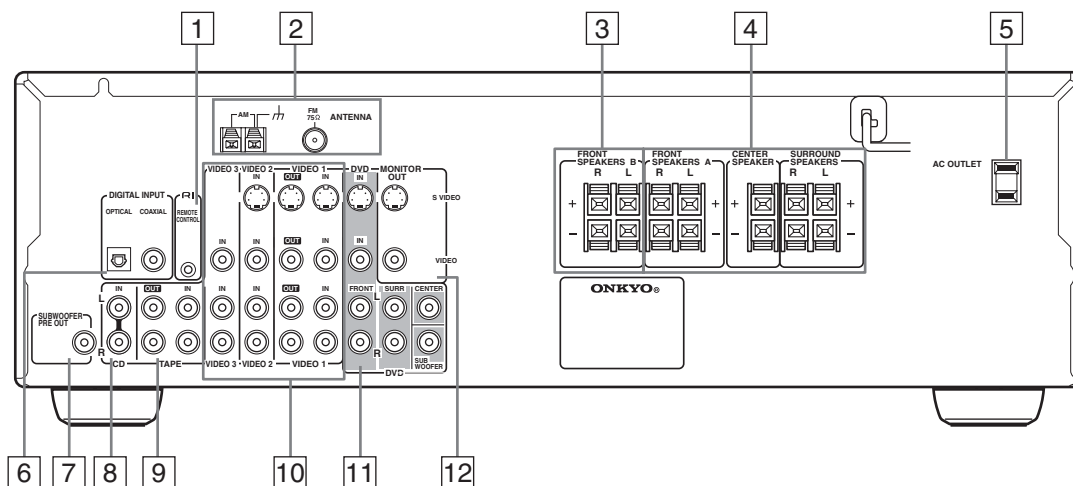
DISPLAY



- a (SPEAKERS) A/B indicators**
Shows the current speaker system in use.
- b MUTING indicator**
Flashes when the mute function is active.
- c Source/Listening mode indicators**
One of these indicators lights to show the format of the current source as "PCM", "DIGITAL" or "DTS". In addition, one of the listening mode indicators "PRO LOGIC II", "MULTI CH", "DSP", "STEREO" and "DIRECT" lights according to the current listening mode.
- d TUNED indicator**
Lights up when a radio station is received.
- e MEMORY indicator**
Lights up when the MEMORY button is pressed in the radio station preset operation.
- f AUTO indicator**
Lights up to indicate auto reception mode (stereo/monaural). At this time, interstation noise will be muted (FM only). It extinguishes when the monaural reception mode is started by pressing the FM MODE button.
- g FM STEREO indicator**
Lights up when an FM stereo broadcast station is received.
- h SLEEP indicator**
Lights up when the sleep timer is active.
- i Multi function display**
In usual operation, shows the current input source and volume. When the FM or AM input is selected, it shows the frequency and preset number. When the DISPLAY button is pressed, it shows the current input source and the listening mode.

PANEL VIEWS-3

REAR PANEL



1 RI REMOTE CONTROL

Connect the Onkyo components that have **RI** connectors such as a CD player, and cassette tape deck using the **RI** cables provided with them. When these components are interconnected, they can be controlled from the remote controller provided with the unit. For correct operation, the audio connection cables must also be connected. This applies to both remote and standard operation.

2 ANTENNA

These terminals are for connecting the FM antenna and AM antenna.

3 FRONT SPEAKERS B

These terminals are for connecting the speaker system B.

4 FRONT SPEAKERS A, CENTER SPEAKER and SURROUND SPEAKERS

These terminals are for connecting the speaker system A, including the center and surround speakers.

5 AC OUTLET

The unit is supplied with AC outlet for connecting the power cord from other devices so that their power is supplied through the unit. By doing this, you can use the **STANDBY/ON** button on the unit to turn on and off the connected devices as well.

6 DIGITAL INPUT OPTICAL, COAXIAL

These are digital audio inputs. There is 1 optical jack and 1 coaxial jack. The inputs accept digital audio signals from DVD, LD, CD, or other digital source.

7 SUBWOOFER PRE OUT

This terminal is for connecting an active subwoofer.

8 CD IN

Connect the output terminal on the CD player to the CD IN L/R jacks on the unit.

9 TAPE IN/OUT

Connect the output terminals (PLAY) of the cassette tape deck or MD recorder to the TAPE IN L/R jacks on the unit and the input terminals (REC) to the TAPE OUT L/R jacks.

10 VIDEO 1 IN/OUT, VIDEO 2 IN, VIDEO 3 IN

Connect the output terminals (PLAY) of the video cassette recorder to the VIDEO 1 IN L/R jacks on the unit and the input terminals (REC) to the VIDEO 1 OUT jacks. Connect the output terminals of the video cassette player or satellite tuner to the VIDEO 2 IN or VIDEO 3 IN jacks on the unit.

11 DVD

Connect the DVD player. If the DVD player has 5.1 channel output terminals, connect each terminal to the FRONT L/R, CENTER, SUBWOOFER, and SURR L/R terminals on the unit. If the DVD player has only 2 channel output terminals, connect to the FRONT L/R terminals on the HT-R420.

12 MONITOR OUT

The monitor output includes both RCA type and S video configurations. This output is for connecting television monitors or projectors.

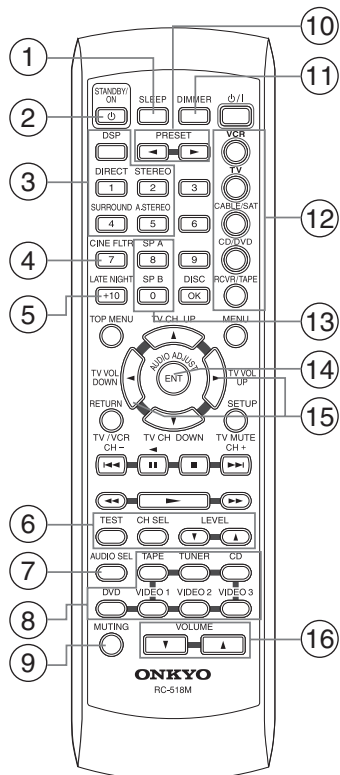
Tip

The audio input jacks of the unit do not accept direct connection of an analog turntable. If you want to connect a turntable to the unit prepare a phono equalizer and connect it to the unused audio input jacks (IN L/R). Refer to the instruction manuals of the phono equalizer and turntable for details.

REMOTE CONTROLLER

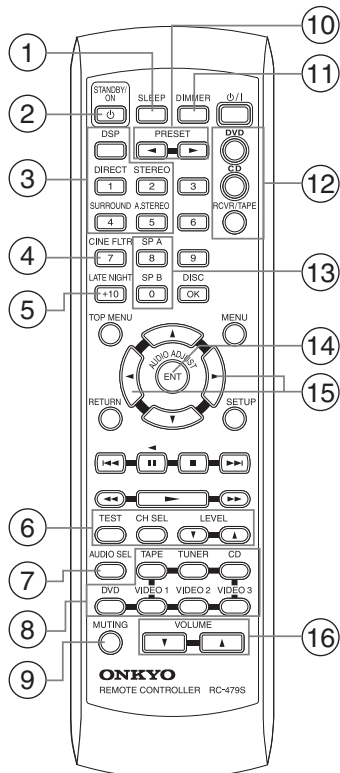
RC-518M/RC-479M

RC-518M (HT-R420 American model)



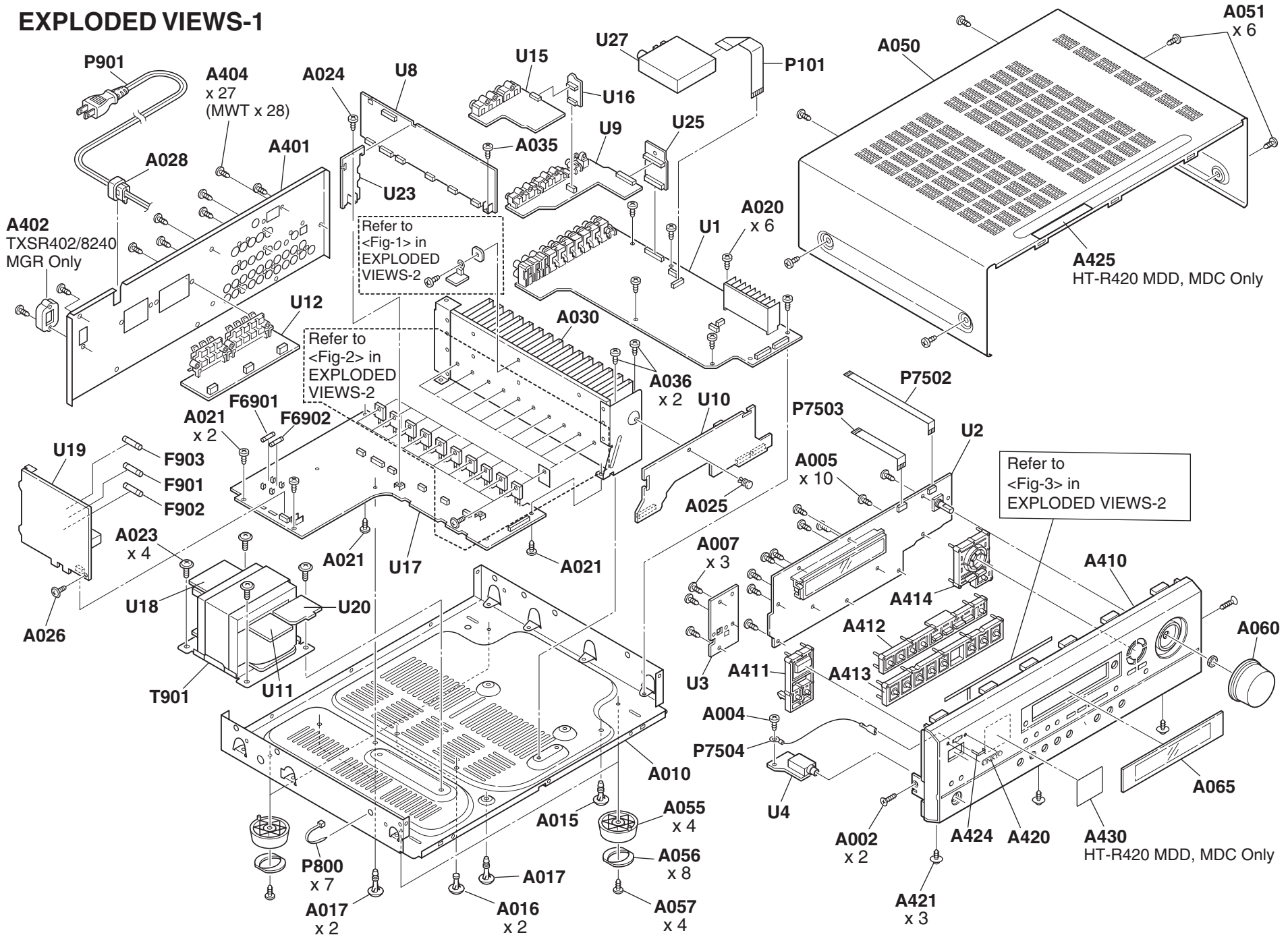
- ① **SLEEP button**
For setting the sleep time.
This button is provided only on the remote controller.
- ② **STANDBY/ON button**
Turns on the unit or put it in standby.
- ③ **Listening mode buttons**
Press to change the listening mode.
- ④ **CINE FLTR button**
Press to activate/deactivate Cinema Filter function.
- ⑤ **LATE NIGHT button**
Press to change the late night setting.
- ⑥ **TEST/CH SEL/LEVEL ∇/\blacktriangle buttons**
For setting the output levels for each speaker.
These buttons are provided only on the remote controller.
- ⑦ **AUDIO SEL button**
Press to select an audio input signal format.
- ⑧ **INPUT SELECTOR buttons**
For selecting the input source.
- ⑨ **MUTING button**
Activates the mute function.
This button is provided only on the remote controller.
- ⑩ **PRESET $\blacktriangle/\blacktriangleright$ button**
For selecting a tuner preset channel.
- ⑪ **DIMMER button**
For adjusting the brightness of the front display.
- ⑫ **Mode buttons**
For selecting the component to be operated by the remote controller. The RC-518M remote controller has five mode buttons, the RC-479S has three.
- ⑬ **SP A/SP B buttons**
Press to switch the speaker systems.
- ⑭ **AUDIO ADJUST button**
Press to adjust bass, treble, late night function and cinema filter function setting.
- ⑮ **ADJUST $\blacktriangle/\blacktriangleright$ button**
Press to adjust the values and parameters of the mode selected using the AUDIO ADJUST, SPEAKER ADJUST or AUDIO SELECTOR button.
- ⑯ **VOLUME ∇/\blacktriangle button**
For adjusting the volume.

RC-479S (HT-R420 Except American models, TX-SR402, TX-SR8240)



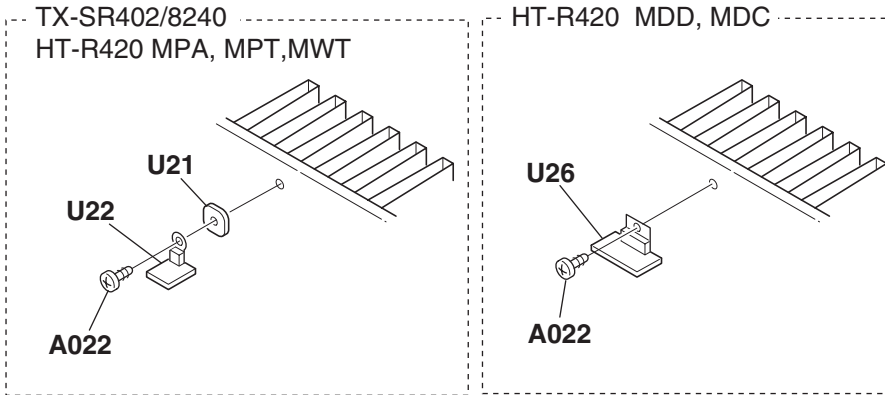
- ① **SLEEP button**
For setting the sleep time.
This button is provided only on the remote controller.
- ② **STANDBY/ON button**
Turns on the unit or put it in standby.
- ③ **Listening mode buttons**
Press to change the listening mode.
- ④ **CINE FLTR button**
Press to activate/deactivate Cinema Filter function.
- ⑤ **LATE NIGHT button**
Press to change the late night setting.
- ⑥ **TEST/CH SEL/LEVEL ∇/\blacktriangle buttons**
For setting the output levels for each speaker.
These buttons are provided only on the remote controller.
- ⑦ **AUDIO SEL button**
Press to select an audio input signal format.
- ⑧ **INPUT SELECTOR buttons**
For selecting the input source.
- ⑨ **MUTING button**
Activates the mute function.
This button is provided only on the remote controller.
- ⑩ **PRESET $\blacktriangle/\blacktriangleright$ button**
For selecting a tuner preset channel.
- ⑪ **DIMMER button**
For adjusting the brightness of the front display.
- ⑫ **Mode buttons**
For selecting the component to be operated by the remote controller. The RC-518M remote controller has five mode buttons, the RC-479S has three.
- ⑬ **SP A/SP B buttons**
Press to switch the speaker systems.
- ⑭ **AUDIO ADJUST button**
Press to adjust bass, treble, late night function and cinema filter function setting.
- ⑮ **ADJUST $\blacktriangle/\blacktriangleright$ button**
Press to adjust the values and parameters of the mode selected using the AUDIO ADJUST, SPEAKER ADJUST or AUDIO SELECTOR button.
- ⑯ **VOLUME ∇/\blacktriangle button**
For adjusting the volume.

EXPLODED VIEWS-1

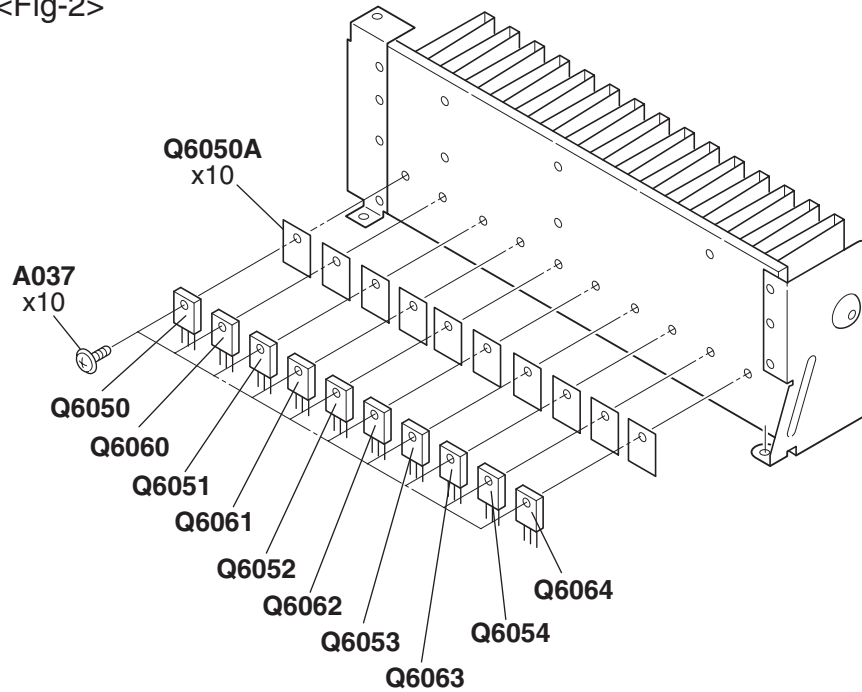


EXPLODED VIEWS-2

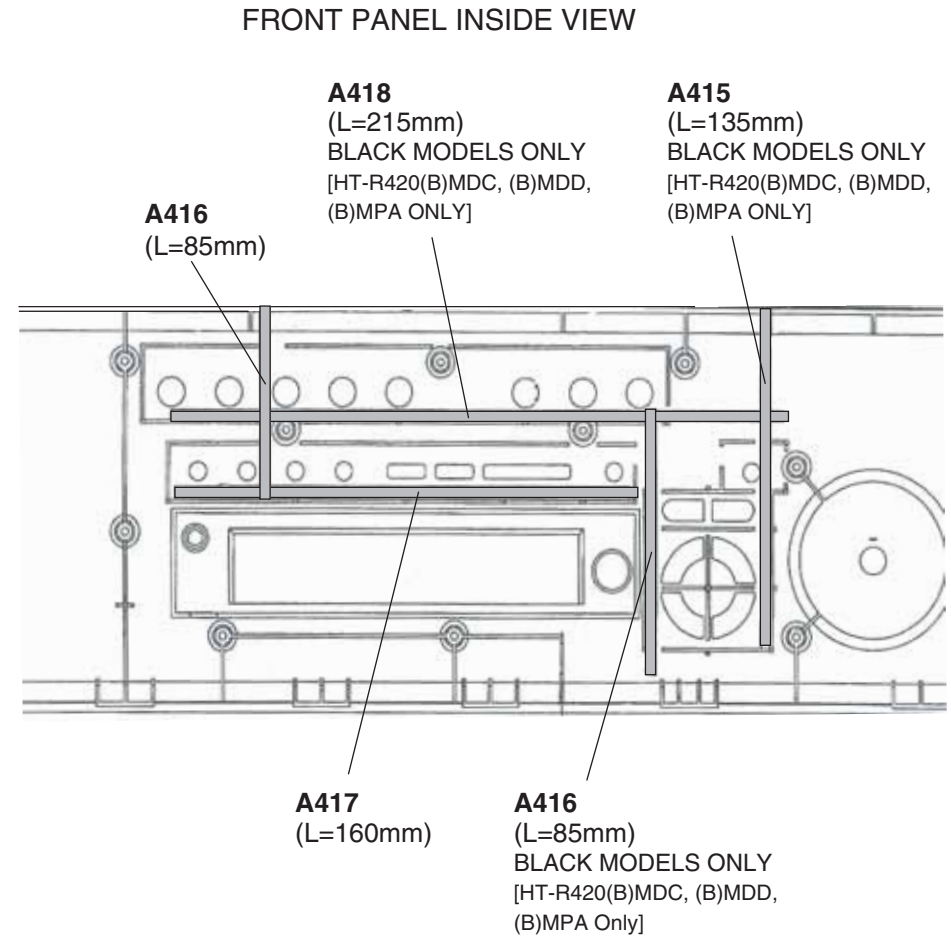
<Fig-1>



<Fig-2>



<Fig-3>



A B C D

BLOCK DIAGRAM

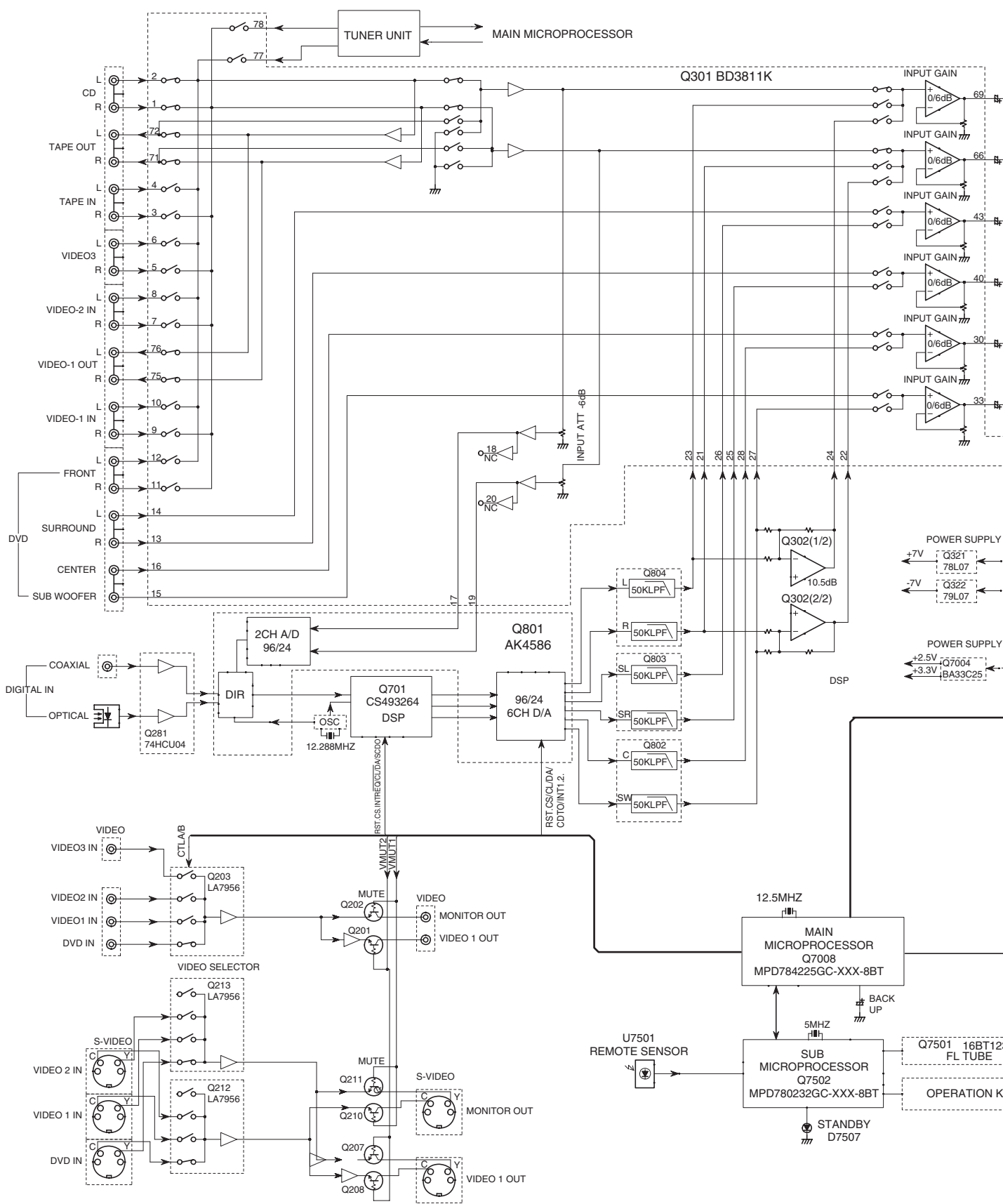
1

2

3

4

5

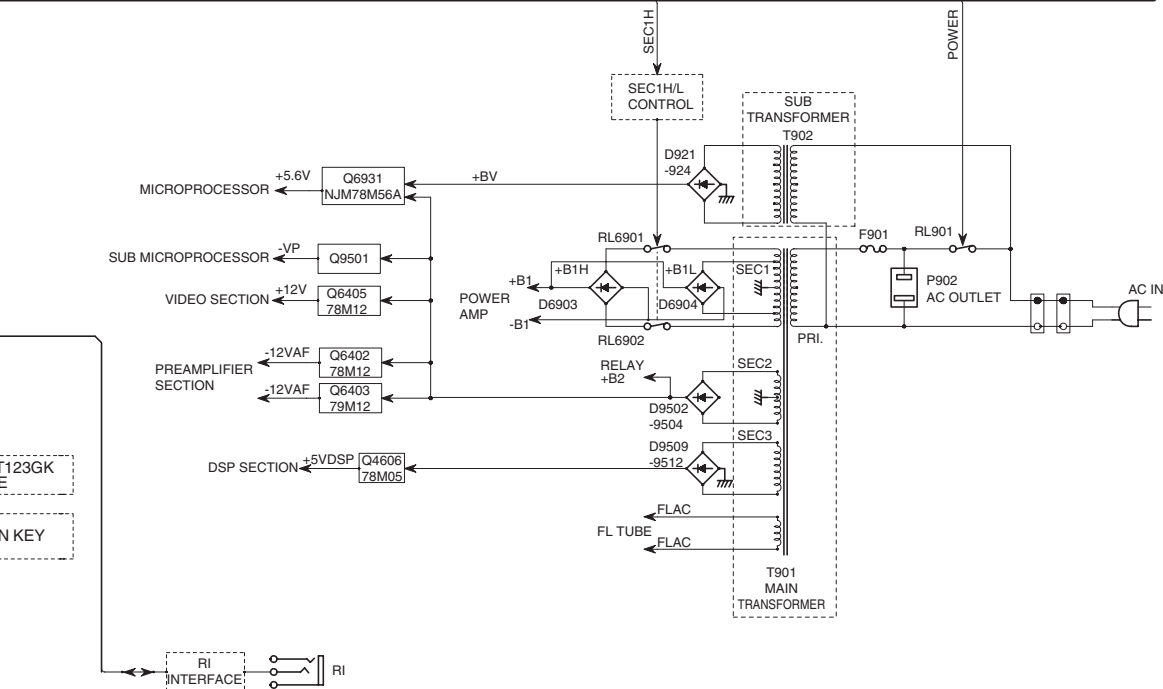
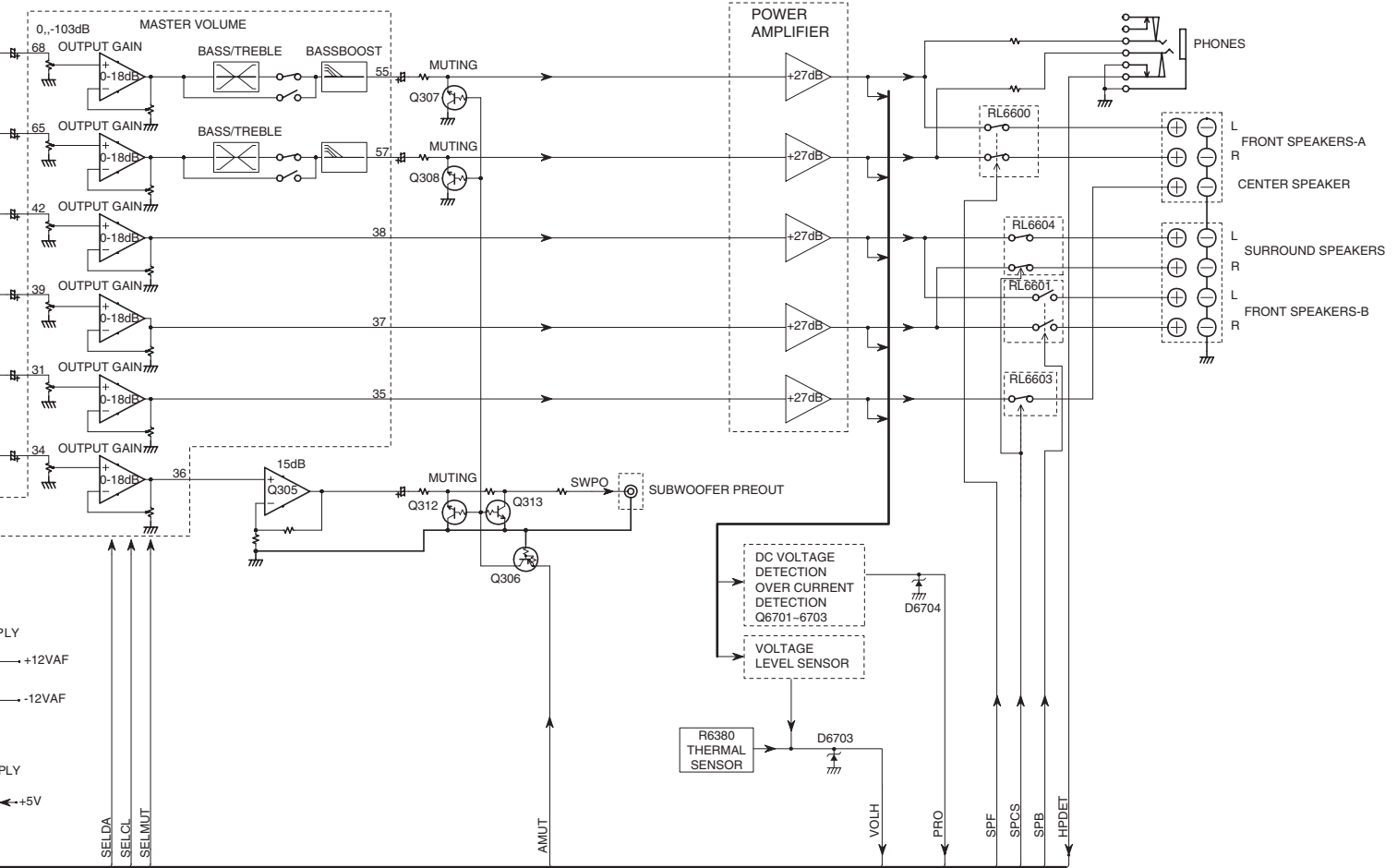


E

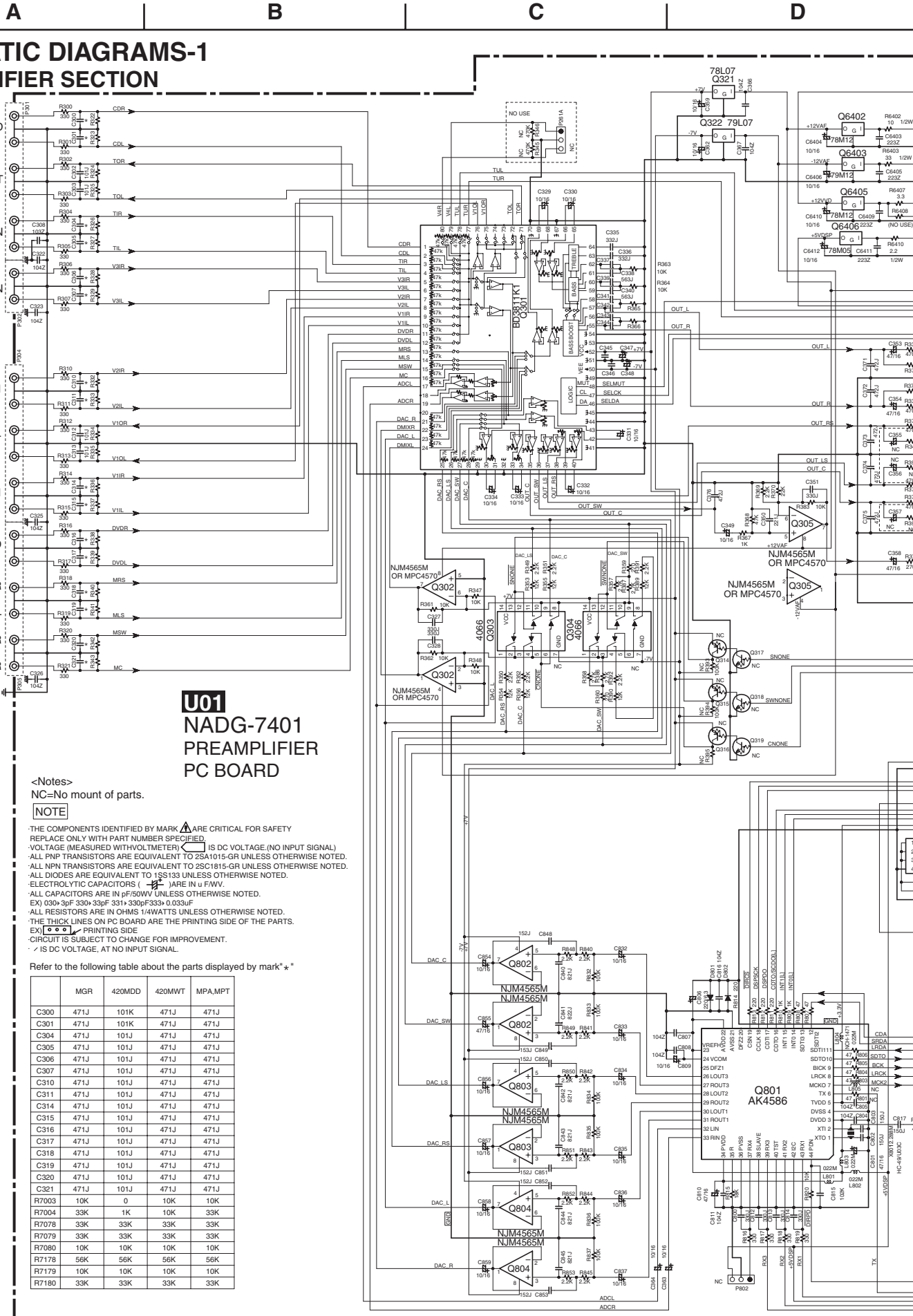
F

G

H



SCHEMATIC DIAGRAMS-1
PREAMPLIFIER SECTION



U01
NADG-7401
PREAMPLIFIER
PC BOARD

<Notes>

NC=No mount of parts.

NOTE

- THE COMPONENTS IDENTIFIED BY MARK **A** ARE CRITICAL FOR SAFETY. REPLACE ONLY WITH PART NUMBER SPECIFIED.
- VOLTAGE (MEASURED WITH VOLTMETER) **(C)** IS DC VOLTAGE (NO INPUT SIGNAL).
- ALL PNP TRANSISTORS ARE EQUIVALENT TO 2SA1015-GR UNLESS OTHERWISE NOTED.
- ALL NPN TRANSISTORS ARE EQUIVALENT TO 2SC1815-GR UNLESS OTHERWISE NOTED.
- ALL DIODES ARE EQUIVALENT TO 1SS133 UNLESS OTHERWISE NOTED.
- ELECTROLYTIC CAPACITORS (**E**) ARE IN μ FWV.
- ALL CAPACITORS ARE IN pF/50V UNLESS OTHERWISE NOTED.
EX) 030>30pF 330>33pF 331>330pF/33V 0.033uF
- ALL RESISTORS ARE IN OHMS 1/4WATTS UNLESS OTHERWISE NOTED.
EX) **(O)** PRINTING SIDE
- CIRCUIT IS SUBJECT TO CHANGE FOR IMPROVEMENT.
- / IS DC VOLTAGE, AT NO INPUT SIGNAL.

Refer to the following table about the parts displayed by mark "*" *

	MGR	420MDD	420MWT	MPA_MPT
C300	471J	101K	471J	471J
C301	471J	101K	471J	471J
C304	471J	101J	471J	471J
C305	471J	101J	471J	471J
C306	471J	101J	471J	471J
C307	471J	101J	471J	471J
C310	471J	101J	471J	471J
C311	471J	101J	471J	471J
C314	471J	101J	471J	471J
C315	471J	101J	471J	471J
C316	471J	101J	471J	471J
C317	471J	101J	471J	471J
C318	471J	101J	471J	471J
C319	471J	101J	471J	471J
C320	471J	101J	471J	471J
C321	471J	101J	471J	471J
R7003	10K	0	10K	10K
R7004	33K	1K	10K	33K
R7078	33K	33K	33K	33K
R7079	33K	33K	33K	33K
R7080	10K	10K	10K	10K
R7178	56K	56K	56K	56K
R7179	10K	10K	10K	10K
R7180	33K	33K	33K	33K

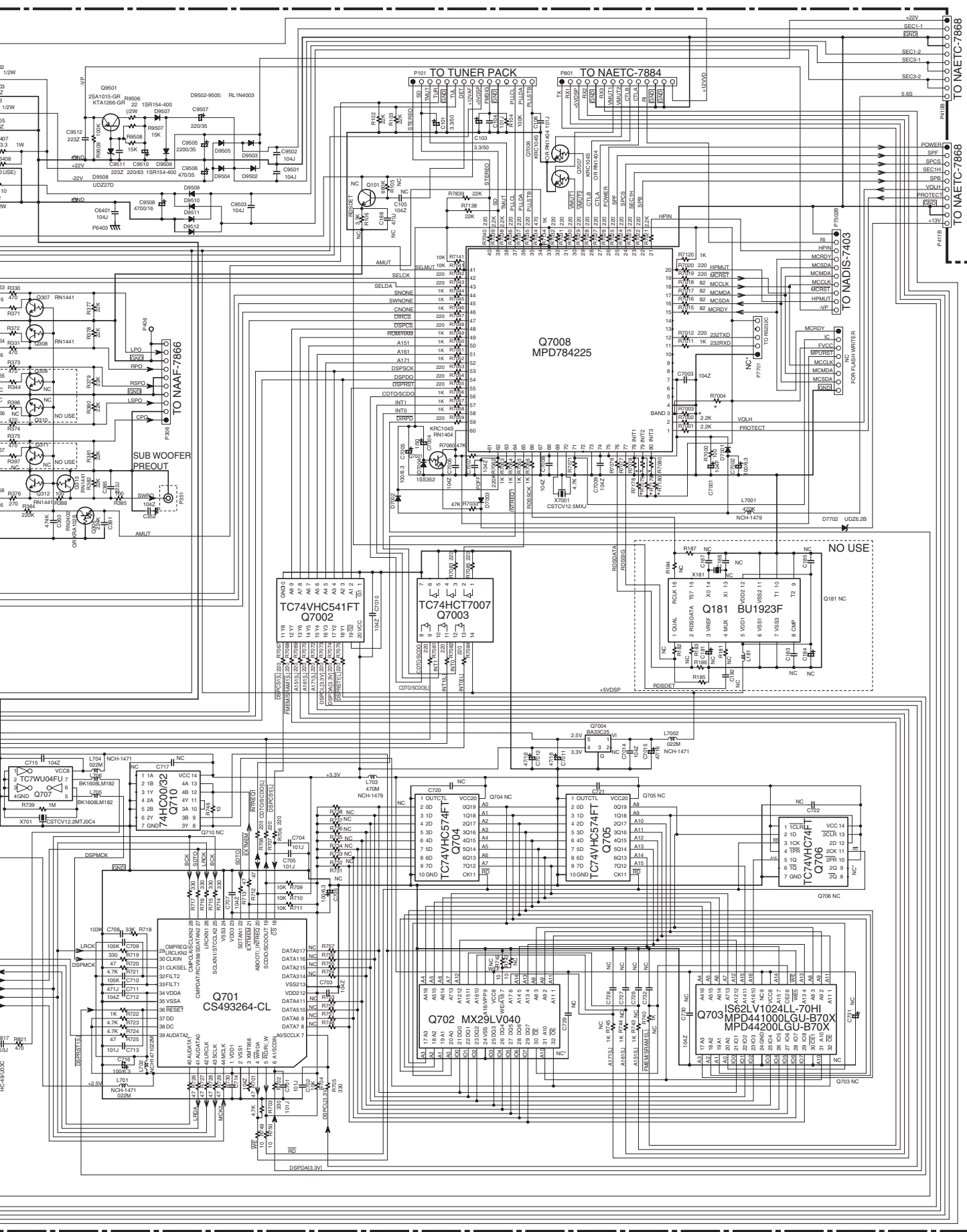
1

2

3

4

5



A B C D

SCHEMATIC DIAGRAMS-2 DISPLAY & VIDEO SECTION

1

NADIS-7403

U02
DISPLAY PC BOARD

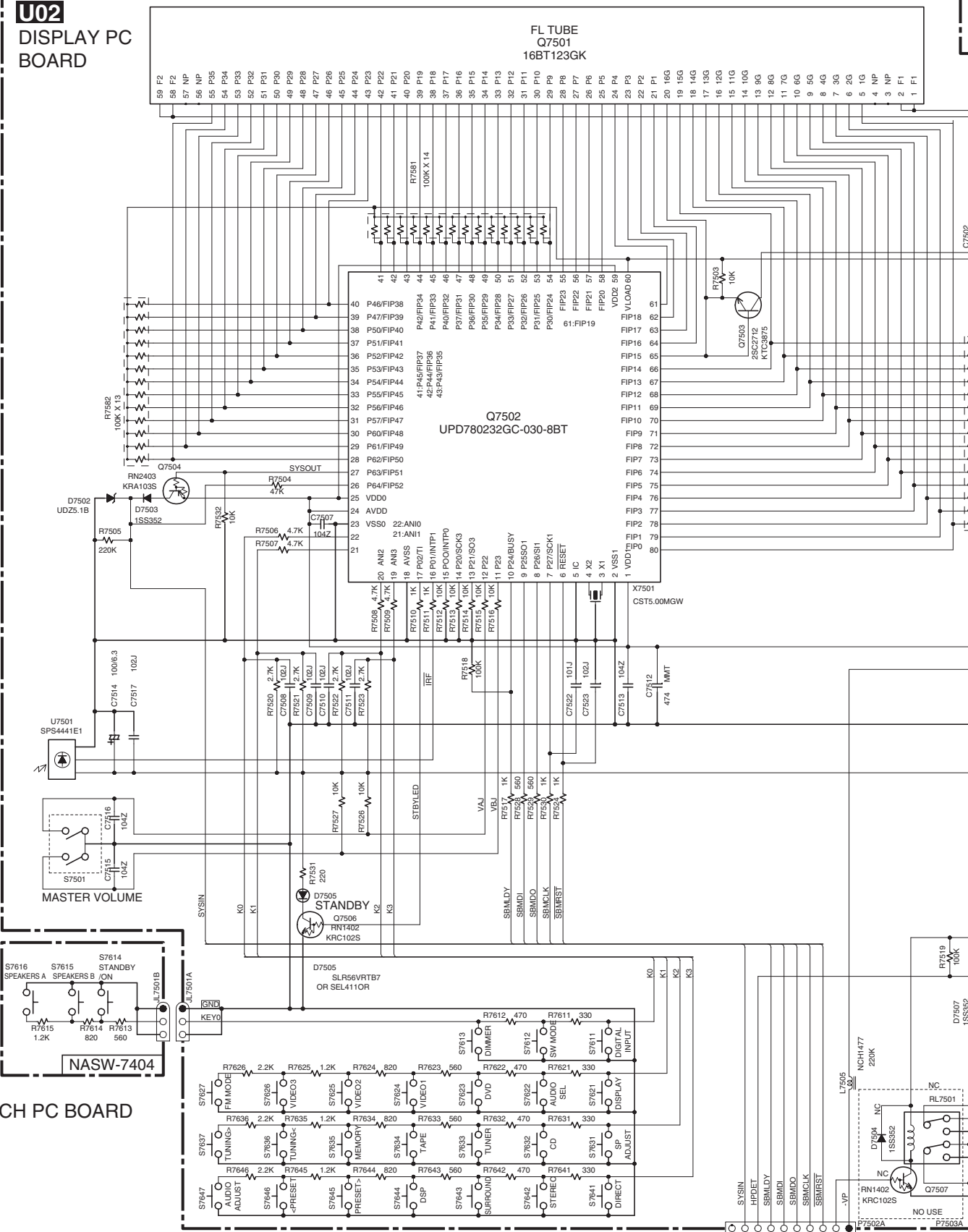
FL TUBE
Q7501
16BT123GK

2

3

4

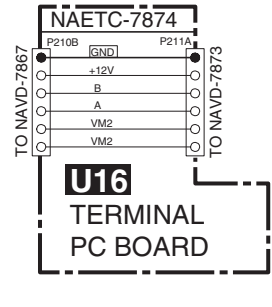
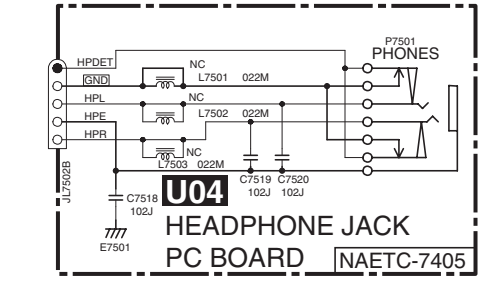
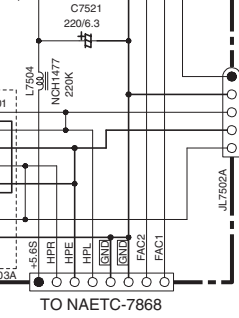
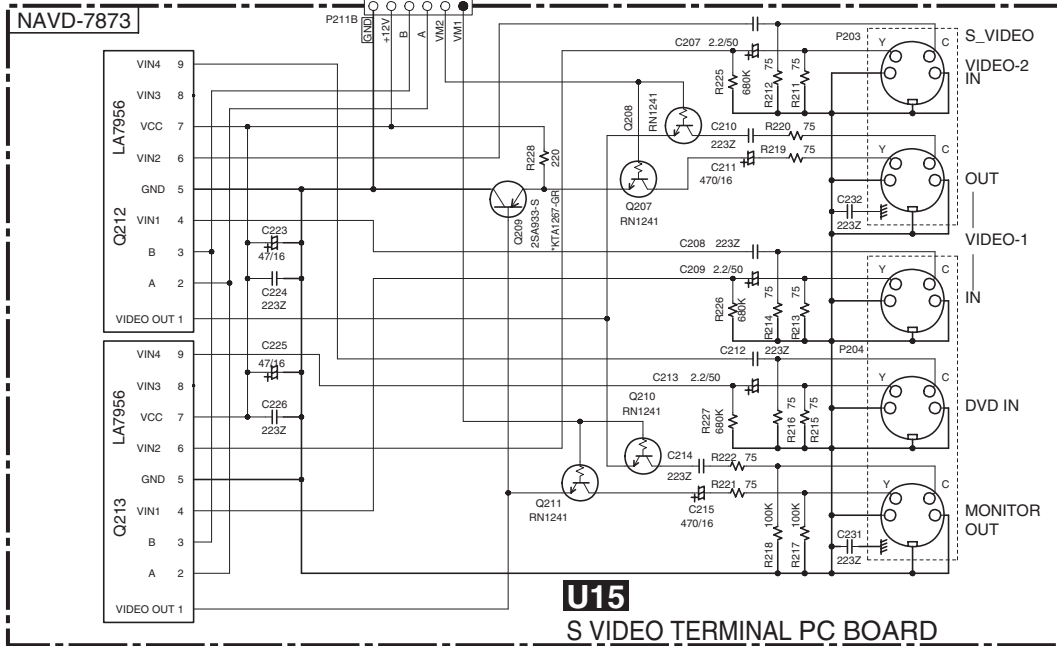
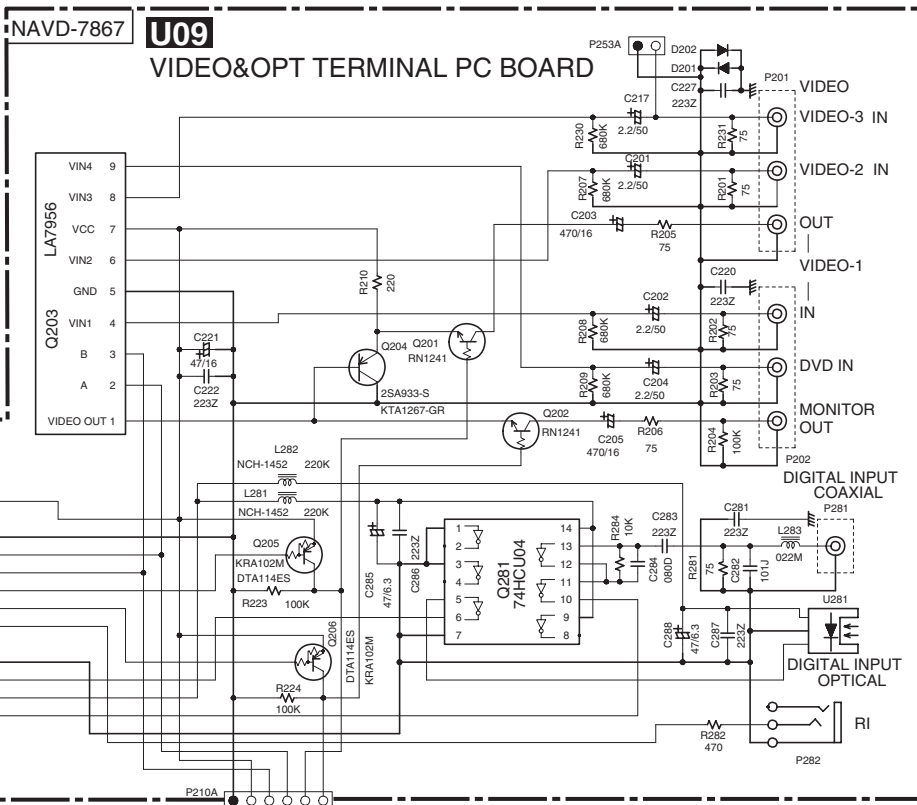
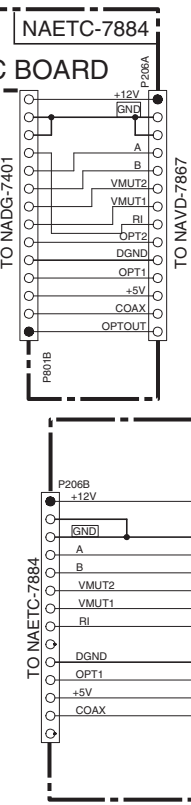
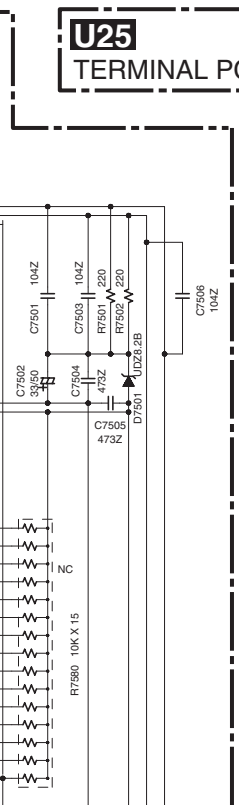
5



NASW-7404

U03
SWITCH PC BOARD

TO NADG-7401



<Notes>
NC=No mount of parts.

NOTE

- THE COMPONENTS IDENTIFIED BY MARK ARE CRITICAL FOR SAFETY. REPLACE ONLY WITH PART NUMBER SPECIFIED.
- VOLTAGE (MEASURED WITH VOLTMETER) IS DC VOLTAGE (NO INPUT SIGNAL).
- ALL PNP TRANSISTORS ARE EQUIVALENT TO 2SA1015-GR UNLESS OTHERWISE NOTED.
- ALL NPN TRANSISTORS ARE EQUIVALENT TO 2SC1815-GR UNLESS OTHERWISE NOTED.
- ALL DIODES ARE EQUIVALENT TO 1SS133 UNLESS OTHERWISE NOTED.
- ELECTROLYTIC CAPACITORS () ARE IN u F.W.V.
- ALL CAPACITORS ARE IN pF/50WV UNLESS OTHERWISE NOTED.
- EX) 030>39F 330>39pF 331>330F/333>0.033uF
- ALL RESISTORS ARE IN OHMS 1/4W/5% UNLESS OTHERWISE NOTED.
- THE THICK LINES ON PC BOARD ARE THE PRINTING SIDE OF THE PARTS.
- EX) PRINTING SIDE
- CIRCUIT IS SUBJECT TO CHANGE FOR IMPROVEMENT.
- < / > IS DC VOLTAGE, AT NO INPUT SIGNAL.

TO NAETC-7868

A

B

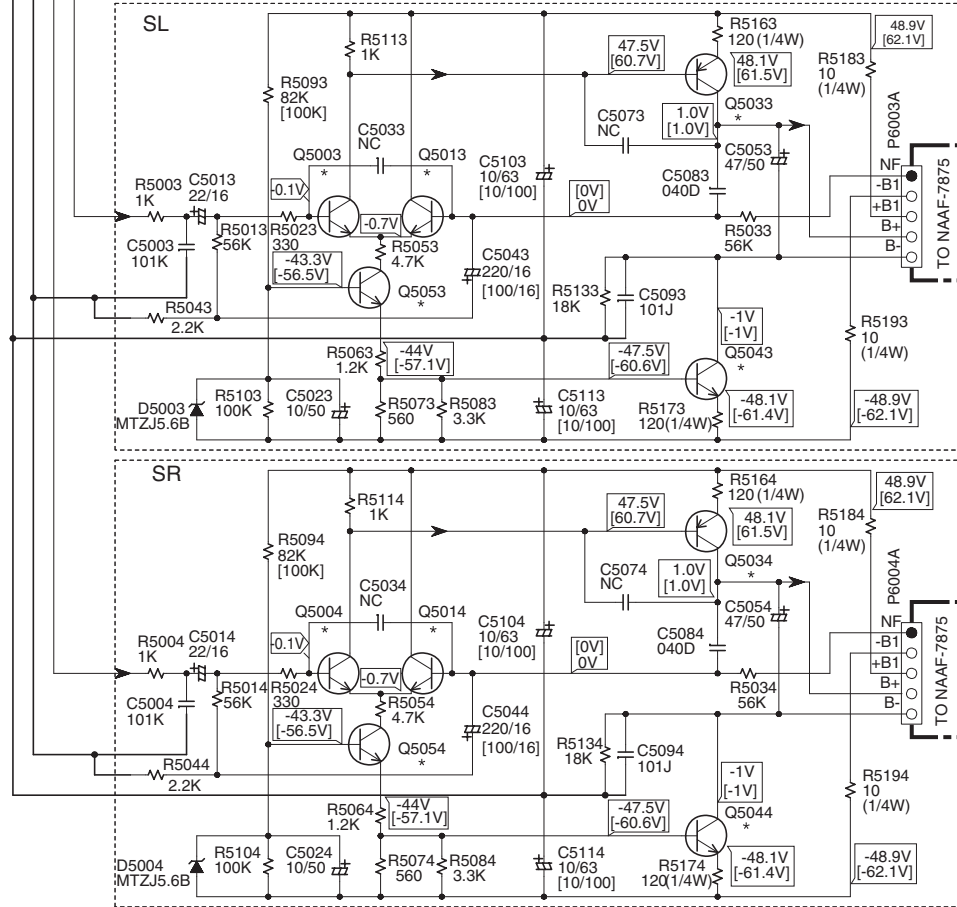
C

D

SCHEMATIC DIAGRAMS-3
DRIVER AMPLIFIER SECTION

NAAF-7866

U03
DRIVER
AMPLIFIER
PC BOARD



NOTE

- THE COMPONENTS IDENTIFIED BY MARK Δ ARE CRITICAL FOR SAFETY. REPLACE ONLY WITH PART NUMBER SPECIFIED.
- VOLTAGE (MEASURED WITH VOLTMETER) \langle IS DC VOLTAGE, (NO INPUT SIGNAL).
- ALL PNP TRANSISTORS ARE EQUIVALENT TO 2SA1015-GR UNLESS OTHERWISE NOTED.
- ALL NPN TRANSISTORS ARE EQUIVALENT TO 2SC1815-GR UNLESS OTHERWISE NOTED.
- ALL DIODES ARE EQUIVALENT TO 1SS133 UNLESS OTHERWISE NOTED.
- ELECTROLYTIC CAPACITORS (---) ARE IN μ F/VV.
- ALL CAPACITORS ARE IN pF/50WV UNLESS OTHERWISE NOTED.
EX) 030 \rightarrow 3pF 330 \rightarrow 33pF 331 \rightarrow 330pF 333 \rightarrow 0.033 μ F
- ALL RESISTORS ARE IN OHMS 1/4WATTS UNLESS OTHERWISE NOTED.
- THE THICK LINES ON PC BOARD ARE THE PRINTING SIDE OF THE PARTS.
EX) --- PRINTING SIDE
- CIRCUIT IS SUBJECT TO CHANGE FOR IMPROVEMENT.
- \cdot IS DC VOLTAGE, AT NO INPUT SIGNAL.

<Notes>

NC=No mount of parts.
[] Values are for HT-R420

Refer to the following table about the parts displayed by mark" *"

NO.	TX-SR402/ TX-SR8240	HT-R420
Q5000-04, 5010-14	KTC3200-BL OR 2SC1775A-E,F OR 2SC1845-E	KTC3200-BL OR 2SC1775A-E,F OR 2SC1845-E
Q5030-34	KTA1024-Y,O OR 2SA949-Y,O	KTA1024-Y,O OR 2SA949-Y,O
Q5040-44	KTC3206-Y,O OR 2SC2229-Y,O	KTC3206-Y,O OR 2SC2229-Y,O
Q5050-54	KTC3199-GR,2SC1740S-R,S,2SC2458-GR	KTC3200-BL,GR OR 2SC1775A-E,F OR 2SC1845-E,F

1

2

3

4

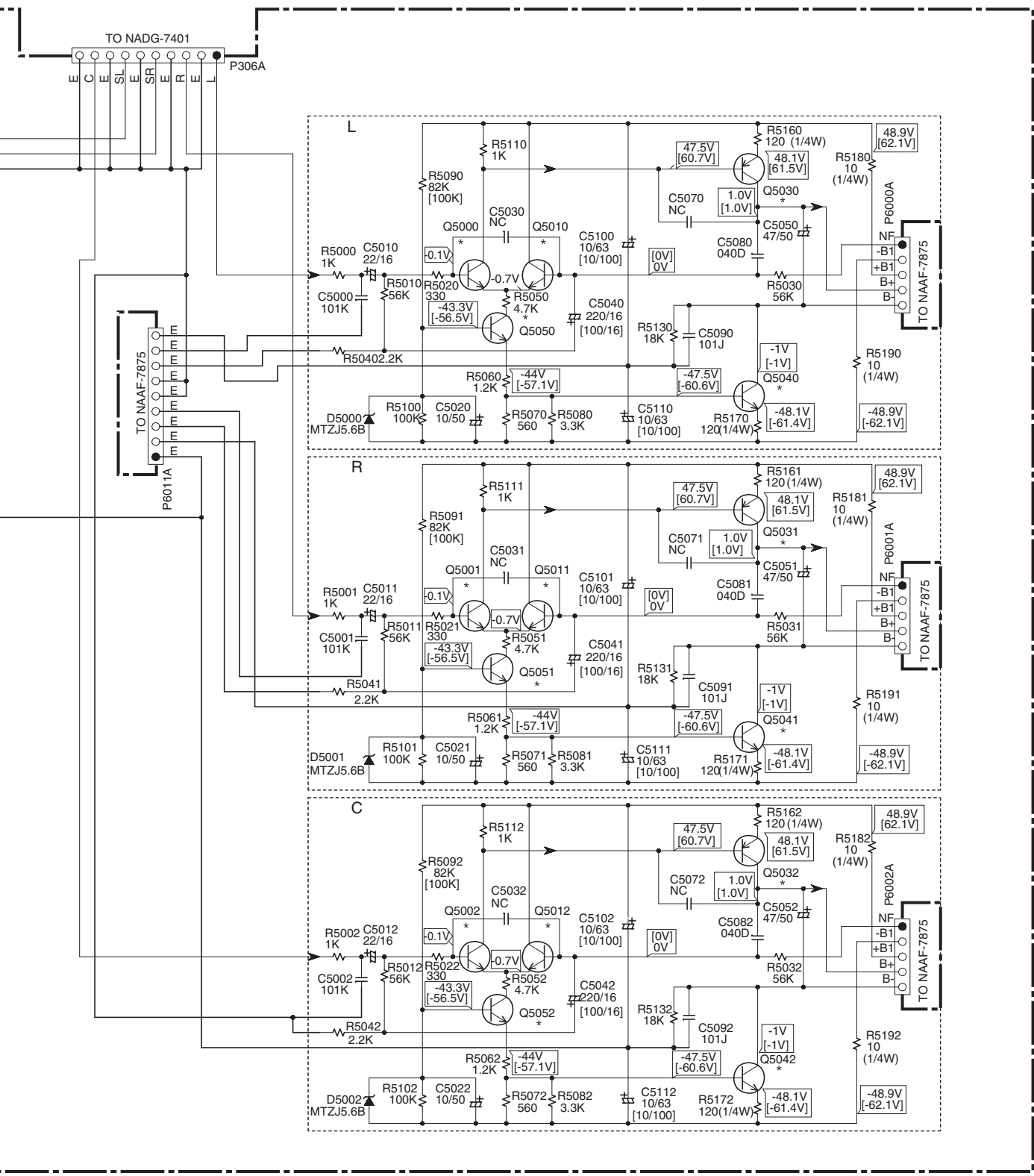
5

E

F

G

H



A

B

C

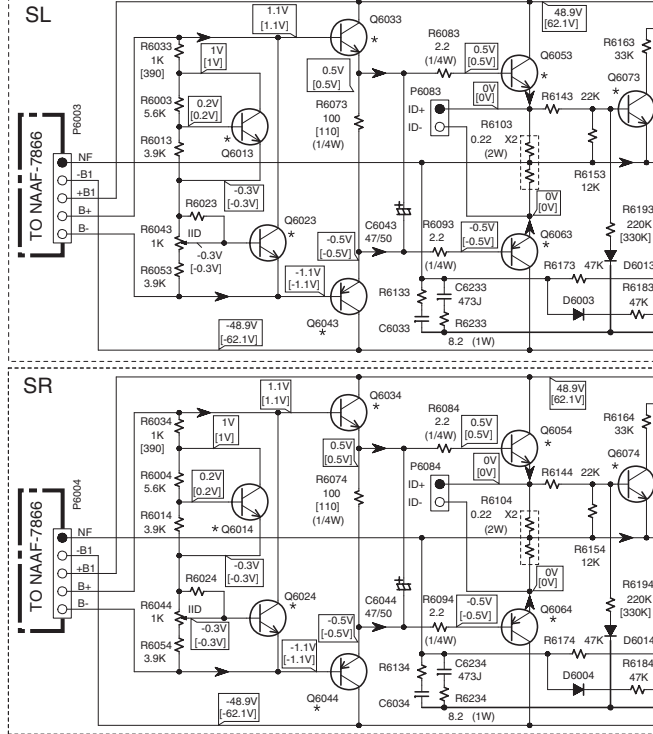
D

**SCHEMATIC DIAGRAMS-4
POWER AMPLIFIER SECTION**

NAAF-7875

U17

POWER AMPLIFIER PC BOARD



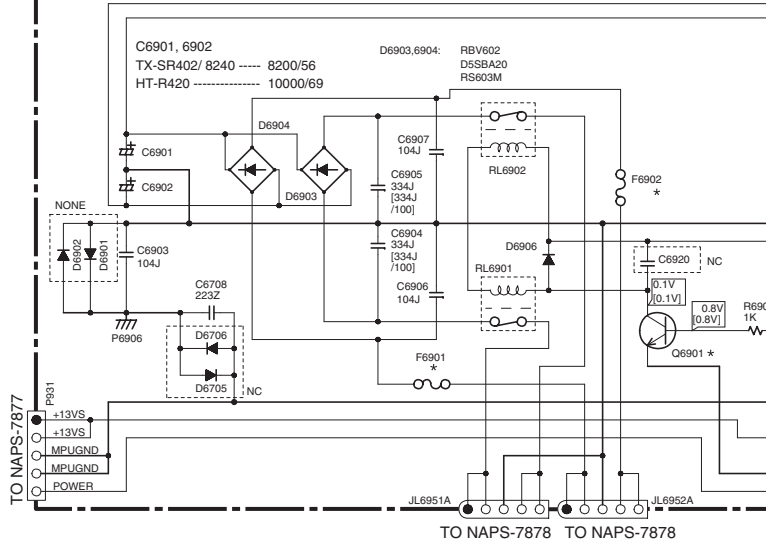
<Notes>

NC=No mount of parts.

[] Values are for HT-R420

Refer to the following table about the parts displayed by mark "*"

NO.	TX-SR402/TX-SR8240	HT-R420
Q6010-6014	2SC1740S-R,S	2SC1740S-R,S
Q6020-6024	2SC1740S-R,S	2SC1740S-R,S
Q6030-6031	KTD2061-Y OR 2SC5171	KTD2061-Y OR 2SC5171
Q6040-6041	KTB1369-Y OR 2SA1930	KTB1369-Y OR 2SA1930
Q6032-6034	2SC5511-E OR KTD2061-Y OR 2SC5171	KTD2061-Y OR 2SC5171
Q6042-6044	2SA2005-E OR KTB1369-Y OR 2SA1930	KTB1369-Y OR 2SA1930
Q6050-6051	2SC5198-R,O OR MN130S-Y,P,O	2SC5242-R,O OR MN150S-Y,P,O
Q6052-6054	MN100S-Y,P,O OR KTD1047-Y,O	KTC5242-O,R OR MN130S-Y,P,O OR 2SC5242-O,R
Q6060-6061	2SA1941-R,O OR MP130S-Y,P,O	2SA1962-R,O OR MP150S-Y,P,O
Q6062-6064	MP100P-Y,P,O OR KTB817-Y,O	KTA1962-O,R OR MP130S-Y,P,O OR 2SA1962-O,R
Q6070-6074	KTC3200-BL,GR OR 2SC1775A-E,F OR 2SC1845-E,F	2SC2631-R,S
Q6601-6603,Q6901	KTC3199-GR,2SC1740S-R,S,2SC2458-GR	KTC3199-GR,2SC1740S-R,S,2SC2458-GR
Q6701,6702	KTC3200-BL,GR OR 2SC1775A-E,F OR 2SC1845-E,F	KTC3200-BL,GR OR 2SC1775A-E,F OR 2SC1845-E,F
Q6703	KTA1268-GR,BL OR 2SA992-E,F	KTA1268-GR,BL OR 2SA992-E,F
Q6303	KTA1267-GR OR 2SA933S-R,S	KTA1267-GR OR 2SA933S-R,S



NOTE

THE COMPONENTS IDENTIFIED BY MARK **▲** ARE CRITICAL FOR SAFETY. REPLACE ONLY WITH PART NUMBER SPECIFIED.
 -VOLTAGE (MEASURED WITH VOLT METER) **◁** IS DC VOLTAGE (NO INPUT SIGNAL)
 -ALL PNP TRANSISTORS ARE EQUIVALENT TO 2SA1015-GR UNLESS OTHERWISE NOTED.
 -ALL NPN TRANSISTORS ARE EQUIVALENT TO 2SC1815-GR UNLESS OTHERWISE NOTED.
 -ALL DIODES ARE EQUIVALENT TO 1S133 UNLESS OTHERWISE NOTED.
 -ELECTROLYTIC CAPACITORS (**⌊**) ARE IN u/F/W.
 -ALL CAPACITORS ARE IN pF/50V/V UNLESS OTHERWISE NOTED.
 EX) 030u 3pF 330u 33pF 331u 330pF 333u 0.033uF
 -ALL RESISTORS ARE IN OHMS 1/4WATTS UNLESS OTHERWISE NOTED.
 -THE THICK LINES ON PC BOARD ARE THE PRINTING SIDE OF THE PARTS.
 EX) **○ ○ ○ ○** PRINTING SIDE
 -CIRCUIT IS SUBJECT TO CHANGE FOR IMPROVEMENT.
 - / IS DC VOLTAGE, AT NO INPUT SIGNAL.

Refer to the following table about the part

TYPE	F6901	F6902
DD, DC	8A-UL,8A-T/UL-ST2	8A-UL
PA, PT	8A-EAK	8A-EAK
GR	8A-EAK	8A-EAK
WT	8A-EAK	8A-EAK

1

2

3

4

5

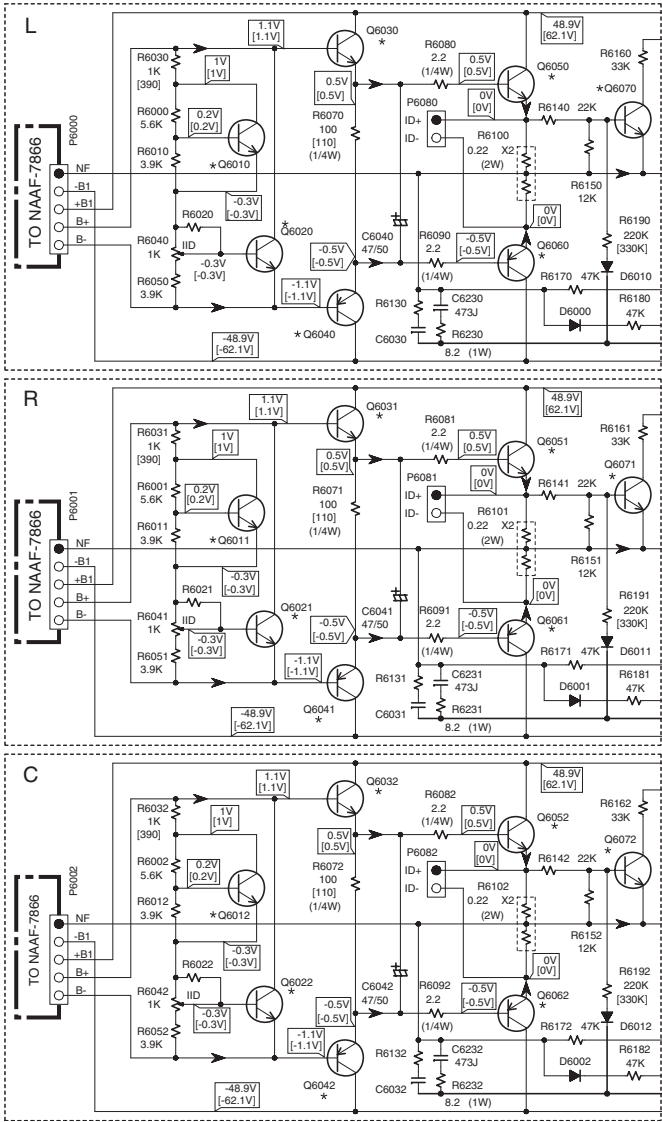
TO NAPS-7878 TO NAPS-7878

E

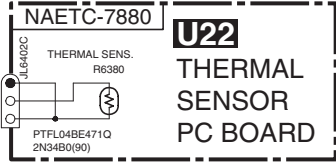
F

G

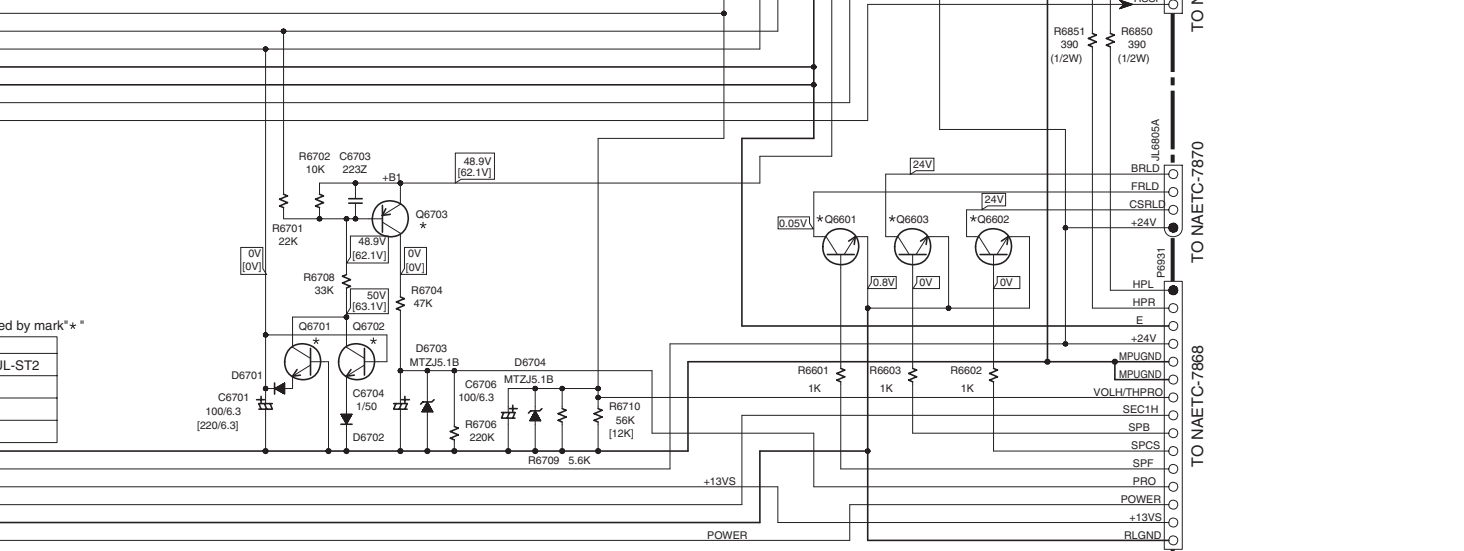
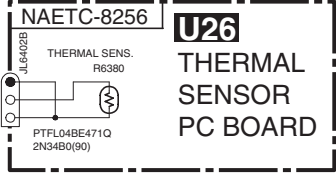
H



TX-SR8240 MGR
TX-SR402 MGR
HT-R420 MPA, MPT, MWT



HT-R420 MDC, MDD



Parts displayed by mark *

F6902
8A-UL,8A-T/UL-ST2
8A-EAK
8A-EAK
8A-EAK

C6701	100/6.3	[220/6.3]
D6701		
D6702		
D6703	MTZJ5.1B	
D6704	MTZJ5.1B	
D6706	220K	
D6709	5.6K	

A

B

C

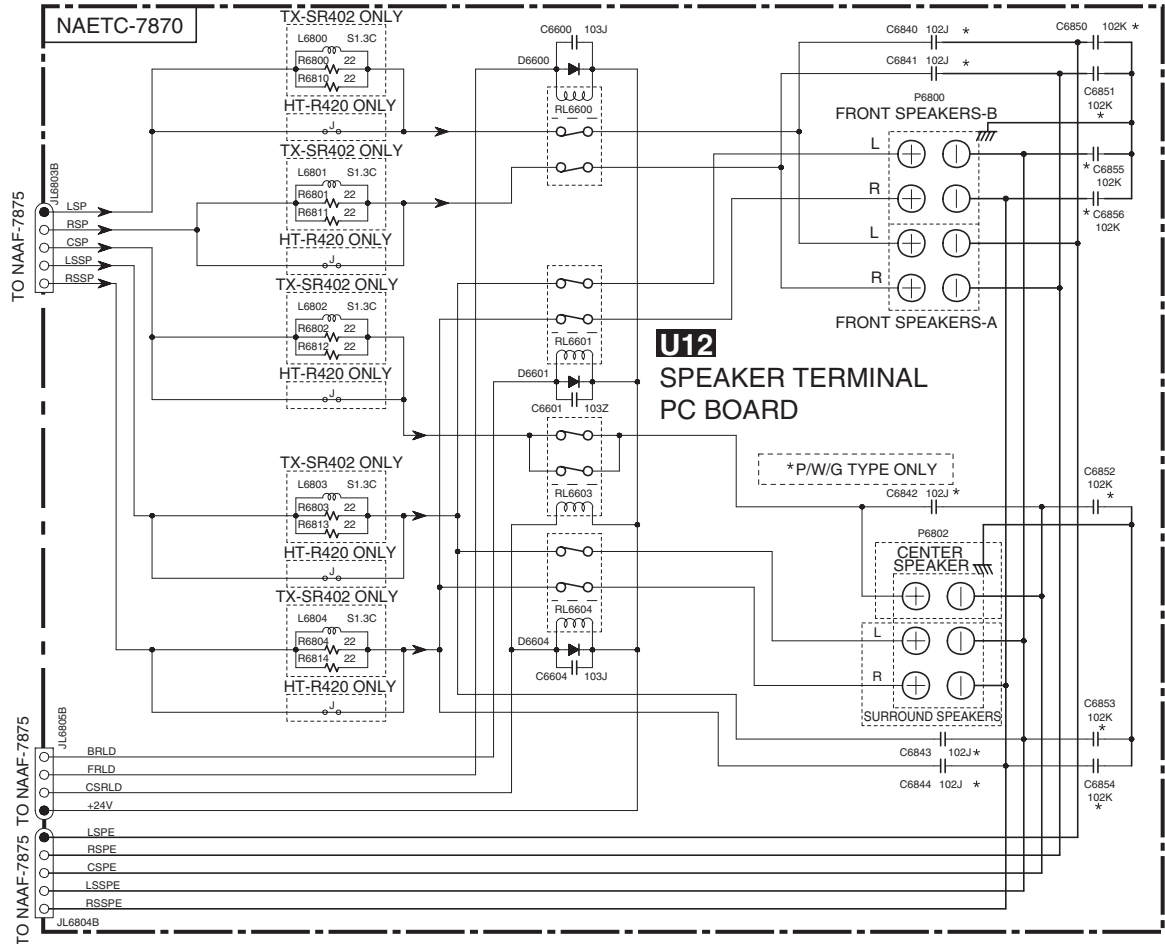
D

SCHEMATIC DIAGRAM-5 SPEAKER TERMINAL & POWER SUPPLY SECTION

1

2

3



NOTE
-THE COMP
-REPLACE
-VOLTAGE
-ALL PNP T
-ALL NPN T
-ALL DIODE
-ELECTROL
-ALL CAPAC
EX) 030 > 3
-ALL RESIS
-THE THICK
EX) []
-CIRCUIT IS
- IS DC V

THIS SYM
THAT THE
FOR CONT
HAZARD R
RATING RE

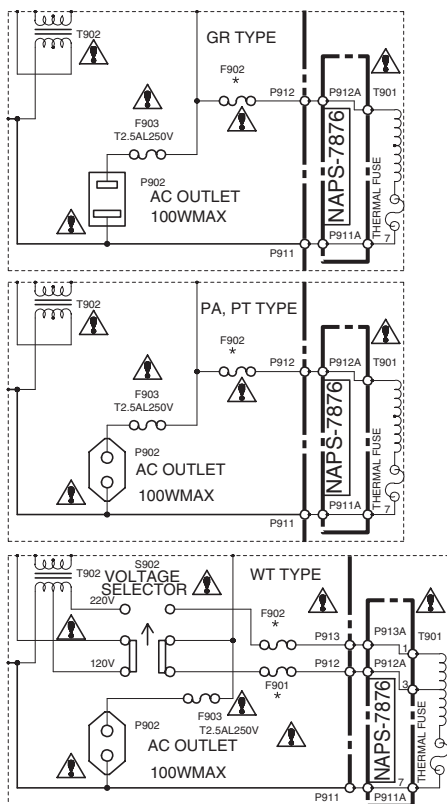
CE SYMB
E LENT. F
QUE DES
INDIQUE

<Notes>
NC=No n

Refer to t

TYPE	
DD, DC	
PA, PT	
GR	
JJ	
WT	

4



TYPE	AC IN
DD, DC	120V 60HZ
PA, PT	230-240V 50HZ
GR	220V 50/60HZ
JJ	-
WT	120V/220V 50/60HZ

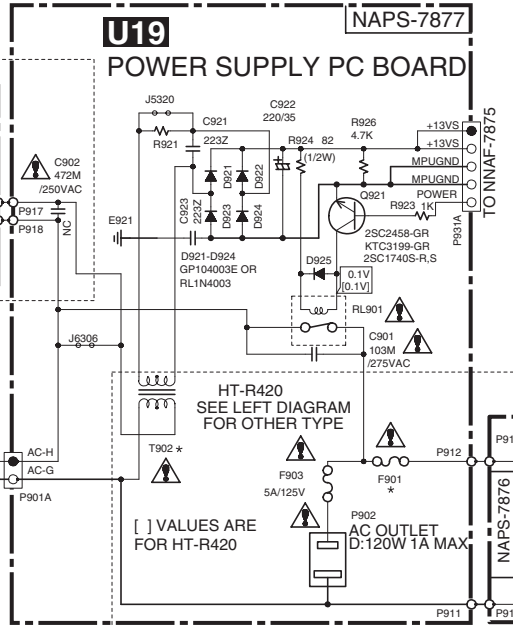
Refer to the following table about the parts displayed by mark * **

T902		
DD, DC	NPT-1492D	
PA, PT	NPT-1358P	
GR	NPT-1358DG	
JJ	-	
WT	NPT-1358DG	

TX-SR402/TX-SR8240	F901	F902
DD, DC	-	-
PA, PT	-	-
GR	NO	T3.15A/250V
JJ	-	-
WT	-	-





HT-R420	F901	F902
DD, DC	8A/125V	NO
PA, PT	NO	T3.15A/250V
WT	8A/125V	T3.15A/250V

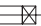
5




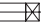
U18
TERMIN
PC BOA


NOTE

COMPONENTS IDENTIFIED BY MARK  ARE CRITICAL FOR SAFETY. REPLACE ONLY WITH PART NUMBER SPECIFIED.
 VOLTAGE (MEASURED WITH VOLTMETER)  IS DC VOLTAGE (NO INPUT SIGNAL).
 PNP TRANSISTORS ARE EQUIVALENT TO 2SA1015-GR UNLESS OTHERWISE NOTED.
 NPN TRANSISTORS ARE EQUIVALENT TO 2SC1815-GR UNLESS OTHERWISE NOTED.
 DIODES ARE EQUIVALENT TO 1SS133 UNLESS OTHERWISE NOTED.
 ELECTROLYTIC CAPACITORS () ARE IN u F/WV.
 CAPACITORS ARE IN pF/50V UNLESS OTHERWISE NOTED.
 RESISTORS ARE IN OHMS/1/4WATTS UNLESS OTHERWISE NOTED.
 THICK LINES ON PC BOARD ARE THE PRINTING SIDE OF THE PARTS.
 PRINTING SIDE
 CIRCUIT IS SUBJECT TO CHANGE FOR IMPROVEMENT.
 IS DC VOLTAGE, AT NO INPUT SIGNAL.

 SYMBOL LOCATED NEAR THE FUSE INDICATES THE FUSE USED IS SLOW OPERATING TYPE FOR CONTINUED PROTECTION AGAINST FIRE HAZARD. REPLACE WITH SAME TYPE FUSE. FOR FUSE RATING REFER TO THE MARKING ADJACENT TO THE SYMBOL.

CAUTION

 FOR CONTINUED PROTECTION AGAINST FIRE HAZARD, REPLACE ONLY WITH FUSE OF SAME TYPE AND RATING INDICATED.

 SYMBOLE INDIQUE QUE LE FUSIBLE UTILISE EST A LENTE POUR UNE PROTECTION PERMANENTE CONTRE LES RISQUES D'INCENDIE. REMPLACER UNIQUEMENT PAR UN FUSIBLE DE MEME TYPE ET CALIBRATION COMME INDIQUE.

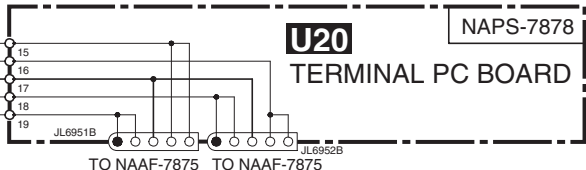
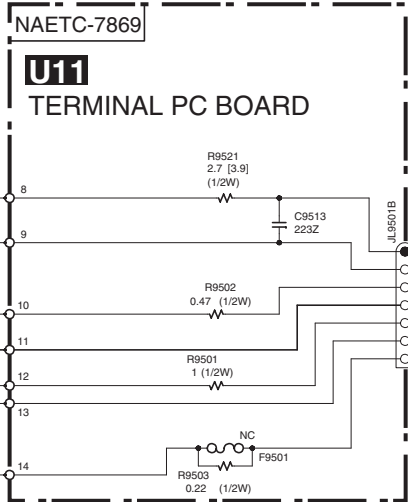
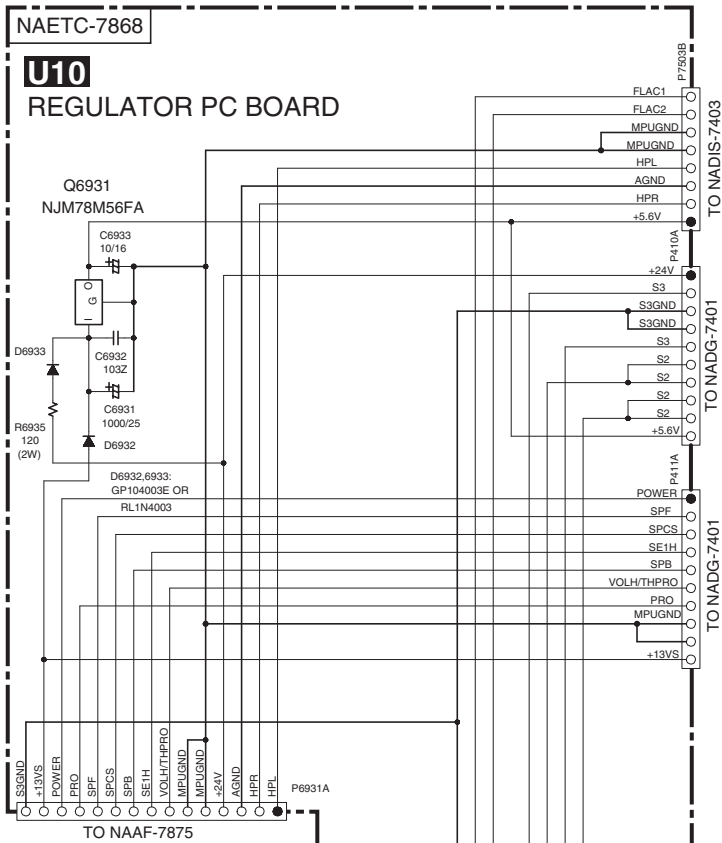
ATTENTION

 AFIN D'ASSURER UNE PROTECTION PERMANENTE CONTRE LES RISQUES D'INCENDIE, REMPLACER UNIQUEMENT PAR UN FUSIBLE DE MEME TYPE ET CALIBRATION COMME INDIQUE.

Notes

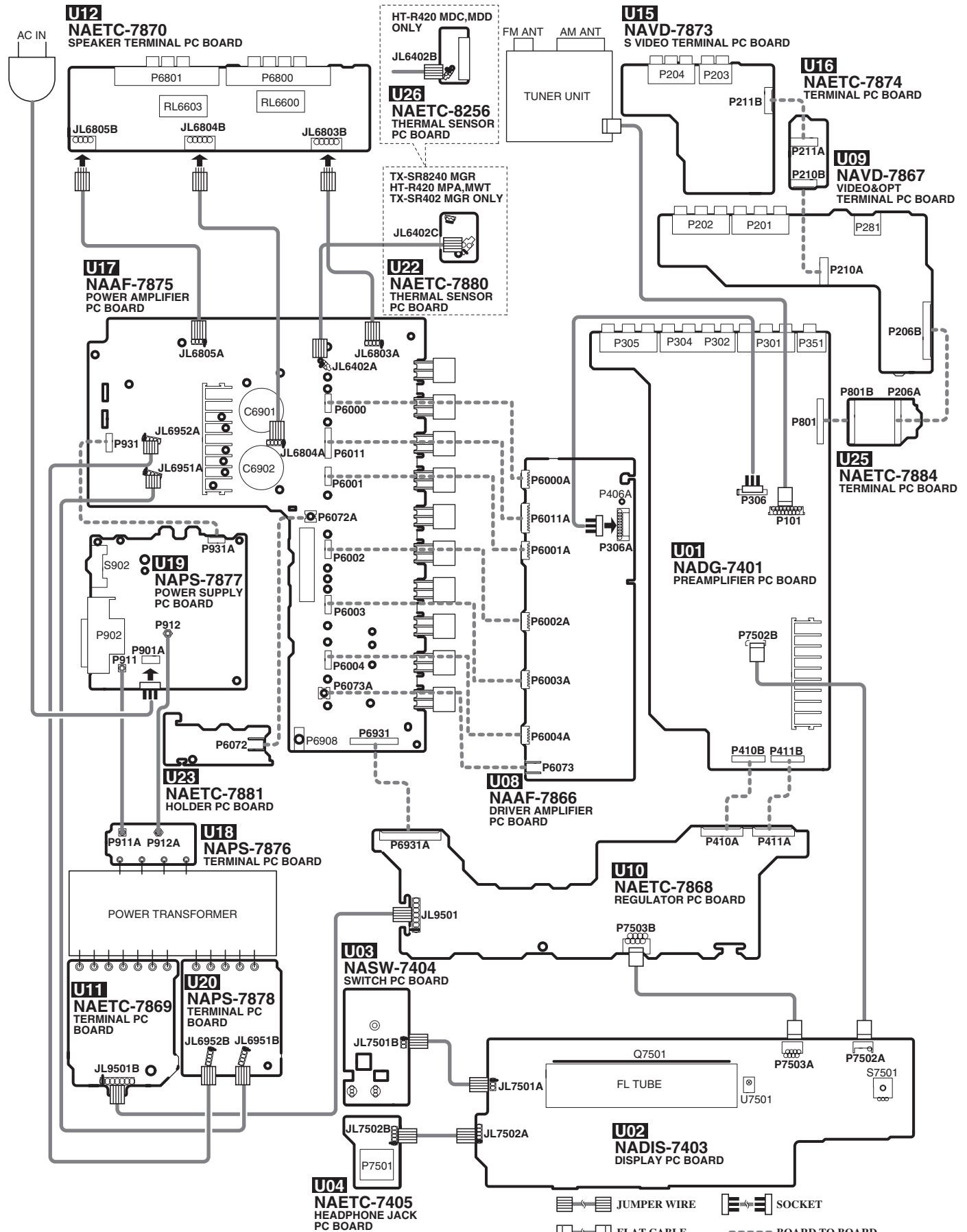
-No mount of parts.

Refer to the following table about the parts displayed by mark* **

PE	TX-SR402/8240	HT-R420
DC	-	NPT-1491D
PT	-	NPT-1491P
1	NPT-1463G	-
2	-	-
3	-	NPT-1491DG



PC BOARD CONNECTION DIAGRAM



A

B

C

D

PRINTED CIRCUIT BOARD VIEWS-1

1

U1 PREAMPLIFIER PC BOARD (NADG-7401)

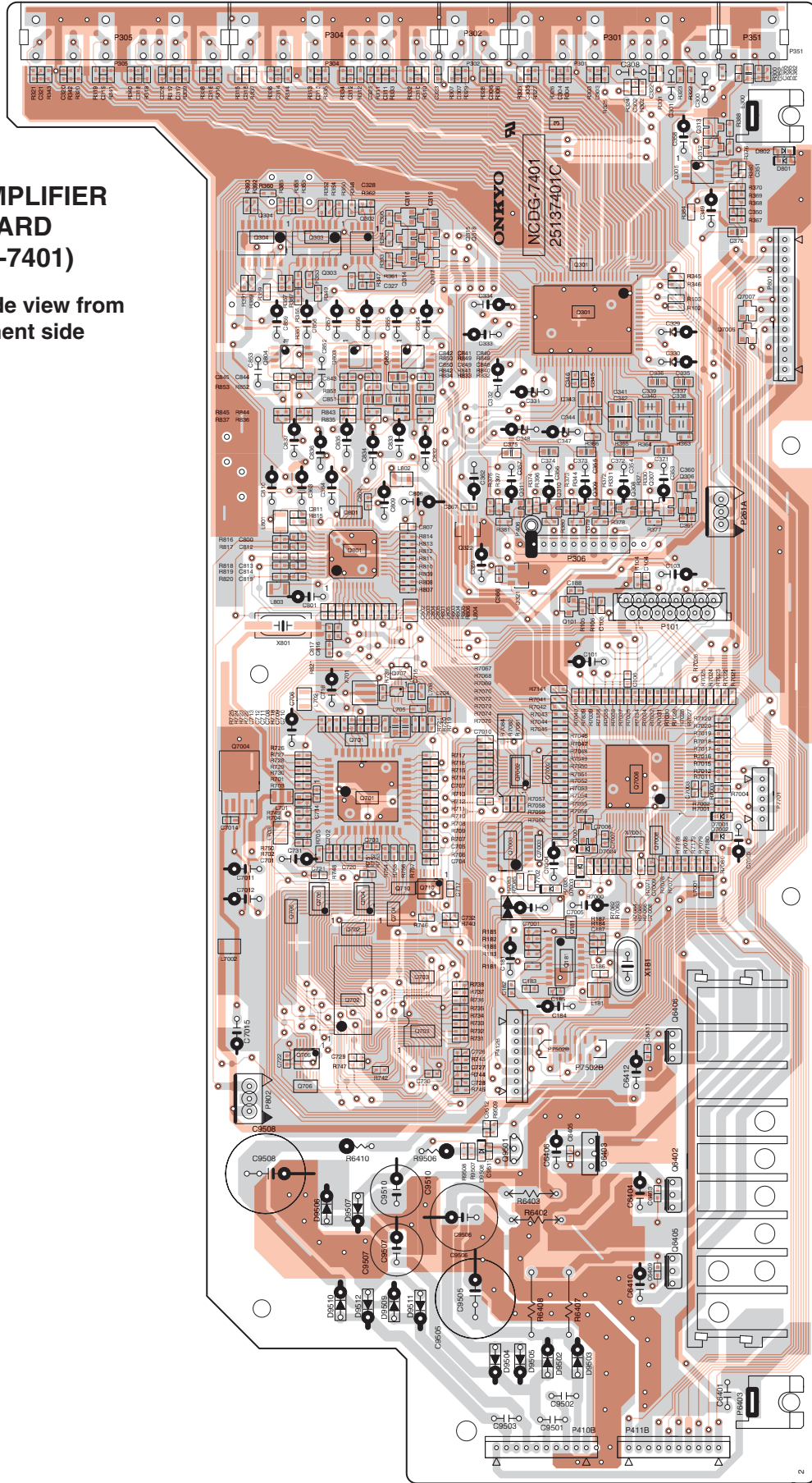
Both side view from
component side

2

3

4

5



A B C D

PRINTED CIRCUIT BOARD VIEWS-2

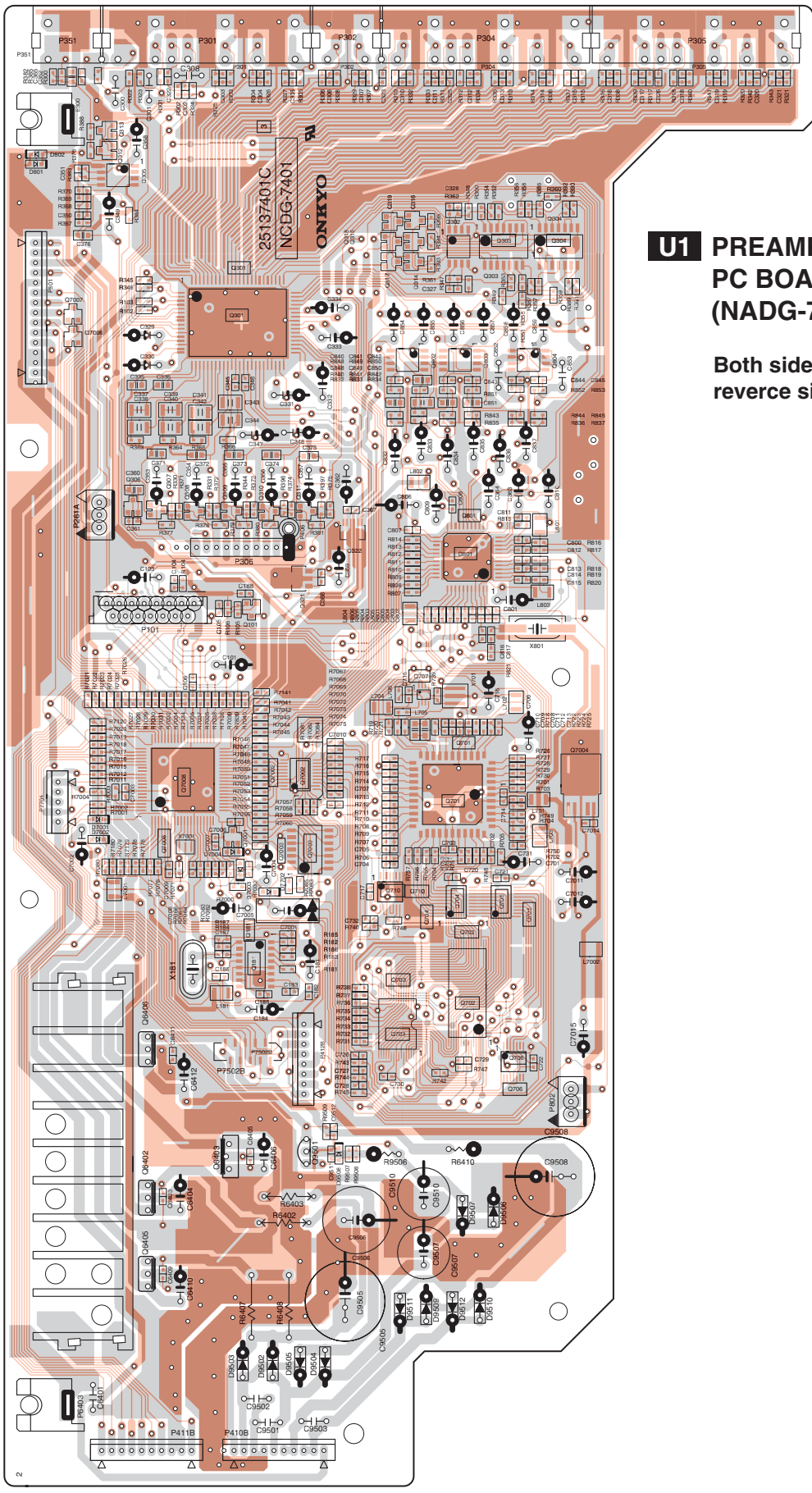
1

2

3

4

5



U1 PREAMPLIFIER
PC BOARD
(NADG-7401)

Both side view from
reverse side

A

B

C

D

PRINTED CIRCUIT BOARD VIEWS-3

U2 DISPLAY PC BOARD (NADIS-7403)

Component side view
from soldering side

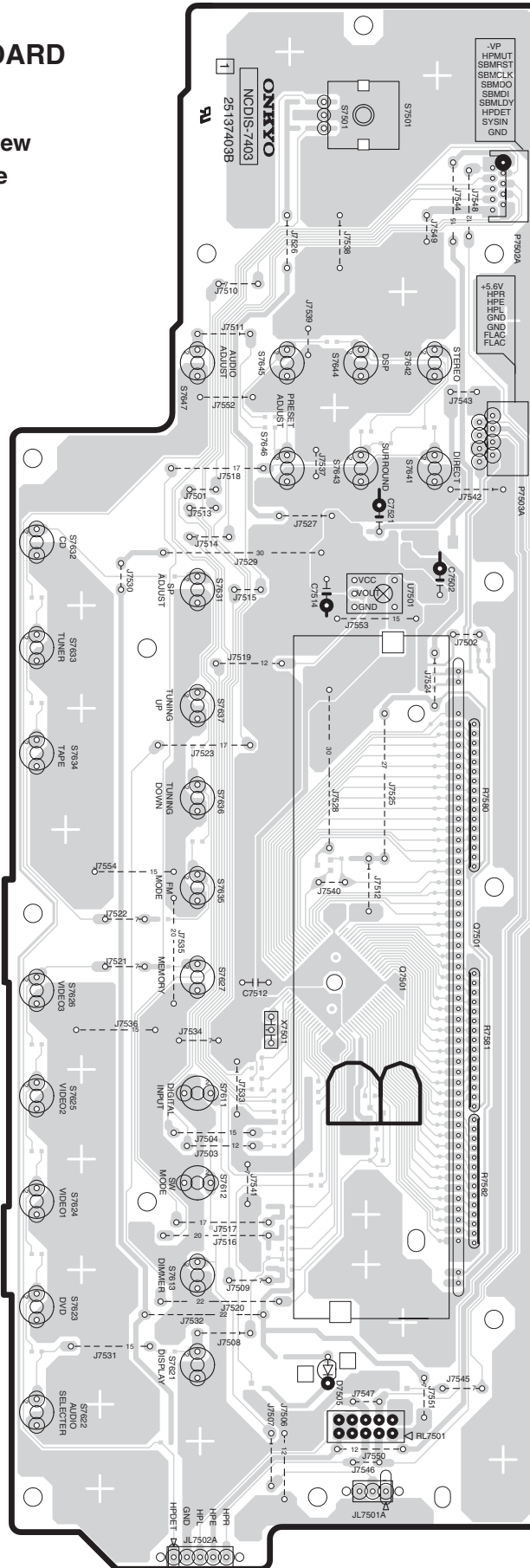
1

2

3

4

5



A

B

C

D

PRINTED CIRCUIT BOARD VIEWS-4

U2 DISPLAY PC BOARD (NADIS-7403)

Soldering side view

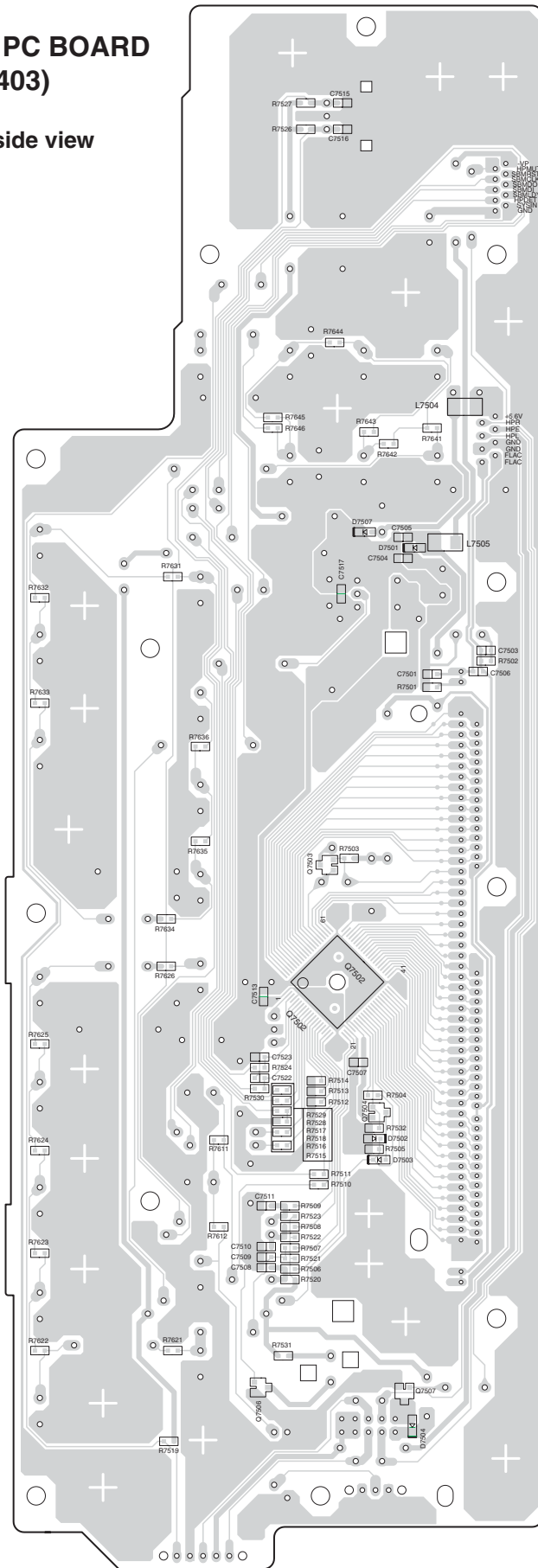
1

2

3

4

5



A

B

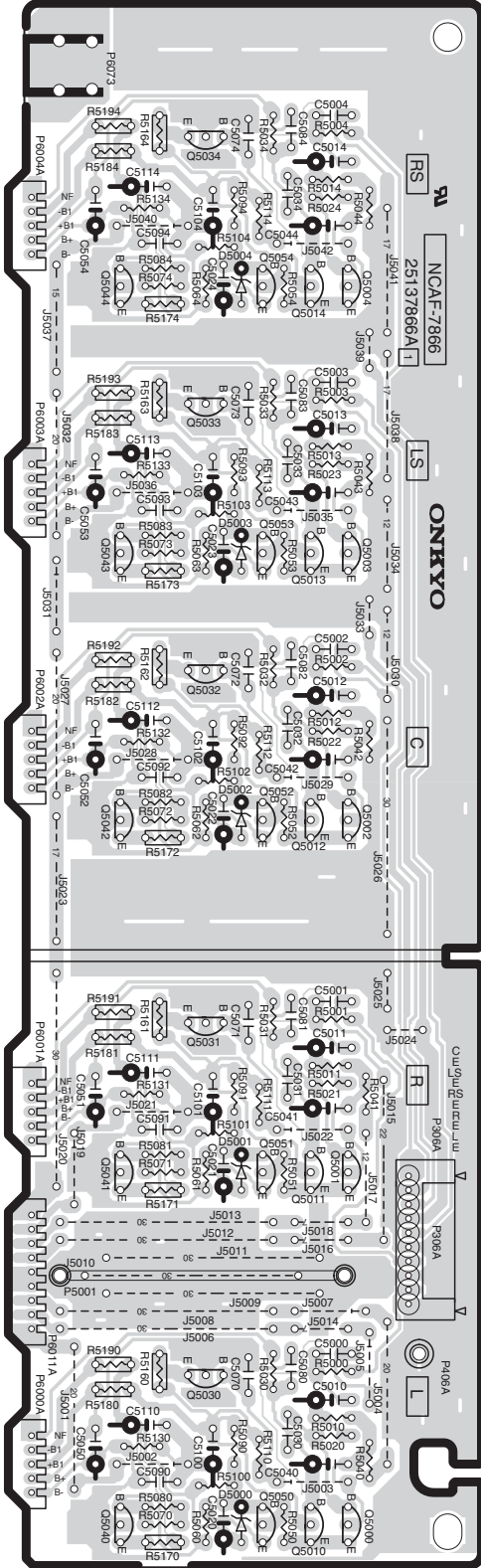
C

D

PRINTED CIRCUIT BOARD VIEWS-5

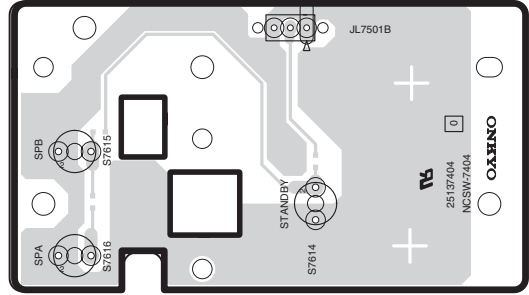
U8 DRIVER AMPLIFIER PC BOARD (NAAF-7866)

Component side view from soldering side

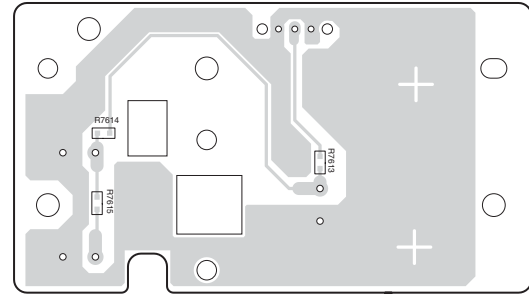


U3 SWITCH PC BOARD (NASW-7404)

Component side view from soldering side

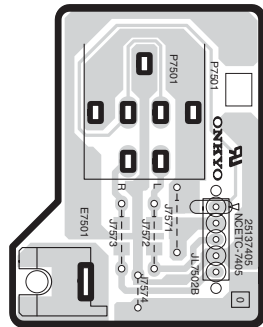


Soldering side view

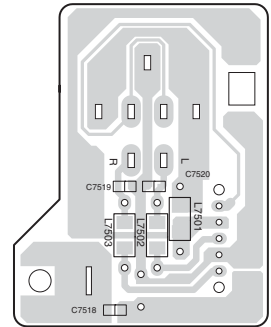


U4 HEADPHONE JACK PC BOARD (NAETC-7405)

Component side view from soldering side



Soldering side view



1

2

3

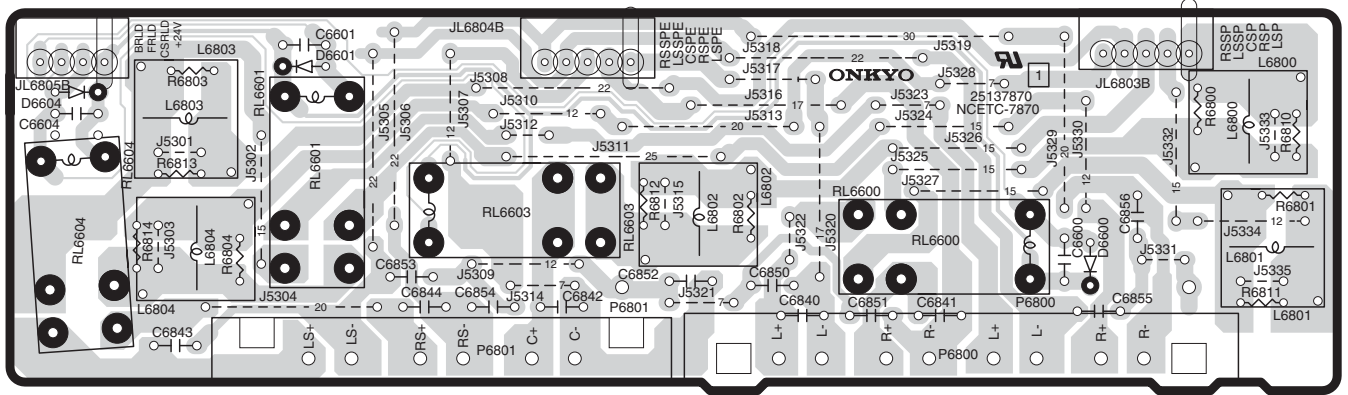
4

5

A B C D
PRINTED CIRCUIT BOARD VIEWS-7

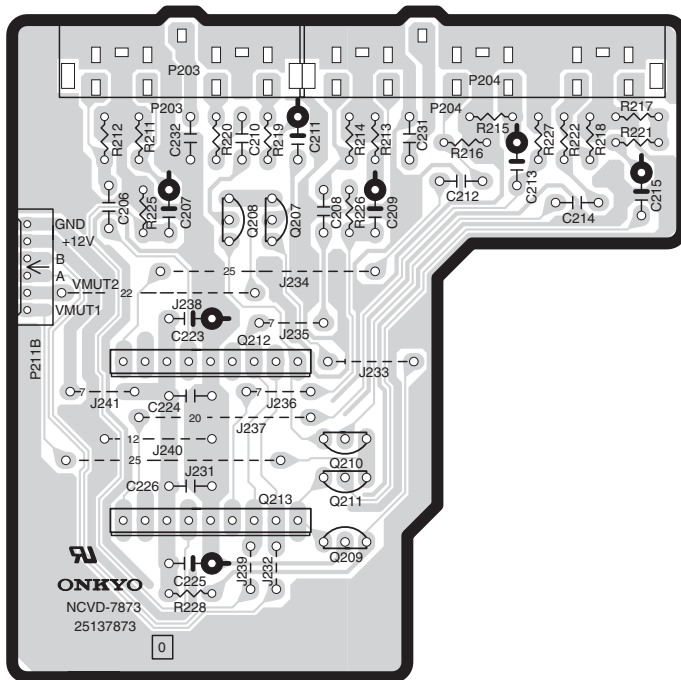
U12 SPEAKER TERMINAL PC BOARD
(NAETC-7870)

Component side view from soldering side



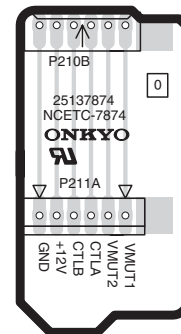
U15 S VIDEO TERMINAL PC BOARD
(NAVD-7873)

Component side view from soldering side



U16 TERMINAL PC BOARD
(NAETC-7874)

Component side view from soldering side



1

2

3

4

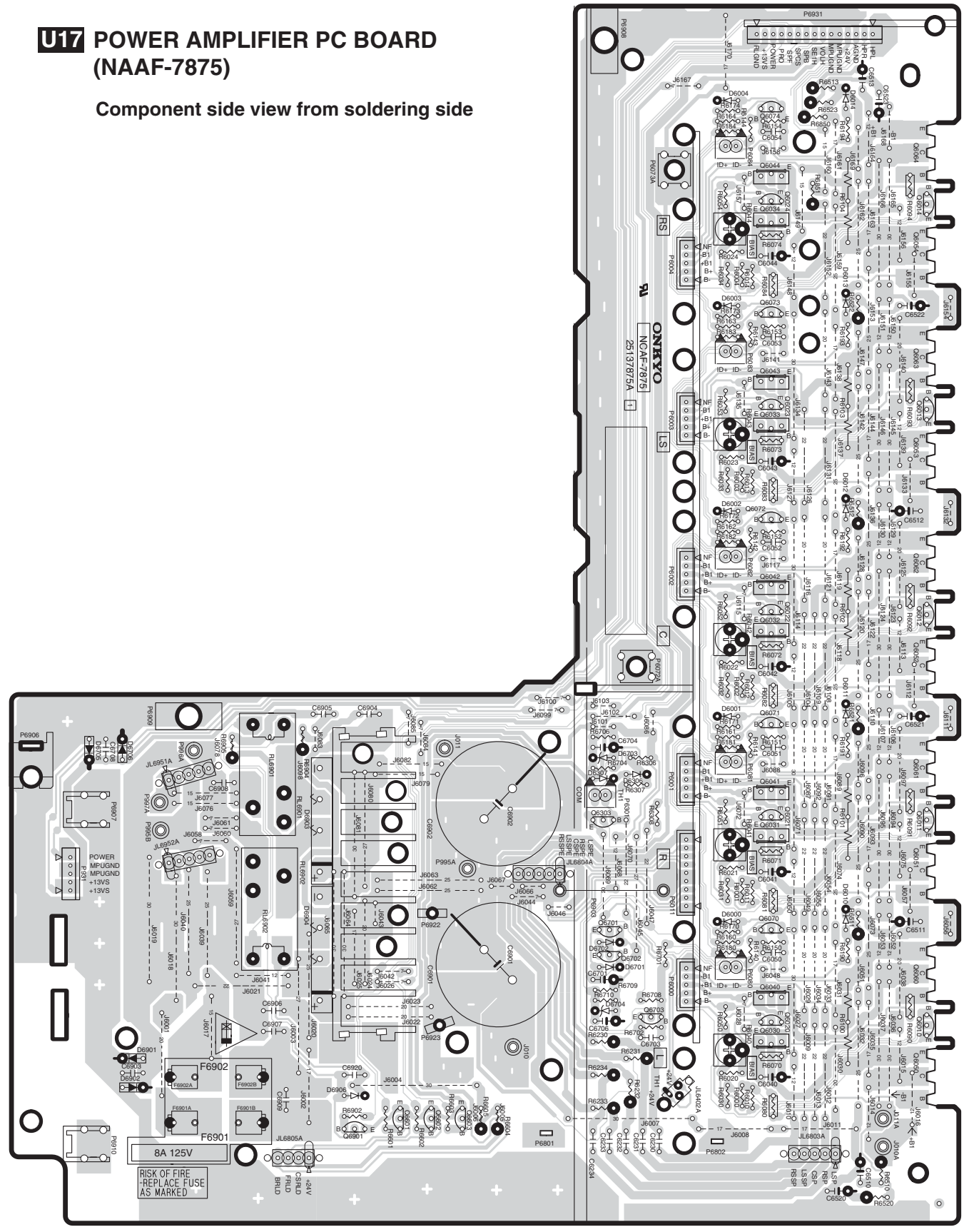
5

A B C D
PRINTED CIRCUIT BOARD VIEWS-8

U17 POWER AMPLIFIER PC BOARD
(NAAF-7875)

Component side view from soldering side

1
2
3
4
5



A

B

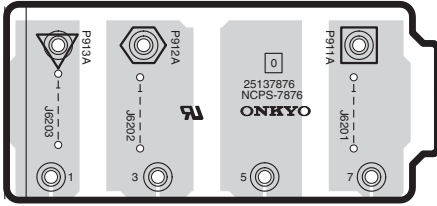
C

D

PRINTED CIRCUIT BOARD VIEWS-9

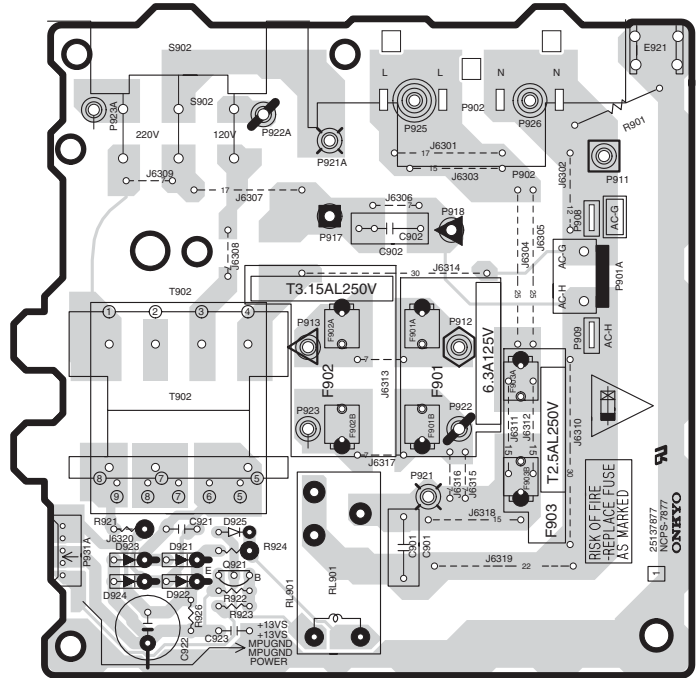
U18 TERMINAL PC BOARD
(NAPS-7876)

Component side view
from soldering side



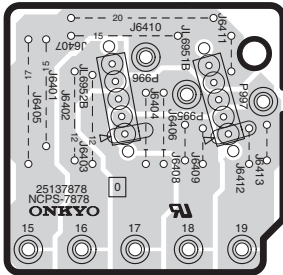
U19 POWER SUPPLY PC BOARD
(NAPS-7877)

Component side view
from soldering side



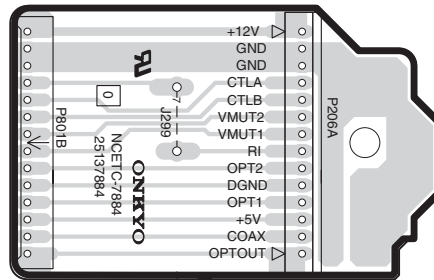
U20 TERMINAL PC BOARD
(NAPS-7878)

Component side view
from soldering side



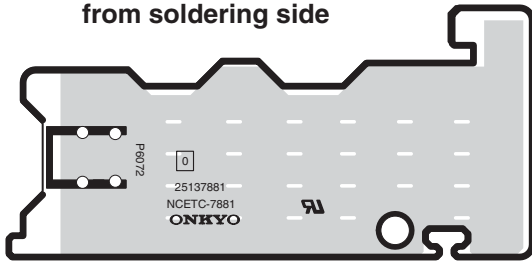
U25 TERMINAL PC BOARD
(NAETC-7884)

Component side view
from soldering side



U23 HOLDER PC BOARD
(NAETC-7881)

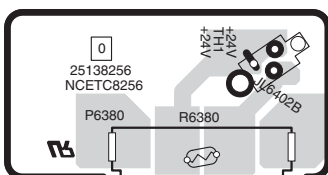
Component side view
from soldering side



U26 THERMAL SENSOR PC BOARD
(NAETC-8256)

HT-R420 MDD, MDC ONLY

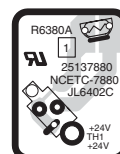
Component side view
from soldering side



U22 THERMAL SENSOR PC BOARD
(NAETC-7880)

TX-SR402 MGR, TX-SR8240 MGR
HT-R420 MPA, MWT, MPT ONLY

Component side view
from soldering side



1

2

3

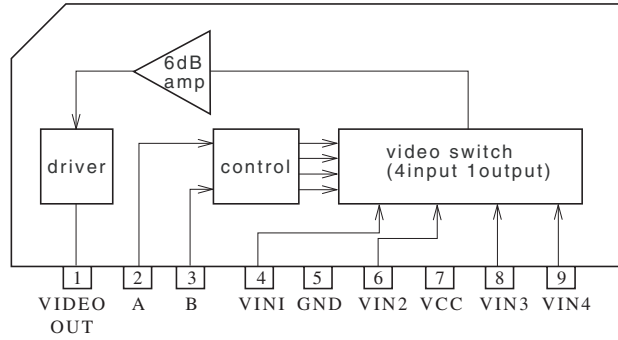
4

5

IC BLOCK DIAGRAM AND TERMINAL DESCRIPTIONS-1

Q213:LA7956(Video switch)

BLOCK DIAGRAM



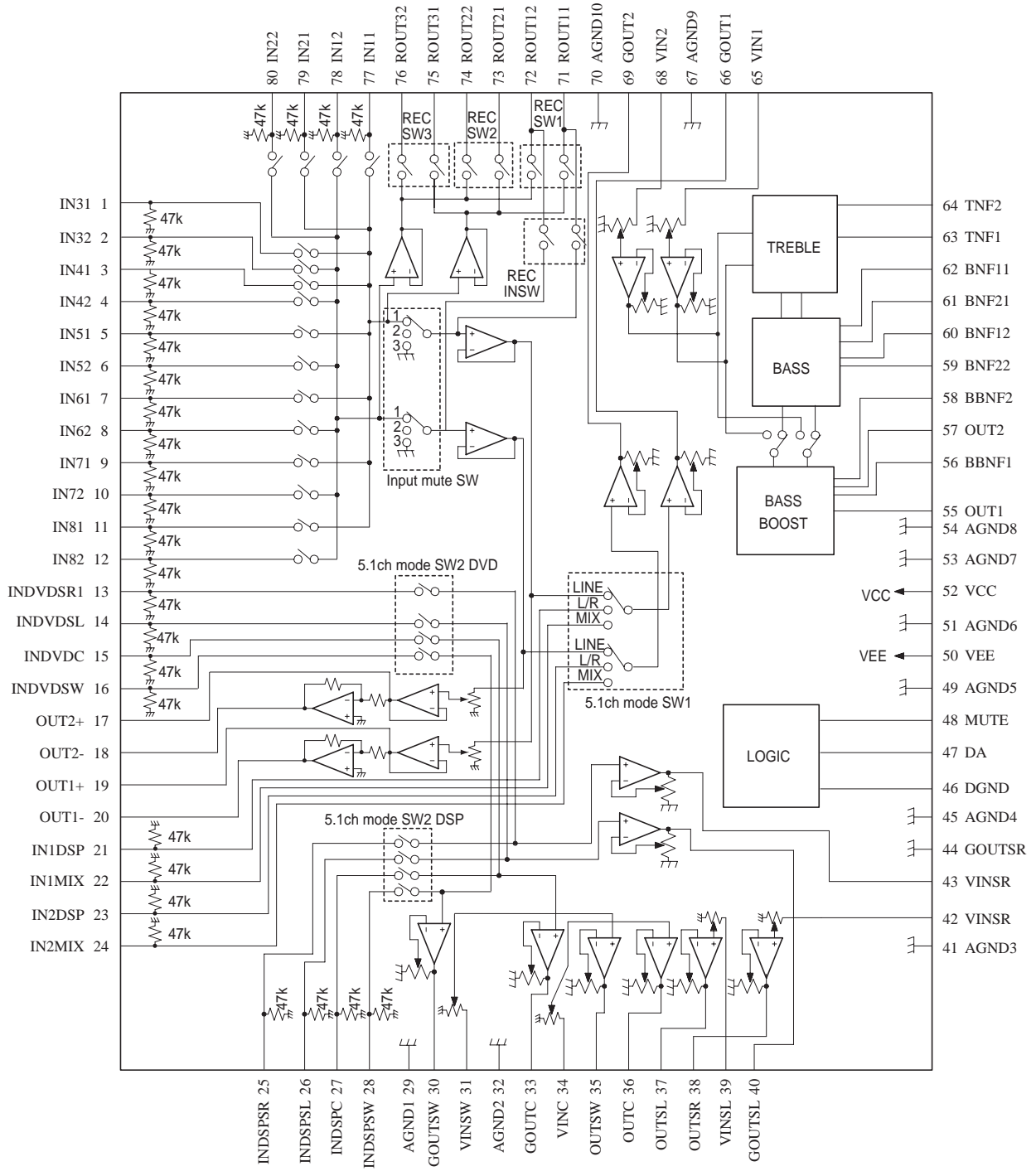
TRUTH TABLE

S2 (Pin 2)	S3 (Pin 3)	Vin1 (Pin 4)	Vin2 (Pin 6)	Vin3 (Pin 8)	Vin4 (Pin 9)
H	H	ON	OFF	OFF	OFF
L	H	OFF	ON	OFF	OFF
H	L	OFF	OFF	ON	OFF
L	L	OFF	OFF	OFF	ON

IC BLOCK DIAGRAM AND TERMINAL DESCRIPTIONS-2

Q301:BD3811K1 (6CH Volume with 8ch input selector)-1

BLOCK DIAGRAM



IC BLOCK DIAGRAM AND TERMINAL DESCRIPTIONS-3

Q301:BD3811K1 (6CH Volume with 8ch input selector)-2

TERMINAL DESCRIPTION

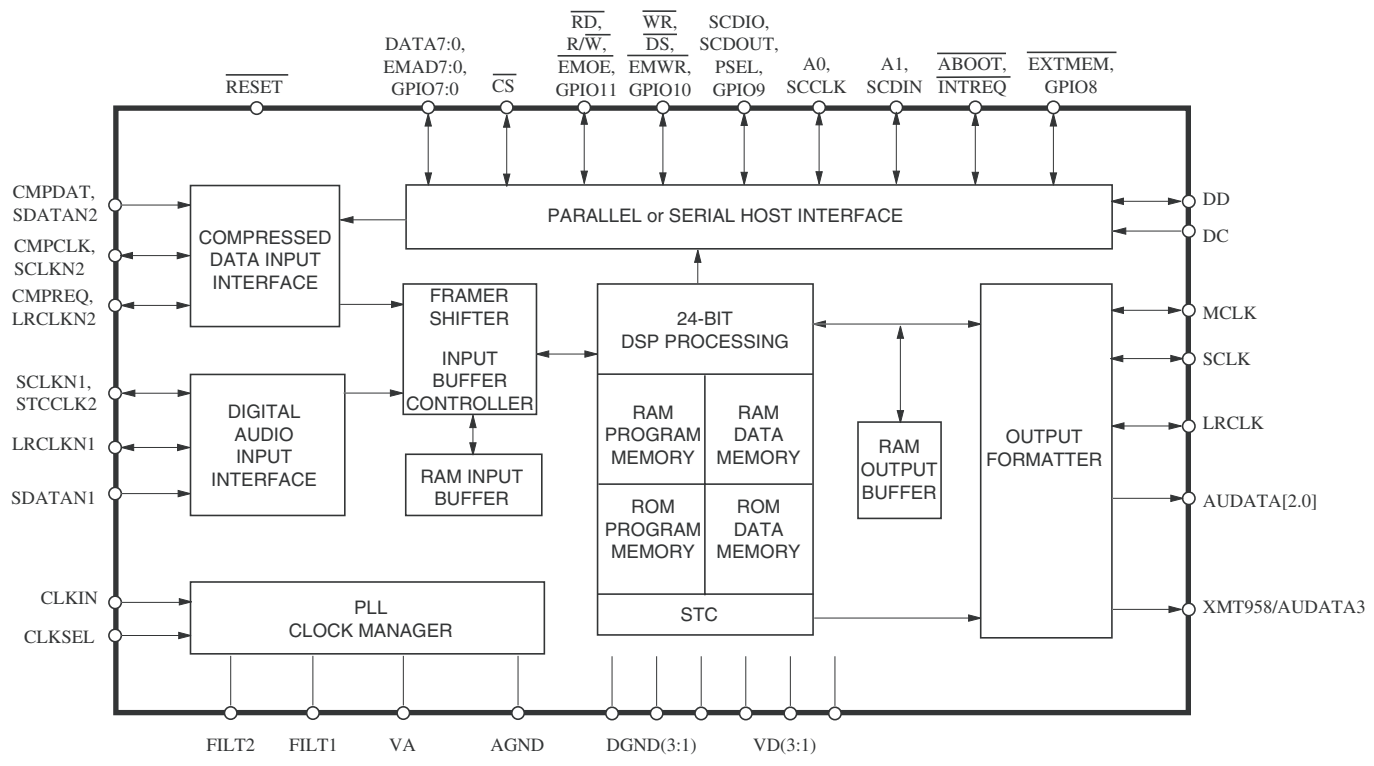
No.	Terminal	Description
1	IN31	1ch input terminal 3
2	IN32	2ch input terminal 3
3	IN41	1ch input terminal 4
4	IN42	2ch input terminal 4
5	IN51	1ch input terminal 5
6	IN52	2ch input terminal 5
7	IN61	1ch input terminal 6
8	IN62	2ch input terminal 6
9	IN71	1ch input terminal 7
10	IN72	2ch input terminal 7
11	IN81	1ch input terminal 8
12	IN82	2ch input terminal 8
13	INDVDSR	DVD surround Rch input terminal
14	INDVDSL	DVD surround Lch input terminal
15	INDVDC	DVD center input terminal
16	INDVDSW	DVD sub woofer input terminal
17	OUT2(+)	2ch (+) A/D output terminal
18	OUT2(-)	2ch (-) A/D output terminal
19	OUT1(+)	1ch (+) A/D output terminal
20	OUT1(-)	1ch (-) A/D output terminal
21	IN1DSP	1ch DSP input terminal
22	IN1MIX	1ch DSP MIX input terminal
23	IN2DSP	2ch DSP input terminal
24	IN2MIX	2ch DSP MIX input terminal
25	INDSPSR	DSP surround Rch input terminal
26	INDSPSL	DSP surround Lch input terminal
27	INDSPC	DSP center input terminal
28	INDSPSW	DSP sub woofer input terminal
29	AGND1	Analog ground terminal
30	GOUTSW	Sub woofer input gain output terminal
31	VINSW	Sub woofer volume input terminal
32	AGND2	Analog ground terminal
33	GOUTC	Center input gain output terminal
34	VINC	Center volume input terminal
35	OUTSW	Sub woofer output terminal
36	OUTC	Center output terminal
37	OUTSL	Surround Lch output terminal
38	OUTSR	Surround Rch output terminal
39	VINSL	Surround Lch volume input terminal
40	GOUTSL	Surround Lch input gain output terminal

No.	Terminal	Description
41	AGND3	Analog ground terminal
42	VINSR	Surround Rch volume input terminal
43	GOUTSR	Surround Rch input gain output terminal
44	AGND4	Analog ground terminal
45	DGND	Ground terminal for comparator
46	DA	Serial data and latch input terminal
47	CL	Serial clock input terminal
48	MUTE	Mute terminal
49	AGND5	Analog ground terminal
50	VEE	(-) Power supply terminal
51	AGND6	Analog ground terminal
52	VCC	(+) Power supply terminal
53	AGND7	Analog ground terminal
54	AGND8	Analog ground terminal
55	OUT1	1ch output terminal
56	BBNF1	1ch bass boost filter terminal
57	OUT2	2ch output terminal
58	BBNF2	2ch bass boost filter terminal
59	BNF22	2ch bass filter terminal 2
60	BNF12	2ch bass filter terminal 1
61	BNF21	1ch bass filter terminal 2
62	BNF11	1ch bass filter terminal 1
63	TNF1	1ch treble filter terminal 1
64	TNF2	2ch treble filter terminal 1
65	VIN1	1ch(Lch) volume input terminal
66	GOUT1	1ch(Lch) input gain output terminal
67	AGND9	Analog ground terminal
68	VIN2	2ch(Rch) volume input terminal
69	GOUT2	2ch(Rch) input gain output terminal
70	AGND10	Analog ground terminal
71	ROUT11	1ch recording input/output terminal 1
72	ROUT12	2ch recording input/output terminal 1
73	ROUT21	1ch recording output terminal 2
74	ROUT22	2ch recording output terminal 2
75	ROUT31	1ch recording output terminal 3
76	ROUT32	2ch recording output terminal 3
77	IN11	1ch input terminal 1
78	IN12	2ch input terminal 1
79	IN21	1ch input terminal 2
80	IN22	2ch input terminal 2

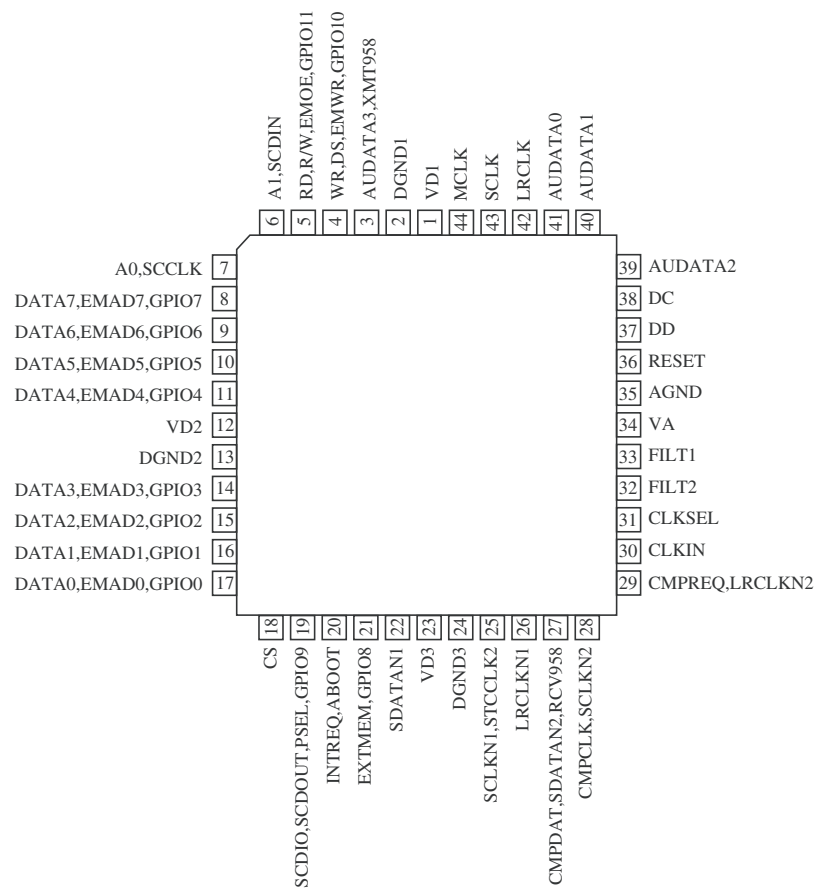
IC BLOCK DIAGRAM AND TERMINAL DESCRIPTIONS-4

Q701:CS493264(DSP IC)-1

BLOCK DIAGRAM



PIN LAYOUT



IC BLOCK DIAGRAM AND TERMINAL DESCRIPTIONS-5

Q701:CS493264(DSP IC)-2

TERMINAL DESCRIPTION

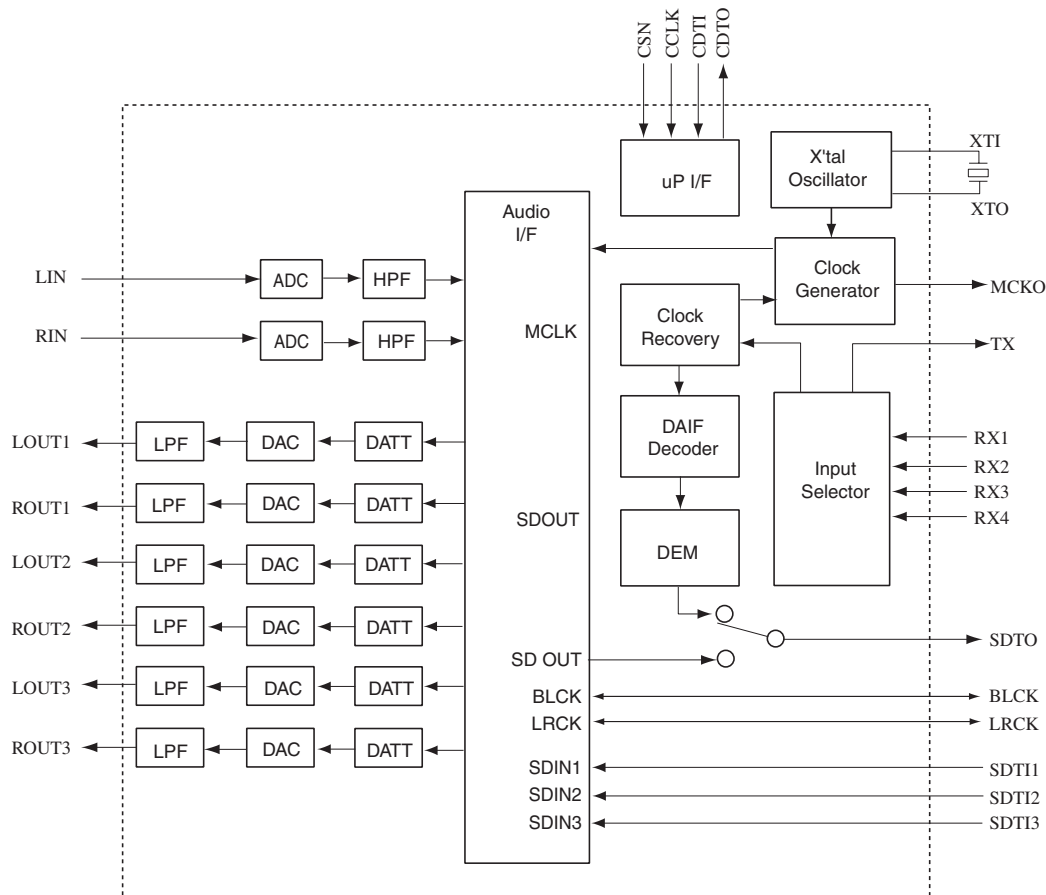
No.	Symbol	Description
1	VD1	Digital positive supply
2	DGMD1	Digital supply ground
3	AUDATA3,XMT958	SPDIF transmitter output. Digital audio output.
4	WR,DS,EMWR,GPIO10	Host write strobe or host data strobe or external memory write enable general purpose input & output number 10.
5	RD,R/W,EMOE,GPIO11	Host parallel output enable or host parallel R/W or external memory output enable or general purpose input & output number 11.
6	A1,SCDIN	Host address bit one or SPI serial control data input.
7	A0,SCCLK	Host parallel address bit zero or serial control port clock.
8	DATA7	In parallel host mode these pins provide a bi-directional databus. If a serial host mode is selected, these pins can provide a multiplexed address and data bus for connecting an 8-bit external memory. Otherwise, in serial data host mode, these pins can act as general-purpose input or output pins that can be individually configured and controlled by this DSP.
9	DATA6	
10	DATA5	
11	DATA4	
12	VD2	
13	DGND2	Digital supply ground.
14	DATA3	In parallel host mode these pins provide a bi-directional data bus. If a serial host mode is selected, these pins can provide a multiplexed address and data bus for connecting an 8-bit external memory. Otherwise, in serial data host mode, these pins can act as general-purpose input or output pins that can be individually configured and controlled by this DSP.
15	DATA2	
16	DATA1	
17	DATA0	
18	CS	Host parallel chip select, host serial SPI chip select.
19	SCDIO,SCDOUT,PSEL,GPIO9	Serial control port data input and output, parallel port type select.
20	INREQ,ABOOT	Control port interrupt request, automatic boot enable.
21	EXTMEM,GPIO8	External memory chip select or general purpose input & output number 8.
22	SDATAN1	PCM audio data input number one.
23	VD3	Digital positive supply.
24	DGND3	Digital supply ground.
25	SCLK1,STCLK2	PCM audio data input bit clock.
26	LRCLKN1	PCM audio input sample rate clock.
27	CMPDAT,SDATAN2	PCM audio data input number two.
28	CMPCLK,SCLKN2	PCM audio input bit clock.
29	CMPREQ LRCLKN2	PCM audio input sample rate clock.
30	CLKIN	Master clock input pin.
31	CLKSEL	DSP clock select pin.
32	FILT2	Phase locked loop filter.
33	FILT1	
34	VA	Analog positive supply.
35	AGND	Analog supply ground.
36	RESET	Master reset input.

No.	Symbol	Description
37	DD	Reserved.
38	DC	
39	AUDATA2	Digital audio output 2.
40	AUDATA1	Digital audio output 1.
41	AUDATA0	Digital audio output 0.
42	LRCLK	Audio output sample rate clock.
43	SCLK	Audio output bit clock.
44	MCLK	Audio master clock.

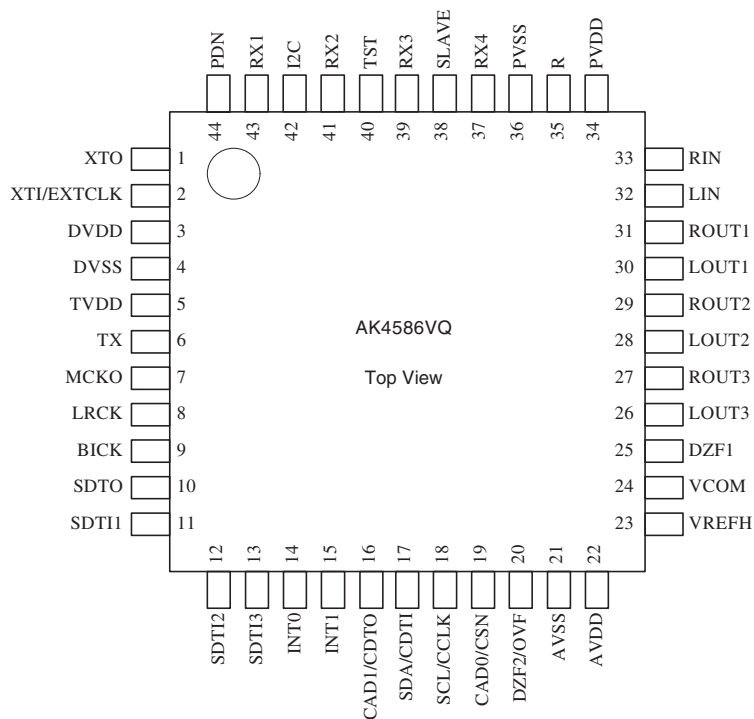
IC BLOCK DIAGRAM AND TERMINAL DESCRIPTIONS-6

Q801: AK4586 (24-Bit 96kHz 6-channel CODEC with DIR)-1

BLOCK DIAGRAM



PIN LAYOUT



IC BLOCK DIAGRAM AND TERMINAL DESCRIPTIONS-7

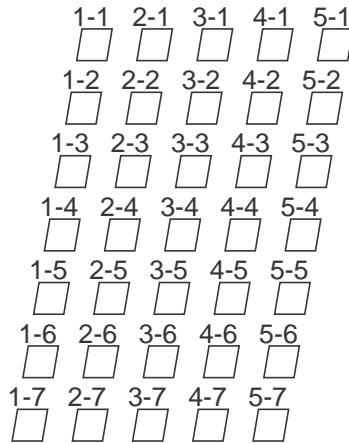
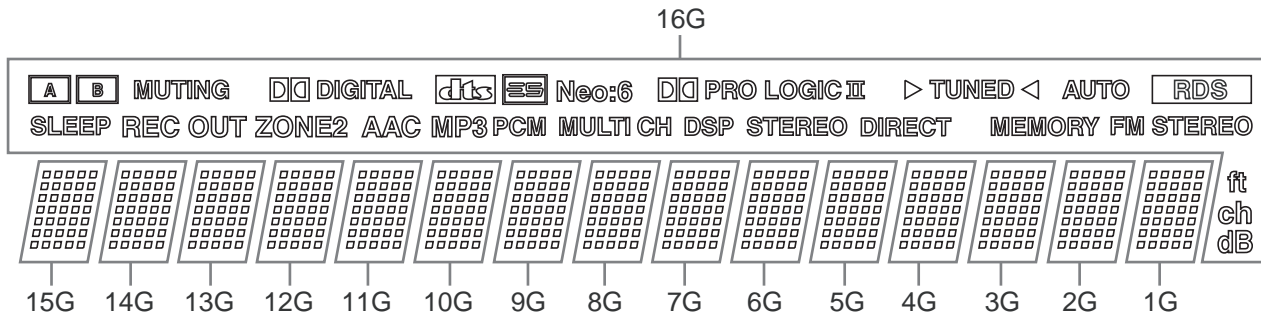
Q801: AK4586 (24-Bit 96kHz 6-channel CODEC with DIR)-2

TERMINAL DESCRIPTION

No.	Pin Name	I/O	Function
1	XTO	O	X'tal Output Pin
2	XTI	I	X'tal Input Pin
	EXTCLK	I	External Master Clock Input Pin
3	DVDD	-	Digital Power Supply Pin, 4.5V~5.5V
4	DVSS	-	Digital Ground Pin, 0V
5	TVDD	-	Output Buffer Power Supply Pin, 2.7V~5.5V
6	TX	O	Transmit channel (through data) Output Pin
7	MCKO	O	Master Clock Output Pin
8	LRCK	I/O	Input/Output Channel Clock Pin
9	BICK	I/O	Audio Serial Data Clock Pin
10	SDTO	O	Audio Serial Data Output Pin
11	SDTI1	I	DAC1 Audio Serial Data Input Pin
12	SDTI2	I	DAC2 Audio Serial Data Input Pin
13	SDTI3	I	DAC3 Audio Serial Data Input Pin
14	INT0	O	Interrupt 0 pin
15	INT1	O	Interrupt 1 pin
16	CDTO	O	Control Data Output Pin in 4-wire serial control mode
	CAD1	I	Chip Address 1 Pin in I ² C bus control mode
17	CDTI	I	Control Data Input Pin in 4-wire serial control mode
	SDA	I/O	Control Data Input/Output Pin in I ² C bus control mode
18	CCLK	I	Control Data Clock Pin in 4-wire serial control mode
	SCL	I	Control Data Clock Pin in I ² C bus control mode
19	CSN	I	Chip Select Pin in 4-wire serial control mode
	CAD0	I	Chip Address 0 Pin in I ² C bus control mode
20	DZF2	O	Zero Input Detect 2 Pin When the input data of the group 1 follow total 8192 LRCKcycles with "0" input data, this pin goes to "H".
	OVF	O	Analog Input Overflow Detect Pin This pin goes to "H" if the analog input of Lch or Rch is overflows.
21	AVSS	-	Analog Ground Pin, 0V
22	AVDD	-	Analog Power Supply Pin, 4.5V~5.5V
23	VREFH	I	Positive Voltage Reference Input Pin, AVDD
24	VCOM	O	Common Voltage Output Pin, AVDD/2 Large external capacitor around 2.2μF is used to reduce power-supply noise.
25	DZF1	O	Zero Input Detect 1 Pin When the input data of the group 1 follow total 8192 LRCK cycles with "0" input data, this pin goes to "H".
26	LOUT3	O	DAC3 Lch Analog Output Pin
27	ROUT3	O	DAC3 Rch Analog Output Pin
28	LOUT2	O	DAC2 Lch Analog Output Pin
29	ROUT2	O	DAC2 Rch Analog Output Pin
30	LOUT1	O	DAC1 Lch Analog Output Pin

No.	Pin Name	I/O	Function
31	ROUT1	O	DAC1 Rch Analog Output Pin
32	LIN	I	Lch Analog Input Pin
33	RIN	I	Rch Analog Input Pin
34	PVDD	-	PLL Power Supply Pin, 4.5V~5.5V
35	R	-	External Resistor Pin 18kΩ±1% resistor to PVSS externally.
36	PVSS	-	PLL Ground Pin, 0V
37	RX4	I	Receiver Channel 4 Pin (Internal biased pin)
38	SLAVE	I	Slave Mode Pin "L": Master mode or Slave mode, "H": Slave mode
39	RX3	I	Receiver Channel 3 Pin (Internal biased pin)
40	TST	I	Test Pin This pin should be connected to DVSS.
41	RX2	I	Receiver Channel 2 Pin (Internal biased pin)
42	I2C	I	Control Mode Select Pin "L": 4-wire Serial, "H": I2C Bus
43	RX1	I	Receiver Channel 1 Pin (Internal biased pin)
44	PDN	I	Power-Down & Reset Pin When "L", the AK4586 is powered-down, all output pins go to "L" and the control registers are reset to default state. If the state of CAD1-0 changes, then the AK4586 must be reset by PDN.

FL TUBE VIEW
Q7501:16BT123GNK



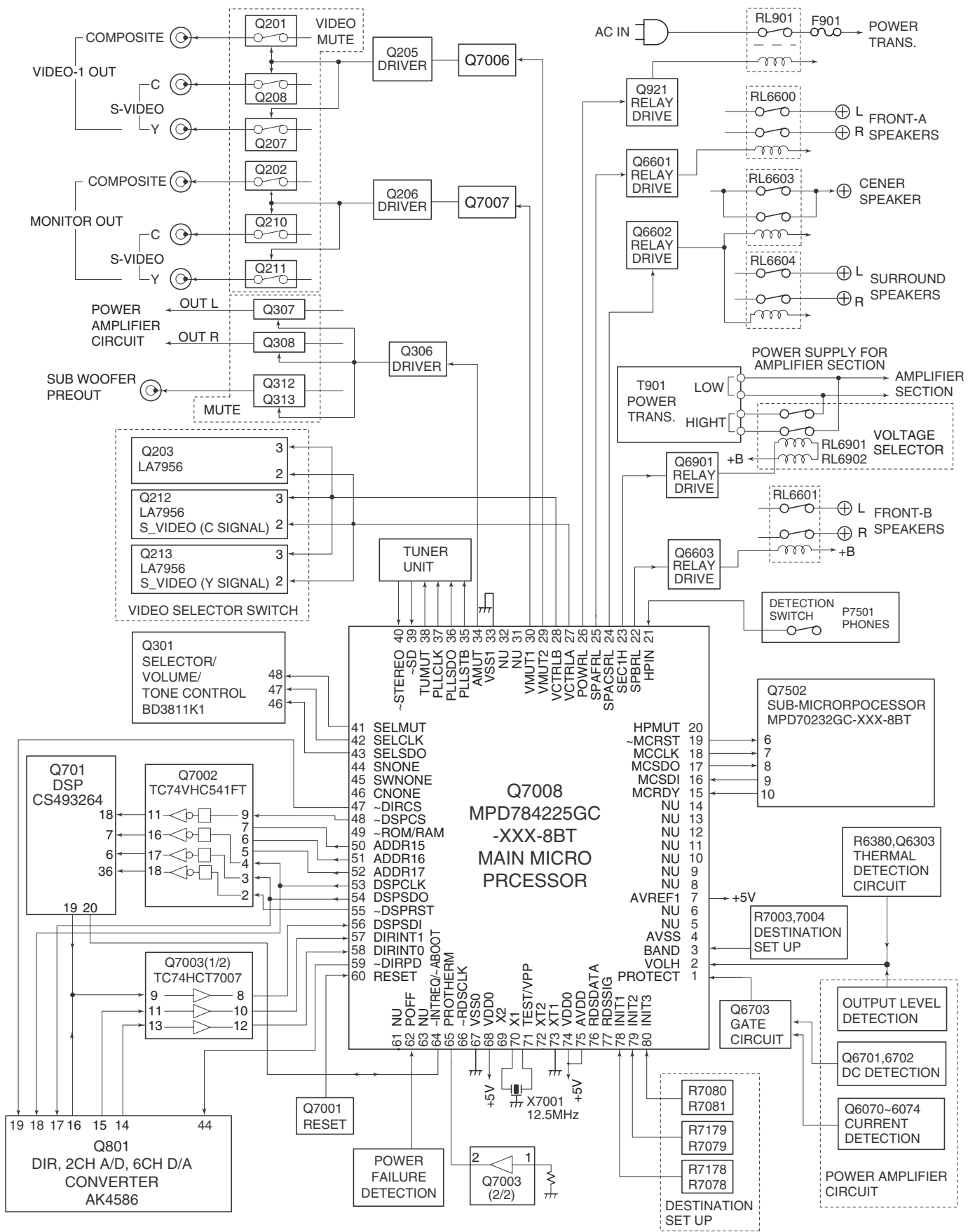
(1G-15G)

	16G	15G-1G
P1	[A]	1-1
P2	[B]	2-1
P3	SLEEP	3-1
P4	MUTING	4-1
P5	REC OUT	5-1
P6	ZONE2	1-2
P7	-	2-2
P8	[DIGITAL]	3-2
P9	[DTS]	4-2
P10	[ES]	5-2
P11	AAC	1-3
P12	MP3	2-3
P13	PCM	3-3
P14	Neo:6	4-3
P15	[PRO LOGIC II]	5-3
P16	II	1-4
P17	MULTI CH	2-4
P18	DSP	3-4

	16G	15G-1G
P19	STEREO	4-4
P20	DIRECT	5-4
P21	-	1-5
P22	▷ TUNED ◁	2-5
P23	TUNED	3-5
P24	MEMORY	4-5
P25	AUTO	5-5
P26	FM STEREO	1-6
P27	[RDS]	2-6
P28	ft	3-6
P29	ch	4-6
P30	dB	5-6
P31	-	1-7
P32	-	2-7
P33	-	3-7
P34	-	4-7
P35	-	5-7

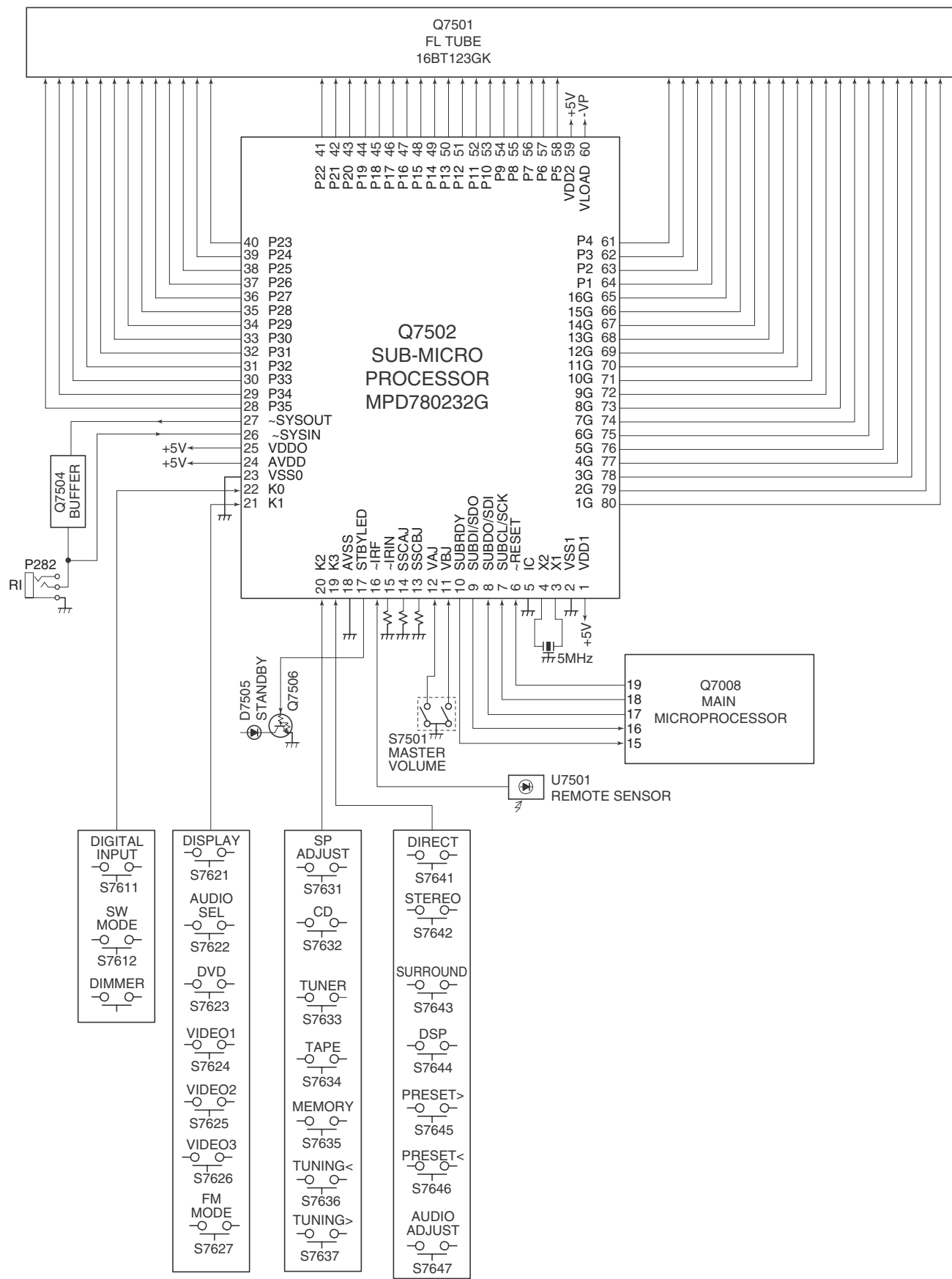
MICROPROCESSOR CONNECTION DIAGRAMS-1

Q7008:MPD784225GC-XXX-8BT(MAIN MICROPROCESSOR)



MICROPROCESSOR CONNECTION DIAGRAMS-2

Q7502:MPD780232GC-XXX-8BT(SUB MICROPROCESSOR)



MICROPROCESSOR TERMINAL DESCRIPTIONS-1

Q7008:MPD784225GC-XXX-8BT(MAIN MICROPROCESSOR)

No.	Pin name	I/O	Description
1	PROTECT	I	Current detection and DC voltage detection input terminal.
2	VOLH	I	Thermal detection and power amplifier output level detection input terminal.
3	BAND	I	Input terminal for destination setup.
4	AVSS	I	Power supply terminal +5V.
5	NU	O	Not used.
6	NU	O	Not used.
7	AVREF1	I	Ground terminal for A/D converter.
8	NU	O	Not used.
9	NU	O	Not used.
10	NU	O	Not used.
11	NU	O	Not used.
12	NU	O	Not used.
13	NU	O	Not used.
14	NU	O	Not used.
15	MCRDY	I	Data ready detection input terminal from the sub microprocessor.
16	MCSDI	I	Data input terminal from the sub microprocessor.
17	MCSDO	O	Data output terminal to the sub microprocessor.
18	MCCLK	O	Serial clock output terminal to the sub microprocessor.
19	~MCRST	O	Reset signal output terminal to the sub microprocessor.
20	HPMUT	O	Muting control output terminal for headphone amplifier. Not used.
21	HPIN	I	Input terminal to detect the connection of headphone.
22	SPBRL	O	Speaker relay control output terminal for front B.
23	SEC1H	O	Control output terminal for power supply voltage of power amplifier.
24	SPACSR	O	Speaker relay control output terminal for center and surround channels.
25	SPAFRL	O	Speaker relay control output terminal for front-A channels.
26	POWRL	O	Power source relay control output terminal.
27	VCTRLA	O	Control signal-A output terminal for the video selector switch.
28	VCTRLB	O	Control signal-B output terminal for the video selector switch.
29	VMUT2	O	Muting control-2 output terminal for the video section.
30	VMUT1	O	Muting control-1 output terminal for the video section.
31	NU	O	Not used.
32	NU	O	Not used.
33	VSS1	I	Ground terminal.
34	AMUT	O	Audio muting control output terminal.
35	PLLSTB	O	Strobe signal output terminal to PLL IC.
36	PLLSDO	O	Serial data output terminal to PLL IC.
37	PLLCLK	O	Serial clock output terminal to PLL IC.
38	TUMUT	O	Muting control output terminal for the tuner section.

No.	Pin name	I/O	Description
39	~SD	I	Broadcast detection input terminal more than a muting level.
40	~STEREO	I	FM stereo broadcast detection input terminal.
41	SELMUT	O	Muting control output terminal for selector, volume and tone IC BD3811.
42	SELCLK	O	Serial clock output terminal of selector, volume and tone IC BD3811.
43	SELSDO	O	Serial data and latch signal output terminal for selector, volume and tone IC BD3811.
44	SNONE	O	Not used.
45	SWNONE	O	Not used.
46	CNONE	O	Not used.
47	~DIRCS	O	Chip select signal output terminal to DIR IC AK4586.
48	~DSPCS	O	Chip select signal output terminal to DSP IC.
49	~ROM/RAM	O	ROM/RAM select terminal. Not used.
50	ADDR15	O	DSP boot ROM address 15 select terminal. Not used.
51	ADDR16	O	DSP boot ROM address 16 select terminal. Not used.
52	ADDR17	O	DSP boot ROM address 17 select terminal. Not used.
53	DSPCLK	O	Serial clock output terminal for DSP IC CS493264,DIR and CODEC IC AK4586.
54	DSPSDO	O	Serial data output terminal for DSP IC CS493264,DIR and CODEC IC AK4586.
55	~DSPRST	O	Reset signal output terminal to DSP IC.
56	DSPSDI	I	Serial data input terminal from DSP IC CS493264,DIR and CODEC IC AK4586.
57	DIRINT1	I	Input terminal to detect the status of DIR IC.
58	DIRINT0	I	Input terminal to detect the unlock of DIR IC.
59	~DIRPD	O	Power down terminal to DIR and CODEC ICs.
60	RESET	I	Reset input terminal.
61	NU	O	Not used.
62	POFF	I	Power failure detection input terminal.
63	NU	O	Not used.
64	~INTREQ/~ABOOT	I/O	Interrupter input terminal from DSP IC.
65	PROTHERM	I	Not used.
66	~RDSCLK	I	RDS clock input terminal (European model only)
67	VSS0	I	Ground terminal.
68	VDD0	I	Power supply terminal +5V.
69	X2	O	Connect the ceramic oscillator 12.5MHz.
70	X1	I	Connect the ceramic oscillator 12.5MHz.
71	TEST/VPP	I	Test terminal.
72	XT2	O	Not used.
73	XT1	I	Not used.
74	VDD0	I	Power supply terminal +5V.
75	AVDD	I	Power supply terminal for A/D converter +5V.
76	RDSDATA	I	Data input terminal of RDS broadcast (European model only)
77	RDSSIG	I	Input terminal to check the signal of RDS broadcast (European model only)
78	INIT1	I	Input terminal-1 for destination setup.
79	INIT2	I	Input terminal-2 for destination setup.
80	INIT3	I	Input terminal-3 for destination setup.

MICROPROCESSOR TERMINAL DESCRIPTIONS-2

Q7502:MPD780232GC-030-8BT(SUB MICROPROCESSOR)

No.	Pin name	I/O	Description
1	VDD1	I	Power supply terminal. Connect to 5V.
2	VSS1	I	Ground terminal.
3	X1	I	X'tal input terminal.
4	X2	O	X'tal output terminal.
5	IC	I	Connect to ground. Not used.
6	~RESET	I	System reset signal input terminal.
7	SUBCL/SCK	I	Clock input terminal to transmit the signal from main microprocessor.
8	SUBDO/SDI	I	Data input terminal to transmit the signal from main microprocessor.
9	SUBDI/SDO	O	Data output terminal to transmit the signal to main microprocessor.
10	SUBRDY	O	Data ready output terminal to transmit to the main microprocessor.
11	VBJ	I	Pulse input terminal from the rotary encoder of volume.
12	VAJ	I	Pulse input terminal from the rotary encoder of volume.
13	SSCBJ	I	Not used.
14	SSCAJ	I	Not used.
15	~IRIN	I	Not used.
16	~IRF	I	Signal input terminal from the remote controller.
17	STBYLED	O	Standby LED control output terminal.
18	AVSS	I	Ground terminal for A/D converter.
19	K3	I	Operation key connection terminal.
20	K2	I	Operation key connection terminal.
21	K1	I	Operation key connection terminal.
22	K0	I	Operation key connection terminal.
23	VSS0	I	Ground terminal.
24	AVDD	I	Power supply terminal for A/D converter.
25	VDDO	I	Power supply terminal. Apply +5V.
26	~SYSIN	I	System code input terminal.
27	~SYSOUT	O	System code output terminal.
28	P35	O	Segment output terminal of P35.
29	P34	O	Segment output terminal of P34.
30	P33	O	Segment output terminal of P33.
31	P32	O	Segment output terminal of P32.
32	P31	O	Segment output terminal of P31.
33	P30	O	Segment output terminal of P30.
34	P29	O	Segment output terminal of P29.
35	P28	O	Segment output terminal of P28.
36	P27	O	Segment output terminal of P27.
37	P26	O	Segment output terminal of P26.
38	P25	O	Segment output terminal of P25.
39	P24	O	Segment output terminal of P24.
40	P23	O	Segment output terminal of P23.

No.	Pin name	I/O	Description
41	P22	O	Segment output terminal of P22.
42	P21	O	Segment output terminal of P21.
43	P20	O	Segment output terminal of P20.
44	P19	O	Segment output terminal of P19.
45	P18	O	Segment output terminal of P18.
46	P17	O	Segment output terminal of P17.
47	P16	O	Segment output terminal of P16.
48	P15	O	Segment output terminal of P15.
49	P14	O	Segment output terminal of P14.
50	P13	O	Segment output terminal of P13.
51	P12	O	Segment output terminal of P12.
52	P11	O	Segment output terminal of P11.
53	P10	O	Segment output terminal of P10.
54	P9	O	Segment output terminal of P9.
55	P8	O	Segment output terminal of P8.
56	P7	O	Segment output terminal of P7.
57	P6	O	Segment output terminal of P6.
58	P5	O	Segment output terminal of P5.
59	VDD2	I	Power supply terminal. Apply connect to +5V.
60	VLOAD	I	Negative power supply terminal of FL controller.
61	P4	O	Segment output terminal of P4.
62	P3	O	Segment output terminal of P3.
63	P2	O	Segment output terminal of P2.
64	P1	O	Segment output terminal of P1.
65	16G	O	Grid output terminal of 16G.
66	15G	O	Grid output terminal of 15G.
67	14G	O	Grid output terminal of 14G.
68	13G	O	Grid output terminal of 13G.
69	12G	O	Grid output terminal of 12G.
70	11G	O	Grid output terminal of 11G.
71	10G	O	Grid output terminal of 10G.
72	9G	O	Grid output terminal of 9G.
73	8G	O	Grid output terminal of 8G.
74	7G	O	Grid output terminal of 7G.
75	6G	O	Grid output terminal of 6G.
76	5G	O	Grid output terminal of 5G.
77	4G	O	Grid output terminal of 4G.
78	3G	O	Grid output terminal of 3G.
79	2G	O	Grid output terminal of 2G.
80	1G	O	Grid output terminal of 1G.

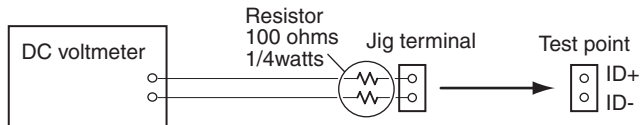
ADJUSTMENT PROCEDURES

IDLING CURRENT ADJUSTMENT

[Note] No load and No signal

Refer to Fig-1 about test points and adjustment points.

1. Before Idling adjustment, turn the trimming resistors R6040, R6041, R6042, R6043 and R6044 to counter clockwise.
2. Connect the DC voltmeter to test point P6080, P6081, P6082, P6083 and P6084.
Connect 100-ohm resistance near the terminal of the two poles of a Jig terminal.



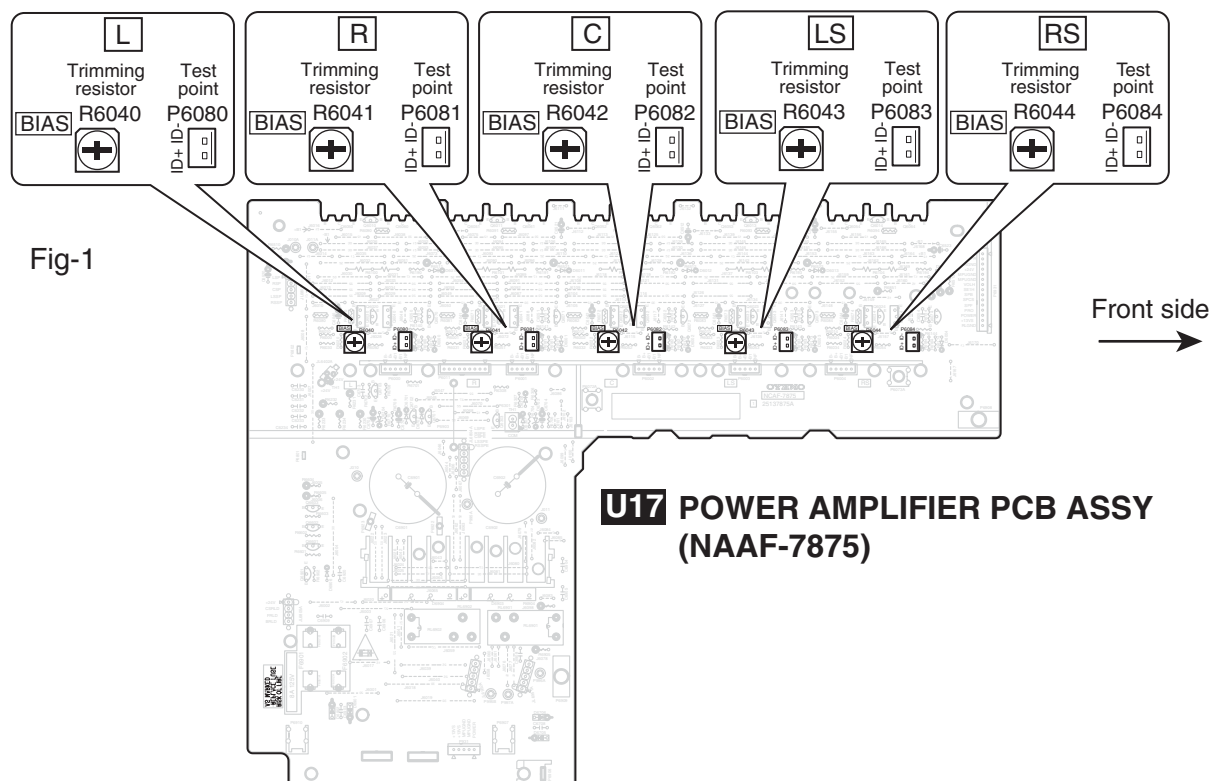
3. Connect the AC power supply cord to wall outlet.
4. Press the STANDBY/ON button into the power ON state.
5. Adjust the trimming resistors as following procedure immediately after a power ON.

Trimming resistor (Adjustment point)	Test point (Measuring point)	Adjustment value	Channel
R6040	P6080	2.5 mV	L
R6041	P6081	2.5 mV	R
R6042	P6082	2.5 mV	C
R6043	P6083	1.5 mV	SL
R6044	P6084	1.5 mV	SR

6. Wait for 4 - 5 minutes. (Heat raining)
7. Re-adjust the trimming resistors as following procedure.

Adjustment point	Measured value	Adjustment value	Channel
R6040, R6041, R6042	In case below 7 mV	→ 7 mV	L, R, C
	In case 7 - 9 mV	→ Leave it as it is	
	In case over 9 mV	→ 9 mV	
R6043, R6044	In case below 4 mV	→ 4 mV	SL, SR
	In case 4 - 6 mV	→ Leave it as it is	
	In case over 6 mV	→ 6 mV	

8. Disconnect the DC voltmeter.
9. Press the STANDBY/ON button into the power OFF state.
10. Disconnect the AC power supply cord.



OPERATION CHECK-1

DC VOLTAGE DETECTION PROTECTORS

[NOTE1]

Limit time to apply voltage is 0.5 - 1.0 seconds each channel.

When protection operation does not occur at once, try several times.

[NOTE2]

Don't connect speakers or any load. Don't short speaker terminals.

1. Set the unit to test mode "*Test-1-00*".

1-1. Press and the hold down the CD button, then press the STANDBY/ON button when the unit is Power ON.

Test - _

1-2. Press the DVD button, while the display of "*Test - _*" has come out.

Unit will be in the state of "*Test-1-00*".

Test - 1-00

2. Apply DC voltage (+1.5 to +3V) to **MULTI CHANNEL (FL, FR, SL, SR, C, SW)** terminal, each channel.

3. Check that "protect" is display come out.

4. Apply DC voltage (-1.5 to -3V) to **MULTI CHANNEL (FL, FR, SL, SR, C, SW)** terminal, each channel.

5. Check that "protect" is display come out.

6. Press the STANDBY/ON button.

Clear

Disappears

CURRENT DETECTION PROTECTORS

[NOTE]

In the state of testmode "*Test-4-29*", the pulse waveform for checking from speaker terminal outputs automatically. Therefore, oscillator is unnecessary.

1. Set the unit to test mode "*Test-4-29*".

1-1. Press and the hold down the CD button, then press the STANDBY/ON button when the unit is Power ON.

Test - _

1-2. Press the VIDEO3 button, while the display of "*Test - _*" has come out.

Unit will be in the state of "*Test-4-00*".

Test - 4-00

1-3. Repeat and press SPEAKERS B until the display of "*Test-4-29*" comes out.

Test - 4-29

2. Connect the lord resistor (3ohms) to the speaker terminals.

3. Check the not displayed "*PROTECT*" and speaker relays **not** turn OFF.

4. Check the each speaker terminals.

5. Connect the lord resistor (1.5ohms) to the speaker terminals.

6. Check the displayed "*PROTECT*" and speaker relays turn OFF immediately.

7. Check the each speaker terminals.

6. Press the STANDBY/ON button.

Clear

Disappears

OPERATION CHECK-2

OUTPUT LEVEL & THERMAL DETECTION

Regarding the power supply system of this unit.

<Function>

1. High-voltage mode

Usually, the power supply supplies high voltage to the power amplifier circuit when the relay(RL6901) is turned on.

2. Low-voltage mode

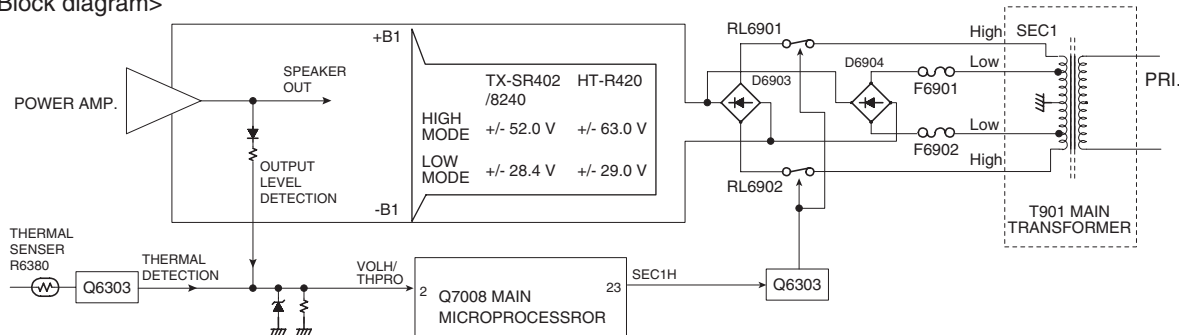
When as follows, a power supply changes to the state of supplying low voltage when the relay (RL6901) is turned off.

- (1) Excessive output signal is continuously outputted from power amplifier.
- (2) Temperature of a heat sink surpasses 80 degrees.

<Purpose>

1. The loss which power amplifier generates is decreased. As a result, the miniaturization of a heat sink is realized.
2. Corresponds to a safety standard.

<Block diagram>



<Necessity for a check of operation>

May not notice the fuse (F6901, F6902) broken in the case of repair.

Because the power supply is continuing supplying voltage from the High side of SEC1 at high-voltage mode.

When a power supply circuit changes to low voltage mode, amplifier does not operate.

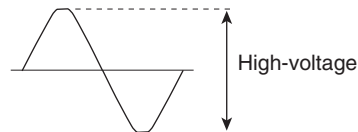
Therefore, it is very important to check operation of this power supply system containing a fuse.

<Procedure>

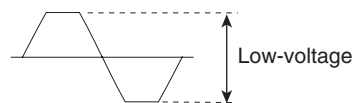
[NOTE2]

Don't connect speakers or any load. Don't short speaker terminals.

- (1) Set the unit is Multi channel input state.
- (2) Set the master volume into the minimum.
- (3) Apply sine wave signal to MULTI CHANNEL INPUT (FL+FR+C+SL) terminals.
- (4) Connect an oscilloscope to speaker terminal of FL channel.
- (5) Adjust master volume so that a speaker output may become distortion about 5%.



- (6) Check that the RL6901 is turned off after about 5 seconds.
And the power supply changes to low-voltage mode.



- (7) Adjust the master volume so that output voltage may become half.



- (8) Check that the RL6901 is turned ON after 2 to 3 minutes.
And the power supply returns to high-voltage mode.

OPERATION CHECK-3

OUTPUT LEVEL & THERMAL DETECTION

<Check procedure by test mode>

The following is the procedure of checking detection operation of a microprocessor in false, by using test mode.

Output level detection

1. Set the unit to test mode " *Test-3-2* "

1-1. Press and the hold down the CD button , then press the STANDBY/ON button when the unit is Power ON.

Test - _

1-2. Press the VIDEO2 button, while the display of " *Test - _* " has come out.

Unit will be in the state of " *Test-3-00* ".

Test - 3-00

1-3. Repeat and press SPEAKERS B until the display of " *Test-3-2* " comes out.

Test - 3-02

2. Apply signal (sine wave 1kHz, -1.5dBV) to **MULTI CHANNEL (FL, FR, SL, SR, C)** terminal, each channel.

3. Check that FM STEREO indicator is display come out.

Test - 3-02

FM STEREO

FM STEREO

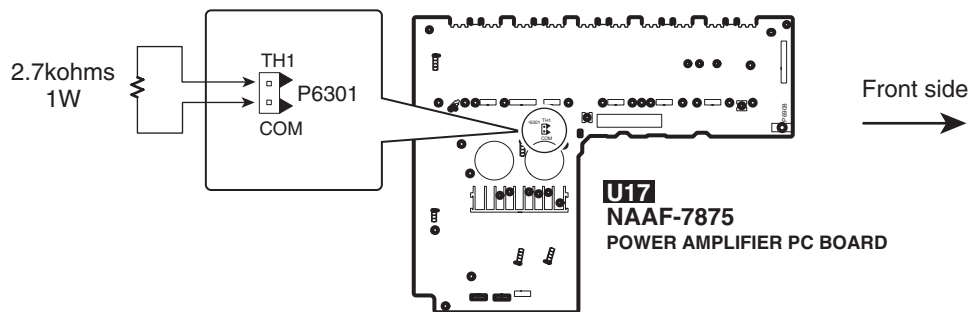
6. Press the STANDBY/ON button, and exit from test mode.

Thermal detection

1. Set the unit to test mode " *Test-3-2* "

Refer to the clause of "OUTPUT LEVEL DETECTION".

2. Connect the resistor 2.7kohms /1W between "HT1" and "COM" terminals of P6301.



3. Check that FM STEREO indicator is display come out.

Test - 3-02

FM STEREO

FM STEREO

6. Press the STANDBY/ON button, and exit from test mode.

OPERATION CHECK-4

DSP DEBUG MODE

Regarding the DSP debug mode

In this test mode, the check with normal communication of a microcomputer and the data of DSP and DIR is possible. This information is a help to find the cause of failure.

<How to go in DSP debug mode>

1. Press and hold down the DISPLAY button, then press the STANDBY button when the unit is power ON.

[Example] Version 30212a

2. Press the DISPLAY button, while the display of "Version 30212a" has come out.

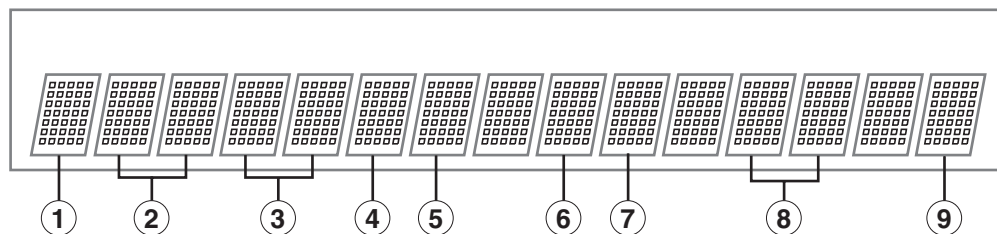
DSP Debug Mode → E1A---0 -o 23 o

<How to EXIT>

Press STANDBY/ON.

<Explanation of each parameter>

Details



DIR

- ① UNLOCK
E = UNLOCK
= LOCK
- ② Digital Selector
D = DIGITAL
A = ANALOG
1 = COAX
2 = OPT1
3 = OPT2
4 = Others
- ③ Sampling Frequency
96 = 96kHz
48 = 48kHz
44 = 44kHz
32 = 32kHz
= Not detect
- ④ Pre Emphasis
K = OFF
e = ON
- ⑤ DIR Status
0 = PCM/ANALOG
2 = DTS CD
5 = DD/DTS/AAC

MEMORY/DOWNLOAD

- ⑥ MEMORY Address
0 = AC3+PLII
1 = AC3/PCM+T-D
2 = DTS/DTS-ES
3 = DTS
5 = AAC+PL"6" : COS
7 = FACTORY TEST MODE
- ⑦ ROM/RAM Select/Download Status
H = RAM (Complete Auto Boot)
L = ROM (Under Auto boot)

DSP

- ⑧ DSP Detect Format
[IEC61937]
00: Null
01: Dolby Digital
03: Pause
04: MPEG1 L1
05: MPEG1 L23/MPEG2 w/o
06: MPEG2 w/o
07: MPEG2 AAC
0B: DTS1
0C: DTS2
0D: DTS3
1B: MPEG2 AAC1
1C: MPEG2 AAC2

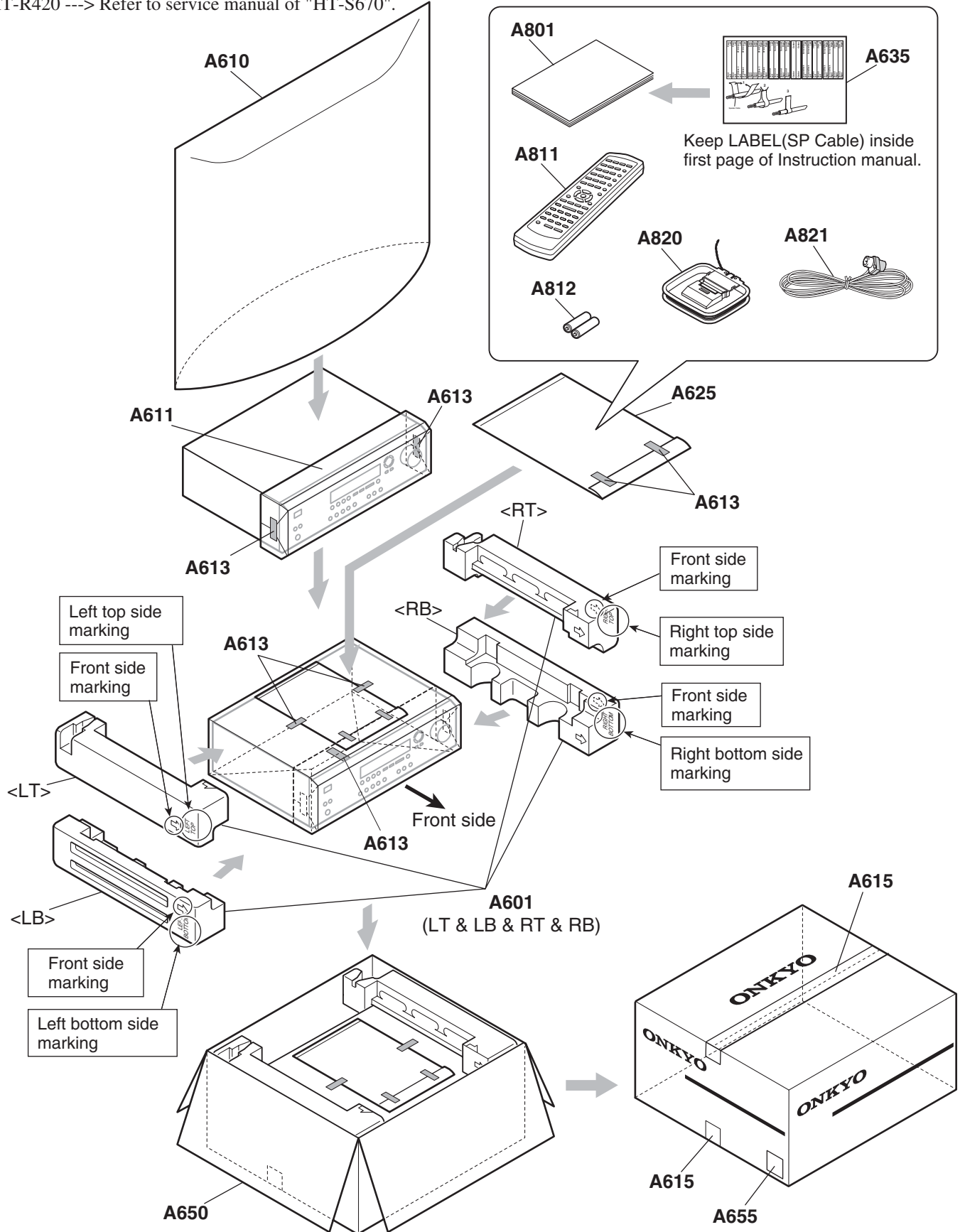
[Except IEC61937]
20: Silent
21: DTS LD
22: DTS CD
23: PCM
- ⑨ DSP Decode
0 = Decode OK
X = Decode NG
- = Analog in

PACKING PROCEDURES

TX-SR402/TX-SR8240 Only

<Note>

HT-R420 ---> Refer to service manual of "HT-S670".



TX-SR402/8240/HT-R420

EXPLODED VIEW PARTS LIST

NOTE : THE COMPONENTS IDENTIFIED BY THE MARK ! ARE
CRITICAL FOR RISK OF FIRE AND ELECTRIC SHOCK.
REPLACE ONLY WITH PART NUMBER SPECIFIED.

<Notes>

(S) : Silver model

(B) : Black model

(G) : Golden model

<402> : TX-SR402 (Chinese model)

<8240> : TX-SR8240 (Chinese model)

<420> : HT-R420 (All destination)

<DD> : HT-R420 (American model)

<DC> : HT-R420 (Canadian model)

<PA> : HT-R420 (Australian model)

<PT> : HT-R420 (Asian model 230-240V)

<WT> : HT-R420 (Worldwide model)

	REF NO.	NAME	DESCRIPTION	Q'TY	PART NO.	REMARKS
EXP.	A002	SCREW	3TTF+8B(BC)	2	835430088	
EXP.	A004	SCREW	3TTB+8B	1	838130088	
EXP.	A005	SCREW	3TTB+10B(BC)	10	838430108	
EXP.	A007	SCREW	3TTB+10B(BC)	3	838430108	
EXP.	A010	CHASSIS	---	1	27100416A	
EXP.	A015	HOLDER	KGLS-8RT	1	27190503A	
EXP.	A016	HOLDER	KGPS-10RF	2	27190813	
EXP.	A017	HOLDER	KGLS-10RT	3	27190428A	
EXP.	A020	SCREW	3TTB+8B	6	838130088	
EXP.	A021	SCREW	3TTB+8B	4	838130088	
EXP.	A022	SCREW	3TTB+8B	1	838130088	
EXP.	A023	SCREW	4TTC+8C(BC)	4	830440089	
EXP.	A024	SCREW	3TTB+8B	1	838130088	
EXP.	A025	RIVET	P-RIVET NRP-345	1	880009	
EXP.	A026	SCREW	3TTW+8B(BC)	1	831430088	
EXP.	A028	BUSHING	S-RELIEF #2271	1	27300750	!
EXP.	A030	HEAT SINK	AS	1	27160501	
EXP.	A035	SCREW	3TTB+8B	1	838130088	
EXP.	A036	SCREW	3TTB+8B	2	838130088	
EXP.	A037	SCREW	3SMS8W.SW+14B(BC)	10	801433	
EXP.	A050	COVER	---	1	28184831	(B)
EXP.	A050	COVER	---	1	28184856	(S)
EXP.	A050	COVER	---	1	28184857	(G)
EXP.	A051	SCREW	3TTB+8B(BC)	6	838430088	(B)
EXP.	A051	SCREW	3TTB+8B(UN)	6	838930088	(S), (G)
EXP.	A055	LEG	LEG	4	27175319B	
EXP.	A056	CUSHION	---	8	28141494	
EXP.	A057	SCREW	3TTB+8B	4	838130088	
EXP.	A060	KNOB	(VOL)AS	1	28325643	(G) <8240>
EXP.	A060	KNOB	(VOL)AS	1	28326198	(S) <402>, <420>
EXP.	A060	KNOB	(VOL)AS	1	28326199	(G) <402>
EXP.	A060	KNOB	(VOL)AS	1	28326197	(B) <420>
EXP.	A065	CLEAR PLT	---	1	28191958	(S),(G)
EXP.	A065	CLEAR PLT	---	1	28191957	(B)
EXP.	A401	REAR PANEL	---	1	27123218	<402>

EXP.	A401	REAR PANEL	---	1	27123219B	<DC>, <DD>
EXP.	A401	REAR PANEL	---	1	27123258	<8240>
EXP.	A401	REAR PANEL	---	1	27123259	<PA>
EXP.	A401	REAR PANEL	---	1	27123260	<WT>
EXP.	A401	REAR PANEL	---	1	27123285	<PT>
EXP.	A402	HOLDER	(OUTLET)	1	27191143	<402>, <8240>
EXP.	A404	SCREW	3TTB+8B(BC)	27	838430088	
EXP.	A410	F PANEL	---	1	27212617	(B) <DD>, <DC>,
EXP.	A410	F PANEL	---	1	27212617	(B) <PA>
EXP.	A410	F PANEL	---	1	27212618	(S) <DD>, <DC>
EXP.	A410	F PANEL	---	1	27212618	(S) <WT>, <PA>
EXP.	A410	F PANEL	---	1	27212618	(S) <PT>
EXP.	A410	F PANEL	---	1	27212619	(G) <402>
EXP.	A410	F PANEL	---	1	27212620	(S) <402>
EXP.	A410	F PANEL	---	1	27212642	(G) <8240>
EXP.	A411	KNOB	(POW)	1	28326047	(B)
EXP.	A411	KNOB	(POW)	1	28326048	(S)
EXP.	A411	KNOB	(POW)	1	28326049	(G)
EXP.	A412	KNOB	(MODE)	1	28326050	(B)
EXP.	A412	KNOB	(MODE)	1	28326051	(S)
EXP.	A412	KNOB	(MODE)	1	28326052	(G)
EXP.	A413	KNOB	(SEL)	1	28326053	(B)
EXP.	A413	KNOB	(SEL)	1	28326054	(S)
EXP.	A413	KNOB	(SEL)	1	28326055	(G)
EXP.	A414	KNOB	(PRE)	1	28326056A	(B)
EXP.	A414	KNOB	(PRE)	1	28326057A	(S)
EXP.	A414	KNOB	(PRE)	1	28326058A	(G)
EXP.	A415	TAPE	---	1	29110161	(B)
EXP.	A416	TAPE	(CU)	1	29110170	
EXP.	A417	TAPE	(CU)	1	29110171	
EXP.	A418	TAPE	(CU)	1	29110172	(B)
EXP.	A420	BADGE	BADGE	1	28135244	(B)
EXP.	A420	BADGE	BADGE	1	28135245	(G), (S)
EXP.	A421	SCREW	3TTW+8B(BC)	3	831430088	
EXP.	A424	RETAINER	(BRO)	1	27141873	
EXP.	A425	LABEL	HOOKUP-ONKYO	1	29363194	<DD>, <DC>
EXP.	A430	LABEL	(POP)	1	29363606	<DD>, <DC>
EXP.	F6901	FUSE	8A-EAK FUSE	1	252099	<402>, <8240>
EXP.	F6901	FUSE	8A-EAK FUSE	1	252099	<PA>, <PT>
	F6901	FUSE	8A-EAK FUSE	1	252099	<WT>
EXP.	F6901	FUSE	8A-UL	1	252198	<DD>, <DC>
EXP.	F6901 or	FUSE	8A-T/UL-ST2	(1)	252261	
EXP.	F6902	FUSE	8A-EAK FUSE	1	252099	<402>, <8240>
EXP.	F6902	FUSE	8A-EAK FUSE	1	252099	<PA>, <PT>
EXP.	F6902	FUSE	8A-EAK FUSE	1	252099	<WT>
EXP.	F6902	FUSE	8A-UL	1	252198	<DD>, <DC>
EXP.	F6902 or	FUSE	8A-T/UL-ST2	(1)	252261	
EXP.	F901	FUSE	8A-UL	1	252198	<DD>, <DC>
EXP.	F901 or	FUSE	8A-T/UL-ST2	(1)	252261	
EXP.	F901	FUSE	8A-UL	1	252198	<WT>
EXP.	F901 or	FUSE	8A-T/UL-ST2	(1)	252261	
EXP.	F902	FUSE	3.15A-SE-EAK FUSE	1	252076	<402>, <8240>
EXP.	F902 or	FUSE	3.15A-SE-TL250V	(1)	252242	
EXP.	F902 or	FUSE	3.15A-SE-TL250V	(1)	252276	
EXP.	F902	FUSE	3.15A-SE-EAK FUSE	1	252076	<WT>, <PA>, <PT>
EXP.	F902 or	FUSE	3.15A-SE-TL250V	(1)	252242	
EXP.	F902 or	FUSE	3.15A-SE-TL250V	(1)	252276	

EXP.	F903	FUSE	5A-UL/T-237	1	252164	<DD>, <DC>
EXP.	F903 or	FUSE	5A-T/UL-ST2	(1)	252258	
EXP.	F903	FUSE	2.5A-SE-EAK FUSE	1	252075	<402>, <8240>
EXP.	F903 or	FUSE	2.5A-SE-TL250V	(1)	252241	
EXP.	F903 or	FUSE	2.5A-SE-TL250V	(1)	252275	
EXP.	F903	FUSE	2.5A-SE-EAK FUSE	1	252075	<WT>, <PA>, <PT>
EXP.	F903 or	FUSE	2.5A-SE-TL250V	(1)	252241	
EXP.	F903 or	FUSE	2.5A-SE-TL250V	(1)	252275	
EXP.	P101	FFC	NCFC7-151512	1	2047151512	
EXP.	P7502	FFC	NCFC5-102012	1	2045102012	
EXP.	P7503	FFC	NCFC7-081012	1	2047081012	
EXP.	P7504	FASTON AS	BLACK L=130	1	1F999018UL	
EXP.	P800	WIRE TIE	BINDER(CLAMPER)UL	7	260208	
EXP.	P901	AC CORD	AS-UC-2	1	253368LTK	<DD>, <DC>
EXP.	P901 or	AC CORD	AS-UC-2	(1)	253332HIT	
EXP.	P901 or	AC CORD	AS-UC-2	(1)	253333VOL	
EXP.	P901	AC CORD	AS-SAA	1	253197HIT	<PA>
EXP.	P901	AC CORD	AS-CEE-2	1	253374LTK	<WT>, <PT>
EXP.	P901 or	AC CORD	AS-CEE-2	(1)	253233KAW	
EXP.	P901 or	AC CORD	AS-CEE-2	(1)	253306VOL	
EXP.	P901	AC CORD	AS-CCC	1	253355VOL	<402>, <8240>
EXP.	P901 or	AC CORD	AS-CCC	(1)	253377LTK	
EXP.	Q6050	TR	2SC5242-O	1	2202843	<420>
EXP.	Q6050 or	TR	2SC5242-R	(1)	2202842	
EXP.	Q6050 or	TR	MN150S-O	(1)	2203683	
EXP.	Q6050 or	TR	MN150S-Y	(1)	2203684	
EXP.	Q6050 or	TR	MN150S-P	(1)	2203686	
EXP.	Q6050	TR	2SC5198-R	1	2203062	<402>, <8240>
EXP.	Q6050 or	TR	2SC5198-O	(1)	2203063	
EXP.	Q6050 or	TR	MN130S-O	(1)	2203663	
EXP.	Q6050 or	TR	MN130S-Y	(1)	2203664	
EXP.	Q6050 or	TR	MN130S-P	(1)	2203666	
EXP.	Q6050A	ISO SHEET	AC238	10	223024	
EXP.	Q6051	TR	2SC5242-O	1	2202843	<420>
EXP.	Q6051 or	TR	2SC5242-R	(1)	2202842	
EXP.	Q6051 or	TR	MN150S-O	(1)	2203683	
EXP.	Q6051 or	TR	MN150S-Y	(1)	2203684	
EXP.	Q6051 or	TR	MN150S-P	(1)	2203686	
EXP.	Q6051	TR	2SC5198-R	1	2203062	<402>, <8240>
EXP.	Q6051 or	TR	2SC5198-O	(1)	2203063	
EXP.	Q6051 or	TR	MN130S-O	(1)	2203663	
EXP.	Q6051 or	TR	MN130S-Y	(1)	2203664	
EXP.	Q6051 or	TR	MN130S-P	(1)	2203666	
EXP.	Q6052 or	TR	2SC5242-R	(1)	2202842	<420>
EXP.	Q6052 or	TR	2SC5242-O	(1)	2202843	
EXP.	Q6052 or	TR	KTC5242-R	(1)	2203562	
EXP.	Q6052	TR	KTC5242-O	1	2203563	<420>
EXP.	Q6052 or	TR	MN130S-O	(1)	2203663	
EXP.	Q6052 or	TR	MN130S-Y	(1)	2203664	
EXP.	Q6052 or	TR	MN130S-P	(1)	2203666	
EXP.	Q6052	TR	KTD1047-Y	1	2203634	<402>, <8240>
EXP.	Q6052 or	TR	KTD1047-O	(1)	2203633	
EXP.	Q6052 or	TR	MN100S-O	(1)	2203653	
EXP.	Q6052 or	TR	MN100S-Y	(1)	2203654	
EXP.	Q6052 or	TR	MN100S-P	(1)	2203656	
EXP.	Q6053	TR	KTC5242-O	1	2203563	<420>
EXP.	Q6053 or	TR	2SC5242-R	(1)	2202842	

EXP.	Q6053 or	TR	2SC5242-O	(1)	2202843	
EXP.	Q6053 or	TR	KTC5242-R	(1)	2203562	
EXP.	Q6053 or	TR	MN130S-O	(1)	2203663	
EXP.	Q6053 or	TR	MN130S-Y	(1)	2203664	
EXP.	Q6053 or	TR	MN130S-P	(1)	2203666	
EXP.	Q6053	TR	KTD1047-Y	1	2203634	<402>, <8240>
EXP.	Q6053 or	TR	KTD1047-O	(1)	2203633	
EXP.	Q6053 or	TR	MN100S-O	(1)	2203653	
EXP.	Q6053 or	TR	MN100S-Y	(1)	2203654	
EXP.	Q6053 or	TR	MN100S-P	(1)	2203656	
EXP.	Q6054	TR	KTC5242-O	1	2203563	<420>
EXP.	Q6054 or	TR	2SC5242-O	(1)	2202843	
EXP.	Q6054 or	TR	2SC5242-R	(1)	2202842	
EXP.	Q6054 or	TR	KTC5242-R	(1)	2203562	
EXP.	Q6054 or	TR	MN130S-O	(1)	2203663	
EXP.	Q6054 or	TR	MN130S-P	(1)	2203666	
EXP.	Q6054 or	TR	MN130S-Y	(1)	2203664	
EXP.	Q6054	TR	KTD1047-Y	1	2203634	<402>, <8240>
EXP.	Q6054 or	TR	KTD1047-O	(1)	2203633	
EXP.	Q6054 or	TR	MN100S-O	(1)	2203653	
EXP.	Q6054 or	TR	MN100S-Y	(1)	2203654	
EXP.	Q6054 or	TR	MN100S-P	(1)	2203656	
EXP.	Q6060	TR	2SA1962-O	1	2202833	<420>
EXP.	Q6060 or	TR	2SA1962-R	(1)	2202832	<420>
EXP.	Q6060 or	TR	MP150S-O	(1)	2203693	<420>
EXP.	Q6060 or	TR	MP150S-Y	(1)	2203694	<420>
EXP.	Q6060 or	TR	MP150S-P	(1)	2203696	<420>
EXP.	Q6060	TR	2SA1941-R	1	2203052	<402>, <8240>
EXP.	Q6060 or	TR	2SA1941-O	(1)	2203053	
EXP.	Q6060 or	TR	MP130S-O	(1)	2203673	
EXP.	Q6060 or	TR	MP130S-Y	(1)	2203674	
EXP.	Q6060 or	TR	MP130S-P	(1)	2203676	
EXP.	Q6061	TR	2SA1962-O	1	2202833	<420>
EXP.	Q6061 or	TR	2SA1962-R	(1)	2202832	
EXP.	Q6061 or	TR	MP150S-O	(1)	2203693	
EXP.	Q6061 or	TR	MP150S-Y	(1)	2203694	
EXP.	Q6061 or	TR	MP150S-P	(1)	2203696	
EXP.	Q6061	TR	2SA1941-R	1	2203052	<402>, <8240>
EXP.	Q6061 or	TR	2SA1941-O	(1)	2203053	
EXP.	Q6061 or	TR	MP130S-O	(1)	2203673	
EXP.	Q6061 or	TR	MP130S-Y	(1)	2203674	
EXP.	Q6061 or	TR	MP130S-P	(1)	2203676	
EXP.	Q6062	TR	KTA1962-O	1	2203553	<420>
EXP.	Q6062 or	TR	2SA1962-R	(1)	2202832	
EXP.	Q6062 or	TR	2SA1962-O	(1)	2202833	
EXP.	Q6062 or	TR	KTA1962-R	(1)	2203552	
EXP.	Q6062 or	TR	MP130S-O	(1)	2203673	
EXP.	Q6062 or	TR	MP130S-Y	(1)	2203674	
EXP.	Q6062 or	TR	MP130S-P	(1)	2203676	
EXP.	Q6062	TR	KT817-Y	1	2203624	<402>, <8240>
EXP.	Q6062 or	TR	KT817-O	(1)	2203623	<402>, <8240>
EXP.	Q6062 or	TR	MP100S-O	(1)	2203643	<402>, <8240>
EXP.	Q6062 or	TR	MP100S-Y	(1)	2203644	<402>, <8240>
EXP.	Q6062 or	TR	MP100S-P	(1)	2203646	<402>, <8240>
EXP.	Q6063	TR	KTA1962-O	1	2203553	<420>
EXP.	Q6063 or	TR	2SA1962-R	(1)	2202832	
EXP.	Q6063 or	TR	2SA1962-O	(1)	2202833	

EXP.	Q6063 or	TR	KTA1962-R	(1)	2203552	
EXP.	Q6063 or	TR	MP130S-O	(1)	2203673	
EXP.	Q6063 or	TR	MP130S-Y	(1)	2203674	
EXP.	Q6063 or	TR	MP130S-P	(1)	2203676	
EXP.	Q6063	TR	KTB817-Y	1	2203624	<402>, <8240>
EXP.	Q6063 or	TR	KTB817-O	(1)	2203623	
EXP.	Q6063 or	TR	MP100S-O	(1)	2203643	
EXP.	Q6063 or	TR	MP100S-Y	(1)	2203644	
EXP.	Q6063 or	TR	MP100S-P	(1)	2203646	
EXP.	Q6064	TR	KTA1962-O	1	2203553	<420>
EXP.	Q6064 or	TR	2SA1962-R	(1)	2202832	
EXP.	Q6064 or	TR	2SA1962-O	(1)	2202833	
EXP.	Q6064 or	TR	KTA1962-R	(1)	2203552	
EXP.	Q6064 or	TR	MP130S-O	(1)	2203673	
EXP.	Q6064 or	TR	MP130S-Y	(1)	2203674	
EXP.	Q6064 or	TR	MP130S-P	(1)	2203676	
EXP.	Q6064	TR	KTB817-Y	1	2203624	<402>, <8240>
EXP.	Q6064 or	TR	KTB817-O	(1)	2203623	
EXP.	Q6064 or	TR	MP100S-O	(1)	2203643	
EXP.	Q6064 or	TR	MP100S-Y	(1)	2203644	
EXP.	Q6064 or	TR	MP100S-P	(1)	2203646	
EXP.	T901	P TRANS	NPT-1463G	1	2301679	! <402>, <8240>
EXP.	T901	P TRANS	NPT-1491D	1	2301738	! <DD>, <DC>
EXP.	T901	P TRANS	NPT-1491P	1	2301754	! <PA>, <PT>
EXP.	T901	P TRANS	NPT-1491DG	1	2301755	! <WT>
EXP.	U1	PREAMPLIFIER PCB AS	NADG-7401-3A	1	1A978501-3A	<402>, <8240>
EXP.	U1	PREAMPLIFIER PCB AS	NADG-7401-3B	1	1A978501-3B	<DD>, <DC>
EXP.	U1	PREAMPLIFIER PCB AS	NADG-7401-3C	1	1A978501-3C	<WT>
EXP.	U1	PREAMPLIFIER PCB AS	NADG-7401-3D	1	1A978501-3D	<PA>, <PT>
EXP.	U2	DISPLAY PCB AS	NADIS-7403-3A	1	1A978503-3A	<402>, <8240>
EXP.	U2	DISPLAY PCB AS	NADIS-7403-3A	1	1A978503-3A	<WT>, <PA>, <PT>
EXP.	U2	DISPLAY PCB AS	NADIS-7403-3B	1	1A978503-3B	<DD>, <DC>
EXP.	U3	SWITCH PCB AS	NASW-7404-3A	1	1A978504-3A	<402>, <8240>
EXP.	U3	SWITCH PCB AS	NASW-7404-3A	1	1A978504-3A	<WT>, <PA>, <PT>
EXP.	U3	SWITCH PCB AS	NASW-7404-3B	1	1A978504-3B	<DD>, <DC>
EXP.	U4	HEADPHONE JACK PCB AS	NAETC-7405-3A	1	1A978505-3A	<402>, <8240>
EXP.	U4	HEADPHONE JACK PCB AS	NAETC-7405-3A	1	1A978505-3A	<WT>, <PA>, <PT>
EXP.	U4	HEADPHONE JACK PCB AS	NAETC-7405-3B	1	1A978505-3B	<DD>, <DC>
EXP.	U8	DRIVER AMPLIFIER PCB AS	NAAF-7866-2A	1	1A974566-2A	<402>, <8240>
EXP.	U8	DRIVER AMPLIFIER PCB AS	NAAF-7866-2B	1	1A978566-2B	<DD>, <DC>
EXP.	U8	DRIVER AMPLIFIER PCB AS	NAAF-7866-2C	1	1A978566-2C	<WT>, <PA>, <PT>
EXP.	U9	VIDEO & OPT TERMINAL PCB AS	NAVD-7867-2A	1	1A978567-2A	<402>, <8240>
EXP.	U9	VIDEO & OPT TERMINAL PCB AS	NAVD-7867-2B	1	1A978567-2B	<DD>, <DC>
EXP.	U9	VIDEO & OPT TERMINAL PCB AS	NAVD-7867-2C	1	1A978567-2C	<WT>, <PA>, <PT>
EXP.	U10	REGULATOR PCB AS	NAETC-7868-2A	1	1A978568-2A	<402>, <8240>
EXP.	U10	REGULATOR PCB AS	NAETC-7868-2B	1	1A978568-2B	<DD>, <DC>
EXP.	U10	REGULATOR PCB AS	NAETC-7868-2C	1	1A978568-2C	<WT>, <PA>, <PT>
EXP.	U11	TERMINAL PCB AS	NAETC-7869-2A	1	1A978569-2A	<402>, <8240>
EXP.	U11	TERMINAL PCB AS	NAETC-7869-2B	1	1A978569-2B	<DD>, <DC>
EXP.	U11	TERMINAL PCB AS	NAETC-7869-2C	1	1A978569-2C	<WT>, <PA>, <PT>
EXP.	U12	SPEAKER TERMINAL PCB AS	NAETC-7870-2A	1	1A978570-2A	<402>, <8240>
EXP.	U12	SPEAKER TERMINAL PCB AS	NAETC-7870-2B	1	1A978570-2B	<DD>, <DC>
EXP.	U12	SPEAKER TERMINAL PCB AS	NAETC-7870-2C	1	1A978570-2C	<WT>, <PA>, <PT>
EXP.	U15	S VIDEO TERMINAL PCB AS	NAVD-7873-2A	1	1A978573-2A	<402>, <8240>
EXP.	U15	S VIDEO TERMINAL PCB AS	NAVD-7873-2B	1	1A978573-2B	<DD>, <DC>
EXP.	U15	S VIDEO TERMINAL PCB AS	NAVD-7873-2C	1	1A978573-2C	<WT>, <PA>, <PT>
EXP.	U16	TERMINAL PCB AS	NAETC-7874-2A	1	1A978574-2A	<402>, <8240>

EXP.	U16	TERMINAL PCB AS	NAETC-7874-2B	1	1A978574-2B	<DD>, <DC>
EXP.	U16	TERMINAL PCB AS	NAETC-7874-2C	1	1A978574-2C	<WT>, <PA>, <PT>
EXP.	U17	POWER AMPLIFIER PCB AS	NAAF-7875-2A	1	1A978575-2A	<402>, <8240>
EXP.	U17	POWER AMPLIFIER PCB AS	NAAF-7875-2B	1	1A978575-2B	<DD>, <DC>
EXP.	U17	POWER AMPLIFIER PCB AS	NAAF-7875-2C	1	1A978575-2C	<PA>
EXP.	U17	POWER AMPLIFIER PCB AS	NAAF-7875-2D	1	1A978575-2D	<WT>
EXP.	U17	POWER AMPLIFIER PCB AS	NAAF-7875-2E	1	1A978575-2E	<PT>
EXP.	U18	TERMINAL PCB AS	NAPS-7876-2A	1	1A978576-2A	<402>, <8240>
EXP.	U18	TERMINAL PCB AS	NAPS-7876-2B	1	1A978576-2B	<DD>, <DC>
EXP.	U18	TERMINAL PCB AS	NAPS-7876-2C	1	1A978576-2C	<PA>
EXP.	U18	TERMINAL PCB AS	NAPS-7876-2D	1	1A978576-2D	<WT>
EXP.	U18	TERMINAL PCB AS	NAPS-7876-2E	1	1A978576-2E	<PT>
EXP.	U19	POWER SUPPLY PCB AS	NAPS-7877-2A	1	1A978577-2A	<402>, <8240>
EXP.	U19	POWER SUPPLY PCB AS	NAPS-7877-2B	1	1A978577-2B	<DD>, <DC>
EXP.	U19	POWER SUPPLY PCB AS	NAPS-7877-2C	1	1A978577-2C	<PA>
EXP.	U19	POWER SUPPLY PCB AS	NAPS-7877-2D	1	1A978577-2D	<WT>
EXP.	U19	POWER SUPPLY PCB AS	NAPS-7877-2E	1	1A978577-2E	<PT>
EXP.	U20	TERMINAL PCB AS	NAPS-7878-2A	1	1A978578-2A	<402>, <8240>
EXP.	U20	TERMINAL PCB AS	NAPS-7878-2B	1	1A978578-2B	<DD>, <DC>
EXP.	U20	TERMINAL PCB AS	NAPS-7878-2C	1	1A978578-2C	<PA>
EXP.	U20	TERMINAL PCB AS	NAPS-7878-2D	1	1A978578-2D	<WT>
EXP.	U20	TERMINAL PCB AS	NAPS-7878-2E	1	1A978578-2E	<PT>
EXP.	U21	HOLDER PCB AS	NAETC-7879-2A	1	1A978579-2A	
EXP.	U22	THERMAL SENSOR PCB AS	NAETC-7880-2A	1	1A978580-2A	<402>, <8240>
EXP.	U22	THERMAL SENSOR PCB AS	NAETC-7880-2C	1	1A978580-2C	<PA>
EXP.	U22	THERMAL SENSOR PCB AS	NAETC-7880-2D	1	1A978580-2D	<WT>
EXP.	U22	THERMAL SENSOR PCB AS	NAETC-7880-2E	1	1A978580-2E	<PT>
EXP.	U23	HOLDER PCB AS	NAETC-7881-2A	1	1A978581-2A	<402>, <8240>
EXP.	U23	HOLDER PCB AS	NAETC-7881-2B	1	1A978581-2B	<DD>, <DC>
EXP.	U23	HOLDER PCB AS	NAETC-7881-2C	1	1A978581-2C	<PA>
EXP.	U23	HOLDER PCB AS	NAETC-7881-2D	1	1A978581-2D	<WT>
EXP.	U23	HOLDER PCB AS	NAETC-7881-2E	1	1A978581-2E	<PT>
EXP.	U25	TERMINAL PCB AS	NAETC-7884-2A	1	1A978584-2A	<402>, <8240>
EXP.	U25	TERMINAL PCB AS	NAETC-7884-2B	1	1A978584-2B	<DD>, <DC>
EXP.	U25	TERMINAL PCB AS	NAETC-7884-2C	1	1A978584-2C	<PA>
EXP.	U25	TERMINAL PCB AS	NAETC-7884-2D	1	1A978584-2D	<WT>
EXP.	U25	TERMINAL PCB AS	NAETC-7884-2E	1	1A978584-2E	<PT>
EXP.	U26	THERMAL SENSOR PCB AS	NAETC-8256-2B	1	1A978556-2B	<DD>, <DC>
EXP.	U27	TUNER UNIT	TFCE1U114B	1	240134A	<DD>, <DC>
EXP.	U27 or	TUNER UNIT	ENG06501QR	(1)	240138A	
EXP.	U27 or	TUNER UNIT	FAE385-A02F	(1)	240146	
EXP.	U27	TUNER UNIT	TFCE1E512A	1	240135	<402>, <8240>
EXP.	U27 or	TUNER UNIT	FAE485-E02F	(1)	240147	
EXP.	U27 or	TUNER UNIT	ENG07501QR	(1)	240139A	
EXP.	U27	TUNER UNIT	TFCE1E512A	1	240135	<WT>, <PA>, <PT>
EXP.	U27 or	TUNER UNIT	FAE485-E02F	(1)	240147	
EXP.	U27 or	TUNER UNIT	ENG07501QR	(1)	240139A	

EXP. <Notes>

EXP. When replacement the following the transistor,made from the same HFE rank as the original type.

EXP. Q6050 - Q6060, Q6051 - Q6061, Q6052 - Q6062, Q6053 - Q6063, Q6054 - Q6064

TX-SR402/8240/HT-R420

PC BOARD PARTS LIST

U1 PREAMPLIFIER PC BOAD(NADG-7401-3A/3B/3C/3D)

<Notes>

NOTE : THE COMPONENTS IDENTIFIED BY THE MARK ! ARE

<402> : TX-SR402 (Chinese model)

NOTE : THE COMPONENTS IDENTIFIED BY THE MARK : AKE
 CRITICAL FOR RISK OF FIRE AND ELECTRIC SHOCK.
 REPLACE ONLY WITH PART NUMBER SPECIFIED.

<8240> : TX-SR8240 (Chinese model)
 <420> : HT-R420 (All destination)
 <DD> : HT-R420 (American model)
 <DC> : HT-R420 (Canadian model)
 <PA> : HT-R420 (Australian model)
 <PT> : HT-R420 (Asian model 230-240V)
 <WT> : HT-R420 (Worldwide model)

	REF NO.	NAME	DESCRIPTION	Q'TY	PART NO.	REMARKS
PCB	Q301	IC	BD3811K1	1	22241761R3	
PCB	Q302	IC	NJM4565M-D	1	22241383R2	
PCB	Q302 or	IC	MPC4570G2-T1(MST)	(1)	22240489R1NE	
PCB	Q302 or	IC	NJM4565M	(1)	22240581R2	
PCB	Q305	IC	NJM4565M-D	1	22241383R2	
PCB	Q305 or	IC	MPC4570G2-T1(MST)	(1)	22240489R1NE	
PCB	Q305 or	IC	NJM4565M	(1)	22240581R2	
PCB	Q306	TR	RN2402	1	2214530R2	
PCB	Q306 or	TR	KRA102S	(1)	2216220R2	
PCB	Q307	TR	RN1441	1	2215410R2	
PCB	Q308	TR	RN1441	1	2215410R2	
PCB	Q312	TR	RN1441	1	2215410R2	
PCB	Q313	TR	RN1441	1	2215410R2	
PCB	Q321	IC(REGULATOR)	78L07(SMT)	1	222780073R2	
PCB	Q322	IC(REGULATOR)	79L07(SMT)	1	222790073R2	
PCB	Q701	IC	CS493264	1	22241762R2	
PCB	Q707	IC	TC7WU04FU	1	22240935R2	
PCB	Q801	IC	AK4586	1	22241620R3	
PCB	Q802	IC	NJM4565M-D	1	22241383R2	
PCB	Q802 or	IC	MPC4570G2-T1(MST)	(1)	22240489R1NE	
PCB	Q802 or	IC	NJM4565M	(1)	22240581R2	
PCB	Q803	IC	NJM4565M-D	1	22241383R2	
PCB	Q803 or	IC	MPC4570G2-T1(MST)	(1)	22240489R1NE	
PCB	Q803 or	IC	NJM4565M	(1)	22240581R2	
PCB	Q804	IC	NJM4565M-D	1	22241383R2	
PCB	Q804 or	IC	MPC4570G2-T1(MST)	(1)	22240489R1NE	
PCB	Q804 or	IC	NJM4565M	(1)	22240581R2	
PCB	Q6402	IC(REGURATOR)	7812HF(TA7812S)	1	222780124TOS	
PCB	Q6402 or	IC(REGULATOR)	78M12HF	(1)	222780125	
PCB	Q6402A	SCREW	3P+10FN(BC)	1	82143010	
PCB	Q6402B	HEAT SINK	RAD-183	1	27160526	
PCB	Q6402C	TAPE	TAPE(CLOTH-16U)	1	29110083	
PCB	Q6403	IC(REGURATOR)	79012HF(TA79012S)	1	222790124TOS	
PCB	Q6403 or	IC(REGULATOR)	79M12HF	(1)	222790125	
PCB	Q6405	IC(REGURATOR)	7812HF(TA7812S)	1	222780124TOS	
PCB	Q6405 or	IC(REGULATOR)	78M12HF	(1)	222780125	
PCB	Q6405A	SCREW	3P+10FN(BC)	1	82143010	
PCB	Q6406	IC(REGURATOR)	7805HF(TA7805S)	1	222780054TOS	
PCB	Q6406 or	IC(REGULATOR)	78M05HF	(1)	222780055	
PCB	Q6406A	SCREW	3P+10FN(BC)	1	82143010	
PCB	Q7001	TR	RN1404	1	2214490R2	
PCB	Q7001 or	TR	KRC104S	(1)	2216210R2	
PCB	Q7002	IC	TC74VHC541FT	1	22274541ER2TO	
PCB	Q7002 or	IC	SN74AHC541PWR	(1)	22274541IR2TI	
PCB	Q7003	IC	TC74HCT7007AF	1	222740077R2TO	
PCB	Q7004	IC	BA33C25FP	1	22241778R2	
PCB	Q7006	TR	RN1404	1	2214490R2	
PCB	Q7006 or	TR	KRC104S	(1)	2216210R2	

PCB	Q7007	TR	RN1404	1	2214490R2
PCB	Q7007 or	TR	KRC104S	(1)	2216210R2
PCB	Q7008	IC	MPD784225GC-249-8BT	1	22242149R3
PCB	Q9501	TR	2SA1015-GR	1	2211455
PCB	D801	C-DIODE	1SS352	1	223234R2
PCB	D801 or	C-DIODE	1SS355	(1)	223269R2
PCB	D802	C-DIODE	1SS352	1	223234R2
PCB	D802 or	C-DIODE	1SS355	(1)	223269R2
PCB	D7001	C-DIODE	1SS352	1	223234R2
PCB	D7001 or	C-DIODE	1SS355	(1)	223269R2
PCB	D7002	C-DIODE	1SS352	1	223234R2
PCB	D7002 or	C-DIODE	1SS355	(1)	223269R2
PCB	D7003	C-DIODE	1SS352	1	223234R2
PCB	D7003 or	C-DIODE	1SS355	(1)	223269R2
PCB	D7004	C-DIODE	1SS352	1	223234R2
PCB	D7004 or	C-DIODE	1SS355	(1)	223269R2
PCB	D7702	ZENER D	UDZS6.2B	1	224550620R2
PCB	D7702 or	ZENER D	UDZ6.2B	(1)	224490620R2
PCB	D7702 or	ZENER D	HZU6.2B	(1)	224660624R2
PCB	D9502	DIODE	RL1N4003	1	22380260
PCB	D9502 or	DIODE	GP104003E	(1)	22380035
PCB	D9502 or	DIODE	1SR139-100	(1)	22380032
PCB	D9503	DIODE	RL1N4003	1	22380260
PCB	D9503 or	DIODE	GP104003E	(1)	22380035
PCB	D9503 or	DIODE	1SR139-100	(1)	22380032
PCB	D9504	DIODE	RL1N4003	1	22380260
PCB	D9504 or	DIODE	GP104003E	(1)	22380035
PCB	D9504 or	DIODE	1SR139-100	(1)	22380032
PCB	D9505	DIODE	RL1N4003	1	22380260
PCB	D9505 or	DIODE	GP104003E	(1)	22380035
PCB	D9505 or	DIODE	1SR139-100	(1)	22380032
PCB	D9506	DIODE	RL1N4003	1	22380260
PCB	D9506 or	DIODE	GP104003E	(1)	22380035
PCB	D9506 or	DIODE	1SR139-100	(1)	22380032
PCB	D9507	DIODE	RL1N4003	1	22380260
PCB	D9507 or	DIODE	GP104003E	(1)	22380035
PCB	D9507 or	DIODE	1SR139-100	(1)	22380032
PCB	D9508	ZENER D	UDZS27B	1	224552700R2
PCB	D9508 or	ZENER D	UDZ27B	(1)	224492700R2
PCB	D9508 or	ZENER D	HZU27B	(1)	224662704R2
PCB	D9509	DIODE	RL1N4003	1	22380260
PCB	D9509 or	DIODE	GP104003E	(1)	22380035
PCB	D9509 or	DIODE	1SR139-100	(1)	22380032
PCB	D9510	DIODE	RL1N4003	1	22380260
PCB	D9510 or	DIODE	GP104003E	(1)	22380035
PCB	D9510 or	DIODE	1SR139-100	(1)	22380032
PCB	D9511	DIODE	RL1N4003	1	22380260
PCB	D9511 or	DIODE	GP104003E	(1)	22380035
PCB	D9511 or	DIODE	1SR139-100	(1)	22380032
PCB	D9512	DIODE	RL1N4003	1	22380260
PCB	D9512 or	DIODE	GP104003E	(1)	22380035
PCB	D9512 or	DIODE	1SR139-100	(1)	22380032
PCB	L701	CHOKE COIL	NCH-1471	1	231237M022R2
PCB	L701 or	CHOKE COIL	NCH-1587-022K	(1)	233533K022R2
PCB	L702	CHOKE COIL	NCH-1471	1	231237M022R2
PCB	L702 or	CHOKE COIL	NCH-1587-022K	(1)	233533K022R2
PCB	L704	CHOKE COIL	NCH-1471	1	231237M022R2

PCB	L704 or	CHOKO COIL	NCH-1587-022K	(1)	233533K022R2	
PCB	L705	EMIFIL	BK1608LM182-T	1	230958R1	
PCB	L706	EMIFIL	BK1608LM182-T	1	230958R1	
PCB	L801	CHOKO COIL	NCH-1471	1	231237M022R2	
PCB	L801 or	CHOKO COIL	NCH-1587-022K	(1)	233533K022R2	
PCB	L802	CHOKO COIL	NCH-1471	1	231237M022R2	
PCB	L802 or	CHOKO COIL	NCH-1587-022K	(1)	233533K022R2	
PCB	L803	CHOKO COIL	NCH-1471	1	231237M022R2	
PCB	L803 or	CHOKO COIL	NCH-1587-022K	(1)	233533K022R2	
PCB	L804	CHOKO COIL	NCH-1471	1	231237M022R2	
PCB	L804 or	CHOKO COIL	NCH-1587-022K	(1)	233533K022R2	
PCB	L7001	CHOKO COIL	NCH-1479	1	231237K470R2	
PCB	L7001 or	CHOKO COIL	NCH-1587-470K	(1)	233533K470R2	
PCB	L7002	CHOKO COIL	NCH-1471	1	231237M022R2	
PCB	L7002 or	CHOKO COIL	NCH-1587-022K	(1)	233533K022R2	
PCB	X701	CERA LOCK	CSTCV12.2MTJ0C4	1	3010324R2	
PCB	X7001	CERA LOCK	CSTCE12M5G52-R0	1	3010361R2	
PCB	C101	VR C	CE04W50V-3.3M(VR)	1	394680337	
PCB	C101 or	ELECT C	CE04W50V3.3M(SC)	(1)	394780337	
PCB	C103	VR C	CE04W50V-3.3M(VR)	1	394680337	
PCB	C103 or	ELECT C	CE04W50V3.3M(SC)	(1)	394780337	
PCB	C104	C-CERA C	CC725CH1H-101J1	1	342101014R1	
PCB	C106	C-CERA C	CC725CH1H-101J1	1	342101014R1	
PCB	C300	TF C	ECQ-B50V-471J	1	374724714	<8240>, <402>
PCB	C300	TF C	ECQ-B50V-471J	1	374724714	<PA>, <WT>, <PT>
PCB	C300	TF C	ECQ-B50V-101K	1	374721015	<DD>, <DC>
PCB	C301	TF C	ECQ-B50V-471J	1	374724714	<8240>, <402>
PCB	C301	TF C	ECQ-B50V-471J	1	374724714	<PA>, <WT>, <PT>
PCB	C301	TF C	ECQ-B50V-101K	1	374721015	<DD>, <DC>
PCB	C302	C-CERA C	CC725CH1H-101J1	1	342101014R1	
PCB	C303	C-CERA C	CC725CH1H-101J1	1	342101014R1	
PCB	C304	C-CERA C	CC725CH1H-471J1	1	342104714R1	<8240>, <402>
	C304	C-CERA C	CC725CH1H-471J1	1	342104714R1	<PA>, <WT>, <PT>
PCB	C304	C-CERA C	CC725CH1H-101J1	1	342101014R1	<DD>, <DC>
PCB	C305	C-CERA C	CC725CH1H-471J1	1	342104714R1	<8240>, <402>
PCB	C305	C-CERA C	CC725CH1H-471J1	1	342104714R1	<PA>, <WT>, <PT>
PCB	C305	C-CERA C	CC725CH1H-101J1	1	342101014R1	<DD>, <DC>
PCB	C306	C-CERA C	CC725CH1H-471J1	1	342104714R1	<8240>, <402>
PCB	C306	C-CERA C	CC725CH1H-471J1	1	342104714R1	<PA>, <WT>, <PT>
PCB	C306	C-CERA C	CC725CH1H-101J1	1	342101014R1	<DD>, <DC>
PCB	C307	C-CERA C	CC725CH1H-471J1	1	342104714R1	<8240>, <402>
PCB	C307	C-CERA C	CC725CH1H-471J1	1	342104714R1	<PA>, <WT>, <PT>
PCB	C307	C-CERA C	CC725CH1H-101J1	1	342101014R1	<DD>, <DC>
PCB	C308	CERA C	CK45F50V-103Z	1	335621030	
PCB	C310	C-CERA C	CC725CH1H-471J1	1	342104714R1	<8240>, <402>
PCB	C310	C-CERA C	CC725CH1H-471J1	1	342104714R1	<PA>, <WT>, <PT>
PCB	C310	C-CERA C	CC725CH1H-101J1	1	342101014R1	<DD>, <DC>
PCB	C311	C-CERA C	CC725CH1H-471J1	1	342104714R1	<8240>, <402>
PCB	C311	C-CERA C	CC725CH1H-471J1	1	342104714R1	<PA>, <WT>, <PT>
PCB	C311	C-CERA C	CC725CH1H-101J1	1	342101014R1	<DD>, <DC>
PCB	C312	C-CERA C	CC725CH1H-101J1	1	342101014R1	
PCB	C313	C-CERA C	CC725CH1H-101J1	1	342101014R1	
PCB	C314	C-CERA C	CC725CH1H-471J1	1	342104714R1	<8240>, <402>
PCB	C314	C-CERA C	CC725CH1H-471J1	1	342104714R1	<PA>, <WT>, <PT>
PCB	C314	C-CERA C	CC725CH1H-101J1	1	342101014R1	<DD>, <DC>
PCB	C315	C-CERA C	CC725CH1H-471J1	1	342104714R1	<8240>, <402>
PCB	C315	C-CERA C	CC725CH1H-471J1	1	342104714R1	<PA>, <WT>, <PT>

PCB	C315	C-CERA C	CC725CH1H-101J1	1	342101014R1	<DD>, <DC>
PCB	C316	C-CERA C	CC725CH1H-471J1	1	342104714R1	<8240>, <402>
PCB	C316	C-CERA C	CC725CH1H-471J1	1	342104714R1	<PA>, <WT>, <PT>
PCB	C316	C-CERA C	CC725CH1H-101J1	1	342101014R1	<DD>, <DC>
PCB	C317	C-CERA C	CC725CH1H-471J1	1	342104714R1	<8240>, <402>
PCB	C317	C-CERA C	CC725CH1H-471J1	1	342104714R1	<PA>, <WT>, <PT>
PCB	C317	C-CERA C	CC725CH1H-101J1	1	342101014R1	<DD>, <DC>
PCB	C318	C-CERA C	CC725CH1H-471J1	1	342104714R1	<8240>, <402>
PCB	C318	C-CERA C	CC725CH1H-471J1	1	342104714R1	<PA>, <WT>, <PT>
PCB	C318	C-CERA C	CC725CH1H-101J1	1	342101014R1	<DD>, <DC>
PCB	C319	C-CERA C	CC725CH1H-471J1	1	342104714R1	<8240>, <402>
PCB	C319	C-CERA C	CC725CH1H-471J1	1	342104714R1	<PA>, <WT>, <PT>
PCB	C319	C-CERA C	CC725CH1H-101J1	1	342101014R1	<DD>, <DC>
PCB	C320	C-CERA C	CC725CH1H-471J1	1	342104714R1	<8240>, <402>
PCB	C320	C-CERA C	CC725CH1H-471J1	1	342104714R1	<PA>, <WT>, <PT>
PCB	C320	C-CERA C	CC725CH1H-101J1	1	342101014R1	<DD>, <DC>
PCB	C321	C-CERA C	CC725CH1H-471J1	1	342104714R1	<8240>, <402>
PCB	C321	C-CERA C	CC725CH1H-471J1	1	342104714R1	<PA>, <WT>, <PT>
PCB	C321	C-CERA C	CC725CH1H-101J1	1	342101014R1	<DD>, <DC>
PCB	C322	C-CERA C	CK725F1E-104Z1	1	332161040R1	
PCB	C323	C-CERA C	CK725F1E-104Z1	1	332161040R1	
PCB	C325	C-CERA C	CK725F1E-104Z1	1	332161040R1	
PCB	C326	C-CERA C	CK725F1E-104Z1	1	332161040R1	
PCB	C327	C-CERA C	CC725CH1H-330J1	1	342103304R1	
PCB	C328	C-CERA C	CC725CH1H-330J1	1	342103304R1	
PCB	C329	VX C	CE04W16V-10M(VX)	1	393341007	
PCB	C330	VX C	CE04W16V-10M(VX)	1	393341007	
PCB	C331	VX C	CE04W16V-10M(VX)	1	393341007	
PCB	C332	VX C	CE04W16V-10M(VX)	1	393341007	
PCB	C333	VX C	CE04W16V-10M(VX)	1	393341007	
PCB	C334	VX C	CE04W16V-10M(VX)	1	393341007	
PCB	C335	C-FILM C	ECHU16V-332J	1	373043324R2	
PCB	C336	C-FILM C	ECHU16V-332J	1	373043324R2	
PCB	C338	C-FILM C	ECHU16V-563J	1	373045634R2	
PCB	C340	C-FILM C	ECHU16V-563J	1	373045634R2	
PCB	C347	VR C	CE04W16V-100M(VR)	1	394641017	
PCB	C347 or	ELECT C	CE04W16V100M(SC)	(1)	394741017	
PCB	C348	VR C	CE04W16V-100M(VR)	1	394641017	
PCB	C348 or	ELECT C	CE04W16V100M(SC)	(1)	394741017	
PCB	C349	VX C	CE04W16V-10M(VX)	1	393341007	
PCB	C350	C-CERA C	CC725CH1H-221J1	1	342102214R1	
PCB	C351	C-CERA C	CC725CH1H-330J1	1	342103304R1	
PCB	C352	C-CERA C	CK725F1E-104Z1	1	332161040R1	
PCB	C353	VX C	CE04W16V-47M(VX)	1	393344707	
PCB	C354	VX C	CE04W16V-47M(VX)	1	393344707	
PCB	C358	VX C	CE04W16V-47M(VX)	1	393344707	
PCB	C359	VR C	CE04W16V-10M(VR)	1	394641007	
PCB	C359 or	ELECT C	CE04W16V10M(SC)	(1)	394741007	
PCB	C360	C-CERA C	CK732B1C-474K	1	337394745R1	
PCB	C362	VR C	CE04W16V-10M(VR)	1	394641007	
PCB	C362 or	ELECT C	CE04W16V10M(SC)	(1)	394741007	
PCB	C363	VX C	CE04W16V-10M(VX)	1	393341007	
PCB	C364	VX C	CE04W16V-10M(VX)	1	393341007	
PCB	C365	C-CERA C	CC732CH1H-222J	1	347342224R2	
PCB	C366	C-CERA C	CK725F1E-104Z1	1	332161040R1	
PCB	C367	C-CERA C	CK725F1E-104Z1	1	332161040R1	
PCB	C703	C-CERA C	CK725F1E-104Z1	1	332161040R1	

PCB	C706	VR C	CE04W6.3V-100M(VR)	1	394621017
PCB	C706 or	ELECT C	CE04W6.3V100M(SC)	(1)	394721017
PCB	C707	C-CERA C	CK725F1E-104Z1	1	332161040R1
PCB	C708	C-CERA C	CK725B1H-103K1	1	332101035R1
PCB	C709	C-CERA C	CK732B1A-105K	1	337361055R2
PCB	C710	C-CERA C	CK732B1A-105K	1	337361055R2
PCB	C711	C-CERA C	CC725CH1H-471J1	1	342104714R1
PCB	C712	C-CERA C	CK725F1E-104Z1	1	332161040R1
PCB	C713	C-CERA C	CC725CH1H-101J1	1	342101014R1
PCB	C714	C-CERA C	CK725F1E-104Z1	1	332161040R1
PCB	C715	C-CERA C	CK725F1E-104Z1	1	332161040R1
PCB	C716	VR C	CE04W6.3V-100M(VR)	1	394621017
PCB	C716 or	ELECT C	CE04W6.3V100M(SC)	(1)	394721017
PCB	C800	C-CERA C	CC725CH1H-330J1	1	342103304R1
PCB	C801	VR C	CE04W16V-47M(VR)	1	394644707
PCB	C801 or	ELECT C	CE04W16V47M(SC)	(1)	394744707
PCB	C804	C-CERA C	CK725F1E-104Z1	1	332161040R1
PCB	C805	C-CERA C	CK725F1E-104Z1	1	332161040R1
PCB	C806	VR C	CE04W6.3V-470M(VR)	1	394624717
PCB	C806 or	ELECT C	CE04W6.3V470M(SC)	(1)	394724717
PCB	C807	C-CERA C	CK725F1E-104Z1	1	332161040R1
PCB	C808	C-CERA C	CK725F1E-104Z1	1	332161040R1
PCB	C809	VR C	CE04W16V-10M(VR)	1	394641007
PCB	C809 or	ELECT C	CE04W16V10M(SC)	(1)	394741007
PCB	C810	VR C	CE04W16V-47M(VR)	1	394644707
PCB	C810 or	ELECT C	CE04W16V47M(SC)	(1)	394744707
PCB	C811	C-CERA C	CK725F1E-104Z1	1	332161040R1
PCB	C812	C-CERA C	CC725CH1H-330J1	1	342103304R1
PCB	C813	C-CERA C	CC725CH1H-330J1	1	342103304R1
PCB	C814	C-CERA C	CC725CH1H-330J1	1	342103304R1
PCB	C815	C-CERA C	CC725CH1H-102J1	1	342101024R1
PCB	C816	C-CERA C	CK725F1E-104Z1	1	332161040R1
PCB	C817	C-CERA C	CC725CH1H-150J1	1	342101504R1
PCB	C832	VX C	CE04W16V-10M(VX)	1	393341007
PCB	C833	VX C	CE04W16V-10M(VX)	1	393341007
PCB	C834	VX C	CE04W16V-10M(VX)	1	393341007
PCB	C835	VX C	CE04W16V-10M(VX)	1	393341007
PCB	C836	VX C	CE04W16V-10M(VX)	1	393341007
PCB	C837	VX C	CE04W16V-10M(VX)	1	393341007
PCB	C840	C-CERA C	CC725CH1E-821J1	1	342118214R1
PCB	C841	C-FILM C	ECHU16V-822J	1	373048224R2
PCB	C842	C-CERA C	CC725CH1E-821J1	1	342118214R1
PCB	C843	C-CERA C	CC725CH1E-821J1	1	342118214R1
PCB	C844	C-CERA C	CC725CH1E-821J1	1	342118214R1
PCB	C845	C-CERA C	CC725CH1E-821J1	1	342118214R1
PCB	C848	C-CERA C	CC732CH1H-152J	1	347341524R1
PCB	C849	C-FILM C	ECHU16V-153J	1	373041534R2
PCB	C850	C-CERA C	CC732CH1H-152J	1	347341524R1
PCB	C851	C-CERA C	CC732CH1H-152J	1	347341524R1
PCB	C852	TF C	ECQ-B50V-152J	1	374721524
PCB	C853	TF C	ECQ-B50V-152J	1	374721524
PCB	C854	VX C	CE04W16V-10M(VX)	1	393341007
PCB	C855	VX C	CE04W16V-47M(VX)	1	393344707
PCB	C856	VX C	CE04W16V-10M(VX)	1	393341007
PCB	C857	VX C	CE04W16V-10M(VX)	1	393341007
PCB	C858	VX C	CE04W16V-10M(VX)	1	393341007
PCB	C859	VX C	CE04W16V-10M(VX)	1	393341007

PCB	C6401	TF C	ECQ-V50V-104J	1	374721044
PCB	C6403	C-CERA C	CK725F1H-223Z1	1	332152230R1
PCB	C6404	VR C	CE04W16V-10M(VR)	1	394641007
PCB	C6404 or	ELECT C	CE04W16V10M(SC)	(1)	394741007
PCB	C6405	C-CERA C	CK725F1H-223Z1	1	332152230R1
PCB	C6406	VR C	CE04W16V-10M(VR)	1	394641007
PCB	C6406 or	ELECT C	CE04W16V10M(SC)	(1)	394741007
PCB	C6409	C-CERA C	CK725F1H-223Z1	1	332152230R1
PCB	C6410	VR C	CE04W16V-10M(VR)	1	394641007
PCB	C6410 or	ELECT C	CE04W16V10M(SC)	(1)	394741007
PCB	C6411	C-CERA C	CK725F1H-223Z1	1	332152230R1
PCB	C6412	VR C	CE04W16V-10M(VR)	1	394641007
PCB	C6412 or	ELECT C	CE04W16V10M(SC)	(1)	394741007
PCB	C7001	EDL C	DX-5R5L104	1	3000078
PCB	C7001 or	EDL C	FMC0H104Z	(1)	3000120
PCB	C7001 or	EDL C	SCDA5R5104A	(1)	3000121
PCB	C7002	VR C	CE04W6.3V-100M(VR)	1	394621017
PCB	C7002 or	ELECT C	CE04W6.3V100M(SC)	(1)	394721017
PCB	C7003	C-CERA C	CK725F1E-104Z1	1	332161040R1
PCB	C7004	VR C	CE04W50V-1M(VR)	1	394680107
PCB	C7004 or	ELECT C	CE04W50V1.0M(SC)	(1)	394780107
PCB	C7005	VR C	CE04W6.3V-100M(VR)	1	394621017
PCB	C7005 or	ELECT C	CE04W6.3V100M(SC)	(1)	394721017
PCB	C7006	C-CERA C	CK725F1E-104Z1	1	332161040R1
PCB	C7007	C-CERA C	CK725F1E-104Z1	1	332161040R1
PCB	C7008	C-CERA C	CK725F1E-104Z1	1	332161040R1
PCB	C7009	C-CERA C	CK725F1E-104Z1	1	332161040R1
PCB	C7010	C-CERA C	CK725F1E-104Z1	1	332161040R1
PCB	C7011	VR C	CE04W16V-47M(VR)	1	394644707
PCB	C7011 or	ELECT C	CE04W16V47M(SC)	(1)	394744707
PCB	C7012	VR C	CE04W16V-47M(VR)	1	394644707
PCB	C7012 or	ELECT C	CE04W16V47M(SC)	(1)	394744707
PCB	C7014	C-CERA C	CK725F1E-104Z1	1	332161040R1
PCB	C7015	VR C	CE04W16V-47M(VR)	1	394644707
PCB	C7015 or	ELECT C	CE04W16V47M(SC)	(1)	394744707
PCB	C9501	TF C	ECQ-V50V-104J	1	374721044
PCB	C9502	TF C	ECQ-V50V-104J	1	374721044
PCB	C9503	TF C	ECQ-V50V-104J	1	374721044
PCB	C9505	VR C	CE04W35V-2200M(VR)	1	394662227S
PCB	C9505 or	ELECT C	CE04W35V2200M(SC)	(1)	394762227S
PCB	C9506	VR C	CE04W35V-470M(VR)	1	394664717
PCB	C9506 or	ELECT C	CE04W35V470M(SC)	(1)	394764717
PCB	C9507	VR C	CE04W35V-220M(VR)	1	394662217
PCB	C9507 or	ELECT C	CE04W35V220M(SC)	(1)	394762217
PCB	C9508	VR C	CE04W16V-4700M(VR)	1	394644727S
PCB	C9508 or	ELECT C	CE04W16V4700M(SC)	(1)	394744727S
PCB	C9510	VR C	CE04W63V-220M(VR)	1	394672217
PCB	C9511	C-CERA C	CK725F1H-223Z1	1	332152230R1
PCB	C9512	C-CERA C	CK725F1H-223Z1	1	332152230R1
PCB	R102	C-CARBON R	RN72K1J-223JE	1	435032234R1
PCB	R103	C-CARBON R	RN72K1J-223JE	1	435032234R1
PCB	R104	C-CARBON R	RN72K1J-104JE	1	435031044R1
PCB	R185	C-CARBON R	RN72K1J-473JE	1	435034734R1
PCB	R186	C-CARBON R	RN72K1J-473JE	1	435034734R1
PCB	R187	C-CARBON R	RN72K1J-473JE	1	435034734R1
PCB	R300	C-CARBON R	RN72K1J-331JE	1	435033314R1
PCB	R301	C-CARBON R	RN72K1J-331JE	1	435033314R1

PCB	R302	C-CARBON R	RN72K1J-331JE	1	435033314R1
PCB	R303	C-CARBON R	RN72K1J-331JE	1	435033314R1
PCB	R304	C-CARBON R	RN72K1J-331JE	1	435033314R1
PCB	R305	C-CARBON R	RN72K1J-331JE	1	435033314R1
PCB	R306	C-CARBON R	RN72K1J-331JE	1	435033314R1
PCB	R307	C-CARBON R	RN72K1J-331JE	1	435033314R1
PCB	R310	C-CARBON R	RN72K1J-331JE	1	435033314R1
PCB	R311	C-CARBON R	RN72K1J-331JE	1	435033314R1
PCB	R312	C-CARBON R	RN72K1J-331JE	1	435033314R1
PCB	R313	C-CARBON R	RN72K1J-331JE	1	435033314R1
PCB	R314	C-CARBON R	RN72K1J-331JE	1	435033314R1
PCB	R315	C-CARBON R	RN72K1J-331JE	1	435033314R1
PCB	R316	C-CARBON R	RN72K1J-331JE	1	435033314R1
PCB	R317	C-CARBON R	RN72K1J-331JE	1	435033314R1
PCB	R318	C-CARBON R	RN72K1J-331JE	1	435033314R1
PCB	R319	C-CARBON R	RN72K1J-331JE	1	435033314R1
PCB	R320	C-CARBON R	RN72K1J-331JE	1	435033314R1
PCB	R321	C-CARBON R	RN72K1J-331JE	1	435033314R1
PCB	R330	C-CARBON R	RN72K1J-471JE	1	435034714R1
PCB	R331	C-CARBON R	RN72K1J-471JE	1	435034714R1
PCB	R347	C-CARBON R	RN72K1J-103JE	1	435031034R1
PCB	R348	C-CARBON R	RN72K1J-103JE	1	435031034R1
PCB	R359	C-CARBON R	RN72K1J-271JE	1	435032714R1
PCB	R360	C-CARBON R	RN72K1J-271JE	1	435032714R1
PCB	R361	C-CARBON R	RN72K1J-103JE	1	435031034R1
PCB	R362	C-CARBON R	RN72K1J-103JE	1	435031034R1
PCB	R363	C-CARBON R	RN72K1J-103JE	1	435031034R1
PCB	R364	C-CARBON R	RN72K1J-103JE	1	435031034R1
PCB	R367	C-CARBON R	RN72K1J-102JE	1	435031024R1
PCB	R368	C-CARBON R	RN72K1J-473JE	1	435034734R1
PCB	R369	C-CARBON R	RN72K1J-222JE	1	435032224R1
PCB	R370	C-CARBON R	RN72K1J-223JE	1	435032234R1
PCB	R373	C-CARBON R	RN72K1J-471JE	1	435034714R1
PCB	R374	C-CARBON R	RN72K1J-471JE	1	435034714R1
PCB	R375	C-CARBON R	RN72K1J-471JE	1	435034714R1
PCB	R376	C-CARBON R	RN72K1J-271JE	1	435032714R1
PCB	R377	C-CARBON R	RN72K1J-223JE	1	435032234R1
PCB	R378	C-CARBON R	RN72K1J-223JE	1	435032234R1
PCB	R379	C-CARBON R	RN72K1J-223JE	1	435032234R1
PCB	R380	C-CARBON R	RN72K1J-223JE	1	435032234R1
PCB	R381	C-CARBON R	RN72K1J-223JE	1	435032234R1
PCB	R382	C-CARBON R	RN72K1J-223JE	1	435032234R1
PCB	R383	C-CARBON R	RN72K1J-103JE	1	435031034R1
PCB	R384	C-CARBON R	RN72K1J-224JE	1	435032244R1
PCB	R385	C-CARBON R	RN72K1J-101JE	1	435031014R1
PCB	R386	C-CARBON R	RN72K1J-272JE	1	435032724R1
PCB	R387	C-CARBON R	RN72K1J-272JE	1	435032724R1
PCB	R388	C-CARBON R	RN72K1J-101JE	1	435031014R1
PCB	R701	C-CARBON R	RN72K1J-470JE	1	435034704R1
PCB	R702	C-CARBON R	RN72K1J-331JE	1	435033314R1
PCB	R703	C-CARBON R	RN72K1J-472JE	1	435034724R1
PCB	R704	C-CARBON R	RN72K1J-103JE	1	435031034R1
PCB	R705	C-CARBON R	RN72K1J-331JE	1	435033314R1
PCB	R706	C-CARBON R	RN72K1J-221JE	1	435032214R1
PCB	R707	C-CARBON R	RN72K1J-221JE	1	435032214R1
PCB	R708	C-CARBON R	RN72K1J-221JE	1	435032214R1
PCB	R709	C-CARBON R	RN72K1J-103JE	1	435031034R1

PCB	R710	C-CARBON R	RN72K1J-103JE	1	435031034R1
PCB	R711	C-CARBON R	RN72K1J-103JE	1	435031034R1
PCB	R712	C-CARBON R	RN72K1J-470JE	1	435034704R1
PCB	R713	C-CARBON R	RN72K1J-470JE	1	435034704R1
PCB	R714	C-CARBON R	RN72K1J-331JE	1	435033314R1
PCB	R715	C-CARBON R	RN72K1J-331JE	1	435033314R1
PCB	R716	C-CARBON R	RN72K1J-331JE	1	435033314R1
PCB	R717	C-CARBON R	RN72K1J-331JE	1	435033314R1
PCB	R718	C-CARBON R	RN72K1J-333JE	1	435033334R1
PCB	R719	C-CARBON R	RN72K1J-331JE	1	435033314R1
PCB	R720	C-CARBON R	RN72K1J-470JE	1	435034704R1
PCB	R721	C-CARBON R	RN72K1J-472JE	1	435034724R1
PCB	R722	C-CARBON R	RN72K1J-102JE	1	435031024R1
PCB	R723	C-CARBON R	RN72K1J-472JE	1	435034724R1
PCB	R724	C-CARBON R	RN72K1J-472JE	1	435034724R1
PCB	R725	C-CARBON R	RN72K1J-470JE	1	435034704R1
PCB	R726	C-CARBON R	RN72K1J-470JE	1	435034704R1
PCB	R727	C-CARBON R	RN72K1J-470JE	1	435034704R1
PCB	R728	C-CARBON R	RN72K1J-470JE	1	435034704R1
PCB	R729	C-CARBON R	RN72K1J-470JE	1	435034704R1
PCB	R739	C-CARBON R	RN72K1J-105JE	1	435031054R1
PCB	R801	C-CARBON R	RN72K1J-470JE	1	435034704R1
PCB	R803	C-CARBON R	RN72K1J-470JE	1	435034704R1
PCB	R804	C-CARBON R	RN72K1J-470JE	1	435034704R1
PCB	R805	C-CARBON R	RN72K1J-470JE	1	435034704R1
PCB	R806	C-CARBON R	RN72K1J-470JE	1	435034704R1
PCB	R807	C-CARBON R	RN72K1J-470JE	1	435034704R1
PCB	R808	C-CARBON R	RN72K1J-470JE	1	435034704R1
PCB	R809	C-CARBON R	RN72K1J-102JE	1	435031024R1
PCB	R810	C-CARBON R	RN72K1J-102JE	1	435031024R1
PCB	R811	C-CARBON R	RN72K1J-221JE	1	435032214R1
PCB	R812	C-CARBON R	RN72K1J-221JE	1	435032214R1
PCB	R813	C-CARBON R	RN72K1J-221JE	1	435032214R1
PCB	R814	C-CARBON R	RN72K1J-221JE	1	435032214R1
PCB	R815	C-CARBON R	RN72K1J-183JE	1	435031834R1
PCB	R816	C-CARBON R	RN72K1J-331JE	1	435033314R1
PCB	R817	C-CARBON R	RN72K1J-331JE	1	435033314R1
PCB	R818	C-CARBON R	RN72K1J-331JE	1	435033314R1
PCB	R819	C-CARBON R	RN72K1J-331JE	1	435033314R1
PCB	R820	C-CARBON R	RN72K1J-103JE	1	435031034R1
PCB	R821	C-CARBON R	RN72K1J-471JE	1	435034714R1
PCB	R832	C-CARBON R	RN72K1J-104JE	1	435031044R1
PCB	R833	C-CARBON R	RN72K1J-104JE	1	435031044R1
PCB	R834	C-CARBON R	RN72K1J-104JE	1	435031044R1
PCB	R835	C-CARBON R	RN72K1J-104JE	1	435031044R1
PCB	R836	C-CARBON R	RN72K1J-104JE	1	435031044R1
PCB	R837	C-CARBON R	RN72K1J-104JE	1	435031044R1
PCB	R840	C-CARBON R	RN72K1J-222JE	1	435032224R1
PCB	R841	C-CARBON R	RN72K1J-222JE	1	435032224R1
PCB	R842	C-CARBON R	RN72K1J-222JE	1	435032224R1
PCB	R843	C-CARBON R	RN72K1J-222JE	1	435032224R1
PCB	R844	C-CARBON R	RN72K1J-222JE	1	435032224R1
PCB	R845	C-CARBON R	RN72K1J-222JE	1	435032224R1
PCB	R848	C-CARBON R	RN72K1J-222JE	1	435032224R1
PCB	R849	C-CARBON R	RN72K1J-222JE	1	435032224R1
PCB	R850	C-CARBON R	RN72K1J-222JE	1	435032224R1
PCB	R851	C-CARBON R	RN72K1J-222JE	1	435032224R1

PCB	R852	C-CARBON R	RN72K1J-222JE	1	435032224R1	
PCB	R853	C-CARBON R	RN72K1J-222JE	1	435032224R1	
PCB	R6402	METAL O R	RS1/2WBJ-10	1	442521004F	
PCB	R6403	METAL O R	RS1/2WBJ-33	1	442523304F	
PCB	R6407	METAL R	RNU1WCJ-3.3	1	452630334F	
PCB	R6410	METAL R	RNU1/2WCJ-2.2	1	453530224	
PCB	R7000	C-CARBON R	RN72K1J-101JE	1	435031014R1	
PCB	R7001	C-CARBON R	RN72K1J-222JE	1	435032224R1	
PCB	R7002	C-CARBON R	RN72K1J-222JE	1	435032224R1	
PCB	R7003	C-CARBON R	RN72K1J-103JE	1	435031034R1	<8240>, <402>
PCB	R7003	C-CARBON R	RN72K1J-103JE	1	435031034R1	<PA>, <WT>, <PT>
PCB	R7003	C-CARBON R	RN72K1J-000JE	1	435030004R1	<DD>, <DC>
PCB	R7004	C-CARBON R	RN72K1J-333JE	1	435033334R1	<8240>, <402>
PCB	R7004	C-CARBON R	RN72K1J-333JE	1	435033334R1	<PA>, <PT>
PCB	R7004	C-CARBON R	RN72K1J-103JE	1	435031034R1	<WT>
PCB	R7004	C-CARBON R	RN72K1J-102JE	1	435031024R1	<DD>, <DC>
PCB	R7011	C-CARBON R	RN72K1J-102JE	1	435031024R1	
PCB	R7012	C-CARBON R	RN72K1J-221JE	1	435032214R1	
PCB	R7015	C-CARBON R	RN72K1J-820JE	1	435038204R1	
PCB	R7016	C-CARBON R	RN72K1J-820JE	1	435038204R1	
PCB	R7017	C-CARBON R	RN72K1J-820JE	1	435038204R1	
PCB	R7018	C-CARBON R	RN72K1J-820JE	1	435038204R1	
PCB	R7019	C-CARBON R	RN72K1J-221JE	1	435032214R1	
PCB	R7020	C-CARBON R	RN72K1J-221JE	1	435032214R1	
PCB	R7021	C-CARBON R	RN72K1J-222JE	1	435032224R1	
PCB	R7022	C-CARBON R	RN72K1J-221JE	1	435032214R1	
PCB	R7023	C-CARBON R	RN72K1J-221JE	1	435032214R1	
PCB	R7024	C-CARBON R	RN72K1J-221JE	1	435032214R1	
PCB	R7025	C-CARBON R	RN72K1J-221JE	1	435032214R1	
PCB	R7026	C-CARBON R	RN72K1J-221JE	1	435032214R1	
PCB	R7027	C-CARBON R	RN72K1J-221JE	1	435032214R1	
PCB	R7028	C-CARBON R	RN72K1J-221JE	1	435032214R1	
PCB	R7029	C-CARBON R	RN72K1J-221JE	1	435032214R1	
PCB	R7030	C-CARBON R	RN72K1J-221JE	1	435032214R1	
PCB	R7033	C-CARBON R	RN72K1J-473JE	1	435034734R1	
PCB	R7034	C-CARBON R	RN72K1J-471JE	1	435034714R1	
PCB	R7035	C-CARBON R	RN72K1J-221JE	1	435032214R1	
PCB	R7036	C-CARBON R	RN72K1J-221JE	1	435032214R1	
PCB	R7037	C-CARBON R	RN72K1J-221JE	1	435032214R1	
PCB	R7038	C-CARBON R	RN72K1J-222JE	1	435032224R1	
PCB	R7039	C-CARBON R	RN72K1J-222JE	1	435032224R1	
PCB	R7040	C-CARBON R	RN72K1J-221JE	1	435032214R1	
PCB	R7041	C-CARBON R	RN72K1J-103JE	1	435031034R1	
PCB	R7042	C-CARBON R	RN72K1J-221JE	1	435032214R1	
PCB	R7043	C-CARBON R	RN72K1J-221JE	1	435032214R1	
PCB	R7044	C-CARBON R	RN72K1J-102JE	1	435031024R1	
PCB	R7045	C-CARBON R	RN72K1J-102JE	1	435031024R1	
PCB	R7046	C-CARBON R	RN72K1J-102JE	1	435031024R1	
PCB	R7047	C-CARBON R	RN72K1J-221JE	1	435032214R1	
PCB	R7048	C-CARBON R	RN72K1J-221JE	1	435032214R1	
PCB	R7049	C-CARBON R	RN72K1J-102JE	1	435031024R1	
PCB	R7050	C-CARBON R	RN72K1J-102JE	1	435031024R1	
PCB	R7051	C-CARBON R	RN72K1J-102JE	1	435031024R1	
PCB	R7052	C-CARBON R	RN72K1J-102JE	1	435031024R1	
PCB	R7053	C-CARBON R	RN72K1J-221JE	1	435032214R1	
PCB	R7054	C-CARBON R	RN72K1J-221JE	1	435032214R1	
PCB	R7055	C-CARBON R	RN72K1J-221JE	1	435032214R1	

PCB	R7056	C-CARBON R	RN72K1J-102JE	1	435031024R1	
PCB	R7057	C-CARBON R	RN72K1J-102JE	1	435031024R1	
PCB	R7058	C-CARBON R	RN72K1J-102JE	1	435031024R1	
PCB	R7059	C-CARBON R	RN72K1J-221JE	1	435032214R1	
PCB	R7060	C-CARBON R	RN72K1J-473JE	1	435034734R1	
PCB	R7062	C-CARBON R	RN72K1J-224JE	1	435032244R1	
PCB	R7063	C-CARBON R	RN72K1J-102JE	1	435031024R1	
PCB	R7064	C-CARBON R	RN72K1J-102JE	1	435031024R1	
PCB	R7065	C-CARBON R	RN72K1J-102JE	1	435031024R1	
PCB	R7066	C-CARBON R	RN72K1J-102JE	1	435031024R1	
PCB	R7067	C-CARBON R	RN72K1J-221JE	1	435032214R1	
PCB	R7068	C-CARBON R	RN72K1J-221JE	1	435032214R1	
PCB	R7069	C-CARBON R	RN72K1J-221JE	1	435032214R1	
PCB	R7070	C-CARBON R	RN72K1J-221JE	1	435032214R1	
PCB	R7071	C-CARBON R	RN72K1J-472JE	1	435034724R1	
PCB	R7072	C-CARBON R	RN72K1J-221JE	1	435032214R1	
PCB	R7073	C-CARBON R	RN72K1J-221JE	1	435032214R1	
PCB	R7074	C-CARBON R	RN72K1J-221JE	1	435032214R1	
PCB	R7075	C-CARBON R	RN72K1J-221JE	1	435032214R1	
PCB	R7076	C-CARBON R	RN72K1J-102JE	1	435031024R1	
PCB	R7077	C-CARBON R	RN72K1J-102JE	1	435031024R1	
PCB	R7078	C-CARBON R	RN72K1J-333JE	1	435033334R1	
PCB	R7079	C-CARBON R	RN72K1J-333JE	1	435033334R1	
PCB	R7080	C-CARBON R	RN72K1J-103JE	1	435031034R1	
PCB	R7081	C-CARBON R	RN72K1J-221JE	1	435032214R1	
PCB	R7082	C-CARBON R	RN72K1J-221JE	1	435032214R1	
PCB	R7083	C-CARBON R	RN72K1J-221JE	1	435032214R1	
PCB	R7084	C-CARBON R	RN72K1J-221JE	1	435032214R1	
PCB	R7085	C-CARBON R	RN72K1J-221JE	1	435032214R1	
PCB	R7120	C-CARBON R	RN72K1J-102JE	1	435031024R1	
PCB	R7134	C-CARBON R	RN72K1J-102JE	1	435031024R1	
PCB	R7138	C-CARBON R	RN72K1J-223JE	1	435032234R1	
PCB	R7178	C-CARBON R	RN72K1J-563JE	1	435035634R1	
PCB	R7179	C-CARBON R	RN72K1J-472JE	1	435034724R1	<420>
PCB	R7179	C-CARBON R	RN72K1J-103JE	1	435031034R1	<402>, <8240>
PCB	R7180	C-CARBON R	RN72K1J-333JE	1	435033334R1	
PCB	R7839	C-CARBON R	RN72K1J-223JE	1	435032234R1	
PCB	R9506	METAL O R	RS1/2WBJ-22	1	443522204T	
PCB	R9507	C-CARBON R	RN72K1J-153JE	1	435031534R1	
PCB	R9508	C-CARBON R	RN72K1J-153JE	1	435031534R1	
PCB	R9509	C-CARBON R	RN72K1J-104JE	1	435031044R1	
PCB	P101	SOCKET	NSCT-15P2108	1	25052211	
PCB	P101 or	SOCKET	NSCT-15P1811	(1)	25052024	
PCB	P301	PIN JACK	NPJ-6PDRW386	1	25045571	
PCB	P301 or	JACK	NPJ-6PDBL159	(1)	25045300	
PCB	P302	JACK	NPJ-2PDBL185	1	25045333	
PCB	P304	PIN JACK	NPJ-6PDRW386	1	25045571	
PCB	P304 or	JACK	NPJ-6PDBL159	(1)	25045300	
PCB	P305	PIN JACK	NPJ-6PWRLGGP493	1	25045697	
PCB	P306	SOCKET AS	NSAS-20P1004	1	2009990717UL	
PCB	P351	PIN JACK	NPJ-1PDP510	1	25045720	
PCB	P410B	PLUG	NPLG-10P662	1	25055706	
PCB	P411B	PLUG	NPLG-10P662	1	25055706	
PCB	P412B	PLUG	NPLG-8P660	1	25055704	
PCB	P6403	RETAINER	KANAGU	1	27141059	
PCB	P701	PWB	NCDG-7401	1	25137401C	
PCB	P7502B	SOCKET	NSCT-10P2473	1	25052576R2	

PCB	P801	PLUG	NPLG-14P666	1	25055710	
PCB	E300	RETAINER	KANAGU	1	27141059	
PCB						
PCB	U2	DISPLAY PC BOARD(NADIS-7403-3A/3B)				
PCB	U3	SWITCH PC BOARD(NASW-7404-3A/3B)				
PCB	U4	HEADPHONE JACK PC BOARD(NAETC-7405-3A/3B)				
PCB		<Note> Parts are indicated collectively, without dividing for above-mentioned each substrate.				
PCB	REF NO.	NAME	DESCRIPTION	Q'TY	PART NO.	REMARKS
PCB	U7501	REMO SENS	SPS-444-1-VP	1	241352	
PCB	Q7501	FL TUBE	16BT123GK	1	212250	
PCB	Q7501A	HOLDER	(FL)	1	27190989B	
PCB	Q7502	IC	MPD780232GC-030-8BT	1	22241571R3	
PCB	Q7503	TR	KTC3875-GR	1	2216175R2	
PCB	Q7503 or	TR	2SC2712-GR	(1)	2213145R2	
PCB	Q7504	TR	KRA103S	1	2216230R2	
PCB	Q7504 or	TR	RN2403	(1)	2214540R2	
PCB	Q7506	TR	KRC102S	1	2216190R2	
PCB	Q7506 or	TR	RN1402	(1)	2214470R2	
PCB	D7501	ZENER D	UDZS8.2B	1	224550820R2	
PCB	D7501 or	ZENER D	UDZ8.2B	(1)	224490820R2	
PCB	D7501 or	ZENER D	HZU8.2B	(1)	224660824R2	
PCB	D7502	ZENER D	UDZS5.1B	1	224550510R2	
PCB	D7502 or	ZENER D	UDZ5.1B	(1)	224490510R2	
PCB	D7502 or	ZENER D	HZU5.1B	(1)	224660514R2	
PCB	D7503	C-DIODE	1SS355	1	223269R2	
PCB	D7503 or	C-DIODE	1SS352	(1)	223234R2	
PCB	D7505	LED	SLR-56VRTB7	1	225431	
PCB	D7505 or	LED	SEL4110R	(1)	225290	
PCB	D7507	C-DIODE	1SS355	1	223269R2	
PCB	D7507 or	C-DIODE	1SS352	(1)	223234R2	
PCB	L7504	CHOKO COIL	NCH-1477	1	231237K220R2	
PCB	L7505	CHOKO COIL	NCH-1477	1	231237K220R2	
PCB	X7501	CERA LOCK	CST5.00MGW	1	3010242	
PCB	C253	C-CERA C	CK725F1E-104Z1	1	332161040R1	
PCB	C261	C-CERA C	CC725CH1H-101J1	1	342101014R1	<8240>, <402>
PCB	C261	C-CERA C	CC725CH1H-101J1	1	342101014R1	<PA>, <WT>, <PT>
PCB	C261	C-CERA C	CC725CH1H-471J1	1	342104714R1	<DD>, <DC>
PCB	C262	C-CERA C	CC725CH1H-101J1	1	342101014R1	<8240>, <402>
PCB	C262	C-CERA C	CC725CH1H-101J1	1	342101014R1	<PA>, <WT>, <PT>
PCB	C262	C-CERA C	CC725CH1H-471J1	1	342104714R1	<DD>, <DC>
PCB	C263	C-CERA C	CK725F1E-104Z1	1	332161040R1	
PCB	C7501	C-CERA C	CK725F1E-104Z1	1	332161040R1	
PCB	C7502	ELECT C	CE04W50V-33M	1	355783309T	
PCB	C7503	C-CERA C	CK725F1E-104Z1	1	332161040R1	
PCB	C7504	C-CERA C	CK725F1H-473Z1	1	332154730R1	
PCB	C7505	C-CERA C	CK725F1H-473Z1	1	332154730R1	
PCB	C7506	C-CERA C	CK725F1E-104Z1	1	332161040R1	
PCB	C7507	C-CERA C	CK725F1E-104Z1	1	332161040R1	
PCB	C7508	C-CERA C	CC725CH1E-102J1	1	342111024R1	
PCB	C7509	C-CERA C	CC725CH1E-102J1	1	342111024R1	
PCB	C7510	C-CERA C	CC725CH1E-102J1	1	342111024R1	
PCB	C7511	C-CERA C	CC725CH1E-102J1	1	342111024R1	
PCB	C7513	C-CERA C	CK725F1E-104Z1	1	332161040R1	
PCB	C7514	VR C	CE04W6.3V-100M(VR)	1	394621017	
PCB	C7514 or	ELECT C	CE04W6.3V100M(SC)	(1)	394721017	
PCB	C7515	C-CERA C	CK725F1E-104Z1	1	332161040R1	
PCB	C7516	C-CERA C	CK725F1E-104Z1	1	332161040R1	

PCB	C7517	C-CERA C	CC725CH1E-102J1	1	342111024R1
PCB	C7518	C-CERA C	CC725CH1E-102J1	1	342111024R1
PCB	C7519	C-CERA C	CC725CH1E-102J1	1	342111024R1
PCB	C7520	C-CERA C	CC725CH1E-102J1	1	342111024R1
PCB	C7521	ELECT C	CE04W6.3V-220M	1	355722219
PCB	C7522	C-CERA C	CC725CH1H-101J1	1	342101014R1
PCB	C7523	C-CERA C	CC725CH1E-102J1	1	342111024R1
PCB	R7501	C-CARBON R	RN72K1J-221JE	1	435032214R1
PCB	R7502	C-CARBON R	RN72K1J-221JE	1	435032214R1
PCB	R7503	C-CARBON R	RN72K1J-103JE	1	435031034R1
PCB	R7504	C-CARBON R	RN72K1J-473JE	1	435034734R1
PCB	R7505	C-CARBON R	RN72K1J-224JE	1	435032244R1
PCB	R7506	C-CARBON R	RN72K1J-472JE	1	435034724R1
PCB	R7507	C-CARBON R	RN72K1J-472JE	1	435034724R1
PCB	R7508	C-CARBON R	RN72K1J-472JE	1	435034724R1
PCB	R7509	C-CARBON R	RN72K1J-472JE	1	435034724R1
PCB	R7510	C-CARBON R	RN72K1J-102JE	1	435031024R1
PCB	R7511	C-CARBON R	RN72K1J-102JE	1	435031024R1
PCB	R7512	C-CARBON R	RN72K1J-103JE	1	435031034R1
PCB	R7513	C-CARBON R	RN72K1J-103JE	1	435031034R1
PCB	R7514	C-CARBON R	RN72K1J-103JE	1	435031034R1
PCB	R7515	C-CARBON R	RN72K1J-103JE	1	435031034R1
PCB	R7516	C-CARBON R	RN72K1J-103JE	1	435031034R1
PCB	R7517	C-CARBON R	RN72K1J-102JE	1	435031024R1
PCB	R7518	C-CARBON R	RN72K1J-104JE	1	435031044R1
PCB	R7519	C-CARBON R	RN72K1J-104JE	1	435031044R1
PCB	R7520	C-CARBON R	RN72K1J-272JE	1	435032724R1
PCB	R7521	C-CARBON R	RN72K1J-272JE	1	435032724R1
PCB	R7522	C-CARBON R	RN72K1J-272JE	1	435032724R1
PCB	R7523	C-CARBON R	RN72K1J-272JE	1	435032724R1
PCB	R7524	C-CARBON R	RN72K1J-102JE	1	435031024R1
PCB	R7526	C-CARBON R	RN72K1J-103JE	1	435031034R1
PCB	R7527	C-CARBON R	RN72K1J-103JE	1	435031034R1
PCB	R7528	C-CARBON R	RN72K1J-561JE	1	435035614R1
PCB	R7529	C-CARBON R	RN72K1J-561JE	1	435035614R1
PCB	R7530	C-CARBON R	RN72K1J-102JE	1	435031024R1
PCB	R7531	C-CARBON R	RN72K1J-221JE	1	435032214R1
PCB	R7532	C-CARBON R	RN72K1J-103JE	1	435031034R1
PCB	R7611	C-CARBON R	RN72K1J-331JE	1	435033314R1
PCB	R7612	C-CARBON R	RN72K1J-471JE	1	435034714R1
PCB	R7613	C-CARBON R	RN72K1J-561JE	1	435035614R1
PCB	R7614	C-CARBON R	RN72K1J-821JE	1	435038214R1
PCB	R7615	C-CARBON R	RN72K1J-122JE	1	435031224R1
PCB	R7621	C-CARBON R	RN72K1J-331JE	1	435033314R1
PCB	R7622	C-CARBON R	RN72K1J-471JE	1	435034714R1
PCB	R7623	C-CARBON R	RN72K1J-561JE	1	435035614R1
PCB	R7624	C-CARBON R	RN72K1J-821JE	1	435038214R1
PCB	R7625	C-CARBON R	RN72K1J-122JE	1	435031224R1
PCB	R7626	C-CARBON R	RN72K1J-222JE	1	435032224R1
PCB	R7631	C-CARBON R	RN72K1J-331JE	1	435033314R1
PCB	R7632	C-CARBON R	RN72K1J-471JE	1	435034714R1
PCB	R7633	C-CARBON R	RN72K1J-561JE	1	435035614R1
PCB	R7634	C-CARBON R	RN72K1J-821JE	1	435038214R1
PCB	R7635	C-CARBON R	RN72K1J-122JE	1	435031224R1
PCB	R7636	C-CARBON R	RN72K1J-222JE	1	435032224R1
PCB	R7641	C-CARBON R	RN72K1J-331JE	1	435033314R1
PCB	R7642	C-CARBON R	RN72K1J-471JE	1	435034714R1

PCB	R7643	C-CARBON R	RN72K1J-561JE	1	435035614R1
PCB	R7644	C-CARBON R	RN72K1J-821JE	1	435038214R1
PCB	R7645	C-CARBON R	RN72K1J-122JE	1	435031224R1
PCB	R7646	C-CARBON R	RN72K1J-222JE	1	435032224R1
PCB	P7501	ST JACK	YKB21-5005	1	25045724
PCB	P7502A	SOCKET	NSCT-10P1679	1	25051892
PCB	P7502Aor	SOCKET	NSCT-10P2374	(1)	25052477
PCB	P7503A	SOCKET	NSCT-8P1841	1	25052054
PCB	P7503Aor	SOCKET	NSCT-8P1639	(1)	25051852
PCB	P7503Aor	SOCKET	NSCT-8P2138	(1)	25052241
PCB	S7501	R ENCODE	EC12E2425	1	25065655
PCB	S7611	PUSH SW	NPS-111-S681	1	25035718
PCB	S7611 or	PUSH SW	NPS-111-S677	(1)	25035714
PCB	S7612	PUSH SW	NPS-111-S681	1	25035718
PCB	S7612 or	PUSH SW	NPS-111-S677	(1)	25035714
PCB	S7613	PUSH SW	NPS-111-S681	1	25035718
PCB	S7613 or	PUSH SW	NPS-111-S677	(1)	25035714
PCB	S7614	PUSH SW	NPS-111-S681	1	25035718
PCB	S7614 or	PUSH SW	NPS-111-S677	(1)	25035714
PCB	S7615	PUSH SW	NPS-111-S681	1	25035718
PCB	S7615 or	PUSH SW	NPS-111-S677	(1)	25035714
PCB	S7616	PUSH SW	NPS-111-S681	1	25035718
PCB	S7616 or	PUSH SW	NPS-111-S677	(1)	25035714
PCB	S7621	PUSH SW	NPS-111-S681	1	25035718
PCB	S7621 or	PUSH SW	NPS-111-S677	(1)	25035714
PCB	S7622	PUSH SW	NPS-111-S681	1	25035718
PCB	S7622 or	PUSH SW	NPS-111-S677	(1)	25035714
PCB	S7623	PUSH SW	NPS-111-S681	1	25035718
PCB	S7623 or	PUSH SW	NPS-111-S677	(1)	25035714
PCB	S7624	PUSH SW	NPS-111-S681	1	25035718
PCB	S7624 or	PUSH SW	NPS-111-S677	(1)	25035714
PCB	S7625	PUSH SW	NPS-111-S681	1	25035718
PCB	S7625 or	PUSH SW	NPS-111-S677	(1)	25035714
PCB	S7626	PUSH SW	NPS-111-S681	1	25035718
PCB	S7626 or	PUSH SW	NPS-111-S677	(1)	25035714
PCB	S7627	PUSH SW	NPS-111-S681	1	25035718
PCB	S7627 or	PUSH SW	NPS-111-S677	(1)	25035714
PCB	S7631	PUSH SW	NPS-111-S681	1	25035718
PCB	S7631 or	PUSH SW	NPS-111-S677	(1)	25035714
PCB	S7632	PUSH SW	NPS-111-S681	1	25035718
PCB	S7632 or	PUSH SW	NPS-111-S677	(1)	25035714
PCB	S7633	PUSH SW	NPS-111-S681	1	25035718
PCB	S7633 or	PUSH SW	NPS-111-S677	(1)	25035714
PCB	S7634	PUSH SW	NPS-111-S681	1	25035718
PCB	S7634 or	PUSH SW	NPS-111-S677	(1)	25035714
PCB	S7635	PUSH SW	NPS-111-S681	1	25035718
PCB	S7635 or	PUSH SW	NPS-111-S677	(1)	25035714
PCB	S7636	PUSH SW	NPS-111-S681	1	25035718
PCB	S7636 or	PUSH SW	NPS-111-S677	(1)	25035714
PCB	S7637	PUSH SW	NPS-111-S681	1	25035718
PCB	S7637 or	PUSH SW	NPS-111-S677	(1)	25035714
PCB	S7641	PUSH SW	NPS-111-S681	1	25035718
PCB	S7641 or	PUSH SW	NPS-111-S677	(1)	25035714
PCB	S7642	PUSH SW	NPS-111-S681	1	25035718
PCB	S7642 or	PUSH SW	NPS-111-S677	(1)	25035714
PCB	S7643	PUSH SW	NPS-111-S681	1	25035718
PCB	S7643 or	PUSH SW	NPS-111-S677	(1)	25035714

PCB	S7644	PUSH SW	NPS-111-S681	1	25035718	
PCB	S7644 or	PUSH SW	NPS-111-S677	(1)	25035714	
PCB	S7645	PUSH SW	NPS-111-S681	1	25035718	
PCB	S7645 or	PUSH SW	NPS-111-S677	(1)	25035714	
PCB	S7646	PUSH SW	NPS-111-S681	1	25035718	
PCB	S7646 or	PUSH SW	NPS-111-S677	(1)	25035714	
PCB	S7647	PUSH SW	NPS-111-S681	1	25035718	
PCB	S7647 or	PUSH SW	NPS-111-S677	(1)	25035714	
PCB	E7501	RETAINER	KANAGU(7-7)	1	27141059	
PCB	JL7501A	WIRE HOL	NSCT-3P894	1	25051107	
PCB	JL7501B	WIRE HOL	NSCT-3P894	1	25051107	
PCB	JL7502A	WIRE HOL	NSCT-5P896	1	25051109	
PCB	JL7502B	WIRE HOL	NSCT-5P896	1	25051109	

PCB

PCB

PCB	U8	DRIVER AMPLIFIER PC BOARD(NAAF-7866-2A/2B/2C)
PCB	U9	VIDEO & OPT TERMINAL PC BOARD(NAVD-7867-2A/2B/2C)
PCB	U10	REGULATOR PC BOARD(NAETC-7868-2A/2B/2C)
PCB	U11	TERMINAL PC BOARD(NAETC-7869--2A/2B/2C)
PCB	U12	SPEAKER TERMINAL PC BOARD(NAETC-7870-2A/2B/2C)
PCB	U15	S VIDEO TERMINAL PC BOARD(NAVD-7873-2A/2B/2C)
PCB	U16	TERMINAL PC BOARD(NAETC-7874-2A/2B/2C)

PCB <Note> Parts are indicated collectively, without dividing for above-mentioned each substrate.

PCB	REF NO.	NAME	DESCRIPTION	QTY	PART NO.	REMARKS
PCB	U281	PHT CP	TORX179L	1	24120101	
PCB	Q201	TR	RN1241-A	1	2213631	
PCB	Q201 or	TR	RN1241-B	(1)	2213632	
PCB	Q202	TR	RN1241-A	1	2213631	
PCB	Q202 or	TR	RN1241-B	(1)	2213632	
PCB	Q203	IC	LA7956	1	22241759	
PCB	Q204	TR	KTA1267-GR	1	2215995	
PCB	Q204 or	TR	2SA933S-R	(1)	2213354	
PCB	Q205	TR	KRA102M	1	2215770	
PCB	Q205 or	TR	DTA114ES	(1)	2213510	
PCB	Q206	TR	KRA102M	1	2215770	
PCB	Q206 or	TR	DTA114ES	(1)	2213510	
PCB	Q207	TR	RN1241-A	1	2213631	
PCB	Q207 or	TR	RN1241-B	(1)	2213632	
PCB	Q208	TR	RN1241-A	1	2213631	
PCB	Q208 or	TR	RN1241-B	(1)	2213632	
PCB	Q209	TR	KTA1267-GR	1	2215995	
PCB	Q209 or	TR	2SA933S-R	(1)	2213354	
PCB	Q210	TR	RN1241-A	1	2213631	
PCB	Q210 or	TR	RN1241-B	(1)	2213632	
PCB	Q211	TR	RN1241-A	1	2213631	
PCB	Q211 or	TR	RN1241-B	(1)	2213632	
PCB	Q212	IC	LA7956	1	22241759	
PCB	Q213	IC	LA7956	1	22241759	
PCB	Q281	IC	74HCU04F	1	222740046R2	
PCB	Q5000	TR	KTC3200-BL	1	2215896	
PCB	Q5000 or	TR	2SC1775A-E	(1)	2210755	
PCB	Q5000 or	TR	2SC1775A-F	(1)	2210756	
PCB	Q5000 or	TR	2SC1845-E	(1)	2211733	
PCB	Q5001	TR	KTC3200-BL	1	2215896	
PCB	Q5001 or	TR	2SC1775A-E	(1)	2210755	
PCB	Q5001 or	TR	2SC1775A-F	(1)	2210756	
PCB	Q5001 or	TR	2SC1845-E	(1)	2211733	

PCB	Q5002	TR	KTC3200-BL	1	2215896	
PCB	Q5002 or	TR	2SC1775A-E	(1)	2210755	
PCB	Q5002 or	TR	2SC1775A-F	(1)	2210756	
PCB	Q5002 or	TR	2SC1845-E	(1)	2211733	
PCB	Q5003	TR	KTC3200-BL	1	2215896	
PCB	Q5003 or	TR	2SC1775A-E	(1)	2210755	
PCB	Q5003 or	TR	2SC1775A-F	(1)	2210756	
PCB	Q5003 or	TR	2SC1845-E	(1)	2211733	
PCB	Q5004	TR	KTC3200-BL	1	2215896	
PCB	Q5004 or	TR	2SC1775A-E	(1)	2210755	
PCB	Q5004 or	TR	2SC1775A-F	(1)	2210756	
PCB	Q5004 or	TR	2SC1845-E	(1)	2211733	
PCB	Q5010	TR	KTC3200-BL	1	2215896	
PCB	Q5010 or	TR	2SC1775A-E	(1)	2210755	
PCB	Q5010 or	TR	2SC1775A-F	(1)	2210756	
PCB	Q5010 or	TR	2SC1845-E	(1)	2211733	
PCB	Q5011	TR	KTC3200-BL	1	2215896	
PCB	Q5011 or	TR	2SC1775A-E	(1)	2210755	
PCB	Q5011 or	TR	2SC1775A-F	(1)	2210756	
PCB	Q5011 or	TR	2SC1845-E	(1)	2211733	
PCB	Q5012	TR	KTC3200-BL	1	2215896	
PCB	Q5012 or	TR	2SC1775A-E	(1)	2210755	
PCB	Q5012 or	TR	2SC1775A-F	(1)	2210756	
PCB	Q5012 or	TR	2SC1845-E	(1)	2211733	
PCB	Q5013	TR	KTC3200-BL	1	2215896	
PCB	Q5013 or	TR	2SC1775A-E	(1)	2210755	
PCB	Q5013 or	TR	2SC1775A-F	(1)	2210756	
PCB	Q5013 or	TR	2SC1845-E	(1)	2211733	
PCB	Q5014	TR	KTC3200-BL	1	2215896	
PCB	Q5014 or	TR	2SC1775A-E	(1)	2210755	
PCB	Q5014 or	TR	2SC1775A-F	(1)	2210756	
PCB	Q5014 or	TR	2SC1845-E	(1)	2211733	
PCB	Q5030	TR	KTA1024-Y	1	2215844	
PCB	Q5030 or	TR	KTA1024-O	(1)	2215843	
PCB	Q5030 or	TR	2SA949-Y	(1)	2211354	
PCB	Q5030 or	TR	2SA949-O	(1)	2211353	
PCB	Q5031	TR	KTA1024-Y	1	2215844	
PCB	Q5031 or	TR	KTA1024-O	(1)	2215843	
PCB	Q5031 or	TR	2SA949-Y	(1)	2211354	
PCB	Q5031 or	TR	2SA949-O	(1)	2211353	
PCB	Q5032	TR	KTA1024-Y	1	2215844	
PCB	Q5032 or	TR	KTA1024-O	(1)	2215843	
PCB	Q5032 or	TR	2SA949-Y	(1)	2211354	
PCB	Q5032 or	TR	2SA949-O	(1)	2211353	
PCB	Q5033	TR	KTA1024-Y	1	2215844	
PCB	Q5033 or	TR	KTA1024-O	(1)	2215843	
PCB	Q5033 or	TR	2SA949-Y	(1)	2211354	
PCB	Q5033 or	TR	2SA949-O	(1)	2211353	
PCB	Q5034	TR	KTA1024-Y	1	2215844	
PCB	Q5034 or	TR	KTA1024-O	(1)	2215843	
PCB	Q5034 or	TR	2SA949-Y	(1)	2211354	
PCB	Q5034 or	TR	2SA949-O	(1)	2211353	
PCB	Q5040	TR	KTC3206-Y	1	2215854	
PCB	Q5040 or	TR	KTC3206-O	(1)	2215853	
PCB	Q5040 or	TR	2SC2229-Y	(1)	2211634	
PCB	Q5040 or	TR	2SC2229-O	(1)	2211633	
PCB	Q5041	TR	KTC3206-Y	1	2215854	

PCB	Q5041 or	TR	KTC3206-O	(1)	2215853	
PCB	Q5041 or	TR	2SC2229-Y	(1)	2211634	
PCB	Q5041 or	TR	2SC2229-O	(1)	2211633	
PCB	Q5042	TR	KTC3206-Y	1	2215854	
PCB	Q5042 or	TR	KTC3206-O	(1)	2215853	
PCB	Q5042 or	TR	2SC2229-Y	(1)	2211634	
PCB	Q5042 or	TR	2SC2229-O	(1)	2211633	
PCB	Q5043	TR	KTC3206-Y	1	2215854	
PCB	Q5043 or	TR	KTC3206-O	(1)	2215853	
PCB	Q5043 or	TR	2SC2229-Y	(1)	2211634	
PCB	Q5043 or	TR	2SC2229-O	(1)	2211633	
PCB	Q5044	TR	KTC3206-Y	1	2215854	
PCB	Q5044 or	TR	KTC3206-O	(1)	2215853	
PCB	Q5044 or	TR	2SC2229-Y	(1)	2211634	
PCB	Q5044 or	TR	2SC2229-O	(1)	2211633	
PCB	Q5050	TR	KTC3200-BL	1	2215896	<420>
PCB	Q5050 or	TR	2SC1775A-E	(1)	2210755	
PCB	Q5050 or	TR	2SC1775A-F	(1)	2210756	
PCB	Q5050 or	TR	2SC1845-F	(1)	2211732	
PCB	Q5050 or	TR	2SC1845-E	(1)	2211733	
PCB	Q5050 or	TR	KTC3200-GR	(1)	2215895	
PCB	Q5050	TR	KTC3199-GR	1	2215864	<402>, <8240>
PCB	Q5050 or	TR	2SC2458-GR	(1)	2212115	
PCB	Q5050 or	TR	2SC1740S-R	(1)	2213284	
PCB	Q5050 or	TR	2SC1740S-S	(1)	2213285	
PCB	Q5051	TR	KTC3200-BL	1	2215896	<420>
PCB	Q5051 or	TR	2SC1775A-E	(1)	2210755	
PCB	Q5051 or	TR	2SC1775A-F	(1)	2210756	
PCB	Q5051 or	TR	2SC1845-F	(1)	2211732	
PCB	Q5051 or	TR	2SC1845-E	(1)	2211733	
PCB	Q5051 or	TR	KTC3200-GR	(1)	2215895	
PCB	Q5051	TR	KTC3199-GR	1	2215864	<402>, <8240>
PCB	Q5051 or	TR	2SC2458-GR	(1)	2212115	
PCB	Q5051 or	TR	2SC1740S-R	(1)	2213284	
PCB	Q5051 or	TR	2SC1740S-S	(1)	2213285	
PCB	Q5052	TR	KTC3200-BL	1	2215896	<420>
PCB	Q5052 or	TR	2SC1775A-E	(1)	2210755	
PCB	Q5052 or	TR	2SC1775A-F	(1)	2210756	
PCB	Q5052 or	TR	2SC1845-F	(1)	2211732	
PCB	Q5052 or	TR	2SC1845-E	(1)	2211733	
PCB	Q5052 or	TR	KTC3200-GR	(1)	2215895	
PCB	Q5052	TR	KTC3199-GR	1	2215864	<402>, <8240>
PCB	Q5052 or	TR	2SC2458-GR	(1)	2212115	
PCB	Q5052 or	TR	2SC1740S-R	(1)	2213284	
PCB	Q5052 or	TR	2SC1740S-S	(1)	2213285	
PCB	Q5053	TR	KTC3200-BL	1	2215896	<420>
PCB	Q5053 or	TR	2SC1775A-E	(1)	2210755	
PCB	Q5053 or	TR	2SC1775A-F	(1)	2210756	
PCB	Q5053 or	TR	2SC1845-F	(1)	2211732	
PCB	Q5053 or	TR	2SC1845-E	(1)	2211733	
PCB	Q5053 or	TR	KTC3200-GR	(1)	2215895	
PCB	Q5053	TR	KTC3199-GR	1	2215864	<402>, <8240>
PCB	Q5053 or	TR	2SC2458-GR	(1)	2212115	
PCB	Q5053 or	TR	2SC1740S-R	(1)	2213284	
PCB	Q5053 or	TR	2SC1740S-S	(1)	2213285	
PCB	Q5054	TR	KTC3200-BL	1	2215896	<420>
PCB	Q5054 or	TR	KTC3200-GR	(1)	2215900	

PCB	Q5054 or	TR	2SC1775A-E	(1)	2215901	
PCB	Q5054 or	TR	2SC1775A-F	(1)	2215902	
PCB	Q5054 or	TR	2SC1845-E	(1)	2215903	
PCB	Q5054 or	TR	2SC1845-F	(1)	2215904	
PCB	Q5054	TR	KTC3199-GR	1	2215864	<402>, <8240>
PCB	Q5054 or	TR	2SC1740S-R	(1)	2215897	
PCB	Q5054 or	TR	2SC1740S-S	(1)	2215898	
PCB	Q5054 or	TR	2SC2458-GR	(1)	2215899	
PCB	Q6931	IC(REGURATOR)	78057HF(TA78057S)	1	222780574TOS	
PCB	D5000	ZENER D	MTZJ5.6B	1	224470562	
PCB	D5001	ZENER D	MTZJ5.6B	1	224470562	
PCB	D5002	ZENER D	MTZJ5.6B	1	224470562	
PCB	D5003	ZENER D	MTZJ5.6B	1	224470562	
PCB	D5004	ZENER D	MTZJ5.6B	1	224470562	
PCB	D6600	DIODE	1SS133	1	223163	
PCB	D6600 or	DIODE	1SS270A	(1)	223205	
PCB	D6600 or	DIODE	WG713A	(1)	223222	
PCB	D6601	DIODE	1SS133	1	223163	
PCB	D6601 or	DIODE	1SS270A	(1)	223205	
PCB	D6601 or	DIODE	WG713A	(1)	223222	
PCB	D6604	DIODE	1SS133	1	223163	
PCB	D6604 or	DIODE	1SS270A	(1)	223205	
PCB	D6604 or	DIODE	WG713A	(1)	223222	
PCB	D6932	DIODE	RL1N4003	1	22380260	
PCB	D6932 or	DIODE	GP104003E	(1)	22380035	
PCB	D6933	DIODE	RL1N4003	1	22380260	
PCB	D6933 or	DIODE	GP104003E	(1)	22380035	
PCB	L281	CHOKE COIL	NCH-1452 220K	1	233454K220	
PCB	L281 or	CHOKE COIL	NCH-1561 220K	(1)	233526K220	
PCB	L282	CHOKE COIL	NCH-1452 220K	1	233454K220	
PCB	L282 or	CHOKE COIL	NCH-1561 220K	(1)	233526K220	
PCB	L283	CHOKE COIL	NCH-1452 022M	1	233454M022	
PCB	L283 or	CHOKE COIL	NCH-1561 022K	(1)	233526K022	
PCB	L6800	S COIL	S-1.3C	1	231176	
PCB	L6801	S COIL	S-1.3C	1	231176	
PCB	L6802	S COIL	S-1.3C	1	231176	
PCB	L6803	S COIL	S-1.3C	1	231176	
PCB	L6804	S COIL	S-1.3C	1	231176	
PCB	C201	VR C	CE04W50V-2.2M(VR)	1	394680227	
PCB	C201 or	ELECT C	CE04W50V2.2M(SC)	(1)	394780227	
PCB	C202	VR C	CE04W50V-2.2M(VR)	1	394680227	
PCB	C202 or	ELECT C	CE04W50V2.2M(SC)	(1)	394780227	
PCB	C203	VR C	CE04W16V-470M(VR)	1	394644717	
PCB	C203 or	ELECT C	CE04W16V470M(SC)	(1)	394744717	
PCB	C204	VR C	CE04W50V-2.2M(VR)	1	394680227	
PCB	C204 or	ELECT C	CE04W50V2.2M(SC)	(1)	394780227	
PCB	C205	VR C	CE04W16V-470M(VR)	1	394644717	
PCB	C205 or	ELECT C	CE04W16V470M(SC)	(1)	394744717	
PCB	C206	CERA C	CK45F50V-223Z	1	335622230	
PCB	C207	VR C	CE04W50V-2.2M(VR)	1	394680227	
PCB	C207 or	ELECT C	CE04W50V2.2M(SC)	(1)	394780227	
PCB	C208	CERA C	CK45F50V-223Z	1	335622230	
PCB	C209	VR C	CE04W50V-2.2M(VR)	1	394680227	
PCB	C209 or	ELECT C	CE04W50V2.2M(SC)	(1)	394780227	
PCB	C210	CERA C	CK45F50V-223Z	1	335622230	
PCB	C211	VR C	CE04W16V-470M(VR)	1	394644717	
PCB	C211 or	ELECT C	CE04W16V470M(SC)	(1)	394744717	

PCB	C212	CERA C	CK45F50V-223Z	1	335622230
PCB	C213	VR C	CE04W50V-2.2M(VR)	1	394680227
PCB	C213 or	ELECT C	CE04W50V2.2M(SC)	(1)	394780227
PCB	C214	CERA C	CK45F50V-223Z	1	335622230
PCB	C215	VR C	CE04W16V-470M(VR)	1	394644717
PCB	C215 or	ELECT C	CE04W16V470M(SC)	(1)	394744717
PCB	C217	VR C	CE04W50V-2.2M(VR)	1	394680227
PCB	C217 or	ELECT C	CE04W50V2.2M(SC)	(1)	394780227
PCB	C220	CERA C	CK45F50V-223Z	1	335622230
PCB	C221	VR C	CE04W16V-47M(VR)	1	394644707
PCB	C221 or	ELECT C	CE04W16V47M(SC)	(1)	394744707
PCB	C222	CERA C	CK45F50V-223Z	1	335622230
PCB	C223	VR C	CE04W16V-47M(VR)	1	394644707
PCB	C223 or	ELECT C	CE04W16V47M(SC)	(1)	394744707
PCB	C224	CERA C	CK45F50V-223Z	1	335622230
PCB	C225	VR C	CE04W16V-47M(VR)	1	394644707
PCB	C225 or	ELECT C	CE04W16V47M(SC)	(1)	394744707
PCB	C226	CERA C	CK45F50V-223Z	1	335622230
PCB	C227	CERA C	CK45F50V-223Z	1	335622230
PCB	C231	CERA C	CK45F50V-223Z	1	335622230
PCB	C232	CERA C	CK45F50V-223Z	1	335622230
PCB	C281	CERA C	CK45F50V-223Z	1	335622230
PCB	C282	CERA C	CC45SL50V-101J	1	345021014
PCB	C283	CERA C	CK45F50V-223Z	1	335622230
PCB	C284	CERA C	CC45SL50V-080D	1	345020802
PCB	C285	VR C	CE04W6.3V-47M(VR)	1	394624707
PCB	C286	CERA C	CK45F50V-223Z	1	335622230
PCB	C287	CERA C	CK45F50V-223Z	1	335622230
PCB	C288	VR C	CE04W6.3V-47M(VR)	1	394624707
PCB	C5000	TF C	ECQ-B50V-101K	1	374721015
PCB	C5001	TF C	ECQ-B50V-101K	1	374721015
PCB	C5002	TF C	ECQ-B50V-101K	1	374721015
PCB	C5003	TF C	ECQ-B50V-101K	1	374721015
PCB	C5004	TF C	ECQ-B50V-101K	1	374721015
PCB	C5010	VX C	CE04W16V-22M(VX)	1	393342207
PCB	C5011	VX C	CE04W16V-22M(VX)	1	393342207
PCB	C5012	VX C	CE04W16V-22M(VX)	1	393342207
PCB	C5013	VX C	CE04W16V-22M(VX)	1	393342207
PCB	C5014	VX C	CE04W16V-22M(VX)	1	393342207
PCB	C5020	VR C	CE04W50V-10M(VR)	1	394681007
PCB	C5021	VR C	CE04W50V-10M(VR)	1	394681007
PCB	C5022	VR C	CE04W50V-10M(VR)	1	394681007
PCB	C5023	VR C	CE04W50V-10M(VR)	1	394681007
PCB	C5024	VR C	CE04W50V-10M(VR)	1	394681007
PCB	C5040	VX C	CE04W16V-220M(VX)	1	393342217
PCB	C5041	VX C	CE04W16V-220M(VX)	1	393342217
PCB	C5042	VX C	CE04W16V-100M(VX)	1	393341017
PCB	C5043	VX C	CE04W16V-100M(VX)	1	393341017
PCB	C5044	VX C	CE04W16V-100M(VX)	1	393341017
PCB	C5050	VR C	CE04W50V-47M(VR)	1	394684707
PCB	C5051	VR C	CE04W50V-47M(VR)	1	394684707
PCB	C5052	VR C	CE04W50V-47M(VR)	1	394684707
PCB	C5053	VR C	CE04W50V-47M(VR)	1	394684707
PCB	C5054	VR C	CE04W50V-47M(VR)	1	394684707
PCB	C5080	CERA C	CC45SL50V-040D	1	345020402
PCB	C5080 or	CERA C	CC45SL50V-040C	(1)	345020401
PCB	C5081	CERA C	CC45SL50V-040D	1	345020402

PCB	C5081 or	CERA C	CC45SL50V-040C	(1)	345020401	
PCB	C5082	CERA C	CC45SL50V-040D	1	345020402	
PCB	C5082 or	CERA C	CC45SL50V-040C	(1)	345020401	
PCB	C5083	CERA C	CC45SL50V-040D	1	345020402	
PCB	C5083 or	CERA C	CC45SL50V-040C	(1)	345020401	
PCB	C5084	CERA C	CC45SL50V-040D	1	345020402	
PCB	C5084 or	CERA C	CC45SL50V-040C	(1)	345020401	
PCB	C5090	CERA C	CC45SL50V-101J	1	345021014	
PCB	C5091	CERA C	CC45SL50V-101J	1	345021014	
PCB	C5092	CERA C	CC45SL50V-101J	1	345021014	
PCB	C5093	CERA C	CC45SL50V-101J	1	345021014	
PCB	C5094	CERA C	CC45SL50V-101J	1	345021014	
PCB	C5100	VR C	CE04W63V-10M(VR)	1	394671007	<402>, <8240>
PCB	C5100	VR C	CE04W100V-10M(VR)	1	394691007	<420>
PCB	C5101	VR C	CE04W63V-10M(VR)	1	394671007	<402>, <8240>
PCB	C5101	VR C	CE04W100V-10M(VR)	1	394691007	<420>
PCB	C5102	VR C	CE04W63V-10M(VR)	1	394671007	<402>, <8240>
PCB	C5102	VR C	CE04W100V-10M(VR)	1	394691007	<420>
PCB	C5103	VR C	CE04W63V-10M(VR)	1	394671007	<402>, <8240>
PCB	C5103	VR C	CE04W100V-10M(VR)	1	394691007	<420>
PCB	C5104	VR C	CE04W63V-10M(VR)	1	394671007	<402>, <8240>
PCB	C5104	VR C	CE04W100V-10M(VR)	1	394691007	<420>
PCB	C5110	VR C	CE04W63V-10M(VR)	1	394671007	<402>, <8240>
PCB	C5110	VR C	CE04W100V-10M(VR)	1	394691007	<420>
PCB	C5111	VR C	CE04W63V-10M(VR)	1	394671007	<402>, <8240>
PCB	C5111	VR C	CE04W100V-10M(VR)	1	394691007	<420>
PCB	C5112	VR C	CE04W63V-10M(VR)	1	394671007	<402>, <8240>
PCB	C5112	VR C	CE04W100V-10M(VR)	1	394691007	<420>
PCB	C5113	VR C	CE04W63V-10M(VR)	1	394671007	<402>, <8240>
PCB	C5113	VR C	CE04W100V-10M(VR)	1	394691007	<420>
PCB	C5114	VR C	CE04W63V-10M(VR)	1	394671007	<402>, <8240>
PCB	C5114	VR C	CE04W100V-10M(VR)	1	394691007	<420>
PCB	C6600	TF C	ECQ-B50V-103J	1	374721034	
PCB	C6601	CERA C	CK45F50V-103Z	1	335621030	
PCB	C6604	TF C	ECQ-B50V-103J	1	374721034	
PCB	C6840	TF C	ECQ-B50V-102J	1	2215959	<420>
PCB	C6841	TF C	ECQ-B50V-102J	1	2215961	<420>
PCB	C6842	TF C	ECQ-B50V-102J	1	2215963	<420>
PCB	C6843	TF C	ECQ-B50V-102J	1	2215965	<420>
PCB	C6844	TF C	ECQ-B50V-102J	1	2215967	<420>
PCB	C6850	CERA C	CK45B50V-102K	1	2215969	<420>
PCB	C6851	CERA C	CK45B50V-102K	1	2215971	<420>
PCB	C6852	CERA C	CK45B50V-102K	1	2215973	<420>
PCB	C6853	CERA C	CK45B50V-102K	1	2215975	<420>
PCB	C6854	CERA C	CK45B50V-102K	1	2215977	<420>
PCB	C6931	VR C	CE04W25V-1000M(VR)	1	394651027S	
PCB	C6932	CERA C	CK45F50V-103Z	1	335621030	
PCB	C6933	VR C	CE04W16V-10M(VR)	1	394641007	
PCB	C9513	CERA C	CK45F50V-223Z	1	335622230	
PCB	R201	CARBON R	R16J-75	1	417347504	
PCB	R202	CARBON R	R16J-75	1	417347504	
PCB	R203	CARBON R	R16J-75	1	417347504	
PCB	R204	CARBON R	R16J-100K	1	417341044	
PCB	R205	CARBON R	R16J-75	1	417347504	
PCB	R206	CARBON R	R16J-75	1	417347504	
PCB	R207	CARBON R	R16J-680K	1	417346844	
PCB	R208	CARBON R	R16J-680K	1	417346844	

PCB	R209	CARBON R	R16J-680K	1	417346844
PCB	R210	CARBON R	R16J-220	1	417342214
PCB	R211	CARBON R	R16J-75	1	417347504
PCB	R212	CARBON R	R16J-75	1	417347504
PCB	R213	CARBON R	R16J-75	1	417347504
PCB	R214	CARBON R	R16J-75	1	417347504
PCB	R215	CARBON R	R16J-75	1	417347504
PCB	R216	CARBON R	R16J-75	1	417347504
PCB	R217	CARBON R	R16J-100K	1	417341044
PCB	R218	CARBON R	R16J-100K	1	417341044
PCB	R219	CARBON R	R16J-75	1	417347504
PCB	R220	CARBON R	R16J-75	1	417347504
PCB	R221	CARBON R	R16J-75	1	417347504
PCB	R222	CARBON R	R16J-75	1	417347504
PCB	R223	CARBON R	R16J-100K	1	417341044
PCB	R224	CARBON R	R16J-100K	1	417341044
PCB	R225	CARBON R	R16J-680K	1	417346844
PCB	R226	CARBON R	R16J-680K	1	417346844
PCB	R227	CARBON R	R16J-680K	1	417346844
PCB	R228	CARBON R	R16J-220	1	417342214
PCB	R230	CARBON R	R16J-680K	1	417346844
PCB	R231	CARBON R	R16J-75	1	417347504
PCB	R281	CARBON R	R16J-75	1	417347504
PCB	R282	CARBON R	R16J-470	1	417344714
PCB	R284	CARBON R	R16J-10K	1	417341034
PCB	R5000	CARBON R	R16J-1K	1	417341024
PCB	R5001	CARBON R	R16J-1K	1	417341024
PCB	R5002	CARBON R	R16J-1K	1	417341024
PCB	R5003	CARBON R	R16J-1K	1	417341024
PCB	R5004	CARBON R	R16J-1K	1	417341024
PCB	R5010	CARBON R	R16J-56K	1	417345634
PCB	R5011	CARBON R	R16J-56K	1	417345634
PCB	R5012	CARBON R	R16J-56K	1	417345634
PCB	R5013	CARBON R	R16J-56K	1	417345634
PCB	R5014	CARBON R	R16J-56K	1	417345634
PCB	R5020	CARBON R	R16J-330	1	417343314
PCB	R5021	CARBON R	R16J-330	1	417343314
PCB	R5022	CARBON R	R16J-330	1	417343314
PCB	R5023	CARBON R	R16J-330	1	417343314
PCB	R5024	CARBON R	R16J-330	1	417343314
PCB	R5030	CARBON R	R16J-56K	1	417345634
PCB	R5031	CARBON R	R16J-56K	1	417345634
PCB	R5032	CARBON R	R16J-56K	1	417345634
PCB	R5033	CARBON R	R16J-56K	1	417345634
PCB	R5034	CARBON R	R16J-56K	1	417345634
PCB	R5040	CARBON R	R16J-2.2K	1	417342224
PCB	R5041	CARBON R	R16J-2.2K	1	417342224
PCB	R5042	CARBON R	R16J-2.2K	1	417342224
PCB	R5043	CARBON R	R16J-2.2K	1	417342224
PCB	R5044	CARBON R	R16J-2.2K	1	417342224
PCB	R5050	CARBON R	R16J-4.7K	1	417344724
PCB	R5051	CARBON R	R16J-4.7K	1	417344724
PCB	R5052	CARBON R	R16J-4.7K	1	417344724
PCB	R5053	CARBON R	R16J-4.7K	1	417344724
PCB	R5054	CARBON R	R16J-4.7K	1	417344724
PCB	R5060	CARBON R	R16J-1.2K	1	417341224
PCB	R5061	CARBON R	R16J-1.2K	1	417341224

PCB	R5062	CARBON R	R16J-1.2K	1	417341224	
PCB	R5063	CARBON R	R16J-1.2K	1	417341224	
PCB	R5064	CARBON R	R16J-1.2K	1	417341224	
PCB	R5070	CARBON R	R16J-560	1	417345614	
PCB	R5071	CARBON R	R16J-560	1	417345614	
PCB	R5072	CARBON R	R16J-560	1	417345614	
PCB	R5073	CARBON R	R16J-560	1	417345614	
PCB	R5074	CARBON R	R16J-560	1	417345614	
PCB	R5080	CARBON R	R16J-3.3K	1	417343324	
PCB	R5081	CARBON R	R16J-3.3K	1	417343324	
PCB	R5082	CARBON R	R16J-3.3K	1	417343324	
PCB	R5083	CARBON R	R16J-3.3K	1	417343324	
PCB	R5084	CARBON R	R16J-3.3K	1	417343324	
PCB	R5090	CARBON R	R16J-82K	1	417348234	<402>, <8240>
PCB	R5090	CARBON R	R16J-100K	1	417341044	<420>
PCB	R5091	CARBON R	R16J-82K	1	417348234	<402>, <8240>
PCB	R5091	CARBON R	R16J-100K	1	417341044	<420>
PCB	R5092	CARBON R	R16J-82K	1	417348234	<402>, <8240>
PCB	R5092	CARBON R	R16J-100K	1	417341044	<420>
PCB	R5093	CARBON R	R16J-82K	1	417348234	<402>, <8240>
PCB	R5093	CARBON R	R16J-100K	1	417341044	<420>
PCB	R5094	CARBON R	R16J-82K	1	417348234	<402>, <8240>
PCB	R5094	CARBON R	R16J-100K	1	417341044	<420>
PCB	R5100	CARBON R	R16J-100K	1	417341044	
PCB	R5101	CARBON R	R16J-100K	1	417341044	
PCB	R5102	CARBON R	R16J-100K	1	417341044	
PCB	R5103	CARBON R	R16J-100K	1	417341044	
PCB	R5104	CARBON R	R16J-100K	1	417341044	
PCB	R5110	CARBON R	R16J-1K	1	417341024	
PCB	R5111	CARBON R	R16J-1K	1	417341024	
PCB	R5112	CARBON R	R16J-1K	1	417341024	
PCB	R5113	CARBON R	R16J-1K	1	417341024	
PCB	R5114	CARBON R	R16J-1K	1	417341024	
PCB	R5130	CARBON R	R16J-18K	1	417341834	
PCB	R5131	CARBON R	R16J-18K	1	417341834	
PCB	R5132	CARBON R	R16J-18K	1	417341834	
PCB	R5133	CARBON R	R16J-18K	1	417341834	
PCB	R5134	CARBON R	R16J-18K	1	417341834	
PCB	R5160	NF CARBON R	R25J-120	1	415471214	
PCB	R5161	NF CARBON R	R25J-120	1	415471214	
PCB	R5162	NF CARBON R	R25J-120	1	415471214	
PCB	R5163	NF CARBON R	R25J-120	1	415471214	
PCB	R5164	NF CARBON R	R25J-120	1	415471214	
PCB	R5170	NF CARBON R	R25J-120	1	415471214	
PCB	R5171	NF CARBON R	R25J-120	1	415471214	
PCB	R5172	NF CARBON R	R25J-120	1	415471214	
PCB	R5173	NF CARBON R	R25J-120	1	415471214	
PCB	R5174	NF CARBON R	R25J-120	1	415471214	
PCB	R5180	NF CARBON R	R25J-10	1	415471004	
PCB	R5181	NF CARBON R	R25J-10	1	415471004	
PCB	R5182	NF CARBON R	R25J-10	1	415471004	
PCB	R5183	NF CARBON R	R25J-10	1	415471004	
PCB	R5184	NF CARBON R	R25J-10	1	415471004	
PCB	R5190	NF CARBON R	R25J-10	1	415471004	
PCB	R5191	NF CARBON R	R25J-10	1	415471004	
PCB	R5192	NF CARBON R	R25J-10	1	415471004	
PCB	R5193	NF CARBON R	R25J-10	1	415471004	

PCB	R5194	NF CARBON R	R25J-10	1	415471004	
PCB	R6800	CARBON R	R16J-22	1	417342204	
PCB	R6801	CARBON R	R16J-22	1	417342204	
PCB	R6802	CARBON R	R16J-22	1	417342204	
PCB	R6803	CARBON R	R16J-22	1	417342204	
PCB	R6804	CARBON R	R16J-22	1	417342204	
PCB	R6810	CARBON R	R16J-22	1	417342204	
PCB	R6811	CARBON R	R16J-22	1	417342204	
PCB	R6812	CARBON R	R16J-22	1	417342204	
PCB	R6812	CARBON R	R16J-22	1	417342204	
PCB	R6813	CARBON R	R16J-22	1	417342204	
PCB	R6814	CARBON R	R16J-22	1	417342204	
PCB	R6935	METAL O R	RS2WBJ-120	1	441721214F	
PCB	R9501	METAL R	RNU1/2WCJ-1	1	453530104	
PCB	R9502	METAL R	RNU1/2WCJ-0.47	1	453534794	
PCB	R9503	METAL R	RNU1/2WCJ-0.22	1	453532294	
PCB	R9521	METAL R	RNU1/2WCJ-2.7	1	453530274	<402>, <8240>
PCB	R9521	METAL R	RNU1/2WCJ-3.9	1	453530394	<420>
PCB	RL6600	RELAY	NRL-2P5A-DC24-129	1	25065563	
PCB	RL6600 or	RELAY	NRL-2P5A-DC24-142	(1)	25065586	
PCB	RL6600 or	RELAY	NRL-2P5A-DC24-098	(1)	25065517	
PCB	RL6601	RELAY	NRL-2P5A-DC24-129	1	25065563	
PCB	RL6601 or	RELAY	NRL-2P5A-DC24-142	(1)	25065586	
PCB	RL6601 or	RELAY	NRL-2P5A-DC24-098	(1)	25065517	
PCB	RL6603	RELAY	NRL-2P5A-DC24-129	1	25065563	
PCB	RL6603 or	RELAY	NRL-2P5A-DC24-142	(1)	25065586	
PCB	RL6603 or	RELAY	NRL-2P5A-DC24-098	(1)	25065517	
PCB	RL6604	RELAY	NRL-2P5A-DC24-129	1	25065563	
PCB	RL6604 or	RELAY	NRL-2P5A-DC24-142	(1)	25065586	
PCB	RL6604 or	RELAY	NRL-2P5A-DC24-098	(1)	25065517	
PCB	P201	JACK	NPJ-3PDYE158	1	25045299	
PCB	P202	JACK	NPJ-3PDYE158	1	25045299	
PCB	P203	SOCKET	NSCT-8P1535	1	25051748	
PCB	P204	SOCKET	NSCT-12P1355	1	25051568	
PCB	P206B	SOCKET	NSCT-14P1029	1	25051239	
PCB	P210A	PLUG	NPLG-6P658	1	25055702	
PCB	P210B	SOCKET	NSCT-6P1021	1	25051231	
PCB	P211A	PLUG	NPLG-6P658	1	25055702	
PCB	P211B	SOCKET	NSCT-6P1021	1	25051231	
PCB	P281	PIN JACK	NPJ-1PDBL291	1	25045473	
PCB	P282	ST JACK	LGY2502-0200C	1	25045696	
PCB	P306A	PLUG	NPLG-10P357	1	25055374	
PCB	P410A	SOCKET	NSCT-10P1025	1	25051235	
PCB	P411A	SOCKET	NSCT-10P1025	1	25051235	
PCB	P5001	BUS BAR	BBL40	1	27141773	
PCB	P6000A	SOCKET	NSCT-5P2185	1	25052288	
PCB	P6001A	SOCKET	NSCT-5P2185	1	25052288	
PCB	P6002A	SOCKET	NSCT-5P2185	1	25052288	
PCB	P6003A	SOCKET	NSCT-5P2185	1	25052288	
PCB	P6004A	SOCKET	NSCT-5P2185	1	25052288	
PCB	P6011A	SOCKET	NSCT-9P2189	1	25052292	
PCB	P6073	TRM	NTM-1P233(M1969)	1	25060302	
PCB	P6800	TRM	NTM-8PDML254	1	25060323	
PCB	P6801	TRM	NTM-6PDML266	1	25060335	
PCB	P6931A	SOCKET	NSCT-15P1030	1	25051240	
PCB	P7503B	SOCKET	NSCT-8P2138	1	25052241	
PCB	P7503Bor	SOCKET	NSCT-8P1101	(1)	25051312	

PCB	P7503Bor	SOCKET	NSCT-8P1841	(1)	25052054	
PCB	P7503Bor	SOCKET	NSCT-8P1639	(1)	25051852	
PCB	JL6803B	SOCKET	NSCT-5P97	1	25050269	
PCB	JL6804B	SOCKET	NSCT-5P97	1	25050269	
PCB	JL6805B	SOCKET	NSCT-4P96	1	25050268	
PCB	JL9501A	WIRE HOL	NSCT-7P898	1	25051111	
PCB	JL9501B	WIRE HOL	NSCT-7P898	1	25051111	
PCB						
PCB	U17	POWER AMPLIFIER PC BOARD(NAAF-7875-2A/2B/2C/2D/2E)				
PCB	U18	TERMINAL PC BOARD(NAPS-78762A/2B/2C/2D/2E)				
PCB	U19	POWER SUPPLY PC BOARD(NAPS-7877-2A/2B/2C/2D/2E)				
PCB	U20	TERMINAL PC BOARD(NAPS-7878-2A/2B/2C/2D/2E)				
PCB	U21	HOLDER PC BOARD (NA79-7879-2A/2B/2C/2D/2E)				
PCB	U22	THERMAL SENSOR PC BOARD(NAETC-7880-2A/2B/2C/2D/2E)				
PCB	U23	HOLDER PC BOARD(NAETC-7881-2A/2B/2C/2D/2E)				
PCB	U24	POWER SWITCH PC BOARD(NASW-7882-2A/2B/2C/2D/2E)				
PCB	U25	TERMINAL PC BOARD(NAETC-7884-2A/2B/2C/2D/2E)				
PCB	U26	THERMAL SENSOR PC BOARD(NAETC-8256-2A/2B/2C/2D/2E)				
PCB		<Notes> Parts are indicated collectively, without dividing for above-mentioned each substrate.				

PCB	REF NO.	NAME	DESCRIPTION	QTY	PART NO.	REMARKS
PCB	Q921	TR	KTC3199-GR	1	2215864	
PCB	Q921 or	TR	2SC1740S-R	(1)	2213284	
PCB	Q921 or	TR	2SC1740S-S	(1)	2213285	
PCB	Q921 or	TR	2SC2458-GR	(1)	2212115	
PCB	Q6010	TR	2SC1740S-R	1	2213284	
PCB	Q6010 or	TR	2SC1740S-S	(1)	2213285	
PCB	Q6011	TR	2SC1740S-R	1	2213284	
PCB	Q6011 or	TR	2SC1740S-S	(1)	2213285	
PCB	Q6012	TR	2SC1740S-R	1	2213284	
PCB	Q6012 or	TR	2SC1740S-S	(1)	2213285	
PCB	Q6013	TR	2SC1740S-R	1	2213284	
PCB	Q6013 or	TR	2SC1740S-S	(1)	2213285	
PCB	Q6014	TR	2SC1740S-R	1	2213284	
PCB	Q6014 or	TR	2SC1740S-S	(1)	2213285	
PCB	Q6020	TR	2SC1740S-R	1	2213284	
PCB	Q6020 or	TR	2SC1740S-S	(1)	2213285	
PCB	Q6021	TR	2SC1740S-R	1	2213284	
PCB	Q6021 or	TR	2SC1740S-S	(1)	2213285	
PCB	Q6022	TR	2SC1740S-R	1	2213284	
PCB	Q6022 or	TR	2SC1740S-S	(1)	2213285	
PCB	Q6023	TR	2SC1740S-R	1	2213284	
PCB	Q6023 or	TR	2SC1740S-S	(1)	2213285	
PCB	Q6024	TR	2SC1740S-R	1	2213284	
PCB	Q6024 or	TR	2SC1740S-S	(1)	2213285	
PCB	Q6030	TR	KTD2061-Y	1	2203434	
PCB	Q6030 or	TR	2SC5171	(1)	2203010	
PCB	Q6031	TR	KTD2061-Y	1	2203434	
PCB	Q6031 or	TR	2SC5171	(1)	2203010	
PCB	Q6032	TR	2SC5511-E	1	2203845	<402>, <8240>
PCB	Q6032 or	TR	KTD2061-Y	(1)	2203434	
PCB	Q6032 or	TR	2SC5171	(1)	2203010	
PCB	Q6032	TR	KTD2061-Y	1	2203434	<420>
PCB	Q6032 or	TR	2SC5171	(1)	2203010	
PCB	Q6033	TR	2SC5511-E	1	2203845	<402>, <8240>
PCB	Q6033 or	TR	KTD2061-Y	(1)	2203434	
PCB	Q6033 or	TR	2SC5171	(1)	2203010	

PCB	Q6033 or	TR	KTD2061-Y	1	2203434	<420>
PCB	Q6033 or	TR	2SC5171	(1)	2203010	
PCB	Q6034	TR	2SC5511-E	1	2203845	<402>, <8240>
PCB	Q6034 or	TR	KTD2061-Y	(1)	2203434	
PCB	Q6034 or	TR	2SC5171	(1)	2203010	
PCB	Q6034 or	TR	KTD2061-Y	1	2203434	<420>
PCB	Q6034 or	TR	2SC5171	(1)	2203010	
PCB	Q6040	TR	KTB1369-Y	1	2203424	
PCB	Q6040 or	TR	2SA1930	(1)	2203000	
PCB	Q6041	TR	KTB1369-Y	1	2203424	
PCB	Q6041 or	TR	2SA1930	(1)	2203000	
PCB	Q6042	TR	KTB1369-Y	1	2203424	<420>
PCB	Q6042 or	TR	2SA1930	(1)	2203000	
PCB	Q6042	TR	2SA2005-E	1	2203835	<402>, <8240>
PCB	Q6042 or	TR	KTB1369-Y	(1)	2203424	
PCB	Q6042 or	TR	2SA1930	(1)	2203000	
PCB	Q6043	TR	KTB1369-Y	1	2203424	<420>
PCB	Q6043 or	TR	2SA1930	(1)	2203000	
PCB	Q6043	TR	2SA2005-E	1	2203835	<402>, <8240>
PCB	Q6043 or	TR	KTB1369-Y	(1)	2203424	
PCB	Q6043 or	TR	2SA1930	(1)	2203000	
PCB	Q6044	TR	KTB1369-Y	1	2203424	<420>
PCB	Q6044 or	TR	2SA1930	(1)	2203000	<420>
PCB	Q6044	TR	2SA2005-E	1	2203835	<402>, <8240>
PCB	Q6044 or	TR	KTB1369-Y	(1)	2203424	
PCB	Q6044 or	TR	2SA1930	(1)	2203000	
PCB	Q6070	TR	2SC2631-R	1	2214984	<420>
PCB	Q6070 or	TR	2SC2631-S	(1)	2214985	
PCB	Q6070	TR	KTC3200-BL	1	2215896	<402>, <8240>
PCB	Q6070 or	TR	KTC3200-GR	(1)	2215895	
PCB	Q6070 or	TR	2SC1775A-E	(1)	2210755	
PCB	Q6070 or	TR	2SC1775A-F	(1)	2210756	
PCB	Q6070 or	TR	2SC1845-E	(1)	2211733	
PCB	Q6070 or	TR	2SC1845-F	(1)	2211732	
PCB	Q6071	TR	2SC2631-R	1	2214984	<420>
PCB	Q6071 or	TR	2SC2631-S	(1)	2214985	
PCB	Q6071	TR	KTC3200-BL	1	2215896	<402>, <8240>
PCB	Q6071 or	TR	KTC3200-GR	(1)	2215895	
PCB	Q6071 or	TR	2SC1775A-E	(1)	2210755	
PCB	Q6071 or	TR	2SC1775A-F	(1)	2210756	
PCB	Q6071 or	TR	2SC1845-E	(1)	2211733	
PCB	Q6071 or	TR	2SC1845-F	(1)	2211732	
PCB	Q6072	TR	2SC2631-R	1	2214984	<420>
PCB	Q6072 or	TR	2SC2631-S	(1)	2214985	
PCB	Q6072	TR	KTC3200-BL	1	2215896	<402>, <8240>
PCB	Q6072 or	TR	KTC3200-GR	(1)	2215895	
PCB	Q6072 or	TR	2SC1775A-E	(1)	2210755	
PCB	Q6072 or	TR	2SC1775A-F	(1)	2210756	
PCB	Q6072 or	TR	2SC1845-E	(1)	2211733	
PCB	Q6072 or	TR	2SC1845-F	(1)	2211732	
PCB	Q6073	TR	2SC2631-R	1	2214984	<420>
PCB	Q6073 or	TR	2SC2631-S	(1)	2214985	
PCB	Q6073	TR	KTC3200-BL	1	2215896	<402>, <8240>
PCB	Q6073 or	TR	KTC3200-GR	(1)	2215895	
PCB	Q6073 or	TR	2SC1775A-E	(1)	2210755	
PCB	Q6073 or	TR	2SC1775A-F	(1)	2210756	
PCB	Q6073 or	TR	2SC1845-E	(1)	2211733	

PCB	Q6073 or	TR	2SC1845-F	(1)	2211732	
PCB	Q6074	TR	2SC2631-R	1	2214984	<420>
PCB	Q6074 or	TR	2SC2631-S	(1)	2214985	
PCB	Q6074	TR	KTC3200-BL	1	2215896	<402>, <8240>
PCB	Q6074 or	TR	KTC3200-GR	(1)	2215895	
PCB	Q6074 or	TR	2SC1775A-E	(1)	2210755	
PCB	Q6074 or	TR	2SC1775A-F	(1)	2210756	
PCB	Q6074 or	TR	2SC1845-E	(1)	2211733	
PCB	Q6074 or	TR	2SC1845-F	(1)	2211732	
PCB	Q6303	TR	KTA1267-GR	1	2215995	
PCB	Q6303 or	TR	2SA933S-R	(1)	2213354	
PCB	Q6303 or	TR	2SA933S-S	(1)	2213355	
PCB	Q6601	TR	KTC3199-GR	1	2215864	
PCB	Q6601 or	TR	2SC1740S-R	(1)	2213284	
PCB	Q6601 or	TR	2SC1740S-S	(1)	2213285	
PCB	Q6601 or	TR	2SC2458-GR	(1)	2212115	
PCB	Q6602	TR	KTC3199-GR	1	2215864	
PCB	Q6602 or	TR	2SC1740S-R	(1)	2213284	
PCB	Q6602 or	TR	2SC1740S-S	(1)	2213285	
PCB	Q6602 or	TR	2SC2458-GR	(1)	2212115	
PCB	Q6603	TR	KTC3199-GR	1	2215864	
PCB	Q6603 or	TR	2SC1740S-R	(1)	2213284	
PCB	Q6603 or	TR	2SC1740S-S	(1)	2213285	
PCB	Q6603 or	TR	2SC2458-GR	(1)	2212115	
PCB	Q6701	TR	KTC3200-BL	1	2215896	
PCB	Q6701 or	TR	KTC3200-GR	(1)	2215895	
PCB	Q6701 or	TR	2SC1775A-E	(1)	2210755	
PCB	Q6701 or	TR	2SC1775A-F	(1)	2210756	
PCB	Q6701 or	TR	2SC1845-E	(1)	2211733	
PCB	Q6701 or	TR	2SC1845-F	(1)	2211732	
PCB	Q6702	TR	KTC3200-BL	1	2215896	
PCB	Q6702 or	TR	KTC3200-GR	(1)	2215895	
PCB	Q6702 or	TR	2SC1775A-E	(1)	2210755	
PCB	Q6702 or	TR	2SC1775A-F	(1)	2210756	
PCB	Q6702 or	TR	2SC1845-E	(1)	2211733	
PCB	Q6702 or	TR	2SC1845-F	(1)	2211732	
PCB	Q6703	TR	KTA1268-GR	1	2215885	
PCB	Q6703 or	TR	KTA1268-BL	(1)	2215886	
PCB	Q6703 or	TR	2SA992-E	(1)	2211793	
PCB	Q6703 or	TR	2SA992-F	(1)	2211792	
PCB	Q6901	TR	KTC3199-GR	1	2215864	
PCB	Q6901 or	TR	2SC1740S-R	(1)	2213284	
PCB	Q6901 or	TR	2SC1740S-S	(1)	2213285	
PCB	Q6901 or	TR	2SC2458-GR	(1)	2212115	
PCB	D921	DIODE	RL1N4003	1	22380260	
PCB	D921 or	DIODE	GP104003E	(1)	22380035	
PCB	D922	DIODE	RL1N4003	1	22380260	
PCB	D922 or	DIODE	GP104003E	(1)	22380035	
PCB	D923	DIODE	RL1N4003	1	22380260	
PCB	D923 or	DIODE	GP104003E	(1)	22380035	
PCB	D924	DIODE	RL1N4003	1	22380260	
PCB	D924 or	DIODE	GP104003E	(1)	22380035	
PCB	D925	DIODE	1SS133	1	223163	
PCB	D925 or	DIODE	1SS270A	(1)	223205	
PCB	D925 or	DIODE	WG713A	(1)	223222	
PCB	D6000	DIODE	1SS133	1	223163	
PCB	D6000 or	DIODE	1SS270A	(1)	223205	

PCB	D6000 or	DIODE	WG713A	(1)	223222	
PCB	D6001	DIODE	1SS133	1	223163	
PCB	D6001 or	DIODE	1SS270A	(1)	223205	
PCB	D6001 or	DIODE	WG713A	(1)	223222	
PCB	D6002	DIODE	1SS133	1	223163	
PCB	D6002 or	DIODE	1SS270A	(1)	223205	
PCB	D6002 or	DIODE	WG713A	(1)	223222	
PCB	D6003	DIODE	1SS133	1	223163	
PCB	D6003 or	DIODE	1SS270A	(1)	223205	
PCB	D6003 or	DIODE	WG713A	(1)	223222	
PCB	D6004	DIODE	1SS133	1	223163	
PCB	D6004 or	DIODE	1SS270A	(1)	223205	
PCB	D6004 or	DIODE	WG713A	(1)	223222	
PCB	D6010	DIODE	1SS133	1	223163	
PCB	D6010 or	DIODE	1SS270A	(1)	223205	
PCB	D6010 or	DIODE	WG713A	(1)	223222	
PCB	D6011	DIODE	1SS133	1	223163	
PCB	D6011 or	DIODE	1SS270A	(1)	223205	
PCB	D6011 or	DIODE	WG713A	(1)	223222	
PCB	D6012	DIODE	1SS133	1	223163	
PCB	D6012 or	DIODE	1SS270A	(1)	223205	
PCB	D6012 or	DIODE	WG713A	(1)	223222	
PCB	D6013	DIODE	1SS133	1	223163	
PCB	D6013 or	DIODE	1SS270A	(1)	223205	
PCB	D6013 or	DIODE	WG713A	(1)	223222	
PCB	D6014	DIODE	1SS133	1	223163	
PCB	D6014 or	DIODE	1SS270A	(1)	223205	
PCB	D6014 or	DIODE	WG713A	(1)	223222	
PCB	D6306	DIODE	1SS133	1	223163	
PCB	D6306 or	DIODE	1SS270A	(1)	223205	
PCB	D6306 or	DIODE	WG713A	(1)	223222	
PCB	D6307	DIODE	1SS133	1	223163	
PCB	D6307 or	DIODE	1SS270A	(1)	223205	
PCB	D6307 or	DIODE	WG713A	(1)	223222	
PCB	D6701	DIODE	1SS133	1	223163	
PCB	D6701 or	DIODE	1SS270A	(1)	223205	
PCB	D6701 or	DIODE	WG713A	(1)	223222	
PCB	D6702	DIODE	1SS133	1	223163	
PCB	D6702 or	DIODE	1SS270A	(1)	223205	
PCB	D6702 or	DIODE	WG713A	(1)	223222	
PCB	D6703	ZENER D	MTZJ5.1B	1	224470512	
PCB	D6704	ZENER D	MTZJ5.1B	1	224470512	
PCB	D6903	DIODE	D5SBA20	1	22380130F	
PCB	D6903 or	DIODE	RS603M-B42	(1)	22380274F	
PCB	D6903 or	DIODE	RBV602	(1)	22380038F	
PCB	D6904	DIODE	D5SBA20	1	22380130F	
PCB	D6904 or	DIODE	RS603M-B42	(1)	22380274F	
PCB	D6904 or	DIODE	RBV602	(1)	22380038F	
PCB	D6906	DIODE	1SS133	1	223163	
PCB	D6906 or	DIODE	1SS270A	(1)	223205	
PCB	D6906 or	DIODE	WG713A	(1)	223222	
PCB	T902	P TRANS	NPT-1358DG	1	2301383	! <402>, <8240>
PCB	T902	P TRANS	NPT-1358DG	1	2301383	! <WT>
PCB	T902	P TRANS	NPT-1492D	1	2301739	! <DD>, <DC>
PCB	T902	P TRANS	NPT-1358P	1	2301382	! <PA>, <PT>
PCB	C901	IS C	RE275V-103M	1	3500196S	!
PCB	C6040	VR C	CE04W50V-47M(VR)	1	394684707	

PCB	C6041	VR C	CE04W50V-47M(VR)	1	394684707	
PCB	C6042	VR C	CE04W50V-47M(VR)	1	394684707	
PCB	C6043	VR C	CE04W50V-47M(VR)	1	394684707	
PCB	C6044	VR C	CE04W50V-47M(VR)	1	394684707	
PCB	C6230	TF C	ECQ-V50V-473J	1	374724734	
PCB	C6231	TF C	ECQ-V50V-473J	1	374724734	
PCB	C6232	TF C	ECQ-V50V-473J	1	374724734	
PCB	C6233	TF C	ECQ-V50V-473J	1	374724734	
PCB	C6234	TF C	ECQ-V50V-473J	1	374724734	
PCB	C6701	VR C	CE04W6.3V-220M(VR)	1	394622217	<420>
PCB	C6701 or	ELECT C	CE04W6.3V220M(SC)	(1)	394722217	
PCB	C6701	VR C	CE04W6.3V-100M(VR)	1	394621017	<402>, <8240>
PCB	C6701 or	ELECT C	CE04W6.3V100M(SC)	(1)	394721017	
PCB	C6703	CERA C	CK45F50V-223Z	1	335622230	
PCB	C6704	VR C	CE04W50V-1M(VR)	1	394680107	
PCB	C6706	VR C	CE04W6.3V-100M(VR)	1	394621017	
PCB	C6706 or	ELECT C	CE04W6.3V100M(SC)	(1)	394721017	
PCB	C6708	TF C	ECQ-B50V-223J	1	374722234	
PCB	C6901	ELECT C	CE69W69V-10000M	1	3504404	<420>
PCB	C6901 or	ELECT C	CE69W69V10000M	(1)	3504392	
PCB	C6901	ELECT C	CE69W56V-8200M	1	3504402	<402>, <8240>
PCB	C6901 or	ELECT C	CE69W56V8200M	(1)	3504396	
PCB	C6902	ELECT C	CE69W69V-10000M	1	3504404	<420>
PCB	C6902 or	ELECT C	CE69W69V10000M	(1)	3504392	
PCB	C6902	ELECT C	CE69W56V-8200M	1	3504402	<402>, <8240>
PCB	C6902 or	ELECT C	CE69W56V8200M	(1)	3504396	
PCB	C6903	MY C	MY92-50V-104J	1	371121044	
PCB	C6904	TF C	ECQ-V50V-334J	1	374723344	<402>, <8240>
PCB	C6905	TF C	ECQ-V50V-334J	1	374723344	<402>, <8240>
PCB	C6904	TF C	ECQ-V100-334J	1	374733344	
PCB	C6905	TF C	ECQ-V100-334J	1	374733344	
PCB	C6906	MY C	MY92-50V-104J	1	371121044	
PCB	C6907	MY C	MY92-50V-104J	1	371121044	
PCB	C921	CERA C	CK45F50V-223Z	1	335622230	
PCB	C922	VR C	CE04W35V-220M(VR)	1	394662217	
PCB	C923	CERA C	CK45F50V-223Z	1	335622230	
PCB	R923	CARBON R	R16J-1K	1	417341024	
PCB	R924	METAL O R	RS1/2WBJ-82	1	443528204	
PCB	R926	CARBON R	R16J-4.7K	1	417344724	
PCB	R6000	CARBON R	R16J-5.6K	1	417345624	
PCB	R6001	CARBON R	R16J-5.6K	1	417345624	
PCB	R6002	CARBON R	R16J-5.6K	1	417345624	
PCB	R6003	CARBON R	R16J-5.6K	1	417345624	
PCB	R6004	CARBON R	R16J-5.6K	1	417345624	
PCB	R6010	CARBON R	R16J-3.9K	1	417343924	
PCB	R6011	CARBON R	R16J-3.9K	1	417343924	
PCB	R6012	CARBON R	R16J-3.9K	1	417343924	
PCB	R6013	CARBON R	R16J-3.9K	1	417343924	
PCB	R6014	CARBON R	R16J-3.9K	1	417343924	
PCB	R6030	CARBON R	R16J-390	1	417343914	<402>, <8240>
PCB	R6030	CARBON R	R16J-390	1	417343914	<420>
PCB	R6031	CARBON R	R16J-390	1	417343914	<402>, <8240>
PCB	R6031	CARBON R	R16J-390	1	417343914	<420>
PCB	R6032	CARBON R	R16J-1K	1	417341024	<402>, <8240>
PCB	R6032	CARBON R	R16J-390	1	417343914	<420>
PCB	R6033	CARBON R	R16J-1K	1	417341024	<402>, <8240>
PCB	R6033	CARBON R	R16J-390	1	417343914	<420>

PCB	R6034	CARBON R	R16J-1K	1	417341024	<402>, <8240>
PCB	R6034	CARBON R	R16J-390	1	417343914	<420>
PCB	R6040	TRIM R	N06HR1KBC	1	5210258	
PCB	R6041	TRIM R	N06HR1KBC	1	5210258	
PCB	R6042	TRIM R	N06HR1KBC	1	5210258	
PCB	R6043	TRIM R	N06HR1KBC	1	5210258	
PCB	R6044	TRIM R	N06HR1KBC	1	5210258	
PCB	R6050	CARBON R	R16J-3.9K	1	417343924	
PCB	R6051	CARBON R	R16J-3.9K	1	417343924	
PCB	R6052	CARBON R	R16J-3.9K	1	417343924	
PCB	R6053	CARBON R	R16J-3.9K	1	417343924	
PCB	R6054	CARBON R	R16J-3.9K	1	417343924	
PCB	R6070	NF CARBON R	R25J-100	1	415471014	<402>, <8240>
PCB	R6070	NF CARBON R	R25J-110	1	415471114	<420>
PCB	R6071	NF CARBON R	R25J-100	1	415471014	<402>, <8240>
PCB	R6071	NF CARBON R	R25J-110	1	415471114	<420>
PCB	R6072	NF CARBON R	R25J-100	1	415471014	<402>, <8240>
PCB	R6072	NF CARBON R	R25J-110	1	415471114	<420>
PCB	R6073	NF CARBON R	R25J-100	1	415471014	<402>, <8240>
PCB	R6073	NF CARBON R	R25J-110	1	415471114	<420>
PCB	R6074	NF CARBON R	R25J-100	1	415471014	<402>, <8240>
PCB	R6074	NF CARBON R	R25J-110	1	415471114	<420>
PCB	R6080	NF CARBON R	R25J-2.2	1	415470224	
PCB	R6081	NF CARBON R	R25J-2.2	1	415470224	
PCB	R6082	NF CARBON R	R25J-2.2	1	415470224	
PCB	R6083	NF CARBON R	R25J-2.2	1	415470224	
PCB	R6084	NF CARBON R	R25J-2.2	1	415470224	
PCB	R6090	NF CARBON R	R25J-2.2	1	415470224	
PCB	R6091	NF CARBON R	R25J-2.2	1	415470224	
PCB	R6092	NF CARBON R	R25J-2.2	1	415470224	
PCB	R6093	NF CARBON R	R25J-2.2	1	415470224	
PCB	R6094	NF CARBON R	R25J-2.2	1	415470224	
PCB	R6100	CEMENT R	RSS2WK-0.22	1	4800071	
PCB	R6100 or	OTHER R	RGC22-0.22 OHMK	(1)	4000131	
PCB	R6100 or	METAL PR	MPC708-2WK-0.22	(1)	4500027	
PCB	R6101	CEMENT R	RSS2WK-0.22	1	4800071	
PCB	R6101 or	OTHER R	RGC22-0.22 OHMK	(1)	4000131	
PCB	R6101 or	METAL PR	MPC708-2WK-0.22	(1)	4500027	
PCB	R6102	CEMENT R	RSS2WK-0.22	1	4800071	
PCB	R6102 or	OTHER R	RGC22-0.22 OHMK	(1)	4000131	
PCB	R6102 or	METAL PR	MPC708-2WK-0.22	(1)	4500027	
PCB	R6103	CEMENT R	RSS2WK-0.22	1	4800071	
PCB	R6103 or	OTHER R	RGC22-0.22 OHMK	(1)	4000131	
PCB	R6103 or	METAL PR	MPC708-2WK-0.22	(1)	4500027	
PCB	R6104	CEMENT R	RSS2WK-0.22	1	4800071	
PCB	R6104 or	OTHER R	RGC22-0.22 OHMK	(1)	4000131	
PCB	R6104 or	METAL PR	MPC708-2WK-0.22	(1)	4500027	
PCB	R6140	CARBON R	R16J-22K	1	417342234	
PCB	R6141	CARBON R	R16J-22K	1	417342234	
PCB	R6142	CARBON R	R16J-22K	1	417342234	
PCB	R6143	CARBON R	R16J-22K	1	417342234	
PCB	R6144	CARBON R	R16J-22K	1	417342234	
PCB	R6150	CARBON R	R16J-12K	1	417341234	
PCB	R6151	CARBON R	R16J-12K	1	417341234	
PCB	R6152	CARBON R	R16J-12K	1	417341234	
PCB	R6153	CARBON R	R16J-12K	1	417341234	
PCB	R6154	CARBON R	R16J-12K	1	417341234	

PCB	R6160	CARBON R	R16J-33K	1	417343334	
PCB	R6161	CARBON R	R16J-33K	1	417343334	
PCB	R6162	CARBON R	R16J-33K	1	417343334	
PCB	R6163	CARBON R	R16J-33K	1	417343334	
PCB	R6164	CARBON R	R16J-33K	1	417343334	
PCB	R6170	CARBON R	R16J-47K	1	417344734	
PCB	R6171	CARBON R	R16J-47K	1	417344734	
PCB	R6172	CARBON R	R16J-47K	1	417344734	
PCB	R6173	CARBON R	R16J-47K	1	417344734	
PCB	R6174	CARBON R	R16J-47K	1	417344734	
PCB	R6180	CARBON R	R16J-47K	1	417344734	
PCB	R6181	CARBON R	R16J-47K	1	417344734	
PCB	R6182	CARBON R	R16J-47K	1	417344734	
PCB	R6183	CARBON R	R16J-47K	1	417344734	
PCB	R6184	CARBON R	R16J-47K	1	417344734	
PCB	R6190	CARBON R	R16J-330K	1	417343344	<420>
PCB	R6191	CARBON R	R16J-330K	1	417343344	<420>
PCB	R6192	CARBON R	R16J-330K	1	417343344	<420>
PCB	R6193	CARBON R	R16J-330K	1	417343344	<420>
PCB	R6194	CARBON R	R16J-330K	1	417343344	<420>
PCB	R6190	CARBON R	R16J-220K	1	417342244	<402>, <8240>
PCB	R6191	CARBON R	R16J-220K	1	417342244	<402>, <8240>
PCB	R6192	CARBON R	R16J-220K	1	417342244	<402>, <8240>
PCB	R6193	CARBON R	R16J-220K	1	417342244	<402>, <8240>
PCB	R6194	CARBON R	R16J-220K	1	417342244	<402>, <8240>
PCB	R6230	METAL R	RNU1WCJ-8.2	1	453630824	
PCB	R6231	METAL R	RNU1WCJ-8.2	1	453630824	
PCB	R6232	METAL R	RNU1WCJ-8.2	1	453630824	
PCB	R6233	METAL R	RNU1WCJ-8.2	1	453630824	
PCB	R6234	METAL R	RNU1WCJ-8.2	1	453630824	
PCB	R6306	CARBON R	R16J-10K	1	417341034	
PCB	R6308	CARBON R	R16J-4.7K	1	417344724	
PCB	R6380	RESISTOR	PTFL04BF471Q2N34B0 (80)	1	4000217	<DD>, <DC>
PCB	R6380	THERMISTOR	PTH9M04BF222TS2F333	1	4000153	<402>, <8240>
PCB	R6380	THERMISTOR	PTH9M04BF222TS2F333	1	4000153	<PA>, <PT>, <WT>
PCB	R6601	CARBON R	R16J-1K	1	417341024	
PCB	R6602	CARBON R	R16J-1K	1	417341024	
PCB	R6603	CARBON R	R16J-1K	1	417341024	
PCB	R6701	CARBON R	R16J-22K	1	417342234	
PCB	R6702	CARBON R	R16J-10K	1	417341034	
PCB	R6704	CARBON R	R16J-47K	1	417344734	
PCB	R6706	CARBON R	R16J-220K	1	417342244	
PCB	R6708	CARBON R	R16J-33K	1	417343334	
PCB	R6709	CARBON R	R16J-5.6K	1	417345624	
PCB	R6710	CARBON R	R16J-56K	1	417345634	<402>, <8240>
PCB	R6710	CARBON R	R16J-12K	1	417341234	<DD>, <DC>
PCB	R6710	CARBON R	R16J-12K	1	417341234	<PA>, <PT>, <WT>
PCB	R6850	METAL O R	RS1/2WBJ-390	1	443523914	
PCB	R6851	METAL O R	RS1/2WBJ-390	1	443523914	
PCB	R6902	CARBON R	R16J-1K	1	417341024	
PCB	RL901	RELAY SW	NRL-1P5A-DC12-102	1	25065526	
PCB	RL901 or	RELAY	NRL-1P5A-DC12-127	(1)	25065561	
PCB	RL901 or	RELAY	NRL-1P5A-DC12-096	(1)	25065515	
PCB	RL901 or	RELAY	NRL-1P10A-DC12-093	(1)	25065508	
PCB	RL6901	RELAY SW	NRL-1P5A-DC12-102	1	25065526	
PCB	RL6901 or	RELAY	NRL-1P5A-DC12-127	(1)	25065561	
PCB	RL6901 or	RELAY	NRL-1P5A-DC12-096	(1)	25065515	

PCB	RL6901 or	RELAY	NRL-1P10A-DC12-093	(1)	25065508	
PCB	RL6902	RELAY SW	NRL-1P5A-DC12-102	1	25065526	
PCB	RL6902 or	RELAY	NRL-1P5A-DC12-127	(1)	25065561	
PCB	RL6902 or	RELAY	NRL-1P5A-DC12-096	(1)	25065515	
PCB	RL6902 or	RELAY	NRL-1P10A-DC12-093	(1)	25065508	
PCB	P206A	PLUG	NPLG-14P666	1	25055710	
PCB	P801B	SOCKET	NSCT-14P1029	1	25051239	
PCB	P931	PLUG	NPLG-5P657	1	25055701	
PCB	P931A	SOCKET	NSCT-5P1020	1	25051230	
PCB	P6000	PLUG	NPLG-5P0960	1	25056010	
PCB	P6001	PLUG	NPLG-5P0960	1	25056010	
PCB	P6002	PLUG	NPLG-5P0960	1	25056010	
PCB	P6003	PLUG	NPLG-5P0960	1	25056010	
PCB	P6004	PLUG	NPLG-5P0960	1	25056010	
PCB	P6011	PLUG	NPLG-9P0964	1	25056014	
PCB	P6072	TRM	NTM-1P233(M1969)	1	25060302	
PCB	P6072A	TRM	NTM-1P232(M1700)	1	25060301	
PCB	P6073A	TRM	NTM-1P232(M1700)	1	25060301	
PCB	P6080	PLUG	NPLG-2P29	1	25055038	
PCB	P6081	PLUG	NPLG-2P29	1	25055038	
PCB	P6082	PLUG	NPLG-2P29	1	25055038	
PCB	P6083	PLUG	NPLG-2P29	1	25055038	
PCB	P6084	PLUG	NPLG-2P29	1	25055038	
PCB	P6301	PLUG	NPLG-2P29	1	25055038	
PCB	P6801	WS CLAMP	CP-2S	1	260226	
PCB	P6903	BUS BAR	BBL25	1	27141806	
PCB	P6906	RETAINER	KANAGU(7-7)	1	27141059	
PCB	P6907	TRM(SCREW)	NEGITANSI M3	1	25065425	
PCB	P6931	PLUG	NPLG-15P667	1	25055711	
PCB	F901A	FUSE HOL	NSCT-1P2031	1	25052133	<DD>, <DC>, <WT>
PCB	F901B	FUSE HOL	NSCT-1P2031	1	25052133	<DD>, <DC>, <WT>
PCB	F901C	LABEL	LABEL	1	29360842	<DD>, <DC>
PCB	F902A	FUSE HOL	NSCT-1P2031	1	25052133	<402>, <8240>
PCB	F902A	FUSE HOL	NSCT-1P2031	1	25052133	<PA>, <WT>
PCB	F902B	FUSE HOL	NSCT-1P2031	1	25052133	<402>, <8240>
PCB	F902B	FUSE HOL	NSCT-1P2031	1	25052133	<PA>, <WT>
PCB	F903A	FUSE HOL	NSCT-1P2031	1	25052133	
PCB	F903B	FUSE HOL	NSCT-1P2031	1	25052133	
PCB	F903C	LABEL	5A/125V	1	29360462	<DD>, <DC>
PCB	F6901A	FUSE HOL	NSCT-1P2031	1	25052133	
PCB	F6901B	FUSE HOL	NSCT-1P2031	1	25052133	
PCB	F6901C	FUSE LABEL	T8AL250V	1	29362800	<402>, <8240>
PCB	F6901C	FUSE LABEL	T8AL250V	1	29362800	<PA>, <PT>, <WT>
PCB	F6902A	FUSE HOL	NSCT-1P2031	1	25052133	
PCB	F6902B	FUSE HOL	NSCT-1P2031	1	25052133	
PCB	JL6402B	WIRE HOL	NSCT-3P874	1	25051087	<DD>, <DC>
PCB	JL6403C	WIRE HOL	NSCT-3P874	1	25051087	<402>, <8240>
PCB	JL6403C	WIRE HOL	NSCT-3P874	1	25051087	<PA>, <PT>, <WT>
PCB	P901A	PLUG	NPLG-2P631	1	25055675	<402>, <8240>
PCB	P901A	PLUG	NPLG-2P631	1	25055675	<DD>, <DC>, <WT>
PCB	P902	AC OUTLET	NSCT-2P2560	1	25052664	<402>, <8240>
PCB	P902	AC OUTLET	NSCT-2P2013	1	25052115	<PA>
PCB	P902	SOCKET	NSCT-2P1358	1	25051571	<DD>, <DC>
PCB	P902	SOCKET	NSCT-2P1359	1	25051572	<WT>, <PT>
PCB	P911	CRIMP AS	CRIMP AS	1	2069943259UL	
PCB	P912	CRIMP AS	CRIMP AS	1	2069943224UL	
PCB	P913	CRIMP AS	CRIMP AS	1	2069943206UL	<WT>

PCB	P921	CRIMP AS	CRIMP-AS	1	2069943101UL	<WT>
PCB	P922	CRIMP AS	CRIMP-AS	1	2069943103UL	<WT>
PCB	P923	CRIMP AS	CRIMP AS	1	2069943106UL	<WT>
PCB	P6380	SHLD CASE	(THERMISTOR)	1	27225154A	<WT>
PCB	S902	SLIDE SW	NSS-22157P	1	25065437	<WT>
PCB	J010	CRIMP AS	CRIMP AS	1	2069925149UL	
PCB	J011	CRIMP AS	CRIMP AS	1	2069925226UL	
PCB	JL6402A	WIRE HOL	NSCT-3P874	1	25051087	
PCB	JL6803A	WIRE HOL	NSCT-5P896	1	25051109	
PCB	JL6804A	WIRE HOL	NSCT-5P896	1	25051109	
PCB	JL6805A	WIRE HOL	NSCT-4P895	1	25051108	
PCB	JL6951A	WIRE HOL	NSCT-5P896	1	25051109	
PCB	JL6951B	WIRE HOL	NSCT-5P896	1	25051109	
PCB	JL6952A	WIRE HOL	NSCT-5P896	1	25051109	
PCB	JL6952B	WIRE HOL	NSCT-5P896	1	25051109	

<Notes>

When replacement the following the capacitor, made from the same Parts No. as the original type.

C6901 - C6902

TX-SR402/8240/HT-R420**PACKING PROCEDURES PARTS LIST****<Notes>**

(S) : Silver model

(B) : Black model

(G) : Golden model

<402> : TX-SR402 (Chinese model)

<8240> : TX-SR8240 (Chinese model)

	REF NO.	NAME	DESCRIPTION	Q'TY	PART NO.	REMARKS
PKG	A601	PAD	AS	1	29092087A	
PKG	A610	POLY BAG	POLY BAG(850 x 650)	1	29100034-1A	
PKG	A611	SHEET	---	1	29095906	
PKG	A613	TAPE	(SEROHAN)NITTO NO.29	1	29110149	
PKG	A615	PP TAPE	W48 OPP TAPE	1	29110148	
PKG	A625	POLY BAG	350 x 250	1	29100097-1A	
PKG	A635	LABEL	(SP CABLE)	1	29363059A	
PKG	A650	CARTON	---	1	29054167	<8240>, (G)
PKG	A650	CARTON	---	1	29054136	<402>, (S)
PKG	A650	CARTON	---	1	29054135	<402>, (G)
PKG	A655	EAN LABEL	---	1	29363683	<8240>, (G)
PKG	A655	EAN LABEL	---	1	29363598	<402>, (G)
PKG	A655	EAN LABEL	---	1	29363597	<402>, (S)
PKG	A801	INS MANUAL	Cs(TX-SR402)	1	29343626	<402>, <8240>
PKG	A811	REMO CON	RC-479S	1	24140479	
PKG	A812	BATTERY	R6/AA(UM-3)	2	3010054	
PKG	A820	ANT COIL	NMA-3057	1	232140	
PKG	A821	FM ANT AS	Type W	1	292191	

ONKYO CORPORATION

Sales & Product Planning Div. : 2-1, Nisshin-cho, Neyagawa-shi, OSAKA 572-8540, JAPAN
Tel: 072-831-8023 Fax: 072-831-8124

ONKYO U.S.A. CORPORATION

18 Park Way, Upper Saddle River, N.J. 07458, U.S.A.
Tel: 201-785-2600 Fax: 201-785-2650 <http://www.onkyousa.com>

ONKYO EUROPE ELECTRONICS GmbH

Liegnitzerstrasse 6, 82194 Groebenzell, GERMANY
Tel: +49-8142-4401-0 Fax: +49-8142-4401-555 <http://www.onkyo.net>

ONKYO CHINA LIMITED

Units 2102-2107, Metroplaza Tower I, 223 Hing Fong Road, Kwai Chung,
N.T., HONG KONG Tel: 852-2429-3118 Fax: 852-2428-9039

