

AV RECEIVER

Service Manual

TX-SR444

- ✓ Pre Issue (2015-Apr)
- ✓ Final Issue (2015-May)



CONTENTS

- ✓ [Front Cover \(This page\)](#)
- ✓ [Note for Parts List](#)
- ✓ [Panel](#)
- ✓ [Reset](#)
- ✓ [Amp Diag Mode after Abnormal Conditions](#)
- ✓ [Model and Destination](#)
- ✓ [Firmware](#)
Adjustment (Unnecessary)
- ✓ [Hookup and Setting](#)
- ✓ [Trouble Shoot](#)
- ✓ [Disassembly](#)
- ✓ [Schematic Diagram](#)
- ✓ [Exploded View](#)
- ✓ [Appendix](#)

SAFETY-RELATED COMPONENT WARNING!! : COMPONENTS IDENTIFIED BY MARK Δ ON THE SCHEMATIC DIAGRAM AND IN THE PARTS LIST ARE CRITICAL FOR RISK OF FIRE AND ELECTRIC SHOCK. REPLACE THESE COMPONENTS WITH ONKYO PARTS WHOSE PART NUMBERS APPEAR AS SHOWN IN THIS MANUAL. MAKE LEAKAGE-CURRENT OR RESISTANCE MEASUREMENTS TO DETERMINE THAT EXPOSED PARTS ARE ACCEPTABLY INSULATED FROM THE SUPPLY CIRCUIT BEFORE RETURNING THE APPLIANCE TO THE CUSTOMER.

ONKYO®

Published by Onkyo & Pioneer Corporation Global CS Department

File Name of Parts List File (EXCEL File)

Note for Parts List

When parts list is EXCEL file, please refer to the following explanation about file name.

PL_ **TX-SR343** (**B**) **MJJ** .xlsx

Model No.

Color

Destination

Look at the rear panel serial number 6 digit.

○ ○ ○ ○ ○ J ○ ○ ○ ○ ○ ○ ○ ○ ○ ○

Voltage

Look at the rear panel serial number 5 digit.

○ ○ ○ ○ J ○ ○ ○ ○ ○ ○ ○ ○ ○ ○ ○ ○

Color

- (B) Black
- (BR) Brown
- (C) Cherry
- (G) Gold
- (GR) Green
- (H) Gray
- (K) Black
- (L) Blue
- (LB) Light Blue
- (M) Wood
- (O) Orange
- (P) Pink
- (R) Red
- (S) Silver
- (V) Violet
- (W) White
- (Y) Yellow

Voltage

- J 100V AC
- D 120V AC
- M 220-240V AC
- P 230V AC
- U 100-240V AC

Speaker System (without AMP.) :

- 0 Passive Subwoofer
- F Front Speaker
- C Center Speaker
- R Rear Speaker
- B Back Speaker

Destination

- J Japan
- C North American
- D USA
- F Taiwan
- S Brazil
- Q Hong Kong
- R China
- A Australia
- B United Kingdom
- K Korea
- L Russia
- P Europe
- U Worldwide

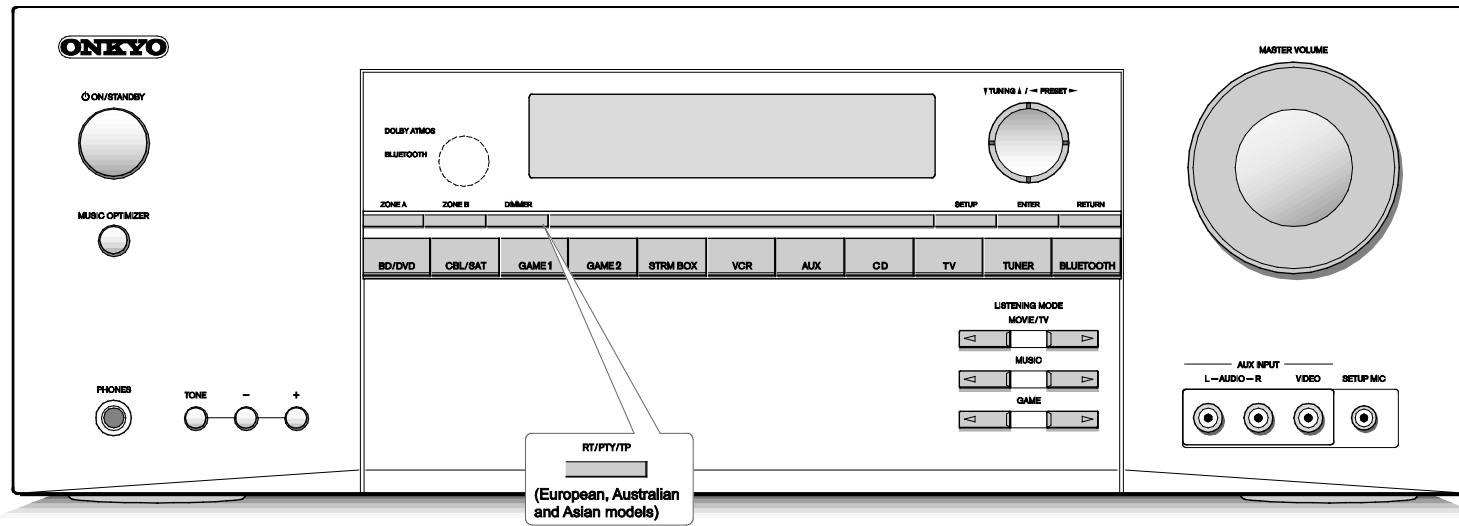
Speaker System (without AMP.) :

- L Left channel
- R Right channel
- 0 Center channel

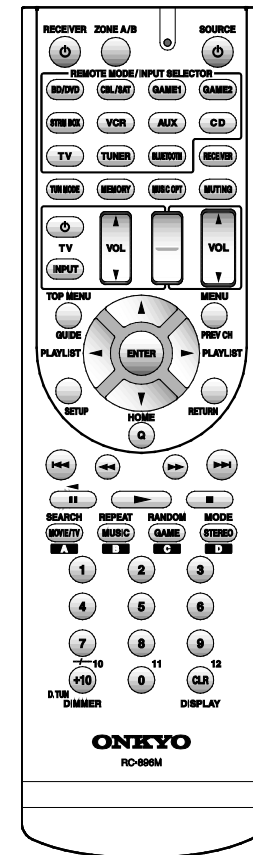
Front Panel / Rear Panel / Remote Control Unit

Panel

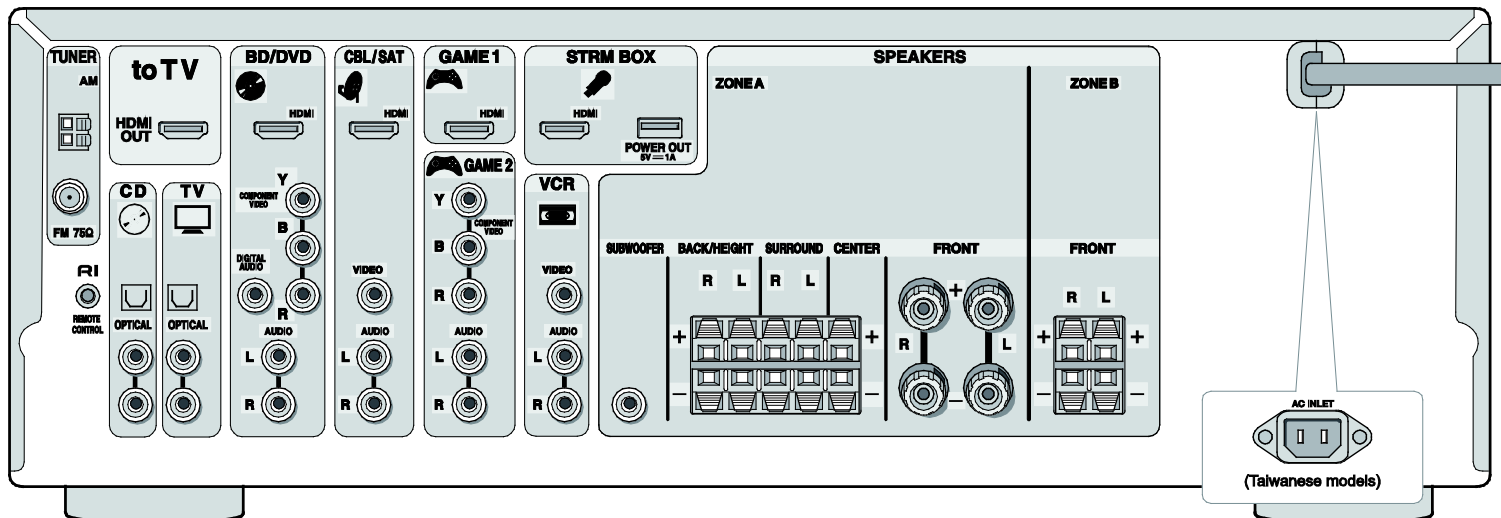
Front Panel



Remote Control Unit RC-896M



Rear Panel



Accessory

- Indoor FM antenna --- (1)
- AM loop antenna --- (1)
- Remote controller (RC-896M) --- (1)
- Batteries (AA/R6) --- (2)
- Power cord (Taiwanese models) --- (1)
- Speaker setup microphone --- (1)

Weight : 7.8 kg (17.2 lbs.) (North American and Taiwanese), 8.0 kg (17.6 lbs.) (Others)
 Dimensions (W × H × D) : 435 mm × 160 mm × 328 mm, 17-1/8" × 6-5/16" × 12-15/16"

The number in parenthesis indicates the quantity.
 On packaging, the letter at the end of the product name indicates the color.

How to Reset the Unit

Reset

● How to reset:

Step1

While holding down CBL/SAT on the main unit (note that step 2 must be performed with this button pressed down)

Step2

Press ON/STANDBY on the main unit. ("Clear" appears on the display and the unit returns to standby.)

- Do not unplug the power cord until "Clear" disappears from the display.

● How to reset the remote controller:

Step1

While holding down RECEIVER on the remote controller, press Q until the remote indicator stays lit (about 3 seconds).

Step2

Within 30 seconds, press RECEIVER again.

● リセット方法 :

1.

本体のCBL/SATボタンを押しながら (必ず押した状態で2.の操作を行ってください)

2.

本体のON/STANDBYボタンを押す (表示部に「Clear」が表示されてスタンバイ状態に戻ります)

- 表示部から「Clear」が消えるまで、絶対に電源コードを抜かないでください。

● リモコンのリセット方法 :

1.

リモコンのRECEIVERボタンを押しながら、リモートインジケータが点灯するまでQボタンを3秒以上押す

2.

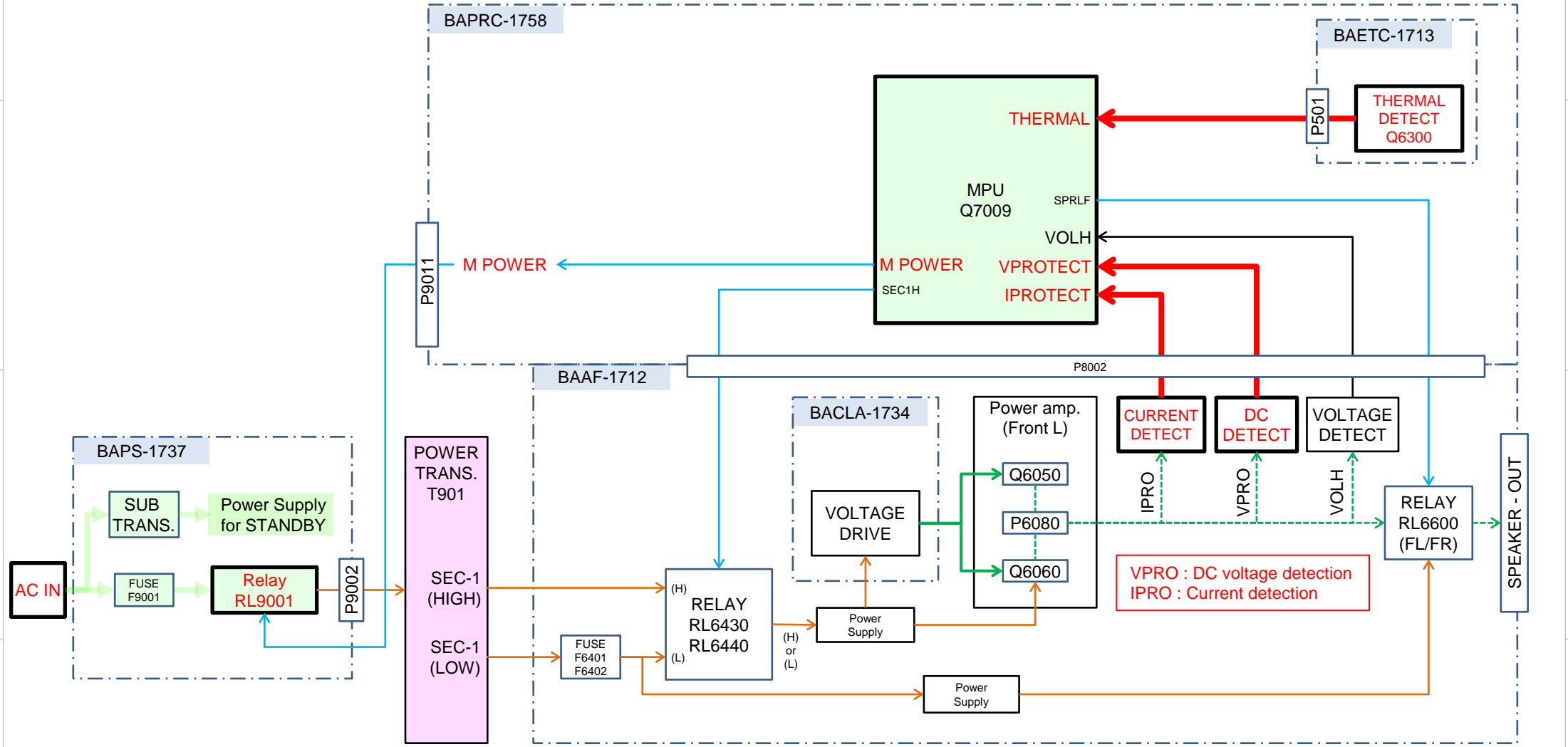
30秒以内にRECEIVERボタンをもう一度押すとリセットされる

COMMON

Protect Mode

Amp Diag Mode after Abnormal Conditions

The unit goes into standby automatically when detect the abnormal condition of thermal detection, dc voltage detection or current detection. (e.g. TX-SR343 block diagram below)



Self-diagnostics

This function is for avoiding the rupture of electrolytic capacitors with amplifier circuit failure during power-ON.

Operation of Self-diagnostic

Self-diagnostic will start at the timing of next power on, after goes to the protect mode by Current detection or DC voltage detection.

Only On/Standby key could work in this mode. Also remote control does not work. However, the CLEAR operation is enabled.

During Self-diagnostic, the power supply for amplifier circuit become low voltage state(SEC1-LOW), and the speaker relay will be turned off. Then, MPU will check each amplifier circuits Internally by entering the test signal (20 kHz,-20 dBFS sine wave) to each channel from DSP.

MPU will judge the amplifier circuit is good or not from VOLH value.

The normal range of VOLH value is $0.04\text{ V} < \text{VOLH} < 0.20\text{ V}$.

If VOLH value is in the out of this range, it will be judged as NG (No good).

No problem found

When protected by current detection, and no problem found, "CHECK SP WIRE" will be displayed. In this State, Only the On/Standby key is effective. And if do not anything for 3 minutes, unit goes into standby automatically.

When protected by a DC voltage detection, and no problem found, unit goes into normal operation.

Problem found

When judged as there is a problem on any channel, the information of channel that has a problem will be displayed as in the right figure.

In this State, Only the On/Standby key is effective. Also remote control does not work. If do not anything for 3 minutes, unit goes into standby automatically. This state will keep also after unit turn on/off, or AC unplugged.

the power supply for amplifier circuit become low voltage state(SEC1-LOW), and the speaker relay will be turned off.

Amp Diag Mode after Abnormal Conditions

Display of during Self-diagnostics

2 Line FL tube type

A	M	P		D	i	a	g		M	o	d	e	

1 Line FL tube type

A	M	P		D	i	a	g		M	o	d	e	
---	---	---	--	---	---	---	---	--	---	---	---	---	--

"Mode" This part display the channel which is currently checked. (E.g. "[FL]", etc.)

Display of when problem found

2 Line FL tube type

N	G		C	H	:								
			L	C	R	S	L	S	R	B	L	B	R

1 Line FL tube type

N	G	:	L	C	R	S	L	S	R	B	L	B	R
---	---	---	---	---	---	---	---	---	---	---	---	---	---

- L** → Front L channel **S L** → Surround L channel
- C** → Center channel **S R** → Surround R channel
- R** → Front R channel **B L** → Surround back L channel
- B R** → Surround back R channel

Repair Process and How to Confirm

Confirmation of the protect cause

While NG channel is displayed, You can confirm the protect cause by following the step below.

1. Press the Enter button
2. The protect cause are displayed for 5 seconds.

Please check the around of those amplifier circuit and repair it.

Clear of NG CH information

After repair, you can clear NG CH information by following the steps below.

1. Press the On/Standby key while pressing the Enter key.
2. Display as in the right figure appears.
3. Unit goes into Standby automatically after 5 seconds.

Self-diagnostic will start again at the timing of next power on.

By this, You can verify whether repair was properly or not.

If problem found after repair, please re-check the around of its circuit.

Cancel of Self-diagnostic

You can cancel this mode by clear operation (press Standby key while pressing CBL/SAT key).

After cancel this mode, receiver will be started as normal operation.

Amp Diag Mode after Abnormal Conditions

Protected by current detection

D E T . P R O T E C T : I

Protected by DC Voltage detection

D E T . P R O T E C T : V

Clear of NG CH information

N G C H C L E A R

How to check model and destination

Model and Destination

[TV] + [ON/STANDBY] → [DIMMER] or [RT/PTY/TP] → [TONE +] x 4

Model Name	Destination	FL Display													
TX-SR343	DC	S	R	3	4	3			D	C		2	0	0	0
TX-SR343	DF	S	R	3	4	3			D	F		0	0	0	0
TX-SR343	JJ	S	R	3	4	3			J	J		4	0	0	0
TX-SR343	xx	S	R	3	4	3			x	x		8	0	0	0
TX-SR444	DC	S	R	4	4	4			D	C		2	2	0	0
TX-SR444	DF	S	R	4	4	4			D	F		0	2	0	0
TX-SR444	xx	S	R	4	4	4			x	x		8	2	0	0
HT-R494	DC	R	4	9	4				D	C		2	2	0	2
HT-R494	xx	R	4	9	4				x	x		8	2	0	2

How to check Firmware Version & Preparation of Update

Step1 : [TONE +] + [ON/STANDBY] x 2

Main Firmware Version will appear on the main unit's display.

Step2 : [TONE +]

DSP Firmware Version will appear on the main unit's display.

Step3 : [TONE +]

VIDEO Firmware Version will appear on the main unit's display.

Step5 : [TONE +]

OSD Firmware Version will appear on the main unit's display.

[Preparation of Update]

1. Connect the MMC storage device to your PC. If there is any data in the MMC storage device, remove it.
2. Download the firmware file (package file) from the Onkyo FTP-server. However European service partners should download the firmware file (package file) from the ExtraNet.

Onkyo FTP-server: <ftp://manex.onkyo.co.jp/>

ID and Password are those we informed when changed.

Filename is as follows: ONKAVR001A_*****.zip

Unzip the downloaded file. A following file is created.

ONKAVR001A_*****.of1

ONKAVR001A_*****.of2

ONKAVR001A_*****.of3

ONKAVR001A_*****.of4

ONKAVR001A_*****.of5

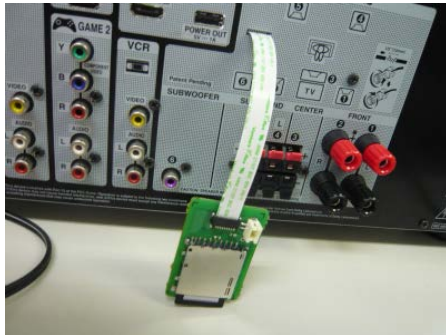
3. Copy it to the MMC storage device. Be careful not to copy the zip file.
4. Remove the MMC storage device from your PC. And insert MMC card to MMC card JIG(0J34).



How to Update (service mode) 1/2

Overwriting is also possible.

1. Connect the MMC card JIG(0J34) with MMC card that is already all firmware in it to JIG port on the unit.



MMC card JIG 0J34

2. Turn on the unit. It takes some time to start after you switch on the unit.
3. Press [RETURN] button, Then it is displayed as below



If you need each module of the firmware update, you can select the module by pressing PRESET < and > button.

- MMC -> ALL: ALL firmware update (default)
- MMC -> DSP: DSP firmware update
- MMC -> OSD: OSD firmware update
- MMC -> VMPU: Video MPU firmware update
- MMC -> MMPU: Main MPU firmware update
- MMC -> WORK: Compare between AVR and MMC, Only update new version firmware



The default setting is "ALL"

CAUTION: When you will update each module firmware, you have to keep combination of firmware.

4. Press [ENTER] button. Start update firmware.



How to Update (service mode) 2/2

Firmware

5. Wait until update is completed. When the update ends, "Completed!" is displayed. When "Completed!" message appeared, you can power off by pressing "ON/STANDBY" button. (If you leave it, it automatically turns standby mode.)



6. Press [ON/STANDBY] button, and the unit turns on.
7. Check the new FW version number.

<Note>

If the procedure might not be successful, please select "MMC -> ALL".

No Sound

■ No sound from connected player

- Chose input selector which is assigned to connected input terminal ?
- Isn't muting on ?

■ No sound from connected TV

- Chose wrong input selector ?
- Connect to this model's HDMI OUT terminal from TV by HDMI cable ?
- When TV supports ARC function, connect to his model's HDMI OUT terminal from TV's HDMI input terminal for ARC function ?
- When TV doesn't support ARC function, connect TV to this model with optical cable etc. ?
- Isn't muting on ?

■ No sound from some connected loudspeaker(s)

- No sound loudspeaker(s) config is enabled ?

■ No sound from all connected TV or Blu-ray player etc.

- After chose loudspeaker volume level setting, test tone is OK ?

■ No problem about above items

- Unplug power cord
After 10 seconds, connect power cord again
- Reset this model

No Picture

Hookup and Setting

■ In general

- Connection cable is bent , twisted or damaged ?
- Input is switched on TV ?

■ No picture from connected player by HDMI input terminal

- Chose input selector which is connected to player ?
- Listening mode is not Pure Audio ?
- Don't use HDMI-DVI adaptor. From personal computer ?

■ No picture from connected player by component video terminal

- Output to TV connected to component video out terminal from player's picture connected to the composite video input terminals ?

■ No problem about above items

- Unplug power cord
After 10 seconds, connect power cord again
- Reset this model

No Power

Hookup and Setting

■ In general

Doesn't be connection cable bent, be it twisted and be it damaged?

■ There is time when indication on the front panel doesn't just light up.

Please check the connecting cord of a DISPLAY PCB.

■ No problem about above items

Unplug power cord

After 10 seconds, connect power cord again

Reset this model

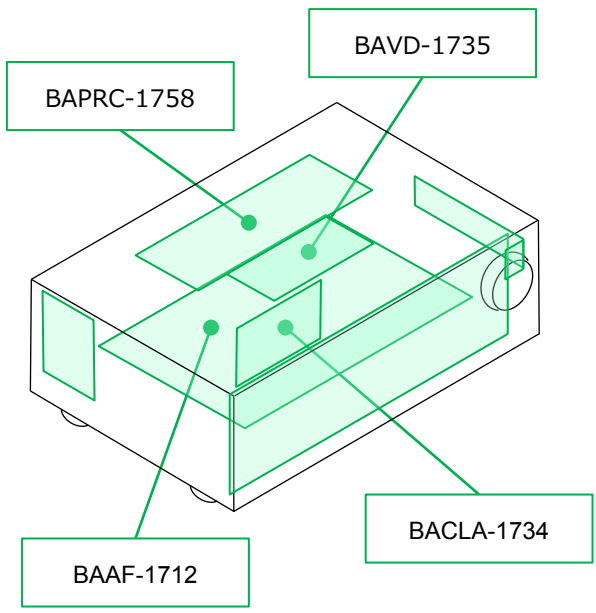
COMMON

No Sound (HDMI in)

Trouble Shoot

Here the trouble shoot which focuses on the hardware troubles regarding PCB assembly is explained.
Of course, with actual repair there are also troubles due to damaged Power Transformer, Wiring, soldering etc. in addition to PCB assembly.

Process	Check Point		Damaged PCB
1	P2801B (BAPRC-1758) ● No.2 pin : +15V	No Good → OK ↓	BAVD-1735
2	P2800B (BAPRC-1758) ● No.7 pin : +3.3V	No Good → OK ↓	BAPRC-1758
3	R6690 (BAAF-1712) ● : +21.5V	No Good → OK ↓	BAAF-1712
4	J4036, J4000 (BAAF-1712) ● J4000 : +15V ● J4036 : -15V	No Good → OK ↓	BAAF-1712
5	P8002A (BAPRC-1758) ● No.11 pin : +3.2V	No Good → OK ↓	BAAF-1712
6	P8002A (BAPRC-1758) ● No.2 pin : Check signal ● No.4 pin : Check signal	No Good → OK ↓	BAPRC-1758
7	J4051 (BAAF-1712) ● : Check signal	No Good → OK ↓	BAAF-1712
8	Q6050, Q6060 (BAAF-1712) Check signal ● Q6050(base) : Check signal ● Q6060(base) : Check signal	No Good → OK ↓	BACLA-1734
9		→	BAAF-1712



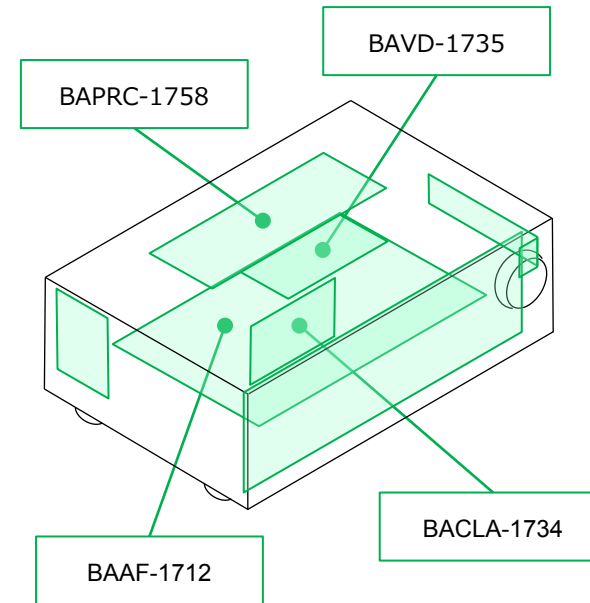
● Each voltage is shown as the reference value.
Value error : Plus or minus 15%

No Sound (Opt in)

Trouble Shoot

Here the trouble shoot which focuses on the hardware troubles regarding PCB assembly is explained.
Of course, with actual repair there are also troubles due to damaged Power Transformer, Wiring, soldering etc. in addition to PCB assembly.

Process	Check Point		Damaged PCB
1	P2801B (BAPRC-1758) ● No.2 pin : +15V	No Good OK	BAVD-1735
2	P2800B (BAPRC-1758) ● No.7 pin : +3.3V	No Good OK	BAPRC-1758
3	R6690 (BAAF-1712) ● : +21.5V	No Good OK	BAAF-1712
4	J4036, J4000 (BAAF-1712) ● J4000 : +15V ● J4036 : -15V	No Good OK	BAAF-1712
5	P8002A (BAPRC-1758) ● No.11 pin : +3.2V	No Good OK	BAAF-1712
6	P2800B (BAPRC-1758) ● No.1 pin : signal	No Good OK	BAPRC-1758
7	P8002A (BAPRC-1758) ● No.2 pin : signal ● No.4 pin : signal	No Good OK	BAPRC-1758
8	J4051 (BAAF-1712) ● : signal	No Good OK	BAAF-1712
9	Q6050, Q6060 (BAAF-1712) ● Q6050(base) : signal ● Q6060(base) : signal	No Good OK	BACLA-1734
10			BAAF-1712



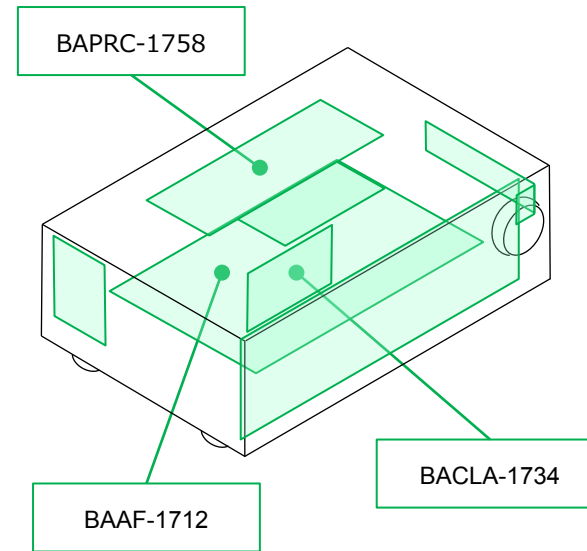
● Each voltage is shown as the reference value.
Value error : Plus or minus 15%

No Sound (Analog in)

Trouble Shoot

Here the trouble shoot which focuses on the hardware troubles regarding PCB assembly is explained.
Of course, with actual repair there are also troubles due to damaged Power Transformer, Wiring, soldering etc. in addition to PCB assembly.

Process	Check Point		Damaged PCB
1	R6690 (BAAF-1712) ● : +21.5V	No Good → OK ↓	BAAF-1712
2	J4036, J4000 (BAAF-1712) ● J4000 : +15V ● J4036 : -15V	No Good → OK ↓	BAAF-1712
3	P8002A (BAPRC-1758) ● No.11 pin : +3.2V	No Good → OK ↓	BAAF-1712
4	J4051 (BAAF-1712) ● : signal	No Good → OK ↓	BAAF-1712
5	Q6050, Q6060 (BAAF-1712) ● Q6050(base) : signal ● Q6060(base) : signal	No Good → OK ↓	BACLA-1734
6			BAAF-1712



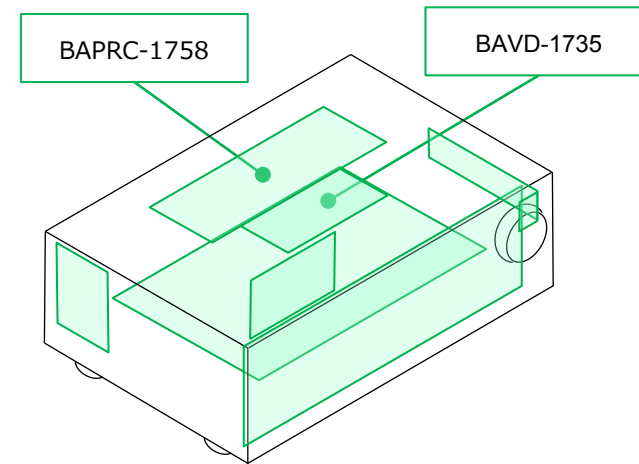
● Each voltage is shown as the reference value.
Value error : Plus or minus 15%

No Picture (HDMI in/ out)

Trouble Shoot

Here the trouble shoot which focuses on the hardware troubles regarding PCB assembly is explained.
Of course, with actual repair there are also troubles due to damaged Power Transformer, Wiring, soldering etc. in addition to PCB assembly.

Process	Check Point	Damaged PCB
1	P2801B (BAPRC-1758) ● No.2 pin : +15V	BAVD-1735
2		BAPRC-1758



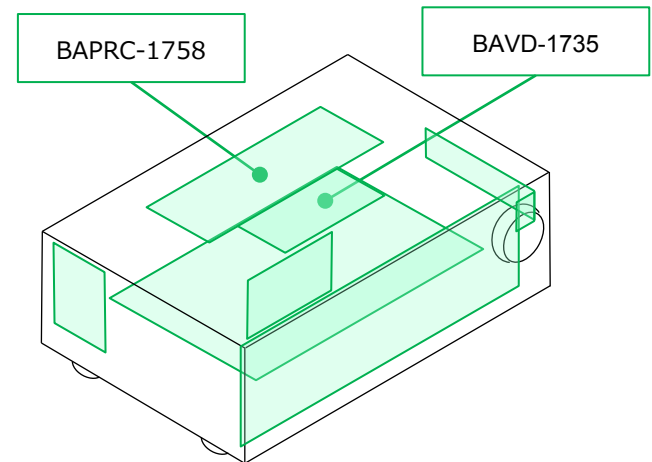
● Each voltage is shown as the reference value.
Value error : Plus or minus 15%

No Picture (Component in/ HDMI out)

Trouble Shoot

Here the trouble shoot which focuses on the hardware troubles regarding PCB assembly is explained.
Of course, with actual repair there are also troubles due to damaged Power Transformer, Wiring, soldering etc. in addition to PCB assembly.

Process	Check Point	Damaged PCB
1	P2801B (BAPRC-1758) ● No.2 pin : +15V	No Good → BAVD-1735 OK ↓
2	P2800B (BAPRC-1758) ● No.11 pin : +5V	No Good → BAPRC-1758 OK ↓
3	P2800B (BAPRC-1758) ● No.13 pin : signal ● No.15 pin : signal ● No.17 pin : signal	No Good → BAVD-1735 OK ↓
4		→ BAPRC-1758



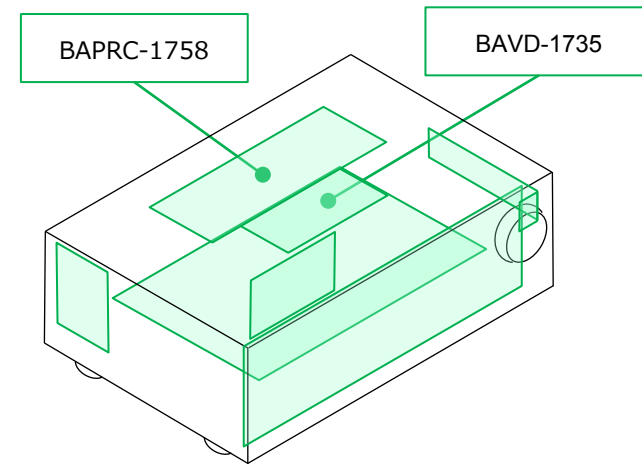
● Each voltage is shown as the reference value.
Value error : Plus or minus 15%

No Picture (Component in/ HDMI out)

Trouble Shoot

Here the trouble shoot which focuses on the hardware troubles regarding PCB assembly is explained.
 Of course, with actual repair there are also troubles due to damaged Power Transformer, Wiring, soldering etc. in addition to PCB assembly.

Process	Check Point	Damaged PCB
1	P2801B (BAPRC-1758) ● No.2 pin : +15V	No Good → BAVD-1735 OK ↓
2	P2800B (BAPRC-1758) ● No.11 pin : +5V	No Good → BAPRC-1758 OK ↓
3	P2800B (BAPRC-1758) ● No.17 pin : signal	No Good → BAVD-1735 OK ↓
4		OK → BAPRC-1758



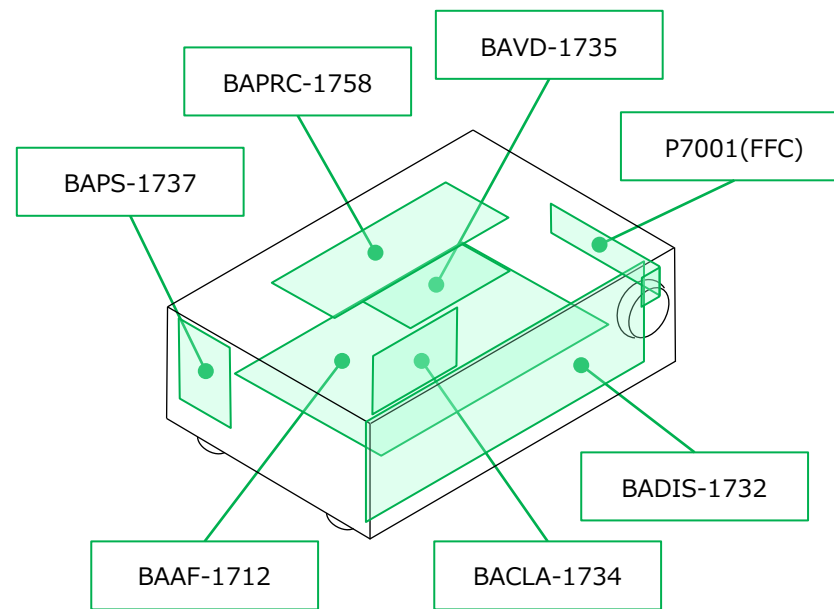
● Each voltage is shown as the reference value.
 Value error : Plus or minus 15%

No Power

Trouble Shoot

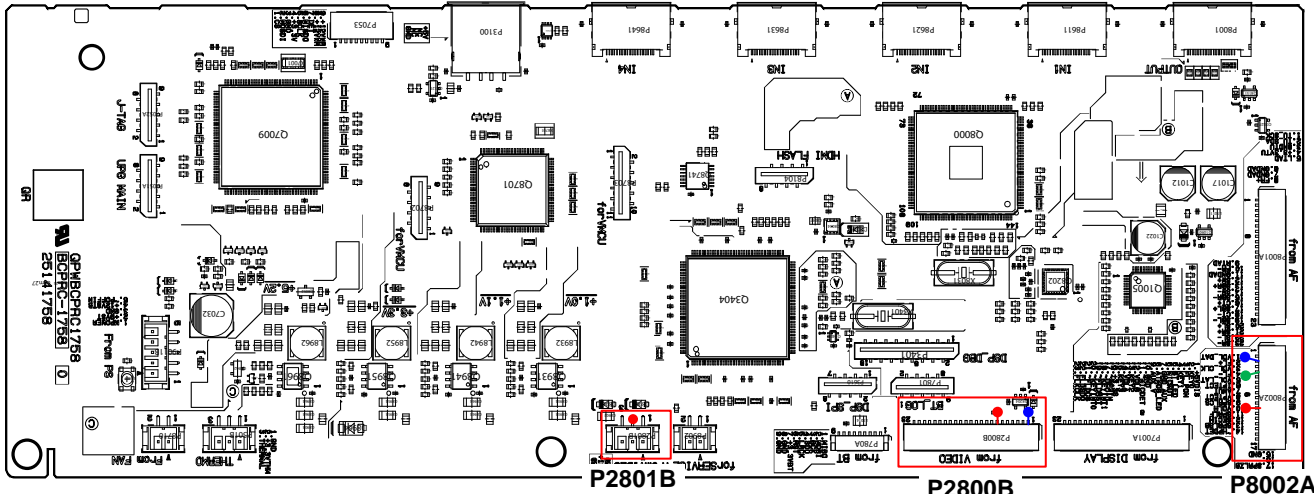
Here the trouble shoot which focuses on the hardware troubles regarding PCB assembly is explained.
Of course, with actual repair there are also troubles due to damaged Power Transformer, Wiring, soldering etc. in addition to PCB assembly.

Process	Check Point		Damaged PCB
1	F9001,F6401,F6402 (BAPS-1737/ BAAF-1712)	No Good OK	BAAF-1712 and BACLA-1734
2	ANY PARTS (BAAF-1712/ BACLA-1734)	No Good OK	BAAF-1712 and BACLA-1734
3	P7001A (BAPRC-1758)	No Good OK	P7001(FFC)
4	P9011B (BAPRC-1758) ● No.4 pin : +14V	No Good OK	BAPS-1737
5	P9011B (BAPRC-1758) ● No.5 pin : +8.7V	No Good OK	BAPS-1737
6	P9011B (BAPRC-1758) ● No.2 pin : +14V	No Good OK	BAPS-1737
7	P9011B (BAPRC-1758) ● No.1 pin : +2.5V	No Good OK	BAPRC-1758
8	RL9001 (BAPS-1737)	No Good OK	BAPS-1737
9	P9002 (BAPS-1737) ● AC100 – 240V	No Good OK	BAVD-1735
10	P7001B (BADIS-1732)	No Good OK	P7001(FFC)
11			BADIS-1732



1. When being not turned on with remote control unit only, BADIS-1732 is abnormal.
2. When being not turned on with button on the main unit only, BADIS-1732 is abnormal.

● Each voltage is shown as the reference value.
Value error : Plus or minus 15%

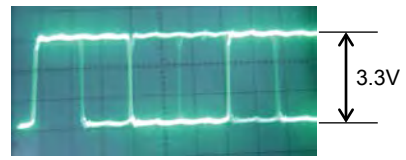


↓
Front

P2801B
Check voltage
● No.2 pin : +15V

P2800B
Check voltage
● No.7 pin : +3.3V

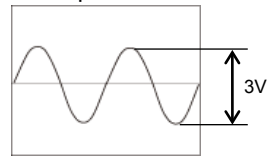
P2800B
Check signal
● No.1 pin :



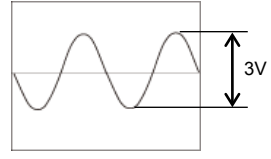
Input terminal : HDMI IN or OPT IN
Input signal : Test disc 1kHz 0dB
Audio format : LPCM, Dolby Digital(Otherwise, CD)

P8002A
Check voltage
● No.11 pin : +3.2V

P8002A
Check signal
● No.2 pin :



● No.4 pin :

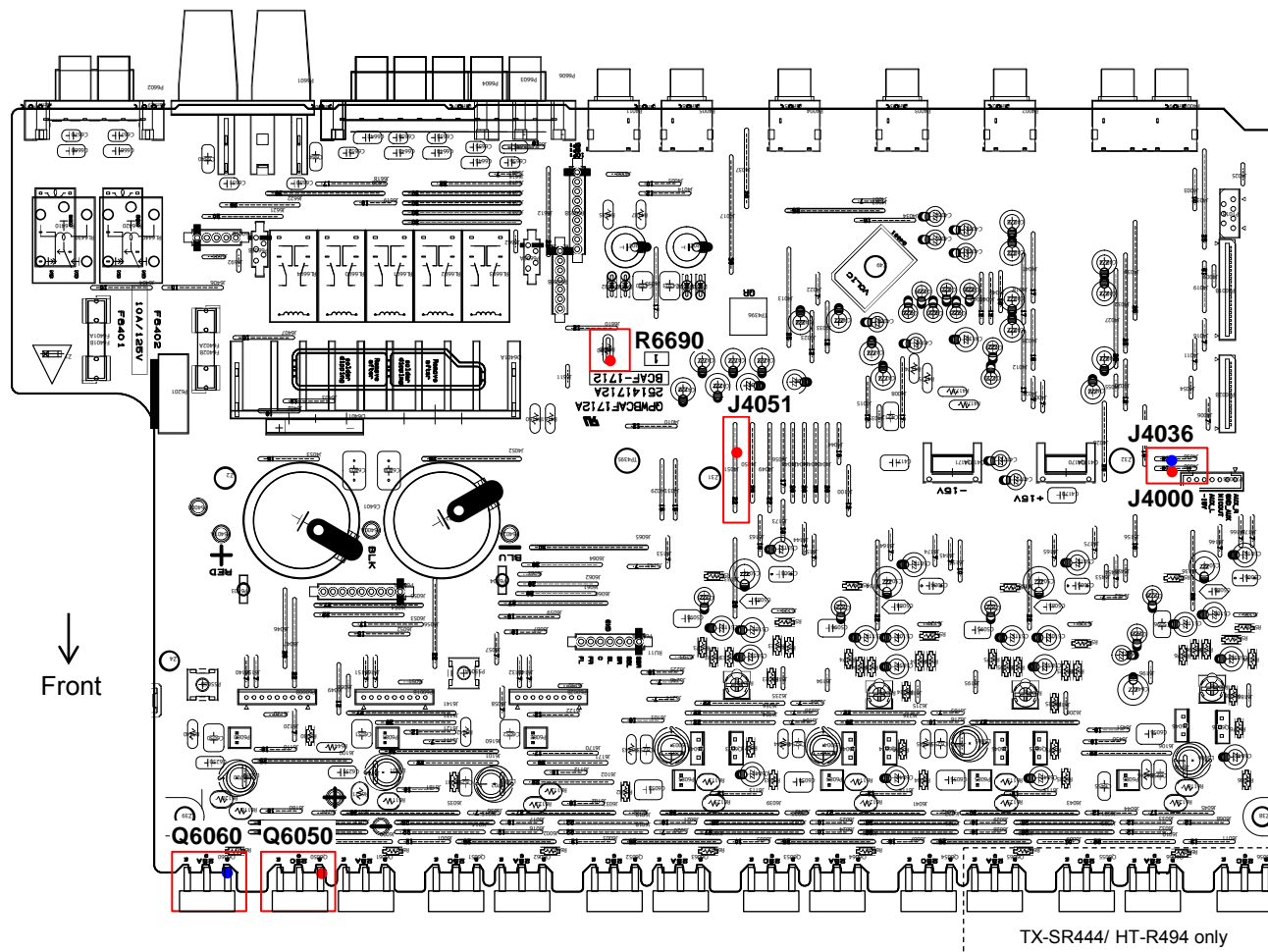


Input terminal : HDMI IN or OPT IN
Input signal : Test disc 1kHz 0dB
Audio format : LPCM, Dolby Digital(Otherwise, CD)

● Each voltage is shown as the reference value.
Value error : Plus or minus 15%

Check Point (BAAF-1712)

Trouble Shoot



R6690

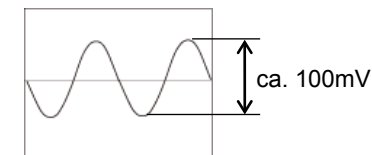
Check voltage
 ● : +21.5V

J4036, J4000

Check voltage
 ● J4000 : +15V
 ● J4036 : -15V

J4051

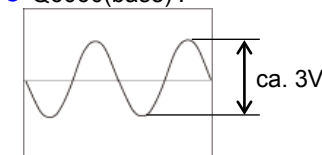
Check signal
 ● :



Input terminal : HDMI IN or OPT IN or ANALOG IN
 Input signal(HDMI/OPT IN) : Test disc 1kHz 0dB
 Audio format : LPCM, Dolby Digital(Otherwise, CD)
 Input signal(ANALOG IN) : 1kHz 2Vrms
 Master volume : 46

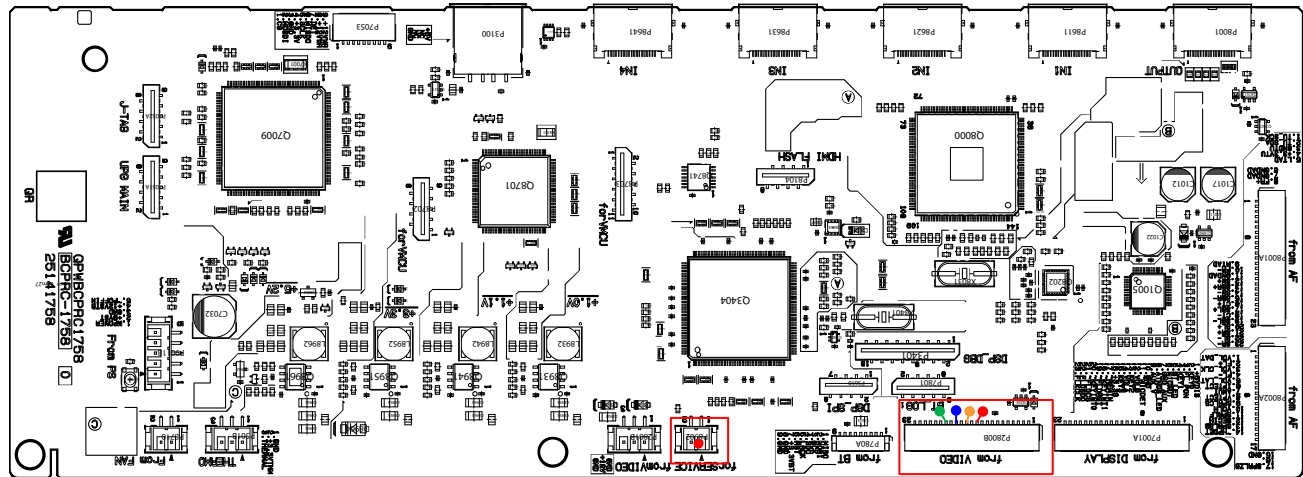
Q6050, Q6060

Check signal
 ● Q6050(base) :
 ● Q6060(base) :



Input terminal : HDMI IN or OPT IN or ANALOG IN
 Input signal(HDMI/OPT IN) : Test disc 1kHz 0dB
 Audio format : LPCM, Dolby Digital(Otherwise, CD)
 Input signal(ANALOG IN) : 1kHz 2Vrms
 Master volume : 46

● Each voltage is shown as the reference value.
 Value error : Plus or minus 15%



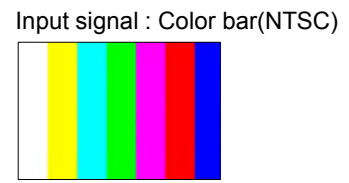
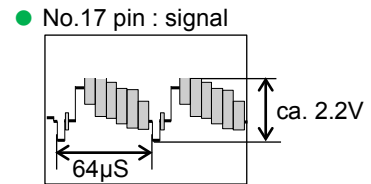
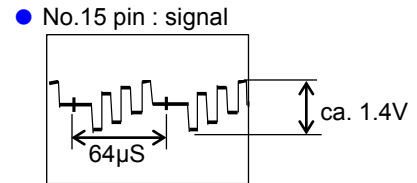
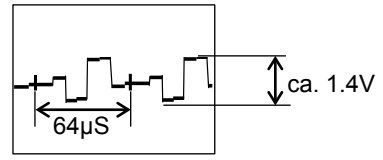
P2801B P2800B

↓
Front

P2801B
Check voltage
● No.2 pin : +15V

P2800B
Check voltage
● No.11 pin : +5V

P2800B
Check signal
● No.13 pin : signal

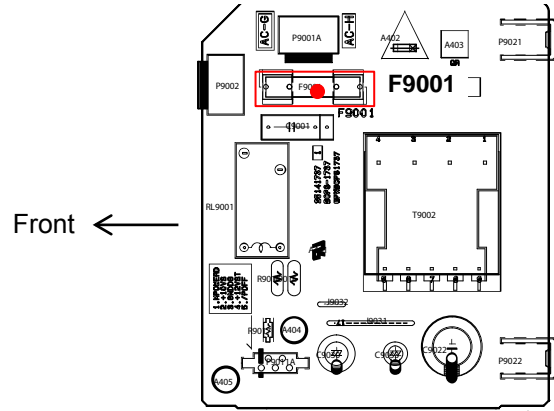


● Each voltage is shown as the reference value.
Value error : Plus or minus 15%

Check Point (BAPS-1737/ BAAF-1712)

Trouble Shoot

BAPS-1737



F9001

Check damage
● Normal (OK) or blown (No good)

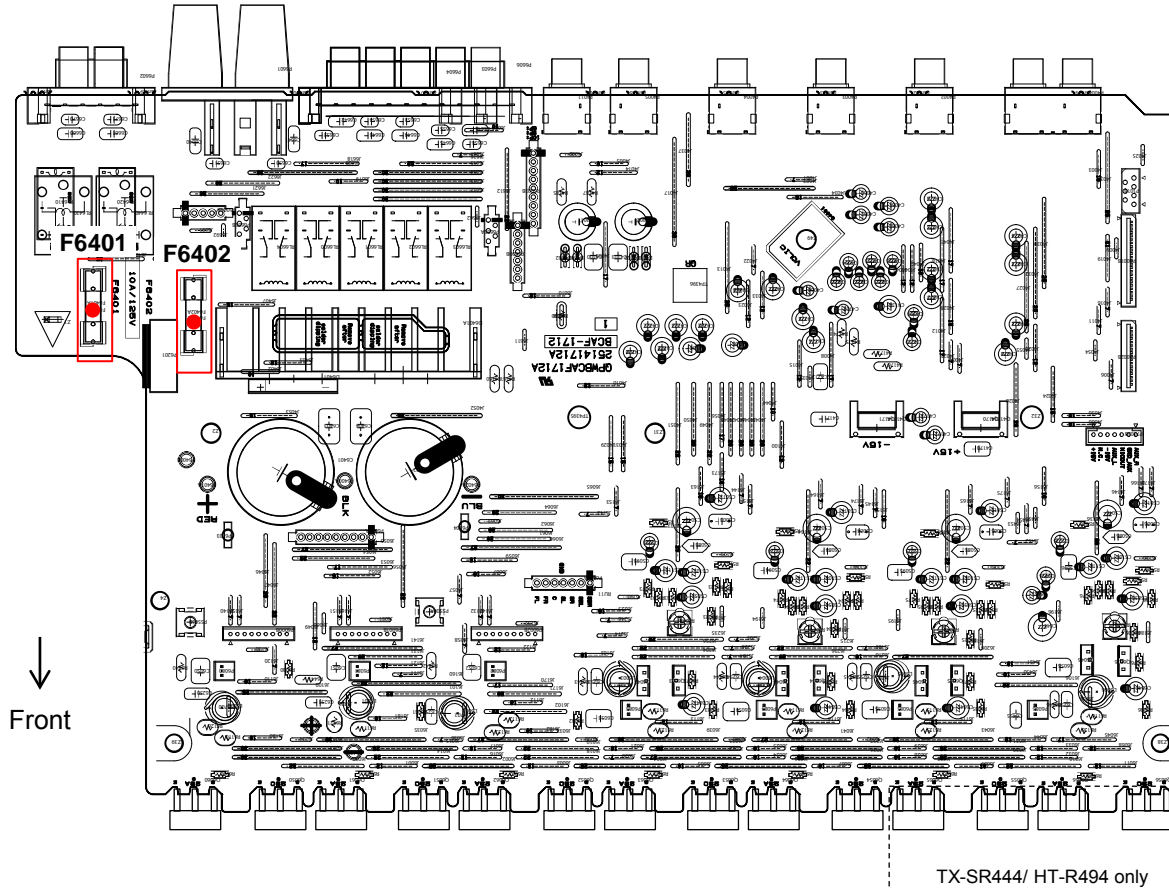
F6401

Check damage
● Normal (OK) or blown (No good)

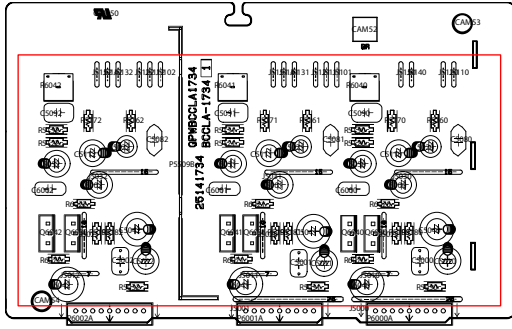
F6402

Check damage
● Normal (OK) or blown (No good)

BAAF-1712



BACLA-1734



ANY PARTS

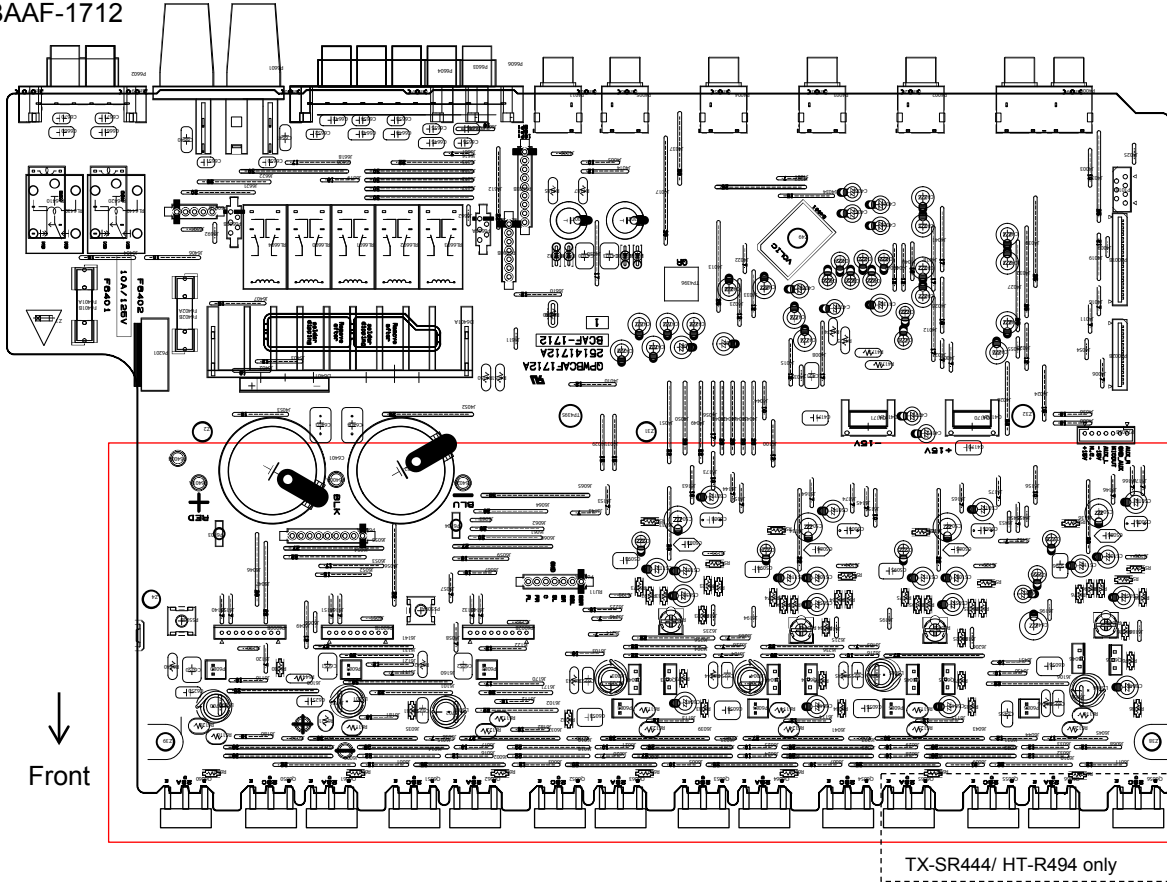
Check damage

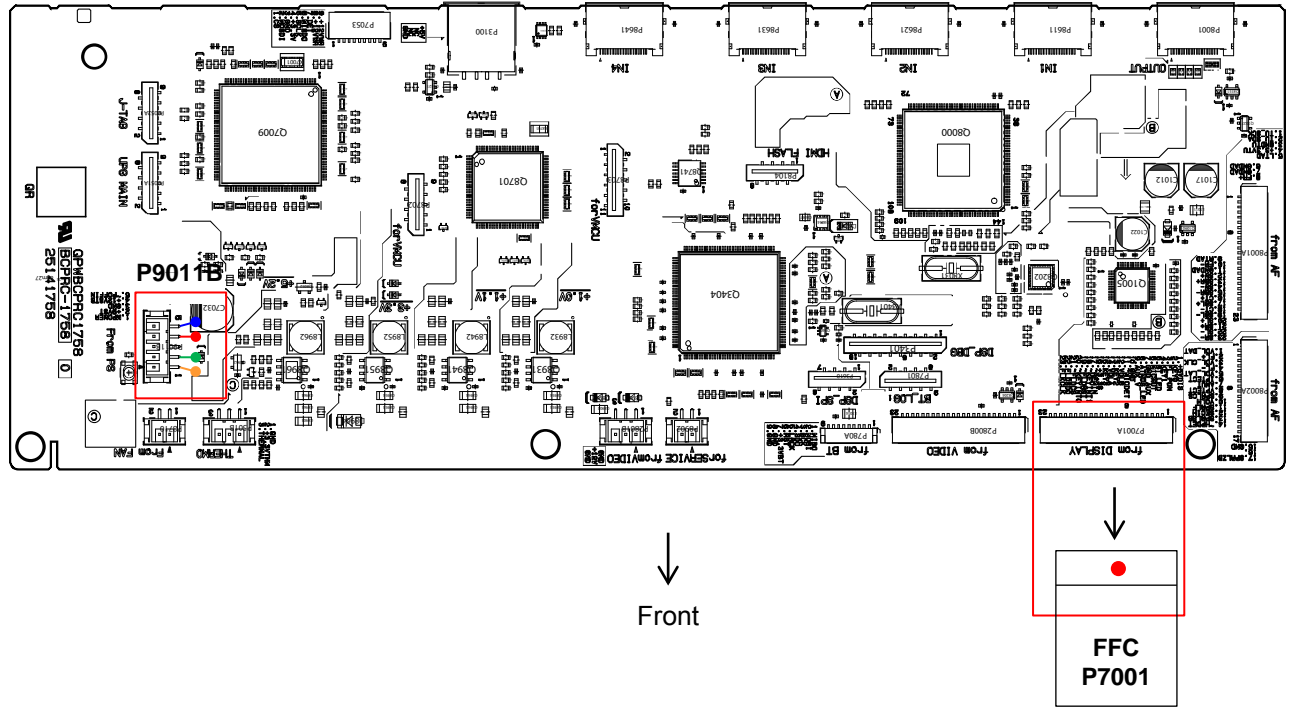
Normal(OK) or Damage (No good)

Check the damage in the red framework part as shown with visual inspection.

e.g. Broken, Burnout, Discoloration, etc.

BAAF-1712





P7001
● Check damage and connection
How to check
1.Disconnect the FFC from the socket.
2.Check the contacts of the FFC.

P9011B
Check voltage
● No.4 pin : +14V

P9011B
Check voltage
● No.5 pin : +8.7V

P9011B
Check signal
● No.2 pin : +14V

P9011B
Check signal
● No.1 pin : +2.5V

● Each voltage is shown as the reference value.
Value error : Plus or minus 15%

Check Point (BAPS-1737)

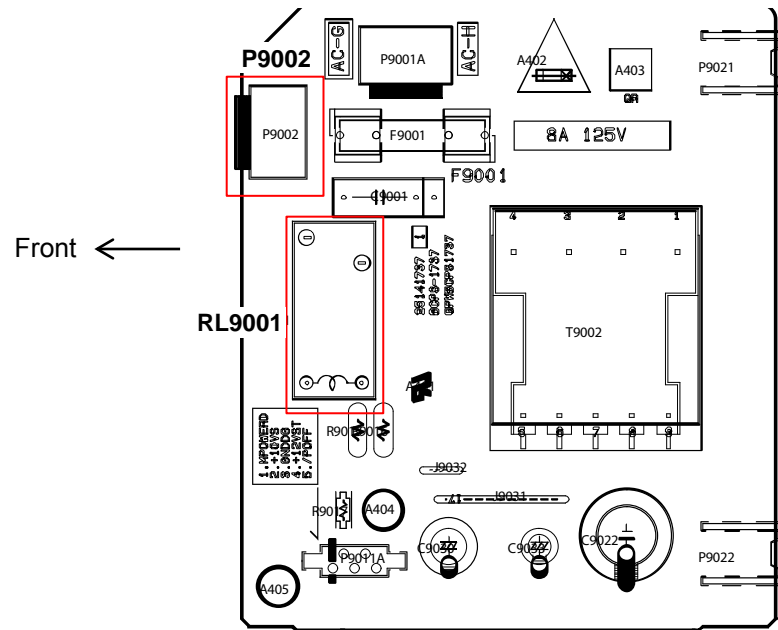
Trouble Shoot

RL9001

Check operation of a relay by sound.
No sound at all ----> No good

P9002

Check voltage
H - L : AC100 - 240V (Power supply voltage)

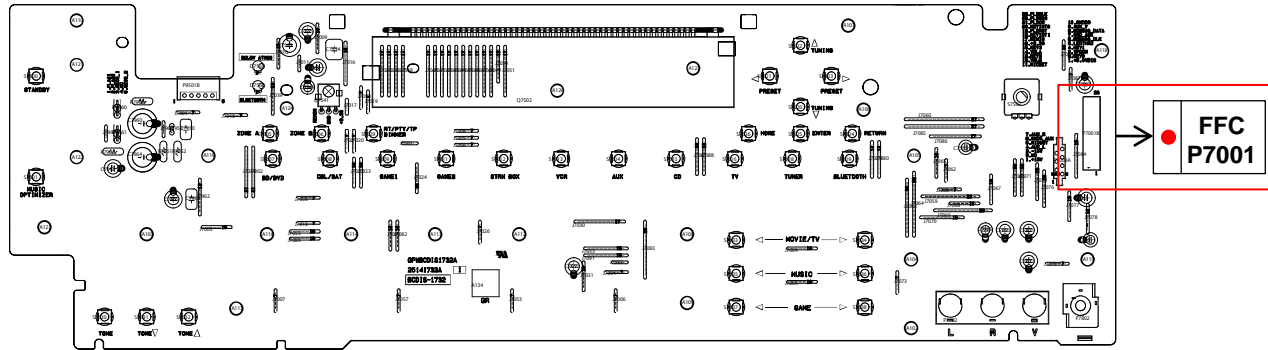


P7001

- Check damage and connection

How to check

1. Disconnect the FFC from the socket.
2. Check the contacts of the FFC.



Summary

This model can be disassembled in the order shown below.

Disassembly

TOP COVER

FRONT PANEL
Refer to 「Front Panel Section」

PCB
BADIS-1732
BAETC-1715
BARF-1764

Tuner & Power Supply
Refer to 「Tuner & Power Supply Section」

PCB
BARF-1738
BAPS-1737

PROCESSOR PCB
Refer to 「Processor Section」

PCB
BAPRC-1758

VIDEO PCB
Refer to 「Video Section」

PCB
BAVD-1735

AMP. PCB
Refer to 「Amplifier Section」

PCB
BACLA-1734
BAAF-1712

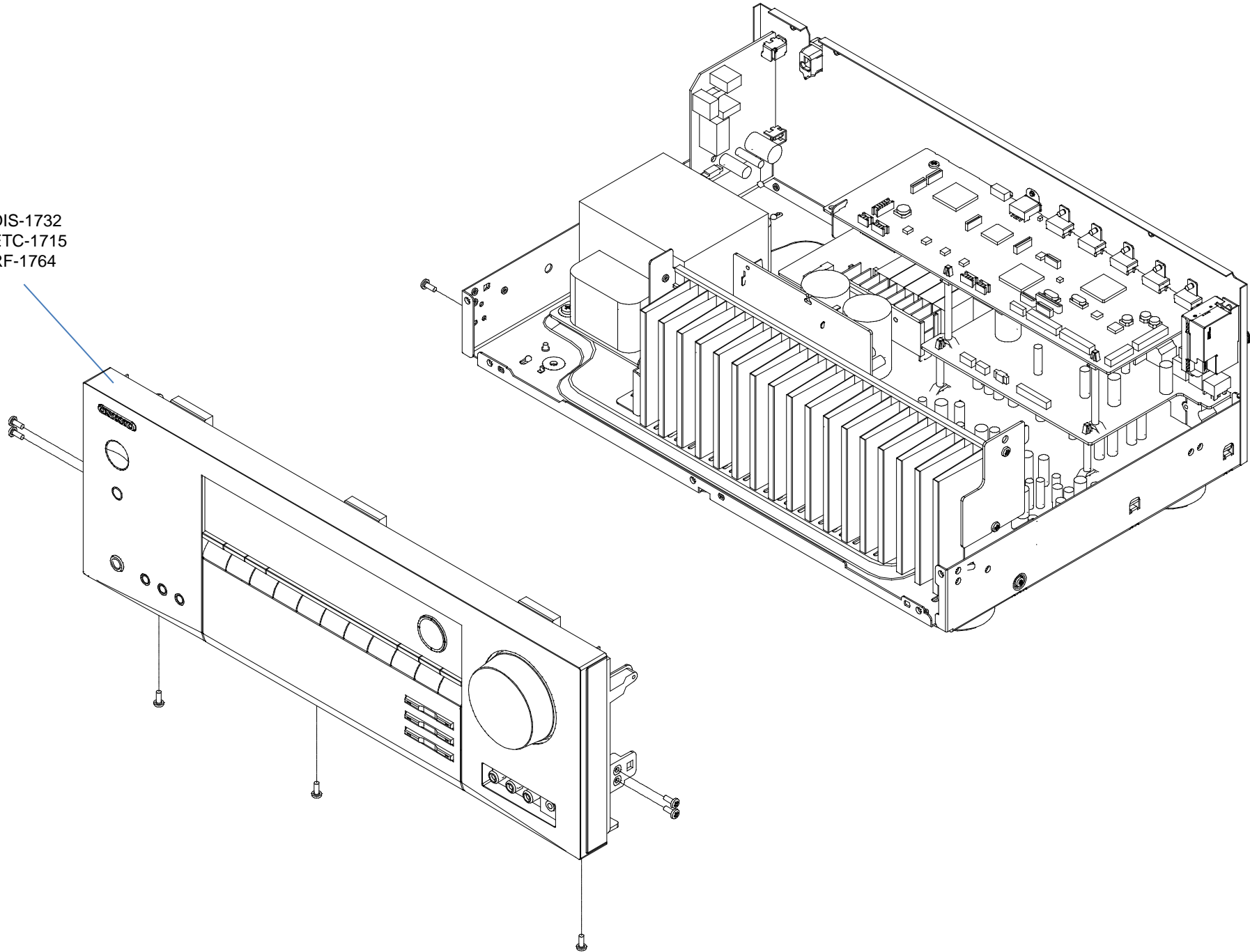
Power Transistor
Q6050 ~ Q6054
Q6060 ~ Q6064

Front Panel Section

This is TX-SR343. TX-SR444 / HT-R494 are same mostly structurally. Please refer to PANEL pages for detailed place by the terminal.

Disassembly

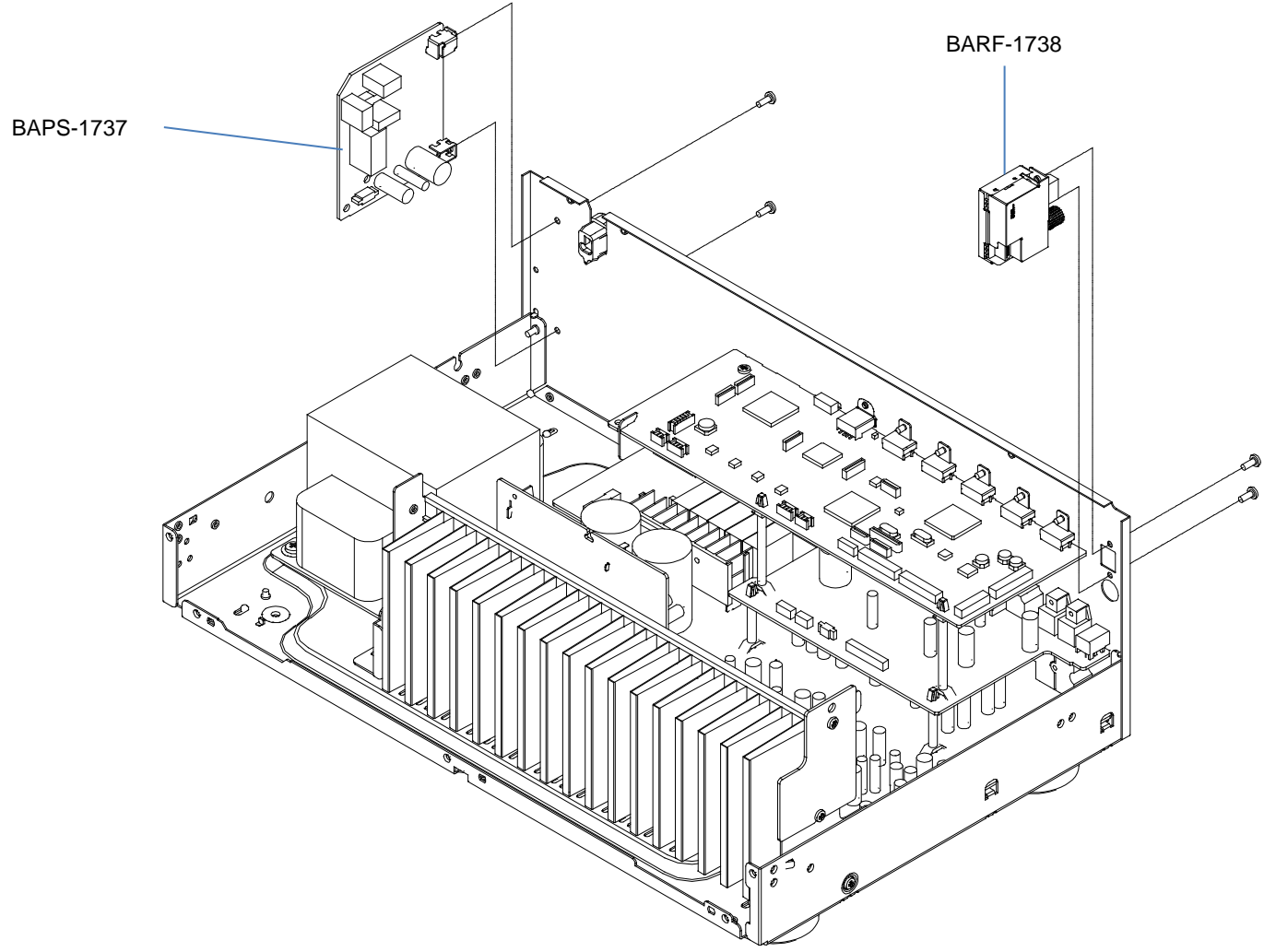
BADIS-1732
BAETC-1715
BARF-1764



Tuner & Power Supply Section

This is TX-SR343. TX-SR444 / HT-R494 are same mostly structurally. Please refer to PANEL pages for detailed place by the terminal.

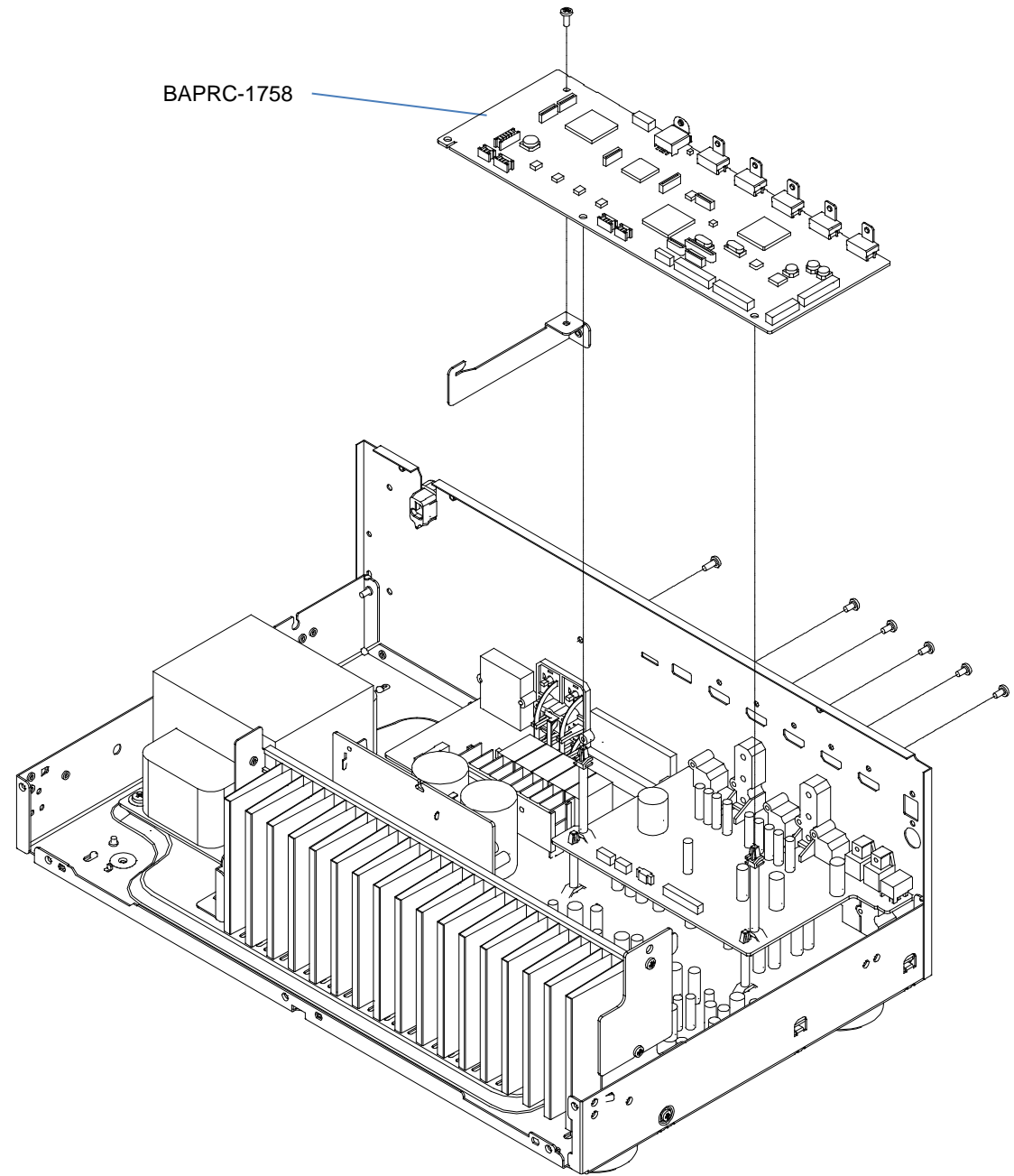
Disassembly



Processor Section

This is TX-SR343. TX-SR444 / HT-R494 are same mostly structurally. Please refer to PANEL pages for detailed place by the terminal.

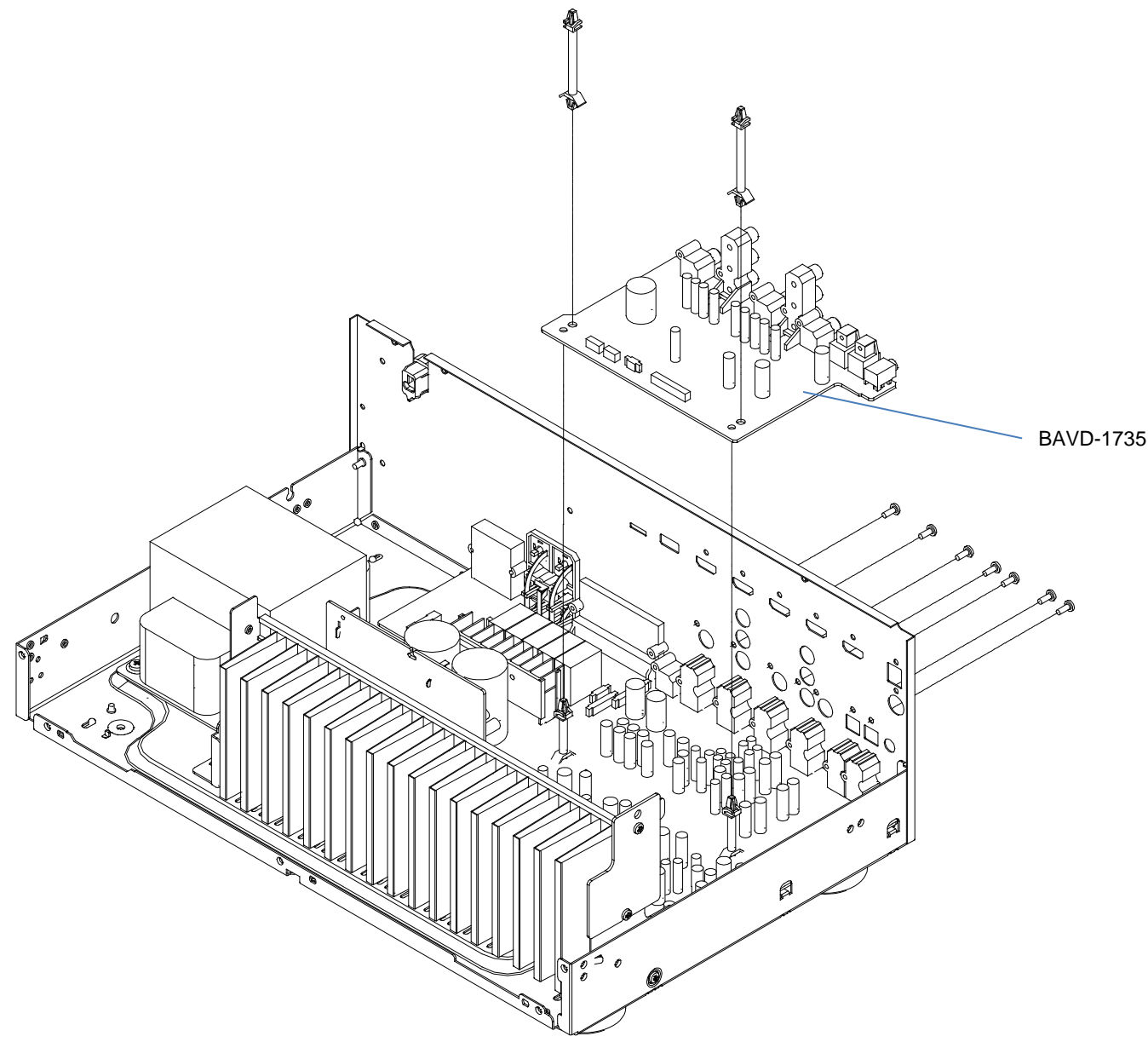
Disassembly



Video Section

This is TX-SR343. TX-SR444 / HT-R494 are same mostly structurally. Please refer to PANEL pages for detailed place by the terminal.

Disassembly

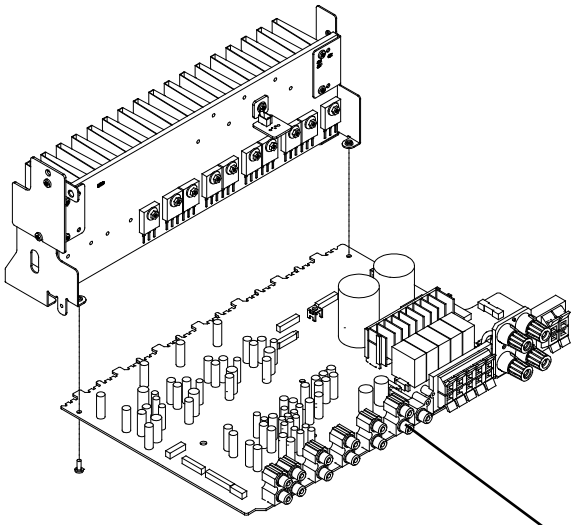
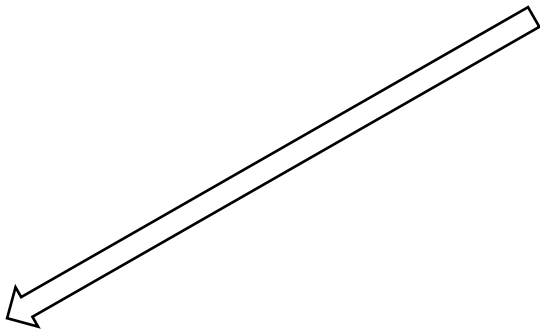
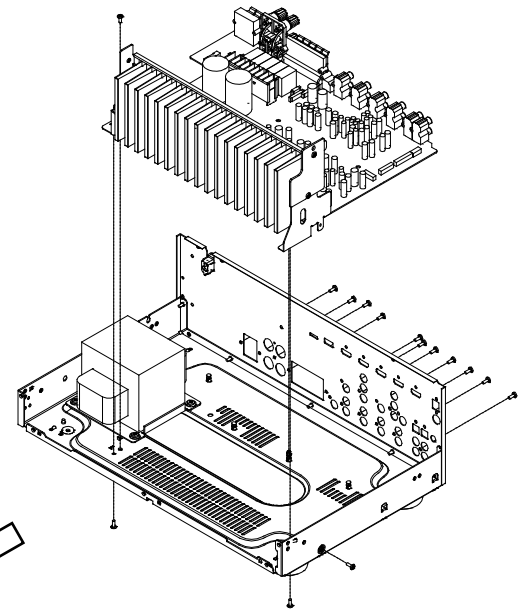
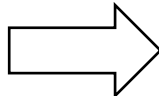
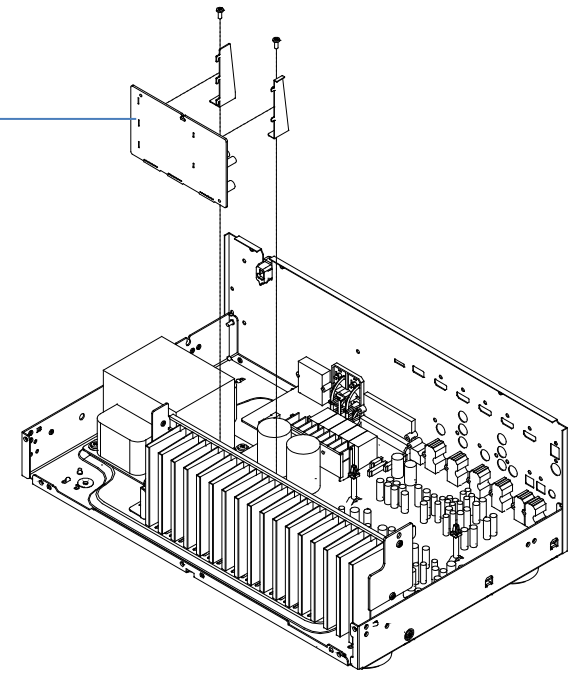


Amplifier Section

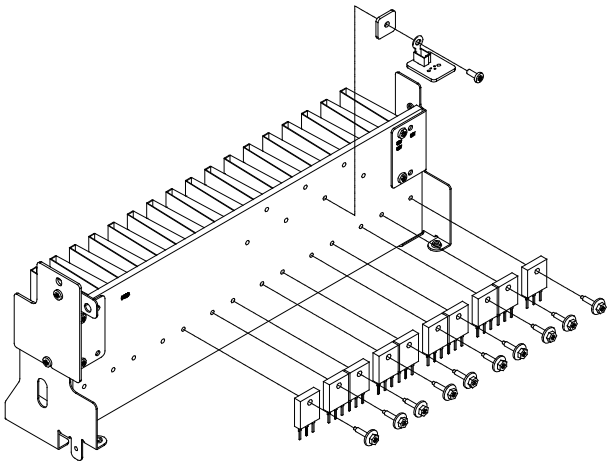
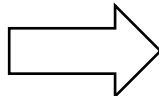
This is TX-SR343. TX-SR444 / HT-R494 are same mostly structurally. Please refer to PANEL pages for detailed place by the terminal.

Disassembly

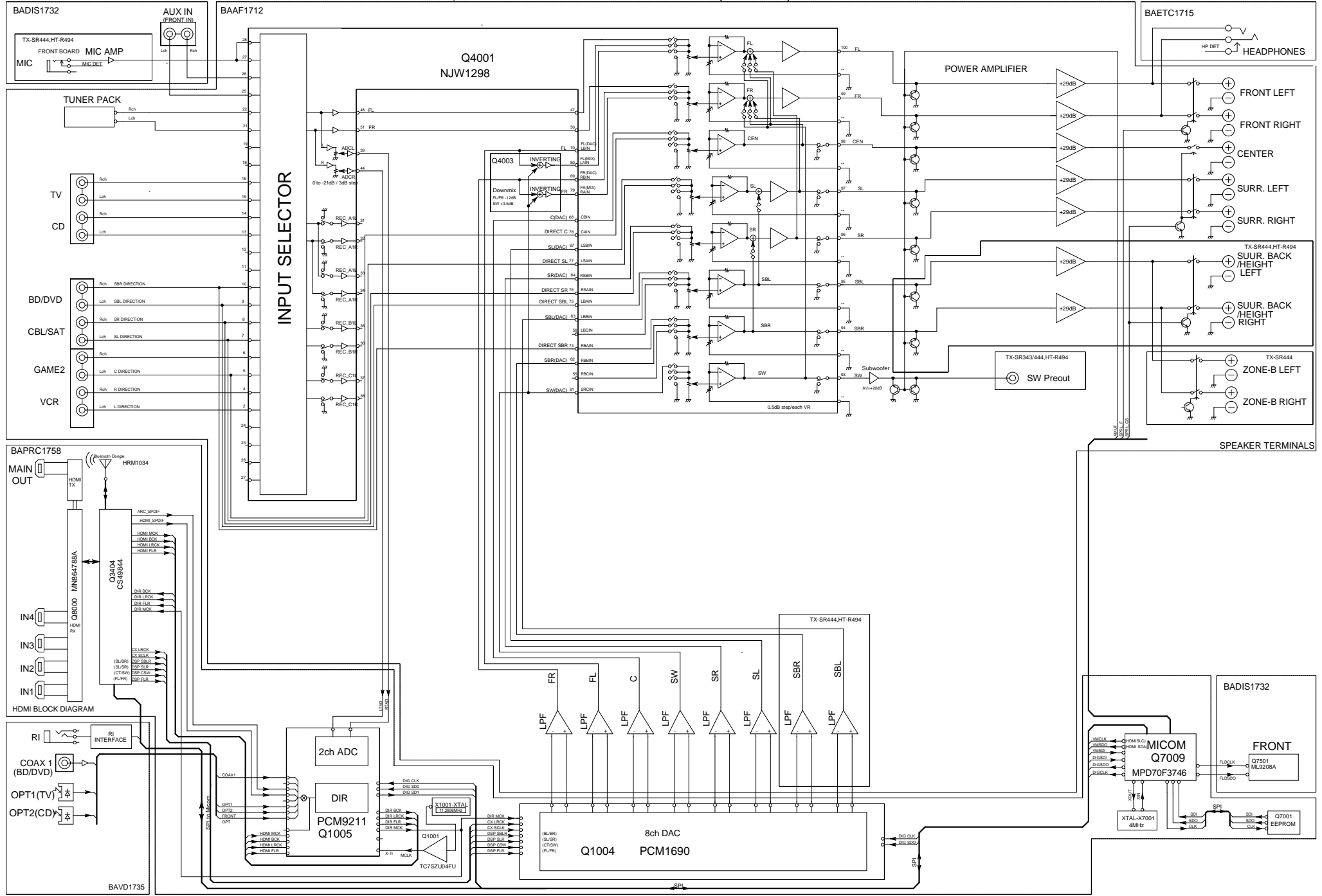
BACLA-1734



BAAF-1712

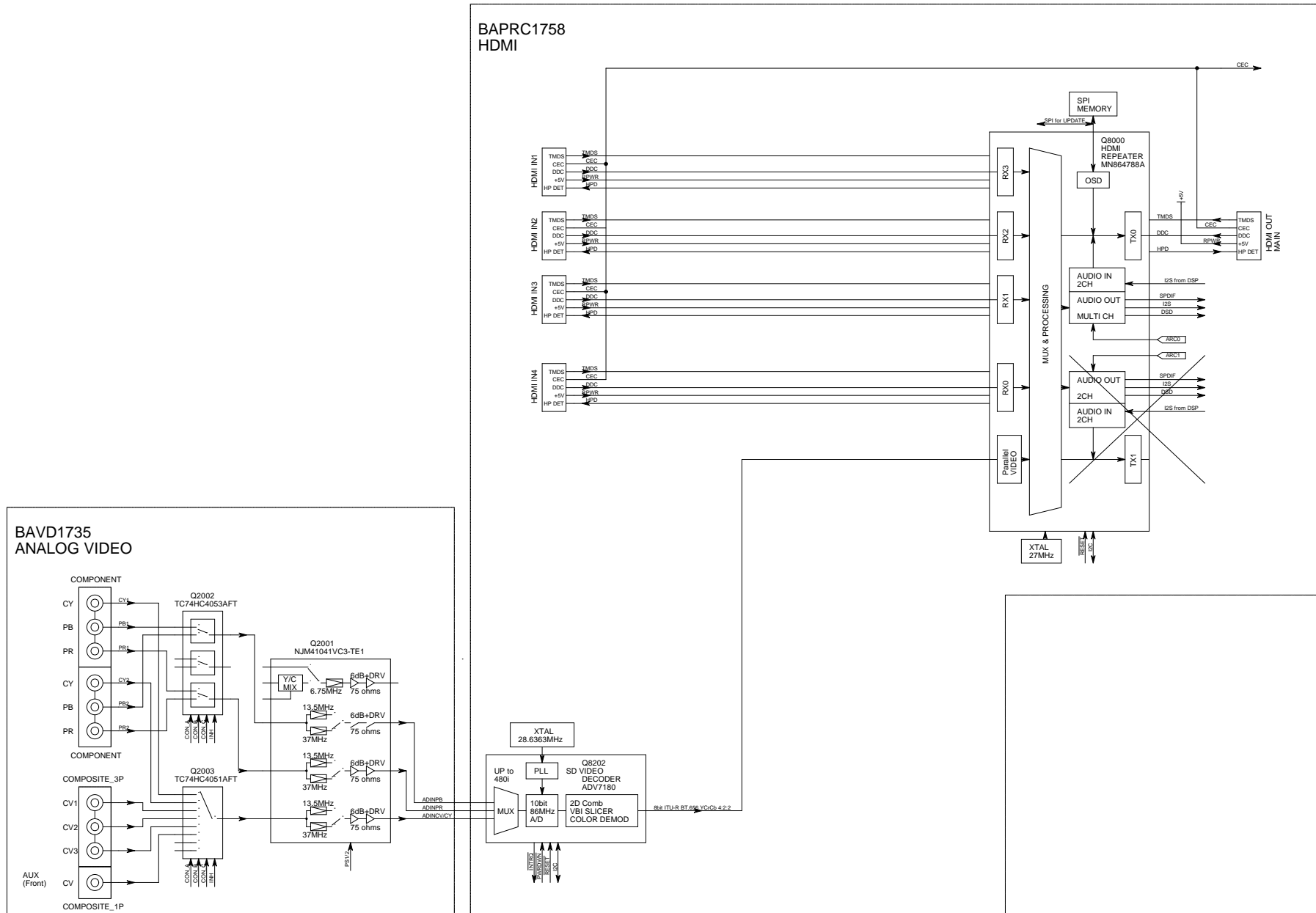


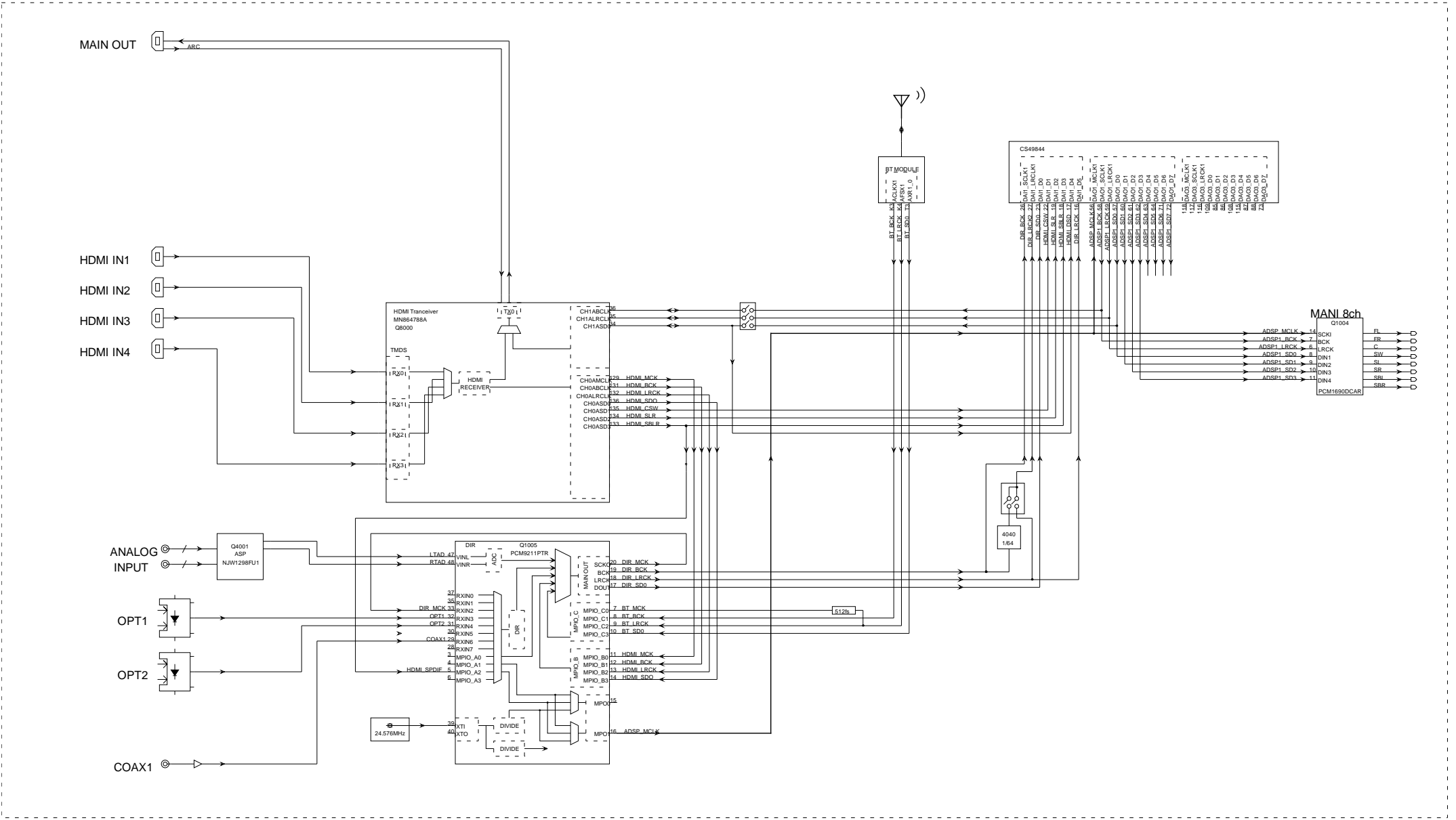
MODEL NO. TX-SR343/444,HT-R494 BLOCK DIAGRAM (PART-1) AUDIO SECTION

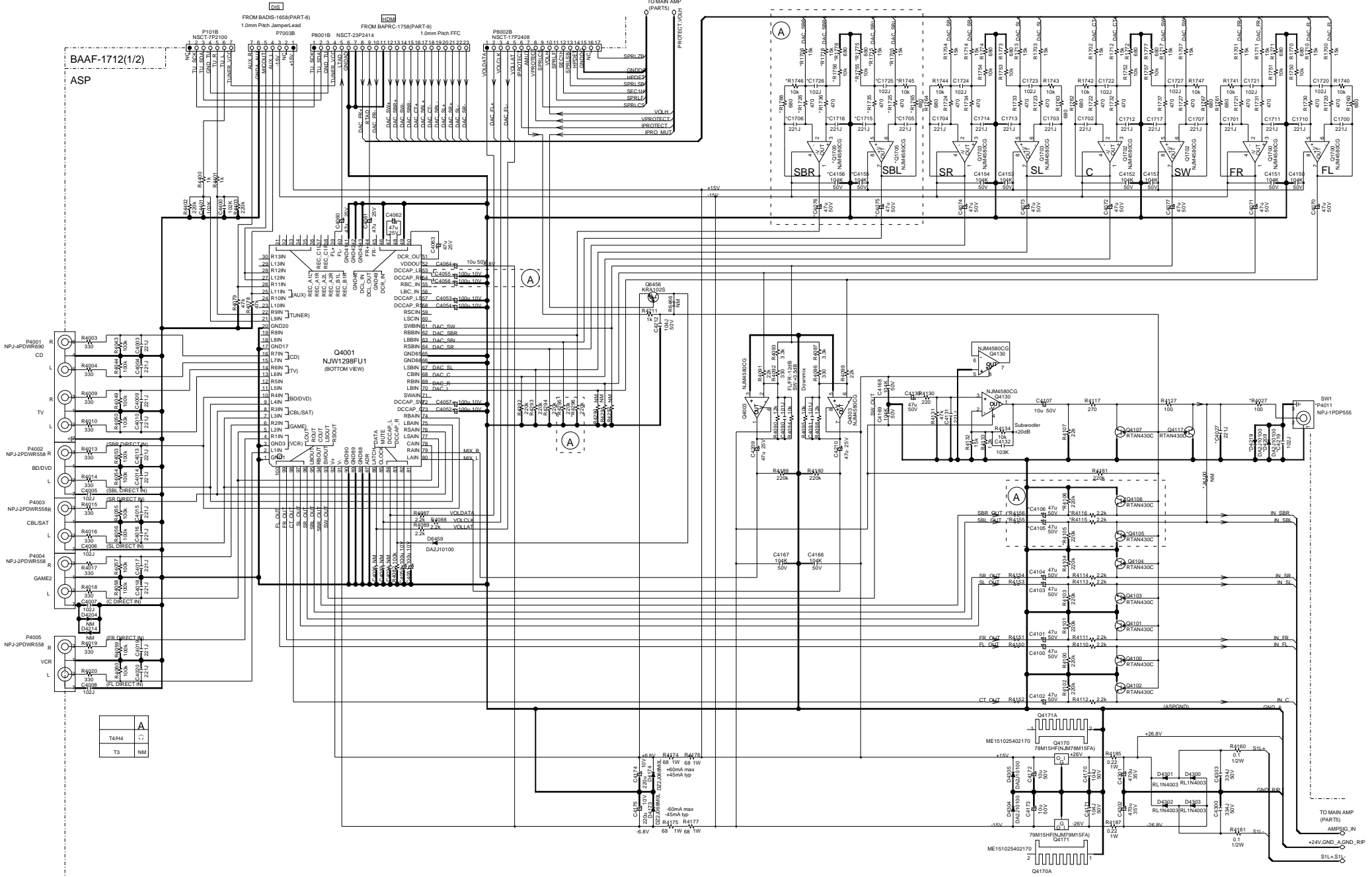


Model No.TX-SR343/444,HT-R494

SCHEMATIC DIAGRAM (PART-2) BLOCK DIAGRAM(VIDEO)







T4H4	A
T3	NM

C4174
2200 100 200V
+6.8V
68 1W 68 1W
+60mA max
+55mA typ

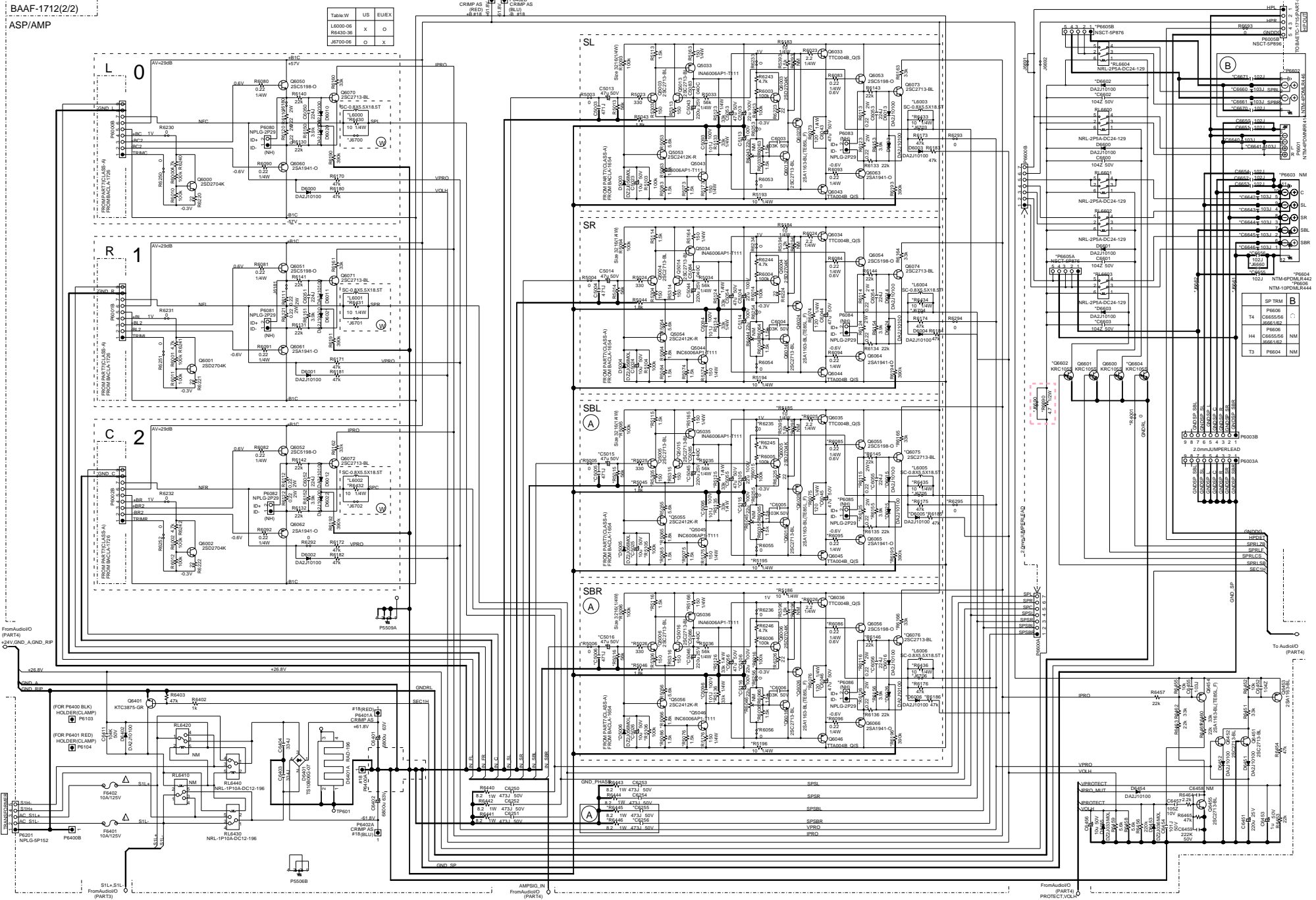
C4175
2200 100 200V
-6.8V
68 1W 68 1W
-60mA max
-45mA typ

D
C
B
A

D
C
B
A

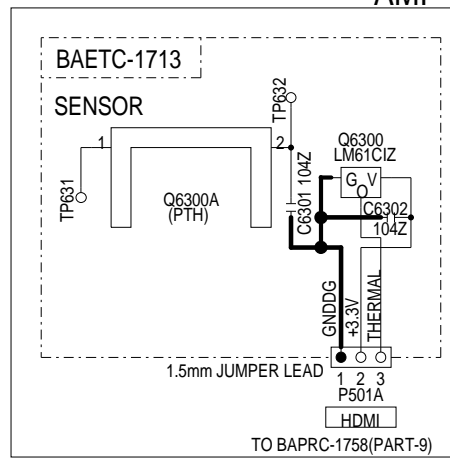
MODEL NO. TX-SR343/444/HT-R494

SCHEMATIC DIAGRAM(PART-4) AMP SECTION



MODEL NO. TX-SR343/444,HT-R494

SCHEMATIC DIAGRAM
AMP SECTION (PART-4)



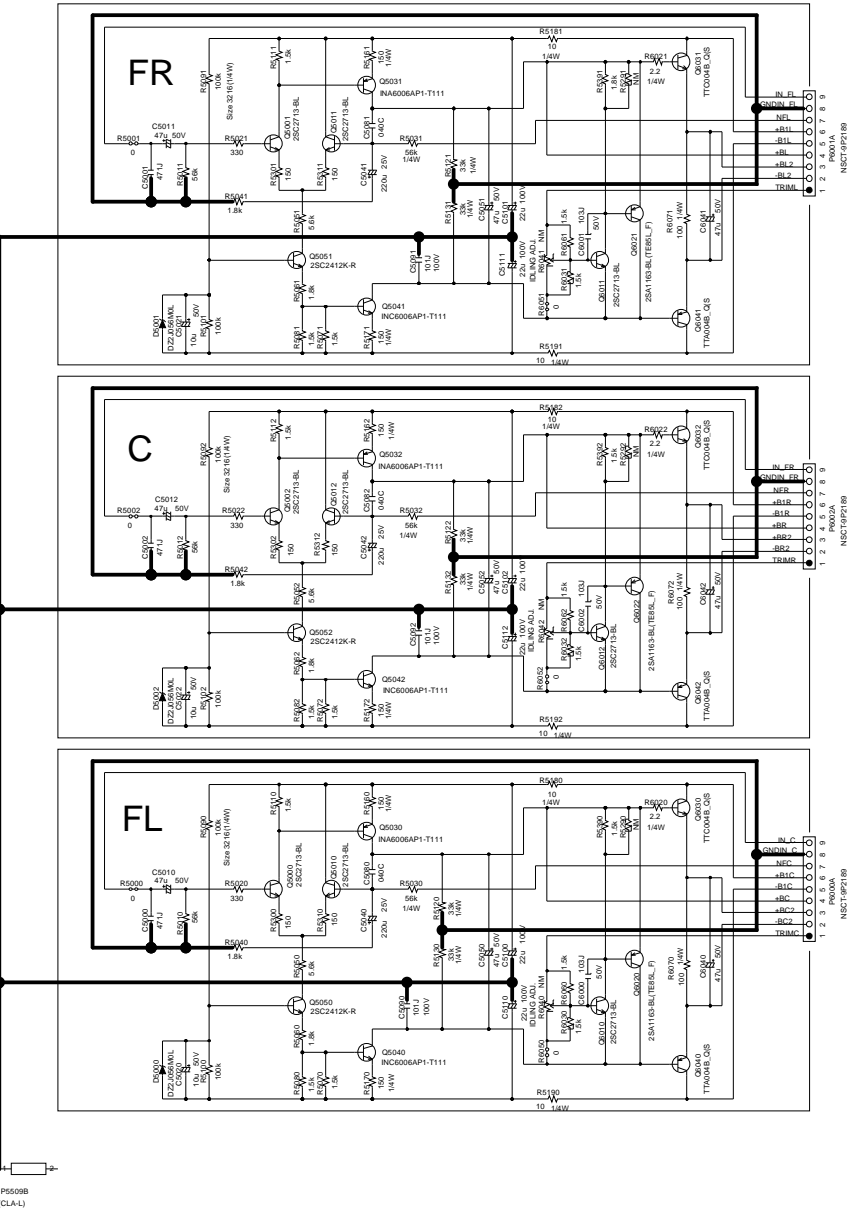
AMP section (Voltage amp.)

MODEL NO. TX-SR343/444,HT-R494 SCHEMATIC DIAGRAM(PART-5)

Schematic Diagram

AMP SECTION

BACLA-1734
CLASS A



1 2 3 4 5 6 7 8 9
NCT9P218
TO BAAF-172(PH-4)

1 2 3 4 5 6 7 8 9
NCT9P218
TO BAAF-172(PH-4)

1 2 3 4 5 6 7 8 9
NCT9P218
TO BAAF-172(PH-4)

Power supply section (Pri.)

MODEL NO. TX-SR343/444 , HT-R494 SCHEMATIC DIAGRAM (PART-6) PS SECTION

Schematic Diagram

THE COMPONENTS IDENTIFIED MARK \triangle ARE CRITICAL FOR SAFETY, REPLACE ONLY WITH PART NUMBER SPECIFIED.
 VOLTAGE (MEASURED WITH VOLTMETER) IS DC VOLTAGE. (NO INPUT SIGNAL)
 ELECTRIC CAPACITORS ($\text{---}\text{||}\text{---}$) ARE IN $\mu\text{F}/\text{WV}$.
 ALL CAPACITORS ARE IN $\text{pF}/50\text{WV}$ UNLESS OTHERWISE NOTED.
 EX) 030 -> 3pF, 330 -> 33pF, 331 -> 330pF, 333 -> 0.033 μF
 CIRCUIT IS SUBJECT TO CHANGE FOR IMPROVEMENT.

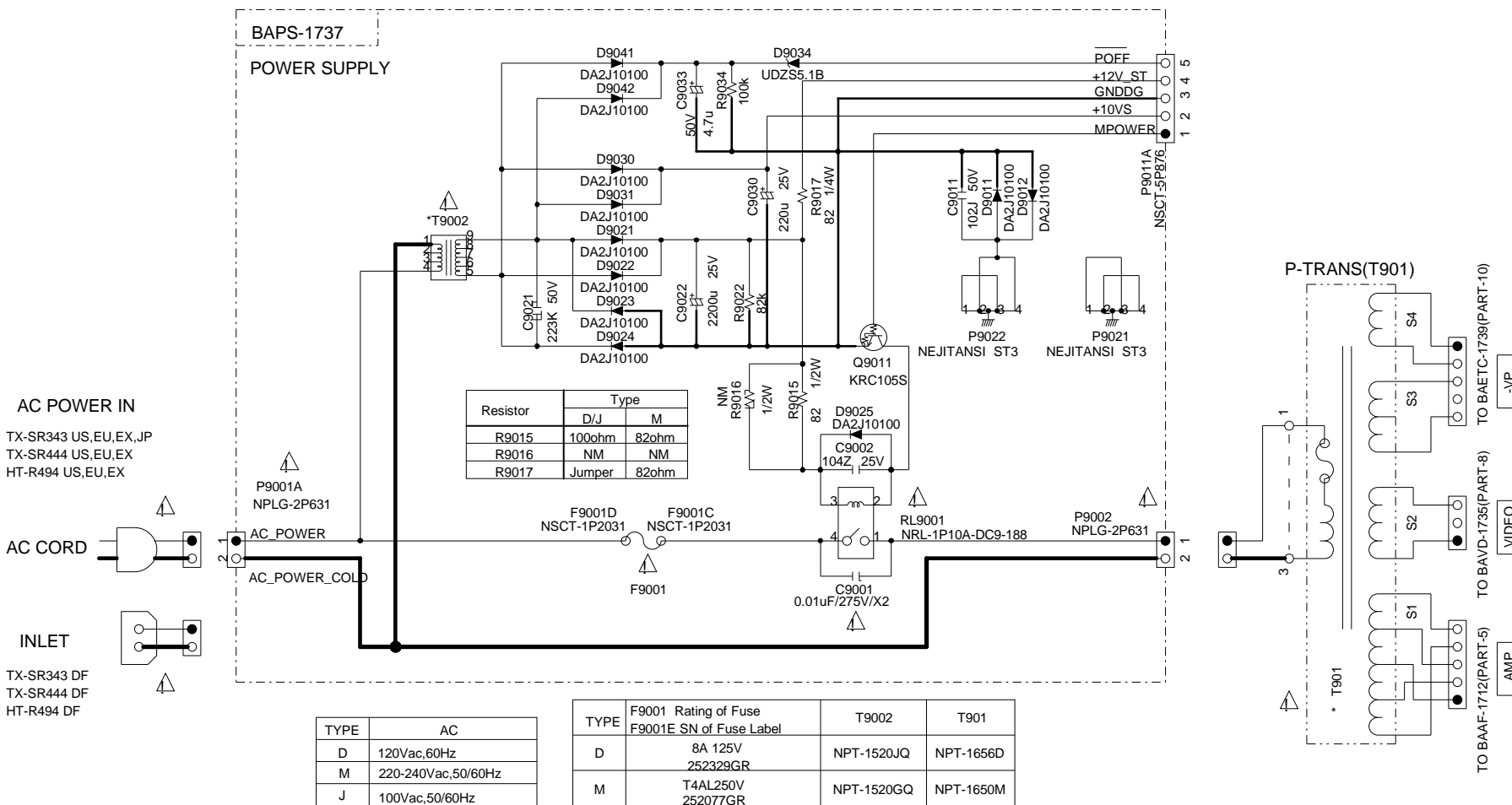
\triangle 印は火災、感電の危険に関与する部品の為、必ず指定部品を使用の事。
 電圧表示は無信号時に測定した直流電圧を示す。
 記入なき電解コンデンサの単位は $\mu\text{F}/\text{WV}$ である。
 記入なきコンデンサの単位は $\text{pF}/50\text{WV}$ である。
 例) 030 -> 3pF, 330 -> 33pF, 331 -> 330pF, 333 -> 0.033 μF
 本配線図は基本配線図につき性能改善等により予告なく変更する事がある。

CAUTION
 FOR CONTINUED PROTECTION AGAINST FIRE HAZARD,
 REPLACE ONLY WITH FUSE OF SAME TYPE AND RATING INDICATED.

CAUTION ATTENTION
 AFIN D'ASSURER UNE PROTECTION PERMANENTE CONTRE LES RISQUES D'INCENDIE,
 REMPLACER UNIQUEMENT PAR UN FUSIBLE DE MEME TYPE ET CALIBRATION COMME INDIQUÉ.

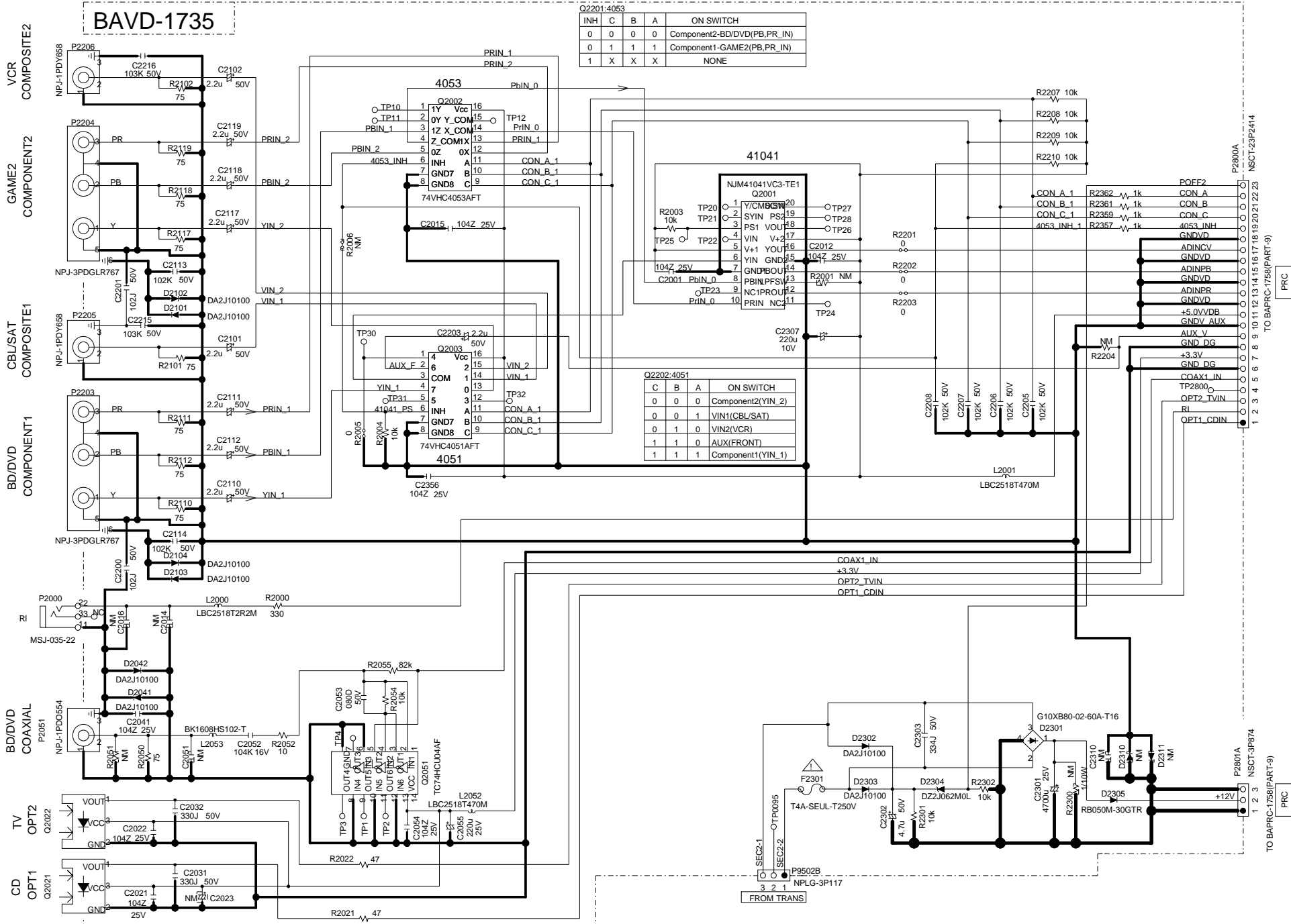
THIS SYMBOL LOCATED NEAR THE FUSE INDICATES THAT THE FUSE USED IS SLOW OPERATING TYPE FOR CONTINUED PROTECTION AGAINST FIRE FUSE HAZARD, REPLACE WITH SAME TYPE FUSE. RATING REFER TO THE MAKING ADJACENT TO THE SYMBOL.

CE SYMBOLE INDIQUE QUE LE FUSIBLE UTILISE EST A LENT, E POUR UNE PROTECTION PERMANENT CONTRE LES RISQUES D'INCENDIE. UTILISER QUE DES FUSIBLES DE MEME TYPE. CE DERNIER EST INDIQUE LA QU LE PRESENT SYMBOLE EST APPOSE.



MODEL No. TX-SR343/444 , HT-R494

SCHEMATIC DIAGRAM(Part-7) VIDEO SECTION

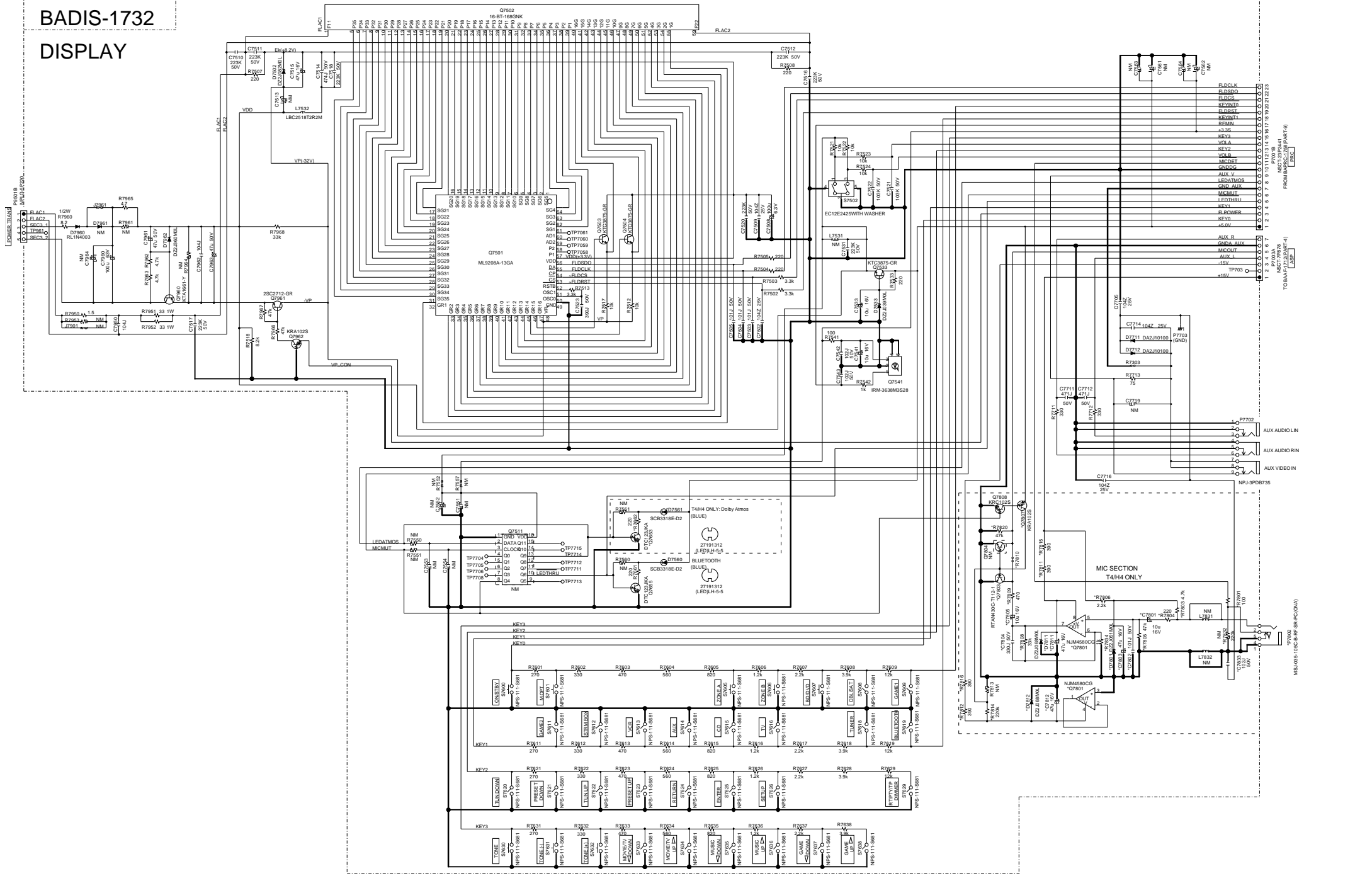


TO BAPRC-1758(PART-9)

TO BAPRC-1758(PART-9)

MODEL NO.TX-SR343/ TX-SR444 / HT-R494 SCHEMATIC DIAGRAM (PART-8) DISPLAY SECTION

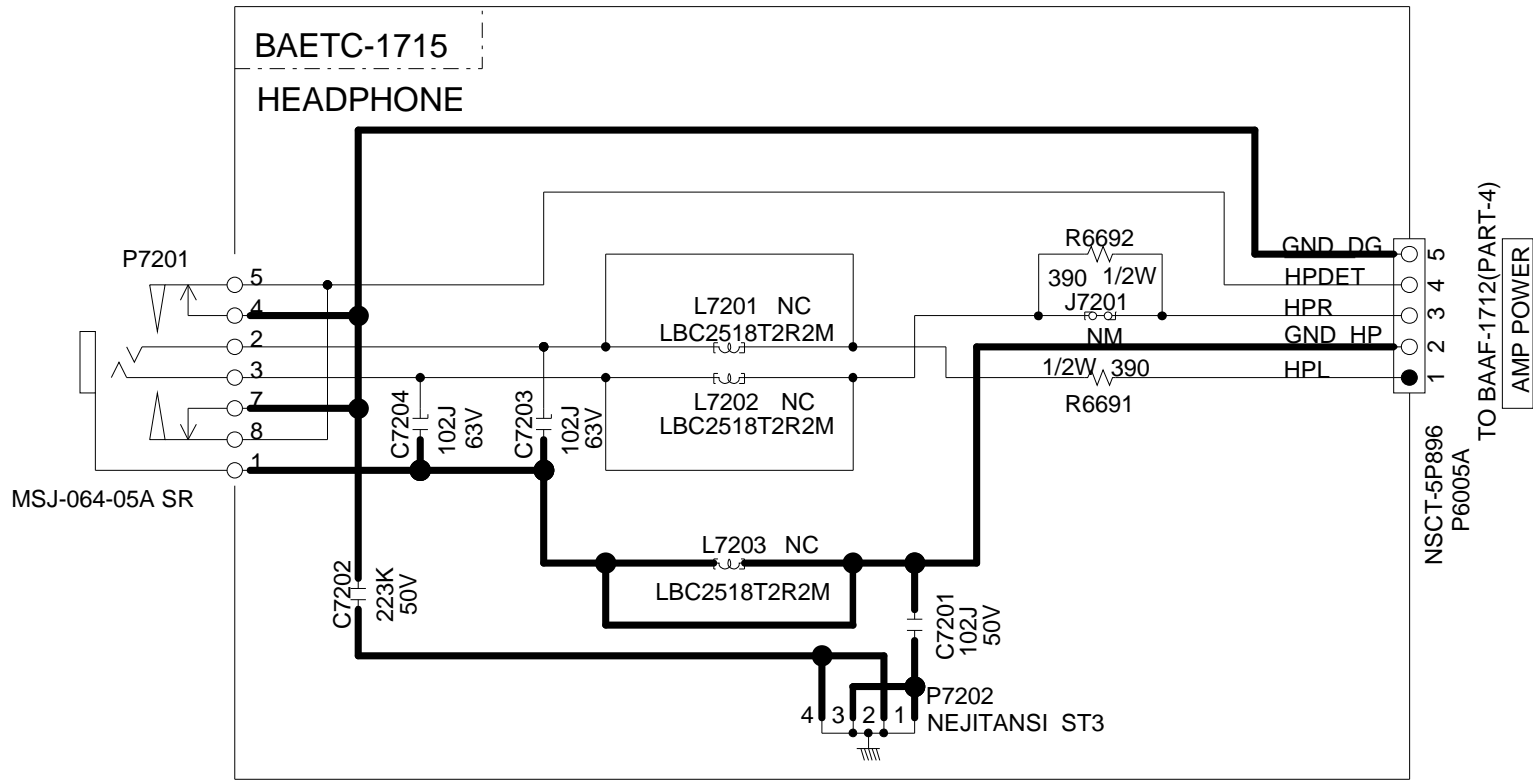
BADIS-1732
DISPLAY



D
C
B
A

D
C
B
A

MODEL NO.TX-SR343/444 , HT-R494 SCHEMATIC DIAGRAM (PART-8) HEADPHONE SECTIC



MODEL NO.TX-SR343/444,HT-R494

SCHEMATIC DIAGRAM (PART9 : 1/5 P.12) MPU SECTION

BAPRC-1758 (1/5)

FW MAIN_J-TAG
P7052A

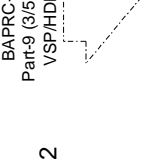
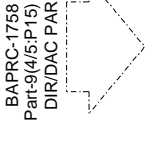
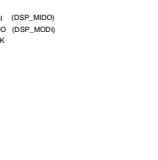
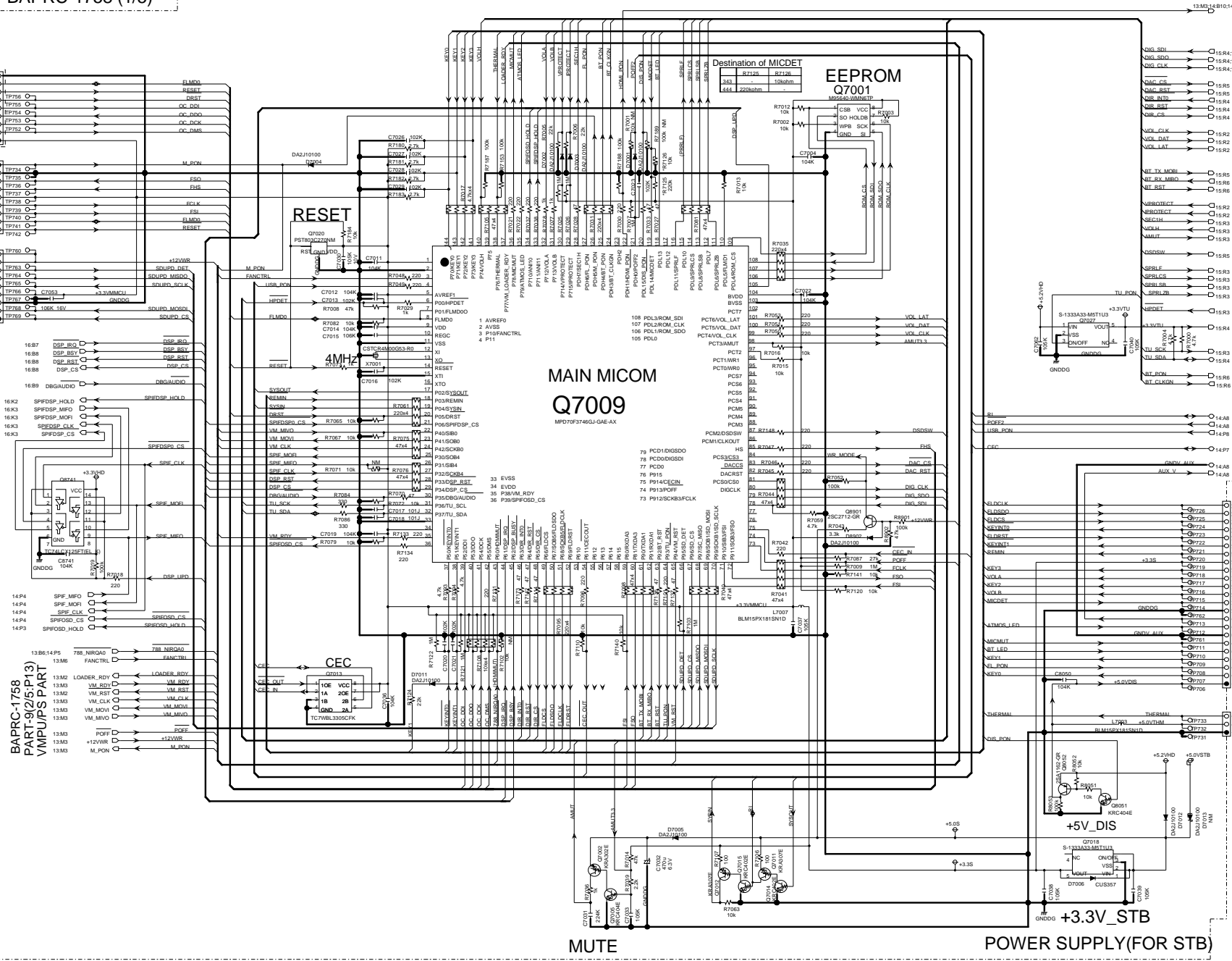
FW MAIN_UPG
P7051A

MultimediaCard for UPG
P7053

BAPRC-1758
PART-9(5/5:P16)
DSP.PART.

BAPRC-1758
PART-9(5/5:P14)
VSP/HDMI PART

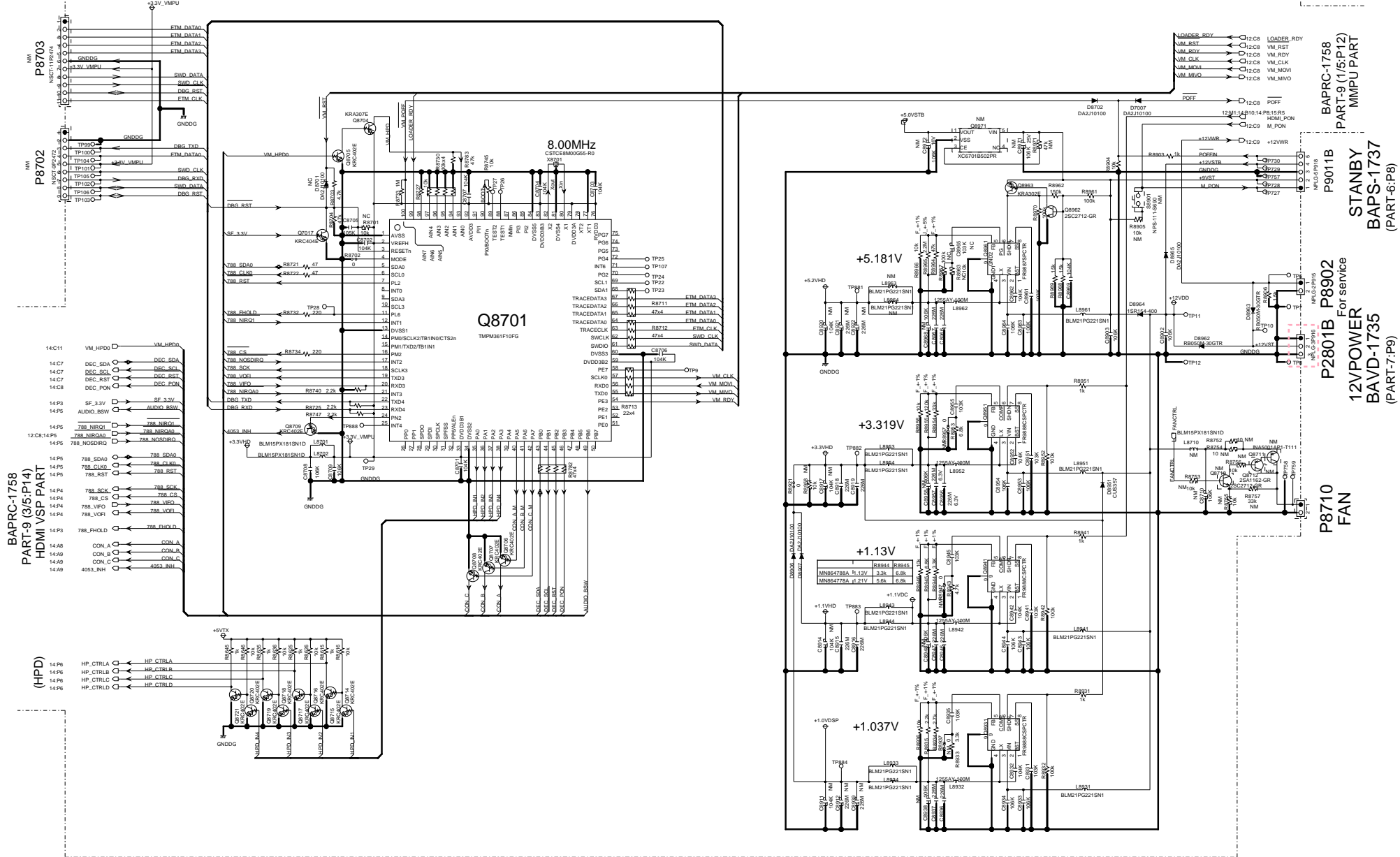
BAPRC-1758
PART-9(2/5:P13)
VMP/UPS PART



MODEL NO.TX-SR343/444,HT-R494

SCHEMATIC DIAGRAM (PART-9 : 2/5 P.13) VMPU/POWER SUPPLY SECTION

BAPRC-1758 (2/5)



BAPRC-1758
PART-9 (3/5-P14)
HDMI VSP PART

(HPD)

BAPRC-1758
PART-9 (1/5-P12)
MMPU PART

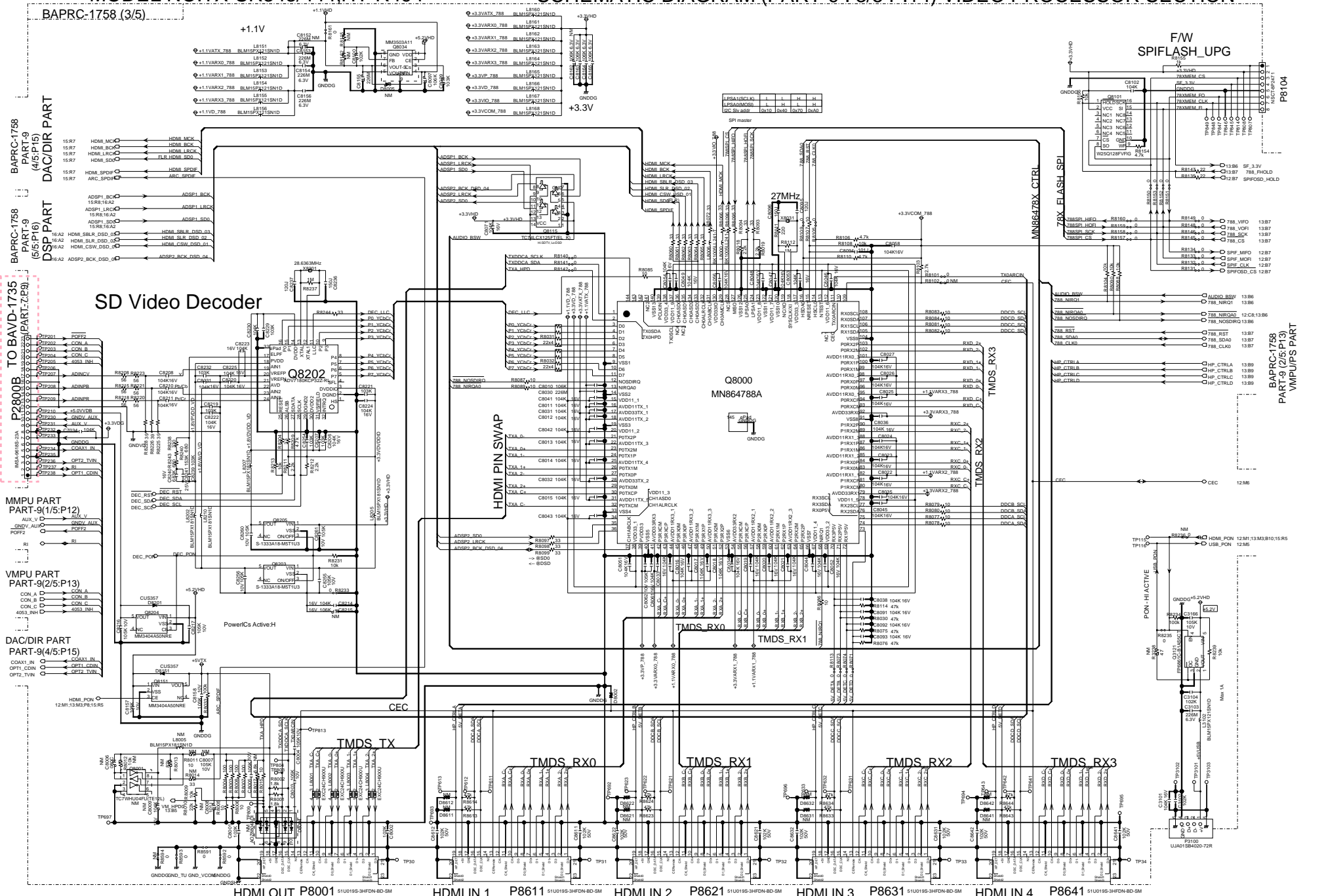
P9011B
STANBY
BAPS-1737
(PART-6:P8)

P2801B P8902
For service
12VPOWER
BAVD-1735
(PART-7:P9)

P8710
FAN

MODEL NO.TX-SR343/444.HT-R494

SCHEMATIC DIAGRAM (PART-9 : 3/5 P.14) VIDEO PROCESSOR SECTION

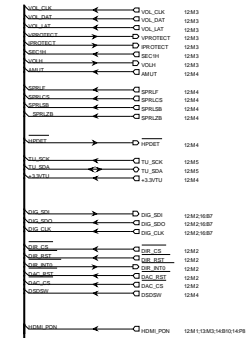
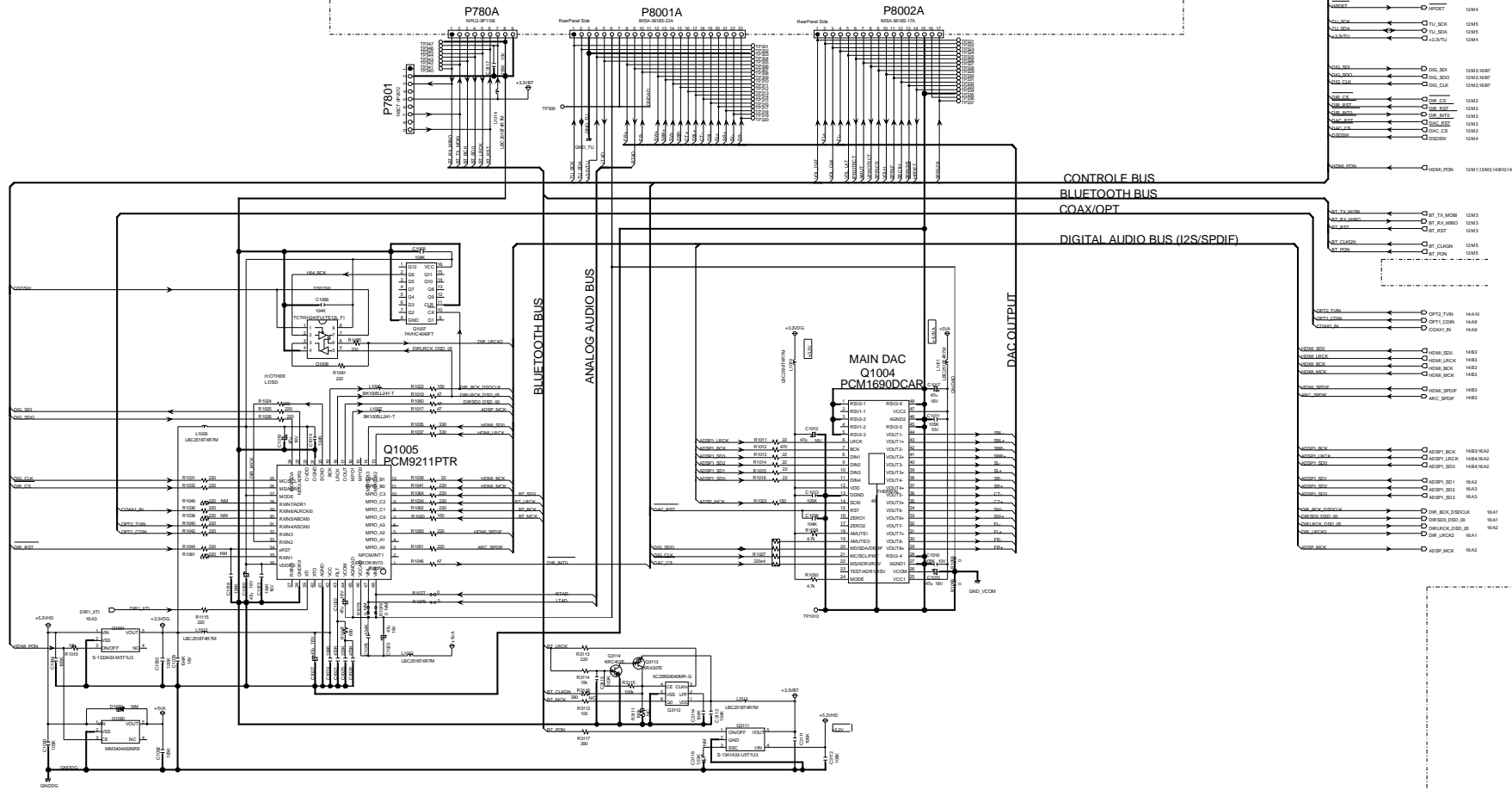


HDMI OUT P8001	51U0195-3HFDN-BD-SM	HDMI IN 1 P8611	51U0195-3HFDN-BD-SM	HDMI IN 2 P8621	51U0195-3HFDN-BD-SM	HDMI IN 3 P8631	51U0195-3HFDN-BD-SM	HDMI IN 4 P8641	51U0195-3HFDN-BD-SM
----------------	---------------------	-----------------	---------------------	-----------------	---------------------	-----------------	---------------------	-----------------	---------------------

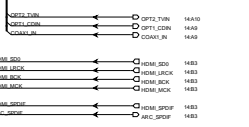
BAPRC-1758 (4/5)

TO BLUETOOTH MODULE
BARF-1764
(PART-11:P18)

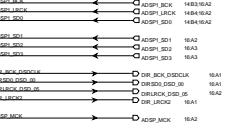
TO AMPLIFIRE SECTION
BAAF-1712
(PART-4:P4)



BAPRC-1758
PART-9 (1/5:P12)
MMPJ PART



BAPRC-1758
PART-9 (3/5:P14)
VSP/HDMI PART



BAPRC-1758
PART-9 (5/5:P16)
DSP PART

BAPRC-1758 (5/5)

DIR PART

- DIR_BCK_DSDCLK
- DIR_LRCK2
- DIRSD0_DSD_00
- HDMI_CSW_DSD_01
- HDMI_SLR_DSD_02
- HDMI_SBLR_DSD_03
- ADSP2_BCK_DSD_04
- DIRLRCK_DSD_05

DAC PART

- ADSP_MCK
- ADSP1_SD0
- ADSP1_BCK
- ADSP1_LRCK
- ADSP1_SD1
- ADSP1_SD2
- ADSP1_SD3

BAPRC-1758 PART-9 (4/5:P15) DIR/DAC PART

- DIR1_XT1

- VDD_DSP_3.3V
- DBG/AUDIO
- HS0/S0D0
- HS1/S0D1
- HS2/S0D2
- HS3/S0D3
- DSP_DBDA
- DSP_DBCK
- DSP_RST_DBG
- DSP_RST
- DSP_BSY
- DSP_IRV
- DSP_CS
- SPEC1_CLK
- SPEC1_MDO
- SPEC1_MID0
- GNDDG

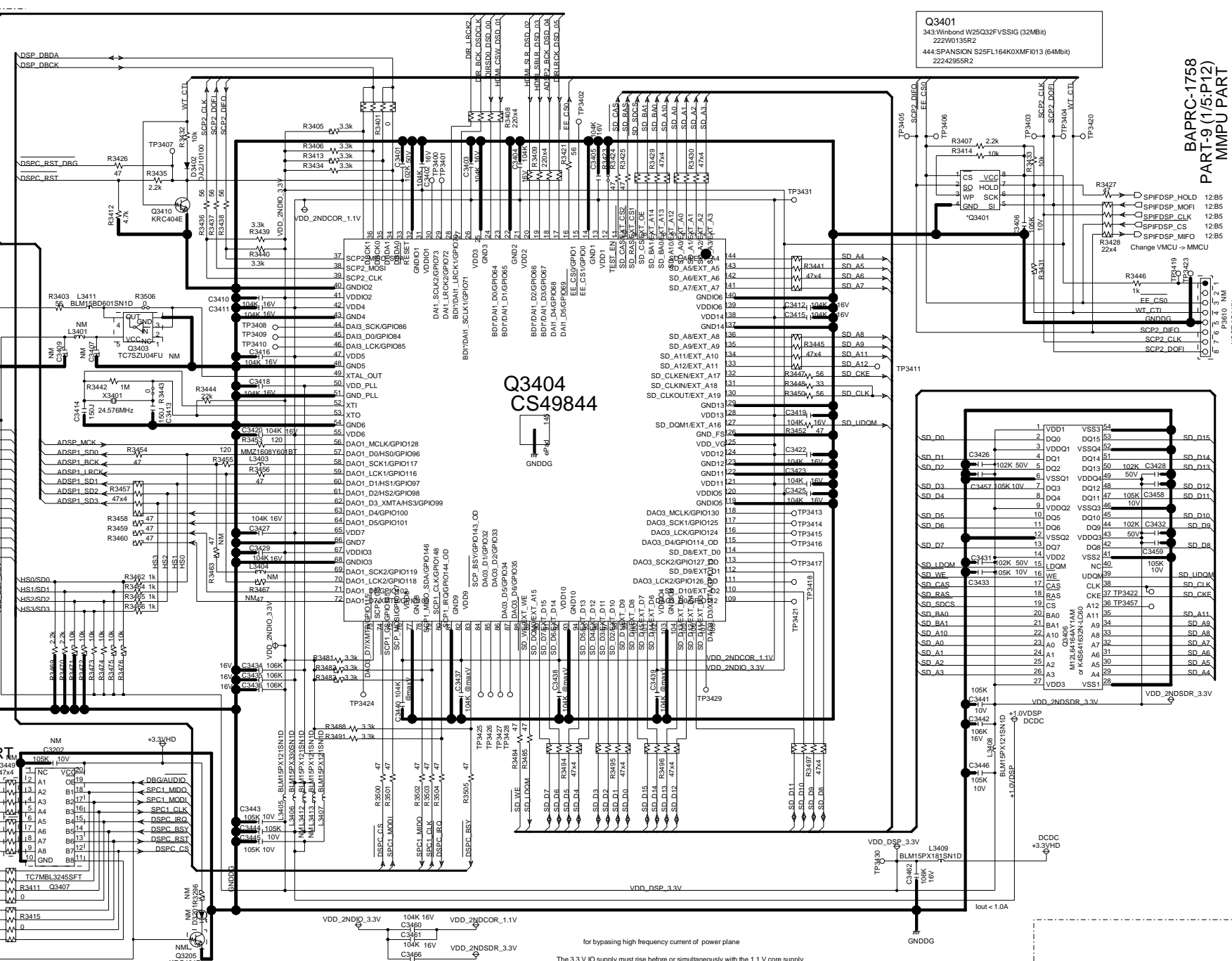
For Debug

While debugging mode in SPI bus should be separate from other devices.

DSP CONTROL PART

- DIG_SD1
- DIG_SDO
- DIG_CLK
- DSP_IRQ
- DSP_BSY
- DSP_RST
- DSP_CS
- DBG/AUDIO
- SPEC1_MDO
- SPEC1_CLK
- DSP_IRV
- DSP_CS

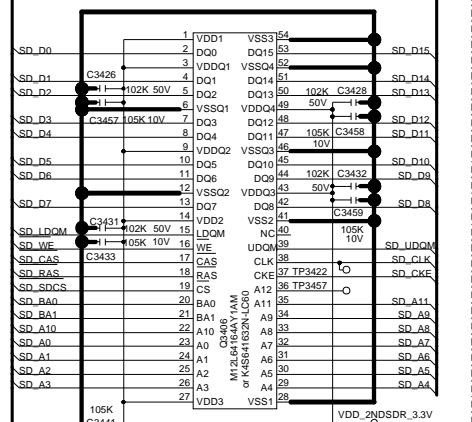
- BAPRC-1758 PART-9 (1/5:P12) MMPU PART
- DIR_BCK_DSDCLK
- DIR_LRCK2
- DIRSD0_DSD_00
- HDMI_CSW_DSD_01
- HDMI_SLR_DSD_02
- HDMI_SBLR_DSD_03
- ADSP2_BCK_DSD_04
- DIRLRCK_DSD_05



Q3401
 343: Winbond W25Q32FVSSIG (32MBit)
 222: W0135R2
 444: SPANSION S25FL164K0XMF013 (64Mbit)
 224: 242955R2

Q3404
CS49844

BAPRC-1758
 PART-9 (1/5:P12)
 MPPU PART



The 3.3 V I/O supply must rise before or simultaneously with the 1.1 V core supply.

MODEL NO. TX-SR343/444,HT-R494

SCHEMATIC DIAGRAM (PART-10) TUNER SECTION

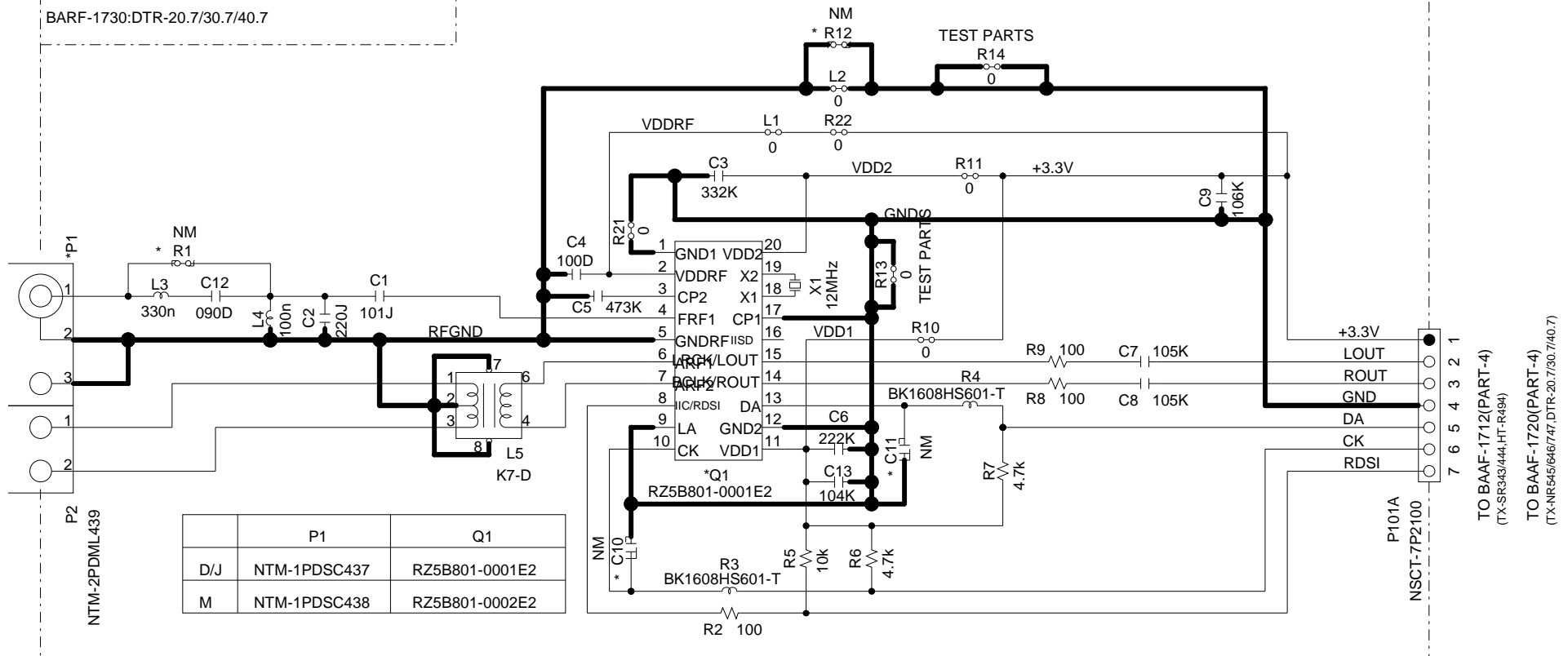
MODEL NO. TX-NR545/646/747,DTR-20.7/30.7/40.7

SCHEMATIC DIAGRAM (PART-11) TUNER SECTION

BARF-1738:TX-SR343/444,HT-R494

BARF-1731:TX-NR545/646/747

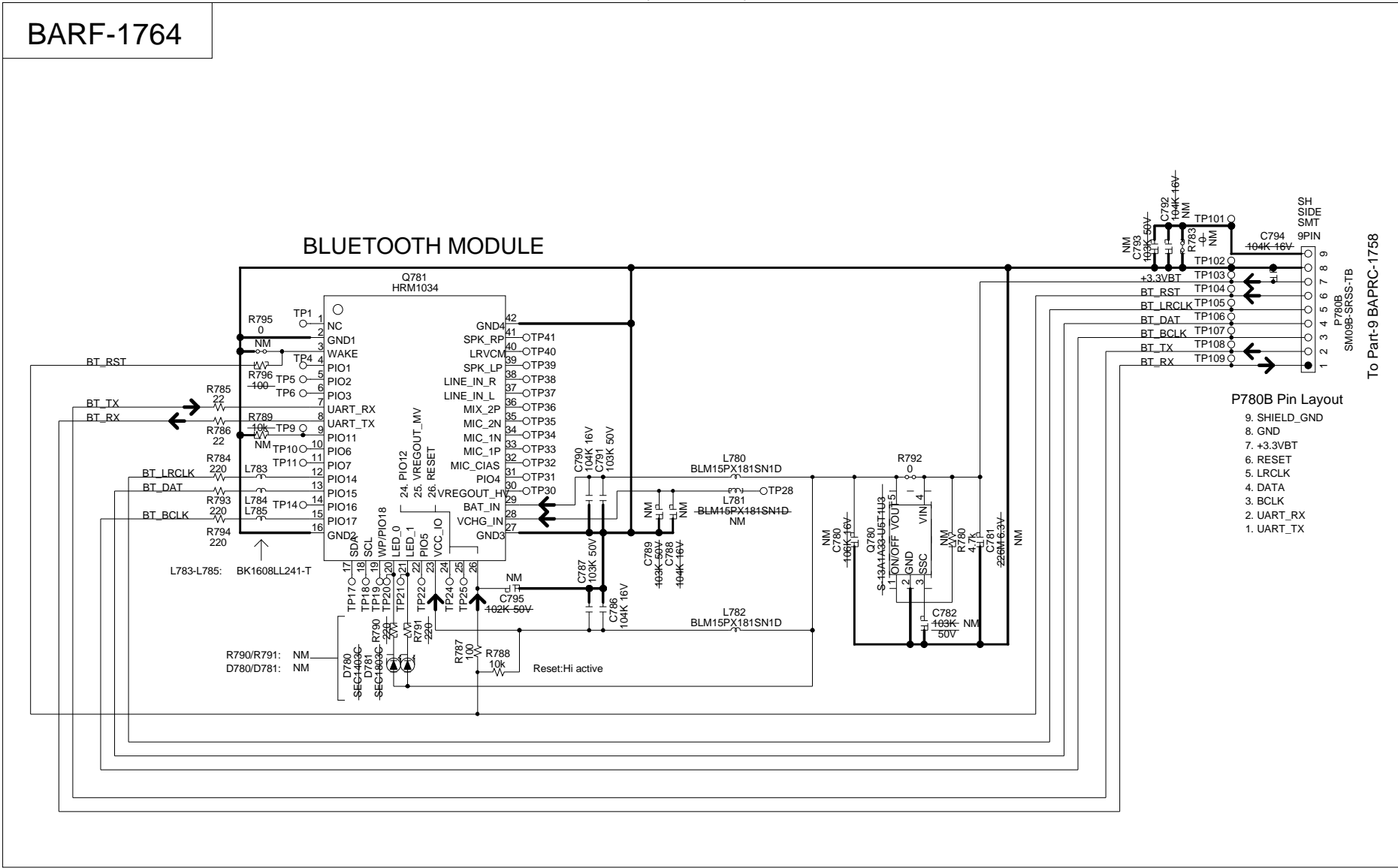
BARF-1730:DTR-20.7/30.7/40.7



TO BAAF-1712(PART-4)
(TX-SR343/444,HT-R494)

TO BAAF-1720(PART-4)
(TX-NR545/646/747,DTR-20.7/30.7/40.7)

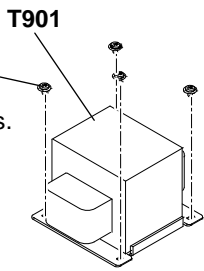
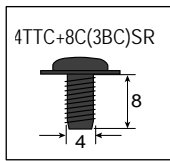
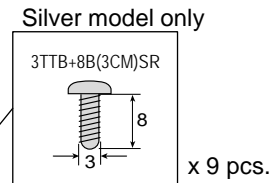
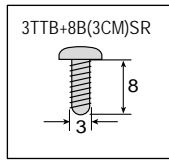
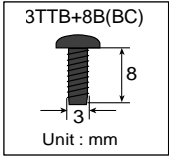
MODEL NO. TX-SR343/444,HT-R494 SCHEMATIC DIAGRAM (PART-14) Bluetooth module Connector Section



Overview

Exploded View

<NOTE>
No description screw is 3TTB +8B(BC).



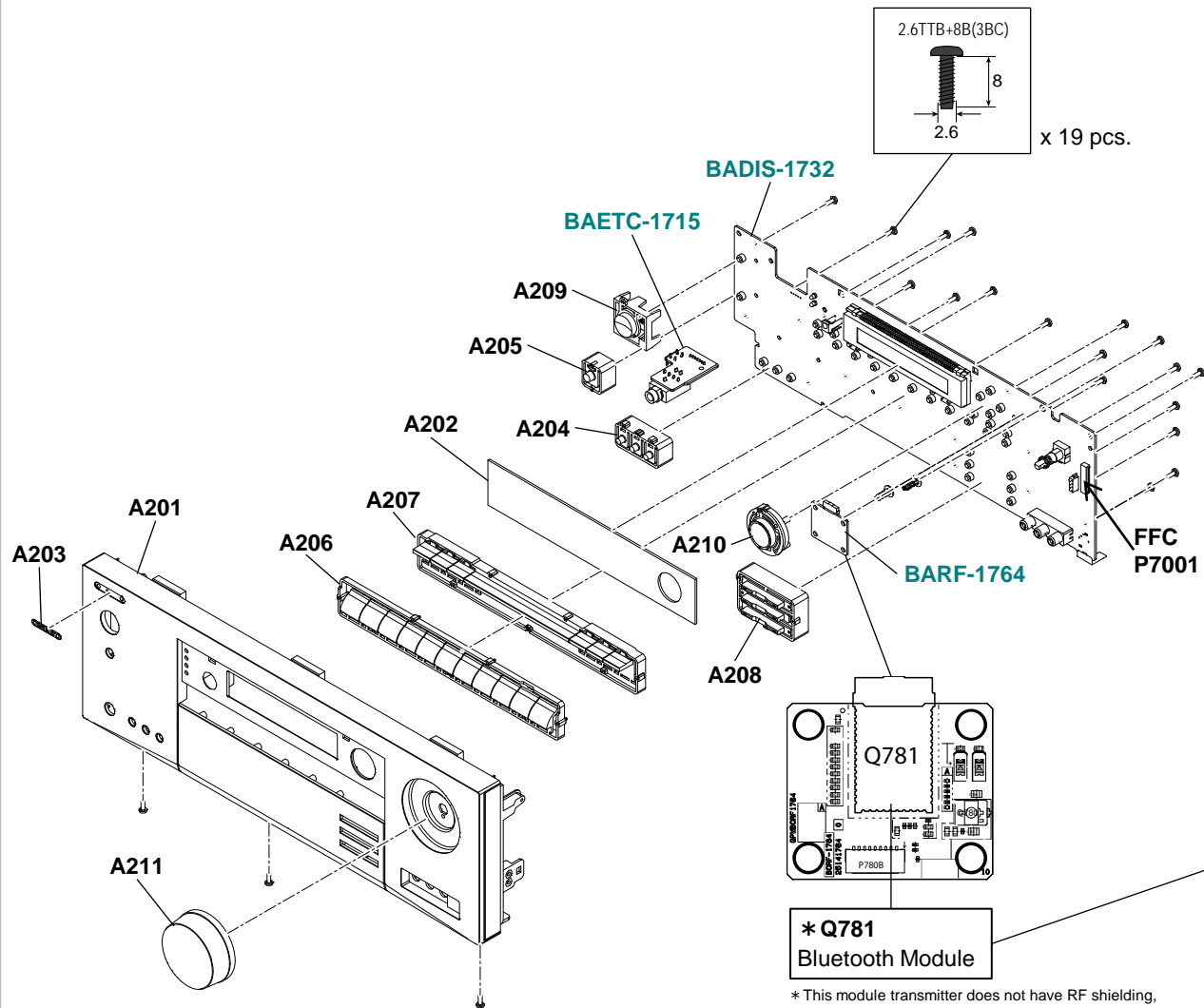
Refer to "heat sink section"

Refer to "rear section"

Refer to "front section"

A002 x 4 pcs.

A003 x 4 pcs.



*** Q781
Bluetooth Module**

* This module transmitter does not have RF shielding, therefore it will be equipped only the tested Audio system mentioning this document. Additional test will be required if it will be equipped to the other devices

*** WiFi & Bluetooth Module has already been certificated by FCC and IC.**

Information to the user.
Indicate "Contains FCC ID: VIYHRM1034", "Contains IC: 7305A- HRM1034" and following information to the host device installed.

This device complies with part 15 of the FCC Rules. Operation is subject to the following two conditions: (1) This device may not cause harmful interference, and (2) this device must accept any interference received, including interference that may cause undesired operation.

Describe the following sentence to a user's manual of the host device.

[For FCC]
FCC CAUTION
Changes or modifications not expressly approved by the party responsible for compliance could void the user's authority to operate the equipment.

Note: This equipment has been tested and found to comply with the limits for a Class B digital device, pursuant to part 15 of the FCC Rules. These limits are designed to provide reasonable protection against harmful interference in a residential installation. This equipment generates, uses and can radiate radio frequency energy and, if not installed and used in accordance with the instructions, may cause harmful interference to radio communications. However, there is no guarantee that interference will not occur in a particular installation. If this equipment does cause harmful interference to radio or television reception, which can be determined by turning the equipment off and on, the user is encouraged to try to correct the interference by one or more of the following measures:

- Reorient or relocate the receiving antenna.
- Increase the separation between the equipment and receiver.
- Connect the equipment into an outlet on a circuit different from that to which the receiver is connected.
- Consult the dealer or an experienced radio/TV technician for help.

This transmitter must not be co-located or operated in conjunction with any other antenna or transmitter.

This equipment complies with FCC radiation exposure limits set forth for an uncontrolled environment and meets the FCC radio frequency (RF) Exposure Guidelines in Supplement C to OET65. This equipment has very low levels of RF energy that it deemed to comply without maximum permissive exposure evaluation (MPE). But it is desirable that it should be installed and operated keeping the radiator at least 20cm or more away from person's body (excluding extremities: hands, wrists, feet and ankles).

[For IC]
CAN ICES-3 B/NMB-3 B

This device complies with Industry Canada licence-exempt RSS standard(s). Operation is subject to the following two conditions: (1) this device may not cause interference, and (2) this device must accept any interference, including interference that may cause undesired operation of the device.

Le présent appareil est conforme aux CNR d'Industrie Canada applicables aux appareils radio exempts d'licence. L'exploitation est autorisée aux deux conditions suivantes : (1) l'appareil ne doit pas produire de brouillage, et (2) l'utilisateur de l'appareil doit accepter tout brouillage radioélectrique subi, même si le brouillage est susceptible d'en compromettre le fonctionnement.

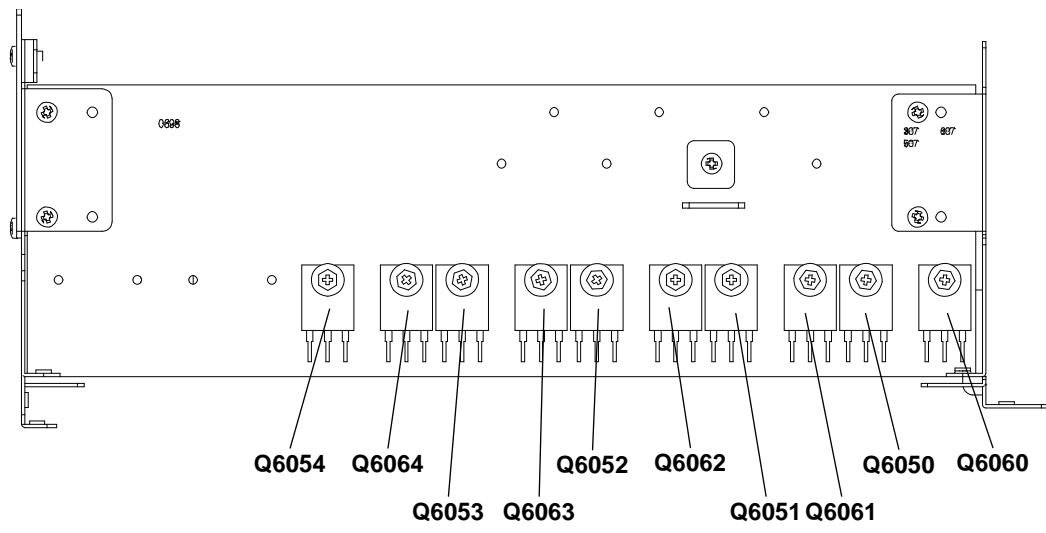
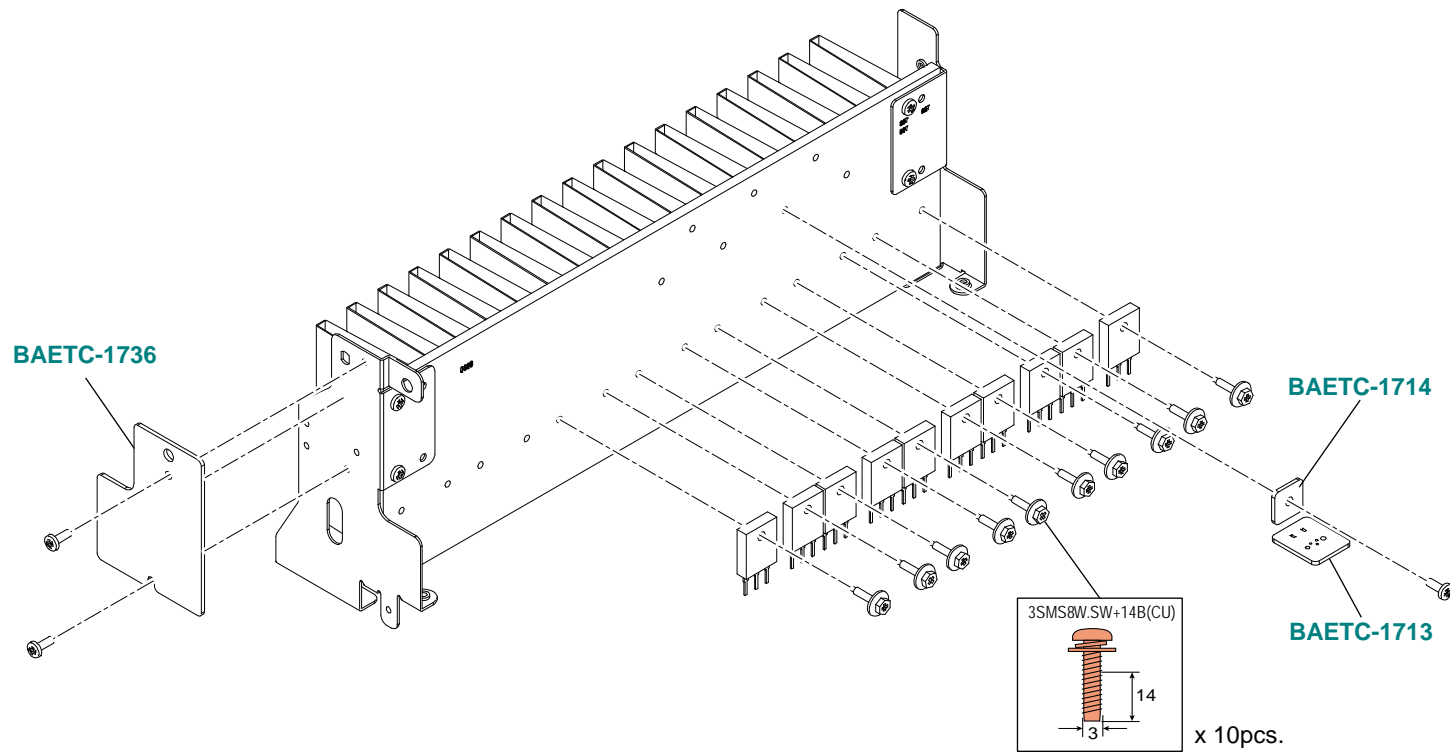
This equipment complies with IC radiation exposure limits set forth for an uncontrolled environment and meets RSS-102 of the IC radio frequency (RF) Exposure rules. This equipment has very low levels of RF energy that it deemed to comply without maximum permissive exposure evaluation (MPE). But it is desirable that it should be installed and operated keeping the radiator at least 20cm or more away from person's body (excluding extremities: hands, wrists, feet and ankles).

Cet équipement est conforme aux limites d'exposition aux rayonnements énoncées pour un environnement non contrôlé et respecte les règles d'exposition aux fréquences radioélectriques (RF) CNR-102 de l'IC. Cet équipement émet une énergie RF très faible qui est considérée conforme sans évaluation de l'exposition maximale autorisée. Cependant, cet équipement doit être installé et utilisé en gardant une distance de 20 cm ou plus entre le dispositif rayonnant et le corps (à l'exception des extrémités : mains, poignets, pieds et chevilles).

This is TX-SR343. TX-SR444 / HT-R494 are same mostly structurally. Please refer to PANEL pages for detailed place by the terminal.

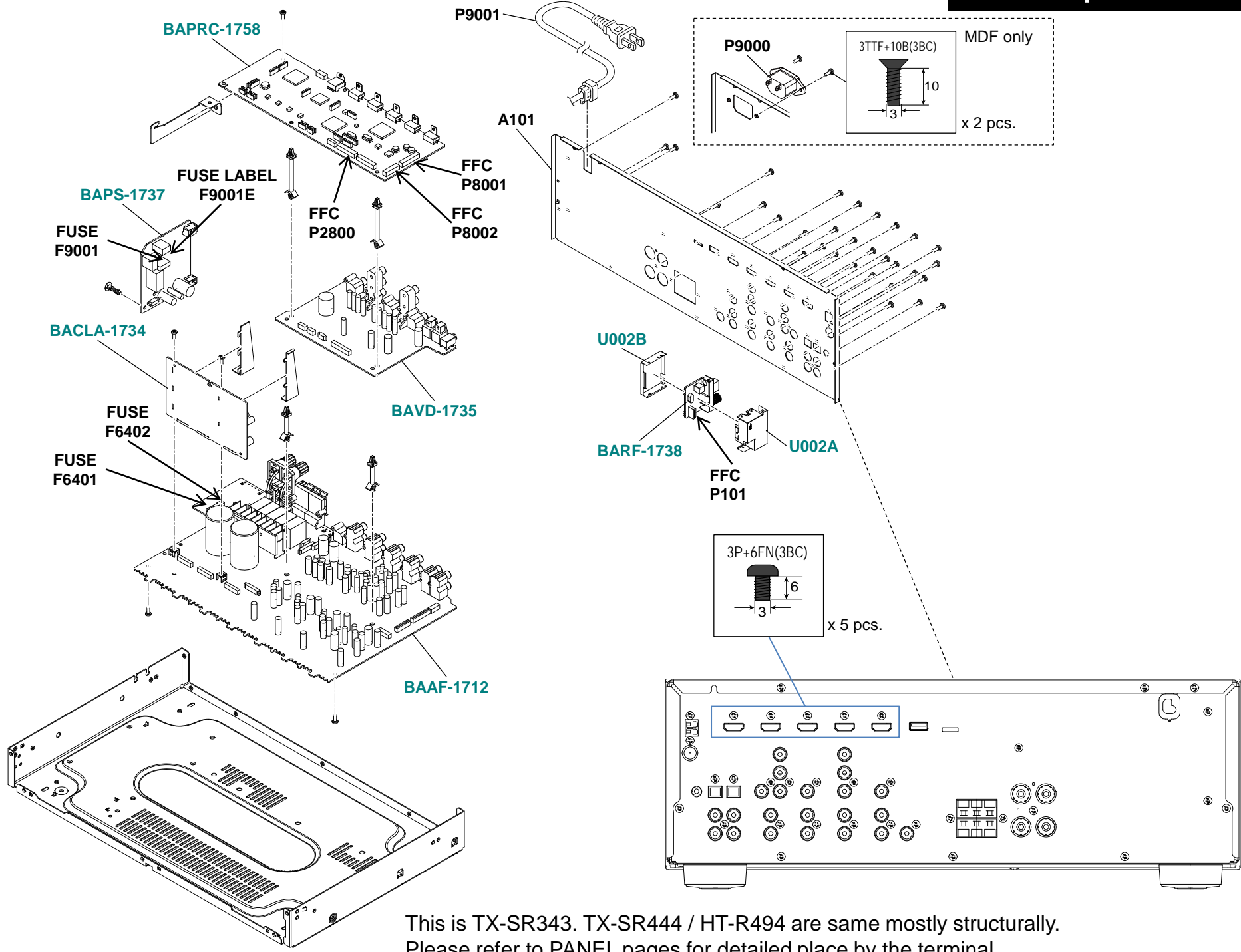
Heat sink section

Exploded View



Rear section

Exploded View



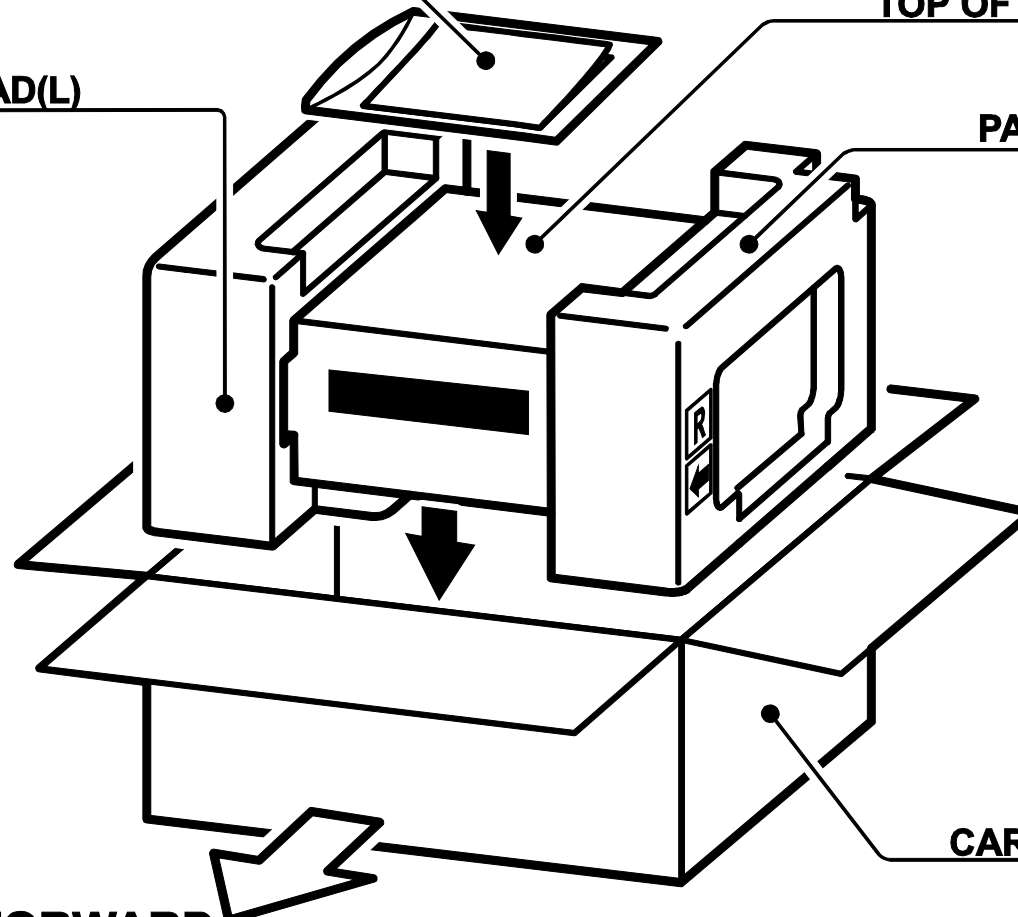
This is TX-SR343. TX-SR444 / HT-R494 are same mostly structurally. Please refer to PANEL pages for detailed place by the terminal.

ACCESSORY BAG
(INSTRUCTION MANUAL
REMOTE CONTROLLER etc.)

TOP OF UNIT

PAD(L)

PAD(R)



CARTON

FORWARD

- | ACCESSORY |
|----------------------|
| • REMOTE CONTROLLER |
| • INSTRUCTION MANUAL |
| • FM/AM ANTENNA |
| • SET UP MIC |

Operation Check

About Button Action

Use the following expression simplify description button operation.

Example-1 : [TV/CD] + [/ standby] → [BD/DVD]

Means press the [/ standby] at [TV/CD] button is pressed, then both button to speak, [BD/DVD] button is pressed.

Example-2 : [DISPLAY] + [/ standby] x 2 → [DIMMER] or [RT/PTY/TP]

Means press and hold [/ standby] button two times while pressing the [DISPLAY] button, then press the [DIMMER] or [RT/PTY/TP] button.

How to check MAIN Checksum

[TONE +] + [ON/STANDBY] x 2 → [ENTER]

How to check FL Tube and LED Operation

[TV] + [ON/STANDBY] → [DIMMER] or [RT/PTY/TP]

How to check Output Sensor & Temperature Sensor

[TONE +] + [ON/STANDBY] x 2 → [TONE]

[例] 001 042 E:x S:H

The level of VOLH

The temperature of the thermal sensor

The state of the cooling fan
x:STOP or Not included, L:LOW SPEED, H:HIGH SPEED
TX-SR343 don't have the cooling fan.

Power supply change in the amplifier section
H:High voltage, L:Low voltage

Initial Setting for Shipping (Service Information is also cleared.)

Step1

Set the volume level as 25.

Step2

[TONE] + [ON/STANDBY] → [Return] x 2
Display "All Clear" of FL tube and AVR goes standby.

Step3

Unplug the power cord.

Operation Check

How to enter to a test mode

Step1 : Set the volume level as 25.

Step2 : [TV] + [ON/STANDBY]

Display "TEST-_"

Step3 : Press the following button, while "TEST - " is displayed, then each test mode is set.

1-00	2-00	3-00	4-00	5-00	6-00
BD/DVD	CBL/Sat	GAME1	GAME2	STRM BOX	VCR

How to check buttons and Master Volume Operation

Step1

Set the following test mode and confirm each buttons and master volume operation.

Test mode (TEST 1-06) [TV] + [ON/STANDBY] → [BD/DVD] → [TONE +] x 6

Step2

If "ON/STANDBY" button is pressed, AVR escapes from this button test mode.

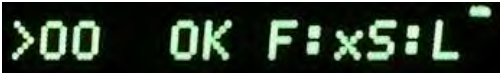
Therefor, press the "ON/STANDBY" button, after checking other buttons finished.

How to check Output Sensor

Step1 : Low Detect check

When set the following test mode , if FL tube display "OK" then this check is passed.

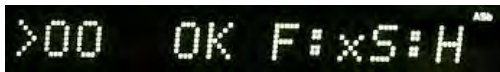
Test mode (TEST 1-07) [TV] + [ON/STANDBY] → [BD/DVD] → [TONE +] x 7
Relay RL6430 and RL6440



Step2 : High Detect check

When set the following test mode , if FL tube display "OK" then this check is passed.

Test mode (TEST 1-08) [TV] + [ON/STANDBY] → [BD/DVD] → [TONE +] x 8
Relay RL6430 and RL6440



How to check FL Display

Step1 : Set VOL Level = 25

Step2 : [TV] + [ON/STANDBY] → [DIMMER] or [RT/PTY/TP]

Lit all Segment.

Step3 : [TONE +]

Lit '23456789ABCDEF'.

Step4 : [TONE +]

Lit a even number segment.

Step5 : [TONE +]

Lit an odd number segment.

Step6 : [TONE +]

The Destination setting is displayed.

Debug Mode

Audio debug mode

The operations of DSP and DIR etc. are able to checked by the information displayed on FL in this debug mode. This information will help to analysing digital audio no sound trouble.

How to enter to a audio debug mode

Step1 : Set the volume level as 25.

Step2 : [TONE+] + [ON/STANDBY] x 2

Display "Mx.xx / xxxxxxxx" --- Version number of MPU

Step3 : [TONE+]

Display "Nx.xx / xxxxxxxx" --- Version number of N or DA830/NET

Step4 : [TONE+] = forward, [TONE-] =reverse

FL Display

1	1	2	2	3	3	:	4	4	:	5	5		
							[TONE+]↓			↑	[TONE-]		
6	6	6	:	7	:	8	8	8	:	9	:	10	
							[TONE+]↓			↑	[TONE-]		
1	:	11	11	11	11	12	12	12	K	13	13	13	k
							[TONE+]↓			↑	[TONE-]		
14	14	14	.	15	:	16	16	16	16	:	17	17	17
							[TONE+]↓			↑	[TONE-]		
2	:	18	:	19	19	19	19	:	20	20	20	20	
							[TONE+]↓			↑	[TONE-]		
	21	21	:	22	:	23	:	24	24	24		25	25
							[TONE+]↓			↑	[TONE-]		
26	26	27	27	28	*	29	*	30	30	31	31	32	32
							[TONE+]↓			↑	[TONE-]		
33	33	33	34	34	34	35	35	35	36	36	36		

FL Display

1	1	2	2	3	3	:	4	4	:	5	5		
---	---	---	---	---	---	---	---	---	---	---	---	--	--

1. st_srd.lmd

01	C_LM_LAST
02	C_LM_PURE
03	C_LM_DIRECT
04	C_LM_STEREO
05	C_LM_MONO
20	C_LM_SURR
50	C_LM_THX_MUSIC
70	C_LM_THX_GAME
90	C_LM_THX_CINEMA
A0	C_LM_THX_U2GAME
A8	C_LM_THX_U2MUSIC
B0	C_LM_THX_U2CINEMA
D0	C_LM_AUDYSSEY
48	C_LM_DTSSS
06	C_LM_ORCHESTRA
07	C_LM_UNPLUGGED
08	C_LM_STUDIOMIX
09	C_LM_TVLOGIC
0A	C_LM_ALLCHST
0B	C_LM_FULLMONO
0C	C_LM_TD
F1	C_LM_TESTTONE
F2	C_LM_TESTTHR
F3	C_LM_TESTAUTO
F4	C_LM_ASC
F5	C_LM_FLASH
F6	C_LM_DEBUGMODE
F7	C_LM_FLASH2
F8	C_LM_FLASH3
F9	C_LM_FLASH4
FA	C_LM_FLASH_CHECK
0D	C_LM_RPG
0E	C_LM_ACTION
0F	C_LM_ROCKBAND
10	C_LM_SPORTS

2. st_srd.extdec

00	C_EXTDEC_OFF
01	C_EXTDEC_20_PLII
02	C_EXTDEC_20_PLIIX
03	C_EXTDEC_20_PLIIZ
04	C_EXTDEC_20_NEO6
05	C_EXTDEC_51_MTR
06	C_EXTDEC_51_DSC
07	C_EXTDEC_51_NEO6
08	C_EXTDEC_51_EX
09	C_EXTDEC_51_PLIIX
0A	C_EXTDEC_51_PLIIZ
0B	C_EXTDEC_9624
0C	C_EXTDEC_9624_MTR
0E	C_EXTDEC_71MULTI
0F	C_EXTDEC_20_NEURAL
10	C_EXTDEC_51_NEURAL
13	C_EXTDEC_DOLBY_20_SURR
14	C_EXTDEC_DOLBY_51_SURR

3. st_srd.extdecmd

00	C_EXTDECMD_OFF
01	C_EXTDECMD_10
02	C_EXTDECMD_20
03	C_EXTDECMD_MOVIE
04	C_EXTDECMD_MUSIC
05	C_EXTDECMD_GAME
06	C_EXTDECMD_HEIGHT
07	C_EXTDECMD_WIDE

4. Muting port

D	DIGMUTE port
A	AMUTE port

5. Factor of muting

bit_1	SELMUTE
bit_2	POWMUTE
bit_3	PROTECTMUTE
bit_4	AUDIOOUTMUTE
bit_5	AUDIOMUTE
bit_6	DIRMUTE
bit_7	DACMUTE
bit_8	HDMIMUTE

FL Display

6	6	6	:	7	:	8	8	8	:	9	:	10	
---	---	---	---	---	---	---	---	---	---	---	---	----	--

6. Audio input channel

ANA	Analog
COX	Coaxial
OPT	Optical
HDM	HDMI
ARC	ARC

7. DSP decode

0	DSP Detect OK
x	DSP No Detect

8. HDMI audio lock

STB	SOUND STATE FIX
TRS	SOUND STATE UNFIX
NON	SOUND STATE NONE

9. Display inhibit frag

S	display inhibit SET
C	display inhibit CLR

10. RX mute

V	HDMI MUTE
---	-----------

FL Display

1 : 11 11 11 11 12 12 12 k 13 13 13 k

11. source_format		12. st_srd.fs	
UNLK	DDR_UNLOCK	???	unknown
ANA	DDR_ANALOG	008	8kHz
PCM	DDR_PCM	011	11kHz
AC3	DDR_AC3	012	12kHz
DTS	DDR_DTS	016	16kHz
MPEG	DDR_MPEG	022	22kHz
DATA	DDR_DATA	024	24kHz
UNKW	DDR_UNKNOWN	032	32kHz
NORD	DDR_NOT_READY	044	44.1kHz
NPCM	DDR_NOT_PCM	048	48kHz
FS96	DDR_FS96	064	64Hz
NODT	DDR_NOT_DETECT	088	88.2kHz
DTSC	DDR_DTSCD	096	96kHz
AAC	DDR_AAC	176	176.4kHz
MPCM	DDR_MCHPCM	192	192kHz
MCH	DDR_MCH		
TRUE	DDR_TRUE		
MSTR	DDR_MSTR	13. st_hd_display.fs	
DSD	DDR_DSD	???	unknown
PLUS	DDR_DDPLUS	008	8kHz
EXPR	DDR_DTSEXP	011	11kHz
DTSH	DDR_DTSHD	012	12kHz
		016	16kHz
		022	22kHz
		024	24kHz
		032	32kHz
		044	44.1kHz
		048	48kHz
		064	64Hz
		088	88.2kHz
		096	96kHz
		176	176.4kHz
		192	192kHz

FL Display

14 14 14 . 15 : 16 16 16 16 : 17 17 17

14. Information of the input channels for listening mode transition		15. Information of the LFE channel input	
???	C_FMT_UNKNOWN	0	SW 0ch
10	C_FMT_10	1	SW 1ch
20	C_FMT_20	2	SW 2ch
30	C_FMT_30		
21	C_FMT_21		
31	C_FMT_31		
22	C_FMT_22		
32	C_FMT_32	16. Channel information of the FL display	
23	C_FMT_23	Four digit string "10.2", "5.", "+1"	
33	C_FMT_33		
24	C_FMT_24	17. Number of channels after decoding	
34	C_FMT_34	???	C_FMT_UNKNOWN
4H2	C_FMT_42H	10	C_FMT_10
5H2	C_FMT_52H	20	C_FMT_20
4W2	C_FMT_42W	30	C_FMT_30
5W2	C_FMT_52W	21	C_FMT_21
4H4	C_FMT_44H	31	C_FMT_31
4H3	C_FMT_43H	22	C_FMT_22
5H4	C_FMT_54H	32	C_FMT_32
5H3	C_FMT_53H	23	C_FMT_23
4W4	C_FMT_44W	33	C_FMT_33
4W3	C_FMT_43W	24	C_FMT_24
5W4	C_FMT_54W	34	C_FMT_34
5W3	C_FMT_53W	4H2	C_FMT_42H
11	C_FMT_11	5H2	C_FMT_52H
		4W2	C_FMT_42W
		5W2	C_FMT_52W
		4H4	C_FMT_44H
		4H3	C_FMT_43H
		5H4	C_FMT_54H
		5H3	C_FMT_53H
		4W4	C_FMT_44W
		4W3	C_FMT_43W
		5W4	C_FMT_54W
		5W3	C_FMT_53W
		11	C_FMT_11

Debug Mode

FL Display

2	:	18	:	19	19	19	19	:	20	20	20	20
---	---	----	---	----	----	----	----	---	----	----	----	----

18. Audio output OK/NG

O decode OK
X decode NG

19. Details of input format

ANA C_SRC_ANA
PCM C_SRC_PCM
DLB C_SRC_DD
DEX C_SRC_DD_EX
DTS C_SRC_DTS
MTR C_SRC_DTS_MTR
DSC C_SRC_DTS_DSC
D96 C_SRC_DTS_96
96M C_SRC_DTS_96M
AAC C_SRC_AAC
MCH C_SRC_MCH
DSP C_SRC_DSP
MPCM C_SRC_MCHPCM
DSD C_SRC_DSD
TRUE C_SRC_TRUE
TRES C_SRC_TRUE_EX
MSTR C_SRC_MSTR
PLUS C_SRC_DDPLUS
PLEX C_SRC_DDPLUS_EX
EXP C_SRC_DTSEXP
DTSH C_SRC_DTSHD
DSUR C_SRC_DD_SUR
DPSR C_SRC_DDPLUS_SUR
TRSR C_SRC_TRUE_SUR

20. Details of the format for the FL display

ANA C_SRC_ANA
PCM C_SRC_PCM
DLB C_SRC_DD
DEX C_SRC_DD_EX
DTS C_SRC_DTS
MTR C_SRC_DTS_MTR
DSC C_SRC_DTS_DSC
D96 C_SRC_DTS_96
96M C_SRC_DTS_96M
AAC C_SRC_AAC
MCH C_SRC_MCH
DSP C_SRC_DSP
MPCM C_SRC_MCHPCM
DSD C_SRC_DSD
TRUE C_SRC_TRUE
TRES C_SRC_TRUE_EX
MSTR C_SRC_MSTR
PLUS C_SRC_DDPLUS
PLEX C_SRC_DDPLUS_EX
EXP C_SRC_DTSEXP
DTSH C_SRC_DTSHD
DSUR C_SRC_DD_SUR
DPSR C_SRC_DDPLUS_SUR
TRSR C_SRC_TRUE_SUR

Appendix

FL Display

21	21	:	22	:	23	:	24	24	24	:	25	25
----	----	---	----	---	----	---	----	----	----	---	----	----

21. Dialog norm

Dialog norm value from 0 to 31

22. Return value of DIRINIT request dir (DDC_STATUS)

O LOCK
X UNLOCK

23. Return value of DIR busy or free Request_dir (DDC_BUSY)

F Free
B Busy

24. emphasis of information

ON ON
OFF OFF

25. HDDVD/BLUE(only DDPLUS)

BD Blu-ray
HD HDDVD

FL Display

26	26	27	27	28	*	29	*	30	30	31	31	32	32
----	----	----	----	----	---	----	---	----	----	----	----	----	----

26. Audio IF DA830 input				30. DIR sequence number			
IH	AUD_IF_I2S_H	00	SEQ_DIG_POWEROFF				
DS	AUD_IF_DSD	10	SEQ_DIG_RESET				
IS	AUD_IF_I2S	11	SEQ_DIG_POWERON_WAIT				
NT	AUD_IF_NET	12	SEQ_DIG_RESTART				
SP	AUD_IF_SPDIF	13	SEQ_DIG_WAIT_HDMI_FREE				
AD	AUD_IF_ADC	20	SEQ_DIG_INPSEL_SET				
HR	AUD_IF_DDDTSHR	30	SEQ_DIG_ANALOG_SET				
27. Information of DIR Burst Preamble				31 SEQ_DIG_DIGITAL_SET			
DS	DTSHD HR	32	SEQ_DIG_MCHPCM_SET				
DP	DD PLUS	33	SEQ_DIG_MCHANA_SET				
Preamble Val	0x??	34	SEQ_DIG_DDPDTSHD_SET				
28. DIR Free or Busy				35 SEQ_DIG_NET_SET			
F	Free	40	SEQ_DIG_INIT_ERROR				
B	Busy	41	SEQ_DIG_CHK_ERROR1				
29. DIR Detect Fs				42 SEQ_DIG_CHK_ERROR2			
00	CLOCK_FREQ_UNKNOWN	43	SEQ_DIG_CHK_FREE				
01	CLOCK_FREQ_8K	50	SEQ_DIG_CHK_ANALOG				
02	CLOCK_FREQ_11K	60	SEQ_DIG_LOCK_PLL				
03	CLOCK_FREQ_12K	61	SEQ_DIG_LOCK_ANA				
04	CLOCK_FREQ_16K	F0	SEQ_DIG_FREE				
05	CLOCK_FREQ_22K	f1	SEQ_DIG_FREE_ANA				
06	CLOCK_FREQ_24K	31. DIR switch sequence number					
07	CLOCK_FREQ_32K	00	SEQ_SWITCH_POWEROFF				
08	CLOCK_FREQ_44K	01	SEQ_SWITCH_RESET				
09	CLOCK_FREQ_48K	02	SEQ_SWITCH_POWERON_WAIT				
0A	CLOCK_FREQ_64K	03	SEQ_SWITCH_CHANGE				
0B	CLOCK_FREQ_88K	04	SEQ_SWITCH_FREE				
0C	CLOCK_FREQ_96K	32. DAC sequence number					
0D	CLOCK_FREQ_128K	00	SEQ_DAC_POWEROFF				
0E	CLOCK_FREQ_176K	01	SEQ_DAC_RESET				
0F	CLOCK_FREQ_192K	02	SEQ_DAC_POWERON_WAIT				
		03	SEQ_DAC_INITIALIZE				
		04	SEQ_DAC_RESTART				
		05	SEQ_DAC_CMND_SET				
		06	SEQ_DAC_FREE_WAIT				
		07	SEQ_DAC_FREE				

FL Display

33	33	33	34	34	34	35	35	35	36	36	36
----	----	----	----	----	----	----	----	----	----	----	----

33. Information of the input FS of DA830				35. Information of the input MCLK of DA830			
UNK	C_FS_UNKNOWN	64	AUD_MCLK_64Fs				
8	C_FS_08	128	AUD_MCLK_128Fs				
11	C_FS_11	256	AUD_MCLK_256Fs				
12	C_FS_12	384	AUD_MCLK_384Fs				
16	C_FS_16	512	AUD_MCLK_512Fs				
22	C_FS_22	640	AUD_MCLK_640Fs				
24	C_FS_24	768	AUD_MCLK_768Fs				
32	C_FS_32	36. State of the audio input of DA830					
44	C_FS_44	NO	AUD_STS_SOUND_NO				
48	C_FS_48	TRS	AUD_STS_SOUND_TRANS				
64	C_FS_64	STB	AUD_STS_SOUND_STAB				
88	C_FS_88	34. Information of the output FS of DA830					
96	C_FS_96	UNK	C_FS_UNKNOWN				
176	C_FS_176	8	C_FS_08				
192	C_FS_192	11	C_FS_11				
		12	C_FS_12				
		16	C_FS_16				
		22	C_FS_22				
		24	C_FS_24				
		32	C_FS_32				
		44	C_FS_44				
		48	C_FS_48				
		64	C_FS_64				
		88	C_FS_88				
		96	C_FS_96				
		176	C_FS_176				
		192	C_FS_192				

Debug Mode

HDMI resolution display

HDMI-related operations can be checked to some extent by displaying HDMI resolution display mode.

How to enter to this mode

Step1 : [ENTER] Hold down for 3 seconds

The display order

Display of the input signal

Step1 : Display of the input signal (for 5 seconds)

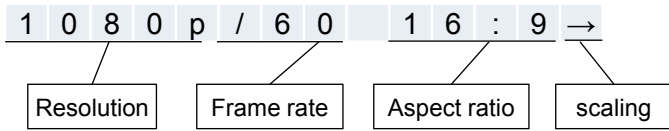


Step2 : Display of the output signal (for 5 seconds)

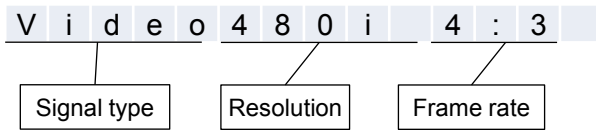
Debug Mode

Display of the input signal

Digital



Analog

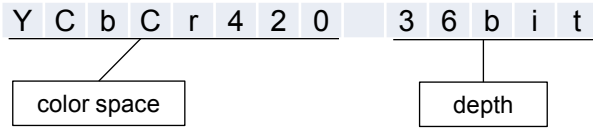


Input signal	Display
• DVI	4 8 0 I / 6 0 1 6 : 9
	4 8 0 P / 6 0 4 : 3
• VGA(DVI)	* V G A / 5 9 4 : 3
• Pixel Repetition	Pixel Rep. 2: D (Except 480i)
	Pixel Rep. 4: Q
	Pixel Rep. 8: O
• CVBS	V i d e o 4 8 0 i 4 : 3
• Component	C M P 5 7 6 i 1 6 : 9
• 21:9 (Pixel AR ≠ 1:1)	1 0 8 0 p / 6 0 2 1 : 9
• 21:9 (Pixel AR = 1:1)	1 0 8 0 w / 6 0 2 1 : 9
• LTE TMD5 Clock340MHz	1 0 8 0 p / 6 0 S 1 6 : 9
• No input	U n k n o w n

Debug Mode

Display of the output signal

Output resolution



Output resolution (4k scaling)

4 K 6 0 p 4 2 0 3 0 b i t

Output resolution (dawn scaling)

1 0 8 0 p 4 2 2 2 4 b i t

Output resolution (IP converter)

4 8 0 p 4 4 4 2 4 b i t

Output signal	Display
• RSEN OFF	[][][][][] R G B 4 8 b *
• EDID_READ_NG	[][][][][] D V I 2 4 b #
• Resolution Error	Y C b C r 4 4 4 4 8 b E
• DVIの場合	[][][][][] D V I 2 4 b i t
• No output	[][][][][][] - - - - -
• 4096 x 2160p	4 K 6 0 p R G B # 2 4 b i t
• LTE340MHz	[][][][][] R G B 2 4 b S
• Signal generate	[] 4 8 0 p R G B G e n []
• Cannot detect the hot-plug	[][][][][][][] O F F []

Service Information Mode

Service Information Mode

Displaying Service information

This service information display system is helpful in analyze the status when the unit goes into Protect mode and is powered off. Pay attention that the status will change if a button is pushed.

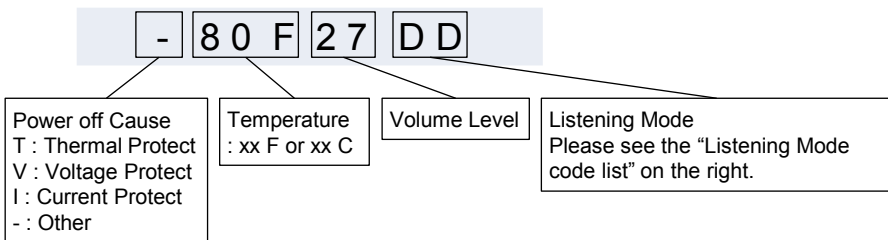
How to enter to service information mode.

Step1 : Set the volume level as 25.

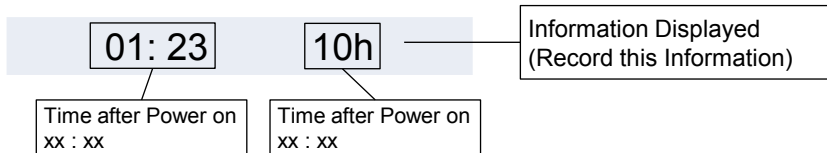
Step2 : [TONE+] + [ON/STANDBY] x 2



Step3 : [SETUP]

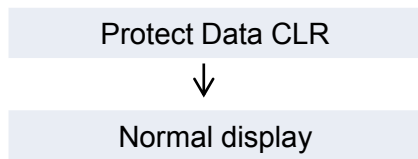


Step4 : [SETUP]



To exit the service information mode.

[ON/STANDBY]



(REF.: To initialize the data in the service information.)

[RETURN]

Listening Mode Code List

01	C_LM_LAST
02	C_LM_PURE
03	C_LM_DIRECT
04	C_LM_STEREO
05	C_LM_MONO
20	C_LM_SURR
50	C_LM_THX_MUSIC
70	C_LM_THX_GAME
90	C_LM_THX_CINEMA
A0	C_LM_THX_U2GAME
A8	C_LM_THX_U2MUSIC
B0	C_LM_THX_U2CINEMA
D0	C_LM_AUDYSSEY
48	C_LM_DTSSS
06	C_LM_ORCHESTRA
07	C_LM_UNPLUGGED
08	C_LM_STUDIOMIX
09	C_LM_TVLOGIC
0A	C_LM_ALLCHST
0B	C_LM_FULLMONO
0C	C_LM_TD
F1	C_LM_TESTTONE
F2	C_LM_TESTTHR
F3	C_LM_TESTAUTO
F4	C_LM_ASC
F5	C_LM_FLASH
F6	C_LM_DEBUGMODE
F7	C_LM_FLASH2
F8	C_LM_FLASH3
F9	C_LM_FLASH4
FA	C_LM_FLASH_CHECK
0D	C_LM_RPG
0E	C_LM_ACTION
0F	C_LM_ROCKBAND
10	C_LM_SPORTS

TX-SR444(B)MDC

<Note>

Parts marked by "NSP" are generally unavailable because they are not in our Master Spare Parts List.

NOTE : THE COMPONENTS IDENTIFIED BY THE MARK ! ARE CRITICAL FOR RISK OF FIRE AND ELECTRIC SHOCK. REPLACE ONLY WITH PART NUMBER SPECIFIED.

<Notes>

(B) : Black color model

<MDC> : 120V

Canadian/USA/(Mexico) model

NSP

TX-SR444(B)MDC

EXPLODED VIEW PARTS LIST

REF. NO.	PART NAME	DESCRIPTION	Q'TY	PART NO. (SN)	REMARKS
[SEMI CONDUCTOR]					
Q6050	TRANSISTOR	2SC5198-O	1	2203063	
Q6050 or	TRANSISTOR	2SC4468-O	(1)	2202523	
Q6050 or	TRANSISTOR	2SC4468-P	(1)	2202526	
Q6050 or	TRANSISTOR	2SC5198-R	(1)	2203062	
Q6051	TRANSISTOR	2SC5198-O	1	2203063	
Q6051 or	TRANSISTOR	2SC4468-O	(1)	2202523	
Q6051 or	TRANSISTOR	2SC4468-P	(1)	2202526	
Q6051 or	TRANSISTOR	2SC5198-R	(1)	2203062	
Q6052	TRANSISTOR	2SC5198-O	1	2203063	
Q6052 or	TRANSISTOR	2SC4468-O	(1)	2202523	
Q6052 or	TRANSISTOR	2SC4468-P	(1)	2202526	
Q6052 or	TRANSISTOR	2SC5198-R	(1)	2203062	
Q6053	TRANSISTOR	2SC5198-O	1	2203063	
Q6053 or	TRANSISTOR	2SC4468-O	(1)	2202523	
Q6053 or	TRANSISTOR	2SC4468-P	(1)	2202526	
Q6053 or	TRANSISTOR	2SC5198-R	(1)	2203062	
Q6054	TRANSISTOR	2SC5198-O	1	2203063	
Q6054 or	TRANSISTOR	2SC4468-O	(1)	2202523	
Q6054 or	TRANSISTOR	2SC4468-P	(1)	2202526	
Q6054 or	TRANSISTOR	2SC5198-R	(1)	2203062	
Q6055	TRANSISTOR	2SC5198-O	1	2203063	
Q6055 or	TRANSISTOR	2SC4468-O	(1)	2202523	
Q6055 or	TRANSISTOR	2SC4468-P	(1)	2202526	
Q6055 or	TRANSISTOR	2SC5198-R	(1)	2203062	
Q6056	TRANSISTOR	2SC5198-O	1	2203063	
Q6056 or	TRANSISTOR	2SC4468-O	(1)	2202523	
Q6056 or	TRANSISTOR	2SC4468-P	(1)	2202526	
Q6056 or	TRANSISTOR	2SC5198-R	(1)	2203062	
Q6060	TRANSISTOR	2SA1941-O	1	2203053	
Q6060 or	TRANSISTOR	2SA1695-O	(1)	2202513	
Q6060 or	TRANSISTOR	2SA1695-P	(1)	2202516	
Q6060 or	TRANSISTOR	2SA1941-R	(1)	2203052	
Q6061	TRANSISTOR	2SA1941-O	1	2203053	
Q6061 or	TRANSISTOR	2SA1695-O	(1)	2202513	
Q6061 or	TRANSISTOR	2SA1695-P	(1)	2202516	
Q6061 or	TRANSISTOR	2SA1941-R	(1)	2203052	
Q6062	TRANSISTOR	2SA1941-O	1	2203053	
Q6062 or	TRANSISTOR	2SA1695-O	(1)	2202513	
Q6062 or	TRANSISTOR	2SA1695-P	(1)	2202516	
Q6062 or	TRANSISTOR	2SA1941-R	(1)	2203052	
Q6063	TRANSISTOR	2SA1941-O	1	2203053	
Q6063 or	TRANSISTOR	2SA1695-O	(1)	2202513	
Q6063 or	TRANSISTOR	2SA1695-P	(1)	2202516	
Q6063 or	TRANSISTOR	2SA1941-R	(1)	2203052	
Q6064	TRANSISTOR	2SA1941-O	1	2203053	
Q6064 or	TRANSISTOR	2SA1695-O	(1)	2202513	
Q6064 or	TRANSISTOR	2SA1695-P	(1)	2202516	
Q6064 or	TRANSISTOR	2SA1941-R	(1)	2203052	
Q6065	TRANSISTOR	2SA1941-O	1	2203053	
Q6065 or	TRANSISTOR	2SA1695-O	(1)	2202513	
Q6065 or	TRANSISTOR	2SA1695-P	(1)	2202516	
Q6065 or	TRANSISTOR	2SA1941-R	(1)	2203052	
Q6066	TRANSISTOR	2SA1941-O	1	2203053	

Q6066 or	TRANSISTOR	2SA1695-O	(1)	2202513	
Q6066 or	TRANSISTOR	2SA1695-P	(1)	2202516	
Q6066 or	TRANSISTOR	2SA1941-R	(1)	2203052	
[CHASSIS SCREW]					
A002	BOTTOM LEG	phi48(313)	4	27175472	
A003	CUSHION	(ZUL) phi20 x phi8	4	28141900	
A101	REAR PANEL	TXSR444MDC	1	27124639A	N
[CABINET]					
A201	FRONT PANEL	TXSR444(B)	1	27213760A	N
A202	CLEAR PLATE	TXSR444(B)MDC	1	28192444	
A203	BADGE	LABEL	1	28135323	
A204	KNOB	(TONE)TXSR343(B)_3	1	28327200	
A205	KNOB	(MU)TXSR343(B)_1	1	28327202	
A206	KNOB	(INP)TXSR343(B)	1	28327194	
A207	KNOB	(SEL)TXSR343(B)	1	28327196A	
A208	KNOB	(MODE)TXSR343(B)	1	28327198A	
A209	KNOB	(STBY)(B)	1	28327234	
A209 or	KNOB	(STBY)(B)	(1)	28326904	
A210	KNOB	(CUR)	1	28326907B	
A211	KNOB	(VOL)AS_TXSR343(B)	1	28327192	
A401	COVER	343/444(B) (Bent)	1	28210142A	
A401	COVER	343/444(B) (Not Bent)	1	28210142AZ	
A403	LABEL	(CAUTION)	1	29392531	
[TRANS COIL]					
T901	POWER TRANSFORMER	NPT-1656D	1	2302131	!
[SW TRM]					
F6401	FUSE	10A-UL/T-233	1	252330GR	!
F6401 or	FUSE	10A-T/UL-ST2	(1)	252333GR	!
F6402	FUSE	10A-UL/T-233	1	252330GR	!
F6402 or	FUSE	10A-T/UL-ST2	(1)	252333GR	!
F9001	FUSE	8A-UL/T-233	1	252329GR	!
F9001E	LABEL	8A/125V	1	29360842	
P101	FLEXIBLE FLAT CABLE	NCFC7-071012	1	2047071012	
P2800	FLEXIBLE FLAT CABLE	NCFC5-231012	1	2045231012	
P7001	FLEXIBLE FLAT CABLE	NCFC5-232512	1	2045232512	
P8001	FLEXIBLE FLAT CABLE	NCFC5-231012	1	2045231012	
P8002	FLEXIBLE FLAT CABLE	NCFC5-171012	1	2045171012	
P9001	POWER SUPPLY CORD	AS-UC-2	1	253368AYUN	!
P9001 or	POWER SUPPLY CORD	AS-UC-2	(1)	253368BLTK	!
[TUNER UNIT]					
U001	PARENT PC BOARD AS	BAAF-1712-1A * (Parent)	1	1B303512-1A	MDC
BAAF-1712	ASP/ AMP PC BOARD AS	BAAF-1712-1A (Child)	1	1B3035712-1A	
BAETC-1713	THERMAL SENSOR PC BOARD AS	BAETC-1713-1A (Child)	1	1B3035713-1A	
BAETC-1714	SPASER(SENSOR) PC BOARD AS	BAETC-1714-1A (Child)	1	1B3035714-1A	
BAETC-1715	PHONE JACK PC BOARD AS	BAETC-1715-1A (Child)	1	1B3035715-1A	
U002	PARENT PC BOARD AS	BADIS-1732-1A * (Parent)	1	1B303532-1A	MDC
BADIS-1732	DISPLAY PC BOARD AS	BADIS-1732-1A (Child)	1	1B3035732-1A	
BADIS-1732	DISPLAY PC BOARD AS	BADIS-1732-1A (Child)	1	1B3035732-1A	
BACLA-1734	VOLTAGE AMP PC BOARD AS	BACLA-1734-1A (Child)	1	1B3035734-1A	
BAVD-1735	VIDEO/ OPT TERMINAL PC BOARD AS	BAVD-1735-1A (Child)	1	1B3035735-1A	
BAETC-1736	HOLDER PC BOARD AS	BAETC-1736-1A (Child)	1	1B3035736-1A	
BAPS-1737	POWER SUPPLY(PRI) PC BOARD AS	BAPS-1737-1A (Child)	1	1B3035737-1A	
BARF-1738	TUNER PC BOARD AS	BARF-1738-1A (Child)	1	1B3035738-1A	
U004	PARENT PC BOARD AS	BAPRC-1758-1A * (Parent)	1	1B303558-1A	MDC
BAPRC-1758	PROCESSOR PC BOARD AS	BAPRC-1758-1A (Child)	1	1B3035758-1A	
U005	PARENT PC BOARD AS	BARF-1764-1A * (Parent)	1	1B303564-1A	MDC
BARF-1764	BLUETOOTH MODULE PC BOARD AS	BARF-1764-1A (Child)	1	1B3035764-1A	
U002A	SHIELD CASE	(TUNER-TOP)	1	27225206A	
U002B	SHIELD CASE	(TUNER-BTM)	1	27225207A	

TX-SR444(B)MDC

PACKING PROCEDURES PARTS LIST

REF. NO.	PART NAME	DESCRIPTION	Q'TY	PART NO. (SN)	REMARKS
[PACKING]					
A601	PAD	(AS)444	1	29092709A	
A601A	PAD	(L)444	{ 1 }	29092710	
A601B	PAD	(R)444	{ 1 }	29092711A	
A602	BAG	(650 x 600 x 0.515)	1	29100267	
A603	TAPE	(SEROHAN)NITTO NO.29	1	29110149	
A701	CARTON	TXSR444DC	1	29055524B	N
A702	POLYPROPYLENE TAPE	W50 SBT-70	1	29110200	
A703A	UPC LABEL	TXSR444MDC	{ 1 }	29392734	N
[ACCESSARY]					
A801	POLY BAG	w250xd350	1	29100250A	
A802	TAPE	(SEROHAN)NITTO NO.29	1	29110149	
A803	REMOTE CONTROL TRANSMITTER	RC-896M	1	24140896	N
A804	BATTERY	R6/AA(UM-3)	2	3010194	
A804 or	BATTERY	R6/AA(UM-3)	(2)	3010054	
A805	MIC	MIC-5011	1	245047	
A806	ANTENNA COIL	AM LOOP-ANTENNA	1	232207	
A807	FM ANT AS	Type W	1	292191	
A811	WARRANTY CARD	(ONKYO)	1	29365156	
A901	INSTRUCTION MANUAL	BAS_En(TXSR444)	1	29401965A	N
A902	INSTRUCTION MANUAL	BAS_Fr Es(TXSR444)	1	29401966A	N
A913	INSTRUCTION MANUAL	SAFETY_U4(EnFrEsCt)	1	29401783	

TX-SR444(B)MDC

PC BOARD PARTS LIST

U001

BAAF-1712-1A

: NSP

CIRCUIT NC	PART NAME	DESCRIPTION	Q'TY	PART NO. (SN)	REMARKS
[SEMI CONDUCTOR]					
D4173	ZENER DIODE	DZ2J068M0L	1	224760680R2	
D4173 or	ZENER DIODE	UDZS6.8B	(1)	224550680R2	
D4174	ZENER DIODE	DZ2J068M0L	1	224760680R2	
D4174 or	ZENER DIODE	UDZS6.8B	(1)	224550680R2	
D4209	CHIP TYPE DIODE	DA2J10100	1	223303R2	
D4209 or	CHIP TYPE DIODE	1SS352	(1)	223234R2	
D4219	CHIP TYPE DIODE	DA2J10100	1	223303R2	
D4219 or	CHIP TYPE DIODE	1SS352	(1)	223234R2	
D4300	DIODE	RL1N4003	1	22380260T	
D4301	DIODE	RL1N4003	1	22380260T	
D4302	DIODE	RL1N4003	1	22380260T	
D4303	DIODE	RL1N4003	1	22380260T	
D4304	CHIP TYPE DIODE	DA2J10100	1	223303R2	
D4304 or	CHIP TYPE DIODE	1SS352	(1)	223234R2	
D4305	CHIP TYPE DIODE	DA2J10100	1	223303R2	
D4305 or	CHIP TYPE DIODE	1SS352	(1)	223234R2	
D5003	ZENER DIODE	DZ2J056M0L	1	224760560R2	
D5003 or	ZENER DIODE	UDZS5.6B	(1)	224550560R2	
D5004	ZENER DIODE	DZ2J056M0L	1	224760560R2	
D5004 or	ZENER DIODE	UDZS5.6B	(1)	224550560R2	
D5005	ZENER DIODE	DZ2J056M0L	1	224760560R2	
D5005 or	ZENER DIODE	UDZS5.6B	(1)	224550560R2	
D5006	ZENER DIODE	DZ2J056M0L	1	224760560R2	
D5006 or	ZENER DIODE	UDZS5.6B	(1)	224550560R2	
D6000	CHIP TYPE DIODE	DA2J10100	1	223303R2	
D6000 or	CHIP TYPE DIODE	1SS352	(1)	223234R2	
D6001	CHIP TYPE DIODE	DA2J10100	1	223303R2	
D6001 or	CHIP TYPE DIODE	1SS352	(1)	223234R2	
D6002	CHIP TYPE DIODE	DA2J10100	1	223303R2	
D6002 or	CHIP TYPE DIODE	1SS352	(1)	223234R2	
D6003	CHIP TYPE DIODE	DA2J10100	1	223303R2	
D6003 or	CHIP TYPE DIODE	1SS352	(1)	223234R2	
D6004	CHIP TYPE DIODE	DA2J10100	1	223303R2	
D6004 or	CHIP TYPE DIODE	1SS352	(1)	223234R2	
D6005	CHIP TYPE DIODE	DA2J10100	1	223303R2	
D6005 or	CHIP TYPE DIODE	1SS352	(1)	223234R2	
D6006	CHIP TYPE DIODE	DA2J10100	1	223303R2	
D6006 or	CHIP TYPE DIODE	1SS352	(1)	223234R2	
D6010	CHIP TYPE DIODE	DA2J10100	1	223303R2	
D6010 or	CHIP TYPE DIODE	1SS352	(1)	223234R2	
D6011	CHIP TYPE DIODE	DA2J10100	1	223303R2	
D6011 or	CHIP TYPE DIODE	1SS352	(1)	223234R2	
D6012	CHIP TYPE DIODE	DA2J10100	1	223303R2	
D6012 or	CHIP TYPE DIODE	1SS352	(1)	223234R2	
D6013	CHIP TYPE DIODE	DA2J10100	1	223303R2	
D6013 or	CHIP TYPE DIODE	1SS352	(1)	223234R2	
D6014	CHIP TYPE DIODE	DA2J10100	1	223303R2	
D6014 or	CHIP TYPE DIODE	1SS352	(1)	223234R2	
D6015	CHIP TYPE DIODE	DA2J10100	1	223303R2	
D6015 or	CHIP TYPE DIODE	1SS352	(1)	223234R2	
D6016	CHIP TYPE DIODE	DA2J10100	1	223303R2	
D6016 or	CHIP TYPE DIODE	1SS352	(1)	223234R2	
D6020	CHIP TYPE DIODE	DA2J10100	1	223303R2	
D6020 or	CHIP TYPE DIODE	1SS352	(1)	223234R2	
D6021	CHIP TYPE DIODE	DA2J10100	1	223303R2	
D6021 or	CHIP TYPE DIODE	1SS352	(1)	223234R2	
D6022	CHIP TYPE DIODE	DA2J10100	1	223303R2	
D6022 or	CHIP TYPE DIODE	1SS352	(1)	223234R2	
D6023	CHIP TYPE DIODE	DA2J10100	1	223303R2	
D6023 or	CHIP TYPE DIODE	1SS352	(1)	223234R2	

D6024	CHIP TYPE DIODE	DA2J10100	1	223303R2
D6024 or	CHIP TYPE DIODE	1SS352	(1)	223234R2
D6025	CHIP TYPE DIODE	DA2J10100	1	223303R2
D6025 or	CHIP TYPE DIODE	1SS352	(1)	223234R2
D6026	CHIP TYPE DIODE	DA2J10100	1	223303R2
D6026 or	CHIP TYPE DIODE	1SS352	(1)	223234R2
D6401	DIODE	TS10B06G-07	1	22380379
D6401A	HEAT SINK	RAD-196	1	27160545
D6402	CHIP TYPE DIODE	DA2J10100	1	223303R2
D6402 or	CHIP TYPE DIODE	1SS352	(1)	223234R2
D6451	CHIP TYPE DIODE	DA2J10100	1	223303R2
D6451 or	CHIP TYPE DIODE	1SS352	(1)	223234R2
D6452	CHIP TYPE DIODE	DA2J10100	1	223303R2
D6452 or	CHIP TYPE DIODE	1SS352	(1)	223234R2
D6453	ZENER DIODE	DZ2J036M0L	1	224760360R2
D6453 or	ZENER DIODE	UDZS3.6B	(1)	224550360R2
D6454	CHIP TYPE DIODE	DA2J10100	1	223303R2
D6454 or	CHIP TYPE DIODE	1SS352	(1)	223234R2
D6455	ZENER DIODE	DZ2J033M0L	1	224760330R2
D6455 or	ZENER DIODE	UDZS3.3B	(1)	224550330R2
D6459	CHIP TYPE DIODE	DA2J10100	1	223303R2
D6459 or	CHIP TYPE DIODE	1SS352	(1)	223234R2
D6600	CHIP TYPE DIODE	DA2J10100	1	223303R2
D6600 or	CHIP TYPE DIODE	1SS352	(1)	223234R2
D6601	CHIP TYPE DIODE	DA2J10100	1	223303R2
D6601 or	CHIP TYPE DIODE	1SS352	(1)	223234R2
D6602	CHIP TYPE DIODE	DA2J10100	1	223303R2
D6602 or	CHIP TYPE DIODE	1SS352	(1)	223234R2
D6603	CHIP TYPE DIODE	DA2J10100	1	223303R2
D6603 or	CHIP TYPE DIODE	1SS352	(1)	223234R2
Q1700	HYBRID IC	NJM4580CG	1	22242922R2
Q1702	HYBRID IC	NJM4580CG	1	22242922R2
Q1703	HYBRID IC	NJM4580CG	1	22242922R2
Q1705	HYBRID IC	NJM4580CG	1	22242922R2
Q4001	HYBRID IC	NJW1298FU1	1	22242925R3
Q4003	HYBRID IC	NJM4580CG	1	22242922R2
Q4100	TRANSISTOR	RTAN430C-T112-1	1	2217780R2
Q4101	TRANSISTOR	RTAN430C-T112-1	1	2217780R2
Q4102	TRANSISTOR	RTAN430C-T112-1	1	2217780R2
Q4103	TRANSISTOR	RTAN430C-T112-1	1	2217780R2
Q4104	TRANSISTOR	RTAN430C-T112-1	1	2217780R2
Q4105	TRANSISTOR	RTAN430C-T112-1	1	2217780R2
Q4106	TRANSISTOR	RTAN430C-T112-1	1	2217780R2
Q4107	TRANSISTOR	RTAN430C-T112-1	1	2217780R2
Q4117	TRANSISTOR	RTAN430C-T112-1	1	2217780R2
Q4130	HYBRID IC	NJM4580CG	1	22242922R2
Q4170	HYBRID IC	78M15HF(NJM78M15FA)	1	222780155JRC
Q4170A	HEAT SINK	ME151025402170	1	27160692
Q4171	HYBRID IC	79M15HF(NJM79M15FA)	1	222790155JRC
Q4171A	HEAT SINK	ME151025402170	1	27160692
Q5003	TRANSISTOR	2SC2713-BL	1	2213136R2
Q5004	TRANSISTOR	2SC2713-BL	1	2213136R2
Q5005	TRANSISTOR	2SC2713-BL	1	2213136R2
Q5006	TRANSISTOR	2SC2713-BL	1	2213136R2
Q5013	TRANSISTOR	2SC2713-BL	1	2213136R2
Q5014	TRANSISTOR	2SC2713-BL	1	2213136R2
Q5015	TRANSISTOR	2SC2713-BL	1	2213136R2
Q5016	TRANSISTOR	2SC2713-BL	1	2213136R2
Q5033	TRANSISTOR	INA6006AP1-T111	1	2217980R2
Q5034	TRANSISTOR	INA6006AP1-T111	1	2217980R2
Q5035	TRANSISTOR	INA6006AP1-T111	1	2217980R2
Q5036	TRANSISTOR	INA6006AP1-T111	1	2217980R2
Q5043	TRANSISTOR	INC6006AP1-T111	1	2217990R2
Q5044	TRANSISTOR	INC6006AP1-T111	1	2217990R2
Q5045	TRANSISTOR	INC6006AP1-T111	1	2217990R2
Q5046	TRANSISTOR	INC6006AP1-T111	1	2217990R2
Q5053	TRANSISTOR	2SC2412K-R	1	2214653R2

Q5054	TRANSISTOR	2SC2412K-R	1	2214653R2
Q5055	TRANSISTOR	2SC2412K-R	1	2214653R2
Q5056	TRANSISTOR	2SC2412K-R	1	2214653R2
Q6000	TRANSISTOR	2SD2704K	1	2218130R2
Q6001	TRANSISTOR	2SD2704K	1	2218130R2
Q6002	TRANSISTOR	2SD2704K	1	2218130R2
Q6003	TRANSISTOR	2SD2704K	1	2218130R2
Q6004	TRANSISTOR	2SD2704K	1	2218130R2
Q6005	TRANSISTOR	2SD2704K	1	2218130R2
Q6006	TRANSISTOR	2SD2704K	1	2218130R2
Q6013	TRANSISTOR	2SC2713-BL	1	2213136R2
Q6014	TRANSISTOR	2SC2713-BL	1	2213136R2
Q6015	TRANSISTOR	2SC2713-BL	1	2213136R2
Q6016	TRANSISTOR	2SC2713-BL	1	2213136R2
Q6023	TRANSISTOR	2SA1163-BL	1	2216756R2
Q6024	TRANSISTOR	2SA1163-BL	1	2216756R2
Q6025	TRANSISTOR	2SA1163-BL	1	2216756R2
Q6026	TRANSISTOR	2SA1163-BL	1	2216756R2
Q6033	TRANSISTOR	TTC004B_Q(S)	1	2218022
Q6034	TRANSISTOR	TTC004B_Q(S)	1	2218022
Q6035	TRANSISTOR	TTC004B_Q(S)	1	2218022
Q6036	TRANSISTOR	TTC004B_Q(S)	1	2218022
Q6043	TRANSISTOR	TTA004B_Q(S)	1	2218012
Q6044	TRANSISTOR	TTA004B_Q(S)	1	2218012
Q6045	TRANSISTOR	TTA004B_Q(S)	1	2218012
Q6046	TRANSISTOR	TTA004B_Q(S)	1	2218012
Q6070	TRANSISTOR	2SC2713-BL	1	2213136R2
Q6071	TRANSISTOR	2SC2713-BL	1	2213136R2
Q6072	TRANSISTOR	2SC2713-BL	1	2213136R2
Q6073	TRANSISTOR	2SC2713-BL	1	2213136R2
Q6074	TRANSISTOR	2SC2713-BL	1	2213136R2
Q6075	TRANSISTOR	2SC2713-BL	1	2213136R2
Q6076	TRANSISTOR	2SC2713-BL	1	2213136R2
Q6300	HYBRID IC	LM61CIZ	1	22242212
Q6300A	RETAINER	(PTH)	1	27141884-1
Q6401	TRANSISTOR	KTC3875-GR	1	2216175R2
Q6451	TRANSISTOR	2SC2713-BL	1	2213136R2
Q6452	TRANSISTOR	2SC2713-BL	1	2213136R2
Q6453	TRANSISTOR	2SA1163-BL	1	2216756R2
Q6454	TRANSISTOR	2SA1163-BL	1	2216756R2
Q6455	TRANSISTOR	2SC2713-BL	1	2213136R2
Q6456	TRANSISTOR	KRA102S	1	2216220R2
Q6456 or	TRANSISTOR	DTA124EKA	(1)	2216240R2
Q6600	TRANSISTOR	KRC105S	1	2217290R2
Q6601	TRANSISTOR	KRC105S	1	2217290R2
Q6602	TRANSISTOR	KRC105S	1	2217290R2
Q6604	TRANSISTOR	KRC105S	1	2217290R2
[CAPACITOR]				
C1700	CHIP TYPE CERAMIC CAPACITOR	CC725CH1H-221J1	1	342102214R1
C1701	CHIP TYPE CERAMIC CAPACITOR	CC725CH1H-221J1	1	342102214R1
C1702	CHIP TYPE CERAMIC CAPACITOR	CC725CH1H-221J1	1	342102214R1
C1703	CHIP TYPE CERAMIC CAPACITOR	CC725CH1H-221J1	1	342102214R1
C1704	CHIP TYPE CERAMIC CAPACITOR	CC725CH1H-221J1	1	342102214R1
C1705	CHIP TYPE CERAMIC CAPACITOR	CC725CH1H-221J1	1	342102214R1
C1706	CHIP TYPE CERAMIC CAPACITOR	CC725CH1H-221J1	1	342102214R1
C1707	CHIP TYPE CERAMIC CAPACITOR	CC725CH1H-221J1	1	342102214R1
C1710	CHIP TYPE CERAMIC CAPACITOR	CC725CH1H-221J1	1	342102214R1
C1711	CHIP TYPE CERAMIC CAPACITOR	CC725CH1H-221J1	1	342102214R1
C1712	CHIP TYPE CERAMIC CAPACITOR	CC725CH1H-221J1	1	342102214R1
C1713	CHIP TYPE CERAMIC CAPACITOR	CC725CH1H-221J1	1	342102214R1
C1714	CHIP TYPE CERAMIC CAPACITOR	CC725CH1H-221J1	1	342102214R1
C1715	CHIP TYPE CERAMIC CAPACITOR	CC725CH1H-221J1	1	342102214R1
C1716	CHIP TYPE CERAMIC CAPACITOR	CC725CH1H-221J1	1	342102214R1
C1717	CHIP TYPE CERAMIC CAPACITOR	CC725CH1H-221J1	1	342102214R1
C1720	CHIP TYPE CERAMIC CAPACITOR	CC725CH1H-102J1	1	342101024R1
C1721	CHIP TYPE CERAMIC CAPACITOR	CC725CH1H-102J1	1	342101024R1
C1722	CHIP TYPE CERAMIC CAPACITOR	CC725CH1H-102J1	1	342101024R1

C4169	CHIP TYPE CERAMIC CAPACITOR	CK725B1H-104K1	1	332101045R1
C4170	TF TYPE PLASTIC FILM CAPACITOR	ECQ-V50V-104J	1	374721044T
C4170 or	FILM C	C281H104J20A21A	(1)	376821044T
C4171	TF TYPE PLASTIC FILM CAPACITOR	ECQ-V50V-104J	1	374721044T
C4171 or	FILM C	C281H104J20A21A	(1)	376821044T
C4172	UTSP TYPE ELECTROLYTIC CAPACITOR	CE04W50V-10M(UTSP)	1	397581007AT
C4173	UTSP TYPE ELECTROLYTIC CAPACITOR	CE04W50V-10M(UTSP)	1	397581007AT
C4174	UTSP TYPE ELECTROLYTIC CAPACITOR	CE04W10V-220M(UTSP)	1	397532217AT
C4175	UTSP TYPE ELECTROLYTIC CAPACITOR	CE04W10V-220M(UTSP)	1	397532217AT
C4209	UTSP TYPE ELECTROLYTIC CAPACITOR	CE04W25V-47M(UTSP)	1	397554707AT
C4210	UTSP TYPE ELECTROLYTIC CAPACITOR	CE04W25V-47M(UTSP)	1	397554707AT
C4212	TF TYPE PLASTIC FILM CAPACITOR	ECQ-V50V-104J	1	374721044T
C4212 or	FILM C	C281H104J20A21A	(1)	376821044T
C4219	CHIP TYPE CERAMIC CAPACITOR	CC725CH1H-102J1	1	342101024R1
C4300	TF TYPE PLASTIC FILM CAPACITOR	ECQ-V50V-334J	1	374723344T
C4301	JAMICON TYPE ELECTROLYTIC CAPACITOR	CE04W35V-470M	1	398564717T
C4302	JAMICON TYPE ELECTROLYTIC CAPACITOR	CE04W35V-470M	1	398564717T
C4303	TF TYPE PLASTIC FILM CAPACITOR	ECQ-V50V-334J	1	374723344T
C4400	CHIP TYPE CERAMIC CAPACITOR	CK725B1H-102K1	1	332101025R1
C4401	CHIP TYPE CERAMIC CAPACITOR	CK725B1H-102K1	1	332101025R1
C5003	UPZ TYPE PLASTIC FILM CAPACITOR	2AUPZTF471JE	1	376334714T
C5004	UPZ TYPE PLASTIC FILM CAPACITOR	2AUPZTF471JE	1	376334714T
C5005	UPZ TYPE PLASTIC FILM CAPACITOR	2AUPZTF471JE	1	376334714T
C5006	UPZ TYPE PLASTIC FILM CAPACITOR	2AUPZTF471JE	1	376334714T
C5013	UTSP TYPE ELECTROLYTIC CAPACITOR	CE04W50V 47M(UTSP)	1	397584707AT
C5014	UTSP TYPE ELECTROLYTIC CAPACITOR	CE04W50V 47M(UTSP)	1	397584707AT
C5015	UTSP TYPE ELECTROLYTIC CAPACITOR	CE04W50V 47M(UTSP)	1	397584707AT
C5016	UTSP TYPE ELECTROLYTIC CAPACITOR	CE04W50V 47M(UTSP)	1	397584707AT
C5023	UTSP TYPE ELECTROLYTIC CAPACITOR	CE04W50V-10M(UTSP)	1	397581007AT
C5024	UTSP TYPE ELECTROLYTIC CAPACITOR	CE04W50V-10M(UTSP)	1	397581007AT
C5025	UTSP TYPE ELECTROLYTIC CAPACITOR	CE04W50V-10M(UTSP)	1	397581007AT
C5026	UTSP TYPE ELECTROLYTIC CAPACITOR	CE04W50V-10M(UTSP)	1	397581007AT
C5043	UTSP TYPE ELECTROLYTIC CAPACITOR	CE04W25V-220M(UTSP)	1	397552217T
C5044	UTSP TYPE ELECTROLYTIC CAPACITOR	CE04W25V-220M(UTSP)	1	397552217T
C5045	UTSP TYPE ELECTROLYTIC CAPACITOR	CE04W25V-220M(UTSP)	1	397552217T
C5046	UTSP TYPE ELECTROLYTIC CAPACITOR	CE04W25V-220M(UTSP)	1	397552217T
C5053	UTSP TYPE ELECTROLYTIC CAPACITOR	CE04W50V 47M(UTSP)	1	397584707AT
C5054	UTSP TYPE ELECTROLYTIC CAPACITOR	CE04W50V 47M(UTSP)	1	397584707AT
C5055	UTSP TYPE ELECTROLYTIC CAPACITOR	CE04W50V 47M(UTSP)	1	397584707AT
C5056	UTSP TYPE ELECTROLYTIC CAPACITOR	CE04W50V 47M(UTSP)	1	397584707AT
C5083	CERAMIC CAPACITOR	CC45SL50V-040C	1	345020401T
C5084	CERAMIC CAPACITOR	CC45SL50V-040C	1	345020401T
C5085	CERAMIC CAPACITOR	CC45SL50V-040C	1	345020401T
C5086	CERAMIC CAPACITOR	CC45SL50V-040C	1	345020401T
C5093	UPZ TYPE PLASTIC FILM CAPACITOR	2AUPZTF101JE	1	376331014T
C5094	UPZ TYPE PLASTIC FILM CAPACITOR	2AUPZTF101JE	1	376331014T
C5095	UPZ TYPE PLASTIC FILM CAPACITOR	2AUPZTF101JE	1	376331014T
C5096	UPZ TYPE PLASTIC FILM CAPACITOR	2AUPZTF101JE	1	376331014T
C5103	VR TYPE ELECTROLYTIC CAPACITOR	CE04W100V-22M(VR)	1	394692207T
C5104	VR TYPE ELECTROLYTIC CAPACITOR	CE04W100V-22M(VR)	1	394692207T
C5105	VR TYPE ELECTROLYTIC CAPACITOR	CE04W100V-22M(VR)	1	394692207T
C5106	VR TYPE ELECTROLYTIC CAPACITOR	CE04W100V-22M(VR)	1	394692207T
C5113	VR TYPE ELECTROLYTIC CAPACITOR	CE04W100V-22M(VR)	1	394692207T
C5114	VR TYPE ELECTROLYTIC CAPACITOR	CE04W100V-22M(VR)	1	394692207T
C5115	VR TYPE ELECTROLYTIC CAPACITOR	CE04W100V-22M(VR)	1	394692207T
C5116	VR TYPE ELECTROLYTIC CAPACITOR	CE04W100V-22M(VR)	1	394692207T
C6003	CHIP TYPE CERAMIC CAPACITOR	CK725B1H-103K1	1	332101035R1
C6004	CHIP TYPE CERAMIC CAPACITOR	CK725B1H-103K1	1	332101035R1
C6005	CHIP TYPE CERAMIC CAPACITOR	CK725B1H-103K1	1	332101035R1
C6006	CHIP TYPE CERAMIC CAPACITOR	CK725B1H-103K1	1	332101035R1
C6043	UTSP TYPE ELECTROLYTIC CAPACITOR	CE04W50V 47M(UTSP)	1	397584707AT
C6044	UTSP TYPE ELECTROLYTIC CAPACITOR	CE04W50V 47M(UTSP)	1	397584707AT
C6045	UTSP TYPE ELECTROLYTIC CAPACITOR	CE04W50V 47M(UTSP)	1	397584707AT
C6046	UTSP TYPE ELECTROLYTIC CAPACITOR	CE04W50V 47M(UTSP)	1	397584707AT
C6050	TF TYPE PLASTIC FILM CAPACITOR	ECQ-V50V-224J	1	374722244T
C6051	TF TYPE PLASTIC FILM CAPACITOR	ECQ-V50V-224J	1	374722244T
C6052	TF TYPE PLASTIC FILM CAPACITOR	ECQ-V50V-224J	1	374722244T

C6053	TF TYPE PLASTIC FILM CAPACITOR	ECQ-V50V-224J	1	374722244T	
C6054	TF TYPE PLASTIC FILM CAPACITOR	ECQ-V50V-224J	1	374722244T	
C6055	TF TYPE PLASTIC FILM CAPACITOR	ECQ-V50V-224J	1	374722244T	
C6056	TF TYPE PLASTIC FILM CAPACITOR	ECQ-V50V-224J	1	374722244T	
C6250	TF TYPE PLASTIC FILM CAPACITOR	ECQ-V50V-473J	1	374724734T	
C6251	TF TYPE PLASTIC FILM CAPACITOR	ECQ-V50V-473J	1	374724734T	
C6252	TF TYPE PLASTIC FILM CAPACITOR	ECQ-V50V-473J	1	374724734T	
C6253	TF TYPE PLASTIC FILM CAPACITOR	ECQ-V50V-473J	1	374724734T	
C6254	TF TYPE PLASTIC FILM CAPACITOR	ECQ-V50V-473J	1	374724734T	
C6255	TF TYPE PLASTIC FILM CAPACITOR	ECQ-V50V-473J	1	374724734T	
C6256	TF TYPE PLASTIC FILM CAPACITOR	ECQ-V50V-473J	1	374724734T	
C6301	CHIP TYPE CERAMIC CAPACITOR	CK725F1E-104Z1	1	332161040R1	
C6302	CHIP TYPE CERAMIC CAPACITOR	CK725F1E-104Z1	1	332161040R1	
C6401	ELECTROLYTIC CAPACITOR	CE69W63V-6800M	1	3504506	
C6401 or	ELECTROLYTIC CAPACITOR	CE69W63V-6800M	(1)	3504518	N
C6402	ELECTROLYTIC CAPACITOR	CE69W63V-6800M	1	3504506	
C6402 or	ELECTROLYTIC CAPACITOR	CE69W63V-6800M	(1)	3504518	N
C6403	TF TYPE PLASTIC FILM CAPACITOR	ECQ-V100V-334J	1	374733344T	
C6404	TF TYPE PLASTIC FILM CAPACITOR	ECQ-V100V-334J	1	374733344T	
C6411	CHIP TYPE CERAMIC CAPACITOR	CK725B1H-104K1	1	332101045R1	
C6451	UTSP TYPE ELECTROLYTIC CAPACITOR	CE04W25V-220M(UTSP)	1	397552217T	
C6452	CHIP TYPE CERAMIC CAPACITOR	CK725F1E-104Z1	1	332161040R1	
C6453	UTSP TYPE ELECTROLYTIC CAPACITOR	CE04W50V-1M(UTSP)	1	397580107AT	
C6454	CHIP TYPE CERAMIC CAPACITOR	CC725CH1H-101J1	1	342101014R1	
C6455	TF TYPE PLASTIC FILM CAPACITOR	ECQ-V50V-103J	1	374721034T	
C6456	UTSP TYPE ELECTROLYTIC CAPACITOR	CE04W50V-10M(UTSP)	1	397581007AT	
C6457	CHIP TYPE CERAMIC CAPACITOR	CK725F1A-105Z1	1	332181050R1	
C6459	CHIP TYPE CERAMIC CAPACITOR	CK725B1H-222K1	1	332102225R1	
C6600	CHIP TYPE CERAMIC CAPACITOR	CK725F1H-104Z1	1	332151040R1	
C6601	CHIP TYPE CERAMIC CAPACITOR	CK725F1H-104Z1	1	332151040R1	
C6602	CHIP TYPE CERAMIC CAPACITOR	CK725F1H-104Z1	1	332151040R1	
C6603	CHIP TYPE CERAMIC CAPACITOR	CK725F1H-104Z1	1	332151040R1	
C6650	UMXR TYPE PLASTIC FILM CAPACITOR	1JUMXRTF102JE	1	376591024T	
C6651	UMXR TYPE PLASTIC FILM CAPACITOR	1JUMXRTF102JE	1	376591024T	
C6652	UMXR TYPE PLASTIC FILM CAPACITOR	1JUMXRTF102JE	1	376591024T	
C6653	UMXR TYPE PLASTIC FILM CAPACITOR	1JUMXRTF102JE	1	376591024T	
C6654	UMXR TYPE PLASTIC FILM CAPACITOR	1JUMXRTF102JE	1	376591024T	
C6655	UMXR TYPE PLASTIC FILM CAPACITOR	1JUMXRTF102JE	1	376591024T	
C6656	UMXR TYPE PLASTIC FILM CAPACITOR	1JUMXRTF102JE	1	376591024T	
C6670	UMXR TYPE PLASTIC FILM CAPACITOR	1JUMXRTF102JE	1	376591024T	
C6671	UMXR TYPE PLASTIC FILM CAPACITOR	1JUMXRTF102JE	1	376591024T	
C7201	CHIP TYPE CERAMIC CAPACITOR	CC725CH1H-102J1	1	342101024R1	
C7202	CHIP TYPE CERAMIC CAPACITOR	CK725B1H-223K1	1	332102235R1	
C7203	UMXR TYPE PLASTIC FILM CAPACITOR	1JUMXRTF102JE	1	376591024T	
C7204	UMXR TYPE PLASTIC FILM CAPACITOR	1JUMXRTF102JE	1	376591024T	
[RESISTOR]					
R1700	CHIP TYPE CARBON RESISTOR	RN72K1J-153JE	1	435031534R1	
R1701	CHIP TYPE CARBON RESISTOR	RN72K1J-153JE	1	435031534R1	
R1702	CHIP TYPE CARBON RESISTOR	RN72K1J-153JE	1	435031534R1	
R1703	CHIP TYPE CARBON RESISTOR	RN72K1J-153JE	1	435031534R1	
R1704	CHIP TYPE CARBON RESISTOR	RN72K1J-153JE	1	435031534R1	
R1705	CHIP TYPE CARBON RESISTOR	RN72K1J-153JE	1	435031534R1	
R1706	CHIP TYPE CARBON RESISTOR	RN72K1J-153JE	1	435031534R1	
R1707	CHIP TYPE CARBON RESISTOR	RN72K1J-153JE	1	435031534R1	
R1710	CHIP TYPE CARBON RESISTOR	RN72K1J-153JE	1	435031534R1	
R1711	CHIP TYPE CARBON RESISTOR	RN72K1J-153JE	1	435031534R1	
R1712	CHIP TYPE CARBON RESISTOR	RN72K1J-153JE	1	435031534R1	
R1713	CHIP TYPE CARBON RESISTOR	RN72K1J-153JE	1	435031534R1	
R1714	CHIP TYPE CARBON RESISTOR	RN72K1J-153JE	1	435031534R1	
R1715	CHIP TYPE CARBON RESISTOR	RN72K1J-153JE	1	435031534R1	
R1716	CHIP TYPE CARBON RESISTOR	RN72K1J-153JE	1	435031534R1	
R1717	CHIP TYPE CARBON RESISTOR	RN72K1J-153JE	1	435031534R1	
R1720	CHIP TYPE CARBON RESISTOR	RN72K1J-471JE	1	435034714R1	
R1721	CHIP TYPE CARBON RESISTOR	RN72K1J-471JE	1	435034714R1	
R1722	CHIP TYPE CARBON RESISTOR	RN72K1J-471JE	1	435034714R1	
R1723	CHIP TYPE CARBON RESISTOR	RN72K1J-471JE	1	435034714R1	
R1724	CHIP TYPE CARBON RESISTOR	RN72K1J-471JE	1	435034714R1	

R4059	CHIP TYPE CARBON RESISTOR	RN72K1J-104JE	1	435031044R1
R4060	CHIP TYPE CARBON RESISTOR	RN72K1J-104JE	1	435031044R1
R4078	CHIP TYPE CARBON RESISTOR	RN72K1J-473JE	1	435034734R1
R4079	CHIP TYPE CARBON RESISTOR	RN72K1J-473JE	1	435034734R1
R4082	CHIP TYPE CARBON RESISTOR	RN72K1J-104JE	1	435031044R1
R4087	CHIP TYPE CARBON RESISTOR	RN72K1J-222JE	1	435032224R1
R4088	CHIP TYPE CARBON RESISTOR	RN72K1J-222JE	1	435032224R1
R4089	CHIP TYPE CARBON RESISTOR	RN72K1J-222JE	1	435032224R1
R4090	CHIP TYPE CARBON RESISTOR	RN72K1J-123JE	1	435031234R1
R4091	CHIP TYPE CARBON RESISTOR	RN72K1J-223JE	1	435032234R1
R4092	CHIP TYPE CARBON RESISTOR	RN72K1J-331JE	1	435033314R1
R4093	CHIP TYPE CARBON RESISTOR	RN72K1J-332JE	1	435033324R1
R4094	CHIP TYPE CARBON RESISTOR	RN72K1J-103JE	1	435031034R1
R4095	CHIP TYPE CARBON RESISTOR	RN72K1J-103JE	1	435031034R1
R4096	CHIP TYPE CARBON RESISTOR	RN72K1J-331JE	1	435033314R1
R4097	CHIP TYPE CARBON RESISTOR	RN72K1J-332JE	1	435033324R1
R4098	CHIP TYPE CARBON RESISTOR	RN72K1J-123JE	1	435031234R1
R4099	CHIP TYPE CARBON RESISTOR	RN72K1J-223JE	1	435032234R1
R4100	CHIP TYPE CARBON RESISTOR	RN72K1J-224JE	1	435032244R1
R4101	CHIP TYPE CARBON RESISTOR	RN72K1J-224JE	1	435032244R1
R4102	CHIP TYPE CARBON RESISTOR	RN72K1J-224JE	1	435032244R1
R4103	CHIP TYPE CARBON RESISTOR	RN72K1J-224JE	1	435032244R1
R4104	CHIP TYPE CARBON RESISTOR	RN72K1J-224JE	1	435032244R1
R4105	CHIP TYPE CARBON RESISTOR	RN72K1J-224JE	1	435032244R1
R4106	CHIP TYPE CARBON RESISTOR	RN72K1J-224JE	1	435032244R1
R4107	CHIP TYPE CARBON RESISTOR	RN72K1J-223JE	1	435032234R1
R4110	CHIP TYPE CARBON RESISTOR	RN72K1J-222JE	1	435032224R1
R4111	CHIP TYPE CARBON RESISTOR	RN72K1J-222JE	1	435032224R1
R4112	CHIP TYPE CARBON RESISTOR	RN72K1J-222JE	1	435032224R1
R4113	CHIP TYPE CARBON RESISTOR	RN72K1J-222JE	1	435032224R1
R4114	CHIP TYPE CARBON RESISTOR	RN72K1J-222JE	1	435032224R1
R4115	CHIP TYPE CARBON RESISTOR	RN72K1J-222JE	1	435032224R1
R4116	CHIP TYPE CARBON RESISTOR	RN72K1J-222JE	1	435032224R1
R4117	CHIP TYPE CARBON RESISTOR	RN72K1J-271JE	1	435032714R1
R4127	CHIP TYPE CARBON RESISTOR	RN72K1J-101JE	1	435031014R1
R4130	CHIP TYPE CARBON RESISTOR	RN72K1J-221JE	1	435032214R1
R4131	CHIP TYPE CARBON RESISTOR	RN72K1J-473JE	1	435034734R1
R4132	CHIP TYPE CARBON RESISTOR	RN72K1J-153JE	1	435031534R1
R4133	CHIP TYPE CARBON RESISTOR	RN72K1J-122JE	1	435031224R1
R4134	CHIP TYPE CARBON RESISTOR	RN72K1J-103JE	1	435031034R1
R4150	CHIP TYPE CARBON RESISTOR	RN72K1J-000JE	1	435030004R1
R4151	CHIP TYPE CARBON RESISTOR	RN72K1J-000JE	1	435030004R1
R4152	CHIP TYPE CARBON RESISTOR	RN72K1J-000JE	1	435030004R1
R4153	CHIP TYPE CARBON RESISTOR	RN72K1J-000JE	1	435030004R1
R4154	CHIP TYPE CARBON RESISTOR	RN72K1J-000JE	1	435030004R1
R4155	CHIP TYPE CARBON RESISTOR	RN72K1J-000JE	1	435030004R1
R4156	CHIP TYPE CARBON RESISTOR	RN72K1J-000JE	1	435030004R1
R4160	METAL RESISTOR	RNU1/2WCJ-0.1	1	453531094T
R4161	METAL RESISTOR	RNU1/2WCJ-0.1	1	453531094T
R4174	METAL OXIDE FILM RESISTOR	RS1WBJ-68	1	443626804T
R4175	METAL OXIDE FILM RESISTOR	RS1WBJ-68	1	443626804T
R4176	METAL OXIDE FILM RESISTOR	RS1WBJ-68	1	443626804T
R4177	METAL OXIDE FILM RESISTOR	RS1WBJ-68	1	443626804T
R4181	CHIP TYPE CARBON RESISTOR	RN72K1J-224JE	1	435032244R1
R4185	METAL RESISTOR	RNU1WCJ-0.22	1	453632294T
R4187	METAL RESISTOR	RNU1WCJ-0.22	1	453632294T
R4189	CHIP TYPE CARBON RESISTOR	RN72K1J-224JE	1	435032244R1
R4190	CHIP TYPE CARBON RESISTOR	RN72K1J-224JE	1	435032244R1
R4211	CHIP TYPE CARBON RESISTOR	RN72K1J-102JE	1	435031024R1
R4292	CHIP TYPE CARBON RESISTOR	RN72K1J-224JE	1	435032244R1
R4293	CHIP TYPE CARBON RESISTOR	RN72K1J-224JE	1	435032244R1
R4294	CHIP TYPE CARBON RESISTOR	RN72K1J-224JE	1	435032244R1
R4295	CHIP TYPE CARBON RESISTOR	RN72K1J-224JE	1	435032244R1
R4296	CHIP TYPE CARBON RESISTOR	RN72K1J-224JE	1	435032244R1
R4400	CHIP TYPE CARBON RESISTOR	RN72K1J-102JE	1	435031024R1
R4401	CHIP TYPE CARBON RESISTOR	RN72K1J-102JE	1	435031024R1
R4402	CHIP TYPE CARBON RESISTOR	RN72K1J-224JE	1	435032244R1

R6225	CHIP TYPE CARBON RESISTOR	RN72K1J-220FE	1	435032202R1
R6226	CHIP TYPE CARBON RESISTOR	RN72K1J-220FE	1	435032202R1
R6230	CHIP TYPE CARBON RESISTOR	RN72K1J-000JE	1	435030004R1
R6231	CHIP TYPE CARBON RESISTOR	RN72K1J-000JE	1	435030004R1
R6232	CHIP TYPE CARBON RESISTOR	RN72K1J-000JE	1	435030004R1
R6233	CHIP TYPE CARBON RESISTOR	RN72K1J-000JE	1	435030004R1
R6234	CHIP TYPE CARBON RESISTOR	RN72K1J-000JE	1	435030004R1
R6235	CHIP TYPE CARBON RESISTOR	RN72K1J-000JE	1	435030004R1
R6236	CHIP TYPE CARBON RESISTOR	RN72K1J-000JE	1	435030004R1
R6240	CHIP TYPE CARBON RESISTOR	RN72K1J-472FE	1	435034722R1
R6241	CHIP TYPE CARBON RESISTOR	RN72K1J-472FE	1	435034722R1
R6242	CHIP TYPE CARBON RESISTOR	RN72K1J-472FE	1	435034722R1
R6243	CHIP TYPE CARBON RESISTOR	RN72K1J-472FE	1	435034722R1
R6244	CHIP TYPE CARBON RESISTOR	RN72K1J-472FE	1	435034722R1
R6245	CHIP TYPE CARBON RESISTOR	RN72K1J-472FE	1	435034722R1
R6246	CHIP TYPE CARBON RESISTOR	RN72K1J-472FE	1	435034722R1
R6250	CHIP TYPE CARBON RESISTOR	RN72K1J-000JE	1	435030004R1
R6251	CHIP TYPE CARBON RESISTOR	RN72K1J-000JE	1	435030004R1
R6252	CHIP TYPE CARBON RESISTOR	RN72K1J-000JE	1	435030004R1
R6253	CHIP TYPE CARBON RESISTOR	RN72K1J-000JE	1	435030004R1
R6254	CHIP TYPE CARBON RESISTOR	RN72K1J-000JE	1	435030004R1
R6255	CHIP TYPE CARBON RESISTOR	RN72K1J-000JE	1	435030004R1
R6256	CHIP TYPE CARBON RESISTOR	RN72K1J-000JE	1	435030004R1
R6292	CHIP TYPE CARBON RESISTOR	RN72K1J-000JE	1	435030004R1
R6293	CHIP TYPE CARBON RESISTOR	RN72K1J-000JE	1	435030004R1
R6294	CHIP TYPE CARBON RESISTOR	RN72K1J-000JE	1	435030004R1
R6295	CHIP TYPE CARBON RESISTOR	RN72K1J-000JE	1	435030004R1
R6402	CHIP TYPE CARBON RESISTOR	RN72K1J-102JE	1	435031024R1
R6403	CHIP TYPE CARBON RESISTOR	RN72K1J-473JE	1	435034734R1
R6440	METAL RESISTOR	RNU1WCJ-8.2	1	453630824T
R6441	METAL RESISTOR	RNU1WCJ-8.2	1	453630824T
R6442	METAL RESISTOR	RNU1WCJ-8.2	1	453630824T
R6443	METAL RESISTOR	RNU1WCJ-8.2	1	453630824T
R6444	METAL RESISTOR	RNU1WCJ-8.2	1	453630824T
R6445	METAL RESISTOR	RNU1WCJ-8.2	1	453630824T
R6446	METAL RESISTOR	RNU1WCJ-8.2	1	453630824T
R6451	CHIP TYPE CARBON RESISTOR	RN72K1J-333JE	1	435033334R1
R6452	CHIP TYPE CARBON RESISTOR	RN72K1J-103JE	1	435031034R1
R6453	CHIP TYPE CARBON RESISTOR	RN72K1J-223JE	1	435032234R1
R6454	CHIP TYPE CARBON RESISTOR	RN72K1J-473JE	1	435034734R1
R6455	CHIP TYPE CARBON RESISTOR	RN72K1J-103JE	1	435031034R1
R6456	CHIP TYPE CARBON RESISTOR	RN72K1J-224JE	1	435032244R1
R6457	CHIP TYPE CARBON RESISTOR	RN72K1J-223JE	1	435032234R1
R6458	CHIP TYPE CARBON RESISTOR	RN72K1J-562JE	1	435035624R1
R6459	CHIP TYPE CARBON RESISTOR	RN72K1J-562JE	1	435035624R1
R6460	CHIP TYPE CARBON RESISTOR	RN72K1J-333JE	1	435033334R1
R6461	CHIP TYPE CARBON RESISTOR	RN72K1J-223JE	1	435032234R1
R6462	CHIP TYPE CARBON RESISTOR	RN72K1J-333JE	1	435033334R1
R6463	CHIP TYPE CARBON RESISTOR	RN72K1J-223JE	1	435032234R1
R6464	CHIP TYPE CARBON RESISTOR	RN72K1J-222JE	1	435032224R1
R6465	CHIP TYPE CARBON RESISTOR	RN72K1J-473JE	1	435034734R1
R6690	METAL RESISTOR	RNU1/2WCJ-4.7	1	453530474T
R6691	METAL OXIDE FILM RESISTOR	RS1/2WBJ-390	1	443523914T
R6692	METAL OXIDE FILM RESISTOR	RS1/2WBJ-390	1	443523914T
R6693	CHIP TYPE CARBON RESISTOR	RN72K1J-000JE	1	435030004R1

[SW TRM]

F6401A	FUSE HOLDER	NSCT-1P2031	1	25052133T	!
F6401B	FUSE HOLDER	NSCT-1P2031	1	25052133T	!
F6402A	FUSE HOLDER	NSCT-1P2031	1	25052133T	!
F6402B	FUSE HOLDER	NSCT-1P2031	1	25052133T	!
P101B	SOCKET	NSCT-7P2100	1	25052203	
P4001	PIN JACK	NPJ-4PDWR690	1	25045922	
P4002	PIN JACK	NPJ-2PDWR558	1	25045776	
P4003	PIN JACK	NPJ-2PDWR558	1	25045776	
P4004	PIN JACK	NPJ-2PDWR558	1	25045776	
P4005	PIN JACK	NPJ-2PDWR558	1	25045776	
P4011	PIN JACK	NPJ-1PDP555	1	25045773	

P501	WIRE HARNESS ASSEMBLY	NSAS-3P2094	1	2009991283UL	
P501A	WIRE HOL	NSCT-3P874	1	25051087	
P501Aor	WIRE HOL	CHD-1.5-3	(1)	25053535	
P5506B	RETAINER	(TRM)	1	25060507	
P5509A	RETAINER	(TRM)	1	25060507	
P6000B	PLUG	NPLG-9P0964	1	25056014	
P6001B	PLUG	NPLG-9P0964	1	25056014	
P6002B	PLUG	NPLG-9P0964	1	25056014	
P6003A	WIRE HOL	NSCT-9P900	1	25051113	
P6003Aor	WIRE HOL	CHD-2.5-9	(1)	25053543	
P6003B	WIRE HOL	NSCT-9P900	1	25051113	
P6003Bor	WIRE HOL	CHD-2.5-9	(1)	25053543	
P6005A	WIRE HOL	NSCT-5P896	1	25051109	
P6005Aor	WIRE HOL	CHD-2.5-5	(1)	25053541	
P6005B	WIRE HOL	NSCT-5P896	1	25051109	
P6005Bor	WIRE HOL	CHD-2.5-5	(1)	25053541	
P6080	PLUG	NPLG-2P29	1	25055038	
P6081	PLUG	NPLG-2P29	1	25055038	
P6082	PLUG	NPLG-2P29	1	25055038	
P6083	PLUG	NPLG-2P29	1	25055038	
P6084	PLUG	NPLG-2P29	1	25055038	
P6085	PLUG	NPLG-2P29	1	25055038	
P6086	PLUG	NPLG-2P29	1	25055038	
P6104	HOLDER	HOLDER(CLAMP)	1	27190540-1	
P6201	PLUG	NPLG-5P152	1	25055168	
P6400A	CRIMP CORD ASSEMBLY	CLIMP AS	1	2069925080UL	
P6401A	CRIMP CORD ASSEMBLY	CRIMP AS	1	2069925142UL	
P6402A	CRIMP CORD ASSEMBLY	CRIMP AS	1	2069925226UL	
P6600A	WIRE HOL	NSCT-7P898	1	25051111	
P6600Aor	WIRE HOL	CHD-2.5-7	(1)	25053542	
P6600B	WIRE HOL	NSCT-7P898	1	25051111	
P6600Bor	WIRE HOL	CHD-2.5-7	(1)	25053542	
P6601	TERMINAL	NTM-4PDMNRR414	1	25060486	
P6602	TERMINAL	NTM-4PDMLR446	1	25060525	N
P6605A	WIRE HOL	NSCT-5P876	1	25051089	
P6605Aor	WIRE HOL	CHD-1.5-5	(1)	25053536	
P6605B	WIRE HOL	NSCT-5P876	1	25051089	
P6605Bor	WIRE HOL	CHD-1.5-5	(1)	25053536	
P6606	TERMINAL	NTM-10PDMLR444	1	25060523	N
P7003B	PLUG	NPLG-7P135	1	25055151	
P7201	ST JACK	MSJ-064-05A SR	1	25045783	
P7202	TRM-423(SCREW)	NEJITANSI ST3	1	25060495	
P8001B	SOCKET	NSCT-23P2414	1	25052517	
P8002B	SOCKET	NSCT-17P2408	1	25052511	
RL6430	RELAY	NRL-1P10A-DC12-196	1	25065707	
RL6440	RELAY	NRL-1P10A-DC12-196	1	25065707	
RL6600	RELAY	NRL-2P5A-DC24-129	1	25065563A	
RL6601	RELAY	NRL-2P5A-DC24-129	1	25065563A	
RL6602	RELAY	NRL-2P5A-DC24-129	1	25065563A	
RL6603	RELAY	NRL-2P5A-DC24-129	1	25065563A	
RL6604	RELAY	NRL-2P5A-DC24-129	1	25065563A	

U002

BADIS-1732-1A

: NSP

CIRCUIT NC	PART NAME	DESCRIPTION	Q'TY	PART NO. (SN)	REMARKS
[SEMI CONDUCTOR]					
D2041	CHIP TYPE DIODE	DA2J10100	1	223303R2	
D2041 or	CHIP TYPE DIODE	1SS352	(1)	223234R2	
D2042	CHIP TYPE DIODE	DA2J10100	1	223303R2	
D2042 or	CHIP TYPE DIODE	1SS352	(1)	223234R2	
D2101	CHIP TYPE DIODE	DA2J10100	1	223303R2	
D2101 or	CHIP TYPE DIODE	1SS352	(1)	223234R2	
D2102	CHIP TYPE DIODE	DA2J10100	1	223303R2	
D2102 or	CHIP TYPE DIODE	1SS352	(1)	223234R2	

D2103	CHIP TYPE DIODE	DA2J10100	1	223303R2	
D2103 or	CHIP TYPE DIODE	1SS352	(1)	223234R2	
D2104	CHIP TYPE DIODE	DA2J10100	1	223303R2	
D2104 or	CHIP TYPE DIODE	1SS352	(1)	223234R2	
D2301	DIODE	G10XB80-02-60A-T16	1	22380378F	
D2302	CHIP TYPE DIODE	DA2J10100	1	223303R2	
D2302 or	CHIP TYPE DIODE	1SS352	(1)	223234R2	
D2303	CHIP TYPE DIODE	DA2J10100	1	223303R2	
D2303 or	CHIP TYPE DIODE	1SS352	(1)	223234R2	
D2304	ZENER DIODE	DZ2J062M0L	1	224760620R2	
D2304 or	ZENER DIODE	UDZS6.2B	(1)	224550620R2	
D2305	DIODE	RB050M-30GTR	1	22380373R2	
D5000	ZENER DIODE	DZ2J056M0L	1	224760560R2	
D5000 or	ZENER DIODE	UDZS5.6B	(1)	224550560R2	
D5001	ZENER DIODE	DZ2J056M0L	1	224760560R2	
D5001 or	ZENER DIODE	UDZS5.6B	(1)	224550560R2	
D5002	ZENER DIODE	DZ2J056M0L	1	224760560R2	
D5002 or	ZENER DIODE	UDZS5.6B	(1)	224550560R2	
D7502	ZENER DIODE	DZ2J082M0L	1	224760820R2	
D7502 or	ZENER DIODE	UDZS8.2B	(1)	224550820R2	
D7533	ZENER DIODE	DZ2J039M0L	1	224760390R2	
D7533 or	ZENER DIODE	UDZS3.9B	(1)	224550390R2	
D7560	LED	SCB3318E-D2	1	225487	
D7560A	HOLDER	(LED)LH-5-5	1	27191312	
D7561	LED	SCB3318E-D2	1	225487	
D7561A	HOLDER	(LED)LH-5-5	1	27191312	
D7711	CHIP TYPE DIODE	DA2J10100	1	223303R2	
D7711 or	CHIP TYPE DIODE	1SS352	(1)	223234R2	
D7712	CHIP TYPE DIODE	DA2J10100	1	223303R2	
D7712 or	CHIP TYPE DIODE	1SS352	(1)	223234R2	
D7801	ZENER DIODE	DZ2J051M0L	1	224760510R2	
D7801 or	ZENER DIODE	UDZS5.1B	(1)	224550510R2	
D7811	ZENER DIODE	DZ2J068M0L	1	224760680R2	
D7811 or	ZENER DIODE	UDZS6.8B	(1)	224550680R2	
D7812	ZENER DIODE	DZ2J068M0L	1	224760680R2	
D7812 or	ZENER DIODE	UDZS6.8B	(1)	224550680R2	
D7960	DIODE	RL1N4003	1	22380260T	
D7961	DIODE	RL1N4003	1	22380260T	
D7962	ZENER DIODE	DZ2J360M0L	1	224763600R2	
D7962 or	ZENER DIODE	UDZS36B	(1)	224553600R2	
D9011	CHIP TYPE DIODE	DA2J10100	1	223303R2	
D9011 or	CHIP TYPE DIODE	1SS352	(1)	223234R2	
D9012	CHIP TYPE DIODE	DA2J10100	1	223303R2	
D9012 or	CHIP TYPE DIODE	1SS352	(1)	223234R2	
D9021	CHIP TYPE DIODE	DA2J10100	1	223303R2	
D9021 or	CHIP TYPE DIODE	1SS352	(1)	223234R2	
D9022	CHIP TYPE DIODE	DA2J10100	1	223303R2	
D9022 or	CHIP TYPE DIODE	1SS352	(1)	223234R2	
D9023	CHIP TYPE DIODE	DA2J10100	1	223303R2	
D9023 or	CHIP TYPE DIODE	1SS352	(1)	223234R2	
D9024	CHIP TYPE DIODE	DA2J10100	1	223303R2	
D9024 or	CHIP TYPE DIODE	1SS352	(1)	223234R2	
D9025	CHIP TYPE DIODE	DA2J10100	1	223303R2	
D9025 or	CHIP TYPE DIODE	1SS352	(1)	223234R2	
D9030	CHIP TYPE DIODE	DA2J10100	1	223303R2	
D9030 or	CHIP TYPE DIODE	1SS352	(1)	223234R2	
D9031	CHIP TYPE DIODE	DA2J10100	1	223303R2	
D9031 or	CHIP TYPE DIODE	1SS352	(1)	223234R2	
D9034	ZENER DIODE	UDZS5.1B	1	224550510R2	
D9034 or	ZENER DIODE	DZ2J051M0L	(1)	224760510R2	
D9041	CHIP TYPE DIODE	DA2J10100	1	223303R2	
D9041 or	CHIP TYPE DIODE	1SS352	(1)	223234R2	
D9042	CHIP TYPE DIODE	DA2J10100	1	223303R2	
D9042 or	CHIP TYPE DIODE	1SS352	(1)	223234R2	
Q1	HYBRID IC	RZ5B801-0001E2	1	22242835R2	
Q2001	HYBRID IC	NJM41041VC3-TE1	1	22242931R2	N
Q2002	HYBRID IC	74VHC4053AFT	1	22274053ER2TO	N

Q2003	HYBRID IC	74VHC4051AFT	1	22274051ER2TO	N
Q2021	PHOTO COUPLER	JSR1165-001recieving	1	24120143	
Q2022	PHOTO COUPLER	JSR1165-001recieving	1	24120143	
Q2051	HYBRID IC	TC74HCU04AF	1	222740046R2TO	
Q5000	TRANSISTOR	2SC2713-BL	1	2213136R2	
Q5001	TRANSISTOR	2SC2713-BL	1	2213136R2	
Q5002	TRANSISTOR	2SC2713-BL	1	2213136R2	
Q5010	TRANSISTOR	2SC2713-BL	1	2213136R2	
Q5011	TRANSISTOR	2SC2713-BL	1	2213136R2	
Q5012	TRANSISTOR	2SC2713-BL	1	2213136R2	
Q5030	TRANSISTOR	INA6006AP1-T111	1	2217980R2	
Q5031	TRANSISTOR	INA6006AP1-T111	1	2217980R2	
Q5032	TRANSISTOR	INA6006AP1-T111	1	2217980R2	
Q5040	TRANSISTOR	INC6006AP1-T111	1	2217990R2	
Q5041	TRANSISTOR	INC6006AP1-T111	1	2217990R2	
Q5042	TRANSISTOR	INC6006AP1-T111	1	2217990R2	
Q5050	TRANSISTOR	2SC2412K-R	1	2214653R2	
Q5051	TRANSISTOR	2SC2412K-R	1	2214653R2	
Q5052	TRANSISTOR	2SC2412K-R	1	2214653R2	
Q6010	TRANSISTOR	2SC2713-BL	1	2213136R2	
Q6011	TRANSISTOR	2SC2713-BL	1	2213136R2	
Q6012	TRANSISTOR	2SC2713-BL	1	2213136R2	
Q6020	TRANSISTOR	2SA1163-BL	1	2216756R2	
Q6021	TRANSISTOR	2SA1163-BL	1	2216756R2	
Q6022	TRANSISTOR	2SA1163-BL	1	2216756R2	
Q6030	TRANSISTOR	TTC004B_Q(S)	1	2218022	
Q6031	TRANSISTOR	TTC004B_Q(S)	1	2218022	
Q6032	TRANSISTOR	TTC004B_Q(S)	1	2218022	
Q6040	TRANSISTOR	TTA004B_Q(S)	1	2218012	
Q6041	TRANSISTOR	TTA004B_Q(S)	1	2218012	
Q6042	TRANSISTOR	TTA004B_Q(S)	1	2218012	
Q7501	HYBRID IC	ML9208A-13GA	1	22242772R3	
Q7502	FLUORESCENT TUBE	16-BT-168GNK	1	212279	
Q7502A	HOLDER	(FL)	1	27191222C	
Q7503	TRANSISTOR	KTC3875-GR	1	2216175R2	
Q7503 or	TRANSISTOR	2SC2712-GR	(1)	2213145R2	
Q7504	TRANSISTOR	KTC3875-GR	1	2216175R2	
Q7504 or	TRANSISTOR	2SC2712-GR	(1)	2213145R2	
Q7533	TRANSISTOR	KTC3875-GR	1	2216175R2	
Q7533 or	TRANSISTOR	2SC2712-GR	(1)	2213145R2	
Q7541	REMOTE SENSOR	IRM-3638M3S28	1	24130026	
Q7653	TRANSISTOR	DTC123JKA	1	2216690R2	
Q7655	TRANSISTOR	DTC123JKA	1	2216690R2	
Q7801	HYBRID IC	NJM4580CG	1	22242922R2	
Q7803	TRANSISTOR	RTAN430C-T112-1	1	2217780R2	
Q7807	TRANSISTOR	KRA102S	1	2216220R2	
Q7808	TRANSISTOR	KRC102S	1	2216190R2	
Q7960	TRANSISTOR	KTA1661-Y	1	2217864R2	
Q7960 or	TRANSISTOR	INA5001AP1-T111	(1)	2218030R2	
Q7961	TRANSISTOR	2SC2712-GR	1	2213145R2	
Q7962	TRANSISTOR	KRA102S	1	2216220R2	
Q9011	TRANSISTOR	KRC105S	1	2217290R2	
Q9011 or	TRANSISTOR	RN1405	(1)	2214500R2	
Q9011 or	TRANSISTOR	DTC123JKA	(1)	2216690R2	
[TRANS COIL]					
L1	CHIP TYPE CARBON RESISTOR	RN72K1J-000JE	1	435030004R1	
L2	CHIP TYPE CARBON RESISTOR	RN72K1J-000JE	1	435030004R1	
L2000	CHOKE COIL	LBC2518T2R2M	1	231364M022R2	
L2001	CHOKE COIL	LBC2518T470M	1	231364M470R2	
L2052	CHOKE COIL	LBC2518T470M	1	231364M470R2	
L2053	EMI SUPPRESSION FILTER	BK1608HS102-T	1	230955R2	
L3	RF COIL	SDCL1608CR33JTDF	1	233557R1	
L3 or	RF COIL	HK1608R33J-T	(1)	233559R1	
L4	RF COIL	SDCL1608CR10JTDF	1	233556R1	
L4 or	RF COIL	HK1608R10J-T	(1)	233558R1	
L5	ANTENNA COIL	K7-D	1	232212	
L7532	CHOKE COIL	LBC2518T2R2M	1	231364M022R2	

T9002	POWER TRANSFORMER	NPT-1520JQ	1	2301812A	!
X1	CRYSTAL	HC-49S 9B12.000MHz	1	3010533	
[CAPACITOR]					
C1	CHIP TYPE CERAMIC CAPACITOR	CC725CH1H-101J1	1	342101014R1	
C12	CHIP TYPE CERAMIC CAPACITOR	CC725CH1H-090D1	1	342100902R1	
C13	CHIP TYPE CERAMIC CAPACITOR	CK725B1C-104K1	1	332121045R1	
C2	CHIP TYPE CERAMIC CAPACITOR	CC725CH1H-220J1	1	342102204R1	
C2001	CHIP TYPE CERAMIC CAPACITOR	CK725F1E-104Z1	1	332161040R1	
C2012	CHIP TYPE CERAMIC CAPACITOR	CK725F1E-104Z1	1	332161040R1	
C2015	CHIP TYPE CERAMIC CAPACITOR	CK725F1E-104Z1	1	332161040R1	
C2021	CHIP TYPE CERAMIC CAPACITOR	CK725F1E-104Z1	1	332161040R1	
C2022	CHIP TYPE CERAMIC CAPACITOR	CK725F1E-104Z1	1	332161040R1	
C2031	CHIP TYPE CERAMIC CAPACITOR	CC725CH1H-330J1	1	342103304R1	
C2032	CHIP TYPE CERAMIC CAPACITOR	CC725CH1H-330J1	1	342103304R1	
C2041	CHIP TYPE CERAMIC CAPACITOR	CK725F1E-104Z1	1	332161040R1	
C2052	CHIP TYPE CERAMIC CAPACITOR	CK725B1C-104K1	1	332121045R1	
C2053	CHIP TYPE CERAMIC CAPACITOR	CC725CH1H-080D1	1	342100802R1	
C2054	CHIP TYPE CERAMIC CAPACITOR	CK725F1E-104Z1	1	332161040R1	
C2055	UTSP TYPE ELECTROLYTIC CAPACITOR	CE04W25V-220M(UTSP)	1	397552217T	
C2101	JAMICON TYPE ELECTROLYTIC CAPACITOR	CE04W50V-2.2M	1	398580227T	
C2102	JAMICON TYPE ELECTROLYTIC CAPACITOR	CE04W50V-2.2M	1	398580227T	
C2110	JAMICON TYPE ELECTROLYTIC CAPACITOR	CE04W50V-2.2M	1	398580227T	
C2110 or	VR TYPE ELECTROLYTIC CAPACITOR	CE04W50V-2.2M(VR)	(1)	394680227T	
C2111	JAMICON TYPE ELECTROLYTIC CAPACITOR	CE04W50V-2.2M	1	398580227T	
C2111 or	VR TYPE ELECTROLYTIC CAPACITOR	CE04W50V-2.2M(VR)	(1)	394680227T	
C2112	JAMICON TYPE ELECTROLYTIC CAPACITOR	CE04W50V-2.2M	1	398580227T	
C2112 or	VR TYPE ELECTROLYTIC CAPACITOR	CE04W50V-2.2M(VR)	(1)	394680227T	
C2113	CHIP TYPE CERAMIC CAPACITOR	CK725B1H-102K1	1	332101025R1	
C2114	CHIP TYPE CERAMIC CAPACITOR	CK725B1H-102K1	1	332101025R1	
C2117	JAMICON TYPE ELECTROLYTIC CAPACITOR	CE04W50V-2.2M	1	398580227T	
C2118	JAMICON TYPE ELECTROLYTIC CAPACITOR	CE04W50V-2.2M	1	398580227T	
C2119	JAMICON TYPE ELECTROLYTIC CAPACITOR	CE04W50V-2.2M	1	398580227T	
C2200	CHIP TYPE CERAMIC CAPACITOR	CC725CH1H-102J1	1	342101024R1	
C2201	CHIP TYPE CERAMIC CAPACITOR	CC725CH1H-102J1	1	342101024R1	
C2203	JAMICON TYPE ELECTROLYTIC CAPACITOR	CE04W50V-2.2M	1	398580227T	
C2205	CHIP TYPE CERAMIC CAPACITOR	CK725B1H-102K1	1	332101025R1	
C2206	CHIP TYPE CERAMIC CAPACITOR	CK725B1H-102K1	1	332101025R1	
C2207	CHIP TYPE CERAMIC CAPACITOR	CK725B1H-102K1	1	332101025R1	
C2208	CHIP TYPE CERAMIC CAPACITOR	CK725B1H-102K1	1	332101025R1	
C2215	CHIP TYPE CERAMIC CAPACITOR	CK725B1H-103K1	1	332101035R1	
C2216	CHIP TYPE CERAMIC CAPACITOR	CK725B1H-103K1	1	332101035R1	
C2301	VR TYPE ELECTROLYTIC CAPACITOR	CE04W25V-4700M(VR)	1	394654727S	
C2301 or	JAMICON TYPE ELECTROLYTIC CAPACITOR	CE04W25V-4700M	(1)	398554727S	
C2302	JAMICON TYPE ELECTROLYTIC CAPACITOR	CE04W50V-4.7M	1	398580477T	
C2302 or	VR TYPE ELECTROLYTIC CAPACITOR	CE04W50V-4.7M(VR)	(1)	394680477T	
C2303	TF TYPE PLASTIC FILM CAPACITOR	ECQ-V50V-334J	1	374723344T	
C2307	UTSP TYPE ELECTROLYTIC CAPACITOR	CE04W10V-220M(UTSP)	1	397532217AT	
C2356	CHIP TYPE CERAMIC CAPACITOR	CK725F1E-104Z1	1	332161040R1	
C3	CHIP TYPE CERAMIC CAPACITOR	CK725B1H-332K1	1	332103325R1	
C4	CHIP TYPE CERAMIC CAPACITOR	CC725CH1H-100D1	1	342101002R1	
C5	CHIP TYPE CERAMIC CAPACITOR	CK725B1H-473K1	1	332104735R1	
C5000	UPZ TYPE PLASTIC FILM CAPACITOR	2AUPZTF471JE	1	376334714T	
C5001	UPZ TYPE PLASTIC FILM CAPACITOR	2AUPZTF471JE	1	376334714T	
C5002	UPZ TYPE PLASTIC FILM CAPACITOR	2AUPZTF471JE	1	376334714T	
C5010	UTSP TYPE ELECTROLYTIC CAPACITOR	CE04W50V 47M(UTSP)	1	397584707AT	
C5011	UTSP TYPE ELECTROLYTIC CAPACITOR	CE04W50V 47M(UTSP)	1	397584707AT	
C5012	UTSP TYPE ELECTROLYTIC CAPACITOR	CE04W50V 47M(UTSP)	1	397584707AT	
C5020	UTSP TYPE ELECTROLYTIC CAPACITOR	CE04W50V-10M(UTSP)	1	397581007AT	
C5021	UTSP TYPE ELECTROLYTIC CAPACITOR	CE04W50V-10M(UTSP)	1	397581007AT	
C5022	UTSP TYPE ELECTROLYTIC CAPACITOR	CE04W50V-10M(UTSP)	1	397581007AT	
C5040	UTSP TYPE ELECTROLYTIC CAPACITOR	CE04W25V-220M(UTSP)	1	397552217T	
C5041	UTSP TYPE ELECTROLYTIC CAPACITOR	CE04W25V-220M(UTSP)	1	397552217T	
C5042	UTSP TYPE ELECTROLYTIC CAPACITOR	CE04W25V-220M(UTSP)	1	397552217T	
C5050	UTSP TYPE ELECTROLYTIC CAPACITOR	CE04W50V 47M(UTSP)	1	397584707AT	
C5051	UTSP TYPE ELECTROLYTIC CAPACITOR	CE04W50V 47M(UTSP)	1	397584707AT	
C5052	UTSP TYPE ELECTROLYTIC CAPACITOR	CE04W50V 47M(UTSP)	1	397584707AT	
C5080	CERAMIC CAPACITOR	CC45SL50V-040C	1	345020401T	

C5081	CERAMIC CAPACITOR	CC45SL50V-040C	1	345020401T
C5082	CERAMIC CAPACITOR	CC45SL50V-040C	1	345020401T
C5090	UPZ TYPE PLASTIC FILM CAPACITOR	2AUPZTF101JE	1	376331014T
C5091	UPZ TYPE PLASTIC FILM CAPACITOR	2AUPZTF101JE	1	376331014T
C5092	UPZ TYPE PLASTIC FILM CAPACITOR	2AUPZTF101JE	1	376331014T
C5100	VR TYPE ELECTROLYTIC CAPACITOR	CE04W100V-22M(VR)	1	394692207T
C5101	VR TYPE ELECTROLYTIC CAPACITOR	CE04W100V-22M(VR)	1	394692207T
C5102	VR TYPE ELECTROLYTIC CAPACITOR	CE04W100V-22M(VR)	1	394692207T
C5110	VR TYPE ELECTROLYTIC CAPACITOR	CE04W100V-22M(VR)	1	394692207T
C5111	VR TYPE ELECTROLYTIC CAPACITOR	CE04W100V-22M(VR)	1	394692207T
C5112	VR TYPE ELECTROLYTIC CAPACITOR	CE04W100V-22M(VR)	1	394692207T
C6	CHIP TYPE CERAMIC CAPACITOR	CK725B1H-222K1	1	332102225R1
C6000	TF TYPE PLASTIC FILM CAPACITOR	ECQ-V50V-103J	1	374721034T
C6001	TF TYPE PLASTIC FILM CAPACITOR	ECQ-V50V-103J	1	374721034T
C6002	TF TYPE PLASTIC FILM CAPACITOR	ECQ-V50V-103J	1	374721034T
C6040	UTSP TYPE ELECTROLYTIC CAPACITOR	CE04W50V 47M(UTSP)	1	397584707AT
C6041	UTSP TYPE ELECTROLYTIC CAPACITOR	CE04W50V 47M(UTSP)	1	397584707AT
C6042	UTSP TYPE ELECTROLYTIC CAPACITOR	CE04W50V 47M(UTSP)	1	397584707AT
C7	CHIP TYPE CERAMIC CAPACITOR	CK725B1A-105K1	1	332131055R1
C7502	CHIP TYPE CERAMIC CAPACITOR	CK725F1E-104Z1	1	332161040R1
C7503	CHIP TYPE CERAMIC CAPACITOR	CC725CH1H-101J1	1	342101014R1
C7504	CHIP TYPE CERAMIC CAPACITOR	CC725CH1H-101J1	1	342101014R1
C7505	CHIP TYPE CERAMIC CAPACITOR	CC725CH1H-101J1	1	342101014R1
C7508	ELECTROLYTIC CAPACITOR	CE04W6.3V-100M(S)	1	353721019T
C7509	CHIP TYPE CERAMIC CAPACITOR	CK725F1E-104Z1	1	332161040R1
C7510	CHIP TYPE CERAMIC CAPACITOR	CK725B1H-223K1	1	332102235R1
C7511	CHIP TYPE CERAMIC CAPACITOR	CK725B1H-223K1	1	332102235R1
C7512	CHIP TYPE CERAMIC CAPACITOR	CK725B1H-223K1	1	332102235R1
C7514	TF TYPE PLASTIC FILM CAPACITOR	ECQ-V50V-474J	1	374724744T
C7515	ELECTROLYTIC CAPACITOR	CE04W16V-47M(S)	1	353744709T
C7516	CHIP TYPE CERAMIC CAPACITOR	CK725B1H-223K1	1	332102235R1
C7517	CHIP TYPE CERAMIC CAPACITOR	CK725B1H-223K1	1	332102235R1
C7518	CHIP TYPE CERAMIC CAPACITOR	CK725B1H-223K1	1	332102235R1
C7520	CHIP TYPE CERAMIC CAPACITOR	CK725B1H-223K1	1	332102235R1
C7521	CHIP TYPE CERAMIC CAPACITOR	CK725B1H-103K1	1	332101035R1
C7522	CHIP TYPE CERAMIC CAPACITOR	CK725B1H-103K1	1	332101035R1
C7523	CHIP TYPE CERAMIC CAPACITOR	CC725CH1H-390J1	1	342103904R1
C7531	CHIP TYPE CERAMIC CAPACITOR	CK725B1H-223K1	1	332102235R1
C7533	ELECTROLYTIC CAPACITOR	CE04W16V-10M(S)	1	353741009T
C7541	ELECTROLYTIC CAPACITOR	CE04W16V-10M(S)	1	353741009T
C7542	CHIP TYPE CERAMIC CAPACITOR	CC725CH1H-102J1	1	342101024R1
C7543	CHIP TYPE CERAMIC CAPACITOR	CC725CH1H-102J1	1	342101024R1
C7705	CHIP TYPE CERAMIC CAPACITOR	CK725F1E-104Z1	1	332161040R1
C7711	CHIP TYPE CERAMIC CAPACITOR	CC725CH1H-471J1	1	342104714R1
C7712	CHIP TYPE CERAMIC CAPACITOR	CC725CH1H-471J1	1	342104714R1
C7714	CHIP TYPE CERAMIC CAPACITOR	CK725F1E-104Z1	1	332161040R1
C7716	CHIP TYPE CERAMIC CAPACITOR	CK725F1E-104Z1	1	332161040R1
C7801	ELECTROLYTIC CAPACITOR	CE04W16V-10M(S)	1	353741009T
C7802	CHIP TYPE CERAMIC CAPACITOR	CC725CH1H-101J1	1	342101014R1
C7803	ELECTROLYTIC CAPACITOR	CE04W16V-47M(S)	1	353744709T
C7804	CHIP TYPE CERAMIC CAPACITOR	CC725CH1H-330J1	1	342103304R1
C7805	ELECTROLYTIC CAPACITOR	CE04W16V-10M(S)	1	353741009T
C7811	ELECTROLYTIC CAPACITOR	CE04W16V-47M(S)	1	353744709T
C7812	ELECTROLYTIC CAPACITOR	CE04W16V-47M(S)	1	353744709T
C7833	CHIP TYPE CERAMIC CAPACITOR	CC725CH1H-102J1	1	342101024R1
C7950	TF TYPE PLASTIC FILM CAPACITOR	ECQ-V50V-104J	1	374721044T
C7950 or	FILM C	C281H104J20A21A	(1)	376821044T
C7960	VR TYPE ELECTROLYTIC CAPACITOR	CE04W63V-100M(VR)	1	394671017T
C7961	UTSP TYPE ELECTROLYTIC CAPACITOR	CE04W50V 47M(UTSP)	1	397584707AT
C7961 or	VR TYPE ELECTROLYTIC CAPACITOR	CE04W50V-47M(VR)	(1)	394684707T
C7962	TF TYPE PLASTIC FILM CAPACITOR	ECQ-V50V-104J	1	374721044T
C7962 or	FILM C	C281H104J20A21A	(1)	376821044T
C7963	UTSP TYPE ELECTROLYTIC CAPACITOR	CE04W50V 47M(UTSP)	1	397584707AT
C7963 or	VR TYPE ELECTROLYTIC CAPACITOR	CE04W50V-47M(VR)	(1)	394684707T
C8	CHIP TYPE CERAMIC CAPACITOR	CK725B1A-105K1	1	332131055R1
C9	CHIP TYPE CERAMIC CAPACITOR	CK732B16V-106K	1	332071065R2
C9001	IS TYPE CAPACITOR	LE103-C3.5	1	3800042S !

C9001 or	IS TYPE CAPACITOR	ECQU2A103MLC	(1)	3800039S	!
C9002	CHIP TYPE CERAMIC CAPACITOR	CK725F1E-104Z1	1	332161040R1	
C9011	CHIP TYPE CERAMIC CAPACITOR	CC725CH1H-102J1	1	342101024R1	
C9022	JAMICON TYPE ELECTROLYTIC CAPACITOR	CE04W25V-2200M	1	398552227S	
C9022 or	VR TYPE ELECTROLYTIC CAPACITOR	CE04W25V-2200M(VR)	(1)	394652227S	
C9030	JAMICON TYPE ELECTROLYTIC CAPACITOR	CE04W25V-220M	1	398552217T	
C9030 or	VR TYPE ELECTROLYTIC CAPACITOR	CE04W25V-220M(VR)	(1)	394652217T	
C9033	JAMICON TYPE ELECTROLYTIC CAPACITOR	CE04W50V-4.7M	1	398580477T	
C9033 or	VR TYPE ELECTROLYTIC CAPACITOR	CE04W50V-4.7M(VR)	(1)	394680477T	
[RESISTOR]					
F2301	FUSE	T4A-SEUL-T250V	1	252392T	!
R10	CHIP TYPE CARBON RESISTOR	RN72K1J-000JE	1	435030004R1	
R11	CHIP TYPE CARBON RESISTOR	RN72K1J-000JE	1	435030004R1	
R13	CHIP TYPE CARBON RESISTOR	RN72K1J-000JE	1	435030004R1	
R14	CHIP TYPE CARBON RESISTOR	RN72K1J-000JE	1	435030004R1	
R2	CHIP TYPE CARBON RESISTOR	RN72K1J-101JE	1	435031014R1	
R2000	CHIP TYPE CARBON RESISTOR	RN72K1J-331JE	1	435033314R1	
R2003	CHIP TYPE CARBON RESISTOR	RN72K1J-103JE	1	435031034R1	
R2004	CHIP TYPE CARBON RESISTOR	RN72K1J-103JE	1	435031034R1	
R2005	CHIP TYPE CARBON RESISTOR	RN72K1J-000JE	1	435030004R1	
R2021	CHIP TYPE CARBON RESISTOR	RN72K1J-470JE	1	435034704R1	
R2022	CHIP TYPE CARBON RESISTOR	RN72K1J-470JE	1	435034704R1	
R2050	CHIP TYPE CARBON RESISTOR	RN72K1J-750JE	1	435037504R1	
R2052	CHIP TYPE CARBON RESISTOR	RN72K1J-100JE	1	435031004R1	
R2054	CHIP TYPE CARBON RESISTOR	RN72K1J-103JE	1	435031034R1	
R2055	CHIP TYPE CARBON RESISTOR	RN72K1J-823JE	1	435038234R1	
R21	CHIP TYPE CARBON RESISTOR	RN72K2E-000JE	1	435220004R1	
R2101	CHIP TYPE CARBON RESISTOR	RN72K1J-750JE	1	435037504R1	
R2102	CHIP TYPE CARBON RESISTOR	RN72K1J-750JE	1	435037504R1	
R2110	CHIP TYPE CARBON RESISTOR	RN72K1J-750JE	1	435037504R1	
R2111	CHIP TYPE CARBON RESISTOR	RN72K1J-750JE	1	435037504R1	
R2112	CHIP TYPE CARBON RESISTOR	RN72K1J-750JE	1	435037504R1	
R2117	CHIP TYPE CARBON RESISTOR	RN72K1J-750JE	1	435037504R1	
R2118	CHIP TYPE CARBON RESISTOR	RN72K1J-750JE	1	435037504R1	
R2119	CHIP TYPE CARBON RESISTOR	RN72K1J-750JE	1	435037504R1	
R22	CHIP TYPE CARBON RESISTOR	RN72K2E-000JE	1	435220004R1	
R2200	CHIP TYPE CARBON RESISTOR	RN72K1J-000JE	1	435030004R1	
R2201	CHIP TYPE CARBON RESISTOR	RN72K1J-000JE	1	435030004R1	
R2202	CHIP TYPE CARBON RESISTOR	RN72K1J-000JE	1	435030004R1	
R2203	CHIP TYPE CARBON RESISTOR	RN72K1J-000JE	1	435030004R1	
R2204	CHIP TYPE CARBON RESISTOR	RN72K1J-750JE	1	435037504R1	
R2207	CHIP TYPE CARBON RESISTOR	RN72K1J-103JE	1	435031034R1	
R2208	CHIP TYPE CARBON RESISTOR	RN72K1J-103JE	1	435031034R1	
R2209	CHIP TYPE CARBON RESISTOR	RN72K1J-103JE	1	435031034R1	
R2210	CHIP TYPE CARBON RESISTOR	RN72K1J-103JE	1	435031034R1	
R2301	CHIP TYPE CARBON RESISTOR	RN72K1J-103JE	1	435031034R1	
R2302	CHIP TYPE CARBON RESISTOR	RN72K1J-103JE	1	435031034R1	
R2357	CHIP TYPE CARBON RESISTOR	RN72K1J-102JE	1	435031024R1	
R2359	CHIP TYPE CARBON RESISTOR	RN72K1J-102JE	1	435031024R1	
R2361	CHIP TYPE CARBON RESISTOR	RN72K1J-102JE	1	435031024R1	
R2362	CHIP TYPE CARBON RESISTOR	RN72K1J-102JE	1	435031024R1	
R3	EMI SUPPRESSION FILTER	BK1608HS601-T	1	230984R1	
R4	EMI SUPPRESSION FILTER	BK1608HS601-T	1	230984R1	
R5	CHIP TYPE CARBON RESISTOR	RN72K1J-103JE	1	435031034R1	
R5000	CHIP TYPE CARBON RESISTOR	RN72K1J-000JE	1	435030004R1	
R5001	CHIP TYPE CARBON RESISTOR	RN72K1J-000JE	1	435030004R1	
R5002	CHIP TYPE CARBON RESISTOR	RN72K1J-000JE	1	435030004R1	
R5010	CHIP TYPE CARBON RESISTOR	RN72K1J-563JE	1	435035634R1	
R5011	CHIP TYPE CARBON RESISTOR	RN72K1J-563JE	1	435035634R1	
R5012	CHIP TYPE CARBON RESISTOR	RN72K1J-563JE	1	435035634R1	
R5020	CHIP TYPE CARBON RESISTOR	RN72K1J-331JE	1	435033314R1	
R5021	CHIP TYPE CARBON RESISTOR	RN72K1J-331JE	1	435033314R1	
R5022	CHIP TYPE CARBON RESISTOR	RN72K1J-331JE	1	435033314R1	
R5030	NON-FLAMMABLE CARBON FILM RESISTOR	R25J-56K	1	415475634T	
R5031	NON-FLAMMABLE CARBON FILM RESISTOR	R25J-56K	1	415475634T	
R5032	NON-FLAMMABLE CARBON FILM RESISTOR	R25J-56K	1	415475634T	
R5040	CHIP TYPE CARBON RESISTOR	RN72K1J-182JE	1	435031824R1	

R7812	CHIP TYPE CARBON RESISTOR	RN72K1J-391JE	1	435033914R1	
R7814	CHIP TYPE CARBON RESISTOR	RN72K1J-224JE	1	435032244R1	
R7815	CHIP TYPE CARBON RESISTOR	RN72K1J-391JE	1	435033914R1	
R7816	CHIP TYPE CARBON RESISTOR	RN72K1J-391JE	1	435033914R1	
R7820	CHIP TYPE CARBON RESISTOR	RN72K1J-473JE	1	435034734R1	
R7834	CHIP TYPE CARBON RESISTOR	RN72K1J-102JE	1	435031024R1	
R7950	CHIP TYPE CARBON RESISTOR	RN72K1J-015JE	1	435030154R1	
R7951	METAL OXIDE FILM RESISTOR	RS1WBJ-33	1	443623304T	
R7952	METAL OXIDE FILM RESISTOR	RS1WBJ-33	1	443623304T	
R7960	METAL RESISTOR	RNU1/2WCJ-8.2	1	453530824T	
R7962	CHIP TYPE CARBON RESISTOR	RN72K1J-472JE	1	435034724R1	
R7963	CHIP TYPE CARBON RESISTOR	RN72K1J-472JE	1	435034724R1	
R7965	CHIP TYPE CARBON RESISTOR	RN72K1J-047JE	1	435030474R1	
R7966	CHIP TYPE CARBON RESISTOR	RN72K1J-473JE	1	435034734R1	
R7967	CHIP TYPE CARBON RESISTOR	RN72K1J-473JE	1	435034734R1	
R7968	CHIP TYPE CARBON RESISTOR	RN72K1J-333JE	1	435033334R1	
R8	CHIP TYPE CARBON RESISTOR	RN72K1J-101JE	1	435031014R1	
R9	CHIP TYPE CARBON RESISTOR	RN72K1J-101JE	1	435031014R1	
R9015	METAL OXIDE FILM RESISTOR	RS1/2WBJ-100	1	443521014T	
R9022	CHIP TYPE CARBON RESISTOR	RN72K1J-823JE	1	435038234R1	
R9034	CHIP TYPE CARBON RESISTOR	RN72K1J-104JE	1	435031044R1	
[SW TRM]					
F9001C	FUSE HOLDER	NSCT-1P2031	1	25052133T	!
F9001D	FUSE HOLDER	NSCT-1P2031	1	25052133T	!
P1	TERMINAL	NTM-1PDSC437	1	25060515	
P101A	SOCKET	NSCT-7P2100	1	25052203	
P2	TERMINAL	NTM-2PDML439	1	25060517	
P2000	ST JACK	MSJ-035-22	1	25045887	
P2051	PIN JACK	NPJ-1PDO554	1	25045772	
P2203	PIN JACK	NPJ-3PDGLR767	1	25046030	N
P2204	PIN JACK	NPJ-3PDGLR767	1	25046030	N
P2205	PIN JACK	NPJ-1PDY658	1	25045886	
P2206	PIN JACK	NPJ-1PDY658	1	25045886	
P2800A	SOCKET	NSCT-23P2414	1	25052517	
P2801	WIRE HARNESS ASSEMBLY	NSAS-3P2093	1	2009991282UL	
P2801A	WIRE HOL	NSCT-3P874	1	25051087	
P2801Aor	WIRE HOL	CHD-1.5-3	(1)	25053535	
P5509B	RETAINER	(CLA-L)	1	27142312	
P6000A	SOCKET	NSCT-9P2189	1	25052292	
P6001A	SOCKET	NSCT-9P2189	1	25052292	
P6002A	SOCKET	NSCT-9P2189	1	25052292	
P7001B	SOCKET	NSCT-23P2441	1	25052544	
P7003	WIRE HARNESS ASSEMBLY	NSAS-7P2128	1	2009991317UL	
P7003A	WIRE HOL	NSCT-7P878	1	25051091	
P7003Aor	WIRE HOL	CHD-1.5-7	(1)	25053537	N
P7702	PIN JACK	NPJ-3PDB735	1	25045978	
P7703	RETAINER	(GND)	1	27142222A	
P7802	ST JACK	MSJ-035-105C-B-RF-SR-PC(ONA)	1	25045990	
P9001A	PLUG	NPLG-2P631	1	25055675	
P9002	PLUG	NPLG-2P631	1	25055675	
P9011	WIRE HARNESS ASSEMBLY	NSAS-5P2111	1	2009991300UL	
P9011A	WIRE HOL	NSCT-5P876	1	25051089	
P9011Aor	WIRE HOL	CHD-1.5-5	(1)	25053536	
P9021	TRM-423(SCREW)	NEJITANSI ST3	1	25060495	
P9022	TRM-423(SCREW)	NEJITANSI ST3	1	25060495	
P9501B	PLUG	NPLG-5P220	1	25055236	
P9502B	PLUG	NPLG-3P117	1	25055133	
RL9001	RELAY	NRL-1P10A-DC9-188	1	25065693	!
S7502	ROTARY ENCODER	EC12E2425WITH WASHER	1	25065655W	
S7600	PUSH SWITCH	NPS-111-S681	1	25035718T	
S7601	PUSH SWITCH	NPS-111-S681	1	25035718T	
S7605	PUSH SWITCH	NPS-111-S681	1	25035718T	
S7606	PUSH SWITCH	NPS-111-S681	1	25035718T	
S7607	PUSH SWITCH	NPS-111-S681	1	25035718T	
S7608	PUSH SWITCH	NPS-111-S681	1	25035718T	
S7609	PUSH SWITCH	NPS-111-S681	1	25035718T	
S7611	PUSH SWITCH	NPS-111-S681	1	25035718T	

S7612	PUSH SWITCH	NPS-111-S681	1	25035718T
S7613	PUSH SWITCH	NPS-111-S681	1	25035718T
S7614	PUSH SWITCH	NPS-111-S681	1	25035718T
S7615	PUSH SWITCH	NPS-111-S681	1	25035718T
S7616	PUSH SWITCH	NPS-111-S681	1	25035718T
S7618	PUSH SWITCH	NPS-111-S681	1	25035718T
S7619	PUSH SWITCH	NPS-111-S681	1	25035718T
S7620	PUSH SWITCH	NPS-111-S681	1	25035718T
S7621	PUSH SWITCH	NPS-111-S681	1	25035718T
S7622	PUSH SWITCH	NPS-111-S681	1	25035718T
S7623	PUSH SWITCH	NPS-111-S681	1	25035718T
S7624	PUSH SWITCH	NPS-111-S681	1	25035718T
S7625	PUSH SWITCH	NPS-111-S681	1	25035718T
S7626	PUSH SWITCH	NPS-111-S681	1	25035718T
S7629	PUSH SWITCH	NPS-111-S681	1	25035718T
S7630	PUSH SWITCH	NPS-111-S681	1	25035718T
S7631	PUSH SWITCH	NPS-111-S681	1	25035718T
S7632	PUSH SWITCH	NPS-111-S681	1	25035718T
S7633	PUSH SWITCH	NPS-111-S681	1	25035718T
S7634	PUSH SWITCH	NPS-111-S681	1	25035718T
S7635	PUSH SWITCH	NPS-111-S681	1	25035718T
S7636	PUSH SWITCH	NPS-111-S681	1	25035718T
S7637	PUSH SWITCH	NPS-111-S681	1	25035718T
S7638	PUSH SWITCH	NPS-111-S681	1	25035718T

U004

BAPRC-1758-1A

: NSP

CIRCUIT NC	PART NAME	DESCRIPTION	Q'TY	PART NO. (SN)	REMARKS
[SEMI CONDUCTOR]					
D3402	CHIP TYPE DIODE	DA2J10100	1	223303R2	
D3402 or	CHIP TYPE DIODE	1SS352	(1)	223234R2	
D7001	CHIP TYPE DIODE	DA2J10100	1	223303R2	
D7001 or	CHIP TYPE DIODE	1SS352	(1)	223234R2	
D7002	CHIP TYPE DIODE	DA2J10100	1	223303R2	
D7002 or	CHIP TYPE DIODE	1SS352	(1)	223234R2	
D7003	CHIP TYPE DIODE	DA2J10100	1	223303R2	
D7003 or	CHIP TYPE DIODE	1SS352	(1)	223234R2	
D7004	CHIP TYPE DIODE	DA2J10100	1	223303R2	
D7004 or	CHIP TYPE DIODE	1SS352	(1)	223234R2	
D7005	CHIP TYPE DIODE	DA2J10100	1	223303R2	
D7005 or	CHIP TYPE DIODE	1SS352	(1)	223234R2	
D7006	DIODE	CUS357	1	223320R2	N
D7006 or	CHIP TYPE DIODE	1SS357	(1)	223281R2	
D7007	CHIP TYPE DIODE	DA2J10100	1	223303R2	
D7007 or	CHIP TYPE DIODE	1SS352	(1)	223234R2	
D7011	CHIP TYPE DIODE	DA2J10100	1	223303R2	
D7011 or	CHIP TYPE DIODE	1SS352	(1)	223234R2	
D7012	CHIP TYPE DIODE	DA2J10100	1	223303R2	
D7012 or	CHIP TYPE DIODE	1SS352	(1)	223234R2	
D8002	ESD	IMSA-6802-01Y901_1608SIZE	1	4000255AR1	
D8151	DIODE	CUS357	1	223320R2	N
D8151 or	CHIP TYPE DIODE	1SS357	(1)	223281R2	
D8201	DIODE	CUS357	1	223320R2	N
D8201 or	CHIP TYPE DIODE	1SS357	(1)	223281R2	
D8702	CHIP TYPE DIODE	DA2J10100	1	223303R2	
D8702 or	CHIP TYPE DIODE	1SS352	(1)	223234R2	
D8902	CHIP TYPE DIODE	DA2J10100	1	223303R2	
D8902 or	CHIP TYPE DIODE	1SS352	(1)	223234R2	
D8906	CHIP TYPE DIODE	DA2J10100	1	223303R2	
D8906 or	CHIP TYPE DIODE	1SS352	(1)	223234R2	
D8907	CHIP TYPE DIODE	DA2J10100	1	223303R2	
D8907 or	CHIP TYPE DIODE	1SS352	(1)	223234R2	
D8951	DIODE	CUS357	1	223320R2	N
D8951 or	CHIP TYPE DIODE	1SS357	(1)	223281R2	

D8962	DIODE	RB050M-30GTR	1	22380373R2	
D8963	DIODE	RB050M-30GTR	1	22380373R2	
D8964	CHIP TYPE DIODE	1SR154-400	1	22380284R2	
D8965	CHIP TYPE DIODE	DA2J10100	1	223303R2	
D8965 or	CHIP TYPE DIODE	1SS352	(1)	223234R2	
Q1004	HYBRID IC	PCM1690DCAR	1	22242599R2	
Q1005	HYBRID IC	PCM9211PTR	1	22242703R2	
Q1007	HYBRID IC	74VHC4040FT	1	22274040E1R2TO	
Q1008	HYBRID IC	TC7WH241FU(TE12L_F)	1	22242076R2TO	
Q1090	HYBRID IC	MM3404A50NRE	1	22242701R2	
Q1091	HYBRID IC	S-1333A33-M5T1U3	1	22242934R2	
Q3111	HYBRID IC	S-13A1A33-U5T1U3	1	22242844R2	
Q3112	HYBRID IC	XC25BS8040MR-G	1	22242954R2	N
Q3113	TRANSISTOR	KRA307E	1	2218380R2	
Q3113 or	TRANSISTOR	RN2107	(1)	2218290R2	
Q3114	TRANSISTOR	KRC407E	1	2218350R2	N
Q3114 or	TRANSISTOR	RN1107	(1)	2218260R2	N
Q3121	HYBRID IC	FP6861C-B1AS5CT	1	22242840R2	
Q3401	HYBRID IC	S25FL164K0XMF1013	1	22242955R2	
Q3404	HYBRID IC	CS49844A-CQZ	1	22242926R3	N
Q3406	HYBRID IC	M12L64164A-7TG2Y	1	22242951R3	
Q3410	TRANSISTOR	KRC404E	1	2216450R2	
Q3410 or	TRANSISTOR	RN1104	(1)	2218240R2	
Q7001	HYBRID IC	M95640-WMN6TP	1	22242643R2	
Q7002	TRANSISTOR	KRA302E	1	2218360R2	
Q7002 or	TRANSISTOR	RN2102	(1)	2218270R2	
Q7005	TRANSISTOR	KRC404E	1	2216450R2	
Q7005 or	TRANSISTOR	RN1104	(1)	2218240R2	
Q7009	HYBRID IC	MPD70F3746GJ-GAE-AX	1	222W0079R3	firmware
Q7011	TRANSISTOR	KRA307E	1	2218380R2	
Q7011 or	TRANSISTOR	RN2107	(1)	2218290R2	
Q7012	TRANSISTOR	KRA307E	1	2218380R2	
Q7012 or	TRANSISTOR	RN2107	(1)	2218290R2	
Q7013	HYBRID IC	TC7WBL3305CFK	1	22242965R2	
Q7014	TRANSISTOR	KRC402E	1	2218330R2	
Q7014 or	TRANSISTOR	RN1102	(1)	2218230R2	
Q7015	TRANSISTOR	KRC402E	1	2218330R2	
Q7015 or	TRANSISTOR	RN1102	(1)	2218230R2	
Q7017	TRANSISTOR	KRC404E	1	2216450R2	
Q7017 or	TRANSISTOR	RN1104	(1)	2218240R2	
Q7018	HYBRID IC	S-1333A33-M5T1U3	1	22242934R2	
Q7020	HYBRID IC	PST803C270NM	1	22242894R2	
Q7027	HYBRID IC	S-1333A33-M5T1U3	1	22242934R2	
Q8000	HYBRID IC	MN864788A	1	22242930R3	N
Q8051	TRANSISTOR	KRC404E	1	2216450R2	
Q8051 or	TRANSISTOR	RN1104	(1)	2218240R2	
Q8052	TRANSISTOR	2SA1162-GR	1	2214375R2	
Q8052 or	TRANSISTOR	KTA1504-GR	(1)	2216185R2	
Q8101	HYBRID IC	W25Q128FVFIG	1	222W0136R2	firmware
Q8115	HYBRID IC	74LCX125FT	1	22274125BR2TO	
Q8151	HYBRID IC	MM3404A50NRE	1	22242701R2	
Q8202	HYBRID IC	ADV7180KCP32Z-RL	1	22242763R2	N
Q8203	HYBRID IC	S-1333A18-M5T1U3	1	22242956R2	
Q8204	HYBRID IC	MM3404A50NRE	1	22242701R2	
Q8205	HYBRID IC	S-1333A18-M5T1U3	1	22242956R2	
Q8701	HYBRID IC	TMPM361F10FG	1	222W0115R3	firmware
Q8704	TRANSISTOR	KRA307E	1	2218380R2	
Q8704 or	TRANSISTOR	RN2107	(1)	2218290R2	
Q8705	TRANSISTOR	KRC402E	1	2218330R2	
Q8705 or	TRANSISTOR	RN1102	(1)	2218230R2	
Q8706	TRANSISTOR	KRC402E	1	2218330R2	
Q8706 or	TRANSISTOR	RN1102	(1)	2218230R2	
Q8707	TRANSISTOR	KRC402E	1	2218330R2	
Q8707 or	TRANSISTOR	RN1102	(1)	2218230R2	
Q8708	TRANSISTOR	KRC402E	1	2218330R2	
Q8708 or	TRANSISTOR	RN1102	(1)	2218230R2	
Q8709	TRANSISTOR	KRC402E	1	2218330R2	

Q8709 or	TRANSISTOR	RN1102	(1)	2218230R2
Q8714	TRANSISTOR	KRC402E	1	2218330R2
Q8714 or	TRANSISTOR	RN1102	(1)	2218230R2
Q8715	TRANSISTOR	KRC402E	1	2218330R2
Q8715 or	TRANSISTOR	RN1102	(1)	2218230R2
Q8716	TRANSISTOR	KRC402E	1	2218330R2
Q8716 or	TRANSISTOR	RN1102	(1)	2218230R2
Q8717	TRANSISTOR	KRC402E	1	2218330R2
Q8717 or	TRANSISTOR	RN1102	(1)	2218230R2
Q8718	TRANSISTOR	KRC402E	1	2218330R2
Q8718 or	TRANSISTOR	RN1102	(1)	2218230R2
Q8719	TRANSISTOR	KRC402E	1	2218330R2
Q8719 or	TRANSISTOR	RN1102	(1)	2218230R2
Q8720	TRANSISTOR	KRC402E	1	2218330R2
Q8720 or	TRANSISTOR	RN1102	(1)	2218230R2
Q8721	TRANSISTOR	KRC402E	1	2218330R2
Q8721 or	TRANSISTOR	RN1102	(1)	2218230R2
Q8741	HYBRID IC	74LCX125FT	1	22274125BR2TO
Q8901	TRANSISTOR	2SC2712-GR	1	2213145R2
Q8931	HYBRID IC	FR9888CSPCTR	1	22242839R2
Q8941	HYBRID IC	FR9888CSPCTR	1	22242839R2
Q8951	HYBRID IC	FR9888CSPCTR	1	22242839R2
Q8961	HYBRID IC	FR9887SPCTR	1	22242935R2
Q8962	TRANSISTOR	2SC2712-GR	1	2213145R2
Q8963	TRANSISTOR	KRA302E	1	2218360R2
Q8963 or	TRANSISTOR	RN2102	(1)	2218270R2

[TRANS COIL]

L1006	CORE	BK1005LL241-T	1	2350032R1
L1007	CORE	BK1005LL241-T	1	2350032R1
L1009	CHOKE COIL	LBC2518T4R7M	1	231364M047R2
L1010	CHOKE COIL	LBC2518T4R7M	1	231364M047R2
L1011	CHOKE COIL	LBC2518T4R7M	1	231364M047R2
L1012	CHOKE COIL	LBC2518T4R7M	1	231364M047R2
L1013	CHOKE COIL	LBC2518T4R7M	1	231364M047R2
L1014	CHOKE COIL	LBC2518T4R7M	1	231364M047R2
L3102	CORE	BLM15PX121SN1D	1	2350034R1
L3111	CHOKE COIL	LBC2518T4R7M	1	231364M047R2
L3403	CORE	MMZ1608Y601BT	1	2350004R1
L3405	CORE	BLM15PX121SN1D	1	2350034R1
L3406	CORE	BLM15PX330SN1D	1	2350043R1
L3407	CORE	BLM15PX121SN1D	1	2350034R1
L3408	CORE	BLM15PX121SN1D	1	2350034R1
L3409	CORE	BLM15PX181SN1D	1	2350033R1
L3411	EMI SUPPRESSION FILTER	BLM15BD601SN1D	1	2350037R1
L7003	CORE	BLM15PX181SN1D	1	2350033R1
L7007	CORE	BLM15PX181SN1D	1	2350033R1
L8000	CORE	BK1005LL241-T	1	2350032R1
L8001	CORE	EXC24CH900U	1	2350039R2
L8002	CORE	EXC24CH900U	1	2350039R2
L8003	CORE	EXC24CH900U	1	2350039R2
L8004	CORE	EXC24CH900U	1	2350039R2
L8006	CORE	BK1005LL241-T	1	2350032R1
L8151	CORE	BLM15PX121SN1D	1	2350034R1
L8152	CORE	BLM15PX121SN1D	1	2350034R1
L8153	CORE	BLM15PX121SN1D	1	2350034R1
L8154	CORE	BLM15PX121SN1D	1	2350034R1
L8155	CORE	BLM15PX121SN1D	1	2350034R1
L8156	CORE	BLM15PX121SN1D	1	2350034R1
L8160	CORE	BLM15PX121SN1D	1	2350034R1
L8161	CORE	BLM15PX121SN1D	1	2350034R1
L8162	CORE	BLM15PX121SN1D	1	2350034R1
L8163	CORE	BLM15PX121SN1D	1	2350034R1
L8164	CORE	BLM15PX121SN1D	1	2350034R1
L8165	CORE	BLM15PX121SN1D	1	2350034R1
L8166	CORE	BLM15PX121SN1D	1	2350034R1
L8167	CORE	BLM15PX121SN1D	1	2350034R1
L8168	CORE	BLM15PX121SN1D	1	2350034R1

L8202	CORE	BLM15PX181SN1D	1	2350033R1
L8205	CORE	BLM15PX181SN1D	1	2350033R1
L8207	CORE	BLM15PX181SN1D	1	2350033R1
L8210	CORE	BLM15PX181SN1D	1	2350033R1
L8701	CORE	BLM15PX181SN1D	1	2350033R1
L8702	CORE	BLM15PX181SN1D	1	2350033R1
L8931	CHOKE COIL	BLM21PG221SN1	1	230949R2
L8932	CHOKE COIL	1255AS-100M	1	231482M100R2
L8933	CHOKE COIL	BLM21PG221SN1	1	230949R2
L8934	CHOKE COIL	BLM21PG221SN1	1	230949R2
L8941	CHOKE COIL	BLM21PG221SN1	1	230949R2
L8942	CHOKE COIL	1255AS-100M	1	231482M100R2
L8943	CHOKE COIL	BLM21PG221SN1	1	230949R2
L8944	CHOKE COIL	BLM21PG221SN1	1	230949R2
L8951	CHOKE COIL	BLM21PG221SN1	1	230949R2
L8952	CHOKE COIL	1255AS-100M	1	231482M100R2
L8953	CHOKE COIL	BLM21PG221SN1	1	230949R2
L8954	CHOKE COIL	BLM21PG221SN1	1	230949R2
L8961	CHOKE COIL	BLM21PG221SN1	1	230949R2
L8962	CHOKE COIL	1255AS-100M	1	231482M100R2
X3401	CRYSTAL	HC-49S 9C24.5760M	1	3010516R2
X7001	CRYSTAL	CSTCR4M00G53-R0	1	3010536R2
X8031	CRYSTAL	HC-49S 9C27.0000M	1	3010518R2
X8201	CRYSTAL	HC-49S 9C28.6363M	1	3010519R2
X8701	CERAMIC RESONATOR	CSTCE8M00G55-R0	1	3010416R2
[CAPACITOR]				
C1011	CHIP TYPE CERAMIC CAPACITOR	CK725B1A-105K0	1	332001055R1
C1012	CHIP ELECT C	CECS16V-47M	1	398644707R2
C1012 or	CHIP ELECT C	CEWX16V-47M	(1)	398144707R2
C1013	CHIP TYPE CERAMIC CAPACITOR	CK725B1A-105K0	1	332001055R1
C1014	CHIP TYPE CERAMIC CAPACITOR	CK725B1C-104K0	1	332011045R1
C1015	CHIP ELECT C	CECS16V-47M	1	398644707R2
C1015 or	CHIP ELECT C	CEWX16V-47M	(1)	398144707R2
C1016	CHIP TYPE CERAMIC CAPACITOR	CK725B1A-105K0	1	332001055R1
C1017	CHIP ELECT C	CECS16V-47M	1	398644707R2
C1017 or	CHIP ELECT C	CEWX16V-47M	(1)	398144707R2
C1018	CHIP TYPE CERAMIC CAPACITOR	CK725B1C-104K0	1	332011045R1
C1019	CHIP ELECT C	CECS16V-47M	1	398644707R2
C1019 or	CHIP ELECT C	CEWX16V-47M	(1)	398144707R2
C1020	CHIP ELECT C	CECS16V-47M	1	398644707R2
C1020 or	CHIP ELECT C	CEWX16V-47M	(1)	398144707R2
C1021	CHIP TYPE CERAMIC CAPACITOR	CK725B1H-472K0	1	332034725R1
C1022	CHIP ELECT C	CECS16V-47M	1	398644707R2
C1022 or	CHIP ELECT C	CEWX16V-47M	(1)	398144707R2
C1023	CHIP ELECT C	CECS16V-47M	1	398644707R2
C1023 or	CHIP ELECT C	CEWX16V-47M	(1)	398144707R2
C1025	CHIP TYPE CERAMIC CAPACITOR	CK725B1H-223K0	1	332032235R1
C1026	CHIP TYPE CERAMIC CAPACITOR	CK725B1E-473K0	1	332024735R1
C1027	CHIP ELECT C	CECS16V-47M	1	398644707R2
C1027 or	CHIP ELECT C	CEWX16V-47M	(1)	398144707R2
C1038	CHIP TYPE CERAMIC CAPACITOR	CK725B1C-104K0	1	332011045R1
C1068	CHIP TYPE CERAMIC CAPACITOR	CK725B1C-104K0	1	332011045R1
C1069	CHIP TYPE CERAMIC CAPACITOR	CK725B1C-104K0	1	332011045R1
C1073	CHIP TYPE CERAMIC CAPACITOR	CK725B1C-104K0	1	332011045R1
C1074	CHIP TYPE CERAMIC CAPACITOR	CK725B1C-104K0	1	332011045R1
C1075	CHIP TYPE CERAMIC CAPACITOR	CK725B1C-104K0	1	332011045R1
C1079	CHIP TYPE CERAMIC CAPACITOR	CK725B1C-104K0	1	332011045R1
C1090	CHIP TYPE CERAMIC CAPACITOR	CK725B1A-105K0	1	332001055R1
C1092	CHIP TYPE CERAMIC CAPACITOR	CK725B1A-105K0	1	332001055R1
C1093	CHIP TYPE CERAMIC CAPACITOR	CK725B1A-105K0	1	332001055R1
C1094	CHIP TYPE CERAMIC CAPACITOR	CK725B1A-105K0	1	332001055R1
C3101	CHIP TYPE CERAMIC CAPACITOR	CK725B1C-104K0	1	332011045R1
C3102	CHIP TYPE CERAMIC CAPACITOR	CK725B1H-102K0	1	332031025R1
C3103	CHIP TYPE CERAMIC CAPACITOR	CK725B0J-226M	1	332092267R2
C3104	CHIP TYPE CERAMIC CAPACITOR	CK725B1H-102K0	1	332031025R1
C3111	CHIP TYPE CERAMIC CAPACITOR	CK732B16V-106K	1	332071065R2
C3112	CHIP TYPE CERAMIC CAPACITOR	CK732B16V-106K	1	332071065R2

C8932	CHIP TYPE CERAMIC CAPACITOR	CK725B1C-104K0	1	332011045R1
C8933	CHIP TYPE CERAMIC CAPACITOR	CK725B1E-106K	1	332221065R2
C8934	CHIP TYPE CERAMIC CAPACITOR	CK725B1E-106K	1	332221065R2
C8935	CHIP TYPE CERAMIC CAPACITOR	CK725B1H-103K0	1	332031035R1
C8936	CHIP TYPE CERAMIC CAPACITOR	CK725B0J-226M	1	332092267R2
C8937	CHIP TYPE CERAMIC CAPACITOR	CK725B0J-226M	1	332092267R2
C8941	CHIP TYPE CERAMIC CAPACITOR	CK725B1H-103K0	1	332031035R1
C8942	CHIP TYPE CERAMIC CAPACITOR	CK725B1C-104K0	1	332011045R1
C8943	CHIP TYPE CERAMIC CAPACITOR	CK725B1E-106K	1	332221065R2
C8944	CHIP TYPE CERAMIC CAPACITOR	CK725B1E-106K	1	332221065R2
C8945	CHIP TYPE CERAMIC CAPACITOR	CK725B1H-103K0	1	332031035R1
C8946	CHIP TYPE CERAMIC CAPACITOR	CK725B0J-226M	1	332092267R2
C8947	CHIP TYPE CERAMIC CAPACITOR	CK725B0J-226M	1	332092267R2
C8951	CHIP TYPE CERAMIC CAPACITOR	CK725B1H-103K0	1	332031035R1
C8952	CHIP TYPE CERAMIC CAPACITOR	CK725B1C-104K0	1	332011045R1
C8953	CHIP TYPE CERAMIC CAPACITOR	CK725B1E-106K	1	332221065R2
C8954	CHIP TYPE CERAMIC CAPACITOR	CK725B1E-106K	1	332221065R2
C8955	CHIP TYPE CERAMIC CAPACITOR	CK725B1H-103K0	1	332031035R1
C8956	CHIP TYPE CERAMIC CAPACITOR	CK725B0J-226M	1	332092267R2
C8957	CHIP TYPE CERAMIC CAPACITOR	CK725B0J-226M	1	332092267R2
C8961	CHIP TYPE CERAMIC CAPACITOR	CK725B1H-103K0	1	332031035R1
C8962	CHIP TYPE CERAMIC CAPACITOR	CK725B1C-104K0	1	332011045R1
C8963	CHIP TYPE CERAMIC CAPACITOR	CK725B1E-106K	1	332221065R2
C8964	CHIP TYPE CERAMIC CAPACITOR	CK725B1E-106K	1	332221065R2
C8966	CHIP TYPE CERAMIC CAPACITOR	CK725B0J-226M	1	332092267R2
C8967	CHIP TYPE CERAMIC CAPACITOR	CK725B0J-226M	1	332092267R2
C8969	CHIP TYPE CERAMIC CAPACITOR	CK725B1C-104K0	1	332011045R1
[RESISTOR]				
R1010	CHIP TYPE CARBON RESISTOR	RN72K1J-103JE	1	435031034R1
R1011	CHIP TYPE CARBON RESISTOR	RN72K1J-220JE	1	435032204R1
R1012	CHIP TYPE CARBON RESISTOR	RN72K1J-471JE	1	435034714R1
R1013	CHIP TYPE CARBON RESISTOR	RN72K1J-220JE	1	435032204R1
R1014	CHIP TYPE CARBON RESISTOR	RN72K1J-220JE	1	435032204R1
R1015	CHIP TYPE CARBON RESISTOR	RN72K1J-220JE	1	435032204R1
R1016	CHIP TYPE CARBON RESISTOR	RN72K1J-220JE	1	435032204R1
R1017	CHIP TYPE CARBON RESISTOR	RN72K1J-470JE	1	435034704R1
R1019	CHIP TYPE CARBON RESISTOR	RN72K1J-470JE	1	435034704R1
R1020	CHIP TYPE CARBON RESISTOR	RN72K1J-151JE	1	435031514R1
R1022	CHIP TYPE CARBON RESISTOR	RN72K1J-151JE	1	435031514R1
R1023	CHIP TYPE CARBON RESISTOR	RN72K1J-151JE	1	435031514R1
R1024	CHIP TYPE CARBON RESISTOR	RN72K1J-221JE	1	435032214R1
R1025	CHIP TYPE CARBON RESISTOR	RN72K1J-221JE	1	435032214R1
R1026	CHIP TYPE CARBON RESISTOR	RN72K1J-221JE	1	435032214R1
R1027	CHIP RESISTOR NETWORK	YCN104-221-JK	1	43464C22104R1
R1027 or	CHIP RESISTOR NETWORK	MNR04MRAPJ221	(1)	43464722104R2
R1028	CHIP TYPE CARBON RESISTOR	RN72K1J-472JE	1	435034724R1
R1030	CHIP TYPE CARBON RESISTOR	RN72K1J-472JE	1	435034724R1
R1031	CHIP TYPE CARBON RESISTOR	RN72K1J-221JE	1	435032214R1
R1032	CHIP TYPE CARBON RESISTOR	RN72K1J-221JE	1	435032214R1
R1034	CHIP TYPE CARBON RESISTOR	RN72K1J-221JE	1	435032214R1
R1035	CHIP TYPE CARBON RESISTOR	RN72K1J-331JE	1	435033314R1
R1036	CHIP TYPE CARBON RESISTOR	RN72K1J-221JE	1	435032214R1
R1037	CHIP TYPE CARBON RESISTOR	RN72K1J-331JE	1	435033314R1
R1039	CHIP TYPE CARBON RESISTOR	RN72K1J-330JE	1	435033304R1
R1040	CHIP TYPE CARBON RESISTOR	RN72K1J-221JE	1	435032214R1
R1041	CHIP TYPE CARBON RESISTOR	RN72K1J-221JE	1	435032214R1
R1042	CHIP TYPE CARBON RESISTOR	RN72K1J-221JE	1	435032214R1
R1044	CHIP TYPE CARBON RESISTOR	RN72K1J-221JE	1	435032214R1
R1046	CHIP TYPE CARBON RESISTOR	RN72K1J-470JE	1	435034704R1
R1047	CHIP TYPE CARBON RESISTOR	RN72K1J-681JE	1	435036814R1
R1050	CHIP TYPE CARBON RESISTOR	RN72K1J-221JE	1	435032214R1
R1051	CHIP TYPE CARBON RESISTOR	RN72K1J-221JE	1	435032214R1
R1055	CHIP TYPE CARBON RESISTOR	RN72K1J-000JE	1	435030004R1
R1056	CHIP TYPE CARBON RESISTOR	RN72K1J-000JE	1	435030004R1
R1060	CHIP TYPE CARBON RESISTOR	RN72K1J-470JE	1	435034704R1
R1062	CHIP TYPE CARBON RESISTOR	RN72K1J-221JE	1	435032214R1
R1064	CHIP TYPE CARBON RESISTOR	RN72K1J-221JE	1	435032214R1

R1076	CHIP TYPE CARBON RESISTOR	RN72K1J-000JE	1	435030004R1
R1077	CHIP TYPE CARBON RESISTOR	RN72K1J-000JE	1	435030004R1
R1081	CHIP TYPE CARBON RESISTOR	RN72K1J-221JE	1	435032214R1
R1085	CHIP TYPE CARBON RESISTOR	RN72K1J-221JE	1	435032214R1
R1115	CHIP TYPE CARBON RESISTOR	RN72K1J-221JE	1	435032214R1
R3112	CHIP TYPE CARBON RESISTOR	RN72K1J-101JE	1	435031014R1
R3113	CHIP TYPE CARBON RESISTOR	RN72K1J-221JE	1	435032214R1
R3114	CHIP TYPE CARBON RESISTOR	RN72K1J-153JE	1	435031534R1
R3115	CHIP TYPE CARBON RESISTOR	RN72K1J-104JE	1	435031044R1
R3117	CHIP TYPE CARBON RESISTOR	RN72K1J-391JE	1	435033914R1
R3401	CHIP RESISTOR NETWORK	YCN104-000-ZK	1	43484C00004R1
R3401 or	CHIP RESISTOR NETWORK	MNR04MRAPJ000	(1)	43464700004R2
R3403	CHIP TYPE CARBON RESISTOR	RN72K1J-560JE	1	435035604R1
R3406	CHIP TYPE CARBON RESISTOR	RN72K1J-332JE	1	435033324R1
R3407	CHIP TYPE CARBON RESISTOR	RN72K1J-222JE	1	435032224R1
R3408	CHIP RESISTOR NETWORK	YCN104-221-JK	1	43464C22104R1
R3408 or	CHIP RESISTOR NETWORK	MNR04MRAPJ221	(1)	43464722104R2
R3409	CHIP RESISTOR NETWORK	YCN104-221-JK	1	43464C22104R1
R3409 or	CHIP RESISTOR NETWORK	MNR04MRAPJ221	(1)	43464722104R2
R3411	CHIP RESISTOR NETWORK	YCN104-000-ZK	1	43484C00004R1
R3411 or	CHIP RESISTOR NETWORK	MNR04MRAPJ000	(1)	43464700004R2
R3412	CHIP TYPE CARBON RESISTOR	RN72K1J-472JE	1	435034724R1
R3414	CHIP TYPE CARBON RESISTOR	RN72K1J-103JE	1	435031034R1
R3415	CHIP RESISTOR NETWORK	YCN104-000-ZK	1	43484C00004R1
R3415 or	CHIP RESISTOR NETWORK	MNR04MRAPJ000	(1)	43464700004R2
R3421	CHIP TYPE CARBON RESISTOR	RN72K1J-560JE	1	435035604R1
R3423	CHIP TYPE CARBON RESISTOR	RN72K1J-000JE	1	435030004R1
R3424	CHIP TYPE CARBON RESISTOR	RN72K1J-470JE	1	435034704R1
R3425	CHIP TYPE CARBON RESISTOR	RN72K1J-470JE	1	435034704R1
R3426	CHIP TYPE CARBON RESISTOR	RN72K1J-470JE	1	435034704R1
R3427	CHIP TYPE CARBON RESISTOR	RN72K1J-470JE	1	435034704R1
R3428	CHIP RESISTOR NETWORK	YCN104-220-JK	1	43464C22004R1
R3428 or	CHIP RESISTOR NETWORK	MNR04MRAPJ220	(1)	43464722004R2
R3429	CHIP RESISTOR NETWORK	YCN104-470-JK	1	43464C47004R1
R3429 or	CHIP RESISTOR NETWORK	MNR04MRAPJ470	(1)	43464747004R2
R3430	CHIP RESISTOR NETWORK	YCN104-470-JK	1	43464C47004R1
R3430 or	CHIP RESISTOR NETWORK	MNR04MRAPJ470	(1)	43464747004R2
R3432	CHIP TYPE CARBON RESISTOR	RN72K1J-103JE	1	435031034R1
R3433	CHIP TYPE CARBON RESISTOR	RN72K1J-103JE	1	435031034R1
R3434	CHIP TYPE CARBON RESISTOR	RN72K1J-332JE	1	435033324R1
R3435	CHIP TYPE CARBON RESISTOR	RN72K1J-222JE	1	435032224R1
R3436	CHIP TYPE CARBON RESISTOR	RN72K1J-560JE	1	435035604R1
R3437	CHIP TYPE CARBON RESISTOR	RN72K1J-560JE	1	435035604R1
R3438	CHIP TYPE CARBON RESISTOR	RN72K1J-560JE	1	435035604R1
R3439	CHIP TYPE CARBON RESISTOR	RN72K1J-332JE	1	435033324R1
R3440	CHIP TYPE CARBON RESISTOR	RN72K1J-332JE	1	435033324R1
R3441	CHIP RESISTOR NETWORK	YCN104-470-JK	1	43464C47004R1
R3441 or	CHIP RESISTOR NETWORK	MNR04MRAPJ470	(1)	43464747004R2
R3442	CHIP TYPE CARBON RESISTOR	RN72K1J-105JE	1	435031054R1
R3443	CHIP TYPE CARBON RESISTOR	RN72K1J-000JE	1	435030004R1
R3444	CHIP TYPE CARBON RESISTOR	RN72K1J-223JE	1	435032234R1
R3445	CHIP RESISTOR NETWORK	YCN104-470-JK	1	43464C47004R1
R3445 or	CHIP RESISTOR NETWORK	MNR04MRAPJ470	(1)	43464747004R2
R3446	CHIP TYPE CARBON RESISTOR	RN72K1J-102JE	1	435031024R1
R3447	CHIP TYPE CARBON RESISTOR	RN72K1J-560JE	1	435035604R1
R3448	CHIP TYPE CARBON RESISTOR	RN72K1J-330JE	1	435033304R1
R3450	CHIP TYPE CARBON RESISTOR	RN72K1J-560JE	1	435035604R1
R3452	CHIP TYPE CARBON RESISTOR	RN72K1J-470JE	1	435034704R1
R3453	CHIP TYPE CARBON RESISTOR	RN72K1J-121JE	1	435031214R1
R3454	CHIP TYPE CARBON RESISTOR	RN72K1J-470JE	1	435034704R1
R3455	CHIP TYPE CARBON RESISTOR	RN72K1J-121JE	1	435031214R1
R3456	CHIP TYPE CARBON RESISTOR	RN72K1J-470JE	1	435034704R1
R3457	CHIP RESISTOR NETWORK	YCN104-470-JK	1	43464C47004R1
R3457 or	CHIP RESISTOR NETWORK	MNR04MRAPJ470	(1)	43464747004R2
R3462	CHIP TYPE CARBON RESISTOR	RN72K1J-102JE	1	435031024R1
R3464	CHIP TYPE CARBON RESISTOR	RN72K1J-102JE	1	435031024R1
R3465	CHIP TYPE CARBON RESISTOR	RN72K1J-102JE	1	435031024R1

R3466	CHIP TYPE CARBON RESISTOR	RN72K1J-102JE	1	435031024R1	
R3469	CHIP TYPE CARBON RESISTOR	RN72K1J-222JE	1	435032224R1	
R3470	CHIP TYPE CARBON RESISTOR	RN72K1J-222JE	1	435032224R1	
R3473	CHIP TYPE CARBON RESISTOR	RN72K1J-103JE	1	435031034R1	
R3474	CHIP TYPE CARBON RESISTOR	RN72K1J-103JE	1	435031034R1	
R3481	CHIP TYPE CARBON RESISTOR	RN72K1J-332JE	1	435033324R1	
R3484	CHIP TYPE CARBON RESISTOR	RN72K1J-470JE	1	435034704R1	
R3485	CHIP TYPE CARBON RESISTOR	RN72K1J-470JE	1	435034704R1	
R3488	CHIP TYPE CARBON RESISTOR	RN72K1J-332JE	1	435033324R1	
R3491	CHIP TYPE CARBON RESISTOR	RN72K1J-332JE	1	435033324R1	
R3494	CHIP RESISTOR NETWORK	YCN104-470-JK	1	43464C47004R1	
R3494 or	CHIP RESISTOR NETWORK	MNR04MRAPJ470	(1)	43464747004R2	
R3495	CHIP RESISTOR NETWORK	YCN104-470-JK	1	43464C47004R1	
R3495 or	CHIP RESISTOR NETWORK	MNR04MRAPJ470	(1)	43464747004R2	
R3496	CHIP RESISTOR NETWORK	YCN104-470-JK	1	43464C47004R1	
R3496 or	CHIP RESISTOR NETWORK	MNR04MRAPJ470	(1)	43464747004R2	
R3497	CHIP RESISTOR NETWORK	YCN104-470-JK	1	43464C47004R1	
R3497 or	CHIP RESISTOR NETWORK	MNR04MRAPJ470	(1)	43464747004R2	
R3500	CHIP TYPE CARBON RESISTOR	RN72K1J-470JE	1	435034704R1	
R3501	CHIP TYPE CARBON RESISTOR	RN72K1J-470JE	1	435034704R1	
R3502	CHIP TYPE CARBON RESISTOR	RN72K1J-470JE	1	435034704R1	
R3503	CHIP TYPE CARBON RESISTOR	RN72K1J-470JE	1	435034704R1	
R3504	CHIP TYPE CARBON RESISTOR	RN72K1J-470JE	1	435034704R1	
R3505	CHIP TYPE CARBON RESISTOR	RN72K1J-470JE	1	435034704R1	
R3506	CHIP TYPE CARBON RESISTOR	RN72K1J-000JE	1	435030004R1	
R7000	CHIP TYPE CARBON RESISTOR	RN72K1J-472JE	1	435034724R1	
R7002	CHIP TYPE CARBON RESISTOR	RN72K1J-103JE	1	435031034R1	
R7003	CHIP TYPE CARBON RESISTOR	RN72K1J-103JE	1	435031034R1	
R7004	CHIP TYPE CARBON RESISTOR	RN72K1J-472JE	1	435034724R1	
R7005	CHIP TYPE CARBON RESISTOR	RN72K1J-223JE	1	435032234R1	
R7006	CHIP TYPE CARBON RESISTOR	RN72K1J-223JE	1	435032234R1	
R7007	CHIP TYPE CARBON RESISTOR	RN72K1J-105JE	1	435031054R1	
R7008	CHIP TYPE CARBON RESISTOR	RN72K1J-473JE	1	435034734R1	
R7009	CHIP TYPE CARBON RESISTOR	RN72K1J-105JE	1	435031054R1	
R7012	CHIP TYPE CARBON RESISTOR	RN72K1J-103JE	1	435031034R1	
R7013	CHIP TYPE CARBON RESISTOR	RN72K1J-103JE	1	435031034R1	
R7014	CHIP TYPE CARBON RESISTOR	RN72K1J-473JE	1	435034734R1	
R7015	CHIP TYPE CARBON RESISTOR	RN72K1J-103JE	1	435031034R1	
R7016	CHIP TYPE CARBON RESISTOR	RN72K1J-103JE	1	435031034R1	
R7017	CHIP RESISTOR NETWORK	YCN104-472-JK	1	43464C47204R1	
R7017 or	CHIP RESISTOR NETWORK	MNR04MRAPJ472	(1)	43464747204R2	N
R7018	CHIP TYPE CARBON RESISTOR	RN72K1J-221JE	1	435032214R1	
R7019	CHIP TYPE CARBON RESISTOR	RN72K1J-104JE	1	435031044R1	
R7021	CHIP TYPE CARBON RESISTOR	RN72K1J-221JE	1	435032214R1	
R7022	CHIP TYPE CARBON RESISTOR	RN72K1J-221JE	1	435032214R1	
R7025	CHIP TYPE CARBON RESISTOR	RN72K1J-105JE	1	435031054R1	
R7026	CHIP TYPE CARBON RESISTOR	RN72K1J-105JE	1	435031054R1	
R7027	CHIP TYPE CARBON RESISTOR	RN72K1J-470JE	1	435034704R1	
R7028	CHIP TYPE CARBON RESISTOR	RN72K1J-470JE	1	435034704R1	
R7029	CHIP TYPE CARBON RESISTOR	RN72K1J-102JE	1	435031024R1	
R7030	CHIP TYPE CARBON RESISTOR	RN72K1J-221JE	1	435032214R1	
R7031	CHIP RESISTOR NETWORK	YCN104-221-JK	1	43464C22104R1	
R7031 or	CHIP RESISTOR NETWORK	MNR04MRAPJ221	(1)	43464722104R2	
R7033	CHIP TYPE CARBON RESISTOR	RN72K1J-470JE	1	435034704R1	
R7035	CHIP RESISTOR NETWORK	YCN104-221-JK	1	43464C22104R1	
R7035 or	CHIP RESISTOR NETWORK	MNR04MRAPJ221	(1)	43464722104R2	
R7036	CHIP TYPE CARBON RESISTOR	RN72K1J-102JE	1	435031024R1	
R7037	CHIP TYPE CARBON RESISTOR	RN72K1J-221JE	1	435032214R1	
R7038	CHIP TYPE CARBON RESISTOR	RN72K1J-221JE	1	435032214R1	
R7039	CHIP TYPE CARBON RESISTOR	RN72K1J-222JE	1	435032224R1	
R7040	CHIP RESISTOR NETWORK	YCN104-470-JK	1	43464C47004R1	
R7040 or	CHIP RESISTOR NETWORK	MNR04MRAPJ470	(1)	43464747004R2	
R7041	CHIP RESISTOR NETWORK	YCN104-470-JK	1	43464C47004R1	
R7041 or	CHIP RESISTOR NETWORK	MNR04MRAPJ470	(1)	43464747004R2	
R7042	CHIP TYPE CARBON RESISTOR	RN72K1J-221JE	1	435032214R1	
R7043	CHIP TYPE CARBON RESISTOR	RN72K1J-332JE	1	435033324R1	
R7044	CHIP RESISTOR NETWORK	YCN104-470-JK	1	43464C47004R1	

R7044 or	CHIP RESISTOR NETWORK	MNR04MRAPJ470	(1)	43464747004R2
R7045	CHIP TYPE CARBON RESISTOR	RN72K1J-221JE	1	435032214R1
R7046	CHIP TYPE CARBON RESISTOR	RN72K1J-221JE	1	435032214R1
R7047	CHIP TYPE CARBON RESISTOR	RN72K1J-221JE	1	435032214R1
R7048	CHIP TYPE CARBON RESISTOR	RN72K1J-221JE	1	435032214R1
R7049	CHIP TYPE CARBON RESISTOR	RN72K1J-221JE	1	435032214R1
R7050	CHIP TYPE CARBON RESISTOR	RN72K1J-221JE	1	435032214R1
R7051	CHIP TYPE CARBON RESISTOR	RN72K1J-221JE	1	435032214R1
R7052	CHIP TYPE CARBON RESISTOR	RN72K1J-104JE	1	435031044R1
R7053	CHIP TYPE CARBON RESISTOR	RN72K1J-221JE	1	435032214R1
R7059	CHIP TYPE CARBON RESISTOR	RN72K1J-472JE	1	435034724R1
R7061	CHIP RESISTOR NETWORK	YCN104-221-JK	1	43464C22104R1
R7061 or	CHIP RESISTOR NETWORK	MNR04MRAPJ221	(1)	43464722104R2
R7063	CHIP TYPE CARBON RESISTOR	RN72K1J-103JE	1	435031034R1
R7065	CHIP TYPE CARBON RESISTOR	RN72K1J-103JE	1	435031034R1
R7067	CHIP TYPE CARBON RESISTOR	RN72K1J-103JE	1	435031034R1
R7070	CHIP TYPE CARBON RESISTOR	RN72K1J-470JE	1	435034704R1
R7072	CHIP TYPE CARBON RESISTOR	RN72K1J-103JE	1	435031034R1
R7073	CHIP TYPE CARBON RESISTOR	RN72K1J-102JE	1	435031024R1
R7075	CHIP RESISTOR NETWORK	YCN104-470-JK	1	43464C47004R1
R7075 or	CHIP RESISTOR NETWORK	MNR04MRAPJ470	(1)	43464747004R2
R7076	CHIP RESISTOR NETWORK	YCN104-470-JK	1	43464C47004R1
R7076 or	CHIP RESISTOR NETWORK	MNR04MRAPJ470	(1)	43464747004R2
R7077	CHIP TYPE CARBON RESISTOR	RN72K1J-102JE	1	435031024R1
R7078	CHIP TYPE CARBON RESISTOR	RN72K1J-102JE	1	435031024R1
R7079	CHIP TYPE CARBON RESISTOR	RN72K1J-103JE	1	435031034R1
R7081	CHIP RESISTOR NETWORK	YCN104-470-JK	1	43464C47004R1
R7081 or	CHIP RESISTOR NETWORK	MNR04MRAPJ470	(1)	43464747004R2
R7082	CHIP TYPE CARBON RESISTOR	RN72K1J-103JE	1	435031034R1
R7084	CHIP TYPE CARBON RESISTOR	RN72K1J-331JE	1	435033314R1
R7086	CHIP TYPE CARBON RESISTOR	RN72K1J-331JE	1	435033314R1
R7087	CHIP TYPE CARBON RESISTOR	RN72K1J-273JE	1	435032734R1
R7093	CHIP TYPE CARBON RESISTOR	RN72K1J-472JE	1	435034724R1
R7094	CHIP TYPE CARBON RESISTOR	RN72K1J-472JE	1	435034724R1
R7095	CHIP RESISTOR NETWORK	YCN104-221-JK	1	43464C22104R1
R7095 or	CHIP RESISTOR NETWORK	MNR04MRAPJ221	(1)	43464722104R2
R7096	CHIP TYPE CARBON RESISTOR	RN72K1J-221JE	1	435032214R1
R7098	CHIP RESISTOR NETWORK	YCN104-470-JK	1	43464C47004R1
R7098 or	CHIP RESISTOR NETWORK	MNR04MRAPJ470	(1)	43464747004R2
R7101	CHIP TYPE CARBON RESISTOR	RN72K1J-221JE	1	435032214R1
R7103	CHIP TYPE CARBON RESISTOR	RN72K1J-105JE	1	435031054R1
R7105	CHIP RESISTOR NETWORK	YCN104-470-JK	1	43464C47004R1
R7105 or	CHIP RESISTOR NETWORK	MNR04MRAPJ470	(1)	43464747004R2
R7106	CHIP TYPE CARBON RESISTOR	RN72K1J-101JE	1	435031014R1
R7107	CHIP TYPE CARBON RESISTOR	RN72K1J-101JE	1	435031014R1
R7108	CHIP RESISTOR NETWORK	YCN104-103-JK	1	43464C10304R1
R7108 or	CHIP RESISTOR NETWORK	MNR04MRAPJ103	(1)	43464710304R2
R7110	CHIP TYPE CARBON RESISTOR	RN72K1J-103JE	1	435031034R1
R7114	CHIP TYPE CARBON RESISTOR	RN72K1J-470JE	1	435034704R1
R7120	CHIP TYPE CARBON RESISTOR	RN72K1J-103JE	1	435031034R1
R7121	CHIP TYPE CARBON RESISTOR	RN72K1J-105JE	1	435031054R1
R7122	CHIP TYPE CARBON RESISTOR	RN72K1J-105JE	1	435031054R1
R7124	CHIP TYPE CARBON RESISTOR	RN72K1J-223JE	1	435032234R1
R7125	CHIP TYPE CARBON RESISTOR	RN72K1J-224JE	1	435032244R1
R7131	CHIP TYPE CARBON RESISTOR	RN72K1J-221JE	1	435032214R1
R7133	CHIP TYPE CARBON RESISTOR	RN72K1J-221JE	1	435032214R1
R7134	CHIP TYPE CARBON RESISTOR	RN72K1J-221JE	1	435032214R1
R7136	CHIP TYPE CARBON RESISTOR	RN72K1J-470JE	1	435034704R1
R7137	CHIP TYPE CARBON RESISTOR	RN72K1J-470JE	1	435034704R1
R7140	CHIP TYPE CARBON RESISTOR	RN72K1J-103JE	1	435031034R1
R7141	CHIP TYPE CARBON RESISTOR	RN72K1J-103JE	1	435031034R1
R7142	CHIP TYPE CARBON RESISTOR	RN72K1J-470JE	1	435034704R1
R7148	CHIP TYPE CARBON RESISTOR	RN72K1J-221JE	1	435032214R1
R7153	CHIP TYPE CARBON RESISTOR	RN72K1J-104JE	1	435031044R1
R7173	CHIP TYPE CARBON RESISTOR	RN72K1J-470JE	1	435034704R1
R7180	CHIP TYPE CARBON RESISTOR	RN72K1J-272JE	1	435032724R1
R7181	CHIP TYPE CARBON RESISTOR	RN72K1J-272JE	1	435032724R1

R7182	CHIP TYPE CARBON RESISTOR	RN72K1J-272JE	1	435032724R1
R7183	CHIP TYPE CARBON RESISTOR	RN72K1J-272JE	1	435032724R1
R7184	CHIP TYPE CARBON RESISTOR	RN72K1J-103JE	1	435031034R1
R7187	CHIP TYPE CARBON RESISTOR	RN72K1J-104JE	1	435031044R1
R7188	CHIP TYPE CARBON RESISTOR	RN72K1J-104JE	1	435031044R1
R8001	CHIP TYPE CARBON RESISTOR	RN72K1J-182JE	1	435031824R1
R8002	CHIP TYPE CARBON RESISTOR	RN72K1J-182JE	1	435031824R1
R8003	CHIP TYPE CARBON RESISTOR	RN72K1J-101JE	1	435031014R1
R8004	CHIP TYPE CARBON RESISTOR	RN72K1J-101JE	1	435031014R1
R8005	CHIP TYPE CARBON RESISTOR	RN72K1J-100JE	1	435031004R1
R8006	CHIP TYPE CARBON RESISTOR	RN72K1J-100JE	1	435031004R1
R8007	CHIP TYPE CARBON RESISTOR	RN72K1J-101JE	1	435031014R1
R8008	CHIP TYPE CARBON RESISTOR	RN72K1J-101JE	1	435031014R1
R8009	CHIP TYPE CARBON RESISTOR	RN72K1J-103FE	1	435031032R1
R8010	CHIP TYPE CARBON RESISTOR	RN72K1J-223FE	1	435032232R1
R8015	CHIP TYPE CARBON RESISTOR	RN72K1J-100JE	1	435031004R1
R8018	CHIP TYPE CARBON RESISTOR	RN72K1J-222JE	1	435032224R1
R8019	CHIP TYPE CARBON RESISTOR	RN72K1J-222JE	1	435032224R1
R8030	CHIP TYPE CARBON RESISTOR	RN72K1J-473JE	1	435034734R1
R8031	CHIP RESISTOR NETWORK	YCN104-220-JK	1	43464C22004R1
R8031 or	CHIP RESISTOR NETWORK	MNR04MRAPJ220	(1)	43464722004R2
R8032	CHIP RESISTOR NETWORK	YCN104-220-JK	1	43464C22004R1
R8032 or	CHIP RESISTOR NETWORK	MNR04MRAPJ220	(1)	43464722004R2
R8033	CHIP TYPE CARBON RESISTOR	RN72K1J-104FE	1	435031042R1
R8051	CHIP TYPE CARBON RESISTOR	RN72K1J-103JE	1	435031034R1
R8052	CHIP TYPE CARBON RESISTOR	RN72K1J-103JE	1	435031034R1
R8053	CHIP TYPE CARBON RESISTOR	RN72K1J-104JE	1	435031044R1
R8060	CHIP TYPE CARBON RESISTOR	RN72K1J-330JE	1	435033304R1
R8061	CHIP TYPE CARBON RESISTOR	RN72K1J-330JE	1	435033304R1
R8062	CHIP TYPE CARBON RESISTOR	RN72K1J-330JE	1	435033304R1
R8063	CHIP TYPE CARBON RESISTOR	RN72K1J-330JE	1	435033304R1
R8064	CHIP TYPE CARBON RESISTOR	RN72K1J-330JE	1	435033304R1
R8065	CHIP TYPE CARBON RESISTOR	RN72K1J-330JE	1	435033304R1
R8066	CHIP TYPE CARBON RESISTOR	RN72K1J-330JE	1	435033304R1
R8071	CHIP TYPE CARBON RESISTOR	RN72K1J-000JE	1	435030004R1
R8072	CHIP TYPE CARBON RESISTOR	RN72K1J-330JE	1	435033304R1
R8073	CHIP TYPE CARBON RESISTOR	RN72K1J-000JE	1	435030004R1
R8074	CHIP TYPE CARBON RESISTOR	RN72K1J-000JE	1	435030004R1
R8075	CHIP TYPE CARBON RESISTOR	RN72K1J-473JE	1	435034734R1
R8076	CHIP TYPE CARBON RESISTOR	RN72K1J-473JE	1	435034734R1
R8077	CHIP TYPE CARBON RESISTOR	RN72K1J-100JE	1	435031004R1
R8078	CHIP TYPE CARBON RESISTOR	RN72K1J-100JE	1	435031004R1
R8079	CHIP TYPE CARBON RESISTOR	RN72K1J-100JE	1	435031004R1
R8080	CHIP TYPE CARBON RESISTOR	RN72K1J-100JE	1	435031004R1
R8081	CHIP TYPE CARBON RESISTOR	RN72K1J-100JE	1	435031004R1
R8082	CHIP TYPE CARBON RESISTOR	RN72K1J-100JE	1	435031004R1
R8083	CHIP TYPE CARBON RESISTOR	RN72K1J-100JE	1	435031004R1
R8084	CHIP TYPE CARBON RESISTOR	RN72K1J-100JE	1	435031004R1
R8085	CHIP TYPE CARBON RESISTOR	RN72K1J-100JE	1	435031004R1
R8086	CHIP TYPE CARBON RESISTOR	RN72K1J-100JE	1	435031004R1
R8087	CHIP TYPE CARBON RESISTOR	RN72K1J-100JE	1	435031004R1
R8088	CHIP TYPE CARBON RESISTOR	RN72K1J-103JE	1	435031034R1
R8089	CHIP TYPE CARBON RESISTOR	RN72K1J-100JE	1	435031004R1
R8090	CHIP TYPE CARBON RESISTOR	RN72K1J-103JE	1	435031034R1
R8093	CHIP TYPE CARBON RESISTOR	RN72K1J-330JE	1	435033304R1
R8094	CHIP TYPE CARBON RESISTOR	RN72K1J-330JE	1	435033304R1
R8095	CHIP TYPE CARBON RESISTOR	RN72K1J-330JE	1	435033304R1
R8096	CHIP TYPE CARBON RESISTOR	RN72K1J-330JE	1	435033304R1
R8097	CHIP TYPE CARBON RESISTOR	RN72K1J-330JE	1	435033304R1
R8098	CHIP TYPE CARBON RESISTOR	RN72K1J-330JE	1	435033304R1
R8099	CHIP TYPE CARBON RESISTOR	RN72K1J-330JE	1	435033304R1
R8101	CHIP TYPE CARBON RESISTOR	RN72K1J-000JE	1	435030004R1
R8103	CHIP TYPE CARBON RESISTOR	RN72K1J-272JE	1	435032724R1
R8104	CHIP TYPE CARBON RESISTOR	RN72K1J-103JE	1	435031034R1
R8105	CHIP TYPE CARBON RESISTOR	RN72K1J-000JE	1	435030004R1
R8106	CHIP TYPE CARBON RESISTOR	RN72K1J-472JE	1	435034724R1
R8107	CHIP TYPE CARBON RESISTOR	RN72K1J-100JE	1	435031004R1

R8633	CHIP TYPE CARBON RESISTOR	RN72K1J-473JE	1	435034734R1
R8634	CHIP TYPE CARBON RESISTOR	RN72K1J-473JE	1	435034734R1
R8635	CHIP TYPE CARBON RESISTOR	RN72K1J-102JE	1	435031024R1
R8636	CHIP TYPE CARBON RESISTOR	RN72K1J-103JE	1	435031034R1
R8643	CHIP TYPE CARBON RESISTOR	RN72K1J-473JE	1	435034734R1
R8644	CHIP TYPE CARBON RESISTOR	RN72K1J-473JE	1	435034734R1
R8645	CHIP TYPE CARBON RESISTOR	RN72K1J-102JE	1	435031024R1
R8646	CHIP TYPE CARBON RESISTOR	RN72K1J-103JE	1	435031034R1
R8702	CHIP TYPE CARBON RESISTOR	RN72K1J-000JE	1	435030004R1
R8703	CHIP TYPE CARBON RESISTOR	RN72K1J-472JE	1	435034724R1
R8704	CHIP TYPE CARBON RESISTOR	RN72K1J-473JE	1	435034734R1
R8711	CHIP RESISTOR NETWORK	YCN104-470-JK	1	43464C47004R1
R8711 or	CHIP RESISTOR NETWORK	MNR04MRAPJ470	(1)	43464747004R2
R8712	CHIP RESISTOR NETWORK	YCN104-470-JK	1	43464C47004R1
R8712 or	CHIP RESISTOR NETWORK	MNR04MRAPJ470	(1)	43464747004R2
R8713	CHIP RESISTOR NETWORK	YCN104-220-JK	1	43464C22004R1
R8713 or	CHIP RESISTOR NETWORK	MNR04MRAPJ220	(1)	43464722004R2
R8721	CHIP TYPE CARBON RESISTOR	RN72K1J-470JE	1	435034704R1
R8722	CHIP TYPE CARBON RESISTOR	RN72K1J-470JE	1	435034704R1
R8725	CHIP TYPE CARBON RESISTOR	RN72K1J-222JE	1	435032224R1
R8727	CHIP TYPE CARBON RESISTOR	RN72K1J-103JE	1	435031034R1
R8730	CHIP RESISTOR NETWORK	YCN104-103-JK	1	43464C10304R1
R8730 or	CHIP RESISTOR NETWORK	MNR04MRAPJ103	(1)	43464710304R2
R8732	CHIP TYPE CARBON RESISTOR	RN72K1J-221JE	1	435032214R1
R8733	CHIP TYPE CARBON RESISTOR	RN72K1J-105JE	1	435031054R1
R8734	CHIP TYPE CARBON RESISTOR	RN72K1J-221JE	1	435032214R1
R8740	CHIP TYPE CARBON RESISTOR	RN72K1J-222JE	1	435032224R1
R8745	CHIP TYPE CARBON RESISTOR	RN72K1J-103JE	1	435031034R1
R8747	CHIP TYPE CARBON RESISTOR	RN72K1J-222JE	1	435032224R1
R8782	CHIP RESISTOR NETWORK	YCN104-470-JK	1	43464C47004R1
R8782 or	CHIP RESISTOR NETWORK	MNR04MRAPJ470	(1)	43464747004R2
R8783	CHIP TYPE CARBON RESISTOR	RN72K1J-473JE	1	435034734R1
R8901	CHIP TYPE CARBON RESISTOR	RN72K1J-104JE	1	435031044R1
R8902	CHIP TYPE CARBON RESISTOR	RN72K1J-473JE	1	435034734R1
R8903	CHIP TYPE CARBON RESISTOR	RN72K1J-102JE	1	435031024R1
R8904	CHIP TYPE CARBON RESISTOR	RN72K1J-103JE	1	435031034R1
R8906	CHIP TYPE CARBON RESISTOR	RN72K1J-152JE	1	435031524R1
R8921	CHIP TYPE CARBON RESISTOR	RN72K1J-000JE	1	435030004R1
R8931	CHIP TYPE CARBON RESISTOR	RN72K1J-102JE	1	435031024R1
R8932	CHIP TYPE CARBON RESISTOR	RN72K1J-104JE	1	435031044R1
R8933	CHIP TYPE CARBON RESISTOR	RN72K1J-332JE	1	435033324R1
R8934	CHIP TYPE CARBON RESISTOR	RN72K1J-272FE	1	435032722R1
R8935	CHIP TYPE CARBON RESISTOR	RN72K1J-222FE	1	435032222R1
R8936	CHIP TYPE CARBON RESISTOR	RN72K1J-103FE	1	435031032R1
R8941	CHIP TYPE CARBON RESISTOR	RN72K1J-102JE	1	435031024R1
R8942	CHIP TYPE CARBON RESISTOR	RN72K1J-104JE	1	435031044R1
R8943	CHIP TYPE CARBON RESISTOR	RN72K1J-472JE	1	435034724R1
R8944	CHIP TYPE CARBON RESISTOR	RN72K1J-332FE	1	435033322R1
R8945	CHIP TYPE CARBON RESISTOR	RN72K1J-682FE	1	435036822R1
R8946	CHIP TYPE CARBON RESISTOR	RN72K1J-103FE	1	435031032R1
R8951	CHIP TYPE CARBON RESISTOR	RN72K1J-102JE	1	435031024R1
R8952	CHIP TYPE CARBON RESISTOR	RN72K1J-104JE	1	435031044R1
R8953	CHIP TYPE CARBON RESISTOR	RN72K1J-682JE	1	435036824R1
R8954	CHIP TYPE CARBON RESISTOR	RN72K1J-333FE	1	435033332R1
R8955	CHIP TYPE CARBON RESISTOR	RN72K1J-124FE	1	435031242R1
R8956	CHIP TYPE CARBON RESISTOR	RN72K1J-103FE	1	435031032R1
R8961	CHIP TYPE CARBON RESISTOR	RN72K1J-104JE	1	435031044R1
R8962	CHIP TYPE CARBON RESISTOR	RN72K1J-154JE	1	435031544R1
R8964	CHIP TYPE CARBON RESISTOR	RN72K1J-473FE	1	435034732R1
R8965	CHIP TYPE CARBON RESISTOR	RN72K1J-225JE	1	435032254R1
R8966	CHIP TYPE CARBON RESISTOR	RN72K1J-103FE	1	435031032R1
R8968	CHIP TYPE CARBON RESISTOR	RN72K1J-153JE	1	435031534R1
R8969	CHIP TYPE CARBON RESISTOR	RN72K1J-153JE	1	435031534R1
R8970	CHIP TYPE CARBON RESISTOR	RN72K1J-104JE	1	435031044R1
[SW TRM]				
P2800B	SOCKET	IMSA-9618S-23A	1	25053348R2
P2801B	PLUG	NPLG-3P916	1	25055963R2

P3100	SOCKET	UJA01SB4090-72R	1	25053533R2
P501B	PLUG	NPLG-3P916	1	25055963R2
P7001A	SOCKET	IMSA-9618S-23A	1	25053348R2
P7051A	SOCKET	NSCT-9P2472	1	25052575R2
P7053	SOCKET	IMSA-9618S-09A	1	25053334R2
P7801	SOCKET	NSCT-9P2472	1	25052575R2
P780A	PLUG	NPLG-9P1106	1	25056167R2
P8001	SOCKET	51U019S-3HFDN-BD-SM	1	25053549R3
P8001 or	SOCKET	HDMI(47266-4101)	(1)	25053389R3
P8001 or	SOCKET	TCX3423-311387	(1)	25060513R3
P8001A	SOCKET	IMSA-9618S-23A	1	25053348R2
P8002A	SOCKET	IMSA-9618S-17A	1	25053342R2
P8104	SOCKET	NSCT-8P2471	1	25052574R2
P8611	SOCKET	51U019S-3HFDN-BD-SM	1	25053549R3
P8611 or	SOCKET	HDMI(47266-4101)	(1)	25053389R3
P8611 or	SOCKET	TCX3423-311387	(1)	25060513R3
P8621	SOCKET	51U019S-3HFDN-BD-SM	1	25053549R3
P8621 or	SOCKET	HDMI(47266-4101)	(1)	25053389R3
P8621 or	SOCKET	TCX3423-311387	(1)	25060513R3
P8631	SOCKET	51U019S-3HFDN-BD-SM	1	25053549R3
P8631 or	SOCKET	HDMI(47266-4101)	(1)	25053389R3
P8631 or	SOCKET	TCX3423-311387	(1)	25060513R3
P8641	SOCKET	51U019S-3HFDN-BD-SM	1	25053549R3
P8641 or	SOCKET	HDMI(47266-4101)	(1)	25053389R3
P8641 or	SOCKET	TCX3423-311387	(1)	25060513R3
P8902	PLUG	NPLG-2P915	1	25055962R2
P9011B	PLUG	NPLG-5P918	1	25055965R2

U005

BARF-1764-1A

: NSP

CIRCUIT NC	PART NAME	DESCRIPTION	Q'TY	PART NO. (SN)	REMARKS
[TRANS COIL]					
L780	CORE	BLM15PX181SN1D	1	2350033R1	
L782	CORE	BLM15PX181SN1D	1	2350033R1	
L783	EMI SUPPRESSION FILTER	BK1608LL241-T	1	230959R1	
L784	EMI SUPPRESSION FILTER	BK1608LL241-T	1	230959R1	
L785	EMI SUPPRESSION FILTER	BK1608LL241-T	1	230959R1	
Q781	BT MODULE	HRM1034	1	24150126R2	N
[CAPACITOR]					
C786	CHIP TYPE CERAMIC CAPACITOR	CK725B1C-104K0	1	332011045R1	
C787	CHIP TYPE CERAMIC CAPACITOR	CK725B1H-103K0	1	332031035R1	
C790	CHIP TYPE CERAMIC CAPACITOR	CK725B1C-104K0	1	332011045R1	
C791	CHIP TYPE CERAMIC CAPACITOR	CK725B1H-103K0	1	332031035R1	
[RESISTOR]					
R784	CHIP TYPE CARBON RESISTOR	RN72K1J-221JE	1	435032214R1	
R785	CHIP TYPE CARBON RESISTOR	RN72K1J-220JE	1	435032204R1	
R786	CHIP TYPE CARBON RESISTOR	RN72K1J-220JE	1	435032204R1	
R787	CHIP TYPE CARBON RESISTOR	RN72K1J-101JE	1	435031014R1	
R788	CHIP TYPE CARBON RESISTOR	RN72K1J-103JE	1	435031034R1	
R792	CHIP TYPE CARBON RESISTOR	RN72K1J-000JE	1	435030004R1	
R793	CHIP TYPE CARBON RESISTOR	RN72K1J-221JE	1	435032214R1	
R794	CHIP TYPE CARBON RESISTOR	RN72K1J-221JE	1	435032214R1	
R795	CHIP TYPE CARBON RESISTOR	RN72K1J-000JE	1	435030004R1	
[SW TRM]					
P780B	PLUG	SM09B-SRSS-TB	1	25056386R2	