

Date: 02/27/03

Ref #: SR500LFE-01-VID

Title: TX-SR500B

Classification: Mandatory Service Bulletin

Symptom: 1) In some units, LFE (SW Setting) Mode #3 may not have any out put when playing DD material.

Symptom: 2) In production lower value of capacitors were used on PCB NAVD-7422, locations C C203, C205, C211, and C215 that may cause Video jitter, Vertical roll and Video mute in TV-Monitors.

Solution: 1) In some units improper software was used for System Control Microprocessor (Q7008). Follow the table to establish remedy only for those units having microprocessors considered having "No LFE (Mode-3)".

PN (Q7008)	Description (Q7008)	Status	Memo
22241765R3	UPD784225GC-166	GOOD	Need Not Replace
22241842R3	UPD784225GC-176	No LFE (Mode-3)	NLA
22241881R3	UPD784225GC-183	No LFE (Mode-3)	NLA
22241957R3	UPD784225GC-215	GOOD	Available, Supplied

When addressing service for above described problem, check and confirm that the microprocessor Q7008 suffix is other than xx-166 or xx-215 and then proceed to replace.

Proper SM component removal technique is expected.

Solution: 2) C203, C205, C211, and C215 must be changed from their current value of 47uf or 100uf to 1000uf. Please refer to page #2 bulletin "TR500-SR500-VID" for solution.



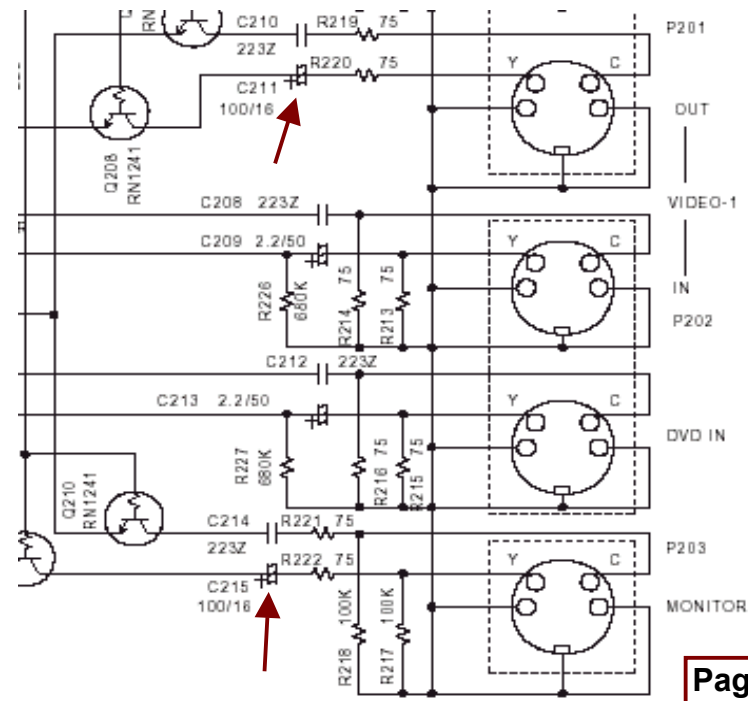
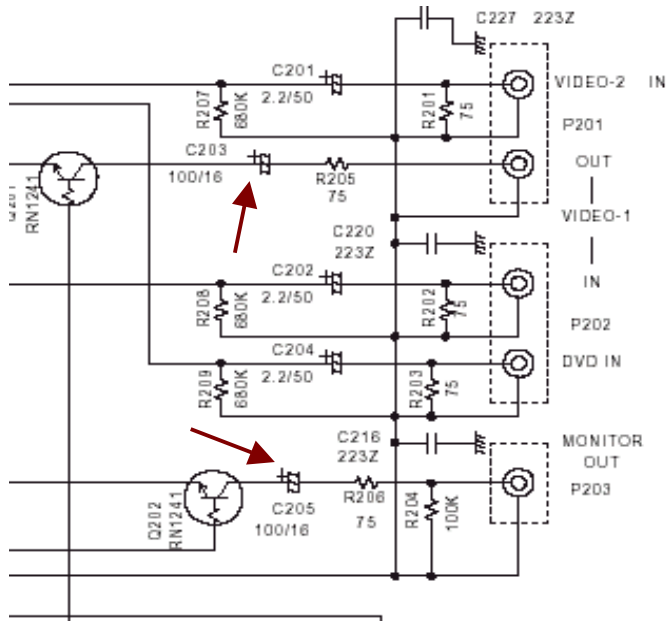
Model: HTR-500, TX-SR500

Ref: TR500-SR500-VID

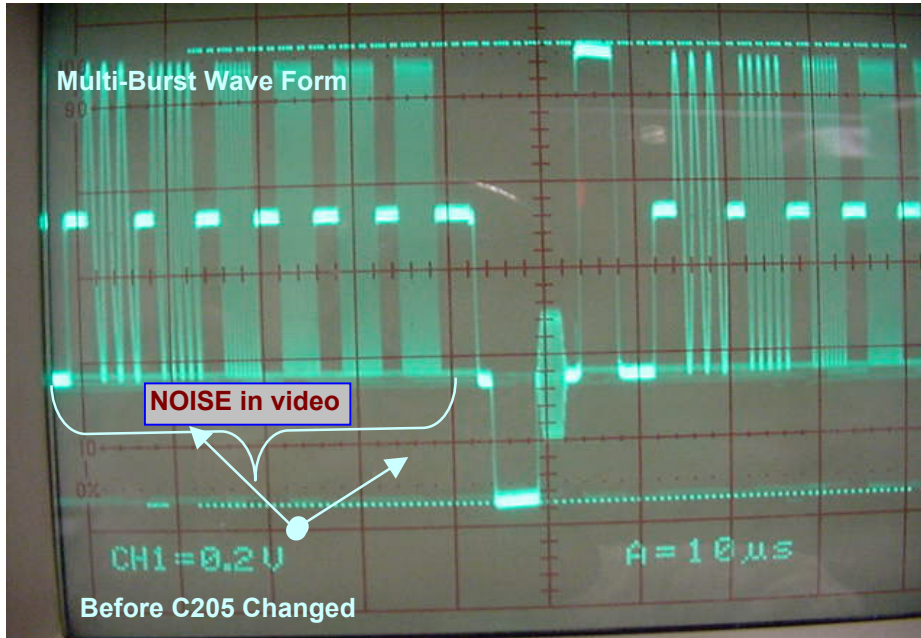
Application: Mandatory Service Bulletin

Problem: In some rare occasions, some TV-Monitors may experience Video Mute, Unusable Signal and Vertical Jumping video conditions when S-Video and Video is sent through receiver.

Solution: Replace C203, C205, C211, and C215 with 1000uf 6.3v capacitors. Part Number 354721029.



HT-R500 and TX-SR500 Disclosed information is only based on Composite Monitor Output. The change and modification will also apply to the S-Video Monitor Output as well.



In HT-R500 a change in C205 from its current value 100uf16V capacitor to 1000/6.3V will help eliminate the ringing and jitter in video waveform.

