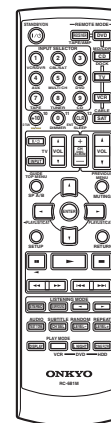
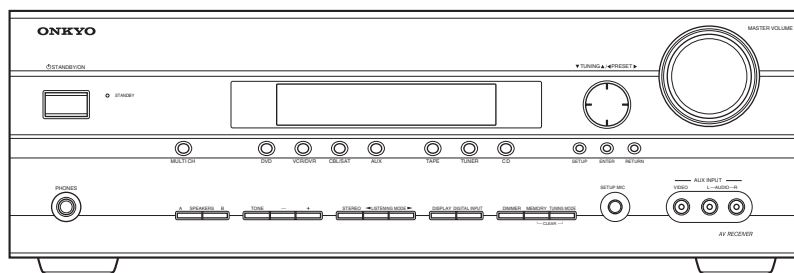


ONKYO SERVICE MANUAL

AV RECEIVER MODEL TX-SR505 MODEL TX-SR505E



RC-681M


TX-SR505 Black, Silver and Golden models

B MDD, B MDC, S MDC	120V AC, 60Hz
B MWO, S MWO	120/220-240V AC, 50/60Hz
S MGK, G MGK	220-230V AC, 50/60Hz
G MWT	120/220-240V AC, 50/60Hz
G MGQ	220-230V AC, 50/60Hz

TX-SR505E Black and Silver models

B MPP, S MPP	230V AC, 50Hz
--------------	---------------

SAFETY-RELATED COMPONENT WARNING!!

COMPONENTS IDENTIFIED BY MARK  ON THE SCHEMATIC DIAGRAM AND IN THE PARTS LIST ARE CRITICAL FOR RISK OF FIRE AND ELECTRIC SHOCK. REPLACE THESE COMPONENTS WITH ONKYO PARTS WHOSE PART NUMBERS APPEAR AS SHOWN IN THIS MANUAL.

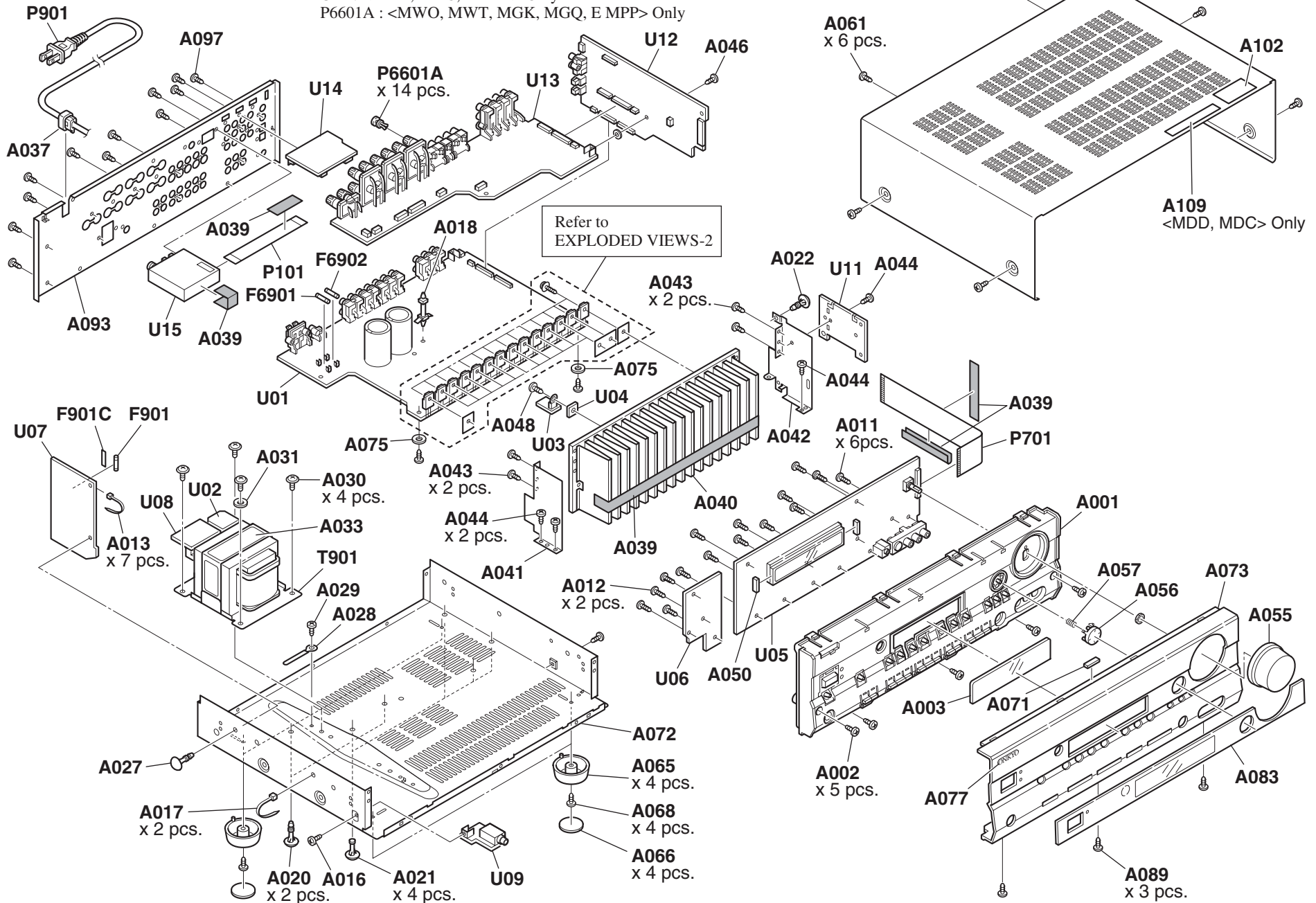
MAKE LEAKAGE-CURRENT OR RESISTANCE MEASUREMENTS TO DETERMINE THAT EXPOSED PARTS ARE ACCEPTABLY INSULATED FROM THE SUPPLY CIRCUIT BEFORE RETURNING THE APPLIANCE TO THE CUSTOMER.

EXPLODED VIEWS-1

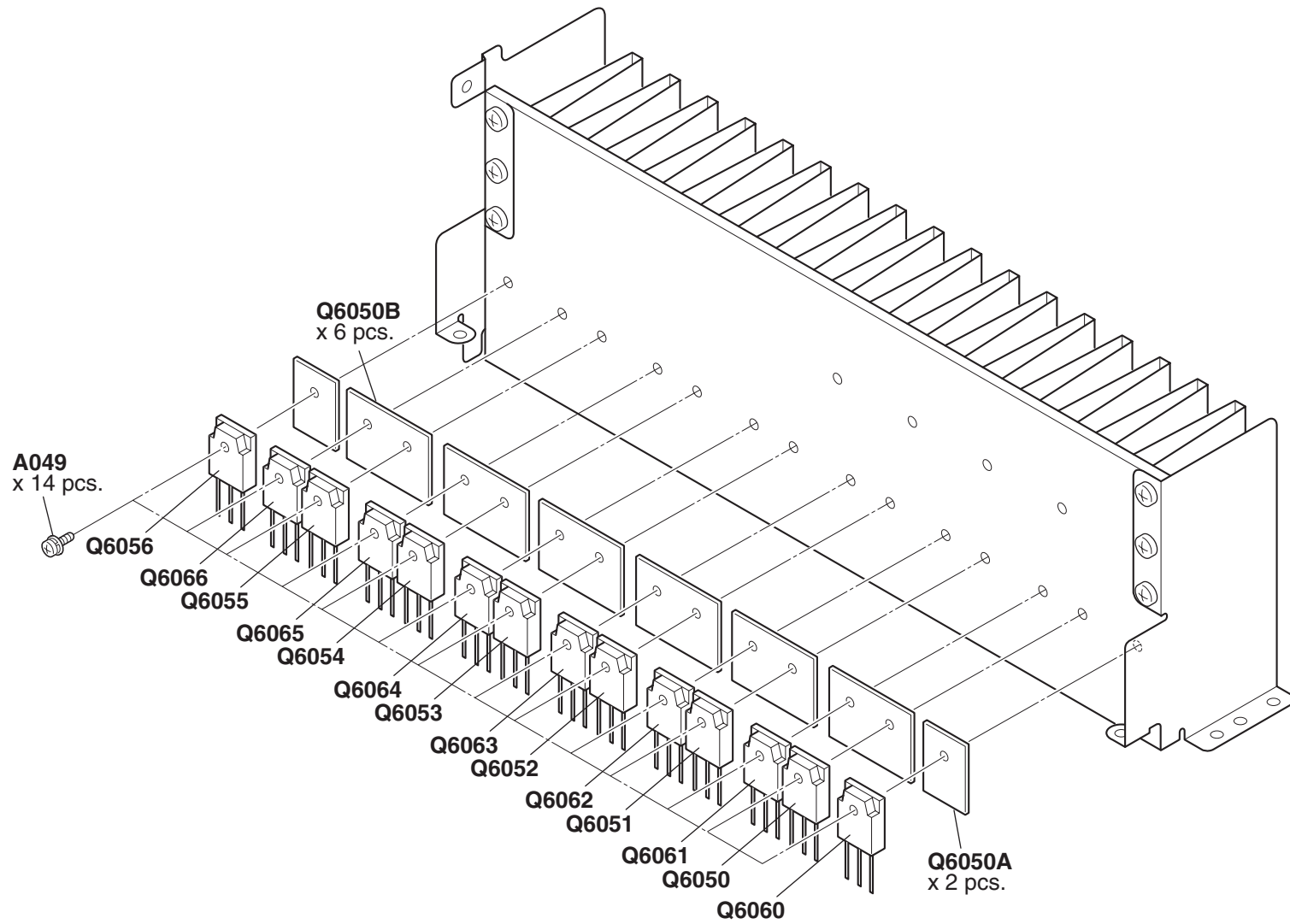
<Notes>

U14 : <MDD, MDC, E MPP> Only

P6601A : <MWO, MWT, MGK, MGQ, E MPP> Only



EXPLODED VIEWS-2



A

B

C

D

BLOCK DIAGRAMS-1

AUDIO SECTION

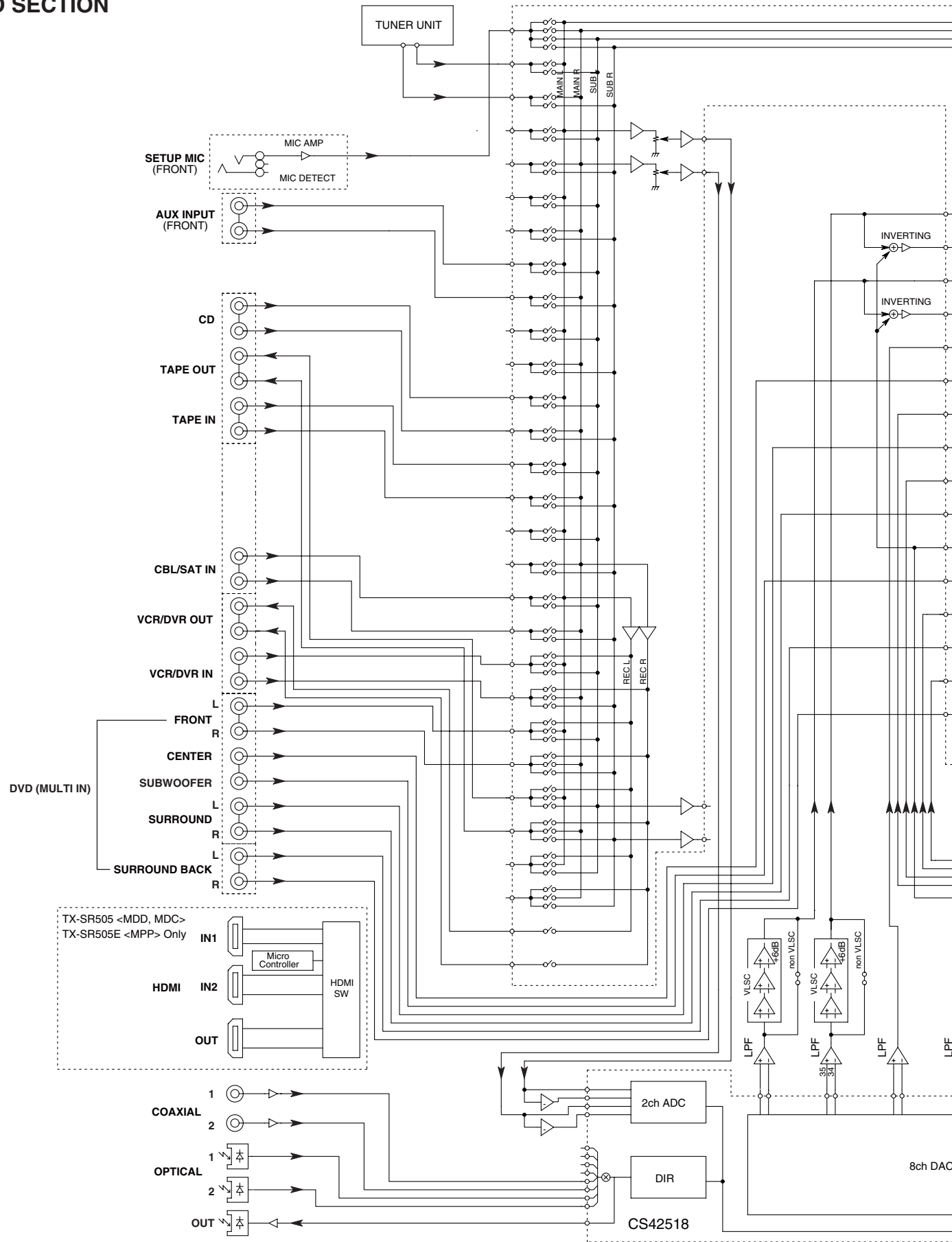
1

2

3

4

5



TX-SR505 <MDD, MDC>
TX-SR505E <MPP> Only

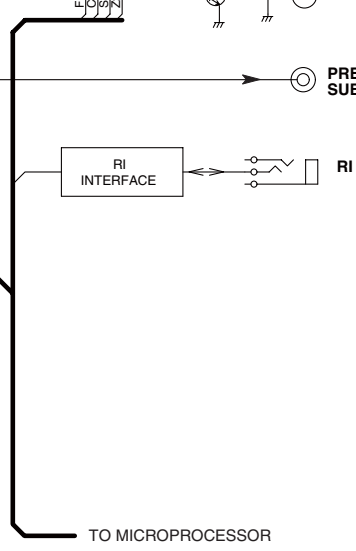
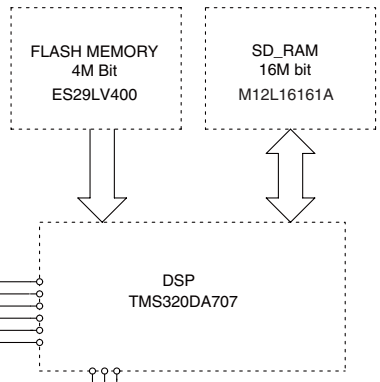
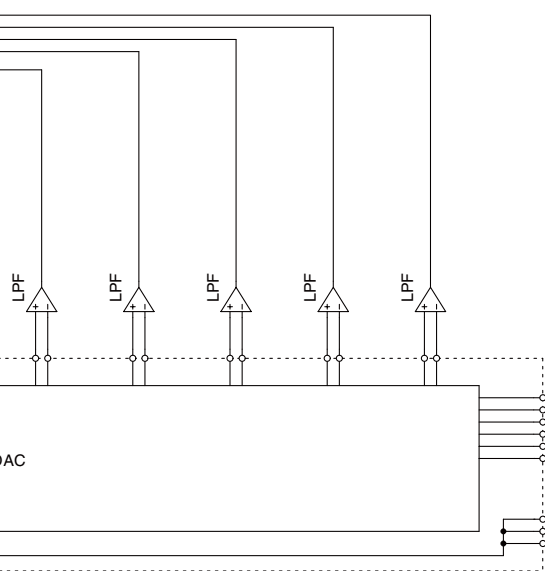
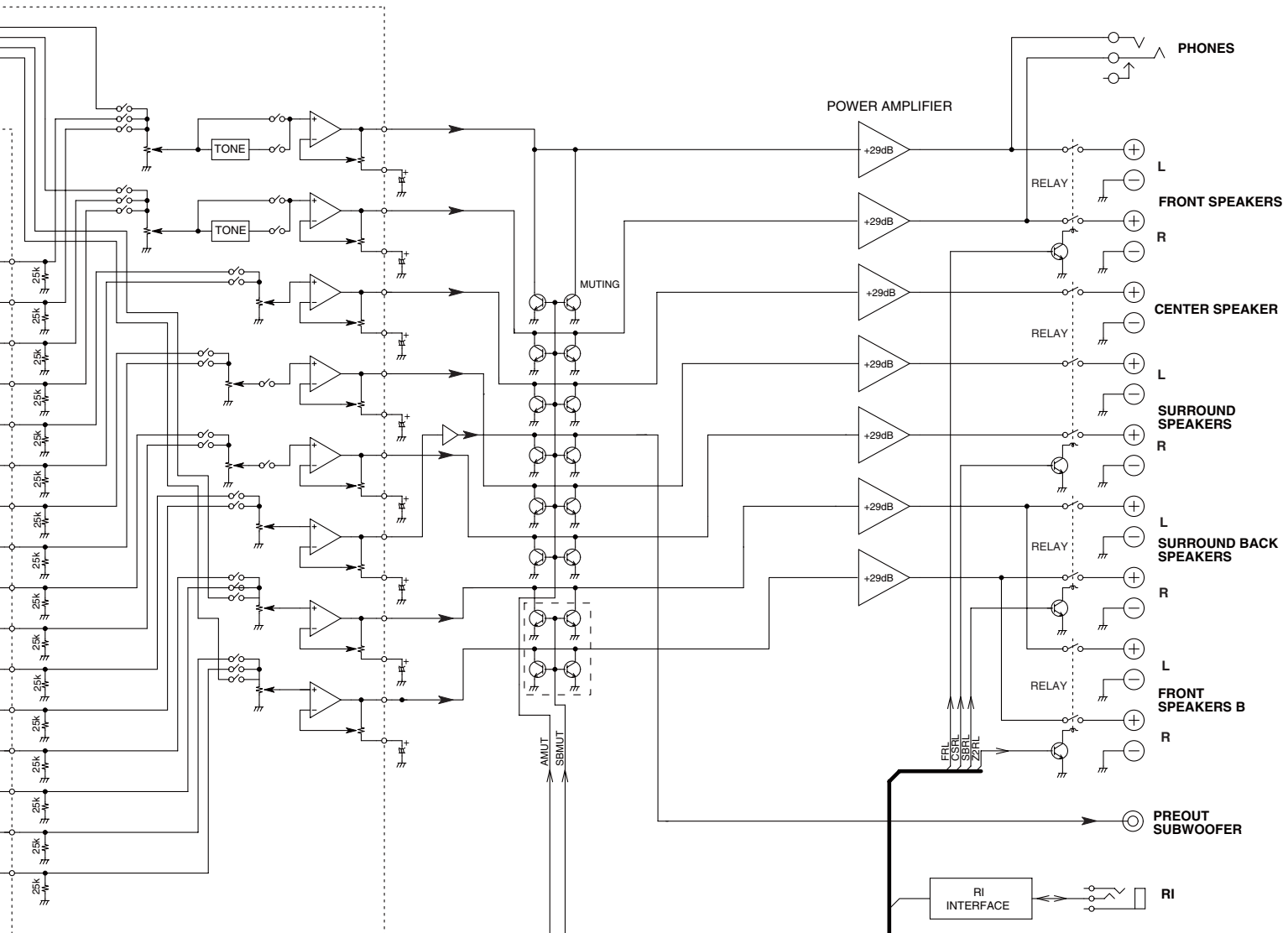
IN1
HDMI IN2
OUT

Micro Controller
HDMI SW

2ch ADC
DIR
CS42518

VLS 146dB
non VLS
VLS 146dB
non VLS
LPF
35dB
3dB
LPF
LPF
LPF
LPF
8ch DAC
INVERTING

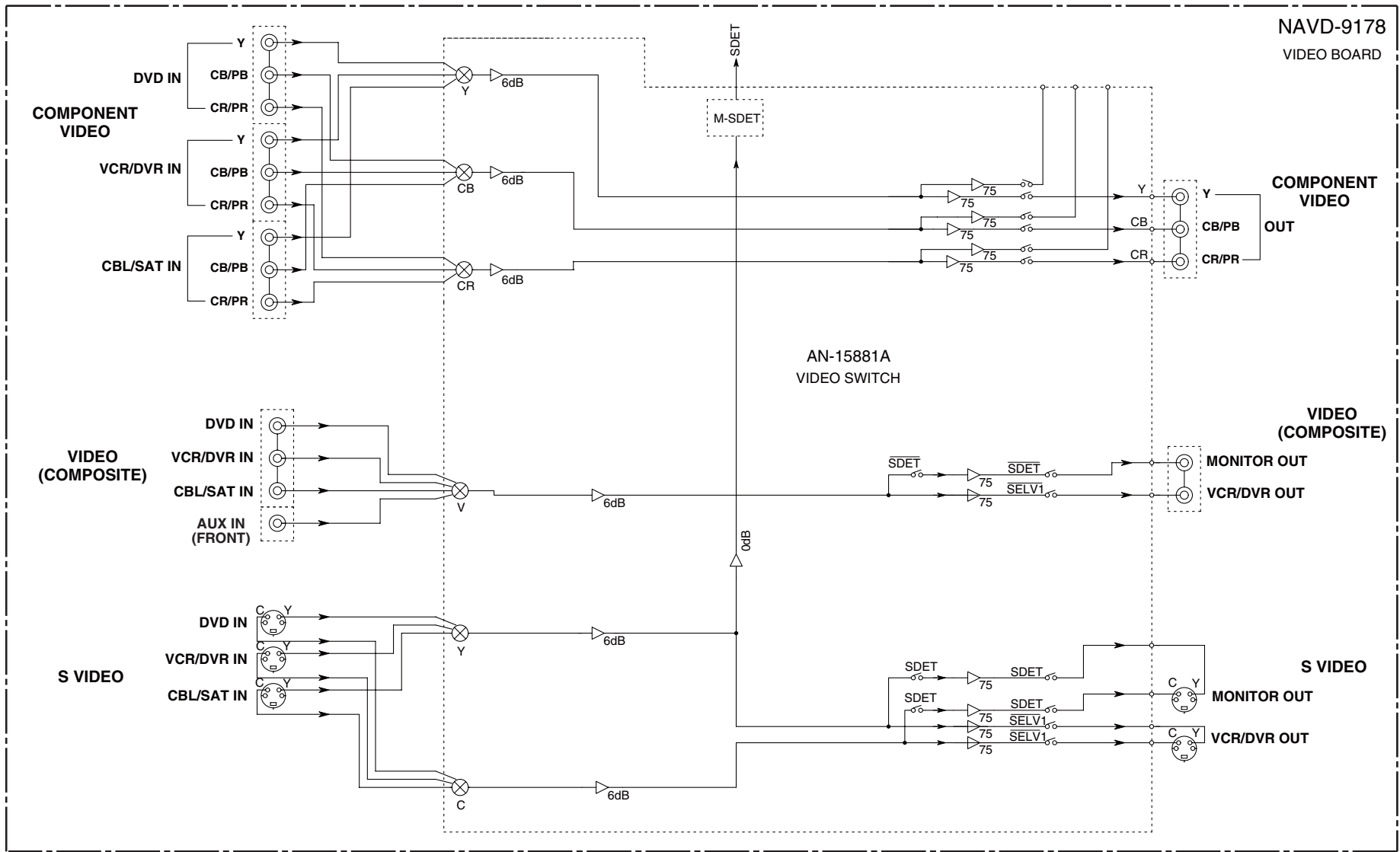
E F G H



BLOCK DIAGRAMS-2
VIDEO SECTION

1
2
3
4

A B C D E



SCHEMATIC DIAGRAMS-1

AUDIO INPUT SECTION

To NADG-9177
(SD-3 : A2)

To NADG-9177
(SD-3 : A2)

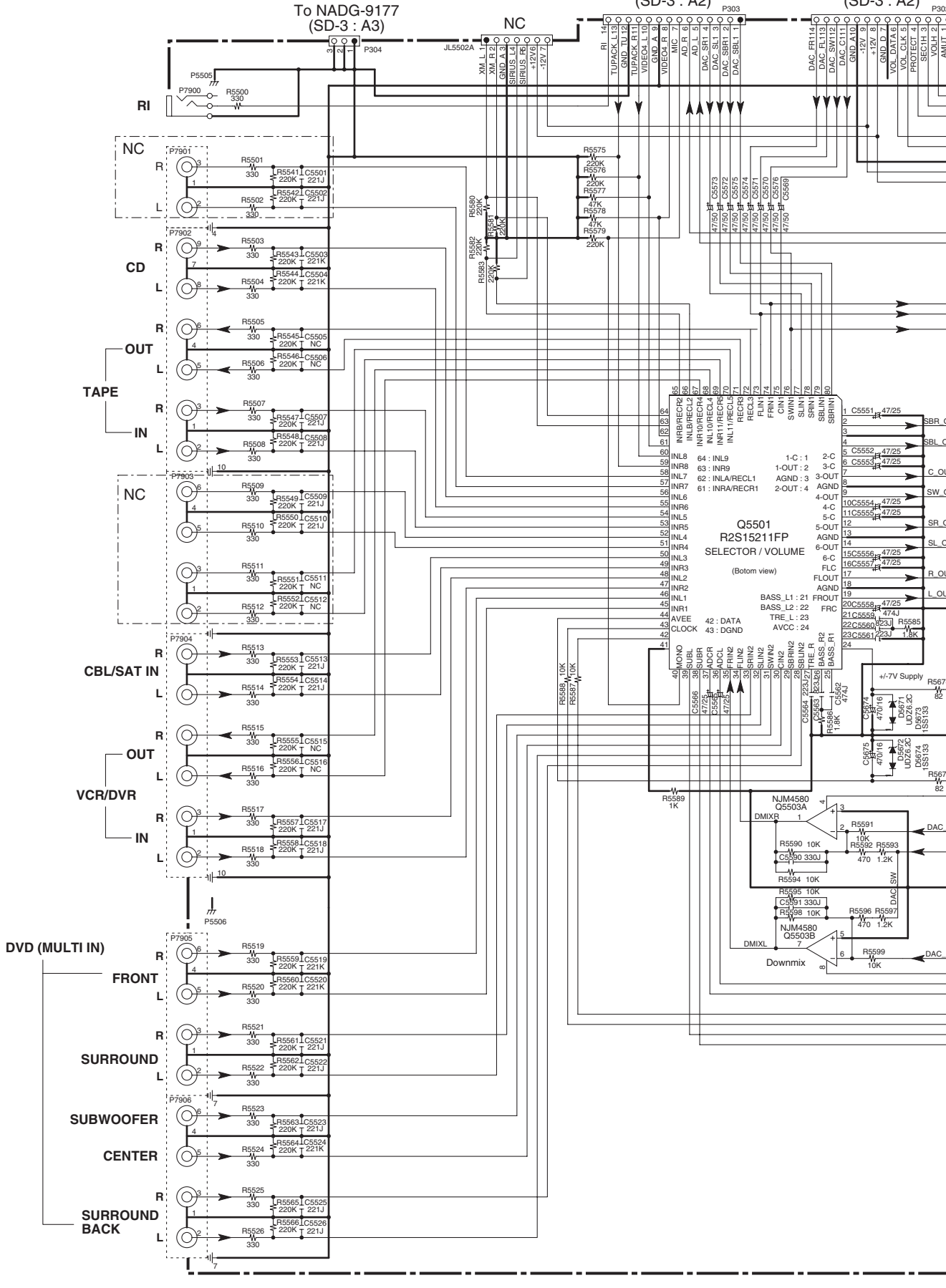
1

2

3

4

5

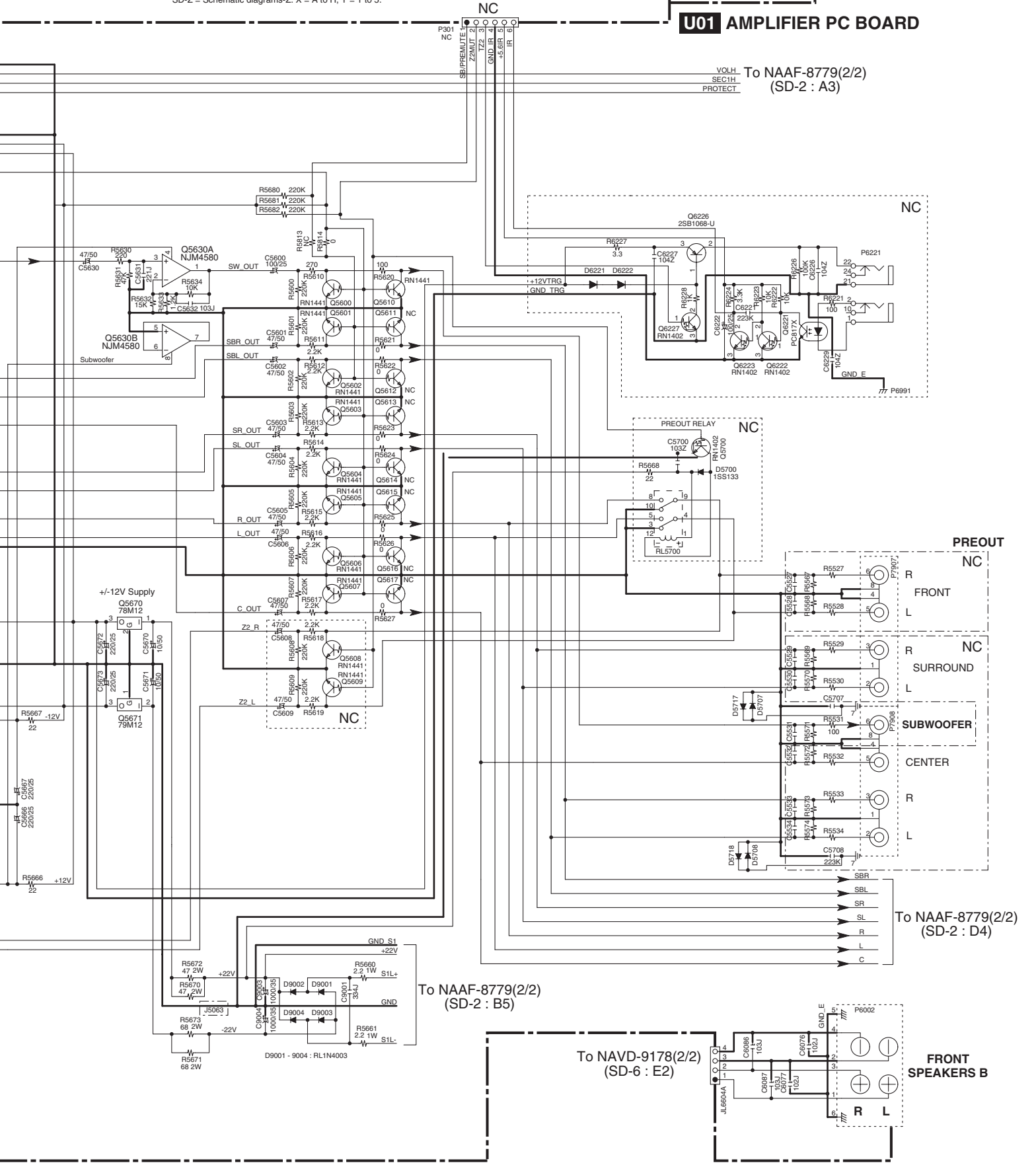


<Note>
 NC = No mount of parts.
 SD-Z : XY
 Location of connected terminal in schematic diagrams.
 SD-Z = Schematic diagrams-Z. X = A to H, Y = 1 to 5.

NAAF-8779(1/2)

U01 AMPLIFIER PC BOARD

VOLH To NAAF-8779(2/2)
 SECTH (SD-2 : A3)
 PROTECT



NC

NC

PREOUT

FRONT

SURROUND

SUBWOOFER

CENTER

R

L

R

L

SBR

SR

SL

R

L

FRONT SPEAKERS B

R

L

To NAAF-8779(2/2)
 (SD-2 : B5)

To NAVD-9178(2/2)
 (SD-6 : E2)

To NAAF-8779(2/2)
 (SD-2 : D4)

SCHEMATIC DIAGRAMS-2 POWER AMPLIFIER SECTION

NAAF-8779(2/2) U01 AMPLIFIER PC BOARD

<Note>

NC = No mount of parts.
SD-Z : XY
Location of connected terminal in schematic diagrams.
SD-Z = Schematic diagrams-Z. X = A to H, Y = 1 to 5.

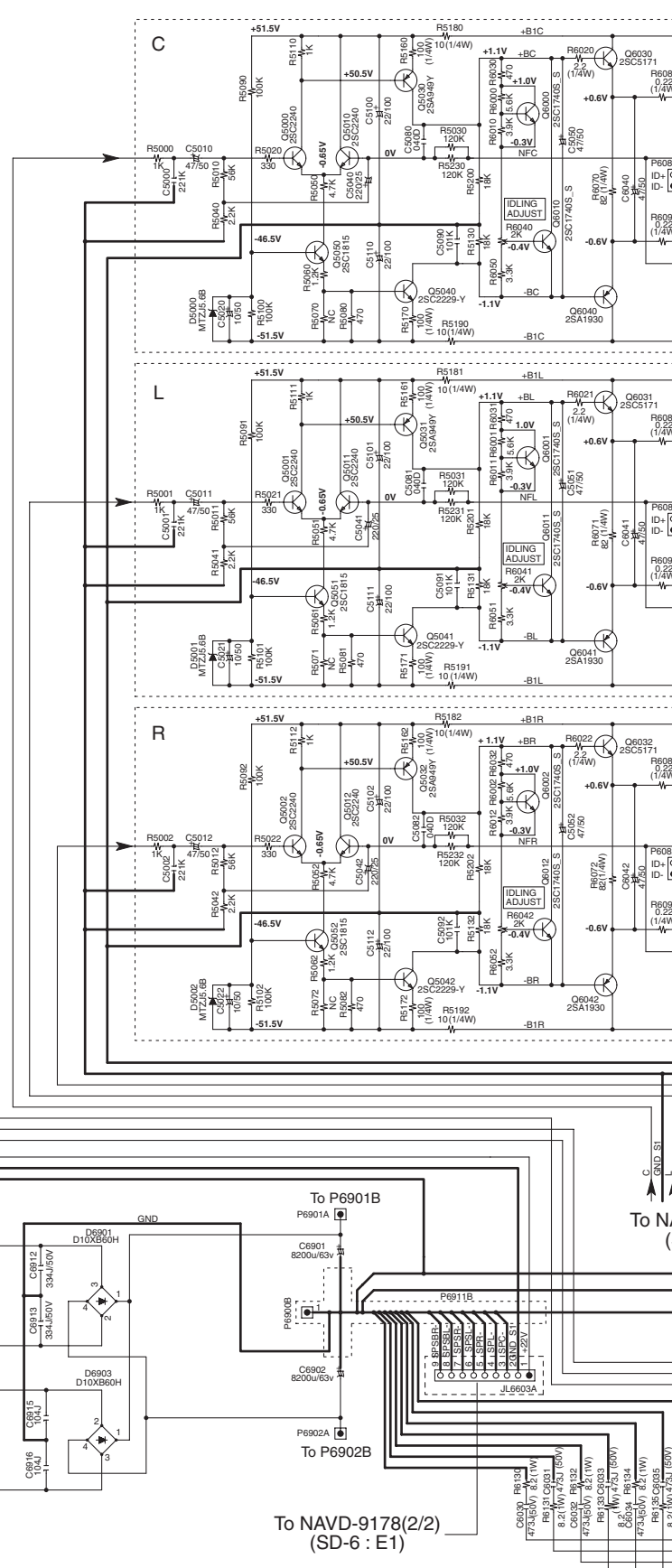
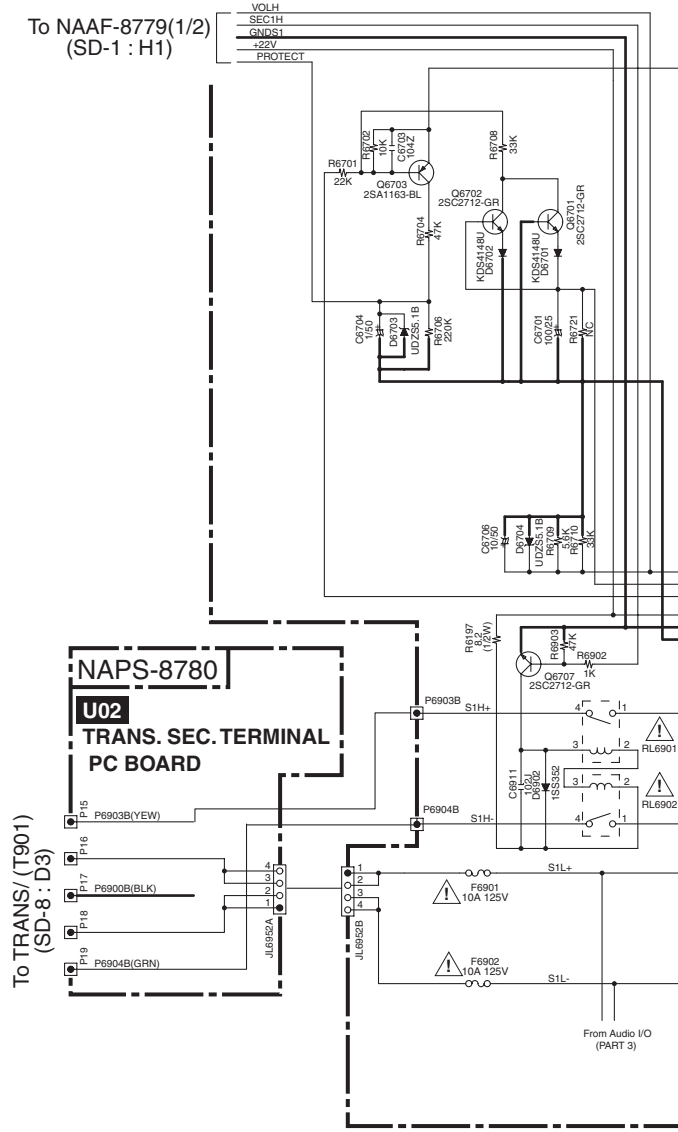
NOTE

- THE COMPONENTS IDENTIFIED BY MARK \triangle ARE CRITICAL FOR SAFETY REPLACE ONLY WITH PART NUMBER SPECIFIED.
- VOLTAGE (MEASURED WITH VOLTMETER) \leftarrow IS DC VOLTAGE. (NO INPUT SIGNAL).
- ALL PNP TRANSISTORS ARE EQUIVALENT TO 2SA1015-GR UNLESS OTHERWISE NOTED.
- ALL NPN TRANSISTORS ARE EQUIVALENT TO 2SC1815-GR UNLESS OTHERWISE NOTED.
- ALL DIODES ARE EQUIVALENT TO 1SS133 UNLESS OTHERWISE NOTED.
- ELECTROLYTIC CAPACITORS (---) ARE IN uF/WV.
- ALL CAPACITORS ARE IN pF/50VW UNLESS OTHERWISE NOTED.
EX) 030-3pF 330-33pF 331-330pF 333-0.033uF
- ALL RESISTORS ARE IN OHMS 1/4WATTS UNLESS OTHERWISE NOTED.
- THE THICK LINES ON PC BOARD ARE THE PRINTING SIDE OF THE PARTS.
EX) \square PRINTING SIDE
- CIRCUIT IS SUBJECT TO CHANGE FOR IMPROVEMENT.

Refer to following table about the parts displayed by mark "LIST".

	Q6050 - 52	Q6053- 56	Q6060- 62	Q6063 - 66
MDD, MDC, MWO, MWT, MGK	MN130	MN130	MP130	MP130
MPP	2SC5242	2SC5242	2SA1962	2SA1962

To NAAF-8779(1/2)
(SD-1 : H1)



To TRANS/(T901)
(SD-8 : D3)

NAPS-8780
U02
TRANS. SEC. TERMINAL
PC BOARD

To NAVD-9178(2/2)
(SD-6 : E1)

1

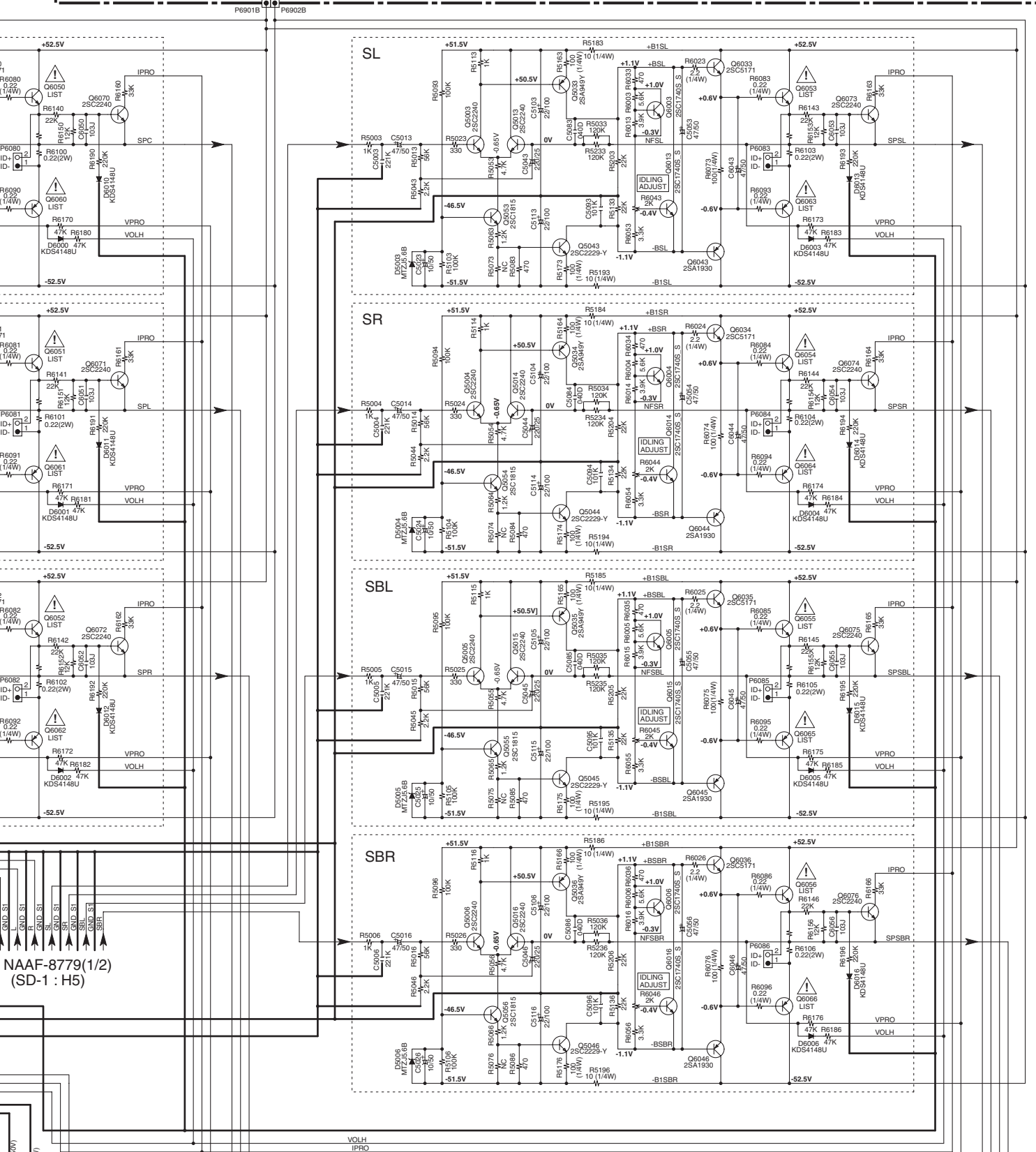
2

3

4

5

To P6901A To P6902A



NAAF-8779(1/2)
(SD-1 : H5)

To NAVD-9178(2/2)
(SD-6 : A2)

- 1 SPC
- 2 SPL
- 3 SPR
- 4 SPSR
- 5 SPSBL
- 6 SPSBR
- 7 SPSBR

- reg_3C0505
- 8.2(1W)430(50W)
- 6000
- 473(360V)82(1W)

LJL600A

A **B** **C** **D**

SCHEMATIC DIAGRAMS-3

DSP SECTION

Refer to following table about the parts displayed by mark "LIST".

TYPE	R103	R104	R106, R107
TX-SR505E MPP	39(1W)	0	NC
TX-SR505 MDD, MDC	47(1W)	NC	0
MGK, MGO, MWT, MW0			

<Note>
 NC = No mount of parts.
 SD-Z : XY
 Location of connected terminal in schematic diagrams.
 SD-Z = Schematic diagrams-Z. X = A to H, Y = 1 to 5.





NAETC-8781
U03
THERMAL SENSOR
PC BOARD

To NAAF-8779(1/2)
 (SD-1 : D1)

To NAAF-8779(1/2)
 (SD-1 : C1)

To NAAF-8779(1/2)
 (SD-1 : B1)

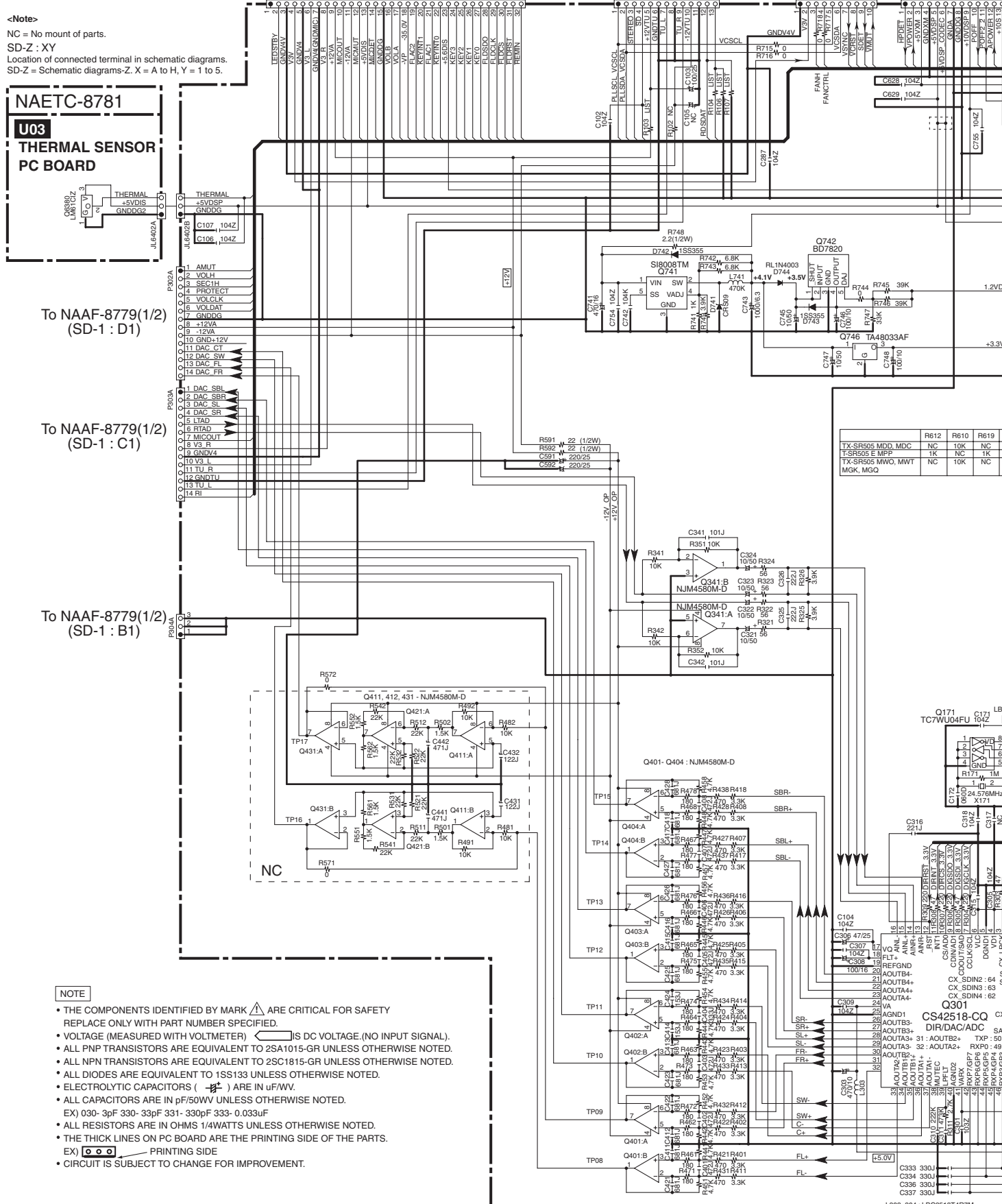
NOTE

- THE COMPONENTS IDENTIFIED BY MARK  ARE CRITICAL FOR SAFETY. REPLACE ONLY WITH PART NUMBER SPECIFIED.
- VOLTAGE (MEASURED WITH VOLTMETER)  IS DC VOLTAGE. (NO INPUT SIGNAL).
- ALL PNP TRANSISTORS ARE EQUIVALENT TO 2SA1015-GR UNLESS OTHERWISE NOTED.
- ALL NPN TRANSISTORS ARE EQUIVALENT TO 2SC1815-GR UNLESS OTHERWISE NOTED.
- ALL DIODES ARE EQUIVALENT TO 1SS133 UNLESS OTHERWISE NOTED.
- ELECTROLYTIC CAPACITORS () ARE IN uF/WV.
- ALL CAPACITORS ARE IN pF/50V UNLESS OTHERWISE NOTED.
- EX) 030- 3pF 330- 33pF 331- 330pF 333- 0.033uF
- ALL RESISTORS ARE IN OHMS 1/4WATTS UNLESS OTHERWISE NOTED.
- THE THICK LINES ON PC BOARD ARE THE PRINTING SIDE OF THE PARTS.
- EX)  PRINTING SIDE
- CIRCUIT IS SUBJECT TO CHANGE FOR IMPROVEMENT.

To NADIS-9148
 (SD-4 : H1)

To TUNER UNIT

To NAVD-9178(1/2)
 (SD-5 : E1) To NAVD-9178(2)
 (SD-6 : E3)



TX-SR505 MDD, MDC	NC	10K	NC	NC
TX-SR505 E MPP	1K	NC	NC	1K
TX-SR505 MWO, MWT	NC	10K	NC	NC
MGK, MGO				

To NAVD-9178(1/2)
8(2/2) (SD-5 : F1)

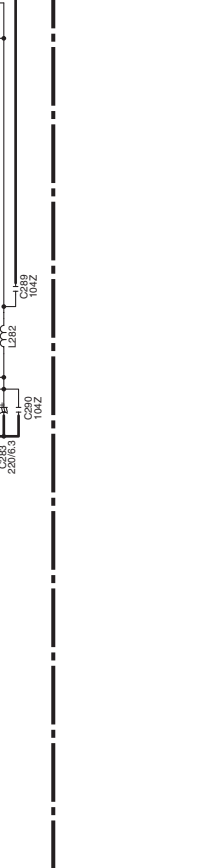
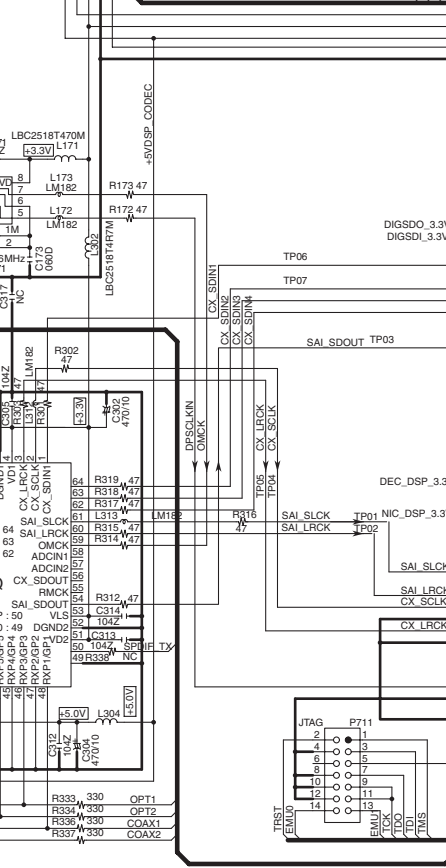
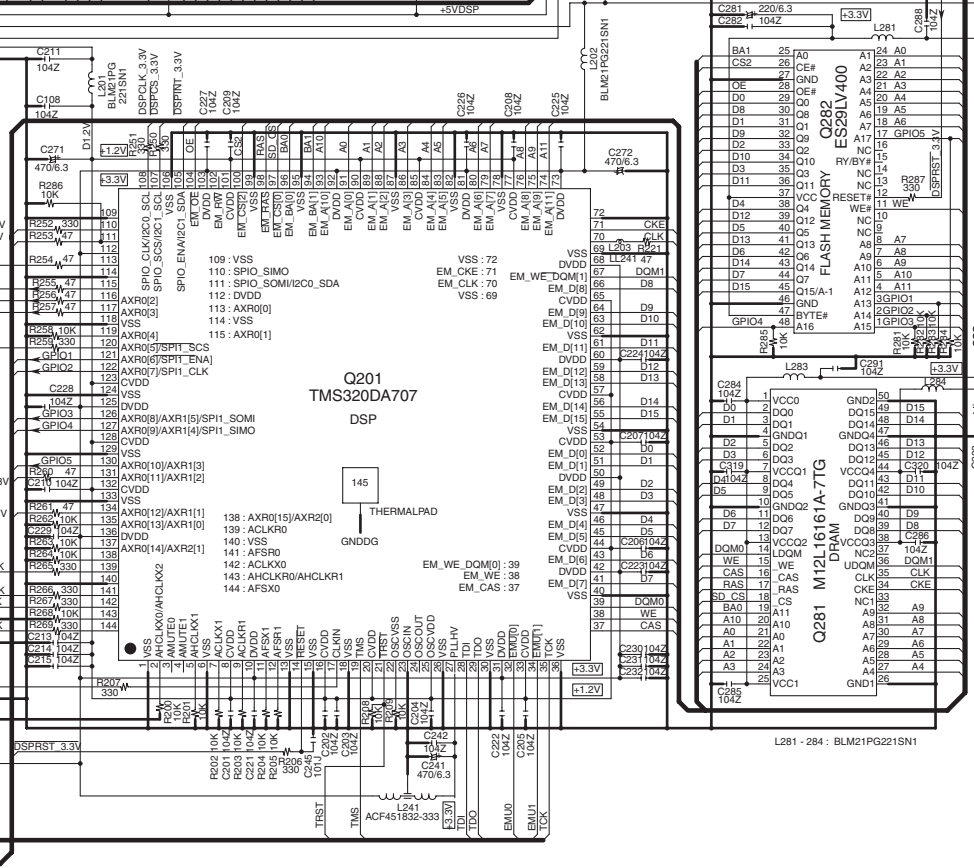
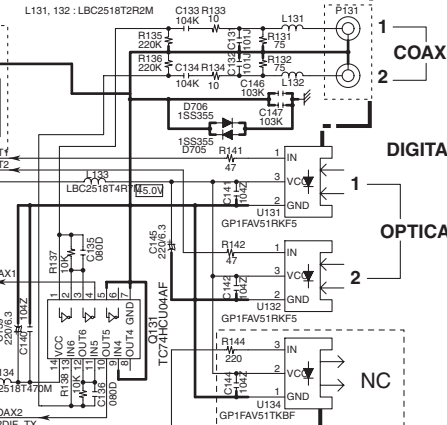
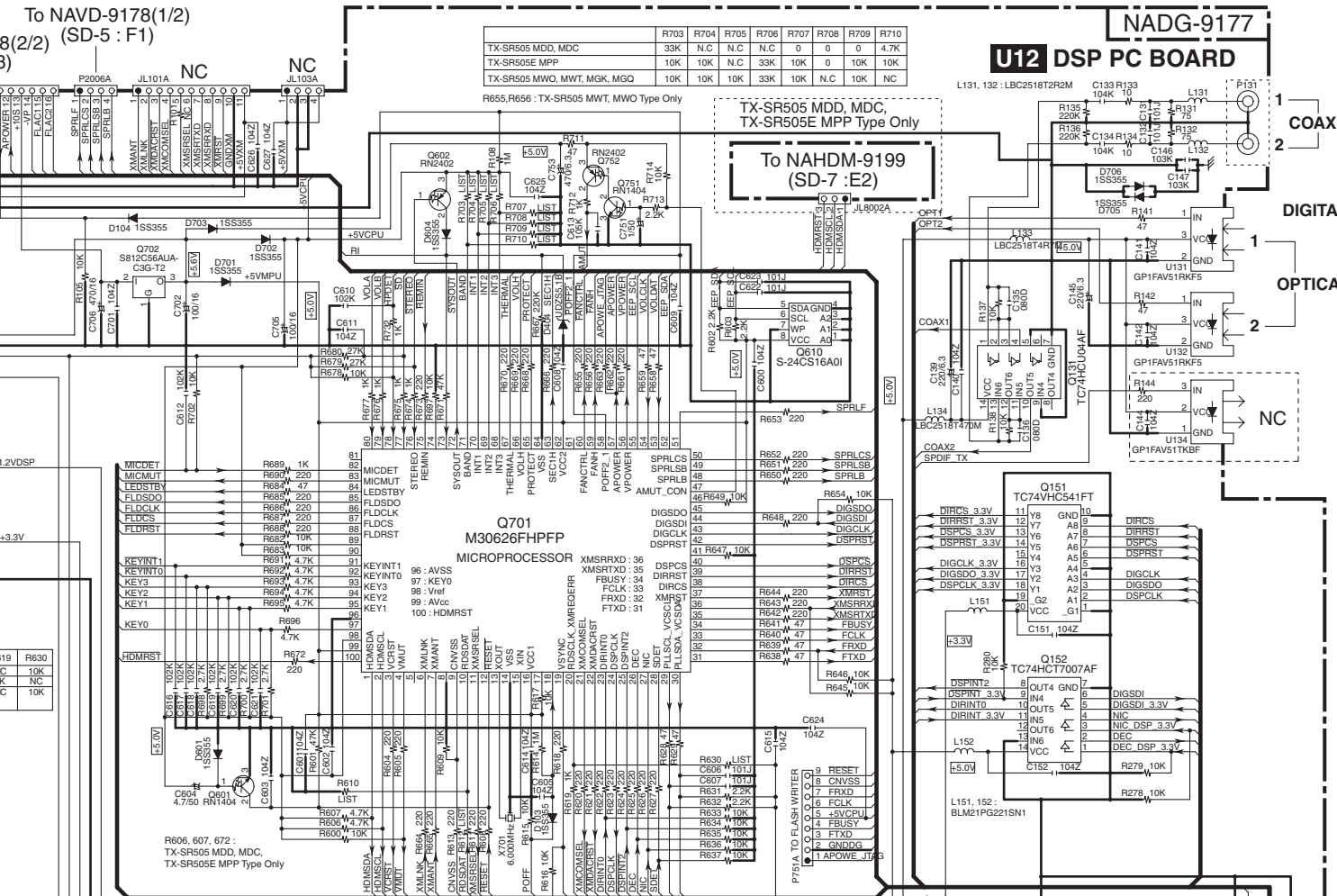
NADG-9177

U12 DSP PC BOARD

TX-SR505 MDD, MDC	R703	R704	R705	R706	R707	R708	R709	R710
TX-SR505E MPP	33K	N.C	N.C	0	0	0	0	4.7K
TX-SR505 MWO, MWT, MGK, MGQ	10K	10K	10K	33K	10K	0	10K	10K
TX-SR505 MWO, MWT, MGK, MGQ	10K	10K	10K	33K	10K	N.C	10K	10K

R655, R656 : TX-SR505 MWT, MWO Type Only

To NAHDM-9199
(SD-7 : E2)



A B C D
SCHEMATIC DIAGRAMS-4
DISPLAY SECTION

1

NOTE

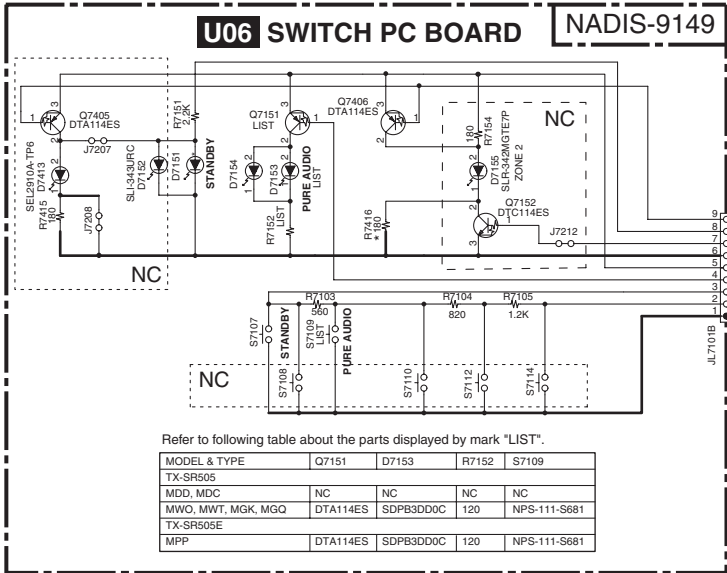
- THE COMPONENTS IDENTIFIED BY MARK Δ ARE CRITICAL FOR SAFETY REPLACE ONLY WITH PART NUMBER SPECIFIED.
- VOLTAGE (MEASURED WITH VOLTMETER) \leftarrow IS DC VOLTAGE.(NO INPUT SIGNAL).
- ALL PNP TRANSISTORS ARE EQUIVALENT TO 2SA1015-GR UNLESS OTHERWISE NOTED.
- ALL NPN TRANSISTORS ARE EQUIVALENT TO 2SC1815-GR UNLESS OTHERWISE NOTED.
- ALL DIODES ARE EQUIVALENT TO 1SS133 UNLESS OTHERWISE NOTED.
- ELECTROLYTIC CAPACITORS (---) ARE IN $\mu\text{F/WV}$.
- ALL CAPACITORS ARE IN pF/50WV UNLESS OTHERWISE NOTED.
 EX) 030- 3pF 330- 33pF 331- 330pF 333- 0.03uF
- ALL RESISTORS ARE IN OHMS 1/4WATTS UNLESS OTHERWISE NOTED.
- THE THICK LINES ON PC BOARD ARE THE PRINTING SIDE OF THE PARTS.
 EX) $\square \square \square$ PRINTING SIDE
- CIRCUIT IS SUBJECT TO CHANGE FOR IMPROVEMENT.

<Note>

NC = No mount of parts.
 SD-Z : XY
 Location of connected terminal in schematic diagrams.
 SD-Z = Schematic diagrams-Z. X = A to H, Y = 1 to 5.

2

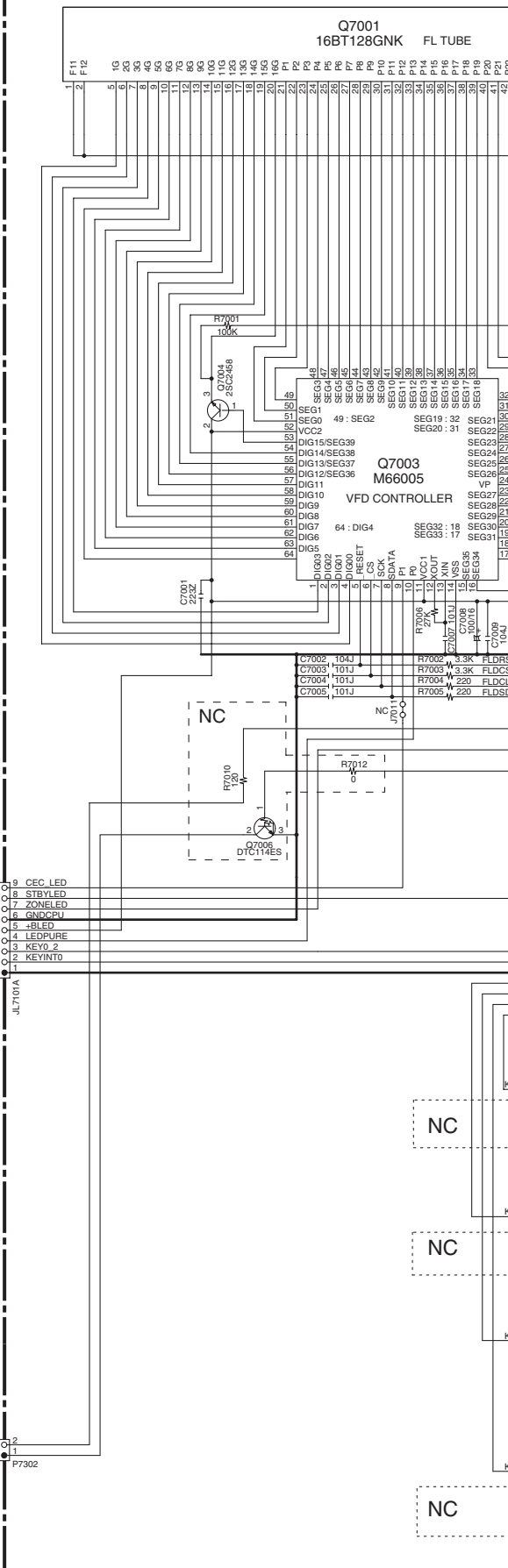
3



4

5

NADIS-9148 U05 DISPLAY PC BOARD

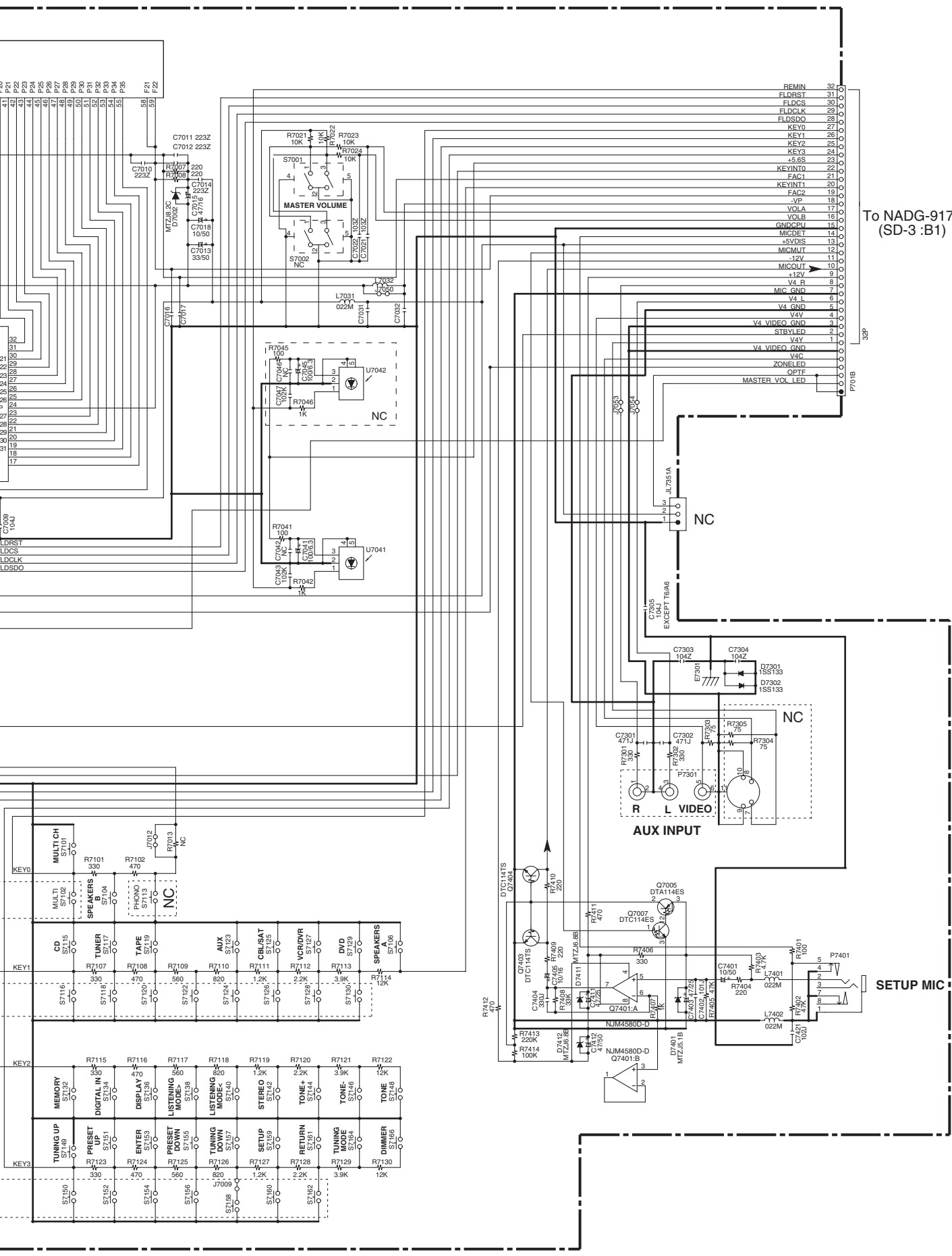


NC P7302

NC

NC

NC



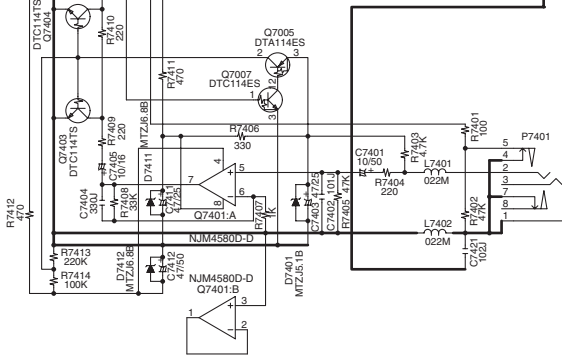
To NADG-9177 (SD-3:B1)

SETUP MIC

- P21
- P22
- P23
- P24
- P25
- P26
- P27
- P28
- P29
- P30
- P31
- P32
- P33
- P34
- P35
- F21
- F22
- C7009 104J
- LDRST
- LDCS
- LDCLK
- LDSDO

- REMIN 32
- FLDBST 31
- FLOCS 30
- FLOCLK 29
- FLDSDO 28
- KEY0 27
- KEY1 26
- KEY2 25
- KEY3 24
- +5.6S 23
- KEYINT0 22
- FAC1 21
- KEYINT1 20
- FAC2 19
- VIP 18
- VOLA 17
- VOLB 16
- GNDGPI 15
- MICDET 14
- +VDS 13
- MICMUT 12
- 12V 11
- MICOUT 10
- +12V 9
- V4 R 8
- MIC GND 7
- V4 L 6
- V4 GND 5
- V4V 4
- V4 VIDEO GND 3
- STRYLED 2
- V4V 1
- V4C 0
- ZONELED 0
- MASTER VOL LED 0

- MULTI CH S7101
- MULT S7102
- SPEAKERS S7103
- PHONO S7113
- CD S7116
- TUNER S7117
- TAPE S7118
- AUX S7123
- CBLISAT S7125
- VIDEO S7127
- DVD S7130
- SPEAKERS S7136
- MEMORY S7152
- DIGITAL IN S7154
- DISPLAY S7156
- ENTER S7157
- PRESET DOWN S7158
- PRESET UP S7159
- TUNING DOWN S7160
- TUNING UP S7161
- RETURN S7162
- TUNING S7164
- POWER S7166
- R7101 330
- R7102 470
- R7103 NC
- R7104 S7104
- R7109 560
- R7110 820
- R7111 1.2K
- R7112 2.2K
- R7113 3.9K
- R7114 12K
- R7115 330
- R7116 470
- R7117 560
- R7118 820
- R7119 1.2K
- R7120 3.9K
- R7121 5.9K
- R7122 12K
- S7106
- S7107
- S7108
- S7109
- S7110
- S7111
- S7112
- S7113
- S7114
- S7115
- S7116
- S7117
- S7118
- S7119
- S7120
- S7121
- S7122
- S7123
- S7124
- S7125
- S7126
- S7127
- S7128
- S7129
- S7130
- S7131
- S7132
- S7133
- S7134
- S7135
- S7136
- S7137
- S7138
- S7139
- S7140
- S7141
- S7142
- S7143
- S7144
- S7145
- S7146
- S7147
- S7148
- S7149
- S7150
- S7151
- S7152
- S7153
- S7154
- S7155
- S7156
- S7157
- S7158
- S7159
- S7160
- S7161
- S7162
- S7163
- S7164
- S7165
- S7166



SCHEMATIC DIAGRAMS-5

VIDEO SECTION

NC P4007A

NAVD-9178(1/2) U13 VIDEO & SPEAKER TERMINAL PC BOARD

1

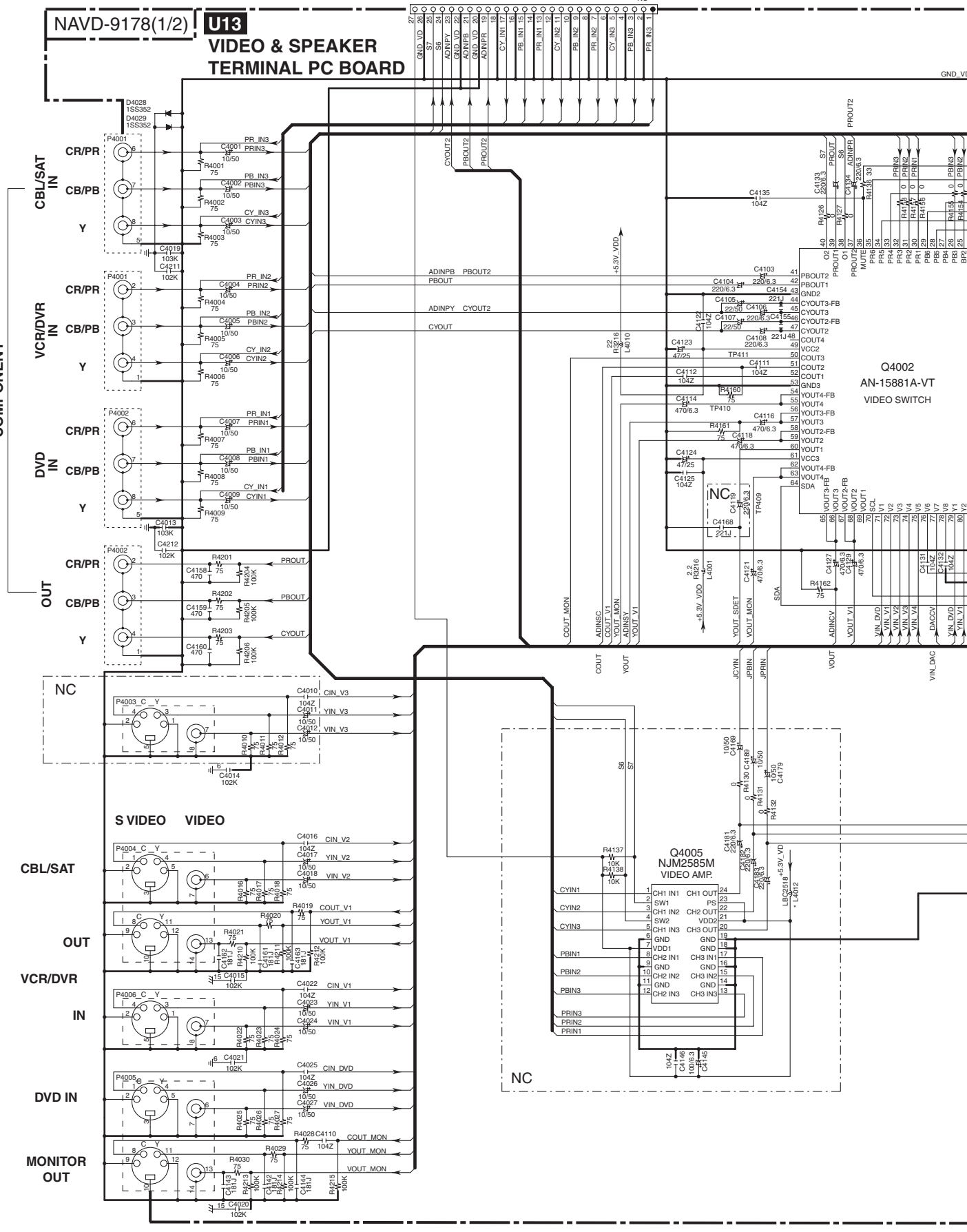
2

3

4

5

COMPONENT

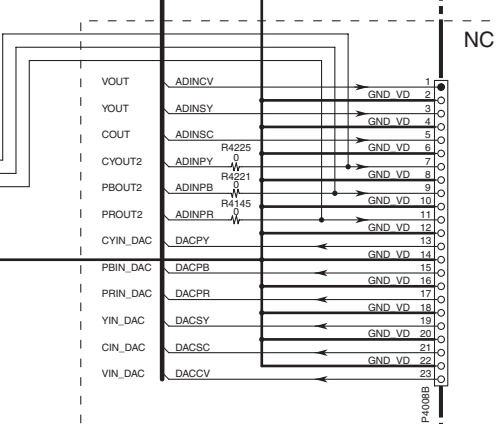
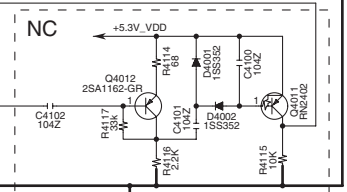
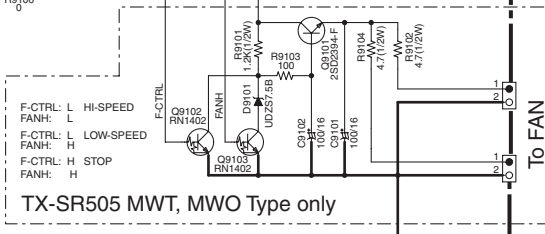
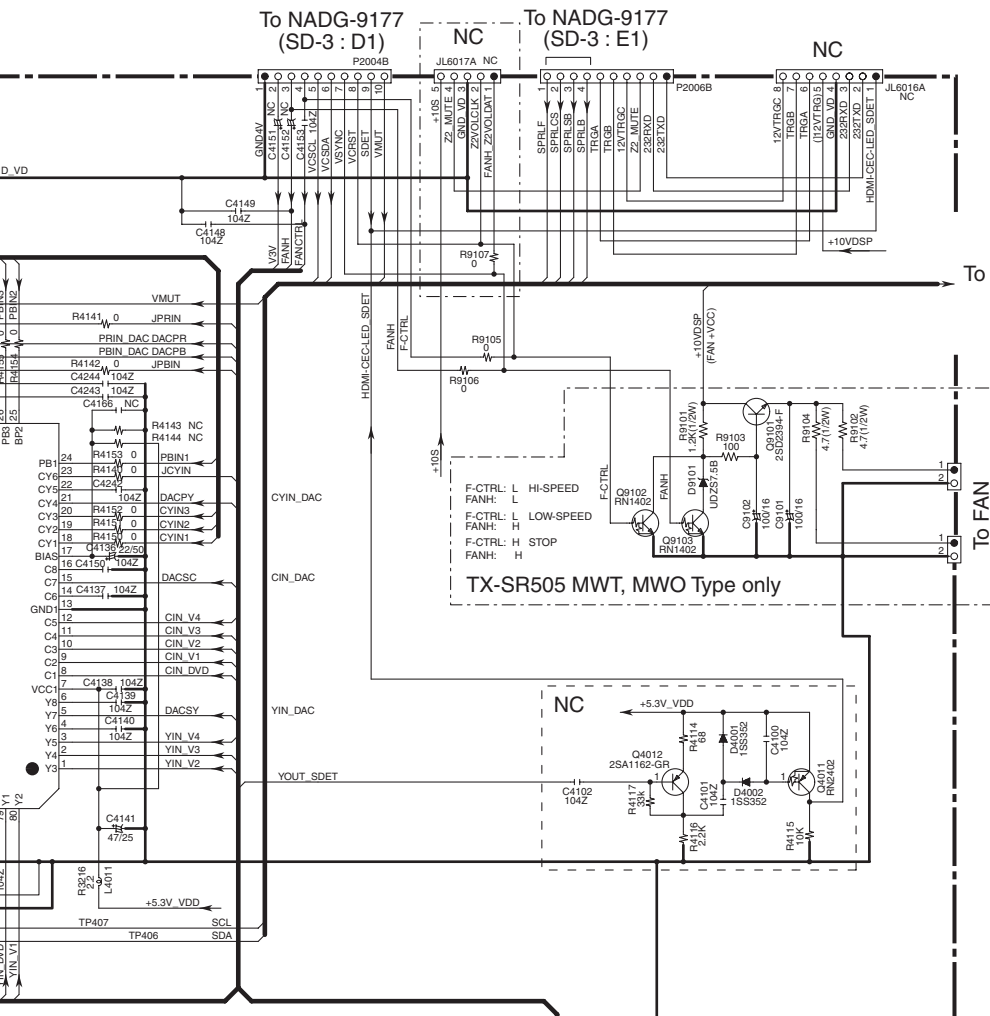


E

F

G

H



NOTE

- THE COMPONENTS IDENTIFIED BY MARK \triangle ARE CRITICAL FOR SAFETY REPLACE ONLY WITH PART NUMBER SPECIFIED.
- VOLTAGE (MEASURED WITH VOLTMETER) \leftarrow IS DC VOLTAGE.(NO INPUT SIGNAL).
- ALL PNP TRANSISTORS ARE EQUIVALENT TO 2SA1015-GR UNLESS OTHERWISE NOTED.
- ALL NPN TRANSISTORS ARE EQUIVALENT TO 2SC1815-GR UNLESS OTHERWISE NOTED.
- ALL DIODES ARE EQUIVALENT TO 1SS133 UNLESS OTHERWISE NOTED.
- ELECTROLYTIC CAPACITORS (---) ARE IN uF/WV.
- ALL CAPACITORS ARE IN pF/50WV UNLESS OTHERWISE NOTED.
EX) 030- 3pF 330- 33pF 331- 330pF 333- 0.03uF
- ALL RESISTORS ARE IN OHMS 1/4WATTS UNLESS OTHERWISE NOTED.
- THE THICK LINES ON PC BOARD ARE THE PRINTING SIDE OF THE PARTS.
EX) $\square \square \square$ PRINTING SIDE
- CIRCUIT IS SUBJECT TO CHANGE FOR IMPROVEMENT.

<Note>

NC = No mount of parts.
SD-Z : XY
Location of connected terminal in schematic diagrams.
SD-Z = Schematic diagrams-Z. X = A to H, Y = 1 to 5.

SCHEMATIC DIAGRAMS-6
SPEAKER TERMINAL SECTION

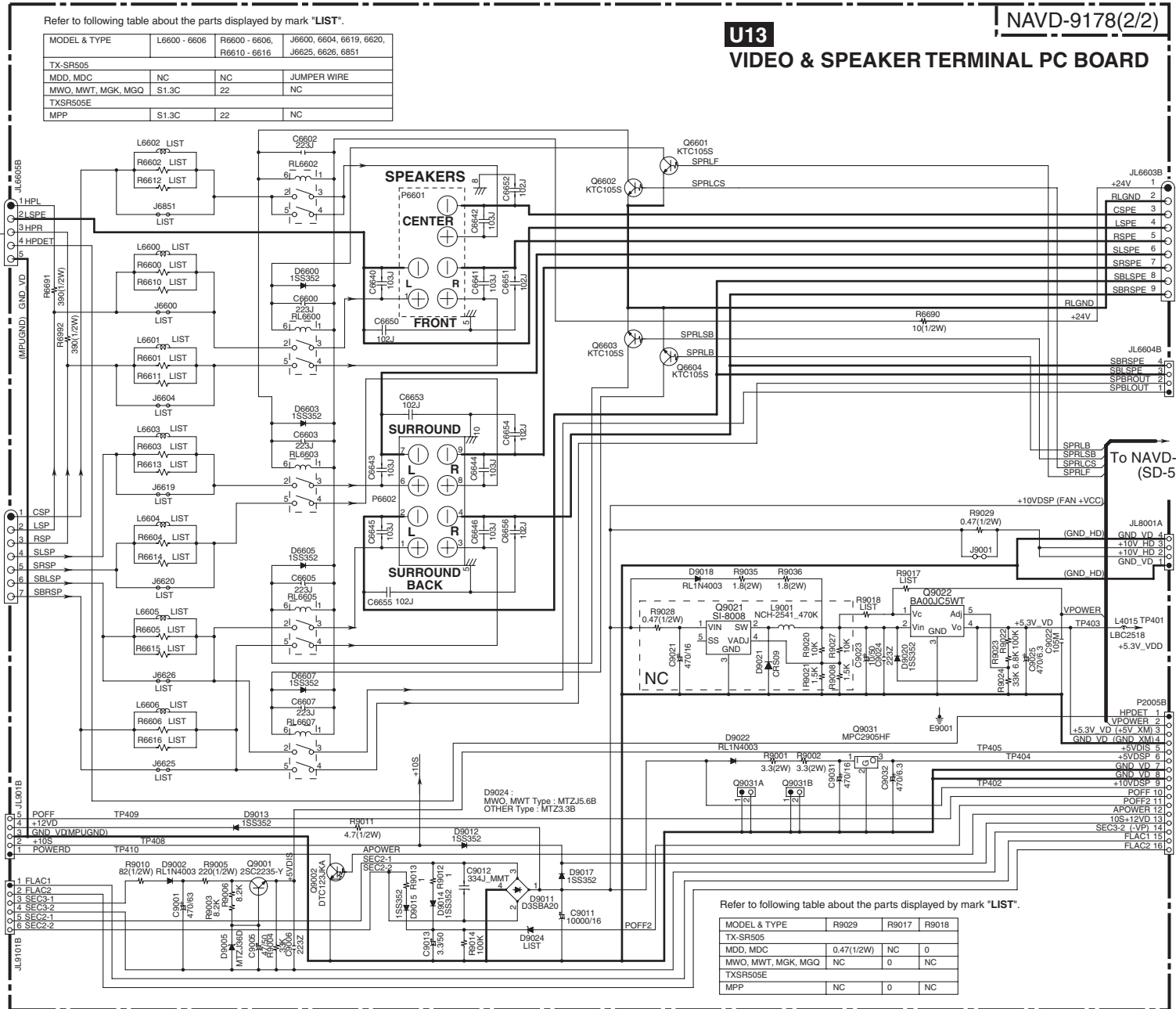
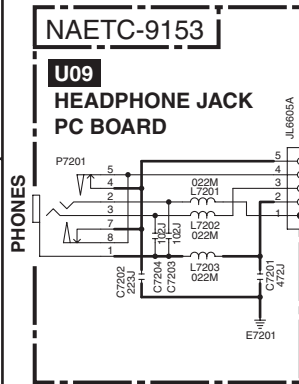
<Note>
NC = No mount of parts.
SD-Z : XY
Location of connected terminal in schematic diagrams.
SD-Z = Schematic diagrams-Z. X = A to H, Y = 1 to 5.

Refer to following table about the parts displayed by mark "LIST".

MODEL & TYPE	L6600 - 6606	R6600 - 6606, R6610 - 6616	J6600, 6604, 6619, 6620, J6625, 6626, 6851
TX-SR505			JUMPER WIRE
MDD, MDC	NC	NC	
MWO, MWT, MGK, MGO	S1.3C	22	NC
TXSR505E			
MPP	S1.3C	22	NC

U13
VIDEO & SPEAKER TERMINAL PC BOARD

NAVD-9178(2/2)



Refer to following table about the parts displayed by mark "LIST".

MODEL & TYPE	R9029	R9017	R9018
TX-SR505			
MDD, MDC	0.47(1/2W)	NC	0
MWO, MWT, MGK, MGO	NC	0	NC
TXSR505E			
MPP	NC	0	NC

1
2
3
4

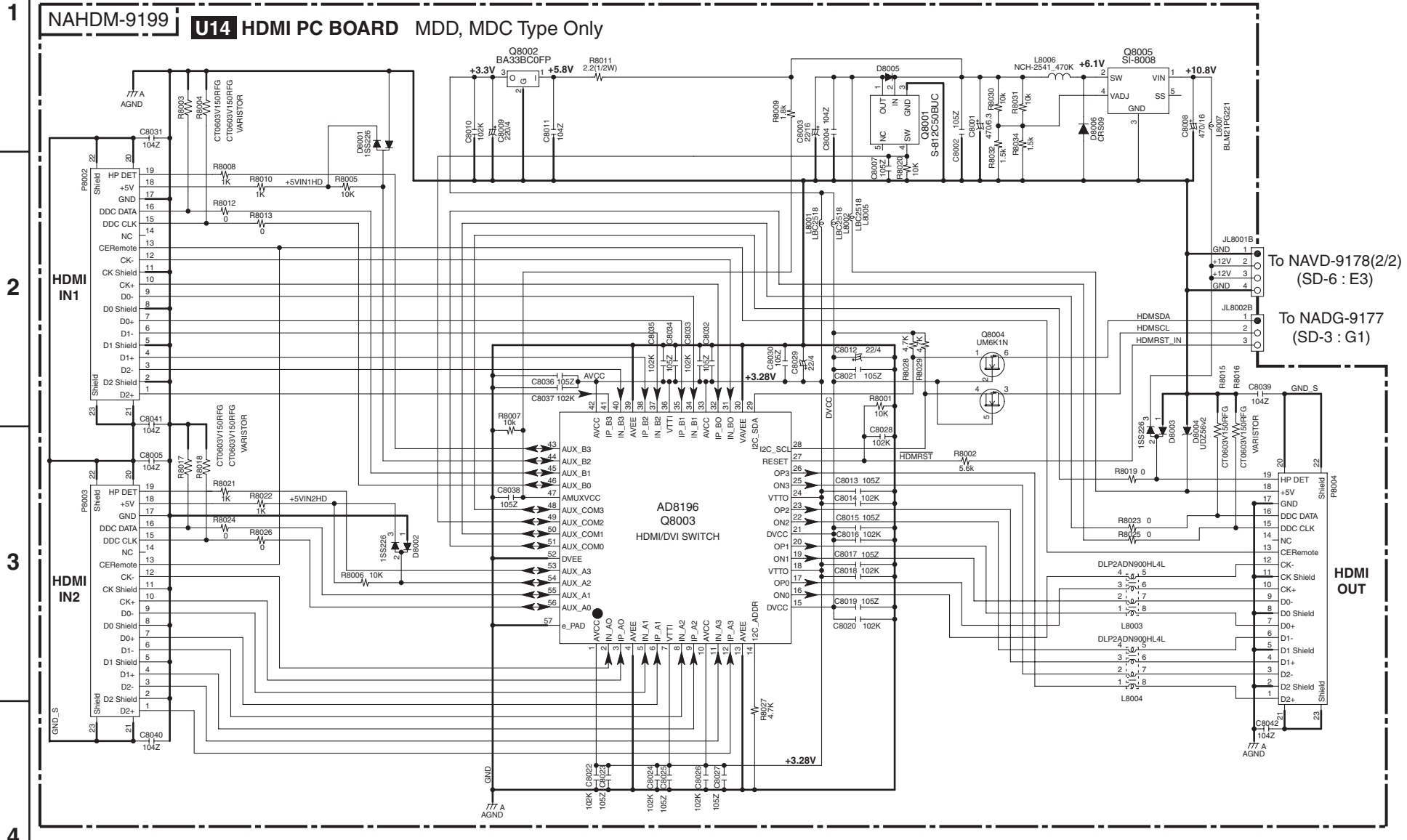
To NAAF-8779(2/2) (SD-2 : E5)
To NAPS-9151 To NAPS-9150 (SD-8 : D1)
To NADG-9177 (SD-3 : D1)

To NAAF-8779(1/2) To NAAF-8779(2/2) (SD-2 : D5)
To NAAF-8779(1/2) (SD-1 : G6)
To NAVD-9178(1/2) (SD-5 : G1)
To NAHDM-9199 (SD-7 : E2)
To NADG-9177 (SD-3 : D1)

SCHEMATIC DIAGRAMS-7

HDMI SECTION

<Note>
 NC = No mount of parts.
 SD-Z : XY
 Location of connected terminal in schematic diagrams.
 SD-Z = Schematic diagrams-Z. X = A to H, Y = 1 to 5.



1
2
3
4

SCHEMATIC DIAGRAMS-8

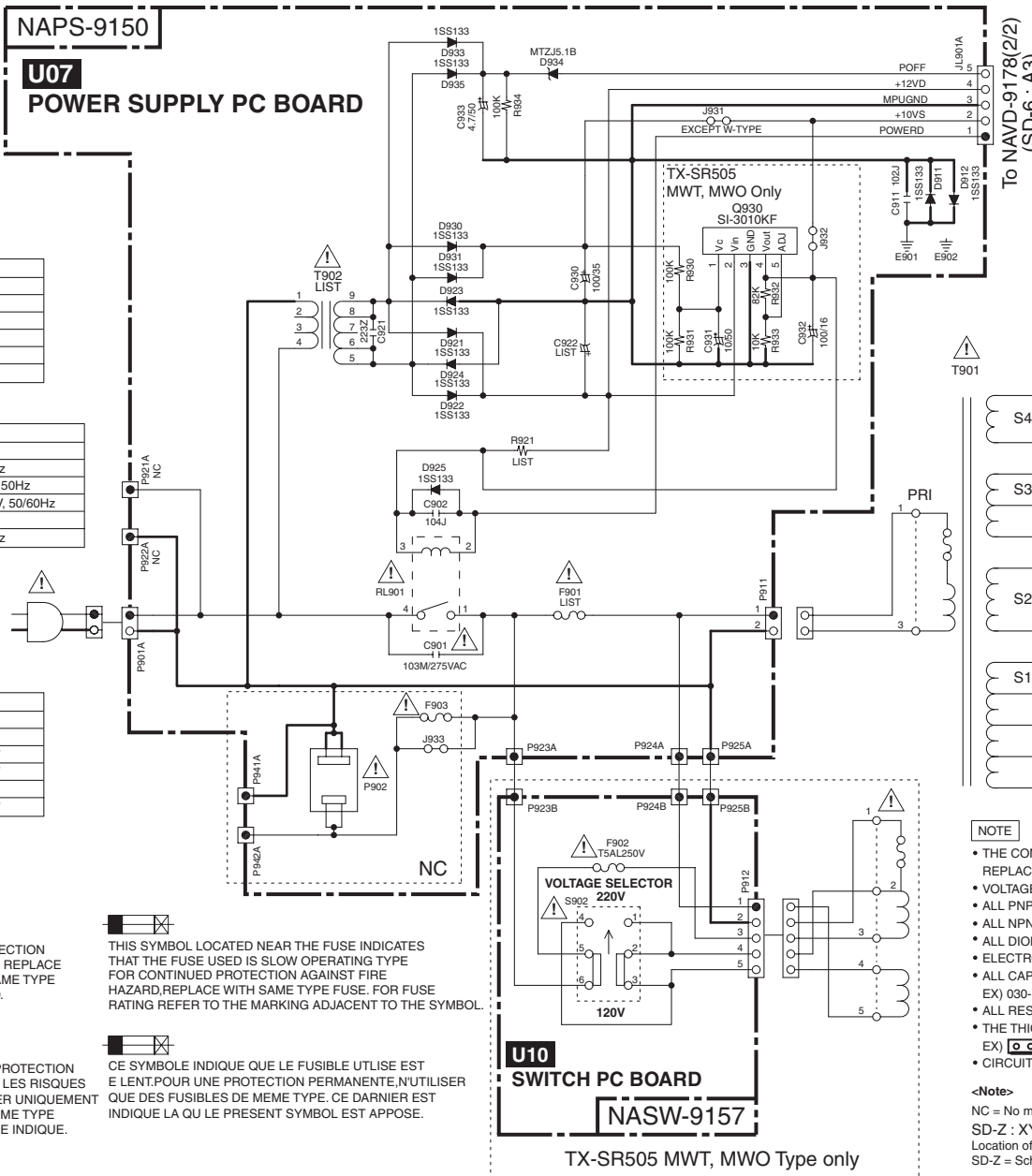
POWER SUPPLY SECTION

1

2

3

4



TYPE	T902
TX-SR505	
MDD, MDC	1520JQ
MGK, MGQ	1520GQ
MWT, MWO	1520JQ
TX-SR505E	
MPP	1520GQ

TYPE	AC IN
TX-SR505	
MDD, MDC	120V, 60Hz
MGK, MGQ	220-230V, 50Hz
MWT, MWO	120V/220V, 50/60Hz
TX-SR505E	
MPP	230V, 50Hz

TYPE	F901
TX-SR505	
MDD, MDC	8A 125V
MGK, MGQ	T4AL250V
MWT, MWO	T4AL250V
TX-SR505E	
MPP	T4AL250V

Refer to following table about the parts displayed by mark "LIST".

MODEL & TYPE	R9101	R921	C922	J931
TX-SR505				
MDD, MDC	0.1(1/2W)	56(1/2W)	2200/25	JUMPER WIRE
MWO, MWT	0.22(1/2W)	NC	2200/35	NC
MGK, MGQ	0.22(1/2W)	56(1/2W)	2200/16	JUMPER WIRE
TXSR505E				
MPP	0.22(1/2W)	56(1/2W)	2200/16	JUMPER WIRE

CAUTION
FOR CONTINUED PROTECTION AGAINST FIRE HAZARD, REPLACE ONLY WITH FUSE OF SAME TYPE AND RATING INDICATED.

ATTENTION
AFIN D'ASSURER UNE PROTECTION PERMANENTE CONTRE LES RISQUES D'INCENDIE, REMPLACER UNIQUEMENT PAR UN FUSIBLE DE MEME TYPE ET CALIBRATION COMME INDIQUE.

THIS SYMBOL LOCATED NEAR THE FUSE INDICATES THAT THE FUSE USED IS SLOW OPERATING TYPE FOR CONTINUED PROTECTION AGAINST FIRE HAZARD. REPLACE WITH SAME TYPE FUSE. FOR FUSE RATING REFER TO THE MARKING ADJACENT TO THE SYMBOL.

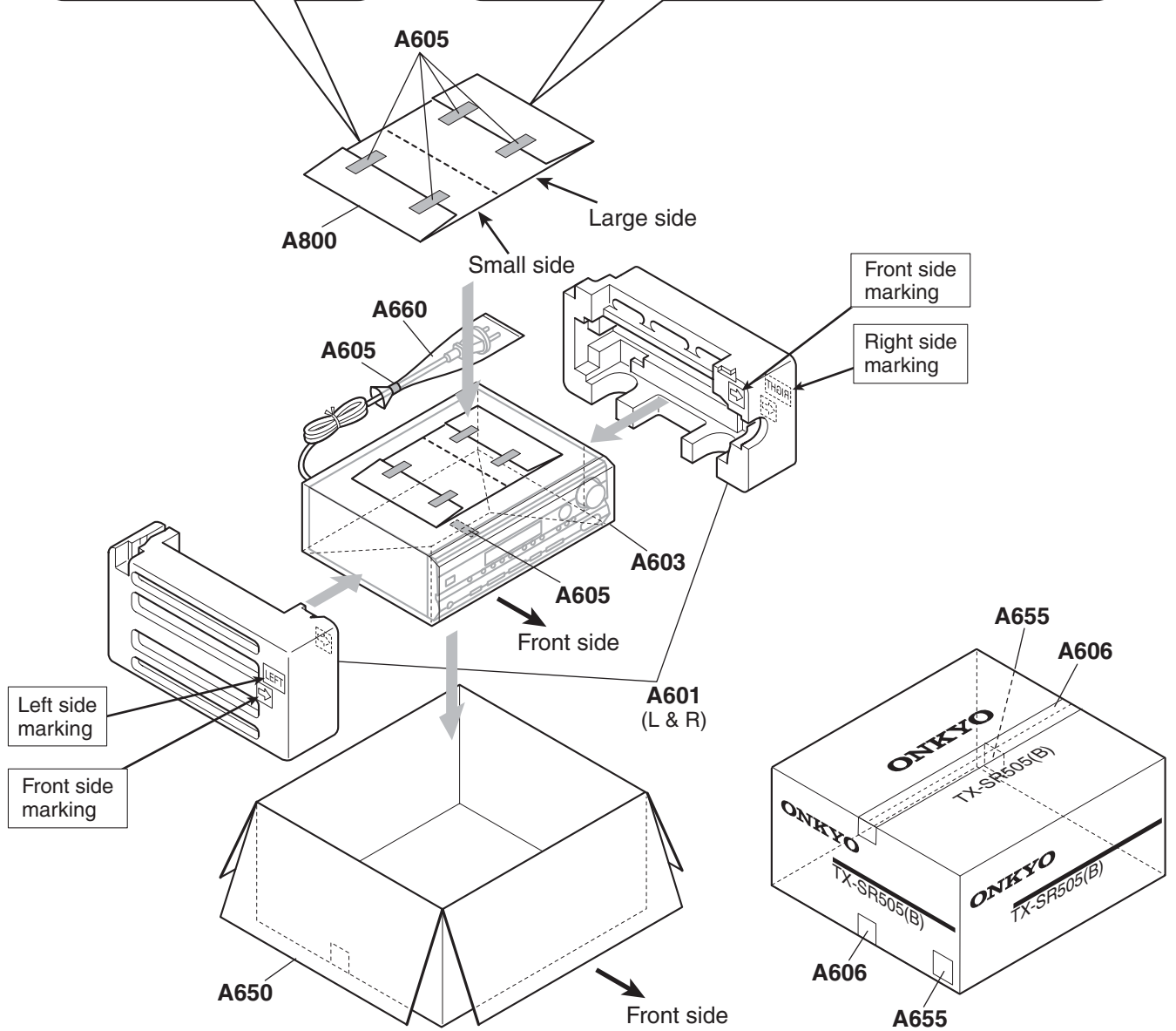
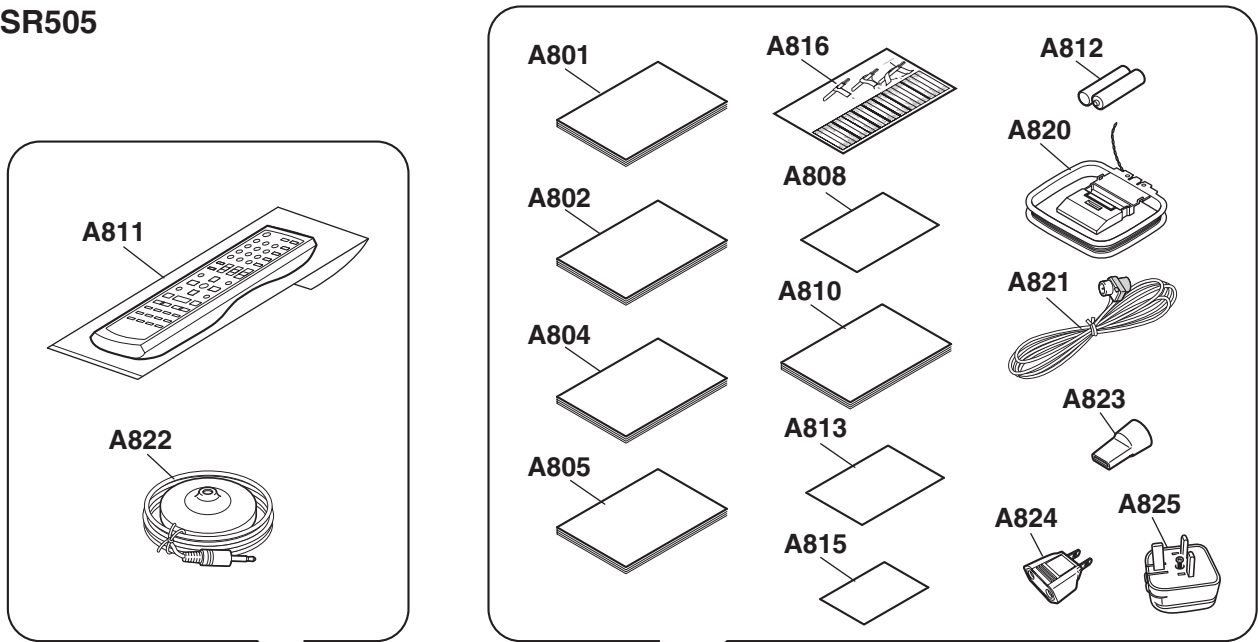
CE SYMBOLE INDIQUE QUE LE FUSIBLE UTILISE EST E LENT. POUR UNE PROTECTION PERMANENTE, N'UTILISER QUE DES FUSIBLES DE MEME TYPE. CE DERNIER EST INDIQUE LA QU LE PRESENT SYMBOLE EST APPOSE.

- NOTE**
- THE COMPONENTS IDENTIFIED BY MARK ARE CRITICAL FOR SAFETY. REPLACE ONLY WITH PART NUMBER SPECIFIED.
 - VOLTAGE (MEASURED WITH VOLTMETER) IS DC VOLTAGE. (NO INPUT SIGNAL).
 - ALL PNP TRANSISTORS ARE EQUIVALENT TO 2SA1015-GR UNLESS OTHERWISE NOTED.
 - ALL NPN TRANSISTORS ARE EQUIVALENT TO 2SC1815-GR UNLESS OTHERWISE NOTED.
 - ALL DIODES ARE EQUIVALENT TO 1SS133 UNLESS OTHERWISE NOTED.
 - ELECTROLYTIC CAPACITORS () ARE IN uF/MV.
 - ALL CAPACITORS ARE IN pF/50V UNLESS OTHERWISE NOTED.
EX) 030-3pF 330-33pF 331-330pF 333-0.033uF
 - ALL RESISTORS ARE IN OHMS 1/4WATTS UNLESS OTHERWISE NOTED.
 - THE THICK LINES ON PC BOARD ARE THE PRINTING SIDE OF THE PARTS.
EX) PRINTING SIDE
 - CIRCUIT IS SUBJECT TO CHANGE FOR IMPROVEMENT.

<Note>
NC = No mount of parts.
SD-Z : XY
Location of connected terminal in schematic diagrams.
SD-Z = Schematic diagrams-Z. X = A to H, Y = 1 to 5.

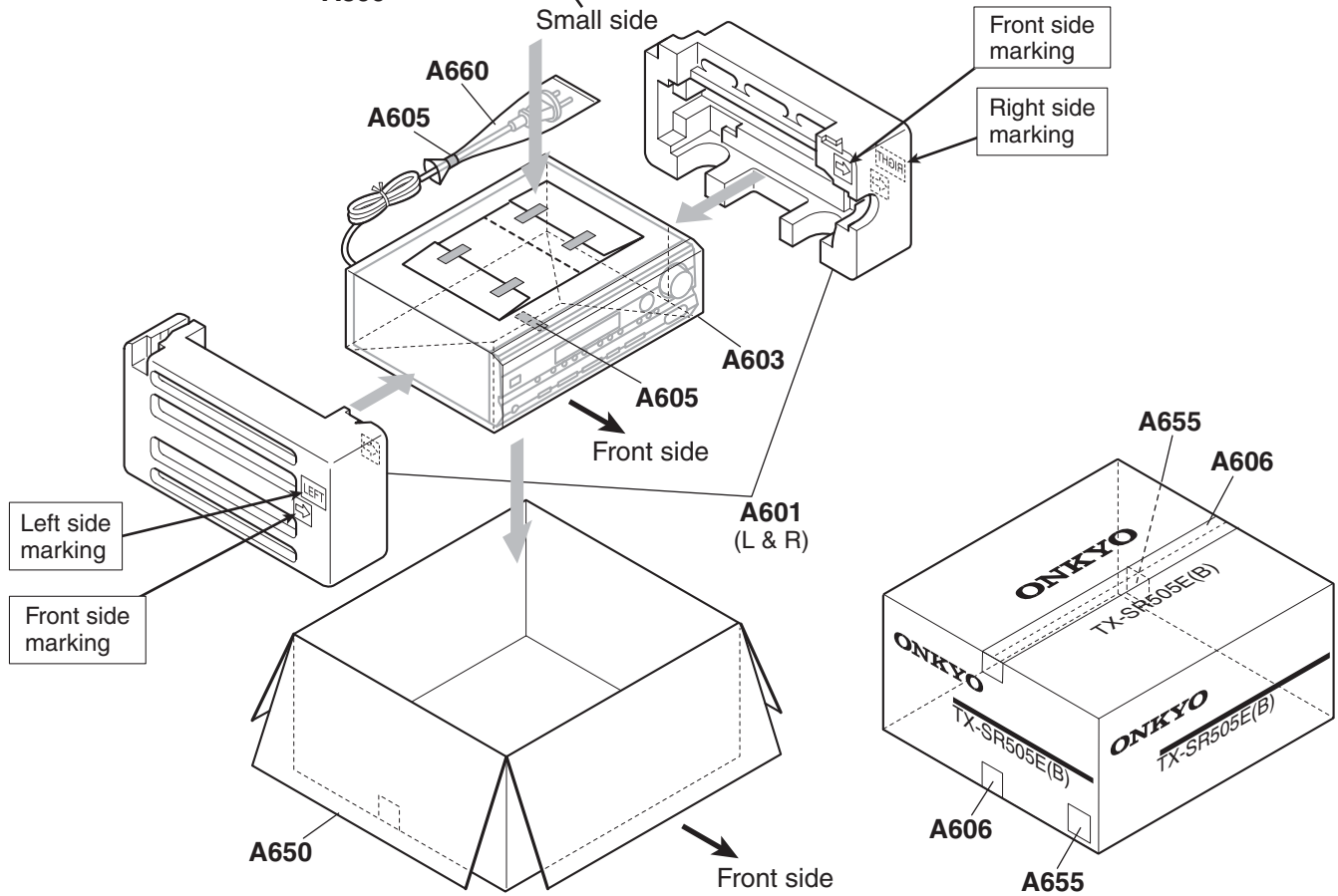
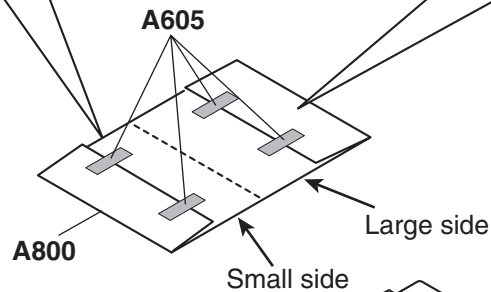
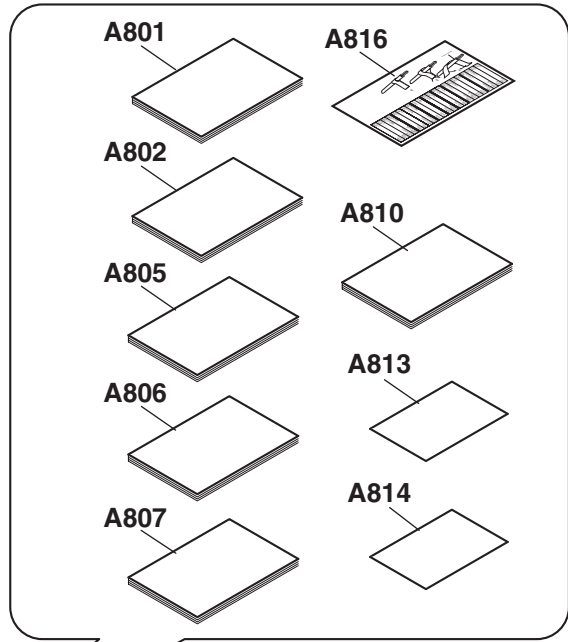
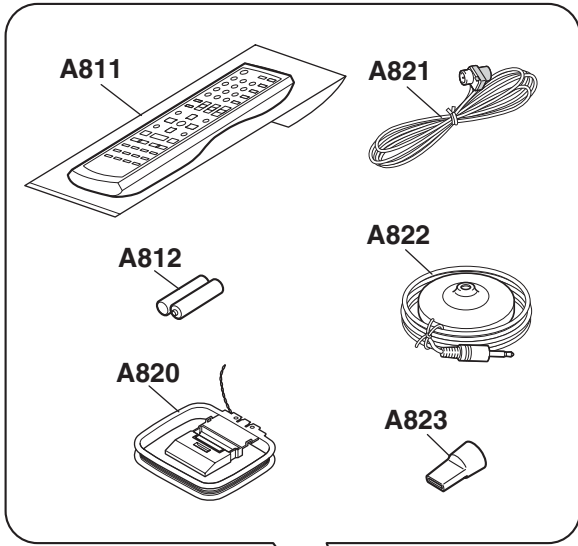
PACKING PROCEDURE-1

TX-SR505



PACKING PROCEDURE-2

TX-SR505E



TX-SR505/505E**<Note>**

Parts marked by "NSP" are generally unavailable because they are not in our Master Spare Parts List.

**NOTE : THE COMPONENTS IDENTIFIED BY THE MARK
! ARE CRITICAL FOR RISK OF FIRE AND
ELECTRIC SHOCK. REPLACE ONLY WITH PART
NUMBER SPECIFIED.**

<Notes>

(B) : Black model

(S) : Silver model

(G) : Golden model

<MDD> : TX-SR505 USA model

<MDC> : TX-SR505 Canadian model

<MWO> : TX-SR505 xx model

<MGK> : TX-SR505 Korean model

<MWT> : TX-SR505 World wide model

<MGQ> : TX-SR505 Hong kong model

<E MPP> : TXSR505E European model

EXPLODED VIEW PARTS LIST

	REF. NO.	PART NAME	DESCRIPTION	Q'TY	PART NO. (SN)	REMARKS
EV	A001	F BRACKET	BLACK	1	27111470B	(B)
EV	A001	F BRACKET	SILVER	1	27111471B	(S)
EV	A001	F BRACKET	GOLD	1	27111472B	(G)
EV	A002	SCREW	3TTB+8B(3CM)SR	5	801637	
EV	A003	B PLATE	---	1	28133425	(B)
EV	A003	B PLATE	---	1	28133426	(S)
EV	A003	B PLATE	---	1	28133426	(G)
EV	A011	SCREW	3TTB+8B(3CM)SR	6	801637	
EV	A012	SCREW	3TTB+8B(3CM)SR	2	801637	
EV	A013	WIRE TIE	BSK-1	7	260208	
EV	A016	SCREW	3TTB+8B(3CM)SR	1	801637	
EV	A017	WIRE TIE	BINDER(CLAMPER)UL	2	260258	
EV	A018	HOLDER	KGLS-22S	1	27190369	
EV	A020	HOLDER	KGLS-16RT	2	27190511	
EV	A021	HOLDER	KGPS-16RF	4	27190991	
EV	A022	HOLDER	KGLS-10RT	1	27190428A	
EV	A027	HOLDER	HOLDER KGLS-18S	1	27190470	
EV	A028	CLIP	CS-1U	1	27255004	
EV	A029	SCREW	3TTB+8B(3CM)SR	1	801637	
EV	A030	SCREW	4TTC+8C(3BC)	4	830440089GR	
EV	A031	SPACER	---	1	27270439	
EV	A033	LABEL	(PT)	1	29363379-1	
EV	A035	HOLDER	KGLS-14RT	1	27190524	<E MPP>
EV	A037	BUSHING	S-RELIEF #2271	1	27300750	!
EV	A039	TAPE	TAPE(CLOTH-16U)	(1)	29110083	
EV	A040	HEAT SINK	(AS)	1	27160602A	
EV	A041	BRACKET	(HT-L)	1	27131016A	
EV	A042	BRACKET	(HT-R)	1	27131017A	

EV	A043	SCREW	3TTB+8B(3CM)SR	4	801637	
EV	A044	SCREW	3TTB+8B(3CM)SR	4	801637	
EV	A045	SPACER	T0.5 x 8 x 3.5	2	27270463	
EV	A046	SCREW	3TTB+8B(3CM)SR	1	801637	
EV	A048	SCREW	3TTB+8B(3CM)SR	1	801637	
EV	A049	SCREW	3SMS8W.SW+14B(CU)	14	801634	
EV	A050	IB CUSHION	W15 x 3t TAPE	1	28141585	
EV	A055	KNOB	(VOL) BLACK	1	28326514	(B)
EV	A055	KNOB	(VOL) SILVER	1	28326515	(S)
EV	A055	KNOB	(VOL) GOLD	1	28326516	(G)
EV	A056	KNOB	(SETUP) BLACK	1	28326517B	(B)
EV	A056	KNOB	(SETUP) SILVER	1	28326518B	(S)
EV	A056	KNOB	(SETUP) SILVER	1	28326518B	(G)
EV	A057	SPRING	---	1	27180596	
EV	A060	COVER	(B)	1	28184961	(B)
EV	A060	COVER	(S)	1	28184962	(S)
EV	A060	COVER	(G)	1	28184963	(G)
EV	A061	SCREW	3TTB+8B(3BC)	6	838430088GR	(B)
EV	A061	SCREW	3TTB+8B(3CM)SR	6	801637	(S)
EV	A061	SCREW	3TTB+8B(3CM)	6	838130088GR	(G)
EV	A062	CUSHION	---	1	28141681	
EV	A065	BOTTOM LEG	---	4	27175432B	
EV	A066	CUSHION	---	4	28141664	
EV	A068	SCREW	3TTB+8B(3CM)SR	4	801637	
EV	A069	CUSHION	---	1	28141687	
EV	A071	CUSHION	---	1	28141688	
EV	A071	CUSHION	---	2	28141688	<E MPP>
EV	A072	CHASSIS	TXSR505/605	1	---	NSP
EV	A073	F PANEL	TXSR505BMDD/MDC	1	27212965A	(B) <MDD>
EV	A073	F PANEL	TXSR505BMDD/MDC	1	27212965A	(B) <MDC>
EV	A073	F PANEL	TXSR505BMWO	1	27212967	(B) <MWO>
EV	A073	F PANEL	TXSR505SMDC	1	27212968A	(S) <MDC>
EV	A073	F PANEL	TXSR505SMWO	1	27212970	(S) <MWO>
EV	A073	F PANEL	TXSR505SMWO	1	27212970	(G) <MGK>
EV	A073	F PANEL	TXSR505GMWT	1	27212971	(S) <MWT>
EV	A073	F PANEL	TXSR505GMWT	1	27212971	(G) <MGK>
EV	A073	F PANEL	TXSR505GMWT	1	27212971	(G) <MGQ>
EV	A073	F PANEL	TXSR505BMPP	1	27212966	(B) <E MPP>
EV	A073	F PANEL	TXSR505SMPP	1	27212969	(S) <E MPP>
EV	A074	HOLDER	(FAN)	8	27191302	<MWO, MWT>
EV	A075	SPACER	SPACER 8 x 3 x 0.188	2	27270147	
EV	A077	BADGE	---	1	28135244	(B)
EV	A077	BADGE	---	1	28135298	(S)
EV	A077	BADGE	---	1	28135245	(G)
EV	A083	CLEAR PLT	---	1	28192161	(B) <MDD>
EV	A083	CLEAR PLT	---	1	28192161	(B) <MDC>
EV	A083	CLEAR PLT	---	1	28192159	(B) <MWO>
EV	A083	CLEAR PLT	---	1	28192165	(S) <MDC>
EV	A083	CLEAR PLT	---	1	28192163	(S) <MWO>
EV	A083	CLEAR PLT	---	1	28192163	(S) <MGK>
EV	A083	CLEAR PLT	---	1	28192163	(G) <MWT>

EV	A083	CLEAR PLT	---	1	28192163	(G) <MGK>
EV	A083	CLEAR PLT	---	1	28192163	(G) <MGQ>
EV	A083	CLEAR PLT	---	1	28192158	(B) <E MPP>
EV	A083	CLEAR PLT	---	1	28192162	(S) <E MPP>
EV	A089	SCREW	3TTB+8B(3BC)	3	838430088GR	
EV	A093	REAR PANEL	TXSR505MDD/MDC	1	27123669A	<MDD>
EV	A093	REAR PANEL	TXSR505MDD/MDC	1	27123669A	<MDC>
EV	A093	REAR PANEL	TXSR505MWO	1	27123671A	<MWO>
EV	A093	REAR PANEL	TXSR505MGK	1	27123674A	<MGK>
EV	A093	REAR PANEL	TXSR505MWO	1	27123671A	<MWT>
EV	A093	REAR PANEL	TXSR505MGK	1	27123674A	<MGQ>
EV	A093	REAR PANEL	TXSR505MPP	1	27123670A	<E MPP>
EV	A097	SCREW	3TTB+8B(3BC)	35	838430088GR	<MDD>
EV	A097	SCREW	3TTB+8B(3BC)	35	838430088GR	<MDC>
EV	A097	SCREW	3TTB+8B(3BC)	34	838430088GR	<MWO>
EV	A097	SCREW	3TTB+8B(3BC)	32	838430088GR	<MGK>
EV	A097	SCREW	3TTB+8B(3BC)	34	838430088GR	<MWT>
EV	A097	SCREW	3TTB+8B(3BC)	32	838430088GR	<MGQ>
EV	A097	SCREW	3TTB+8B(3BC)	35	838430088GR	<E MPP>
EV	A098	ISO PLT	---	1	28175324	
EV	A099	P RIVET	P-3055B-8L	2	880048	
EV	A102	LABEL	(COVER)	1	29364123	
EV	A109	LABEL	HOOKUP-ONKYO	1	29363194	<MDD, MDC>
EV	F901	FUSE	8A-UL/T-233	1	252329GR	!, <MDD, MDC>
EV	F901 or	FUSE	8A-T/UL-ST2	(1)	252261GR	!, <MDD, MDC>
EV	F901	FUSE	4A-SE-EAK FUSE	1	252077GR	!, <MWO>
EV	F901 or	FUSE	4A-SE-TL250V	(1)	252277GR	!, <MWO>
EV	F901	FUSE	4A-SE-EAK FUSE	1	252077GR	!, <MGK>
EV	F901 or	FUSE	4A-SE-TL250V	(1)	252277GR	!, <MGK>
EV	F901	FUSE	4A-SE-EAK FUSE	1	252077GR	!, <MWT>
EV	F901 or	FUSE	4A-SE-TL250V	(1)	252277GR	!, <MWT>
EV	F901	FUSE	4A-SE-EAK FUSE	1	252077GR	!, <MGQ>
EV	F901 or	FUSE	4A-SE-TL250V	(1)	252277GR	!, <MGQ>
EV	F901	FUSE	4A-SE-EAK FUSE	1	252077GR	!, <E MPP>
EV	F901 or	FUSE	4A-SE-TL250V	(1)	252277GR	!, <E MPP>
EV	F901C	LABEL	T4AL250V	1	29361732A	!, <MWO>
EV	F901C	LABEL	T4AL250V	1	29361732A	!, <MGK>
EV	F901C	LABEL	T4AL250V	1	29361732A	!, <MWT>
EV	F901C	LABEL	T4AL250V	1	29361732A	!, <MGQ>
EV	F901C	LABEL	T4AL250V	1	29361732A	!, <E MPP>
EV	F902	FUSE	4A-SE-EAK FUSE	1	252077GR	!, <MWO, MWT>
EV	F902 or	FUSE	4A-SE-TL250V	(1)	252277GR	!, <MWO, MWT>
EV	F6901	FUSE	10A-UL/T-233	1	252330GR	!
EV	F6901 or	FUSE	10A-T/UL-ST2	(1)	252333GR	!
EV	F6902	FUSE	10A-UL/T-233	1	252330GR	!
EV	F6902 or	FUSE	10A-T/UL-ST2	(1)	252333GR	!
EV	P101	FFC	NCFC7-131012	1	2047131012	
EV	P6601A	P RIVET	JB-407A-C	14	880052	<MWO>
EV	P6601A	P RIVET	JB-407A-C	14	880052	<MGK>
EV	P6601A	P RIVET	JB-407A-C	14	880052	<MWT>
EV	P6601A	P RIVET	JB-407A-C	14	880052	<MGQ>

EV	P6601A	P RIVET	JB-407A-C	14	880052	<E MPP>
EV	P691	FAN	DO5X-12T	1	24502321	<MWO,MWT>
EV	P701	FFC	NCFC3-32026	1	204332026	
EV	P901	AC CORD	AS-UC-2	1	253333VOL	!, <MDD, MDC>
EV	P901 or	AC CORD	AS-UC-2	(1)	253368LTK	!, <MDD, MDC>
EV	P901 or	AC CORD	AS-UC-2	(1)	253368YUN	!, <MDD, MDC>
EV	P901 or	AC CORD	AS-UC-2	(1)	253368HSN	!, <MDD, MDC>
EV	P901	AC CORD	AS-CEE-2	1	253306VOL	!, <MWO,MWT>
EV	P901 or	AC CORD	AS-CEE-2	(1)	253374LTK	!, <MWO,MWT>
EV	P901 or	AC CORD	AS-CEE-2	(1)	253374YUN	!, <MWO,MWT>
EV	P901	AC CORD	AS-KS	1	253406VOL	!, <MGK>
EV	P901	AC CORD	AS-BS	1	253198VOL	!, <MGQ>
EV	P901 or	AC CORD	AS-BS	(1)	253198LTK	!, <MGQ>
EV	P901	AC CORD	AS-CEE-2	1	253306VOL	!, <E MPP>
EV	P901 or	AC CORD	AS-CEE-2	(1)	253374LTK	!, <E MPP>
EV	P901 or	AC CORD	AS-CEE-2	(1)	253374YUN	!, <E MPP>
EV	Q6050	TR	MN130S-P	1	2203666	!
EV	Q6050 or	TR	MN130S-Y	(1)	2203664	!
EV	Q6050 or	TR	MN130S-O	(1)	2203663	!
EV	Q6050	TR	2SC5242-O	1	2202843	!, <E MPP>
EV	Q6050 or	TR	2SC5242-R	(1)	2202842	!, <E MPP>
EV	Q6050A	ISO SHEET	AC238	2	223024	
EV	Q6050B	ISO SHEET	ISO SHEET	6	223041	
EV	Q6051	TR	MN130S-P	1	2203666	!
EV	Q6051 or	TR	MN130S-Y	(1)	2203664	!
EV	Q6051 or	TR	MN130S-O	(1)	2203663	!
EV	Q6051	TR	2SC5242-O	1	2202843	!, <E MPP>
EV	Q6051 or	TR	2SC5242-R	(1)	2202842	!, <E MPP>
EV	Q6052	TR	MN130S-P	1	2203666	!
EV	Q6052 or	TR	MN130S-Y	(1)	2203664	!
EV	Q6052 or	TR	MN130S-O	(1)	2203663	!
EV	Q6052	TR	2SC5242-O	1	2202843	!, <E MPP>
EV	Q6052 or	TR	2SC5242-R	(1)	2202842	!, <E MPP>
EV	Q6053	TR	MN130S-P	1	2203666	!
EV	Q6053 or	TR	MN130S-Y	(1)	2203664	!
EV	Q6053 or	TR	MN130S-O	(1)	2203663	!
EV	Q6053 or	TR	KTC5242A-R	(1)	2203952	!
EV	Q6053 or	TR	KTC5242A-O	(1)	2203953	!
EV	Q6053	TR	2SC5242-O	1	2202843	!, <E MPP>
EV	Q6053 or	TR	2SC5242-R	(1)	2202842	!, <E MPP>
EV	Q6054	TR	MN130S-P	1	2203666	!
EV	Q6054 or	TR	MN130S-O	(1)	2203663	!
EV	Q6054 or	TR	MN130S-Y	(1)	2203664	!
EV	Q6054 or	TR	KTC5242A-R	(1)	2203952	!
EV	Q6054 or	TR	KTC5242A-O	(1)	2203953	!
EV	Q6054	TR	2SC5242-O	1	2202843	!, <E MPP>
EV	Q6054 or	TR	2SC5242-R	(1)	2202842	!, <E MPP>
EV	Q6055	TR	MN130S-P	1	2203666	!
EV	Q6055 or	TR	MN130S-O	(1)	2203663	!
EV	Q6055 or	TR	MN130S-Y	(1)	2203664	!
EV	Q6055 or	TR	KTC5242A-R	(1)	2203952	!

EV	Q6055 or	TR	KTC5242A-O	(1)	2203953	!
EV	Q6055	TR	2SC5242-O	1	2202843	!, <E MPP>
EV	Q6055 or	TR	2SC5242-R	(1)	2202842	!, <E MPP>
EV	Q6056	TR	MN130S-P	1	2203666	!
EV	Q6056 or	TR	MN130S-O	(1)	2203663	!
EV	Q6056 or	TR	MN130S-Y	(1)	2203664	!
EV	Q6056 or	TR	KTC5242A-R	(1)	2203952	!
EV	Q6056 or	TR	KTC5242A-O	(1)	2203953	!
EV	Q6056	TR	2SC5242-O	1	2202843	!, <E MPP>
EV	Q6056 or	TR	2SC5242-R	(1)	2202842	!, <E MPP>
EV	Q6060	TR	MP130S-P	1	2203676	!
EV	Q6060 or	TR	MP130S-O	(1)	2203673	!
EV	Q6060 or	TR	MP130S-Y	(1)	2203674	!
EV	Q6060	TR	2SA1962-O	1	2202833	!, <E MPP>
EV	Q6060 or	TR	2SA1962-R	(1)	2202832	!, <E MPP>
EV	Q6061	TR	MP130S-P	1	2203676	!
EV	Q6061 or	TR	MP130S-O	(1)	2203673	!
EV	Q6061 or	TR	MP130S-Y	(1)	2203674	!
EV	Q6061	TR	2SA1962-O	1	2202833	!, <E MPP>
EV	Q6061 or	TR	2SA1962-R	(1)	2202832	!, <E MPP>
EV	Q6062	TR	MP130S-P	1	2203676	!
EV	Q6062 or	TR	MP130S-O	(1)	2203673	!
EV	Q6062 or	TR	MP130S-Y	(1)	2203674	!
EV	Q6062	TR	2SA1962-O	1	2202833	!, <E MPP>
EV	Q6062 or	TR	2SA1962-R	(1)	2202832	!, <E MPP>
EV	Q6063	TR	MP130S-P	1	2203676	!
EV	Q6063 or	TR	MP130S-O	(1)	2203673	!
EV	Q6063 or	TR	MP130S-Y	(1)	2203674	!
EV	Q6063 or	TR	KTA1962A-R	(1)	2203942	!
EV	Q6063 or	TR	KTA1962A-O	(1)	2203943	!
EV	Q6063	TR	2SA1962-O	1	2202833	!, <E MPP>
EV	Q6063 or	TR	2SA1962-R	(1)	2202832	!, <E MPP>
EV	Q6064	TR	MP130S-P	1	2203676	!
EV	Q6064 or	TR	MP130S-O	(1)	2203673	!
EV	Q6064 or	TR	MP130S-Y	(1)	2203674	!
EV	Q6064 or	TR	KTA1962A-R	(1)	2203942	!
EV	Q6064 or	TR	KTA1962A-O	(1)	2203943	!
EV	Q6064	TR	2SA1962-O	1	2202833	!, <E MPP>
EV	Q6064 or	TR	2SA1962-R	(1)	2202832	!, <E MPP>
EV	Q6065	TR	MP130S-P	1	2203676	!
EV	Q6065 or	TR	MP130S-O	(1)	2203673	!
EV	Q6065 or	TR	MP130S-Y	(1)	2203674	!
EV	Q6065 or	TR	KTA1962A-R	(1)	2203942	!
EV	Q6065 or	TR	KTA1962A-O	(1)	2203943	!
EV	Q6065	TR	2SA1962-O	1	2202833	!, <E MPP>
EV	Q6065 or	TR	2SA1962-R	(1)	2202832	!, <E MPP>
EV	Q6066	TR	MP130S-P	1	2203676	!
EV	Q6066 or	TR	MP130S-O	(1)	2203673	!
EV	Q6066 or	TR	MP130S-Y	(1)	2203674	!
EV	Q6066 or	TR	KTA1962A-R	(1)	2203942	!
EV	Q6066 or	TR	KTA1962A-O	(1)	2203943	!

EV	Q6066	TR	2SA1962-O	1	2202833	!, <E MPP>
EV	Q6066 or	TR	2SA1962-R	(1)	2202832	!, <E MPP>
EV	<Note>					
EV	Must use the same HFE rank mutually about the following parts.					
EV	Ref. No. : Q6050 - 6060, Q6051 - 6061, Q6052 - 6062, Q6053 - 6063, Q6054 - 6064, Q6055 - 6055, Q6056 - 6066					
EV	T901	P TRANS	NPT-1516D	1	2301798	!, <MDD, MDC>
EV	T901	P TRANS	NPT-1516DQ	1	2301801	!, <MWO, MWT>
EV	T901	P TRANS	NPT-1516G	1	2301802	!, <MGK, MGQ>
EV	T901	P TRANS	NPT-1516P	1	2301799	!, <E MPP>
EV	U01	AMPLIFIER PC board ass'y	NAAF-8779-2A	1	1B176579-2A	<MDD>
EV	U01	---	NAAF-8779-2A	1	1B176579-2A	<MDC>
EV	U01	---	NAAF-8779-2K	1	1B176579-2K	<MWO>
EV	U01	---	NAAF-8779-2K	1	1B176579-2K	<MGK>
EV	U01	---	NAAF-8779-2K	1	1B176579-2K	<MWT>
EV	U01	---	NAAF-8779-2K	1	1B176579-2K	<MGQ>
EV	U01	---	NAAF-8779-2K	1	1B176579-2K	<E MPP>
EV	U02	TRANS. SEC. TERMINAL PC board ass'y	NAPS-8780-2A	1	1B176580-2A	<MDD>
EV	U02	---	NAPS-8780-2A	1	1B176580-2A	<MDC>
EV	U02	---	NAPS-8780-2K	1	1B176580-2K	<MWO>
EV	U02	---	NAPS-8780-2K	1	1B176580-2K	<MGK>
EV	U02	---	NAPS-8780-2K	1	1B176580-2K	<MWT>
EV	U02	---	NAPS-8780-2K	1	1B176580-2K	<MGQ>
EV	U02	---	NAPS-8780-2K	1	1B176580-2K	<E MPP>
EV	U03	THERMAL SENSOR PC board ass'y	NAETC-8781-2A	1	---	NSP
EV	U04	HOLDER PC board	NAETC-8782-2A	1	---	NSP
EV	U05	DISPLAY PC board ass'y	NADIS-9148-1A	1	1B176548-1A	<MDD, MDC>
EV	U05	---	NADIS-9148-1C	1	1B176548-1C	<MWO>
EV	U05	---	NADIS-9148-1D	1	1B176548-1D	<MGK>
EV	U05	---	NADIS-9148-1C	1	1B176548-1C	<MWT>
EV	U05	---	NADIS-9148-1B	1	1B176548-1B	<MGQ>
EV	U05	---	NADIS-9148-1B	1	1B176548-1B	<E MPP>
EV	U06	SWITCH PC board ass'y	NADIS-9149-1A	1	1B176549-1A	<MDD, MDC>
EV	U06	---	NADIS-9149-1C	1	1B176549-1C	<MWO>
EV	U06	---	NADIS-9149-1D	1	1B176549-1D	<MGK>
EV	U06	---	NADIS-9149-1C	1	1B176549-1C	<MWT>
EV	U06	---	NADIS-9149-1B	1	1B176549-1B	<MGQ>
EV	U06	---	NADIS-9149-1B	1	1B176549-1B	<E MPP>
EV	U07	POWER SUPPLY PC board ass'y	NAPS-9150-1A	1	1B176550-1A	<MDD, MDC>
EV	U07	---	NAPS-9150-1C	1	1B176550-1C	<MWO>
EV	U07	---	NAPS-9150-1D	1	1B176550-1D	<MGK>
EV	U07	---	NAPS-9150-1C	1	1B176550-1C	<MWT>
EV	U07	---	NAPS-9150-1B	1	1B176550-1B	<MGQ>
EV	U07	---	NAPS-9150-1B	1	1B176550-1B	<E MPP>
EV	U08	TRANS. SEC. TERMINAL PC board ass'y	NAPS-9151-1A	1	1B176551-1A	<MDD, MDC>
EV	U08	---	NAPS-9151-1C	1	1B176551-1C	<MWO>
EV	U08	---	NAPS-9151-1D	1	1B176551-1D	<MGK>
EV	U08	---	NAPS-9151-1C	1	1B176551-1C	<MWT>
EV	U08	---	NAPS-9151-1B	1	1B176551-1B	<MGQ>
EV	U08	---	NAPS-9151-1B	1	1B176551-1B	<E MPP>
EV	U09	HEADPHONE JACK PC board ass'y	NAETC-9153-1A	1	---	NSP
EV	U10	SWITCH PC board ass'y	NASW-9157-1C	1	1B176557-1C	<MWO, MWT>

EV	U11	HOLDER PC board ass'y	NAETC-9159-1A	1	---	NSP
EV	U12	DSP PC board ass'y	NADG-9177-1A	1	1B176577-1A	<MDD, MDC>
EV	U12	---	NADG-9177-1C	1	1B176577-1C	<MWO>
EV	U12	---	NADG-9177-1D	1	1B176577-1D	<MGK>
EV	U12	---	NADG-9177-1C	1	1B176577-1C	<MWT>
EV	U12	---	NADG-9177-1D	1	1B176577-1D	<MGQ>
EV	U12	---	NADG-9177-1B	1	1B176577-1B	<E MPP>
EV	U13	VIDEO & SPEAKER TERMINAL PC board ass'y	NAVD-9178-1A	1	1B176578-1A	<MDD, MDC>
EV	U13	---	NAVD-9178-1C	1	1B176578-1C	<MWO>
EV	U13	---	NAVD-9178-1D	1	1B176578-1D	<MGK>
EV	U13	---	NAVD-9178-1C	1	1B176578-1C	<MWT>
EV	U13	---	NAVD-9178-1D	1	1B176578-1D	<MGQ>
EV	U13	---	NAVD-9178-1B	1	1B176578-1B	<E MPP>
EV	U14	HDMI PC board ass'y	NAHDM-9199-1B	1	1B176599-1B	<MDD, MDC>
EV	U14	---	NAHDM-9199-1B	1	1B176599-1B	<E MPP>
EV	U15	TUNER UNIT	ENG06507QFUS	1	240156	<MDD, MDC>
EV	U15 or	TUNER UNIT	FAE385-A11US	(1)	240152	<MDD, MDC>
EV	U15	TUNER UNIT	ENG07506QFEX	1	240159	<MWO, MWT>
EV	U15 or	TUNER UNIT	FAE485-E12EX	(1)	240155	<MWO, MWT>
EV	U15	TUNER UNIT	ENG07506QFEX	1	240159	<MGK, MGQ>
EV	U15 or	TUNER UNIT	FAE485-E12EX	(1)	240155	<MGK, MGQ>
EV	U15	TUNER UNIT	ENG07505QFEU	1	240158	<E MPP>
EV	U15 or	TUNER UNIT	FAE485-E11EU	(1)	240154	<E MPP>

TX-SR505/505E

PC BOARD PARTS LIST

PCB1	U01	AMPLIFIER PC BOARD (NAAF-8779-2A / 2K)
PCB1	U02	TRANS. SEC. TERMINAL PC BOARD (NAPS-8780-2A / 2K)
PCB1	U03	THERMAL SENSOR PC BOARD (NAETC-8781-2A / 2K)

PCB1	CIRCUIT NO.	PART NAME	DESCRIPTION	Q'TY	PART NO. (SN)	REMARKS
PCB1	Q5000	TR	2SC2240-BL(TPE2_F)	1	2211406T	
PCB1	Q5001	TR	2SC2240-BL(TPE2_F)	1	2211406T	
PCB1	Q5002	TR	2SC2240-BL(TPE2_F)	1	2211406T	
PCB1	Q5003	TR	2SC2240-BL(TPE2_F)	1	2211406T	
PCB1	Q5004	TR	2SC2240-BL(TPE2_F)	1	2211406T	
PCB1	Q5005	TR	2SC2240-BL(TPE2_F)	1	2211406T	
PCB1	Q5006	TR	2SC2240-BL(TPE2_F)	1	2211406T	
PCB1	Q5010	TR	2SC2240-BL(TPE2_F)	1	2211406T	
PCB1	Q5011	TR	2SC2240-BL(TPE2_F)	1	2211406T	
PCB1	Q5012	TR	2SC2240-BL(TPE2_F)	1	2211406T	
PCB1	Q5013	TR	2SC2240-BL(TPE2_F)	1	2211406T	
PCB1	Q5014	TR	2SC2240-BL(TPE2_F)	1	2211406T	
PCB1	Q5015	TR	2SC2240-BL(TPE2_F)	1	2211406T	
PCB1	Q5016	TR	2SC2240-BL(TPE2_F)	1	2211406T	
PCB1	Q5030	TR	2SA949-Y(TPE6_F)	1	2211354T	
PCB1	Q5031	TR	2SA949-Y(TPE6_F)	1	2211354T	
PCB1	Q5032	TR	2SA949-Y(TPE6_F)	1	2211354T	
PCB1	Q5033	TR	2SA949-Y(TPE6_F)	1	2211354T	
PCB1	Q5034	TR	2SA949-Y(TPE6_F)	1	2211354T	

PCB1	Q5035	TR	2SA949-Y(TPE6_F)	1	2211354T
PCB1	Q5036	TR	2SA949-Y(TPE6_F)	1	2211354T
PCB1	Q5040	TR	2SC2229-Y(TPE6_F)	1	2211634T
PCB1	Q5041	TR	2SC2229-Y(TPE6_F)	1	2211634T
PCB1	Q5042	TR	2SC2229-Y(TPE6_F)	1	2211634T
PCB1	Q5043	TR	2SC2229-Y(TPE6_F)	1	2211634T
PCB1	Q5044	TR	2SC2229-Y(TPE6_F)	1	2211634T
PCB1	Q5045	TR	2SC2229-Y(TPE6_F)	1	2211634T
PCB1	Q5046	TR	2SC2229-Y(TPE6_F)	1	2211634T
PCB1	Q5050	TR	2SC1815-BL(TPE2_F)	1	2211256T
PCB1	Q5050 or	TR	2SC1815-GR	(1)	2211255T
PCB1	Q5051	TR	2SC1815-BL(TPE2_F)	1	2211256T
PCB1	Q5051 or	TR	2SC1815-GR	(1)	2211255T
PCB1	Q5052	TR	2SC1815-BL(TPE2_F)	1	2211256T
PCB1	Q5052 or	TR	2SC1815-GR	(1)	2211255T
PCB1	Q5053	TR	2SC1815-BL(TPE2_F)	1	2211256T
PCB1	Q5053 or	TR	2SC1815-GR	(1)	2211255T
PCB1	Q5054	TR	2SC1815-BL(TPE2_F)	1	2211256T
PCB1	Q5054 or	TR	2SC1815-GR	(1)	2211255T
PCB1	Q5055	TR	2SC1815-BL(TPE2_F)	1	2211256T
PCB1	Q5055 or	TR	2SC1815-GR	(1)	2211255T
PCB1	Q5056	TR	2SC1815-BL(TPE2_F)	1	2211256T
PCB1	Q5056 or	TR	2SC1815-GR	(1)	2211255T
PCB1	Q5501	IC	R2S15211FP	1	22242297R3
PCB1	Q5503	IC	NJM4580M-D	1	22241448R2
PCB1	Q5600	TR	RN1441	1	2215410R2
PCB1	Q5601	TR	RN1441	1	2215410R2
PCB1	Q5602	TR	RN1441	1	2215410R2
PCB1	Q5603	TR	RN1441	1	2215410R2
PCB1	Q5604	TR	RN1441	1	2215410R2
PCB1	Q5605	TR	RN1441	1	2215410R2
PCB1	Q5606	TR	RN1441	1	2215410R2
PCB1	Q5607	TR	RN1441	1	2215410R2
PCB1	Q5610	TR	RN1441	1	2215410R2
PCB1	Q5630	IC	NJM4580M-D	1	22241448R2
PCB1	Q5670	IC	78M12HF(NJM78M12FA)	1	222780125JRC
PCB1	Q5670 or	IC	MPC78M12AHF-AZ	(1)	222780125NEC
PCB1	Q5670 or	IC	78M12(AN78M12F)	(1)	222780125MAT
PCB1	Q5670A	HEAT-SINK	HEAT-SINK(RAD-68)	1	27160211
PCB1	Q5670B	SCREW	3P+10FN(3BC)	1	82143010GR
PCB1	Q5671	IC	79M12HF(NJM79M12FA)	1	222790125JRC
PCB1	Q5671 or	IC	79M12HF(MPC79M12HF)	(1)	222790125NEC
PCB1	Q5671 or	IC	79M12F(AN79M12F)	(1)	222790125MAT
PCB1	Q5671A	HEAT-SINK	HEAT-SINK(RAD-68)	1	27160211
PCB1	Q5671B	SCREW	3P+10FN(3BC)	1	82143010GR
PCB1	Q6000	TR	2SC1740S-S	1	2213285T
PCB1	Q6001	TR	2SC1740S-S	1	2213285T
PCB1	Q6002	TR	2SC1740S-S	1	2213285T
PCB1	Q6003	TR	2SC1740S-S	1	2213285T
PCB1	Q6004	TR	2SC1740S-S	1	2213285T
PCB1	Q6005	TR	2SC1740S-S	1	2213285T

PCB1	Q6006	TR		2SC1740S-S	1	2213285T
PCB1	Q6010	TR		2SC1740S-S	1	2213285T
PCB1	Q6011	TR		2SC1740S-S	1	2213285T
PCB1	Q6012	TR		2SC1740S-S	1	2213285T
PCB1	Q6013	TR		2SC1740S-S	1	2213285T
PCB1	Q6014	TR		2SC1740S-S	1	2213285T
PCB1	Q6015	TR		2SC1740S-S	1	2213285T
PCB1	Q6016	TR		2SC1740S-S	1	2213285T
PCB1	Q6030	TR		2SC5171(ONK_Q)	1	2203010
PCB1	Q6030 or	TR		2SC5993-Q_P	(1)	2217161
PCB1	Q6031	TR		2SC5171(ONK_Q)	1	2203010
PCB1	Q6031 or	TR		2SC5993-Q_P	(1)	2217161
PCB1	Q6032	TR		2SC5171(ONK_Q)	1	2203010
PCB1	Q6032 or	TR		2SC5993-Q_P	(1)	2217161
PCB1	Q6033	TR		2SC5171(ONK_Q)	1	2203010
PCB1	Q6033 or	TR		KTD2061-Y	(1)	2203434
PCB1	Q6034	TR		2SC5171(ONK_Q)	1	2203010
PCB1	Q6034 or	TR		KTD2061-Y	(1)	2203434
PCB1	Q6035	TR		2SC5171(ONK_Q)	1	2203010
PCB1	Q6035 or	TR		KTD2061-Y	(1)	2203434
PCB1	Q6036	TR		2SC5171(ONK_Q)	1	2203010
PCB1	Q6036 or	TR		KTD2061-Y	(1)	2203434
PCB1	Q6040	TR		2SA1930(ONK_Q)	1	2203000
PCB1	Q6040 or	TR		2SA2140-Q_P	(1)	2217151
PCB1	Q6041	TR		2SA1930(ONK_Q)	1	2203000
PCB1	Q6041 or	TR		2SA2140-Q_P	(1)	2217151
PCB1	Q6042	TR		2SA1930(ONK_Q)	1	2203000
PCB1	Q6042 or	TR		2SA2140-Q_P	(1)	2217151
PCB1	Q6043	TR		2SA1930(ONK_Q)	1	2203000
PCB1	Q6043 or	TR		KTB1369-Y	(1)	2203424
PCB1	Q6044	TR		2SA1930(ONK_Q)	1	2203000
PCB1	Q6044 or	TR		KTB1369-Y	(1)	2203424
PCB1	Q6045	TR		2SA1930(ONK_Q)	1	2203000
PCB1	Q6045 or	TR		KTB1369-Y	(1)	2203424
PCB1	Q6046	TR		2SA1930(ONK_Q)	1	2203000
PCB1	Q6046 or	TR		KTB1369-Y	(1)	2203424
PCB1	Q6070	TR		2SC2240-BL(TPE2_F)	1	2211406T
PCB1	Q6070 or	TR		2SC2240-GR	(1)	2211405T
PCB1	Q6071	TR		2SC2240-BL(TPE2_F)	1	2211406T
PCB1	Q6071 or	TR		2SC2240-GR	(1)	2211405T
PCB1	Q6072	TR		2SC2240-BL(TPE2_F)	1	2211406T
PCB1	Q6072 or	TR		2SC2240-GR	(1)	2211405T
PCB1	Q6073	TR		2SC2240-BL(TPE2_F)	1	2211406T
PCB1	Q6073 or	TR		2SC2240-GR	(1)	2211405T
PCB1	Q6074	TR		2SC2240-BL(TPE2_F)	1	2211406T
PCB1	Q6074 or	TR		2SC2240-GR	(1)	2211405T
PCB1	Q6075	TR		2SC2240-BL(TPE2_F)	1	2211406T
PCB1	Q6075 or	TR		2SC2240-GR	(1)	2211405T
PCB1	Q6076	TR		2SC2240-BL(TPE2_F)	1	2211406T
PCB1	Q6076 or	TR		2SC2240-GR	(1)	2211405T
PCB1	Q6380	IC		LM61CIZ	1	22242212

PCB1	Q6380A	RETAINER	(PTH)	1	27141884-1
PCB1	Q6701	TR	2SC2712-GR	1	2213145R2
PCB1	Q6701 or	TR	KTC3875-GR	(1)	2216175R2
PCB1	Q6702	TR	2SC2712-GR	1	2213145R2
PCB1	Q6702 or	TR	KTC3875-GR	(1)	2216175R2
PCB1	Q6703	TR	2SA1163-BL(TE85L_F)	1	2216756R2
PCB1	Q6707	TR	2SC2712-GR	1	2213145R2
PCB1	Q6707 or	TR	KTC3875-GR	(1)	2216175R2
PCB1	D5000	ZENER D	MTZJ5.6B	1	224470562T
PCB1	D5001	ZENER D	MTZJ5.6B	1	224470562T
PCB1	D5002	ZENER D	MTZJ5.6B	1	224470562T
PCB1	D5003	ZENER D	MTZJ5.6B	1	224470562T
PCB1	D5004	ZENER D	MTZJ5.6B	1	224470562T
PCB1	D5005	ZENER D	MTZJ5.6B	1	224470562T
PCB1	D5006	ZENER D	MTZJ5.6B	1	224470562T
PCB1	D5671	ZENER D	MTZJ6.2C	1	224470623T
PCB1	D5672	ZENER D	MTZJ6.2C	1	224470623T
PCB1	D5673	DIODE	ISS133	1	223163T
PCB1	D5674	DIODE	ISS133	1	223163T
PCB1	D5704	C-DIODE	ISS352	1	223234R2
PCB1	D5704 or	C-DIODE	KDS4148U	(1)	223283R2
PCB1	D5704 or	C-DIODE	ISS355	(1)	223269R2
PCB1	D5705	C-DIODE	ISS352	1	223234R2
PCB1	D5705 or	C-DIODE	KDS4148U	(1)	223283R2
PCB1	D5705 or	C-DIODE	ISS355	(1)	223269R2
PCB1	D5706	C-DIODE	ISS352	1	223234R2
PCB1	D5706 or	C-DIODE	KDS4148U	(1)	223283R2
PCB1	D5706 or	C-DIODE	ISS355	(1)	223269R2
PCB1	D5708	C-DIODE	ISS352	1	223234R2
PCB1	D5708 or	C-DIODE	KDS4148U	(1)	223283R2
PCB1	D5708 or	C-DIODE	ISS355	(1)	223269R2
PCB1	D5714	C-DIODE	ISS352	1	223234R2
PCB1	D5714 or	C-DIODE	KDS4148U	(1)	223283R2
PCB1	D5714 or	C-DIODE	ISS355	(1)	223269R2
PCB1	D5715	C-DIODE	ISS352	1	223234R2
PCB1	D5715 or	C-DIODE	KDS4148U	(1)	223283R2
PCB1	D5715 or	C-DIODE	ISS355	(1)	223269R2
PCB1	D5716	C-DIODE	ISS352	1	223234R2
PCB1	D5716 or	C-DIODE	KDS4148U	(1)	223283R2
PCB1	D5716 or	C-DIODE	ISS355	(1)	223269R2
PCB1	D5718	C-DIODE	ISS352	1	223234R2
PCB1	D5718 or	C-DIODE	KDS4148U	(1)	223283R2
PCB1	D5718 or	C-DIODE	ISS355	(1)	223269R2
PCB1	D6000	C-DIODE	ISS352	1	223234R2
PCB1	D6000 or	C-DIODE	KDS4148U	(1)	223283R2
PCB1	D6000 or	C-DIODE	ISS355	(1)	223269R2
PCB1	D6001	C-DIODE	ISS352	1	223234R2
PCB1	D6001 or	C-DIODE	KDS4148U	(1)	223283R2
PCB1	D6001 or	C-DIODE	ISS355	(1)	223269R2
PCB1	D6002	C-DIODE	ISS352	1	223234R2
PCB1	D6002 or	C-DIODE	KDS4148U	(1)	223283R2

PCB1	D6002 or	C-DIODE	ISS355	(1)	223269R2
PCB1	D6003	C-DIODE	ISS352	1	223234R2
PCB1	D6003 or	C-DIODE	KDS4148U	(1)	223283R2
PCB1	D6003 or	C-DIODE	ISS355	(1)	223269R2
PCB1	D6004	C-DIODE	ISS352	1	223234R2
PCB1	D6004 or	C-DIODE	KDS4148U	(1)	223283R2
PCB1	D6004 or	C-DIODE	ISS355	(1)	223269R2
PCB1	D6005	C-DIODE	ISS352	1	223234R2
PCB1	D6005 or	C-DIODE	KDS4148U	(1)	223283R2
PCB1	D6005 or	C-DIODE	ISS355	(1)	223269R2
PCB1	D6006	C-DIODE	ISS352	1	223234R2
PCB1	D6006 or	C-DIODE	KDS4148U	(1)	223283R2
PCB1	D6006 or	C-DIODE	ISS355	(1)	223269R2
PCB1	D6010	C-DIODE	ISS352	1	223234R2
PCB1	D6010 or	C-DIODE	KDS4148U	(1)	223283R2
PCB1	D6010 or	C-DIODE	ISS355	(1)	223269R2
PCB1	D6011	C-DIODE	ISS352	1	223234R2
PCB1	D6011 or	C-DIODE	KDS4148U	(1)	223283R2
PCB1	D6011 or	C-DIODE	ISS355	(1)	223269R2
PCB1	D6012	C-DIODE	ISS352	1	223234R2
PCB1	D6012 or	C-DIODE	KDS4148U	(1)	223283R2
PCB1	D6012 or	C-DIODE	ISS355	(1)	223269R2
PCB1	D6013	C-DIODE	ISS352	1	223234R2
PCB1	D6013 or	C-DIODE	KDS4148U	(1)	223283R2
PCB1	D6013 or	C-DIODE	ISS355	(1)	223269R2
PCB1	D6014	C-DIODE	ISS352	1	223234R2
PCB1	D6014 or	C-DIODE	KDS4148U	(1)	223283R2
PCB1	D6014 or	C-DIODE	ISS355	(1)	223269R2
PCB1	D6015	C-DIODE	ISS352	1	223234R2
PCB1	D6015 or	C-DIODE	KDS4148U	(1)	223283R2
PCB1	D6015 or	C-DIODE	ISS355	(1)	223269R2
PCB1	D6016	C-DIODE	ISS352	1	223234R2
PCB1	D6016 or	C-DIODE	KDS4148U	(1)	223283R2
PCB1	D6016 or	C-DIODE	ISS355	(1)	223269R2
PCB1	D6701	C-DIODE	ISS352	1	223234R2
PCB1	D6701 or	C-DIODE	KDS4148U	(1)	223283R2
PCB1	D6701 or	C-DIODE	ISS355	(1)	223269R2
PCB1	D6702	C-DIODE	ISS352	1	223234R2
PCB1	D6702 or	C-DIODE	KDS4148U	(1)	223283R2
PCB1	D6702 or	C-DIODE	ISS355	(1)	223269R2
PCB1	D6703	ZENER D	UDZS5.1B	1	224550510R2
PCB1	D6704	ZENER D	UDZS5.1B	1	224550510R2
PCB1	D6901	DIODE	D10XB60H	1	22380337
PCB1	D6901A	HEAT SINK	RAD-196	1	27160545
PCB1	D6901C	SCREW	3P+10FN(3BC)	2	82143010GR
PCB1	D6902	C-DIODE	ISS352	1	223234R2
PCB1	D6902 or	C-DIODE	KDS4148U	(1)	223283R2
PCB1	D6902 or	C-DIODE	ISS355	(1)	223269R2
PCB1	D6903	DIODE	D10XB60H	1	22380337
PCB1	D9001	DIODE	RL1N4003	1	22380260T
PCB1	D9001 or	DIODE	GP104003E	(1)	22380035T

PCB1	D9002	DIODE	RL1N4003	1	22380260T
PCB1	D9002 or	DIODE	GP104003E	(1)	22380035T
PCB1	D9003	DIODE	RL1N4003	1	22380260T
PCB1	D9003 or	DIODE	GP104003E	(1)	22380035T
PCB1	D9004	DIODE	RL1N4003	1	22380260T
PCB1	D9004 or	DIODE	GP104003E	(1)	22380035T
PCB1	C5000	TF C	ECQ-B50V-221K	1	374722215T
PCB1	C5001	TF C	ECQ-B50V-221K	1	374722215T
PCB1	C5002	TF C	ECQ-B50V-221K	1	374722215T
PCB1	C5003	TF C	ECQ-B50V-221K	1	374722215T
PCB1	C5004	TF C	ECQ-B50V-221K	1	374722215T
PCB1	C5005	TF C	ECQ-B50V-221K	1	374722215T
PCB1	C5006	TF C	ECQ-B50V-221K	1	374722215T
PCB1	C5010	UTSP C	CE04W50V 47M(UTSP)	1	397584707T
PCB1	C5011	UTSP C	CE04W50V 47M(UTSP)	1	397584707T
PCB1	C5012	UTSP C	CE04W50V 47M(UTSP)	1	397584707T
PCB1	C5013	UTSP C	CE04W50V 47M(UTSP)	1	397584707T
PCB1	C5014	UTSP C	CE04W50V 47M(UTSP)	1	397584707T
PCB1	C5015	UTSP C	CE04W50V 47M(UTSP)	1	397584707T
PCB1	C5016	UTSP C	CE04W50V 47M(UTSP)	1	397584707T
PCB1	C5020	UTSP C	CE04W50V-10M(UTSP)	1	397581007T
PCB1	C5021	UTSP C	CE04W50V-10M(UTSP)	1	397581007T
PCB1	C5022	UTSP C	CE04W50V-10M(UTSP)	1	397581007T
PCB1	C5023	UTSP C	CE04W50V-10M(UTSP)	1	397581007T
PCB1	C5024	UTSP C	CE04W50V-10M(UTSP)	1	397581007T
PCB1	C5025	UTSP C	CE04W50V-10M(UTSP)	1	397581007T
PCB1	C5026	UTSP C	CE04W50V-10M(UTSP)	1	397581007T
PCB1	C5040	UTSP C	CE04W25V-220M(UTSP)	1	397552217T
PCB1	C5041	UTSP C	CE04W25V-220M(UTSP)	1	397552217T
PCB1	C5042	UTSP C	CE04W25V-220M(UTSP)	1	397552217T
PCB1	C5043	UTSP C	CE04W25V-220M(UTSP)	1	397552217T
PCB1	C5044	UTSP C	CE04W25V-220M(UTSP)	1	397552217T
PCB1	C5045	UTSP C	CE04W25V-220M(UTSP)	1	397552217T
PCB1	C5046	UTSP C	CE04W25V-220M(UTSP)	1	397552217T
PCB1	C5050	UTSP C	CE04W50V 47M(UTSP)	1	397584707T
PCB1	C5051	UTSP C	CE04W50V 47M(UTSP)	1	397584707T
PCB1	C5052	UTSP C	CE04W50V 47M(UTSP)	1	397584707T
PCB1	C5053	UTSP C	CE04W50V 47M(UTSP)	1	397584707T
PCB1	C5054	UTSP C	CE04W50V 47M(UTSP)	1	397584707T
PCB1	C5055	UTSP C	CE04W50V 47M(UTSP)	1	397584707T
PCB1	C5056	UTSP C	CE04W50V 47M(UTSP)	1	397584707T
PCB1	C5080	CERA C	CC45SL50V-040D	1	345020402T
PCB1	C5081	CERA C	CC45SL50V-040D	1	345020402T
PCB1	C5082	CERA C	CC45SL50V-040D	1	345020402T
PCB1	C5083	CERA C	CC45SL50V-040D	1	345020402T
PCB1	C5084	CERA C	CC45SL50V-040D	1	345020402T
PCB1	C5085	CERA C	CC45SL50V-040D	1	345020402T
PCB1	C5086	CERA C	CC45SL50V-040D	1	345020402T
PCB1	C5090	TF C	ECQ-B50V-101K	1	374721015T
PCB1	C5091	TF C	ECQ-B50V-101K	1	374721015T
PCB1	C5092	TF C	ECQ-B50V-101K	1	374721015T

PCB1	C5093	TF C	ECQ-B50V-101K	1	374721015T
PCB1	C5094	TF C	ECQ-B50V-101K	1	374721015T
PCB1	C5095	TF C	ECQ-B50V-101K	1	374721015T
PCB1	C5096	TF C	ECQ-B50V-101K	1	374721015T
PCB1	C5100	VR C	CE04W100V-22M(VR)	1	394692207T
PCB1	C5101	VR C	CE04W100V-22M(VR)	1	394692207T
PCB1	C5102	VR C	CE04W100V-22M(VR)	1	394692207T
PCB1	C5103	VR C	CE04W100V-22M(VR)	1	394692207T
PCB1	C5104	VR C	CE04W100V-22M(VR)	1	394692207T
PCB1	C5105	VR C	CE04W100V-22M(VR)	1	394692207T
PCB1	C5106	VR C	CE04W100V-22M(VR)	1	394692207T
PCB1	C5110	VR C	CE04W100V-22M(VR)	1	394692207T
PCB1	C5111	VR C	CE04W100V-22M(VR)	1	394692207T
PCB1	C5112	VR C	CE04W100V-22M(VR)	1	394692207T
PCB1	C5113	VR C	CE04W100V-22M(VR)	1	394692207T
PCB1	C5114	VR C	CE04W100V-22M(VR)	1	394692207T
PCB1	C5115	VR C	CE04W100V-22M(VR)	1	394692207T
PCB1	C5116	VR C	CE04W100V-22M(VR)	1	394692207T
PCB1	C5503	TF C	ECQ-B50V-221K	1	374722215T
PCB1	C5504	TF C	ECQ-B50V-221K	1	374722215T
PCB1	C5507	C-CERA C	CC725CH1H-221J1	1	342102214R1
PCB1	C5508	C-CERA C	CC725CH1H-221J1	1	342102214R1
PCB1	C5513	C-CERA C	CC725CH1H-221J1	1	342102214R1
PCB1	C5514	C-CERA C	CC725CH1H-221J1	1	342102214R1
PCB1	C5517	C-CERA C	CC725CH1H-221J1	1	342102214R1
PCB1	C5518	C-CERA C	CC725CH1H-221J1	1	342102214R1
PCB1	C5519	TF C	ECQ-B50V-221K	1	374722215T
PCB1	C5520	TF C	ECQ-B50V-221K	1	374722215T
PCB1	C5521	C-CERA C	CC725CH1H-221J1	1	342102214R1
PCB1	C5522	C-CERA C	CC725CH1H-221J1	1	342102214R1
PCB1	C5523	C-CERA C	CC725CH1H-221J1	1	342102214R1
PCB1	C5524	TF C	ECQ-B50V-221K	1	374722215T
PCB1	C5525	C-CERA C	CC725CH1H-221J1	1	342102214R1
PCB1	C5526	C-CERA C	CC725CH1H-221J1	1	342102214R1
PCB1	C5551	UTSP C	CE04W25V-47M(UTSP)	1	397554707T
PCB1	C5552	UTSP C	CE04W25V-47M(UTSP)	1	397554707T
PCB1	C5553	UTSP C	CE04W25V-47M(UTSP)	1	397554707T
PCB1	C5554	UTSP C	CE04W25V-47M(UTSP)	1	397554707T
PCB1	C5555	UTSP C	CE04W25V-47M(UTSP)	1	397554707T
PCB1	C5556	UTSP C	CE04W25V-47M(UTSP)	1	397554707T
PCB1	C5557	UTSP C	CE04W25V-47M(UTSP)	1	397554707T
PCB1	C5558	UTSP C	CE04W25V-47M(UTSP)	1	397554707T
PCB1	C5559	TF C	ECQ-V50V-474J	1	374724744T
PCB1	C5560	TF C	ECQ-V50V-823J	1	374728234T
PCB1	C5561	TF C	ECQ-B50V-223J	1	374722234T
PCB1	C5562	TF C	ECQ-V50V-474J	1	374724744T
PCB1	C5563	TF C	ECQ-V50V-823J	1	374728234T
PCB1	C5564	TF C	ECQ-B50V-223J	1	374722234T
PCB1	C5565	UTSP C	CE04W25V-47M(UTSP)	1	397554707T
PCB1	C5566	UTSP C	CE04W25V-47M(UTSP)	1	397554707T
PCB1	C5569	UTSP C	CE04W50V 47M(UTSP)	1	397584707T

PCB1	C5570	UTSP C	CE04W50V 47M(UTSP)	1	397584707T
PCB1	C5571	UTSP C	CE04W50V 47M(UTSP)	1	397584707T
PCB1	C5572	UTSP C	CE04W50V 47M(UTSP)	1	397584707T
PCB1	C5573	UTSP C	CE04W50V 47M(UTSP)	1	397584707T
PCB1	C5574	UTSP C	CE04W50V 47M(UTSP)	1	397584707T
PCB1	C5575	UTSP C	CE04W50V 47M(UTSP)	1	397584707T
PCB1	C5576	UTSP C	CE04W50V 47M(UTSP)	1	397584707T
PCB1	C5590	C-CERA C	CC725CH1H-330J1	1	342103304R1
PCB1	C5591	C-CERA C	CC725CH1H-330J1	1	342103304R1
PCB1	C5600	UTSP C	CE04W25V-100M(UTSP)	1	397551017T
PCB1	C5601	UTSP C	CE04W50V 47M(UTSP)	1	397584707T
PCB1	C5602	UTSP C	CE04W50V 47M(UTSP)	1	397584707T
PCB1	C5603	UTSP C	CE04W50V 47M(UTSP)	1	397584707T
PCB1	C5604	UTSP C	CE04W50V 47M(UTSP)	1	397584707T
PCB1	C5605	UTSP C	CE04W50V 47M(UTSP)	1	397584707T
PCB1	C5606	UTSP C	CE04W50V 47M(UTSP)	1	397584707T
PCB1	C5607	UTSP C	CE04W50V 47M(UTSP)	1	397584707T
PCB1	C5630	UTSP C	CE04W50V 47M(UTSP)	1	397584707T
PCB1	C5631	C-CERA C	CC725CH1H-221J1	1	342102214R1
PCB1	C5632	TF C	ECQ-B50V-103J	1	374721034T
PCB1	C5666	UTSP C	CE04W25V-220M(UTSP)	1	397552217T
PCB1	C5667	UTSP C	CE04W25V-220M(UTSP)	1	397552217T
PCB1	C5670	UTSP C	CE04W50V-10M(UTSP)	1	397581007T
PCB1	C5671	UTSP C	CE04W50V-10M(UTSP)	1	397581007T
PCB1	C5672	UTSP C	CE04W25V-220M(UTSP)	1	397552217T
PCB1	C5673	UTSP C	CE04W25V-220M(UTSP)	1	397552217T
PCB1	C5674	UTSP C	CE04W16V-470M(UTSP)	1	397544717T
PCB1	C5675	UTSP C	CE04W16V-470M(UTSP)	1	397544717T
PCB1	C5704	C-CERA C	CC725CH1H-221J1	1	342102214R1
PCB1	C5705	C-CERA C	CC725CH1H-221J1	1	342102214R1
PCB1	C5706	C-CERA C	CC725CH1H-221J1	1	342102214R1
PCB1	C5708	C-CERA C	CK725B1H-222K1	1	332102225R1
PCB1	C6030	TF C	ECQ-V50V-473J	1	374724734T
PCB1	C6031	TF C	ECQ-V50V-473J	1	374724734T
PCB1	C6032	TF C	ECQ-V50V-473J	1	374724734T
PCB1	C6033	TF C	ECQ-V50V-473J	1	374724734T
PCB1	C6034	TF C	ECQ-V50V-473J	1	374724734T
PCB1	C6035	TF C	ECQ-V50V-473J	1	374724734T
PCB1	C6036	TF C	ECQ-V50V-473J	1	374724734T
PCB1	C6040	UTSP C	CE04W50V 47M(UTSP)	1	397584707T
PCB1	C6041	UTSP C	CE04W50V 47M(UTSP)	1	397584707T
PCB1	C6042	UTSP C	CE04W50V 47M(UTSP)	1	397584707T
PCB1	C6043	UTSP C	CE04W50V 47M(UTSP)	1	397584707T
PCB1	C6044	UTSP C	CE04W50V 47M(UTSP)	1	397584707T
PCB1	C6045	UTSP C	CE04W50V 47M(UTSP)	1	397584707T
PCB1	C6046	UTSP C	CE04W50V 47M(UTSP)	1	397584707T
PCB1	C6050	TF C	ECQ-B50V-103J	1	374721034T
PCB1	C6051	TF C	ECQ-B50V-103J	1	374721034T
PCB1	C6052	TF C	ECQ-B50V-103J	1	374721034T
PCB1	C6053	TF C	ECQ-B50V-103J	1	374721034T
PCB1	C6054	TF C	ECQ-B50V-103J	1	374721034T

PCB1	C6055	TF C	ECQ-B50V-103J	1	374721034T
PCB1	C6056	TF C	ECQ-B50V-103J	1	374721034T
PCB1	C6076	TF C	ECQ-B50V-102J	1	374721024T
PCB1	C6077	TF C	ECQ-B50V-102J	1	374721024T
PCB1	C6086	TF C	ECQ-B50V-103J	1	374721034T
PCB1	C6087	TF C	ECQ-B50V-103J	1	374721034T
PCB1	C6701	UTSP C	CE04W25V-100M(UTSP)	1	397551017T
PCB1	C6703	C-CERA C	CK725F1H-104Z1	1	332151040R1
PCB1	C6704	UTSP C	CE04W50V-1M(UTSP)	1	397580107T
PCB1	C6706	UTSP C	CE04W50V-10M(UTSP)	1	397581007T
PCB1	C6901	ELECT C	CE69W63V-8200MB	1	3504420
PCB1	C6901 or	ELECT C	CE69W63V-8200MA	(1)	3504419
PCB1	C6901A	IB CUSHION	W15*3t TAPE	1	28141585
PCB1	C6902	ELECT C	CE69W63V-8200MB	1	3504420
PCB1	C6902 or	ELECT C	CE69W63V-8200MA	(1)	3504419
PCB1	C6902A	IB CUSHION	W15*3t TAPE	1	28141585
PCB1	C6911	C-CERA C	CC725CH1H-102J1	1	342101024R1
PCB1	C6912	TF C	ECQ-V50V-334J	1	374723344T
PCB1	C6913	TF C	ECQ-V50V-334J	1	374723344T
PCB1	C6915	TF C	ECQ-V50V-104J	1	374721044T
PCB1	C6916	TF C	ECQ-V50V-104J	1	374721044T
PCB1	C9001	MMT C	MMT50V-334J	1	375523344T
PCB1	C9003	VR C	CE04W35V-1000M(VR)	1	394661027S
PCB1	C9004	VR C	CE04W35V-1000M(VR)	1	394661027S
PCB1	R5000	CARBON R	R16J-1K	1	417341024T
PCB1	R5001	CARBON R	R16J-1K	1	417341024T
PCB1	R5002	CARBON R	R16J-1K	1	417341024T
PCB1	R5003	CARBON R	R16J-1K	1	417341024T
PCB1	R5004	CARBON R	R16J-1K	1	417341024T
PCB1	R5005	CARBON R	R16J-1K	1	417341024T
PCB1	R5006	CARBON R	R16J-1K	1	417341024T
PCB1	R5010	CARBON R	R16J-56K	1	417345634T
PCB1	R5011	CARBON R	R16J-56K	1	417345634T
PCB1	R5012	CARBON R	R16J-56K	1	417345634T
PCB1	R5013	CARBON R	R16J-56K	1	417345634T
PCB1	R5014	CARBON R	R16J-56K	1	417345634T
PCB1	R5015	CARBON R	R16J-56K	1	417345634T
PCB1	R5016	CARBON R	R16J-56K	1	417345634T
PCB1	R5020	CARBON R	R16J-330	1	417343314T
PCB1	R5021	CARBON R	R16J-330	1	417343314T
PCB1	R5022	CARBON R	R16J-330	1	417343314T
PCB1	R5023	CARBON R	R16J-330	1	417343314T
PCB1	R5024	CARBON R	R16J-330	1	417343314T
PCB1	R5025	CARBON R	R16J-330	1	417343314T
PCB1	R5026	CARBON R	R16J-330	1	417343314T
PCB1	R5030	CARBON R	R16J-120K	1	417341244T
PCB1	R5031	CARBON R	R16J-120K	1	417341244T
PCB1	R5032	CARBON R	R16J-120K	1	417341244T
PCB1	R5033	CARBON R	R16J-120K	1	417341244T
PCB1	R5034	CARBON R	R16J-120K	1	417341244T
PCB1	R5035	CARBON R	R16J-120K	1	417341244T

PCB1	R5036	CARBON R	R16J-120K	1	417341244T
PCB1	R5040	CARBON R	R16J-2.2K	1	417342224T
PCB1	R5041	CARBON R	R16J-2.2K	1	417342224T
PCB1	R5042	CARBON R	R16J-2.2K	1	417342224T
PCB1	R5043	CARBON R	R16J-2.2K	1	417342224T
PCB1	R5044	CARBON R	R16J-2.2K	1	417342224T
PCB1	R5045	CARBON R	R16J-2.2K	1	417342224T
PCB1	R5046	CARBON R	R16J-2.2K	1	417342224T
PCB1	R5050	CARBON R	R16J-4.7K	1	417344724T
PCB1	R5051	CARBON R	R16J-4.7K	1	417344724T
PCB1	R5052	CARBON R	R16J-4.7K	1	417344724T
PCB1	R5053	CARBON R	R16J-4.7K	1	417344724T
PCB1	R5054	CARBON R	R16J-4.7K	1	417344724T
PCB1	R5055	CARBON R	R16J-4.7K	1	417344724T
PCB1	R5056	CARBON R	R16J-4.7K	1	417344724T
PCB1	R5060	CARBON R	R16J-1.2K	1	417341224T
PCB1	R5061	CARBON R	R16J-1.2K	1	417341224T
PCB1	R5062	CARBON R	R16J-1.2K	1	417341224T
PCB1	R5063	CARBON R	R16J-1.2K	1	417341224T
PCB1	R5064	CARBON R	R16J-1.2K	1	417341224T
PCB1	R5065	CARBON R	R16J-1.2K	1	417341224T
PCB1	R5066	CARBON R	R16J-1.2K	1	417341224T
PCB1	R5080	CARBON R	R16J-470	1	417344714T
PCB1	R5081	CARBON R	R16J-470	1	417344714T
PCB1	R5082	CARBON R	R16J-470	1	417344714T
PCB1	R5083	CARBON R	R16J-470	1	417344714T
PCB1	R5084	CARBON R	R16J-470	1	417344714T
PCB1	R5085	CARBON R	R16J-470	1	417344714T
PCB1	R5086	CARBON R	R16J-470	1	417344714T
PCB1	R5090	CARBON R	R16J-100K	1	417341044T
PCB1	R5091	CARBON R	R16J-100K	1	417341044T
PCB1	R5092	CARBON R	R16J-100K	1	417341044T
PCB1	R5093	CARBON R	R16J-100K	1	417341044T
PCB1	R5094	CARBON R	R16J-100K	1	417341044T
PCB1	R5095	CARBON R	R16J-100K	1	417341044T
PCB1	R5096	CARBON R	R16J-100K	1	417341044T
PCB1	R5100	CARBON R	R16J-100K	1	417341044T
PCB1	R5101	CARBON R	R16J-100K	1	417341044T
PCB1	R5102	CARBON R	R16J-100K	1	417341044T
PCB1	R5103	CARBON R	R16J-100K	1	417341044T
PCB1	R5104	CARBON R	R16J-100K	1	417341044T
PCB1	R5105	CARBON R	R16J-100K	1	417341044T
PCB1	R5106	CARBON R	R16J-100K	1	417341044T
PCB1	R5110	CARBON R	R16J-1K	1	417341024T
PCB1	R5111	CARBON R	R16J-1K	1	417341024T
PCB1	R5112	CARBON R	R16J-1K	1	417341024T
PCB1	R5113	CARBON R	R16J-1K	1	417341024T
PCB1	R5114	CARBON R	R16J-1K	1	417341024T
PCB1	R5115	CARBON R	R16J-1K	1	417341024T
PCB1	R5116	CARBON R	R16J-1K	1	417341024T
PCB1	R5130	CARBON R	R16J-18K	1	417341834T

PCB1	R5131	CARBON R	R16J-18K	1	417341834T
PCB1	R5132	CARBON R	R16J-18K	1	417341834T
PCB1	R5133	CARBON R	R16J-22K	1	417342234T
PCB1	R5134	CARBON R	R16J-22K	1	417342234T
PCB1	R5135	CARBON R	R16J-22K	1	417342234T
PCB1	R5136	CARBON R	R16J-22K	1	417342234T
PCB1	R5160	NF CARBON R	R25J-100	1	415471014T
PCB1	R5161	NF CARBON R	R25J-100	1	415471014T
PCB1	R5162	NF CARBON R	R25J-100	1	415471014T
PCB1	R5163	NF CARBON R	R25J-100	1	415471014T
PCB1	R5164	NF CARBON R	R25J-100	1	415471014T
PCB1	R5165	NF CARBON R	R25J-100	1	415471014T
PCB1	R5166	NF CARBON R	R25J-100	1	415471014T
PCB1	R5170	NF CARBON R	R25J-100	1	415471014T
PCB1	R5171	NF CARBON R	R25J-100	1	415471014T
PCB1	R5172	NF CARBON R	R25J-100	1	415471014T
PCB1	R5173	NF CARBON R	R25J-100	1	415471014T
PCB1	R5174	NF CARBON R	R25J-100	1	415471014T
PCB1	R5175	NF CARBON R	R25J-100	1	415471014T
PCB1	R5176	NF CARBON R	R25J-100	1	415471014T
PCB1	R5180	NF CARBON R	R25J-10	1	415471004T
PCB1	R5181	NF CARBON R	R25J-10	1	415471004T
PCB1	R5182	NF CARBON R	R25J-10	1	415471004T
PCB1	R5183	NF CARBON R	R25J-10	1	415471004T
PCB1	R5184	NF CARBON R	R25J-10	1	415471004T
PCB1	R5185	NF CARBON R	R25J-10	1	415471004T
PCB1	R5186	NF CARBON R	R25J-10	1	415471004T
PCB1	R5190	NF CARBON R	R25J-10	1	415471004T
PCB1	R5191	NF CARBON R	R25J-10	1	415471004T
PCB1	R5192	NF CARBON R	R25J-10	1	415471004T
PCB1	R5193	NF CARBON R	R25J-10	1	415471004T
PCB1	R5194	NF CARBON R	R25J-10	1	415471004T
PCB1	R5195	NF CARBON R	R25J-10	1	415471004T
PCB1	R5196	NF CARBON R	R25J-10	1	415471004T
PCB1	R5200	CARBON R	R16J-18K	1	417341834T
PCB1	R5201	CARBON R	R16J-18K	1	417341834T
PCB1	R5202	CARBON R	R16J-18K	1	417341834T
PCB1	R5203	CARBON R	R16J-22K	1	417342234T
PCB1	R5204	CARBON R	R16J-22K	1	417342234T
PCB1	R5205	CARBON R	R16J-22K	1	417342234T
PCB1	R5206	CARBON R	R16J-22K	1	417342234T
PCB1	R5230	CARBON R	R16J-120K	1	417341244T
PCB1	R5231	CARBON R	R16J-120K	1	417341244T
PCB1	R5232	CARBON R	R16J-120K	1	417341244T
PCB1	R5233	CARBON R	R16J-120K	1	417341244T
PCB1	R5234	CARBON R	R16J-120K	1	417341244T
PCB1	R5235	CARBON R	R16J-120K	1	417341244T
PCB1	R5236	CARBON R	R16J-120K	1	417341244T
PCB1	R5500	C-CARBON R	RN72K1J-331JE	1	435033314R1
PCB1	R5503	C-CARBON R	RN72K1J-331JE	1	435033314R1
PCB1	R5504	C-CARBON R	RN72K1J-331JE	1	435033314R1

PCB1	R5505	C-CARBON R	RN72K1J-222JE	1	435032224R1
PCB1	R5506	C-CARBON R	RN72K1J-222JE	1	435032224R1
PCB1	R5507	C-CARBON R	RN72K1J-331JE	1	435033314R1
PCB1	R5508	C-CARBON R	RN72K1J-331JE	1	435033314R1
PCB1	R5513	C-CARBON R	RN72K1J-331JE	1	435033314R1
PCB1	R5514	C-CARBON R	RN72K1J-331JE	1	435033314R1
PCB1	R5515	C-CARBON R	RN72K1J-222JE	1	435032224R1
PCB1	R5516	C-CARBON R	RN72K1J-222JE	1	435032224R1
PCB1	R5517	C-CARBON R	RN72K1J-331JE	1	435033314R1
PCB1	R5518	C-CARBON R	RN72K1J-331JE	1	435033314R1
PCB1	R5519	C-CARBON R	RN72K1J-331JE	1	435033314R1
PCB1	R5520	C-CARBON R	RN72K1J-331JE	1	435033314R1
PCB1	R5521	C-CARBON R	RN72K1J-331JE	1	435033314R1
PCB1	R5522	C-CARBON R	RN72K1J-331JE	1	435033314R1
PCB1	R5523	C-CARBON R	RN72K1J-331JE	1	435033314R1
PCB1	R5524	C-CARBON R	RN72K1J-331JE	1	435033314R1
PCB1	R5525	C-CARBON R	RN72K1J-331JE	1	435033314R1
PCB1	R5526	C-CARBON R	RN72K1J-331JE	1	435033314R1
PCB1	R5531	C-CARBON R	RN72K1J-101JE	1	435031014R1
PCB1	R5541	C-CARBON R	RN72K1J-224JE	1	435032244R1
PCB1	R5542	C-CARBON R	RN72K1J-224JE	1	435032244R1
PCB1	R5543	C-CARBON R	RN72K1J-224JE	1	435032244R1
PCB1	R5544	C-CARBON R	RN72K1J-224JE	1	435032244R1
PCB1	R5545	C-CARBON R	RN72K1J-224JE	1	435032244R1
PCB1	R5546	C-CARBON R	RN72K1J-224JE	1	435032244R1
PCB1	R5547	C-CARBON R	RN72K1J-224JE	1	435032244R1
PCB1	R5548	C-CARBON R	RN72K1J-224JE	1	435032244R1
PCB1	R5553	C-CARBON R	RN72K1J-224JE	1	435032244R1
PCB1	R5554	C-CARBON R	RN72K1J-224JE	1	435032244R1
PCB1	R5555	C-CARBON R	RN72K1J-224JE	1	435032244R1
PCB1	R5556	C-CARBON R	RN72K1J-224JE	1	435032244R1
PCB1	R5557	C-CARBON R	RN72K1J-224JE	1	435032244R1
PCB1	R5558	C-CARBON R	RN72K1J-224JE	1	435032244R1
PCB1	R5559	C-CARBON R	RN72K1J-224JE	1	435032244R1
PCB1	R5560	C-CARBON R	RN72K1J-224JE	1	435032244R1
PCB1	R5561	C-CARBON R	RN72K1J-224JE	1	435032244R1
PCB1	R5562	C-CARBON R	RN72K1J-224JE	1	435032244R1
PCB1	R5563	C-CARBON R	RN72K1J-224JE	1	435032244R1
PCB1	R5564	C-CARBON R	RN72K1J-224JE	1	435032244R1
PCB1	R5565	C-CARBON R	RN72K1J-224JE	1	435032244R1
PCB1	R5566	C-CARBON R	RN72K1J-224JE	1	435032244R1
PCB1	R5575	C-CARBON R	RN72K1J-224JE	1	435032244R1
PCB1	R5576	C-CARBON R	RN72K1J-224JE	1	435032244R1
PCB1	R5577	C-CARBON R	RN72K1J-473JE	1	435034734R1
PCB1	R5578	C-CARBON R	RN72K1J-473JE	1	435034734R1
PCB1	R5579	C-CARBON R	RN72K1J-224JE	1	435032244R1
PCB1	R5585	C-CARBON R	RN72K1J-182JE	1	435031824R1
PCB1	R5586	C-CARBON R	RN72K1J-182JE	1	435031824R1
PCB1	R5587	C-CARBON R	RN72K1J-103JE	1	435031034R1
PCB1	R5588	C-CARBON R	RN72K1J-103JE	1	435031034R1
PCB1	R5589	CARBON R	R16J-1K	1	417341024T

PCB1	R5590	C-CARBON R	RN72K1J-103JE	1	435031034R1
PCB1	R5591	C-CARBON R	RN72K1J-103JE	1	435031034R1
PCB1	R5592	C-CARBON R	RN72K1J-471JE	1	435034714R1
PCB1	R5593	C-CARBON R	RN72K1J-122JE	1	435031224R1
PCB1	R5594	C-CARBON R	RN72K1J-103JE	1	435031034R1
PCB1	R5595	C-CARBON R	RN72K1J-103JE	1	435031034R1
PCB1	R5596	C-CARBON R	RN72K1J-471JE	1	435034714R1
PCB1	R5597	C-CARBON R	RN72K1J-122JE	1	435031224R1
PCB1	R5598	C-CARBON R	RN72K1J-103JE	1	435031034R1
PCB1	R5599	C-CARBON R	RN72K1J-103JE	1	435031034R1
PCB1	R5600	C-CARBON R	RN72K1J-224JE	1	435032244R1
PCB1	R5601	C-CARBON R	RN72K1J-224JE	1	435032244R1
PCB1	R5602	C-CARBON R	RN72K1J-224JE	1	435032244R1
PCB1	R5603	C-CARBON R	RN72K1J-224JE	1	435032244R1
PCB1	R5604	C-CARBON R	RN72K1J-224JE	1	435032244R1
PCB1	R5605	C-CARBON R	RN72K1J-224JE	1	435032244R1
PCB1	R5606	C-CARBON R	RN72K1J-224JE	1	435032244R1
PCB1	R5607	C-CARBON R	RN72K1J-224JE	1	435032244R1
PCB1	R5610	C-CARBON R	RN72K1J-271JE	1	435032714R1
PCB1	R5611	C-CARBON R	RN72K1J-222JE	1	435032224R1
PCB1	R5612	C-CARBON R	RN72K1J-222JE	1	435032224R1
PCB1	R5613	C-CARBON R	RN72K1J-222JE	1	435032224R1
PCB1	R5614	C-CARBON R	RN72K1J-222JE	1	435032224R1
PCB1	R5615	C-CARBON R	RN72K1J-222JE	1	435032224R1
PCB1	R5616	C-CARBON R	RN72K1J-222JE	1	435032224R1
PCB1	R5617	C-CARBON R	RN72K1J-222JE	1	435032224R1
PCB1	R5620	C-CARBON R	RN72K1J-101JE	1	435031014R1
PCB1	R5621	C-CARBON R	RN72K1J-000JE	1	435030004R1
PCB1	R5622	C-CARBON R	RN72K1J-000JE	1	435030004R1
PCB1	R5623	C-CARBON R	RN72K1J-000JE	1	435030004R1
PCB1	R5624	C-CARBON R	RN72K1J-000JE	1	435030004R1
PCB1	R5625	C-CARBON R	RN72K1J-000JE	1	435030004R1
PCB1	R5626	C-CARBON R	RN72K1J-000JE	1	435030004R1
PCB1	R5627	C-CARBON R	RN72K1J-000JE	1	435030004R1
PCB1	R5630	C-CARBON R	RN72K1J-221JE	1	435032214R1
PCB1	R5631	C-CARBON R	RN72K1J-473JE	1	435034734R1
PCB1	R5632	C-CARBON R	RN72K1J-153JE	1	435031534R1
PCB1	R5633	C-CARBON R	RN72K1J-122JE	1	435031224R1
PCB1	R5634	C-CARBON R	RN72K1J-103JE	1	435031034R1
PCB1	R5660	METAL R	RNU1WCJ-2.2	1	453630224T
PCB1	R5661	METAL R	RNU1WCJ-2.2	1	453630224T
PCB1	R5666	CARBON R	R16J-22	1	417342204T
PCB1	R5667	CARBON R	R16J-22	1	417342204T
PCB1	R5670	METAL O R	RS2WBJ-47	1	441724704F
PCB1	R5671	METAL O R	RS2WBJ-68	1	441726804F
PCB1	R5672	METAL O R	RS2WBJ-47	1	441724704F
PCB1	R5673	METAL O R	RS2WBJ-68	1	441726804F
PCB1	R5674	METAL O R	RS1WBJ-82	1	443628204T
PCB1	R5675	METAL O R	RS1WBJ-82	1	443628204T
PCB1	R5681	C-CARBON R	RN72K1J-224JE	1	435032244R1
PCB1	R5814	C-CARBON R	RN72K1J-000JE	1	435030004R1

PCB1	R5820	C-CARBON R	RN72K1J-000JE	1	435030004R1
PCB1	R5822	C-CARBON R	RN72K1J-000JE	1	435030004R1
PCB1	R5823	C-CARBON R	RN72K1J-000JE	1	435030004R1
PCB1	R6000	CARBON R	R16J-5.6K	1	417345624T
PCB1	R6001	CARBON R	R16J-5.6K	1	417345624T
PCB1	R6002	CARBON R	R16J-5.6K	1	417345624T
PCB1	R6003	CARBON R	R16J-5.6K	1	417345624T
PCB1	R6004	CARBON R	R16J-5.6K	1	417345624T
PCB1	R6005	CARBON R	R16J-5.6K	1	417345624T
PCB1	R6006	CARBON R	R16J-5.6K	1	417345624T
PCB1	R6010	CARBON R	R16J-3.9K	1	417343924T
PCB1	R6011	CARBON R	R16J-3.9K	1	417343924T
PCB1	R6012	CARBON R	R16J-3.9K	1	417343924T
PCB1	R6013	CARBON R	R16J-3.9K	1	417343924T
PCB1	R6014	CARBON R	R16J-3.9K	1	417343924T
PCB1	R6015	CARBON R	R16J-3.9K	1	417343924T
PCB1	R6016	CARBON R	R16J-3.9K	1	417343924T
PCB1	R6020	NF CARBON R	R25J-2.2	1	415470224T
PCB1	R6021	NF CARBON R	R25J-2.2	1	415470224T
PCB1	R6022	NF CARBON R	R25J-2.2	1	415470224T
PCB1	R6023	NF CARBON R	R25J-2.2	1	415470224T
PCB1	R6024	NF CARBON R	R25J-2.2	1	415470224T
PCB1	R6025	NF CARBON R	R25J-2.2	1	415470224T
PCB1	R6026	NF CARBON R	R25J-2.2	1	415470224T
PCB1	R6030	CARBON R	R16J-470	1	417344714T
PCB1	R6031	CARBON R	R16J-470	1	417344714T
PCB1	R6032	CARBON R	R16J-470	1	417344714T
PCB1	R6033	CARBON R	R16J-470	1	417344714T
PCB1	R6034	CARBON R	R16J-470	1	417344714T
PCB1	R6035	CARBON R	R16J-470	1	417344714T
PCB1	R6036	CARBON R	R16J-470	1	417344714T
PCB1	R6040	TRIM R	N06HR2KBC	1	5210390T
PCB1	R6041	TRIM R	N06HR2KBC	1	5210390T
PCB1	R6042	TRIM R	N06HR2KBC	1	5210390T
PCB1	R6043	TRIM R	N06HR2KBC	1	5210390T
PCB1	R6044	TRIM R	N06HR2KBC	1	5210390T
PCB1	R6045	TRIM R	N06HR2KBC	1	5210390T
PCB1	R6046	TRIM R	N06HR2KBC	1	5210390T
PCB1	R6050	CARBON R	R16J-3.3K	1	417343324T
PCB1	R6051	CARBON R	R16J-3.3K	1	417343324T
PCB1	R6052	CARBON R	R16J-3.3K	1	417343324T
PCB1	R6053	CARBON R	R16J-3.3K	1	417343324T
PCB1	R6054	CARBON R	R16J-3.3K	1	417343324T
PCB1	R6055	CARBON R	R16J-3.3K	1	417343324T
PCB1	R6056	CARBON R	R16J-3.3K	1	417343324T
PCB1	R6070	NF CARBON R	R25J-82	1	415478204T
PCB1	R6071	NF CARBON R	R25J-82	1	415478204T
PCB1	R6072	NF CARBON R	R25J-82	1	415478204T
PCB1	R6073	NF CARBON R	R25J-100	1	415471014T
PCB1	R6074	NF CARBON R	R25J-100	1	415471014T
PCB1	R6075	NF CARBON R	R25J-100	1	415471014T

PCB1	R6076	NF CARBON R	R25J-100	1	415471014T
PCB1	R6080	NF CARBON R	R25J-0.22	1	415472294T
PCB1	R6081	NF CARBON R	R25J-0.22	1	415472294T
PCB1	R6082	NF CARBON R	R25J-0.22	1	415472294T
PCB1	R6083	NF CARBON R	R25J-0.22	1	415472294T
PCB1	R6084	NF CARBON R	R25J-0.22	1	415472294T
PCB1	R6085	NF CARBON R	R25J-0.22	1	415472294T
PCB1	R6086	NF CARBON R	R25J-0.22	1	415472294T
PCB1	R6090	NF CARBON R	R25J-0.22	1	415472294T
PCB1	R6091	NF CARBON R	R25J-0.22	1	415472294T
PCB1	R6092	NF CARBON R	R25J-0.22	1	415472294T
PCB1	R6093	NF CARBON R	R25J-0.22	1	415472294T
PCB1	R6094	NF CARBON R	R25J-0.22	1	415472294T
PCB1	R6095	NF CARBON R	R25J-0.22	1	415472294T
PCB1	R6096	NF CARBON R	R25J-0.22	1	415472294T
PCB1	R6100	METAL PR	MPR2W+2W 0R22	1	4000234
PCB1	R6100 or	OTHER R	RGC22-0.22 OHMK	(1)	4000131
PCB1	R6100 or	METAL PR	MPC708-2WK-0.22	(1)	4500027
PCB1	R6101	METAL PR	MPR2W+2W 0R22	1	4000234
PCB1	R6101 or	OTHER R	RGC22-0.22 OHMK	(1)	4000131
PCB1	R6101 or	METAL PR	MPC708-2WK-0.22	(1)	4500027
PCB1	R6102	METAL PR	MPR2W+2W 0R22	1	4000234
PCB1	R6102 or	OTHER R	RGC22-0.22 OHMK	(1)	4000131
PCB1	R6102 or	METAL PR	MPC708-2WK-0.22	(1)	4500027
PCB1	R6103	METAL PR	MPR2W+2W 0R22	1	4000234
PCB1	R6103 or	OTHER R	RGC22-0.22 OHMK	(1)	4000131
PCB1	R6103 or	METAL PR	MPC708-2WK-0.22	(1)	4500027
PCB1	R6104	METAL PR	MPR2W+2W 0R22	1	4000234
PCB1	R6104 or	OTHER R	RGC22-0.22 OHMK	(1)	4000131
PCB1	R6104 or	METAL PR	MPC708-2WK-0.22	(1)	4500027
PCB1	R6105	METAL PR	MPR2W+2W 0R22	1	4000234
PCB1	R6105 or	OTHER R	RGC22-0.22 OHMK	(1)	4000131
PCB1	R6105 or	METAL PR	MPC708-2WK-0.22	(1)	4500027
PCB1	R6106	METAL PR	MPR2W+2W 0R22	1	4000234
PCB1	R6106 or	OTHER R	RGC22-0.22 OHMK	(1)	4000131
PCB1	R6106 or	METAL PR	MPC708-2WK-0.22	(1)	4500027
PCB1	R6130	METAL R	RNU1WCJ-8.2	1	453630824T
PCB1	R6131	METAL R	RNU1WCJ-8.2	1	453630824T
PCB1	R6132	METAL R	RNU1WCJ-8.2	1	453630824T
PCB1	R6133	METAL R	RNU1WCJ-8.2	1	453630824T
PCB1	R6134	METAL R	RNU1WCJ-8.2	1	453630824T
PCB1	R6135	METAL R	RNU1WCJ-8.2	1	453630824T
PCB1	R6136	METAL R	RNU1WCJ-8.2	1	453630824T
PCB1	R6140	C-CARBON R	RN72K1J-223JE	1	435032234R1
PCB1	R6141	C-CARBON R	RN72K1J-223JE	1	435032234R1
PCB1	R6142	C-CARBON R	RN72K1J-223JE	1	435032234R1
PCB1	R6143	C-CARBON R	RN72K1J-223JE	1	435032234R1
PCB1	R6144	C-CARBON R	RN72K1J-223JE	1	435032234R1
PCB1	R6145	C-CARBON R	RN72K1J-223JE	1	435032234R1
PCB1	R6146	C-CARBON R	RN72K1J-223JE	1	435032234R1
PCB1	R6150	C-CARBON R	RN72K1J-123JE	1	435031234R1

PCB1	R6151	C-CARBON R	RN72K1J-123JE	1	435031234R1	
PCB1	R6152	C-CARBON R	RN72K1J-123JE	1	435031234R1	
PCB1	R6153	C-CARBON R	RN72K1J-123JE	1	435031234R1	
PCB1	R6154	C-CARBON R	RN72K1J-123JE	1	435031234R1	
PCB1	R6155	C-CARBON R	RN72K1J-123JE	1	435031234R1	
PCB1	R6156	C-CARBON R	RN72K1J-123JE	1	435031234R1	
PCB1	R6160	CARBON R	R16J-33K	1	417343334T	
PCB1	R6161	CARBON R	R16J-33K	1	417343334T	
PCB1	R6162	CARBON R	R16J-33K	1	417343334T	
PCB1	R6163	CARBON R	R16J-33K	1	417343334T	
PCB1	R6164	CARBON R	R16J-33K	1	417343334T	
PCB1	R6165	CARBON R	R16J-33K	1	417343334T	
PCB1	R6166	CARBON R	R16J-33K	1	417343334T	
PCB1	R6170	CARBON R	R16J-47K	1	417344734T	
PCB1	R6171	CARBON R	R16J-47K	1	417344734T	
PCB1	R6172	CARBON R	R16J-47K	1	417344734T	
PCB1	R6173	CARBON R	R16J-47K	1	417344734T	
PCB1	R6174	CARBON R	R16J-47K	1	417344734T	
PCB1	R6175	CARBON R	R16J-47K	1	417344734T	
PCB1	R6176	CARBON R	R16J-47K	1	417344734T	
PCB1	R6180	CARBON R	R16J-47K	1	417344734T	
PCB1	R6181	CARBON R	R16J-47K	1	417344734T	
PCB1	R6182	CARBON R	R16J-47K	1	417344734T	
PCB1	R6183	CARBON R	R16J-47K	1	417344734T	
PCB1	R6184	CARBON R	R16J-47K	1	417344734T	
PCB1	R6185	CARBON R	R16J-47K	1	417344734T	
PCB1	R6186	CARBON R	R16J-47K	1	417344734T	
PCB1	R6190	C-CARBON R	RN72K1J-224JE	1	435032244R1	
PCB1	R6191	C-CARBON R	RN72K1J-224JE	1	435032244R1	
PCB1	R6192	C-CARBON R	RN72K1J-224JE	1	435032244R1	
PCB1	R6193	C-CARBON R	RN72K1J-224JE	1	435032244R1	
PCB1	R6194	C-CARBON R	RN72K1J-224JE	1	435032244R1	
PCB1	R6195	C-CARBON R	RN72K1J-224JE	1	435032244R1	
PCB1	R6196	C-CARBON R	RN72K1J-224JE	1	435032244R1	
PCB1	R6197	METAL R	RNU1WCJ-8.2	1	453630824T	
PCB1	R6701	C-CARBON R	RN72K1J-223JE	1	435032234R1	
PCB1	R6702	C-CARBON R	RN72K1J-103JE	1	435031034R1	
PCB1	R6704	C-CARBON R	RN72K1J-473JE	1	435034734R1	
PCB1	R6706	C-CARBON R	RN72K1J-224JE	1	435032244R1	
PCB1	R6708	C-CARBON R	RN72K1J-333JE	1	435033334R1	
PCB1	R6709	C-CARBON R	RN72K1J-562JE	1	435035624R1	
PCB1	R6710	C-CARBON R	RN72K1J-333JE	1	435033334R1	
PCB1	R6902	C-CARBON R	RN72K1J-102JE	1	435031024R1	
PCB1	R6903	C-CARBON R	RN72K1J-473JE	1	435034734R1	
PCB1	RL6901	RELAY	NRL-1P10A-DC12-140	1	25065584	!
PCB1	RL6901 or	RELAY	NRL-1P10A-DC12-143	(1)	25065588	!
PCB1	RL6902	RELAY	NRL-1P10A-DC12-140	1	25065584	!
PCB1	RL6902 or	RELAY	NRL-1P10A-DC12-143	(1)	25065588	!
PCB1	P302	PLUG	NPLG-14P0969	1	25056019	
PCB1	P303	PLUG	NPLG-14P0969	1	25056019	
PCB1	P304	PLUG	NPLG-3P0958	1	25056008	

PCB1	P5505	TRM(SCREW)	NEJITANSI M3	1	25065425	
PCB1	P6002	TRM	NTM-4PDML365	1	25060436	
PCB1	P6080	PLUG	NPLG-2P29	1	25055038	
PCB1	P6081	PLUG	NPLG-2P29	1	25055038	
PCB1	P6082	PLUG	NPLG-2P29	1	25055038	
PCB1	P6083	PLUG	NPLG-2P29	1	25055038	
PCB1	P6084	PLUG	NPLG-2P29	1	25055038	
PCB1	P6085	PLUG	NPLG-2P29	1	25055038	
PCB1	P6086	PLUG	NPLG-2P29	1	25055038	
PCB1	P6900	CRIMP AS	CRIMP AS	1	20799162UL	
PCB1	P6901	CRIMP AS	CRIMP AS	1	2069925226UL	
PCB1	P6902	CRIMP AS	CRIMP AS	1	2069925189UL	
PCB1	P6903	CRIMP AS	CRIMP AS	1	20799163UL	
PCB1	P6904	CRIMP AS	CRIMP AS	1	20799164UL	
PCB1	P6911	RETAINER	(BUS)	1	27142022	
PCB1	P7900	ST JACK	LGY2502-0200FC	1	25045696	
PCB1	P7902	PIN JACK	NPJ-6PDWWRRR561	1	25045779	
PCB1	P7902 or	PIN JACK	NPJ-6PDBL159	(1)	25045300	
PCB1	P7904	PIN JACK	NPJ-6PDWWRRR561	1	25045779	
PCB1	P7904 or	PIN JACK	NPJ-6PDBL159	(1)	25045300	
PCB1	P7905	PIN JACK	NPJ-4PDWLRE642	1	25045866	
PCB1	P7906	PIN JACK	NPJ-4PDGNPT643	1	25045867	
PCB1	P7908	PIN JACK	NPJ-1PDP555	1	25045773	
PCB1	F6901A	FUSE HOL	NSCT-1P2031	1	25052133T	!
PCB1	F6901B	FUSE HOL	NSCT-1P2031	1	25052133T	!
PCB1	F6902A	FUSE HOL	NSCT-1P2031	1	25052133T	!
PCB1	F6902B	FUSE HOL	NSCT-1P2031	1	25052133T	!
PCB1	J5500	PVC	1007#24 .2/7HAND B	1	---	NSP
PCB1	J5500 or	PVC	1007#24 .2/7HAND R	(1)	---	NSP
PCB1	JL6402	JUMPER LEAD	JL3 300 B	1	---	NSP
PCB1	JL6402A	WIRE HOL	NSCT-3P874	1	25051087	
PCB1	JL6600	JUMPER LEAD	JL7 200 H	1	---	NSP
PCB1	JL6600A	WIRE HOL	NSCT-7P898	1	25051111	
PCB1	JL6603	JUMPER LEAD	JL9 200 H	1	---	NSP
PCB1	JL6603A	WIRE HOL	NSCT-9P900	1	25051113	
PCB1	JL6604	JUMPER LEAD	JL4 200 H	1	---	NSP
PCB1	JL6604A	WIRE HOL	NSCT-4P895	1	25051108	
PCB1	JL6952	JUMPER LEAD	JL4 150 H	1	---	NSP
PCB1	JL6952A	WIRE HOL	NSCT-4P895	1	25051108	
PCB1	JL6952B	WIRE HOL	NSCT-4P895	1	25051108	
PCB1	A045a	SPACER	SPACER 8 x 3 x 0.188	2	27270147	
PCB2	U05	DISPLAY PC BOARD (NADIS-9148-1A / 1B / 1C / 1D)				
PCB2	U06	SWITCH PC BOARD (NADIS-9149-1A / 1B / 1C / 1D)				
PCB2	U07	POWER SUPPLY PC BOARD (NAPS-9150-1A / 1B / 1C / 1D)				
PCB2	U08	TRANS. SEC. TERMINAL PC BOARD (NAPS-9151-1A / 1B / 1C / 1D)				
PCB2	U09	HEADPHONE JACK PC BOARD (NAETC-9153-1A / 1B / 1C / 1D)				
PCB2	U10	SWITCH PC BOARD (NASW-9157-1C)				
PCB2	<Note>					
PCB2	U10 : <MWO>, <MWT> Only.					
PCB2	CIRCUIT NO. PART NAME	DESCRIPTION	Q'TY	PART NO. (SN)	REMARKS	

PCB2	U7041	REMO SENS	NJL34H380A	1	241365	
PCB2	Q930	IC	SI-3010KF	1	22242203	<MWO, MWT>
PCB2	Q7001	FL TUBE	16-BT-138GNK	1	212268	
PCB2	Q7001A	HOLDER	(FL)	1	27191222C	
PCB2	Q7003	IC	M66005-0001AHP	1	22242208R3	
PCB2	Q7004	TR	2SC2458-GR	1	2212115T	
PCB2	Q7004 or	TR	2SC1740S-R	(1)	2213284T	
PCB2	Q7004 or	TR	2SC1740S-S	(1)	2213285T	
PCB2	Q7005	TR	KRA102M	1	2215770T	
PCB2	Q7005 or	TR	DTA114ES	(1)	2213510T	
PCB2	Q7007	TR	KRC102M	1	2215960T	
PCB2	Q7007 or	TR	DTC114ES	(1)	2213290T	
PCB2	Q7151	TR	KRA102M	1	2215770T	<MGK>
PCB2	Q7151 or	TR	DTA114ES	(1)	2213510T	<MGK>
PCB2	Q7151	TR	KRA102M	1	2215770T	<MGQ, MPP>
PCB2	Q7151 or	TR	DTA114ES	(1)	2213510T	<MGQ, MPP>
PCB2	Q7151	TR	KRA102M	1	2215770T	<MWO, MWT>
PCB2	Q7151 or	TR	DTA114ES	(1)	2213510T	<MWO, MWT>
PCB2	Q7401	IC	NJM4580D-D	1	22241112	
PCB2	Q7403	TR	KRC111M	1	2216320T	
PCB2	Q7403 or	TR	DTC114TS	(1)	221299T	
PCB2	Q7404	TR	KRC111M	1	2216320T	
PCB2	Q7404 or	TR	DTC114TS	(1)	221299T	
PCB2	D911	DIODE	ISS133	1	223163T	
PCB2	D912	DIODE	ISS133	1	223163T	
PCB2	D921	DIODE	ISS133	1	223163T	
PCB2	D922	DIODE	ISS133	1	223163T	
PCB2	D923	DIODE	ISS133	1	223163T	
PCB2	D924	DIODE	ISS133	1	223163T	
PCB2	D925	DIODE	ISS133	1	223163T	
PCB2	D930	DIODE	ISS133	1	223163T	
PCB2	D931	DIODE	ISS133	1	223163T	
PCB2	D933	DIODE	ISS133	1	223163T	
PCB2	D934	ZENER D	MTZJ5.1B	1	224470512T	
PCB2	D935	DIODE	ISS133	1	223163T	
PCB2	D7002	ZENER D	MTZJ8.2C	1	224470823T	
PCB2	D7151	LED	SLI-343URC-TE7	1	225449T	
PCB2	D7153	LED	SDPB3DD0C	1	225464	<MGQ, MPP>
PCB2	D7153	LED	SDPB3DD0C	1	225464	<MWO, MWT>
PCB2	D7153	LED	SDPB3DD0C	1	225464	<MGK>
PCB2	D7401	ZENER D	MTZJ5.1B	1	224470512T	
PCB2	D7411	ZENER D	MTZJ6.8C	1	224470683T	
PCB2	D7411 or	ZENER D	DZ-6.8BSC	(1)	224850683T	
PCB2	D7412	ZENER D	MTZJ6.8C	1	224470683T	
PCB2	D7412 or	ZENER D	DZ-6.8BSC	(1)	224850683T	
PCB2	T902	P TRANS	NPT-1520JQ	1	2301812	!, <MDD, MDC>
PCB2	T902	P TRANS	NPT-1520GQ	1	2301813	!, <MGQ, MPP>
PCB2	T902	P TRANS	NPT-1520JQ	1	2301812	!, <MWO, MWT>
PCB2	T902	P TRANS	NPT-1520GQ	1	2301813	!, <MGK>
PCB2	L7031	CHOKE COIL	NCH-1561 022K	1	233526K022T	
PCB2	L7201	CHOKE COIL	NCH-1561 022K	1	233526K022T	

PCB2	L7202	CHOKE COIL	NCH-1561 022K	1	233526K022T	
PCB2	L7203	CHOKE COIL	NCH-1561 022K	1	233526K022T	
PCB2	L7401	CHOKE COIL	NCH-1561 022K	1	233526K022T	
PCB2	L7402	CHOKE COIL	NCH-1561 022K	1	233526K022T	
PCB2	C901	IS C	ECQU2A103MLC	1	3800039S	!
PCB2	C901 or	IS C	RE275V-103M	(1)	3500196S	!
PCB2	C901 or	IS C	LE103-C3.5	(1)	3800042S	!
PCB2	C902	TF C	ECQ-V50V-104J	1	374721044T	
PCB2	C911	TF C	ECQ-B50V-102J	1	374721024T	
PCB2	C921	CERA C	CK45F50V-223Z	1	335622230T	
PCB2	C922	VR C	CE04W25V-2200M(VR)	1	394652227S	<MDD, MDC>
PCB2	C922	VR C	CE04W16V-2200M(VR)	1	394642227S	<MGQ, MPP>
PCB2	C922	VR C	CE04W35V-2200M(VR)	1	394662227S	<MWO, MWT>
PCB2	C922	VR C	CE04W16V-2200M(VR)	1	394642227S	<MGK>
PCB2	C930	UTSP C	CE04W50V-100M(UTSP)	1	397581017T	
PCB2	C931	UTSP C	CE04W50V-10M(UTSP)	1	397581007T	<MWO, MWT>
PCB2	C932	VR C	CE04W16V-100M(VR)	1	394641017T	<MWO, MWT>
PCB2	C933	UTSP C	CE04W50V-4.7M(UTSP)	1	397580477T	
PCB2	C7001	CERA C	CK45F50V-223Z	1	335622230T	
PCB2	C7002	MMT C	MMT50V-104J	1	375521044T	
PCB2	C7003	CERA C	CC45SL50V-101J	1	345021014T	
PCB2	C7004	CERA C	CC45SL50V-101J	1	345021014T	
PCB2	C7005	CERA C	CC45SL50V-101J	1	345021014T	
PCB2	C7007	CERA C	CC45SL50V-101J	1	345021014T	
PCB2	C7008	UTSP C	CE04W10V-100M(UTSP)	1	397531017T	
PCB2	C7009	MMT C	MMT50V-104J	1	375521044T	
PCB2	C7010	CERA C	CK45F50V-223Z	1	335622230T	
PCB2	C7011	CERA C	CK45F50V-223Z	1	335622230T	
PCB2	C7012	CERA C	CK45F50V-223Z	1	335622230T	
PCB2	C7013	VR C	CE04W50V-33M(VR)	1	394683307T	
PCB2	C7014	CERA C	CK45F50V-223Z	1	335622230T	
PCB2	C7015	ELECT C	CE04W16V-47M(S)	1	353744709T	
PCB2	C7016	CERA C	CK45F50V-223Z	1	335622230T	
PCB2	C7017	CERA C	CK45F50V-223Z	1	335622230T	
PCB2	C7021	CERA C	CK45F50V-103Z	1	335621030T	
PCB2	C7022	CERA C	CK45F50V-103Z	1	335621030T	
PCB2	C7031	CERA C	CK45F50V-223Z	1	335622230T	
PCB2	C7032	CERA C	CK45F50V-223Z	1	335622230T	
PCB2	C7041	ELECT C	CE04W6.3V-100M(S)	1	353721019T	
PCB2	C7043	CERA C	CK45B50V-102K	1	335321025T	
PCB2	C7201	TF C	ECQ-B50V-472J	1	374724724T	
PCB2	C7202	TF C	ECQ-B50V-223J	1	374722234T	
PCB2	C7203	TF C	ECQ-B50V-102J	1	374721024T	
PCB2	C7204	TF C	ECQ-B50V-102J	1	374721024T	
PCB2	C7301	TF C	ECQ-B50V-471J	1	374724714T	
PCB2	C7302	TF C	ECQ-B50V-102J	1	374721024T	
PCB2	C7303	MMT C	MMT50V-104J	1	375521044T	
PCB2	C7304	MMT C	MMT50V-104J	1	375521044T	
PCB2	C7305	MMT C	MMT50V-104J	1	375521044T	
PCB2	C7401	UTSP C	CE04W50V-10M(UTSP)	1	397581007T	
PCB2	C7402	CERA C	CC45SL50V-101J	1	345021014T	

PCB2	C7403	UTSP C	CE04W50V 47M(UTSP)	1	397584707T	
PCB2	C7404	CERA C	CC45SL50V-330J	1	345023304T	
PCB2	C7405	ELECT C	CE04W16V-10M(S)	1	353741009T	
PCB2	C7411	UTSP C	CE04W50V 47M(UTSP)	1	397584707T	
PCB2	C7412	UTSP C	CE04W50V 47M(UTSP)	1	397584707T	
PCB2	C7421	CERA C	CC45SL50V-102J	1	345021024T	
PCB2	C9101	MMT C	MMT50V-104J	1	375521044T	
PCB2	R921	METAL O R	RS1/2WBJ-56	1	443525604T	<MDD, MDC>
PCB2	R921	METAL O R	RS1/2WBJ-56	1	443525604T	<MGQ, MPP>
PCB2	R921	METAL O R	RS1/2WBJ-56	1	443525604T	<MGK>
PCB2	R930	CARBON R	R16J-100K	1	417341044T	<MWO, MWT>
PCB2	R931	CARBON R	R16J-100K	1	417341044T	<MWO, MWT>
PCB2	R932	CARBON R	R16J-82K	1	417348234T	<MWO, MWT>
PCB2	R933	CARBON R	R16J-10K	1	417341034T	<MWO, MWT>
PCB2	R934	CARBON R	R16J-100K	1	417341044T	
PCB2	R7001	CARBON R	R16J-100K	1	417341044T	
PCB2	R7002	CARBON R	R16J-3.3K	1	417343324T	
PCB2	R7003	CARBON R	R16J-3.3K	1	417343324T	
PCB2	R7004	CARBON R	R16J-220	1	417342214T	
PCB2	R7005	CARBON R	R16J-220	1	417342214T	
PCB2	R7006	CARBON R	R16J-27K	1	417342734T	
PCB2	R7007	CARBON R	R16J-220	1	417342214T	
PCB2	R7008	CARBON R	R16J-220	1	417342214T	
PCB2	R7021	CARBON R	R16J-10K	1	417341034T	
PCB2	R7022	CARBON R	R16J-10K	1	417341034T	
PCB2	R7023	CARBON R	R16J-10K	1	417341034T	
PCB2	R7024	CARBON R	R16J-10K	1	417341034T	
PCB2	R7041	CARBON R	R16J-100	1	417341014T	
PCB2	R7042	CARBON R	R16J-1K	1	417341024T	
PCB2	R7101	CARBON R	R16J-330	1	417343314T	
PCB2	R7102	CARBON R	R16J-470	1	417344714T	
PCB2	R7103	CARBON R	R16J-560	1	417345614T	
PCB2	R7104	CARBON R	R16J-820	1	417348214T	
PCB2	R7105	CARBON R	R16J-1.2K	1	417341224T	
PCB2	R7107	CARBON R	R16J-330	1	417343314T	
PCB2	R7108	CARBON R	R16J-470	1	417344714T	
PCB2	R7109	CARBON R	R16J-560	1	417345614T	
PCB2	R7110	CARBON R	R16J-820	1	417348214T	
PCB2	R7111	CARBON R	R16J-1.2K	1	417341224T	
PCB2	R7112	CARBON R	R16J-2.2K	1	417342224T	
PCB2	R7113	CARBON R	R16J-3.9K	1	417343924T	
PCB2	R7114	CARBON R	R16J-12K	1	417341234T	
PCB2	R7115	CARBON R	R16J-330	1	417343314T	
PCB2	R7116	CARBON R	R16J-470	1	417344714T	
PCB2	R7117	CARBON R	R16J-560	1	417345614T	
PCB2	R7118	CARBON R	R16J-820	1	417348214T	
PCB2	R7119	CARBON R	R16J-1.2K	1	417341224T	
PCB2	R7120	CARBON R	R16J-2.2K	1	417342224T	
PCB2	R7121	CARBON R	R16J-3.9K	1	417343924T	
PCB2	R7122	CARBON R	R16J-12K	1	417341234T	
PCB2	R7123	CARBON R	R16J-330	1	417343314T	

PCB2	R7124	CARBON R	R16J-470	1	417344714T	
PCB2	R7125	CARBON R	R16J-560	1	417345614T	
PCB2	R7126	CARBON R	R16J-820	1	417348214T	
PCB2	R7127	CARBON R	R16J-1.2K	1	417341224T	
PCB2	R7128	CARBON R	R16J-2.2K	1	417342224T	
PCB2	R7129	CARBON R	R16J-3.9K	1	417343924T	
PCB2	R7130	CARBON R	R16J-12K	1	417341234T	
PCB2	R7151	CARBON R	R16J-2.2K	1	417342224T	
PCB2	R7152	CARBON R	R16J-120	1	417341214T	<MGQ, MPP>
PCB2	R7152	CARBON R	R16J-120	1	417341214T	<MWO, MWT>
PCB2	R7152	CARBON R	R16J-120	1	417341214T	<MGK>
PCB2	R7301	CARBON R	R16J-330	1	417343314T	
PCB2	R7302	CARBON R	R16J-330	1	417343314T	
PCB2	R7303	CARBON R	R16J-75	1	417347504T	
PCB2	R7401	CARBON R	R16J-100	1	417341014T	
PCB2	R7402	CARBON R	R16J-47K	1	417344734T	
PCB2	R7403	CARBON R	R16J-4.7K	1	417344724T	
PCB2	R7404	CARBON R	R16J-220	1	417342214T	
PCB2	R7405	CARBON R	R16J-47K	1	417344734T	
PCB2	R7406	CARBON R	R16J-330	1	417343314T	
PCB2	R7407	CARBON R	R16J-1K	1	417341024T	
PCB2	R7408	CARBON R	R16J-33K	1	417343334T	
PCB2	R7409	CARBON R	R16J-220	1	417342214T	
PCB2	R7410	CARBON R	R16J-220	1	417342214T	
PCB2	R7411	CARBON R	R16J-470	1	417344714T	
PCB2	R7412	CARBON R	R16J-470	1	417344714T	
PCB2	R7413	CARBON R	R16J-220K	1	417342244T	
PCB2	R7414	CARBON R	R16J-100K	1	417341044T	
PCB2	R9101	METAL R	RNU1/2WCJ-0.1	1	453531094T	<MDD, MDC>
PCB2	R9101	METAL R	RNU1/2WCJ-0.22	1	453532294T	<MGQ, MPP>
PCB2	R9101	METAL R	RNU1/2WCJ-0.22	1	453532294T	<MWO, MWT>
PCB2	R9101	METAL R	RNU1/2WCJ-0.22	1	453532294T	<MGK>
PCB2	R9102	METAL R	RNU1/2WCJ-8.2	1	453530824T	
PCB2	RL901	RELAY	NRL-1P5A-DC9-179	1	25065669	!
PCB2	S7001	R ENCODE	EC12E2425WITH WASHEI	1	25065655W	
PCB2	S7101	PUSH SW	NPS-111-S681	1	25035718T	
PCB2	S7104	PUSH SW	NPS-111-S681	1	25035718T	
PCB2	S7106	PUSH SW	NPS-111-S681	1	25035718T	
PCB2	S7107	PUSH SW	NPS-111-S681	1	25035718T	
PCB2	S7109	PUSH SW	NPS-111-S681	1	25035718T	<MGQ, MPP>
PCB2	S7109	PUSH SW	NPS-111-S681	1	25035718T	<MWO, MWT>
PCB2	S7109	PUSH SW	NPS-111-S681	1	25035718T	<MGK>
PCB2	S7115	PUSH SW	NPS-111-S681	1	25035718T	
PCB2	S7117	PUSH SW	NPS-111-S681	1	25035718T	
PCB2	S7119	PUSH SW	NPS-111-S681	1	25035718T	
PCB2	S7123	PUSH SW	NPS-111-S681	1	25035718T	
PCB2	S7125	PUSH SW	NPS-111-S681	1	25035718T	
PCB2	S7127	PUSH SW	NPS-111-S681	1	25035718T	
PCB2	S7129	PUSH SW	NPS-111-S681	1	25035718T	
PCB2	S7132	PUSH SW	NPS-111-S681	1	25035718T	
PCB2	S7134	PUSH SW	NPS-111-S681	1	25035718T	

PCB2	S7136	PUSH SW	NPS-111-S681	1	25035718T	
PCB2	S7138	PUSH SW	NPS-111-S681	1	25035718T	
PCB2	S7140	PUSH SW	NPS-111-S681	1	25035718T	
PCB2	S7142	PUSH SW	NPS-111-S681	1	25035718T	
PCB2	S7144	PUSH SW	NPS-111-S681	1	25035718T	
PCB2	S7146	PUSH SW	NPS-111-S681	1	25035718T	
PCB2	S7148	PUSH SW	NPS-111-S681	1	25035718T	
PCB2	S7149	PUSH SW	NPS-111-S681	1	25035718T	
PCB2	S7151	PUSH SW	NPS-111-S681	1	25035718T	
PCB2	S7153	PUSH SW	NPS-111-S681	1	25035718T	
PCB2	S7155	PUSH SW	NPS-111-S681	1	25035718T	
PCB2	S7157	PUSH SW	NPS-111-S681	1	25035718T	
PCB2	S7159	PUSH SW	NPS-111-S681	1	25035718T	
PCB2	S7161	PUSH SW	NPS-111-S681	1	25035718T	
PCB2	S7164	PUSH SW	NPS-111-S681	1	25035718T	
PCB2	S7166	PUSH SW	NPS-111-S681	1	25035718T	
PCB2	S902	SLIDE SW	NSS-22157P	1	25065437	!, <MWO, MWT>
PCB2	P701B	SOCKET	NSCT-32P2162	1	25052265	
PCB2	P901A	PLUG	NPLG-2P631	1	25055675	!
PCB2	P901A or	PLUG	1-1123724-2	(1)	25056402	!
PCB2	P911	PLUG	NPLG-2P631	1	25055675	<MDD, MDC>
PCB2	P911 or	PLUG	1-1123724-2	(1)	25056402	<MDD, MDC>
PCB2	P911	PLUG	NPLG-2P631	1	25055675	<MGK>
PCB2	P911 or	PLUG	1-1123724-2	(1)	25056402	<MGK>
PCB2	P911	PLUG	NPLG-2P631	1	25055675	<MGQ, MPP>
PCB2	P911 or	PLUG	1-1123724-2	(1)	25056402	<MGQ, MPP>
PCB2	P912	PLUG	B5P9-VH	1	25056568	<MWO, MWT>
PCB2	P912 or	PLUG	1-1123724-5	(1)	25056579	<MWO, MWT>
PCB2	P923	CRIMP AS	CRIMP-AS	1	2069943153UL	<MWO, MWT>
PCB2	P924	CRIMP AS	CRIMP-AS	1	2069943154UL	<MWO, MWT>
PCB2	P925	CRIMP AS	CRIMP AS	1	2069943159UL	<MWO, MWT>
PCB2	P7201	ST JACK	MSJ-064-05A SR	1	25045783	
PCB2	P7201 or	ST JACK	YKB21-5005	(1)	25045724	
PCB2	P7301	PIN JACK	NPJ-7PDB477	1	25045680	
PCB2	P7401	ST JACK	MSJ-035-05C B AG SR type	1	25045879	
PCB2	E7201	TRM(SCREW)	NEJITANSI M3	1	25065425	
PCB2	E7301	RETAINER	(S)	1	27142074	
PCB2	E901	TRM(SCREW)	NEJITANSI M3	1	25065425	
PCB2	E902	TRM(SCREW)	NEJITANSI M3	1	25065425	
PCB2	F901C	FUSE HOL	NSCT-1P2031	1	25052133T	!
PCB2	F901D	FUSE HOL	NSCT-1P2031	1	25052133T	!
PCB2	F902A	FUSE HOL	NSCT-1P2031	1	25052133T	!, <MWO, MWT>
PCB2	F902B	FUSE HOL	NSCT-1P2031	1	25052133T	!, <MWO, MWT>
PCB2	F902C	LABEL	T5A/250V	1	29360419	!, <MWO, MWT>
PCB2	JL901	JUMPER LEAD	JL5 150 B	1	---	NSP
PCB2	JL901A	WIRE HOL	NSCT-5P876	1	25051089	
PCB2	JL6605	JUMPER LEAD	JL5 400 H	1	---	NSP
PCB2	JL6605A	WIRE HOL	NSCT-5P896	1	25051109	
PCB2	JL7101	JUMPER LEAD	JL9 200 H	1	---	NSP
PCB2	JL7101A	WIRE HOL	NSCT-9P900	1	25051113	
PCB2	JL7101B	WIRE HOL	NSCT-9P900	1	25051113	

PCB2	JL9101	JUMPER LEAD	JL6 300 H	1	---	NSP
PCB2	JL9101A	WIRE HOL	NSCT-6P897	1	25051110	
PCB3	U12	DSP PC BOARD (NADG-9177-1A / 1B / 1C / 1D)				
PCB3	U13	VIDEO & SPEAKER TERMINAL PC BOARD (NAVD-9178-1A / 1B / 1C / 1D)				
PCB3						
PCB3	CIRCUIT NO.	PART NAME	DESCRIPTION	Q'TY	PART NO. (SN)	REMARKS
PCB3	U131	PHT CP	GP1FAV51RKF5	1	24120129	
PCB3	U131 or	PHT CP	JSR1165-001recieving	(1)	24120143	
PCB3	U132	PHT CP	GP1FAV51RKF5	1	24120129	
PCB3	U132 or	PHT CP	JSR1165-001recieving	(1)	24120143	
PCB3	Q131	IC	74HCU04F	1	222740046R2	
PCB3	Q151	IC	TC74VHC541FT	1	22274541E1R2TO	
PCB3	Q151 or	IC	TC74VHC541FT(EKJ)	(1)	22274541E1R2TO	
PCB3	Q152	IC	TC74HCT7007AF(EL_F)	1	222740077R2TO	
PCB3	Q171	IC	TC7WU04FU(TE12L_F)	1	22240935R2	
PCB3	Q201	IC	D707E001BRFP250	1	22242401R3	
PCB3	Q201 or	IC	D707E001RFP250	(1)	22242309R3	
PCB3	Q281	IC	M12L16161A-7TG	1	22242278R3	
PCB3	Q281 or	IC	IC42S16100	(1)	22242123R2	
PCB3	Q281 or	IC	RMS116T(LF)	(1)	22242340R3	
PCB3	Q282	IC	ES29LV400	1	222W0045R3	
PCB3	Q282 or	IC	ES29LV400ET-70TG	(1)	222W0065R3	
PCB3	Q282 or	IC	S29AL004D70TFI010	(1)	222W0061R3	
PCB3	Q301	IC	CS42518-CQZR-D	1	22242229R2	
PCB3	Q341	IC	NJM4580M-D	1	22241448R2	
PCB3	Q401	IC	NJM4580M-D	1	22241448R2	
PCB3	Q402	IC	NJM4580M-D	1	22241448R2	
PCB3	Q403	IC	NJM4580M-D	1	22241448R2	
PCB3	Q404	IC	NJM4580M-D	1	22241448R2	
PCB3	Q601	TR	KRC104S	1	2216210R2	
PCB3	Q601 or	TR	RN1404	(1)	2214490R2	
PCB3	Q602	TR	KRA102S	1	2216220R2	
PCB3	Q602 or	TR	RN2402	(1)	2214530R2	
PCB3	Q610	IC	S-24CS16A01-J8V1G	1	22242326R2	
PCB3	Q701	IC(MICROPROCESSOR)	M30626FHFPF	1	222W0032R3	
PCB3	Q702	IC	S-812C56AUA-C3K	1	22242207R2	
PCB3	Q741	IC	SI8008TM	1	22242323R2	
PCB3	Q742	IC	BD7820	1	22242300R2	
PCB3	Q746	IC	TA48033AF(TE16L_NQ)	1	22278033DR2TO	
PCB3	Q746 or	IC	BA33BC0FP	(1)	22278033DR2RH	
PCB3	Q751	TR	KRC104S	1	2216210R2	
PCB3	Q751 or	TR	RN1404	(1)	2214490R2	
PCB3	Q752	TR	KRA102S	1	2216220R2	
PCB3	Q752 or	TR	RN2402	(1)	2214530R2	
PCB3	Q4002	IC	AN15881A-VT	1	22242318R3	
PCB3	Q6601	TR	KRC105S	1	2217290R2	
PCB3	Q6601 or	TR	RN1405	(1)	2214500R2	
PCB3	Q6601 or	TR	DTC123JKA	(1)	2216690R2	
PCB3	Q6602	TR	KRC105S	1	2217290R2	
PCB3	Q6602 or	TR	RN1405	(1)	2214500R2	

PCB3	Q6602 or	TR	DTC123JKA	(1)	2216690R2	
PCB3	Q6603	TR	KRC105S	1	2217290R2	
PCB3	Q6603 or	TR	RN1405	(1)	2214500R2	
PCB3	Q6603 or	TR	DTC123JKA	(1)	2216690R2	
PCB3	Q6604	TR	KRC105S	1	2217290R2	
PCB3	Q6604 or	TR	RN1405	(1)	2214500R2	
PCB3	Q6604 or	TR	DTC123JKA	(1)	2216690R2	
PCB3	Q9001	TR	2SC2235-Y(TPE6_F)	1	2211654T	
PCB3	Q9002	TR	KRC105S	1	2217290R2	
PCB3	Q9002 or	TR	RN1405	(1)	2214500R2	
PCB3	Q9002 or	TR	DTC123JKA	(1)	2216690R2	
PCB3	Q9022	IC	BA00JC5WT-V5	1	222580002	
PCB3	Q9022A	SCREW	3P+10FN(3BC)	1	82143010GR	
PCB3	Q9031	IC	MPC2905BHF	1	22278005DBNE	
PCB3	Q9031A	SCREW	3P+10FN(3BC)	1	82143010GR	
PCB3	Q9031B	HEAT SINK	RAD-231	1	27160592	
PCB3	Q9101	TR	2SD2394-F	1	2202706	<MWO , MWT>
PCB3	Q9102	TR	RN1402	1	2214470R2	<MWO , MWT>
PCB3	Q9103	TR	RN1402	1	2214470R2	<MWO , MWT>
PCB3	D103	C-DIODE	ISS355	1	223269R2	
PCB3	D103 or	C-DIODE	ISS352	(1)	223234R2	
PCB3	D103 or	C-DIODE	KDS4148U	(1)	223283R2	
PCB3	D103 or	C-DIODE	MA2J111	(1)	223279R2	
PCB3	D104	C-DIODE	ISS355	1	223269R2	
PCB3	D104 or	C-DIODE	ISS352	(1)	223234R2	
PCB3	D104 or	C-DIODE	KDS4148U	(1)	223283R2	
PCB3	D104 or	C-DIODE	MA2J111	(1)	223279R2	
PCB3	D404	ZENER D	UDZS5.1B	1	224550510R2	
PCB3	D601	C-DIODE	ISS355	1	223269R2	
PCB3	D601 or	C-DIODE	ISS352	(1)	223234R2	
PCB3	D601 or	C-DIODE	KDS4148U	(1)	223283R2	
PCB3	D601 or	C-DIODE	MA2J111	(1)	223279R2	
PCB3	D604	C-DIODE	ISS355	1	223269R2	
PCB3	D604 or	C-DIODE	ISS352	(1)	223234R2	
PCB3	D604 or	C-DIODE	KDS4148U	(1)	223283R2	
PCB3	D604 or	C-DIODE	MA2J111	(1)	223279R2	
PCB3	D701	C-DIODE	ISS355	1	223269R2	
PCB3	D701 or	C-DIODE	ISS352	(1)	223234R2	
PCB3	D701 or	C-DIODE	KDS4148U	(1)	223283R2	
PCB3	D701 or	C-DIODE	MA2J111	(1)	223279R2	
PCB3	D702	C-DIODE	ISS355	1	223269R2	
PCB3	D702 or	C-DIODE	ISS352	(1)	223234R2	
PCB3	D702 or	C-DIODE	KDS4148U	(1)	223283R2	
PCB3	D702 or	C-DIODE	MA2J111	(1)	223279R2	
PCB3	D703	C-DIODE	ISS355	1	223269R2	
PCB3	D703 or	C-DIODE	ISS352	(1)	223234R2	
PCB3	D703 or	C-DIODE	KDS4148U	(1)	223283R2	
PCB3	D703 or	C-DIODE	MA2J111	(1)	223279R2	
PCB3	D705	C-DIODE	ISS355	1	223269R2	
PCB3	D705 or	C-DIODE	ISS352	(1)	223234R2	
PCB3	D705 or	C-DIODE	KDS4148U	(1)	223283R2	

PCB3	D705 or	C-DIODE	MA2J111	(1)	223279R2	
PCB3	D706	C-DIODE	ISS355	1	223269R2	
PCB3	D706 or	C-DIODE	ISS352	(1)	223234R2	
PCB3	D706 or	C-DIODE	KDS4148U	(1)	223283R2	
PCB3	D706 or	C-DIODE	MA2J111	(1)	223279R2	
PCB3	D741	C-DIODE	CRS09(TE85L_Q)	1	223274R2	
PCB3	D742	C-DIODE	ISS355	1	223269R2	
PCB3	D742 or	C-DIODE	ISS352	(1)	223234R2	
PCB3	D742 or	C-DIODE	KDS4148U	(1)	223283R2	
PCB3	D742 or	C-DIODE	MA2J111	(1)	223279R2	
PCB3	D743	C-DIODE	ISS355	1	223269R2	
PCB3	D743 or	C-DIODE	ISS352	(1)	223234R2	
PCB3	D743 or	C-DIODE	KDS4148U	(1)	223283R2	
PCB3	D743 or	C-DIODE	MA2J111	(1)	223279R2	
PCB3	D744	DIODE	RL1N4003	1	22380260T	
PCB3	D744 or	DIODE	GP104003E	(1)	22380035T	
PCB3	D6600	C-DIODE	ISS352	1	223234R2	
PCB3	D6600 or	C-DIODE	ISS355	(1)	223269R2	
PCB3	D6603	C-DIODE	ISS352	1	223234R2	
PCB3	D6603 or	C-DIODE	ISS355	(1)	223269R2	
PCB3	D6605	C-DIODE	ISS352	1	223234R2	
PCB3	D6605 or	C-DIODE	ISS355	(1)	223269R2	
PCB3	D6607	C-DIODE	ISS352	1	223234R2	
PCB3	D6607 or	C-DIODE	ISS355	(1)	223269R2	
PCB3	D9002	DIODE	RL1N4003	1	22380260T	
PCB3	D9002 or	DIODE	GP104003E	(1)	22380035T	
PCB3	D9005	ZENER D	UDZS36B	1	224553600R2	
PCB3	D9011	DIODE	D3SBA20	1	22380271F	
PCB3	D9011 or	DIODE	RBV402	(1)	22380022F	
PCB3	D9012	C-DIODE	ISS352	1	223234R2	
PCB3	D9012 or	C-DIODE	ISS355	(1)	223269R2	
PCB3	D9013	C-DIODE	ISS352	1	223234R2	
PCB3	D9013 or	C-DIODE	ISS355	(1)	223269R2	
PCB3	D9014	C-DIODE	ISS352	1	223234R2	
PCB3	D9014 or	C-DIODE	ISS355	(1)	223269R2	
PCB3	D9015	C-DIODE	ISS352	1	223234R2	
PCB3	D9015 or	C-DIODE	ISS355	(1)	223269R2	
PCB3	D9017	C-DIODE	ISS352	1	223234R2	
PCB3	D9017 or	C-DIODE	ISS355	(1)	223269R2	
PCB3	D9018	DIODE	RL1N4003	1	22380260T	
PCB3	D9018 or	DIODE	GP104003E	(1)	22380035T	
PCB3	D9020	C-DIODE	ISS352	1	223234R2	
PCB3	D9020 or	C-DIODE	ISS355	(1)	223269R2	
PCB3	D9022	DIODE	RL1N4003	1	22380260T	
PCB3	D9022 or	DIODE	GP104003E	(1)	22380035T	
PCB3	D9024	ZENER D	UDZ3.3B	1	224490330R2	<MDD, MDC>
PCB3	D9024	ZENER D	UDZ3.3B	1	224490330R2	<MGK, MGQ>
PCB3	D9024	ZENER D	UDZ3.3B	1	224490330R2	<MPP>
PCB3	D9024	ZENER D	UDZS5.6B	1	224550560R2	<MWO, MWT>
PCB3	D9101	ZENER D	UDZS7.5B	1	224550750R2	<MWO, MWT>
PCB3	X171	CRYSTAL	HC-49US24.576MHz	1	3010423T	

PCB3	X171 or	CRYSTAL	HC-49/U03-24.576M	(1)	3010314T	
PCB3	X701	CERA LOCK	CSTCR6M0055-R0	1	3010397R2	
PCB3	L131	CHOKE COIL	LBC2518T2R2M	1	231364M022R2	
PCB3	L132	CHOKE COIL	LBC2518T2R2M	1	231364M022R2	
PCB3	L133	CHOKE COIL	LBC2518T4R7M	1	231364M047R2	
PCB3	L134	CHOKE COIL	LBC2518T470M	1	231364M470R2	
PCB3	L151	CHOKE COIL	BLM21PG221SN1	1	230949R2	
PCB3	L152	CHOKE COIL	BLM21PG221SN1	1	230949R2	
PCB3	L171	CHOKE COIL	LBC2518T470M	1	231364M470R2	
PCB3	L172	EMIFIL	BK1608LM182-T	1	230958R1	
PCB3	L173	EMIFIL	BK1608LM182-T	1	230958R1	
PCB3	L201	CHOKE COIL	BLM21PG221SN1	1	230949R2	
PCB3	L202	CHOKE COIL	BLM21PG221SN1	1	230949R2	
PCB3	L203	EMIFIL	BK1608LL241-T	1	230959R1	
PCB3	L241	EMIFIL	ACF451832-333-T	1	230978R2	
PCB3	L281	CHOKE COIL	BLM21PG221SN1	1	230949R2	
PCB3	L282	CHOKE COIL	BLM21PG221SN1	1	230949R2	
PCB3	L283	CHOKE COIL	BLM21PG221SN1	1	230949R2	
PCB3	L284	CHOKE COIL	BLM21PG221SN1	1	230949R2	
PCB3	L302	CHOKE COIL	LBC2518T4R7M	1	231364M047R2	
PCB3	L303	CHOKE COIL	LBC2518T4R7M	1	231364M047R2	
PCB3	L304	CHOKE COIL	LBC2518T4R7M	1	231364M047R2	
PCB3	L312	EMIFIL	BK1608LM182-T	1	230958R1	
PCB3	L313	EMIFIL	BK1608LM182-T	1	230958R1	
PCB3	L741	CHOKE COIL	NCH-2541	1	231363K470	
PCB3	L4001	C-CARBON R	RN72K2E-022JE	1	435220224R1	
PCB3	L4010	C-CARBON R	RN72K2E-220JE	1	435222204R1	
PCB3	L4011	C-CARBON R	RN72K2E-022JE	1	435220224R1	
PCB3	L4015	CHOKE COIL	LBC2518T4R7M	1	231364M047R2	
PCB3	L6600	S COIL	S-1.3C	1	231176S	<MPP>
PCB3	L6600	S COIL	S-1.3C	1	231176S	<MWO , MWT>
PCB3	L6600	S COIL	S-1.3C	1	231176S	<MGK, MGQ>
PCB3	L6601	S COIL	S-1.3C	1	231176S	<MPP>
PCB3	L6601	S COIL	S-1.3C	1	231176S	<MWO , MWT>
PCB3	L6601	S COIL	S-1.3C	1	231176S	<MGK, MGQ>
PCB3	L6602	S COIL	S-1.3C	1	231176S	<MPP>
PCB3	L6602	S COIL	S-1.3C	1	231176S	<MWO , MWT>
PCB3	L6602	S COIL	S-1.3C	1	231176S	<MGK, MGQ>
PCB3	L6603	S COIL	S-1.3C	1	231176S	<MPP>
PCB3	L6603	S COIL	S-1.3C	1	231176S	<MWO , MWT>
PCB3	L6603	S COIL	S-1.3C	1	231176S	<MGK, MGQ>
PCB3	L6604	S COIL	S-1.3C	1	231176S	<MPP>
PCB3	L6604	S COIL	S-1.3C	1	231176S	<MWO , MWT>
PCB3	L6604	S COIL	S-1.3C	1	231176S	<MGK, MGQ>
PCB3	L6605	S COIL	S-1.3C	1	231176S	<MPP>
PCB3	L6605	S COIL	S-1.3C	1	231176S	<MWO , MWT>
PCB3	L6605	S COIL	S-1.3C	1	231176S	<MGK, MGQ>
PCB3	L6606	S COIL	S-1.3C	1	231176S	<MPP>
PCB3	L6606	S COIL	S-1.3C	1	231176S	<MWO , MWT>
PCB3	L6606	S COIL	S-1.3C	1	231176S	<MGK, MGQ>
PCB3	C102	C-CERA C	CK725F1E-104Z1	1	332161040R1	

PCB3	C103	UTSP C	CE04W25V-100M(UTSP)	1	397551017T
PCB3	C104	C-CERA C	CK725F1E-104Z1	1	332161040R1
PCB3	C106	C-CERA C	CK725F1E-104Z1	1	332161040R1
PCB3	C107	C-CERA C	CK725F1E-104Z1	1	332161040R1
PCB3	C108	C-CERA C	CK725F1E-104Z1	1	332161040R1
PCB3	C131	C-CERA C	CC725CH1H-101J1	1	342101014R1
PCB3	C132	C-CERA C	CC725CH1H-101J1	1	342101014R1
PCB3	C133	C-CERA C	CK725B1C-104K1	1	332121045R1
PCB3	C134	C-CERA C	CK725B1C-104K1	1	332121045R1
PCB3	C135	C-CERA C	CC725CH1H-080D1	1	342100802R1
PCB3	C136	C-CERA C	CC725CH1H-080D1	1	342100802R1
PCB3	C139	VR C	CE04W6.3V-220M(VR)	1	394622217T
PCB3	C140	C-CERA C	CK725F1E-104Z1	1	332161040R1
PCB3	C141	C-CERA C	CK725F1E-104Z1	1	332161040R1
PCB3	C142	C-CERA C	CK725F1E-104Z1	1	332161040R1
PCB3	C145	VR C	CE04W6.3V-220M(VR)	1	394622217T
PCB3	C146	C-CERA C	CK725B1H-103K1	1	332101035R1
PCB3	C147	C-CERA C	CK725B1H-103K1	1	332101035R1
PCB3	C151	C-CERA C	CK725F1E-104Z1	1	332161040R1
PCB3	C152	C-CERA C	CK725F1E-104Z1	1	332161040R1
PCB3	C171	C-CERA C	CK725F1E-104Z1	1	332161040R1
PCB3	C172	C-CERA C	CC725CH1H-060D1	1	342100602R1
PCB3	C173	C-CERA C	CC725CH1H-060D1	1	342100602R1
PCB3	C201	C-CERA C	CK725F1E-104Z1	1	332161040R1
PCB3	C202	C-CERA C	CK725F1E-104Z1	1	332161040R1
PCB3	C203	C-CERA C	CK725F1E-104Z1	1	332161040R1
PCB3	C204	C-CERA C	CK725F1E-104Z1	1	332161040R1
PCB3	C205	C-CERA C	CK725F1E-104Z1	1	332161040R1
PCB3	C206	C-CERA C	CK725F1E-104Z1	1	332161040R1
PCB3	C207	C-CERA C	CK725F1E-104Z1	1	332161040R1
PCB3	C208	C-CERA C	CK725F1E-104Z1	1	332161040R1
PCB3	C209	C-CERA C	CK725F1E-104Z1	1	332161040R1
PCB3	C210	C-CERA C	CK725F1E-104Z1	1	332161040R1
PCB3	C211	C-CERA C	CK725F1E-104Z1	1	332161040R1
PCB3	C213	C-CERA C	CK725F1E-104Z1	1	332161040R1
PCB3	C214	C-CERA C	CK725F1E-104Z1	1	332161040R1
PCB3	C215	C-CERA C	CK725F1E-104Z1	1	332161040R1
PCB3	C221	C-CERA C	CK725F1E-104Z1	1	332161040R1
PCB3	C222	C-CERA C	CK725F1E-104Z1	1	332161040R1
PCB3	C223	C-CERA C	CK725F1E-104Z1	1	332161040R1
PCB3	C224	C-CERA C	CK725F1E-104Z1	1	332161040R1
PCB3	C225	C-CERA C	CK725F1E-104Z1	1	332161040R1
PCB3	C226	C-CERA C	CK725F1E-104Z1	1	332161040R1
PCB3	C227	C-CERA C	CK725F1E-104Z1	1	332161040R1
PCB3	C228	C-CERA C	CK725F1E-104Z1	1	332161040R1
PCB3	C229	C-CERA C	CK725F1E-104Z1	1	332161040R1
PCB3	C230	C-CERA C	CK725F1E-104Z1	1	332161040R1
PCB3	C231	C-CERA C	CK725F1E-104Z1	1	332161040R1
PCB3	C232	C-CERA C	CK725F1E-104Z1	1	332161040R1
PCB3	C241	VR C	CE04W6.3V-470M(VR)	1	394624717T
PCB3	C242	C-CERA C	CK725F1E-104Z1	1	332161040R1

PCB3	C245	C-CERA C	CC725CH1H-101J1	1	342101014R1
PCB3	C271	VR C	CE04W6.3V-470M(VR)	1	394624717T
PCB3	C272	VR C	CE04W6.3V-470M(VR)	1	394624717T
PCB3	C281	VR C	CE04W6.3V-220M(VR)	1	394622217T
PCB3	C282	C-CERA C	CK725F1E-104Z1	1	332161040R1
PCB3	C283	VR C	CE04W6.3V-220M(VR)	1	394622217T
PCB3	C284	C-CERA C	CK725F1E-104Z1	1	332161040R1
PCB3	C285	C-CERA C	CK725F1E-104Z1	1	332161040R1
PCB3	C286	C-CERA C	CK725F1E-104Z1	1	332161040R1
PCB3	C287	C-CERA C	CK725F1E-104Z1	1	332161040R1
PCB3	C288	C-CERA C	CK725F1E-104Z1	1	332161040R1
PCB3	C289	C-CERA C	CK725F1E-104Z1	1	332161040R1
PCB3	C290	C-CERA C	CK725F1E-104Z1	1	332161040R1
PCB3	C291	C-CERA C	CK725F1E-104Z1	1	332161040R1
PCB3	C301	C-CERA C	CK725F1H-103Z1	1	332151030R1
PCB3	C302	UTSP C	CE04W10V-470M(UTSP)	1	397534717T
PCB3	C303	UTSP C	CE04W10V-470M(UTSP)	1	397534717T
PCB3	C304	UTSP C	CE04W10V-470M(UTSP)	1	397534717T
PCB3	C305	C-CERA C	CK725F1E-104Z1	1	332161040R1
PCB3	C306	RFS C	CE04W25V-47M(RFS)	1	395954707T
PCB3	C307	C-CERA C	CK725F1E-104Z1	1	332161040R1
PCB3	C308	UTSP C	CE04W10V-100M(UTSP)	1	397531017T
PCB3	C309	C-CERA C	CK725F1E-104Z1	1	332161040R1
PCB3	C310	C-CERA C	CK725B1H-222K1	1	332102225R1
PCB3	C311	C-CERA C	CK725B1H-473K1	1	332104735R1
PCB3	C312	C-CERA C	CK725F1E-104Z1	1	332161040R1
PCB3	C313	C-CERA C	CK725F1E-104Z1	1	332161040R1
PCB3	C314	C-CERA C	CK725F1E-104Z1	1	332161040R1
PCB3	C315	C-CERA C	CK725F1E-104Z1	1	332161040R1
PCB3	C316	C-CERA C	CC725CH1H-221J1	1	342102214R1
PCB3	C318	C-CERA C	CK725F1E-104Z1	1	332161040R1
PCB3	C319	C-CERA C	CK725F1E-104Z1	1	332161040R1
PCB3	C320	C-CERA C	CK725F1E-104Z1	1	332161040R1
PCB3	C321	UTSP C	CE04W50V-10M(UTSP)	1	397581007T
PCB3	C322	UTSP C	CE04W50V-10M(UTSP)	1	397581007T
PCB3	C323	UTSP C	CE04W50V-10M(UTSP)	1	397581007T
PCB3	C324	UTSP C	CE04W50V-10M(UTSP)	1	397581007T
PCB3	C325	C-CERA C	CC732CH1H-222J	1	347342224R2
PCB3	C326	C-CERA C	CC732CH1H-222J	1	347342224R2
PCB3	C333	C-CERA C	CC725CH1H-330J1	1	342103304R1
PCB3	C334	C-CERA C	CC725CH1H-330J1	1	342103304R1
PCB3	C336	C-CERA C	CC725CH1H-330J1	1	342103304R1
PCB3	C337	C-CERA C	CC725CH1H-330J1	1	342103304R1
PCB3	C341	C-CERA C	CC725CH1H-101J1	1	342101014R1
PCB3	C342	C-CERA C	CC725CH1H-101J1	1	342101014R1
PCB3	C401	TF C	ECQ-B50V-472J	1	374724724T
PCB3	C402	TF C	ECQ-B50V-472J	1	374724724T
PCB3	C403	TF C	ECQ-B50V-472J	1	374724724T
PCB3	C404	TF C	ECQ-V50V-333J	1	374723334T
PCB3	C405	TF C	ECQ-B50V-472J	1	374724724T
PCB3	C406	TF C	ECQ-B50V-472J	1	374724724T

PCB3	C407	TF C	ECQ-B50V-472J	1	374724724T
PCB3	C408	TF C	ECQ-B50V-472J	1	374724724T
PCB3	C411	TF C	ECQ-B50V-681J	1	374726814T
PCB3	C412	TF C	ECQ-B50V-681J	1	374726814T
PCB3	C413	TF C	ECQ-B50V-681J	1	374726814T
PCB3	C414	TF C	ECQ-B50V-153J	1	374721534T
PCB3	C415	C-CERA C	CC725CH1H-681J1	1	342106814R1
PCB3	C416	C-CERA C	CC725CH1H-681J1	1	342106814R1
PCB3	C417	C-CERA C	CC725CH1H-681J1	1	342106814R1
PCB3	C418	C-CERA C	CC725CH1H-681J1	1	342106814R1
PCB3	C421	TF C	ECQ-B50V-681J	1	374726814T
PCB3	C422	TF C	ECQ-B50V-681J	1	374726814T
PCB3	C423	TF C	ECQ-B50V-681J	1	374726814T
PCB3	C424	TF C	ECQ-B50V-153J	1	374721534T
PCB3	C425	C-CERA C	CC725CH1H-681J1	1	342106814R1
PCB3	C426	C-CERA C	CC725CH1H-681J1	1	342106814R1
PCB3	C427	C-CERA C	CC725CH1H-681J1	1	342106814R1
PCB3	C428	C-CERA C	CC725CH1H-681J1	1	342106814R1
PCB3	C591	UTSP C	CE04W25V-220M(UTSP)	1	397552217T
PCB3	C592	UTSP C	CE04W25V-220M(UTSP)	1	397552217T
PCB3	C600	C-CERA C	CK725F1E-104Z1	1	332161040R1
PCB3	C601	C-CERA C	CK725F1E-104Z1	1	332161040R1
PCB3	C602	C-CERA C	CK725F1E-104Z1	1	332161040R1
PCB3	C603	C-CERA C	CK725F1E-104Z1	1	332161040R1
PCB3	C604	UTSP C	CE04W50V-4.7M(UTSP)	1	397580477T
PCB3	C605	C-CERA C	CK725F1E-104Z1	1	332161040R1
PCB3	C606	C-CERA C	CC725CH1H-101J1	1	342101014R1
PCB3	C607	C-CERA C	CC725CH1H-101J1	1	342101014R1
PCB3	C608	C-CERA C	CK725F1E-104Z1	1	332161040R1
PCB3	C609	C-CERA C	CK725F1E-104Z1	1	332161040R1
PCB3	C610	C-CERA C	CK725B1H-102K1	1	332101025R1
PCB3	C611	C-CERA C	CK725F1E-104Z1	1	332161040R1
PCB3	C612	C-CERA C	CK725B1H-102K1	1	332101025R1
PCB3	C613	C-CERA C	CK732B1A-105K	1	337361055R2
PCB3	C614	C-CERA C	CK725F1E-104Z1	1	332161040R1
PCB3	C615	C-CERA C	CK725F1E-104Z1	1	332161040R1
PCB3	C616	C-CERA C	CK725B1H-102K1	1	332101025R1
PCB3	C617	C-CERA C	CK725B1H-102K1	1	332101025R1
PCB3	C618	C-CERA C	CK725B1H-102K1	1	332101025R1
PCB3	C619	C-CERA C	CK725B1H-102K1	1	332101025R1
PCB3	C620	C-CERA C	CK725B1H-102K1	1	332101025R1
PCB3	C621	C-CERA C	CK725B1H-102K1	1	332101025R1
PCB3	C622	C-CERA C	CC725CH1H-101J1	1	342101014R1
PCB3	C623	C-CERA C	CC725CH1H-101J1	1	342101014R1
PCB3	C624	C-CERA C	CK725F1E-104Z1	1	332161040R1
PCB3	C625	C-CERA C	CK725F1E-104Z1	1	332161040R1
PCB3	C626	C-CERA C	CK725F1E-104Z1	1	332161040R1
PCB3	C627	C-CERA C	CK725F1E-104Z1	1	332161040R1
PCB3	C628	C-CERA C	CK725F1E-104Z1	1	332161040R1
PCB3	C629	C-CERA C	CK725F1E-104Z1	1	332161040R1
PCB3	C701	C-CERA C	CK725F1E-104Z1	1	332161040R1

PCB3	C702	UTSP C	CE04W10V-100M(UTSP)	1	397531017T
PCB3	C705	UTSP C	CE04W10V-100M(UTSP)	1	397531017T
PCB3	C706	VR C	CE04W16V-470M(VR)	1	394644717T
PCB3	C741	VR C	CE04W16V-470M(VR)	1	394644717T
PCB3	C742	C-CERA C	CK725B1C-104K1	1	332121045R1
PCB3	C743	VR C	CE04W6.3V-1000M(VR)	1	394621027T
PCB3	C745	UTSP C	CE04W50V-10M(UTSP)	1	397581007T
PCB3	C746	UTSP C	CE04W10V-100M(UTSP)	1	397531017T
PCB3	C747	UTSP C	CE04W50V-10M(UTSP)	1	397581007T
PCB3	C748	UTSP C	CE04W10V-100M(UTSP)	1	397531017T
PCB3	C751	UTSP C	CE04W50V-1M(UTSP)	1	397580107T
PCB3	C753	VR C	CE04W6.3V-470M(VR)	1	394624717T
PCB3	C754	C-CERA C	CK725F1E-104Z1	1	332161040R1
PCB3	C755	C-CERA C	CK725F1E-104Z1	1	332161040R1
PCB3	C4001	UTSP C	CE04W50V-10M(UTSP)	1	397581007T
PCB3	C4002	UTSP C	CE04W50V-10M(UTSP)	1	397581007T
PCB3	C4003	UTSP C	CE04W50V-10M(UTSP)	1	397581007T
PCB3	C4004	UTSP C	CE04W50V-10M(UTSP)	1	397581007T
PCB3	C4005	UTSP C	CE04W50V-10M(UTSP)	1	397581007T
PCB3	C4006	UTSP C	CE04W50V-10M(UTSP)	1	397581007T
PCB3	C4007	UTSP C	CE04W50V-10M(UTSP)	1	397581007T
PCB3	C4008	UTSP C	CE04W50V-10M(UTSP)	1	397581007T
PCB3	C4009	UTSP C	CE04W50V-10M(UTSP)	1	397581007T
PCB3	C4013	C-CERA C	CK725B1H-103K1	1	332101035R1
PCB3	C4015	C-CERA C	CK725B1H-102K1	1	332101025R1
PCB3	C4016	C-CERA C	CK725F1E-104Z1	1	332161040R1
PCB3	C4017	UTSP C	CE04W50V-10M(UTSP)	1	397581007T
PCB3	C4018	UTSP C	CE04W50V-10M(UTSP)	1	397581007T
PCB3	C4019	C-CERA C	CK725B1H-103K1	1	332101035R1
PCB3	C4020	C-CERA C	CK725B1H-102K1	1	332101025R1
PCB3	C4021	C-CERA C	CK725B1H-102K1	1	332101025R1
PCB3	C4022	C-CERA C	CK725F1E-104Z1	1	332161040R1
PCB3	C4023	UTSP C	CE04W50V-10M(UTSP)	1	397581007T
PCB3	C4024	UTSP C	CE04W50V-10M(UTSP)	1	397581007T
PCB3	C4025	C-CERA C	CK725F1E-104Z1	1	332161040R1
PCB3	C4026	UTSP C	CE04W50V-10M(UTSP)	1	397581007T
PCB3	C4027	UTSP C	CE04W50V-10M(UTSP)	1	397581007T
PCB3	C4103	VR C	CE04W6.3V-220M(VR)	1	394622217T
PCB3	C4104	VR C	CE04W6.3V-220M(VR)	1	394622217T
PCB3	C4105	UTSP C	CE04W50V-22M(UTSP)	1	397582207T
PCB3	C4106	VR C	CE04W6.3V-220M(VR)	1	394622217T
PCB3	C4107	UTSP C	CE04W50V-22M(UTSP)	1	397582207T
PCB3	C4108	VR C	CE04W6.3V-220M(VR)	1	394622217T
PCB3	C4110	C-CERA C	CK725F1E-104Z1	1	332161040R1
PCB3	C4111	C-CERA C	CK725F1E-104Z1	1	332161040R1
PCB3	C4112	C-CERA C	CK725F1E-104Z1	1	332161040R1
PCB3	C4114	VR C	CE04W6.3V-470M(VR)	1	394624717T
PCB3	C4116	VR C	CE04W6.3V-470M(VR)	1	394624717T
PCB3	C4118	VR C	CE04W6.3V-470M(VR)	1	394624717T
PCB3	C4121	VR C	CE04W6.3V-470M(VR)	1	394624717T
PCB3	C4122	C-CERA C	CK725F1E-104Z1	1	332161040R1

PCB3	C4123	UTSP C	CE04W25V-47M(UTSP)	1	397554707T	
PCB3	C4124	UTSP C	CE04W25V-47M(UTSP)	1	397554707T	
PCB3	C4125	C-CERA C	CK725F1E-104Z1	1	332161040R1	
PCB3	C4127	VR C	CE04W6.3V-470M(VR)	1	394624717T	
PCB3	C4129	VR C	CE04W6.3V-470M(VR)	1	394624717T	
PCB3	C4131	C-CERA C	CK725F1E-104Z1	1	332161040R1	
PCB3	C4132	C-CERA C	CK725F1E-104Z1	1	332161040R1	
PCB3	C4133	VR C	CE04W6.3V-220M(VR)	1	394622217T	
PCB3	C4134	VR C	CE04W6.3V-220M(VR)	1	394622217T	
PCB3	C4135	C-CERA C	CK725F1E-104Z1	1	332161040R1	
PCB3	C4136	UTSP C	CE04W50V-22M(UTSP)	1	397582207T	
PCB3	C4137	C-CERA C	CK725F1E-104Z1	1	332161040R1	
PCB3	C4138	C-CERA C	CK725F1E-104Z1	1	332161040R1	
PCB3	C4139	C-CERA C	CK725F1E-104Z1	1	332161040R1	
PCB3	C4140	C-CERA C	CK725F1E-104Z1	1	332161040R1	
PCB3	C4141	UTSP C	CE04W25V-47M(UTSP)	1	397554707T	
PCB3	C4142	C-CERA C	CC725CH1H-181J1	1	342101814R1	
PCB3	C4143	C-CERA C	CC725CH1H-181J1	1	342101814R1	
PCB3	C4144	C-CERA C	CC725CH1H-181J1	1	342101814R1	
PCB3	C4148	C-CERA C	CK725F1E-104Z1	1	332161040R1	
PCB3	C4149	C-CERA C	CK725F1E-104Z1	1	332161040R1	
PCB3	C4150	C-CERA C	CK725F1E-104Z1	1	332161040R1	
PCB3	C4151	UTSP C	CE04W50V-10M(UTSP)	1	397581007T	
PCB3	C4154	C-CERA C	CC725CH1H-221J1	1	342102214R1	
PCB3	C4155	C-CERA C	CC725CH1H-221J1	1	342102214R1	
PCB3	C4158	C-CERA C	CC725CH1H-470J1	1	342104704R1	
PCB3	C4159	C-CERA C	CC725CH1H-470J1	1	342104704R1	
PCB3	C4160	C-CERA C	CC725CH1H-470J1	1	342104704R1	
PCB3	C4161	C-CERA C	CC725CH1H-181J1	1	342101814R1	
PCB3	C4162	C-CERA C	CC725CH1H-181J1	1	342101814R1	
PCB3	C4163	C-CERA C	CC725CH1H-181J1	1	342101814R1	
PCB3	C4242	C-CERA C	CK725F1E-104Z1	1	332161040R1	
PCB3	C4243	C-CERA C	CK725F1E-104Z1	1	332161040R1	
PCB3	C4244	C-CERA C	CK725F1E-104Z1	1	332161040R1	
PCB3	C6600	TF C	ECQ-B50V-223J	1	374722234T	
PCB3	C6602	TF C	ECQ-B50V-223J	1	374722234T	
PCB3	C6603	TF C	ECQ-B50V-223J	1	374722234T	
PCB3	C6605	TF C	ECQ-B50V-223J	1	374722234T	
PCB3	C6607	TF C	ECQ-B50V-223J	1	374722234T	
PCB3	C6640	TF C	ECQ-B50V-103J	1	374721034T	<MPP>
PCB3	C6640	TF C	ECQ-B50V-103J	1	374721034T	<MWO , MWT>
PCB3	C6640	TF C	ECQ-B50V-103J	1	374721034T	<MGK, MGQ>
PCB3	C6641	TF C	ECQ-B50V-103J	1	374721034T	<MPP>
PCB3	C6641	TF C	ECQ-B50V-103J	1	374721034T	<MWO , MWT>
PCB3	C6641	TF C	ECQ-B50V-103J	1	374721034T	<MGK, MGQ>
PCB3	C6642	TF C	ECQ-B50V-103J	1	374721034T	<MPP>
PCB3	C6642	TF C	ECQ-B50V-103J	1	374721034T	<MWO , MWT>
PCB3	C6642	TF C	ECQ-B50V-103J	1	374721034T	<MGK, MGQ>
PCB3	C6643	TF C	ECQ-B50V-103J	1	374721034T	<MPP>
PCB3	C6643	TF C	ECQ-B50V-103J	1	374721034T	<MWO , MWT>
PCB3	C6643	TF C	ECQ-B50V-103J	1	374721034T	<MGK, MGQ>

PCB3	C6644	TF C	ECQ-B50V-103J	1	374721034T	<MPP>
PCB3	C6644	TF C	ECQ-B50V-103J	1	374721034T	<MWO , MWT>
PCB3	C6644	TF C	ECQ-B50V-103J	1	374721034T	<MGK, MGQ>
PCB3	C6645	TF C	ECQ-B50V-103J	1	374721034T	<MPP>
PCB3	C6645	TF C	ECQ-B50V-103J	1	374721034T	<MWO , MWT>
PCB3	C6645	TF C	ECQ-B50V-103J	1	374721034T	<MGK, MGQ>
PCB3	C6646	TF C	ECQ-B50V-103J	1	374721034T	<MPP>
PCB3	C6646	TF C	ECQ-B50V-103J	1	374721034T	<MWO , MWT>
PCB3	C6646	TF C	ECQ-B50V-103J	1	374721034T	<MGK, MGQ>
PCB3	C6650	TF C	ECQ-B50V-102J	1	374721024T	<MPP>
PCB3	C6650	TF C	ECQ-B50V-102J	1	374721024T	<MWO , MWT>
PCB3	C6650	TF C	ECQ-B50V-102J	1	374721024T	<MGK, MGQ>
PCB3	C6651	TF C	ECQ-B50V-102J	1	374721024T	<MPP>
PCB3	C6651	TF C	ECQ-B50V-102J	1	374721024T	<MWO , MWT>
PCB3	C6651	TF C	ECQ-B50V-102J	1	374721024T	<MGK, MGQ>
PCB3	C6652	TF C	ECQ-B50V-102J	1	374721024T	<MPP>
PCB3	C6652	TF C	ECQ-B50V-102J	1	374721024T	<MWO , MWT>
PCB3	C6652	TF C	ECQ-B50V-102J	1	374721024T	<MGK, MGQ>
PCB3	C6653	TF C	ECQ-B50V-102J	1	374721024T	<MPP>
PCB3	C6653	TF C	ECQ-B50V-102J	1	374721024T	<MWO , MWT>
PCB3	C6653	TF C	ECQ-B50V-102J	1	374721024T	<MGK, MGQ>
PCB3	C6654	TF C	ECQ-B50V-102J	1	374721024T	<MPP>
PCB3	C6654	TF C	ECQ-B50V-102J	1	374721024T	<MWO , MWT>
PCB3	C6654	TF C	ECQ-B50V-102J	1	374721024T	<MGK, MGQ>
PCB3	C6655	TF C	ECQ-B50V-102J	1	374721024T	<MPP>
PCB3	C6655	TF C	ECQ-B50V-102J	1	374721024T	<MWO , MWT>
PCB3	C6655	TF C	ECQ-B50V-102J	1	374721024T	<MGK, MGQ>
PCB3	C6656	TF C	ECQ-B50V-102J	1	374721024T	<MPP>
PCB3	C6656	TF C	ECQ-B50V-102J	1	374721024T	<MWO , MWT>
PCB3	C6656	TF C	ECQ-B50V-102J	1	374721024T	<MGK, MGQ>
PCB3	C9001	VR C	CE04W63V-470M(VR)	1	394674717S	
PCB3	C9005	UTSP C	CE04W50V 47M(UTSP)	1	397584707T	
PCB3	C9006	C-CERA C	CK725F1H-223Z1	1	332152230R1	
PCB3	C9011	VR C	CE04W16V-1000M(VR)	1	394641037S	
PCB3	C9012	TF C	ECQ-V50V-334J	1	374723344T	
PCB3	C9013	UTSP C	CE04W50V-3.3M(UTSP)	1	397580337T	
PCB3	C9022	C-CERA C	CK725F1A-105Z1	1	332181050R1	
PCB3	C9023	UTSP C	CE04W50V-10M(UTSP)	1	397581007T	
PCB3	C9024	C-CERA C	CK725F1H-223Z1	1	332152230R1	
PCB3	C9025	VR C	CE04W6.3V-470M(VR)	1	394624717T	
PCB3	C9031	VR C	CE04W16V-470M(VR)	1	394644717T	
PCB3	C9032	VR C	CE04W6.3V-470M(VR)	1	394624717T	
PCB3	C9101	VR C	CE04W16V-100M(VR)	1	394641017T	<MWO , MWT>
PCB3	C9102	VR C	CE04W16V-100M(VR)	1	394641017T	<MWO , MWT>
PCB3	R103	METAL O R	RS1WBJ-47	1	443624704T	<MDD, MDC>
PCB3	R103	METAL O R	RS1WBJ-39	1	443623904T	<MPP>
PCB3	R103	METAL O R	RS1WBJ-47	1	443624704T	<MWO , MWT>
PCB3	R103	METAL O R	RS1WBJ-47	1	443624704T	<MGK, MGQ>
PCB3	R104	C-CARBON R	RN72K1J-000JE	1	435030004R1	<MPP>
PCB3	R105	C-CARBON R	RN72K1J-103JE	1	435031034R1	
PCB3	R106	C-CARBON R	RN72K1J-000JE	1	435030004R1	<MDD, MDC>

PCB3	R106	C-CARBON R	RN72K1J-000JE	1	435030004R1	<MWO , MWT>
PCB3	R106	C-CARBON R	RN72K1J-000JE	1	435030004R1	<MGK, MGQ>
PCB3	R107	C-CARBON R	RN72K1J-000JE	1	435030004R1	<MDD, MDC>
PCB3	R107	C-CARBON R	RN72K1J-000JE	1	435030004R1	<MWO , MWT>
PCB3	R107	C-CARBON R	RN72K1J-000JE	1	435030004R1	<MGK, MGQ>
PCB3	R108	C-CARBON R	RN72K1J-105JE	1	435031054R1	
PCB3	R131	C-CARBON R	RN72K1J-750JE	1	435037504R1	
PCB3	R132	C-CARBON R	RN72K1J-750JE	1	435037504R1	
PCB3	R133	C-CARBON R	RN72K1J-100JE	1	435031004R1	
PCB3	R134	C-CARBON R	RN72K1J-100JE	1	435031004R1	
PCB3	R135	C-CARBON R	RN72K1J-224JE	1	435032244R1	
PCB3	R136	C-CARBON R	RN72K1J-224JE	1	435032244R1	
PCB3	R137	C-CARBON R	RN72K1J-103JE	1	435031034R1	
PCB3	R138	C-CARBON R	RN72K1J-103JE	1	435031034R1	
PCB3	R141	C-CARBON R	RN72K1J-470JE	1	435034704R1	
PCB3	R142	C-CARBON R	RN72K1J-470JE	1	435034704R1	
PCB3	R171	C-CARBON R	RN72K1J-105JE	1	435031054R1	
PCB3	R172	C-CARBON R	RN72K1J-470JE	1	435034704R1	
PCB3	R173	C-CARBON R	RN72K1J-470JE	1	435034704R1	
PCB3	R200	C-CARBON R	RN72K1J-103JE	1	435031034R1	
PCB3	R201	C-CARBON R	RN72K1J-103JE	1	435031034R1	
PCB3	R202	C-CARBON R	RN72K1J-103JE	1	435031034R1	
PCB3	R203	C-CARBON R	RN72K1J-103JE	1	435031034R1	
PCB3	R204	C-CARBON R	RN72K1J-103JE	1	435031034R1	
PCB3	R205	C-CARBON R	RN72K1J-103JE	1	435031034R1	
PCB3	R206	C-CARBON R	RN72K1J-331JE	1	435033314R1	
PCB3	R207	C-CARBON R	RN72K1J-331JE	1	435033314R1	
PCB3	R208	C-CARBON R	RN72K1J-103JE	1	435031034R1	
PCB3	R209	C-CARBON R	RN72K1J-103JE	1	435031034R1	
PCB3	R221	C-CARBON R	RN72K1J-470JE	1	435034704R1	
PCB3	R250	C-CARBON R	RN72K1J-331JE	1	435033314R1	
PCB3	R251	C-CARBON R	RN72K1J-331JE	1	435033314R1	
PCB3	R252	C-CARBON R	RN72K1J-331JE	1	435033314R1	
PCB3	R253	C-CARBON R	RN72K1J-470JE	1	435034704R1	
PCB3	R254	C-CARBON R	RN72K1J-470JE	1	435034704R1	
PCB3	R255	C-CARBON R	RN72K1J-470JE	1	435034704R1	
PCB3	R256	C-CARBON R	RN72K1J-470JE	1	435034704R1	
PCB3	R257	C-CARBON R	RN72K1J-470JE	1	435034704R1	
PCB3	R258	C-CARBON R	RN72K1J-103JE	1	435031034R1	
PCB3	R259	C-CARBON R	RN72K1J-331JE	1	435033314R1	
PCB3	R260	C-CARBON R	RN72K1J-470JE	1	435034704R1	
PCB3	R261	C-CARBON R	RN72K1J-470JE	1	435034704R1	
PCB3	R262	C-CARBON R	RN72K1J-103JE	1	435031034R1	
PCB3	R263	C-CARBON R	RN72K1J-103JE	1	435031034R1	
PCB3	R264	C-CARBON R	RN72K1J-103JE	1	435031034R1	
PCB3	R265	C-CARBON R	RN72K1J-331JE	1	435033314R1	
PCB3	R266	C-CARBON R	RN72K1J-331JE	1	435033314R1	
PCB3	R267	C-CARBON R	RN72K1J-331JE	1	435033314R1	
PCB3	R268	C-CARBON R	RN72K1J-103JE	1	435031034R1	
PCB3	R269	C-CARBON R	RN72K1J-331JE	1	435033314R1	
PCB3	R278	C-CARBON R	RN72K1J-103JE	1	435031034R1	

PCB3	R279	C-CARBON R	RN72K1J-103JE	1	435031034R1
PCB3	R280	C-CARBON R	RN72K1J-103JE	1	435031034R1
PCB3	R281	C-CARBON R	RN72K1J-103JE	1	435031034R1
PCB3	R282	C-CARBON R	RN72K1J-103JE	1	435031034R1
PCB3	R283	C-CARBON R	RN72K1J-103JE	1	435031034R1
PCB3	R284	C-CARBON R	RN72K1J-103JE	1	435031034R1
PCB3	R285	C-CARBON R	RN72K1J-103JE	1	435031034R1
PCB3	R286	C-CARBON R	RN72K1J-103JE	1	435031034R1
PCB3	R287	C-CARBON R	RN72K1J-331JE	1	435033314R1
PCB3	R301	C-CARBON R	RN72K1J-470JE	1	435034704R1
PCB3	R302	C-CARBON R	RN72K1J-470JE	1	435034704R1
PCB3	R303	C-CARBON R	RN72K1J-470JE	1	435034704R1
PCB3	R304	C-CARBON R	RN72K1J-221JE	1	435032214R1
PCB3	R305	C-CARBON R	RN72K1J-470JE	1	435034704R1
PCB3	R306	C-CARBON R	RN72K1J-221JE	1	435032214R1
PCB3	R307	C-CARBON R	RN72K1J-221JE	1	435032214R1
PCB3	R308	C-CARBON R	RN72K1J-470JE	1	435034704R1
PCB3	R309	C-CARBON R	RN72K1J-221JE	1	435032214R1
PCB3	R311	C-CARBON R	RN72K1J-272JE	1	435032724R1
PCB3	R312	C-CARBON R	RN72K1J-470JE	1	435034704R1
PCB3	R314	C-CARBON R	RN72K1J-470JE	1	435034704R1
PCB3	R315	C-CARBON R	RN72K1J-470JE	1	435034704R1
PCB3	R316	C-CARBON R	RN72K1J-470JE	1	435034704R1
PCB3	R317	C-CARBON R	RN72K1J-470JE	1	435034704R1
PCB3	R318	C-CARBON R	RN72K1J-470JE	1	435034704R1
PCB3	R319	C-CARBON R	RN72K1J-470JE	1	435034704R1
PCB3	R321	C-CARBON R	RN72K1J-560JE	1	435035604R1
PCB3	R322	C-CARBON R	RN72K1J-560JE	1	435035604R1
PCB3	R323	C-CARBON R	RN72K1J-560JE	1	435035604R1
PCB3	R324	C-CARBON R	RN72K1J-560JE	1	435035604R1
PCB3	R325	C-CARBON R	RN72K1J-392JE	1	435033924R1
PCB3	R326	C-CARBON R	RN72K1J-392JE	1	435033924R1
PCB3	R333	C-CARBON R	RN72K1J-331JE	1	435033314R1
PCB3	R334	C-CARBON R	RN72K1J-331JE	1	435033314R1
PCB3	R336	C-CARBON R	RN72K1J-331JE	1	435033314R1
PCB3	R337	C-CARBON R	RN72K1J-331JE	1	435033314R1
PCB3	R341	C-CARBON R	RN72K1J-103JE	1	435031034R1
PCB3	R342	C-CARBON R	RN72K1J-103JE	1	435031034R1
PCB3	R351	C-CARBON R	RN72K1J-103JE	1	435031034R1
PCB3	R352	C-CARBON R	RN72K1J-103JE	1	435031034R1
PCB3	R401	C-CARBON R	RN72K1J-332JE	1	435033324R1
PCB3	R402	C-CARBON R	RN72K1J-332JE	1	435033324R1
PCB3	R403	C-CARBON R	RN72K1J-332JE	1	435033324R1
PCB3	R404	C-CARBON R	RN72K1J-332JE	1	435033324R1
PCB3	R405	C-CARBON R	RN72K1J-332JE	1	435033324R1
PCB3	R406	C-CARBON R	RN72K1J-332JE	1	435033324R1
PCB3	R407	C-CARBON R	RN72K1J-332JE	1	435033324R1
PCB3	R408	C-CARBON R	RN72K1J-332JE	1	435033324R1
PCB3	R411	C-CARBON R	RN72K1J-332JE	1	435033324R1
PCB3	R412	C-CARBON R	RN72K1J-332JE	1	435033324R1
PCB3	R413	C-CARBON R	RN72K1J-332JE	1	435033324R1

PCB3	R477	C-CARBON R	RN72K1J-181JE	1	435031814R1	
PCB3	R478	C-CARBON R	RN72K1J-181JE	1	435031814R1	
PCB3	R571	C-CARBON R	RN72K1J-000JE	1	435030004R1	
PCB3	R572	C-CARBON R	RN72K1J-000JE	1	435030004R1	
PCB3	R591	METAL O R	RS1/2WBJ-22	1	443522204T	
PCB3	R592	METAL O R	RS1/2WBJ-22	1	443522204T	
PCB3	R600	C-CARBON R	RN72K1J-103JE	1	435031034R1	
PCB3	R601	C-CARBON R	RN72K1J-473JE	1	435034734R1	
PCB3	R602	C-CARBON R	RN72K1J-222JE	1	435032224R1	
PCB3	R603	C-CARBON R	RN72K1J-222JE	1	435032224R1	
PCB3	R605	C-CARBON R	RN72K1J-221JE	1	435032214R1	
PCB3	R606	C-CARBON R	RN72K1J-472JE	1	435034724R1	<MDD, MDC>
PCB3	R606	C-CARBON R	RN72K1J-472JE	1	435034724R1	<MPP>
PCB3	R607	C-CARBON R	RN72K1J-472JE	1	435034724R1	<MDD, MDC>
PCB3	R607	C-CARBON R	RN72K1J-472JE	1	435034724R1	<MPP>
PCB3	R608	C-CARBON R	RN72K1J-221JE	1	435032214R1	
PCB3	R609	C-CARBON R	RN72K1J-103JE	1	435031034R1	
PCB3	R610	C-CARBON R	RN72K1J-103JE	1	435031034R1	<MDD, MDC>
PCB3	R610	C-CARBON R	RN72K1J-103JE	1	435031034R1	<MWO , MWT>
PCB3	R610	C-CARBON R	RN72K1J-103JE	1	435031034R1	<MGK, MGQ>
PCB3	R612	C-CARBON R	RN72K1J-102JE	1	435031024R1	<MPP>
PCB3	R613	C-CARBON R	RN72K1J-221JE	1	435032214R1	
PCB3	R614	C-CARBON R	RN72K1J-105JE	1	435031054R1	
PCB3	R615	C-CARBON R	RN72K1J-103JE	1	435031034R1	
PCB3	R616	C-CARBON R	RN72K1J-103JE	1	435031034R1	
PCB3	R617	C-CARBON R	RN72K1J-103JE	1	435031034R1	
PCB3	R618	C-CARBON R	RN72K1J-221JE	1	435032214R1	
PCB3	R619	C-CARBON R	RN72K1J-102JE	1	435031024R1	<MPP>
PCB3	R622	C-CARBON R	RN72K1J-221JE	1	435032214R1	
PCB3	R623	C-CARBON R	RN72K1J-221JE	1	435032214R1	
PCB3	R624	C-CARBON R	RN72K1J-221JE	1	435032214R1	
PCB3	R625	C-CARBON R	RN72K1J-221JE	1	435032214R1	
PCB3	R626	C-CARBON R	RN72K1J-221JE	1	435032214R1	
PCB3	R627	C-CARBON R	RN72K1J-221JE	1	435032214R1	
PCB3	R628	C-CARBON R	RN72K1J-470JE	1	435034704R1	
PCB3	R629	C-CARBON R	RN72K1J-470JE	1	435034704R1	
PCB3	R630	C-CARBON R	RN72K1J-103JE	1	435031034R1	<MDD, MDC>
PCB3	R630	C-CARBON R	RN72K1J-103JE	1	435031034R1	<MWO , MWT>
PCB3	R630	C-CARBON R	RN72K1J-103JE	1	435031034R1	<MGK, MGQ>
PCB3	R631	C-CARBON R	RN72K1J-222JE	1	435032224R1	
PCB3	R632	C-CARBON R	RN72K1J-222JE	1	435032224R1	
PCB3	R633	C-CARBON R	RN72K1J-103JE	1	435031034R1	
PCB3	R634	C-CARBON R	RN72K1J-103JE	1	435031034R1	
PCB3	R635	C-CARBON R	RN72K1J-103JE	1	435031034R1	
PCB3	R636	C-CARBON R	RN72K1J-103JE	1	435031034R1	
PCB3	R637	C-CARBON R	RN72K1J-103JE	1	435031034R1	
PCB3	R638	C-CARBON R	RN72K1J-470JE	1	435034704R1	
PCB3	R639	C-CARBON R	RN72K1J-470JE	1	435034704R1	
PCB3	R640	C-CARBON R	RN72K1J-470JE	1	435034704R1	
PCB3	R641	C-CARBON R	RN72K1J-470JE	1	435034704R1	
PCB3	R646	C-CARBON R	RN72K1J-103JE	1	435031034R1	

PCB3	R647	C-CARBON R	RN72K1J-103JE	1	435031034R1	
PCB3	R648	C-CARBON R	RN72K1J-221JE	1	435032214R1	
PCB3	R649	C-CARBON R	RN72K1J-103JE	1	435031034R1	
PCB3	R650	C-CARBON R	RN72K1J-221JE	1	435032214R1	
PCB3	R651	C-CARBON R	RN72K1J-221JE	1	435032214R1	
PCB3	R652	C-CARBON R	RN72K1J-221JE	1	435032214R1	
PCB3	R653	C-CARBON R	RN72K1J-221JE	1	435032214R1	
PCB3	R654	C-CARBON R	RN72K1J-103JE	1	435031034R1	
PCB3	R655	C-CARBON R	RN72K1J-221JE	1	435032214R1	<MWO , MWT>
PCB3	R656	C-CARBON R	RN72K1J-221JE	1	435032214R1	<MWO , MWT>
PCB3	R658	C-CARBON R	RN72K1J-470JE	1	435034704R1	
PCB3	R659	C-CARBON R	RN72K1J-470JE	1	435034704R1	
PCB3	R661	C-CARBON R	RN72K1J-221JE	1	435032214R1	
PCB3	R662	C-CARBON R	RN72K1J-221JE	1	435032214R1	
PCB3	R663	C-CARBON R	RN72K1J-221JE	1	435032214R1	
PCB3	R666	C-CARBON R	RN72K1J-221JE	1	435032214R1	
PCB3	R667	C-CARBON R	RN72K1J-224JE	1	435032244R1	
PCB3	R668	C-CARBON R	RN72K1J-221JE	1	435032214R1	
PCB3	R669	C-CARBON R	RN72K1J-221JE	1	435032214R1	
PCB3	R670	C-CARBON R	RN72K1J-221JE	1	435032214R1	
PCB3	R671	C-CARBON R	RN72K1J-473JE	1	435034734R1	
PCB3	R672	C-CARBON R	RN72K1J-221JE	1	435032214R1	<MDD, MDC>
PCB3	R672	C-CARBON R	RN72K1J-221JE	1	435032214R1	<MPP>
PCB3	R673	C-CARBON R	RN72K1J-221JE	1	435032214R1	
PCB3	R674	C-CARBON R	RN72K1J-102JE	1	435031024R1	
PCB3	R675	C-CARBON R	RN72K1J-102JE	1	435031024R1	
PCB3	R676	C-CARBON R	RN72K1J-102JE	1	435031024R1	
PCB3	R677	C-CARBON R	RN72K1J-102JE	1	435031024R1	
PCB3	R678	C-CARBON R	RN72K1J-103JE	1	435031034R1	
PCB3	R679	C-CARBON R	RN72K1J-273JE	1	435032734R1	
PCB3	R680	C-CARBON R	RN72K1J-273JE	1	435032734R1	
PCB3	R682	C-CARBON R	RN72K1J-103JE	1	435031034R1	
PCB3	R683	C-CARBON R	RN72K1J-103JE	1	435031034R1	
PCB3	R684	C-CARBON R	RN72K1J-470JE	1	435034704R1	
PCB3	R685	C-CARBON R	RN72K1J-221JE	1	435032214R1	
PCB3	R686	C-CARBON R	RN72K1J-221JE	1	435032214R1	
PCB3	R687	C-CARBON R	RN72K1J-221JE	1	435032214R1	
PCB3	R688	C-CARBON R	RN72K1J-221JE	1	435032214R1	
PCB3	R689	C-CARBON R	RN72K1J-102JE	1	435031024R1	
PCB3	R690	C-CARBON R	RN72K1J-221JE	1	435032214R1	
PCB3	R691	C-CARBON R	RN72K1J-472JE	1	435034724R1	
PCB3	R692	C-CARBON R	RN72K1J-472JE	1	435034724R1	
PCB3	R693	C-CARBON R	RN72K1J-472JE	1	435034724R1	
PCB3	R694	C-CARBON R	RN72K1J-472JE	1	435034724R1	
PCB3	R695	C-CARBON R	RN72K1J-472JE	1	435034724R1	
PCB3	R696	C-CARBON R	RN72K1J-472JE	1	435034724R1	
PCB3	R697	C-CARBON R	RN72K1J-103JE	1	435031034R1	
PCB3	R698	C-CARBON R	RN72K1J-272JE	1	435032724R1	
PCB3	R699	C-CARBON R	RN72K1J-272JE	1	435032724R1	
PCB3	R700	C-CARBON R	RN72K1J-272JE	1	435032724R1	
PCB3	R701	C-CARBON R	RN72K1J-272JE	1	435032724R1	

PCB3	R702	C-CARBON R	RN72K1J-103JE	1	435031034R1	
PCB3	R703	C-CARBON R	RN72K1J-333JE	1	435033334R1	<MDD, MDC>
PCB3	R703	C-CARBON R	RN72K1J-103JE	1	435031034R1	<MPP>
PCB3	R703	C-CARBON R	RN72K1J-103JE	1	435031034R1	<MWO , MWT>
PCB3	R703	C-CARBON R	RN72K1J-103JE	1	435031034R1	<MGK, MGQ>
PCB3	R704	C-CARBON R	RN72K1J-103JE	1	435031034R1	<MPP>
PCB3	R704	C-CARBON R	RN72K1J-103JE	1	435031034R1	<MWO , MWT>
PCB3	R704	C-CARBON R	RN72K1J-103JE	1	435031034R1	<MGK, MGQ>
PCB3	R705	C-CARBON R	RN72K1J-103JE	1	435031034R1	<MWO , MWT>
PCB3	R705	C-CARBON R	RN72K1J-103JE	1	435031034R1	<MGK, MGQ>
PCB3	R706	C-CARBON R	RN72K1J-333JE	1	435033334R1	<MPP>
PCB3	R706	C-CARBON R	RN72K1J-333JE	1	435033334R1	<MWO , MWT>
PCB3	R706	C-CARBON R	RN72K1J-333JE	1	435033334R1	<MGK, MGQ>
PCB3	R707	C-CARBON R	RN72K1J-000JE	1	435030004R1	<MDD, MDC>
PCB3	R707	C-CARBON R	RN72K1J-103JE	1	435031034R1	<MPP>
PCB3	R707	C-CARBON R	RN72K1J-103JE	1	435031034R1	<MWO , MWT>
PCB3	R707	C-CARBON R	RN72K1J-103JE	1	435031034R1	<MGK, MGQ>
PCB3	R708	C-CARBON R	RN72K1J-000JE	1	435030004R1	<MDD, MDC>
PCB3	R708	C-CARBON R	RN72K1J-000JE	1	435030004R1	<MPP>
PCB3	R709	C-CARBON R	RN72K1J-000JE	1	435030004R1	<MDD, MDC>
PCB3	R709	C-CARBON R	RN72K1J-103JE	1	435031034R1	<MPP>
PCB3	R709	C-CARBON R	RN72K1J-103JE	1	435031034R1	<MWO , MWT>
PCB3	R709	C-CARBON R	RN72K1J-103JE	1	435031034R1	<MGK, MGQ>
PCB3	R710	C-CARBON R	RN72K1J-472JE	1	435034724R1	<MDD, MDC>
PCB3	R710	C-CARBON R	RN72K1J-103JE	1	435031034R1	<MPP>
PCB3	R711	C-CARBON R	RN72K1J-470JE	1	435034704R1	
PCB3	R712	C-CARBON R	RN72K1J-102JE	1	435031024R1	
PCB3	R713	C-CARBON R	RN72K1J-222JE	1	435032224R1	
PCB3	R714	C-CARBON R	RN72K1J-103JE	1	435031034R1	
PCB3	R715	C-CARBON R	RN72K1J-000JE	1	435030004R1	
PCB3	R716	C-CARBON R	RN72K1J-000JE	1	435030004R1	
PCB3	R717	C-CARBON R	RN72K1J-000JE	1	435030004R1	
PCB3	R718	C-CARBON R	RN72K1J-000JE	1	435030004R1	
PCB3	R732	C-CARBON R	RN72K1J-102JE	1	435031024R1	
PCB3	R741	C-CARBON R	RN72K1J-102JE	1	435031024R1	
PCB3	R742	C-CARBON R	RN72K1J-682JE	1	435036824R1	
PCB3	R743	C-CARBON R	RN72K1J-682JE	1	435036824R1	
PCB3	R744	C-CARBON R	RN72K1J-000JE	1	435030004R1	
PCB3	R745	C-CARBON R	RN72K1J-393JE	1	435033934R1	
PCB3	R746	C-CARBON R	RN72K1J-393JE	1	435033934R1	
PCB3	R747	C-CARBON R	RN72K1J-333JE	1	435033334R1	
PCB3	R748	METAL R	RNU1/2WCJ-2.2	1	43530224T	
PCB3	R749	C-CARBON R	RN72K1J-392JE	1	435033924R1	
PCB3	R4136	C-CARBON R	RN72K1J-330JE	1	435033304R1	
PCB3	R4001	C-CARBON R	RN72K1J-750JE	1	435037504R1	
PCB3	R4002	C-CARBON R	RN72K1J-750JE	1	435037504R1	
PCB3	R4003	C-CARBON R	RN72K1J-750JE	1	435037504R1	
PCB3	R4004	C-CARBON R	RN72K1J-750JE	1	435037504R1	
PCB3	R4005	C-CARBON R	RN72K1J-750JE	1	435037504R1	
PCB3	R4006	C-CARBON R	RN72K1J-750JE	1	435037504R1	
PCB3	R4007	C-CARBON R	RN72K1J-750JE	1	435037504R1	

PCB3	R4008	C-CARBON R	RN72K1J-750JE	1	435037504R1	
PCB3	R4009	C-CARBON R	RN72K1J-750JE	1	435037504R1	
PCB3	R4016	C-CARBON R	RN72K1J-750JE	1	435037504R1	
PCB3	R4017	C-CARBON R	RN72K1J-750JE	1	435037504R1	
PCB3	R4018	C-CARBON R	RN72K1J-750JE	1	435037504R1	
PCB3	R4019	C-CARBON R	RN72K1J-750JE	1	435037504R1	
PCB3	R4020	C-CARBON R	RN72K1J-750JE	1	435037504R1	
PCB3	R4021	C-CARBON R	RN72K1J-750JE	1	435037504R1	
PCB3	R4022	C-CARBON R	RN72K1J-750JE	1	435037504R1	
PCB3	R4023	C-CARBON R	RN72K1J-750JE	1	435037504R1	
PCB3	R4024	C-CARBON R	RN72K1J-750JE	1	435037504R1	
PCB3	R4025	C-CARBON R	RN72K1J-750JE	1	435037504R1	
PCB3	R4026	C-CARBON R	RN72K1J-750JE	1	435037504R1	
PCB3	R4027	C-CARBON R	RN72K1J-750JE	1	435037504R1	
PCB3	R4028	C-CARBON R	RN72K1J-750JE	1	435037504R1	
PCB3	R4029	C-CARBON R	RN72K1J-750JE	1	435037504R1	
PCB3	R4030	C-CARBON R	RN72K1J-750JE	1	435037504R1	
PCB3	R4150	C-CARBON R	RN72K1J-000JE	1	435030004R1	
PCB3	R4151	C-CARBON R	RN72K1J-000JE	1	435030004R1	
PCB3	R4152	C-CARBON R	RN72K1J-000JE	1	435030004R1	
PCB3	R4153	C-CARBON R	RN72K1J-000JE	1	435030004R1	
PCB3	R4154	C-CARBON R	RN72K1J-000JE	1	435030004R1	
PCB3	R4155	C-CARBON R	RN72K1J-000JE	1	435030004R1	
PCB3	R4156	C-CARBON R	RN72K1J-000JE	1	435030004R1	
PCB3	R4157	C-CARBON R	RN72K1J-000JE	1	435030004R1	
PCB3	R4158	C-CARBON R	RN72K1J-000JE	1	435030004R1	
PCB3	R4160	C-CARBON R	RN72K1J-750JE	1	435037504R1	
PCB3	R4161	C-CARBON R	RN72K1J-750JE	1	435037504R1	
PCB3	R4162	C-CARBON R	RN72K1J-750JE	1	435037504R1	
PCB3	R4201	C-CARBON R	RN72K1J-750JE	1	435037504R1	
PCB3	R4202	C-CARBON R	RN72K1J-750JE	1	435037504R1	
PCB3	R4203	C-CARBON R	RN72K1J-750JE	1	435037504R1	
PCB3	R4204	C-CARBON R	RN72K1J-104JE	1	435031044R1	
PCB3	R4205	C-CARBON R	RN72K1J-104JE	1	435031044R1	
PCB3	R4206	C-CARBON R	RN72K1J-104JE	1	435031044R1	
PCB3	R4210	C-CARBON R	RN72K1J-104JE	1	435031044R1	
PCB3	R4211	C-CARBON R	RN72K1J-104JE	1	435031044R1	
PCB3	R4212	C-CARBON R	RN72K1J-104JE	1	435031044R1	
PCB3	R4213	C-CARBON R	RN72K1J-104JE	1	435031044R1	
PCB3	R4214	C-CARBON R	RN72K1J-104JE	1	435031044R1	
PCB3	R4215	C-CARBON R	RN72K1J-104JE	1	435031044R1	
PCB3	R6600	CARBON R	R16J-22	1	417342204T	<MPP>
PCB3	R6600	CARBON R	R16J-22	1	417342204T	<MWO , MWT>
PCB3	R6600	CARBON R	R16J-22	1	417342204T	<MGK, MGQ>
PCB3	R6601	CARBON R	R16J-22	1	417342204T	<MPP>
PCB3	R6601	CARBON R	R16J-22	1	417342204T	<MWO , MWT>
PCB3	R6601	CARBON R	R16J-22	1	417342204T	<MGK, MGQ>
PCB3	R6602	CARBON R	R16J-22	1	417342204T	<MPP>
PCB3	R6602	CARBON R	R16J-22	1	417342204T	<MWO , MWT>
PCB3	R6602	CARBON R	R16J-22	1	417342204T	<MGK, MGQ>
PCB3	R6603	CARBON R	R16J-22	1	417342204T	<MPP>

PCB3	R6603	CARBON R	R16J-22	1	417342204T	<MWO , MWT>
PCB3	R6603	CARBON R	R16J-22	1	417342204T	<MGK, MGQ>
PCB3	R6604	CARBON R	R16J-22	1	417342204T	<MPP>
PCB3	R6604	CARBON R	R16J-22	1	417342204T	<MWO , MWT>
PCB3	R6604	CARBON R	R16J-22	1	417342204T	<MGK, MGQ>
PCB3	R6605	CARBON R	R16J-22	1	417342204T	<MPP>
PCB3	R6605	CARBON R	R16J-22	1	417342204T	<MWO , MWT>
PCB3	R6605	CARBON R	R16J-22	1	417342204T	<MGK, MGQ>
PCB3	R6606	CARBON R	R16J-22	1	417342204T	<MPP>
PCB3	R6606	CARBON R	R16J-22	1	417342204T	<MWO , MWT>
PCB3	R6606	CARBON R	R16J-22	1	417342204T	<MGK, MGQ>
PCB3	R6610	CARBON R	R16J-22	1	417342204T	<MPP>
PCB3	R6610	CARBON R	R16J-22	1	417342204T	<MWO , MWT>
PCB3	R6610	CARBON R	R16J-22	1	417342204T	<MGK, MGQ>
PCB3	R6611	CARBON R	R16J-22	1	417342204T	<MPP>
PCB3	R6611	CARBON R	R16J-22	1	417342204T	<MWO , MWT>
PCB3	R6611	CARBON R	R16J-22	1	417342204T	<MGK, MGQ>
PCB3	R6612	CARBON R	R16J-22	1	417342204T	<MPP>
PCB3	R6612	CARBON R	R16J-22	1	417342204T	<MWO , MWT>
PCB3	R6612	CARBON R	R16J-22	1	417342204T	<MGK, MGQ>
PCB3	R6613	CARBON R	R16J-22	1	417342204T	<MPP>
PCB3	R6613	CARBON R	R16J-22	1	417342204T	<MWO , MWT>
PCB3	R6613	CARBON R	R16J-22	1	417342204T	<MGK, MGQ>
PCB3	R6614	CARBON R	R16J-22	1	417342204T	<MPP>
PCB3	R6614	CARBON R	R16J-22	1	417342204T	<MWO , MWT>
PCB3	R6614	CARBON R	R16J-22	1	417342204T	<MGK, MGQ>
PCB3	R6615	CARBON R	R16J-22	1	417342204T	<MPP>
PCB3	R6615	CARBON R	R16J-22	1	417342204T	<MWO , MWT>
PCB3	R6615	CARBON R	R16J-22	1	417342204T	<MGK, MGQ>
PCB3	R6616	CARBON R	R16J-22	1	417342204T	<MPP>
PCB3	R6616	CARBON R	R16J-22	1	417342204T	<MWO , MWT>
PCB3	R6616	CARBON R	R16J-22	1	417342204T	<MGK, MGQ>
PCB3	R6690	METAL O R	RS1/2WBJ-10	1	443521004T	
PCB3	R6691	METAL O R	RS1/2WBJ-390	1	443523914T	
PCB3	R6992	METAL O R	RS1/2WBJ-390	1	443523914T	
PCB3	R9001	METAL R	RNU2WCJ-3.3	1	452730334F	
PCB3	R9002	METAL R	RNU2WCJ-3.3	1	452730334F	
PCB3	R9003	C-CARBON R	RN72K1J-822JE	1	435038224R1	
PCB3	R9004	C-CARBON R	RN72K1J-333JE	1	435033334R1	
PCB3	R9005	METAL O R	RS1/2WBJ-220	1	443522214T	
PCB3	R9006	C-CARBON R	RN72K1J-822JE	1	435038224R1	
PCB3	R9010	METAL O R	RS1/2WBJ-82	1	443528204T	
PCB3	R9011	METAL R	RNU1/2WCJ-4.7	1	453530474T	
PCB3	R9012	C-CARBON R	RN72K1J-010JE	1	435030104R1	
PCB3	R9013	C-CARBON R	RN72K1J-010JE	1	435030104R1	
PCB3	R9014	C-CARBON R	RN72K1J-104JE	1	435031044R1	
PCB3	R9017	C-CARBON R	RN72K1J-000JE	1	435030004R1	<MPP>
PCB3	R9017	C-CARBON R	RN72K1J-000JE	1	435030004R1	<MWO , MWT>
PCB3	R9017	C-CARBON R	RN72K1J-000JE	1	435030004R1	<MGK, MGQ>
PCB3	R9018	C-CARBON R	RN72K1J-000JE	1	435030004R1	<MDD, MDC>
PCB3	R9022	C-CARBON R	RN72K1J-104JE	1	435031044R1	

PCB3	R9023	C-CARBON R	RN72K1J-682JE	1	435036824R1	
PCB3	R9024	C-CARBON R	RN72K1J-333JE	1	435033334R1	
PCB3	R9029	METAL R	RNU1/2WCJ-0.47	1	453534794T	<MDD, MDC>
PCB3	R9029	METAL R	RNU1/2WCJ-0.47	1	453534794T	<MPP>
PCB3	R9035	METAL R	RNU2WCJ-1.8	1	452730184F	
PCB3	R9036	METAL R	RNU2WCJ-1.8	1	452730184F	
PCB3	R9101	METAL O R	RS1/2WBJ-1.2K	1	443521224T	<MWO , MWT>
PCB3	R9102	METAL R	RNU1/2WCJ-4.7	1	453530474T	<MWO , MWT>
PCB3	R9103	C-CARBON R	RN72K1J-101JE	1	435031014R1	<MWO , MWT>
PCB3	R9104	METAL R	RNU1/2WCJ-4.7	1	453530474T	<MWO , MWT>
PCB3	R9105	C-CARBON R	RN72K1J-000JE	1	435030004R1	<MWO , MWT>
PCB3	R9106	C-CARBON R	RN72K1J-000JE	1	435030004R1	<MWO , MWT>
PCB3	RL6600	RELAY	NRL-2P5A-DC24-158	1	25065618	
PCB3	RL6600 or	RELAY	NRL-2P5A-DC24-129	(1)	25065563A	
PCB3	RL6602	RELAY	NRL-2P5A-DC24-158	1	25065618	
PCB3	RL6602 or	RELAY	NRL-2P5A-DC24-129	(1)	25065563A	
PCB3	RL6603	RELAY	NRL-2P5A-DC24-158	1	25065618	
PCB3	RL6603 or	RELAY	NRL-2P5A-DC24-129	(1)	25065563A	
PCB3	RL6605	RELAY	NRL-2P5A-DC24-158	1	25065618	
PCB3	RL6605 or	RELAY	NRL-2P5A-DC24-129	(1)	25065563A	
PCB3	RL6607	RELAY	NRL-2P5A-DC24-158	1	25065618	
PCB3	RL6607 or	RELAY	NRL-2P5A-DC24-129	(1)	25065563A	
PCB3	P101A	SOCKET	NSCT-13P2106	1	25052209	
PCB3	P131	PIN JACK	NPJ-2PDO0626	1	25045847	
PCB3	P131 or	PIN JACK	NPJ-2PDO445	(1)	25045640	
PCB3	P302A	SOCKET	NSCT-14P2194	1	25052297	
PCB3	P303A	SOCKET	NSCT-14P2194	1	25052297	
PCB3	P304A	SOCKET	NSCT-3P2183	1	25052286	
PCB3	P701A	SOCKET	52492-3220	1	25053224	
PCB3	P751A	SOCKET	NSCT-9P2427	1	25052530	
PCB3	P2004A	PLUG	IMSA-9163B-10G	1	25056587A	
PCB3	P2004B	SOCKET	IMSA-9163S-10A	1	25053107	
PCB3	P2005A	PLUG	IMSA-9163B-16G	1	25056588A	
PCB3	P2005B	SOCKET	IMSA-9163S-16A	1	25053108	
PCB3	P2006A	PLUG	IMSA-9163B-04G	1	25056586A	
PCB3	P2006B	SOCKET	IMSA-9163S-04A	1	25053106	
PCB3	P4001	PIN JACK	NPJ-6PDGLRGLR646	1	25045871	
PCB3	P4002	PIN JACK	NPJ-6PDGLRGLR646	1	25045871	
PCB3	P4004	PIN JACK	NPJ-10PDBY621	1	25045842	
PCB3	P4004 or	PIN JACK	NPJ-10PDBY478	(1)	25045681	
PCB3	P4005	PIN JACK	NPJ-10PDBY621	1	25045842	
PCB3	P4005 or	PIN JACK	NPJ-10PDBY478	(1)	25045681	
PCB3	P4006	PIN JACK	NPJ-5PDBY622	1	25045843	
PCB3	P4006 or	PIN JACK	NPJ-5PDBY479	(1)	25045682	
PCB3	P6601	TRM	NTM-6PDMCWRG410	1	25060482	
PCB3	P6601 or	TRM	NTM-6PDMC392	(1)	25060463	
PCB3	P6602	TRM	NTM-8PDMCNTLE411	1	25060483	
PCB3	P6602 or	TRM	NTM-8PDMC393	(1)	25060464	
PCB3	E9001	TRM(SCREW)	NEJITANSI M3	1	25065425	
PCB3	JL901B	WIRE TRAP	NPLG-5P588	1	25055626	
PCB3	JL6402B	WIRE TRAP	NPLG-3P586	1	25055624	

PCB3	JL6600B	SOCKET	NSCT-7P99	1	25050271	
PCB3	JL6603B	SOCKET	NSCT-9P101	1	25050273	
PCB3	JL6604B	SOCKET	NSCT-4P96	1	25050268	
PCB3	JL6605B	SOCKET	NSCT-5P97	1	25050269	
PCB3	JL8001	JUMPER LEAD	JL4 250 B	1	---	<MDD, MDC>, NSP
PCB3	JL8001	JUMPER LEAD	JL4 250 B	1	---	<MPP>, NSP
PCB3	JL8001A	WIRE HOL	NSCT-4P875	1	25051088	<MDD, MDC>
PCB3	JL8001A	WIRE HOL	NSCT-4P875	1	25051088	<MPP>
PCB3	JL8002	JUMPER LEAD	JL3 250 B	1	---	<MDD, MDC>, NSP
PCB3	JL8002	JUMPER LEAD	JL3 250 B	1	---	<MPP>, NSP
PCB3	JL8002A	WIRE HOL	NSCT-3P874	1	25051087	<MDD, MDC>
PCB3	JL8002A	WIRE HOL	NSCT-3P874	1	25051087	<MPP>
PCB3	JL9101B	SOCKET	NSCT-6P98	1	25050270	
PCB3	JL9102	PLUG	NPLG-2P83	1	25055099	<MWO , MWT>
PCB3	JL9103	PLUG	NPLG-2P83	1	25055099	<MWO , MWT>
PCB3	A171	TAPE	TAPE(CLOTH-16U)	(1)	29110083	

PCB4 **U14** HDMI PC BOARD (NAHDM-9199-1B)

PCB4 **<Note>**

PCB4 **U14 : <MDD>, <MDC> Only.**

CIRCUIT NO.	PART NAME	DESCRIPTION	Q'TY	PART NO. (SN)	REMARKS
PCB4	Q8001	IC	1	22242407R2	
PCB4	Q8002	IC	1	22278033DR2RH	
PCB4	Q8002 or	IC	(1)	22278033DR2NE	
PCB4	Q8002 or	IC	(1)	22278033DR2TO	
PCB4	Q8003	IC	1	22242408R2	
PCB4	Q8004	TR ARRAY	1	226066R2	
PCB4	Q8004 or	TR ARRAY	(1)	226067R2	
PCB4	Q8005	IC	1	22242323R2	
PCB4	D8001	C-DIODE	1	223266R2	
PCB4	D8001 or	DIODE	(1)	223285R2	
PCB4	D8002	C-DIODE	1	223266R2	
PCB4	D8002 or	DIODE	(1)	223285R2	
PCB4	D8003	C-DIODE	1	223266R2	
PCB4	D8003 or	DIODE	(1)	223285R2	
PCB4	D8004	ZENER D	1	224550560R2	
PCB4	D8005	C-DIODE	1	223269R2	
PCB4	D8005 or	C-DIODE	(1)	223234R2	
PCB4	D8005 or	C-DIODE	(1)	223283R2	
PCB4	D8005 or	C-DIODE	(1)	223279R2	
PCB4	D8006	C-DIODE	1	223274R2	
PCB4	L8001	CHOKE COIL	1	231364M047R2	
PCB4	L8002	CHOKE COIL	1	231364M022R2	
PCB4	L8003	CORE	1	230990R2	
PCB4	L8004	CORE	1	230990R2	
PCB4	L8005	CHOKE COIL	1	231364M047R2	
PCB4	L8006	CHOKE COIL	1	231363K470	
PCB4	L8007	CHOKE COIL	1	230949R2	
PCB4	C8001	CHIP ELECT C	1	395744717R2	
PCB4	C8002	C-CERA C	1	332181050R1	
PCB4	C8003	CHIP ELECT C	1	398142207R2	

PCB4	C8004	C-CERA C	CK725F1E-104Z1	1	332161040R1
PCB4	C8005	C-CERA C	CK725F1E-104Z1	1	332161040R1
PCB4	C8007	C-CERA C	CC725CH1H-471J1	1	342104714R1
PCB4	C8008	CHIP ELECT C	CEWT16V-470M	1	395744717R2
PCB4	C8009	CHIP ELECT C	CEWX4V-220M	1	3981G2217R2
PCB4	C8010	C-CERA C	CK725B1H-102K1	1	332101025R1
PCB4	C8011	C-CERA C	CK725F1E-104Z1	1	332161040R1
PCB4	C8012	CHIP ELECT C	CEWX4V-22M	1	3981G2207R2
PCB4	C8013	C-CERA C	CK725F1A-105Z1	1	332181050R1
PCB4	C8014	C-CERA C	CK725B1H-102K1	1	332101025R1
PCB4	C8015	C-CERA C	CK725F1A-105Z1	1	332181050R1
PCB4	C8016	C-CERA C	CK725B1H-102K1	1	332101025R1
PCB4	C8017	C-CERA C	CK725F1A-105Z1	1	332181050R1
PCB4	C8018	C-CERA C	CK725B1H-102K1	1	332101025R1
PCB4	C8019	C-CERA C	CK725F1A-105Z1	1	332181050R1
PCB4	C8020	C-CERA C	CK725B1H-102K1	1	332101025R1
PCB4	C8021	C-CERA C	CK725F1A-105Z1	1	332181050R1
PCB4	C8022	C-CERA C	CK725B1H-102K1	1	332101025R1
PCB4	C8023	C-CERA C	CK725F1A-105Z1	1	332181050R1
PCB4	C8024	C-CERA C	CK725B1H-102K1	1	332101025R1
PCB4	C8025	C-CERA C	CK725F1A-105Z1	1	332181050R1
PCB4	C8026	C-CERA C	CK725B1H-102K1	1	332101025R1
PCB4	C8027	C-CERA C	CK725F1A-105Z1	1	332181050R1
PCB4	C8028	C-CERA C	CK725B1H-102K1	1	332101025R1
PCB4	C8029	CHIP ELECT C	CEWX4V-22M	1	3981G2207R2
PCB4	C8030	C-CERA C	CK725F1A-105Z1	1	332181050R1
PCB4	C8031	C-CERA C	CK725F1E-104Z1	1	332161040R1
PCB4	C8032	C-CERA C	CK725F1A-105Z1	1	332181050R1
PCB4	C8033	C-CERA C	CK725B1H-102K1	1	332101025R1
PCB4	C8034	C-CERA C	CK725F1A-105Z1	1	332181050R1
PCB4	C8035	C-CERA C	CK725B1H-102K1	1	332101025R1
PCB4	C8036	C-CERA C	CK725F1A-105Z1	1	332181050R1
PCB4	C8037	C-CERA C	CK725B1H-102K1	1	332101025R1
PCB4	C8038	C-CERA C	CK725F1A-105Z1	1	332181050R1
PCB4	C8039	C-CERA C	CK725F1E-104Z1	1	332161040R1
PCB4	C8040	C-CERA C	CK725F1E-104Z1	1	332161040R1
PCB4	C8041	C-CERA C	CK725F1E-104Z1	1	332161040R1
PCB4	C8042	C-CERA C	CK725F1E-104Z1	1	332161040R1
PCB4	R8001	C-CARBON R	RN72K1J-103JE	1	435031034R1
PCB4	R8002	C-CARBON R	RN72K1J-562JE	1	435035624R1
PCB4	R8005	C-CARBON R	RN72K1J-103JE	1	435031034R1
PCB4	R8006	C-CARBON R	RN72K1J-103JE	1	435031034R1
PCB4	R8007	C-CARBON R	RN72K1J-103JE	1	435031034R1
PCB4	R8008	C-CARBON R	RN72K1J-102JE	1	435031024R1
PCB4	R8009	C-CARBON R	RN72K1J-182JE	1	435031824R1
PCB4	R8010	C-CARBON R	RN72K1J-102JE	1	435031024R1
PCB4	R8011	METAL R	RNU1/2WCJ-5.6	1	453530564T
PCB4	R8012	C-CARBON R	RN72K1J-000JE	1	435030004R1
PCB4	R8013	C-CARBON R	RN72K1J-000JE	1	435030004R1
PCB4	R8019	C-CARBON R	RN72K1J-000JE	1	435030004R1
PCB4	R8020	C-CARBON R	RN72K1J-103JE	1	435031034R1

PCB4	R8021	C-CARBON R	RN72K1J-102JE	1	435031024R1
PCB4	R8022	C-CARBON R	RN72K1J-102JE	1	435031024R1
PCB4	R8023	C-CARBON R	RN72K1J-000JE	1	435030004R1
PCB4	R8024	C-CARBON R	RN72K1J-000JE	1	435030004R1
PCB4	R8025	C-CARBON R	RN72K1J-000JE	1	435030004R1
PCB4	R8026	C-CARBON R	RN72K1J-000JE	1	435030004R1
PCB4	R8027	C-CARBON R	RN72K1J-472JE	1	435034724R1
PCB4	R8028	C-CARBON R	RN72K1J-472JE	1	435034724R1
PCB4	R8029	C-CARBON R	RN72K1J-472JE	1	435034724R1
PCB4	R8030	C-CARBON R	RN72K1J-103JE	1	435031034R1
PCB4	R8031	C-CARBON R	RN72K1J-103JE	1	435031034R1
PCB4	R8032	C-CARBON R	RN72K1J-152JE	1	435031524R1
PCB4	R8034	C-CARBON R	RN72K1J-152JE	1	435031524R1
PCB4	P8002	SOCKET	CSS5019-0311F	1	25053198R2
PCB4	P8003	SOCKET	CSS5019-0311F	1	25053198R2
PCB4	P8004	SOCKET	CSS5019-0311F	1	25053198R2
PCB4	JL8001B	WIRE TRAP	NPLG-4P587	1	25055625
PCB4	JL8002B	WIRE TRAP	NPLG-3P586	1	25055624

TX-SR505/505E**PACKING PROCEDURE PARTS LIST**

	REF. NO.	PART NAME	DESCRIPTION	Q'TY	PART NO. (SN)	REMARKS
PV	A601	PAD	L & R 1set	1	29092351	
PV	A603	POLY BAG	POLY BAG(850 x 650)	1	29100034-1A	
PV	A605	TAPE	(SEROHAN)NITTO NO.29	(1)	29110149	
PV	A606	PP TAPE	W48 OPP TAPE	(1)	29110148	
PV	A650	CARTON	TXSR505(B)MDD	1	29054653A	(B) <MDD>
PV	A650	CARTON	TXSR505(B)MDC	1	29054654A	(B) <MDC>
PV	A650	CARTON	TXSR505(B)MWO	1	29054655	(B) <MWO>
PV	A650	CARTON	TXSR505(S)MDC	1	29054656A	(S) <MDC>
PV	A650	CARTON	TXSR505(S)MWO	1	29054657	(S) <MWO>
PV	A650	CARTON	TXSR505(S)	1	29054738	(S) <MGK>
PV	A650	CARTON	TXSR505(G)	1	29054658	(G) <MWT>
PV	A650	CARTON	TXSR505(G)	1	29054658	(G) <MGK>
PV	A650	CARTON	TXSR505(G)	1	29054658	(G) <MGQ>
PV	A650	CARTON	TXSR505E(B)MPP	1	29054659	(B) <E MPP>
PV	A650	CARTON	TXSR505E(S)MPP	1	29054660	(S) <E MPP>
PV	A655	UPC LABEL	TX-SR505B	1	29364782	(B) <MDD>
PV	A655	UPC LABEL	TX-SR505B	1	29364782	(B) <MDC>
PV	A655	EAN LABEL	TX-SR505B	1	29364776	(B) <MWO>
PV	A655	UPC LABEL	TX-SR505S	1	29364783	(S) <MDC>
PV	A655	EAN LABEL	TX-SR505S	1	29364777	(S) <MWO>
PV	A655	EAN LABEL	TX-SR505S	1	29364777	(S) <MGK>
PV	A655	EAN LABEL	TX-SR505G	1	29364778	(G) <MGK>
PV	A655	EAN LABEL	TX-SR505G	1	29364778	(G) <MWT>
PV	A655	EAN LABEL	TX-SR505G	1	29364778	(G) <MGQ>
PV	A655	EAN LABEL	TX-SR505EB	1	29364774	(B) <E MPP>
PV	A655	EAN LABEL	TX-SR505ES	1	29364775	(S) <E MPP>
PV	A660	POLY BAG	350 x 250	1	29100097-1B	<MWO>
PV	A660	POLY BAG	350 x 250	1	29100097-1B	<MGK>

PV	A660	POLY BAG	350 x 250	1	29100097-1B	<MWT>
PV	A660	POLY BAG	350 x 250	1	29100097-1B	<MGQ>
PV	A660	POLY BAG	350 x 250	1	29100097-1B	<E MPP>
PV	A800	POLY BAG	250 x 300 x W300	1	29100218A	
PV	A801	INS MANUAL	En(TX-SR505/505E/8550/575)	1	29344406	
PV	A802	INS MANUAL	En(QSS_TX-SR575/505E)	1	29344423	<MDD>
PV	A802	INS MANUAL	En(QSS_TX-SR575/505E)	1	29344423	<MDC>
PV	A802	INS MANUAL	En(QSS_TX-SR505/8550)	1	29344407	<MWO>
PV	A802	INS MANUAL	En(QSS_TX-SR505/8550)	1	29344407	<MGK>
PV	A802	INS MANUAL	En(QSS_TX-SR505/8550)	1	29344407	<MWT>
PV	A802	INS MANUAL	En(QSS_TX-SR505/8550)	1	29344407	<MGQ>
PV	A802	INS MANUAL	En(QSS_TX-SR575/505E)	1	29344423	<E MPP>
PV	A803	INS MANUAL	Ar(TX-SR505)	1	29344426	<MWO>
PV	A804	INS MANUAL	Ct(TX-SR505)	1	29344411	<MWO>
PV	A804	INS MANUAL	Ct(TX-SR505)	1	29344411	<MWT>
PV	A804	INS MANUAL	Ct(TX-SR505)	1	29344411	<MGQ>
PV	A805	INS MANUAL	FrEs(TX-SR505/505E/575)	1	29344408	<MDC>
PV	A805	INS MANUAL	FrEs(TX-SR505/505E/575)	1	29344408	<E MPP>
PV	A806	INS MANUAL	HfDe TX-SR505E)	1	29344409	<E MPP>
PV	A807	INS MANUAL	NISv TX-SR505E)	1	29344410	<E MPP>
PV	A808	INS MANUAL	(QC Important Sheet)	1	29344267A	<MWO>
PV	A810	INS MANUAL	U9(RC-681/682/683/684)	1	29344414	
PV	A811	REMO CON	RC-681M	1	24140681	
PV	A812	BATTERY	R6/AA(UM-3)	2	3010194	
PV	A812 or	BATTERY	R6/AA(UM-3)	(2)	3010054	
PV	A813	HANDBILL	(DS-A2)US	1	29380145	<MDD>
PV	A813	HANDBILL	(DS-A2)US	1	29380145	<MDC>
PV	A813	HANDBILL	(DS-A2)EU	1	29380146	<E MPP>
PV	A814	INST SHEET	WEEE	1	29355537	<E MPP>
PV	A815	WRNTY CARD	(ONKYO)	1	29365102A	<MDD>
PV	A815	WRNTY CARD	(ONKYO)	1	29365102A	<MDC>
PV	A815	WRNTY CARD	MGQ	1	29365099	<MGQ>
PV	A816	LABEL	(SP CABLE)	1	29363059A	
PV	A820	ANT COIL	NMA-3057	1	232140	
PV	A821	FM ANT AS	Type W	1	292191	
PV	A822	MIC AS (SETUP MIC)	MIC-5000	1	1B068MIC	
PV	A823	TRM	(WRENCH)	1	25060468	
PV	A824	CV PLUG	CV-K-1	1	25056005	!, <MWO>
PV	A824	CV PLUG	CV-K-1	1	25056005	!, <MWT>
PV	A825	CV PLUG	SCP-13A-BLK(UK)	1	25056591	<MWO>

ONKYO CORPORATION

Sales & Product Planning Div. : 2-1, Nisshin-cho, Neyagawa-shi, OSAKA 572-8540, JAPAN
Tel: 072-831-8023 Fax: 072-831-8124

ONKYO U.S.A. CORPORATION

18 Park Way, Upper Saddle River, N.J. 07458, U.S.A.
Tel: 201-785-2600 Fax: 201-785-2650 <http://www.us.onkyo.com/>

ONKYO EUROPE ELECTRONICS GmbH

Liegnitzerstrasse 6, 82194 Groebenzell, GERMANY
Tel: +49-8142-4401-0 Fax: +49-8142-4401-555 <http://www.eu.onkyo.com/>

ONKYO EUROPE UK Office

Suite 1, Gregories Court, Gregories Road, Beaconsfield, Buckinghamshire, HP9 1HQ
UNITED KINGDOM Tel: +44-(0)1494-681515 Fax: +44(0)-1494-680452

ONKYO CHINA LIMITED

Units 2102-2107, Metroplaza Tower I, 223 Hing Fong Road, Kwai Chung,
N.T., HONG KONG Tel: 852-2429-3118 Fax: 852-2428-9039
<http://www.ch.onkyo.com/>