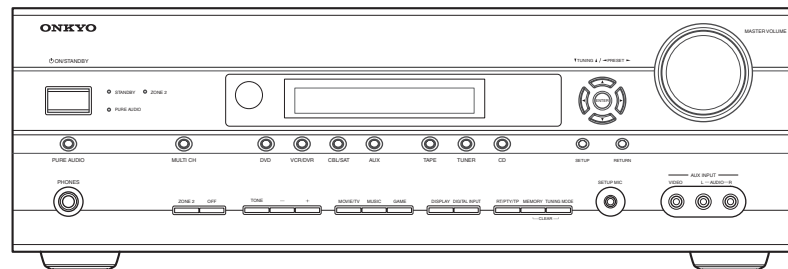


ONKYO SERVICE MANUAL

AV RECEIVER MODEL TX-SR506




RC-709M

Black, Silver and Golden models

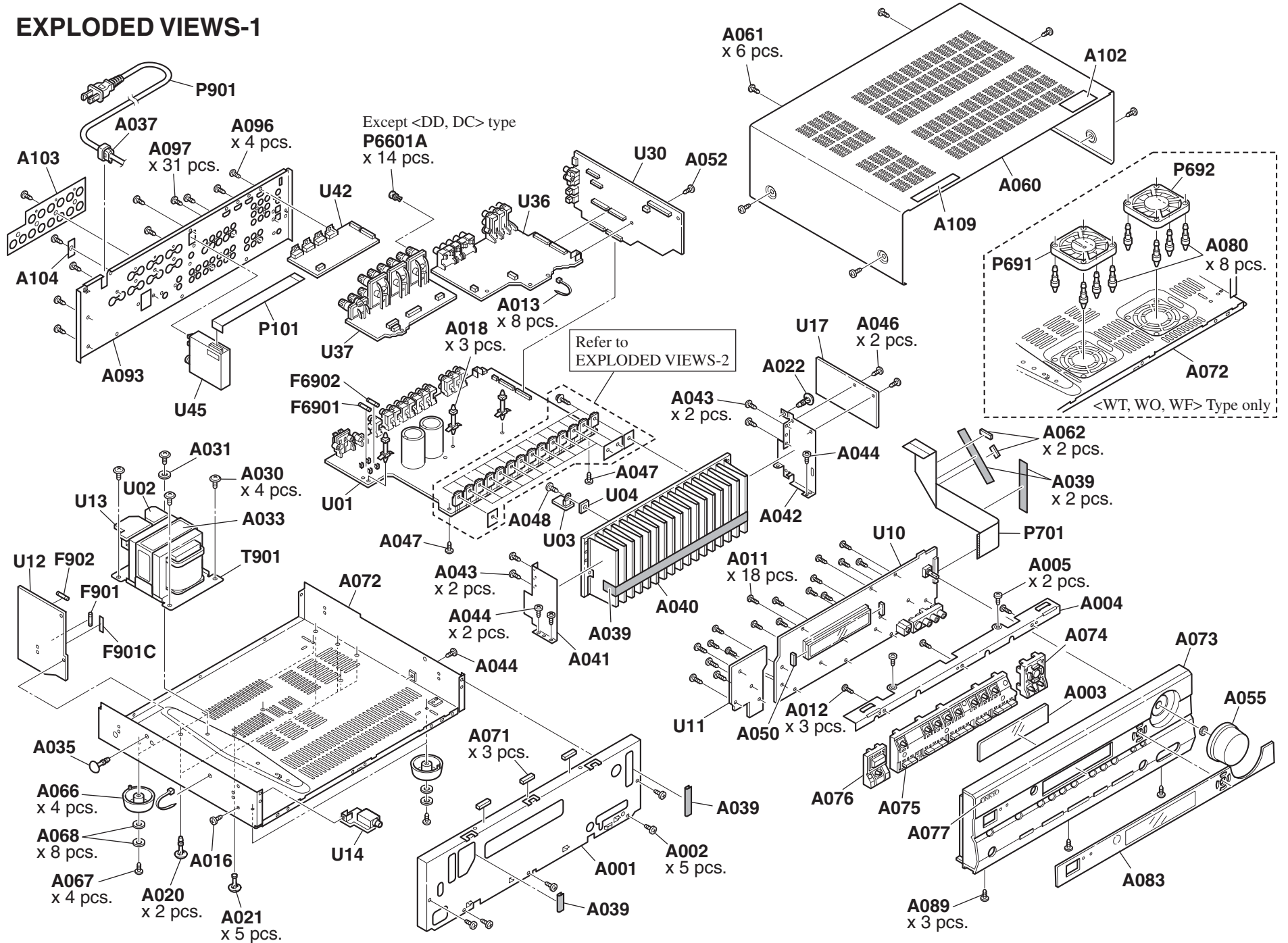
B MDD, S MDD, B MDC	120V AC, 60Hz
B MPP, S MPP, B MPB, S MPB	230V AC, 50Hz
G MGK, G MGQ, G MGR	220V AC, 50/60Hz
B MWO, S MWO, G MWT, G MWF	120/220-240V AC, 50/60Hz

SAFETY-RELATED COMPONENT WARNING!!

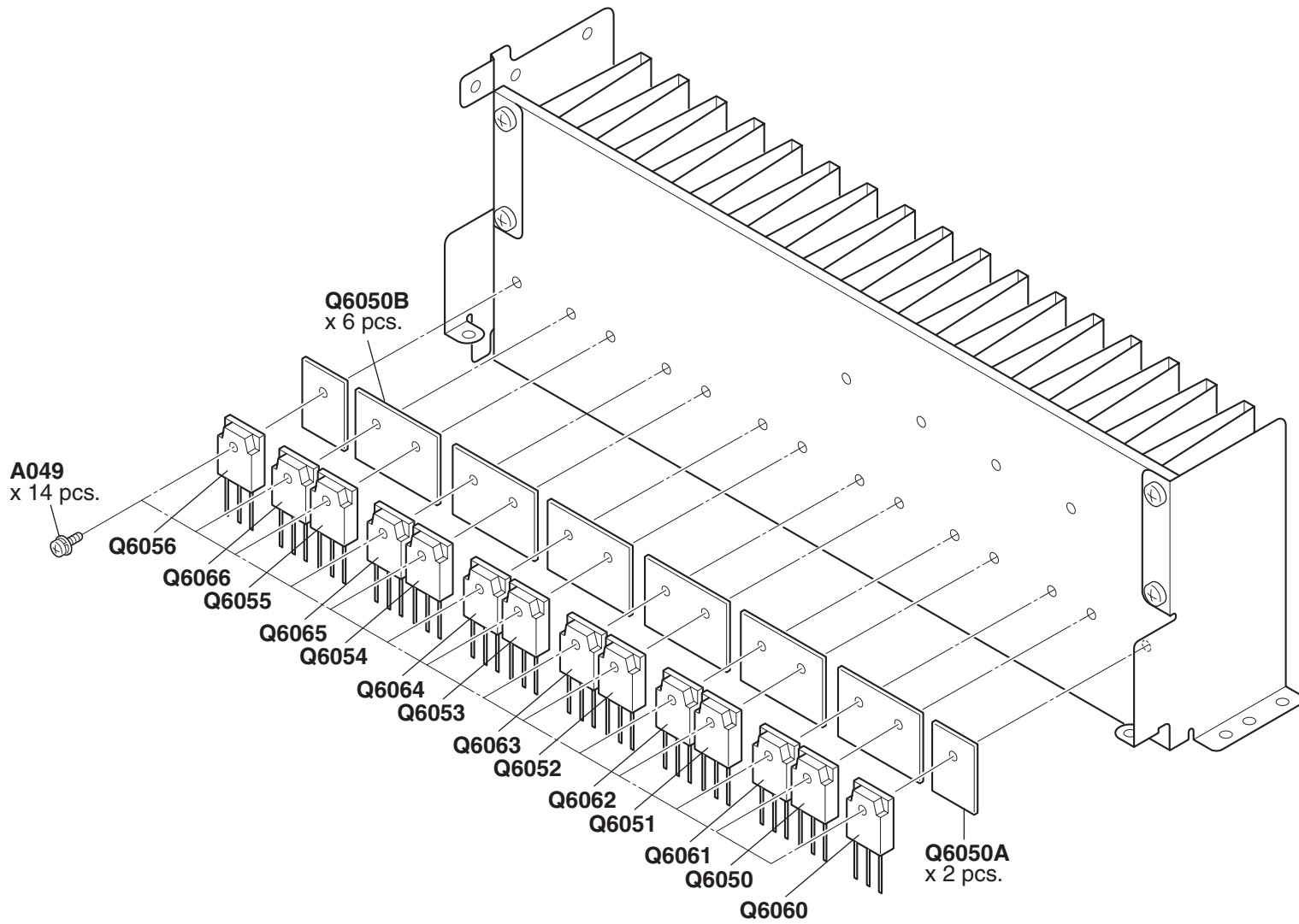
COMPONENTS IDENTIFIED BY MARK  ON THE SCHEMATIC DIAGRAM AND IN THE PARTS LIST ARE CRITICAL FOR RISK OF FIRE AND ELECTRIC SHOCK. REPLACE THESE COMPONENTS WITH ONKYO PARTS WHOSE PART NUMBERS APPEAR AS SHOWN IN THIS MANUAL.

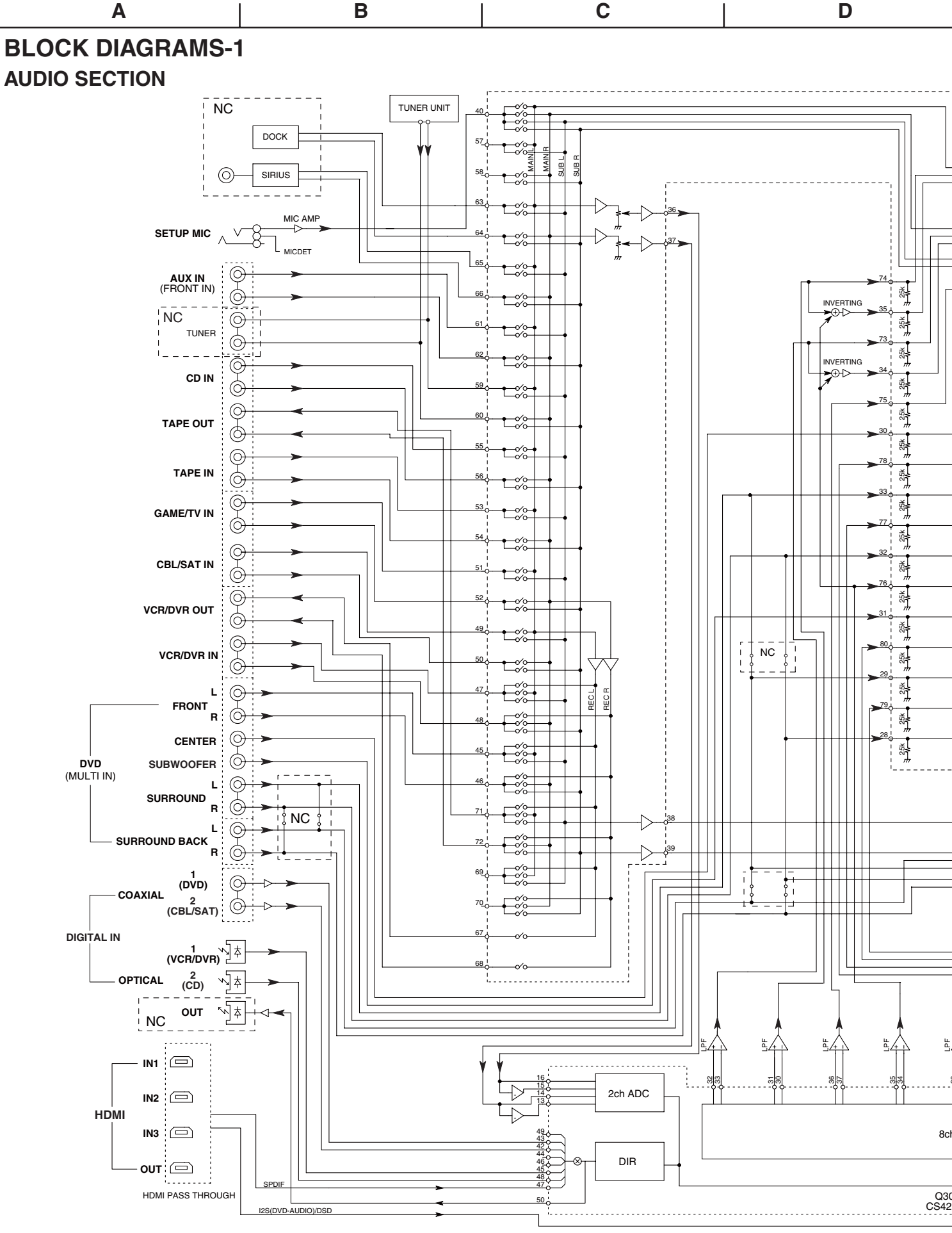
MAKE LEAKAGE-CURRENT OR RESISTANCE MEASUREMENTS TO DETERMINE THAT EXPOSED PARTS ARE ACCEPTABLY INSULATED FROM THE SUPPLY CIRCUIT BEFORE RETURNING THE APPLIANCE TO THE CUSTOMER.

EXPLODED VIEWS-1



EXPLODED VIEWS-2



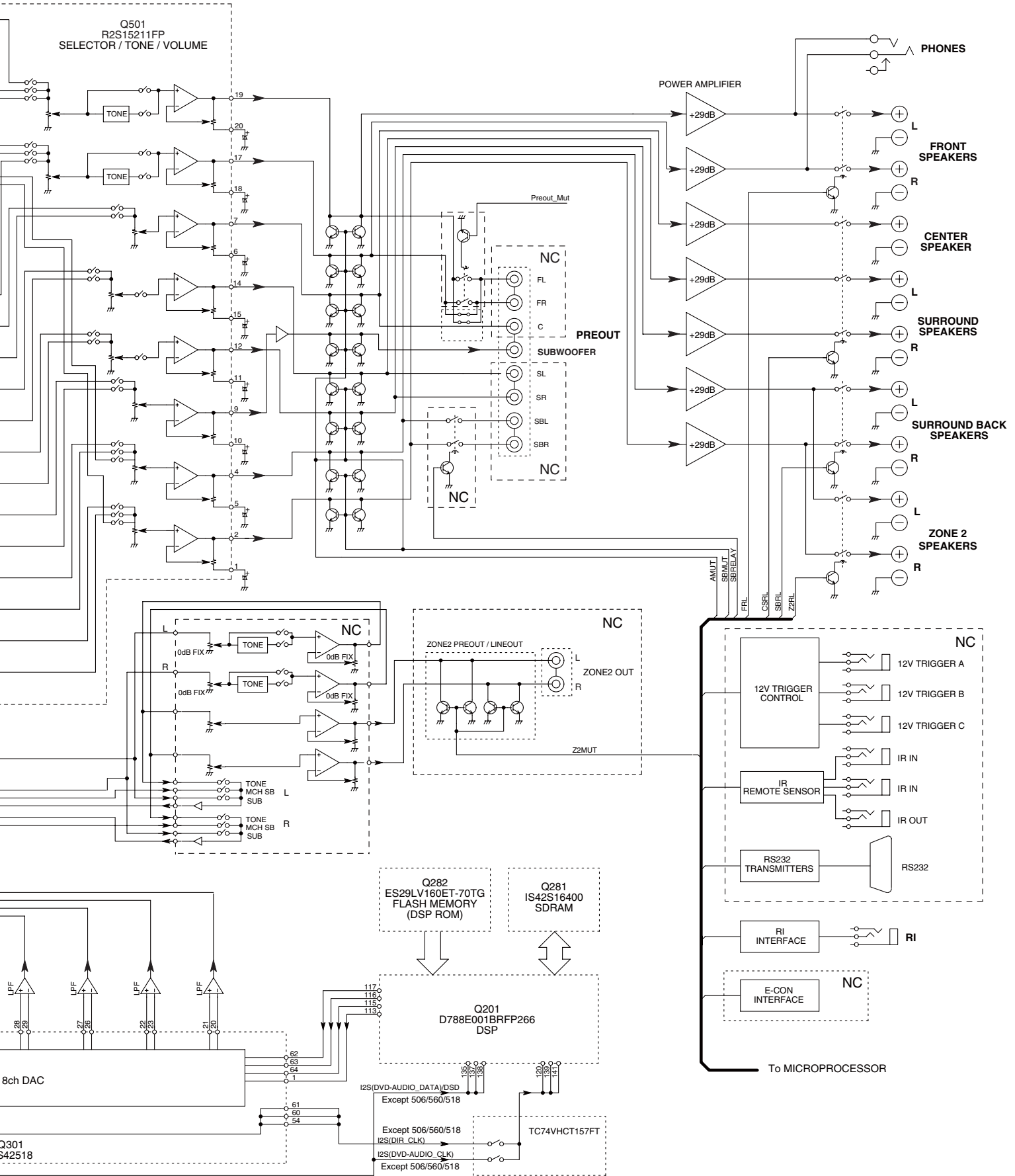


E

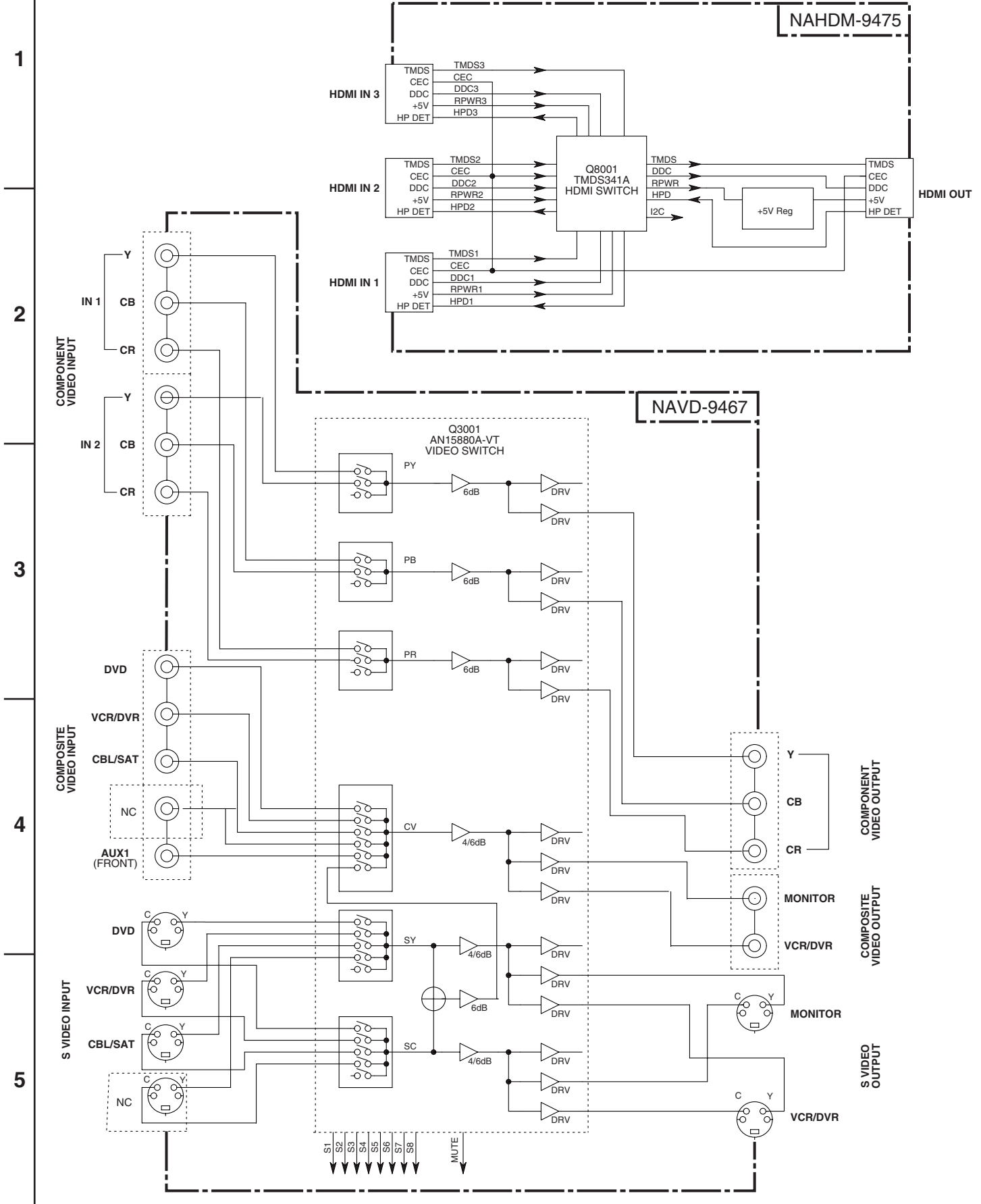
F

G

H



BLOCK DIAGRAMS-2
VIDEO / HDMI SECTION



SCHEMATIC DIAGRAMS-1 (SD-1)

AUDIO INPUT SECTION

<Note>

NC = No mount of parts.

SD-Z : XY

Location of connected terminal in schematic diagrams.

SD-Z = Schematic diagrams-Z. X = A to H, Y = 1 to 5.

MICROPROCESSOR PCB To NADG-9457 / 9462 SD-3 : A3
 MICROPROCESSOR PCB To NARF-9458 / 9463 SD-3 : A3
 MICROPROCESSOR PCB To NADG-9457 / 9462 SD-3 : A3
 MICROPROCESSOR PCB To NADG-9457 / 9462 SD-3 : A2

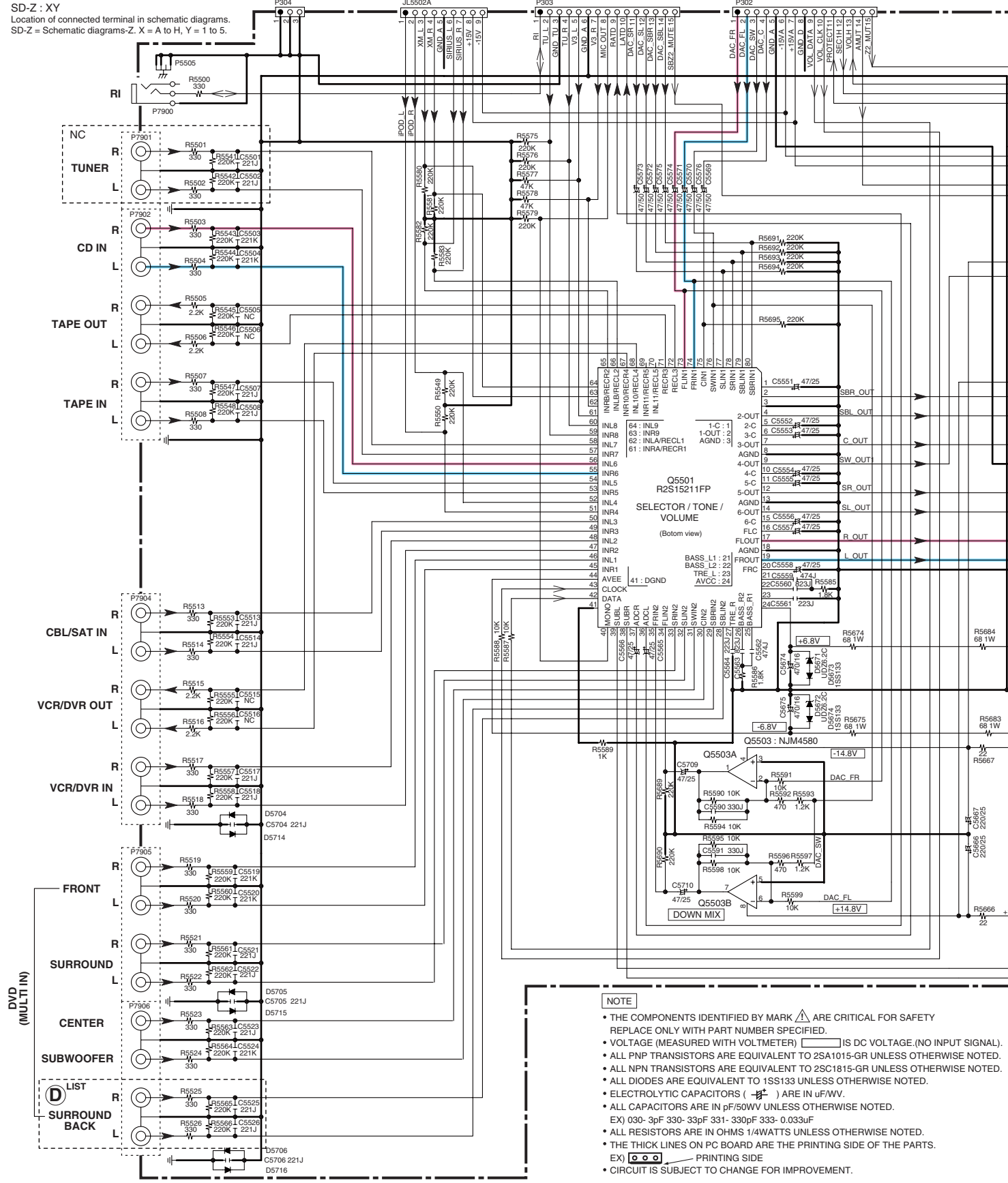
1

2

3

4

5



- NOTE**
- THE COMPONENTS IDENTIFIED BY MARK ARE CRITICAL FOR SAFETY. REPLACE ONLY WITH PART NUMBER SPECIFIED.
 - VOLTAGE (MEASURED WITH VOLTMETER) IS DC VOLTAGE. (NO INPUT SIGNAL).
 - ALL PNP TRANSISTORS ARE EQUIVALENT TO 2SA1015-GR UNLESS OTHERWISE NOTED.
 - ALL NPN TRANSISTORS ARE EQUIVALENT TO 2SC1815-GR UNLESS OTHERWISE NOTED.
 - ALL DIODES ARE EQUIVALENT TO 1SS133 UNLESS OTHERWISE NOTED.
 - ELECTROLYTIC CAPACITORS () ARE IN uF/WW.
 - ALL CAPACITORS ARE IN pF/50WV UNLESS OTHERWISE NOTED.
EX) 030-3pF 330-33pF 331-330pF 333-0.03uF
 - ALL RESISTORS ARE IN OHMS 1/4WATTS UNLESS OTHERWISE NOTED.
 - THE THICK LINES ON PC BOARD ARE THE PRINTING SIDE OF THE PARTS.
EX) PRINTING SIDE
 - CIRCUIT IS SUBJECT TO CHANGE FOR IMPROVEMENT.

CONNECTION

		TX-SR506	HT-R518	HT-R560	TX-SR576	HT-R567	HT-R667	HT-R960
P301	To NADG-	NC	NC	NC	9462	9462	9462	9462
P302_303	To NADG-	9457	9457	9457	9462	9462	9462	9462
P304	To NADG-	9457	9457	9457	9462	9462	9462	9462
JL5502A	To NARF-	NC	NC	9458	NC	9463	9463	NC

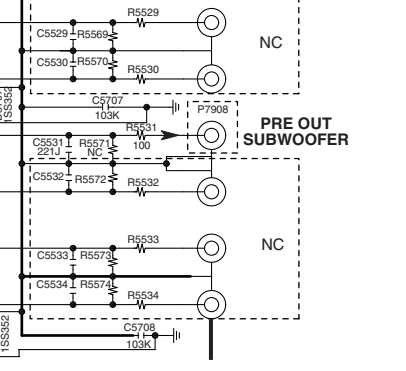
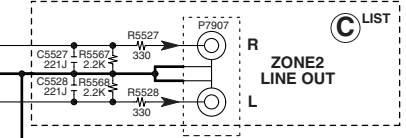
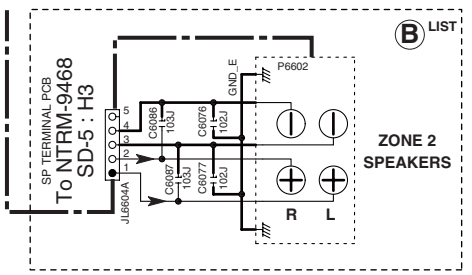
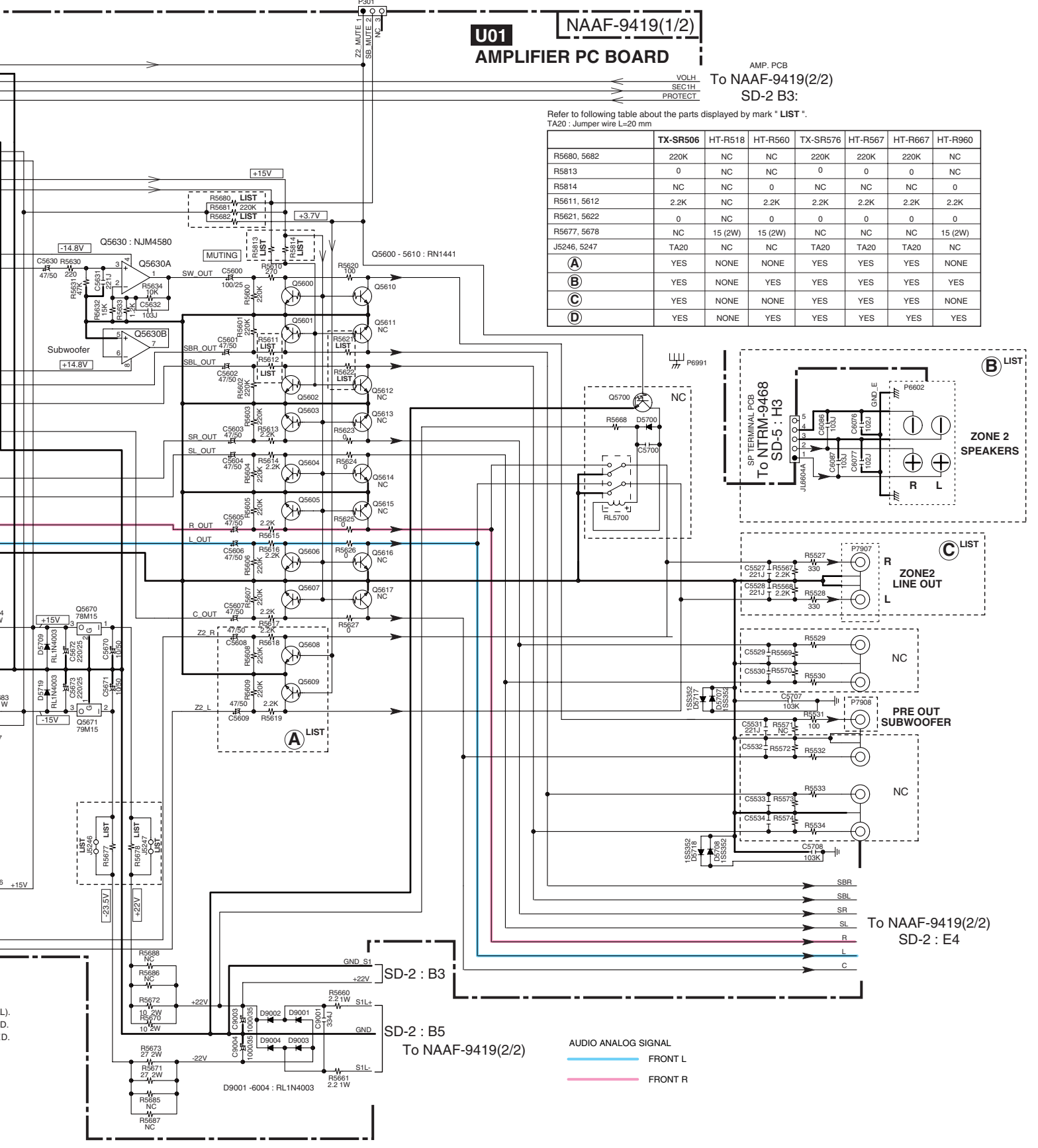
MICROPROCESSOR PCB
To NADG-9462

U01 NAAF-9419(1/2) AMPLIFIER PCB BOARD

AMP. PCB
To NAAF-9419(2/2)
SD-2 B3:

Refer to following table about the parts displayed by mark "LIST".
TA20 : Jumper wire L=20mm

	TX-SR506	HT-R518	HT-R560	TX-SR576	HT-R567	HT-R667	HT-R960
R5680, 5682	220K	NC	NC	220K	220K	220K	NC
R5813	0	NC	NC	0	0	0	NC
R5814	NC	NC	0	NC	NC	NC	0
R5611, 5612	2.2K	NC	2.2K	2.2K	2.2K	2.2K	2.2K
R5621, 5622	0	NC	0	0	0	0	0
R5677, 5678	NC	15 (2W)	15 (2W)	NC	NC	NC	15 (2W)
J5246, 5247	TA20	NC	NC	TA20	TA20	TA20	NC
(A)	YES	NONE	NONE	YES	YES	YES	NONE
(B)	YES	NONE	YES	YES	YES	YES	YES
(C)	YES	NONE	NONE	YES	YES	YES	NONE
(D)	YES	NONE	YES	YES	YES	YES	YES



To NAAF-9419(2/2)
SD-2 : E4

AUDIO ANALOG SIGNAL
— FRONT L
— FRONT R

L),
D.
D.

SCHEMATIC DIAGRAMS-2 (SD-2)

POWER AMP. SECTION

<Note>
 NC = No mount of parts.
 SD-Z : XY
 Location of connected terminal in schematic diagrams.
 SD-Z = Schematic diagrams-Z. X = A to H, Y = 1 to 5.

NAAF-9419 (2/2) U01

AMPLIFIER PC BOARD

Refer to following table about the parts displayed by mark * LIST *.

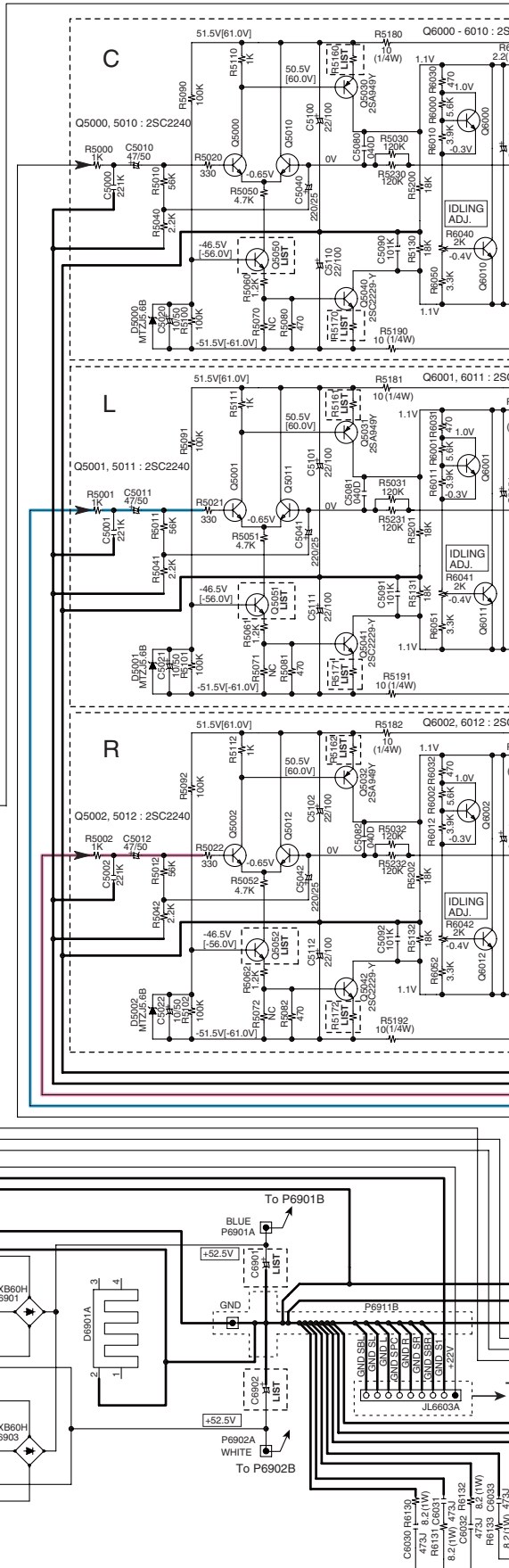
	TX-SR506			HT-R518			HT-R560			TX-SR576		HT-R567		HT-R667		HT-R960	
	DD, DC	PP, PB	IGK, IGR	WT, WO, WF	PP	DD, DC	PP	DD, DC	PP, PA	DD	DD	DD	DC	PP			
Q6050 - 52	MN130S	2SC5198	MN130S	MN130S	MN130S	MN130S	2SC5242	MN130S	2SC5198	MN130S	MN130S	MN130S	2SC5242				
Q6060 - 62	MP130S	2SA1941	MP130S	MP130S	MP130S	MP130S	2SA1962	MP130S	2SA1941	MP130S	MP130S	MP130S	2SA1962				
Q6053 - 54	MN130S	2SC5198	MN130S	MN130S	MN130S	MN130S	2SC5242	MN130S	2SC5198	MN130S	MN130S	MN130S	2SC5242				
Q6063 - 64	MP130S	2SA1941	MP130S	MP130S	MP130S	MP130S	2SA1962	MP130S	2SA1941	MP130S	MP130S	MP130S	2SA1962				
Q6055 - 56	MP130S	2SC5198	MP130S	MP130S	MP130S	MP130S	2SC5242	MP130S	2SC5198	MP130S	MP130S	MP130S	2SC5242				
Q6065 - 66	MP130S	2SA1941	MP130S	MP130S	MP130S	MP130S	2SA1962	MP130S	2SA1941	MP130S	MP130S	MP130S	2SA1962				
Q5050 - 56		2SC1815			2SC2240		2SC2240		2SC1815		2SC1815		2SC2240				
R5160 - 5166		100(1/4W)			150(1/4W)		100(1/4W)		100(1/4W)		100(1/4W)		150(1/4W)				
R5170 - 5176		100(1/4W)			150(1/4W)		150(1/4W)		100(1/4W)		100(1/4W)		150(1/4W)				
R6070 - 6076		82(1/4W)			120(1/4W)		120(1/4W)		82(1/4W)		82(1/4W)		120(1/4W)				
C6901, 6902		63V/8200u			69V/10000u		69V/10000u		63V/8200u		63V/8200u		69V/10000u				
R6710		5.6K			5.6K		4.7K		5.6K		5.6K		5.6K				

AMPLIFIER PCB SD-1 : F5
 To NAAF-9419(1/2)
 SD-1 : G1

AUDIO ANALOG SIGNAL
 FRONT L
 FRONT R

TRANS. SEC. TERMINAL PCB
 To NAPS-9420
 SD-5 : D3

AMPLIFIER PCB
 To NAAF-9419
 SD-1 : F5



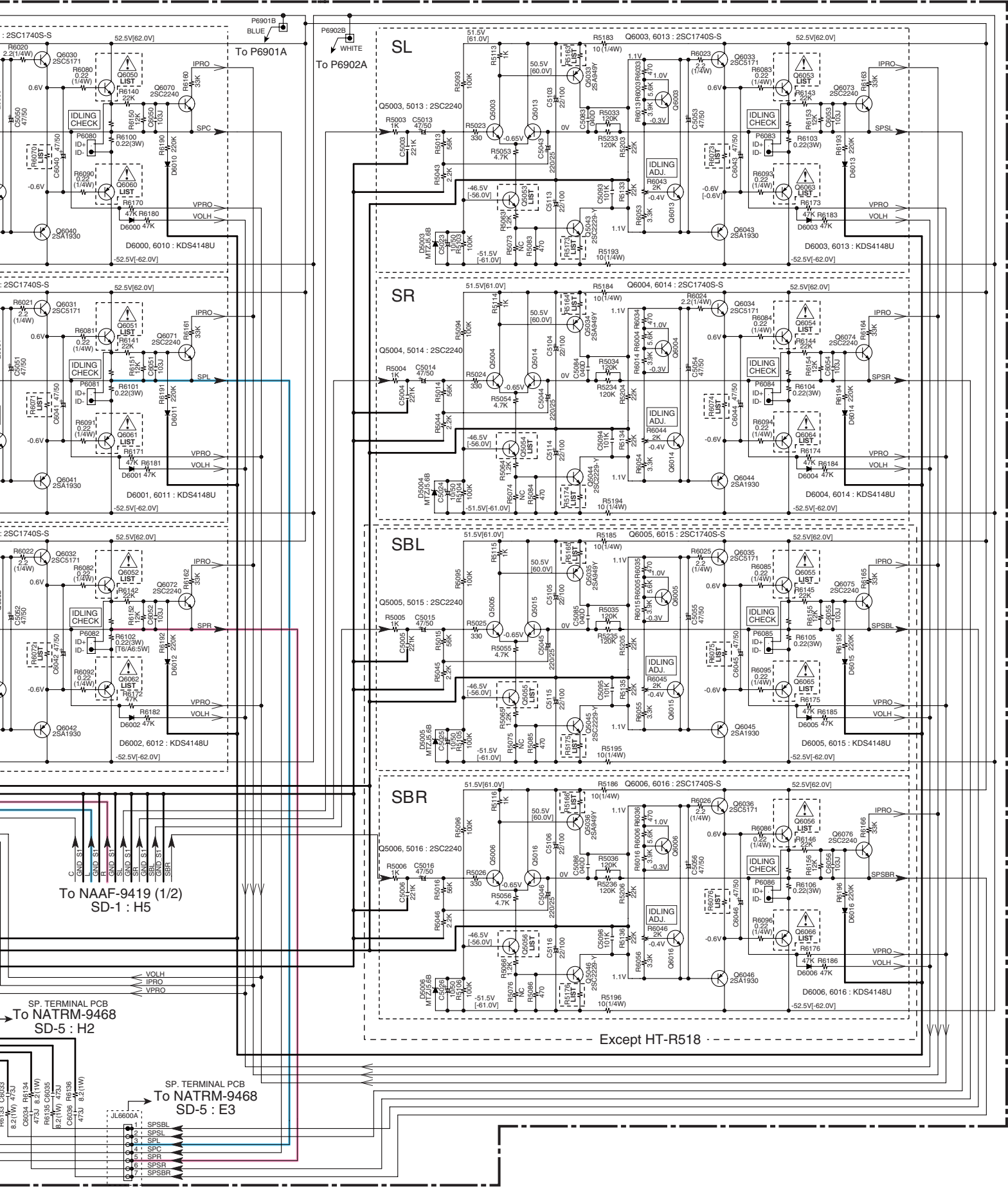
1

2

3

4

5



Except HT-R518

- 1 SPSBL
- 2 SPSL
- 3 SPL
- 4 SPC
- 5 SPSR
- 6 SPS
- 7 SPSBR

SCHEMATIC DIAGRAMS-3 (SD-3)

MICROPROCESSOR SECTION

DISPLAY PCB
To NADIS-9430
SD-6 : H1

To TUNER UNIT

VIDEO PCB
To NAVD-9467
SD-4 : H4

NAETC-9421

U03

THERMAL SENSOR PC BOARD

AMP. PCB
To NAAF-9419 (1/2)
SD-1 : D1

AMP. PCB
To NAAF-9419 (1/2)
SD-1 : C1

AMP. PCB
To NAAF-9419 (1/2)
SD-1 : B1

Refer to following table about the parts displayed by mark " * " .

	TX-SR506	HT-R518	HT-R560
R103	DD, DC	PP, PB	PP
R104	10(1/2W)	4.7(1/2W)	10(1/2W)
R106, 107	0	NC	0
R610	10K	2.2K	10K
R611	0	NC	NC
R612, 619	NC	1K	NC
R628, 629	NC	NC	NC
R630	10K	NC	10K
R631	NC	2.2K	NC
R632	NC	NC	NC
R635	NC	NC	NC
R642, 644	NC	NC	NC
R655	NC	NC	NC

Q401 - 404 : NJM4580M-D

Except HT-R518

LIST

(B)

Q341 : NJM4580M-D

Q341A, Q341B

Q717 : TC7WU04FU INVERTER

Q703 : S812C56AUA

Q707, Q708

Q709

Q746

Q747

Q748

Q749

Q750

Q751

Q752

Q753

Q754

Q755

Q756

Q757

Q758

Q759

Q760

Q761

Q762

Q763

Q764

Q765

Q766

Q767

Q768

Q769

Q770

Q771

Q772

Q773

Q774

Q775

Q776

Q777

Q778

Q779

Q780

Q781

Q782

Q783

Q784

Q785

Q786

Q787

Q788

Q789

Q790

Q791

Q792

Q793

Q794

Q795

Q796

Q797

Q798

Q799

Q800

Q801

Q802

Q803

Q804

Q805

Q806

Q807

Q808

Q809

Q810

Q811

Q812

Q813

Q814

Q815

Q816

Q817

Q818

Q819

Q820

Q821

Q822

Q823

Q824

Q825

Q826

Q827

Q828

Q829

Q830

Q831

Q832

Q833

Q834

Q835

Q836

Q837

Q838

Q839

Q840

Q841

Q842

Q843

Q844

Q845

Q846

Q847

Q848

Q849

Q850

Q851

Q852

Q853

Q854

Q855

Q856

Q857

Q858

Q859

Q860

Q861

Q862

Q863

Q864

Q865

Q866

Q867

Q868

Q869

Q870

Q871

Q872

Q873

Q874

Q875

Q876

Q877

Q878

Q879

Q880

Q881

Q882

Q883

Q884

Q885

Q886

Q887

Q888

Q889

Q890

Q891

Q892

Q893

Q894

Q895

Q896

Q897

Q898

Q899

Q900

Q901

Q902

Q903

Q904

Q905

Q906

Q907

Q908

Q909

Q910

Q911

Q912

Q913

Q914

Q915

Q916

Q917

Q918

Q919

Q920

Q921

Q922

Q923

Q924

Q925

Q926

Q927

Q928

Q929

Q930

Q931

Q932

Q933

Q934

Q935

Q936

Q937

Q938

Q939

Q940

Q941

Q942

Q943

Q944

Q945

Q946

Q947

Q948

Q949

Q950

Q951

Q952

Q953

Q954

Q955

Q956

Q957

Q958

Q959

Q960

Q961

Q962

Q963

Q964

Q965

Q966

Q967

Q968

Q969

Q970

Q971

Q972

Q973

Q974

Q975

Q976

Q977

Q978

Q979

Q980

Q981

Q982

Q983

Q984

Q985

Q986

Q987

Q988

Q989

Q990

Q991

Q992

Q993

Q994

Q995

Q996

Q997

Q998

Q999

Q1000

1

2

3

4

5

E

F

G

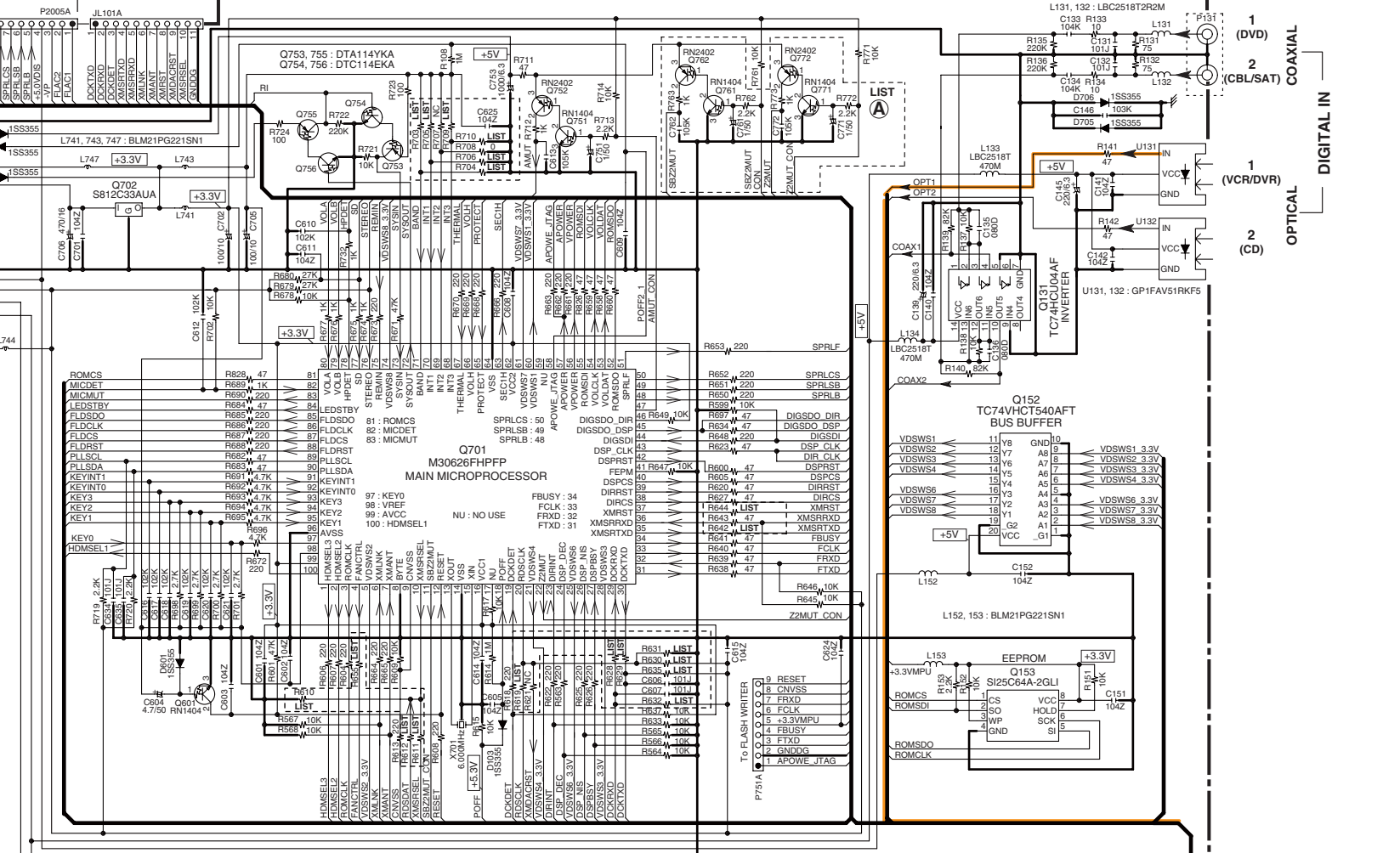
H

CONNECTION

	TX-SR506	HT-R518	HT-R560
JL101A To NARF-	NC	NC	9458

U30
MICROPROCESSOR PC BOARD

NADG-9457



Refer to following table about the parts displayed by mark 'LIST'.

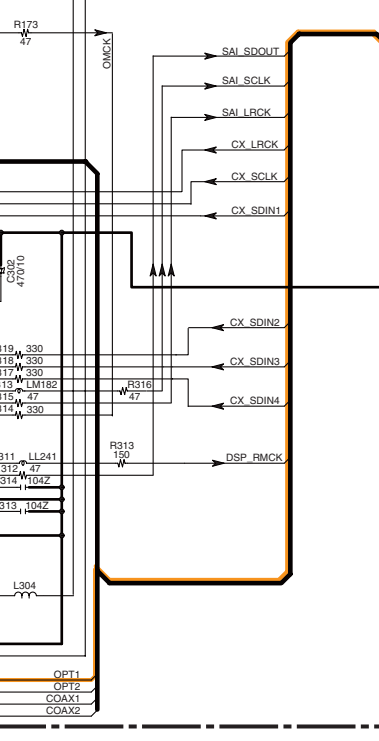
	TX-SR506		HT-R518		HT-R560		
	DD, DC	PP, PB	GK, GO, GR	WT, WO, WF	PP	DD, DC	PP
R703	NC	10K	10K	10K	10K	33K	10K
R704	0	10K	NC	NC	10K	4.7K	10K
R705	NC	10K	10K	10K	10K	10K	33K
R706	0	10K	10K	10K	33K	NC	10K
R709	NC	10K	10K	10K	33K	10K	33K
R710	0	10K	10K	10K	4.7K	NC	10K
(A)		YES			NONE		NONE
(B)		YES			NONE		YES

NOTE

- THE COMPONENTS IDENTIFIED BY MARK Δ ARE CRITICAL FOR SAFETY. REPLACE ONLY WITH PART NUMBER SPECIFIED.
- VOLTAGE (MEASURED WITH VOLTMETER) \square IS DC VOLTAGE.(NO INPUT SIGNAL).
- ALL PNP TRANSISTORS ARE EQUIVALENT TO 2SA1015-GR UNLESS OTHERWISE NOTED.
- ALL NPN TRANSISTORS ARE EQUIVALENT TO 2SC1815-GR UNLESS OTHERWISE NOTED.
- ALL DIODES ARE EQUIVALENT TO 1SS133 UNLESS OTHERWISE NOTED.
- ELECTROLYTIC CAPACITORS (---) ARE IN uF/WV.
- ALL CAPACITORS ARE IN pF/50WV UNLESS OTHERWISE NOTED.
- EX) 030- 3pF 330- 33pF 331- 330pF 333- 0.033uF
- ALL RESISTORS ARE IN OHMS 1/4WATTS UNLESS OTHERWISE NOTED.
- THE THICK LINES ON PC BOARD ARE THE PRINTING SIDE OF THE PARTS.
- EX) \square PRINTING SIDE
- CIRCUIT IS SUBJECT TO CHANGE FOR IMPROVEMENT.

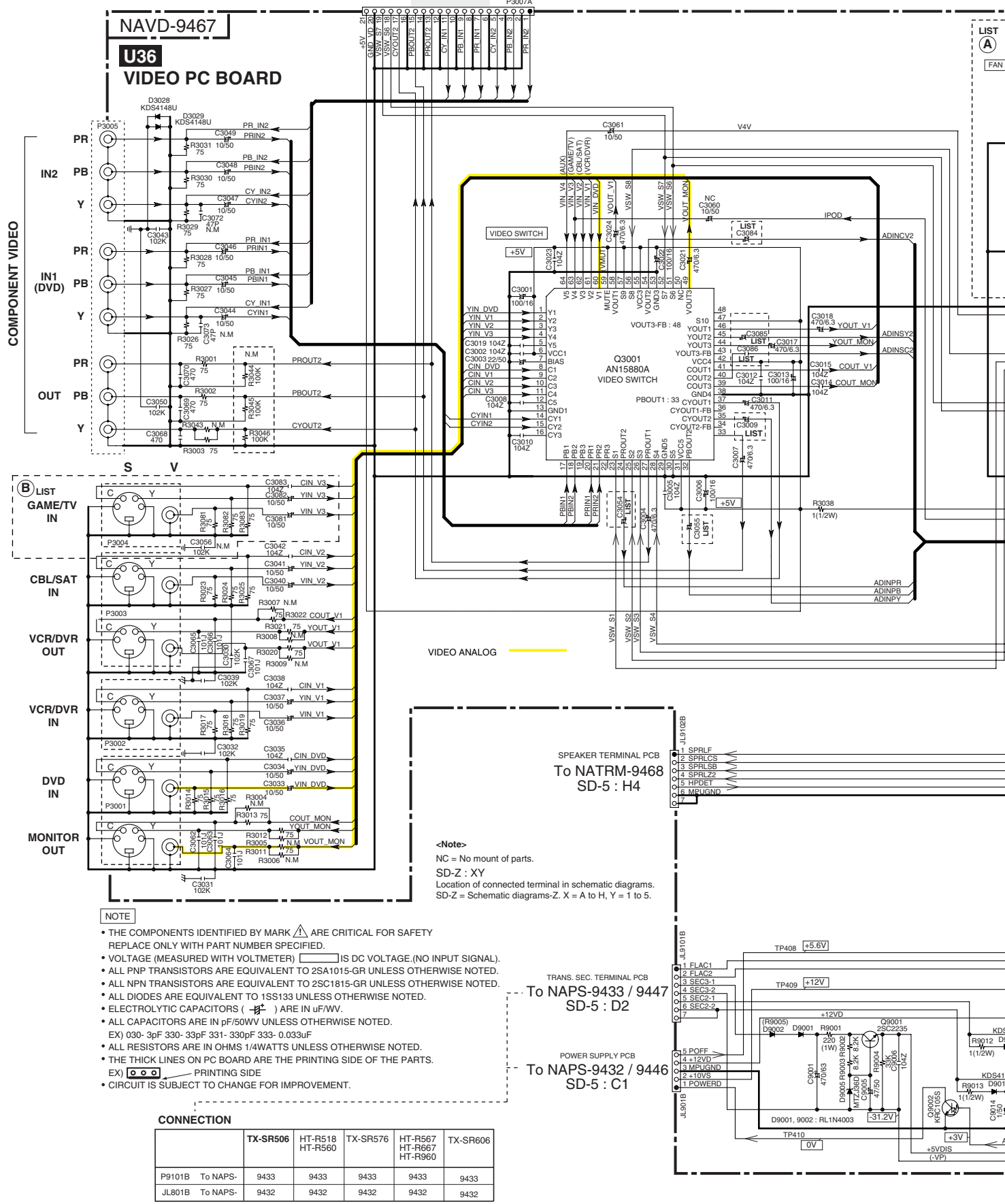
<Note>

NC = No mount of parts.
SD-Z : XY
Location of connected terminal in schematic diagrams.
SD-Z = Schematic terminal-Z. X = A to H, Y = 1 to 5.



SCHEMATIC DIAGRAMS-4 (SD-4)

VIDEO SECTION



NAVD-9467
U36
VIDEO PC BOARD

D4 TERMINAL PCB
To NAVD-9464

COMPONENT VIDEO

LIST GAME/TV IN
CBL/SAT IN
VCR/DVR OUT
VCR/DVR IN
DVD IN
MONITOR OUT

NOTE

- THE COMPONENTS IDENTIFIED BY MARK Δ ARE CRITICAL FOR SAFETY REPLACE ONLY WITH PART NUMBER SPECIFIED.
- VOLTAGE (MEASURED WITH VOLTMETER) \square IS DC VOLTAGE.(NO INPUT SIGNAL).
- ALL PNP TRANSISTORS ARE EQUIVALENT TO 2SA1015-GR UNLESS OTHERWISE NOTED.
- ALL NPN TRANSISTORS ARE EQUIVALENT TO 2SC1815-GR UNLESS OTHERWISE NOTED.
- ALL DIODES ARE EQUIVALENT TO 1SS133 UNLESS OTHERWISE NOTED.
- ELECTROLYTIC CAPACITORS ($\text{—}\text{—}\text{—}$) ARE IN uF/WW.
- ALL CAPACITORS ARE IN pF/50WV UNLESS OTHERWISE NOTED.
EX) 030- 3pF 330- 33pF 331- 330pF 333- 0.033uF
- ALL RESISTORS ARE IN OHMS 1/4WATTS UNLESS OTHERWISE NOTED.
- THE THICK LINES ON PC BOARD ARE THE PRINTING SIDE OF THE PARTS.
EX) \square — PRINTING SIDE
- CIRCUIT IS SUBJECT TO CHANGE FOR IMPROVEMENT.

CONNECTION

	TX-SR506	HT-R518 HT-R560	TX-SR576	HT-R567 HT-R667 HT-R960	TX-SR606
P9101B To NAPS-	9433	9433	9433	9433	9433
JL801B To NAPS-	9432	9432	9432	9432	9432

<Note>
NC = No mount of parts.
SD-Z : XY
Location of connected terminal in schematic diagrams.
SD-Z = Schematic diagrams-Z. X = A to H, Y = 1 to 5.

SPEAKER TERMINAL PCB
To NATRM-9468
SD-5 : H4

TRANS. SEC. TERMINAL PCB
To NAPS-9433 / 9447
SD-5 : D2

POWER SUPPLY PCB
To NAPS-9432 / 9446
SD-5 : C1

LIST A

1

2

3

4

5

E

F

G

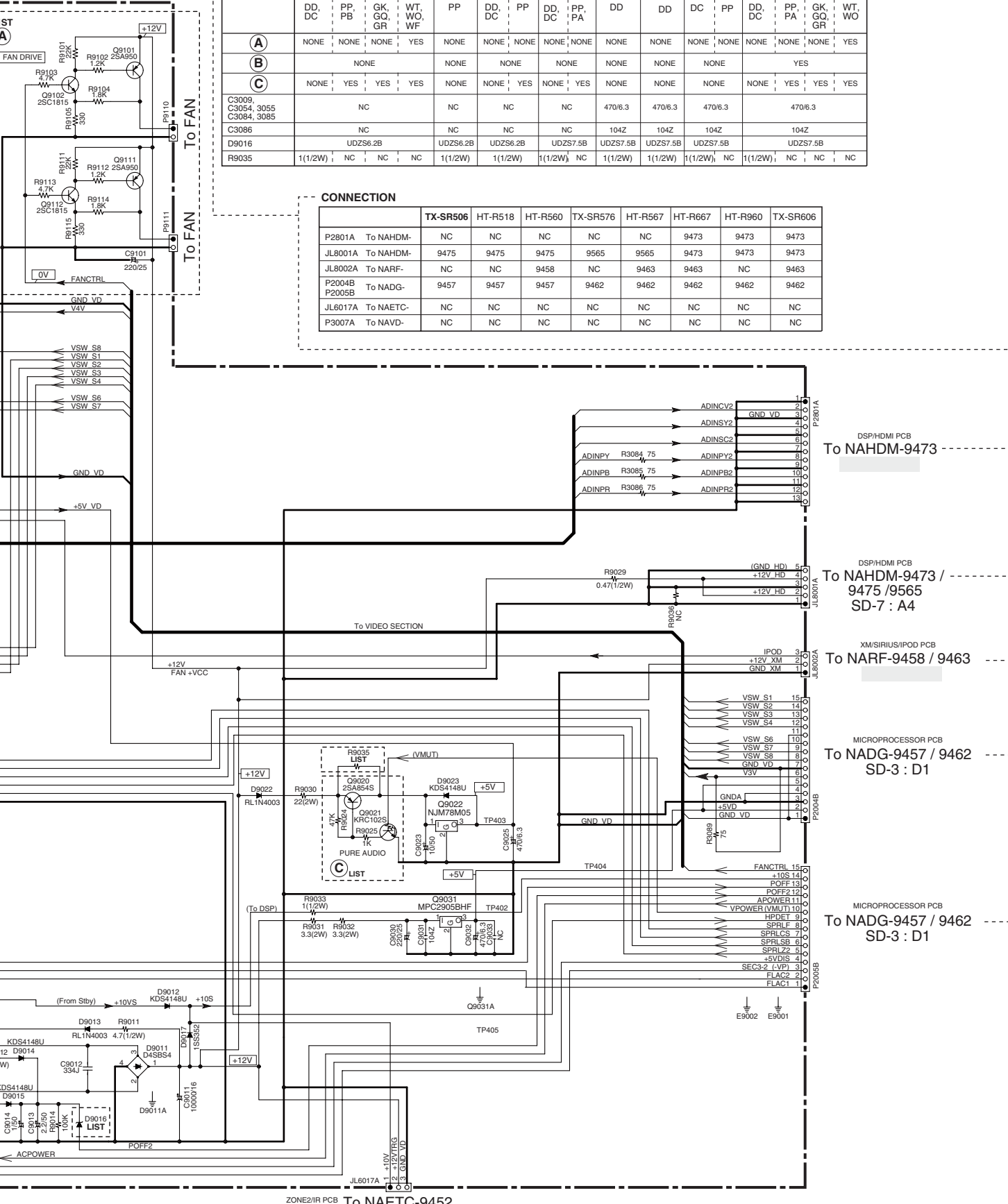
H

Refer to following table about the parts displayed by mark "LIST".

	TX-SR506				HT-R518	HT-R560	TX-SR576	HT-R567	HT-R667	HT-R960	TX-SR606				
	DD, DC	PP, PB	GK, GR	WT, WF	PP	DD, DC	PP, PA	DD	DD	DC	PP	DD, DC	PP, PA	GK, GR	WT, WO
(A)	NONE	NONE	NONE	YES	NONE	NONE	NONE	NONE	NONE	NONE	NONE	NONE	NONE	NONE	YES
(B)	NONE				NONE	NONE	NONE	NONE	NONE	NONE	NONE				YES
(C)	NONE	YES	YES	YES	NONE	NONE	YES	NONE	NONE	NONE	NONE	NONE	YES	YES	YES
C3009, C3054, 3055, C3084, 3085	NC				NC	NC	NC	470/6.3	470/6.3	470/6.3	470/6.3				
C3086	NC				NC	NC	NC	104Z	104Z	104Z	104Z				
D9016	UDZS6.2B				UDZS6.2B	UDZS6.2B	UDZS7.5B	UDZS7.5B	UDZS7.5B	UDZS7.5B	UDZS7.5B				
R9035	1(1/2W)	NC	NC	NC	1(1/2W)	1(1/2W)	1(1/2W)	NC	1(1/2W)	1(1/2W)	NC	1(1/2W)	NC	NC	NC

CONNECTION

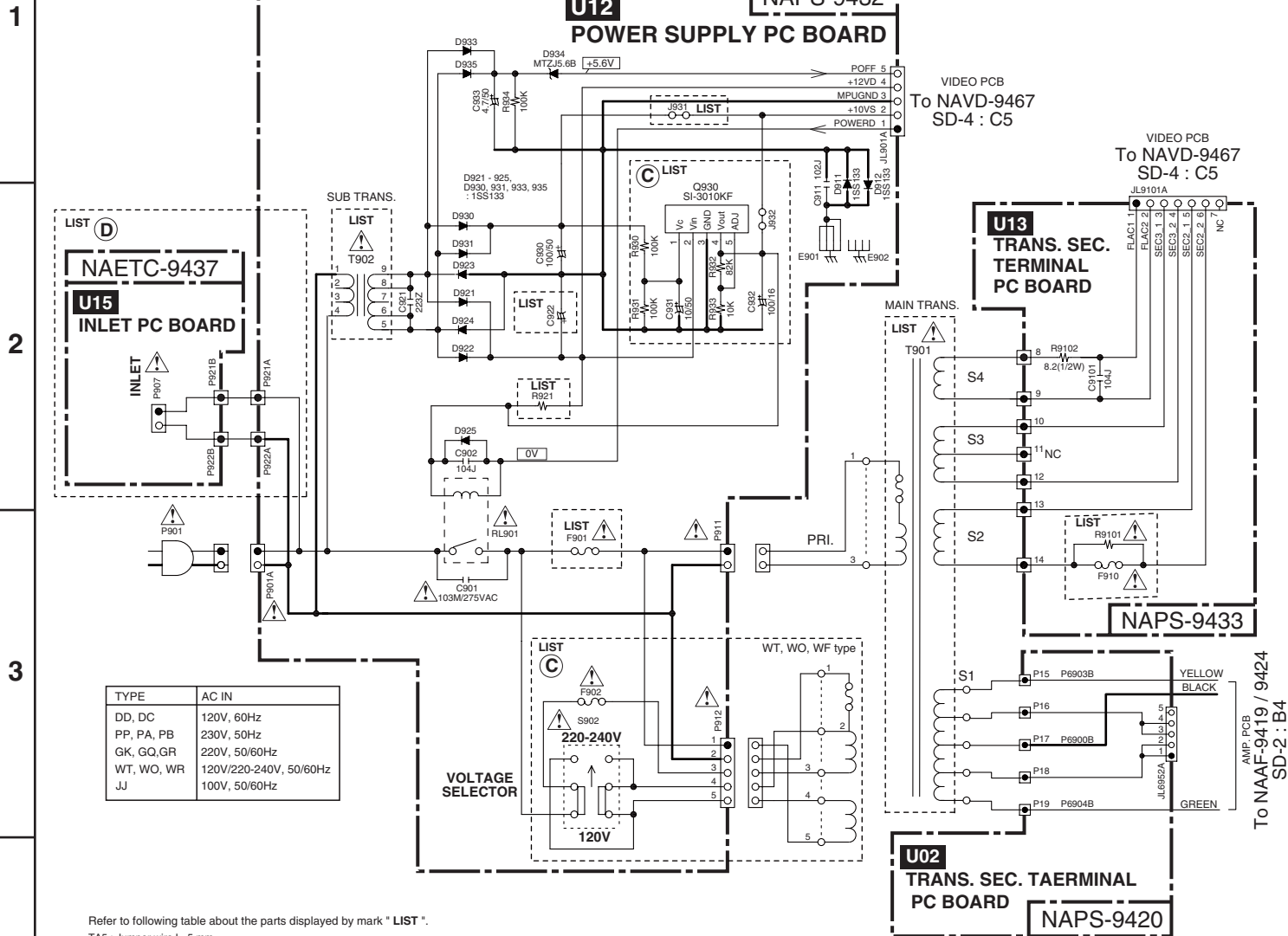
	TX-SR506	HT-R518	HT-R560	TX-SR576	HT-R567	HT-R667	HT-R960	TX-SR606
P2801A To NAHDM-	NC	NC	NC	NC	NC	9473	9473	9473
JL8001A To NAHDM-	9475	9475	9475	9565	9565	9473	9473	9473
JL8002A To NARF-	NC	NC	9458	NC	9463	9463	NC	9463
P2004B To NADG-	9457	9457	9457	9462	9462	9462	9462	9462
P2005B To NADG-	9457	9457	9457	9462	9462	9462	9462	9462
JL6017A To NAETC-	NC	NC	NC	NC	NC	NC	NC	NC
P3007A To NAVD-	NC	NC	NC	NC	NC	NC	NC	NC



ZONE2/IR PCB To NAETC-9452

SCHEMATIC DIAGRAMS-5 (SD-5)
SPEAKER TERMINAL / POWER SUPPLY SECTION

<Note>
 NC = No mount of parts.
 SD-Z : XY
 Location of connected terminal in schematic diagrams.
 SD-Z = Schematic diagrams-Z. X = A to H, Y = 1 to 5.



TYPE	AC IN
DD, DC	120V, 60Hz
PP, PA, PB	230V, 50Hz
GK, GQ, GR	220V, 50/60Hz
WT, WO, WR	120V/220-240V, 50/60Hz
JJ	100V, 50/60Hz

Refer to following table about the parts displayed by mark "LIST".
 TA5 : Jumper wire L=5 mm

	TX-SR506				HT-R518		HT-R560		TX-SR576		HT-R567		HT-R667		HT-R960		TX-SR606				TX-SA606X	
	DD, DC	PP, PB	GK, GQ, GR	WT, WO, WR	PP	DD, DC	PP	DD, DC	PP, PA	DD	DD	DC	PP	DD, DC	PP, PA	GK, GQ, GR	WT, WO	JJ				
(C)	NONE	NONE	NONE	YES	NONE	NONE	NONE	NONE	NONE	NONE	NONE	NONE	NONE	NONE	NONE	NONE	NONE	YES	NONE			
(D)	NONE				NONE	NONE		NONE		NONE	NONE	NONE	NONE				YES					
T901	NPT-1516D	1516P	1516P	1516DG	1517P	1517D	1517P	1516D	1516P	1574D	1574D	1574D	1574P	1552D	1552P	1552G	1552DG	1552J				
T902	NPT-1520JQ	1520GQ	1520GQ	1520JQ	1520GQ	1520JQ	1520GQ	1520JQ	1520GQ	1520JQ	1520JQ	1520JQ	1520GQ	1520JQ	1520GQ	1520GQ	1520JQ	1520JQ				
C922	2200/25	2200/16	2200/16	2200/35	2200/16	2200/25	2200/16	2200/25	2200/16	2200/25	2200/25	2200/16	2200/25	2200/16	2200/16	2200/35	2200/16					
R921	47(1/2W)	47(1/2W)	47(1/2W)	NC	47(1/2W)	47(1/2W)	47(1/2W)	47(1/2W)	47(1/2W)	47(1/2W)	47(1/2W)	47(1/2W)	47(1/2W)	47(1/2W)	47(1/2W)	47(1/2W)	NC	47(1/2W)				
R9101	0.1(1/2W)	0.22(1/1W)	0.22(1/1W)	0.22(1/1W)	0.22(1/1W)	0.1(1/2W)	0.22(1/1W)	0.1(1/2W)	0.22(1/1W)	0.1(1/2W)	0.1(1/2W)	0.1(1/2W)	0.1(1/2W)	0.1(1/2W)	0.1(1/2W)	0.22(1/1W)	NC	NC				
F901	8A/125V	4A/250V	4A/250V	4A/250V	4A/250V	8A/125V	4A/250V	8A/125V	4A/250V	8A/125V	8A/125V	8A/125V	4A/250V	10A/250V	5A/250V	5A/250V	5A/250V	12A/250V				
F902	NC	NC	NC	4A/250V	NC	NC	NC	NC	NC	NC	NC	NC	NC	NC	NC	NC	5A/250V	NC				
F910	NC	NC	NC	4A/250V	NC	NC	NC	NC	NC	NC	NC	NC	NC	NC	5A/125V	NC	NC	5A/125V				
J931	TA5	TA5	TA5	NC	NC	NC	NC	NC	NC	NC	NC	NC	NC	TA5	TA5	TA5	NC	NC				

CAUTION
 FOR CONTINUED PROTECTION AGAINST FIRE HAZARD, REPLACE ONLY WITH FUSE OF SAME TYPE AND RATING INDICATED.

ATTENTION
 AFIN D'ASSURER UNE PROTECTION PERMANENTE CONTRE LES RISQUES D'INCENDIE, REMPLACER UNIQUEMENT PAR UN FUSIBLE DE MEME TYPE ET CALIBRATION COMME INDIQUE.

THIS SYMBOL LOCATED NEAR THE FUSE INDICATES THAT THE FUSE USED IS SLOW OPERATING TYPE FOR CONTINUED PROTECTION AGAINST FIRE HAZARD. REPLACE WITH SAME TYPE FUSE. FOR FUSE RATING REFER TO THE MARKING ADJACENT TO THE SYMBOL.

CE SYMBOLE INDIQUE QUE LE FUSIBLE UTILISE EST LENT. POUR UNE PROTECTION PERMANENTE, N'UTILISER QUE DES FUSIBLES DE MEME TYPE. CE DERNIER EST INDIQUE LA OU LE PRESENT SYMBOLE EST APPOSE.

NOTE

- THE COMPONENTS IDENTIFIED BY MARK Δ ARE CRITICAL FOR SAFETY REPLACE ONLY WITH PART NUMBER SPECIFIED.
- VOLTAGE (MEASURED WITH VOLTMETER) \square IS DC VOLTAGE. (NO INPUT SIGNAL).
- ALL PNP TRANSISTORS ARE EQUIVALENT TO 2SA1015-GR UNLESS OTHERWISE NOTED.
- ALL NPN TRANSISTORS ARE EQUIVALENT TO 2SC1815-GR UNLESS OTHERWISE NOTED.
- ALL DIODES ARE EQUIVALENT TO 1SS133 UNLESS OTHERWISE NOTED.
- ELECTROLYTIC CAPACITORS (\square) ARE IN μ F/VV.
- ALL CAPACITORS ARE IN pF/50WV UNLESS OTHERWISE NOTED.
- EX) 030-3pF 330-33pF 331-330pF 333-0.033 μ F
- ALL RESISTORS ARE IN OHMS 1/4WATTS UNLESS OTHERWISE NOTED.
- THE THICK LINES ON PC BOARD ARE THE PRINTING SIDE OF THE PARTS.
- EX) \square PRINTING SIDE
- CIRCUIT IS SUBJECT TO CHANGE FOR IMPROVEMENT.

1

2

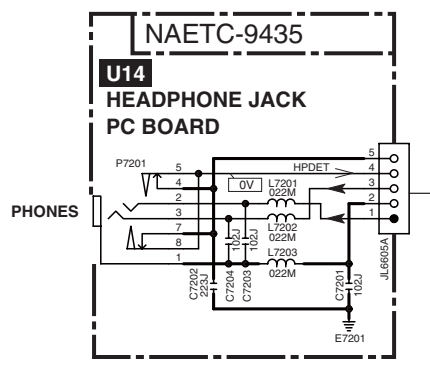
3

4

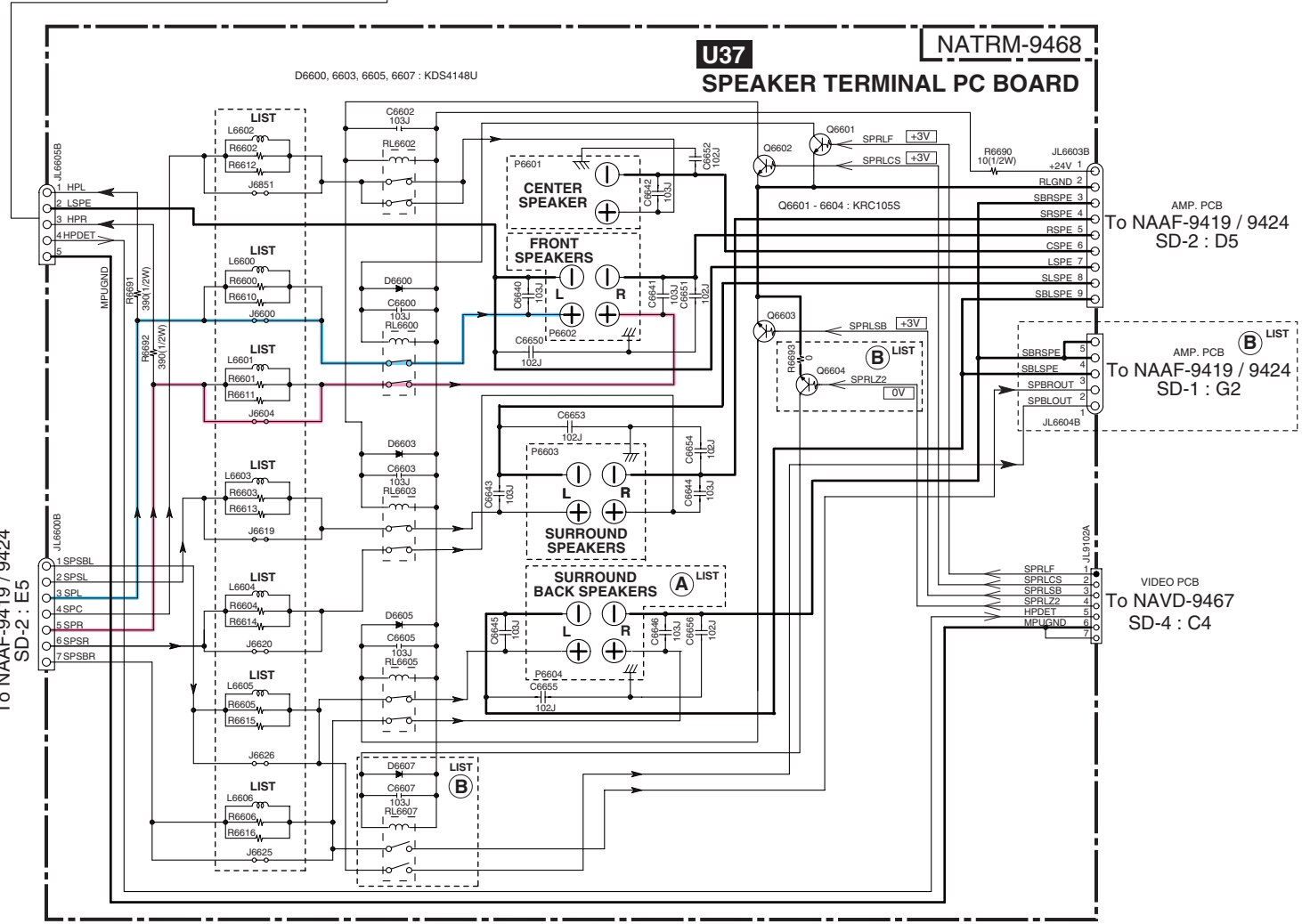
5

To NAAF-9419 / 9424
 AMP. PCB
 SD-2 : B4

E F G H



AUDIO ANALOG SIGNAL
 — FRONT L
 — FRONT R



Refer to following table about the parts displayed by mark "LIST".
 TA5 : Jumper wire L=5 mm

	TX-SR506				HT-R518			HT-R560			TX-SR576		HT-R567		HT-R960		TX-SR606				TX-SA606X
	DD, DC	PP, PB	GK, GQ, GR	WT, WO, WF	PP	DD, DC	PP	DD, DC	PP, PA	DD	DD	DC	PP	DD, DC	PP, PA	GK, GQ, GR	WT, WO			JJ	
L6600 - 6604	NONE	S1.3C	S1.3C	S1.3C	S1.3C	NONE	S1.3C	NONE	S1.3C	NONE	NONE	NONE	S1.3C	NONE	S1.3C	S1.3C	S1.3C	S1.3C			NONE
L6605, 6606	NONE	S1.3C	S1.3C	S1.3C	NONE	NONE	S1.3C	NONE	S1.3C	NONE	NONE	NONE	S1.3C	NONE	S1.3C	S1.3C	S1.3C	S1.3C			NONE
R6600 - 6606	NONE	22	22	22	22	NONE	22	NONE	22	NONE	NONE	NONE	22	NONE	22	22	22	22			NONE
R6605, 6606	NONE	22	22	22	22	NONE	22	NONE	22	NONE	NONE	NONE	22	NONE	22	22	22	22			NONE
R6615, 6616	NONE	22	22	22	22	NONE	22	NONE	22	NONE	NONE	NONE	22	NONE	22	22	22	22			NONE
J6600, 6604, 6619, 6620, 6625, 6626, 6651	TA5	TA5	TA5	NONE	NONE	TA5	NONE	TA5	NONE	TA5	NONE	TA5	NONE	TA5	NONE	NONE	NONE	NONE			TA5
(A)	YES				NONE	YES	YES	YES	YES	YES	YES	YES	YES	YES				YES			YES
(B)	YES				NONE	YES	YES	YES	YES	YES	YES	YES	YES	YES				NONE			NONE

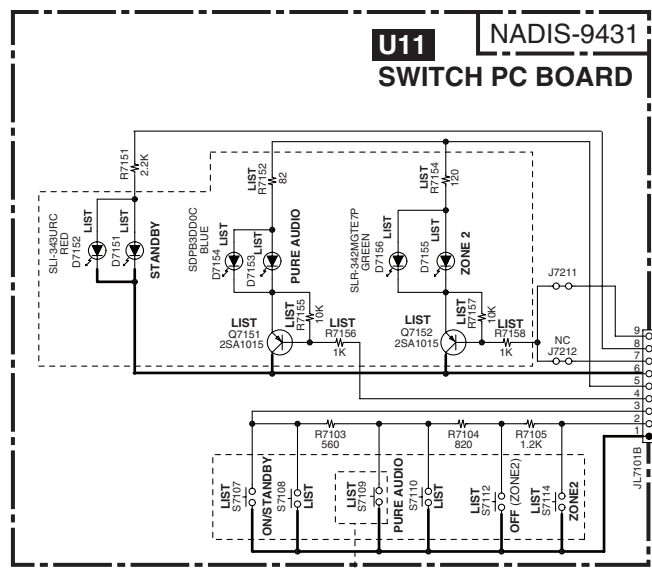
SCHEMATIC DIAGRAMS-6 (SD-6) DISPLAY SECTION

NOTE

- THE COMPONENTS IDENTIFIED BY MARK Δ ARE CRITICAL FOR SAFETY. REPLACE ONLY WITH PART NUMBER SPECIFIED.
- VOLTAGE (MEASURED WITH VOLTMETER) \square IS DC VOLTAGE. (NO INPUT SIGNAL).
- ALL PNP TRANSISTORS ARE EQUIVALENT TO 2SA1015-GR UNLESS OTHERWISE NOTED.
- ALL NPN TRANSISTORS ARE EQUIVALENT TO 2SC1815-GR UNLESS OTHERWISE NOTED.
- ALL DIODES ARE EQUIVALENT TO 1SS133 UNLESS OTHERWISE NOTED.
- ELECTROLYTIC CAPACITORS (---) ARE IN μ F/WV.
- ALL CAPACITORS ARE IN pF/50WV UNLESS OTHERWISE NOTED.
EX) 030- 3pF 330- 33pF 331- 330pF 333- 0.033 μ F
- ALL RESISTORS ARE IN OHMS 1/4WATTS UNLESS OTHERWISE NOTED.
- THE THICK LINES ON PC BOARD ARE THE PRINTING SIDE OF THE PARTS.
EX) \square PRINTING SIDE
- CIRCUIT IS SUBJECT TO CHANGE FOR IMPROVEMENT.

<Note>

NC = No mount of parts.
SD-Z : XY
Location of connected terminal in schematic diagrams.
SD-Z = Schematic diagrams-Z. X = A to H, Y = 1 to 5.

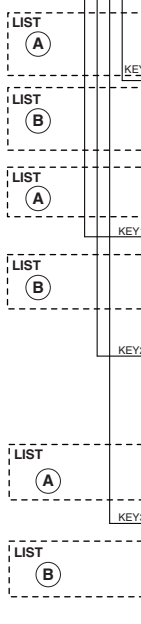
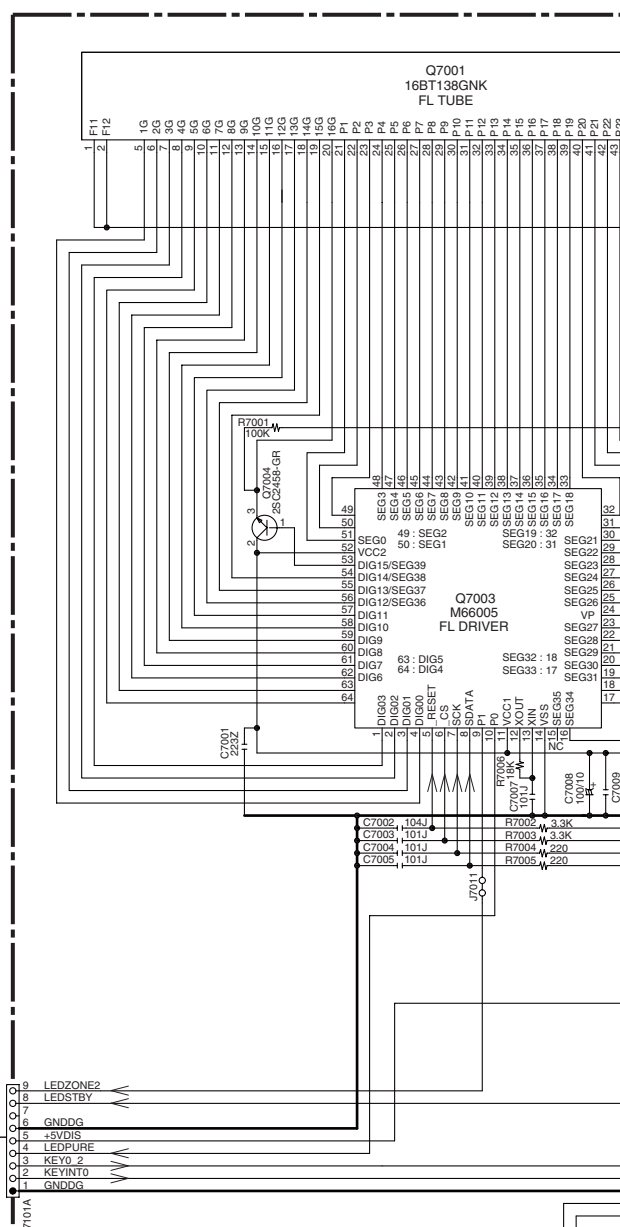


FUNCTION

	TX-SR506			HT-R518		HT-R560		TX-SR576		HT-R567	HT-R667	HT-R960		TX-SR606			TX-SA606X		
	DD, DC	PP, PB	GK, GQ, GR	WT, WO, WF	PP	DD, DC	PP	DD, DC	PP, PA	DD	DD	DC	PP	DD, DC	PP, PA	GK, GQ, GR	WT, WO	JJ	
S7109	NONE		PURE AUDIO		PURE AUDIO	DOCK		NONE	PURE AUDIO	DOCK	DOCK	NONE		NONE					NONE

Refer to following table about the parts displayed by mark "LIST".

	TX-SR506				HT-R518			HT-R560		TX-SR576		HT-R567	HT-R667	HT-R960	TX-SR606			TX-SA606X	
	DD, DC	PP, PB	GK, GQ, GR	WT, WO, WF	PP	DD, DC	PP	DD, DC	PP, PA	DD	DD	DC	PP	DD, DC	PP, PA	GK, GQ, GR	WT, WO	JJ	
S7001, S7101, S7107			YES		YES	YES		YES		YES	YES	YES		YES				NONE	NONE
S7002, S7102, S7108			NONE		NONE	NONE		NONE		NONE	NONE	NONE		NONE		YES		YES	YES
S7109	NONE	YES	YES	YES	YES	NONE	YES	NONE	YES	NONE	NONE	NONE	YES	NONE	YES			NONE	NONE
S7110			NONE		NONE	NONE		NONE		NONE	NONE	NONE		NONE		YES		YES	YES
S7112, S7114			NONE		NONE	NONE		NONE		NONE	NONE	NONE		NONE		YES		NONE	NONE
(A)			YES		YES	YES		YES		YES	YES	YES		YES				NONE	NONE
(B)			NONE		NONE	NONE		NONE		NONE	NONE	NONE		NONE		YES		YES	YES
D7156			YES		NONE	NONE		YES		NONE	NONE	NONE		NONE		NONE		NONE	NONE
D7155			NONE		NONE	NONE		NONE		NONE	NONE	NONE		NONE		YES		NONE	NONE
D7151			YES		YES	YES		YES		YES	YES	YES		YES				NONE	NONE
D7152			NONE		NONE	NONE		NONE		NONE	NONE	NONE		NONE		YES		YES	YES
D7153	NONE	YES	YES	YES	YES	NONE	YES	NONE	YES	YES	YES	NONE	YES	NONE	YES			NONE	NONE
D7154			NONE		NONE	NONE		NONE		NONE	NONE	NONE		NONE	YES	YES	YES	YES	YES
Q7151, R7152, R7155, 7156	NONE	YES	YES	YES	YES	NONE		NONE	YES	NONE	NONE	NONE		NONE	YES	YES	YES	YES	YES
Q7152, R7154, R7157, 7158			YES		NONE	NONE		YES		NONE	NONE	NONE		NONE		YES		NONE	NONE



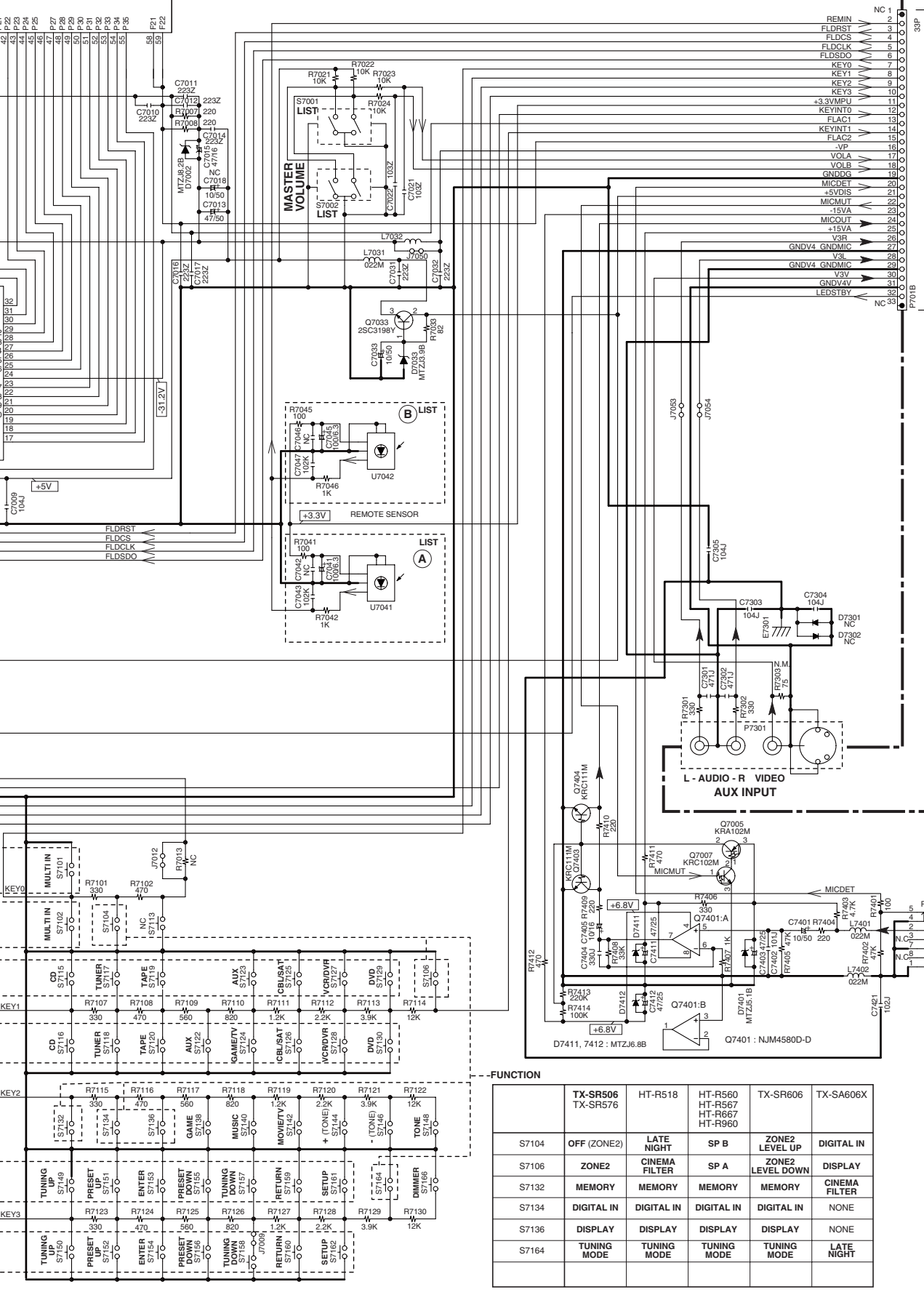
E

F

G

H

U10 NADIS-9430
DISPLAY PC BOARD



MICROPROCESSOR PCB
To NADG-9457
SD-3 : B1

-FUNCTION

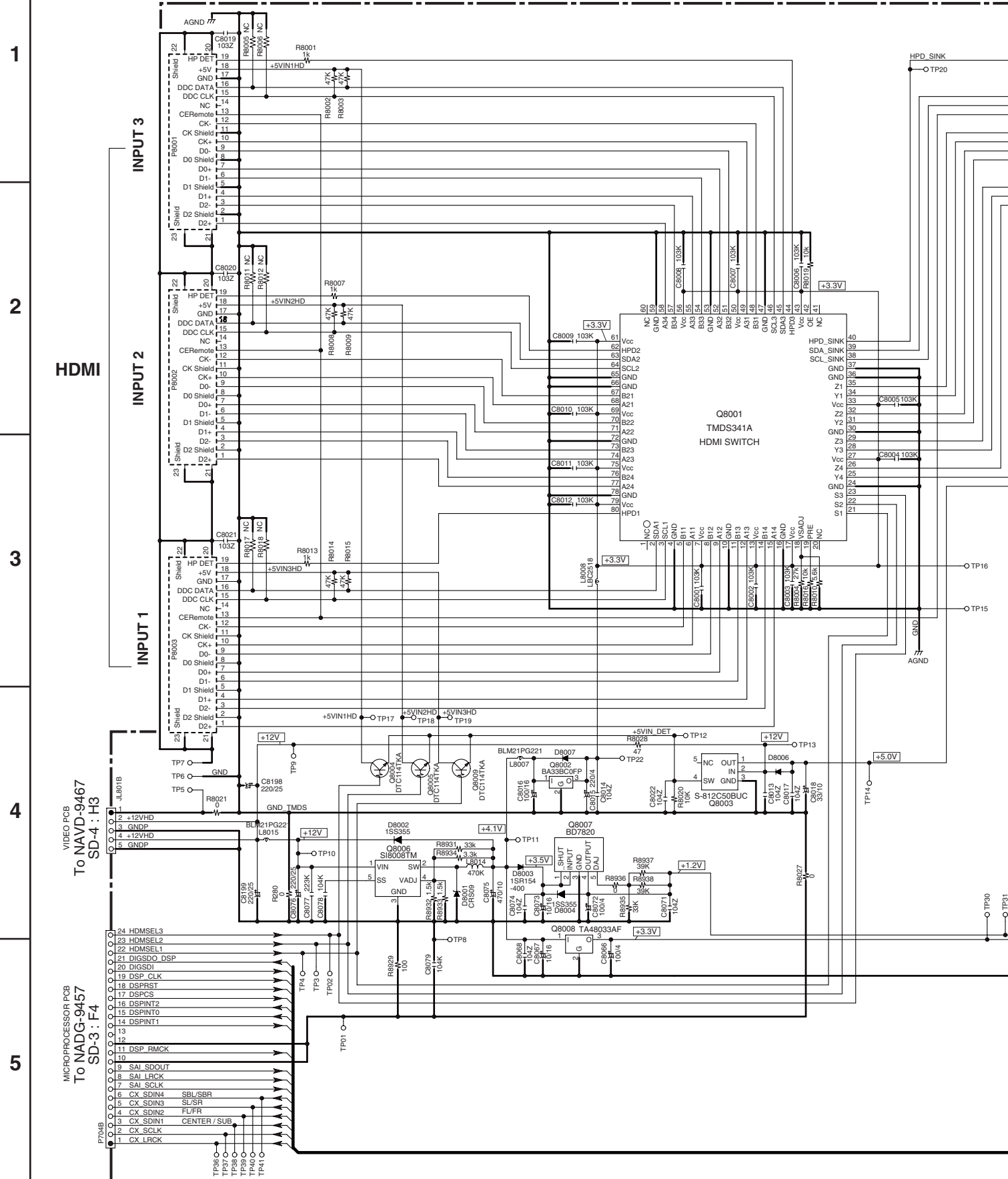
	TX-SR506 TX-SR576	HT-R518	HT-R560 HT-R567 HT-R667 HT-R960	TX-SR606	TX-SA606X
S7104	OFF (ZONE2)	LATE NIGHT	SP B	ZONE2 LEVEL UP	DIGITAL IN
S7106	ZONE2	CINEMA FILTER	SP A	ZONE2 LEVEL DOWN	DISPLAY
S7132	MEMORY	MEMORY	MEMORY	MEMORY	CINEMA FILTER
S7134	DIGITAL IN	DIGITAL IN	DIGITAL IN	DIGITAL IN	NONE
S7136	DISPLAY	DISPLAY	DISPLAY	DISPLAY	NONE
S7164	TUNING MODE	TUNING MODE	TUNING MODE	TUNING MODE	LATE NIGHT

A B C D

SCHEMATIC DIAGRAMS-7 (SD-7)

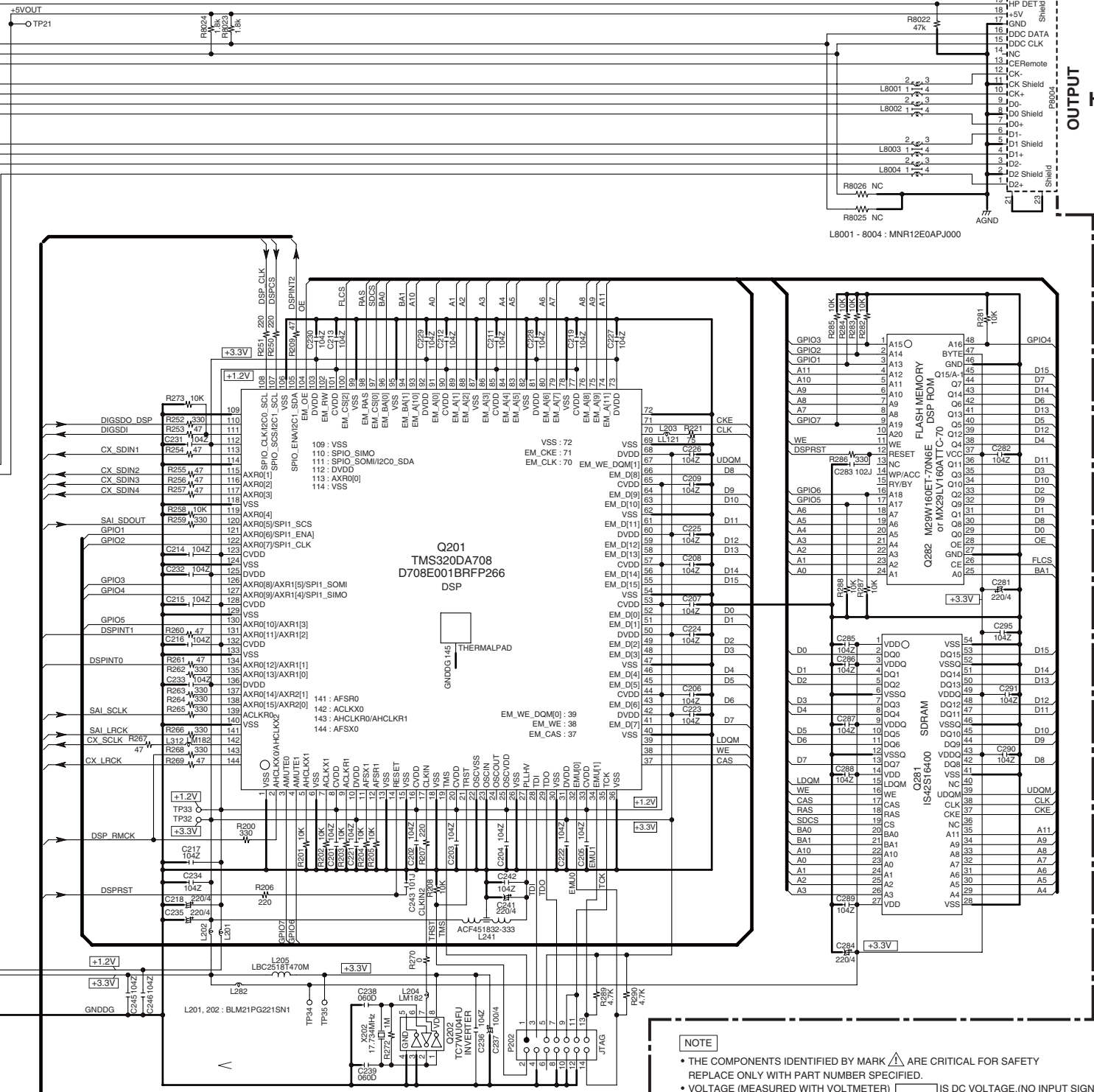
DSP / HDMI SECTION

<Note>
 NC = No mount of parts.
 SD-Z : XY
 Location of connected terminal in schematic diagrams.
 SD-Z = Schematic diagrams-Z. X = A to H, Y = 1 to 5.



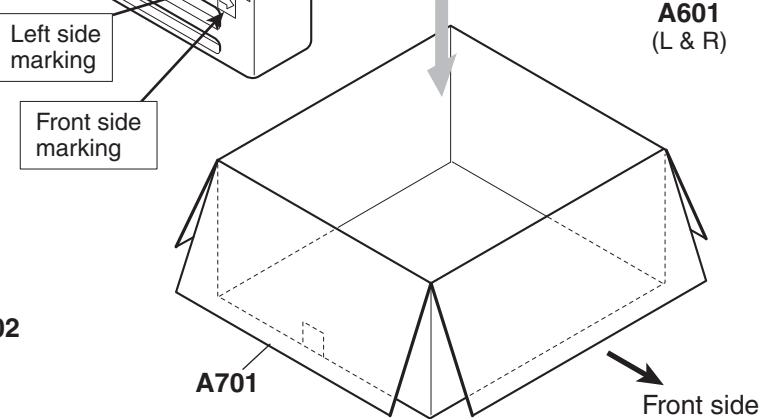
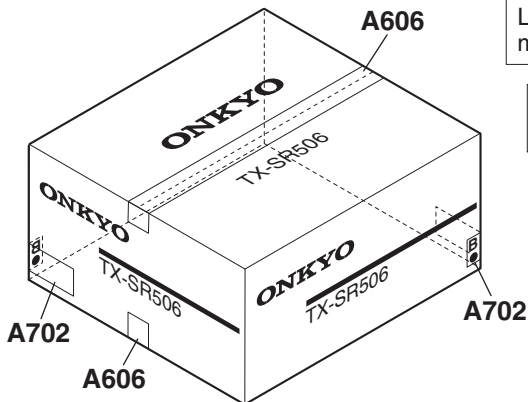
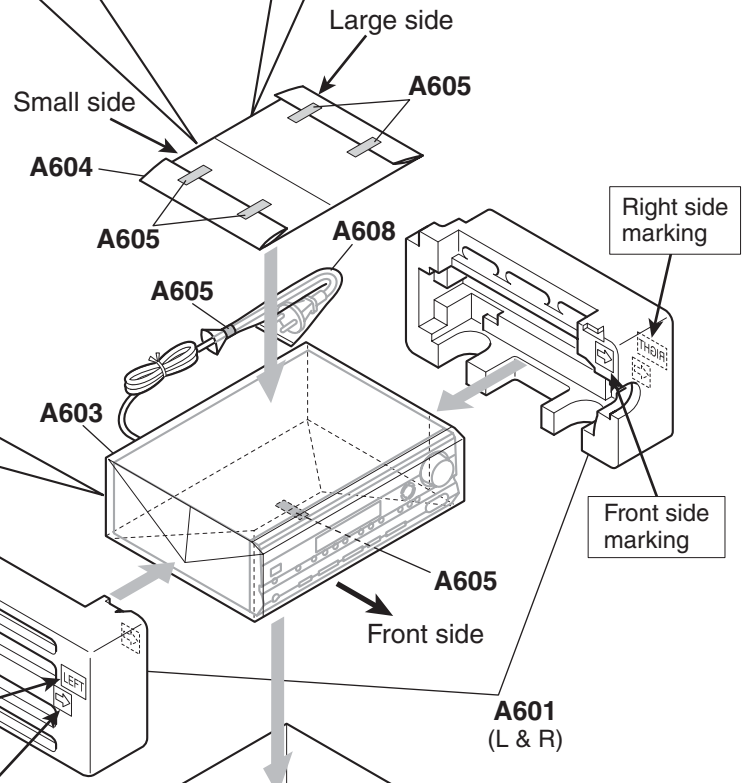
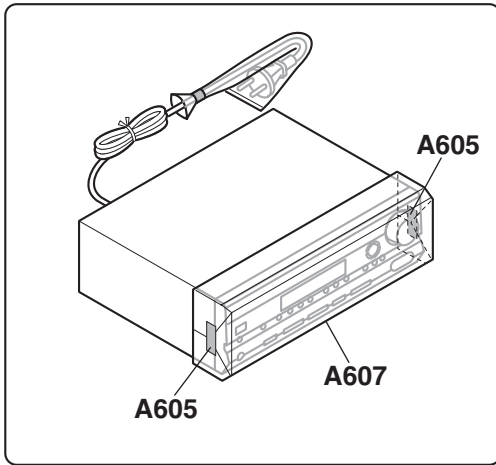
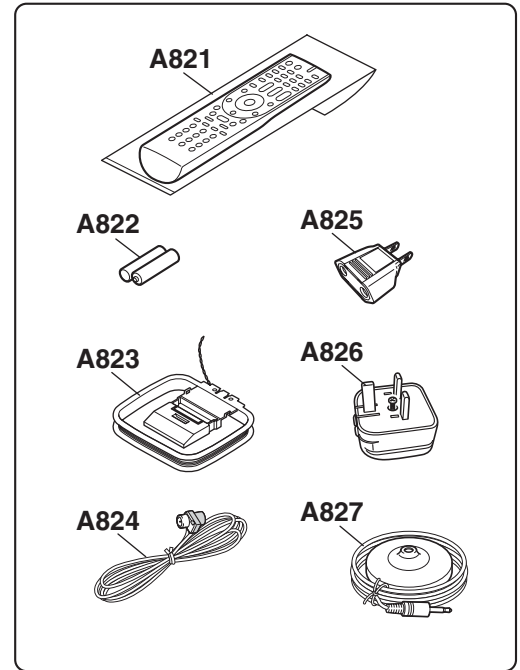
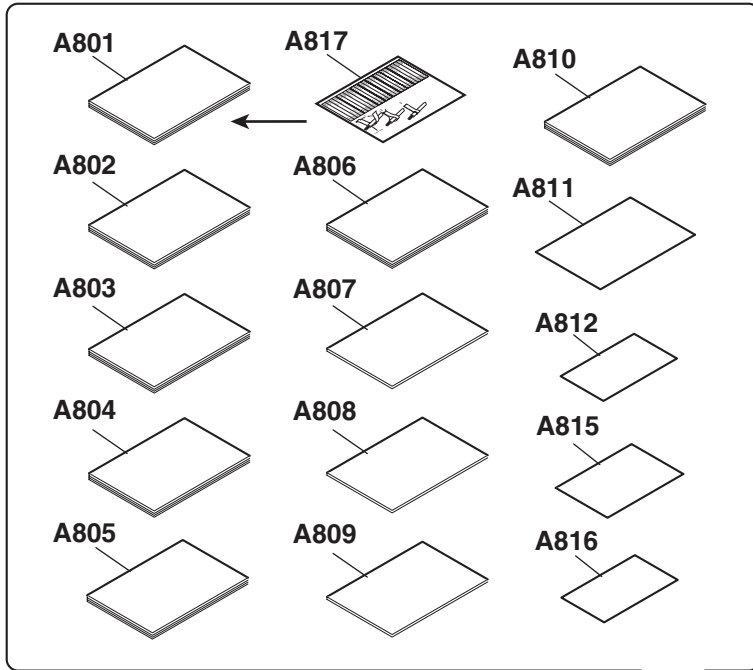
U42 NAHDM-9475 DSP / HDMI PC BOARD

OUTPUT HDMI



- NOTE**
- THE COMPONENTS IDENTIFIED BY MARK ARE CRITICAL FOR SAFETY REPLACE ONLY WITH PART NUMBER SPECIFIED.
 - VOLTAGE (MEASURED WITH VOLTMETER) IS DC VOLTAGE.(NO INPUT SIGNAL).
 - ALL PNP TRANSISTORS ARE EQUIVALENT TO 2SA1015-GR UNLESS OTHERWISE NOTED.
 - ALL NPN TRANSISTORS ARE EQUIVALENT TO 2SC1815-GR UNLESS OTHERWISE NOTED.
 - ALL DIODES ARE EQUIVALENT TO 1SS133 UNLESS OTHERWISE NOTED.
 - ELECTROLYTIC CAPACITORS () ARE IN uF/WV.
 - ALL CAPACITORS ARE IN pF/50WV UNLESS OTHERWISE NOTED.
EX) 030- 3pF 330- 33pF 331- 330pF 333- 0.033uF
 - ALL RESISTORS ARE IN OHMS 1/4WATTS UNLESS OTHERWISE NOTED.
 - THE THICK LINES ON PC BOARD ARE THE PRINTING SIDE OF THE PARTS.
EX) PRINTING SIDE
 - CIRCUIT IS SUBJECT TO CHANGE FOR IMPROVEMENT.

PACKING PROCEDURE



TX-SR506**<Note>**

Parts marked by "NSP" are generally unavailable because they are not in our Master Spare Parts List.

**NOTE : THE COMPONENTS IDENTIFIED BY THE MARK
! ARE CRITICAL FOR RISK OF FIRE AND
ELECTRIC SHOCK. REPLACE ONLY WITH PART
NUMBER SPECIFIED.**

<Notes>

(B) : Black model
(S) : Silver model
(G) : Golden model
<DD> : USA model
<DC> : Canadian model
<GK> : Korean model
<GQ> : Hong kong model
<GR> : Chinese model
<PP> : European model
<PB> : British model
<WT> : World wide model
<WO> : World wide model
<WF> : Taiwanese model

EXPLODED VIEW PARTS LIST

	REF. NO.	PART NAME	DESCRIPTION	Q'TY	PART NO. (SN)	REMARKS
EV	A001	CHASSIS	(FRONT)	1	27100513A	
EV	A002	SCREW	3TTB+8B(3CM)SR	5	801637	
EV	A003	B PLATE	---	1	28133425	(B)
EV	A003	B PLATE	---	1	28133426	(S), (G)
EV	A004	RETAINER	(F)	1	27142099	
EV	A005	SCREW	3TTB+8B(3CM)SR	2	801637	
EV	A011	SCREW	2.6TTB+8B(3BC)	18	838426088GR	

EV	A012	SCREW	2.6TTB+8B(3BC)	3	838426088GR	
EV	A013	WIRE TIE	BSK-1	8	260208	
EV	A016	SCREW	3TTB+8B(3CM)SR	1	801637	
EV	A018	HOLDER	KGLS-22S	3	27190369	
EV	A020	HOLDER	KGLS-16RT	2	27190511	
EV	A021	HOLDER	KGPS-16RF	5	27190991	
EV	A022	HOLDER	KGLS-10RT	1	27190428A	
EV	A030	SCREW	4TTC+8C(3BC)	4	830440089GR	
EV	A031	SPACER	---	1	27270439	
EV	A033	LABEL	(PT)	1	29363379-1	
EV	A035	HOLDER	KGLS-14RT	1	27190524	
EV	A037	BUSHING	S-RELIEF #2271	1	27300750	!
EV	A039	TAPE	TAPE(CLOTH-16U)	(1)	29110083	
EV	A040	HEAT SINK	(AS)	1	27160602A	
EV	A041	BRACKET	(HT-L)	1	27131016B	
EV	A042	BRACKET	(HT-R)	1	27131017A	
EV	A043	SCREW	3TTB+8B(3CM)SR	4	801637	
EV	A044	SCREW	3TTB+8B(3CM)SR	4	801637	
EV	A046	SCREW	3TTB+8B(3CM)SR	2	801637	
EV	A047	SCREW	3TTB+8B(3CM)SR	2	801637	
EV	A048	SCREW	3TTB+8B(3CM)SR	1	801637	
EV	A049	SCREW	3SMS8W.SW+14B(CU)	14	801634	
EV	A050	IB CUSHION	W15 x 3t TAPE	1	28141585	
EV	A052	SCREW	3TTB+8B(3CM)SR	1	801637	
EV	A055	KNOB	VOL (B)	1	28326514	(B)
EV	A055	KNOB	VOL (S)	1	28326515	(S)
EV	A055	KNOB	VOL (G)	1	28326624	(G)
EV	A060	COVER	(B)	1	28210010	(B)
EV	A060	COVER	(S)	1	28210011	(S)
EV	A060	COVER	(G)	1	28210012	(G)
EV	A061	SCREW	3TTB+8B(3BC)	6	838430088GR	(B)
EV	A061	SCREW	3TTB+8B(3CM)SR	6	801637	(S), (G)
EV	A062	CUSHION	---	2	28141681	

EV	A066	BOTTOM LEG	TX-SR506	4	27175441	
EV	A067	SCREW	3TTB+8B(3BC)	4	838430088GR	
EV	A068	WASHER	W3 x 8F(3CM)	8	87613008GR	
EV	A071	CUSHION	---	3	28141688	
EV	A072	CHASSIS	506	1	---	NSP
EV	A073	F PANEL	(B)MDD/506	1	27213069	(B) <DD>
EV	A073	F PANEL	(B)MDD/506	1	27213069	(B) <DC>
EV	A073	F PANEL	(B)MPP/506	1	27213071	(B) <PP>
EV	A073	F PANEL	(B)MPP/506	1	27213071	(B) <PB>
EV	A073	F PANEL	(B)MWO/506	1	27213073	(B) <WO>
EV	A073	F PANEL	(S)MDC/506	1	27213070	(S) <DD>
EV	A073	F PANEL	(S)MPP/506	1	27213072	(S) <PP>
EV	A073	F PANEL	(S)MPP/506	1	27213072	(S) <PB>
EV	A073	F PANEL	(S)MWO/506	1	27213074	(S) <WO>
EV	A073	F PANEL	(G)MWT/506	1	27213075	(G) <GK>
EV	A073	F PANEL	(G)MWT/506	1	27213075	(G) <GQ>
EV	A073	F PANEL	(G)MWT/506	1	27213075	(G) <GR>
EV	A073	F PANEL	(G)MWT/506	1	27213075	(G) <WT>
EV	A073	F PANEL	(G)MWT/506	1	27213075	(G) <WF>
EV	A074	KNOB	(PRE)/B	1	28326618	(B)
EV	A074	KNOB	(PRE)/S	1	28326619	(S)
EV	A074	KNOB	(PRE)/G	1	28326620	(G)
EV	A075	KNOB	(A)/B	1	28326615	(B)
EV	A075	KNOB	(A)/S	1	28326616	(S)
EV	A075	KNOB	(A)/G	1	28326617	(G)
EV	A076	KNOB	(STNBY)/B	1	28326621	(B)
EV	A076	KNOB	(STNBY)/S	1	28326622	(S)
EV	A076	KNOB	(STNBY)/G	1	28326623	(G)
EV	A077	BADGE	---	1	28135244	(B)
EV	A077	BADGE	---	1	28135298	(S)
EV	A077	BADGE	---	1	28135245	(G)
EV	A080	HOLDER	(FAN)	8	27191302	<WT, WO, WF>
EV	A083	CLEAR PLT	TX-SR576(B)DD	1	28192191	<DD, DC>

EV	A083	CLEAR PLT	TX-SR506(B)PP	1	28192192	<PP, PB>
EV	A083	CLEAR PLT	TX-SR506(B)PP	1	28192192	<GK, GQ, GR>
EV	A083	CLEAR PLT	TX-SR506(B)PP	1	28192192	<WT, WO, WF>
EV	A089	SCREW	3TTB+8B(3BC)	3	838430088GR	
EV	A093	REAR PANEL	TX-SR506MDD/MDC	1	27123788	<DD, DC>
EV	A093	REAR PANEL	TX-SR506MPP	1	27123789A	<PP, PB>
EV	A093	REAR PANEL	TX-SR506MGK/MGQ	1	27123790A	<GK, GQ>
EV	A093	REAR PANEL	TX-SR506MGR	1	27123791A	<GR>
EV	A093	REAR PANEL	TX-SR506MWO/MWT	1	27123792	<WT, WO, WF>
EV	A096	SCREW	3P+6FN(3BC)	4	82143006GR	
EV	A097	SCREW	3TTB+8B(3BC)	31	838430088GR	<PP, PB>
EV	A097	SCREW	3TTB+8B(3BC)	31	838430088GR	<GK, GQ, GR>
EV	A097	SCREW	3TTB+8B(3BC)	32	838430088GR	<WT, WO, WF>
EV	A102	LABEL	(COVER)	1	29364123	
EV	A103	LABEL	(SP)	1	29390249	
EV	A104	LABEL	(SP_RE)TX-SR506	1	29390384	
EV	A109	LABEL	HOOKUP-ONKYO	1	29363194	<DD, DC>
EV	F901	FUSE	8A-UL/T-233	1	252329GR	!, <DD, DC>
EV	F901 or	FUSE	8A-T/UL-ST2	(1)	252261GR	!, <DD, DC>
EV	F901	FUSE	4A-SE-EAK FUSE	1	252077GR	!, <PP, PB>
EV	F901 or	FUSE	4A-SE-TL250V	(1)	252277GR	!, <PP, PB>
EV	F901	FUSE	4A-SE-EAK FUSE	1	252077GR	!, <GK, GQ, GR>
EV	F901 or	FUSE	4A-SE-TL250V	(1)	252277GR	!, <GK, GQ, GR>
EV	F901	FUSE	4A-SE-EAK FUSE	1	252077GR	!, <WT, WO, WF>
EV	F901 or	FUSE	4A-SE-TL250V	(1)	252277GR	!, <WT, WO, WF>
EV	F901C	LABEL	T4AL250V	1	29361732A	<PP, PB>
EV	F901C	LABEL	T4AL250V	1	29361732A	<WT, WO, WF>
EV	F901C	LABEL	T4AL250V	1	29361732A	<GK, GQ, GR>
EV	F902	FUSE	4A-SE-EAK FUSE	1	252077GR	!, <WT, WO, WF>
EV	F902 or	FUSE	4A-SE-TL250V	(1)	252277GR	!, <WT, WO, WF>
EV	F6901	FUSE	10A-UL/T-233	1	252330GR	!
EV	F6901 or	FUSE	10A-T/UL-ST2	(1)	252333GR	!
EV	F6902	FUSE	10A-UL/T-233	1	252330GR	!

EV	F6902 or	FUSE	10A-T/UL-ST2	(1)	252333GR	!
EV	P101	FFC	NCFC7-132512	1	2047132512	
EV	P691	FAN	DO5X-12T	1	24502321	<WT, WO, WF>
EV	P692	FAN	DO5X-12T	1	24502321	<WT, WO, WF>
EV	P701	FFC	NCFC7-332512	1	2047332512	
EV	P901	AC CORD	AS-UC-2	1	253333VOL	!, <DD, DC>
EV	P901 or	AC CORD	AS-UC-2	(1)	253368BLTK	!, <DD, DC>
EV	P901 or	AC CORD	AS-UC-2	(1)	253368AYUN	!, <DD, DC>
EV	P901 or	AC CORD	AS-UC-2	(1)	253368HSN	!, <DD, DC>
EV	P901	AC CORD	AS-CEE-2	1	253306VOL	!, <PP>
EV	P901 or	AC CORD	AS-CEE-2	(1)	253374YUN	!, <PP>
EV	P901	AC CORD	AS-CEE-2	1	253198VOL	!, <PB>
EV	P901 or	AC CORD	AS-BS	(1)	253198LTK	!, <PB>
EV	P901	AC CORD	AS-KS	1	253427VOL	!, <GK>
EV	P901 or	AC CORD	AS-KS	(1)	253406VOL	!, <GK>
EV	P901	AC CORD	AS-BS	1	253198VOL	!, <GQ>
EV	P901 or	AC CORD	AS-BS	(1)	253198LTK	!, <GQ>
EV	P901	AC CORD	AS-CCC	1	253355VOL	!, <GR>
EV	P901 or	AC CORD	AS-CCC	(1)	253377LTK	!, <GR>
EV	P901	AC CORD	AS-CEE-2	1	253306VOL	!, <WT, WO>
EV	P901 or	AC CORD	AS-CEE-2	(1)	253374YUN	!, <WT, WO>
EV	P901	AC CORD	AS-CNS	1	253429VOL	!, <WF>
EV	P6601A	P RIVET	JB-407A-C	14	880052	<GK, GQ, GR>
EV	P6601A	P RIVET	JB-407A-C	14	880052	<PP, PB>
EV	P6601A	P RIVET	JB-407A-C	14	880052	<WT, WO, WF>
EV	Q6050	TR	MN130S-P	1	2203666	!, <DD, DC>
EV	Q6050 or	TR	2SC5198-R	(1)	2203062	!, <DD, DC>
EV	Q6050 or	TR	2SC5198-O	(1)	2203063	!, <DD, DC>
EV	Q6050 or	TR	MN130S-O	(1)	2203663	!, <DD, DC>
EV	Q6050 or	TR	MN130S-Y	(1)	2203664	!, <DD, DC>
EV	Q6050	TR	2SC5198-O	1	2203063	!, <PP, PB>
EV	Q6050 or	TR	2SC5198-R	(1)	2203062	!, <PP, PB>
EV	Q6050	TR	MN130S-P	1	2203666	!, <GK, GQ, GR>

EV	Q6050 or	TR	2SC5198-R	(1)	2203062	!, <GK, GQ, GR>
EV	Q6050 or	TR	2SC5198-O	(1)	2203063	!, <GK, GQ, GR>
EV	Q6050 or	TR	MN130S-Y	(1)	2203664	!, <GK, GQ, GR>
EV	Q6050	TR	MN130S-P	1	2203666	!, <WT, WO, WF>
EV	Q6050 or	TR	2SC5198-R	(1)	2203062	!, <WT, WO, WF>
EV	Q6050 or	TR	2SC5198-O	(1)	2203063	!, <WT, WO, WF>
EV	Q6050 or	TR	MN130S-O	(1)	2203663	!, <WT, WO, WF>
EV	Q6050 or	TR	MN130S-Y	(1)	2203664	!, <WT, WO, WF>
EV	Q6050A	ISO SHEET	AC238	2	223024	
EV	Q6050B	ISO SHEET	ISO SHEET	6	223041	
EV	Q6051	TR	MN130S-P	1	2203666	!, <DD, DC>
EV	Q6051 or	TR	MN130S-Y	(1)	2203664	!, <DD, DC>
EV	Q6051 or	TR	MN130S-O	(1)	2203663	!, <DD, DC>
EV	Q6051 or	TR	2SC5198-O	(1)	2203063	!, <DD, DC>
EV	Q6051 or	TR	2SC5198-R	(1)	2203062	!, <DD, DC>
EV	Q6051	TR	2SC5198-O	1	2203063	!, <PP, PB>
EV	Q6051 or	TR	2SC5198-R	(1)	2203062	!, <PP, PB>
EV	Q6051	TR	MN130S-P	1	2203666	!, <GK, GQ, GR>
EV	Q6051 or	TR	MN130S-Y	(1)	2203664	!, <GK, GQ, GR>
EV	Q6051 or	TR	MN130S-O	(1)	2203663	!, <GK, GQ, GR>
EV	Q6051 or	TR	2SC5198-O	(1)	2203063	!, <GK, GQ, GR>
EV	Q6051 or	TR	2SC5198-R	(1)	2203062	!, <GK, GQ, GR>
EV	Q6051	TR	MN130S-P	1	2203666	!, <WT, WO, WF>
EV	Q6051 or	TR	MN130S-Y	(1)	2203664	!, <WT, WO, WF>
EV	Q6051 or	TR	MN130S-O	(1)	2203663	!, <WT, WO, WF>
EV	Q6051 or	TR	2SC5198-O	(1)	2203063	!, <WT, WO, WF>
EV	Q6051 or	TR	2SC5198-R	(1)	2203062	!, <WT, WO, WF>
EV	Q6052	TR	MN130S-P	1	2203666	!, <DD, DC>
EV	Q6052 or	TR	2SC5198-R	(1)	2203062	!, <DD, DC>
EV	Q6052 or	TR	2SC5198-O	(1)	2203063	!, <DD, DC>
EV	Q6052 or	TR	MN130S-O	(1)	2203663	!, <DD, DC>
EV	Q6052 or	TR	MN130S-Y	(1)	2203664	!, <DD, DC>
EV	Q6052	TR	MN130S-P	1	2203666	!, <GK, GQ, GR>

EV	Q6052 or	TR	2SC5198-R	(1)	2203062	!, <GK, GQ, GR>
EV	Q6052 or	TR	2SC5198-O	(1)	2203063	!, <GK, GQ, GR>
EV	Q6052 or	TR	MN130S-O	(1)	2203663	!, <GK, GQ, GR>
EV	Q6052 or	TR	MN130S-Y	(1)	2203664	!, <GK, GQ, GR>
EV	Q6052	TR	2SC5198-O	1	2203063	!, <PP, PB>
EV	Q6052 or	TR	2SC5198-R	(1)	2203062	!, <PP, PB>
EV	Q6052	TR	MN130S-P	1	2203666	!, <WT, WO, WF>
EV	Q6052 or	TR	2SC5198-R	(1)	2203062	!, <WT, WO, WF>
EV	Q6052 or	TR	2SC5198-O	(1)	2203063	!, <WT, WO, WF>
EV	Q6052 or	TR	MN130S-O	(1)	2203663	!, <WT, WO, WF>
EV	Q6052 or	TR	MN130S-Y	(1)	2203664	!, <WT, WO, WF>
EV	Q6053	TR	MN130S-P	1	2203666	!, <DD, DC>
EV	Q6053 or	TR	2SC5198-R	(1)	2203062	!, <DD, DC>
EV	Q6053 or	TR	2SC5198-O	(1)	2203063	!, <DD, DC>
EV	Q6053 or	TR	MN130S-O	(1)	2203663	!, <DD, DC>
EV	Q6053 or	TR	MN130S-Y	(1)	2203664	!, <DD, DC>
EV	Q6053 or	TR	KTC5242A-R	(1)	2203952	!, <DD, DC>
EV	Q6053 or	TR	KTC5242A-O	(1)	2203953	!, <DD, DC>
EV	Q6053	TR	MN130S-P	1	2203666	!, <GK, GQ, GR>
EV	Q6053 or	TR	2SC5198-R	(1)	2203062	!, <GK, GQ, GR>
EV	Q6053 or	TR	2SC5198-O	(1)	2203063	!, <GK, GQ, GR>
EV	Q6053 or	TR	MN130S-O	(1)	2203663	!, <GK, GQ, GR>
EV	Q6053 or	TR	MN130S-Y	(1)	2203664	!, <GK, GQ, GR>
EV	Q6053 or	TR	KTC5242A-R	(1)	2203952	!, <GK, GQ, GR>
EV	Q6053 or	TR	KTC5242A-O	(1)	2203953	!, <GK, GQ, GR>
EV	Q6053	TR	2SC5198-O	1	2203063	!, <PP, PB>
EV	Q6053 or	TR	2SC5198-R	(1)	2203062	!, <PP, PB>
EV	Q6053	TR	MN130S-P	1	2203666	!, <WT, WO, WF>
EV	Q6053 or	TR	2SC5198-R	(1)	2203062	!, <WT, WO, WF>
EV	Q6053 or	TR	2SC5198-O	(1)	2203063	!, <WT, WO, WF>
EV	Q6053 or	TR	MN130S-O	(1)	2203663	!, <WT, WO, WF>
EV	Q6053 or	TR	MN130S-Y	(1)	2203664	!, <WT, WO, WF>
EV	Q6053 or	TR	KTC5242A-R	(1)	2203952	!, <WT, WO, WF>

EV	Q6053 or	TR	KTC5242A-O	(1)	2203953	!, <WT, WO, WF>
EV	Q6054	TR	MN130S-P	1	2203666	!, <DD, DC>
EV	Q6054 or	TR	2SC5198-R	(1)	2203062	!, <DD, DC>
EV	Q6054 or	TR	2SC5198-O	(1)	2203063	!, <DD, DC>
EV	Q6054 or	TR	MN130S-O	(1)	2203663	!, <DD, DC>
EV	Q6054 or	TR	MN130S-Y	(1)	2203664	!, <DD, DC>
EV	Q6054 or	TR	KTC5242A-R	(1)	2203952	!, <DD, DC>
EV	Q6054 or	TR	KTC5242A-O	(1)	2203953	!, <DD, DC>
EV	Q6054	TR	MN130S-P	1	2203666	!, <GK, GQ, GR>
EV	Q6054 or	TR	2SC5198-R	(1)	2203062	!, <GK, GQ, GR>
EV	Q6054 or	TR	2SC5198-O	(1)	2203063	!, <GK, GQ, GR>
EV	Q6054 or	TR	MN130S-O	(1)	2203663	!, <GK, GQ, GR>
EV	Q6054 or	TR	MN130S-Y	(1)	2203664	!, <GK, GQ, GR>
EV	Q6054 or	TR	KTC5242A-R	(1)	2203952	!, <GK, GQ, GR>
EV	Q6054 or	TR	KTC5242A-O	(1)	2203953	!, <GK, GQ, GR>
EV	Q6054	TR	2SC5198-O	1	2203063	!, <PP, PB>
EV	Q6054 or	TR	2SC5198-R	(1)	2203062	!, <PP, PB>
EV	Q6054	TR	MN130S-P	1	2203666	!, <WT, WO, WF>
EV	Q6054 or	TR	2SC5198-R	(1)	2203062	!, <WT, WO, WF>
EV	Q6054 or	TR	2SC5198-O	(1)	2203063	!, <WT, WO, WF>
EV	Q6054 or	TR	MN130S-O	(1)	2203663	!, <WT, WO, WF>
EV	Q6054 or	TR	MN130S-Y	(1)	2203664	!, <WT, WO, WF>
EV	Q6054 or	TR	KTC5242A-R	(1)	2203952	!, <WT, WO, WF>
EV	Q6054 or	TR	KTC5242A-O	(1)	2203953	!, <WT, WO, WF>
EV	Q6055	TR	MN130S-P	1	2203666	!, <DD, DC>
EV	Q6055 or	TR	2SC5198-R	(1)	2203062	!, <DD, DC>
EV	Q6055 or	TR	2SC5198-O	(1)	2203063	!, <DD, DC>
EV	Q6055 or	TR	MN130S-O	(1)	2203663	!, <DD, DC>
EV	Q6055 or	TR	MN130S-Y	(1)	2203664	!, <DD, DC>
EV	Q6055 or	TR	KTC5242A-R	(1)	2203952	!, <DD, DC>
EV	Q6055 or	TR	KTC5242A-O	(1)	2203953	!, <DD, DC>
EV	Q6055	TR	MN130S-P	1	2203666	!, <GK, GQ, GR>
EV	Q6055 or	TR	2SC5198-R	(1)	2203062	!, <GK, GQ, GR>

EV	Q6055 or	TR	2SC5198-O	(1)	2203063	!, <GK, GQ, GR>
EV	Q6055 or	TR	MN130S-O	(1)	2203663	!, <GK, GQ, GR>
EV	Q6055 or	TR	MN130S-Y	(1)	2203664	!, <GK, GQ, GR>
EV	Q6055 or	TR	KTC5242A-R	(1)	2203952	!, <GK, GQ, GR>
EV	Q6055 or	TR	KTC5242A-O	(1)	2203953	!, <GK, GQ, GR>
EV	Q6055	TR	2SC5198-O	1	2203063	!, <PP, PB>
EV	Q6055 or	TR	2SC5198-R	(1)	2203062	!, <PP, PB>
EV	Q6055	TR	MN130S-P	1	2203666	!, <WT, WO, WF>
EV	Q6055 or	TR	2SC5198-R	(1)	2203062	!, <WT, WO, WF>
EV	Q6055 or	TR	2SC5198-O	(1)	2203063	!, <WT, WO, WF>
EV	Q6055 or	TR	MN130S-O	(1)	2203663	!, <WT, WO, WF>
EV	Q6055 or	TR	MN130S-Y	(1)	2203664	!, <WT, WO, WF>
EV	Q6055 or	TR	KTC5242A-R	(1)	2203952	!, <WT, WO, WF>
EV	Q6055 or	TR	KTC5242A-O	(1)	2203953	!, <WT, WO, WF>
EV	Q6056	TR	MN130S-P	1	2203666	!, <DD, DC>
EV	Q6056 or	TR	2SC5198-R	(1)	2203062	!, <DD, DC>
EV	Q6056 or	TR	2SC5198-O	(1)	2203063	!, <DD, DC>
EV	Q6056 or	TR	MN130S-O	(1)	2203663	!, <DD, DC>
EV	Q6056 or	TR	MN130S-Y	(1)	2203664	!, <DD, DC>
EV	Q6056 or	TR	KTC5242A-R	(1)	2203952	!, <DD, DC>
EV	Q6056 or	TR	KTC5242A-O	(1)	2203953	!, <DD, DC>
EV	Q6056	TR	MN130S-P	1	2203666	!, <GK, GQ, GR>
EV	Q6056 or	TR	2SC5198-R	(1)	2203062	!, <GK, GQ, GR>
EV	Q6056 or	TR	2SC5198-O	(1)	2203063	!, <GK, GQ, GR>
EV	Q6056 or	TR	MN130S-O	(1)	2203663	!, <GK, GQ, GR>
EV	Q6056 or	TR	MN130S-Y	(1)	2203664	!, <GK, GQ, GR>
EV	Q6056 or	TR	KTC5242A-R	(1)	2203952	!, <GK, GQ, GR>
EV	Q6056 or	TR	KTC5242A-O	(1)	2203953	!, <GK, GQ, GR>
EV	Q6056	TR	2SC5198-O	1	2203063	!, <PP, PB>
EV	Q6056 or	TR	2SC5198-R	(1)	2203062	!, <PP, PB>
EV	Q6056	TR	MN130S-P	1	2203666	!, <WT, WO, WF>
EV	Q6056 or	TR	2SC5198-R	(1)	2203062	!, <WT, WO, WF>
EV	Q6056 or	TR	2SC5198-O	(1)	2203063	!, <WT, WO, WF>

EV	Q6056 or	TR	MN130S-O	(1)	2203663	!, <WT, WO, WF>
EV	Q6056 or	TR	MN130S-Y	(1)	2203664	!, <WT, WO, WF>
EV	Q6056 or	TR	KTC5242A-R	(1)	2203952	!, <WT, WO, WF>
EV	Q6056 or	TR	KTC5242A-O	(1)	2203953	!, <WT, WO, WF>
EV	Q6060	TR	MP130S-P	1	2203676	!, <DD, DC>
EV	Q6060 or	TR	2SA1941-R	(1)	2203052	!, <DD, DC>
EV	Q6060 or	TR	2SA1941-O	(1)	2203053	!, <DD, DC>
EV	Q6060 or	TR	MP130S-O	(1)	2203673	!, <DD, DC>
EV	Q6060 or	TR	MP130S-Y	(1)	2203674	!, <DD, DC>
EV	Q6060	TR	MP130S-P	1	2203676	!, <GK, GQ, GR>
EV	Q6060 or	TR	2SA1941-R	(1)	2203052	!, <GK, GQ, GR>
EV	Q6060 or	TR	2SA1941-O	(1)	2203053	!, <GK, GQ, GR>
EV	Q6060 or	TR	MP130S-O	(1)	2203673	!, <GK, GQ, GR>
EV	Q6060 or	TR	MP130S-Y	(1)	2203674	!, <GK, GQ, GR>
EV	Q6060	TR	2SA1941-O	1	2203053	!, <PP, PB>
EV	Q6060 or	TR	2SA1941-R	(1)	2203052	!, <PP, PB>
EV	Q6060	TR	MP130S-P	1	2203676	!, <WT, WO, WF>
EV	Q6060 or	TR	2SA1941-R	(1)	2203052	!, <WT, WO, WF>
EV	Q6060 or	TR	2SA1941-O	(1)	2203053	!, <WT, WO, WF>
EV	Q6060 or	TR	MP130S-O	(1)	2203673	!, <WT, WO, WF>
EV	Q6060 or	TR	MP130S-Y	(1)	2203674	!, <WT, WO, WF>
EV	Q6061	TR	MP130S-P	1	2203676	!, <DD, DC>
EV	Q6061 or	TR	2SA1941-R	(1)	2203052	!, <DD, DC>
EV	Q6061 or	TR	2SA1941-O	(1)	2203053	!, <DD, DC>
EV	Q6061 or	TR	MP130S-O	(1)	2203673	!, <DD, DC>
EV	Q6061 or	TR	MP130S-Y	(1)	2203674	!, <DD, DC>
EV	Q6061	TR	MP130S-P	1	2203676	!, <GK, GQ, GR>
EV	Q6061 or	TR	2SA1941-R	(1)	2203052	!, <GK, GQ, GR>
EV	Q6061 or	TR	2SA1941-O	(1)	2203053	!, <GK, GQ, GR>
EV	Q6061 or	TR	MP130S-O	(1)	2203673	!, <GK, GQ, GR>
EV	Q6061 or	TR	MP130S-Y	(1)	2203674	!, <GK, GQ, GR>
EV	Q6061	TR	2SA1941-O	1	2203053	!, <PP, PB>
EV	Q6061 or	TR	2SA1941-R	(1)	2203052	!, <PP, PB>

EV	Q6061	TR	MP130S-P	1	2203676	!, <WT, WO, WF>
EV	Q6061 or	TR	2SA1941-R	(1)	2203052	!, <WT, WO, WF>
EV	Q6061 or	TR	2SA1941-O	(1)	2203053	!, <WT, WO, WF>
EV	Q6061 or	TR	MP130S-O	(1)	2203673	!, <WT, WO, WF>
EV	Q6061 or	TR	MP130S-Y	(1)	2203674	!, <WT, WO, WF>
EV	Q6062	TR	MP130S-P	1	2203676	!, <DD, DC>
EV	Q6062 or	TR	2SA1941-R	(1)	2203052	!, <DD, DC>
EV	Q6062 or	TR	2SA1941-O	(1)	2203053	!, <DD, DC>
EV	Q6062 or	TR	MP130S-O	(1)	2203673	!, <DD, DC>
EV	Q6062 or	TR	MP130S-Y	(1)	2203674	!, <DD, DC>
EV	Q6062	TR	MP130S-P	1	2203676	!, <GK, GQ, GR>
EV	Q6062 or	TR	2SA1941-R	(1)	2203052	!, <GK, GQ, GR>
EV	Q6062 or	TR	2SA1941-O	(1)	2203053	!, <GK, GQ, GR>
EV	Q6062 or	TR	MP130S-O	(1)	2203673	!, <GK, GQ, GR>
EV	Q6062 or	TR	MP130S-Y	(1)	2203674	!, <GK, GQ, GR>
EV	Q6062	TR	2SA1941-O	1	2203053	!, <PP, PB>
EV	Q6062 or	TR	2SA1941-R	(1)	2203052	!, <PP, PB>
EV	Q6062	TR	MP130S-P	1	2203676	!, <WT, WO, WF>
EV	Q6062 or	TR	2SA1941-R	(1)	2203052	!, <WT, WO, WF>
EV	Q6062 or	TR	2SA1941-O	(1)	2203053	!, <WT, WO, WF>
EV	Q6062 or	TR	MP130S-O	(1)	2203673	!, <WT, WO, WF>
EV	Q6062 or	TR	MP130S-Y	(1)	2203674	!, <WT, WO, WF>
EV	Q6063	TR	MP130S-P	1	2203676	!, <DD, DC>
EV	Q6063 or	TR	2SA1941-R	(1)	2203052	!, <DD, DC>
EV	Q6063 or	TR	2SA1941-O	(1)	2203053	!, <DD, DC>
EV	Q6063 or	TR	MP130S-O	(1)	2203673	!, <DD, DC>
EV	Q6063 or	TR	MP130S-Y	(1)	2203674	!, <DD, DC>
EV	Q6063 or	TR	KTA1962A-R	(1)	2203942	!, <DD, DC>
EV	Q6063 or	TR	KTA1962A-O	(1)	2203943	!, <DD, DC>
EV	Q6063	TR	MP130S-P	1	2203676	!, <GK, GQ, GR>
EV	Q6063 or	TR	2SA1941-R	(1)	2203052	!, <GK, GQ, GR>
EV	Q6063 or	TR	2SA1941-O	(1)	2203053	!, <GK, GQ, GR>
EV	Q6063 or	TR	MP130S-O	(1)	2203673	!, <GK, GQ, GR>

EV	Q6063 or	TR	MP130S-Y	(1)	2203674	!, <GK, GQ, GR>
EV	Q6063 or	TR	KTA1962A-R	(1)	2203942	!, <GK, GQ, GR>
EV	Q6063 or	TR	KTA1962A-O	(1)	2203943	!, <GK, GQ, GR>
EV	Q6063	TR	2SA1941-O	1	2203053	!, <PP, PB>
EV	Q6063 or	TR	2SA1941-R	(1)	2203052	!, <PP, PB>
EV	Q6063	TR	MP130S-P	1	2203676	!, <WT, WO, WF>
EV	Q6063 or	TR	2SA1941-R	(1)	2203052	!, <WT, WO, WF>
EV	Q6063 or	TR	2SA1941-O	(1)	2203053	!, <WT, WO, WF>
EV	Q6063 or	TR	MP130S-O	(1)	2203673	!, <WT, WO, WF>
EV	Q6063 or	TR	MP130S-Y	(1)	2203674	!, <WT, WO, WF>
EV	Q6063 or	TR	KTA1962A-R	(1)	2203942	!, <WT, WO, WF>
EV	Q6063 or	TR	KTA1962A-O	(1)	2203943	!, <WT, WO, WF>
EV	Q6064	TR	MP130S-P	1	2203676	!, <DD, DC>
EV	Q6064 or	TR	2SA1941-R	(1)	2203052	!, <DD, DC>
EV	Q6064 or	TR	2SA1941-O	(1)	2203053	!, <DD, DC>
EV	Q6064 or	TR	MP130S-O	(1)	2203673	!, <DD, DC>
EV	Q6064 or	TR	MP130S-Y	(1)	2203674	!, <DD, DC>
EV	Q6064 or	TR	KTA1962A-R	(1)	2203942	!, <DD, DC>
EV	Q6064 or	TR	KTA1962A-O	(1)	2203943	!, <DD, DC>
EV	Q6064	TR	MP130S-P	1	2203676	!, <GK, GQ, GR>
EV	Q6064 or	TR	2SA1941-R	(1)	2203052	!, <GK, GQ, GR>
EV	Q6064 or	TR	2SA1941-O	(1)	2203053	!, <GK, GQ, GR>
EV	Q6064 or	TR	MP130S-O	(1)	2203673	!, <GK, GQ, GR>
EV	Q6064 or	TR	MP130S-Y	(1)	2203674	!, <GK, GQ, GR>
EV	Q6064 or	TR	KTA1962A-R	(1)	2203942	!, <GK, GQ, GR>
EV	Q6064 or	TR	KTA1962A-O	(1)	2203943	!, <GK, GQ, GR>
EV	Q6064	TR	2SA1941-O	1	2203053	!, <PP, PB>
EV	Q6064 or	TR	2SA1941-R	(1)	2203052	!, <PP, PB>
EV	Q6064	TR	MP130S-P	1	2203676	!, <WT, WO, WF>
EV	Q6064 or	TR	2SA1941-R	(1)	2203052	!, <WT, WO, WF>
EV	Q6064 or	TR	2SA1941-O	(1)	2203053	!, <WT, WO, WF>
EV	Q6064 or	TR	MP130S-O	(1)	2203673	!, <WT, WO, WF>
EV	Q6064 or	TR	MP130S-Y	(1)	2203674	!, <WT, WO, WF>

EV	Q6064 or	TR	KTA1962A-R	(1)	2203942	!, <WT, WO, WF>
EV	Q6064 or	TR	KTA1962A-O	(1)	2203943	!, <WT, WO, WF>
EV	Q6065	TR	MP130S-P	1	2203676	!, <DD, DC>
EV	Q6065 or	TR	2SA1941-R	(1)	2203052	!, <DD, DC>
EV	Q6065 or	TR	2SA1941-O	(1)	2203053	!, <DD, DC>
EV	Q6065 or	TR	MP130S-O	(1)	2203673	!, <DD, DC>
EV	Q6065 or	TR	MP130S-Y	(1)	2203674	!, <DD, DC>
EV	Q6065 or	TR	KTA1962A-R	(1)	2203942	!, <DD, DC>
EV	Q6065 or	TR	KTA1962A-O	(1)	2203943	!, <DD, DC>
EV	Q6065	TR	MP130S-P	1	2203676	!, <GK, GQ, GR>
EV	Q6065 or	TR	2SA1941-R	(1)	2203052	!, <GK, GQ, GR>
EV	Q6065 or	TR	2SA1941-O	(1)	2203053	!, <GK, GQ, GR>
EV	Q6065 or	TR	MP130S-O	(1)	2203673	!, <GK, GQ, GR>
EV	Q6065 or	TR	MP130S-Y	(1)	2203674	!, <GK, GQ, GR>
EV	Q6065 or	TR	KTA1962A-R	(1)	2203942	!, <GK, GQ, GR>
EV	Q6065 or	TR	KTA1962A-O	(1)	2203943	!, <GK, GQ, GR>
EV	Q6065	TR	2SA1941-O	1	2203053	!, <PP, PB>
EV	Q6065 or	TR	2SA1941-R	(1)	2203052	!, <PP, PB>
EV	Q6065	TR	MP130S-P	1	2203676	!, <WT, WO, WF>
EV	Q6065 or	TR	2SA1941-R	(1)	2203052	!, <WT, WO, WF>
EV	Q6065 or	TR	2SA1941-O	(1)	2203053	!, <WT, WO, WF>
EV	Q6065 or	TR	MP130S-O	(1)	2203673	!, <WT, WO, WF>
EV	Q6065 or	TR	MP130S-Y	(1)	2203674	!, <WT, WO, WF>
EV	Q6065 or	TR	KTA1962A-R	(1)	2203942	!, <WT, WO, WF>
EV	Q6065 or	TR	KTA1962A-O	(1)	2203943	!, <WT, WO, WF>
EV	Q6066	TR	MP130S-P	1	2203676	!, <DD, DC>
EV	Q6066 or	TR	2SA1941-R	(1)	2203052	!, <DD, DC>
EV	Q6066 or	TR	2SA1941-O	(1)	2203053	!, <DD, DC>
EV	Q6066 or	TR	MP130S-O	(1)	2203673	!, <DD, DC>
EV	Q6066 or	TR	MP130S-Y	(1)	2203674	!, <DD, DC>
EV	Q6066 or	TR	KTA1962A-R	(1)	2203942	!, <DD, DC>
EV	Q6066 or	TR	KTA1962A-O	(1)	2203943	!, <DD, DC>
EV	Q6066	TR	MP130S-P	1	2203676	!, <GK, GQ, GR>

EV	Q6066 or	TR	2SA1941-R	(1)	2203052	!, <GK, GQ, GR>
EV	Q6066 or	TR	2SA1941-O	(1)	2203053	!, <GK, GQ, GR>
EV	Q6066 or	TR	MP130S-O	(1)	2203673	!, <GK, GQ, GR>
EV	Q6066 or	TR	MP130S-Y	(1)	2203674	!, <GK, GQ, GR>
EV	Q6066 or	TR	KTA1962A-R	(1)	2203942	!, <GK, GQ, GR>
EV	Q6066 or	TR	KTA1962A-O	(1)	2203943	!, <GK, GQ, GR>
EV	Q6066	TR	2SA1941-O	1	2203053	!, <PP, PB>
EV	Q6066 or	TR	2SA1941-R	(1)	2203052	!, <PP, PB>
EV	Q6066	TR	MP130S-P	1	2203676	!, <WT, WO, WF>
EV	Q6066 or	TR	2SA1941-R	(1)	2203052	!, <WT, WO, WF>
EV	Q6066 or	TR	2SA1941-O	(1)	2203053	!, <WT, WO, WF>
EV	Q6066 or	TR	MP130S-O	(1)	2203673	!, <WT, WO, WF>
EV	Q6066 or	TR	MP130S-Y	(1)	2203674	!, <WT, WO, WF>
EV	Q6066 or	TR	KTA1962A-R	(1)	2203942	!, <WT, WO, WF>
EV	Q6066 or	TR	KTA1962A-O	(1)	2203943	!, <WT, WO, WF>
EV	<Note>					
EV	Must use the same HFE rank mutually about the following parts.					
EV	Ref. No. : Q6050 - 6056, Q6060 - Q6066					
EV	T901	P TRANS	NPT-1516D	1	2301798	!, <DD, DC>
EV	T901	P TRANS	NPT-1516G	1	2301802	!, <GK, GQ, GR>
EV	T901	P TRANS	NPT-1516P	1	2301799	!, <PP, PB>
EV	T901	P TRANS	NPT-1516DQ	1	2301801	!, <WT, WO, WF>
EV	U01	AMPLIFIER PC board ass'y	NAAF-9419-1A	1	1B211519-1A	<DD, DC>
EV	U01	AMPLIFIER PC board ass'y	NAAF-9419-1B	1	1B211519-1B	<PP, PB>
EV	U01	AMPLIFIER PC board ass'y	NAAF-9419-1B	1	1B211519-1B	<GK, GQ, GR>
EV	U01	AMPLIFIER PC board ass'y	NAAF-9419-1B	1	1B211519-1B	<WT, WO, WF>
EV	U02	TRANS. SEC TERMINAL PC board ass'y	NAPS-9420-1A	1	1B211520-1A	<DD, DC>
EV	U02	TRANS. SEC TERMINAL PC board ass'y	NAPS-9420-1B	1	1B211520-1B	<PP, PB>
EV	U02	TRANS. SEC TERMINAL PC board ass'y	NAPS-9420-1B	1	1B211520-1B	<GK, GQ, GR>
EV	U02	TRANS. SEC TERMINAL PC board ass'y	NAPS-9420-1B	1	1B211520-1B	<WT, WO, WF>
EV	U03	THERMAL SENSOR PC board ass'y	NAETC-9421-1	1	---	NSP
EV	U04	HOLDER PC board	NAETC-9422-1	1	---	NSP
EV	U10	DISPLAY PC board ass'y	NADIS-9430-1A	1	1B211530-1A	<DD, DC>

EV	U10	DISPLAY PC board ass'y	NADIS-9430-1B	1	1B211530-1B	<PP, PB>
EV	U10	DISPLAY PC board ass'y	NADIS-9430-1B	1	1B211530-1B	<GK, GQ, GR>
EV	U10	DISPLAY PC board ass'y	NADIS-9430-1C	1	1B211530-1C	<WT, WO, WF>
EV	U11	SWITCH PC board ass'y	NADIS-9431-1A	1	1B211531-1A	<DD, DC>
EV	U11	SWITCH PC board ass'y	NADIS-9431-1B	1	1B211531-1B	<PP, PB>
EV	U11	SWITCH PC board ass'y	NADIS-9431-1B	1	1B211531-1B	<GK, GQ, GR>
EV	U11	SWITCH PC board ass'y	NADIS-9431-1C	1	1B211531-1C	<WT, WO, WF>
EV	U12	POWER SUPPLY PC board ass'y	NAPS-9432-1A	1	1B211532-1A	<DD, DC>
EV	U12	POWER SUPPLY PC board ass'y	NAPS-9432-1B	1	1B211532-1B	<PP, PB>
EV	U12	POWER SUPPLY PC board ass'y	NAPS-9432-1B	1	1B211532-1B	<GK, GQ, GR>
EV	U12	POWER SUPPLY PC board ass'y	NAPS-9432-1C	1	1B211532-1C	<WT, WO, WF>
EV	U13	TRANS. SEC. TERMINAL PC board ass'y	NAPS-9433-1A	1	1B211533-1A	<DD, DC>
EV	U13	TRANS. SEC. TERMINAL PC board ass'y	NAPS-9433-1B	1	1B211533-1B	<PP, PB>
EV	U13	TRANS. SEC. TERMINAL PC board ass'y	NAPS-9433-1B	1	1B211533-1B	<GK, GQ, GR>
EV	U13	TRANS. SEC. TERMINAL PC board ass'y	NAPS-9433-1C	1	1B211533-1C	<WT, WO, WF>
EV	U14	HEADPHONE JACK PC board ass'y	NAETC-9435-1	1	---	NSP
EV	U17	HOLDER PC board ass'y	NAETC-9441-1	1	---	NSP
EV	U30	MICROPROCESSOR PC board ass'y	NADG-9457-1A	1	1B211557-1A	<DD, DC>
EV	U30	MICROPROCESSOR PC board ass'y	NADG-9457-1B	1	1B211557-1B	<PP, PB>
EV	U30	MICROPROCESSOR PC board ass'y	NADG-9457-1D	1	1B211557-1D	<GK, GQ, GR>
EV	U30	MICROPROCESSOR PC board ass'y	NADG-9457-1C	1	1B211557-1C	<WT, WO, WF>
EV	U36	VIDEO PC board ass'y	NAVD-9467-1A	1	1B211567-1A	<DD, DC>
EV	U36	VIDEO PC board ass'y	NAVD-9467-1B	1	1B211567-1B	<PP, PB>
EV	U36	VIDEO PC board ass'y	NAVD-9467-1B	1	1B211567-1B	<GK, GQ, GR>
EV	U36	VIDEO PC board ass'y	NAVD-9467-1C	1	1B211567-1C	<WT, WO, WF>
EV	U37	SPEAKER TERMINAL PC board ass'y	NATRM-9468-1A	1	1B211568-1A	<DD, DC>
EV	U37	SPEAKER TERMINAL PC board ass'y	NATRM-9468-1B	1	1B211568-1B	<PP, PB>
EV	U37	SPEAKER TERMINAL PC board ass'y	NATRM-9468-1B	1	1B211568-1B	<GK, GQ, GR>
EV	U37	SPEAKER TERMINAL PC board ass'y	NATRM-9468-1C	1	1B211568-1C	<WT, WO, WF>
EV	U42	DSP PC board ass'y	NAHDM-9475-1A	1	1B211575-1A	
EV	U45	TUNER UNIT	ENG06507QFUS	1	240156	<DD, DC>
EV	U45 or	TUNER UNIT	FAE385-A11US	(1)	240152	<DD, DC>
EV	U45	TUNER UNIT	ENG07506QFEX	1	240159	<GK, GQ>

EV	U45 or	TUNER UNIT	FAE485-E12EX	(1)	240155	<GK, GQ>
EV	U45	TUNER UNIT	FAE485-E12EX	1	240155	<GR>
EV	U45	TUNER UNIT	ENG07505QFEU	1	240158	<PP, PB>
EV	U45 or	TUNER UNIT	FAE485-E11EU	(1)	240154	<PP, PB>
EV	U45	TUNER UNIT	ENG07506QFEX	1	240159	<WT, WO, WF>
EV	U45 or	TUNER UNIT	FAE485-E12EX	(1)	240155	<WT, WO, WF>

TX-SR506

PC BOARD PARTS LIST

PCB1	U01	AMPLIFIER PC BOARD (NAAF-9419-1A / 1B)
PCB1	U02	TRANS. SEC. TERMINAL PC BOARD (NAPS-9420-1A / 1B)
PCB1	U03	THERMAL SENSOR PC BOARD (NAETC-9421-1A / 1B)

PCB1	CIRCUIT NO.	PART NAME	DESCRIPTION	Q'TY	PART NO. (SN)	REMARKS
PCB1	Q5000	TR	2SC2240-BL(TPE2_F)	1	2211406T	
PCB1	Q5001	TR	2SC2240-BL(TPE2_F)	1	2211406T	
PCB1	Q5002	TR	2SC2240-BL(TPE2_F)	1	2211406T	
PCB1	Q5003	TR	2SC2240-BL(TPE2_F)	1	2211406T	
PCB1	Q5004	TR	2SC2240-BL(TPE2_F)	1	2211406T	
PCB1	Q5005	TR	2SC2240-BL(TPE2_F)	1	2211406T	
PCB1	Q5006	TR	2SC2240-BL(TPE2_F)	1	2211406T	
PCB1	Q5010	TR	2SC2240-BL(TPE2_F)	1	2211406T	
PCB1	Q5011	TR	2SC2240-BL(TPE2_F)	1	2211406T	
PCB1	Q5012	TR	2SC2240-BL(TPE2_F)	1	2211406T	
PCB1	Q5013	TR	2SC2240-BL(TPE2_F)	1	2211406T	
PCB1	Q5014	TR	2SC2240-BL(TPE2_F)	1	2211406T	
PCB1	Q5015	TR	2SC2240-BL(TPE2_F)	1	2211406T	
PCB1	Q5016	TR	2SC2240-BL(TPE2_F)	1	2211406T	
PCB1	Q5030	TR	2SA949-Y(TPE6_F)	1	2211354T	
PCB1	Q5031	TR	2SA949-Y(TPE6_F)	1	2211354T	
PCB1	Q5032	TR	2SA949-Y(TPE6_F)	1	2211354T	
PCB1	Q5033	TR	2SA949-Y(TPE6_F)	1	2211354T	

PCB1	Q5034	TR	2SA949-Y(TPE6_F)	1	2211354T
PCB1	Q5035	TR	2SA949-Y(TPE6_F)	1	2211354T
PCB1	Q5036	TR	2SA949-Y(TPE6_F)	1	\
PCB1	Q5040	TR	2SC2229-Y(TPE6_F)	1	2211634T
PCB1	Q5041	TR	2SC2229-Y(TPE6_F)	1	2211634T
PCB1	Q5042	TR	2SC2229-Y(TPE6_F)	1	2211634T
PCB1	Q5043	TR	2SC2229-Y(TPE6_F)	1	2211634T
PCB1	Q5044	TR	2SC2229-Y(TPE6_F)	1	2211634T
PCB1	Q5045	TR	2SC2229-Y(TPE6_F)	1	2211634T
PCB1	Q5046	TR	2SC2229-Y(TPE6_F)	1	2211634T
PCB1	Q5050	TR	2SC1815-GR	1	2211255T
PCB1	Q5051	TR	2SC1815-GR	1	2211255T
PCB1	Q5052	TR	2SC1815-GR	1	2211255T
PCB1	Q5053	TR	2SC1815-GR	1	2211255T
PCB1	Q5054	TR	2SC1815-GR	1	2211255T
PCB1	Q5055	TR	2SC1815-GR	1	2211255T
PCB1	Q5056	TR	2SC1815-GR	1	2211255T
PCB1	Q5501	IC	R2S15211FP	1	22242297R3
PCB1	Q5503	IC	NJM4580M-D	1	22241448R2
PCB1	Q5600	TR	RN1441	1	2215410R2
PCB1	Q5601	TR	RN1441	1	2215410R2
PCB1	Q5602	TR	RN1441	1	2215410R2
PCB1	Q5603	TR	RN1441	1	2215410R2
PCB1	Q5604	TR	RN1441	1	2215410R2
PCB1	Q5605	TR	RN1441	1	2215410R2
PCB1	Q5606	TR	RN1441	1	2215410R2
PCB1	Q5607	TR	RN1441	1	2215410R2
PCB1	Q5608	TR	RN1441	1	2215410R2
PCB1	Q5609	TR	RN1441	1	2215410R2
PCB1	Q5610	TR	RN1441	1	2215410R2
PCB1	Q5630	IC	NJM4580M-D	1	22241448R2
PCB1	Q5670	IC	78M15HF(NJM78M15FA)	1	222780155JRC
PCB1	Q5670 or	IC	UPC78M15AHF-AZ	(1)	222780155NEC

PCB1	Q5670A	HEAT-SINK	HEAT-SINK(RAD-68)	1	27160211
PCB1	Q5670B	SCREW	3P+10FN(3BC)	1	82143010GR
PCB1	Q5671	IC	79M15HF(NJM79M15FA)	1	222790155JRC
PCB1	Q5671 or	IC	UPC79M15HF-AZ	(1)	222790155NEC
PCB1	Q5671A	HEAT-SINK	HEAT-SINK(RAD-68)	1	27160211
PCB1	Q5671B	SCREW	3P+10FN(3BC)	1	82143010GR
PCB1	Q6000	TR	2SC1740S-S	1	2213285T
PCB1	Q6001	TR	2SC1740S-S	1	2213285T
PCB1	Q6002	TR	2SC1740S-S	1	2213285T
PCB1	Q6003	TR	2SC1740S-S	1	2213285T
PCB1	Q6004	TR	2SC1740S-S	1	2213285T
PCB1	Q6005	TR	2SC1740S-S	1	2213285T
PCB1	Q6006	TR	2SC1740S-S	1	2213285T
PCB1	Q6010	TR	2SC1740S-S	1	2213285T
PCB1	Q6011	TR	2SC1740S-S	1	2213285T
PCB1	Q6012	TR	2SC1740S-S	1	2213285T
PCB1	Q6013	TR	2SC1740S-S	1	2213285T
PCB1	Q6014	TR	2SC1740S-S	1	2213285T
PCB1	Q6015	TR	2SC1740S-S	1	2213285T
PCB1	Q6016	TR	2SC1740S-S	1	2213285T
PCB1	Q6030	TR	2SC5171(ONK_Q)	1	2203010
PCB1	Q6030 or	TR	2SC5993-Q_P	(1)	2217161
PCB1	Q6031	TR	2SC5171(ONK_Q)	1	2203010
PCB1	Q6031 or	TR	2SC5993-Q_P	(1)	2217161
PCB1	Q6032	TR	2SC5171(ONK_Q)	1	2203010
PCB1	Q6032 or	TR	2SC5993-Q_P	(1)	2217161
PCB1	Q6033	TR	2SC5171(ONK_Q)	1	2203010
PCB1	Q6033 or	TR	2SC5993-Q_P	(1)	2217161
PCB1	Q6033 or	TR	KTD2061-Y	(1)	2203434
PCB1	Q6034	TR	2SC5171(ONK_Q)	1	2203010
PCB1	Q6034 or	TR	KTD2061-Y	(1)	2203434
PCB1	Q6034 or	TR	2SC5993-Q_P	(1)	2217161
PCB1	Q6035	TR	2SC5171(ONK_Q)	1	2203010

PCB1	Q6035 or	TR	KTD2061-Y	(1)	2203434
PCB1	Q6035 or	TR	2SC5993-Q_P	(1)	2217161
PCB1	Q6036	TR	2SC5171(ONK_Q)	1	2203010
PCB1	Q6036 or	TR	KTD2061-Y	(1)	2203434
PCB1	Q6036 or	TR	2SC5993-Q_P	(1)	2217161
PCB1	Q6040	TR	2SA1930(ONK_Q)	1	2203000
PCB1	Q6040 or	TR	2SA2140-Q_P	(1)	2217151
PCB1	Q6041	TR	2SA1930(ONK_Q)	1	2203000
PCB1	Q6041 or	TR	2SA2140-Q_P	(1)	2217151
PCB1	Q6042	TR	2SA1930(ONK_Q)	1	2203000
PCB1	Q6042 or	TR	2SA2140-Q_P	(1)	2217151
PCB1	Q6043	TR	2SA1930(ONK_Q)	1	2203000
PCB1	Q6043 or	TR	2SA2140-Q_P	(1)	2217151
PCB1	Q6043 or	TR	KTB1369-Y	(1)	2203424
PCB1	Q6044	TR	2SA1930(ONK_Q)	1	2203000
PCB1	Q6044 or	TR	KTB1369-Y	(1)	2203424
PCB1	Q6044 or	TR	2SA2140-Q_P	(1)	2217151
PCB1	Q6045	TR	2SA1930(ONK_Q)	1	2203000
PCB1	Q6045 or	TR	KTB1369-Y	(1)	2203424
PCB1	Q6045 or	TR	2SA2140-Q_P	(1)	2217151
PCB1	Q6046	TR	2SA1930(ONK_Q)	1	2203000
PCB1	Q6046 or	TR	KTB1369-Y	(1)	2203424
PCB1	Q6046 or	TR	2SA2140-Q_P	(1)	2217151
PCB1	Q6070	TR	2SC2240-BL(TPE2_F)	1	2211406T
PCB1	Q6070 or	TR	2SC2240-GR	(1)	2211405T
PCB1	Q6071	TR	2SC2240-BL(TPE2_F)	1	2211406T
PCB1	Q6071 or	TR	2SC2240-GR	(1)	2211405T
PCB1	Q6072	TR	2SC2240-BL(TPE2_F)	1	2211406T
PCB1	Q6072 or	TR	2SC2240-GR	(1)	2211405T
PCB1	Q6073	TR	2SC2240-BL(TPE2_F)	1	2211406T
PCB1	Q6073 or	TR	2SC2240-GR	(1)	2211405T
PCB1	Q6074	TR	2SC2240-BL(TPE2_F)	1	2211406T
PCB1	Q6074 or	TR	2SC2240-GR	(1)	2211405T

PCB1	Q6075	TR	2SC2240-BL(TPE2_F)	1	2211406T
PCB1	Q6075 or	TR	2SC2240-GR	(1)	2211405T
PCB1	Q6076	TR	2SC2240-BL(TPE2_F)	1	2211406T
PCB1	Q6076 or	TR	2SC2240-GR	(1)	2211405T
PCB1	Q6380	IC	LM61CIZ	1	22242212
PCB1	Q6380A	RETAINER	(PTH)	1	27141884-1
PCB1	Q6701	TR	2SC2712-GR	1	2213145R2
PCB1	Q6701 or	TR	KTC3875-GR	(1)	2216175R2
PCB1	Q6702	TR	2SC2712-GR	1	2213145R2
PCB1	Q6702 or	TR	KTC3875-GR	(1)	2216175R2
PCB1	Q6703	TR	2SA1163-BL(TE85L_F)	1	2216756R2
PCB1	Q6707	TR	2SC2712-GR	1	2213145R2
PCB1	Q6707 or	TR	KTC3875-GR	(1)	2216175R2
PCB1	D5000	ZENER D	MTZJ5.6B	1	224470562T
PCB1	D5001	ZENER D	MTZJ5.6B	1	224470562T
PCB1	D5002	ZENER D	MTZJ5.6B	1	224470562T
PCB1	D5003	ZENER D	MTZJ5.6B	1	224470562T
PCB1	D5004	ZENER D	MTZJ5.6B	1	224470562T
PCB1	D5005	ZENER D	MTZJ5.6B	1	224470562T
PCB1	D5006	ZENER D	MTZJ5.6B	1	224470562T
PCB1	D5671	ZENER D	MTZJ6.2B	1	224470622T
PCB1	D5672	ZENER D	MTZJ6.2B	1	224470622T
PCB1	D5673	DIODE	1SS133	1	223163T
PCB1	D5674	DIODE	1SS133	1	223163T
PCB1	D5704	C-DIODE	KDS4148U	1	223283R2
PCB1	D5704 or	C-DIODE	1SS352	(1)	223234R2
PCB1	D5704 or	C-DIODE	MA2J111	(1)	223279R2
PCB1	D5705	C-DIODE	KDS4148U	1	223283R2
PCB1	D5705 or	C-DIODE	1SS352	(1)	223234R2
PCB1	D5705 or	C-DIODE	MA2J111	(1)	223279R2
PCB1	D5706	C-DIODE	KDS4148U	1	223283R2
PCB1	D5706 or	C-DIODE	1SS352	(1)	223234R2
PCB1	D5706 or	C-DIODE	MA2J111	(1)	223279R2

PCB1	D5707	C-DIODE	KDS4148U	1	223283R2
PCB1	D5707 or	C-DIODE	1SS352	(1)	223234R2
PCB1	D5707 or	C-DIODE	MA2J111	(1)	223279R2
PCB1	D5708	C-DIODE	KDS4148U	1	223283R2
PCB1	D5708 or	C-DIODE	1SS352	(1)	223234R2
PCB1	D5708 or	C-DIODE	MA2J111	(1)	223279R2
PCB1	D5709	DIODE	RL1N4003	1	22380260T
PCB1	D5714	C-DIODE	KDS4148U	1	223283R2
PCB1	D5714 or	C-DIODE	1SS352	(1)	223234R2
PCB1	D5714 or	C-DIODE	MA2J111	(1)	223279R2
PCB1	D5715	C-DIODE	KDS4148U	1	223283R2
PCB1	D5715 or	C-DIODE	1SS352	(1)	223234R2
PCB1	D5715 or	C-DIODE	MA2J111	(1)	223279R2
PCB1	D5716	C-DIODE	KDS4148U	1	223283R2
PCB1	D5716 or	C-DIODE	1SS352	(1)	223234R2
PCB1	D5716 or	C-DIODE	MA2J111	(1)	223279R2
PCB1	D5717	C-DIODE	KDS4148U	1	223283R2
PCB1	D5717 or	C-DIODE	1SS352	(1)	223234R2
PCB1	D5717 or	C-DIODE	MA2J111	(1)	223279R2
PCB1	D5718	C-DIODE	KDS4148U	1	223283R2
PCB1	D5718 or	C-DIODE	1SS352	(1)	223234R2
PCB1	D5718 or	C-DIODE	MA2J111	(1)	223279R2
PCB1	D5719	DIODE	RL1N4003	1	22380260T
PCB1	D6000	C-DIODE	KDS4148U	1	223283R2
PCB1	D6000 or	C-DIODE	1SS352	(1)	223234R2
PCB1	D6000 or	C-DIODE	MA2J111	(1)	223279R2
PCB1	D6001	C-DIODE	KDS4148U	1	223283R2
PCB1	D6001 or	C-DIODE	1SS352	(1)	223234R2
PCB1	D6001 or	C-DIODE	MA2J111	(1)	223279R2
PCB1	D6002	C-DIODE	KDS4148U	1	223283R2
PCB1	D6002 or	C-DIODE	1SS352	(1)	223234R2
PCB1	D6002 or	C-DIODE	MA2J111	(1)	223279R2
PCB1	D6003	C-DIODE	KDS4148U	1	223283R2

PCB1	D6003 or	C-DIODE	ISS352	(1)	223234R2
PCB1	D6003 or	C-DIODE	MA2J111	(1)	223279R2
PCB1	D6004	C-DIODE	KDS4148U	1	223283R2
PCB1	D6004 or	C-DIODE	ISS352	(1)	223234R2
PCB1	D6004 or	C-DIODE	MA2J111	(1)	223279R2
PCB1	D6005	C-DIODE	KDS4148U	1	223283R2
PCB1	D6005 or	C-DIODE	ISS352	(1)	223234R2
PCB1	D6005 or	C-DIODE	MA2J111	(1)	223279R2
PCB1	D6006	C-DIODE	KDS4148U	1	223283R2
PCB1	D6006 or	C-DIODE	ISS352	(1)	223234R2
PCB1	D6006 or	C-DIODE	MA2J111	(1)	223279R2
PCB1	D6010	C-DIODE	KDS4148U	1	223283R2
PCB1	D6010 or	C-DIODE	ISS352	(1)	223234R2
PCB1	D6010 or	C-DIODE	MA2J111	(1)	223279R2
PCB1	D6011	C-DIODE	KDS4148U	1	223283R2
PCB1	D6011 or	C-DIODE	ISS352	(1)	223234R2
PCB1	D6011 or	C-DIODE	MA2J111	(1)	223279R2
PCB1	D6012	C-DIODE	KDS4148U	1	223283R2
PCB1	D6012 or	C-DIODE	ISS352	(1)	223234R2
PCB1	D6012 or	C-DIODE	MA2J111	(1)	223279R2
PCB1	D6013	C-DIODE	KDS4148U	1	223283R2
PCB1	D6013 or	C-DIODE	ISS352	(1)	223234R2
PCB1	D6013 or	C-DIODE	MA2J111	(1)	223279R2
PCB1	D6014	C-DIODE	KDS4148U	1	223283R2
PCB1	D6014 or	C-DIODE	ISS352	(1)	223234R2
PCB1	D6014 or	C-DIODE	MA2J111	(1)	223279R2
PCB1	D6015	C-DIODE	KDS4148U	1	223283R2
PCB1	D6015 or	C-DIODE	ISS352	(1)	223234R2
PCB1	D6015 or	C-DIODE	MA2J111	(1)	223279R2
PCB1	D6016	C-DIODE	KDS4148U	1	223283R2
PCB1	D6016 or	C-DIODE	ISS352	(1)	223234R2
PCB1	D6016 or	C-DIODE	MA2J111	(1)	223279R2
PCB1	D6701	C-DIODE	KDS4148U	1	223283R2

PCB1	D6701 or	C-DIODE	ISS352	(1)	223234R2
PCB1	D6701 or	C-DIODE	MA2J111	(1)	223279R2
PCB1	D6702	C-DIODE	KDS4148U	1	223283R2
PCB1	D6702 or	C-DIODE	ISS352	(1)	223234R2
PCB1	D6702 or	C-DIODE	MA2J111	(1)	223279R2
PCB1	D6703	ZENER D	UDZ3.3B	1	224490330R2
PCB1	D6704	ZENER D	UDZ3.3B	1	224490330R2
PCB1	D6901	DIODE	D10XB60H	1	22380337
PCB1	D6901A	HEAT SINK	RAD-196	1	27160545
PCB1	D6901C	SCREW	3P+10FN(3BC)	2	82143010GR
PCB1	D6902	C-DIODE	KDS4148U	1	223283R2
PCB1	D6902 or	C-DIODE	ISS352	(1)	223234R2
PCB1	D6902 or	C-DIODE	MA2J111	(1)	223279R2
PCB1	D6903	DIODE	D10XB60H	1	22380337
PCB1	D9001	DIODE	RL1N4003	1	22380260T
PCB1	D9002	DIODE	RL1N4003	1	22380260T
PCB1	D9003	DIODE	RL1N4003	1	22380260T
PCB1	D9004	DIODE	RL1N4003	1	22380260T
PCB1	C5000	TF C	ECQ-B50V-221K	1	374722215T
PCB1	C5001	TF C	ECQ-B50V-221K	1	374722215T
PCB1	C5002	TF C	ECQ-B50V-221K	1	374722215T
PCB1	C5003	TF C	ECQ-B50V-221K	1	374722215T
PCB1	C5004	TF C	ECQ-B50V-221K	1	374722215T
PCB1	C5005	TF C	ECQ-B50V-221K	1	374722215T
PCB1	C5006	TF C	ECQ-B50V-221K	1	374722215T
PCB1	C5010	UTSP C	CE04W50V 47M(UTSP)	1	397584707T
PCB1	C5011	UTSP C	CE04W50V 47M(UTSP)	1	397584707T
PCB1	C5012	UTSP C	CE04W50V 47M(UTSP)	1	397584707T
PCB1	C5013	UTSP C	CE04W50V 47M(UTSP)	1	397584707T
PCB1	C5014	UTSP C	CE04W50V 47M(UTSP)	1	397584707T
PCB1	C5015	UTSP C	CE04W50V 47M(UTSP)	1	397584707T
PCB1	C5016	UTSP C	CE04W50V 47M(UTSP)	1	397584707T
PCB1	C5020	UTSP C	CE04W50V-10M(UTSP)	1	397581007T

PCB1	C5021	UTSP C	CE04W50V-10M(UTSP)	1	397581007T
PCB1	C5022	UTSP C	CE04W50V-10M(UTSP)	1	397581007T
PCB1	C5023	UTSP C	CE04W50V-10M(UTSP)	1	397581007T
PCB1	C5024	UTSP C	CE04W50V-10M(UTSP)	1	397581007T
PCB1	C5025	UTSP C	CE04W50V-10M(UTSP)	1	397581007T
PCB1	C5026	UTSP C	CE04W50V-10M(UTSP)	1	397581007T
PCB1	C5040	UTSP C	CE04W25V-220M(UTSP)	1	397552217T
PCB1	C5041	UTSP C	CE04W25V-220M(UTSP)	1	397552217T
PCB1	C5042	UTSP C	CE04W25V-220M(UTSP)	1	397552217T
PCB1	C5043	UTSP C	CE04W25V-220M(UTSP)	1	397552217T
PCB1	C5044	UTSP C	CE04W25V-220M(UTSP)	1	397552217T
PCB1	C5045	UTSP C	CE04W25V-220M(UTSP)	1	397552217T
PCB1	C5046	UTSP C	CE04W25V-220M(UTSP)	1	397552217T
PCB1	C5050	UTSP C	CE04W50V 47M(UTSP)	1	397584707T
PCB1	C5051	UTSP C	CE04W50V 47M(UTSP)	1	397584707T
PCB1	C5052	UTSP C	CE04W50V 47M(UTSP)	1	397584707T
PCB1	C5053	UTSP C	CE04W50V 47M(UTSP)	1	397584707T
PCB1	C5054	UTSP C	CE04W50V 47M(UTSP)	1	397584707T
PCB1	C5055	UTSP C	CE04W50V 47M(UTSP)	1	397584707T
PCB1	C5056	UTSP C	CE04W50V 47M(UTSP)	1	397584707T
PCB1	C5080	CERA C	CC45SL50V-040C	1	345020401T
PCB1	C5081	CERA C	CC45SL50V-040C	1	345020401T
PCB1	C5082	CERA C	CC45SL50V-040C	1	345020401T
PCB1	C5083	CERA C	CC45SL50V-040C	1	345020401T
PCB1	C5084	CERA C	CC45SL50V-040C	1	345020401T
PCB1	C5085	CERA C	CC45SL50V-040C	1	345020401T
PCB1	C5086	CERA C	CC45SL50V-040C	1	345020401T
PCB1	C5090	TF C	ECQ-B50V-101K	1	374721015T
PCB1	C5091	TF C	ECQ-B50V-101K	1	374721015T
PCB1	C5092	TF C	ECQ-B50V-101K	1	374721015T
PCB1	C5093	TF C	ECQ-B50V-101K	1	374721015T
PCB1	C5094	TF C	ECQ-B50V-101K	1	374721015T
PCB1	C5095	TF C	ECQ-B50V-101K	1	374721015T

PCB1	C5096	TF C	ECQ-B50V-101K	1	374721015T
PCB1	C5100	VR C	CE04W100V-22M(VR)	1	394692207T
PCB1	C5101	VR C	CE04W100V-22M(VR)	1	394692207T
PCB1	C5102	VR C	CE04W100V-22M(VR)	1	394692207T
PCB1	C5103	VR C	CE04W100V-22M(VR)	1	394692207T
PCB1	C5104	VR C	CE04W100V-22M(VR)	1	394692207T
PCB1	C5105	VR C	CE04W100V-22M(VR)	1	394692207T
PCB1	C5106	VR C	CE04W100V-22M(VR)	1	394692207T
PCB1	C5110	VR C	CE04W100V-22M(VR)	1	394692207T
PCB1	C5111	VR C	CE04W100V-22M(VR)	1	394692207T
PCB1	C5112	VR C	CE04W100V-22M(VR)	1	394692207T
PCB1	C5113	VR C	CE04W100V-22M(VR)	1	394692207T
PCB1	C5114	VR C	CE04W100V-22M(VR)	1	394692207T
PCB1	C5115	VR C	CE04W100V-22M(VR)	1	394692207T
PCB1	C5116	VR C	CE04W100V-22M(VR)	1	394692207T
PCB1	C5503	TF C	ECQ-B50V-221K	1	374722215T
PCB1	C5504	TF C	ECQ-B50V-221K	1	374722215T
PCB1	C5507	C-CERA C	CC725CH1H-221J1	1	342102214R1
PCB1	C5508	C-CERA C	CC725CH1H-221J1	1	342102214R1
PCB1	C5513	C-CERA C	CC725CH1H-221J1	1	342102214R1
PCB1	C5514	C-CERA C	CC725CH1H-221J1	1	342102214R1
PCB1	C5517	C-CERA C	CC725CH1H-221J1	1	342102214R1
PCB1	C5518	C-CERA C	CC725CH1H-221J1	1	342102214R1
PCB1	C5519	TF C	ECQ-B50V-221K	1	374722215T
PCB1	C5520	TF C	ECQ-B50V-221K	1	374722215T
PCB1	C5521	C-CERA C	CC725CH1H-221J1	1	342102214R1
PCB1	C5522	C-CERA C	CC725CH1H-221J1	1	342102214R1
PCB1	C5523	C-CERA C	CC725CH1H-221J1	1	342102214R1
PCB1	C5524	TF C	ECQ-B50V-221K	1	374722215T
PCB1	C5525	C-CERA C	CC725CH1H-221J1	1	342102214R1
PCB1	C5526	C-CERA C	CC725CH1H-221J1	1	342102214R1
PCB1	C5527	C-CERA C	CC725CH1H-221J1	1	342102214R1
PCB1	C5528	C-CERA C	CC725CH1H-221J1	1	342102214R1

PCB1	C5531	C-CERA C	CC725CH1H-221J1	1	342102214R1
PCB1	C5551	UTSP C	CE04W25V-47M(UTSP)	1	397554707T
PCB1	C5552	UTSP C	CE04W25V-47M(UTSP)	1	397554707T
PCB1	C5553	UTSP C	CE04W25V-47M(UTSP)	1	397554707T
PCB1	C5554	UTSP C	CE04W25V-47M(UTSP)	1	397554707T
PCB1	C5555	UTSP C	CE04W25V-47M(UTSP)	1	397554707T
PCB1	C5556	UTSP C	CE04W25V-47M(UTSP)	1	397554707T
PCB1	C5557	UTSP C	CE04W25V-47M(UTSP)	1	397554707T
PCB1	C5558	UTSP C	CE04W25V-47M(UTSP)	1	397554707T
PCB1	C5559	TF C	ECQ-V50V-474J	1	374724744T
PCB1	C5560	TF C	ECQ-V50V-823J	1	374728234T
PCB1	C5561	TF C	ECQ-B50V-223J	1	374722234T
PCB1	C5562	TF C	ECQ-V50V-474J	1	374724744T
PCB1	C5563	TF C	ECQ-V50V-823J	1	374728234T
PCB1	C5564	TF C	ECQ-B50V-223J	1	374722234T
PCB1	C5565	UTSP C	CE04W25V-47M(UTSP)	1	397554707T
PCB1	C5566	UTSP C	CE04W25V-47M(UTSP)	1	397554707T
PCB1	C5569	UTSP C	CE04W25V-47M(UTSP)	1	397554707T
PCB1	C5570	UTSP C	CE04W25V-47M(UTSP)	1	397554707T
PCB1	C5571	UTSP C	CE04W25V-47M(UTSP)	1	397554707T
PCB1	C5572	UTSP C	CE04W25V-47M(UTSP)	1	397554707T
PCB1	C5573	UTSP C	CE04W25V-47M(UTSP)	1	397554707T
PCB1	C5574	UTSP C	CE04W25V-47M(UTSP)	1	397554707T
PCB1	C5575	UTSP C	CE04W25V-47M(UTSP)	1	397554707T
PCB1	C5576	UTSP C	CE04W25V-47M(UTSP)	1	397554707T
PCB1	C5590	C-CERA C	CC725CH1H-330J1	1	342103304R1
PCB1	C5591	C-CERA C	CC725CH1H-330J1	1	342103304R1
PCB1	C5600	UTSP C	CE04W25V-100M(UTSP)	1	397551017T
PCB1	C5601	UTSP C	CE04W25V-47M(UTSP)	1	397554707T
PCB1	C5602	UTSP C	CE04W25V-47M(UTSP)	1	397554707T
PCB1	C5603	UTSP C	CE04W25V-47M(UTSP)	1	397554707T
PCB1	C5604	UTSP C	CE04W25V-47M(UTSP)	1	397554707T
PCB1	C5605	UTSP C	CE04W25V-47M(UTSP)	1	397554707T

PCB1	C5606	UTSP C	CE04W25V-47M(UTSP)	1	397554707T
PCB1	C5607	UTSP C	CE04W25V-47M(UTSP)	1	397554707T
PCB1	C5608	UTSP C	CE04W25V-47M(UTSP)	1	397554707T
PCB1	C5609	UTSP C	CE04W25V-47M(UTSP)	1	397554707T
PCB1	C5630	UTSP C	CE04W25V-47M(UTSP)	1	397554707T
PCB1	C5631	C-CERA C	CC725CH1H-221J1	1	342102214R1
PCB1	C5632	TF C	ECQ-B50V-103J	1	374721034T
PCB1	C5666	UTSP C	CE04W25V-220M(UTSP)	1	397552217T
PCB1	C5667	UTSP C	CE04W25V-220M(UTSP)	1	397552217T
PCB1	C5670	UTSP C	CE04W50V-10M(UTSP)	1	397581007T
PCB1	C5671	UTSP C	CE04W50V-10M(UTSP)	1	397581007T
PCB1	C5672	UTSP C	CE04W25V-220M(UTSP)	1	397552217T
PCB1	C5673	UTSP C	CE04W25V-220M(UTSP)	1	397552217T
PCB1	C5674	UTSP C	CE04W16V-470M(UTSP)	1	397544717T
PCB1	C5675	UTSP C	CE04W16V-470M(UTSP)	1	397544717T
PCB1	C5704	C-CERA C	CC725CH1H-221J1	1	342102214R1
PCB1	C5705	C-CERA C	CC725CH1H-221J1	1	342102214R1
PCB1	C5706	C-CERA C	CC725CH1H-221J1	1	342102214R1
PCB1	C5707	C-CERA C	CK725B1H-103K1	1	332101035R1
PCB1	C5708	C-CERA C	CK725B1H-103K1	1	332101035R1
PCB1	C5709	UTSP C	CE04W25V-47M(UTSP)	1	397554707T
PCB1	C5710	UTSP C	CE04W25V-47M(UTSP)	1	397554707T
PCB1	C6030	TF C	ECQ-V50V-473J	1	374724734T
PCB1	C6031	TF C	ECQ-V50V-473J	1	374724734T
PCB1	C6032	TF C	ECQ-V50V-473J	1	374724734T
PCB1	C6033	TF C	ECQ-V50V-473J	1	374724734T
PCB1	C6034	TF C	ECQ-V50V-473J	1	374724734T
PCB1	C6035	TF C	ECQ-V50V-473J	1	374724734T
PCB1	C6036	TF C	ECQ-V50V-473J	1	374724734T
PCB1	C6040	UTSP C	CE04W50V 47M(UTSP)	1	397584707T
PCB1	C6041	UTSP C	CE04W50V 47M(UTSP)	1	397584707T
PCB1	C6042	UTSP C	CE04W50V 47M(UTSP)	1	397584707T
PCB1	C6043	UTSP C	CE04W50V 47M(UTSP)	1	397584707T

PCB1	C6044	UTSP C	CE04W50V 47M(UTSP)	1	397584707T	
PCB1	C6045	UTSP C	CE04W50V 47M(UTSP)	1	397584707T	
PCB1	C6046	UTSP C	CE04W50V 47M(UTSP)	1	397584707T	
PCB1	C6050	TF C	ECQ-B50V-103J	1	374721034T	
PCB1	C6051	TF C	ECQ-B50V-103J	1	374721034T	
PCB1	C6052	TF C	ECQ-B50V-103J	1	374721034T	
PCB1	C6053	TF C	ECQ-B50V-103J	1	374721034T	
PCB1	C6054	TF C	ECQ-B50V-103J	1	374721034T	
PCB1	C6055	TF C	ECQ-B50V-103J	1	374721034T	
PCB1	C6056	TF C	ECQ-B50V-103J	1	374721034T	
PCB1	C6076	TF C	ECQ-B50V-102J	1	374721024T	<PP, PB, GK, GQ, GR>
PCB1	C6076	TF C	ECQ-B50V-102J	1	374721024T	<WT, WO, WF>
PCB1	C6077	TF C	ECQ-B50V-102J	1	374721024T	<PP, PB, GK, GQ, GR>
PCB1	C6077	TF C	ECQ-B50V-102J	1	374721024T	<WT, WO, WF>
PCB1	C6086	TF C	ECQ-B50V-103J	1	374721034T	<PP, PB, GK, GQ, GR>
PCB1	C6086	TF C	ECQ-B50V-103J	1	374721034T	<WT, WO, WF>
PCB1	C6087	TF C	ECQ-B50V-103J	1	374721034T	<PP, PB, GK, GQ, GR>
PCB1	C6087	TF C	ECQ-B50V-103J	1	374721034T	<WT, WO, WF>
PCB1	C6630	C-CERA C	CK725F1E-104Z1	1	332161040R1	
PCB1	C6701	UTSP C	CE04W25V-100M(UTSP)	1	397551017T	
PCB1	C6703	C-CERA C	CK725F1H-104Z1	1	332151040R1	
PCB1	C6704	UTSP C	CE04W50V-1M(UTSP)	1	397580107T	
PCB1	C6706	UTSP C	CE04W50V-10M(UTSP)	1	397581007T	
PCB1	C6901	ELECT C	CE69W63V-8200MB	1	3504420	
PCB1	C6901 or	ELECT C	CE69W63V-8200MA	(1)	3504419	
PCB1	C6901A	IB CUSHION	W15*3t TAPE	1	28141585	
PCB1	C6902	ELECT C	CE69W63V-8200MB	1	3504420	
PCB1	C6902 or	ELECT C	CE69W63V-8200MA	(1)	3504419	
PCB1	C6902A	IB CUSHION	W15*3t TAPE	1	28141585	
PCB1	C6911	C-CERA C	CC725CH1H-102J1	1	342101024R1	
PCB1	C6912	TF C	ECQ-V50V-334J	1	374723344T	
PCB1	C6913	TF C	ECQ-V50V-334J	1	374723344T	
PCB1	C6915	TF C	ECQ-V50V-104J	1	374721044T	

PCB1	C6916	TF C	ECQ-V50V-104J	1	374721044T
PCB1	C9001	MMT C	MMT50V-334J	1	375523344T
PCB1	C9003	VR C	CE04W35V-1000M(VR)	1	394661027S
PCB1	C9004	VR C	CE04W35V-470M(VR)	1	394664717T
PCB1	R5000	CARBON R	R16J-1K	1	417341024T
PCB1	R5001	CARBON R	R16J-1K	1	417341024T
PCB1	R5002	CARBON R	R16J-1K	1	417341024T
PCB1	R5003	CARBON R	R16J-1K	1	417341024T
PCB1	R5004	CARBON R	R16J-1K	1	417341024T
PCB1	R5005	CARBON R	R16J-1K	1	417341024T
PCB1	R5006	CARBON R	R16J-1K	1	417341024T
PCB1	R5010	CARBON R	R16J-56K	1	417345634T
PCB1	R5011	CARBON R	R16J-56K	1	417345634T
PCB1	R5012	CARBON R	R16J-56K	1	417345634T
PCB1	R5013	CARBON R	R16J-56K	1	417345634T
PCB1	R5014	CARBON R	R16J-56K	1	417345634T
PCB1	R5015	CARBON R	R16J-56K	1	417345634T
PCB1	R5016	CARBON R	R16J-56K	1	417345634T
PCB1	R5020	CARBON R	R16J-330	1	417343314T
PCB1	R5021	CARBON R	R16J-330	1	417343314T
PCB1	R5022	CARBON R	R16J-330	1	417343314T
PCB1	R5023	CARBON R	R16J-330	1	417343314T
PCB1	R5024	CARBON R	R16J-330	1	417343314T
PCB1	R5025	CARBON R	R16J-330	1	417343314T
PCB1	R5026	CARBON R	R16J-330	1	417343314T
PCB1	R5030	CARBON R	R16J-120K	1	417341244T
PCB1	R5031	CARBON R	R16J-120K	1	417341244T
PCB1	R5032	CARBON R	R16J-120K	1	417341244T
PCB1	R5033	CARBON R	R16J-120K	1	417341244T
PCB1	R5034	CARBON R	R16J-120K	1	417341244T
PCB1	R5035	CARBON R	R16J-120K	1	417341244T
PCB1	R5036	CARBON R	R16J-120K	1	417341244T
PCB1	R5040	CARBON R	R16J-2.2K	1	417342224T

PCB1	R5041	CARBON R	R16J-2.2K	1	417342224T
PCB1	R5042	CARBON R	R16J-2.2K	1	417342224T
PCB1	R5043	CARBON R	R16J-2.2K	1	417342224T
PCB1	R5044	CARBON R	R16J-2.2K	1	417342224T
PCB1	R5045	CARBON R	R16J-2.2K	1	417342224T
PCB1	R5046	CARBON R	R16J-2.2K	1	417342224T
PCB1	R5050	CARBON R	R16J-4.7K	1	417344724T
PCB1	R5051	CARBON R	R16J-4.7K	1	417344724T
PCB1	R5052	CARBON R	R16J-4.7K	1	417344724T
PCB1	R5053	CARBON R	R16J-4.7K	1	417344724T
PCB1	R5054	CARBON R	R16J-4.7K	1	417344724T
PCB1	R5055	CARBON R	R16J-4.7K	1	417344724T
PCB1	R5056	CARBON R	R16J-4.7K	1	417344724T
PCB1	R5060	CARBON R	R16J-1.2K	1	417341224T
PCB1	R5061	CARBON R	R16J-1.2K	1	417341224T
PCB1	R5062	CARBON R	R16J-1.2K	1	417341224T
PCB1	R5063	CARBON R	R16J-1.2K	1	417341224T
PCB1	R5064	CARBON R	R16J-1.2K	1	417341224T
PCB1	R5065	CARBON R	R16J-1.2K	1	417341224T
PCB1	R5066	CARBON R	R16J-1.2K	1	417341224T
PCB1	R5080	CARBON R	R16J-470	1	417344714T
PCB1	R5081	CARBON R	R16J-470	1	417344714T
PCB1	R5082	CARBON R	R16J-470	1	417344714T
PCB1	R5083	CARBON R	R16J-470	1	417344714T
PCB1	R5084	CARBON R	R16J-470	1	417344714T
PCB1	R5085	CARBON R	R16J-470	1	417344714T
PCB1	R5086	CARBON R	R16J-470	1	417344714T
PCB1	R5090	CARBON R	R16J-100K	1	417341044T
PCB1	R5091	CARBON R	R16J-100K	1	417341044T
PCB1	R5092	CARBON R	R16J-100K	1	417341044T
PCB1	R5093	CARBON R	R16J-100K	1	417341044T
PCB1	R5094	CARBON R	R16J-100K	1	417341044T
PCB1	R5095	CARBON R	R16J-100K	1	417341044T

PCB1	R5096	CARBON R	R16J-100K	1	417341044T
PCB1	R5100	CARBON R	R16J-100K	1	417341044T
PCB1	R5101	CARBON R	R16J-100K	1	417341044T
PCB1	R5102	CARBON R	R16J-100K	1	417341044T
PCB1	R5103	CARBON R	R16J-100K	1	417341044T
PCB1	R5104	CARBON R	R16J-100K	1	417341044T
PCB1	R5105	CARBON R	R16J-100K	1	417341044T
PCB1	R5106	CARBON R	R16J-100K	1	417341044T
PCB1	R5110	CARBON R	R16J-1K	1	417341024T
PCB1	R5111	CARBON R	R16J-1K	1	417341024T
PCB1	R5112	CARBON R	R16J-1K	1	417341024T
PCB1	R5113	CARBON R	R16J-1K	1	417341024T
PCB1	R5114	CARBON R	R16J-1K	1	417341024T
PCB1	R5115	CARBON R	R16J-1K	1	417341024T
PCB1	R5116	CARBON R	R16J-1K	1	417341024T
PCB1	R5130	CARBON R	R16J-18K	1	417341834T
PCB1	R5130	CARBON R	R16J-18K	1	417341834T
PCB1	R5131	CARBON R	R16J-18K	1	417341834T
PCB1	R5132	CARBON R	R16J-18K	1	417341834T
PCB1	R5133	CARBON R	R16J-22K	1	417342234T
PCB1	R5134	CARBON R	R16J-22K	1	417342234T
PCB1	R5135	CARBON R	R16J-22K	1	417342234T
PCB1	R5136	CARBON R	R16J-22K	1	417342234T
PCB1	R5160	NF CARBON R	R25J-100	1	415471014T
PCB1	R5161	NF CARBON R	R25J-100	1	415471014T
PCB1	R5162	NF CARBON R	R25J-100	1	415471014T
PCB1	R5163	NF CARBON R	R25J-100	1	415471014T
PCB1	R5164	NF CARBON R	R25J-100	1	415471014T
PCB1	R5165	NF CARBON R	R25J-100	1	415471014T
PCB1	R5166	NF CARBON R	R25J-100	1	415471014T
PCB1	R5170	NF CARBON R	R25J-100	1	415471014T
PCB1	R5171	NF CARBON R	R25J-100	1	415471014T
PCB1	R5172	NF CARBON R	R25J-100	1	415471014T

PCB1	R5173	NF CARBON R	R25J-100	1	415471014T
PCB1	R5174	NF CARBON R	R25J-100	1	415471014T
PCB1	R5175	NF CARBON R	R25J-100	1	415471014T
PCB1	R5176	NF CARBON R	R25J-100	1	415471014T
PCB1	R5180	NF CARBON R	R25J-10	1	415471004T
PCB1	R5181	NF CARBON R	R25J-10	1	415471004T
PCB1	R5182	NF CARBON R	R25J-10	1	415471004T
PCB1	R5183	NF CARBON R	R25J-10	1	415471004T
PCB1	R5184	NF CARBON R	R25J-10	1	415471004T
PCB1	R5185	NF CARBON R	R25J-10	1	415471004T
PCB1	R5186	NF CARBON R	R25J-10	1	415471004T
PCB1	R5190	NF CARBON R	R25J-10	1	415471004T
PCB1	R5191	NF CARBON R	R25J-10	1	415471004T
PCB1	R5192	NF CARBON R	R25J-10	1	415471004T
PCB1	R5193	NF CARBON R	R25J-10	1	415471004T
PCB1	R5194	NF CARBON R	R25J-10	1	415471004T
PCB1	R5195	NF CARBON R	R25J-10	1	415471004T
PCB1	R5196	NF CARBON R	R25J-10	1	415471004T
PCB1	R5200	CARBON R	R16J-18K	1	417341834T
PCB1	R5200	CARBON R	R16J-18K	1	
PCB1	R5201	CARBON R	R16J-18K	1	417341834T
PCB1	R5202	CARBON R	R16J-18K	1	417341834T
PCB1	R5203	CARBON R	R16J-22K	1	417342234T
PCB1	R5204	CARBON R	R16J-22K	1	417342234T
PCB1	R5205	CARBON R	R16J-22K	1	417342234T
PCB1	R5206	CARBON R	R16J-22K	1	417342234T
PCB1	R5230	CARBON R	R16J-120K	1	417341244T
PCB1	R5231	CARBON R	R16J-120K	1	417341244T
PCB1	R5232	CARBON R	R16J-120K	1	417341244T
PCB1	R5233	CARBON R	R16J-120K	1	417341244T
PCB1	R5234	CARBON R	R16J-120K	1	417341244T
PCB1	R5235	CARBON R	R16J-120K	1	417341244T
PCB1	R5236	CARBON R	R16J-120K	1	417341244T

PCB1	R5500	C-CARBON R	RN72K1J-331JE	1	435033314R1
PCB1	R5503	C-CARBON R	RN72K1J-331JE	1	435033314R1
PCB1	R5504	C-CARBON R	RN72K1J-331JE	1	435033314R1
PCB1	R5505	C-CARBON R	RN72K1J-222JE	1	435032224R1
PCB1	R5506	C-CARBON R	RN72K1J-222JE	1	435032224R1
PCB1	R5507	C-CARBON R	RN72K1J-331JE	1	435033314R1
PCB1	R5508	C-CARBON R	RN72K1J-331JE	1	435033314R1
PCB1	R5513	C-CARBON R	RN72K1J-331JE	1	435033314R1
PCB1	R5514	C-CARBON R	RN72K1J-331JE	1	435033314R1
PCB1	R5515	C-CARBON R	RN72K1J-222JE	1	435032224R1
PCB1	R5516	C-CARBON R	RN72K1J-222JE	1	435032224R1
PCB1	R5517	C-CARBON R	RN72K1J-331JE	1	435033314R1
PCB1	R5518	C-CARBON R	RN72K1J-331JE	1	435033314R1
PCB1	R5519	C-CARBON R	RN72K1J-331JE	1	435033314R1
PCB1	R5520	C-CARBON R	RN72K1J-331JE	1	435033314R1
PCB1	R5521	C-CARBON R	RN72K1J-331JE	1	435033314R1
PCB1	R5522	C-CARBON R	RN72K1J-331JE	1	435033314R1
PCB1	R5523	C-CARBON R	RN72K1J-331JE	1	435033314R1
PCB1	R5524	C-CARBON R	RN72K1J-331JE	1	435033314R1
PCB1	R5525	C-CARBON R	RN72K1J-331JE	1	435033314R1
PCB1	R5526	C-CARBON R	RN72K1J-331JE	1	435033314R1
PCB1	R5527	C-CARBON R	RN72K1J-331JE	1	435033314R1
PCB1	R5528	C-CARBON R	RN72K1J-331JE	1	435033314R1
PCB1	R5531	C-CARBON R	RN72K1J-101JE	1	435031014R1
PCB1	R5541	C-CARBON R	RN72K1J-224JE	1	435032244R1
PCB1	R5542	C-CARBON R	RN72K1J-224JE	1	435032244R1
PCB1	R5543	C-CARBON R	RN72K1J-224JE	1	435032244R1
PCB1	R5544	C-CARBON R	RN72K1J-224JE	1	435032244R1
PCB1	R5545	C-CARBON R	RN72K1J-224JE	1	435032244R1
PCB1	R5546	C-CARBON R	RN72K1J-224JE	1	435032244R1
PCB1	R5547	C-CARBON R	RN72K1J-224JE	1	435032244R1
PCB1	R5548	C-CARBON R	RN72K1J-224JE	1	435032244R1
PCB1	R5553	C-CARBON R	RN72K1J-224JE	1	435032244R1

PCB1	R5554	C-CARBON R	RN72K1J-224JE	1	435032244R1
PCB1	R5555	C-CARBON R	RN72K1J-224JE	1	435032244R1
PCB1	R5556	C-CARBON R	RN72K1J-224JE	1	435032244R1
PCB1	R5557	C-CARBON R	RN72K1J-224JE	1	435032244R1
PCB1	R5558	C-CARBON R	RN72K1J-224JE	1	435032244R1
PCB1	R5559	C-CARBON R	RN72K1J-224JE	1	435032244R1
PCB1	R5560	C-CARBON R	RN72K1J-224JE	1	435032244R1
PCB1	R5561	C-CARBON R	RN72K1J-224JE	1	435032244R1
PCB1	R5562	C-CARBON R	RN72K1J-224JE	1	435032244R1
PCB1	R5563	C-CARBON R	RN72K1J-224JE	1	435032244R1
PCB1	R5564	C-CARBON R	RN72K1J-224JE	1	435032244R1
PCB1	R5565	C-CARBON R	RN72K1J-224JE	1	435032244R1
PCB1	R5566	C-CARBON R	RN72K1J-224JE	1	435032244R1
PCB1	R5567	C-CARBON R	RN72K1J-222JE	1	435032224R1
PCB1	R5568	C-CARBON R	RN72K1J-222JE	1	435032224R1
PCB1	R5571	C-CARBON R	RN72K1J-223JE	1	435032234R1
PCB1	R5575	C-CARBON R	RN72K1J-224JE	1	435032244R1
PCB1	R5576	C-CARBON R	RN72K1J-224JE	1	435032244R1
PCB1	R5577	C-CARBON R	RN72K1J-103JE	1	435031034R1
PCB1	R5578	C-CARBON R	RN72K1J-103JE	1	435031034R1
PCB1	R5579	C-CARBON R	RN72K1J-224JE	1	435032244R1
PCB1	R5585	C-CARBON R	RN72K1J-182JE	1	435031824R1
PCB1	R5586	C-CARBON R	RN72K1J-182JE	1	435031824R1
PCB1	R5587	C-CARBON R	RN72K1J-103JE	1	435031034R1
PCB1	R5588	C-CARBON R	RN72K1J-103JE	1	435031034R1
PCB1	R5589	CARBON R	R16J-1K	1	417341024T
PCB1	R5590	C-CARBON R	RN72K1J-103JE	1	435031034R1
PCB1	R5591	C-CARBON R	RN72K1J-103JE	1	435031034R1
PCB1	R5592	C-CARBON R	RN72K1J-471JE	1	435034714R1
PCB1	R5593	C-CARBON R	RN72K1J-122JE	1	435031224R1
PCB1	R5594	C-CARBON R	RN72K1J-103JE	1	435031034R1
PCB1	R5595	C-CARBON R	RN72K1J-103JE	1	435031034R1
PCB1	R5596	C-CARBON R	RN72K1J-471JE	1	435034714R1

PCB1	R5597	C-CARBON R	RN72K1J-122JE	1	435031224R1
PCB1	R5598	C-CARBON R	RN72K1J-103JE	1	435031034R1
PCB1	R5599	C-CARBON R	RN72K1J-103JE	1	435031034R1
PCB1	R5600	C-CARBON R	RN72K1J-224JE	1	435032244R1
PCB1	R5601	C-CARBON R	RN72K1J-224JE	1	435032244R1
PCB1	R5602	C-CARBON R	RN72K1J-224JE	1	435032244R1
PCB1	R5603	C-CARBON R	RN72K1J-224JE	1	435032244R1
PCB1	R5604	C-CARBON R	RN72K1J-224JE	1	435032244R1
PCB1	R5605	C-CARBON R	RN72K1J-224JE	1	435032244R1
PCB1	R5606	C-CARBON R	RN72K1J-224JE	1	435032244R1
PCB1	R5607	C-CARBON R	RN72K1J-224JE	1	435032244R1
PCB1	R5608	C-CARBON R	RN72K1J-224JE	1	435032244R1
PCB1	R5609	C-CARBON R	RN72K1J-224JE	1	435032244R1
PCB1	R5610	C-CARBON R	RN72K1J-271JE	1	435032714R1
PCB1	R5611	C-CARBON R	RN72K1J-222JE	1	435032224R1
PCB1	R5612	C-CARBON R	RN72K1J-222JE	1	435032224R1
PCB1	R5613	C-CARBON R	RN72K1J-222JE	1	435032224R1
PCB1	R5614	C-CARBON R	RN72K1J-222JE	1	435032224R1
PCB1	R5615	C-CARBON R	RN72K1J-222JE	1	435032224R1
PCB1	R5616	C-CARBON R	RN72K1J-222JE	1	435032224R1
PCB1	R5617	C-CARBON R	RN72K1J-222JE	1	435032224R1
PCB1	R5618	C-CARBON R	RN72K1J-222JE	1	435032224R1
PCB1	R5619	C-CARBON R	RN72K1J-222JE	1	435032224R1
PCB1	R5620	C-CARBON R	RN72K1J-101JE	1	435031014R1
PCB1	R5621	C-CARBON R	RN72K1J-000JE	1	435030004R1
PCB1	R5622	C-CARBON R	RN72K1J-000JE	1	435030004R1
PCB1	R5623	C-CARBON R	RN72K1J-000JE	1	435030004R1
PCB1	R5624	C-CARBON R	RN72K1J-000JE	1	435030004R1
PCB1	R5625	C-CARBON R	RN72K1J-000JE	1	435030004R1
PCB1	R5626	C-CARBON R	RN72K1J-000JE	1	435030004R1
PCB1	R5627	C-CARBON R	RN72K1J-000JE	1	435030004R1
PCB1	R5630	C-CARBON R	RN72K1J-221JE	1	435032214R1
PCB1	R5631	C-CARBON R	RN72K1J-473JE	1	435034734R1

PCB1	R5632	C-CARBON R	RN72K1J-153JE	1	435031534R1
PCB1	R5633	C-CARBON R	RN72K1J-122JE	1	435031224R1
PCB1	R5634	C-CARBON R	RN72K1J-103JE	1	435031034R1
PCB1	R5660	METAL R	RNU1WCJ-2.2	1	453630224T
PCB1	R5661	METAL R	RNU1WCJ-2.2	1	453630224T
PCB1	R5666	CARBON R	R16J-22	1	417342204T
PCB1	R5667	CARBON R	R16J-22	1	417342204T
PCB1	R5670	METAL O R	RS2WBJ-10	1	441721004F
PCB1	R5671	METAL O R	RS2WBJ-27	1	441722704F
PCB1	R5672	METAL O R	RS2WBJ-10	1	441721004F
PCB1	R5673	METAL O R	RS2WBJ-27	1	441722704F
PCB1	R5674	METAL O R	RS1WBJ-68	1	443626804T
PCB1	R5675	METAL O R	RS1WBJ-68	1	443626804T
PCB1	R5680	C-CARBON R	RN72K1J-224JE	1	435032244R1
PCB1	R5681	C-CARBON R	RN72K1J-224JE	1	435032244R1
PCB1	R5682	C-CARBON R	RN72K1J-224JE	1	435032244R1
PCB1	R5683	METAL O R	RS1WBJ-68	1	443626804T
PCB1	R5684	METAL O R	RS1WBJ-68	1	443626804T
PCB1	R5689	C-CARBON R	RN72K1J-224JE	1	435032244R1
PCB1	R5690	C-CARBON R	RN72K1J-224JE	1	435032244R1
PCB1	R5691	C-CARBON R	RN72K1J-224JE	1	435032244R1
PCB1	R5692	C-CARBON R	RN72K1J-224JE	1	435032244R1
PCB1	R5693	C-CARBON R	RN72K1J-224JE	1	435032244R1
PCB1	R5694	C-CARBON R	RN72K1J-224JE	1	435032244R1
PCB1	R5695	C-CARBON R	RN72K1J-224JE	1	435032244R1
PCB1	R5813	C-CARBON R	RN72K1J-000JE	1	435030004R1
PCB1	R5820	C-CARBON R	RN72K1J-000JE	1	435030004R1
PCB1	R5822	C-CARBON R	RN72K1J-000JE	1	435030004R1
PCB1	R5823	C-CARBON R	RN72K1J-000JE	1	435030004R1
PCB1	R5824	C-CARBON R	RN72K1J-000JE	1	435030004R1
PCB1	R5825	C-CARBON R	RN72K1J-000JE	1	435030004R1
PCB1	R5826	C-CARBON R	RN72K1J-000JE	1	435030004R1
PCB1	R6000	CARBON R	R16J-5.6K	1	417345624T

PCB1	R6001	CARBON R	R16J-5.6K	1	417345624T
PCB1	R6002	CARBON R	R16J-5.6K	1	417345624T
PCB1	R6003	CARBON R	R16J-5.6K	1	417345624T
PCB1	R6004	CARBON R	R16J-5.6K	1	417345624T
PCB1	R6005	CARBON R	R16J-5.6K	1	417345624T
PCB1	R6006	CARBON R	R16J-5.6K	1	417345624T
PCB1	R6010	CARBON R	R16J-3.9K	1	417343924T
PCB1	R6011	CARBON R	R16J-3.9K	1	417343924T
PCB1	R6012	CARBON R	R16J-3.9K	1	417343924T
PCB1	R6013	CARBON R	R16J-3.9K	1	417343924T
PCB1	R6014	CARBON R	R16J-3.9K	1	417343924T
PCB1	R6015	CARBON R	R16J-3.9K	1	417343924T
PCB1	R6016	CARBON R	R16J-3.9K	1	417343924T
PCB1	R6020	NF CARBON R	R25J-2.2	1	415470224T
PCB1	R6021	NF CARBON R	R25J-2.2	1	415470224T
PCB1	R6022	NF CARBON R	R25J-2.2	1	415470224T
PCB1	R6023	NF CARBON R	R25J-2.2	1	415470224T
PCB1	R6024	NF CARBON R	R25J-2.2	1	415470224T
PCB1	R6025	NF CARBON R	R25J-2.2	1	415470224T
PCB1	R6026	NF CARBON R	R25J-2.2	1	415470224T
PCB1	R6030	CARBON R	R16J-470	1	417344714T
PCB1	R6031	CARBON R	R16J-470	1	417344714T
PCB1	R6032	CARBON R	R16J-470	1	417344714T
PCB1	R6033	CARBON R	R16J-470	1	417344714T
PCB1	R6034	CARBON R	R16J-470	1	417344714T
PCB1	R6035	CARBON R	R16J-470	1	417344714T
PCB1	R6036	CARBON R	R16J-470	1	417344714T
PCB1	R6040	TRIM R	N06HR2KBC	1	5210390T
PCB1	R6041	TRIM R	N06HR2KBC	1	5210390T
PCB1	R6042	TRIM R	N06HR2KBC	1	5210390T
PCB1	R6043	TRIM R	N06HR2KBC	1	5210390T
PCB1	R6044	TRIM R	N06HR2KBC	1	5210390T
PCB1	R6045	TRIM R	N06HR2KBC	1	5210390T

PCB1	R6046	TRIM R	N06HR2KBC	1	5210390T
PCB1	R6050	CARBON R	R16J-3.3K	1	417343324T
PCB1	R6051	CARBON R	R16J-3.3K	1	417343324T
PCB1	R6052	CARBON R	R16J-3.3K	1	417343324T
PCB1	R6053	CARBON R	R16J-3.3K	1	417343324T
PCB1	R6054	CARBON R	R16J-3.3K	1	417343324T
PCB1	R6055	CARBON R	R16J-3.3K	1	417343324T
PCB1	R6056	CARBON R	R16J-3.3K	1	417343324T
PCB1	R6070	NF CARBON R	R25J-82	1	415478204T
PCB1	R6071	NF CARBON R	R25J-82	1	415478204T
PCB1	R6072	NF CARBON R	R25J-82	1	415478204T
PCB1	R6073	NF CARBON R	R25J-100	1	415471014T
PCB1	R6074	NF CARBON R	R25J-100	1	415471014T
PCB1	R6075	NF CARBON R	R25J-100	1	415471014T
PCB1	R6076	NF CARBON R	R25J-100	1	415471014T
PCB1	R6080	NF CARBON R	R25J-0.22	1	415472294T
PCB1	R6081	NF CARBON R	R25J-0.22	1	415472294T
PCB1	R6082	NF CARBON R	R25J-0.22	1	415472294T
PCB1	R6083	NF CARBON R	R25J-0.22	1	415472294T
PCB1	R6084	NF CARBON R	R25J-0.22	1	415472294T
PCB1	R6085	NF CARBON R	R25J-0.22	1	415472294T
PCB1	R6086	NF CARBON R	R25J-0.22	1	415472294T
PCB1	R6090	NF CARBON R	R25J-0.22	1	415472294T
PCB1	R6091	NF CARBON R	R25J-0.22	1	415472294T
PCB1	R6092	NF CARBON R	R25J-0.22	1	415472294T
PCB1	R6093	NF CARBON R	R25J-0.22	1	415472294T
PCB1	R6094	NF CARBON R	R25J-0.22	1	415472294T
PCB1	R6095	NF CARBON R	R25J-0.22	1	415472294T
PCB1	R6096	NF CARBON R	R25J-0.22	1	415472294T
PCB1	R6100	METAL PR	MPR2W+2W 0R22	1	4000234
PCB1	R6101	METAL PR	MPR2W+2W 0R22	1	4000234
PCB1	R6102	METAL PR	MPR2W+2W 0R22	1	4000234
PCB1	R6103	METAL PR	MPR2W+2W 0R22	1	4000234

PCB1	R6104	METAL PR	MPR2W+2W 0R22	1	4000234
PCB1	R6105	METAL PR	MPR2W+2W 0R22	1	4000234
PCB1	R6106	METAL PR	MPR2W+2W 0R22	1	4000234
PCB1	R6130	METAL R	RNU1WCJ-8.2	1	453630824T
PCB1	R6131	METAL R	RNU1WCJ-8.2	1	453630824T
PCB1	R6132	METAL R	RNU1WCJ-8.2	1	453630824T
PCB1	R6133	METAL R	RNU1WCJ-8.2	1	453630824T
PCB1	R6134	METAL R	RNU1WCJ-8.2	1	453630824T
PCB1	R6135	METAL R	RNU1WCJ-8.2	1	453630824T
PCB1	R6136	METAL R	RNU1WCJ-8.2	1	453630824T
PCB1	R6140	C-CARBON R	RN72K1J-223JE	1	435032234R1
PCB1	R6141	C-CARBON R	RN72K1J-223JE	1	435032234R1
PCB1	R6142	C-CARBON R	RN72K1J-223JE	1	435032234R1
PCB1	R6143	C-CARBON R	RN72K1J-223JE	1	435032234R1
PCB1	R6144	C-CARBON R	RN72K1J-223JE	1	435032234R1
PCB1	R6145	C-CARBON R	RN72K1J-223JE	1	435032234R1
PCB1	R6146	C-CARBON R	RN72K1J-223JE	1	435032234R1
PCB1	R6150	C-CARBON R	RN72K1J-123JE	1	435031234R1
PCB1	R6151	C-CARBON R	RN72K1J-123JE	1	435031234R1
PCB1	R6152	C-CARBON R	RN72K1J-123JE	1	435031234R1
PCB1	R6153	C-CARBON R	RN72K1J-123JE	1	435031234R1
PCB1	R6154	C-CARBON R	RN72K1J-123JE	1	435031234R1
PCB1	R6155	C-CARBON R	RN72K1J-123JE	1	435031234R1
PCB1	R6156	C-CARBON R	RN72K1J-123JE	1	435031234R1
PCB1	R6160	CARBON R	R16J-33K	1	417343334T
PCB1	R6161	CARBON R	R16J-33K	1	417343334T
PCB1	R6162	CARBON R	R16J-33K	1	417343334T
PCB1	R6163	CARBON R	R16J-33K	1	417343334T
PCB1	R6164	CARBON R	R16J-33K	1	417343334T
PCB1	R6165	CARBON R	R16J-33K	1	417343334T
PCB1	R6166	CARBON R	R16J-33K	1	417343334T
PCB1	R6170	CARBON R	R16J-47K	1	417344734T
PCB1	R6171	CARBON R	R16J-47K	1	417344734T

PCB1	R6172	CARBON R	R16J-47K	1	417344734T	
PCB1	R6173	CARBON R	R16J-47K	1	417344734T	
PCB1	R6174	CARBON R	R16J-47K	1	417344734T	
PCB1	R6175	CARBON R	R16J-47K	1	417344734T	
PCB1	R6176	CARBON R	R16J-47K	1	417344734T	
PCB1	R6180	CARBON R	R16J-47K	1	417344734T	
PCB1	R6181	CARBON R	R16J-47K	1	417344734T	
PCB1	R6182	CARBON R	R16J-47K	1	417344734T	
PCB1	R6183	CARBON R	R16J-47K	1	417344734T	
PCB1	R6184	CARBON R	R16J-47K	1	417344734T	
PCB1	R6185	CARBON R	R16J-47K	1	417344734T	
PCB1	R6186	CARBON R	R16J-47K	1	417344734T	
PCB1	R6190	C-CARBON R	RN72K1J-224JE	1	435032244R1	
PCB1	R6191	C-CARBON R	RN72K1J-224JE	1	435032244R1	
PCB1	R6192	C-CARBON R	RN72K1J-224JE	1	435032244R1	
PCB1	R6193	C-CARBON R	RN72K1J-224JE	1	435032244R1	
PCB1	R6194	C-CARBON R	RN72K1J-224JE	1	435032244R1	
PCB1	R6195	C-CARBON R	RN72K1J-224JE	1	435032244R1	
PCB1	R6196	C-CARBON R	RN72K1J-224JE	1	435032244R1	
PCB1	R6197	METAL R	RNU1WCJ-8.2	1	453630824T	
PCB1	R6701	C-CARBON R	RN72K1J-223JE	1	435032234R1	
PCB1	R6702	C-CARBON R	RN72K1J-103JE	1	435031034R1	
PCB1	R6704	C-CARBON R	RN72K1J-473JE	1	435034734R1	
PCB1	R6706	C-CARBON R	RN72K1J-224JE	1	435032244R1	
PCB1	R6708	C-CARBON R	RN72K1J-333JE	1	435033334R1	
PCB1	R6709	C-CARBON R	RN72K1J-562JE	1	435035624R1	
PCB1	R6710	C-CARBON R	RN72K1J-562JE	1	435035624R1	
PCB1	R6902	C-CARBON R	RN72K1J-102JE	1	435031024R1	
PCB1	R6903	C-CARBON R	RN72K1J-473JE	1	435034734R1	
PCB1	RL6901	RELAY	NRL-1P10A-DC12-140	1	25065584	!
PCB1	RL6901 or	RELAY	NRL-1P10A-DC12-143	(1)	25065588	!
PCB1	RL6902	RELAY	NRL-1P10A-DC12-140	1	25065584	!
PCB1	RL6902 or	RELAY	NRL-1P10A-DC12-143	(1)	25065588	!

PCB1	P302	PLUG	NPLG-15P0970	1	25056020	
PCB1	P303	PLUG	NPLG-15P0970	1	25056020	
PCB1	P304	PLUG	NPLG-3P0958	1	25056008	
PCB1	P5505	TRM(SCREW)	NEJITANSI M3	1	25065425	
PCB1	P6080	PLUG	NPLG-2P130	1	25055146	
PCB1	P6081	PLUG	NPLG-2P130	1	25055146	
PCB1	P6082	PLUG	NPLG-2P130	1	25055146	
PCB1	P6083	PLUG	NPLG-2P130	1	25055146	
PCB1	P6084	PLUG	NPLG-2P130	1	25055146	
PCB1	P6085	PLUG	NPLG-2P130	1	25055146	
PCB1	P6086	PLUG	NPLG-2P130	1	25055146	
PCB1	P6101	CLAMP	WS-2NS	1	27300833	
PCB1	P6602	TRM	NTM-4PDML422	1	25060494	
PCB1	P6900	CRIMP AS	CRIMP AS	1	20799162UL	
PCB1	P6901	CRIMP AS	CRIMP AS	1	2069925226UL	
PCB1	P6902	CRIMP AS	CRIMP AS	1	2069925189UL	
PCB1	P6903	CRIMP AS	CRIMP AS	1	20799163UL	
PCB1	P6904	CRIMP AS	CRIMP AS	1	20799164UL	
PCB1	P6911	RETAINER	(BUS)	1	27142022	
PCB1	P6991	TRM(SCREW)	NEJITANSI M3	1	25065425	
PCB1	P7900	ST JACK	MSJ-035-22	1	25045887	
PCB1	P7900 or	JACK	YKB21-5130	(1)	25045387	
PCB1	P7902	PIN JACK	NPJ-6PDWWRRR561	1	25045779	
PCB1	P7902 or	PIN JACK	NPJ-6PDBL159	(1)	25045300	
PCB1	P7904	PIN JACK	NPJ-6PDWWRRR561	1	25045779	
PCB1	P7904 or	PIN JACK	NPJ-6PDBL159	(1)	25045300	
PCB1	P7905	PIN JACK	NPJ-4PDWLRE642	1	25045866	
PCB1	P7906	PIN JACK	NPJ-4PDGNPT643	1	25045867	
PCB1	P7907	PIN JACK	NPJ-2PDWR558	1	25045776	
PCB1	P7907 or	PIN JACK	NPJ-2PDBL185	(1)	25045333	
PCB1	P7908	PIN JACK	NPJ-1PDP555	1	25045773	
PCB1	F6901C	FUSE HOL	NSCT-1P2031	1	25052133T	!
PCB1	F6901D	FUSE HOL	NSCT-1P2031	1	25052133T	!

PCB1	F6902C	FUSE HOL	NSCT-1P2031	1	25052133T	!
PCB1	F6902D	FUSE HOL	NSCT-1P2031	1	25052133T	!
PCB1	J5500	PVC	1007#24 .2/7HAND B	1	---	NSP
PCB1	J5500 or	PVC	1007#24 .2/7HAND R	(1)	---	NSP
PCB1	JL6402	JUMPER LEAD	JL3 300 B	1	---	NSP
PCB1	JL6402A	WIRE HOL	NSCT-3P874	1	25051087	
PCB1	JL6600	JUMPER LEAD	JL7 250 H	1	---	NSP
PCB1	JL6600A	WIRE HOL	NSCT-7P898	1	25051111	
PCB1	JL6603	JUMPER LEAD	JL9 200 H	1	---	NSP
PCB1	JL6603A	WIRE HOL	NSCT-9P900	1	25051113	
PCB1	JL6604	JUMPER LEAD	JL5 200 H	1	---	NSP
PCB1	JL6604A	WIRE HOL	NSCT-5P896	1	25051109	
PCB1	JL6952	JUMPER LEAD	JL5 150 H	1	---	NSP
PCB1	JL6952A	WIRE HOL	NSCT-5P896	1	25051109	
PCB1	JL6952B	WIRE HOL	NSCT-5P896	1	25051109	
PCB2	U10	DISPLAY PC BOARD (NADIS-9430-1A / 1B / 1C)				
PCB2	U11	SWITCH PC BOARD (NADIS-9431-1A / 1B / 1C)				
PCB2	U12	POWER SUPPLY PC BOARD (NAPS-9432-1A / 1B / 1C)				
PCB2	U13	TRANS. SEC. TERMINAL PC BOARD (NAPS-9433-1A / 1B / 1C)				
PCB2	U14	HEADPHONE JACK PC BOARD (NAETC-9435-1A / 1B / 1C)				
PCB2						
PCB2	CIRCUIT NO.	PART NAME	DESCRIPTION	Q'TY	PART NO. (SN)	REMARKS
PCB2	U7041	REMO SENS	NJL34H380A	1	241365	
PCB2	Q930	IC	SI-3010KF	1	22242203	<WT, WO, WF>
PCB2	Q7001	FL TUBE	16-BT-138GNK	1	212268	
PCB2	Q7001A	HOLDER	(FL)	1	27191222C	
PCB2	Q7003	IC	M66005-0001AHP	1	22242208R3	
PCB2	Q7004	TR	2SC2458-GR	1	2212115T	
PCB2	Q7004 or	TR	2SC1740S-R	(1)	2213284T	
PCB2	Q7004 or	TR	2SC1740S-S	(1)	2213285T	
PCB2	Q7005	TR	KRA102M	1	2215770T	
PCB2	Q7005 or	TR	DTA114ES	(1)	2213510T	

PCB2	Q7007	TR	KRC102M	1	2215960T	
PCB2	Q7007 or	TR	DTC114ES	(1)	2213290T	
PCB2	Q7033	TR	KTC3198-GR	1	2215985T	
PCB2	Q7033 or	TR	2SC1815-GR	(1)	2211255T	
PCB2	Q7151	TR	2SA1015-GR	1	2211455T	<PP, PB, GK, GQ, GR>
PCB2	Q7151	TR	2SA1015-GR	1	2211455T	<WT, WO, WF>
PCB2	Q7152	TR	2SA1015-GR	1	2211455T	
PCB2	Q7401	IC	NJM4580D-D	1	22241112	
PCB2	Q7403	TR	KRC111M	1	2216320T	
PCB2	Q7403 or	TR	DTC114TS	(1)	221299T	
PCB2	Q7404	TR	KRC111M	1	2216320T	
PCB2	Q7404 or	TR	DTC114TS	(1)	221299T	
PCB2	D911	DIODE	ISS133	1	223163T	
PCB2	D912	DIODE	ISS133	1	223163T	
PCB2	D921	DIODE	ISS133	1	223163T	
PCB2	D922	DIODE	ISS133	1	223163T	
PCB2	D923	DIODE	ISS133	1	223163T	
PCB2	D924	DIODE	ISS133	1	223163T	
PCB2	D925	DIODE	ISS133	1	223163T	
PCB2	D930	DIODE	ISS133	1	223163T	
PCB2	D931	DIODE	ISS133	1	223163T	
PCB2	D933	DIODE	ISS133	1	223163T	
PCB2	D934	ZENER D	MTZJ5.6B	1	224470562T	
PCB2	D935	DIODE	ISS133	1	223163T	
PCB2	D7002	ZENER D	MTZJ8.2B	1	224470822T	
PCB2	D7033	ZENER D	MTZJ3.9B	1	224470392T	
PCB2	D7151	LED	SLI-343URC-TE7	1	225449T	
PCB2	D7153	LED	SDPB3DD0C0000-ABCDEF	1	225473	<PP, PB, GK, GQ, GR>
PCB2	D7153	LED	SDPB3DD0C0000-ABCDEF	1	225473	<WT, WO, WF>
PCB2	D7156	LED	SLR-342MGTE7P	1	225455T	
PCB2	D7401	ZENER D	MTZJ5.1B	1	224470512T	
PCB2	D7411	ZENER D	MTZJ6.8B	1	224470682T	
PCB2	D7412	ZENER D	MTZJ6.8B	1	224470682T	

PCB2	T902	P TRANS	NPT-1520JQ	1	2301812A	!, <DD, DC>
PCB2	T902	P TRANS	NPT-1520GQ	1	2301813A	!, <PP, PB>
PCB2	T902	P TRANS	NPT-1520GQ	1	2301813A	!, <GK, GQ, GR>
PCB2	T902	P TRANS	NPT-1520JQ	1	2301812A	!, <WT, WO, WF>
PCB2	C901	IS C	LE103-C3.5	1	3800042S	!
PCB2	C901 or	IS C	ECQU2A103MLC	(1)	3800039S	!
PCB2	C902	TF C	ECQ-V50V-104J	1	374721044T	
PCB2	C911	TF C	ECQ-B50V-102J	1	374721024T	
PCB2	C921	CERA C	CK45F50V-223Z	1	335622230T	
PCB2	C922	VR C	CE04W25V-2200M(VR)	1	394652227S	<DD, DC>
PCB2	C922	VR C	CE04W16V-2200M(VR)	1	394642227S	<PP, PB, GK, GQ, GR>
PCB2	C922	VR C	CE04W35V-2200M(VR)	1	394662227S	<WT, WO, WF>
PCB2	C930	UTSP C	CE04W50V-100M(UTSP)	1	397581017T	
PCB2	C931	UTSP C	CE04W50V-10M(UTSP)	1	397581007T	<WT, WO, WF>
PCB2	C932	VR C	CE04W16V-100M(VR)	1	394641017T	<WT, WO, WF>
PCB2	C933	UTSP C	CE04W50V-4.7M(UTSP)	1	397580477T	
PCB2	C7001	CERA C	CK45F50V-223Z	1	335622230T	
PCB2	C7002	MMT C	MMT50V-104J	1	375521044T	
PCB2	C7003	CERA C	CC45SL50V-101J	1	345021014T	
PCB2	C7004	CERA C	CC45SL50V-101J	1	345021014T	
PCB2	C7005	CERA C	CC45SL50V-101J	1	345021014T	
PCB2	C7007	CERA C	CC45SL50V-101J	1	345021014T	
PCB2	C7008	UTSP C	CE04W10V-100M(UTSP)	1	397531017T	
PCB2	C7009	MMT C	MMT50V-104J	1	375521044T	
PCB2	C7010	CERA C	CK45F50V-223Z	1	335622230T	
PCB2	C7011	CERA C	CK45F50V-223Z	1	335622230T	
PCB2	C7012	CERA C	CK45F50V-223Z	1	335622230T	
PCB2	C7013	UTSP C	CE04W50V 47M(UTSP)	1	397584707T	
PCB2	C7014	CERA C	CK45F50V-223Z	1	335622230T	
PCB2	C7015	ELECT C	CE04W16V-47M(S)	1	353744709T	
PCB2	C7016	CERA C	CK45F50V-223Z	1	335622230T	
PCB2	C7017	CERA C	CK45F50V-223Z	1	335622230T	
PCB2	C7021	CERA C	CK45F50V-103Z	1	335621030T	

PCB2	C7022	CERA C	CK45F50V-103Z	1	335621030T	
PCB2	C7031	CERA C	CK45F50V-223Z	1	335622230T	
PCB2	C7032	CERA C	CK45F50V-223Z	1	335622230T	
PCB2	C7033	UTSP C	CE04W50V-10M(UTSP)	1	397581007T	
PCB2	C7041	ELECT C	CE04W6.3V-100M(S)	1	353721019T	
PCB2	C7043	CERA C	CK45B50V-102K	1	335321025T	
PCB2	C7201	TF C	ECQ-B50V-102J	1	374721024T	
PCB2	C7202	TF C	ECQ-B50V-223J	1	374722234T	
PCB2	C7203	TF C	ECQ-B50V-102J	1	374721024T	
PCB2	C7204	TF C	ECQ-B50V-102J	1	374721024T	
PCB2	C7301	TF C	ECQ-B50V-471J	1	374724714T	
PCB2	C7302	TF C	ECQ-B50V-471J	1	374724714T	
PCB2	C7303	MMT C	MMT50V-104J	1	375521044T	
PCB2	C7304	MMT C	MMT50V-104J	1	375521044T	
PCB2	C7305	MMT C	MMT50V-104J	1	375521044T	
PCB2	C7401	UTSP C	CE04W50V-10M(UTSP)	1	397581007T	
PCB2	C7402	CERA C	CC45SL50V-101J	1	345021014T	
PCB2	C7403	UTSP C	CE04W25V-47M(UTSP)	1	397554707T	
PCB2	C7404	CERA C	CC45SL50V-330J	1	345023304T	
PCB2	C7405	ELECT C	CE04W16V-10M(S)	1	353741009T	
PCB2	C7411	UTSP C	CE04W25V-47M(UTSP)	1	397554707T	
PCB2	C7412	UTSP C	CE04W25V-47M(UTSP)	1	397554707T	
PCB2	C7421	CERA C	CK45B50V-102K	1	335321025T	
PCB2	C9101	MMT C	MMT50V-104J	1	375521044T	
PCB2	L7031	CHOKE COIL	NCH-1561 022K	1	233526K022T	
PCB2	L7201	CHOKE COIL	NCH-1561 022K	1	233526K022T	
PCB2	L7202	CHOKE COIL	NCH-1561 022K	1	233526K022T	
PCB2	L7203	CHOKE COIL	NCH-1561 022K	1	233526K022T	
PCB2	L7401	CHOKE COIL	NCH-1561 022K	1	233526K022T	
PCB2	L7402	CHOKE COIL	NCH-1561 022K	1	233526K022T	
PCB2	R921	METAL O R	RS1/2WBJ-47	1	443524704T	<DD, DC>
PCB2	R921	METAL O R	RS1/2WBJ-47	1	443524704T	<PP, PB, GK, GQ, GR>
PCB2	R930	CARBON R	R16J-100K	1	417341044T	<WT, WO, WF>

PCB2	R931	CARBON R	R16J-100K	1	417341044T	<WT, WO, WF>
PCB2	R932	CARBON R	R16J-82K	1	417348234T	<WT, WO, WF>
PCB2	R933	CARBON R	R16J-10K	1	417341034T	<WT, WO, WF>
PCB2	R934	CARBON R	R16J-100K	1	417341044T	
PCB2	R7001	CARBON R	R16J-100K	1	417341044T	
PCB2	R7002	CARBON R	R16J-3.3K	1	417343324T	
PCB2	R7003	CARBON R	R16J-3.3K	1	417343324T	
PCB2	R7004	CARBON R	R16J-220	1	417342214T	
PCB2	R7005	CARBON R	R16J-220	1	417342214T	
PCB2	R7006	CARBON R	R16J-18K	1	417341834T	
PCB2	R7007	CARBON R	R16J-220	1	417342214T	
PCB2	R7008	CARBON R	R16J-220	1	417342214T	
PCB2	R7021	CARBON R	R16J-10K	1	417341034T	
PCB2	R7022	CARBON R	R16J-10K	1	417341034T	
PCB2	R7023	CARBON R	R16J-10K	1	417341034T	
PCB2	R7024	CARBON R	R16J-10K	1	417341034T	
PCB2	R7033	CARBON R	R16J-82	1	417348204T	
PCB2	R7041	CARBON R	R16J-100	1	417341014T	
PCB2	R7042	CARBON R	R16J-1K	1	417341024T	
PCB2	R7101	CARBON R	R16J-330	1	417343314T	
PCB2	R7102	CARBON R	R16J-470	1	417344714T	
PCB2	R7103	CARBON R	R16J-560	1	417345614T	
PCB2	R7104	CARBON R	R16J-820	1	417348214T	
PCB2	R7105	CARBON R	R16J-1.2K	1	417341224T	
PCB2	R7107	CARBON R	R16J-330	1	417343314T	
PCB2	R7108	CARBON R	R16J-470	1	417344714T	
PCB2	R7109	CARBON R	R16J-560	1	417345614T	
PCB2	R7110	CARBON R	R16J-820	1	417348214T	
PCB2	R7111	CARBON R	R16J-1.2K	1	417341224T	
PCB2	R7112	CARBON R	R16J-2.2K	1	417342224T	
PCB2	R7113	CARBON R	R16J-3.9K	1	417343924T	
PCB2	R7114	CARBON R	R16J-12K	1	417341234T	
PCB2	R7115	CARBON R	R16J-330	1	417343314T	

PCB2	R7116	CARBON R	R16J-470	1	417344714T	
PCB2	R7117	CARBON R	R16J-560	1	417345614T	
PCB2	R7118	CARBON R	R16J-820	1	417348214T	
PCB2	R7119	CARBON R	R16J-1.2K	1	417341224T	
PCB2	R7120	CARBON R	R16J-2.2K	1	417342224T	
PCB2	R7121	CARBON R	R16J-3.9K	1	417343924T	
PCB2	R7122	CARBON R	R16J-12K	1	417341234T	
PCB2	R7123	CARBON R	R16J-330	1	417343314T	
PCB2	R7124	CARBON R	R16J-470	1	417344714T	
PCB2	R7125	CARBON R	R16J-560	1	417345614T	
PCB2	R7126	CARBON R	R16J-820	1	417348214T	
PCB2	R7127	CARBON R	R16J-1.2K	1	417341224T	
PCB2	R7128	CARBON R	R16J-2.2K	1	417342224T	
PCB2	R7129	CARBON R	R16J-3.9K	1	417343924T	
PCB2	R7130	CARBON R	R16J-12K	1	417341234T	
PCB2	R7151	CARBON R	R16J-2.2K	1	417342224T	
PCB2	R7152	CARBON R	R16J-82	1	417348204T	<PP, PB, GK, GQ, GR>
PCB2	R7152	CARBON R	R16J-82	1	417348204T	<WT, WO, WF>
PCB2	R7154	CARBON R	R16J-120	1	417341214T	
PCB2	R7155	CARBON R	R16J-10K	1	417341034T	<PP, PB, GK, GQ, GR>
PCB2	R7155	CARBON R	R16J-10K	1	417341034T	<WT, WO, WF>
PCB2	R7156	CARBON R	R16J-1K	1	417341024T	<PP, PB, GK, GQ, GR>
PCB2	R7156	CARBON R	R16J-1K	1	417341024T	<WT, WO, WF>
PCB2	R7157	CARBON R	R16J-10K	1	417341034T	
PCB2	R7158	CARBON R	R16J-1K	1	417341024T	
PCB2	R7301	CARBON R	R16J-330	1	417343314T	
PCB2	R7302	CARBON R	R16J-330	1	417343314T	
PCB2	R7401	CARBON R	R16J-100	1	417341014T	
PCB2	R7402	CARBON R	R16J-220K	1	417342244T	
PCB2	R7403	CARBON R	R16J-4.7K	1	417344724T	
PCB2	R7404	CARBON R	R16J-220	1	417342214T	
PCB2	R7405	CARBON R	R16J-47K	1	417344734T	
PCB2	R7406	CARBON R	R16J-330	1	417343314T	

PCB2	R7407	CARBON R	R16J-1K	1	417341024T	
PCB2	R7408	CARBON R	R16J-33K	1	417343334T	
PCB2	R7409	CARBON R	R16J-220	1	417342214T	
PCB2	R7410	CARBON R	R16J-220	1	417342214T	
PCB2	R7411	CARBON R	R16J-470	1	417344714T	
PCB2	R7412	CARBON R	R16J-470	1	417344714T	
PCB2	R7413	CARBON R	R16J-220K	1	417342244T	
PCB2	R7414	CARBON R	R16J-100K	1	417341044T	
PCB2	R9101	METAL R	RNU1/2WCJ-0.1	1	453531094T	!, <DD, DC>
PCB2	R9101	METAL R	RNU1/2WCJ-0.22	1	453532294T	!, <PP, PB, GK, GQ, GR>
PCB2	R9101	METAL R	RNU1/2WCJ-0.22	1	453532294T	!, <WT, WO, WF>
PCB2	R9102	METAL R	RNU1/2WCJ-8.2	1	453530824T	
PCB2	RL901	RELAY	NRL-1P5A-DC9-179	1	25065669	!
PCB2	S7001	R ENCODE	EC12E2425WITH WASHER	1	25065655W	
PCB2	S7101	PUSH SW	NPS-111-S681	1	25035718T	
PCB2	S7104	PUSH SW	NPS-111-S681	1	25035718T	
PCB2	S7106	PUSH SW	NPS-111-S681	1	25035718T	
PCB2	S7107	PUSH SW	NPS-111-S681	1	25035718T	
PCB2	S7109	PUSH SW	NPS-111-S681	1	25035718T	
PCB2	S7115	PUSH SW	NPS-111-S681	1	25035718T	
PCB2	S7117	PUSH SW	NPS-111-S681	1	25035718T	
PCB2	S7119	PUSH SW	NPS-111-S681	1	25035718T	
PCB2	S7123	PUSH SW	NPS-111-S681	1	25035718T	
PCB2	S7125	PUSH SW	NPS-111-S681	1	25035718T	
PCB2	S7127	PUSH SW	NPS-111-S681	1	25035718T	
PCB2	S7129	PUSH SW	NPS-111-S681	1	25035718T	
PCB2	S7132	PUSH SW	NPS-111-S681	1	25035718T	
PCB2	S7134	PUSH SW	NPS-111-S681	1	25035718T	
PCB2	S7136	PUSH SW	NPS-111-S681	1	25035718T	
PCB2	S7138	PUSH SW	NPS-111-S681	1	25035718T	
PCB2	S7140	PUSH SW	NPS-111-S681	1	25035718T	
PCB2	S7142	PUSH SW	NPS-111-S681	1	25035718T	
PCB2	S7144	PUSH SW	NPS-111-S681	1	25035718T	

PCB2	S7146	PUSH SW	NPS-111-S681	1	25035718T	
PCB2	S7148	PUSH SW	NPS-111-S681	1	25035718T	
PCB2	S7149	PUSH SW	NPS-111-S681	1	25035718T	
PCB2	S7151	PUSH SW	NPS-111-S681	1	25035718T	
PCB2	S7153	PUSH SW	NPS-111-S681	1	25035718T	
PCB2	S7155	PUSH SW	NPS-111-S681	1	25035718T	
PCB2	S7157	PUSH SW	NPS-111-S681	1	25035718T	
PCB2	S7159	PUSH SW	NPS-111-S681	1	25035718T	
PCB2	S7161	PUSH SW	NPS-111-S681	1	25035718T	
PCB2	S7164	PUSH SW	NPS-111-S681	1	25035718T	
PCB2	S7166	PUSH SW	NPS-111-S681	1	25035718T	
PCB2	S902	SLIDE SW	NSS-22157P	1	25065437	!, <WT, WO, WF>
PCB2	P701B	SOCKET	NSCT-33P2163	1	25052266	
PCB2	P7201	ST JACK	MSJ-064-05A SR	1	25045783	
PCB2	P7201 or	ST JACK	YKB21-5005	(1)	25045724	
PCB2	P7301	PIN JACK	NPJ-7PDB477	1	25045680	
PCB2	P7401	ST JACK	MSJ-035-05C B AG SR type	1	25045879	
PCB2	P901A	PLUG	NPLG-2P631	1	25055675	!
PCB2	P901A or	PLUG	1-1123724-2	(1)	25056402	!
PCB2	P911	PLUG	NPLG-2P631	1	25055675	<DD, DC>
PCB2	P911 or	PLUG	1-1123724-2	(1)	25056402	<DD, DC>
PCB2	P911	PLUG	NPLG-2P631	1	25055675	<PP, PB, GK, GQ, GR>
PCB2	P911 or	PLUG	1-1123724-2	(1)	25056402	<PP, PB, GK, GQ, GR>
PCB2	P912	PLUG	B5P9-VH	1	25056568	<WT, WO, WF>
PCB2	P912 or	PLUG	1-1123724-5	(1)	25056579	<WT, WO, WF>
PCB2	E7201	TRM(SCREW)	NEJITANSI M3	1	25065425	
PCB2	E7301	RETAINER	(S)	1	27142074	
PCB2	E901	TRM(SCREW)	NEJITANSI M3	1	25065425	
PCB2	E902	TRM(SCREW)	NEJITANSI M3	1	25065425	<DD, DC>
PCB2	E902	TRM(SCREW)	NEJITANSI M3	1	25065425	<PP, PB, GK, GQ, GR>
PCB2	F901C	FUSE HOL	NSCT-1P2031	1	25052133T	!
PCB2	F901D	FUSE HOL	NSCT-1P2031	1	25052133T	!
PCB2	F902A	FUSE HOL	NSCT-1P2031	1	25052133T	!, <WT, WO, WF>

PCB2	F902B	FUSE HOL	NSCT-1P2031	1	25052133T	!, <WT, WO, WF>
PCB2	JL901	JUMPER LEAD	JL5 300 B	1	---	NSP
PCB2	JL901A	WIRE HOL	NSCT-5P876	1	25051089	
PCB2	JL6605	JUMPER LEAD	JL5 350 H	1	---	NSP
PCB2	JL6605A	WIRE HOL	NSCT-5P896	1	25051109	
PCB2	JL7101	JUMPER LEAD	JL9 200 H	1	---	NSP
PCB2	JL7101A	WIRE HOL	NSCT-9P900	1	25051113	
PCB2	JL7101B	WIRE HOL	NSCT-9P900	1	25051113	
PCB2	JL9101	JUMPER LEAD	JL7 350 H	1	---	NSP
PCB2	JL9101A	WIRE HOL	NSCT-7P898	1	25051111	
PCB3	U30	MICROPROCESSOR PC BOARD (NADG-9457-1A / 1B / 1C / 1D)				
PCB3						
PCB3	CIRCUIT NO.	PART NAME	DESCRIPTION	Q'TY	PART NO. (SN)	REMARKS
PCB3	U131	PHT CP	JSR1165-001recieving	1	24120143	
PCB3	U131 or	PHT CP	GP1FAV51RK0F	(1)	24120129	
PCB3	U132	PHT CP	JSR1165-001recieving	1	24120143	
PCB3	U132 or	PHT CP	GP1FAV51RK0F	(1)	24120129	
PCB3	Q101	TR	2SC2235-Y(TPE6_F)	1	2211654T	
PCB3	Q131	IC	74HCU04F	1	222740046R2	
PCB3	Q152	IC	TC74VHCT541AFT	1	22274541GR2TO	
PCB3	Q153	IC	IS25C64A-2GLI	1	22242385R2	
PCB3	Q171	IC	TC7WU04FU(TE12L_F)	1	22240935R2	
PCB3	Q301	IC	CS42518-CQZR-D	1	22242229R2	
PCB3	Q341	IC	NJM4580M-D	1	22241448R2	
PCB3	Q401	IC	NJM4580M-D	1	22241448R2	
PCB3	Q402	IC	NJM4580M-D	1	22241448R2	
PCB3	Q403	IC	NJM4580M-D	1	22241448R2	
PCB3	Q404	IC	NJM4580M-D	1	22241448R2	
PCB3	Q601	TR	KRC104S	1	2216210R2	
PCB3	Q601 or	TR	RN1404	(1)	2214490R2	
PCB3	Q701	IC (MICROPROCESSOR)	M30626FHPPF	1	222W0032R3	
PCB3	Q702	IC	S-812C33AUA-C2N	1	22242222R2	

PCB3	Q703	IC	S-812C56AUA-C3K	1	22242207R2
PCB3	Q746	IC	TA48033AF(TE16L_NQ)	1	22278033DR2TO
PCB3	Q746 or	IC	BA33BC0FP	(1)	22278033DR2RH
PCB3	Q746 or	IC	NJM2391DL1-33	(1)	22278033DR2JR
PCB3	Q751	TR	KRC104S	1	2216210R2
PCB3	Q751 or	TR	RN1404	(1)	2214490R2
PCB3	Q752	TR	KRA102S	1	2216220R2
PCB3	Q752 or	TR	RN2402	(1)	2214530R2
PCB3	Q753	TR	KRA107S	1	2216350R2
PCB3	Q753 or	TR	RN2407(TE85L_F)	(1)	2216360R2
PCB3	Q754	TR	KRC102S	1	2216190R2
PCB3	Q754 or	TR	RN1402	(1)	2214470R2
PCB3	Q755	TR	KRA107S	1	2216350R2
PCB3	Q755 or	TR	RN2407(TE85L_F)	(1)	2216360R2
PCB3	Q756	TR	KRC102S	1	2216190R2
PCB3	Q756 or	TR	RN1402	(1)	2214470R2
PCB3	Q761	TR	KRC104S	1	2216210R2
PCB3	Q761 or	TR	RN1404	(1)	2214490R2
PCB3	Q762	TR	KRA102S	1	2216220R2
PCB3	Q762 or	TR	RN2402	(1)	2214530R2
PCB3	Q771	TR	KRC104S	1	2216210R2
PCB3	Q771 or	TR	RN1404	(1)	2214490R2
PCB3	Q772	TR	KRA102S	1	2216220R2
PCB3	Q772 or	TR	RN2402	(1)	2214530R2
PCB3	D103	C-DIODE	KDS4148U	1	223283R2
PCB3	D103 or	C-DIODE	1SS352	(1)	223234R2
PCB3	D103 or	C-DIODE	MA2J111	(1)	223279R2
PCB3	D104	C-DIODE	KDS4148U	1	223283R2
PCB3	D104 or	C-DIODE	1SS352	(1)	223234R2
PCB3	D104 or	C-DIODE	MA2J111	(1)	223279R2
PCB3	D105	ZENER D	UDZS10B	1	224551000R2
PCB3	D601	C-DIODE	KDS4148U	1	223283R2
PCB3	D601 or	C-DIODE	1SS352	(1)	223234R2

PCB3	D601 or	C-DIODE	MA2J111	(1)	223279R2
PCB3	D701	C-DIODE	KDS4148U	1	223283R2
PCB3	D701 or	C-DIODE	1SS352	(1)	223234R2
PCB3	D701 or	C-DIODE	MA2J111	(1)	223279R2
PCB3	D702	C-DIODE	KDS4148U	1	223283R2
PCB3	D702 or	C-DIODE	1SS352	(1)	223234R2
PCB3	D702 or	C-DIODE	MA2J111	(1)	223279R2
PCB3	D705	C-DIODE	KDS4148U	1	223283R2
PCB3	D705 or	C-DIODE	1SS352	(1)	223234R2
PCB3	D705 or	C-DIODE	MA2J111	(1)	223279R2
PCB3	D706	C-DIODE	KDS4148U	1	223283R2
PCB3	D706 or	C-DIODE	1SS352	(1)	223234R2
PCB3	D706 or	C-DIODE	MA2J111	(1)	223279R2
PCB3	X171	CRYSTAL	HC-49US24.576MHz	1	3010423T
PCB3	X171 or	CRYSTAL	HC-49/U03-24.576M	(1)	3010314T
PCB3	X171A	IB CUSHION	W15*3t TAPE	1	28141585
PCB3	X701	CERA LOCK	CSTCR6M0055-R0	1	3010397R2
PCB3	C102	C-CERA C	CK725F1E-104Z1	1	332161040R1
PCB3	C103	VR C	CE04W16V-100M(VR)	1	394641017T
PCB3	C104	C-CERA C	CK725F1E-104Z1	1	332161040R1
PCB3	C106	C-CERA C	CK725F1E-104Z1	1	332161040R1
PCB3	C107	C-CERA C	CK725F1E-104Z1	1	332161040R1
PCB3	C109	C-CERA C	CK725F1E-104Z1	1	332161040R1
PCB3	C110	UTSP C	CE04W50V 47M(UTSP)	1	397584707T
PCB3	C131	C-CERA C	CC725CH1H-101J1	1	342101014R1
PCB3	C132	C-CERA C	CC725CH1H-101J1	1	342101014R1
PCB3	C133	C-CERA C	CK725B1C-104K1	1	332121045R1
PCB3	C134	C-CERA C	CK725B1C-104K1	1	332121045R1
PCB3	C135	C-CERA C	CC725CH1H-080D1	1	342100802R1
PCB3	C136	C-CERA C	CC725CH1H-080D1	1	342100802R1
PCB3	C139	VR C	CE04W6.3V-220M(VR)	1	394622217T
PCB3	C140	C-CERA C	CK725F1E-104Z1	1	332161040R1
PCB3	C141	C-CERA C	CK725F1E-104Z1	1	332161040R1

PCB3	C142	C-CERA C	CK725F1E-104Z1	1	332161040R1
PCB3	C145	VR C	CE04W6.3V-220M(VR)	1	394622217T
PCB3	C146	C-CERA C	CK725B1H-103K1	1	332101035R1
PCB3	C151	C-CERA C	CK725F1E-104Z1	1	332161040R1
PCB3	C152	C-CERA C	CK725F1E-104Z1	1	332161040R1
PCB3	C171	C-CERA C	CK725F1E-104Z1	1	332161040R1
PCB3	C172	C-CERA C	CC725CH1H-060D1	1	342100602R1
PCB3	C173	C-CERA C	CC725CH1H-060D1	1	342100602R1
PCB3	C210	C-CERA C	CK725F1E-104Z1	1	332161040R1
PCB3	C301	C-CERA C	CK725B1H-103K1	1	332101035R1
PCB3	C302	UTSP C	CE04W10V-470M(UTSP)	1	397534717T
PCB3	C303	UTSP C	CE04W10V-470M(UTSP)	1	397534717T
PCB3	C304	UTSP C	CE04W10V-470M(UTSP)	1	397534717T
PCB3	C305	C-CERA C	CK725F1E-104Z1	1	332161040R1
PCB3	C306	UTSJ C	CE04W25V-47M(UTSJ)	1	398054707T
PCB3	C307	C-CERA C	CK725F1E-104Z1	1	332161040R1
PCB3	C308	UTSP C	CE04W10V-100M(UTSP)	1	397531017T
PCB3	C309	C-CERA C	CK725F1E-104Z1	1	332161040R1
PCB3	C310	C-CERA C	CK725B1H-222K1	1	332102225R1
PCB3	C311	C-CERA C	CK725B1H-473K1	1	332104735R1
PCB3	C312	C-CERA C	CK725F1E-104Z1	1	332161040R1
PCB3	C313	C-CERA C	CK725F1E-104Z1	1	332161040R1
PCB3	C314	C-CERA C	CK725F1E-104Z1	1	332161040R1
PCB3	C315	C-CERA C	CK725F1E-104Z1	1	332161040R1
PCB3	C316	C-CERA C	CC725CH1H-221J1	1	342102214R1
PCB3	C317	C-CERA C	CK725F1E-104Z1	1	332161040R1
PCB3	C321	UTSP C	CE04W50V-10M(UTSP)	1	397581007T
PCB3	C322	UTSP C	CE04W50V-10M(UTSP)	1	397581007T
PCB3	C323	UTSP C	CE04W50V-10M(UTSP)	1	397581007T
PCB3	C324	UTSP C	CE04W50V-10M(UTSP)	1	397581007T
PCB3	C325	C-CERA C	CC732CH1H-222J	1	347342224R2
PCB3	C326	C-CERA C	CC732CH1H-222J	1	347342224R2
PCB3	C333	C-CERA C	CC725CH1H-330J1	1	342103304R1

PCB3	C334	C-CERA C	CC725CH1H-330J1	1	342103304R1
PCB3	C336	C-CERA C	CC725CH1H-330J1	1	342103304R1
PCB3	C337	C-CERA C	CC725CH1H-330J1	1	342103304R1
PCB3	C341	C-CERA C	CC725CH1H-101J1	1	342101014R1
PCB3	C342	C-CERA C	CC725CH1H-101J1	1	342101014R1
PCB3	C401	TF C	ECQ-B50V-472J	1	374724724T
PCB3	C402	TF C	ECQ-B50V-472J	1	374724724T
PCB3	C403	TF C	ECQ-B50V-472J	1	374724724T
PCB3	C404	TF C	ECQ-V50V-333J	1	374723334T
PCB3	C405	TF C	ECQ-B50V-472J	1	374724724T
PCB3	C406	TF C	ECQ-B50V-472J	1	374724724T
PCB3	C407	TF C	ECQ-B50V-472J	1	374724724T
PCB3	C408	TF C	ECQ-B50V-472J	1	374724724T
PCB3	C411	TF C	ECQ-B50V-681J	1	374726814T
PCB3	C412	TF C	ECQ-B50V-681J	1	374726814T
PCB3	C413	TF C	ECQ-B50V-681J	1	374726814T
PCB3	C414	TF C	ECQ-B50V-153J	1	374721534T
PCB3	C415	C-CERA C	CC725CH1H-681J1	1	342106814R1
PCB3	C416	C-CERA C	CC725CH1H-681J1	1	342106814R1
PCB3	C417	C-CERA C	CC725CH1H-681J1	1	342106814R1
PCB3	C418	C-CERA C	CC725CH1H-681J1	1	342106814R1
PCB3	C421	TF C	ECQ-B50V-681J	1	374726814T
PCB3	C422	TF C	ECQ-B50V-681J	1	374726814T
PCB3	C423	TF C	ECQ-B50V-681J	1	374726814T
PCB3	C424	TF C	ECQ-B50V-153J	1	374721534T
PCB3	C425	C-CERA C	CC725CH1H-681J1	1	342106814R1
PCB3	C426	C-CERA C	CC725CH1H-681J1	1	342106814R1
PCB3	C427	C-CERA C	CC725CH1H-681J1	1	342106814R1
PCB3	C428	C-CERA C	CC725CH1H-681J1	1	342106814R1
PCB3	C591	UTSP C	CE04W25V-220M(UTSP)	1	397552217T
PCB3	C592	UTSP C	CE04W25V-220M(UTSP)	1	397552217T
PCB3	C601	C-CERA C	CK725F1E-104Z1	1	332161040R1
PCB3	C602	C-CERA C	CK725F1E-104Z1	1	332161040R1

PCB3	C603	C-CERA C	CK725F1E-104Z1	1	332161040R1
PCB3	C604	UTSP C	CE04W50V-4.7M(UTSP)	1	397580477T
PCB3	C605	C-CERA C	CK725F1E-104Z1	1	332161040R1
PCB3	C608	C-CERA C	CK725F1E-104Z1	1	332161040R1
PCB3	C609	C-CERA C	CK725F1E-104Z1	1	332161040R1
PCB3	C610	C-CERA C	CK725B1H-102K1	1	332101025R1
PCB3	C611	C-CERA C	CK725F1E-104Z1	1	332161040R1
PCB3	C612	C-CERA C	CK725B1H-102K1	1	332101025R1
PCB3	C613	C-CERA C	CK732B1A-105K	1	337361055R2
PCB3	C614	C-CERA C	CK725F1E-104Z1	1	332161040R1
PCB3	C615	C-CERA C	CK725F1E-104Z1	1	332161040R1
PCB3	C616	C-CERA C	CK725B1H-102K1	1	332101025R1
PCB3	C617	C-CERA C	CK725B1H-102K1	1	332101025R1
PCB3	C618	C-CERA C	CK725B1H-102K1	1	332101025R1
PCB3	C619	C-CERA C	CK725B1H-102K1	1	332101025R1
PCB3	C620	C-CERA C	CK725B1H-102K1	1	332101025R1
PCB3	C621	C-CERA C	CK725B1H-102K1	1	332101025R1
PCB3	C624	C-CERA C	CK725F1E-104Z1	1	332161040R1
PCB3	C625	C-CERA C	CK725F1E-104Z1	1	332161040R1
PCB3	C634	C-CERA C	CC725CH1H-101J1	1	342101014R1
PCB3	C635	C-CERA C	CC725CH1H-101J1	1	342101014R1
PCB3	C701	C-CERA C	CK725F1E-104Z1	1	332161040R1
PCB3	C702	UTSP C	CE04W10V-100M(UTSP)	1	397531017T
PCB3	C705	UTSP C	CE04W10V-100M(UTSP)	1	397531017T
PCB3	C706	UTSP C	CE04W16V-470M(UTSP)	1	397544717T
PCB3	C707	VR C	CE04W16V-220M(VR)	1	394642217T
PCB3	C708	UTSP C	CE04W10V-100M(UTSP)	1	397531017T
PCB3	C709	C-CERA C	CK725F1E-104Z1	1	332161040R1
PCB3	C744	C-CERA C	CK725F1E-104Z1	1	332161040R1
PCB3	C745	C-CERA C	CK725F1E-104Z1	1	332161040R1
PCB3	C747	UTSP C	CE04W50V-10M(UTSP)	1	397581007T
PCB3	C748	UTSP C	CE04W10V-100M(UTSP)	1	397531017T
PCB3	C751	UTSP C	CE04W50V-1M(UTSP)	1	397580107T

PCB3	C753	UTSP C	CE04W6.3V-1000M(UTSP)	1	397521027T	
PCB3	C761	UTSP C	CE04W50V-1M(UTSP)	1	397580107T	
PCB3	C762	C-CERA C	CK732B1A-105K	1	337361055R2	
PCB3	C771	UTSP C	CE04W50V-1M(UTSP)	1	397580107T	
PCB3	C772	C-CERA C	CK732B1A-105K	1	337361055R2	
PCB3	L131	CHOKO COIL	LBC2518T2R2M	1	231364M022R2	
PCB3	L132	CHOKO COIL	LBC2518T2R2M	1	231364M022R2	
PCB3	L133	CHOKO COIL	LBC2518T470M	1	231364M470R2	
PCB3	L134	CHOKO COIL	LBC2518T470M	1	231364M470R2	
PCB3	L152	CHOKO COIL	BLM21PG221SN1	1	230949R2	
PCB3	L153	CHOKO COIL	BLM21PG221SN1	1	230949R2	
PCB3	L171	CHOKO COIL	LBC2518T470M	1	231364M470R2	
PCB3	L173	EMIFIL	BK1608LM182-T	1	230958R1	
PCB3	L302	CHOKO COIL	BLM21PG221SN1	1	230949R2	
PCB3	L303	CHOKO COIL	LBC2518T4R7M	1	231364M047R2	
PCB3	L304	CHOKO COIL	BLM21PG221SN1	1	230949R2	
PCB3	L311	EMIFIL	BK1608LM182-T	1	230958R1	
PCB3	L313	EMIFIL	BK1608LM182-T	1	230958R1	
PCB3	L741	CHOKO COIL	BLM21PG221SN1	1	230949R2	
PCB3	L742	CHOKO COIL	BLM21PG221SN1	1	230949R2	
PCB3	L743	CHOKO COIL	BLM21PG221SN1	1	230949R2	
PCB3	L744	CHOKO COIL	BLM21PG221SN1	1	230949R2	
PCB3	L746	CHOKO COIL	BLM21PG221SN1	1	230949R2	
PCB3	L747	CHOKO COIL	BLM21PG221SN1	1	230949R2	
PCB3	R102	METAL O R	RS1WBJ-22	1	443622204T	
PCB3	R103	METAL O R	RS1/2WBJ-10	1	443521004T	
PCB3	R104	C-CARBON R	RN72K1J-000JE	1	435030004R1	<PP, PB>
PCB3	R105	C-CARBON R	RN72K1J-103JE	1	435031034R1	
PCB3	R106	C-CARBON R	RN72K1J-000JE	1	435030004R1	<DD, DC>
PCB3	R106	C-CARBON R	RN72K1J-000JE	1	435030004R1	<WT, WO, WF>
PCB3	R106	C-CARBON R	RN72K1J-000JE	1	435030004R1	<GK, GQ, GR>
PCB3	R107	C-CARBON R	RN72K1J-000JE	1	435030004R1	<DD, DC>
PCB3	R107	C-CARBON R	RN72K1J-000JE	1	435030004R1	<WT, WO, WF>

PCB3	R107	C-CARBON R	RN72K1J-000JE	1	435030004R1	<GK, GQ, GR>
PCB3	R108	C-CARBON R	RN72K1J-105JE	1	435031054R1	
PCB3	R109	C-CARBON R	RN72K1J-221JE	1	435032214R1	
PCB3	R110	C-CARBON R	RN72K1J-221JE	1	435032214R1	
PCB3	R111	C-CARBON R	RN72K1J-333JE	1	435033334R1	
PCB3	R131	C-CARBON R	RN72K1J-750JE	1	435037504R1	
PCB3	R132	C-CARBON R	RN72K1J-750JE	1	435037504R1	
PCB3	R133	C-CARBON R	RN72K1J-100JE	1	435031004R1	
PCB3	R134	C-CARBON R	RN72K1J-100JE	1	435031004R1	
PCB3	R135	C-CARBON R	RN72K1J-224JE	1	435032244R1	
PCB3	R136	C-CARBON R	RN72K1J-224JE	1	435032244R1	
PCB3	R137	C-CARBON R	RN72K1J-103JE	1	435031034R1	
PCB3	R138	C-CARBON R	RN72K1J-103JE	1	435031034R1	
PCB3	R139	C-CARBON R	RN72K1J-823JE	1	435038234R1	
PCB3	R140	C-CARBON R	RN72K1J-823JE	1	435038234R1	
PCB3	R141	C-CARBON R	RN72K1J-470JE	1	435034704R1	
PCB3	R142	C-CARBON R	RN72K1J-470JE	1	435034704R1	
PCB3	R151	C-CARBON R	RN72K1J-103JE	1	435031034R1	
PCB3	R152	C-CARBON R	RN72K1J-103JE	1	435031034R1	
PCB3	R153	C-CARBON R	RN72K1J-222JE	1	435032224R1	
PCB3	R171	C-CARBON R	RN72K1J-105JE	1	435031054R1	
PCB3	R173	C-CARBON R	RN72K1J-470JE	1	435034704R1	
PCB3	R301	C-CARBON R	RN72K1J-331JE	1	435033314R1	
PCB3	R302	C-CARBON R	RN72K1J-331JE	1	435033314R1	
PCB3	R303	C-CARBON R	RN72K1J-331JE	1	435033314R1	
PCB3	R304	C-CARBON R	RN72K1J-221JE	1	435032214R1	
PCB3	R305	C-CARBON R	RN72K1J-470JE	1	435034704R1	
PCB3	R306	C-CARBON R	RN72K1J-221JE	1	435032214R1	
PCB3	R307	C-CARBON R	RN72K1J-221JE	1	435032214R1	
PCB3	R308	C-CARBON R	RN72K1J-470JE	1	435034704R1	
PCB3	R309	C-CARBON R	RN72K1J-221JE	1	435032214R1	
PCB3	R311	C-CARBON R	RN72K1J-272JE	1	435032724R1	
PCB3	R312	C-CARBON R	RN72K1J-470JE	1	435034704R1	

PCB3	R313	C-CARBON R	RN72K1J-151JE	1	435031514R1
PCB3	R314	C-CARBON R	RN72K1J-331JE	1	435033314R1
PCB3	R315	C-CARBON R	RN72K1J-470JE	1	435034704R1
PCB3	R316	C-CARBON R	RN72K1J-470JE	1	435034704R1
PCB3	R317	C-CARBON R	RN72K1J-331JE	1	435033314R1
PCB3	R318	C-CARBON R	RN72K1J-331JE	1	435033314R1
PCB3	R319	C-CARBON R	RN72K1J-331JE	1	435033314R1
PCB3	R321	C-CARBON R	RN72K1J-560JE	1	435035604R1
PCB3	R322	C-CARBON R	RN72K1J-560JE	1	435035604R1
PCB3	R323	C-CARBON R	RN72K1J-560JE	1	435035604R1
PCB3	R324	C-CARBON R	RN72K1J-560JE	1	435035604R1
PCB3	R325	C-CARBON R	RN72K1J-392JE	1	435033924R1
PCB3	R326	C-CARBON R	RN72K1J-392JE	1	435033924R1
PCB3	R333	C-CARBON R	RN72K1J-331JE	1	435033314R1
PCB3	R334	C-CARBON R	RN72K1J-331JE	1	435033314R1
PCB3	R336	C-CARBON R	RN72K1J-331JE	1	435033314R1
PCB3	R337	C-CARBON R	RN72K1J-331JE	1	435033314R1
PCB3	R340	C-CARBON R	RN72K1J-000JE	1	435030004R1
PCB3	R341	C-CARBON R	RN72K1J-103JE	1	435031034R1
PCB3	R342	C-CARBON R	RN72K1J-103JE	1	435031034R1
PCB3	R351	C-CARBON R	RN72K1J-103JE	1	435031034R1
PCB3	R352	C-CARBON R	RN72K1J-103JE	1	435031034R1
PCB3	R401	C-CARBON R	RN72K1J-332JE	1	435033324R1
PCB3	R402	C-CARBON R	RN72K1J-332JE	1	435033324R1
PCB3	R403	C-CARBON R	RN72K1J-332JE	1	435033324R1
PCB3	R404	C-CARBON R	RN72K1J-332JE	1	435033324R1
PCB3	R405	C-CARBON R	RN72K1J-332JE	1	435033324R1
PCB3	R406	C-CARBON R	RN72K1J-332JE	1	435033324R1
PCB3	R407	C-CARBON R	RN72K1J-332JE	1	435033324R1
PCB3	R408	C-CARBON R	RN72K1J-332JE	1	435033324R1
PCB3	R411	C-CARBON R	RN72K1J-332JE	1	435033324R1
PCB3	R412	C-CARBON R	RN72K1J-332JE	1	435033324R1
PCB3	R413	C-CARBON R	RN72K1J-332JE	1	435033324R1

PCB3	R414	C-CARBON R	RN72K1J-332JE	1	435033324R1
PCB3	R415	C-CARBON R	RN72K1J-332JE	1	435033324R1
PCB3	R416	C-CARBON R	RN72K1J-332JE	1	435033324R1
PCB3	R417	C-CARBON R	RN72K1J-332JE	1	435033324R1
PCB3	R418	C-CARBON R	RN72K1J-332JE	1	435033324R1
PCB3	R421	C-CARBON R	RN72K1J-471JE	1	435034714R1
PCB3	R422	C-CARBON R	RN72K1J-471JE	1	435034714R1
PCB3	R423	C-CARBON R	RN72K1J-471JE	1	435034714R1
PCB3	R424	C-CARBON R	RN72K1J-471JE	1	435034714R1
PCB3	R425	C-CARBON R	RN72K1J-471JE	1	435034714R1
PCB3	R426	C-CARBON R	RN72K1J-471JE	1	435034714R1
PCB3	R427	C-CARBON R	RN72K1J-471JE	1	435034714R1
PCB3	R428	C-CARBON R	RN72K1J-471JE	1	435034714R1
PCB3	R431	C-CARBON R	RN72K1J-471JE	1	435034714R1
PCB3	R432	C-CARBON R	RN72K1J-471JE	1	435034714R1
PCB3	R433	C-CARBON R	RN72K1J-471JE	1	435034714R1
PCB3	R434	C-CARBON R	RN72K1J-471JE	1	435034714R1
PCB3	R435	C-CARBON R	RN72K1J-471JE	1	435034714R1
PCB3	R436	C-CARBON R	RN72K1J-471JE	1	435034714R1
PCB3	R437	C-CARBON R	RN72K1J-471JE	1	435034714R1
PCB3	R438	C-CARBON R	RN72K1J-471JE	1	435034714R1
PCB3	R441	C-CARBON R	RN72K1J-472JE	1	435034724R1
PCB3	R442	C-CARBON R	RN72K1J-472JE	1	435034724R1
PCB3	R443	C-CARBON R	RN72K1J-472JE	1	435034724R1
PCB3	R444	C-CARBON R	RN72K1J-472JE	1	435034724R1
PCB3	R445	C-CARBON R	RN72K1J-472JE	1	435034724R1
PCB3	R446	C-CARBON R	RN72K1J-472JE	1	435034724R1
PCB3	R447	C-CARBON R	RN72K1J-472JE	1	435034724R1
PCB3	R448	C-CARBON R	RN72K1J-472JE	1	435034724R1
PCB3	R451	C-CARBON R	RN72K1J-472JE	1	435034724R1
PCB3	R452	C-CARBON R	RN72K1J-472JE	1	435034724R1
PCB3	R453	C-CARBON R	RN72K1J-472JE	1	435034724R1
PCB3	R454	C-CARBON R	RN72K1J-472JE	1	435034724R1

PCB3	R455	C-CARBON R	RN72K1J-472JE	1	435034724R1
PCB3	R456	C-CARBON R	RN72K1J-472JE	1	435034724R1
PCB3	R457	C-CARBON R	RN72K1J-472JE	1	435034724R1
PCB3	R458	C-CARBON R	RN72K1J-472JE	1	435034724R1
PCB3	R461	C-CARBON R	RN72K1J-181JE	1	435031814R1
PCB3	R462	C-CARBON R	RN72K1J-181JE	1	435031814R1
PCB3	R463	C-CARBON R	RN72K1J-181JE	1	435031814R1
PCB3	R464	C-CARBON R	RN72K1J-181JE	1	435031814R1
PCB3	R465	C-CARBON R	RN72K1J-181JE	1	435031814R1
PCB3	R466	C-CARBON R	RN72K1J-181JE	1	435031814R1
PCB3	R467	C-CARBON R	RN72K1J-181JE	1	435031814R1
PCB3	R468	C-CARBON R	RN72K1J-181JE	1	435031814R1
PCB3	R471	C-CARBON R	RN72K1J-181JE	1	435031814R1
PCB3	R472	C-CARBON R	RN72K1J-181JE	1	435031814R1
PCB3	R473	C-CARBON R	RN72K1J-181JE	1	435031814R1
PCB3	R474	C-CARBON R	RN72K1J-181JE	1	435031814R1
PCB3	R475	C-CARBON R	RN72K1J-181JE	1	435031814R1
PCB3	R476	C-CARBON R	RN72K1J-181JE	1	435031814R1
PCB3	R477	C-CARBON R	RN72K1J-181JE	1	435031814R1
PCB3	R478	C-CARBON R	RN72K1J-181JE	1	435031814R1
PCB3	R563	C-CARBON R	RN72K1J-221JE	1	435032214R1
PCB3	R564	C-CARBON R	RN72K1J-103JE	1	435031034R1
PCB3	R565	C-CARBON R	RN72K1J-103JE	1	435031034R1
PCB3	R566	C-CARBON R	RN72K1J-103JE	1	435031034R1
PCB3	R567	C-CARBON R	RN72K1J-103JE	1	435031034R1
PCB3	R568	C-CARBON R	RN72K1J-103JE	1	435031034R1
PCB3	R591	C-CARBON R	RN72K1J-220JE	1	435032204R1
PCB3	R592	C-CARBON R	RN72K1J-220JE	1	435032204R1
PCB3	R599	C-CARBON R	RN72K1J-103JE	1	435031034R1
PCB3	R600	C-CARBON R	RN72K1J-470JE	1	435034704R1
PCB3	R601	C-CARBON R	RN72K1J-473JE	1	435034734R1
PCB3	R604	C-CARBON R	RN72K1J-221JE	1	435032214R1
PCB3	R605	C-CARBON R	RN72K1J-470JE	1	435034704R1

PCB3	R606	C-CARBON R	RN72K1J-221JE	1	435032214R1	
PCB3	R607	C-CARBON R	RN72K1J-221JE	1	435032214R1	
PCB3	R608	C-CARBON R	RN72K1J-221JE	1	435032214R1	
PCB3	R609	C-CARBON R	RN72K1J-103JE	1	435031034R1	
PCB3	R610	C-CARBON R	RN72K1J-103JE	1	435031034R1	<DD, DC>
PCB3	R610	C-CARBON R	RN72K1J-222JE	1	435032224R1	<PP, PB>
PCB3	R610	C-CARBON R	RN72K1J-103JE	1	435031034R1	<WT, WO, WF>
PCB3	R610	C-CARBON R	RN72K1J-103JE	1	435031034R1	<GK, GQ, GR>
PCB3	R612	C-CARBON R	RN72K1J-102JE	1	435031024R1	<PP, PB>
PCB3	R613	C-CARBON R	RN72K1J-221JE	1	435032214R1	
PCB3	R614	C-CARBON R	RN72K1J-105JE	1	435031054R1	
PCB3	R615	C-CARBON R	RN72K1J-103JE	1	435031034R1	
PCB3	R617	C-CARBON R	RN72K1J-103JE	1	435031034R1	
PCB3	R618	C-CARBON R	RN72K1J-221JE	1	435032214R1	
PCB3	R619	C-CARBON R	RN72K1J-102JE	1	435031024R1	<PP, PB>
PCB3	R620	C-CARBON R	RN72K1J-470JE	1	435034704R1	
PCB3	R622	C-CARBON R	RN72K1J-470JE	1	435034704R1	
PCB3	R623	C-CARBON R	RN72K1J-470JE	1	435034704R1	
PCB3	R625	C-CARBON R	RN72K1J-221JE	1	435032214R1	
PCB3	R626	C-CARBON R	RN72K1J-221JE	1	435032214R1	
PCB3	R627	C-CARBON R	RN72K1J-470JE	1	435034704R1	
PCB3	R630	C-CARBON R	RN72K1J-103JE	1	435031034R1	<DD, DC>
PCB3	R630	C-CARBON R	RN72K1J-103JE	1	435031034R1	<WT, WO, WF>
PCB3	R630	C-CARBON R	RN72K1J-103JE	1	435031034R1	<GK, GQ, GR>
PCB3	R631	C-CARBON R	RN72K1J-222JE	1	435032224R1	<PP, PB>
PCB3	R633	C-CARBON R	RN72K1J-103JE	1	435031034R1	
PCB3	R634	C-CARBON R	RN72K1J-470JE	1	435034704R1	
PCB3	R637	C-CARBON R	RN72K1J-103JE	1	435031034R1	
PCB3	R638	C-CARBON R	RN72K1J-470JE	1	435034704R1	
PCB3	R639	C-CARBON R	RN72K1J-470JE	1	435034704R1	
PCB3	R640	C-CARBON R	RN72K1J-470JE	1	435034704R1	
PCB3	R641	C-CARBON R	RN72K1J-470JE	1	435034704R1	
PCB3	R643	C-CARBON R	RN72K1J-470JE	1	435034704R1	

PCB3	R645	C-CARBON R	RN72K1J-103JE	1	435031034R1	
PCB3	R646	C-CARBON R	RN72K1J-103JE	1	435031034R1	
PCB3	R647	C-CARBON R	RN72K1J-103JE	1	435031034R1	
PCB3	R648	C-CARBON R	RN72K1J-221JE	1	435032214R1	
PCB3	R649	C-CARBON R	RN72K1J-103JE	1	435031034R1	
PCB3	R650	C-CARBON R	RN72K1J-221JE	1	435032214R1	
PCB3	R651	C-CARBON R	RN72K1J-221JE	1	435032214R1	
PCB3	R652	C-CARBON R	RN72K1J-221JE	1	435032214R1	
PCB3	R653	C-CARBON R	RN72K1J-221JE	1	435032214R1	
PCB3	R655	C-CARBON R	RN72K1J-221JE	1	435032214R1	<WT, WO, WF>
PCB3	R658	C-CARBON R	RN72K1J-470JE	1	435034704R1	
PCB3	R659	C-CARBON R	RN72K1J-470JE	1	435034704R1	
PCB3	R660	C-CARBON R	RN72K1J-470JE	1	435034704R1	
PCB3	R661	C-CARBON R	RN72K1J-221JE	1	435032214R1	
PCB3	R662	C-CARBON R	RN72K1J-221JE	1	435032214R1	
PCB3	R663	C-CARBON R	RN72K1J-221JE	1	435032214R1	
PCB3	R664	C-CARBON R	RN72K1J-221JE	1	435032214R1	
PCB3	R665	C-CARBON R	RN72K1J-221JE	1	435032214R1	
PCB3	R666	C-CARBON R	RN72K1J-221JE	1	435032214R1	
PCB3	R668	C-CARBON R	RN72K1J-221JE	1	435032214R1	
PCB3	R669	C-CARBON R	RN72K1J-221JE	1	435032214R1	
PCB3	R670	C-CARBON R	RN72K1J-221JE	1	435032214R1	
PCB3	R671	C-CARBON R	RN72K1J-473JE	1	435034734R1	
PCB3	R672	C-CARBON R	RN72K1J-221JE	1	435032214R1	
PCB3	R673	C-CARBON R	RN72K1J-221JE	1	435032214R1	
PCB3	R674	C-CARBON R	RN72K1J-102JE	1	435031024R1	
PCB3	R675	C-CARBON R	RN72K1J-102JE	1	435031024R1	
PCB3	R676	C-CARBON R	RN72K1J-102JE	1	435031024R1	
PCB3	R677	C-CARBON R	RN72K1J-102JE	1	435031024R1	
PCB3	R678	C-CARBON R	RN72K1J-103JE	1	435031034R1	
PCB3	R679	C-CARBON R	RN72K1J-273JE	1	435032734R1	
PCB3	R680	C-CARBON R	RN72K1J-273JE	1	435032734R1	
PCB3	R682	C-CARBON R	RN72K1J-470JE	1	435034704R1	

PCB3	R683	C-CARBON R	RN72K1J-470JE	1	435034704R1	
PCB3	R684	C-CARBON R	RN72K1J-470JE	1	435034704R1	
PCB3	R685	C-CARBON R	RN72K1J-221JE	1	435032214R1	
PCB3	R686	C-CARBON R	RN72K1J-221JE	1	435032214R1	
PCB3	R687	C-CARBON R	RN72K1J-221JE	1	435032214R1	
PCB3	R688	C-CARBON R	RN72K1J-221JE	1	435032214R1	
PCB3	R689	C-CARBON R	RN72K1J-102JE	1	435031024R1	
PCB3	R690	C-CARBON R	RN72K1J-221JE	1	435032214R1	
PCB3	R691	C-CARBON R	RN72K1J-472JE	1	435034724R1	
PCB3	R692	C-CARBON R	RN72K1J-472JE	1	435034724R1	
PCB3	R693	C-CARBON R	RN72K1J-472JE	1	435034724R1	
PCB3	R694	C-CARBON R	RN72K1J-472JE	1	435034724R1	
PCB3	R695	C-CARBON R	RN72K1J-472JE	1	435034724R1	
PCB3	R696	C-CARBON R	RN72K1J-472JE	1	435034724R1	
PCB3	R697	C-CARBON R	RN72K1J-470JE	1	435034704R1	
PCB3	R698	C-CARBON R	RN72K1J-272JE	1	435032724R1	
PCB3	R699	C-CARBON R	RN72K1J-272JE	1	435032724R1	
PCB3	R700	C-CARBON R	RN72K1J-272JE	1	435032724R1	
PCB3	R701	C-CARBON R	RN72K1J-272JE	1	435032724R1	
PCB3	R702	C-CARBON R	RN72K1J-103JE	1	435031034R1	
PCB3	R703	C-CARBON R	RN72K1J-103JE	1	435031034R1	<PP, PB>
PCB3	R703	C-CARBON R	RN72K1J-103JE	1	435031034R1	<WT, WO, WF>
PCB3	R703	C-CARBON R	RN72K1J-103JE	1	435031034R1	<GK, GQ, GR>
PCB3	R704	C-CARBON R	RN72K1J-000JE	1	435030004R1	<DD, DC>
PCB3	R704	C-CARBON R	RN72K1J-103JE	1	435031034R1	<PP, PB>
PCB3	R705	C-CARBON R	RN72K1J-103JE	1	435031034R1	<PP, PB>
PCB3	R705	C-CARBON R	RN72K1J-103JE	1	435031034R1	<WT, WO, WF>
PCB3	R705	C-CARBON R	RN72K1J-103JE	1	435031034R1	<GK, GQ, GR>
PCB3	R706	C-CARBON R	RN72K1J-000JE	1	435030004R1	<DD, DC>
PCB3	R706	C-CARBON R	RN72K1J-103JE	1	435031034R1	<PP, PB>
PCB3	R706	C-CARBON R	RN72K1J-103JE	1	435031034R1	<WT, WO, WF>
PCB3	R706	C-CARBON R	RN72K1J-103JE	1	435031034R1	<GK, GQ, GR>
PCB3	R708	C-CARBON R	RN72K1J-000JE	1	435030004R1	<DD, DC>

PCB3	R708	C-CARBON R	RN72K1J-000JE	1	435030004R1	<PP, PB>
PCB3	R708	C-CARBON R	RN72K1J-000JE	1	435030004R1	<WT, WO, WF>
PCB3	R708	C-CARBON R	RN72K1J-000JE	1	435030004R1	<GK, GQ, GR>
PCB3	R709	C-CARBON R	RN72K1J-103JE	1	435031034R1	<PP, PB>
PCB3	R709	C-CARBON R	RN72K1J-103JE	1	435031034R1	<WT, WO, WF>
PCB3	R709	C-CARBON R	RN72K1J-103JE	1	435031034R1	<GK, GQ, GR>
PCB3	R710	C-CARBON R	RN72K1J-000JE	1	435030004R1	<DD, DC>
PCB3	R710	C-CARBON R	RN72K1J-103JE	1	435031034R1	<PP, PB>
PCB3	R710	C-CARBON R	RN72K1J-103JE	1	435031034R1	<WT, WO, WF>
PCB3	R710	C-CARBON R	RN72K1J-103JE	1	435031034R1	<GK, GQ, GR>
PCB3	R711	C-CARBON R	RN72K1J-470JE	1	435034704R1	
PCB3	R712	C-CARBON R	RN72K1J-102JE	1	435031024R1	
PCB3	R713	C-CARBON R	RN72K1J-222JE	1	435032224R1	
PCB3	R714	C-CARBON R	RN72K1J-103JE	1	435031034R1	
PCB3	R719	C-CARBON R	RN72K1J-222JE	1	435032224R1	
PCB3	R720	C-CARBON R	RN72K1J-222JE	1	435032224R1	
PCB3	R721	C-CARBON R	RN72K1J-103JE	1	435031034R1	
PCB3	R722	C-CARBON R	RN72K1J-224JE	1	435032244R1	
PCB3	R723	C-CARBON R	RN72K1J-101JE	1	435031014R1	
PCB3	R724	C-CARBON R	RN72K1J-101JE	1	435031014R1	
PCB3	R732	C-CARBON R	RN72K1J-102JE	1	435031024R1	
PCB3	R761	C-CARBON R	RN72K1J-103JE	1	435031034R1	
PCB3	R762	C-CARBON R	RN72K1J-222JE	1	435032224R1	
PCB3	R763	C-CARBON R	RN72K1J-102JE	1	435031024R1	
PCB3	R771	C-CARBON R	RN72K1J-103JE	1	435031034R1	
PCB3	R772	C-CARBON R	RN72K1J-222JE	1	435032224R1	
PCB3	R773	C-CARBON R	RN72K1J-102JE	1	435031024R1	
PCB3	R826	C-CARBON R	RN72K1J-470JE	1	435034704R1	
PCB3	R828	C-CARBON R	RN72K1J-470JE	1	435034704R1	
PCB3	P101A	SOCKET	NSCT-13P2106	1	25052209	
PCB3	P131	PIN JACK	NPJ-2PDO0626	1	25045847	
PCB3	P131 or	PIN JACK	NPJ-2PDO445	(1)	25045640	
PCB3	P2004A	PLUG	NPLG-15P0970	1	25056020	

PCB3	P2005A	PLUG	NPLG-15P0970	1	25056020	
PCB3	P302A	SOCKET	NSCT-15P2195	1	25052298	
PCB3	P303A	SOCKET	NSCT-15P2195	1	25052298	
PCB3	P304A	SOCKET	NSCT-3P2183	1	25052286	
PCB3	P701A	SOCKET	NSCT-33P2126	1	25052229	
PCB3	P704A	PLUG	IMSA-9111B-24	1	25056625	
PCB3	P751A	SOCKET	NSCT-9P2427	1	25052530	
PCB3	JL6402B	WIRE TRAP	NPLG-3P586	1	25055624	
PCB3	A171	TAPE	TAPE(CLOTH-16U)	(1)	29110083	
PCB4	U36	VIDEO PC BOARD (NAVD-9467-1A / 1B / 1C)				
PCB4	U37	SPEAKER TERMINAL PC BOARD (NATRM-9468-1A / 1B / 1C)				
PCB4						
PCB4	CIRCUIT NO.	PART NAME	DESCRIPTION	Q'TY	PART NO. (SN)	REMARKS
PCB4	Q3001	IC	AN15880A-VT	1	22242319R3	
PCB4	Q6601	TR	KRC105S	1	2217290R2	
PCB4	Q6601 or	TR	RN1405	(1)	2214500R2	
PCB4	Q6602	TR	KRC105S	1	2217290R2	
PCB4	Q6602 or	TR	RN1405	(1)	2214500R2	
PCB4	Q6603	TR	KRC105S	1	2217290R2	
PCB4	Q6603 or	TR	RN1405	(1)	2214500R2	
PCB4	Q6604	TR	KRC105S	1	2217290R2	
PCB4	Q6604 or	TR	RN1405	(1)	2214500R2	
PCB4	Q9001	TR	2SC2235-Y(TPE6_F)	1	2211654T	
PCB4	Q9001 or	TR	2SC2235-O(TPE6_F)	(1)	2211653T	
PCB4	Q9002	TR	KRC105S	1	2217290R2	
PCB4	Q9002 or	TR	RN1405	(1)	2214500R2	
PCB4	Q9020	TR	2SA854S-R	1	2217394T	<PP, PB, GK, GQ, GR>
PCB4	Q9020	TR	2SA854S-R	1	2217394T	<WT, WO, WF>
PCB4	Q9021	TR	KRC102S	1	2216190R2	<PP, PB, GK, GQ, GR>
PCB4	Q9021 or	TR	RN1402	(1)	2214470R2	<PP, PB, GK, GQ, GR>
PCB4	Q9021	TR	KRC102S	1	2216190R2	<WT, WO, WF>
PCB4	Q9021 or	TR	RN1402	(1)	2214470R2	<WT, WO, WF>

PCB4	Q9022	IC	78M05(NJM78M05FA)	1	222780055JRC	<DD, DC>
PCB4	Q9022 or	IC	78M05AHF(MPC78M05AHF)	(1)	222780055NEC	<DD, DC>
PCB4	Q9022	IC	78M05(NJM78M05FA)	1	222780055JRC	<PP, PB, GK, GQ, GR>
PCB4	Q9022 or	IC	78M05AHF(MPC78M05AHF)	(1)	222780055NEC	<PP, PB, GK, GQ, GR>
PCB4	Q9022	IC	MPC2905BHF	1	22278005DBNE	<WT, WO, WF>
PCB4	Q9031	IC	MPC2905BHF	1	22278005DBNE	
PCB4	Q9031A	SCREW	3P+10FN(3BC)	1	82143010GR	
PCB4	Q9031B	HEAT SINK	RAD-140	1	27160471	
PCB4	Q9101	TR	2SA950-Y	1	2211504T	<WT, WO, WF>
PCB4	Q9102	TR	2SC1815-GR	1	2211255T	<WT, WO, WF>
PCB4	Q9111	TR	2SA950-Y	1	2211504T	<WT, WO, WF>
PCB4	Q9112	TR	2SC1815-GR	1	2211255T	<WT, WO, WF>
PCB4	D3028	C-DIODE	KDS4148U	1	223283R2	
PCB4	D3028 or	C-DIODE	1SS352	(1)	223234R2	
PCB4	D3028 or	C-DIODE	MA2J111	(1)	223279R2	
PCB4	D3029	C-DIODE	KDS4148U	1	223283R2	
PCB4	D3029 or	C-DIODE	1SS352	(1)	223234R2	
PCB4	D3029 or	C-DIODE	MA2J111	(1)	223279R2	
PCB4	D6600	C-DIODE	KDS4148U	1	223283R2	
PCB4	D6600 or	C-DIODE	1SS352	(1)	223234R2	
PCB4	D6600 or	C-DIODE	MA2J111	(1)	223279R2	
PCB4	D6603	C-DIODE	KDS4148U	1	223283R2	
PCB4	D6603 or	C-DIODE	1SS352	(1)	223234R2	
PCB4	D6603 or	C-DIODE	MA2J111	(1)	223279R2	
PCB4	D6605	C-DIODE	KDS4148U	1	223283R2	
PCB4	D6605 or	C-DIODE	1SS352	(1)	223234R2	
PCB4	D6605 or	C-DIODE	MA2J111	(1)	223279R2	
PCB4	D6607	C-DIODE	KDS4148U	1	223283R2	
PCB4	D6607 or	C-DIODE	1SS352	(1)	223234R2	
PCB4	D6607 or	C-DIODE	MA2J111	(1)	223279R2	
PCB4	D9001	DIODE	RL1N4003	1	22380260T	
PCB4	D9002	DIODE	RL1N4003	1	22380260T	
PCB4	D9005	ZENER D	UDZS36B	1	224553600R2	

PCB4	D9011	DIODE	D5SBA20	1	22380130F	
PCB4	D9012	C-DIODE	KDS4148U	1	223283R2	
PCB4	D9012 or	C-DIODE	1SS352	(1)	223234R2	
PCB4	D9012 or	C-DIODE	MA2J111	(1)	223279R2	
PCB4	D9013	DIODE	RL1N4003	1	22380260T	
PCB4	D9014	C-DIODE	KDS4148U	1	223283R2	
PCB4	D9014 or	C-DIODE	1SS352	(1)	223234R2	
PCB4	D9014 or	C-DIODE	MA2J111	(1)	223279R2	
PCB4	D9015	C-DIODE	KDS4148U	1	223283R2	
PCB4	D9015 or	C-DIODE	1SS352	(1)	223234R2	
PCB4	D9015 or	C-DIODE	MA2J111	(1)	223279R2	
PCB4	D9016	ZENER D	UDZS6.2B	1	224550620R2	<DD, DC>
PCB4	D9016	ZENER D	UDZS6.2B	1	224550620R2	<PP, PB, GK, GQ, GR>
PCB4	D9016	ZENER D	UDZS6.8B	1	224550680R2	<WT, WO, WF>
PCB4	D9017	C-DIODE	KDS4148U	1	223283R2	
PCB4	D9017 or	C-DIODE	1SS352	(1)	223234R2	
PCB4	D9017 or	C-DIODE	MA2J111	(1)	223279R2	
PCB4	D9022	DIODE	RL1N4003	1	22380260T	
PCB4	D9023	C-DIODE	KDS4148U	1	223283R2	
PCB4	D9023 or	C-DIODE	1SS352	(1)	223234R2	
PCB4	D9023 or	C-DIODE	MA2J111	(1)	223279R2	
PCB4	L6600	S COIL	S-1.3C	1	231176S	<PP, PB, GK, GQ, GR>
PCB4	L6600	S COIL	S-1.3C	1	231176S	<WT, WO, WF>
PCB4	L6601	S COIL	S-1.3C	1	231176S	<PP, PB, GK, GQ, GR>
PCB4	L6601	S COIL	S-1.3C	1	231176S	<WT, WO, WF>
PCB4	L6602	S COIL	S-1.3C	1	231176S	<PP, PB, GK, GQ, GR>
PCB4	L6602	S COIL	S-1.3C	1	231176S	<WT, WO, WF>
PCB4	L6603	S COIL	S-1.3C	1	231176S	<PP, PB, GK, GQ, GR>
PCB4	L6603	S COIL	S-1.3C	1	231176S	<WT, WO, WF>
PCB4	L6604	S COIL	S-1.3C	1	231176S	<PP, PB, GK, GQ, GR>
PCB4	L6604	S COIL	S-1.3C	1	231176S	<WT, WO, WF>
PCB4	L6605	S COIL	S-1.3C	1	231176S	<PP, PB, GK, GQ, GR>
PCB4	L6605	S COIL	S-1.3C	1	231176S	<WT, WO, WF>

PCB4	L6606	S COIL	S-1.3C	1	231176S	<PP, PB, GK, GQ, GR>
PCB4	L6606	S COIL	S-1.3C	1	231176S	<WT, WO, WF>
PCB4	C3001	VR C	CE04W16V-100M(VR)	1	394641017T	
PCB4	C3002	C-CERA C	CK725F1E-104Z1	1	332161040R1	
PCB4	C3003	UTSP C	CE04W50V-22M(UTSP)	1	397582207T	
PCB4	C3004	VR C	CE04W6.3V-470M(VR)	1	394624717T	
PCB4	C3005	C-CERA C	CK725F1E-104Z1	1	332161040R1	
PCB4	C3006	VR C	CE04W16V-100M(VR)	1	394641017T	
PCB4	C3007	VR C	CE04W6.3V-470M(VR)	1	394624717T	
PCB4	C3008	C-CERA C	CK725F1E-104Z1	1	332161040R1	
PCB4	C3010	C-CERA C	CK725F1E-104Z1	1	332161040R1	
PCB4	C3011	VR C	CE04W6.3V-470M(VR)	1	394624717T	
PCB4	C3012	C-CERA C	CK725F1E-104Z1	1	332161040R1	
PCB4	C3013	VR C	CE04W16V-100M(VR)	1	394641017T	
PCB4	C3014	C-CERA C	CK725F1E-104Z1	1	332161040R1	
PCB4	C3015	C-CERA C	CK725F1E-104Z1	1	332161040R1	
PCB4	C3017	VR C	CE04W6.3V-470M(VR)	1	394624717T	
PCB4	C3018	VR C	CE04W6.3V-470M(VR)	1	394624717T	
PCB4	C3019	C-CERA C	CK725F1E-104Z1	1	332161040R1	
PCB4	C3021	VR C	CE04W6.3V-470M(VR)	1	394624717T	
PCB4	C3022	VR C	CE04W16V-100M(VR)	1	394641017T	
PCB4	C3023	C-CERA C	CK725F1E-104Z1	1	332161040R1	
PCB4	C3024	VR C	CE04W6.3V-470M(VR)	1	394624717T	
PCB4	C3030	C-CERA C	CK725B1H-102K1	1	332101025R1	
PCB4	C3031	C-CERA C	CK725B1H-102K1	1	332101025R1	
PCB4	C3032	C-CERA C	CK725B1H-102K1	1	332101025R1	
PCB4	C3033	UTSP C	CE04W50V-10M(UTSP)	1	397581007T	
PCB4	C3034	UTSP C	CE04W50V-10M(UTSP)	1	397581007T	
PCB4	C3035	C-CERA C	CK725F1E-104Z1	1	332161040R1	
PCB4	C3036	UTSP C	CE04W50V-10M(UTSP)	1	397581007T	
PCB4	C3037	UTSP C	CE04W50V-10M(UTSP)	1	397581007T	
PCB4	C3038	C-CERA C	CK725F1E-104Z1	1	332161040R1	
PCB4	C3039	C-CERA C	CK725B1H-102K1	1	332101025R1	

PCB4	C3040	UTSP C	CE04W50V-10M(UTSP)	1	397581007T	
PCB4	C3041	UTSP C	CE04W50V-10M(UTSP)	1	397581007T	
PCB4	C3042	C-CERA C	CK725F1E-104Z1	1	332161040R1	
PCB4	C3043	C-CERA C	CK725B1H-102K1	1	332101025R1	
PCB4	C3044	UTSP C	CE04W50V-10M(UTSP)	1	397581007T	
PCB4	C3045	UTSP C	CE04W50V-10M(UTSP)	1	397581007T	
PCB4	C3046	UTSP C	CE04W50V-10M(UTSP)	1	397581007T	
PCB4	C3047	UTSP C	CE04W50V-10M(UTSP)	1	397581007T	
PCB4	C3048	UTSP C	CE04W50V-10M(UTSP)	1	397581007T	
PCB4	C3049	UTSP C	CE04W50V-10M(UTSP)	1	397581007T	
PCB4	C3050	C-CERA C	CK725B1H-102K1	1	332101025R1	
PCB4	C3061	UTSP C	CE04W50V-10M(UTSP)	1	397581007T	
PCB4	C3062	C-CERA C	CC725CH1H-101J1	1	342101014R1	
PCB4	C3063	C-CERA C	CC725CH1H-101J1	1	342101014R1	
PCB4	C3064	C-CERA C	CC725CH1H-101J1	1	342101014R1	
PCB4	C3065	C-CERA C	CC725CH1H-101J1	1	342101014R1	
PCB4	C3066	C-CERA C	CC725CH1H-101J1	1	342101014R1	
PCB4	C3067	C-CERA C	CC725CH1H-101J1	1	342101014R1	
PCB4	C3068	C-CERA C	CC725CH1H-470J1	1	342104704R1	
PCB4	C3069	C-CERA C	CC725CH1H-470J1	1	342104704R1	
PCB4	C3070	C-CERA C	CC725CH1H-470J1	1	342104704R1	
PCB4	C6600	TF C	ECQ-B50V-103J	1	374721034T	
PCB4	C6602	TF C	ECQ-B50V-103J	1	374721034T	
PCB4	C6603	TF C	ECQ-B50V-103J	1	374721034T	
PCB4	C6605	TF C	ECQ-B50V-103J	1	374721034T	
PCB4	C6607	TF C	ECQ-B50V-103J	1	374721034T	
PCB4	C6640	TF C	ECQ-B50V-103J	1	374721034T	<PP, PB, GK, GQ, GR>
PCB4	C6640	TF C	ECQ-B50V-103J	1	374721034T	<WT, WO, WF>
PCB4	C6641	TF C	ECQ-B50V-103J	1	374721034T	<PP, PB, GK, GQ, GR>
PCB4	C6641	TF C	ECQ-B50V-103J	1	374721034T	<WT, WO, WF>
PCB4	C6642	TF C	ECQ-B50V-103J	1	374721034T	<PP, PB, GK, GQ, GR>
PCB4	C6642	TF C	ECQ-B50V-103J	1	374721034T	<WT, WO, WF>
PCB4	C6643	TF C	ECQ-B50V-103J	1	374721034T	<PP, PB, GK, GQ, GR>

PCB4	C6643	TF C	ECQ-B50V-103J	1	374721034T	<WT, WO, WF>
PCB4	C6644	TF C	ECQ-B50V-103J	1	374721034T	<PP, PB, GK, GQ, GR>
PCB4	C6644	TF C	ECQ-B50V-103J	1	374721034T	<WT, WO, WF>
PCB4	C6645	TF C	ECQ-B50V-103J	1	374721034T	<PP, PB, GK, GQ, GR>
PCB4	C6645	TF C	ECQ-B50V-103J	1	374721034T	<WT, WO, WF>
PCB4	C6646	TF C	ECQ-B50V-103J	1	374721034T	<PP, PB, GK, GQ, GR>
PCB4	C6646	TF C	ECQ-B50V-103J	1	374721034T	<WT, WO, WF>
PCB4	C6650	TF C	ECQ-B50V-102J	1	374721024T	<PP, PB, GK, GQ, GR>
PCB4	C6650	TF C	ECQ-B50V-102J	1	374721024T	<WT, WO, WF>
PCB4	C6651	TF C	ECQ-B50V-102J	1	374721024T	<PP, PB, GK, GQ, GR>
PCB4	C6651	TF C	ECQ-B50V-102J	1	374721024T	<WT, WO, WF>
PCB4	C6652	TF C	ECQ-B50V-102J	1	374721024T	<PP, PB, GK, GQ, GR>
PCB4	C6652	TF C	ECQ-B50V-102J	1	374721024T	<WT, WO, WF>
PCB4	C6653	TF C	ECQ-B50V-102J	1	374721024T	<PP, PB, GK, GQ, GR>
PCB4	C6653	TF C	ECQ-B50V-102J	1	374721024T	<WT, WO, WF>
PCB4	C6654	TF C	ECQ-B50V-102J	1	374721024T	<PP, PB, GK, GQ, GR>
PCB4	C6654	TF C	ECQ-B50V-102J	1	374721024T	<WT, WO, WF>
PCB4	C6655	TF C	ECQ-B50V-102J	1	374721024T	<PP, PB, GK, GQ, GR>
PCB4	C6655	TF C	ECQ-B50V-102J	1	374721024T	<WT, WO, WF>
PCB4	C6656	TF C	ECQ-B50V-102J	1	374721024T	<PP, PB, GK, GQ, GR>
PCB4	C6656	TF C	ECQ-B50V-102J	1	374721024T	<WT, WO, WF>
PCB4	C9001	VR C	CE04W63V-470M(VR)	1	394674717S	
PCB4	C9005	UTSP C	CE04W50V 47M(UTSP)	1	397584707T	
PCB4	C9006	C-CERA C	CK725F1E-104Z1	1	332161040R1	
PCB4	C9011	VR C	CE04W16V-10000M(VR)	1	394641037S	
PCB4	C9012	TF C	ECQ-V50V-334J	1	374723344T	
PCB4	C9013	UTSP C	CE04W50V-2.2M(UTSP)	1	397580227T	
PCB4	C9014	UTSP C	CE04W50V-1M(UTSP)	1	397580107T	
PCB4	C9023	UTSP C	CE04W50V-10M(UTSP)	1	397581007T	
PCB4	C9025	VR C	CE04W6.3V-470M(VR)	1	394624717T	
PCB4	C9030	UTSP C	CE04W25V-220M(UTSP)	1	397552217T	
PCB4	C9031	C-CERA C	CK725F1E-104Z1	1	332161040R1	
PCB4	C9032	VR C	CE04W6.3V-470M(VR)	1	394624717T	

PCB4	C9101	UTSP C	CE04W25V-220M(UTSP)	1	397552217T	<WT, WO, WF>
PCB4	R3001	C-CARBON R	RN72K1J-000JE	1	435030004R1	
PCB4	R3002	C-CARBON R	RN72K1J-000JE	1	435030004R1	
PCB4	R3003	C-CARBON R	RN72K1J-000JE	1	435030004R1	
PCB4	R3011	C-CARBON R	RN72K1J-750JE	1	435037504R1	
PCB4	R3012	C-CARBON R	RN72K1J-750JE	1	435037504R1	
PCB4	R3013	C-CARBON R	RN72K1J-750JE	1	435037504R1	
PCB4	R3014	C-CARBON R	RN72K1J-750JE	1	435037504R1	
PCB4	R3015	C-CARBON R	RN72K1J-750JE	1	435037504R1	
PCB4	R3016	C-CARBON R	RN72K1J-750JE	1	435037504R1	
PCB4	R3017	C-CARBON R	RN72K1J-750JE	1	435037504R1	
PCB4	R3018	C-CARBON R	RN72K1J-750JE	1	435037504R1	
PCB4	R3019	C-CARBON R	RN72K1J-750JE	1	435037504R1	
PCB4	R3020	C-CARBON R	RN72K1J-750JE	1	435037504R1	
PCB4	R3021	C-CARBON R	RN72K1J-750JE	1	435037504R1	
PCB4	R3022	C-CARBON R	RN72K1J-750JE	1	435037504R1	
PCB4	R3023	C-CARBON R	RN72K1J-750JE	1	435037504R1	
PCB4	R3024	C-CARBON R	RN72K1J-750JE	1	435037504R1	
PCB4	R3025	C-CARBON R	RN72K1J-750JE	1	435037504R1	
PCB4	R3026	C-CARBON R	RN72K1J-750JE	1	435037504R1	
PCB4	R3027	C-CARBON R	RN72K1J-750JE	1	435037504R1	
PCB4	R3028	C-CARBON R	RN72K1J-750JE	1	435037504R1	
PCB4	R3029	C-CARBON R	RN72K1J-750JE	1	435037504R1	
PCB4	R3030	C-CARBON R	RN72K1J-750JE	1	435037504R1	
PCB4	R3031	C-CARBON R	RN72K1J-750JE	1	435037504R1	
PCB4	R3038	METAL R	RNU1/2WCJ-1	1	453530104T	
PCB4	R3041	C-CARBON R	RN72K1J-750JE	1	435037504R1	
PCB4	R3042	C-CARBON R	RN72K1J-750JE	1	435037504R1	
PCB4	R3043	C-CARBON R	RN72K1J-750JE	1	435037504R1	
PCB4	R3050	C-CARBON R	RN72K1J-000JE	1	435030004R1	
PCB4	R3051	C-CARBON R	RN72K1J-000JE	1	435030004R1	
PCB4	R3052	C-CARBON R	RN72K1J-000JE	1	435030004R1	
PCB4	R3053	C-CARBON R	RN72K1J-000JE	1	435030004R1	

PCB4	R3054	C-CARBON R	RN72K1J-000JE	1	435030004R1	
PCB4	R3055	C-CARBON R	RN72K1J-000JE	1	435030004R1	
PCB4	R3056	C-CARBON R	RN72K1J-000JE	1	435030004R1	
PCB4	R3057	C-CARBON R	RN72K1J-000JE	1	435030004R1	
PCB4	R3058	C-CARBON R	RN72K1J-000JE	1	435030004R1	
PCB4	R3059	C-CARBON R	RN72K1J-000JE	1	435030004R1	
PCB4	R3060	C-CARBON R	RN72K1J-000JE	1	435030004R1	
PCB4	R3061	C-CARBON R	RN72K1J-000JE	1	435030004R1	
PCB4	R3062	C-CARBON R	RN72K1J-000JE	1	435030004R1	
PCB4	R3063	C-CARBON R	RN72K1J-000JE	1	435030004R1	
PCB4	R3064	C-CARBON R	RN72K1J-000JE	1	435030004R1	
PCB4	R3065	C-CARBON R	RN72K1J-000JE	1	435030004R1	
PCB4	R3066	C-CARBON R	RN72K1J-000JE	1	435030004R1	
PCB4	R3067	C-CARBON R	RN72K1J-000JE	1	435030004R1	
PCB4	R3068	C-CARBON R	RN72K1J-000JE	1	435030004R1	
PCB4	R3069	C-CARBON R	RN72K1J-000JE	1	435030004R1	
PCB4	R3070	C-CARBON R	RN72K1J-000JE	1	435030004R1	
PCB4	R3071	C-CARBON R	RN72K1J-000JE	1	435030004R1	
PCB4	R3072	C-CARBON R	RN72K1J-000JE	1	435030004R1	
PCB4	R3073	C-CARBON R	RN72K1J-000JE	1	435030004R1	
PCB4	R3074	C-CARBON R	RN72K1J-000JE	1	435030004R1	
PCB4	R3075	C-CARBON R	RN72K1J-000JE	1	435030004R1	
PCB4	R3089	C-CARBON R	RN72K1J-750JE	1	435037504R1	
PCB4	R6600	C-CARBON R	RN72K2E-220JE	1	435222204R1	<PP, PB, GK, GQ, GR>
PCB4	R6600	C-CARBON R	RN72K2E-220JE	1	435222204R1	<WT, WO, WF>
PCB4	R6601	C-CARBON R	RN72K2E-220JE	1	435222204R1	<PP, PB, GK, GQ, GR>
PCB4	R6601	C-CARBON R	RN72K2E-220JE	1	435222204R1	<WT, WO, WF>
PCB4	R6602	C-CARBON R	RN72K2E-220JE	1	435222204R1	<PP, PB, GK, GQ, GR>
PCB4	R6602	C-CARBON R	RN72K2E-220JE	1	435222204R1	<WT, WO, WF>
PCB4	R6603	C-CARBON R	RN72K2E-220JE	1	435222204R1	<PP, PB, GK, GQ, GR>
PCB4	R6603	C-CARBON R	RN72K2E-220JE	1	435222204R1	<WT, WO, WF>
PCB4	R6604	C-CARBON R	RN72K2E-220JE	1	435222204R1	<PP, PB, GK, GQ, GR>
PCB4	R6604	C-CARBON R	RN72K2E-220JE	1	435222204R1	<WT, WO, WF>

PCB4	R6605	C-CARBON R	RN72K2E-220JE	1	435222204R1	<PP, PB, GK, GQ, GR>
PCB4	R6605	C-CARBON R	RN72K2E-220JE	1	435222204R1	<WT, WO, WF>
PCB4	R6606	C-CARBON R	RN72K2E-220JE	1	435222204R1	<PP, PB, GK, GQ, GR>
PCB4	R6606	C-CARBON R	RN72K2E-220JE	1	435222204R1	<WT, WO, WF>
PCB4	R6610	C-CARBON R	RN72K2E-220JE	1	435222204R1	<PP, PB, GK, GQ, GR>
PCB4	R6610	C-CARBON R	RN72K2E-220JE	1	435222204R1	<WT, WO, WF>
PCB4	R6611	C-CARBON R	RN72K2E-220JE	1	435222204R1	<PP, PB, GK, GQ, GR>
PCB4	R6611	C-CARBON R	RN72K2E-220JE	1	435222204R1	<WT, WO, WF>
PCB4	R6612	C-CARBON R	RN72K2E-220JE	1	435222204R1	<PP, PB, GK, GQ, GR>
PCB4	R6612	C-CARBON R	RN72K2E-220JE	1	435222204R1	<WT, WO, WF>
PCB4	R6613	C-CARBON R	RN72K2E-220JE	1	435222204R1	<PP, PB, GK, GQ, GR>
PCB4	R6613	C-CARBON R	RN72K2E-220JE	1	435222204R1	<WT, WO, WF>
PCB4	R6614	C-CARBON R	RN72K2E-220JE	1	435222204R1	<PP, PB, GK, GQ, GR>
PCB4	R6614	C-CARBON R	RN72K2E-220JE	1	435222204R1	<WT, WO, WF>
PCB4	R6615	C-CARBON R	RN72K2E-220JE	1	435222204R1	<PP, PB, GK, GQ, GR>
PCB4	R6615	C-CARBON R	RN72K2E-220JE	1	435222204R1	<WT, WO, WF>
PCB4	R6616	C-CARBON R	RN72K2E-220JE	1	435222204R1	<PP, PB, GK, GQ, GR>
PCB4	R6616	C-CARBON R	RN72K2E-220JE	1	435222204R1	<WT, WO, WF>
PCB4	R6690	METAL O R	RS1/2WBJ-10	1	443521004T	<DD, DC>
PCB4	R6690	METAL O R	RS1/2WBJ-10	1	443521004T	<PP, PB, GK, GQ, GR>
PCB4	R6690	METAL O R	RS1/2WBJ-10	1	443521004T	<WT, WO, WF>
PCB4	R6691	METAL O R	RS1/2WBJ-390	1	443523914T	
PCB4	R6692	METAL O R	RS1/2WBJ-390	1	443523914T	
PCB4	R6693	C-CARBON R	RN72K1J-000JE	1	435030004R1	
PCB4	R9001	METAL O R	RS1WBJ-220	1	443622214T	
PCB4	R9002	C-CARBON R	RN72K1J-822JE	1	435038224R1	
PCB4	R9003	C-CARBON R	RN72K1J-822JE	1	435038224R1	
PCB4	R9004	C-CARBON R	RN72K1J-333JE	1	435033334R1	
PCB4	R9011	METAL R	RNU1/2WCJ-4.7	1	453530474T	
PCB4	R9012	METAL R	RNU1/2WCJ-1	1	453530104T	
PCB4	R9013	METAL R	RNU1/2WCJ-1	1	453530104T	
PCB4	R9014	C-CARBON R	RN72K1J-104JE	1	435031044R1	
PCB4	R9024	C-CARBON R	RN72K1J-473JE	1	435034734R1	<PP, PB, GK, GQ, GR>

PCB4	R9024	C-CARBON R	RN72K1J-473JE	1	435034734R1	<WT, WO, WF>
PCB4	R9025	C-CARBON R	RN72K1J-102JE	1	435031024R1	<PP, PB, GK, GQ, GR>
PCB4	R9025	C-CARBON R	RN72K1J-102JE	1	435031024R1	<WT, WO, WF>
PCB4	R9029	METAL R	RNU1WCJ-0.22	1	453632294T	
PCB4	R9030	METAL O R	RS2WBJ-22	1	442722204F	
PCB4	R9031	METAL R	RNU2WCJ-3.3	1	452730334F	
PCB4	R9032	METAL R	RNU2WCJ-3.3	1	452730334F	
PCB4	R9033	METAL R	RNU1/2WCJ-1	1	453530104T	
PCB4	R9035	METAL R	RNU1/2WCJ-1	1	453530104T	<DD, DC>
PCB4	R9101	C-CARBON R	RN72K1J-223JE	1	435032234R1	<WT, WO, WF>
PCB4	R9102	C-CARBON R	RN72K1J-122JE	1	435031224R1	<WT, WO, WF>
PCB4	R9103	C-CARBON R	RN72K1J-472JE	1	435034724R1	<WT, WO, WF>
PCB4	R9104	C-CARBON R	RN72K1J-182JE	1	435031824R1	<WT, WO, WF>
PCB4	R9105	C-CARBON R	RN72K1J-331JE	1	435033314R1	<WT, WO, WF>
PCB4	R9111	C-CARBON R	RN72K1J-223JE	1	435032234R1	<WT, WO, WF>
PCB4	R9112	C-CARBON R	RN72K1J-122JE	1	435031224R1	<WT, WO, WF>
PCB4	R9113	C-CARBON R	RN72K1J-472JE	1	435034724R1	<WT, WO, WF>
PCB4	R9114	C-CARBON R	RN72K1J-182JE	1	435031824R1	<WT, WO, WF>
PCB4	R9115	C-CARBON R	RN72K1J-331JE	1	435033314R1	<WT, WO, WF>
PCB4	RL6600	RELAY	NRL-2P5A-DC24-129	1	25065563A	
PCB4	RL6600 or	RELAY	NRL-2P5A-DC24-158	(1)	25065618	
PCB4	RL6602	RELAY	NRL-2P5A-DC24-129	1	25065563A	
PCB4	RL6602 or	RELAY	NRL-2P5A-DC24-158	(1)	25065618	
PCB4	RL6603	RELAY	NRL-2P5A-DC24-129	1	25065563A	
PCB4	RL6603 or	RELAY	NRL-2P5A-DC24-158	(1)	25065618	
PCB4	RL6605	RELAY	NRL-2P5A-DC24-129	1	25065563A	
PCB4	RL6605 or	RELAY	NRL-2P5A-DC24-158	(1)	25065618	
PCB4	RL6607	RELAY	NRL-2P5A-DC24-129	1	25065563A	
PCB4	RL6607 or	RELAY	NRL-2P5A-DC24-158	(1)	25065618	
PCB4	P2004B	SOCKET	NSCT-15P2195	1	25052298	
PCB4	P2005B	SOCKET	NSCT-15P2195	1	25052298	
PCB4	P3001	PIN JACK	NPJ-10PDBY621	1	25045842	
PCB4	P3001 or	PIN JACK	NPJ-10PDBY478	(1)	25045681	

PCB4	P3002	PIN JACK	NPJ-5PDBY622	1	25045843	
PCB4	P3002 or	PIN JACK	NPJ-5PDBY479	(1)	25045682	
PCB4	P3003	PIN JACK	NPJ-10PDBY621	1	25045842	
PCB4	P3003 or	PIN JACK	NPJ-10PDBY478	(1)	25045681	
PCB4	P3005	PIN JACK	NPJ-9PDGLRGLRGLR563	1	25045781	
PCB4	P3005 or	PIN JACK	NPJ-9PDGLR519	(1)	25045731	
PCB4	P6601	TRM	NTM-2PDMCR400	1	25060472	
PCB4	P6602	TRM	NTM-4PDMNRR420	1	25060492	
PCB4	P6603	TRM	NTM-4PDMNRR420	1	25060492	
PCB4	P6604	TRM	NTM-4PDMNRR420	1	25060492	
PCB4	P9110	PLUG	NPLG-2P83	1	25055099	<WT, WO, WF>
PCB4	P9111	PLUG	NPLG-2P83	1	25055099	<WT, WO, WF>
PCB4	E9001	TRM-423(SCREW)	NEJITANSI ST3	1	25060495	
PCB4	JL6600B	SOCKET	NSCT-7P99	1	25050271	
PCB4	JL6603B	SOCKET	NSCT-9P101	1	25050273	
PCB4	JL6604B	SOCKET	NSCT-5P97	1	25050269	
PCB4	JL6605B	SOCKET	NSCT-5P97	1	25050269	
PCB4	JL8001	JUMPER LEAD	JL5 200B(6-6)	1	---	NSP
PCB4	JL8001A	WIRE HOL	NSCT-5P876	1	25051089	
PCB4	JL901B	WIRE TRAP	NPLG-5P588	1	25055626	
PCB4	JL9101B	SOCKET	NSCT-7P99	1	25050271	
PCB4	JL9102	JUMPER LEAD	JL7 150 UL2651#24	1	---	NSP
PCB4	JL9102A	WIRE HOL	NSCT-7P878	1	25051091	
PCB4	JL9102B	WIRE HOL	NSCT-7P878	1	25051091	
PCB5	U42	DSP PC BOARD (NAHDM-9475-1A)				
PCB5						
PCB5	CIRCUIT NO.	PART NAME	DESCRIPTION	Q'TY	PART NO. (SN)	REMARKS
PCB5	Q201	IC	D788E001BRFP266	1	22242502R3	
PCB5	Q202	IC	TC7WU04FU(TE12L_F)	1	22240935R2	
PCB5	Q281	IC	M12L64164A-7TG	1	22242441R3	
PCB5	Q281 or	IC	K4S641632K-UC60	(1)	22242462R2	
PCB5	Q282	IC (DSP ROM)	ES29LV160ET-70TG	1	222W0069R3	

PCB5	Q282 or	IC (DSP ROM)	S29AL016D70TFI010	(1)	222W0063R3
PCB5	Q8001	IC	TMDS341APFCR	1	22242491R2
PCB5	Q8002	IC	TA48033AF(TE16L_NQ)	1	22278033DR2TO
PCB5	Q8002 or	IC	BA33BC0FP	(1)	22278033DR2RH
PCB5	Q8002 or	IC	NJM2391DL1-33	(1)	22278033DR2JR
PCB5	Q8003	IC	S-812C50BUC-C5ET2G	1	22242407R2
PCB5	Q8004	TR	DTC114TKA	1	2216670R2
PCB5	Q8005	TR	DTC114TKA	1	2216670R2
PCB5	Q8006	IC	SI8008TM	1	22242323R2
PCB5	Q8007	IC	BD7820	1	22242300R2
PCB5	Q8008	IC	TA48033AF(TE16L_NQ)	1	22278033DR2TO
PCB5	Q8008 or	IC	BA33BC0FP	(1)	22278033DR2RH
PCB5	Q8008 or	IC	NJM2391DL1-33	(1)	22278033DR2JR
PCB5	Q8009	TR	DTC114TKA	1	2216670R2
PCB5	D8001	C-DIODE	CRS09(TE85L_Q)	1	223274R2
PCB5	D8001 or	DIODE	RB070M-30	(1)	22380361R2
PCB5	D8002	C-DIODE	KDS4148U	1	223283R2
PCB5	D8002 or	C-DIODE	1SS352	(1)	223234R2
PCB5	D8002 or	C-DIODE	MA2J111	(1)	223279R2
PCB5	D8003	C-DIODE	1SR154-400	1	22380284R2
PCB5	D8004	C-DIODE	KDS4148U	1	223283R2
PCB5	D8004 or	C-DIODE	1SS352	(1)	223234R2
PCB5	D8004 or	C-DIODE	MA2J111	(1)	223279R2
PCB5	D8006	C-DIODE	KDS4148U	1	223283R2
PCB5	D8006 or	C-DIODE	1SS352	(1)	223234R2
PCB5	D8006 or	C-DIODE	MA2J111	(1)	223279R2
PCB5	D8007	C-DIODE	KDS4148U	1	223283R2
PCB5	D8007 or	C-DIODE	1SS352	(1)	223234R2
PCB5	D8007 or	C-DIODE	MA2J111	(1)	223279R2
PCB5	X202	CRYSTAL	HC-49USSMD17.734MHz	1	3010442R2
PCB5	X202A	IB CUSHION	W15*3t TAPE	1	28141585
PCB5	L201	CHOKE COIL	BLM21PG221SN1	1	230949R2
PCB5	L202	CHOKE COIL	BLM21PG221SN1	1	230949R2

PCB5	L203	C-CARBON R	RN72K1J-000JE	1	435030004R1
PCB5	L204	EMIFIL	BK1608LM182-T	1	230958R1
PCB5	L205	CHOKE COIL	LBC2518T470M	1	231364M470R2
PCB5	L241	EMIFIL	ACF451832-333-T	1	230978R2
PCB5	L282	CHOKE COIL	BLM21PG221SN1	1	230949R2
PCB5	L312	EMIFIL	BK1608LM182-T	1	230958R1
PCB5	L8001	C-R NET	MNR12E0APJ000	1	43464900002R2
PCB5	L8002	C-R NET	MNR12E0APJ000	1	43464900002R2
PCB5	L8003	C-R NET	MNR12E0APJ000	1	43464900002R2
PCB5	L8004	C-R NET	MNR12E0APJ000	1	43464900002R2
PCB5	L8007	CHOKE COIL	BLM21PG221SN1	1	230949R2
PCB5	L8008	CHOKE COIL	LBC2518T4R7M	1	231364M047R2
PCB5	L8014	CHOKE COIL	NCH-2541	1	231363K470
PCB5	L8015	CHOKE COIL	BLM21PG221SN1	1	230949R2
PCB5	C201	C-CERA C	CK725F1E-104Z1	1	332161040R1
PCB5	C202	C-CERA C	CK725F1E-104Z1	1	332161040R1
PCB5	C203	C-CERA C	CK725F1E-104Z1	1	332161040R1
PCB5	C204	C-CERA C	CK725F1E-104Z1	1	332161040R1
PCB5	C205	C-CERA C	CK725F1E-104Z1	1	332161040R1
PCB5	C206	C-CERA C	CK725F1E-104Z1	1	332161040R1
PCB5	C207	C-CERA C	CK725F1E-104Z1	1	332161040R1
PCB5	C208	C-CERA C	CK725F1E-104Z1	1	332161040R1
PCB5	C209	C-CERA C	CK725F1E-104Z1	1	332161040R1
PCB5	C211	C-CERA C	CK725F1E-104Z1	1	332161040R1
PCB5	C212	C-CERA C	CK725F1E-104Z1	1	332161040R1
PCB5	C213	C-CERA C	CK725F1E-104Z1	1	332161040R1
PCB5	C214	C-CERA C	CK725F1E-104Z1	1	332161040R1
PCB5	C215	C-CERA C	CK725F1E-104Z1	1	332161040R1
PCB5	C216	C-CERA C	CK725F1E-104Z1	1	332161040R1
PCB5	C217	C-CERA C	CK725F1E-104Z1	1	332161040R1
PCB5	C218	CHIP ELECT C	CEWX4V-220M	1	3981G2217R2
PCB5	C219	C-CERA C	CK725F1E-104Z1	1	332161040R1
PCB5	C221	C-CERA C	CK725F1E-104Z1	1	332161040R1

PCB5	C222	C-CERA C	CK725F1E-104Z1	1	332161040R1
PCB5	C223	C-CERA C	CK725F1E-104Z1	1	332161040R1
PCB5	C224	C-CERA C	CK725F1E-104Z1	1	332161040R1
PCB5	C225	C-CERA C	CK725F1E-104Z1	1	332161040R1
PCB5	C226	C-CERA C	CK725F1E-104Z1	1	332161040R1
PCB5	C227	C-CERA C	CK725F1E-104Z1	1	332161040R1
PCB5	C228	C-CERA C	CK725F1E-104Z1	1	332161040R1
PCB5	C229	C-CERA C	CK725F1E-104Z1	1	332161040R1
PCB5	C230	C-CERA C	CK725F1E-104Z1	1	332161040R1
PCB5	C231	C-CERA C	CK725F1E-104Z1	1	332161040R1
PCB5	C232	C-CERA C	CK725F1E-104Z1	1	332161040R1
PCB5	C233	C-CERA C	CK725F1E-104Z1	1	332161040R1
PCB5	C234	C-CERA C	CK725F1E-104Z1	1	332161040R1
PCB5	C235	CHIP ELECT C	CEWX4V-220M	1	3981G2217R2
PCB5	C236	C-CERA C	CK725F1E-104Z1	1	332161040R1
PCB5	C237	CHIP ELECT C	CEWX4V-100M	1	3981G1017R2
PCB5	C238	C-CERA C	CC725CH1H-060D1	1	342100602R1
PCB5	C239	C-CERA C	CC725CH1H-060D1	1	342100602R1
PCB5	C241	CHIP ELECT C	CEWX4V-220M	1	3981G2217R2
PCB5	C242	C-CERA C	CK725F1E-104Z1	1	332161040R1
PCB5	C243	C-CERA C	CC725CH1H-101J1	1	342101014R1
PCB5	C245	C-CERA C	CK725F1E-104Z1	1	332161040R1
PCB5	C246	C-CERA C	CK725F1E-104Z1	1	332161040R1
PCB5	C281	CHIP ELECT C	CEWX4V-220M	1	3981G2217R2
PCB5	C282	C-CERA C	CK725F1E-104Z1	1	332161040R1
PCB5	C283	C-CERA C	CC725CH1H-102J1	1	342101024R1
PCB5	C284	CHIP ELECT C	CEWX4V-220M	1	3981G2217R2
PCB5	C285	C-CERA C	CK725F1E-104Z1	1	332161040R1
PCB5	C286	C-CERA C	CK725F1E-104Z1	1	332161040R1
PCB5	C287	C-CERA C	CK725F1E-104Z1	1	332161040R1
PCB5	C288	C-CERA C	CK725F1E-104Z1	1	332161040R1
PCB5	C289	C-CERA C	CK725F1E-104Z1	1	332161040R1
PCB5	C290	C-CERA C	CK725F1E-104Z1	1	332161040R1

PCB5	C291	C-CERA C	CK725F1E-104Z1	1	332161040R1
PCB5	C295	C-CERA C	CK725F1E-104Z1	1	332161040R1
PCB5	C8001	C-CERA C	CK725B1H-103K1	1	332101035R1
PCB5	C8002	C-CERA C	CK725B1H-103K1	1	332101035R1
PCB5	C8003	C-CERA C	CK725B1H-103K1	1	332101035R1
PCB5	C8004	C-CERA C	CK725B1H-103K1	1	332101035R1
PCB5	C8005	C-CERA C	CK725B1H-103K1	1	332101035R1
PCB5	C8006	C-CERA C	CK725B1H-103K1	1	332101035R1
PCB5	C8007	C-CERA C	CK725B1H-103K1	1	332101035R1
PCB5	C8008	C-CERA C	CK725B1H-103K1	1	332101035R1
PCB5	C8009	C-CERA C	CK725B1H-103K1	1	332101035R1
PCB5	C8010	C-CERA C	CK725B1H-103K1	1	332101035R1
PCB5	C8011	C-CERA C	CK725B1H-103K1	1	332101035R1
PCB5	C8012	C-CERA C	CK725B1H-103K1	1	332101035R1
PCB5	C8013	C-CERA C	CK725F1E-104Z1	1	332161040R1
PCB5	C8014	C-CERA C	CK725F1E-104Z1	1	332161040R1
PCB5	C8015	CHIP ELECT C	CEWX4V-220M	1	3981G2217R2
PCB5	C8016	CHIP ELECT C	CEWX16V-100M	1	398141017R2
PCB5	C8017	C-CERA C	CK725F1E-104Z1	1	332161040R1
PCB5	C8018	CHIP ELECT C	CEWX16V-22M	1	398142207R2
PCB5	C8019	C-CERA C	CK725B1H-103K1	1	332101035R1
PCB5	C8020	C-CERA C	CK725B1H-103K1	1	332101035R1
PCB5	C8021	C-CERA C	CK725B1H-103K1	1	332101035R1
PCB5	C8022	C-CERA C	CK725F1E-104Z1	1	332161040R1
PCB5	C8066	CHIP ELECT C	CEWX4V-100M	1	3981G1017R2
PCB5	C8067	CHIP ELECT C	CEWX16V-10M	1	398141007R2
PCB5	C8068	C-CERA C	CK725F1E-104Z1	1	332161040R1
PCB5	C8071	C-CERA C	CK725F1E-104Z1	1	332161040R1
PCB5	C8072	CHIP ELECT C	CEWX4V-100M	1	3981G1017R2
PCB5	C8073	CHIP ELECT C	CEWX16V-10M	1	398141007R2
PCB5	C8074	C-CERA C	CK725F1E-104Z1	1	332161040R1
PCB5	C8075	CD C	UCD1A471MNL1GS	1	396634717R2
PCB5	C8076	CD C	UCD1E221MNL1GS	1	396652217R2

PCB5	C8077	C-CERA C	CK725B1H-223K1	1	332102235R1
PCB5	C8078	C-CERA C	CK725F1E-104Z1	1	332161040R1
PCB5	C8198	CD C	UCD1E221MNL1GS	1	396652217R2
PCB5	C8199	CD C	UCD1E221MNL1GS	1	396652217R2
PCB5	R200	C-CARBON R	RN72K1J-221JE	1	435032214R1
PCB5	R201	C-CARBON R	RN72K1J-103JE	1	435031034R1
PCB5	R202	C-CARBON R	RN72K1J-103JE	1	435031034R1
PCB5	R203	C-CARBON R	RN72K1J-103JE	1	435031034R1
PCB5	R204	C-CARBON R	RN72K1J-103JE	1	435031034R1
PCB5	R205	C-CARBON R	RN72K1J-103JE	1	435031034R1
PCB5	R206	C-CARBON R	RN72K1J-221JE	1	435032214R1
PCB5	R207	C-CARBON R	RN72K1J-221JE	1	435032214R1
PCB5	R208	C-CARBON R	RN72K1J-103JE	1	435031034R1
PCB5	R209	C-CARBON R	RN72K1J-470JE	1	435034704R1
PCB5	R221	C-CARBON R	RN72K1J-750JE	1	435037504R1
PCB5	R250	C-CARBON R	RN72K1J-221JE	1	435032214R1
PCB5	R251	C-CARBON R	RN72K1J-221JE	1	435032214R1
PCB5	R252	C-CARBON R	RN72K1J-331JE	1	435033314R1
PCB5	R253	C-CARBON R	RN72K1J-470JE	1	435034704R1
PCB5	R254	C-CARBON R	RN72K1J-470JE	1	435034704R1
PCB5	R255	C-CARBON R	RN72K1J-470JE	1	435034704R1
PCB5	R256	C-CARBON R	RN72K1J-470JE	1	435034704R1
PCB5	R257	C-CARBON R	RN72K1J-470JE	1	435034704R1
PCB5	R258	C-CARBON R	RN72K1J-103JE	1	435031034R1
PCB5	R259	C-CARBON R	RN72K1J-331JE	1	435033314R1
PCB5	R260	C-CARBON R	RN72K1J-470JE	1	435034704R1
PCB5	R261	C-CARBON R	RN72K1J-470JE	1	435034704R1
PCB5	R262	C-CARBON R	RN72K1J-331JE	1	435033314R1
PCB5	R263	C-CARBON R	RN72K1J-331JE	1	435033314R1
PCB5	R264	C-CARBON R	RN72K1J-331JE	1	435033314R1
PCB5	R265	C-CARBON R	RN72K1J-331JE	1	435033314R1
PCB5	R266	C-CARBON R	RN72K1J-331JE	1	435033314R1
PCB5	R267	C-CARBON R	RN72K1J-470JE	1	435034704R1

PCB5	R268	C-CARBON R	RN72K1J-221JE	1	435032214R1
PCB5	R269	C-CARBON R	RN72K1J-470JE	1	435034704R1
PCB5	R270	C-CARBON R	RN72K1J-000JE	1	435030004R1
PCB5	R272	C-CARBON R	RN72K1J-105JE	1	435031054R1
PCB5	R273	C-CARBON R	RN72K1J-103JE	1	435031034R1
PCB5	R280	C-CARBON R	RN72K1J-000JE	1	435030004R1
PCB5	R281	C-CARBON R	RN72K1J-103JE	1	435031034R1
PCB5	R282	C-CARBON R	RN72K1J-103JE	1	435031034R1
PCB5	R283	C-CARBON R	RN72K1J-103JE	1	435031034R1
PCB5	R284	C-CARBON R	RN72K1J-103JE	1	435031034R1
PCB5	R285	C-CARBON R	RN72K1J-103JE	1	435031034R1
PCB5	R286	C-CARBON R	RN72K1J-331JE	1	435033314R1
PCB5	R287	C-CARBON R	RN72K1J-103JE	1	435031034R1
PCB5	R288	C-CARBON R	RN72K1J-103JE	1	435031034R1
PCB5	R289	C-CARBON R	RN72K1J-472JE	1	435034724R1
PCB5	R290	C-CARBON R	RN72K1J-472JE	1	435034724R1
PCB5	R8001	C-CARBON R	RN72K1J-102JE	1	435031024R1
PCB5	R8002	C-CARBON R	RN72K1J-473JE	1	435034734R1
PCB5	R8003	C-CARBON R	RN72K1J-473JE	1	435034734R1
PCB5	R8004	C-CARBON R	RN72K1J-273JE	1	435032734R1
PCB5	R8007	C-CARBON R	RN72K1J-102JE	1	435031024R1
PCB5	R8008	C-CARBON R	RN72K1J-473JE	1	435034734R1
PCB5	R8009	C-CARBON R	RN72K1J-473JE	1	435034734R1
PCB5	R8010	C-CARBON R	RN72K1J-562JE	1	435035624R1
PCB5	R8013	C-CARBON R	RN72K1J-102JE	1	435031024R1
PCB5	R8014	C-CARBON R	RN72K1J-473JE	1	435034734R1
PCB5	R8015	C-CARBON R	RN72K1J-473JE	1	435034734R1
PCB5	R8016	C-CARBON R	RN72K1J-103JE	1	435031034R1
PCB5	R8019	C-CARBON R	RN72K1J-103JE	1	435031034R1
PCB5	R8020	C-CARBON R	RN72K1J-182JE	1	435031824R1
PCB5	R8021	C-CARBON R	RN72K1J-000JE	1	435030004R1
PCB5	R8022	C-CARBON R	RN72K1J-473JE	1	435034734R1
PCB5	R8023	C-CARBON R	RN72K1J-182JE	1	435031824R1

PCB5	R8024	C-CARBON R	RN72K1J-182JE	1	435031824R1	
PCB5	R8027	C-CARBON R	RN72K1J-000JE	1	435030004R1	
PCB5	R8028	C-CARBON R	RN72K2E-470JE	1	435224704R1	
PCB5	R8029	C-CARBON R	RN72K1J-332JE	1	435033324R1	
PCB5	R8030	C-CARBON R	RN72K1J-332JE	1	435033324R1	
PCB5	R8039	C-CARBON R	RN72K1J-332JE	1	435033324R1	
PCB5	R8931	C-CARBON R	RN72K1J-333JE	1	435033334R1	
PCB5	R8932	C-CARBON R	RN72K1J-152JE	1	435031524R1	
PCB5	R8933	C-CARBON R	RN72K1J-152JE	1	435031524R1	
PCB5	R8934	C-CARBON R	RN72K1J-332JE	1	435033324R1	
PCB5	R8935	C-CARBON R	RN72K1J-333JE	1	435033334R1	
PCB5	R8936	C-CARBON R	RN72K1J-000JE	1	435030004R1	
PCB5	R8937	C-CARBON R	RN72K1J-393JE	1	435033934R1	
PCB5	R8938	C-CARBON R	RN72K1J-393JE	1	435033934R1	
PCB5	P704B	SOCKET	IMSA-9111S-24L	1	25053259	
PCB5	P8001	SOCKET	YKF45-7037V	1	25053253R3	
PCB5	P8002	SOCKET	YKF45-7037V	1	25053253R3	
PCB5	P8003	SOCKET	YKF45-7037V	1	25053253R3	
PCB5	P8004	SOCKET	YKF45-7037V	1	25053253R3	
PCB5	JL801B	WIRE TRAP	NPLG-5P588	1	25055626	

TX-SR506

PACKING PROCEDURE PARTS LIST

	REF. NO.	PART NAME	DESCRIPTION	Q'TY	PART NO. (SN)	REMARKS
PV	A601	PAD	L & R 1set	1	29092351A	
PV	A603	POLY BAG	w850 x d650	1	29100245	
PV	A604	POLY BAG	D250 x d300 x W300 (t0.04)	1	29100256A	
PV	A605	TAPE	(SEROHAN)NITTO NO.29	(1)	29110149	
PV	A606	PP TAPE	W50 SBT-70	(1)	29110200	
PV	A607	SHEET	---	1	29095906	
PV	A608	POLY BAG	w250 x d350	1	29100250A	<PP, PB>
PV	A608	POLY BAG	w250 x d350	1	29100250A	<GK, GQ, GR>

PV	A608	POLY BAG	w250 x d350	2	29100250A	<WO>
PV	A608	POLY BAG	w250 x d350	1	29100250A	<WT, WF>
PV	A701	CARTON	TX-SR506	1	29054824	
PV	A702	UPC LABEL	TX-SR506(B)MDD	1	29390207	(B) <DD>
PV	A702	UPC LABEL	TX-SR506(B)MDC	1	29390145	(B) <DC>
PV	A702	EAN LABEL	TX-SR506(B)MPP	1	29390153	(B) <PP>
PV	A702	EAN LABEL	TX-SR506(B)MPB	1	29390210	(B) <PB>
PV	A702	EAN LABEL	TX-SR506(B)MWO	1	29390154	(B) <WO>
PV	A702	UPC LABEL	TX-SR506(S)MDD	1	29390146	(S) <DD>
PV	A702	EAN LABEL	TX-SR506(S)MWO	1	29390156	(S) <WO>
PV	A702	EAN LABEL	TX-SR506(S)MPP	1	29390155	(S) <PP>
PV	A702	EAN LABEL	TX-SR506(S)MPB	1	29390211	(S) <PB>
PV	A702	EAN LABEL	TX-SR506(G)MGK	1	29390158	(G) <GK>
PV	A702	EAN LABEL	TX-SR506(G)MGQ	1	29390160	(G) <GQ>
PV	A702	EAN LABEL	TX-SR506(G)MGR	1	29390159	(G) <GR>
PV	A702	EAN LABEL	TX-SR506(G)MWT	1	29390157	(G) <WT>
PV	A702	EAN LABEL	TX-SR506(G)MWF	1	29390397	(G) <WF>
PV	A801	INS MANUAL	En(TX-SR506)	1	29344637	
PV	A802	INS MANUAL	U2FrEs(TX-SR506)	1	29344638	<DC>
PV	A802	INS MANUAL	U2FrEs(TX-SR506)	1	29344638	<PP>
PV	A802	INS MANUAL	U2FrEs(TX-SR506)	1	29344638	<PP>
PV	A803	INS MANUAL	U2ItDe(TX-SR506)	1	29344639	<PP>
PV	A804	INS MANUAL	U2NISv(TX-SR506)	1	29344640	<PP>
PV	A805	INS MANUAL	Ct(TX-SR506)	1	29344642	<GQ, WT, WF>
PV	A806	INS MANUAL	Cs(TX-SR506)	1	29344643	<GR>
PV	A807	INS MANUAL	Ar(TX-SR506)	1	29344644	<WO>
PV	A808	INS MANUAL	En(QSS_TX-SR506)	1	29344645	
PV	A809	INS MANUAL	Cs(QSS_TX-SR506)	1	29344646	<GR>
PV	A810	INS MANUAL	U9(RC707/708/709/710/711)	1	29344636	
PV	A811	INS MANUAL	(QC ImportantSheet)	1	29344267A	<WO>
PV	A812	WRNTY CARD	(ONKYO)	1	29365102A	<DD, DC>
PV	A812	WRNTY CARD	MGQ	1	29365099A	<GQ>
PV	A812	WRNTY CARD	(ONKYO-CH)	1	29365098B	<GR>

PV	A815	INST SHEET	WEEE	1	29355537	<PP, PB>
PV	A816	HANDBILL	(DS-A2X)US	1	29380150	<DD, DC>
PV	A816	HANDBILL	(DS-A2X)EU	1	29380151	<PP, PB>
PV	A817	LABEL	(SPCABLE)	1	29390189	
PV	A821	REMO CON	RC-709M	1	24140709	
PV	A822	BATTERY	R6/AA(UM-3)	2	3010194	
PV	A822 or	BATTERY	R6/AA(UM-3)	(2)	3010054	
PV	A823	ANT COIL	NMA-3057	1	232140	
PV	A824	FM ANT AS	Type W	1	292191	
PV	A825	CV PLUG	CV-K-1	1	25056005	<WT, WO, WF>
PV	A826	CV PLUG	SCP-13A-BLK(UK)	1	25056591	<WO>
PV	A827	MIC	MIC-5001	1	245043	

ONKYO CORPORATION

Sales & Product Planning Div. : 2-1, Nisshin-cho, Neyagawa-shi, OSAKA 572-8540, JAPAN
Tel: 072-831-8023 Fax: 072-831-8124

ONKYO U.S.A. CORPORATION

18 Park Way, Upper Saddle River, N.J. 07458, U.S.A.
Tel: 201-785-2600 Fax: 201-785-2650 <http://www.us.onkyo.com/>

ONKYO EUROPE ELECTRONICS GmbH

Liegnitzerstrasse 6, 82194 Groebenzell, GERMANY
Tel: +49-8142-4401-0 Fax: +49-8142-4401-555 <http://www.eu.onkyo.com/>

ONKYO EUROPE UK Office

Suite 1, Gregories Court, Gregories Road, Beaconsfield, Buckinghamshire, HP9 1HQ
UNITED KINGDOM Tel: +44-(0)1494-681515 Fax: +44(0)-1494-680452

ONKYO CHINA LIMITED

Units 2102-2107, Metroplaza Tower I, 223 Hing Fong Road, Kwai Chung,
N.T., HONG KONG Tel: 852-2429-3118 Fax: 852-2428-9039
<http://www.ch.onkyo.com/>

