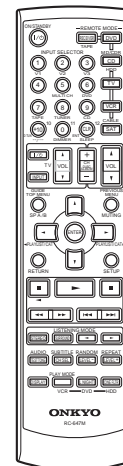
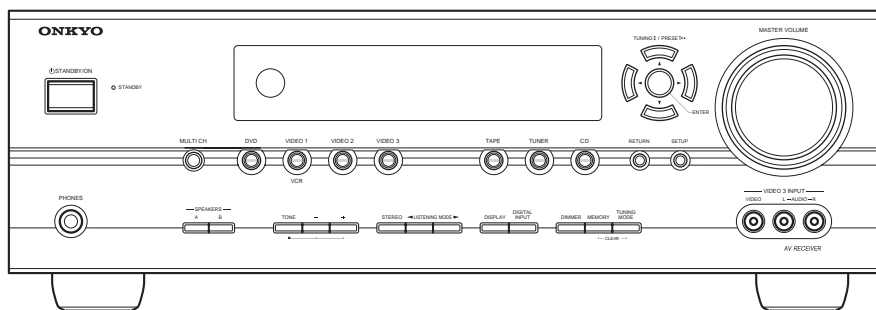


ONKYO SERVICE MANUAL

AV RECEIVER MODEL TX-SR574



RC-647M

Black and Silver models

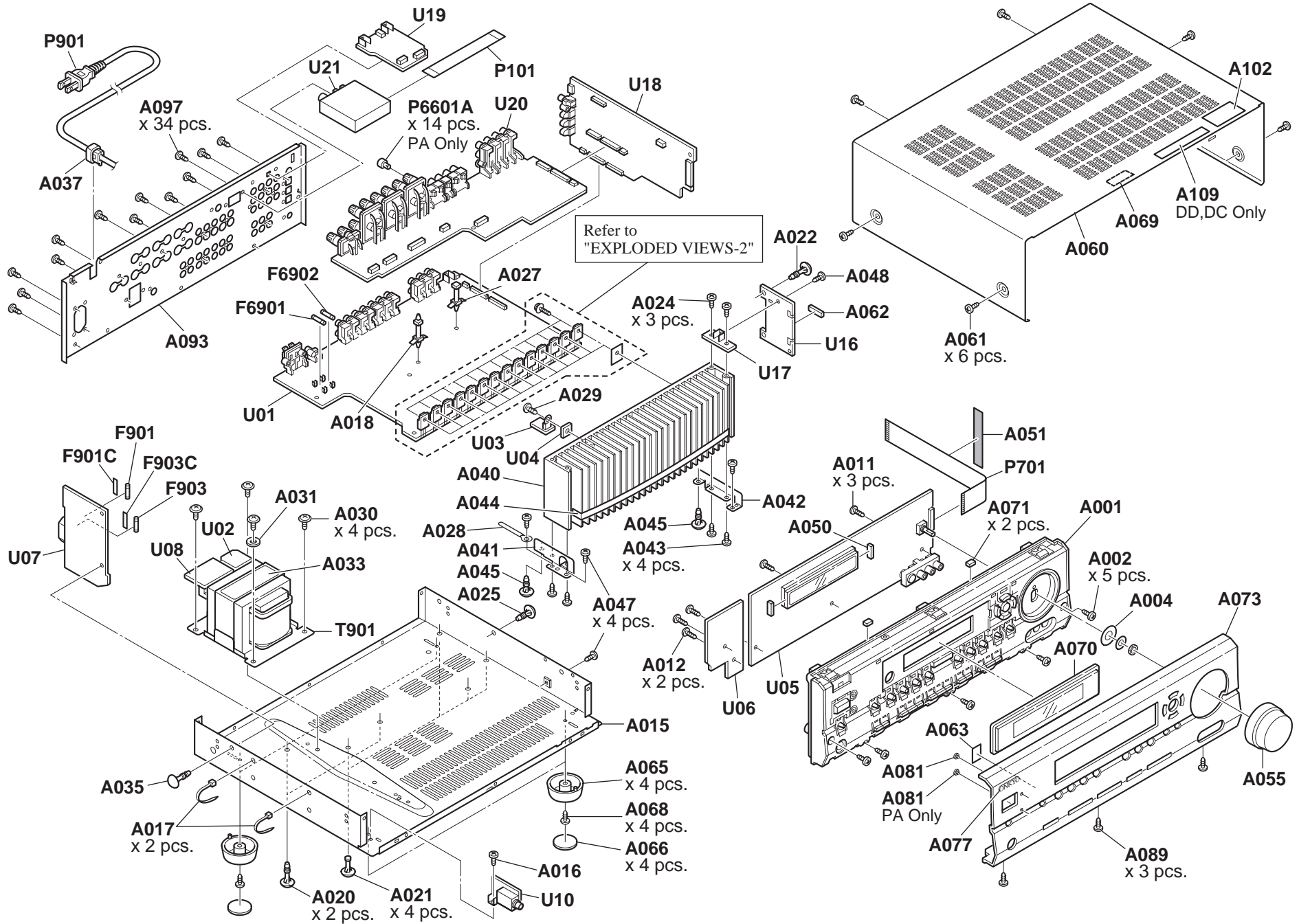
B MDD	120V AC, 60Hz	---	---
B MDC	120V AC, 60Hz	S MDC	120V AC, 60Hz
B MPA	230-240V AC, 50Hz	S MPA	230-240V AC, 50Hz

SAFETY-RELATED COMPONENT WARNING!!

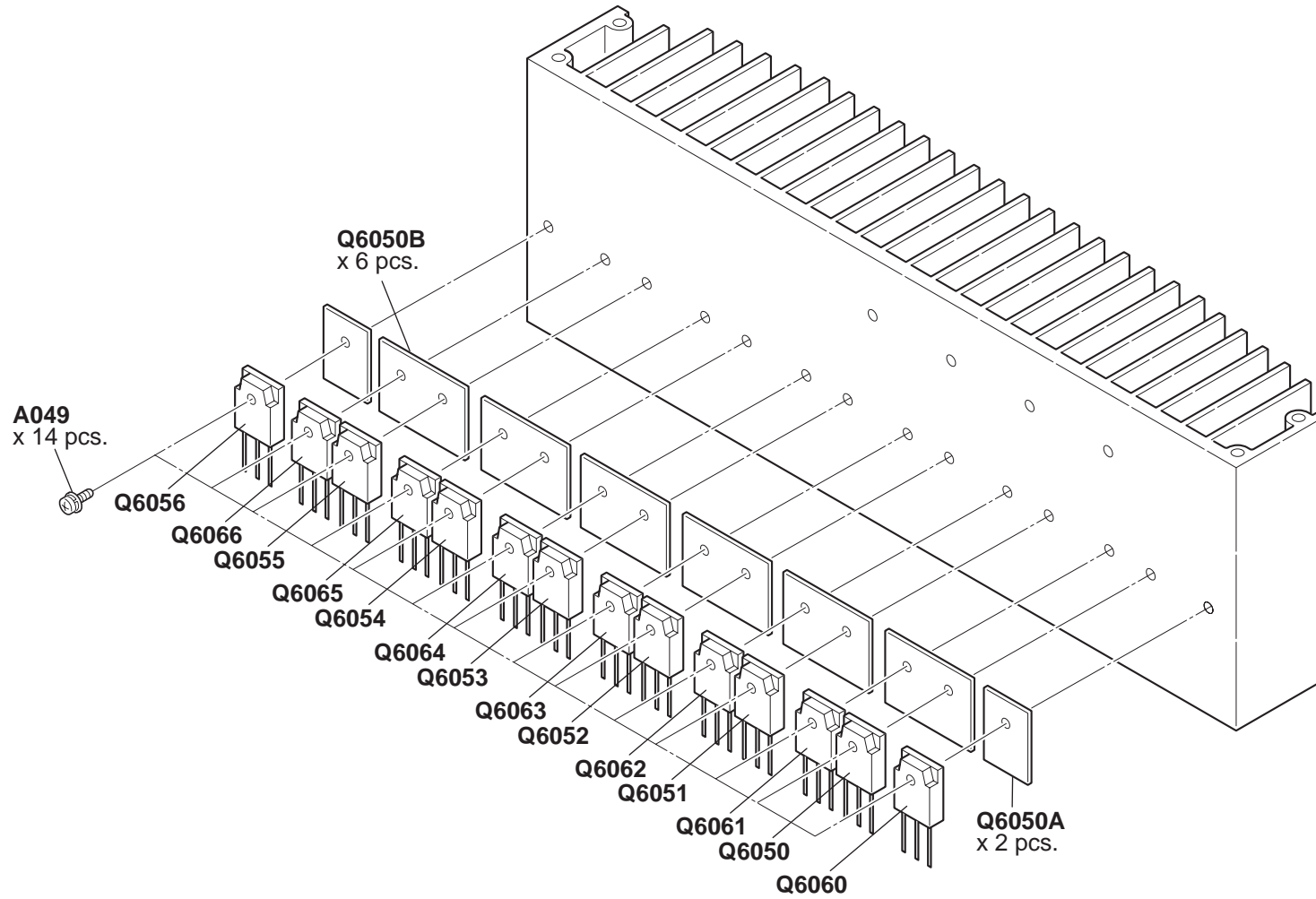
COMPONENTS IDENTIFIED BY MARK \triangle ON THE SCHEMATIC DIAGRAM AND IN THE PARTS LIST ARE CRITICAL FOR RISK OF FIRE AND ELECTRIC SHOCK. REPLACE THESE COMPONENTS WITH ONKYO PARTS WHOSE PART NUMBERS APPEAR AS SHOWN IN THIS MANUAL.

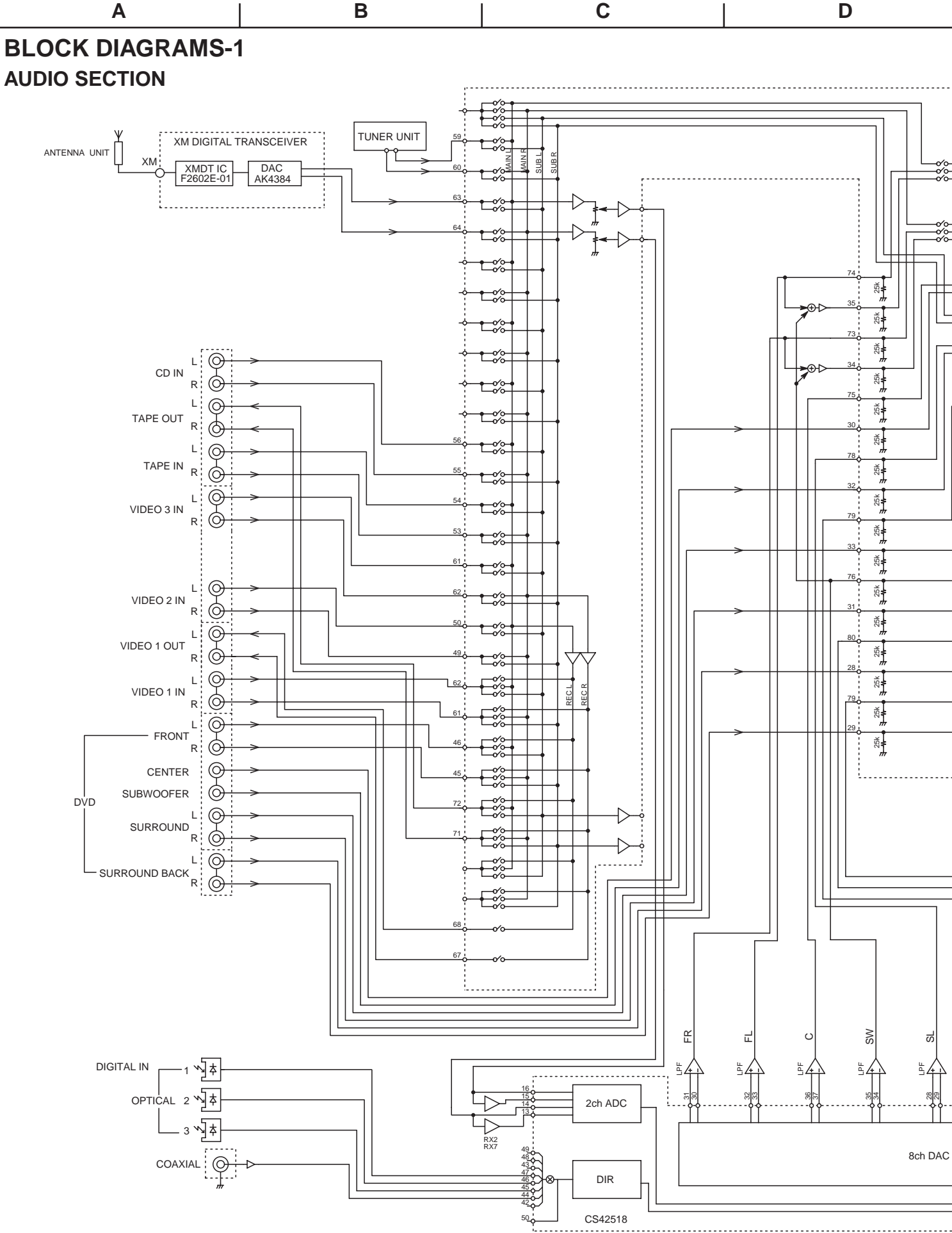
MAKE LEAKAGE-CURRENT OR RESISTANCE MEASUREMENTS TO DETERMINE THAT EXPOSED PARTS ARE ACCEPTABLY INSULATED FROM THE SUPPLY CIRCUIT BEFORE RETURNING THE APPLIANCE TO THE CUSTOMER.

EXPLODED VIEWS-1



EXPLODED VIEWS-2





1

2

3

4

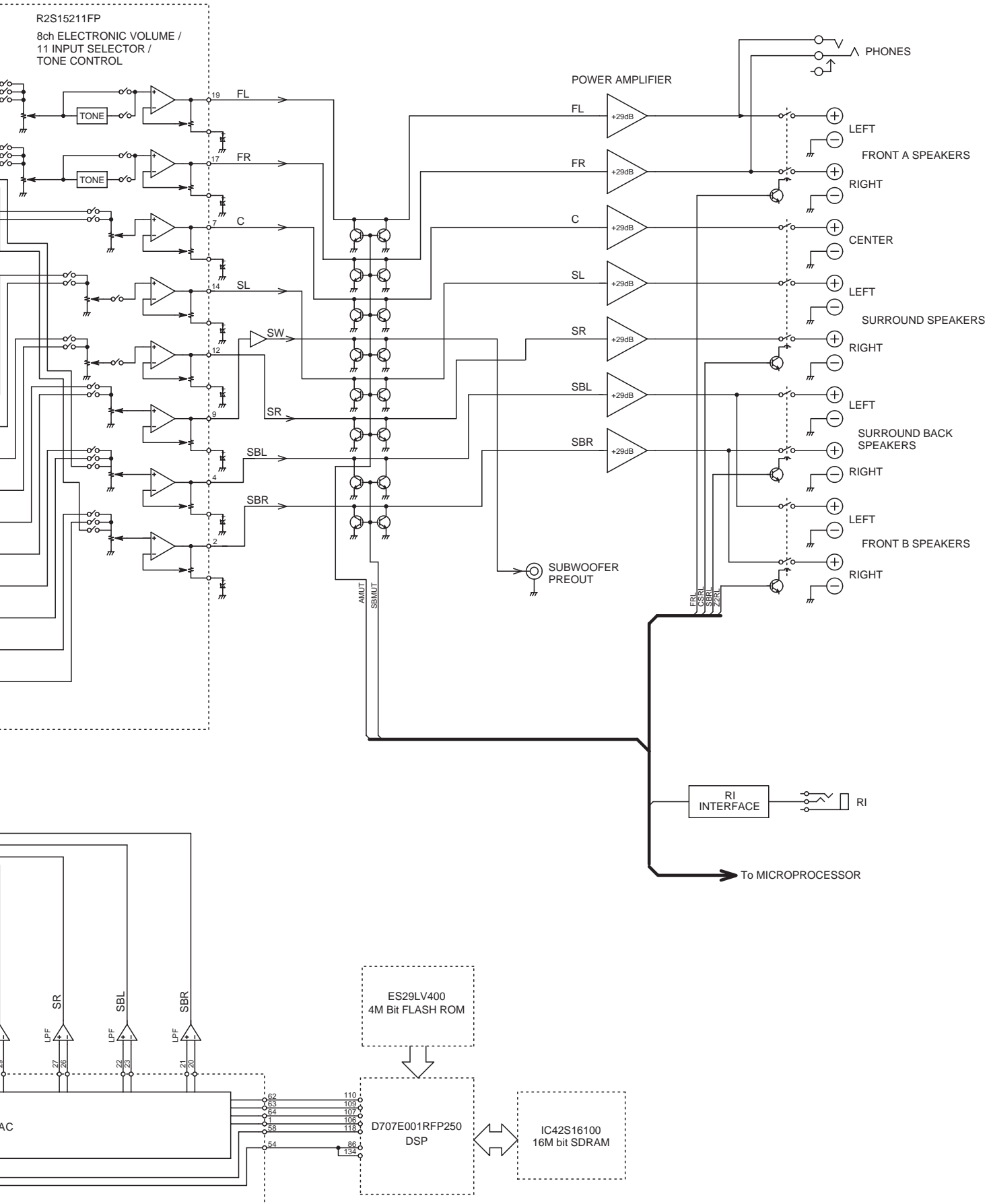
5

E

F

G

H

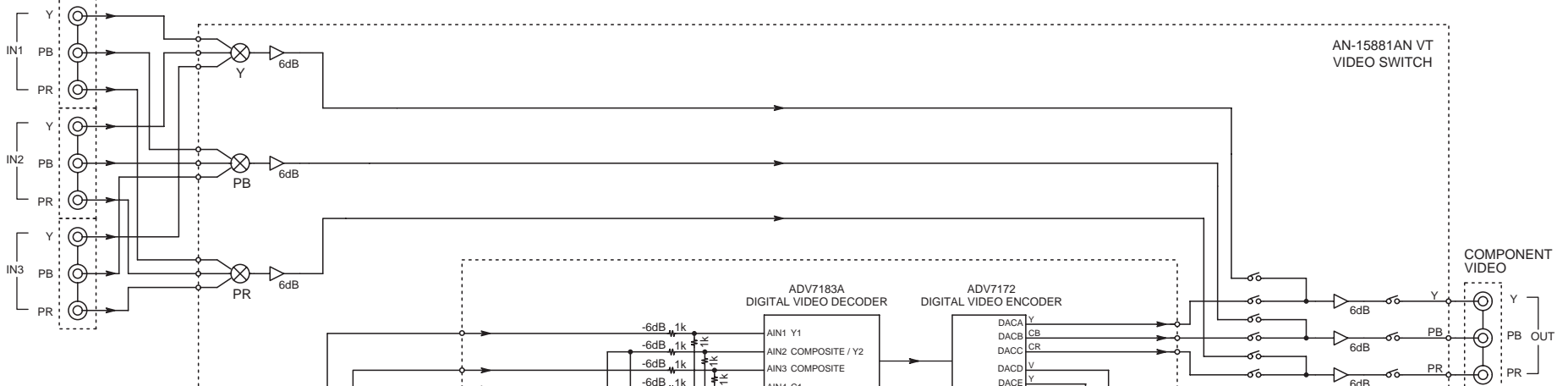


BLOCK DIAGRAMS-2

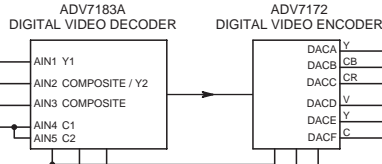
VIDEO SECTION

1

COMPONENT VIDEO

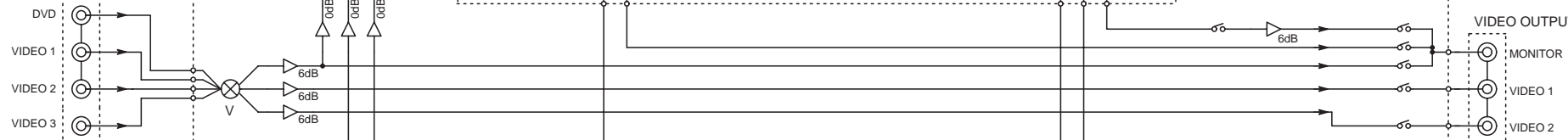


2



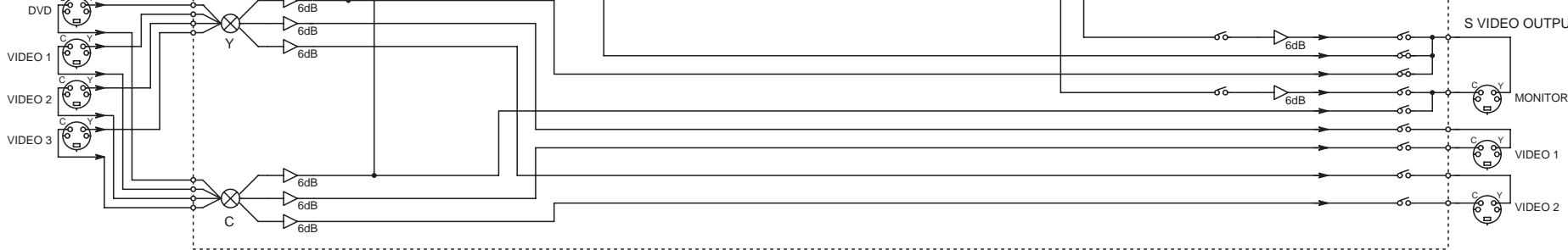
3

VIDEO INPUT



4

S VIDEO INPUT



SCHEMATIC DIAGRAMS-1

AUDIO INPUT SECTION To NADG-8808 (SD-2 : A3)

To NADG-8809 (SD-6 : E1)

To NADG-8808 (SD-2 : A4)

To NADG-8808 (SD-2 : A4)

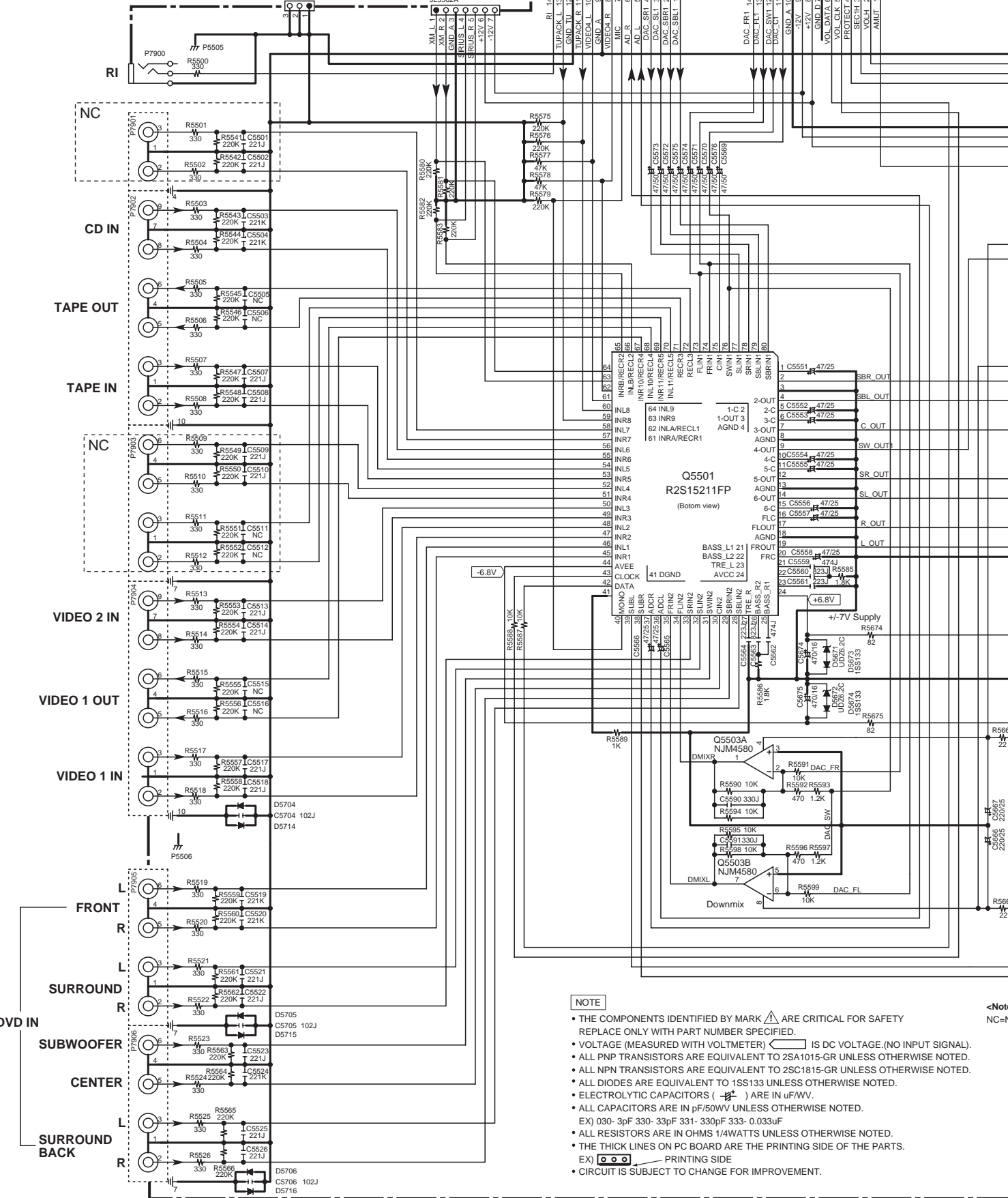
1

2

3

4

5



NOTE

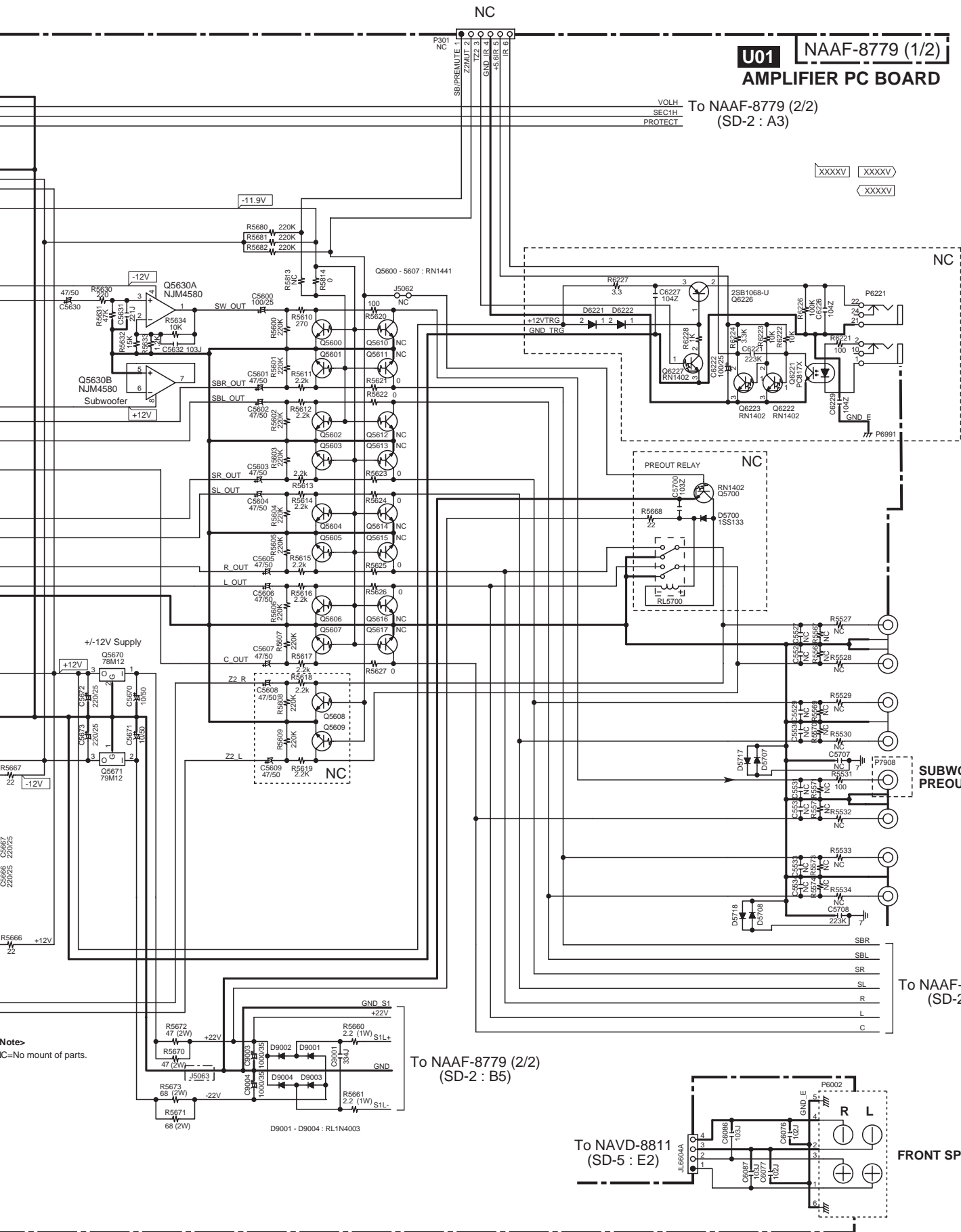
- THE COMPONENTS IDENTIFIED BY MARK Δ ARE CRITICAL FOR SAFETY. REPLACE ONLY WITH PART NUMBER SPECIFIED.
- VOLTAGE (MEASURED WITH VOLTMETER) \square IS DC VOLTAGE. (NO INPUT SIGNAL).
- ALL PNP TRANSISTORS ARE EQUIVALENT TO 2SA1015-GR UNLESS OTHERWISE NOTED.
- ALL NPN TRANSISTORS ARE EQUIVALENT TO 2SC1815-GR UNLESS OTHERWISE NOTED.
- ALL DIODES ARE EQUIVALENT TO 1SS133 UNLESS OTHERWISE NOTED.
- ELECTROLYTIC CAPACITORS ($\text{---} \parallel \text{---}$) ARE IN $\mu\text{F/WV}$.
- ALL CAPACITORS ARE IN pF/50V UNLESS OTHERWISE NOTED.
- EX) 030-3pF 330-33pF 331-330pF 333-0.033 μF
- ALL RESISTORS ARE IN OHMS 1/4WATTS UNLESS OTHERWISE NOTED.
- THE THICK LINES ON PC BOARD ARE THE PRINTING SIDE OF THE PARTS.
- EX) \square \square \square PRINTING SIDE
- CIRCUIT IS SUBJECT TO CHANGE FOR IMPROVEMENT.

<Note>
NC=NC

U01 NAAF-8779 (1/2)
AMPLIFIER PC BOARD

To NAAF-8779 (2/2)
(SD-2 : A3)

XXXXV XXXXV
XXXXV



VOLH
SEC1H
PROTECT

NC

NC

SUBWOOFER
PREOUT

To NAAF-8779 (2/2)
(SD-2 : E4)

To NAAF-8779 (2/2)
(SD-2 : B5)

To NAVD-8811
(SD-5 : E2)

FRONT SPEAKERS B

Note>
NC=No mount of parts.

D9001 - D9004 : RL1N4003

GND S1
+22V

GND E

SCHEMATIC DIAGRAMS-2 POWER AMPLIFIER SECTION

<Notes>
NC = No mount of parts.
SD = SCHEMATIC DIAGRAMS

NAAF-8779 (2/2)

U01
AMPLIFIER PC BOARD

To NAAF-8779 (1/2)
(SD-1 : G1)

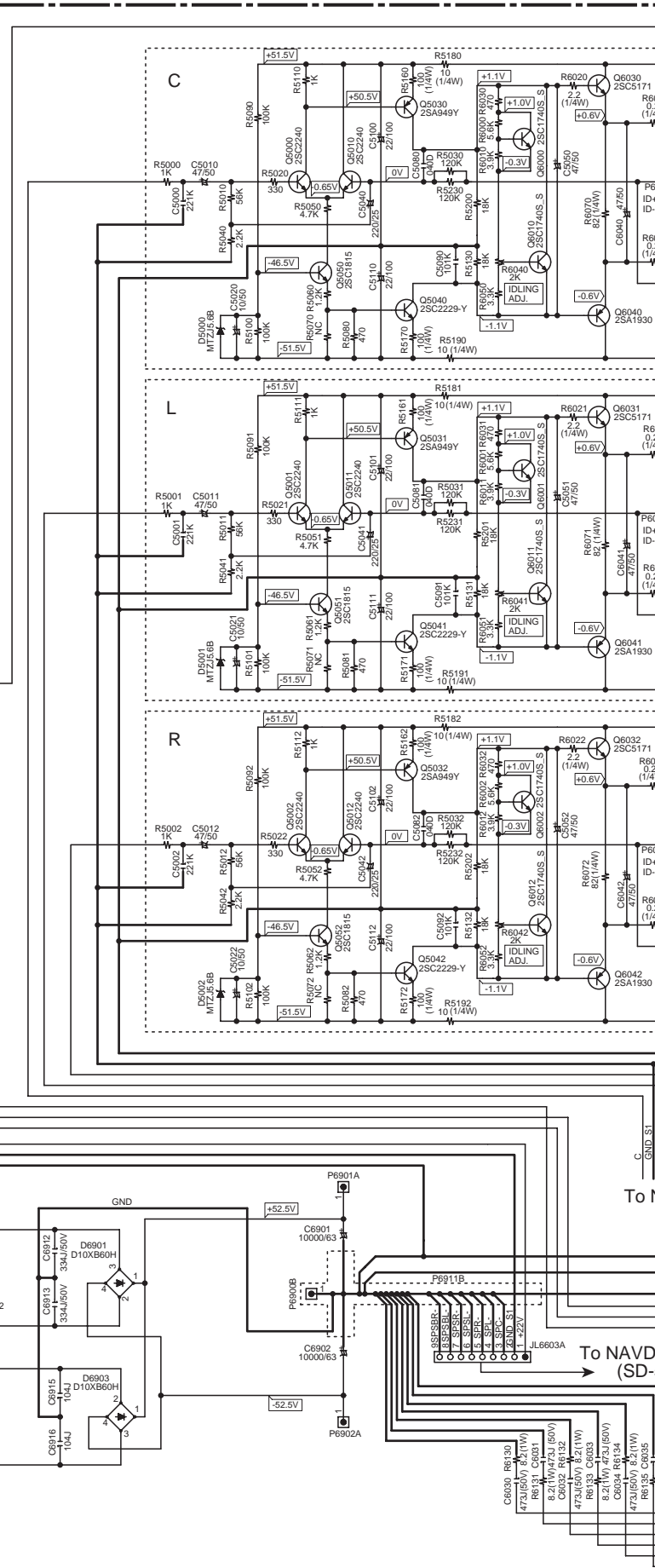
NAETC-8781
U03
THERMAL SENSOR
PC BOARD

To NADG-8808
(SD-3 : D1)

NAPS-8780
U02
TRANS SEC. TERMINAL
PC BOARD

To TRANS. T901
(SD-8 : E3)

To NAAF-8779 (1/2)
(SD-1 : F5)



1

2

3

4

5

To NADG-8808
(SD-3 : D1)

To NAVD
(SD-1 : F5)

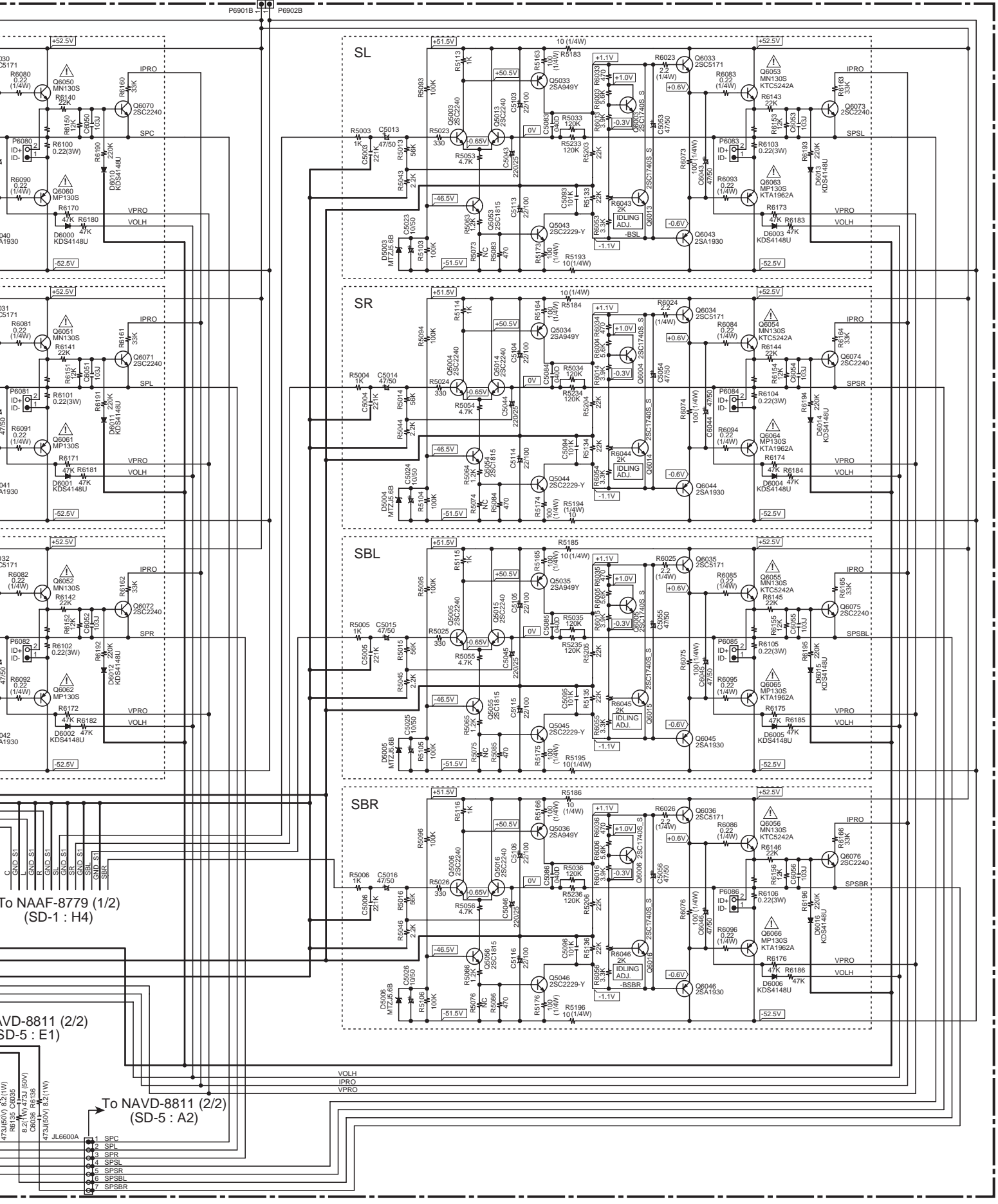
- C8030 100K
- R5130 10K
- R5131 10K
- R5132 10K
- R5133 10K
- R5134 10K
- R5135 10K
- R5136 10K
- R5137 10K
- R5138 10K
- R5139 10K
- R5140 10K
- R5141 10K
- R5142 10K
- R5143 10K
- R5144 10K
- R5145 10K
- R5146 10K
- R5147 10K
- R5148 10K
- R5149 10K
- R5150 10K
- R5151 10K
- R5152 10K
- R5153 10K
- R5154 10K
- R5155 10K
- R5156 10K
- R5157 10K
- R5158 10K
- R5159 10K
- R5160 10K
- R5161 10K
- R5162 10K
- R5163 10K
- R5164 10K
- R5165 10K
- R5166 10K
- R5167 10K
- R5168 10K
- R5169 10K
- R5170 10K
- R5171 10K
- R5172 10K
- R5173 10K
- R5174 10K
- R5175 10K
- R5176 10K
- R5177 10K
- R5178 10K
- R5179 10K
- R5180 10K
- R5181 10K
- R5182 10K
- R5183 10K
- R5184 10K
- R5185 10K
- R5186 10K
- R5187 10K
- R5188 10K
- R5189 10K
- R5190 10K
- R5191 10K
- R5192 10K
- R5193 10K
- R5194 10K
- R5195 10K
- R5196 10K
- R5197 10K
- R5198 10K
- R5199 10K
- R5200 10K
- R5201 10K
- R5202 10K
- R5203 10K
- R5204 10K
- R5205 10K
- R5206 10K
- R5207 10K
- R5208 10K
- R5209 10K
- R5210 10K
- R5211 10K
- R5212 10K
- R5213 10K
- R5214 10K
- R5215 10K
- R5216 10K
- R5217 10K
- R5218 10K
- R5219 10K
- R5220 10K
- R5221 10K
- R5222 10K
- R5223 10K
- R5224 10K
- R5225 10K
- R5226 10K
- R5227 10K
- R5228 10K
- R5229 10K
- R5230 10K
- R5231 10K
- R5232 10K
- R5233 10K
- R5234 10K
- R5235 10K
- R5236 10K
- R5237 10K
- R5238 10K
- R5239 10K
- R5240 10K
- R5241 10K
- R5242 10K
- R5243 10K
- R5244 10K
- R5245 10K
- R5246 10K
- R5247 10K
- R5248 10K
- R5249 10K
- R5250 10K
- R5251 10K
- R5252 10K
- R5253 10K
- R5254 10K
- R5255 10K
- R5256 10K
- R5257 10K
- R5258 10K
- R5259 10K
- R5260 10K
- R5261 10K
- R5262 10K
- R5263 10K
- R5264 10K
- R5265 10K
- R5266 10K
- R5267 10K
- R5268 10K
- R5269 10K
- R5270 10K
- R5271 10K
- R5272 10K
- R5273 10K
- R5274 10K
- R5275 10K
- R5276 10K
- R5277 10K
- R5278 10K
- R5279 10K
- R5280 10K
- R5281 10K
- R5282 10K
- R5283 10K
- R5284 10K
- R5285 10K
- R5286 10K
- R5287 10K
- R5288 10K
- R5289 10K
- R5290 10K
- R5291 10K
- R5292 10K
- R5293 10K
- R5294 10K
- R5295 10K
- R5296 10K
- R5297 10K
- R5298 10K
- R5299 10K
- R5300 10K
- R5301 10K
- R5302 10K
- R5303 10K
- R5304 10K
- R5305 10K
- R5306 10K
- R5307 10K
- R5308 10K
- R5309 10K
- R5310 10K
- R5311 10K
- R5312 10K
- R5313 10K
- R5314 10K
- R5315 10K
- R5316 10K
- R5317 10K
- R5318 10K
- R5319 10K
- R5320 10K
- R5321 10K
- R5322 10K
- R5323 10K
- R5324 10K
- R5325 10K
- R5326 10K
- R5327 10K
- R5328 10K
- R5329 10K
- R5330 10K
- R5331 10K
- R5332 10K
- R5333 10K
- R5334 10K
- R5335 10K
- R5336 10K
- R5337 10K
- R5338 10K
- R5339 10K
- R5340 10K
- R5341 10K
- R5342 10K
- R5343 10K
- R5344 10K
- R5345 10K
- R5346 10K
- R5347 10K
- R5348 10K
- R5349 10K
- R5350 10K
- R5351 10K
- R5352 10K
- R5353 10K
- R5354 10K
- R5355 10K
- R5356 10K
- R5357 10K
- R5358 10K
- R5359 10K
- R5360 10K
- R5361 10K
- R5362 10K
- R5363 10K
- R5364 10K
- R5365 10K
- R5366 10K
- R5367 10K
- R5368 10K
- R5369 10K
- R5370 10K
- R5371 10K
- R5372 10K
- R5373 10K
- R5374 10K
- R5375 10K
- R5376 10K
- R5377 10K
- R5378 10K
- R5379 10K
- R5380 10K
- R5381 10K
- R5382 10K
- R5383 10K
- R5384 10K
- R5385 10K
- R5386 10K
- R5387 10K
- R5388 10K
- R5389 10K
- R5390 10K
- R5391 10K
- R5392 10K
- R5393 10K
- R5394 10K
- R5395 10K
- R5396 10K
- R5397 10K
- R5398 10K
- R5399 10K
- R5400 10K
- R5401 10K
- R5402 10K
- R5403 10K
- R5404 10K
- R5405 10K
- R5406 10K
- R5407 10K
- R5408 10K
- R5409 10K
- R5410 10K
- R5411 10K
- R5412 10K
- R5413 10K
- R5414 10K
- R5415 10K
- R5416 10K
- R5417 10K
- R5418 10K
- R5419 10K
- R5420 10K
- R5421 10K
- R5422 10K
- R5423 10K
- R5424 10K
- R5425 10K
- R5426 10K
- R5427 10K
- R5428 10K
- R5429 10K
- R5430 10K
- R5431 10K
- R5432 10K
- R5433 10K
- R5434 10K
- R5435 10K
- R5436 10K
- R5437 10K
- R5438 10K
- R5439 10K
- R5440 10K
- R5441 10K
- R5442 10K
- R5443 10K
- R5444 10K
- R5445 10K
- R5446 10K
- R5447 10K
- R5448 10K
- R5449 10K
- R5450 10K
- R5451 10K
- R5452 10K
- R5453 10K
- R5454 10K
- R5455 10K
- R5456 10K
- R5457 10K
- R5458 10K
- R5459 10K
- R5460 10K
- R5461 10K
- R5462 10K
- R5463 10K
- R5464 10K
- R5465 10K
- R5466 10K
- R5467 10K
- R5468 10K
- R5469 10K
- R5470 10K
- R5471 10K
- R5472 10K
- R5473 10K
- R5474 10K
- R5475 10K
- R5476 10K
- R5477 10K
- R5478 10K
- R5479 10K
- R5480 10K
- R5481 10K
- R5482 10K
- R5483 10K
- R5484 10K
- R5485 10K
- R5486 10K
- R5487 10K
- R5488 10K
- R5489 10K
- R5490 10K
- R5491 10K
- R5492 10K
- R5493 10K
- R5494 10K
- R5495 10K
- R5496 10K
- R5497 10K
- R5498 10K
- R5499 10K
- R5500 10K

E

F

G

H



To NAAF-8779 (1/2)
(SD-1 : H4)

To NAVD-8811 (2/2)
(SD-5 : E1)

To NAVD-8811 (2/2)
(SD-5 : A2)

- 473J(50V) 8.2(1W)
 - R8135 0.22
 - 8.2(1W)73J (50V)
 - C8006 0.01
 - 473J(50V) 8.2(1W)
 - JL6600A
- | | |
|---|-------|
| 1 | SPC |
| 2 | SPL |
| 3 | SPR |
| 4 | SPSL |
| 5 | SPSR |
| 6 | SPSBL |
| 7 | SPSBR |

SCHEMATIC DIAGRAMS-3 DSP & MICROPROCESSOR SECTION

1

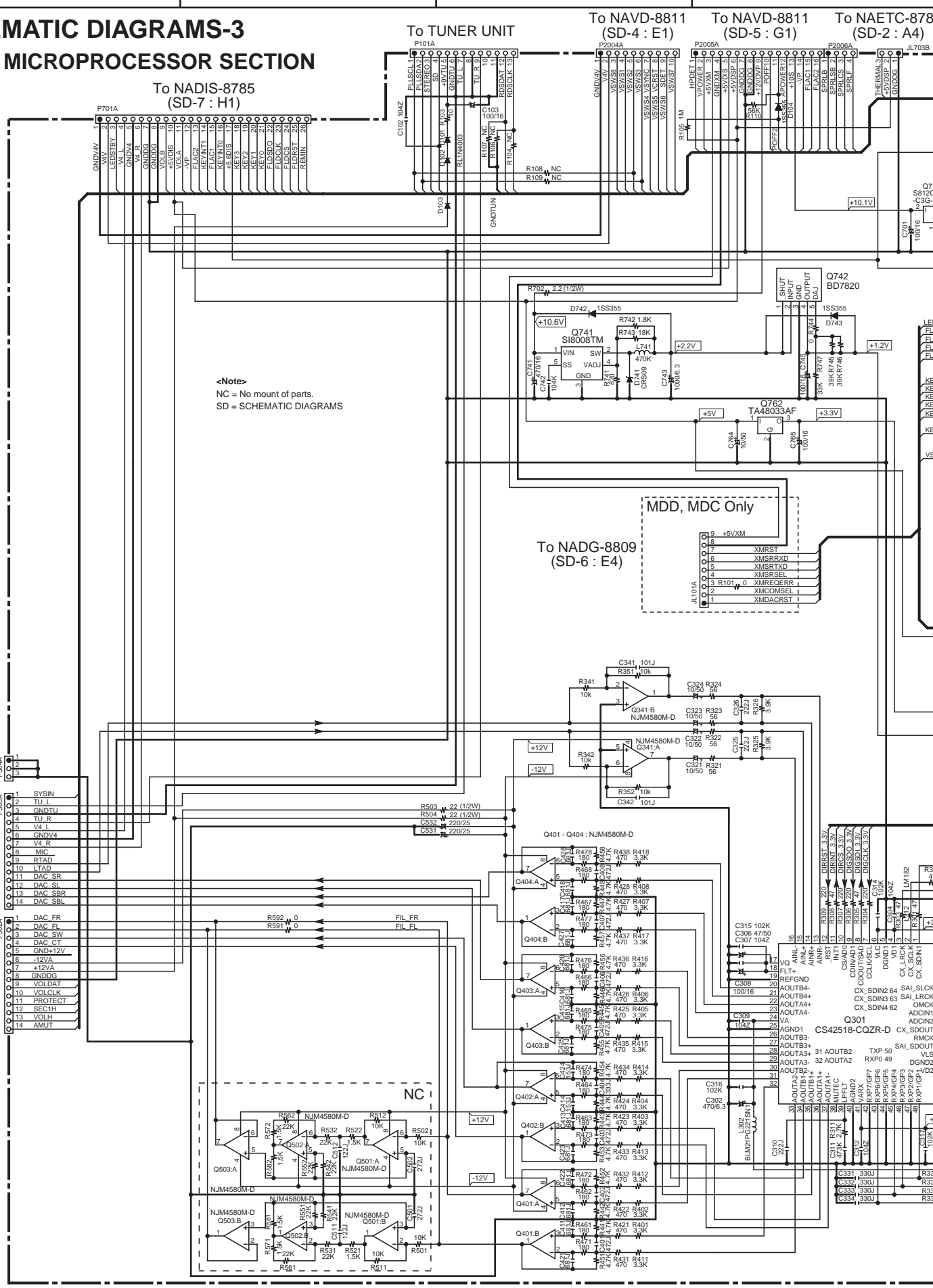
2

3

4

5

To NAAF-8779 (SD-1 : B1)
To NAAF-8779 (SD-1 : C1)
To NAAF-8779 (SD-1 : D1)



<Note>
NC = No mount of parts.
SD = SCHEMATIC DIAGRAMS

MDD, MDC Only

To NADG-8809 (SD-6 : E4)

NC 1

781

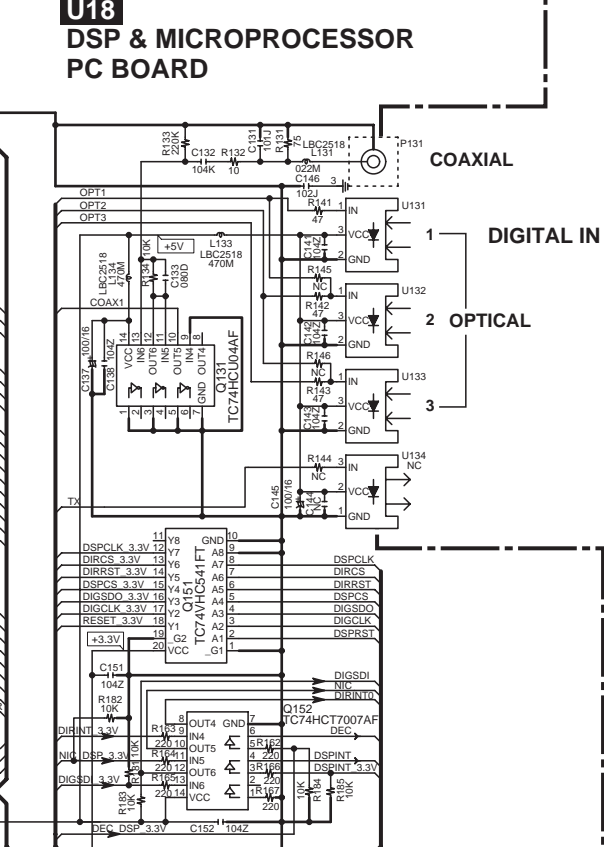
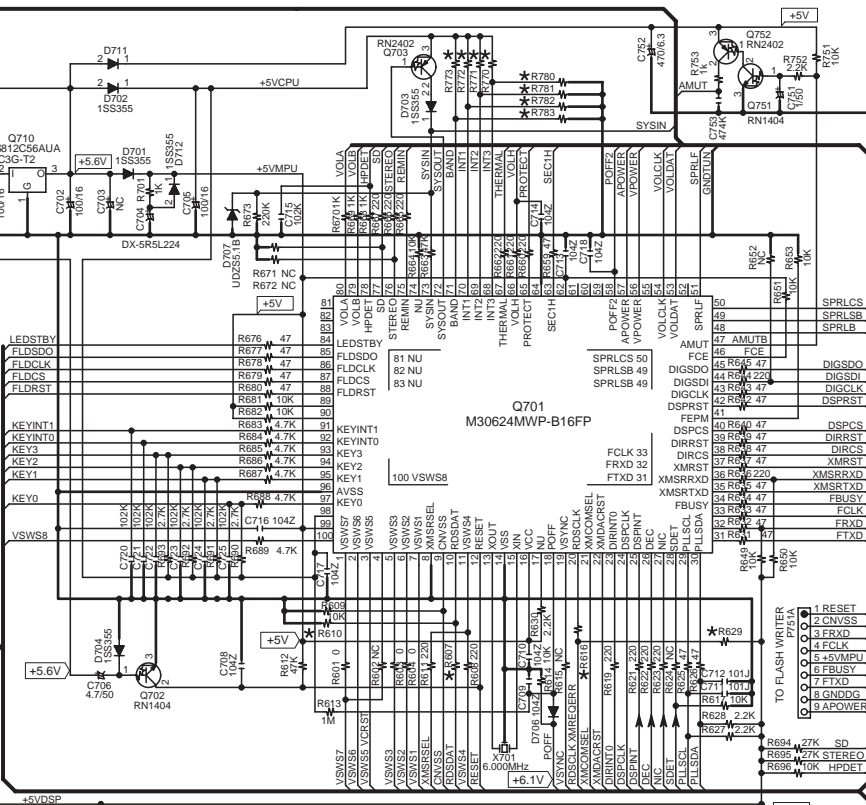
03B

Refer to following table about the parts displayed by mark '*★'

	R770	R771	R772	R773	R780	R781	R782	R783
MDD, MDC	None	None	None	33k	0	0	0	10K
MPA	33K	None	10k	10k	10K	0	10K	None

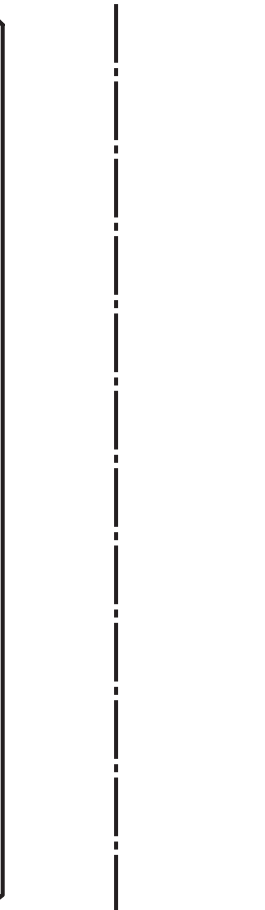
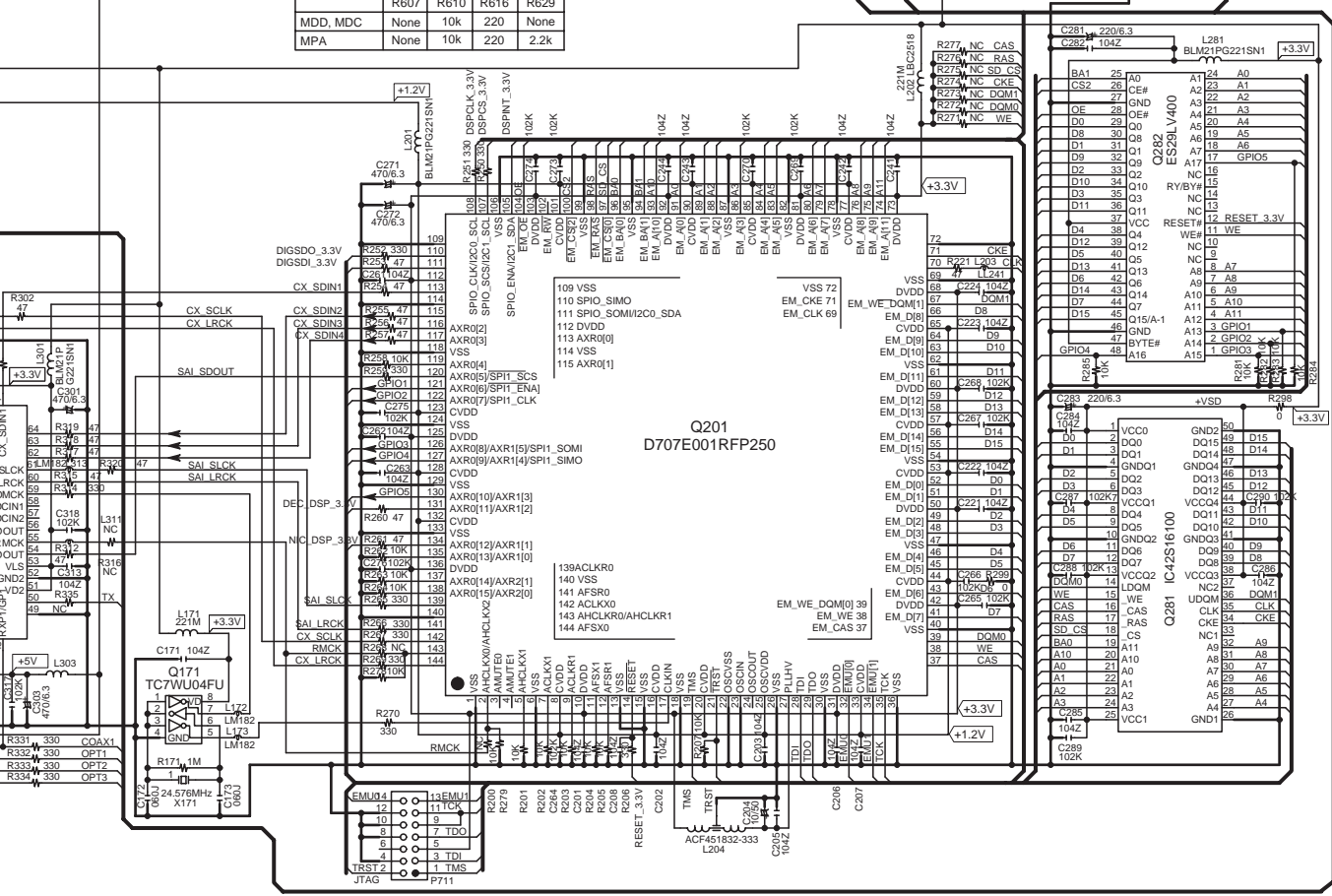
NADG-8808

U18 DSP & MICROPROCESSOR PC BOARD



Refer to following table about the parts displayed by mark '*★'

	R607	R610	R616	R629	R629
MDD, MDC	None	10k	220	None	None
MPA	None	10k	220	2.2k	



SCHEMATIC DIAGRAMS-4 VIDEO SECTION

<Note>
NC = No mount of parts.
SD = SCHEMATIC DIAGRAMS

NAVD-8811 (1/2) U20 VIDEO & SPEAKER TERMINAL PC BOARD

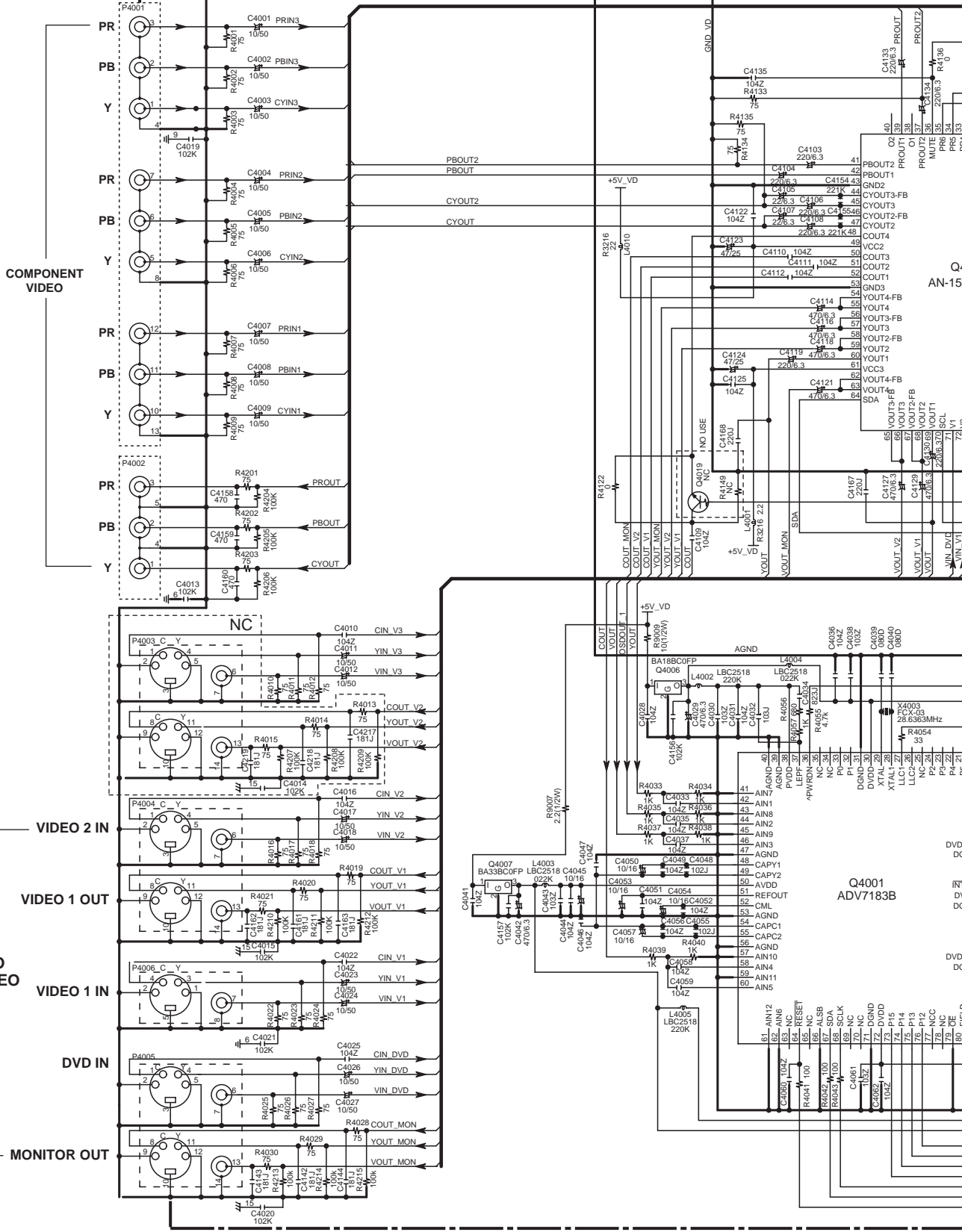
1

2

3

4

5



Q4001
ADV7183B

Q4007
BA333C0FP

Q4006
LBC2518

Q4005
LBC2518

Q4004
LBC2518

Q4003
LBC2518

Q4002
LBC2518

Q4001
ADV7183B

Q4000
LBC2518

Q4000
LBC2518

Q4000
LBC2518

Q4000
LBC2518

Q4000
LBC2518

E

F

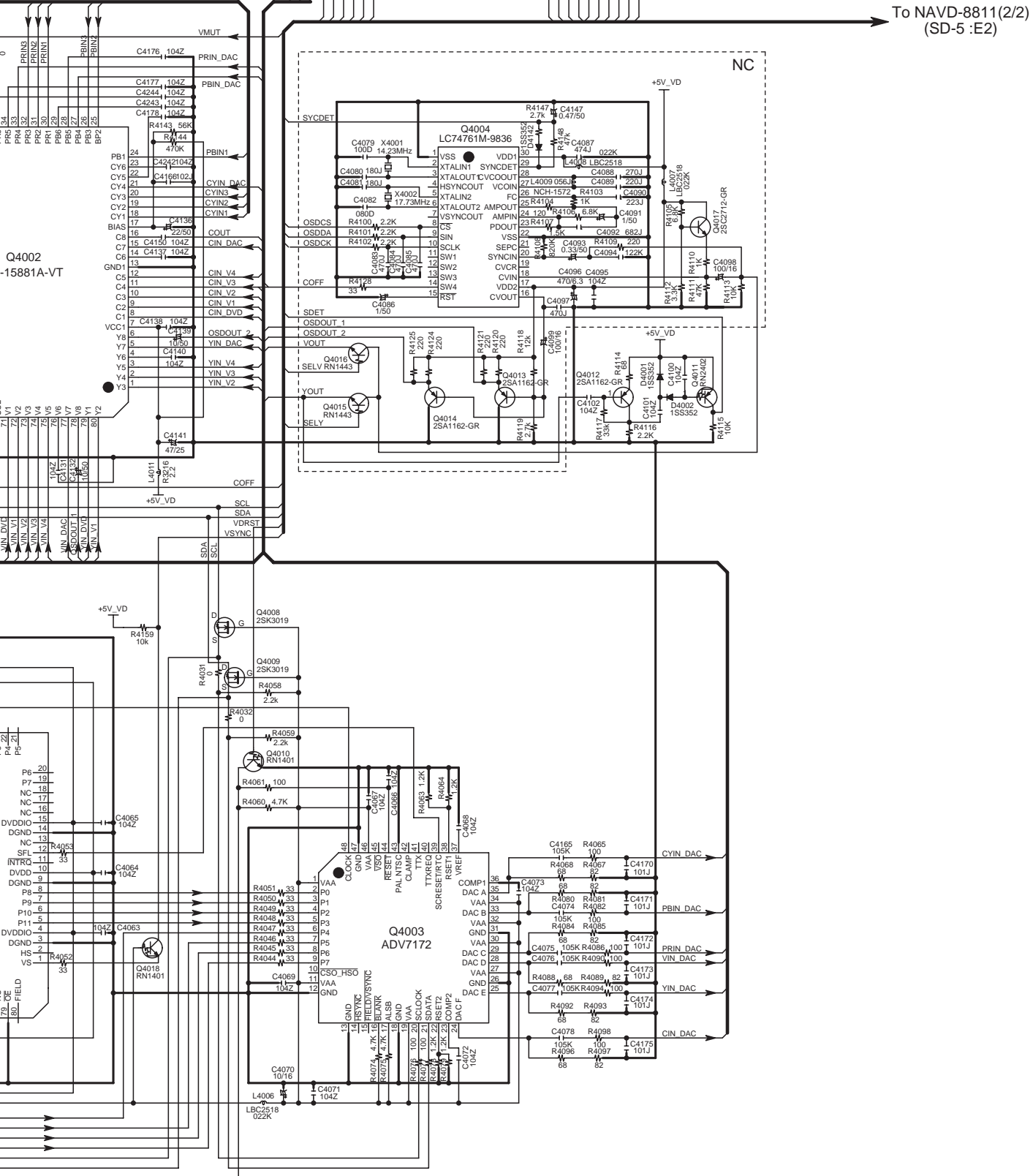
G

H

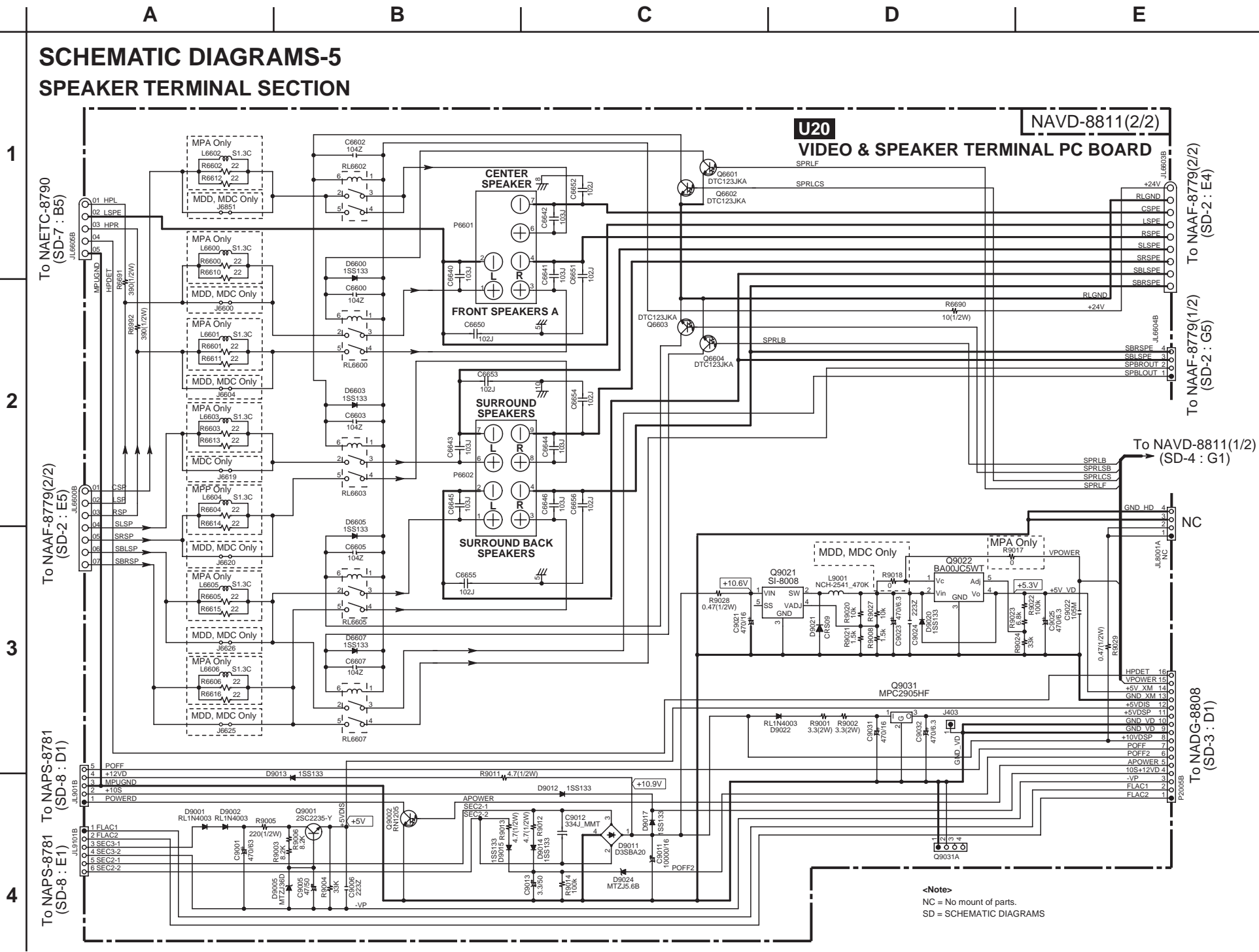
To NADG-8808
(SD-3 : C1)

To NADG-8808
(SD-3 : D1)

To NAVD-8811(2/2)
(SD-5 : E2)



SCHEMATIC DIAGRAMS-5 SPEAKER TERMINAL SECTION



U20
VIDEO & SPEAKER TERMINAL PC BOARD
 NAVD-8811(2/2)

<Note>
 NC = No mount of parts.
 SD = SCHEMATIC DIAGRAMS

A

B

C

D

E

SCHEMATIC DIAGRAMS-6

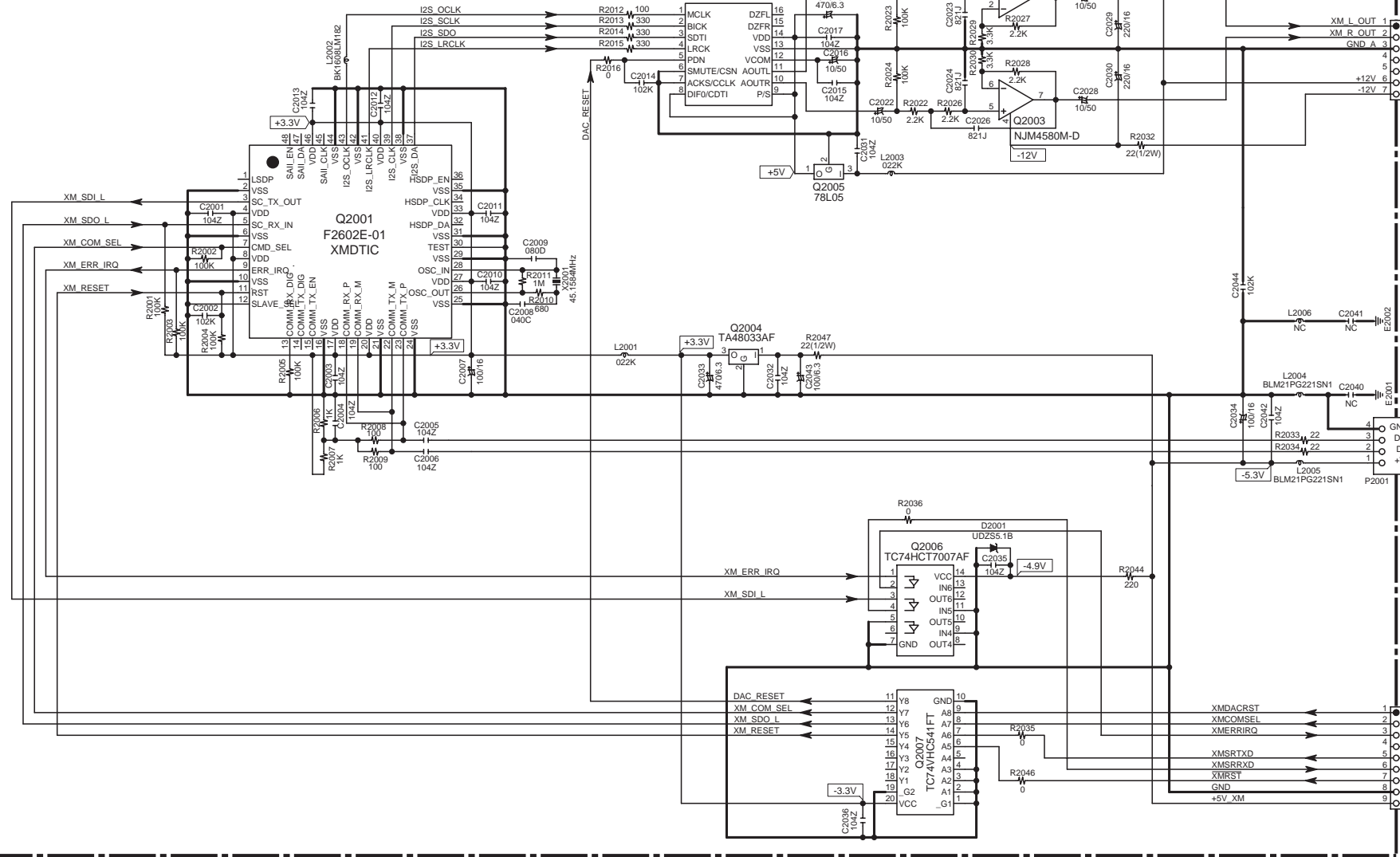
XM DIGITAL TRANSCIVER SECTION (MDD, MDC Only)

<Note>
NC=No mount of parts.
SD = SCHEMATIC DIAGRAMS

NADG-8809

U19

XM DIGITAL TRANSCIVER PC BOARD



To NAAF-8779 (SD-1 : B1)

XM

To NADG-8808 (SD-3 : D3)

1

2

3

4

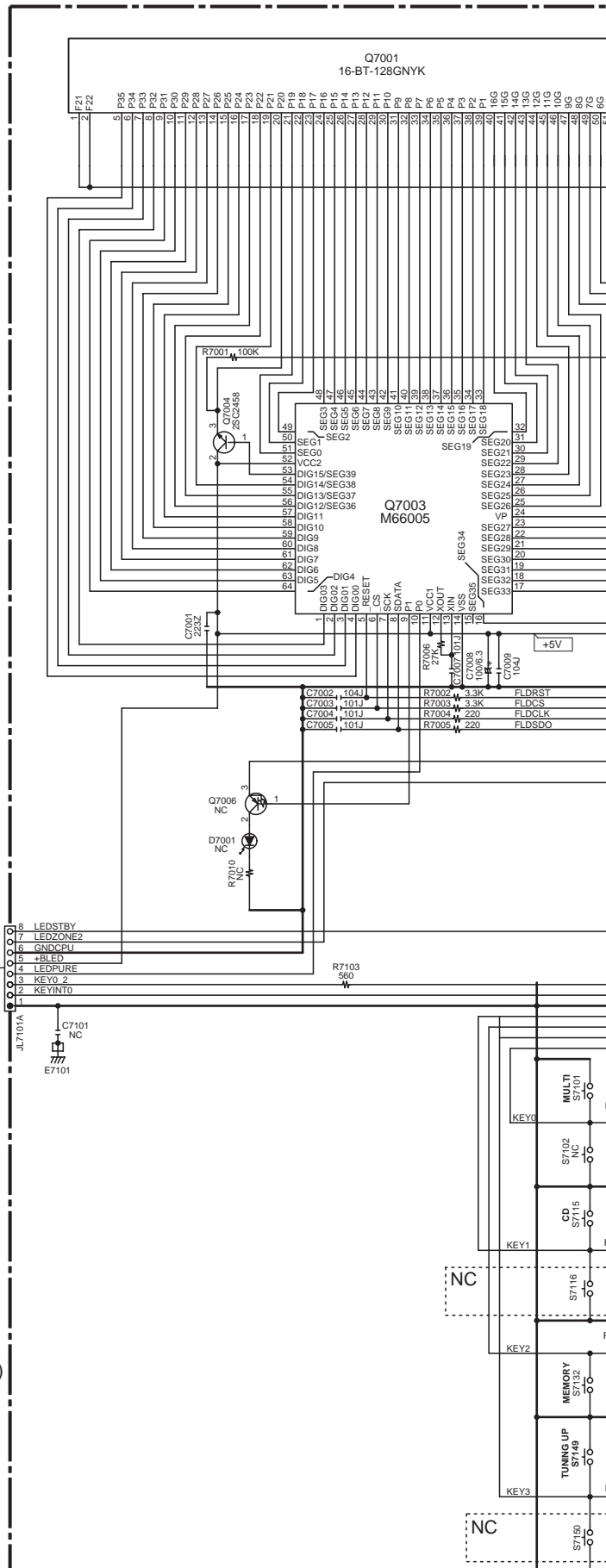
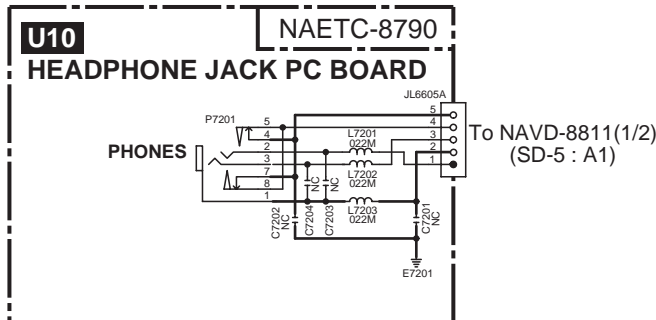
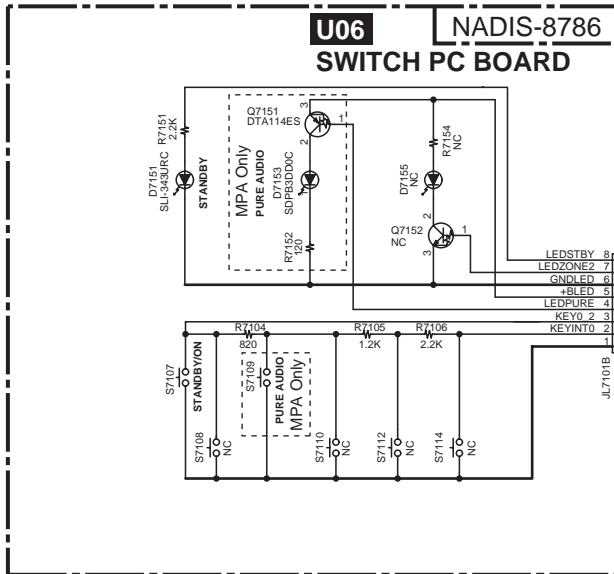
SCHEMATIC DIAGRAMS-7

DISPLAY SECTION

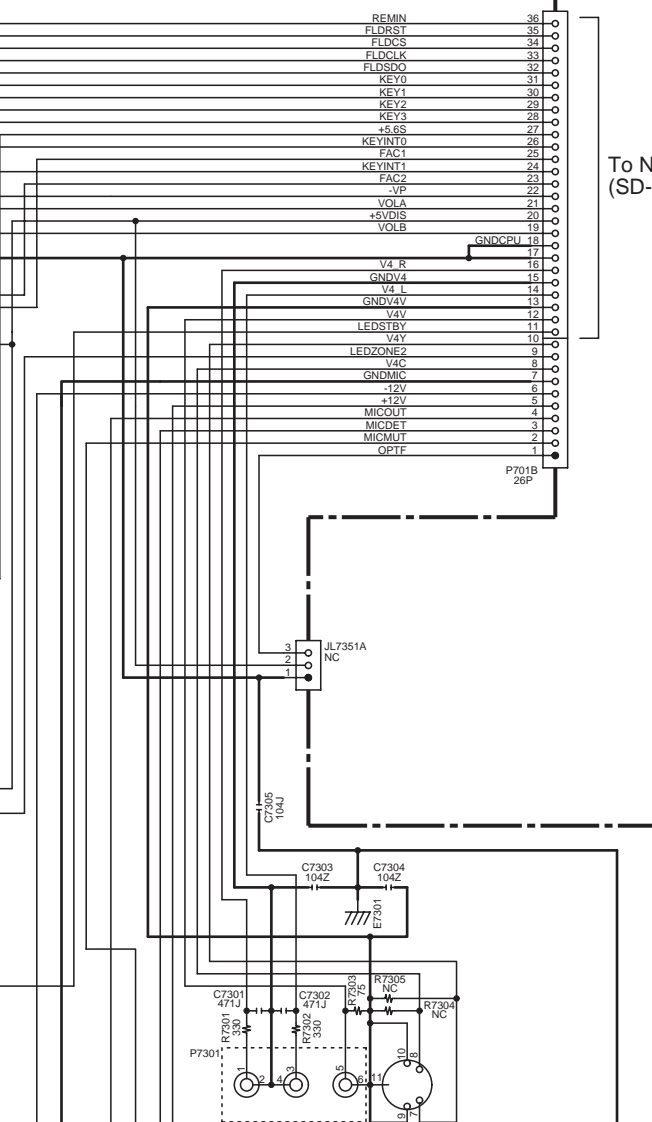
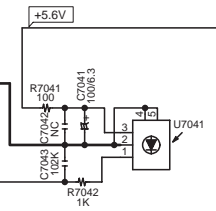
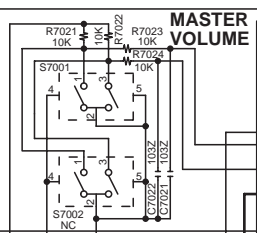
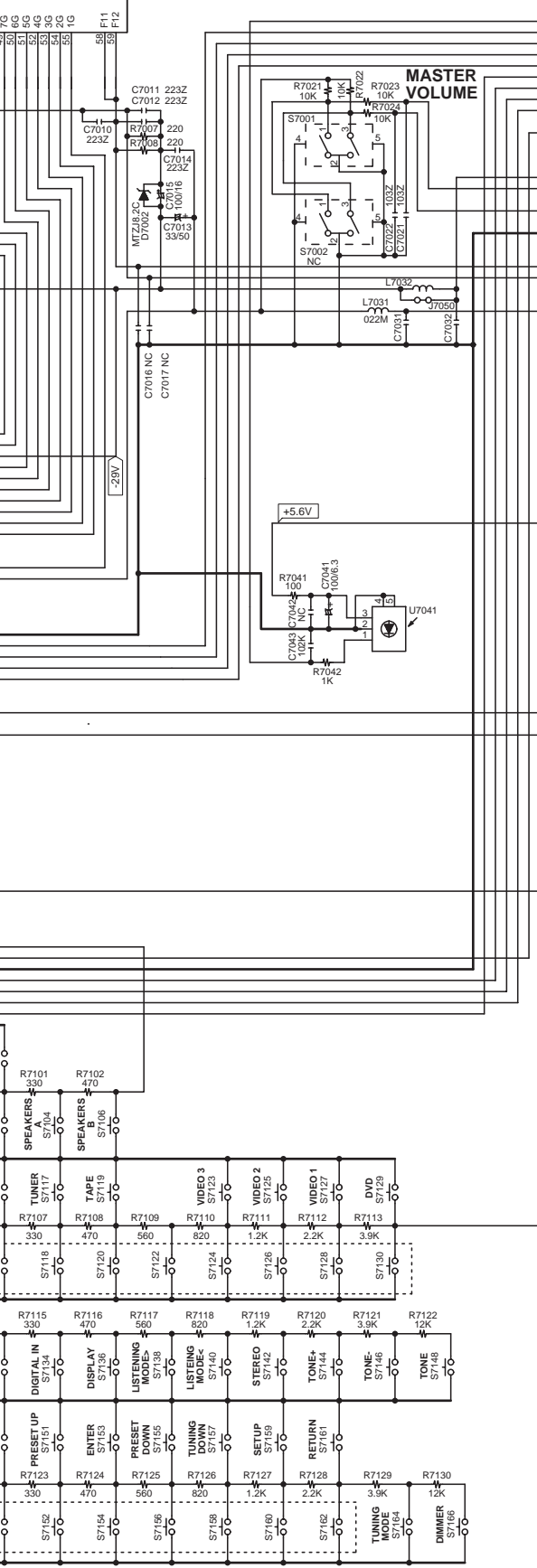
NOTE

- THE COMPONENTS IDENTIFIED BY MARK Δ ARE CRITICAL FOR SAFETY. REPLACE ONLY WITH PART NUMBER SPECIFIED.
- VOLTAGE (MEASURED WITH VOLTMETER) \triangleleft IS DC VOLTAGE (NO INPUT SIGNAL).
- ALL PNP TRANSISTORS ARE EQUIVALENT TO 2SA1015-GR UNLESS OTHERWISE NOTED.
- ALL NPN TRANSISTORS ARE EQUIVALENT TO 2SC1815-GR UNLESS OTHERWISE NOTED.
- ALL DIODES ARE EQUIVALENT TO 1S1S133 UNLESS OTHERWISE NOTED.
- ELECTROLYTIC CAPACITORS ($\text{---} \text{---} \text{---}$) ARE IN $\mu\text{F}/\text{VW}$.
- ALL CAPACITORS ARE IN $\text{pF}/50\text{VW}$ UNLESS OTHERWISE NOTED.
EX) 030- 3pF 330- 33pF 331- 330pF 333- 0.033 μF
- ALL RESISTORS ARE IN OHMS 1/4WATTS UNLESS OTHERWISE NOTED.
- THE THICK LINES ON PC BOARD ARE THE PRINTING SIDE OF THE PARTS.
EX) $\square \square \square$ PRINTING SIDE
- CIRCUIT IS SUBJECT TO CHANGE FOR IMPROVEMENT.

<Note>
 NC = No mount of parts.
 SD = SCHEMATIC DIAGRAMS

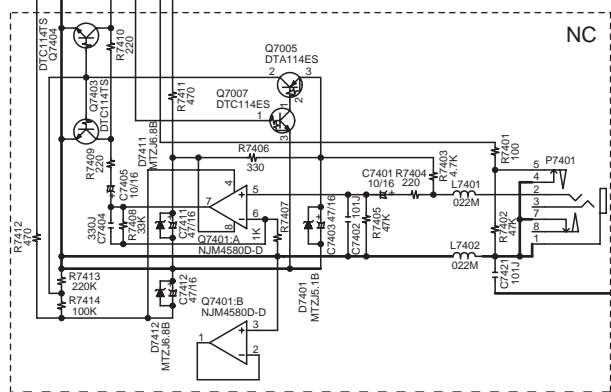


U05 NADIS-8785
DISPLAY PC BOARD



To NADG-8808 (SD-3 : A1)

- REMIN 36
- FLDRST 35
- FLDCS 34
- FLDCLK 33
- FLDSDO 32
- KEY0 31
- KEY1 30
- KEY2 29
- KEY3 28
- +5.6S 27
- KEYINT0 26
- FAC1 25
- KEYINT1 24
- FAC2 23
- VP 22
- VOLA 21
- +5VDIS 20
- VOLB 19
- GNDCPU 18
- V4 R 17
- GNDV4 16
- VP L 15
- GNDV4V 14
- V4V 13
- LEDSTBY 12
- V4Y 11
- LEDZONE2 10
- V4C 9
- GNDMIC 8
- 12V 7
- +12V 6
- MICDET 5
- MICDET 4
- MICMUT 3
- MICMUT 2
- OPTF 1



A

B

C

D

E

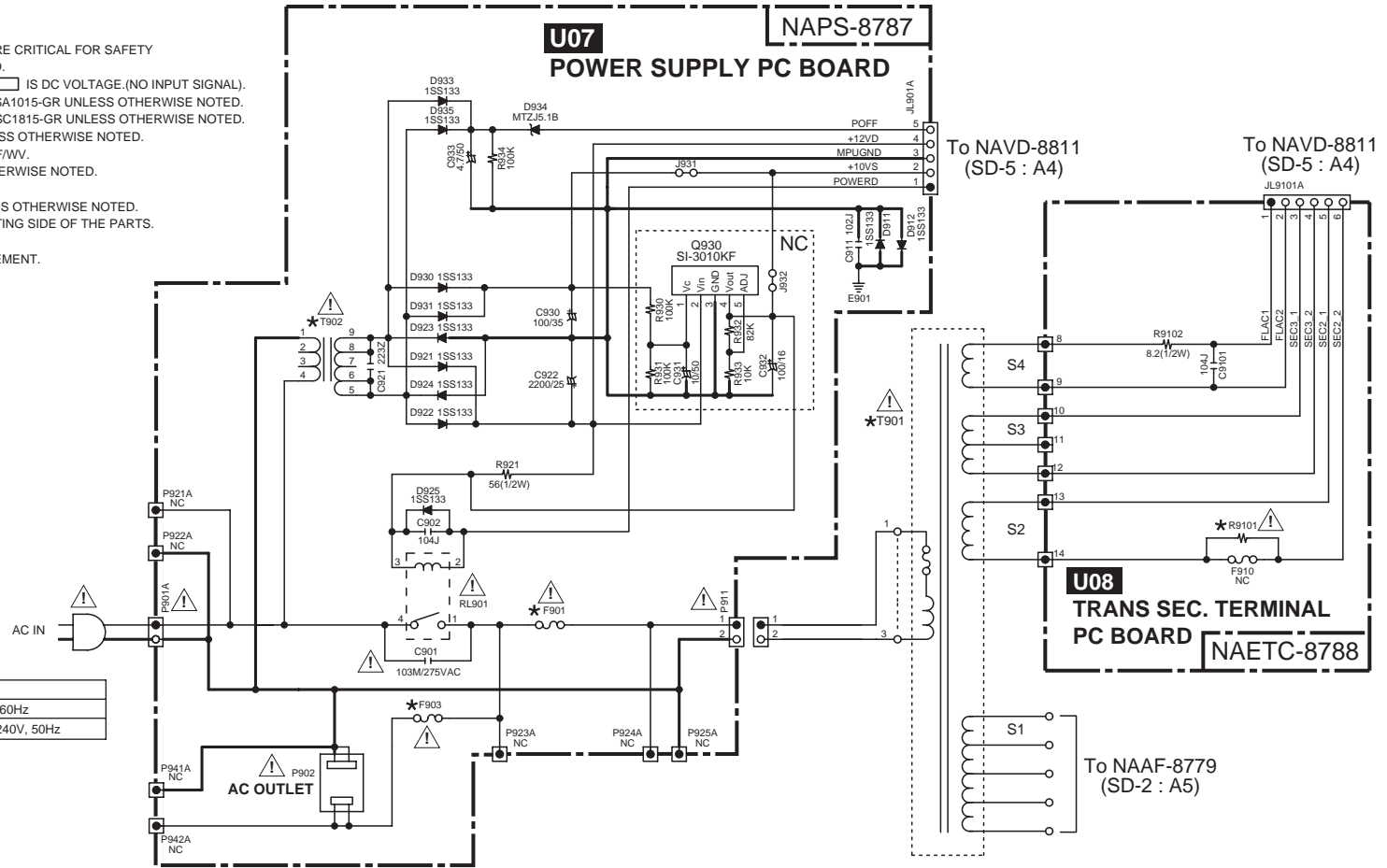
SCHEMATIC DIAGRAMS-8

POWER SUPPLY SECTION

NOTE

- THE COMPONENTS IDENTIFIED BY MARK ARE CRITICAL FOR SAFETY. REPLACE ONLY WITH PART NUMBER SPECIFIED.
- VOLTAGE (MEASURED WITH VOLTMETER) IS DC VOLTAGE.(NO INPUT SIGNAL).
- ALL PNP TRANSISTORS ARE EQUIVALENT TO 2SA1015-GR UNLESS OTHERWISE NOTED.
- ALL NPN TRANSISTORS ARE EQUIVALENT TO 2SC1815-GR UNLESS OTHERWISE NOTED.
- ALL DIODES ARE EQUIVALENT TO 1SS133 UNLESS OTHERWISE NOTED.
- ELECTROLYTIC CAPACITORS () ARE IN uF/WV.
- ALL CAPACITORS ARE IN pF/50WV UNLESS OTHERWISE NOTED.
EX) 030- 3pF 330- 33pF 331- 330pF 333- 0.033uF
- ALL RESISTORS ARE IN OHMS 1/4WATTS UNLESS OTHERWISE NOTED.
- THE THICK LINES ON PC BOARD ARE THE PRINTING SIDE OF THE PARTS.
EX) PRINTING SIDE
- CIRCUIT IS SUBJECT TO CHANGE FOR IMPROVEMENT.

<Note>
NC = No mount of parts.
SD = SCHEMATIC DIAGRAMS



TYPE	AC IN
MDD, MDC	120V, 60Hz
MPA	230 - 240V, 50Hz



THIS SYMBOL LOCATED NEAR THE FUSE INDICATES THAT THE FUSE USED IS SLOW OPERATING TYPE FOR CONTINUED PROTECTION AGAINST FIRE HAZARD, REPLACE WITH SAME TYPE FUSE. FOR FUSE RATING REFER TO THE MARKING ADJACENT TO THE SYMBOL.



CE SYMBOLE INDIQUE QUE LE FUSIBLE UTILISE EST E LENT. POUR UNE PROTECTION PERMANENTE, N'UTILISER QUE DES FUSIBLES DE MEME TYPE. CE DERNIER EST INDIQUE LA QU LE PRESENT SYMBOLE EST APPOSE.

CAUTION

FOR CONTINUED PROTECTION AGAINST FIRE HAZARD, REPLACE ONLY WITH FUSE OF SAME TYPE AND RATING INDICATED.



ATTENTION

AFIN D'ASSURER UNE PROTECTION PERMANENTE CONTRE LES RISQUES D'INCENDIE, REMPLACER UNIQUEMENT PAR UN FUSIBLE DE MEME TYPE ET CALIBRATION COMME INDIQUE.



Refer to following table about the parts displayed by mark "★".

TYPE	F901	F903	T901	T902	R9101
MDD, MDC	8A/125V	5A/125V	NPT-1516D	NPT-1520JQ	0.1(1/2W)
MPP	T4AL250V	T2.5AL250V	NPT-1516P	NPT-1519GQ	0.22(1/2W)

1

2

3

4

TX-SR574**<Note>**

Parts marked by "NSP" are generally unavailable because they are not in our Master Spare Parts List.

NOTE : THE COMPONENTS IDENTIFIED BY THE MARK ! ARE CRITICAL FOR RISK OF FIRE AND ELECTRIC SHOCK. REPLACE ONLY WITH PART NUMBER SPECIFIED.

<Notes>

(B) : Black model
 (S) : Silver model
 <DD> : USA model
 <DC> : Canadian model
 <PA> : Australian model only

EXPLODED VIEW PARTS LIST

	REF. NO.	PART NAME	DESCRIPTION	Q'TY	PART NO. (SN)	REMARKS
EV	A001	F BRACKET	---	1	27111442	(B)
EV	A001	F BRACKET	---	1	27111444	(S)
EV	A002	SCREW	3TTB+8B(3CM)SR	5	801637	
EV	A004	CUSHION	---	1	28141686	
EV	A011	SCREW	3TTB+8B(3CM)SR	3	801637	
EV	A012	SCREW	3TTB+8B(3CM)SR	2	801637	
EV	A013	WIRE TIE	BSK-1	7	260208	
EV	A015	CHASSIS	---	1	---	NSP
EV	A016	SCREW	3TTB+8B(3CM)SR	1	801637	
EV	A017	WIRE TIE	BINDER(CLAMPER)UL	2	260258	
EV	A018	HOLDER	KGLS-22S	1	27190369	
EV	A020	HOLDER	KGLS-16RT	2	27190511	
EV	A021	HOLDER	KGPS-16RF	4	27190991	
EV	A022	HOLDER	KGLS-10RT	1	27190428A	
EV	A024	SCREW	3TTB+8B(3CM)SR	3	801637	
EV	A025	HOLDER	KGPS-12RF	1	27190965	
EV	A027	HOLDER	HOLDER KGLS-18S	1	27190470	
EV	A028	CLIP	CS-1U	1	27255004	
EV	A029	SCREW	3TTB+8B(3CM)SR	1	801637	
EV	A030	SCREW	4TTC+8C(3BC)	4	830440089GR	
EV	A031	SPACER	---	1	27270439	
EV	A033	LABEL	(PT)	1	29363379-1	
EV	A035	HOLDER	KGLS-14RT	1	27190524	
EV	A037	BUSHING	S-RELIEF #2271	1	27300750	!
EV	A040	HEAT SINK	---	1	27160589	
EV	A041	RETAINER	(HL)	1	27142023	
EV	A042	RETAINER	(HR)	1	27142024	
EV	A043	SCREW	3TTB+8B(3CM)SR	4	801637	
EV	A044	TAPE	TAPE(CLOTH-8U)	(1)	29110082	
EV	A045	HOLDER	KGLS-5RT	2	27191156	
EV	A047	SCREW	3TTB+8B(3CM)SR	4	801637	
EV	A048	SCREW	3TTB+8B(3CM)SR	1	801637	
EV	A049	SCREW	3SMS8W.SW+14B(CU)	14	801634	
EV	A050	IB CUSHION	W15*3t TAPE	1	28141585	
EV	A051	TAPE	TAPE(CLOTH-16U)	(1)	29110083	
EV	A055	KNOB	(VOL)AS	1	28326289	(B)
EV	A055	KNOB	(VOL)AS	1	28326461	(S)

EV	A060	COVER	(B)	1	28184961	(B)
EV	A060	COVER	(S)	1	28184962	(S)
EV	A061	SCREW	3TTB+8B(3BC)	6	838430088GR	(B)
EV	A061	SCREW	3TTB+8B(3CM)	6	838130088GR	(S)
EV	A062	CUSHION	---	1	28141681	
EV	A063	TAPE	TAPE(CLOTH-16U)	(1)	29110083	
EV	A065	BOTTOM LEG	---	4	27175432B	
EV	A066	CUSHION	---	4	28141664	
EV	A068	SCREW	3TTB+8B(3CM)SR	4	801637	
EV	A069	CUSHION	---	1	28141687	
EV	A070	CLEAR PLT	---	1	28192090A	(B)
EV	A070	CLEAR PLT	---	1	28192091A	(S)
EV	A071	CUSHION	---	2	28141688	
EV	A073	F PANEL	TX-SR574(B)MDD	1	27212884A	(B), <DD, DC>
EV	A073	F PANEL	TX-SR574(B)MPA	1	27212907	(B), <PA>
EV	A073	F PANEL	TX-SR574(S)MDC	1	27212885A	(S), <DC>
EV	A073	F PANEL	TX-SR574(S)MPA	1	27212908	(S), <PA>
EV	A077	BADGE	---	1	28135244	(B)
EV	A077	BADGE	---	1	28135298	(S)
EV	A081	FACET	FACET	1	28198778	<DD, DC>
EV	A081	FACET	FACET	2	28198778	<PA>
EV	A089	SCREW	3TTB+8B(3BC)	3	838430088GR	
EV	A093	REAR PANEL	574MDD	1	27123548B	<DD, DC>
EV	A093	REAR PANEL	574MPA	1	27123544A	<PA>
EV	A097	SCREW	3TTB+8B(3BC)	34	838430088GR	<DD, DC>
EV	A097	SCREW	3TTB+8B(3BC)	33	838430088GR	<PA>
EV	A102	LABEL	(COVER)	1	29364123	
EV	A109	LABEL	HOOKUP-ONKYO	1	29363194	<DD, DC>
EV	F6901	FUSE	10A-UL/T-233	1	252330GR	!
EV	F6901 or	FUSE	10A-T/UL-ST2	(1)	252333GR	!
EV	F6902	FUSE	10A-UL/T-233	1	252330GR	!
EV	F6902	FUSE	10A-UL/T-233	1	252330GR	!
EV	F901	FUSE	8A-UL/T-233	1	252329GR	!, <DD, DC>
EV	F901 or	FUSE	8A-T/UL-ST2	(1)	252261GR	!, <DD, DC>
EV	F901	FUSE	4A-SE-EAK FUSE	1	252077GR	!, <PA>
EV	F901 or	FUSE	4A-SE-TL250V	(1)	252277GR	!, <PA>
EV	F901C	LABEL	T4AL250V	1	29361732A	!, <PA>
EV	F903	FUSE	5A-UL/T-233	1	252326GR	!, <DD, DC>
EV	F903 or	FUSE	5A-T/UL-ST2	(1)	252258GR	!, <DD, DC>
EV	F903	FUSE	2.5A-SE-EAK FUSE	1	252075GR	!, <PA>
EV	F903 or	FUSE	2.5A-SE-TL250V	(1)	252275GR	!, <PA>
EV	F903C	LABEL	T2.5AL250V	1	29361747	!, <PA>
EV	P101	FFC	NCFC7-131012	1	2047131012	
EV	P6601A	P RIVET	JB-407A-C	14	880052	<PA>
EV	P701	FFC	NCFC3-26020	1	204326020	
EV	P901	AC CORD	AS-UC-2	1	253333VOL	!, <DD, DC>
EV	P901 or	AC CORD	AS-UC-2	(1)	253368LTK	!, <DD, DC>
EV	P901 or	AC CORD	AS-UC-2	(1)	253368YUN	!, <DD, DC>
EV	P901	AC CORD	AS-SAA	1	253388LTK	!, <PA>
EV	P901 or	AC CORD	AS-SAA	(1)	253388LON	!, <PA>
EV	P901 or	AC CORD	AS-SAA	(1)	253388FJK	!, <PA>
EV	Q6050	TR	MN130S-P	1	2203666	
EV	Q6050 or	TR	MN130S-Y	(1)	2203664	
EV	Q6050 or	TR	MN130S-O	(1)	2203663	
EV	Q6050A	ISO SHEET	AC238	2	223024	
EV	Q6050B	ISO SHEET	ISO SHEET	6	223041	
EV	Q6051	TR	MN130S-P	1	2203666	
EV	Q6051 or	TR	MN130S-Y	(1)	2203664	
EV	Q6051 or	TR	MN130S-O	(1)	2203663	
EV	Q6052	TR	MN130S-P	1	2203666	
EV	Q6052 or	TR	MN130S-Y	(1)	2203664	
EV	Q6052 or	TR	MN130S-O	(1)	2203663	

EV	Q6053	TR	MN130S-P	1	2203666	
EV	Q6053 or	TR	MN130S-Y	(1)	2203664	
EV	Q6053 or	TR	MN130S-O	(1)	2203663	
EV	Q6053 or	TR	KTC5242A-O	(1)	2203953	
EV	Q6053 or	TR	KTC5242A-R	(1)	2203952	
EV	Q6054	TR	MN130S-P	1	2203666	
EV	Q6054 or	TR	MN130S-Y	(1)	2203664	
EV	Q6054 or	TR	MN130S-O	(1)	2203663	
EV	Q6054 or	TR	KTC5242A-O	(1)	2203953	
EV	Q6054 or	TR	KTC5242A-R	(1)	2203952	
EV	Q6055	TR	MN130S-P	1	2203666	
EV	Q6055 or	TR	MN130S-Y	(1)	2203664	
EV	Q6055 or	TR	MN130S-O	(1)	2203663	
EV	Q6055 or	TR	KTC5242A-O	(1)	2203953	
EV	Q6055 or	TR	KTC5242A-R	(1)	2203952	
EV	Q6056	TR	MN130S-P	1	2203666	
EV	Q6056 or	TR	MN130S-Y	(1)	2203664	
EV	Q6056 or	TR	MN130S-O	(1)	2203663	
EV	Q6056 or	TR	KTC5242A-O	(1)	2203953	
EV	Q6056 or	TR	KTC5242A-R	(1)	2203952	
EV	Q6056 or	TR	KTC5242A-O	(1)	2203953	
EV	Q6056 or	TR	KTC5242A-R	(1)	2203952	
EV	Q6060	TR	MP130S-P	1	2203676	
EV	Q6060 or	TR	MP130S-Y	(1)	2203674	
EV	Q6060 or	TR	MP130S-O	(1)	2203673	
EV	Q6061	TR	MP130S-P	1	2203676	
EV	Q6061 or	TR	MP130S-Y	(1)	2203674	
EV	Q6061 or	TR	MP130S-O	(1)	2203673	
EV	Q6062	TR	MP130S-P	1	2203676	
EV	Q6062 or	TR	MP130S-Y	(1)	2203674	
EV	Q6062 or	TR	MP130S-O	(1)	2203673	
EV	Q6063	TR	MP130S-P	1	2203676	
EV	Q6063 or	TR	MP130S-Y	(1)	2203674	
EV	Q6063 or	TR	MP130S-O	(1)	2203673	
EV	Q6063 or	TR	KTA1962A-O	(1)	2203943	
EV	Q6063 or	TR	KTA1962A-R	(1)	2203942	
EV	Q6064	TR	MP130S-P	1	2203676	
EV	Q6064 or	TR	MP130S-Y	(1)	2203674	
EV	Q6064 or	TR	MP130S-O	(1)	2203673	
EV	Q6064 or	TR	KTA1962A-O	(1)	2203943	
EV	Q6064 or	TR	KTA1962A-R	(1)	2203942	
EV	Q6065	TR	MP130S-P	1	2203676	
EV	Q6065 or	TR	MP130S-Y	(1)	2203674	
EV	Q6065 or	TR	MP130S-O	(1)	2203673	
EV	Q6065 or	TR	KTA1962A-O	(1)	2203943	
EV	Q6065 or	TR	KTA1962A-R	(1)	2203942	
EV	Q6066	TR	MP130S-P	1	2203676	
EV	Q6066 or	TR	MP130S-Y	(1)	2203674	
EV	Q6066 or	TR	MP130S-O	(1)	2203673	
EV	Q6066 or	TR	KTA1962A-O	(1)	2203943	
EV	Q6066 or	TR	KTA1962A-R	(1)	2203942	
EV	Q6066 or	TR	KTA1962A-R	(1)	2203942	
EV	<Note>					
EV	Must use the same HFE rank mutually about the following parts.					
EV	Ref. No. : Q6050 - 6060, Q6051 - 6061, Q6052 - 6062, Q6053 - 6063, Q6054 - 6064, Q6055 - 6065, Q6056 - 6066					
EV	T901	P TRANS	NPT-1516D	1	2301798	!, <DD, DC>
EV	T901	P TRANS	NPT-1516P	1	2301799	!, <PA>
EV	U01	AMPLIFIER PC board ass'y	NAAF-8779-1D	1	1B126579-1D	<DD, DC>
EV	U01	AMPLIFIER PC board ass'y	NAAF-8779-1Q	1	1B126579-1Q	<PA>
EV	U02	TRANS SEC. TERMINAL PC board ass'y	NAPS-8780-1D	1	1B126580-1D	<DD, DC>
EV	U02	TRANS SEC. TERMINAL PC board ass'y	NAPS-8780-1Q	1	1B126580-1Q	<PA>
EV	U03	THERMAL SENSOR PC board ass'y	NAETC-8781-1D	1	1B126581-1D	<DD, DC>

EV	U03	THERMAL SENSOR PC board ass'y	NAETC-8781-1Q	1	1B126581-1Q	<PA>
EV	U04	HOLDER PC board ass'y	NAETC-8782-1D	1	1B126582-1D	
EV	U05	DISPLAY PC board ass'y	NADIS-8785-1A	1	1B126585-1A	<DD, DC>
EV	U05	DISPLAY PC board ass'y	NADIS-8785-1B	1	1B126585-1B	<PA>
EV	U06	SWITCH PC board ass'y	NADIS-8786-1A	1	1B126586-1A	<DD, DC>
EV	U06	SWITCH PC board ass'y	NADIS-8786-1B	1	1B126586-1B	<PA>
EV	U07	POWER SUPPLY PC board ass'y	NAPS-8787-1A	1	1B126587-1A	<DD, DC>
EV	U07	POWER SUPPLY PC board ass'y	NAPS-8787-1B	1	1B126587-1B	<PA>
EV	U08	TRANS SEC. TERMINAL PC board ass'y	NAETC-8788-1A	1	1B126588-1A	<DD, DC>
EV	U08	TRANS SEC. TERMINAL PC board ass'y	NAETC-8788-1B	1	1B126588-1B	<PA>
EV	U10	HEADPHONE JACK PC board ass'y	NAETC-8790-1A	1	1B126590-1A	<DD, DC>
EV	U10	HEADPHONE JACK PC board ass'y	NAETC-8790-1B	1	1B126590-1B	<PA>
EV	U16	HOLDER PC board ass'y	NAETC-8796-1A	1	1B126596-1A	
EV	U17	HOLDER PC board ass'y	NAETC-8797-1A	1	1B126597-1A	
EV	U18	DSP PC board ass'y	NADG-8808-1A	1	1B126508-1A	<DD, DC>
EV	U18	DSP PC board ass'y	NADG-8808-1B	1	1B126508-1B	<PA>
EV	U19	XM DIGITAL TRANSCEIVER PC board ass'y	NADG-8809-1A	1	1B126509-1A	<DD, DC>
EV	U19	XM DIGITAL TRANSCEIVER PC board ass'y	NADG-8809-1B	1	1B126509-1B	<PA>
EV	U20	VIDEO & SPEAKER TERMINAL PC board ass	NAVD-8811-1A	1	1B126611-1A	<DD, DC>
EV	U20	VIDEO & SPEAKER TERMINAL PC board ass	NAVD-8811-1B	1	1B126611-1B	<PA>
EV	U21	TUNER UNIT	ENG06507QFUS	1	240156	<DD, DC>
EV	U21 or	TUNER UNIT	FAE385-A11US	(1)	240152	<DD, DC>
EV	U21	TUNER UNIT	ENG07506QFEX	1	240159	<PA>
EV	U21 or	TUNER UNIT	FAE485-E12EX	(1)	240155	<PA>

TX-SR574

PCB1 PC BOARD PARTS LIST

PCB1	U01	AMPLIFIER PC BOARD (NAAF-8779-1D/ 1Q)				
PCB1	U02	TRANS SEC. TERMINAL PC BOARD (NAPS-8780-1D/ 1Q)				
PCB1	U03	THERMAL SENSOR PC BOARD (NAETC-8781-1D/ 1Q)				
PCB1						
PCB1						
PCB1						
PCB1	CIRCUIT NO	PART NAME	DESCRIPTION	Q'TY	PART NO. (SN)	REMARKS
PCB1	Q5501	IC	R2S15211FP	1	22242297R3	
PCB1	Q5503	IC	NJM4580M-D	1	22241448R2	
PCB1	Q5630	IC	NJM4580M-D	1	22241448R2	
PCB1	Q5670	IC	78M12HF(NJM78M12FA)	1	222780125JRC	
PCB1	Q5670 or	IC	78M12HF(MPC78M12HF)	(1)	222780125NEC	
PCB1	Q5670 or	IC	78M12(AN78M12F)	(1)	222780125MAT	
PCB1	Q5670A	HEAT-SINK	HEAT-SINK(RAD-68)	1	27160211	
PCB1	Q5670B	SCREW	3P+10FN(3BC)	1	82143010GR	
PCB1	Q5671	IC	79M12HF(NJM79M12FA)	1	222790125JRC	
PCB1	Q5671 or	IC	79M12HF(MPC79M12HF)	(1)	222790125NEC	
PCB1	Q5671 or	IC	79M12F(AN79M12F)	(1)	222790125MAT	
PCB1	Q5671A	HEAT-SINK	HEAT-SINK(RAD-68)	1	27160211	
PCB1	Q5671B	SCREW	3P+10FN(3BC)	1	82143010GR	
PCB1	Q6380	IC	LM61CIZ	1	22242212	
PCB1	Q6380A	RETAINER	(PTH)	1	27141884-1	
PCB1	Q5000	TR	2SC2240-BL(TPE2_F)	1	2211406	
PCB1	Q5001	TR	2SC2240-BL(TPE2_F)	1	2211406	
PCB1	Q5002	TR	2SC2240-BL(TPE2_F)	1	2211406	
PCB1	Q5003	TR	2SC2240-BL(TPE2_F)	1	2211406	
PCB1	Q5004	TR	2SC2240-BL(TPE2_F)	1	2211406	
PCB1	Q5005	TR	2SC2240-BL(TPE2_F)	1	2211406	
PCB1	Q5006	TR	2SC2240-BL(TPE2_F)	1	2211406	
PCB1	Q5010	TR	2SC2240-BL(TPE2_F)	1	2211406	
PCB1	Q5011	TR	2SC2240-BL(TPE2_F)	1	2211406	
PCB1	Q5012	TR	2SC2240-BL(TPE2_F)	1	2211406	
PCB1	Q5013	TR	2SC2240-BL(TPE2_F)	1	2211406	
PCB1	Q5014	TR	2SC2240-BL(TPE2_F)	1	2211406	
PCB1	Q5015	TR	2SC2240-BL(TPE2_F)	1	2211406	
PCB1	Q5016	TR	2SC2240-BL(TPE2_F)	1	2211406	

PCB1	Q5030	TR	2SA949-Y(TPE6_F)	1	2211354
PCB1	Q5031	TR	2SA949-Y(TPE6_F)	1	2211354
PCB1	Q5032	TR	2SA949-Y(TPE6_F)	1	2211354
PCB1	Q5033	TR	2SA949-Y(TPE6_F)	1	2211354
PCB1	Q5034	TR	2SA949-Y(TPE6_F)	1	2211354
PCB1	Q5035	TR	2SA949-Y(TPE6_F)	1	2211354
PCB1	Q5036	TR	2SA949-Y(TPE6_F)	1	2211354
PCB1	Q5040	TR	2SC2229-Y(TPE6_F)	1	2211634
PCB1	Q5041	TR	2SC2229-Y(TPE6_F)	1	2211634
PCB1	Q5042	TR	2SC2229-Y(TPE6_F)	1	2211634
PCB1	Q5043	TR	2SC2229-Y(TPE6_F)	1	2211634
PCB1	Q5044	TR	2SC2229-Y(TPE6_F)	1	2211634
PCB1	Q5045	TR	2SC2229-Y(TPE6_F)	1	2211634
PCB1	Q5046	TR	2SC2229-Y(TPE6_F)	1	2211634
PCB1	Q5050	TR	2SC1815-BL(TPE2_F)	1	2211256
PCB1	Q5050 or	TR	2SC1815-GR	(1)	2211255
PCB1	Q5051	TR	2SC1815-BL(TPE2_F)	1	2211256
PCB1	Q5051 or	TR	2SC1815-GR	(1)	2211255
PCB1	Q5052	TR	2SC1815-BL(TPE2_F)	1	2211256
PCB1	Q5052 or	TR	2SC1815-GR	(1)	2211255
PCB1	Q5053	TR	2SC1815-BL(TPE2_F)	1	2211256
PCB1	Q5053 or	TR	2SC1815-GR	(1)	2211255
PCB1	Q5054	TR	2SC1815-BL(TPE2_F)	1	2211256
PCB1	Q5054 or	TR	2SC1815-GR	(1)	2211255
PCB1	Q5055	TR	2SC1815-BL(TPE2_F)	1	2211256
PCB1	Q5055 or	TR	2SC1815-GR	(1)	2211255
PCB1	Q5056	TR	2SC1815-BL(TPE2_F)	1	2211256
PCB1	Q5056 or	TR	2SC1815-GR	(1)	2211255
PCB1	Q5600	TR	RN1441	1	2215410R2
PCB1	Q5601	TR	RN1441	1	2215410R2
PCB1	Q5602	TR	RN1441	1	2215410R2
PCB1	Q5603	TR	RN1441	1	2215410R2
PCB1	Q5604	TR	RN1441	1	2215410R2
PCB1	Q5605	TR	RN1441	1	2215410R2
PCB1	Q5606	TR	RN1441	1	2215410R2
PCB1	Q5607	TR	RN1441	1	2215410R2
PCB1	Q5610	TR	RN1441	1	2215410R2
PCB1	Q6000	TR	2SC1740S-S	1	2213285
PCB1	Q6001	TR	2SC1740S-S	1	2213285
PCB1	Q6002	TR	2SC1740S-S	1	2213285
PCB1	Q6003	TR	2SC1740S-S	1	2213285
PCB1	Q6004	TR	2SC1740S-S	1	2213285
PCB1	Q6005	TR	2SC1740S-S	1	2213285
PCB1	Q6006	TR	2SC1740S-S	1	2213285
PCB1	Q6010	TR	2SC1740S-S	1	2213285
PCB1	Q6011	TR	2SC1740S-S	1	2213285
PCB1	Q6012	TR	2SC1740S-S	1	2213285
PCB1	Q6013	TR	2SC1740S-S	1	2213285
PCB1	Q6014	TR	2SC1740S-S	1	2213285
PCB1	Q6015	TR	2SC1740S-S	1	2213285
PCB1	Q6016	TR	2SC1740S-S	1	2213285
PCB1	Q6030	TR	2SC5171(ONK_Q)	1	2203010
PCB1	Q6030 or	TR	2SC5993-Q_P	(1)	2217161
PCB1	Q6031	TR	2SC5171(ONK_Q)	1	2203010
PCB1	Q6031 or	TR	5A-T/UL-ST2	(1)	2217161
PCB1	Q6032	TR	2SC5171(ONK_Q)	1	2203010
PCB1	Q6032 or	TR	2SC5993-Q_P	(1)	2217161
PCB1	Q6033	TR	2SC5171(ONK_Q)	1	2203010
PCB1	Q6033 or	TR	KTD2061-Y	(1)	2203434
PCB1	Q6034	TR	2SC5171(ONK_Q)	1	2203010
PCB1	Q6034 or	TR	KTD2061-Y	(1)	2203434
PCB1	Q6035	TR	2SC5171(ONK_Q)	1	2203010

PCB1	Q6035 or	TR	KTD2061-Y	(1)	2203434
PCB1	Q6036	TR	2SC5171(ONK_Q)	1	2203010
PCB1	Q6036 or	TR	KTD2061-Y	(1)	2203434
PCB1	Q6040	TR	2SA1930(ONK_Q)	1	2203000
PCB1	Q6040 or	TR	2SA2140-Q_P	(1)	2217151
PCB1	Q6041	TR	2SA1930(ONK_Q)	1	2203000
PCB1	Q6041 or	TR	2SA2140-Q_P	(1)	2217151
PCB1	Q6042	TR	2SA1930(ONK_Q)	1	2203000
PCB1	Q6042 or	TR	2SA2140-Q_P	(1)	2217151
PCB1	Q6043	TR	2SA1930(ONK_Q)	1	2203000
PCB1	Q6043 or	TR	KTB1369-Y	(1)	2203424
PCB1	Q6044	TR	2SA1930(ONK_Q)	1	2203000
PCB1	Q6044 or	TR	KTB1369-Y	(1)	2203424
PCB1	Q6045	TR	2SA1930(ONK_Q)	1	2203000
PCB1	Q6045 or	TR	KTB1369-Y	(1)	2203424
PCB1	Q6046	TR	2SA1930(ONK_Q)	1	2203000
PCB1	Q6046 or	TR	KTB1369-Y	(1)	2203424
PCB1	Q6070	TR	2SC2240-BL(TPE2_F)	1	2211406
PCB1	Q6070 or	TR	2SC2240-GR	(1)	2211405
PCB1	Q6071	TR	2SC2240-BL(TPE2_F)	1	2211406
PCB1	Q6071 or	TR	2SC2240-GR	(1)	2211405
PCB1	Q6072	TR	2SC2240-BL(TPE2_F)	1	2211406
PCB1	Q6072 or	TR	2SC2240-GR	(1)	2211405
PCB1	Q6073	TR	2SC2240-BL(TPE2_F)	1	2211406
PCB1	Q6073 or	TR	2SC2240-GR	(1)	2211405
PCB1	Q6074	TR	2SC2240-BL(TPE2_F)	1	2211406
PCB1	Q6074 or	TR	2SC2240-GR	(1)	2211405
PCB1	Q6075	TR	2SC2240-BL(TPE2_F)	1	2211406
PCB1	Q6075 or	TR	2SC2240-GR	(1)	2211405
PCB1	Q6076	TR	2SC2240-BL(TPE2_F)	1	2211406
PCB1	Q6076 or	TR	2SC2240-GR	(1)	2211405
PCB1	Q6701	TR	2SC2712-GR	1	2213145R2
PCB1	Q6701 or	TR	KTC3875-GR	(1)	2216175R2
PCB1	Q6702	TR	2SC2712-GR	1	2213145R2
PCB1	Q6702 or	TR	KTC3875-GR	(1)	2216175R2
PCB1	Q6703	TR	2SA1163-BL(TE85L_F)	1	2216756R2
PCB1	Q6707	TR	2SC2712-GR	1	2213145R2
PCB1	Q6707 or	TR	KTC3875-GR	(1)	2216175R2
PCB1	D5000	ZENER D	DZ-5.6BSB	1	224850562
PCB1	D5000 or	ZENER D	MTZJ5.6B	(1)	224470562
PCB1	D5001	ZENER D	DZ-5.6BSB	1	224850562
PCB1	D5001 or	ZENER D	MTZJ5.6B	(1)	224470562
PCB1	D5002	ZENER D	DZ-5.6BSB	1	224850562
PCB1	D5002 or	ZENER D	MTZJ5.6B	(1)	224470562
PCB1	D5003	ZENER D	DZ-5.6BSB	1	224850562
PCB1	D5003 or	ZENER D	MTZJ5.6B	(1)	224470562
PCB1	D5004	ZENER D	DZ-5.6BSB	1	224850562
PCB1	D5004 or	ZENER D	MTZJ5.6B	(1)	224470562
PCB1	D5005	ZENER D	DZ-5.6BSB	1	224850562
PCB1	D5005 or	ZENER D	MTZJ5.6B	(1)	224470562
PCB1	D5006	ZENER D	DZ-5.6BSB	1	224850562
PCB1	D5006 or	ZENER D	MTZJ5.6B	(1)	224470562
PCB1	D5671	ZENER D	DZ-6.2BSC	1	224850623
PCB1	D5671 or	ZENER D	MTZJ6.2C	(1)	224470623
PCB1	D5672	ZENER D	DZ-6.2BSC	1	224850623
PCB1	D5672 or	ZENER D	MTZJ6.2C	(1)	224470623
PCB1	D5673	DIODE	ISS133(DS)	1	223280
PCB1	D5673 or	DIODE	ISS133	(1)	223163
PCB1	D5674	DIODE	ISS133(DS)	1	223280
PCB1	D5674 or	DIODE	ISS133	(1)	223163
PCB1	D5704	C-DIODE	ISS352	1	223234R2
PCB1	D5704 or	C-DIODE	KDS4148U	(1)	223283R2

PCB1	D5704 or	C-DIODE	ISS355	(1)	223269R2
PCB1	D5705	C-DIODE	ISS352	1	223234R2
PCB1	D5705 or	C-DIODE	KDS4148U	(1)	223283R2
PCB1	D5705 or	C-DIODE	ISS355	(1)	223269R2
PCB1	D5706	C-DIODE	ISS352	1	223234R2
PCB1	D5706 or	C-DIODE	KDS4148U	(1)	223283R2
PCB1	D5706 or	C-DIODE	ISS355	(1)	223269R2
PCB1	D5708	C-DIODE	ISS352	1	223234R2
PCB1	D5708 or	C-DIODE	KDS4148U	(1)	223283R2
PCB1	D5708 or	C-DIODE	ISS355	(1)	223269R2
PCB1	D5714	C-DIODE	ISS352	1	223234R2
PCB1	D5714 or	C-DIODE	KDS4148U	(1)	223283R2
PCB1	D5714 or	C-DIODE	ISS355	(1)	223269R2
PCB1	D5715	C-DIODE	ISS352	1	223234R2
PCB1	D5715 or	C-DIODE	KDS4148U	(1)	223283R2
PCB1	D5715 or	C-DIODE	ISS355	(1)	223269R2
PCB1	D5716	C-DIODE	ISS352	1	223234R2
PCB1	D5716 or	C-DIODE	KDS4148U	(1)	223283R2
PCB1	D5716 or	C-DIODE	ISS355	(1)	223269R2
PCB1	D5718	C-DIODE	ISS352	1	223234R2
PCB1	D5718 or	C-DIODE	KDS4148U	(1)	223283R2
PCB1	D5718 or	C-DIODE	ISS355	(1)	223269R2
PCB1	D6000	C-DIODE	ISS352	1	223234R2
PCB1	D6000 or	C-DIODE	KDS4148U	(1)	223283R2
PCB1	D6000 or	C-DIODE	ISS355	(1)	223269R2
PCB1	D6001	C-DIODE	ISS352	1	223234R2
PCB1	D6001 or	C-DIODE	KDS4148U	(1)	223283R2
PCB1	D6001 or	C-DIODE	ISS355	(1)	223269R2
PCB1	D6002	C-DIODE	ISS352	1	223234R2
PCB1	D6002 or	C-DIODE	KDS4148U	(1)	223283R2
PCB1	D6002 or	C-DIODE	ISS355	(1)	223269R2
PCB1	D6003	C-DIODE	ISS352	1	223234R2
PCB1	D6003 or	C-DIODE	KDS4148U	(1)	223283R2
PCB1	D6003 or	C-DIODE	ISS355	(1)	223269R2
PCB1	D6004	C-DIODE	ISS352	1	223234R2
PCB1	D6004 or	C-DIODE	KDS4148U	(1)	223283R2
PCB1	D6004 or	C-DIODE	ISS355	(1)	223269R2
PCB1	D6005	C-DIODE	ISS352	1	223234R2
PCB1	D6005 or	C-DIODE	KDS4148U	(1)	223283R2
PCB1	D6005 or	C-DIODE	ISS355	(1)	223269R2
PCB1	D6006	C-DIODE	ISS352	1	223234R2
PCB1	D6006 or	C-DIODE	KDS4148U	(1)	223283R2
PCB1	D6006 or	C-DIODE	ISS355	(1)	223269R2
PCB1	D6010	C-DIODE	ISS352	1	223234R2
PCB1	D6010 or	C-DIODE	KDS4148U	(1)	223283R2
PCB1	D6010 or	C-DIODE	ISS355	(1)	223269R2
PCB1	D6011	C-DIODE	ISS352	1	223234R2
PCB1	D6011 or	C-DIODE	KDS4148U	(1)	223283R2
PCB1	D6011 or	C-DIODE	ISS355	(1)	223269R2
PCB1	D6012	C-DIODE	ISS352	1	223234R2
PCB1	D6012 or	C-DIODE	KDS4148U	(1)	223283R2
PCB1	D6012 or	C-DIODE	ISS355	(1)	223269R2
PCB1	D6013	C-DIODE	ISS352	1	223234R2
PCB1	D6013 or	C-DIODE	KDS4148U	(1)	223283R2
PCB1	D6013 or	C-DIODE	ISS355	(1)	223269R2
PCB1	D6014	C-DIODE	ISS352	1	223234R2
PCB1	D6014 or	C-DIODE	KDS4148U	(1)	223283R2
PCB1	D6014 or	C-DIODE	ISS355	(1)	223269R2
PCB1	D6015	C-DIODE	ISS352	1	223234R2
PCB1	D6015 or	C-DIODE	KDS4148U	(1)	223283R2
PCB1	D6015 or	C-DIODE	ISS355	(1)	223269R2
PCB1	D6016	C-DIODE	ISS352	1	223234R2

PCB1	D6016 or	C-DIODE	KDS4148U	(1)	223283R2
PCB1	D6016 or	C-DIODE	1SS355	(1)	223269R2
PCB1	D6701	C-DIODE	1SS352	1	223234R2
PCB1	D6701 or	C-DIODE	KDS4148U	(1)	223283R2
PCB1	D6701 or	C-DIODE	1SS355	(1)	223269R2
PCB1	D6702	C-DIODE	1SS352	1	223234R2
PCB1	D6702 or	C-DIODE	KDS4148U	(1)	223283R2
PCB1	D6702 or	C-DIODE	1SS355	(1)	223269R2
PCB1	D6703	ZENER D	UDZS5.1B	1	224550510R2
PCB1	D6704	ZENER D	UDZS5.1B	1	224550510R2
PCB1	D6901	DIODE	D10XB60H	1	22380337
PCB1	D6901A	HEAT SINK	RAD-196	1	27160545
PCB1	D6901C	SCREW	3P+10FN(3BC)	2	82143010GR
PCB1	D6902	C-DIODE	1SS352	1	223234R2
PCB1	D6902 or	C-DIODE	KDS4148U	(1)	223283R2
PCB1	D6902 or	C-DIODE	1SS355	(1)	223269R2
PCB1	D6903	DIODE	D10XB60H	1	22380337
PCB1	D9001	DIODE	RL1N4003	1	22380260
PCB1	D9001 or	DIODE	GP104003E	(1)	22380035
PCB1	D9002	DIODE	RL1N4003	1	22380260
PCB1	D9002 or	DIODE	GP104003E	(1)	22380035
PCB1	D9003	DIODE	RL1N4003	1	22380260
PCB1	D9003 or	DIODE	GP104003E	(1)	22380035
PCB1	D9004	DIODE	RL1N4003	1	22380260
PCB1	D9004 or	DIODE	GP104003E	(1)	22380035
PCB1	C5000	TF C	ECQ-B50V-221K	1	374722215
PCB1	C5001	TF C	ECQ-B50V-221K	1	374722215
PCB1	C5002	TF C	ECQ-B50V-221K	1	374722215
PCB1	C5003	TF C	ECQ-B50V-221K	1	374722215
PCB1	C5004	TF C	ECQ-B50V-221K	1	374722215
PCB1	C5005	TF C	ECQ-B50V-221K	1	374722215
PCB1	C5006	TF C	ECQ-B50V-221K	1	374722215
PCB1	C5010	VX C	CE04W50V-47M(VX)	1	393384707
PCB1	C5011	VX C	CE04W50V-47M(VX)	1	393384707
PCB1	C5012	VX C	CE04W50V-47M(VX)	1	393384707
PCB1	C5013	VX C	CE04W50V-47M(VX)	1	393384707
PCB1	C5014	VX C	CE04W50V-47M(VX)	1	393384707
PCB1	C5015	VX C	CE04W50V-47M(VX)	1	393384707
PCB1	C5016	VX C	CE04W50V-47M(VX)	1	393384707
PCB1	C5020	VX C	CE04W50V-10M(VX)	1	393381007
PCB1	C5021	VX C	CE04W50V-10M(VX)	1	393381007
PCB1	C5022	VX C	CE04W50V-10M(VX)	1	393381007
PCB1	C5023	VX C	CE04W50V-10M(VX)	1	393381007
PCB1	C5024	VX C	CE04W50V-10M(VX)	1	393381007
PCB1	C5025	VX C	CE04W50V-10M(VX)	1	393381007
PCB1	C5026	VX C	CE04W50V-10M(VX)	1	393381007
PCB1	C5040	VX C	CE04W25V-220M(VX)	1	393352217
PCB1	C5041	VX C	CE04W25V-220M(VX)	1	393352217
PCB1	C5042	VX C	CE04W25V-220M(VX)	1	393352217
PCB1	C5043	VX C	CE04W25V-220M(VX)	1	393352217
PCB1	C5044	VX C	CE04W25V-220M(VX)	1	393352217
PCB1	C5045	VX C	CE04W25V-220M(VX)	1	393352217
PCB1	C5046	VX C	CE04W25V-220M(VX)	1	393352217
PCB1	C5050	VX C	CE04W50V-47M(VX)	1	393384707
PCB1	C5051	VX C	CE04W50V-47M(VX)	1	393384707
PCB1	C5052	VX C	CE04W50V-47M(VX)	1	393384707
PCB1	C5053	VX C	CE04W50V-47M(VX)	1	393384707
PCB1	C5054	VX C	CE04W50V-47M(VX)	1	393384707
PCB1	C5055	VX C	CE04W50V-47M(VX)	1	393384707
PCB1	C5056	VX C	CE04W50V-47M(VX)	1	393384707
PCB1	C5080	CERA C	CC45SL50V-040D	1	345020402
PCB1	C5081	CERA C	CC45SL50V-040D	1	345020402

PCB1	C5082	CERA C	CC45SL50V-040D	1	345020402
PCB1	C5083	CERA C	CC45SL50V-040D	1	345020402
PCB1	C5084	CERA C	CC45SL50V-040D	1	345020402
PCB1	C5085	CERA C	CC45SL50V-040D	1	345020402
PCB1	C5086	CERA C	CC45SL50V-040D	1	345020402
PCB1	C5090	TF C	ECQ-B50V-101K	1	374721015
PCB1	C5091	TF C	ECQ-B50V-101K	1	374721015
PCB1	C5092	TF C	ECQ-B50V-101K	1	374721015
PCB1	C5093	TF C	ECQ-B50V-101K	1	374721015
PCB1	C5094	TF C	ECQ-B50V-101K	1	374721015
PCB1	C5095	TF C	ECQ-B50V-101K	1	374721015
PCB1	C5096	TF C	ECQ-B50V-101K	1	374721015
PCB1	C5100	VR C	CE04W100V-22M(VR)	1	394692207
PCB1	C5101	VR C	CE04W100V-22M(VR)	1	394692207
PCB1	C5102	VR C	CE04W100V-22M(VR)	1	394692207
PCB1	C5103	VR C	CE04W100V-22M(VR)	1	394692207
PCB1	C5104	VR C	CE04W100V-22M(VR)	1	394692207
PCB1	C5105	VR C	CE04W100V-22M(VR)	1	394692207
PCB1	C5106	VR C	CE04W100V-22M(VR)	1	394692207
PCB1	C5110	VR C	CE04W100V-22M(VR)	1	394692207
PCB1	C5111	VR C	CE04W100V-22M(VR)	1	394692207
PCB1	C5112	VR C	CE04W100V-22M(VR)	1	394692207
PCB1	C5113	VR C	CE04W100V-22M(VR)	1	394692207
PCB1	C5114	VR C	CE04W100V-22M(VR)	1	394692207
PCB1	C5115	VR C	CE04W100V-22M(VR)	1	394692207
PCB1	C5116	VR C	CE04W100V-22M(VR)	1	394692207
PCB1	C5503	TF C	ECQ-B50V-221K	1	374722215
PCB1	C5504	TF C	ECQ-B50V-221K	1	374722215
PCB1	C5507	C-CERA C	CC725CH1H-221J1	1	342102214R1
PCB1	C5508	C-CERA C	CC725CH1H-221J1	1	342102214R1
PCB1	C5513	C-CERA C	CC725CH1H-221J1	1	342102214R1
PCB1	C5514	C-CERA C	CC725CH1H-221J1	1	342102214R1
PCB1	C5517	C-CERA C	CC725CH1H-221J1	1	342102214R1
PCB1	C5518	C-CERA C	CC725CH1H-221J1	1	342102214R1
PCB1	C5519	TF C	ECQ-B50V-221K	1	374722215
PCB1	C5520	TF C	ECQ-B50V-221K	1	374722215
PCB1	C5521	C-CERA C	CC725CH1H-221J1	1	342102214R1
PCB1	C5522	C-CERA C	CC725CH1H-221J1	1	342102214R1
PCB1	C5523	C-CERA C	CC725CH1H-221J1	1	342102214R1
PCB1	C5524	TF C	ECQ-B50V-221K	1	374722215
PCB1	C5525	C-CERA C	CC725CH1H-221J1	1	342102214R1
PCB1	C5526	C-CERA C	CC725CH1H-221J1	1	342102214R1
PCB1	C5551	VX C	CE04W25V-47M(VX)	1	393354707
PCB1	C5552	VX C	CE04W25V-47M(VX)	1	393354707
PCB1	C5553	VX C	CE04W25V-47M(VX)	1	393354707
PCB1	C5554	VX C	CE04W25V-47M(VX)	1	393354707
PCB1	C5555	VX C	CE04W25V-47M(VX)	1	393354707
PCB1	C5556	VX C	CE04W25V-47M(VX)	1	393354707
PCB1	C5557	VX C	CE04W25V-47M(VX)	1	393354707
PCB1	C5558	VX C	CE04W25V-47M(VX)	1	393354707
PCB1	C5559	TF C	ECQ-V50V-474J	1	374724744
PCB1	C5560	TF C	ECQ-V50V-823J	1	374728234
PCB1	C5561	TF C	ECQ-B50V-223J	1	374722234
PCB1	C5562	TF C	ECQ-V50V-474J	1	374724744
PCB1	C5563	TF C	ECQ-V50V-823J	1	374728234
PCB1	C5564	TF C	ECQ-B50V-223J	1	374722234
PCB1	C5565	VX C	CE04W25V-47M(VX)	1	393354707
PCB1	C5566	VX C	CE04W25V-47M(VX)	1	393354707
PCB1	C5569	VX C	CE04W50V-47M(VX)	1	393384707
PCB1	C5570	VX C	CE04W50V-47M(VX)	1	393384707
PCB1	C5571	VX C	CE04W50V-47M(VX)	1	393384707
PCB1	C5572	VX C	CE04W50V-47M(VX)	1	393384707

PCB1	C5573	VX C	CE04W50V-47M(VX)	1	393384707
PCB1	C5574	VX C	CE04W50V-47M(VX)	1	393384707
PCB1	C5575	VX C	CE04W50V-47M(VX)	1	393384707
PCB1	C5576	VX C	CE04W50V-47M(VX)	1	393384707
PCB1	C5590	C-CERA C	CC725CH1H-330J1	1	342103304R1
PCB1	C5591	C-CERA C	CC725CH1H-330J1	1	342103304R1
PCB1	C5600	VX C	CE04W25V-100M(VX)	1	393351017
PCB1	C5601	VX C	CE04W50V-47M(VX)	1	393384707
PCB1	C5602	VX C	CE04W50V-47M(VX)	1	393384707
PCB1	C5603	VX C	CE04W50V-47M(VX)	1	393384707
PCB1	C5604	VX C	CE04W50V-47M(VX)	1	393384707
PCB1	C5605	VX C	CE04W50V-47M(VX)	1	393384707
PCB1	C5606	VX C	CE04W50V-47M(VX)	1	393384707
PCB1	C5607	VX C	CE04W50V-47M(VX)	1	393384707
PCB1	C5630	VX C	CE04W50V-47M(VX)	1	393384707
PCB1	C5631	C-CERA C	CC725CH1H-221J1	1	342102214R1
PCB1	C5632	TF C	ECQ-B50V-103J	1	374721034
PCB1	C5666	VX C	CE04W25V-220M(VX)	1	393352217
PCB1	C5667	VX C	CE04W25V-220M(VX)	1	393352217
PCB1	C5670	VX C	CE04W50V-10M(VX)	1	393381007
PCB1	C5671	VX C	CE04W50V-10M(VX)	1	393381007
PCB1	C5672	VX C	CE04W25V-220M(VX)	1	393352217
PCB1	C5673	VX C	CE04W25V-220M(VX)	1	393352217
PCB1	C5674	VX C	CE04W16V-470M(VX)	1	393344717
PCB1	C5675	VX C	CE04W16V-470M(VX)	1	393344717
PCB1	C5704	C-CERA C	CC725CH1H-221J1	1	342102214R1
PCB1	C5705	C-CERA C	CC725CH1H-221J1	1	342102214R1
PCB1	C5706	C-CERA C	CC725CH1H-221J1	1	342102214R1
PCB1	C5708	C-CERA C	CK725B1H-222K1	1	332102225R1
PCB1	C6030	TF C	ECQ-V50V-473J	1	374724734
PCB1	C6031	TF C	ECQ-V50V-473J	1	374724734
PCB1	C6032	TF C	ECQ-V50V-473J	1	374724734
PCB1	C6033	TF C	ECQ-V50V-473J	1	374724734
PCB1	C6034	TF C	ECQ-V50V-473J	1	374724734
PCB1	C6035	TF C	ECQ-V50V-473J	1	374724734
PCB1	C6036	TF C	ECQ-V50V-473J	1	374724734
PCB1	C6040	VX C	CE04W50V-47M(VX)	1	393384707
PCB1	C6041	VX C	CE04W50V-47M(VX)	1	393384707
PCB1	C6042	VX C	CE04W50V-47M(VX)	1	393384707
PCB1	C6043	VX C	CE04W50V-47M(VX)	1	393384707
PCB1	C6044	VX C	CE04W50V-47M(VX)	1	393384707
PCB1	C6045	VX C	CE04W50V-47M(VX)	1	393384707
PCB1	C6046	VX C	CE04W50V-47M(VX)	1	393384707
PCB1	C6050	TF C	ECQ-B50V-103J	1	374721034
PCB1	C6051	TF C	ECQ-B50V-103J	1	374721034
PCB1	C6052	TF C	ECQ-B50V-103J	1	374721034
PCB1	C6053	TF C	ECQ-B50V-103J	1	374721034
PCB1	C6054	TF C	ECQ-B50V-103J	1	374721034
PCB1	C6055	TF C	ECQ-B50V-103J	1	374721034
PCB1	C6056	TF C	ECQ-B50V-103J	1	374721034
PCB1	C6076	TF C	ECQ-B50V-102J	1	374721024
PCB1	C6077	TF C	ECQ-B50V-102J	1	374721024
PCB1	C6086	TF C	ECQ-B50V-103J	1	374721034
PCB1	C6087	TF C	ECQ-B50V-103J	1	374721034
PCB1	C6701	VX C	CE04W25V-100M(VX)	1	393351017
PCB1	C6703	C-CERA C	CK725F1H-104Z1	1	332151040R1
PCB1	C6704	VX C	CE04W50V-1M(VX)	1	393380107
PCB1	C6706	VX C	CE04W50V-10M(VX)	1	393381007
PCB1	C6901	ELECT C	CE69W63V-10000MB	1	3504418
PCB1	C6901 or	ELECT C	CE69W63V-10000MA	(1)	3504417
PCB1	C6901A	IB CUSHION	W15 x 3t TAPE	1	28141585
PCB1	C6902	ELECT C	CE69W63V-10000MB	1	3504418

PCB1	C6902 or	ELECT C	CE69W63V-10000MA	(1)	3504417
PCB1	C6902A	IB CUSHION	W15 x 3t TAPE	1	28141585
PCB1	C6911	C-CERA C	CC72SCH1H-102J1	1	342101024R1
PCB1	C6912	TF C	ECQ-V50V-334J	1	374723344
PCB1	C6913	TF C	ECQ-V50V-334J	1	374723344
PCB1	C6915	TF C	ECQ-V50V-104J	1	374721044
PCB1	C6916	TF C	ECQ-V50V-104J	1	374721044
PCB1	C9001	MMT C	MMT50V-334J	1	375523344
PCB1	C9003	VR C	CE04W35V-1000M(VR)	1	394661027S
PCB1	C9004	VR C	CE04W35V-1000M(VR)	1	394661027S
PCB1	R5000	CARBON R	R16J-1K	1	417341024
PCB1	R5001	CARBON R	R16J-1K	1	417341024
PCB1	R5002	CARBON R	R16J-1K	1	417341024
PCB1	R5003	CARBON R	R16J-1K	1	417341024
PCB1	R5004	CARBON R	R16J-1K	1	417341024
PCB1	R5005	CARBON R	R16J-1K	1	417341024
PCB1	R5006	CARBON R	R16J-1K	1	417341024
PCB1	R5010	CARBON R	R16J-56K	1	417345634
PCB1	R5011	CARBON R	R16J-56K	1	417345634
PCB1	R5012	CARBON R	R16J-56K	1	417345634
PCB1	R5013	CARBON R	R16J-56K	1	417345634
PCB1	R5014	CARBON R	R16J-56K	1	417345634
PCB1	R5015	CARBON R	R16J-56K	1	417345634
PCB1	R5016	CARBON R	R16J-56K	1	417345634
PCB1	R5020	CARBON R	R16J-330	1	417343314
PCB1	R5021	CARBON R	R16J-330	1	417343314
PCB1	R5022	CARBON R	R16J-330	1	417343314
PCB1	R5023	CARBON R	R16J-330	1	417343314
PCB1	R5024	CARBON R	R16J-330	1	417343314
PCB1	R5025	CARBON R	R16J-330	1	417343314
PCB1	R5026	CARBON R	R16J-330	1	417343314
PCB1	R5030	CARBON R	R16J-120K	1	417341244
PCB1	R5031	CARBON R	R16J-120K	1	417341244
PCB1	R5032	CARBON R	R16J-120K	1	417341244
PCB1	R5033	CARBON R	R16J-120K	1	417341244
PCB1	R5034	CARBON R	R16J-120K	1	417341244
PCB1	R5035	CARBON R	R16J-120K	1	417341244
PCB1	R5036	CARBON R	R16J-120K	1	417341244
PCB1	R5040	CARBON R	R16J-2.2K	1	417342224
PCB1	R5041	CARBON R	R16J-2.2K	1	417342224
PCB1	R5042	CARBON R	R16J-2.2K	1	417342224
PCB1	R5043	CARBON R	R16J-2.2K	1	417342224
PCB1	R5044	CARBON R	R16J-2.2K	1	417342224
PCB1	R5045	CARBON R	R16J-2.2K	1	417342224
PCB1	R5046	CARBON R	R16J-2.2K	1	417342224
PCB1	R5050	CARBON R	R16J-4.7K	1	417344724
PCB1	R5051	CARBON R	R16J-4.7K	1	417344724
PCB1	R5052	CARBON R	R16J-4.7K	1	417344724
PCB1	R5053	CARBON R	R16J-4.7K	1	417344724
PCB1	R5054	CARBON R	R16J-4.7K	1	417344724
PCB1	R5055	CARBON R	R16J-4.7K	1	417344724
PCB1	R5056	CARBON R	R16J-4.7K	1	417344724
PCB1	R5060	CARBON R	R16J-1.2K	1	417341224
PCB1	R5061	CARBON R	R16J-1.2K	1	417341224
PCB1	R5062	CARBON R	R16J-1.2K	1	417341224
PCB1	R5063	CARBON R	R16J-1.2K	1	417341224
PCB1	R5064	CARBON R	R16J-1.2K	1	417341224
PCB1	R5065	CARBON R	R16J-1.2K	1	417341224
PCB1	R5066	CARBON R	R16J-1.2K	1	417341224
PCB1	R5080	CARBON R	R16J-470	1	417344714
PCB1	R5081	CARBON R	R16J-470	1	417344714
PCB1	R5082	CARBON R	R16J-470	1	417344714

PCB1	R5083	CARBON R	R16J-470	1	417344714
PCB1	R5084	CARBON R	R16J-470	1	417344714
PCB1	R5085	CARBON R	R16J-470	1	417344714
PCB1	R5086	CARBON R	R16J-470	1	417344714
PCB1	R5090	CARBON R	R16J-100K	1	417341044
PCB1	R5091	CARBON R	R16J-100K	1	417341044
PCB1	R5092	CARBON R	R16J-100K	1	417341044
PCB1	R5093	CARBON R	R16J-100K	1	417341044
PCB1	R5094	CARBON R	R16J-100K	1	417341044
PCB1	R5095	CARBON R	R16J-100K	1	417341044
PCB1	R5096	CARBON R	R16J-100K	1	417341044
PCB1	R5100	CARBON R	R16J-100K	1	417341044
PCB1	R5101	CARBON R	R16J-100K	1	417341044
PCB1	R5102	CARBON R	R16J-100K	1	417341044
PCB1	R5103	CARBON R	R16J-100K	1	417341044
PCB1	R5104	CARBON R	R16J-100K	1	417341044
PCB1	R5105	CARBON R	R16J-100K	1	417341044
PCB1	R5106	CARBON R	R16J-100K	1	417341044
PCB1	R5110	CARBON R	R16J-1K	1	417341024
PCB1	R5111	CARBON R	R16J-1K	1	417341024
PCB1	R5112	CARBON R	R16J-1K	1	417341024
PCB1	R5113	CARBON R	R16J-1K	1	417341024
PCB1	R5114	CARBON R	R16J-1K	1	417341024
PCB1	R5115	CARBON R	R16J-1K	1	417341024
PCB1	R5116	CARBON R	R16J-1K	1	417341024
PCB1	R5130	CARBON R	R16J-18K	1	417341834
PCB1	R5131	CARBON R	R16J-18K	1	417341834
PCB1	R5132	CARBON R	R16J-18K	1	417341834
PCB1	R5133	CARBON R	R16J-22K	1	417342234
PCB1	R5134	CARBON R	R16J-22K	1	417342234
PCB1	R5135	CARBON R	R16J-22K	1	417342234
PCB1	R5136	CARBON R	R16J-22K	1	417342234
PCB1	R5160	NF CARBON R	R25J-100	1	415471014
PCB1	R5161	NF CARBON R	R25J-100	1	415471014
PCB1	R5162	NF CARBON R	R25J-100	1	415471014
PCB1	R5163	NF CARBON R	R25J-100	1	415471014
PCB1	R5164	NF CARBON R	R25J-100	1	415471014
PCB1	R5165	NF CARBON R	R25J-100	1	415471014
PCB1	R5166	NF CARBON R	R25J-100	1	415471014
PCB1	R5170	NF CARBON R	R25J-100	1	415471014
PCB1	R5171	NF CARBON R	R25J-100	1	415471014
PCB1	R5172	NF CARBON R	R25J-100	1	415471014
PCB1	R5173	NF CARBON R	R25J-100	1	415471014
PCB1	R5174	NF CARBON R	R25J-100	1	415471014
PCB1	R5175	NF CARBON R	R25J-100	1	415471014
PCB1	R5176	NF CARBON R	R25J-100	1	415471014
PCB1	R5180	NF CARBON R	R25J-10	1	415471004
PCB1	R5181	NF CARBON R	R25J-10	1	415471004
PCB1	R5182	NF CARBON R	R25J-10	1	415471004
PCB1	R5183	NF CARBON R	R25J-10	1	415471004
PCB1	R5184	NF CARBON R	R25J-10	1	415471004
PCB1	R5185	NF CARBON R	R25J-10	1	415471004
PCB1	R5186	NF CARBON R	R25J-10	1	415471004
PCB1	R5190	NF CARBON R	R25J-10	1	415471004
PCB1	R5191	NF CARBON R	R25J-10	1	415471004
PCB1	R5192	NF CARBON R	R25J-10	1	415471004
PCB1	R5193	NF CARBON R	R25J-10	1	415471004
PCB1	R5194	NF CARBON R	R25J-10	1	415471004
PCB1	R5195	NF CARBON R	R25J-10	1	415471004
PCB1	R5196	NF CARBON R	R25J-10	1	415471004
PCB1	R5200	CARBON R	R16J-18K	1	417341834
PCB1	R5201	CARBON R	R16J-18K	1	417341834

PCB1	R5202	CARBON R	R16J-18K	1	417341834	
PCB1	R5203	CARBON R	R16J-22K	1	417342234	
PCB1	R5204	CARBON R	R16J-22K	1	417342234	
PCB1	R5205	CARBON R	R16J-22K	1	417342234	
PCB1	R5206	CARBON R	R16J-22K	1	417342234	
PCB1	R5230	CARBON R	R16J-120K	1	417341244	
PCB1	R5231	CARBON R	R16J-120K	1	417341244	
PCB1	R5232	CARBON R	R16J-120K	1	417341244	
PCB1	R5233	CARBON R	R16J-120K	1	417341244	
PCB1	R5234	CARBON R	R16J-120K	1	417341244	
PCB1	R5235	CARBON R	R16J-120K	1	417341244	
PCB1	R5236	CARBON R	R16J-120K	1	417341244	
PCB1	R5500	C-CARBON R	RN72K1J-331JE	1	435033314R1	
PCB1	R5503	C-CARBON R	RN72K1J-331JE	1	435033314R1	
PCB1	R5504	C-CARBON R	RN72K1J-331JE	1	435033314R1	
PCB1	R5505	C-CARBON R	RN72K1J-331JE	1	435033314R1	
PCB1	R5506	C-CARBON R	RN72K1J-331JE	1	435033314R1	
PCB1	R5507	C-CARBON R	RN72K1J-331JE	1	435033314R1	
PCB1	R5508	C-CARBON R	RN72K1J-331JE	1	435033314R1	
PCB1	R5513	C-CARBON R	RN72K1J-331JE	1	435033314R1	
PCB1	R5514	C-CARBON R	RN72K1J-331JE	1	435033314R1	
PCB1	R5515	C-CARBON R	RN72K1J-331JE	1	435033314R1	
PCB1	R5516	C-CARBON R	RN72K1J-331JE	1	435033314R1	
PCB1	R5517	C-CARBON R	RN72K1J-331JE	1	435033314R1	
PCB1	R5518	C-CARBON R	RN72K1J-331JE	1	435033314R1	
PCB1	R5519	C-CARBON R	RN72K1J-331JE	1	435033314R1	
PCB1	R5520	C-CARBON R	RN72K1J-331JE	1	435033314R1	
PCB1	R5521	C-CARBON R	RN72K1J-331JE	1	435033314R1	
PCB1	R5522	C-CARBON R	RN72K1J-331JE	1	435033314R1	
PCB1	R5523	C-CARBON R	RN72K1J-331JE	1	435033314R1	
PCB1	R5524	C-CARBON R	RN72K1J-331JE	1	435033314R1	
PCB1	R5525	C-CARBON R	RN72K1J-331JE	1	435033314R1	
PCB1	R5526	C-CARBON R	RN72K1J-331JE	1	435033314R1	
PCB1	R5531	C-CARBON R	RN72K1J-101JE	1	435031014R1	
PCB1	R5541	C-CARBON R	RN72K1J-224JE	1	435032244R1	
PCB1	R5542	C-CARBON R	RN72K1J-224JE	1	435032244R1	
PCB1	R5543	C-CARBON R	RN72K1J-224JE	1	435032244R1	
PCB1	R5544	C-CARBON R	RN72K1J-224JE	1	435032244R1	
PCB1	R5545	C-CARBON R	RN72K1J-224JE	1	435032244R1	
PCB1	R5546	C-CARBON R	RN72K1J-224JE	1	435032244R1	
PCB1	R5547	C-CARBON R	RN72K1J-224JE	1	435032244R1	
PCB1	R5548	C-CARBON R	RN72K1J-224JE	1	435032244R1	
PCB1	R5553	C-CARBON R	RN72K1J-224JE	1	435032244R1	
PCB1	R5554	C-CARBON R	RN72K1J-224JE	1	435032244R1	
PCB1	R5555	C-CARBON R	RN72K1J-224JE	1	435032244R1	
PCB1	R5556	C-CARBON R	RN72K1J-224JE	1	435032244R1	
PCB1	R5557	C-CARBON R	RN72K1J-224JE	1	435032244R1	
PCB1	R5558	C-CARBON R	RN72K1J-224JE	1	435032244R1	
PCB1	R5559	C-CARBON R	RN72K1J-224JE	1	435032244R1	
PCB1	R5560	C-CARBON R	RN72K1J-224JE	1	435032244R1	
PCB1	R5561	C-CARBON R	RN72K1J-224JE	1	435032244R1	
PCB1	R5562	C-CARBON R	RN72K1J-224JE	1	435032244R1	
PCB1	R5563	C-CARBON R	RN72K1J-224JE	1	435032244R1	
PCB1	R5564	C-CARBON R	RN72K1J-224JE	1	435032244R1	
PCB1	R5565	C-CARBON R	RN72K1J-224JE	1	435032244R1	
PCB1	R5566	C-CARBON R	RN72K1J-224JE	1	435032244R1	
PCB1	R5575	C-CARBON R	RN72K1J-224JE	1	435032244R1	
PCB1	R5576	C-CARBON R	RN72K1J-224JE	1	435032244R1	
PCB1	R5577	C-CARBON R	RN72K1J-473JE	1	435034734R1	
PCB1	R5578	C-CARBON R	RN72K1J-473JE	1	435034734R1	
PCB1	R5580	C-CARBON R	RN72K1J-224JE	1	435032244R1	<DD, DC>
PCB1	R5581	C-CARBON R	RN72K1J-224JE	1	435032244R1	<DD, DC>

PCB1	R5582	C-CARBON R	RN72K1J-224JE	1	435032244R1	<DD, DC>
PCB1	R5583	C-CARBON R	RN72K1J-224JE	1	435032244R1	<DD, DC>
PCB1	R5585	C-CARBON R	RN72K1J-182JE	1	435031824R1	
PCB1	R5586	C-CARBON R	RN72K1J-182JE	1	435031824R1	
PCB1	R5587	C-CARBON R	RN72K1J-103JE	1	435031034R1	
PCB1	R5588	C-CARBON R	RN72K1J-103JE	1	435031034R1	
PCB1	R5589	CARBON R	R16J-1K	1	417341024	
PCB1	R5590	C-CARBON R	RN72K1J-103JE	1	435031034R1	
PCB1	R5591	C-CARBON R	RN72K1J-103JE	1	435031034R1	
PCB1	R5592	C-CARBON R	RN72K1J-471JE	1	435034714R1	
PCB1	R5593	C-CARBON R	RN72K1J-122JE	1	435031224R1	
PCB1	R5594	C-CARBON R	RN72K1J-103JE	1	435031034R1	
PCB1	R5595	C-CARBON R	RN72K1J-103JE	1	435031034R1	
PCB1	R5596	C-CARBON R	RN72K1J-471JE	1	435034714R1	
PCB1	R5597	C-CARBON R	RN72K1J-122JE	1	435031224R1	
PCB1	R5598	C-CARBON R	RN72K1J-103JE	1	435031034R1	
PCB1	R5599	C-CARBON R	RN72K1J-103JE	1	435031034R1	
PCB1	R5600	C-CARBON R	RN72K1J-224JE	1	435032244R1	
PCB1	R5601	C-CARBON R	RN72K1J-224JE	1	435032244R1	
PCB1	R5602	C-CARBON R	RN72K1J-224JE	1	435032244R1	
PCB1	R5603	C-CARBON R	RN72K1J-224JE	1	435032244R1	
PCB1	R5604	C-CARBON R	RN72K1J-224JE	1	435032244R1	
PCB1	R5605	C-CARBON R	RN72K1J-224JE	1	435032244R1	
PCB1	R5606	C-CARBON R	RN72K1J-224JE	1	435032244R1	
PCB1	R5607	C-CARBON R	RN72K1J-224JE	1	435032244R1	
PCB1	R5610	C-CARBON R	RN72K1J-271JE	1	435032714R1	
PCB1	R5611	C-CARBON R	RN72K1J-222JE	1	435032224R1	
PCB1	R5612	C-CARBON R	RN72K1J-222JE	1	435032224R1	
PCB1	R5613	C-CARBON R	RN72K1J-222JE	1	435032224R1	
PCB1	R5614	C-CARBON R	RN72K1J-222JE	1	435032224R1	
PCB1	R5615	C-CARBON R	RN72K1J-222JE	1	435032224R1	
PCB1	R5616	C-CARBON R	RN72K1J-222JE	1	435032224R1	
PCB1	R5617	C-CARBON R	RN72K1J-222JE	1	435032224R1	
PCB1	R5620	C-CARBON R	RN72K1J-101JE	1	435031014R1	
PCB1	R5621	C-CARBON R	RN72K1J-000JE	1	435030004R1	
PCB1	R5622	C-CARBON R	RN72K1J-000JE	1	435030004R1	
PCB1	R5623	C-CARBON R	RN72K1J-000JE	1	435030004R1	
PCB1	R5624	C-CARBON R	RN72K1J-000JE	1	435030004R1	
PCB1	R5625	C-CARBON R	RN72K1J-000JE	1	435030004R1	
PCB1	R5626	C-CARBON R	RN72K1J-000JE	1	435030004R1	
PCB1	R5627	C-CARBON R	RN72K1J-000JE	1	435030004R1	
PCB1	R5630	C-CARBON R	RN72K1J-221JE	1	435032214R1	
PCB1	R5631	C-CARBON R	RN72K1J-473JE	1	435034734R1	
PCB1	R5632	C-CARBON R	RN72K1J-153JE	1	435031534R1	
PCB1	R5633	C-CARBON R	RN72K1J-122JE	1	435031224R1	
PCB1	R5634	C-CARBON R	RN72K1J-103JE	1	435031034R1	
PCB1	R5660	METAL R	RNU1WCJ-2.2	1	453630224	
PCB1	R5661	METAL R	RNU1WCJ-2.2	1	453630224	
PCB1	R5666	CARBON R	R16J-22	1	417342204	
PCB1	R5667	CARBON R	R16J-22	1	417342204	
PCB1	R5670	METAL O R	RS2WBJ-47	1	441724704F	
PCB1	R5671	METAL O R	RS2WBJ-68	1	441726804F	
PCB1	R5672	METAL O R	RS2WBJ-47	1	441724704F	
PCB1	R5673	METAL O R	RS2WBJ-68	1	441726804F	
PCB1	R5674	METAL O R	RS1WBJ-82	1	443628204	
PCB1	R5675	METAL O R	RS1WBJ-82	1	443628204	
PCB1	R5681	C-CARBON R	RN72K1J-224JE	1	435032244R1	
PCB1	R5814	C-CARBON R	RN72K1J-000JE	1	435030004R1	
PCB1	R5820	C-CARBON R	RN72K1J-000JE	1	435030004R1	
PCB1	R5822	C-CARBON R	RN72K1J-000JE	1	435030004R1	
PCB1	R5823	C-CARBON R	RN72K1J-000JE	1	435030004R1	
PCB1	R6000	CARBON R	R16J-5.6K	1	417345624	

PCB1	R6001	CARBON R	R16J-5.6K	1	417345624
PCB1	R6002	CARBON R	R16J-5.6K	1	417345624
PCB1	R6003	CARBON R	R16J-5.6K	1	417345624
PCB1	R6004	CARBON R	R16J-5.6K	1	417345624
PCB1	R6005	CARBON R	R16J-5.6K	1	417345624
PCB1	R6006	CARBON R	R16J-5.6K	1	417345624
PCB1	R6010	CARBON R	R16J-3.9K	1	417343924
PCB1	R6011	CARBON R	R16J-3.9K	1	417343924
PCB1	R6012	CARBON R	R16J-3.9K	1	417343924
PCB1	R6013	CARBON R	R16J-3.9K	1	417343924
PCB1	R6014	CARBON R	R16J-3.9K	1	417343924
PCB1	R6015	CARBON R	R16J-3.9K	1	417343924
PCB1	R6016	CARBON R	R16J-3.9K	1	417343924
PCB1	R6020	NF CARBON R	R25J-2.2	1	415470224
PCB1	R6021	NF CARBON R	R25J-2.2	1	415470224
PCB1	R6022	NF CARBON R	R25J-2.2	1	415470224
PCB1	R6023	NF CARBON R	R25J-2.2	1	415470224
PCB1	R6024	NF CARBON R	R25J-2.2	1	415470224
PCB1	R6025	NF CARBON R	R25J-2.2	1	415470224
PCB1	R6026	NF CARBON R	R25J-2.2	1	415470224
PCB1	R6030	CARBON R	R16J-470	1	417344714
PCB1	R6031	CARBON R	R16J-470	1	417344714
PCB1	R6032	CARBON R	R16J-470	1	417344714
PCB1	R6033	CARBON R	R16J-470	1	417344714
PCB1	R6034	CARBON R	R16J-470	1	417344714
PCB1	R6035	CARBON R	R16J-470	1	417344714
PCB1	R6036	CARBON R	R16J-470	1	417344714
PCB1	R6040	TRIM R	N06HR2KBC	1	5210390
PCB1	R6041	TRIM R	N06HR2KBC	1	5210390
PCB1	R6042	TRIM R	N06HR2KBC	1	5210390
PCB1	R6043	TRIM R	N06HR2KBC	1	5210390
PCB1	R6044	TRIM R	N06HR2KBC	1	5210390
PCB1	R6045	TRIM R	N06HR2KBC	1	5210390
PCB1	R6046	TRIM R	N06HR2KBC	1	5210390
PCB1	R6050	CARBON R	R16J-3.3K	1	417343324
PCB1	R6051	CARBON R	R16J-3.3K	1	417343324
PCB1	R6052	CARBON R	R16J-3.3K	1	417343324
PCB1	R6053	CARBON R	R16J-3.3K	1	417343324
PCB1	R6054	CARBON R	R16J-3.3K	1	417343324
PCB1	R6055	CARBON R	R16J-3.3K	1	417343324
PCB1	R6056	CARBON R	R16J-3.3K	1	417343324
PCB1	R6070	NF CARBON R	R25J-82	1	415478204
PCB1	R6071	NF CARBON R	R25J-82	1	415478204
PCB1	R6072	NF CARBON R	R25J-82	1	415478204
PCB1	R6073	NF CARBON R	R25J-100	1	415471014
PCB1	R6074	NF CARBON R	R25J-100	1	415471014
PCB1	R6075	NF CARBON R	R25J-100	1	415471014
PCB1	R6076	NF CARBON R	R25J-100	1	415471014
PCB1	R6080	NF CARBON R	R25J-0.22	1	415472294
PCB1	R6081	NF CARBON R	R25J-0.22	1	415472294
PCB1	R6082	NF CARBON R	R25J-0.22	1	415472294
PCB1	R6083	NF CARBON R	R25J-0.22	1	415472294
PCB1	R6084	NF CARBON R	R25J-0.22	1	415472294
PCB1	R6085	NF CARBON R	R25J-0.22	1	415472294
PCB1	R6086	NF CARBON R	R25J-0.22	1	415472294
PCB1	R6090	NF CARBON R	R25J-0.22	1	415472294
PCB1	R6091	NF CARBON R	R25J-0.22	1	415472294
PCB1	R6092	NF CARBON R	R25J-0.22	1	415472294
PCB1	R6093	NF CARBON R	R25J-0.22	1	415472294
PCB1	R6094	NF CARBON R	R25J-0.22	1	415472294
PCB1	R6095	NF CARBON R	R25J-0.22	1	415472294
PCB1	R6096	NF CARBON R	R25J-0.22	1	415472294

PCB1	R6100	METAL PR	MPR2W+2W 0R22	1	4000234
PCB1	R6100 or	OTHER R	RGC22-0.22 OHMK	(1)	4000131
PCB1	R6100 or	METAL PR	MPC708-2WK-0.22	(1)	4500027
PCB1	R6101	METAL PR	MPR2W+2W 0R22	1	4000234
PCB1	R6101 or	OTHER R	RGC22-0.22 OHMK	(1)	4000131
PCB1	R6101 or	METAL PR	MPC708-2WK-0.22	(1)	4500027
PCB1	R6102	METAL PR	MPR2W+2W 0R22	1	4000234
PCB1	R6102 or	OTHER R	RGC22-0.22 OHMK	(1)	4000131
PCB1	R6102 or	METAL PR	MPC708-2WK-0.22	(1)	4500027
PCB1	R6103	METAL PR	MPR2W+2W 0R22	1	4000234
PCB1	R6103 or	OTHER R	RGC22-0.22 OHMK	(1)	4000131
PCB1	R6103 or	METAL PR	MPC708-2WK-0.22	(1)	4500027
PCB1	R6104	METAL PR	MPR2W+2W 0R22	1	4000234
PCB1	R6104 or	OTHER R	RGC22-0.22 OHMK	(1)	4000131
PCB1	R6104 or	METAL PR	MPC708-2WK-0.22	(1)	4500027
PCB1	R6105	METAL PR	MPR2W+2W 0R22	1	4000234
PCB1	R6105 or	OTHER R	RGC22-0.22 OHMK	(1)	4000131
PCB1	R6105 or	METAL PR	MPC708-2WK-0.22	(1)	4500027
PCB1	R6106	METAL PR	MPR2W+2W 0R22	1	4000234
PCB1	R6106 or	OTHER R	RGC22-0.22 OHMK	(1)	4000131
PCB1	R6106 or	METAL PR	MPC708-2WK-0.22	(1)	4500027
PCB1	R6130	METAL R	RNU1WCJ-8.2	1	453630824
PCB1	R6131	METAL R	RNU1WCJ-8.2	1	453630824
PCB1	R6132	METAL R	RNU1WCJ-8.2	1	453630824
PCB1	R6133	METAL R	RNU1WCJ-8.2	1	453630824
PCB1	R6134	METAL R	RNU1WCJ-8.2	1	453630824
PCB1	R6135	METAL R	RNU1WCJ-8.2	1	453630824
PCB1	R6136	METAL R	RNU1WCJ-8.2	1	453630824
PCB1	R6140	C-CARBON R	RN72K1J-223JE	1	435032234R1
PCB1	R6141	C-CARBON R	RN72K1J-223JE	1	435032234R1
PCB1	R6142	C-CARBON R	RN72K1J-223JE	1	435032234R1
PCB1	R6143	C-CARBON R	RN72K1J-223JE	1	435032234R1
PCB1	R6144	C-CARBON R	RN72K1J-223JE	1	435032234R1
PCB1	R6145	C-CARBON R	RN72K1J-223JE	1	435032234R1
PCB1	R6146	C-CARBON R	RN72K1J-223JE	1	435032234R1
PCB1	R6150	C-CARBON R	RN72K1J-123JE	1	435031234R1
PCB1	R6151	C-CARBON R	RN72K1J-123JE	1	435031234R1
PCB1	R6152	C-CARBON R	RN72K1J-123JE	1	435031234R1
PCB1	R6153	C-CARBON R	RN72K1J-123JE	1	435031234R1
PCB1	R6154	C-CARBON R	RN72K1J-123JE	1	435031234R1
PCB1	R6155	C-CARBON R	RN72K1J-123JE	1	435031234R1
PCB1	R6156	C-CARBON R	RN72K1J-123JE	1	435031234R1
PCB1	R6160	CARBON R	R16J-33K	1	417343334
PCB1	R6161	CARBON R	R16J-33K	1	417343334
PCB1	R6162	CARBON R	R16J-33K	1	417343334
PCB1	R6163	CARBON R	R16J-33K	1	417343334
PCB1	R6164	CARBON R	R16J-33K	1	417343334
PCB1	R6165	CARBON R	R16J-33K	1	417343334
PCB1	R6166	CARBON R	R16J-33K	1	417343334
PCB1	R6170	CARBON R	R16J-47K	1	417344734
PCB1	R6171	CARBON R	R16J-47K	1	417344734
PCB1	R6172	CARBON R	R16J-47K	1	417344734
PCB1	R6173	CARBON R	R16J-47K	1	417344734
PCB1	R6174	CARBON R	R16J-47K	1	417344734
PCB1	R6175	CARBON R	R16J-47K	1	417344734
PCB1	R6176	CARBON R	R16J-47K	1	417344734
PCB1	R6180	CARBON R	R16J-47K	1	417344734
PCB1	R6181	CARBON R	R16J-47K	1	417344734
PCB1	R6182	CARBON R	R16J-47K	1	417344734
PCB1	R6183	CARBON R	R16J-47K	1	417344734
PCB1	R6184	CARBON R	R16J-47K	1	417344734
PCB1	R6185	CARBON R	R16J-47K	1	417344734

PCB1	R6186	CARBON R	R16J-47K	1	417344734	
PCB1	R6190	C-CARBON R	RN72K1J-224JE	1	435032244R1	
PCB1	R6191	C-CARBON R	RN72K1J-224JE	1	435032244R1	
PCB1	R6192	C-CARBON R	RN72K1J-224JE	1	435032244R1	
PCB1	R6193	C-CARBON R	RN72K1J-224JE	1	435032244R1	
PCB1	R6194	C-CARBON R	RN72K1J-224JE	1	435032244R1	
PCB1	R6195	C-CARBON R	RN72K1J-224JE	1	435032244R1	
PCB1	R6196	C-CARBON R	RN72K1J-224JE	1	435032244R1	
PCB1	R6197	METAL R	RNU1WCJ-8.2	1	453630824	
PCB1	R6701	C-CARBON R	RN72K1J-223JE	1	435032234R1	
PCB1	R6702	C-CARBON R	RN72K1J-103JE	1	435031034R1	
PCB1	R6704	C-CARBON R	RN72K1J-473JE	1	435034734R1	
PCB1	R6706	C-CARBON R	RN72K1J-224JE	1	435032244R1	
PCB1	R6708	C-CARBON R	RN72K1J-333JE	1	435033334R1	
PCB1	R6709	C-CARBON R	RN72K1J-562JE	1	435035624R1	
PCB1	R6710	C-CARBON R	RN72K1J-333JE	1	435033334R1	
PCB1	R6902	C-CARBON R	RN72K1J-102JE	1	435031024R1	
PCB1	R6903	C-CARBON R	RN72K1J-473JE	1	435034734R1	
PCB1	RL6901	RELAY	NRL-1P10A-DC12-140	1	25065584	!
PCB1	RL6901 or	RELAY	NRL-1P10A-DC12-143	(1)	25065588	!
PCB1	RL6902	RELAY	NRL-1P10A-DC12-140	1	25065584	!
PCB1	RL6902 or	RELAY	NRL-1P10A-DC12-143	(1)	25065588	!
PCB1	P302	PLUG	NPLG-14P0969	1	25056019	
PCB1	P303	PLUG	NPLG-14P0969	1	25056019	
PCB1	P304	PLUG	NPLG-14P0969	1	25056008	
PCB1	P5505	TRM(SCREW)	M3	1	25065425	
PCB1	P6002	TRM	NTM-4PDML365	1	25060436	
PCB1	P6080	PLUG	NPLG-2P29	1	25055038	
PCB1	P6081	PLUG	NPLG-2P29	1	25055038	
PCB1	P6082	PLUG	NPLG-2P29	1	25055038	
PCB1	P6083	PLUG	NPLG-2P29	1	25055038	
PCB1	P6084	PLUG	NPLG-2P29	1	25055038	
PCB1	P6085	PLUG	NPLG-2P29	1	25055038	
PCB1	P6086	PLUG	NPLG-2P29	1	25055038	
PCB1	P6900	CRIMP AS	CRIMP AS	1	20799162UL	
PCB1	P6901	CRIMP AS	CRIMP AS	1	2069925226UL	
PCB1	P6902	CRIMP AS	CRIMP AS	1	2069925189UL	
PCB1	P6903	CRIMP AS	CRIMP AS	1	20799163UL	
PCB1	P6904	CRIMP AS	CRIMP AS	1	20799164UL	
PCB1	P6911	RETAINER	(BUS)	1	27142022	
PCB1	P7900	ST JACK	LGY2502-0200FC	1	25045696	
PCB1	P7902	PIN JACK	NPJ-6PDWWWRRR561	1	25045779	
PCB1	P7902 or	PIN JACK	NPJ-6PDBL159	(1)	25045300	
PCB1	P7904	PIN JACK	NPJ-6PDWWWRRR561	1	25045779	
PCB1	P7904 or	PIN JACK	NPJ-6PDBL159	(1)	25045300	
PCB1	P7905	PIN JACK	NPJ-4PDWLRE642	1	25045866	
PCB1	P7906	PIN JACK	NPJ-4PDGNPT643	1	25045867	
PCB1	P7908	PIN JACK	NPJ-1PDP555	1	25045773	
PCB1	F6901A	FUSE HOL	NSCT-1P2031	1	25052133	!
PCB1	F6901B	FUSE HOL	NSCT-1P2031	1	25052133	!
PCB1	F6902A	FUSE HOL	NSCT-1P2031	1	25052133	!
PCB1	F6902B	FUSE HOL	NSCT-1P2031	1	25052133	!
PCB1	J5500	PVC	1007#24 .2/7HAND B	1	---	NSP
PCB1	J5500 or	PVC	1007#24 .2/7HAND R	(1)	---	NSP
PCB1	JL5502	JUMPER LEAD	JL7 400 B	1	---	NSP, <DD, DC>
PCB1	JL5502A	WIRE HOL	NSCT-7P878	1	25051091	<DD, DC>
PCB1	JL6402	JUMPER LEAD	JL3 300 B	1	---	NSP
PCB1	JL6402A	WIRE HOL	NSCT-3P874	1	25051087	
PCB1	JL6600	JUMPER LEAD	JL7 200 H	1	---	NSP
PCB1	JL6600A	WIRE HOL	NSCT-7P898	1	25051111	
PCB1	JL6603	JUMPER LEAD	JL9 200 H	1	---	NSP
PCB1	JL6603A	WIRE HOL	NSCT-9P900	1	25051113	

PCB1	JL6604	JUMPER LEAD	JL4 200 H	1	---	NSP
PCB1	JL6604A	WIRE HOL	NSCT-4P895	1	25051108	
PCB1	JL6952	JUMPER LEAD	JL4 150 H	1	---	NSP
PCB1	JL6952A	WIRE HOL	NSCT-4P895	1	25051108	
PCB1	JL6952B	WIRE HOL	NSCT-4P895	1	25051108	
PCB2	U05	DISPLY PC BOARD (NADIS-8785-1A/ 1B)				
PCB2	U06	SWITCH PC BOARD (NADIS-8786-1A/ 1B)				
PCB2	U07	POWER SUPPLY PC BOARD (NAPS-8787-1A/ 1B)				
PCB2	U08	TRANS SEC. TERMINAL PC BOARD (NAETC-8788-1A/ 1B)				
PCB2	U10	HEADPHONE JACK PC BOARD (NAETC-8790-1A/ 1B)				
PCB2						
PCB2	CIRCUIT NO	PART NAME	DESCRIPTION	Q'TY	PART NO. (SN)	REMARKS
PCB2	U7041	REMO SENS	NJL34H380A	1	241365	
PCB2	Q7001	FL TUBE	16-BT-128GNYK	1	212258A	
PCB2	Q7001A	HOLDER	(FL)	1	27191222B	
PCB2	Q7003	IC	M66005-0001AHP	1	22242208R3	
PCB2	Q7004	TR	2SC2458-GR	1	2212115	
PCB2	Q7004 or	TR	2SC1740S-R	(1)	2213284	
PCB2	Q7004 or	TR	2SC1740S-S	(1)	2213285	
PCB2	Q7151	TR	KRA102M	1	2215770	<PA>
PCB2	Q7151 or	TR	DTA114ES	(1)	2213510	<PA>
PCB2	D911	DIODE	ISS133(DS)	1	223280	
PCB2	D911 or	DIODE	ISS133	(1)	223163	
PCB2	D912	DIODE	ISS133(DS)	1	223280	
PCB2	D912 or	DIODE	ISS133	(1)	223163	
PCB2	D921	DIODE	ISS133(DS)	1	223280	
PCB2	D921 or	DIODE	ISS133	(1)	223163	
PCB2	D922	DIODE	ISS133(DS)	1	223280	
PCB2	D922 or	DIODE	ISS133	(1)	223163	
PCB2	D923	DIODE	ISS133(DS)	1	223280	
PCB2	D923 or	DIODE	ISS133	(1)	223163	
PCB2	D924	DIODE	ISS133(DS)	1	223280	
PCB2	D924 or	DIODE	ISS133	(1)	223163	
PCB2	D925	DIODE	ISS133(DS)	1	223280	
PCB2	D925 or	DIODE	ISS133	(1)	223163	
PCB2	D930	DIODE	ISS133(DS)	1	223280	
PCB2	D930 or	DIODE	ISS133	(1)	223163	
PCB2	D931	DIODE	ISS133(DS)	1	223280	
PCB2	D931 or	DIODE	ISS133	(1)	223163	
PCB2	D933	DIODE	ISS133(DS)	1	223280	
PCB2	D933 or	DIODE	ISS133	(1)	223163	
PCB2	D934	ZENER D	DZ-5.1BSB	1	224850512	
PCB2	D934 or	ZENER D	MTZJ5.1B	(1)	224470512	
PCB2	D935	DIODE	ISS133(DS)	1	223280	
PCB2	D935 or	DIODE	ISS133	(1)	223163	
PCB2	D7002	ZENER D	DZ-8.2BSC	1	224850823	
PCB2	D7002 or	ZENER D	MTZJ8.2C	(1)	224470823	
PCB2	D7151	LED	SLI-343URC-TE7	1	225449	
PCB2	D7153	LED	SDPB3DD0C	1	225464	<PA>
PCB2	T902	P TRANS	NPT-1520JQ	1	2301812	!, <DD, DC>
PCB2	T902	P TRANS	NPT-1519GQ	1	2301811	!, <PA>
PCB2	L7031	CHOKE COIL	NCH-1452 022M	1	233454M022	
PCB2	L7031 or	CHOKE COIL	NCH-1561 022K	(1)	233526K022	
PCB2	L7201	CHOKE COIL	NCH-1452 022M	1	233454M022	
PCB2	L7201 or	CHOKE COIL	NCH-1561 022K	(1)	233526K022	
PCB2	L7202	CHOKE COIL	NCH-1452 022M	1	233454M022	
PCB2	L7202 or	CHOKE COIL	NCH-1561 022K	(1)	233526K022	
PCB2	L7203	CHOKE COIL	NCH-1452 022M	1	233454M022	
PCB2	L7203 or	CHOKE COIL	NCH-1561 022K	(1)	233526K022	
PCB2	C901	IS C	ECQU2A103MLC	1	3800039S	!
PCB2	C901 or	IS C	RE275V-103M	(1)	3500196S	!

PCB2	C901 or	IS C	LE103-C3.5	(1)	3800042S	!
PCB2	C902	TF C	ECQ-V50V-104J	1	374721044	
PCB2	C911	TF C	ECQ-B50V-102J	1	374721024	
PCB2	C921	CERA C	CK45F50V-223Z	1	335622230	
PCB2	C922	VR C	CE04W25V-2200M(VR)	1	394652227S	
PCB2	C930	VR C	CE04W35V-100M(VR)	1	394661017	
PCB2	C933	VR C	CE04W50V-4.7M(VR)	1	394680477	
PCB2	C7001	CERA C	CK45F50V-223Z	1	335622230	
PCB2	C7002	MMT C	MMT50V-104J	1	375521044	
PCB2	C7003	CERA C	CC45SL50V-101J	1	345021014	
PCB2	C7004	CERA C	CC45SL50V-101J	1	345021014	
PCB2	C7005	CERA C	CC45SL50V-101J	1	345021014	
PCB2	C7007	CERA C	CC45SL50V-101J	1	345021014	
PCB2	C7008	ELECT C	CE04W6.3V-100M	1	355721019	
PCB2	C7009	MMT C	MMT50V-104J	1	375521044	
PCB2	C7010	CERA C	CK45F50V-223Z	1	335622230	
PCB2	C7011	CERA C	CK45F50V-223Z	1	335622230	
PCB2	C7012	CERA C	CK45F50V-223Z	1	335622230	
PCB2	C7013	ELECT C	CE04W50V-33M	1	355783309	
PCB2	C7014	CERA C	CK45F50V-223Z	1	335622230	
PCB2	C7015	ELECT C	CE04W16V-100M	1	355741019	
PCB2	C7021	CERA C	CK45F50V-103Z	1	335621030	
PCB2	C7022	CERA C	CK45F50V-103Z	1	335621030	
PCB2	C7041	ELECT C	CE04W6.3V-100M(S)	1	353721019	
PCB2	C7043	CERA C	CK45B50V-102K	1	335321025	
PCB2	C7201	TF C	ECQ-B50V-102J	1	374721024	
PCB2	C7202	TF C	ECQ-B50V-102J	1	374721024	
PCB2	C7203	TF C	ECQ-B50V-102J	1	374721024	
PCB2	C7204	TF C	ECQ-B50V-102J	1	374721024	
PCB2	C7301	TF C	ECQ-B50V-471J	1	374724714	
PCB2	C7302	TF C	ECQ-B50V-471J	1	374724714	
PCB2	C7303	MMT C	MMT50V-104J	1	375521044	
PCB2	C7304	MMT C	5A-T/UL-ST2	1	375521044	
PCB2	C7305	MMT C	MMT50V-104J	1	375521044	
PCB2	R921	METAL O R	RS1/2WBJ-56	1	443525604	
PCB2	R934	CARBON R	R16J-100K	1	417341044	
PCB2	R7001	CARBON R	R16J-100K	1	417341044	
PCB2	R7002	CARBON R	R16J-3.3K	1	417343324	
PCB2	R7003	CARBON R	R16J-3.3K	1	417343324	
PCB2	R7004	CARBON R	R16J-220	1	417342214	
PCB2	R7005	CARBON R	R16J-220	1	417342214	
PCB2	R7006	CARBON R	R16J-27K	1	417342734	
PCB2	R7007	CARBON R	R16J-220	1	417342214	
PCB2	R7008	CARBON R	R16J-220	1	417342214	
PCB2	R7021	CARBON R	R16J-10K	1	417341034	
PCB2	R7022	CARBON R	R16J-10K	1	417341034	
PCB2	R7023	CARBON R	R16J-10K	1	417341034	
PCB2	R7024	CARBON R	R16J-10K	1	417341034	
PCB2	R7041	CARBON R	R16J-100	1	417341014	
PCB2	R7042	CARBON R	R16J-1K	1	417341024	
PCB2	R7101	CARBON R	R16J-330	1	417343314	
PCB2	R7102	CARBON R	R16J-470	1	417344714	
PCB2	R7103	CARBON R	R16J-560	1	417345614	
PCB2	R7104	CARBON R	R16J-820	1	417348214	
PCB2	R7105	CARBON R	R16J-1.2K	1	417341224	
PCB2	R7106	CARBON R	R16J-2.2K	1	417342224	
PCB2	R7107	CARBON R	R16J-330	1	417343314	
PCB2	R7108	CARBON R	R16J-470	1	417344714	
PCB2	R7109	CARBON R	R16J-560	1	417345614	
PCB2	R7110	CARBON R	R16J-820	1	417348214	
PCB2	R7111	CARBON R	R16J-1.2K	1	417341224	
PCB2	R7112	CARBON R	R16J-2.2K	1	417342224	

PCB2	R7113	CARBON R	R16J-3.9K	1	417343924	
PCB2	R7115	CARBON R	R16J-330	1	417343314	
PCB2	R7116	CARBON R	R16J-470	1	417344714	
PCB2	R7117	CARBON R	R16J-560	1	417345614	
PCB2	R7118	CARBON R	R16J-820	1	417348214	
PCB2	R7119	CARBON R	R16J-1.2K	1	417341224	
PCB2	R7120	CARBON R	R16J-2.2K	1	417342224	
PCB2	R7121	CARBON R	R16J-3.9K	1	417343924	
PCB2	R7122	CARBON R	R16J-12K	1	417341234	
PCB2	R7123	CARBON R	R16J-330	1	417343314	
PCB2	R7124	CARBON R	R16J-470	1	417344714	
PCB2	R7125	CARBON R	R16J-560	1	417345614	
PCB2	R7126	CARBON R	R16J-820	1	417348214	
PCB2	R7127	CARBON R	R16J-1.2K	1	417341224	
PCB2	R7128	CARBON R	R16J-2.2K	1	417342224	
PCB2	R7129	CARBON R	R16J-3.9K	1	417343924	
PCB2	R7130	CARBON R	R16J-12K	1	417341234	
PCB2	R7151	CARBON R	R16J-2.2K	1	417342224	
PCB2	R7152	CARBON R	R16J-120	1	417341214	<PA>
PCB2	R7301	CARBON R	R16J-330	1	417343314	
PCB2	R7302	CARBON R	R16J-330	1	417343314	
PCB2	R7303	CARBON R	R16J-75	1	417347504	
PCB2	R9101	METAL R	RNU1/2WCJ-0.1	1	453531094	!, <DD, DC>
PCB2	R9101	METAL R	RNU1/2WCJ-0.22	1	453532294	!, <PA>
PCB2	R9102	METAL R	RNU1/2WCJ-8.2	1	453530824	
PCB2	RL901	RELAY	NRL-1P5A-DC9-179	1	25065669	!
PCB2	S7001	R ENCODE	EC12E2425WITH WASHER	1	25065655W	
PCB2	S7001	R ENCODE	EC12E2425WITH WASHER	1	25065655W	<PA>
PCB2	S7101	PUSH SW	NPS-111-S681	1	25035718	
PCB2	S7104	PUSH SW	NPS-111-S681	1	25035718	
PCB2	S7106	PUSH SW	NPS-111-S681	1	25035718	
PCB2	S7107	PUSH SW	NPS-111-S681	1	25035718	
PCB2	S7109	PUSH SW	NPS-111-S681	1	25035718	<PA>
PCB2	S7115	PUSH SW	NPS-111-S681	1	25035718	
PCB2	S7117	PUSH SW	NPS-111-S681	1	25035718	
PCB2	S7119	PUSH SW	NPS-111-S681	1	25035718	
PCB2	S7123	PUSH SW	NPS-111-S681	1	25035718	
PCB2	S7125	PUSH SW	NPS-111-S681	1	25035718	
PCB2	S7127	PUSH SW	NPS-111-S681	1	25035718	
PCB2	S7129	PUSH SW	NPS-111-S681	1	25035718	
PCB2	S7132	PUSH SW	NPS-111-S681	1	25035718	
PCB2	S7134	PUSH SW	NPS-111-S681	1	25035718	
PCB2	S7136	PUSH SW	NPS-111-S681	1	25035718	
PCB2	S7138	PUSH SW	NPS-111-S681	1	25035718	
PCB2	S7140	PUSH SW	NPS-111-S681	1	25035718	
PCB2	S7142	PUSH SW	NPS-111-S681	1	25035718	
PCB2	S7144	PUSH SW	NPS-111-S681	1	25035718	
PCB2	S7146	PUSH SW	NPS-111-S681	1	25035718	
PCB2	S7148	PUSH SW	NPS-111-S681	1	25035718	
PCB2	S7149	PUSH SW	NPS-111-S681	1	25035718	
PCB2	S7151	PUSH SW	NPS-111-S681	1	25035718	
PCB2	S7153	PUSH SW	NPS-111-S681	1	25035718	
PCB2	S7155	PUSH SW	NPS-111-S681	1	25035718	
PCB2	S7157	PUSH SW	NPS-111-S681	1	25035718	
PCB2	S7159	PUSH SW	NPS-111-S681	1	25035718	
PCB2	S7161	PUSH SW	NPS-111-S681	1	25035718	
PCB2	S7164	PUSH SW	NPS-111-S681	1	25035718	
PCB2	S7166	PUSH SW	NPS-111-S681	1	25035718	
PCB2	P901A	PLUG	NPLG-2P631	1	25055675	!
PCB2	P901A or	PLUG	1-1123724-2	(1)	25056402	!
PCB2	P902	AC OUTLET	AC-181-UL-11V	1	25053030	!, <DD, DC>
PCB2	P902	AC OUTLET	NSCT-2P2013	1	25052115	!, <PA>

PCB2	P911	PLUG	NPLG-2P631	1	25055675	!
PCB2	P911 or	PLUG	1-1123724-2	(1)	25056402	!
PCB2	P701B	SOCKET	NSCT-26P2156	1	25052259	
PCB2	P7201	ST JACK	MSJ-064-05A SR	1	25045783	
PCB2	P7201 or	ST JACK	YKB21-5005	(1)	25045724	
PCB2	P7301	PIN JACK	NPJ-7PDB477	1	25045680	
PCB2	E901	TRM(SCREW)	M3	1	25065425	
PCB2	E7201	TRM	NTM-1P233(M1969)	1	25060302	
PCB2	E7301	RETAINER	(S)	1	27141931	
PCB2	E7601	TRM(SCREW)	M3	1	25065425	
PCB2	F901A	FUSE HOL	NSCT-1P2031	1	25052133	!
PCB2	F901B	FUSE HOL	NSCT-1P2031	1	25052133	!
PCB2	F903A	FUSE HOL	NSCT-1P2031	1	25052133	!
PCB2	F903B	FUSE HOL	NSCT-1P2031	1	25052133	!
PCB2	JL901	JUMPER LEAD	JL5 150 B	1	---	NSP
PCB2	JL901A	WIRE HOL	NSCT-5P876	1	25051089	
PCB2	JL6605	JUMPER LEAD	JL5 400 H	1	---	NSP
PCB2	JL6605A	WIRE HOL	NSCT-5P896	1	25051109	
PCB2	JL7101	JUMPER LEAD	JL8 200 H	1	---	NSP
PCB2	JL7101A	WIRE HOL	NSCT-8P899	1	25051112	
PCB2	JL7101B	WIRE HOL	NSCT-8P899	1	25051112	
PCB2	JL9101	JUMPER LEAD	JL6 300 H	1	---	NSP
PCB2	JL9101A	WIRE HOL	NSCT-6P897	1	25051110	
PCB3	U18	DSP PC BOARD (NADG-8808-1A/ 1B)				
PCB3	U19	XM DIGITAL TRANSCEIVER PC BOARD (NADG-8809-1A/ 1B)				
PCB3	U20	VIDEO & SPEAKER TERMINAL PC BOARD (NADG-8811-1A/ 1B)				
PCB3						
PCB3	CIRCUIT NO	PART NAME	DESCRIPTION	Q'TY	PART NO. (SN)	REMARKS
PCB3	U131	PHT CP	GP1FAV51RKF5	1	24120129	
PCB3	U131 or	PHT CP	JSR1165-001receiving	(1)	24120143	
PCB3	U132	PHT CP	GP1FAV51RKF5	1	24120129	
PCB3	U132 or	PHT CP	JSR1165-001receiving	(1)	24120143	
PCB3	U133	PHT CP	GP1FAV51RKF5	1	24120129	
PCB3	U133 or	PHT CP	JSR1165-001receiving	(1)	24120143	
PCB3	Q131	IC	74HCU04F	1	222740046R2	
PCB3	Q151	IC	TC74VHC541FT	1	22274541ER2TO	
PCB3	Q151 or	IC	SN74AHC541PWR	(1)	22274541IR2TI	
PCB3	Q151 or	IC	TC74VHC541FT	(1)	22274541ER2TO	
PCB3	Q152	IC	TC74HCT7007AF(EL_F)	1	222740077R2TO	
PCB3	Q171	IC	TC7WU04FU(TE12L_F)	1	22240935R2	
PCB3	Q201	IC	D707E001RFP250	1	22242309R3	
PCB3	Q281	IC	M12L16161A-7TG	1	22242278R3	
PCB3	Q281 or	IC	IC42S16100	(1)	22242123R2	
PCB3	Q281 or	IC	RMS116T(LF)	(1)	22242340R3	
PCB3	Q282	IC	ES29LV400	1	222W0045R3	
PCB3	Q301	IC	CS42518-CQZR-D	1	22242229R2	
PCB3	Q341	IC	NJM4580M-D	1	22241448R2	
PCB3	Q401	IC	NJM4580M-D	1	22241448R2	
PCB3	Q402	IC	NJM4580M-D	1	22241448R2	
PCB3	Q403	IC	NJM4580M-D	1	22241448R2	
PCB3	Q404	IC	NJM4580M-D	1	22241448R2	
PCB3	Q701	IC	M30624MWP-B16FP	1	22242365R3	
PCB3	Q710	IC	S-812C56AUA-C3K	1	22242207R2	
PCB3	Q741	IC	S18008TM	1	22242323R2	
PCB3	Q742	IC	BD7820	1	22242300R2	
PCB3	Q762	IC	TA48033AF(TE16L_NQ)	1	22278033DR2TO	
PCB3	Q762 or	IC	BA33BC0FP	(1)	22278033DR2RH	
PCB3	Q762 or	IC	NJM2391DL1-33	(1)	22278033DR2JR	
PCB3	Q2001	IC	F2602E-01	1	22242266R2	<DD, DC>
PCB3	Q2002	IC	AK4384ET	1	22242280R2	<DD, DC>
PCB3	Q2003	IC	NJM4580M-D	1	22241448R2	<DD, DC>

W0045R3189A6M101

PCB3	Q2004	IC	TA48033AF(TE16L_NQ)	1	22278033DR2TO	<DD, DC>
PCB3	Q2004 or	IC	BA33BC0FP	(1)	22278033DR2RH	<DD, DC>
PCB3	Q2004 or	IC	NJM2391DL1-33	(1)	22278033DR2JR	<DD, DC>
PCB3	Q2005	IC	78L05(NJM78L05UA)	1	222780053R2JR	<DD, DC>
PCB3	Q2006	IC	TC74VHC541FT(EL_F)	1	222740077R2TO	<DD, DC>
PCB3	Q2007	IC	TC74VHC541FT(EKJ)	1	22274541E1R2TO	<DD, DC>
PCB3	Q2007 or	IC	SN74AHC541PWR	(1)	22274541R2TI	<DD, DC>
PCB3	Q2007 or	IC	TC74VHC541FT	(1)	22274541ER2TO	<DD, DC>
PCB3	Q4001	IC	ADV7183B	1	22242202R3	
PCB3	Q4002	IC	AN15881A-VT	1	22242318R3	
PCB3	Q4003	IC	ADV7172	1	22242155R3	
PCB3	Q4006	IC	TA48018AF(TE16L_NQ)	1	22278018DR2TO	
PCB3	Q4006 or	IC	BA18BC0FP	(1)	22278018DR2RH	
PCB3	Q4007	IC	TA48033AF(TE16L_NQ)	1	22278033DR2TO	
PCB3	Q4007 or	IC	BA33BC0FP	(1)	22278033DR2RH	
PCB3	Q9021	IC	SI8008TM	1	22242323R2	
PCB3	Q9022	IC	BA00JC5WT-V5	1	222580002	
PCB3	Q9022A	SCREW	3P+10FN(3BC)	1	82143010GR	
PCB3	Q9031	IC	MPC2905HF	1	22278005DNE	
PCB3	Q9031A	SCREW	3P+10FN(3BC)	1	82143010GR	
PCB3	Q9031B	HEAT SINK	RAD-231	1	27160592	
PCB3	Q702	TR	KRC104S	1	2216210R2	
PCB3	Q702 or	TR	RN1404	(1)	2214490R2	
PCB3	Q703	TR	KRA102S	1	2216220R2	
PCB3	Q703 or	TR	RN2402	(1)	2214530R2	
PCB3	Q751	TR	KRC104S	1	2216210R2	
PCB3	Q751 or	TR	RN1404	(1)	2214490R2	
PCB3	Q752	TR	KRA102S	1	2216220R2	
PCB3	Q752 or	TR	RN2402	(1)	2214530R2	
PCB3	Q4008	TR	2SK3019	1	2216520R2	
PCB3	Q4009	TR	2SK3019	1	2216520R2	
PCB3	Q4010	TR	KRC101S	1	2216330R2	
PCB3	Q4010 or	TR	RN1401(TE85L_F)	(1)	2214460R2	
PCB3	Q4011	TR	KRA102S	1	2216220R2	
PCB3	Q4011 or	TR	RN2402	(1)	2214530R2	
PCB3	Q4011 or	TR	UNR2111	(1)	2217110R2	
PCB3	Q4012	TR	KTA1504-GR	1	2216185R2	
PCB3	Q4012 or	TR	2SA1162-GR	(1)	2214375R2	
PCB3	Q4018	TR	KRC101S	1	2216330R2	
PCB3	Q4018 or	TR	RN1401(TE85L_F)	(1)	2214460R2	
PCB3	Q6601	TR	DTC123JKA	1	2216690R2	
PCB3	Q6601 or	TR	RN1405	(1)	2214500R2	
PCB3	Q6601 or	TR	KRC105S	(1)	2217290R2	
PCB3	Q6602	TR	DTC123JKA	1	2216690R2	
PCB3	Q6602 or	TR	RN1405	(1)	2214500R2	
PCB3	Q6602 or	TR	KRC105S	(1)	2217290R2	
PCB3	Q6603	TR	DTC123JKA	1	2216690R2	
PCB3	Q6603 or	TR	RN1405	(1)	2214500R2	
PCB3	Q6603 or	TR	KRC105S	(1)	2217290R2	
PCB3	Q6604	TR	DTC123JKA	1	2216690R2	
PCB3	Q6604 or	TR	RN1405	(1)	2214500R2	
PCB3	Q6604 or	TR	KRC105S	(1)	2217290R2	
PCB3	Q9001	TR	2SC2235-Y(TPE6_F)	1	2211654T	
PCB3	Q9002	TR	DTC123JKA	1	2216690R2	
PCB3	Q9002 or	TR	5A-T/UL-ST2	(1)	2214500R2	
PCB3	Q9002 or	TR	KRC105S	(1)	2217290R2	
PCB3	D101	DIODE	RL1N4003	1	22380260	
PCB3	D101 or	DIODE	GP104003E	(1)	22380035	
PCB3	D102	DIODE	RL1N4003	1	22380260	
PCB3	D102 or	DIODE	GP104003E	(1)	22380035	
PCB3	D103	DIODE	RL1N4003	1	22380260	
PCB3	D103 or	DIODE	GP104003E	(1)	22380035	

PCB3	D104	C-DIODE	ISS352	1	223234R2	
PCB3	D104 or	C-DIODE	ISS355	(1)	223269R2	
PCB3	D104 or	C-DIODE	KDS4148U	(1)	223283R2	
PCB3	D104 or	C-DIODE	MA2J111	(1)	223279R2	
PCB3	D701	C-DIODE	ISS352	1	223234R2	
PCB3	D701 or	C-DIODE	ISS355	(1)	223269R2	
PCB3	D701 or	C-DIODE	KDS4148U	(1)	223283R2	
PCB3	D701 or	C-DIODE	MA2J111	(1)	223279R2	
PCB3	D702	C-DIODE	ISS352	1	223234R2	
PCB3	D702 or	C-DIODE	ISS355	(1)	223269R2	
PCB3	D702 or	C-DIODE	KDS4148U	(1)	223283R2	
PCB3	D702 or	C-DIODE	MA2J111	(1)	223279R2	
PCB3	D703	C-DIODE	ISS352	1	223234R2	
PCB3	D703 or	C-DIODE	ISS355	(1)	223269R2	
PCB3	D703 or	C-DIODE	KDS4148U	(1)	223283R2	
PCB3	D703 or	C-DIODE	MA2J111	(1)	223279R2	
PCB3	D704	C-DIODE	ISS352	1	223234R2	
PCB3	D704 or	C-DIODE	ISS355	(1)	223269R2	
PCB3	D704 or	C-DIODE	KDS4148U	(1)	223283R2	
PCB3	D704 or	C-DIODE	MA2J111	(1)	223279R2	
PCB3	D706	C-DIODE	ISS352	1	223234R2	
PCB3	D706 or	C-DIODE	ISS355	(1)	223269R2	
PCB3	D706 or	C-DIODE	KDS4148U	(1)	223283R2	
PCB3	D706 or	C-DIODE	MA2J111	(1)	223279R2	
PCB3	D707	ZENER D	UDZS5.1B	1	224550510R2	
PCB3	D711	C-DIODE	ISS352	1	223234R2	
PCB3	D711 or	C-DIODE	ISS355	(1)	223269R2	
PCB3	D711 or	C-DIODE	KDS4148U	(1)	223283R2	
PCB3	D711 or	C-DIODE	MA2J111	(1)	223279R2	
PCB3	D712	C-DIODE	ISS352	1	223234R2	
PCB3	D712 or	C-DIODE	ISS355	(1)	223269R2	
PCB3	D712 or	C-DIODE	KDS4148U	(1)	223283R2	
PCB3	D712 or	C-DIODE	MA2J111	(1)	223279R2	
PCB3	D741	C-DIODE	CRS09(TE85L_Q)	1	223274R2	
PCB3	D742	C-DIODE	ISS352	1	223234R2	
PCB3	D742 or	C-DIODE	ISS355	(1)	223269R2	
PCB3	D742 or	C-DIODE	KDS4148U	(1)	223283R2	
PCB3	D742 or	C-DIODE	MA2J111	(1)	223279R2	
PCB3	D743	C-DIODE	ISS352	1	223234R2	
PCB3	D743 or	C-DIODE	ISS355	(1)	223269R2	
PCB3	D743 or	C-DIODE	KDS4148U	(1)	223283R2	
PCB3	D743 or	C-DIODE	MA2J111	(1)	223279R2	
PCB3	D2001	ZENER D	UDZS5.1B	1	224550510R2	<DD, DC>
PCB3	D4001	C-DIODE	ISS352	1	223234R2	
PCB3	D4001 or	C-DIODE	ISS355	(1)	223269R2	
PCB3	D4001 or	C-DIODE	KDS4148U	(1)	223283R2	
PCB3	D4001 or	C-DIODE	MA2J111	(1)	223279R2	
PCB3	D4002	C-DIODE	ISS352	1	223234R2	
PCB3	D4002 or	C-DIODE	ISS355	(1)	223269R2	
PCB3	D4002 or	C-DIODE	KDS4148U	(1)	223283R2	
PCB3	D4002 or	C-DIODE	MA2J111	(1)	223279R2	
PCB3	D6600	C-DIODE	ISS352	1	223234R2	
PCB3	D6600 or	C-DIODE	ISS355	(1)	223269R2	
PCB3	D6600 or	C-DIODE	KDS4148U	(1)	223283R2	
PCB3	D6600 or	C-DIODE	MA2J111	(1)	223279R2	
PCB3	D6603	C-DIODE	ISS352	1	223234R2	
PCB3	D6603 or	C-DIODE	ISS355	(1)	223269R2	
PCB3	D6603 or	C-DIODE	KDS4148U	(1)	223283R2	
PCB3	D6603 or	C-DIODE	MA2J111	(1)	223279R2	
PCB3	D6605	C-DIODE	ISS352	1	223234R2	
PCB3	D6605 or	C-DIODE	ISS355	(1)	223269R2	
PCB3	D6605 or	C-DIODE	KDS4148U	(1)	223283R2	

PCB3	D6605 or	C-DIODE	MA2J111	(1)	223279R2
PCB3	D6607	C-DIODE	ISS352	1	223234R2
PCB3	D6607 or	C-DIODE	ISS355	(1)	223269R2
PCB3	D6607 or	C-DIODE	KDS4148U	(1)	223283R2
PCB3	D6607 or	C-DIODE	MA2J111	(1)	223279R2
PCB3	D9001	DIODE	RL1N4003	1	22380260
PCB3	D9001 or	DIODE	GP104003E	(1)	22380035
PCB3	D9002	DIODE	RL1N4003	1	22380260
PCB3	D9002 or	DIODE	GP104003E	(1)	22380035
PCB3	D9005	ZENER D	UDZS36B	1	224553600R2
PCB3	D9011	DIODE	D3SBA20	1	22380271F
PCB3	D9011 or	DIODE	RBV402	(1)	22380022F
PCB3	D9012	C-DIODE	ISS352	1	223234R2
PCB3	D9012 or	C-DIODE	ISS355	(1)	223269R2
PCB3	D9012 or	C-DIODE	KDS4148U	(1)	223283R2
PCB3	D9012 or	C-DIODE	MA2J111	(1)	223279R2
PCB3	D9013	C-DIODE	ISS352	1	223234R2
PCB3	D9013 or	C-DIODE	ISS355	(1)	223269R2
PCB3	D9013 or	C-DIODE	KDS4148U	(1)	223283R2
PCB3	D9013 or	C-DIODE	MA2J111	(1)	223279R2
PCB3	D9014	C-DIODE	ISS352	1	223234R2
PCB3	D9014 or	C-DIODE	ISS355	(1)	223269R2
PCB3	D9014 or	C-DIODE	KDS4148U	(1)	223283R2
PCB3	D9014 or	C-DIODE	MA2J111	(1)	223279R2
PCB3	D9015	C-DIODE	ISS352	1	223234R2
PCB3	D9015 or	C-DIODE	ISS355	(1)	223269R2
PCB3	D9015 or	C-DIODE	KDS4148U	(1)	223283R2
PCB3	D9015 or	C-DIODE	MA2J111	(1)	223279R2
PCB3	D9017	C-DIODE	ISS352	1	223234R2
PCB3	D9017 or	C-DIODE	ISS355	(1)	223269R2
PCB3	D9017 or	C-DIODE	KDS4148U	(1)	223283R2
PCB3	D9017 or	C-DIODE	MA2J111	(1)	223279R2
PCB3	D9020	C-DIODE	ISS352	1	223234R2
PCB3	D9020 or	C-DIODE	ISS355	(1)	223269R2
PCB3	D9020 or	C-DIODE	KDS4148U	(1)	223283R2
PCB3	D9020 or	C-DIODE	MA2J111	(1)	223279R2
PCB3	D9021	C-DIODE	CRS09(TE85L_Q)	1	223274R2
PCB3	D9022	DIODE	RL1N4003	1	22380260
PCB3	D9022 or	DIODE	GP104003E	(1)	22380035
PCB3	D9024	ZENER D	UDZS5.6B	1	224550560R2
PCB3	L131	CHOKE COIL	LBC2518T2R2M	1	231364M022R2
PCB3	L133	CHOKE COIL	LBC2518T470M	1	231364M470R2
PCB3	L134	CHOKE COIL	LBC2518T470M	1	231364M470R2
PCB3	L171	CHOKE COIL	LBC2518T221M	1	231364M221R2
PCB3	L172	EMIFIL	BK1608LM182-T	1	230958R1
PCB3	L173	EMIFIL	BK1608LM182-T	1	230958R1
PCB3	C102	C-CERA C	CK725F1E-104Z1	1	332161040R1
PCB3	C103	VX C	CE04W25V-100M(VX)	1	393351017
PCB3	C131	C-CERA C	CC725CH1H-101J1	1	342101014R1
PCB3	C132	C-CERA C	CK725B1C-104K1	1	332121045R1
PCB3	C133	C-CERA C	CC725CH1H-080D1	1	342100802R1
PCB3	C137	VR C	CE04W16V-100M(VR)	1	394641017
PCB3	C138	C-CERA C	CK725F1E-104Z1	1	332161040R1
PCB3	C141	C-CERA C	CK725F1E-104Z1	1	332161040R1
PCB3	C142	C-CERA C	CK725F1E-104Z1	1	332161040R1
PCB3	C143	C-CERA C	CK725F1E-104Z1	1	332161040R1
PCB3	C145	VR C	CE04W16V-100M(VR)	1	394641017
PCB3	C146	C-CERA C	CC725CH1H-102J1	1	342101024R1
PCB3	C151	C-CERA C	CK725F1E-104Z1	1	332161040R1
PCB3	C152	C-CERA C	CK725F1E-104Z1	1	332161040R1
PCB3	C171	C-CERA C	CK725F1E-104Z1	1	332161040R1
PCB3	C172	C-CERA C	CC725CH1H-060D1	1	342100602R1

PCB3	C173	C-CERA C	CC725CH1H-060D1	1	342100602R1
PCB3	C201	C-CERA C	CK725F1E-104Z1	1	332161040R1
PCB3	C202	C-CERA C	CK725F1E-104Z1	1	332161040R1
PCB3	C203	C-CERA C	CK725F1E-104Z1	1	332161040R1
PCB3	C204	VX C	CE04W50V-10M(VX)	1	393381007
PCB3	C205	C-CERA C	CK725F1E-104Z1	1	332161040R1
PCB3	C206	C-CERA C	CK725F1E-104Z1	1	332161040R1
PCB3	C207	C-CERA C	CK725F1E-104Z1	1	332161040R1
PCB3	C208	C-CERA C	CC725CH1H-101J1	1	342101014R1
PCB3	C221	C-CERA C	CK725F1E-104Z1	1	332161040R1
PCB3	C222	C-CERA C	CK725F1E-104Z1	1	332161040R1
PCB3	C223	C-CERA C	CK725F1E-104Z1	1	332161040R1
PCB3	C224	C-CERA C	CK725F1E-104Z1	1	332161040R1
PCB3	C241	C-CERA C	CK725F1E-104Z1	1	332161040R1
PCB3	C242	C-CERA C	CK725F1E-104Z1	1	332161040R1
PCB3	C243	C-CERA C	CK725F1E-104Z1	1	332161040R1
PCB3	C244	C-CERA C	CK725F1E-104Z1	1	332161040R1
PCB3	C261	C-CERA C	CK725F1E-104Z1	1	332161040R1
PCB3	C262	C-CERA C	CK725F1E-104Z1	1	332161040R1
PCB3	C263	C-CERA C	CK725F1E-104Z1	1	332161040R1
PCB3	C271	VR C	CE04W6.3V-470M(VR)	1	394624717
PCB3	C272	VR C	CE04W6.3V-470M(VR)	1	394624717
PCB3	C281	VR C	CE04W6.3V-220M(VR)	1	394622217
PCB3	C282	C-CERA C	CK725F1E-104Z1	1	332161040R1
PCB3	C283	VR C	CE04W6.3V-220M(VR)	1	394622217
PCB3	C284	C-CERA C	CK725F1E-104Z1	1	332161040R1
PCB3	C285	C-CERA C	CK725F1E-104Z1	1	332161040R1
PCB3	C286	C-CERA C	CK725F1E-104Z1	1	332161040R1
PCB3	C301	VX C	CE04W6.3V-470M(VX)	1	393324717
PCB3	C302	VX C	CE04W6.3V-470M(VX)	1	393324717
PCB3	C303	VX C	CE04W6.3V-470M(VX)	1	393324717
PCB3	C304	C-CERA C	CK725F1E-104Z1	1	332161040R1
PCB3	C306	VX C	CE04W50V-47M(VX)	1	393384707
PCB3	C307	C-CERA C	CK725F1E-104Z1	1	332161040R1
PCB3	C308	VR C	CE04W16V-100M(VR)	1	394641017
PCB3	C309	C-CERA C	CK725F1E-104Z1	1	332161040R1
PCB3	C310	C-CERA C	CK725B1H-222K1	1	332102225R1
PCB3	C311	C-CERA C	CK725B1H-473K1	1	332104735R1
PCB3	C312	C-CERA C	CK725F1E-104Z1	1	332161040R1
PCB3	C313	C-CERA C	CK725F1E-104Z1	1	332161040R1
PCB3	C319	C-CERA C	CK725B1H-221K1	1	332102215R1
PCB3	C321	VX C	CE04W50V-10M(VX)	1	393381007
PCB3	C322	VX C	CE04W50V-10M(VX)	1	393381007
PCB3	C323	VX C	CE04W50V-10M(VX)	1	393381007
PCB3	C324	VX C	CE04W50V-10M(VX)	1	393381007
PCB3	C325	TF C	ECQ-B50V-222J	1	374722224
PCB3	C326	TF C	ECQ-B50V-222J	1	374722224
PCB3	C331	C-CERA C	CC725CH1H-330J1	1	342103304R1
PCB3	C332	C-CERA C	CC725CH1H-330J1	1	342103304R1
PCB3	C333	C-CERA C	CC725CH1H-330J1	1	342103304R1
PCB3	C334	C-CERA C	CC725CH1H-330J1	1	342103304R1
PCB3	C341	C-CERA C	CC725CH1H-101J1	1	342101014R1
PCB3	C342	C-CERA C	CC725CH1H-101J1	1	342101014R1
PCB3	C401	TF C	ECQ-B50V-472J	1	374724724
PCB3	C402	TF C	ECQ-B50V-472J	1	374724724
PCB3	C403	TF C	ECQ-B50V-472J	1	374724724
PCB3	C404	TF C	ECQ-V50V-333J	1	374723334
PCB3	C405	TF C	ECQ-B50V-472J	1	374724724
PCB3	C406	TF C	ECQ-B50V-472J	1	374724724
PCB3	C407	TF C	ECQ-B50V-472J	1	374724724
PCB3	C408	TF C	ECQ-B50V-472J	1	374724724
PCB3	C411	TF C	ECQ-B50V-681J	1	374726814

PCB3	C412	TF C	ECQ-B50V-681J	1	374726814	
PCB3	C413	TF C	ECQ-B50V-681J	1	374726814	
PCB3	C414	TF C	ECQ-B50V-153J	1	374721534	
PCB3	C415	TF C	ECQ-B50V-681J	1	374726814	
PCB3	C416	TF C	ECQ-B50V-681J	1	374726814	
PCB3	C425	TF C	ECQ-B50V-681J	1	374726814	
PCB3	C426	TF C	ECQ-B50V-681J	1	374726814	
PCB3	C427	TF C	ECQ-B50V-681J	1	374726814	
PCB3	C428	TF C	ECQ-B50V-681J	1	374726814	
PCB3	C531	VX C	CE04W25V-220M(VX)	1	393352217	
PCB3	C532	VX C	CE04W25V-220M(VX)	1	393352217	
PCB3	C417	TF C	ECQ-B50V-681J	1	374726814	
PCB3	C418	TF C	ECQ-B50V-681J	1	374726814	
PCB3	C421	TF C	ECQ-B50V-681J	1	374726814	
PCB3	C422	TF C	ECQ-B50V-681J	1	374726814	
PCB3	C423	TF C	ECQ-B50V-681J	1	374726814	
PCB3	C424	TF C	ECQ-B50V-153J	1	374721534	
PCB3	C701	VR C	CE04W16V-100M(VR)	1	394641017	
PCB3	C702	VR C	CE04W16V-100M(VR)	1	394641017	
PCB3	C704	EDL C	DX-5R5L224	1	3000079	
PCB3	C705	VR C	CE04W16V-100M(VR)	1	394641017	
PCB3	C706	VR C	CE04W50V-4.7M(VR)	1	394680477	
PCB3	C708	C-CERA C	CK725F1E-104Z1	1	332161040R1	
PCB3	C709	C-CERA C	CK725F1E-104Z1	1	332161040R1	
PCB3	C710	C-CERA C	CK725F1E-104Z1	1	332161040R1	
PCB3	C711	C-CERA C	CC725CH1H-101J1	1	342101014R1	
PCB3	C712	C-CERA C	CC725CH1H-101J1	1	342101014R1	
PCB3	C713	C-CERA C	CK725F1E-104Z1	1	332161040R1	
PCB3	C714	C-CERA C	CK725F1E-104Z1	1	332161040R1	
PCB3	C715	C-CERA C	CK725B1H-102K1	1	332101025R1	
PCB3	C716	C-CERA C	CK725F1E-104Z1	1	332161040R1	
PCB3	C717	C-CERA C	CK725F1E-104Z1	1	332161040R1	
PCB3	C718	C-CERA C	CK725B1H-102K1	1	332101025R1	
PCB3	C720	C-CERA C	CK725B1H-102K1	1	332101025R1	
PCB3	C721	C-CERA C	CK725B1H-102K1	1	332101025R1	
PCB3	C722	C-CERA C	CK725B1H-102K1	1	332101025R1	
PCB3	C723	C-CERA C	CK725B1H-102K1	1	332101025R1	
PCB3	C724	C-CERA C	CK725B1H-102K1	1	332101025R1	
PCB3	C725	C-CERA C	CK725B1H-102K1	1	332101025R1	
PCB3	C741	VR C	CE04W16V-470M(VR)	1	394644717	
PCB3	C742	C-CERA C	CK725F1E-104Z1	1	332161040R1	
PCB3	C743	VR C	CE04W6.3V-1000M(VR)	1	394621027	
PCB3	C745	VR C	CE04W16V-100M(VR)	1	394641017	
PCB3	C751	VR C	CE04W50V-1M(VR)	1	394680107	
PCB3	C752	VR C	CE04W6.3V-470M(VR)	1	394624717	
PCB3	C753	C-CERA C	CK732B1A-105K	1	337361055R2	
PCB3	C764	VX C	CE04W50V-10M(VX)	1	393381007	
PCB3	C765	VR C	CE04W16V-100M(VR)	1	394641017	
PCB3	C766	C-CERA C	CK725F1E-104Z1	1	332161040R1	
PCB3	C2001	C-CERA C	CK725F1E-104Z1	1	332161040R1	<DD, DC>
PCB3	C2002	C-CERA C	CK725B1H-102K1	1	332101025R1	<DD, DC>
PCB3	C2003	C-CERA C	CK725F1E-104Z1	1	332161040R1	<DD, DC>
PCB3	C2004	C-CERA C	CK725F1E-104Z1	1	332161040R1	<DD, DC>
PCB3	C2005	C-CERA C	CK725F1E-104Z1	1	332161040R1	<DD, DC>
PCB3	C2006	C-CERA C	CK725F1E-104Z1	1	332161040R1	<DD, DC>
PCB3	C2007	VR C	CE04W16V-100M(VR)	1	394641017	<DD, DC>
PCB3	C2008	C-CERA C	CC725CH1H-040C1	1	342100401R1	<DD, DC>
PCB3	C2009	C-CERA C	CC725CH1H-080D1	1	342100802R1	<DD, DC>
PCB3	C2010	C-CERA C	CK725F1E-104Z1	1	332161040R1	<DD, DC>
PCB3	C2011	C-CERA C	CK725F1E-104Z1	1	332161040R1	<DD, DC>
PCB3	C2012	C-CERA C	CK725F1E-104Z1	1	332161040R1	<DD, DC>
PCB3	C2013	C-CERA C	CK725F1E-104Z1	1	332161040R1	<DD, DC>

PCB3	C2014	C-CERA C	CK725B1H-102K1	1	332101025R1	<DD, DC>
PCB3	C2015	C-CERA C	CK725F1E-104Z1	1	332161040R1	<DD, DC>
PCB3	C2016	VX C	CE04W50V-10M(VX)	1	393381007	<DD, DC>
PCB3	C2017	C-CERA C	CK725F1E-104Z1	1	332161040R1	<DD, DC>
PCB3	C2018	VR C	CE04W6.3V-470M(VR)	1	394624717	<DD, DC>
PCB3	C2021	VX C	CE04W50V-10M(VX)	1	393381007	<DD, DC>
PCB3	C2022	VX C	CE04W50V-10M(VX)	1	393381007	<DD, DC>
PCB3	C2023	C-CERA C	CC725CH1H-821J1	1	342108214R1	<DD, DC>
PCB3	C2024	C-CERA C	CC725CH1H-821J1	1	342108214R1	<DD, DC>
PCB3	C2025	C-CERA C	CC725CH1H-821J1	1	342108214R1	<DD, DC>
PCB3	C2026	C-CERA C	CC725CH1H-821J1	1	342108214R1	<DD, DC>
PCB3	C2027	VX C	CE04W50V-10M(VX)	1	393381007	<DD, DC>
PCB3	C2028	VX C	CE04W50V-10M(VX)	1	393381007	<DD, DC>
PCB3	C2029	VR C	CE04W16V-220M(VR)	1	394642217	<DD, DC>
PCB3	C2030	VR C	CE04W16V-220M(VR)	1	394642217	<DD, DC>
PCB3	C2031	C-CERA C	CK725F1E-104Z1	1	332161040R1	<DD, DC>
PCB3	C2032	C-CERA C	CK725F1E-104Z1	1	332161040R1	<DD, DC>
PCB3	C2033	VR C	CE04W6.3V-470M(VR)	1	394624717	<DD, DC>
PCB3	C2034	VR C	CE04W16V-100M(VR)	1	394641017	<DD, DC>
PCB3	C2035	C-CERA C	CK725F1E-104Z1	1	332161040R1	<DD, DC>
PCB3	C2036	C-CERA C	CK725F1E-104Z1	1	332161040R1	<DD, DC>
PCB3	C2042	C-CERA C	CK725F1E-104Z1	1	332161040R1	<DD, DC>
PCB3	C2043	VR C	CE04W16V-100M(VR)	1	394641017	<DD, DC>
PCB3	C2044	C-CERA C	CK725B1H-102K1	1	332101025R1	<DD, DC>
PCB3	C4001	VR C	CE04W50V-10M(VR)	1	394681007	
PCB3	C4002	VR C	CE04W50V-10M(VR)	1	394681007	
PCB3	C4003	VR C	CE04W50V-10M(VR)	1	394681007	
PCB3	C4004	VR C	CE04W50V-10M(VR)	1	394681007	
PCB3	C4005	VR C	CE04W50V-10M(VR)	1	394681007	
PCB3	C4006	VR C	CE04W50V-10M(VR)	1	394681007	
PCB3	C4007	VR C	CE04W50V-10M(VR)	1	394681007	
PCB3	C4008	VR C	CE04W50V-10M(VR)	1	394681007	
PCB3	C4009	VR C	CE04W50V-10M(VR)	1	394681007	
PCB3	C4010	C-CERA C	CK725F1E-104Z1	1	332161040R1	
PCB3	C4011	VR C	CE04W50V-10M(VR)	1	394681007	
PCB3	C4012	VR C	CE04W50V-10M(VR)	1	394681007	
PCB3	C4013	C-CERA C	CK725B1H-102K1	1	332101025R1	
PCB3	C4014	C-CERA C	CK725B1H-102K1	1	332101025R1	
PCB3	C4015	C-CERA C	CK725B1H-102K1	1	332101025R1	
PCB3	C4016	C-CERA C	CK725F1E-104Z1	1	332161040R1	
PCB3	C4017	VR C	CE04W50V-10M(VR)	1	394681007	
PCB3	C4018	VR C	CE04W50V-10M(VR)	1	394681007	
PCB3	C4019	C-CERA C	CK725B1H-102K1	1	332101025R1	
PCB3	C4020	C-CERA C	CK725B1H-102K1	1	332101025R1	
PCB3	C4021	C-CERA C	CK725B1H-102K1	1	332101025R1	
PCB3	C4022	C-CERA C	CK725F1E-104Z1	1	332161040R1	
PCB3	C4023	VR C	CE04W50V-10M(VR)	1	394681007	
PCB3	C4024	VR C	CE04W50V-10M(VR)	1	394681007	
PCB3	C4025	C-CERA C	CK725F1E-104Z1	1	332161040R1	
PCB3	C4026	VR C	CE04W50V-10M(VR)	1	394681007	
PCB3	C4027	VR C	CE04W50V-10M(VR)	1	394681007	
PCB3	C4028	C-CERA C	CK725F1E-104Z1	1	332161040R1	
PCB3	C4029	VR C	CE04W6.3V-470M(VR)	1	394624717	
PCB3	C4030	C-CERA C	CK725B1H-103K1	1	332101035R1	
PCB3	C4031	C-CERA C	CK725F1E-104Z1	1	332161040R1	
PCB3	C4032	C-FILM C	ECHU16V-103J	1	373041034R2	
PCB3	C4033	C-CERA C	CK725F1E-104Z1	1	332161040R1	
PCB3	C4034	C-FILM C	ECHU16V-823J	1	373048234R2	
PCB3	C4035	C-CERA C	CK725F1E-104Z1	1	332161040R1	
PCB3	C4036	C-CERA C	CK725F1E-104Z1	1	332161040R1	
PCB3	C4037	C-CERA C	CK725F1E-104Z1	1	332161040R1	
PCB3	C4038	C-CERA C	CK725B1H-103K1	1	332101035R1	

PCB3	C4039	C-CERA C	CC725CH1H-080D1	1	342100802R1
PCB3	C4040	C-CERA C	CC725CH1H-080D1	1	342100802R1
PCB3	C4041	C-CERA C	CK725F1E-104Z1	1	332161040R1
PCB3	C4042	VR C	CE04W6.3V-470M(VR)	1	394624717
PCB3	C4043	C-CERA C	CK725B1H-103K1	1	332101035R1
PCB3	C4044	C-CERA C	CK725F1E-104Z1	1	332161040R1
PCB3	C4045	CHIP TANTAL	TCSCS1C106MAAR	1	396541007R2
PCB3	C4045 or	CHIP TANTAL	TCFGA-1C106M8R	(1)	396041007R2
PCB3	C4045 or	CHIP TANTAL	F93-16V-10M	(1)	395541007R2
PCB3	C4046	C-CERA C	CK725F1E-104Z1	1	332161040R1
PCB3	C4047	C-CERA C	CK725F1E-104Z1	1	332161040R1
PCB3	C4048	C-CERA C	CC725CH1H-102J1	1	342101024R1
PCB3	C4049	C-CERA C	CK725F1E-104Z1	1	332161040R1
PCB3	C4050	CHIP TANTAL	TCSCS1C106MAAR	1	396541007R2
PCB3	C4050 or	CHIP TANTAL	TCFGA-1C106M8R	(1)	396041007R2
PCB3	C4050 or	CHIP TANTAL	F93-16V-10M	(1)	395541007R2
PCB3	C4051	C-CERA C	CK725F1E-104Z1	1	332161040R1
PCB3	C4052	C-CERA C	CK725F1E-104Z1	1	332161040R1
PCB3	C4053	CHIP TANTAL	TCSCS1C106MAAR	1	396541007R2
PCB3	C4053 or	CHIP TANTAL	TCFGA-1C106M8R	(1)	396041007R2
PCB3	C4053 or	CHIP TANTAL	F93-16V-10M	(1)	395541007R2
PCB3	C4054	CHIP TANTAL	TCSCS1C106MAAR	1	396541007R2
PCB3	C4054 or	CHIP TANTAL	TCFGA-1C106M8R	(1)	396041007R2
PCB3	C4054 or	CHIP TANTAL	F93-16V-10M	(1)	395541007R2
PCB3	C4055	C-CERA C	CK725B1H-102K1	1	332101025R1
PCB3	C4056	C-CERA C	CK725F1E-104Z1	1	332161040R1
PCB3	C4057	CHIP TANTAL	TCSCS1C106MAAR	1	396541007R2
PCB3	C4057 or	CHIP TANTAL	TCFGA-1C106M8R	(1)	396041007R2
PCB3	C4057 or	CHIP TANTAL	F93-16V-10M	(1)	395541007R2
PCB3	C4058	C-CERA C	CK725F1E-104Z1	1	332161040R1
PCB3	C4059	C-CERA C	CK725F1E-104Z1	1	332161040R1
PCB3	C4060	C-CERA C	CK725F1E-104Z1	1	332161040R1
PCB3	C4061	C-CERA C	CK725B1H-103K1	1	332101035R1
PCB3	C4062	C-CERA C	CK725F1E-104Z1	1	332161040R1
PCB3	C4063	C-CERA C	CK725F1E-104Z1	1	332161040R1
PCB3	C4064	C-CERA C	CK725F1E-104Z1	1	332161040R1
PCB3	C4065	C-CERA C	CK725F1E-104Z1	1	332161040R1
PCB3	C4066	C-CERA C	CK725F1E-104Z1	1	332161040R1
PCB3	C4067	C-CERA C	CK725F1E-104Z1	1	332161040R1
PCB3	C4068	C-CERA C	CK725F1E-104Z1	1	332161040R1
PCB3	C4069	C-CERA C	CK725F1E-104Z1	1	332161040R1
PCB3	C4070	CHIP TANTAL	TCSCS1C106MAAR	1	396541007R2
PCB3	C4070 or	CHIP TANTAL	TCFGA-1C106M8R	(1)	396041007R2
PCB3	C4070 or	CHIP TANTAL	F93-16V-10M	(1)	395541007R2
PCB3	C4071	C-CERA C	CK725F1E-104Z1	1	332161040R1
PCB3	C4072	C-CERA C	CK725F1E-104Z1	1	332161040R1
PCB3	C4073	C-CERA C	CK725F1E-104Z1	1	332161040R1
PCB3	C4074	C-CERA C	CK725F1E-104Z1	1	332161040R1
PCB3	C4075	C-CERA C	CK725F1E-104Z1	1	332161040R1
PCB3	C4076	C-CERA C	CK725B1A-105K1	1	332131055R1
PCB3	C4077	C-CERA C	CK725F1E-104Z1	1	332161040R1
PCB3	C4078	C-CERA C	CK725B1A-105K1	1	332131055R1
PCB3	C4100	C-CERA C	CK725F1E-104Z1	1	332161040R1
PCB3	C4101	C-CERA C	CK725F1E-104Z1	1	332161040R1
PCB3	C4102	C-CERA C	CK725F1E-104Z1	1	332161040R1
PCB3	C4103	VR C	CE04W6.3V-220M(VR)	1	394622217
PCB3	C4104	VR C	CE04W6.3V-220M(VR)	1	394622217
PCB3	C4105	VR C	CE04W50V-22M(VR)	1	394682207
PCB3	C4106	VR C	CE04W6.3V-220M(VR)	1	394622217
PCB3	C4107	VR C	CE04W50V-22M(VR)	1	394682207
PCB3	C4108	VR C	CE04W6.3V-220M(VR)	1	394622217
PCB3	C4109	C-CERA C	CK725F1E-104Z1	1	332161040R1

PCB3	C4110	C-CERA C	CK725F1E-104Z1	1	332161040R1	
PCB3	C4111	C-CERA C	CK725F1E-104Z1	1	332161040R1	
PCB3	C4112	C-CERA C	CK725F1E-104Z1	1	332161040R1	
PCB3	C4114	VR C	CE04W6.3V-470M(VR)	1	394624717	
PCB3	C4116	VR C	CE04W6.3V-470M(VR)	1	394624717	
PCB3	C4118	VR C	CE04W6.3V-470M(VR)	1	394624717	
PCB3	C4119	VR C	CE04W6.3V-220M(VR)	1	394622217	
PCB3	C4121	VR C	CE04W6.3V-470M(VR)	1	394624717	
PCB3	C4122	C-CERA C	CK725F1E-104Z1	1	332161040R1	
PCB3	C4123	VR C	CE04W25V-47M(VR)	1	394654707	
PCB3	C4124	VR C	CE04W25V-47M(VR)	1	394654707	
PCB3	C4125	C-CERA C	CK725F1E-104Z1	1	332161040R1	
PCB3	C4127	VR C	CE04W6.3V-470M(VR)	1	394624717	
PCB3	C4129	VR C	CE04W6.3V-470M(VR)	1	394624717	
PCB3	C4130	VR C	CE04W6.3V-220M(VR)	1	394622217	
PCB3	C4131	C-CERA C	CK725F1E-104Z1	1	332161040R1	
PCB3	C4132	VR C	CE04W50V-10M(VR)	1	394681007	
PCB3	C4133	VR C	CE04W6.3V-220M(VR)	1	394622217	
PCB3	C4134	VR C	CE04W6.3V-220M(VR)	1	394622217	
PCB3	C4135	C-CERA C	CK725F1E-104Z1	1	332161040R1	
PCB3	C4136	VR C	CE04W50V-22M(VR)	1	394682207	
PCB3	C4137	C-CERA C	CK725F1E-104Z1	1	332161040R1	
PCB3	C4138	C-CERA C	CK725F1E-104Z1	1	332161040R1	
PCB3	C4139	VR C	CE04W50V-10M(VR)	1	394681007	
PCB3	C4140	C-CERA C	CK725F1E-104Z1	1	332161040R1	
PCB3	C4141	VR C	CE04W25V-47M(VR)	1	394654707	
PCB3	C4142	C-CERA C	CC725CH1H-181J1	1	342101814R1	
PCB3	C4143	C-CERA C	CC725CH1H-181J1	1	342101814R1	
PCB3	C4144	C-CERA C	CC725CH1H-181J1	1	342101814R1	
PCB3	C4148	C-CERA C	CK725F1E-104Z1	1	332161040R1	
PCB3	C4149	C-CERA C	CK725F1E-104Z1	1	332161040R1	
PCB3	C4150	C-CERA C	CK725F1E-104Z1	1	332161040R1	
PCB3	C4151	VR C	CE04W50V-10M(VR)	1	394681007	
PCB3	C4154	C-CERA C	CC725CH1H-221J1	1	342102214R1	
PCB3	C4155	C-CERA C	CC725CH1H-221J1	1	342102214R1	
PCB3	C4156	C-CERA C	CK725B1H-102K1	1	332101025R1	
PCB3	C4157	C-CERA C	CK725B1H-102K1	1	332101025R1	
PCB3	C4158	C-CERA C	CC725CH1H-470J1	1	342104704R1	
PCB3	C4159	C-CERA C	CC725CH1H-470J1	1	342104704R1	
PCB3	C4160	C-CERA C	CC725CH1H-470J1	1	342104704R1	
PCB3	C4161	C-CERA C	CC725CH1H-181J1	1	342101814R1	
PCB3	C4162	C-CERA C	CC725CH1H-181J1	1	342101814R1	
PCB3	C4163	C-CERA C	CC725CH1H-181J1	1	342101814R1	
PCB3	C4165	C-CERA C	CK725F1E-104Z1	1	332161040R1	
PCB3	C4170	C-CERA C	CC725CH1H-101J1	1	342101014R1	
PCB3	C4171	C-CERA C	CC725CH1H-101J1	1	342101014R1	
PCB3	C4172	C-CERA C	CC725CH1H-101J1	1	342101014R1	
PCB3	C4173	C-CERA C	CC725CH1H-101J1	1	342101014R1	
PCB3	C4174	C-CERA C	CC725CH1H-101J1	1	342101014R1	
PCB3	C4175	C-CERA C	CC725CH1H-101J1	1	342101014R1	
PCB3	C4176	C-CERA C	CK725F1E-104Z1	1	332161040R1	
PCB3	C4177	C-CERA C	CK725F1E-104Z1	1	332161040R1	
PCB3	C4178	C-CERA C	CK725F1E-104Z1	1	332161040R1	
PCB3	C4242	C-CERA C	CK725F1E-104Z1	1	332161040R1	
PCB3	C4243	C-CERA C	CK725F1E-104Z1	1	332161040R1	
PCB3	C4244	C-CERA C	CK725F1E-104Z1	1	332161040R1	
PCB3	C6600	C-CERA C	CK725F1H-104Z1	1	332151040R1	
PCB3	C6602	C-CERA C	CK725F1H-104Z1	1	332151040R1	
PCB3	C6603	C-CERA C	CK725F1H-104Z1	1	332151040R1	
PCB3	C6605	C-CERA C	CK725F1H-104Z1	1	332151040R1	
PCB3	C6607	C-CERA C	CK725F1H-104Z1	1	332151040R1	
PCB3	C6640	TF C	ECQ-B50V-103J	1	374721034	<PA>

PCB3	C6641	TF C	ECQ-B50V-103J	1	374721034	<PA>
PCB3	C6642	TF C	ECQ-B50V-103J	1	374721034	<PA>
PCB3	C6643	TF C	ECQ-B50V-103J	1	374721034	<PA>
PCB3	C6644	TF C	ECQ-B50V-103J	1	374721034	<PA>
PCB3	C6645	TF C	ECQ-B50V-103J	1	374721034	<PA>
PCB3	C6646	TF C	ECQ-B50V-103J	1	374721034	<PA>
PCB3	C6650	TF C	ECQ-B50V-102J	1	374721024	<PA>
PCB3	C6651	TF C	ECQ-B50V-102J	1	374721024	<PA>
PCB3	C6652	TF C	ECQ-B50V-102J	1	374721024	<PA>
PCB3	C6653	TF C	ECQ-B50V-102J	1	374721024	<PA>
PCB3	C6654	TF C	ECQ-B50V-102J	1	374721024	<PA>
PCB3	C6655	TF C	ECQ-B50V-102J	1	374721024	<PA>
PCB3	C6656	TF C	ECQ-B50V-102J	1	374721024	<PA>
PCB3	C9001	VR C	CE04W63V-470M(VR)	1	394674717S	
PCB3	C9005	VR C	CE04W50V-47M(VR)	1	394684707	
PCB3	C9006	C-CERA C	CK725F1H-223Z1	1	332152230R1	
PCB3	C9011	VR C	CE04W16V-10000M(VR)	1	394641037S	
PCB3	C9012	TF C	ECQ-V50V-334J	1	374723344	
PCB3	C9013	VR C	CE04W50V-3.3M(VR)	1	394680337	
PCB3	C9021	VR C	CE04W16V-470M(VR)	1	394644717	
PCB3	C9022	C-CERA C	CK725F1H-223Z1	1	332152230R1	
PCB3	C9023	VR C	CE04W6.3V-470M(VR)	1	394624717	
PCB3	C9024	C-CERA C	CK725F1H-223Z1	1	332152230R1	
PCB3	C9025	VR C	CE04W6.3V-470M(VR)	1	394624717	
PCB3	C9031	VR C	CE04W16V-470M(VR)	1	394644717	
PCB3	C9032	VR C	CE04W6.3V-470M(VR)	1	394624717	
PCB3	L201	CHOKE COIL	BLM21PG221SN1	1	230949R2	
PCB3	L202	CHOKE COIL	BLM21PG221SN1	1	230949R2	
PCB3	L203	EMIFIL	BK1608LL241-T	1	230959R1	
PCB3	L204	EMIFIL	ACF451832-333-T	1	230978R2	
PCB3	L281	CHOKE COIL	BLM21PG221SN1	1	230949R2	
PCB3	L301	CHOKE COIL	BLM21PG221SN1	1	230949R2	
PCB3	L302	CHOKE COIL	BLM21PG221SN1	1	230949R2	
PCB3	L303	CHOKE COIL	BLM21PG221SN1	1	230949R2	
PCB3	L312	EMIFIL	BK1608LM182-T	1	230958R1	
PCB3	L313	EMIFIL	BK1608LM182-T	1	230958R1	
PCB3	L741	CHOKE COIL	NCH-2541	1	231363K470	
PCB3	L2001	CHOKE COIL	LBC2518T2R2M	1	231364M022R2	<DD, DC>
PCB3	L2002	EMIFIL	BK1608LM182-T	1	230958R1	<DD, DC>
PCB3	L2003	CHOKE COIL	LBC2518T2R2M	1	231364M022R2	<DD, DC>
PCB3	L2004	CHOKE COIL	BLM21PG221SN1	1	230949R2	<DD, DC>
PCB3	L2005	CHOKE COIL	BLM21PG221SN1	1	230949R2	<DD, DC>
PCB3	L4001	C-CARBON R	RN72K2E-022JE	1	435220224R1	
PCB3	L4002	CHOKE COIL	LBC2518T220M	1	231364M220R2	
PCB3	L4003	CHOKE COIL	LBC2518T2R2M	1	231364M022R2	
PCB3	L4004	CHOKE COIL	LBC2518T2R2M	1	231364M022R2	
PCB3	L4005	CHOKE COIL	LBC2518T220M	1	231364M220R2	
PCB3	L4006	CHOKE COIL	LBC2518T2R2M	1	231364M022R2	
PCB3	L4010	C-CARBON R	RN72K2E-220JE	1	435222204R1	
PCB3	L4011	C-CARBON R	RN72K2E-022JE	1	435220224R1	
PCB3	L6600	S COIL	S-1.3C	1	231176S	<PA>
PCB3	L6601	S COIL	S-1.3C	1	231176S	<PA>
PCB3	L6602	S COIL	S-1.3C	1	231176S	<PA>
PCB3	L6603	S COIL	S-1.3C	1	231176S	<PA>
PCB3	L6604	S COIL	S-1.3C	1	231176S	<PA>
PCB3	L6605	S COIL	S-1.3C	1	231176S	<PA>
PCB3	L6606	S COIL	S-1.3C	1	231176S	<PA>
PCB3	L9001	CHOKE COIL	NCH-2541	1	231363K470	
PCB3	R101	C-CARBON R	RN72K1J-000JE	1	435030004R1	<DD, DC>
PCB3	R103	C-CARBON R	RN72K1J-100JE	1	435031004R1	
PCB3	R105	C-CARBON R	RN72K1J-105JE	1	435031054R1	
PCB3	R106	C-CARBON R	RN72K1J-000JE	1	435030004R1	

PCB3	R107	C-CARBON R	RN72K1J-000JE	1	435030004R1
PCB3	R108	C-CARBON R	RN72K1J-000JE	1	435030004R1
PCB3	R109	C-CARBON R	RN72K1J-000JE	1	435030004R1
PCB3	R110	C-CARBON R	RN72K1J-563JE	1	435035634R1
PCB3	R131	C-CARBON R	RN72K1J-750JE	1	435037504R1
PCB3	R132	C-CARBON R	RN72K1J-100JE	1	435031004R1
PCB3	R133	C-CARBON R	RN72K1J-224JE	1	435032244R1
PCB3	R134	C-CARBON R	RN72K1J-103JE	1	435031034R1
PCB3	R141	C-CARBON R	RN72K1J-470JE	1	435034704R1
PCB3	R142	C-CARBON R	RN72K1J-470JE	1	435034704R1
PCB3	R143	C-CARBON R	RN72K1J-470JE	1	435034704R1
PCB3	R162	C-CARBON R	RN72K1J-221JE	1	435032214R1
PCB3	R163	C-CARBON R	RN72K1J-221JE	1	435032214R1
PCB3	R164	C-CARBON R	RN72K1J-221JE	1	435032214R1
PCB3	R165	C-CARBON R	RN72K1J-221JE	1	435032214R1
PCB3	R166	C-CARBON R	RN72K1J-221JE	1	435032214R1
PCB3	R167	C-CARBON R	RN72K1J-221JE	1	435032214R1
PCB3	R171	C-CARBON R	RN72K1J-105JE	1	435031054R1
PCB3	R181	C-CARBON R	RN72K1J-103JE	1	435031034R1
PCB3	R182	C-CARBON R	RN72K1J-103JE	1	435031034R1
PCB3	R183	C-CARBON R	RN72K1J-103JE	1	435031034R1
PCB3	R184	C-CARBON R	RN72K1J-103JE	1	435031034R1
PCB3	R185	C-CARBON R	RN72K1J-103JE	1	435031034R1
PCB3	R201	C-CARBON R	RN72K1J-103JE	1	435031034R1
PCB3	R202	C-CARBON R	RN72K1J-103JE	1	435031034R1
PCB3	R203	C-CARBON R	RN72K1J-103JE	1	435031034R1
PCB3	R204	C-CARBON R	RN72K1J-103JE	1	435031034R1
PCB3	R205	C-CARBON R	RN72K1J-103JE	1	435031034R1
PCB3	R206	C-CARBON R	RN72K1J-331JE	1	435033314R1
PCB3	R207	C-CARBON R	RN72K1J-103JE	1	435031034R1
PCB3	R221	C-CARBON R	RN72K1J-470JE	1	435034704R1
PCB3	R250	C-CARBON R	RN72K1J-331JE	1	435033314R1
PCB3	R251	C-CARBON R	RN72K1J-331JE	1	435033314R1
PCB3	R252	C-CARBON R	RN72K1J-331JE	1	435033314R1
PCB3	R253	C-CARBON R	RN72K1J-470JE	1	435034704R1
PCB3	R254	C-CARBON R	RN72K1J-470JE	1	435034704R1
PCB3	R255	C-CARBON R	RN72K1J-470JE	1	435034704R1
PCB3	R256	C-CARBON R	RN72K1J-470JE	1	435034704R1
PCB3	R257	C-CARBON R	RN72K1J-470JE	1	435034704R1
PCB3	R258	C-CARBON R	RN72K1J-103JE	1	435031034R1
PCB3	R259	C-CARBON R	RN72K1J-331JE	1	435033314R1
PCB3	R260	C-CARBON R	RN72K1J-470JE	1	435034704R1
PCB3	R261	C-CARBON R	RN72K1J-470JE	1	435034704R1
PCB3	R262	C-CARBON R	RN72K1J-103JE	1	435031034R1
PCB3	R263	C-CARBON R	RN72K1J-103JE	1	435031034R1
PCB3	R264	C-CARBON R	RN72K1J-103JE	1	435031034R1
PCB3	R265	C-CARBON R	RN72K1J-331JE	1	435033314R1
PCB3	R266	C-CARBON R	RN72K1J-331JE	1	435033314R1
PCB3	R267	C-CARBON R	RN72K1J-331JE	1	435033314R1
PCB3	R269	C-CARBON R	RN72K1J-331JE	1	435033314R1
PCB3	R270	C-CARBON R	RN72K1J-331JE	1	435033314R1
PCB3	R278	C-CARBON R	RN72K1J-103JE	1	435031034R1
PCB3	R279	C-CARBON R	RN72K1J-103JE	1	435031034R1
PCB3	R281	C-CARBON R	RN72K1J-103JE	1	435031034R1
PCB3	R282	C-CARBON R	RN72K1J-103JE	1	435031034R1
PCB3	R283	C-CARBON R	RN72K1J-103JE	1	435031034R1
PCB3	R284	C-CARBON R	RN72K1J-103JE	1	435031034R1
PCB3	R285	C-CARBON R	RN72K1J-103JE	1	435031034R1
PCB3	R286	C-CARBON R	RN72K1J-331JE	1	435033314R1
PCB3	R298	C-CARBON R	RN72K1J-000JE	1	435030004R1
PCB3	R299	C-CARBON R	RN72K1J-000JE	1	435030004R1
PCB3	R301	C-CARBON R	RN72K1J-470JE	1	435034704R1

PCB3	R441	C-CARBON R	RN72K1J-472JE	1	435034724R1
PCB3	R442	C-CARBON R	RN72K1J-472JE	1	435034724R1
PCB3	R443	C-CARBON R	RN72K1J-472JE	1	435034724R1
PCB3	R444	C-CARBON R	RN72K1J-472JE	1	435034724R1
PCB3	R445	C-CARBON R	RN72K1J-472JE	1	435034724R1
PCB3	R446	C-CARBON R	RN72K1J-472JE	1	435034724R1
PCB3	R447	C-CARBON R	RN72K1J-472JE	1	435034724R1
PCB3	R448	C-CARBON R	RN72K1J-472JE	1	435034724R1
PCB3	R451	C-CARBON R	RN72K1J-472JE	1	435034724R1
PCB3	R452	C-CARBON R	RN72K1J-472JE	1	435034724R1
PCB3	R453	C-CARBON R	RN72K1J-472JE	1	435034724R1
PCB3	R454	C-CARBON R	RN72K1J-472JE	1	435034724R1
PCB3	R455	C-CARBON R	RN72K1J-472JE	1	435034724R1
PCB3	R456	C-CARBON R	RN72K1J-472JE	1	435034724R1
PCB3	R457	C-CARBON R	RN72K1J-472JE	1	435034724R1
PCB3	R458	C-CARBON R	RN72K1J-472JE	1	435034724R1
PCB3	R461	C-CARBON R	RN72K1J-181JE	1	435031814R1
PCB3	R462	C-CARBON R	RN72K1J-181JE	1	435031814R1
PCB3	R463	C-CARBON R	RN72K1J-181JE	1	435031814R1
PCB3	R464	C-CARBON R	RN72K1J-181JE	1	435031814R1
PCB3	R465	C-CARBON R	RN72K1J-181JE	1	435031814R1
PCB3	R466	C-CARBON R	RN72K1J-181JE	1	435031814R1
PCB3	R467	C-CARBON R	RN72K1J-181JE	1	435031814R1
PCB3	R468	C-CARBON R	RN72K1J-181JE	1	435031814R1
PCB3	R471	C-CARBON R	RN72K1J-181JE	1	435031814R1
PCB3	R472	C-CARBON R	RN72K1J-181JE	1	435031814R1
PCB3	R473	C-CARBON R	RN72K1J-181JE	1	435031814R1
PCB3	R474	C-CARBON R	RN72K1J-181JE	1	435031814R1
PCB3	R475	C-CARBON R	RN72K1J-181JE	1	435031814R1
PCB3	R476	C-CARBON R	RN72K1J-181JE	1	435031814R1
PCB3	R477	C-CARBON R	RN72K1J-181JE	1	435031814R1
PCB3	R478	C-CARBON R	RN72K1J-181JE	1	435031814R1
PCB3	R503	METAL O R	RS1/2WBJ-22	1	443522204
PCB3	R504	METAL O R	RS1/2WBJ-22	1	443522204
PCB3	R591	C-CARBON R	RN72K1J-000JE	1	435030004R1
PCB3	R592	C-CARBON R	RN72K1J-000JE	1	435030004R1
PCB3	R602	C-CARBON R	RN72K1J-000JE	1	435030004R1
PCB3	R609	C-CARBON R	RN72K1J-103JE	1	435031034R1
PCB3	R610	C-CARBON R	RN72K1J-103JE	1	435031034R1
PCB3	R611	C-CARBON R	RN72K1J-221JE	1	435032214R1
PCB3	R612	C-CARBON R	RN72K1J-473JE	1	435034734R1
PCB3	R613	C-CARBON R	RN72K1J-105JE	1	435031054R1
PCB3	R614	C-CARBON R	RN72K1J-103JE	1	435031034R1
PCB3	R615	C-CARBON R	RN72K1J-221JE	1	435032214R1
PCB3	R616	C-CARBON R	RN72K1J-221JE	1	435032214R1
PCB3	R617	C-CARBON R	RN72K1J-103JE	1	435031034R1
PCB3	R619	C-CARBON R	RN72K1J-102JE	1	435031024R1
PCB3	R621	C-CARBON R	RN72K1J-221JE	1	435032214R1
PCB3	R622	C-CARBON R	RN72K1J-221JE	1	435032214R1
PCB3	R623	C-CARBON R	RN72K1J-221JE	1	435032214R1
PCB3	R624	C-CARBON R	RN72K1J-221JE	1	435032214R1
PCB3	R625	C-CARBON R	RN72K1J-470JE	1	435034704R1
PCB3	R626	C-CARBON R	RN72K1J-470JE	1	435034704R1
PCB3	R627	C-CARBON R	RN72K1J-222JE	1	435032224R1
PCB3	R628	C-CARBON R	RN72K1J-222JE	1	435032224R1
PCB3	R629	C-CARBON R	RN72K1J-222JE	1	435032224R1 <PA>
PCB3	R630	C-CARBON R	RN72K1J-222JE	1	435032224R1
PCB3	R631	C-CARBON R	RN72K1J-470JE	1	435034704R1
PCB3	R632	C-CARBON R	RN72K1J-470JE	1	435034704R1
PCB3	R633	C-CARBON R	RN72K1J-470JE	1	435034704R1
PCB3	R634	C-CARBON R	RN72K1J-470JE	1	435034704R1
PCB3	R635	C-CARBON R	RN72K1J-470JE	1	435034704R1

PCB3	R636	C-CARBON R	RN72K1J-221JE	1	435032214R1	
PCB3	R637	C-CARBON R	RN72K1J-470JE	1	435034704R1	
PCB3	R638	C-CARBON R	RN72K1J-470JE	1	435034704R1	
PCB3	R639	C-CARBON R	RN72K1J-470JE	1	435034704R1	
PCB3	R640	C-CARBON R	RN72K1J-470JE	1	435034704R1	
PCB3	R642	C-CARBON R	RN72K1J-470JE	1	435034704R1	
PCB3	R643	C-CARBON R	RN72K1J-470JE	1	435034704R1	
PCB3	R644	C-CARBON R	RN72K1J-221JE	1	435032214R1	
PCB3	R645	C-CARBON R	RN72K1J-470JE	1	435034704R1	
PCB3	R649	C-CARBON R	RN72K1J-103JE	1	435031034R1	
PCB3	R650	C-CARBON R	RN72K1J-103JE	1	435031034R1	
PCB3	R651	C-CARBON R	RN72K1J-103JE	1	435031034R1	
PCB3	R653	C-CARBON R	RN72K1J-103JE	1	435031034R1	
PCB3	R659	C-CARBON R	RN72K1J-470JE	1	435034704R1	
PCB3	R660	C-CARBON R	RN72K1J-221JE	1	435032214R1	
PCB3	R661	C-CARBON R	RN72K1J-221JE	1	435032214R1	
PCB3	R662	C-CARBON R	RN72K1J-221JE	1	435032214R1	
PCB3	R663	C-CARBON R	RN72K1J-473JE	1	435034734R1	
PCB3	R664	C-CARBON R	RN72K1J-103JE	1	435031034R1	
PCB3	R665	C-CARBON R	RN72K1J-221JE	1	435032214R1	
PCB3	R666	C-CARBON R	RN72K1J-221JE	1	435032214R1	
PCB3	R667	C-CARBON R	RN72K1J-221JE	1	435032214R1	
PCB3	R668	C-CARBON R	RN72K1J-102JE	1	435031024R1	
PCB3	R669	C-CARBON R	RN72K1J-102JE	1	435031024R1	
PCB3	R670	C-CARBON R	RN72K1J-102JE	1	435031024R1	
PCB3	R673	C-CARBON R	RN72K1J-224JE	1	435032244R1	
PCB3	R676	C-CARBON R	RN72K1J-470JE	1	435034704R1	
PCB3	R677	C-CARBON R	RN72K1J-470JE	1	435034704R1	
PCB3	R678	C-CARBON R	RN72K1J-470JE	1	435034704R1	
PCB3	R679	C-CARBON R	RN72K1J-470JE	1	435034704R1	
PCB3	R680	C-CARBON R	RN72K1J-470JE	1	435034704R1	
PCB3	R681	C-CARBON R	RN72K1J-103JE	1	435031034R1	
PCB3	R682	C-CARBON R	RN72K1J-103JE	1	435031034R1	
PCB3	R683	C-CARBON R	RN72K1J-472JE	1	435034724R1	
PCB3	R684	C-CARBON R	RN72K1J-472JE	1	435034724R1	
PCB3	R685	C-CARBON R	RN72K1J-472JE	1	435034724R1	
PCB3	R686	C-CARBON R	RN72K1J-472JE	1	435034724R1	
PCB3	R687	C-CARBON R	RN72K1J-472JE	1	435034724R1	
PCB3	R688	C-CARBON R	RN72K1J-472JE	1	435034724R1	
PCB3	R690	C-CARBON R	RN72K1J-272JE	1	435032724R1	
PCB3	R691	C-CARBON R	RN72K1J-272JE	1	435032724R1	
PCB3	R692	C-CARBON R	RN72K1J-272JE	1	435032724R1	
PCB3	R693	C-CARBON R	RN72K1J-272JE	1	435032724R1	
PCB3	R694	C-CARBON R	RN72K1J-273JE	1	435032734R1	
PCB3	R695	C-CARBON R	RN72K1J-273JE	1	435032734R1	
PCB3	R696	C-CARBON R	RN72K1J-103JE	1	435031034R1	
PCB3	R701	C-CARBON R	RN72K1J-102JE	1	435031024R1	
PCB3	R702	METAL R	RNU1/2WCJ-2.2	1	453530224	
PCB3	R741	C-CARBON R	RN72K1J-821JE	1	435038214R1	
PCB3	R742	C-CARBON R	RN72K1J-152JE	1	435031524R1	
PCB3	R743	C-CARBON R	RN72K1J-153JE	1	435031534R1	
PCB3	R744	C-CARBON R	RN72K1J-000JE	1	435030004R1	
PCB3	R745	C-CARBON R	RN72K1J-393JE	1	435033934R1	
PCB3	R746	C-CARBON R	RN72K1J-393JE	1	435033934R1	
PCB3	R747	C-CARBON R	RN72K1J-333JE	1	435033334R1	
PCB3	R751	C-CARBON R	RN72K1J-103JE	1	435031034R1	
PCB3	R752	C-CARBON R	RN72K1J-222JE	1	435032224R1	
PCB3	R753	C-CARBON R	RN72K1J-102JE	1	435031024R1	
PCB3	R770	C-CARBON R	RN72K1J-333JE	1	435033334R1	<PA>
PCB3	R772	C-CARBON R	RN72K1J-103JE	1	435031034R1	<PA>
PCB3	R773	C-CARBON R	RN72K1J-333JE	1	435033334R1	<DD, DC>
PCB3	R773	C-CARBON R	RN72K1J-103JE	1	435031034R1	<PA>

PCB3	R780	C-CARBON R	RN72K1J-000JE	1	435030004R1	<DD, DC>
PCB3	R780	C-CARBON R	RN72K1J-103JE	1	435031034R1	<PA>
PCB3	R781	C-CARBON R	RN72K1J-000JE	1	435030004R1	
PCB3	R782	C-CARBON R	RN72K1J-000JE	1	435030004R1	<DD, DC>
PCB3	R782	C-CARBON R	RN72K1J-103JE	1	435031034R1	<PA>
PCB3	R783	C-CARBON R	RN72K1J-103JE	1	435031034R1	<DD, DC>
PCB3	R2001	C-CARBON R	RN72K1J-104JE	1	435031044R1	<DD, DC>
PCB3	R2002	C-CARBON R	RN72K1J-104JE	1	435031044R1	<DD, DC>
PCB3	R2003	C-CARBON R	RN72K1J-104JE	1	435031044R1	<DD, DC>
PCB3	R2004	C-CARBON R	RN72K1J-104JE	1	435031044R1	<DD, DC>
PCB3	R2005	C-CARBON R	RN72K1J-104JE	1	435031044R1	<DD, DC>
PCB3	R2006	C-CARBON R	RN72K1J-102JE	1	435031024R1	<DD, DC>
PCB3	R2007	C-CARBON R	RN72K1J-102JE	1	435031024R1	<DD, DC>
PCB3	R2008	C-CARBON R	RN72K1J-101JE	1	435031014R1	<DD, DC>
PCB3	R2009	C-CARBON R	RN72K1J-101JE	1	435031014R1	<DD, DC>
PCB3	R2010	C-CARBON R	RN72K1J-681JE	1	435036814R1	<DD, DC>
PCB3	R2011	C-CARBON R	RN72K1J-105JE	1	435031054R1	<DD, DC>
PCB3	R2012	C-CARBON R	RN72K1J-101JE	1	435031014R1	<DD, DC>
PCB3	R2013	C-CARBON R	RN72K1J-331JE	1	435033314R1	<DD, DC>
PCB3	R2014	C-CARBON R	RN72K1J-331JE	1	435033314R1	<DD, DC>
PCB3	R2015	C-CARBON R	RN72K1J-331JE	1	435033314R1	<DD, DC>
PCB3	R2016	C-CARBON R	RN72K1J-000JE	1	435030004R1	<DD, DC>
PCB3	R2021	C-CARBON R	RN72K1J-222JE	1	435032224R1	<DD, DC>
PCB3	R2022	C-CARBON R	RN72K1J-222JE	1	435032224R1	<DD, DC>
PCB3	R2023	C-CARBON R	RN72K1J-104JE	1	435031044R1	<DD, DC>
PCB3	R2024	C-CARBON R	RN72K1J-104JE	1	435031044R1	<DD, DC>
PCB3	R2025	C-CARBON R	RN72K1J-222JE	1	435032224R1	<DD, DC>
PCB3	R2026	C-CARBON R	RN72K1J-222JE	1	435032224R1	<DD, DC>
PCB3	R2027	C-CARBON R	RN72K1J-222JE	1	435032224R1	<DD, DC>
PCB3	R2028	C-CARBON R	RN72K1J-222JE	1	435032224R1	<DD, DC>
PCB3	R2029	C-CARBON R	RN72K1J-332JE	1	435033324R1	<DD, DC>
PCB3	R2030	C-CARBON R	RN72K1J-332JE	1	435033324R1	<DD, DC>
PCB3	R2031	METAL O R	RS1/2WBJ-22	1	443522204	<DD, DC>
PCB3	R2032	METAL O R	RS1/2WBJ-22	1	443522204	<DD, DC>
PCB3	R2033	C-CARBON R	RN72K1J-220JE	1	435032204R1	<DD, DC>
PCB3	R2034	C-CARBON R	RN72K1J-220JE	1	435032204R1	<DD, DC>
PCB3	R2035	C-CARBON R	RN72K1J-000JE	1	435030004R1	<DD, DC>
PCB3	R2036	C-CARBON R	RN72K1J-000JE	1	435030004R1	<DD, DC>
PCB3	R2044	C-CARBON R	RN72K1J-221JE	1	435032214R1	<DD, DC>
PCB3	R2046	C-CARBON R	RN72K1J-000JE	1	435030004R1	<DD, DC>
PCB3	R2047	METAL O R	RS1/2WBJ-22	1	443522204	<DD, DC>
PCB3	R4001	C-CARBON R	RN72K1J-750JE	1	435037504R1	
PCB3	R4002	C-CARBON R	RN72K1J-750JE	1	435037504R1	
PCB3	R4003	C-CARBON R	RN72K1J-750JE	1	435037504R1	
PCB3	R4004	C-CARBON R	RN72K1J-750JE	1	435037504R1	
PCB3	R4005	C-CARBON R	RN72K1J-750JE	1	435037504R1	
PCB3	R4006	C-CARBON R	RN72K1J-750JE	1	435037504R1	
PCB3	R4007	C-CARBON R	RN72K1J-750JE	1	435037504R1	
PCB3	R4008	C-CARBON R	RN72K1J-750JE	1	435037504R1	
PCB3	R4009	C-CARBON R	RN72K1J-750JE	1	435037504R1	
PCB3	R4010	C-CARBON R	RN72K1J-750JE	1	435037504R1	
PCB3	R4011	C-CARBON R	RN72K1J-750JE	1	435037504R1	
PCB3	R4012	C-CARBON R	RN72K1J-750JE	1	435037504R1	
PCB3	R4016	C-CARBON R	RN72K1J-750JE	1	435037504R1	
PCB3	R4017	C-CARBON R	RN72K1J-750JE	1	435037504R1	
PCB3	R4018	C-CARBON R	RN72K1J-750JE	1	435037504R1	
PCB3	R4019	C-CARBON R	RN72K1J-750JE	1	435037504R1	
PCB3	R4020	C-CARBON R	RN72K1J-750JE	1	435037504R1	
PCB3	R4021	C-CARBON R	RN72K1J-750JE	1	435037504R1	
PCB3	R4022	C-CARBON R	RN72K1J-750JE	1	435037504R1	
PCB3	R4023	C-CARBON R	RN72K1J-750JE	1	435037504R1	
PCB3	R4024	C-CARBON R	RN72K1J-750JE	1	435037504R1	

PCB3	R4025	C-CARBON R	RN72K1J-750JE	1	435037504R1
PCB3	R4026	C-CARBON R	RN72K1J-750JE	1	435037504R1
PCB3	R4027	C-CARBON R	RN72K1J-750JE	1	435037504R1
PCB3	R4028	C-CARBON R	RN72K1J-750JE	1	435037504R1
PCB3	R4029	C-CARBON R	RN72K1J-750JE	1	435037504R1
PCB3	R4030	C-CARBON R	RN72K1J-750JE	1	435037504R1
PCB3	R4031	C-CARBON R	RN72K1J-000JE	1	435030004R1
PCB3	R4032	C-CARBON R	RN72K1J-000JE	1	435030004R1
PCB3	R4033	C-CARBON R	RN72K1J-102JE	1	435031024R1
PCB3	R4034	C-CARBON R	RN72K1J-102JE	1	435031024R1
PCB3	R4035	C-CARBON R	RN72K1J-102JE	1	435031024R1
PCB3	R4036	C-CARBON R	RN72K1J-102JE	1	435031024R1
PCB3	R4037	C-CARBON R	RN72K1J-102JE	1	435031024R1
PCB3	R4038	C-CARBON R	RN72K1J-102JE	1	435031024R1
PCB3	R4039	C-CARBON R	RN72K1J-102JE	1	435031024R1
PCB3	R4040	C-CARBON R	RN72K1J-102JE	1	435031024R1
PCB3	R4041	C-CARBON R	RN72K1J-101JE	1	435031014R1
PCB3	R4042	C-CARBON R	RN72K1J-101JE	1	435031014R1
PCB3	R4043	C-CARBON R	RN72K1J-101JE	1	435031014R1
PCB3	R4044	C-CARBON R	RN72K1J-330JE	1	435033304R1
PCB3	R4045	C-CARBON R	RN72K1J-330JE	1	435033304R1
PCB3	R4046	C-CARBON R	RN72K1J-330JE	1	435033304R1
PCB3	R4047	C-CARBON R	RN72K1J-330JE	1	435033304R1
PCB3	R4048	C-CARBON R	RN72K1J-330JE	1	435033304R1
PCB3	R4049	C-CARBON R	RN72K1J-330JE	1	435033304R1
PCB3	R4050	C-CARBON R	RN72K1J-330JE	1	435033304R1
PCB3	R4051	C-CARBON R	RN72K1J-330JE	1	435033304R1
PCB3	R4052	C-CARBON R	RN72K1J-330JE	1	435033304R1
PCB3	R4053	C-CARBON R	RN72K1J-330JE	1	435033304R1
PCB3	R4054	C-CARBON R	RN72K1J-330JE	1	435033304R1
PCB3	R4055	C-CARBON R	RN72K1J-472JE	1	435034724R1
PCB3	R4056	C-CARBON R	RN72K1J-681JE	1	435036814R1
PCB3	R4057	C-CARBON R	RN72K1J-102JE	1	435031024R1
PCB3	R4058	C-CARBON R	RN72K1J-222JE	1	435032224R1
PCB3	R4059	C-CARBON R	RN72K1J-222JE	1	435032224R1
PCB3	R4060	C-CARBON R	RN72K1J-472JE	1	435034724R1
PCB3	R4061	C-CARBON R	RN72K1J-101JE	1	435031014R1
PCB3	R4063	C-CARBON R	RN72K1J-122JE	1	435031224R1
PCB3	R4064	C-CARBON R	RN72K1J-122JE	1	435031224R1
PCB3	R4065	C-CARBON R	RN72K1J-101JE	1	435031014R1
PCB3	R4067	C-CARBON R	RN72K1J-820JE	1	435038204R1
PCB3	R4068	C-CARBON R	RN72K1J-680JE	1	435036804R1
PCB3	R4074	C-CARBON R	RN72K1J-472JE	1	435034724R1
PCB3	R4075	C-CARBON R	RN72K1J-472JE	1	435034724R1
PCB3	R4076	C-CARBON R	RN72K1J-101JE	1	435031014R1
PCB3	R4077	C-CARBON R	RN72K1J-101JE	1	435031014R1
PCB3	R4078	C-CARBON R	RN72K1J-122JE	1	435031224R1
PCB3	R4079	C-CARBON R	RN72K1J-122JE	1	435031224R1
PCB3	R4080	C-CARBON R	RN72K1J-680JE	1	435036804R1
PCB3	R4081	C-CARBON R	RN72K1J-820JE	1	435038204R1
PCB3	R4082	C-CARBON R	RN72K1J-101JE	1	435031014R1
PCB3	R4084	C-CARBON R	RN72K1J-680JE	1	435036804R1
PCB3	R4085	C-CARBON R	RN72K1J-820JE	1	435038204R1
PCB3	R4086	C-CARBON R	RN72K1J-101JE	1	435031014R1
PCB3	R4088	C-CARBON R	RN72K1J-680JE	1	435036804R1
PCB3	R4089	C-CARBON R	RN72K1J-820JE	1	435038204R1
PCB3	R4090	C-CARBON R	RN72K1J-101JE	1	435031014R1
PCB3	R4092	C-CARBON R	RN72K1J-680JE	1	435036804R1
PCB3	R4093	C-CARBON R	RN72K1J-820JE	1	435038204R1
PCB3	R4094	C-CARBON R	RN72K1J-101JE	1	435031014R1
PCB3	R4096	C-CARBON R	RN72K1J-680JE	1	435036804R1
PCB3	R4097	C-CARBON R	RN72K1J-820JE	1	435038204R1

PCB3	R4098	C-CARBON R	RN72K1J-101JE	1	435031014R1	
PCB3	R4114	C-CARBON R	RN72K1J-680JE	1	435036804R1	
PCB3	R4115	C-CARBON R	RN72K1J-103JE	1	435031034R1	
PCB3	R4116	C-CARBON R	RN72K1J-222JE	1	435032224R1	
PCB3	R4117	C-CARBON R	RN72K1J-333JE	1	435033334R1	
PCB3	R4122	C-CARBON R	RN72K1J-000JE	1	435030004R1	
PCB3	R4133	C-CARBON R	RN72K1J-750JE	1	435037504R1	
PCB3	R4134	C-CARBON R	RN72K1J-750JE	1	435037504R1	
PCB3	R4135	C-CARBON R	RN72K1J-750JE	1	435037504R1	
PCB3	R4136	C-CARBON R	RN72K1J-330JE	1	435033304R1	
PCB3	R4159	C-CARBON R	RN72K1J-103JE	1	435031034R1	
PCB3	R4201	C-CARBON R	RN72K1J-750JE	1	435037504R1	
PCB3	R4202	C-CARBON R	RN72K1J-750JE	1	435037504R1	
PCB3	R4203	C-CARBON R	RN72K1J-750JE	1	435037504R1	
PCB3	R4204	C-CARBON R	RN72K1J-104JE	1	435031044R1	
PCB3	R4205	C-CARBON R	RN72K1J-104JE	1	435031044R1	
PCB3	R4206	C-CARBON R	RN72K1J-104JE	1	435031044R1	
PCB3	R4210	C-CARBON R	RN72K1J-104JE	1	435031044R1	
PCB3	R4211	C-CARBON R	RN72K1J-104JE	1	435031044R1	
PCB3	R4212	C-CARBON R	RN72K1J-104JE	1	435031044R1	
PCB3	R4213	C-CARBON R	RN72K1J-104JE	1	435031044R1	
PCB3	R4214	C-CARBON R	RN72K1J-104JE	1	435031044R1	
PCB3	R4215	C-CARBON R	RN72K1J-104JE	1	435031044R1	
PCB3	R6600	CARBON R	R16J-22	1	417342204	<PA>
PCB3	R6601	CARBON R	R16J-22	1	417342204	<PA>
PCB3	R6602	CARBON R	R16J-22	1	417342204	<PA>
PCB3	R6603	CARBON R	R16J-22	1	417342204	<PA>
PCB3	R6604	CARBON R	R16J-22	1	417342204	<PA>
PCB3	R6605	CARBON R	R16J-22	1	417342204	<PA>
PCB3	R6606	CARBON R	R16J-22	1	417342204	<PA>
PCB3	R6610	CARBON R	R16J-22	1	417342204	<PA>
PCB3	R6611	CARBON R	R16J-22	1	417342204	<PA>
PCB3	R6612	CARBON R	R16J-22	1	417342204	<PA>
PCB3	R6613	CARBON R	R16J-22	1	417342204	<PA>
PCB3	R6614	CARBON R	R16J-22	1	417342204	<PA>
PCB3	R6615	CARBON R	R16J-22	1	417342204	<PA>
PCB3	R6616	CARBON R	R16J-22	1	417342204	<PA>
PCB3	R6690	METAL O R	RS1/2WBJ-10	1	443521004	
PCB3	R6691	METAL O R	RS1/2WBJ-390	1	443523914	
PCB3	R6992	METAL O R	RS1/2WBJ-390	1	443523914	
PCB3	R9001	METAL R	RNU2WCJ-3.3	1	452730334F	
PCB3	R9002	METAL R	RNU2WCJ-3.3	1	452730334F	
PCB3	R9003	C-CARBON R	RN72K1J-822JE	1	435038224R1	
PCB3	R9004	C-CARBON R	RN72K1J-333JE	1	435033334R1	
PCB3	R9005	METAL O R	RS1/2WBJ-220	1	443522214	
PCB3	R9006	C-CARBON R	RN72K1J-822JE	1	435038224R1	
PCB3	R9007	METAL R	RNU1/2WCJ-2.2	1	453530224	
PCB3	R9008	C-CARBON R	RN72K1J-152JE	1	435031524R1	
PCB3	R9009	METAL O R	RS1/2WBJ-10	1	442521004F	
PCB3	R9011	METAL R	RNU1/2WCJ-4.7	1	453530474	
PCB3	R9012	C-CARBON R	RN72K1J-010JE	1	435030104R1	
PCB3	R9013	C-CARBON R	RN72K1J-010JE	1	435030104R1	
PCB3	R9014	C-CARBON R	RN72K1J-104JE	1	435031044R1	
PCB3	R9017	C-CARBON R	RN72K1J-000JE	1	435030004R1	<PA>
PCB3	R9018	C-CARBON R	RN72K1J-000JE	1	435030004R1	<DD, DC>
PCB3	R9020	C-CARBON R	RN72K1J-103JE	1	435031034R1	
PCB3	R9021	C-CARBON R	RN72K1J-152JE	1	435031524R1	
PCB3	R9022	C-CARBON R	RN72K1J-104JE	1	435031044R1	
PCB3	R9023	C-CARBON R	RN72K1J-682JE	1	435036824R1	
PCB3	R9024	C-CARBON R	RN72K1J-333JE	1	435033334R1	
PCB3	R9027	C-CARBON R	RN72K1J-103JE	1	435031034R1	
PCB3	R9028	METAL R	RNU1/2WCJ-0.47	1	453534794	

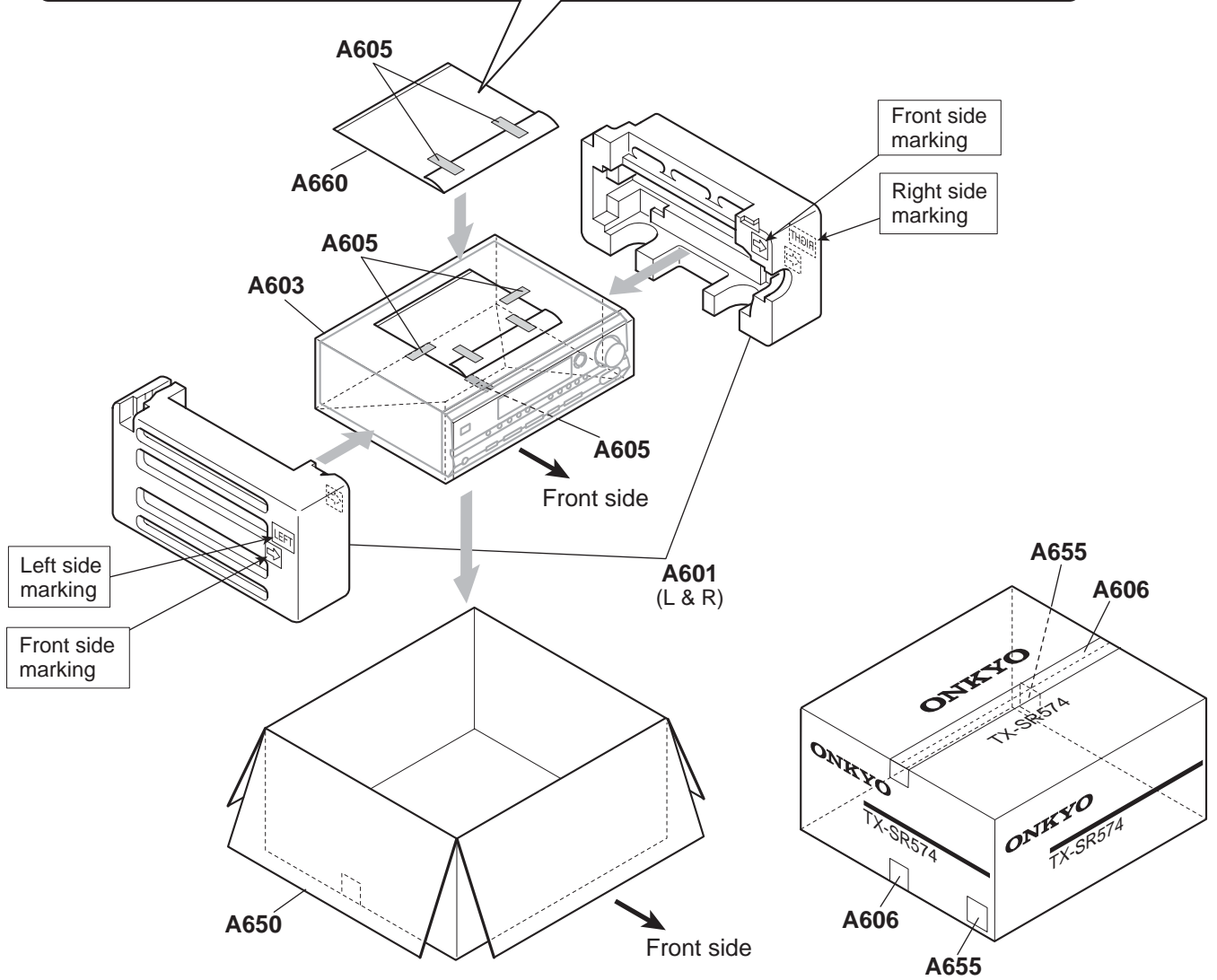
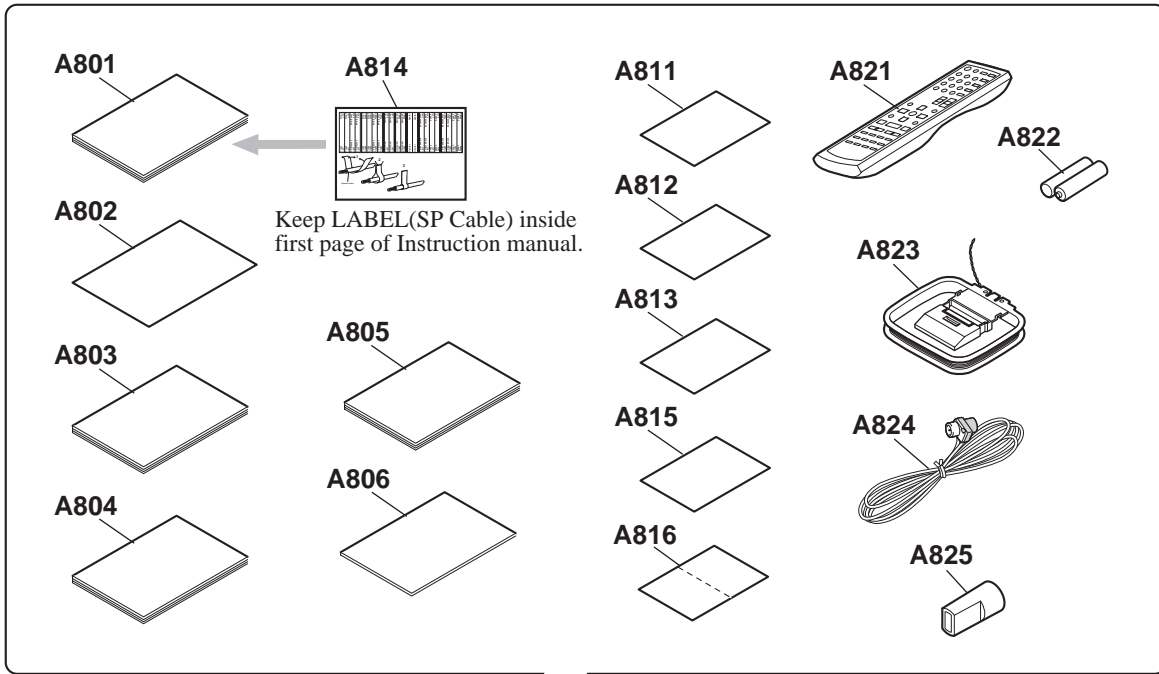
PCB3	RL6600	RELAY	NRL-2P5A-DC24-158	1	25065618	
PCB3	RL6600 or	RELAY	NRL-2P5A-DC24-129	(1)	25065563A	
PCB3	RL6602	RELAY	NRL-2P5A-DC24-158	1	25065618	
PCB3	RL6602 or	RELAY	NRL-2P5A-DC24-129	(1)	25065563A	
PCB3	RL6603	RELAY	NRL-2P5A-DC24-158	1	25065618	
PCB3	RL6603 or	RELAY	NRL-2P5A-DC24-129	(1)	25065563A	
PCB3	RL6605	RELAY	NRL-2P5A-DC24-158	1	25065618	
PCB3	RL6605 or	RELAY	NRL-2P5A-DC24-129	(1)	25065563A	
PCB3	RL6607	RELAY	NRL-2P5A-DC24-158	1	25065618	
PCB3	RL6607 or	RELAY	NRL-2P5A-DC24-129	(1)	25065563A	
PCB3	X171	CRYSTAL	HC-49U524.576MHz	1	3010423	
PCB3	X171 or	CRYSTAL	HC-49/U03-24.576M	(1)	3010314	
PCB3	X701	CERA LOCK	CSTCR6M0055-R0	1	3010397R2	
PCB3	X2001	CRYSTAL	DSX840GA 45.1584MHz	1	3010420R2	<DD, DC>
PCB3	X2001 or	CRYSTAL	FCX-02N 45.1584MHz	(1)	3010421R2	<DD, DC>
PCB3	X4003	CRYSTAL	FCX-03-28.6363MHz	1	3010408R2	
PCB3	P101A	SOCKET	NSCT-13P2106	1	25052209	
PCB3	P131	PIN JACK	NPJ-1PDO554	1	25045772	
PCB3	P131 or	PIN JACK	NPJ-1PDBL291	(1)	25045473	
PCB3	P302A	SOCKET	NSCT-14P2194	1	25052297	
PCB3	P303A	SOCKET	NSCT-14P2194	1	25052297	
PCB3	P304A	SOCKET	NSCT-3P2183	1	25052286	
PCB3	P701A	SOCKET	52492-2620	1	25053109	
PCB3	P702	HOLDER	HOLDER(CLAMP)	1	27190540-1	
PCB3	P777	SHLD PLT	---	1	27150508A	
PCB3	P2001	SOCKET	CAM-C16	1	25053104R2	<DD, DC>
PCB3	P2004A	PLUG	IMSA-9163B-10G	1	25056587A	
PCB3	P2004B	SOCKET	IMSA-9163S-10A	1	25053107	
PCB3	P2005A	PLUG	IMSA-9163B-16G	1	25056588A	
PCB3	P2005B	SOCKET	IMSA-9163S-16A	1	25053108	
PCB3	P2006A	PLUG	IMSA-9163B-04G	1	25056586A	
PCB3	P2006B	SOCKET	IMSA-9163S-04A	1	25053106	
PCB3	P4001	PIN JACK	NPJ-9PDGLRGLRGLR563	1	25045781	
PCB3	P4001 or	PIN JACK	NPJ-9PDGLR519	(1)	25045731	
PCB3	P4002	PIN JACK	NPJ-3PDGLR620	1	25045841	
PCB3	P4002 or	PIN JACK	NPJ-3PDGLR623	(1)	25045844	
PCB3	P4004	PIN JACK	NPJ-10PDBY621	1	25045842	
PCB3	P4004 or	PIN JACK	NPJ-10PDBY478	(1)	25045681	
PCB3	P4005	PIN JACK	NPJ-10PDBY621	1	25045842	
PCB3	P4005 or	PIN JACK	NPJ-10PDBY478	(1)	25045681	
PCB3	P4006	PIN JACK	NPJ-5PDBY622	1	25045843	
PCB3	P4006 or	PIN JACK	NPJ-5PDBY479	(1)	25045682	
PCB3	P4011	HOLDER	HOLDER(CLAMP)	1	27190540-1	
PCB3	P4014	SHLD PLT	---	1	27150512	
PCB3	P6601	TRM	NTM-6PDMC392	1	25060463	
PCB3	P6602	TRM	NTM-8PDMC393	1	25060464	
PCB3	J401	PVC	1007#24 .2/7HAND B	1	---	NSP
PCB3	J402	PVC	1007#24 .2/7HAND BL	1	---	NSP
PCB3	J403	PVC	1007#24 .2/7HAND B	1	---	NSP
PCB3	JL101	JUMPER LEAD	JL9 200 B	1	---	NSP, <DD, DC>
PCB3	JL101A	WIRE HOL	NSCT-9P880	1	25051093	<DD, DC>
PCB3	JL101B	WIRE TRAP	NPLG-9P592	1	25055630	<DD, DC>
PCB3	JL703B	WIRE TRAP	NPLG-3P586	1	25055624	
PCB3	JL901B	WIRE TRAP	NPLG-5P588	1	25055626	
PCB3	JL5502B	WIRE TRAP	NPLG-7P590	1	25055628	<DD, DC>
PCB3	JL6600B	SOCKET	NSCT-7P99	1	25050271	
PCB3	JL6603B	SOCKET	NSCT-9P101	1	25050273	
PCB3	JL6604B	SOCKET	NSCT-4P96	1	25050268	
PCB3	JL6605B	SOCKET	NSCT-5P97	1	25050269	
PCB3	JL9101B	SOCKET	NSCT-6P98	1	25050270	
PCB3	E2001	TRM(SCREW)	M3	1	25065425	<DD, DC>
PCB3	E2002	TRM(SCREW)	M3	1	25065425	<DD, DC>

PCB3	E2003	RETAINER	(XM)	1	27142044	<DD, DC>
------	-------	----------	------	---	----------	----------

TX-SR574**PACKING PROCEDURES PARTS LIST**

	REF. NO.	PART NAME	DESCRIPTION	Q'TY	PART NO. (SN)	REMARKS
PV	A601	PAD	AS	1	29092307A	
PV	A603	POLY BAG	POLY BAG(850 x 650)	1	29100034-1A	
PV	A605	TAPE	NITTO NO.29	(1)	29110149	
PV	A606	PP TAPE	W48 OPP TAPE	(1)	29110148	
PV	A650	CARTON	TX-SR574(B)MDD	1	29054505B	(B), <DD>
PV	A650	CARTON	TX-SR574(B)MDC	1	29054506B	(B), <DC>
PV	A650	CARTON	TX-SR574(B)MPA	1	29054498B	(B), <PA>
PV	A650	CARTON	TX-SR574(S)MDC	1	29054507B	(S), <DC>
PV	A650	CARTON	TX-SR574(S)MPA	1	29054499B	(S), <PA>
PV	A655	UPC LABEL	574(B)	1	29364416	(B), <DD, DC>
PV	A655	EAN LABEL	574(B)	1	29364418	(B), <PA>
PV	A655	UPC LABEL	574(S)	1	29364417	(S), <DC>
PV	A655	EAN LABEL	574(S)	1	29364419	(S), <PA>
PV	A660	POLY BAG	350 x 250	1	29100097-1A	
PV	A801	INS MANUAL	En(TX-SR574)	1	29344194	
PV	A802	INS MANUAL	En-DIG(TX-SR574)	1	29344195	<DD>
PV	A803	INS MANUAL	FrEs(TX-SR574)	1	29344196	<DC>
PV	A804	INS MANUAL	En(TX-SR574XM)	1	29344275	<DD, DC>
PV	A805	INS MANUAL	FrEs(TX-SR574XM)	1	29344276	<DC>
PV	A806	INS MANUAL	U9(RC647/649/650/651)	1	29344188B	
PV	A811	INST SHEET	XM RADIO(E)	1	29355538	<DD, DC>
PV	A812	INST SHEET	ERRATA(OPT)	1	29355561	
PV	A813	INST SHEET	ERRATA(SP)	1	29355562	
PV	A814	LABEL	(SP CABLE)	1	29363059A	
PV	A815	HANDBILL	(DS-A2)US	1	29380145	<DD, DC>
PV	A815	HANDBILL	(DS-A2)AUS	1	29380147	<PA>
PV	A816	WRNTY CARD	(ONKYO)	1	29365102A	<DD, DC>
PV	A821	REMO CON	RC-647M	1	24140647	
PV	A822	BATTERY	R6/AA(UM-3)	2	3010194	
PV	A822 or	BATTERY	R6/AA(UM-3)	(2)	3010054	
PV	A823	ANT COIL	NMA-3057	1	232140	
PV	A824	FM ANT AS	Type W	1	292191	
PV	A825	TRM	(WRENCH)	1	25060468	

PACKING PROCEDURE



ONKYO CORPORATION

Sales & Product Planning Div. : 2-1, Nisshin-cho, Neyagawa-shi, OSAKA 572-8540, JAPAN
Tel: 072-831-8023 Fax: 072-831-8124

ONKYO U.S.A. CORPORATION

18 Park Way, Upper Saddle River, N.J. 07458, U.S.A.
Tel: 201-785-2600 Fax: 201-785-2650 <http://www.us.onkyo.com/>

ONKYO EUROPE ELECTRONICS GmbH

Liegnitzerstrasse 6, 82194 Groebenzell, GERMANY
Tel: +49-8142-4401-0 Fax: +49-8142-4401-555 <http://www.eu.onkyo.com/>

ONKYO EUROPE UK Office

Suite 1, Gregories Court, Gregories Road, Beaconsfield, Buckinghamshire, HP9 1HQ
UNITED KINGDOM Tel: +44-(0)1494-681515 Fax: +44(0)-1494-680452

ONKYO CHINA LIMITED

Units 2102-2107, Metroplaza Tower I, 223 Hing Fong Road, Kwai Chung,
N.T., HONG KONG Tel: 852-2429-3118 Fax: 852-2428-9039
<http://www.ch.onkyo.com/>

