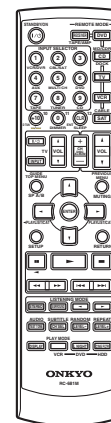
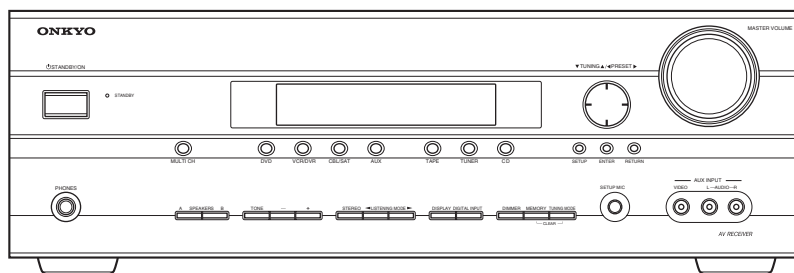


ONKYO SERVICE MANUAL

AV RECEIVER MODEL TX-SR575




RC-681M

Black and Silver models

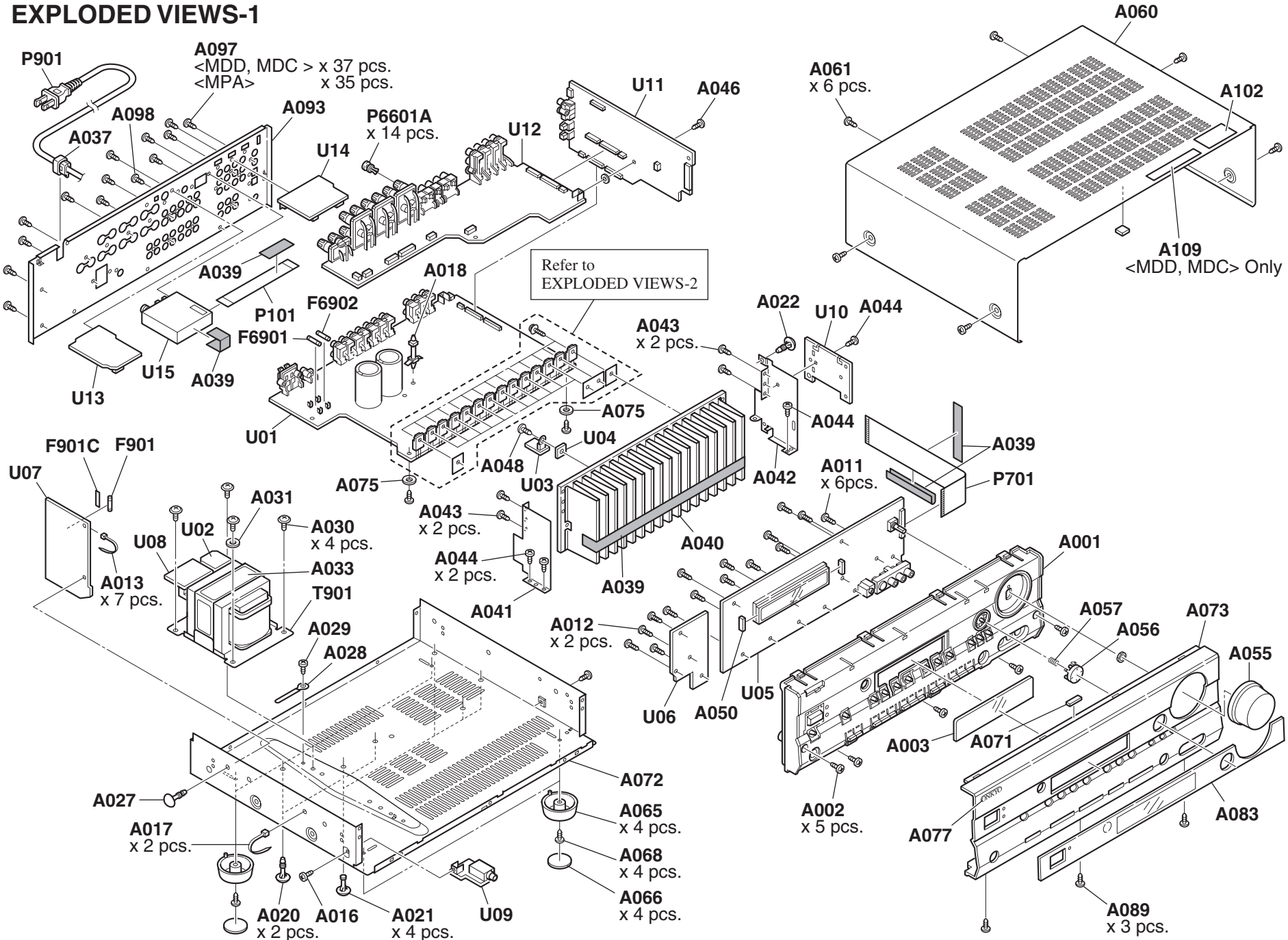
B MDD	120V AC, 60Hz
B MDC, S MDC	120V AC, 60Hz
B MPA, S MPA	230V AC, 50Hz

SAFETY-RELATED COMPONENT WARNING!!

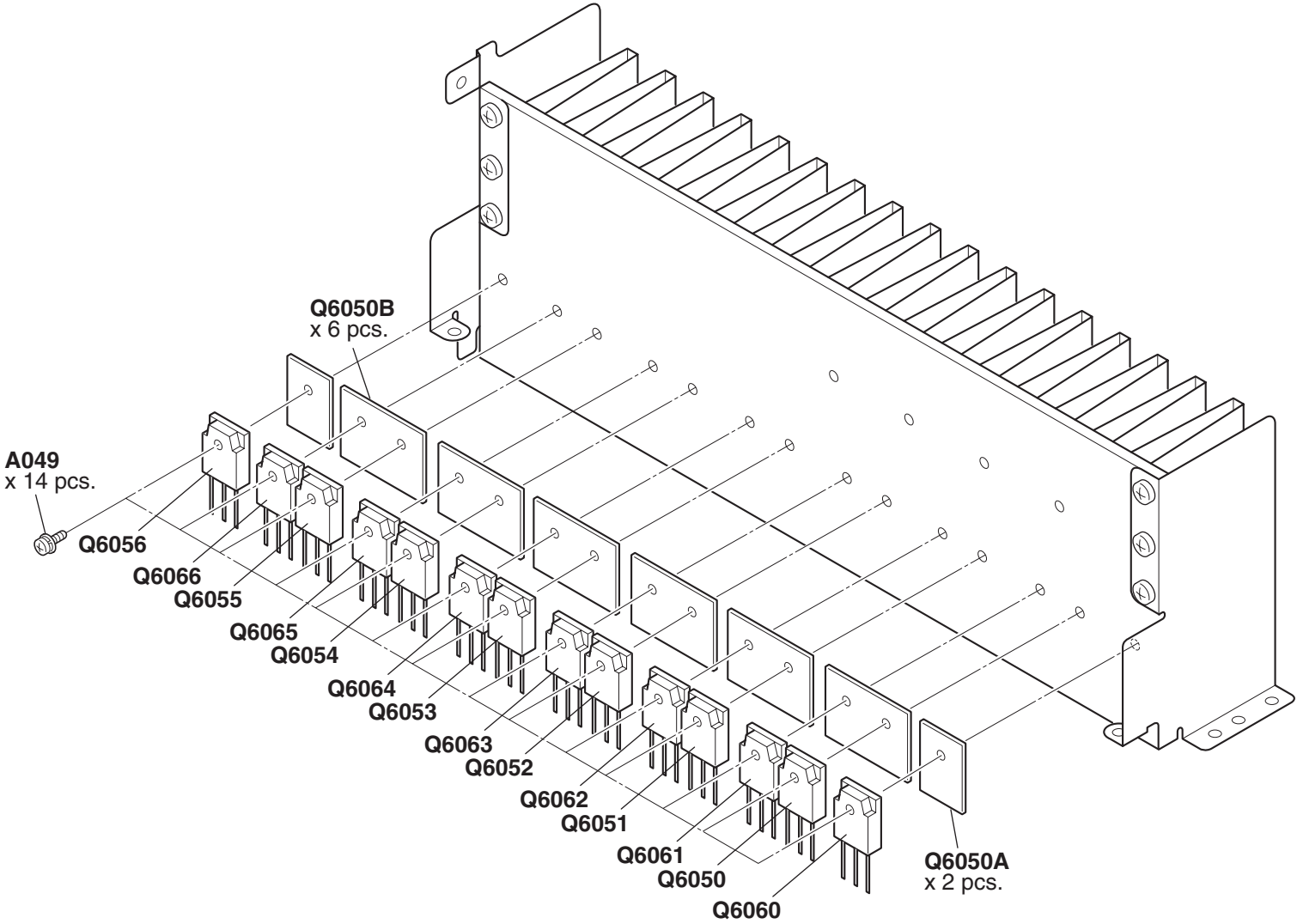
COMPONENTS IDENTIFIED BY MARK  ON THE SCHEMATIC DIAGRAM AND IN THE PARTS LIST ARE CRITICAL FOR RISK OF FIRE AND ELECTRIC SHOCK. REPLACE THESE COMPONENTS WITH ONKYO PARTS WHOSE PART NUMBERS APPEAR AS SHOWN IN THIS MANUAL.

MAKE LEAKAGE-CURRENT OR RESISTANCE MEASUREMENTS TO DETERMINE THAT EXPOSED PARTS ARE ACCEPTABLY INSULATED FROM THE SUPPLY CIRCUIT BEFORE RETURNING THE APPLIANCE TO THE CUSTOMER.

EXPLODED VIEWS-1



EXPLODED VIEWS-2



A

B

C

D

BLOCK DIAGRAMS-1

AUDIO SECTION

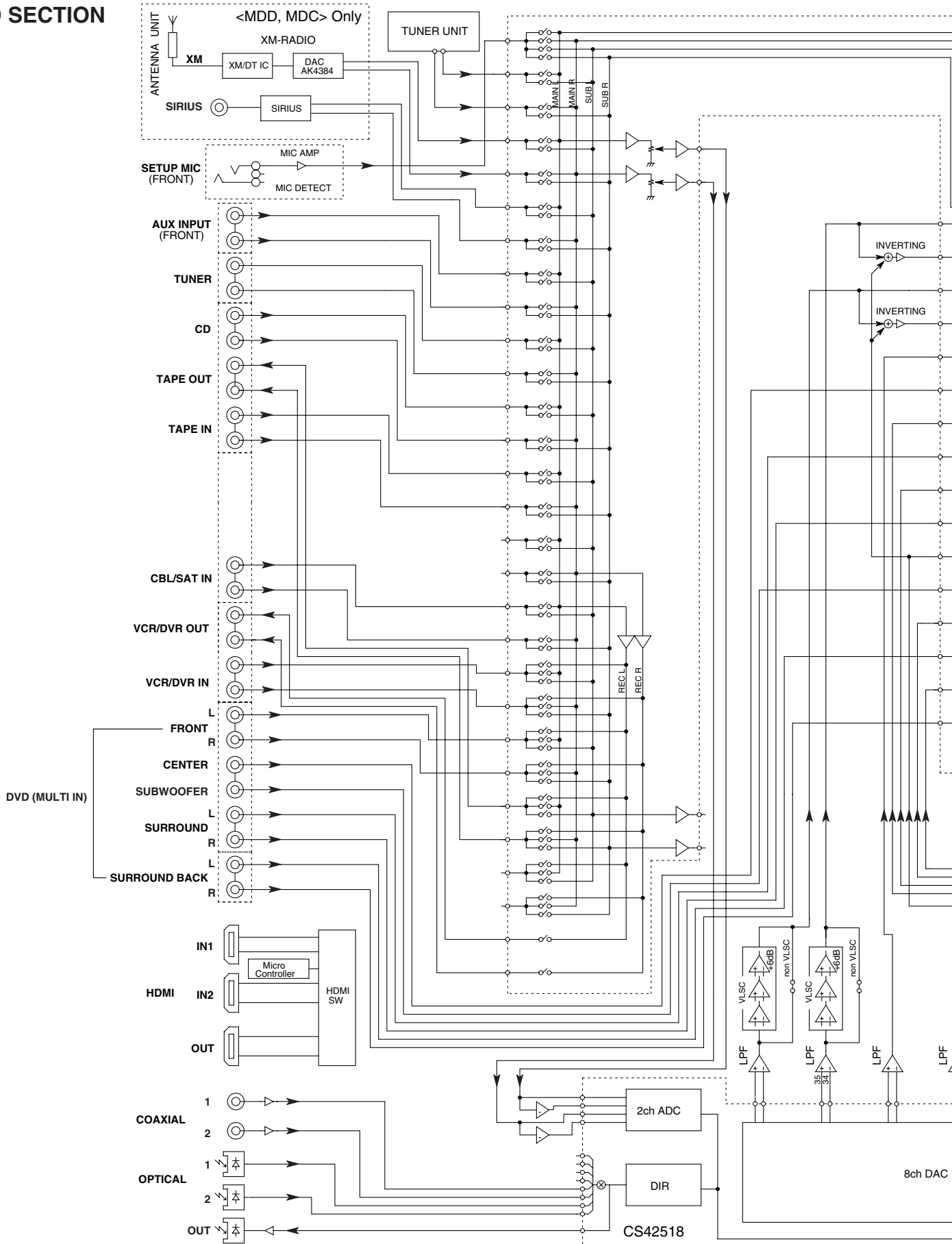
1

2

3

4

5

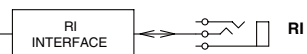
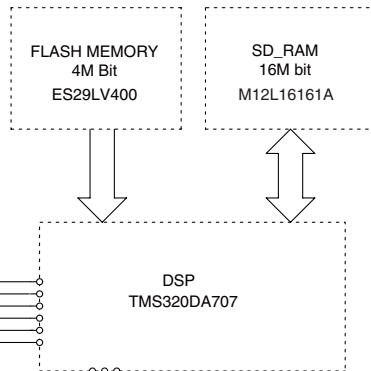
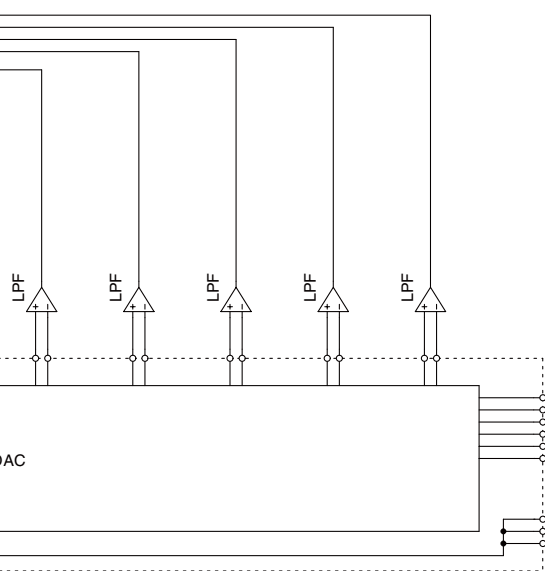
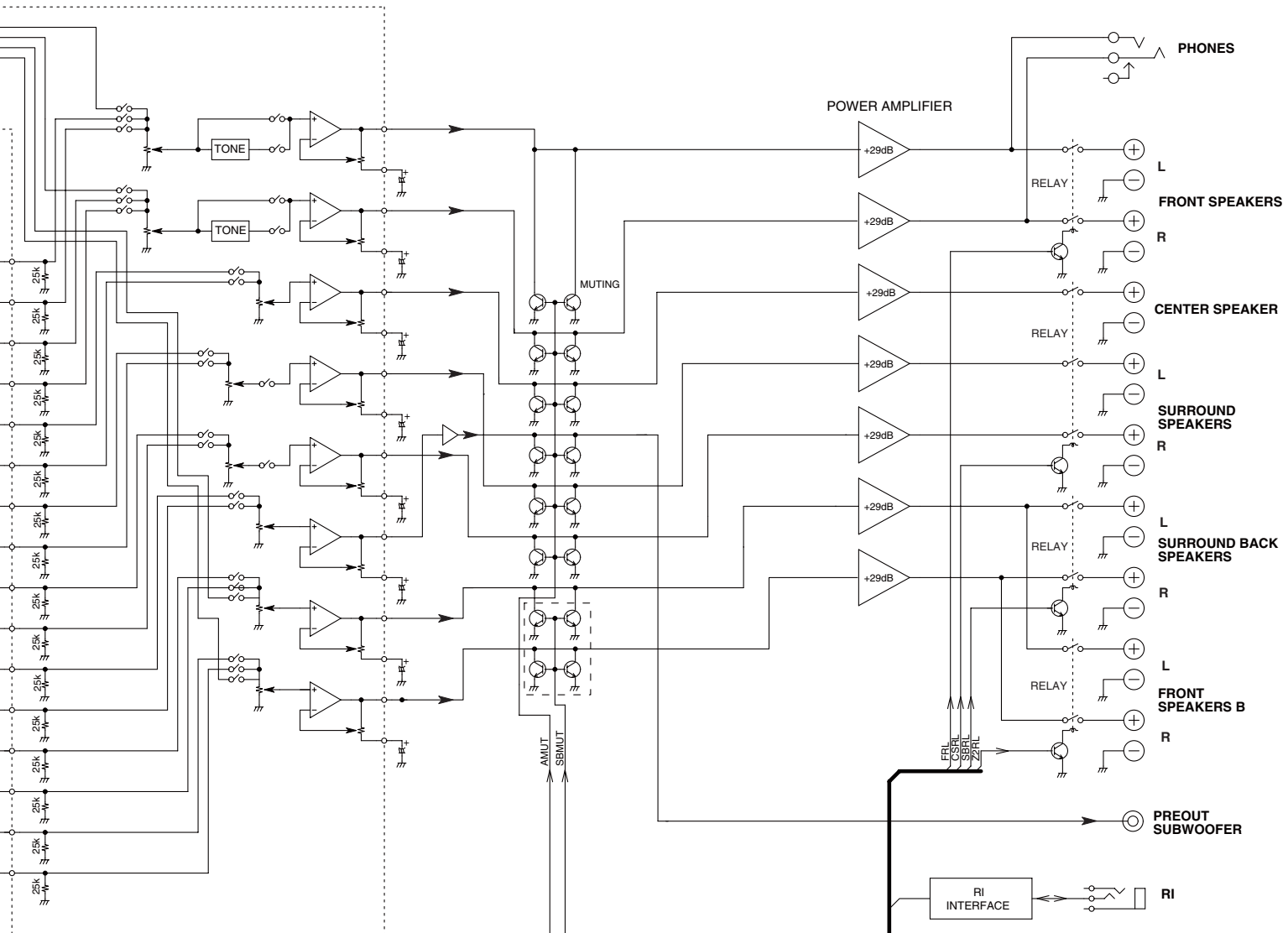


E

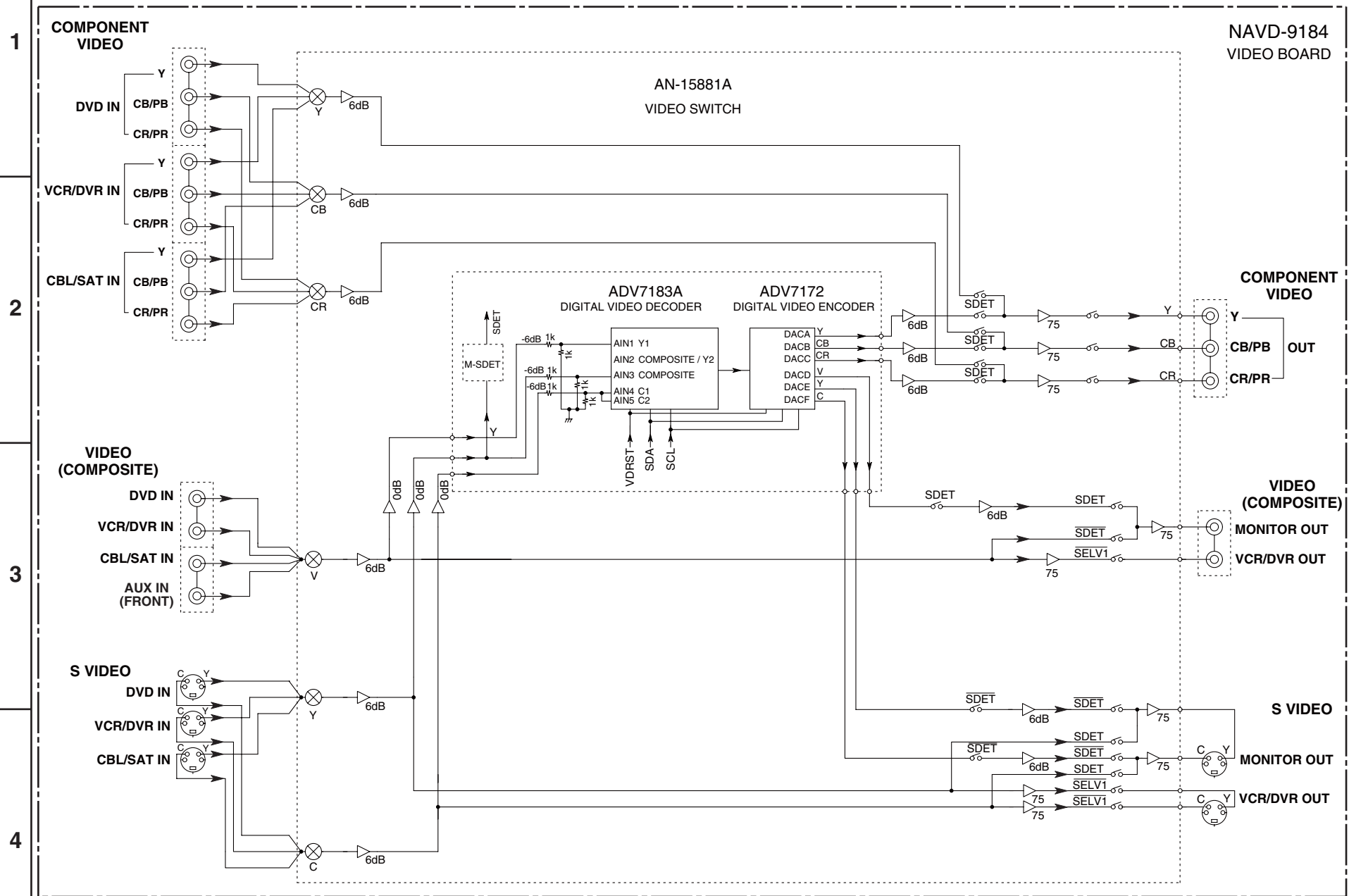
F

G

H



BLOCK DIAGRAMS-2
VIDEO SECTION



SCHEMATIC DIAGRAMS-1

AUDIO INPUT SECTION

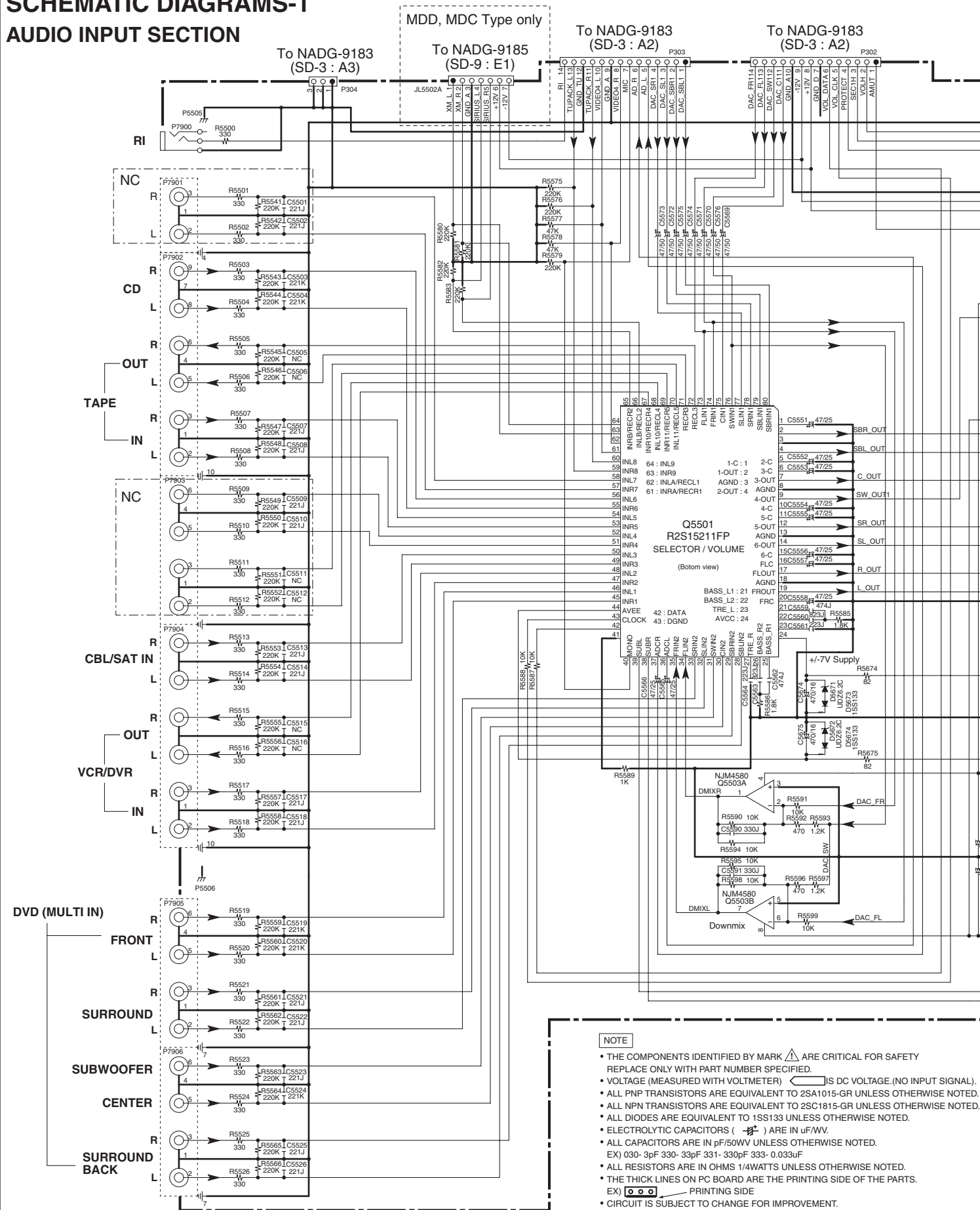
1

2

3

4

5

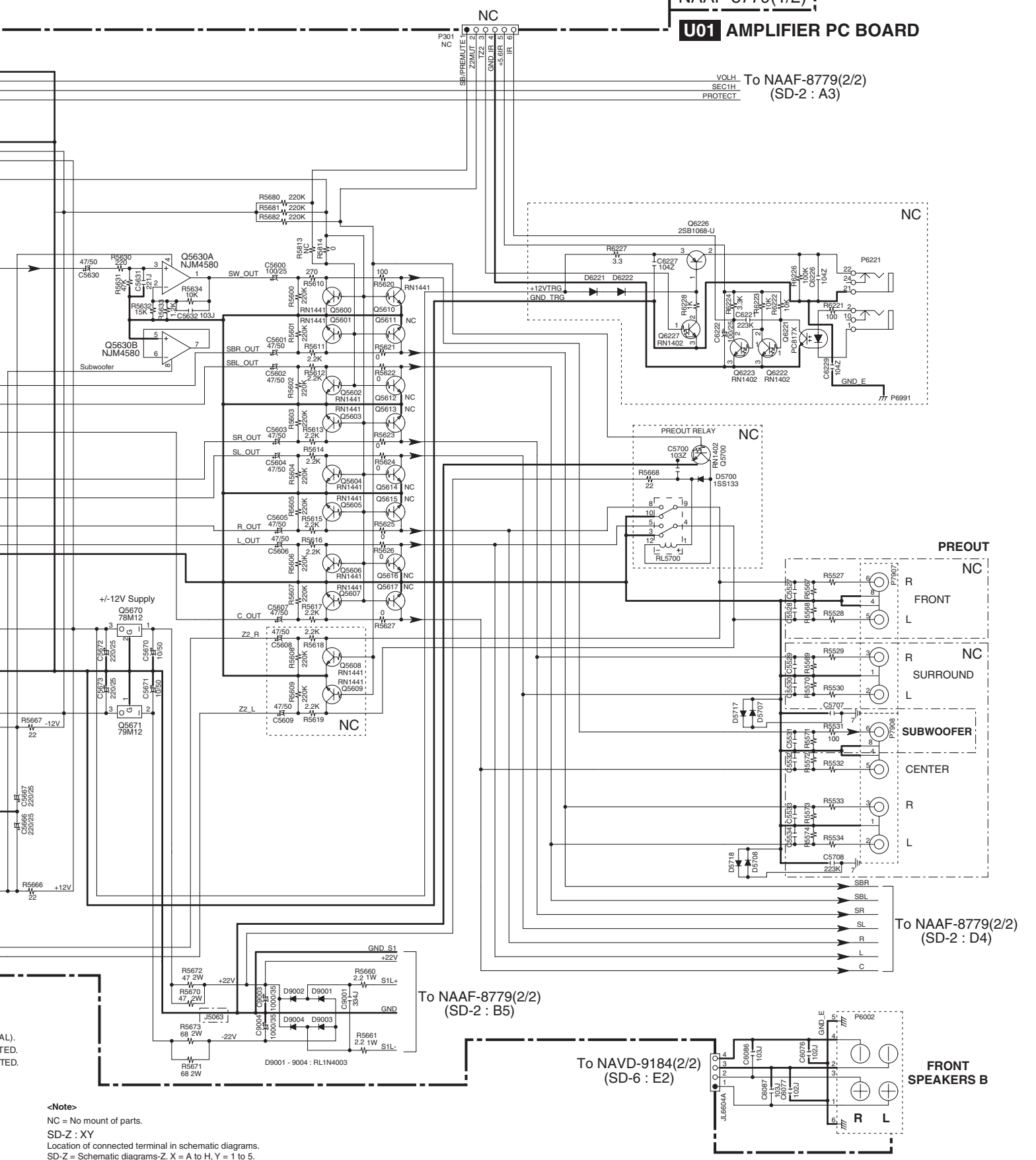


NOTE

- THE COMPONENTS IDENTIFIED BY MARK Δ ARE CRITICAL FOR SAFETY. REPLACE ONLY WITH PART NUMBER SPECIFIED.
- VOLTAGE (MEASURED WITH VOLTMETER) \leftarrow IS DC VOLTAGE (NO INPUT SIGNAL).
- ALL PNP TRANSISTORS ARE EQUIVALENT TO 2SA1015-GR UNLESS OTHERWISE NOTED.
- ALL NPN TRANSISTORS ARE EQUIVALENT TO 2SC1815-GR UNLESS OTHERWISE NOTED.
- ALL DIODES ARE EQUIVALENT TO 1SS133 UNLESS OTHERWISE NOTED.
- ELECTROLYTIC CAPACITORS ($\text{---} \text{---} \text{---}$) ARE IN $\mu\text{F/WV}$.
- ALL CAPACITORS ARE IN pF/50WV UNLESS OTHERWISE NOTED.
EX) 030- 3pF 330- 33pF 331- 330pF 333- 0.033uF
- ALL RESISTORS ARE IN OHMS 1/4WATTS UNLESS OTHERWISE NOTED.
- THE THICK LINES ON PC BOARD ARE THE PRINTING SIDE OF THE PARTS.
EX) $\text{---} \text{---} \text{---}$ PRINTING SIDE
- CIRCUIT IS SUBJECT TO CHANGE FOR IMPROVEMENT.

NAAF-8779(1/2)

U01 AMPLIFIER PC BOARD



VolH To NAAF-8779(2/2)
SECH1 (SD-2 : A3)
PROTECT

To NAAF-8779(2/2)
(SD-2 : B5)

To NAVD-9184(2/2)
(SD-6 : E2)

To NAAF-8779(2/2)
(SD-2 : D4)

FRONT
SPEAKERS B

<Note>
 NC = No mount of parts.
 SD-Z : XY
 Location of connected terminal in schematic diagrams.
 SD-Z = Schematic diagrams-Z. X = A to H, Y = 1 to 5.

SCHEMATIC DIAGRAMS-2 POWER AMPLIFIER SECTION

NAAF-8779(2/2)

U01 AMPLIFIER PC BOARD

<Note>

NC = No mount of parts.
SD-Z : XY
Location of connected terminal in schematic diagrams.
SD-Z = Schematic diagrams-Z. X = A to H, Y = 1 to 5.

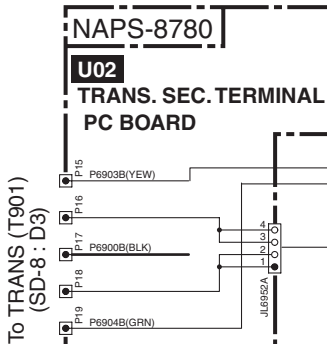
NOTE

- THE COMPONENTS IDENTIFIED BY MARK \triangle ARE CRITICAL FOR SAFETY REPLACE ONLY WITH PART NUMBER SPECIFIED.
- VOLTAGE (MEASURED WITH VOLTMETER) \leftarrow IS DC VOLTAGE. (NO INPUT SIGNAL).
- ALL PNP TRANSISTORS ARE EQUIVALENT TO 2SA1015-GR UNLESS OTHERWISE NOTED.
- ALL NPN TRANSISTORS ARE EQUIVALENT TO 2SC1815-GR UNLESS OTHERWISE NOTED.
- ALL DIODES ARE EQUIVALENT TO 1SS133 UNLESS OTHERWISE NOTED.
- ELECTROLYTIC CAPACITORS (---) ARE IN $\mu\text{F/W}$.
- ALL CAPACITORS ARE IN pF/50WV UNLESS OTHERWISE NOTED.
EX) 030-3pF 330-33pF 331-330pF 333-0.033 μF
- ALL RESISTORS ARE IN OHMS 1/4WATTS UNLESS OTHERWISE NOTED.
- THE THICK LINES ON PC BOARD ARE THE PRINTING SIDE OF THE PARTS.
- \square PRINTING SIDE
- CIRCUIT IS SUBJECT TO CHANGE FOR IMPROVEMENT.

Refer to following table about the parts displayed by mark "LIST".

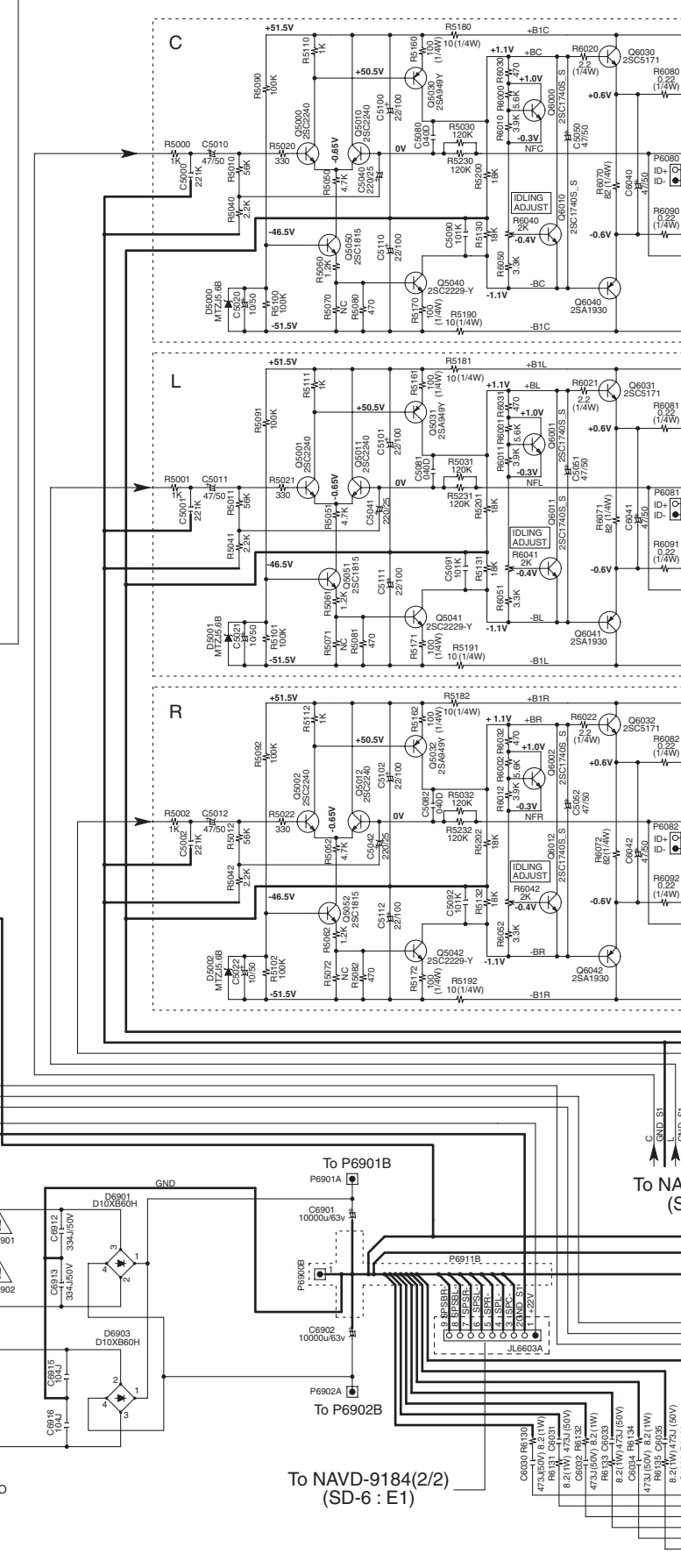
Q650 - 52	Q653- 56	Q6060- 62	Q6063 - 66
MN130	MN130	MP130	MP130
	KTC5242		KTA1962

To NAAF-8779(1/2)
(SD-1 : H1)



From Audio I/O

To NAVD-9184(2/2)
(SD-6 : E1)



SCHEMATIC DIAGRAMS-3

DSP SECTION


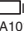

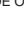
NAETC-8781
U03
THERMAL SENSOR
PC BOARD

To NAAF-8779(1/2)
 (SD-1 : D1)

To NAAF-8779(1/2)
 (SD-1 : C1)

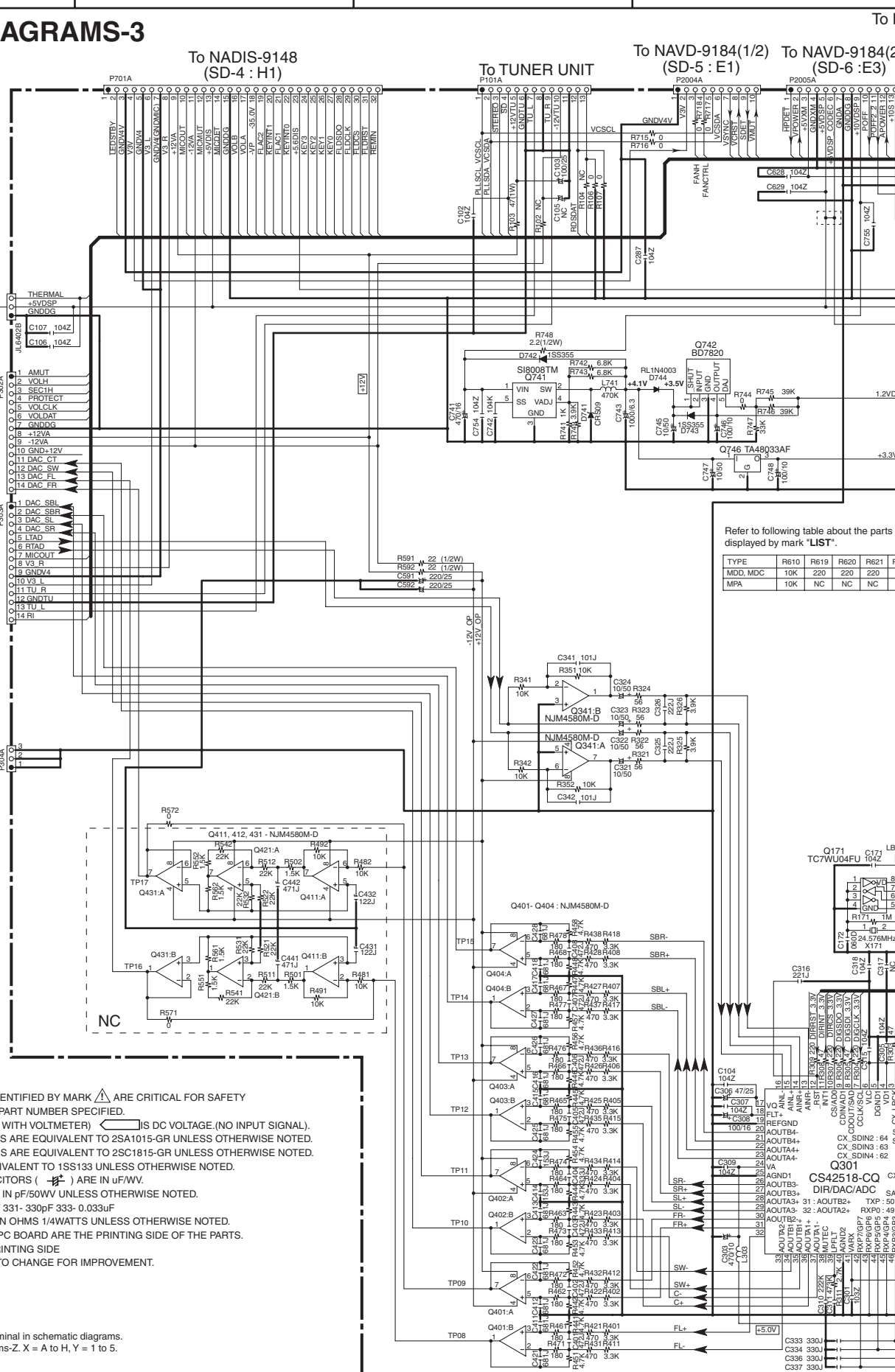
To NAAF-8779(1/2)
 (SD-1 : B1)

NOTE

- THE COMPONENTS IDENTIFIED BY MARK  ARE CRITICAL FOR SAFETY. REPLACE ONLY WITH PART NUMBER SPECIFIED.
- VOLTAGE (MEASURED WITH VOLTMETER)  IS DC VOLTAGE.(NO INPUT SIGNAL).
- ALL PNP TRANSISTORS ARE EQUIVALENT TO 2SA1015-GR UNLESS OTHERWISE NOTED.
- ALL NPN TRANSISTORS ARE EQUIVALENT TO 2SC1815-GR UNLESS OTHERWISE NOTED.
- ALL DIODES ARE EQUIVALENT TO 1SS133 UNLESS OTHERWISE NOTED.
- ELECTROLYTIC CAPACITORS () ARE IN uF/WV.
- ALL CAPACITORS ARE IN pF/50WV UNLESS OTHERWISE NOTED.
 EX) 030- 3pF 330- 33pF 331- 330pF 333- 0.033uF
- ALL RESISTORS ARE IN OHMS 1/4WATTS UNLESS OTHERWISE NOTED.
- THE THICK LINES ON PC BOARD ARE THE PRINTING SIDE OF THE PARTS.
 EX)  PRINTING SIDE
- CIRCUIT IS SUBJECT TO CHANGE FOR IMPROVEMENT.

<Note>

NC = No mount of parts.
 SD-Z : XY
 Location of connected terminal in schematic diagrams.
 SD-Z = Schematic diagrams-Z. X = A to H, Y = 1 to 5.



Refer to following table about the parts displayed by mark "LIST".

TYPE	R610	R619	R620	R621	R622
MDD, MDC	10K	220	220	220	10K
MPA	10K	NC	NC	NC	10K

A

B

C

D

**SCHEMATIC DIAGRAMS-4
DISPLAY SECTION**

1

NOTE

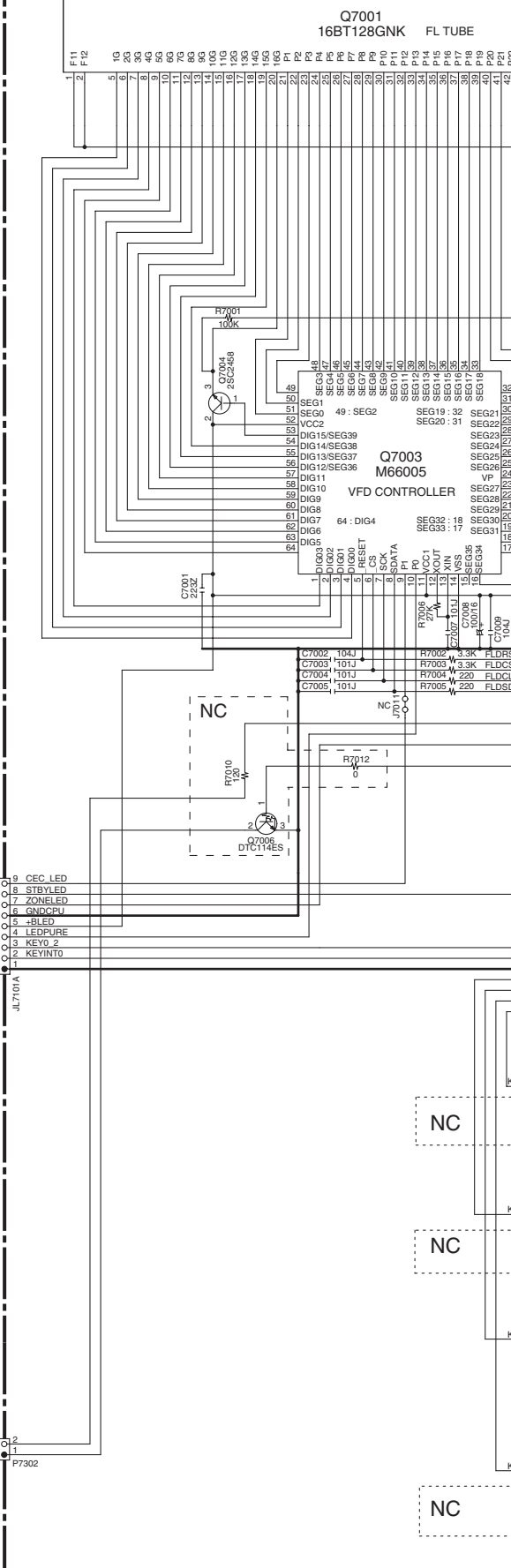
- THE COMPONENTS IDENTIFIED BY MARK \triangle ARE CRITICAL FOR SAFETY REPLACE ONLY WITH PART NUMBER SPECIFIED.
- VOLTAGE (MEASURED WITH VOLTMETER) \leftarrow IS DC VOLTAGE.(NO INPUT SIGNAL).
- ALL PNP TRANSISTORS ARE EQUIVALENT TO 2SA1015-GR UNLESS OTHERWISE NOTED.
- ALL NPN TRANSISTORS ARE EQUIVALENT TO 2SC1815-GR UNLESS OTHERWISE NOTED.
- ALL DIODES ARE EQUIVALENT TO 1SS133 UNLESS OTHERWISE NOTED.
- ELECTROLYTIC CAPACITORS ($\text{---} \text{---} \text{---}$) ARE IN $\mu\text{F/WV}$.
- ALL CAPACITORS ARE IN $\text{pF}/50\text{WV}$ UNLESS OTHERWISE NOTED.
EX) 030- 3pF 330- 33pF 331- 330pF 333- 0.033 μF
- ALL RESISTORS ARE IN OHMS 1/4WATTS UNLESS OTHERWISE NOTED.
- THE THICK LINES ON PC BOARD ARE THE PRINTING SIDE OF THE PARTS.
EX) $\square \square \square$ PRINTING SIDE
- CIRCUIT IS SUBJECT TO CHANGE FOR IMPROVEMENT.

<Note>

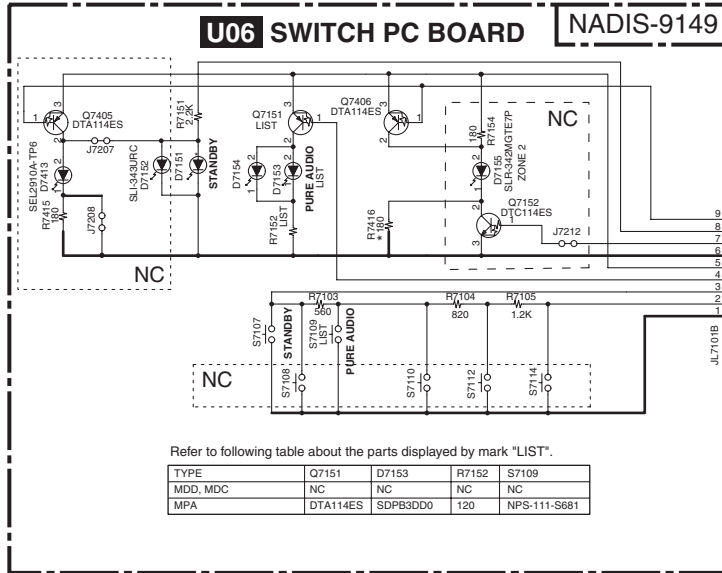
NC = No mount of parts.
SD-Z : XY
Location of connected terminal in schematic diagrams.
SD-Z = Schematic diagrams-Z. X = A to H, Y = 1 to 5.

2

NADIS-9148 U05 DISPLAY PC BOARD



3



4

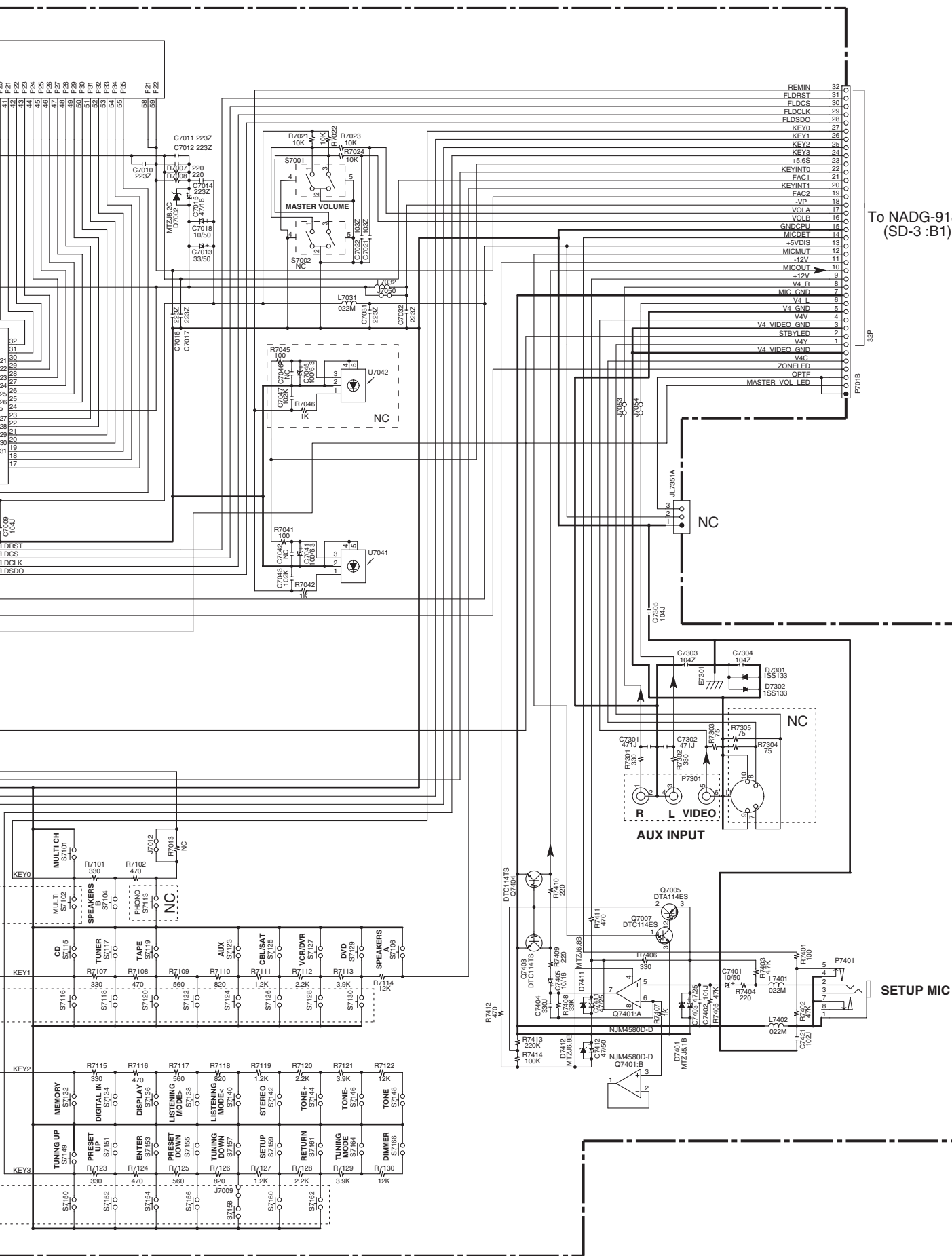
5

E

F

G

H



To NADG-9183 (SD-3:B1)

- P21
- P22
- P23
- P24
- P25
- P26
- P27
- P28
- P29
- P30
- P31
- P32
- P33
- P34
- P35
- F21
- F22
- C7009 104J
- LDST
- LDCS
- LDCLK
- LDSDO
- KEY0
- KEY1
- KEY2
- KEY3

- REMIN 32
- FDRST 31
- FLDCS 30
- FLCLK 29
- FLSDO 28
- KEY0 27
- KEY1 26
- KEY2 25
- KEY3 24
- +5.6S 23
- KEYINT0 22
- FAC1 21
- KEYINT1 20
- FAC2 19
- +VP 18
- VOLA 17
- VOLB 16
- GNDGPU 15
- MICDET 14
- +VDS 13
- MICMUT 12
- 12V 11
- MICOUT 9
- +12V 8
- V4 R 7
- MIC GND 6
- V4 L 5
- V4 GND 4
- V4V 3
- V4 VIDEO GND 2
- STRYLED 1
- V4V 1
- V4 VIDEO GND 1
- V4C 1
- ZONELED 1
- QPT 1
- MASTER VOL LED 1
- P701B
- 32P

SETUP MIC

SCHEMATIC DIAGRAMS-5

VIDEO SECTION

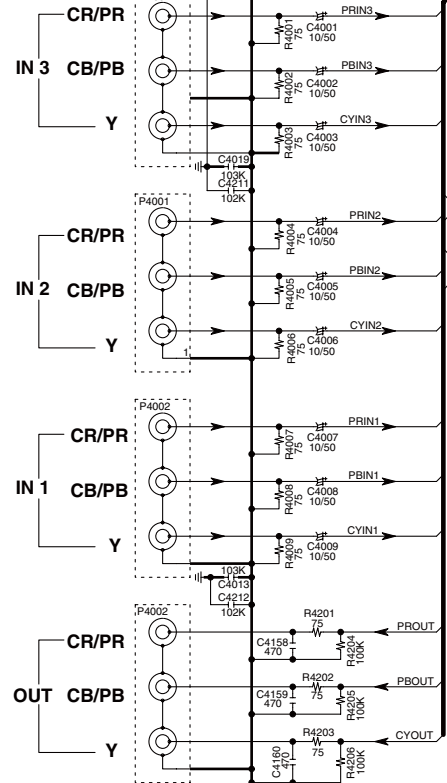
NAVD-9184(1/2)

U13

VIDEO & SPEAKER TERMINAL PC BOARD

1

COMPONENT VIDEO



2

3

4

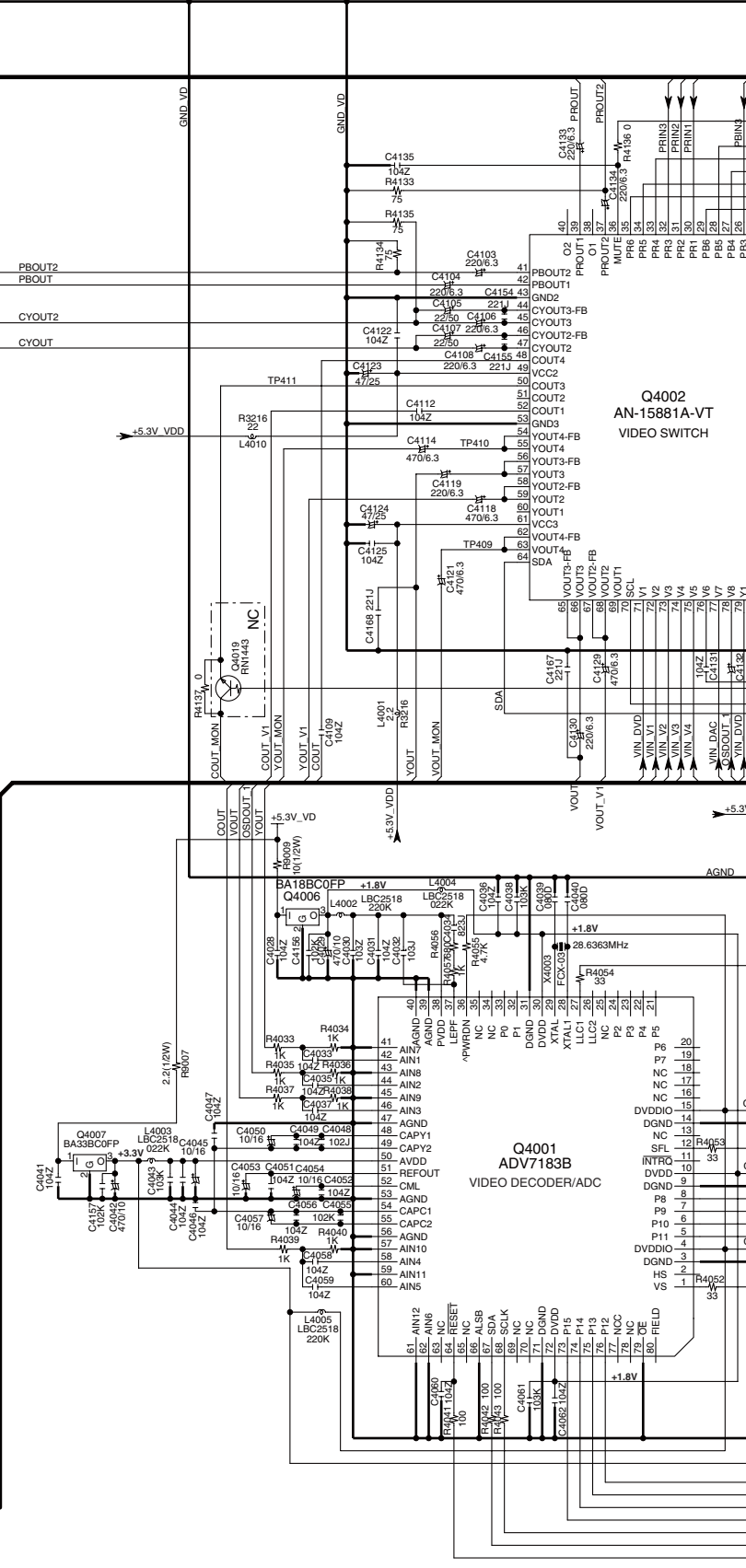
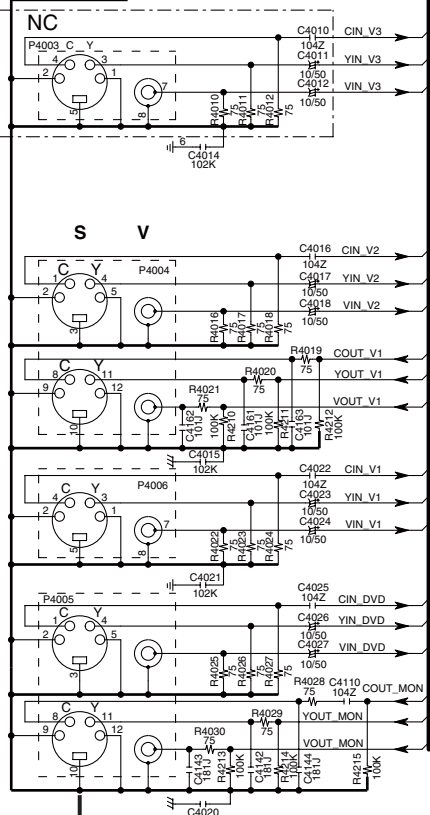
5

CBL/SAT IN

VCR/DVR

DVD IN

MONITOR OUT



Q4002
AN-15861A-VT
VIDEO SWITCH

Q4001
ADV7183B
VIDEO DECODER/ADC

C4000

C4001

C4002

C4003

C4004

C4005

C4006

C4007

C4008

C4009

C4010

C4011

C4012

C4013

C4014

C4015

C4016

C4017

C4018

C4019

C4020

C4021

C4022

C4023

C4024

C4025

C4026

C4027

C4028

C4029

C4030

C4031

C4032

C4033

C4034

C4035

C4036

C4037

C4038

C4039

C4040

C4041

C4042

C4043

C4044

C4045

C4046

C4047

C4048

C4049

C4050

C4051

C4052

C4053

C4054

C4055

C4056

C4057

C4058

C4059

C4060

C4061

C4062

C4063

C4064

C4065

C4066

C4067

C4068

C4069

C4070

C4071

C4072

C4073

C4074

C4075

C4076

C4077

C4078

C4079

C4080

C4081

C4082

C4083

C4084

C4085

C4086

C4087

C4088

C4089

C4090

C4091

C4092

C4093

C4094

C4095

C4096

C4097

C4098

C4099

C4100

C4101

C4102

C4103

C4104

C4105

C4106

C4107

C4108

C4109

C4110

C4111

C4112

C4113

C4114

C4115

C4116

C4117

C4118

C4119

C4120

C4121

C4122

C4123

C4124

C4125

C4126

C4127

C4128

C4129

C4130

C4131

C4132

C4133

C4134

C4135

C4136

C4137

C4138

C4139

C4140

C4141

C4142

C4143

C4144

C4145

C4146

C4147

C4148

C4149

C4150

C4151

C4152

C4153

C4154

C4155

C4156

C4157

C4158

C4159

C4160

C4161

C4162

C4163

C4164

C4165

C4166

C4167

C4168

C4169

C4170

C4171

C4172

C4173

C4174

C4175

C4176

C4177

C4178

C4179

C4180

C4181

C4182

C4183

C4184

C4185

C4186

C4187

C4188

C4189

C4190

C4191

C4192

C4193

C4194

C4195

C4196

C4197

C4198

C4199

C4200

C4201

C4202

C4203

C4204

C4205

C4206

C4207

C4208

C4209

C4210

C4211

C4212

C4213

C4214

C4215

C4216

C4217

C4218

C4219

C4220

C4221

C4222

C4223

C4224

C4225

C4226

C4227

C4228

C4229

C4230

C4231

C4232

C4233

C4234

C4235

C4236

C4237

C4238

C4239

C4240

C4241

C4242

C4243

C4244

C4245

C4246

C4247

C4248

C4249

C4250

C4251

C4252

C4253

C4254

C4255

C4256

C4257

C4258

E

F

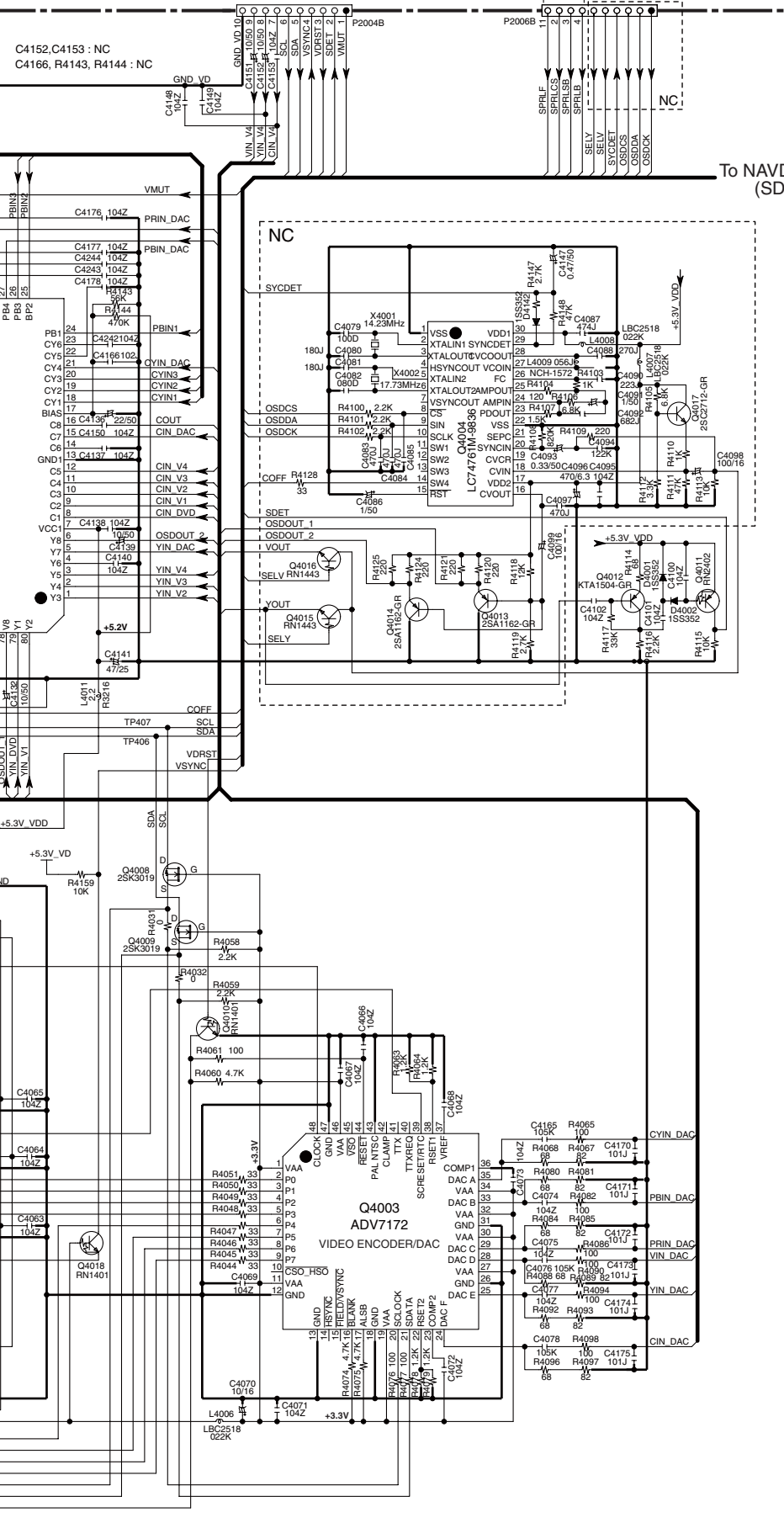
G

H

To NADG-9183
(SD-3 : D1)

To NADG-9183
(SD-3 : E1)

To NAVD-9184(2/2)
(SD-6 : E2)



NOTE

- THE COMPONENTS IDENTIFIED BY MARK \triangle ARE CRITICAL FOR SAFETY REPLACE ONLY WITH PART NUMBER SPECIFIED.
- VOLTAGE (MEASURED WITH VOLTMETER) \triangle IS DC VOLTAGE. (NO INPUT SIGNAL).
- ALL PNP TRANSISTORS ARE EQUIVALENT TO 2SA1015-GR UNLESS OTHERWISE NOTED.
- ALL NPN TRANSISTORS ARE EQUIVALENT TO 2SC1815-GR UNLESS OTHERWISE NOTED.
- ALL DIODES ARE EQUIVALENT TO 1SS133 UNLESS OTHERWISE NOTED.
- ELECTROLYTIC CAPACITORS (---) ARE IN uF/WV.
- ALL CAPACITORS ARE IN pF/50VW UNLESS OTHERWISE NOTED.
EX) 030- 3pF 330- 33pF 331- 330pF 333- 0.033uF
- ALL RESISTORS ARE IN OHMS 1/4WATTS UNLESS OTHERWISE NOTED.
- THE THICK LINES ON PC BOARD ARE THE PRINTING SIDE OF THE PARTS.
EX) \square PRINTING SIDE
- CIRCUIT IS SUBJECT TO CHANGE FOR IMPROVEMENT.

<Note>

NC = No mount of parts.
SD-Z : XY
Location of connected terminal in schematic diagrams.
SD-Z = Schematic diagrams-Z. X = A to H, Y = 1 to 5.

A

B

C

D

E

SCHEMATIC DIAGRAMS-6 SPEAKER TERMINAL SECTION

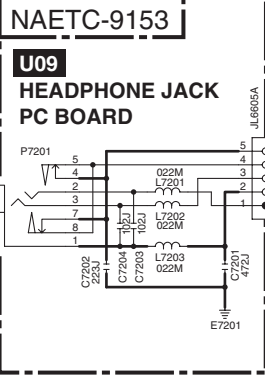
<Note>
 NC = No mount of parts.
 SD-Z : XY
 Location of connected terminal in schematic diagrams.
 SD-Z = Schematic diagrams-Z. X = A to H, Y = 1 to 5.

1

2

3

4

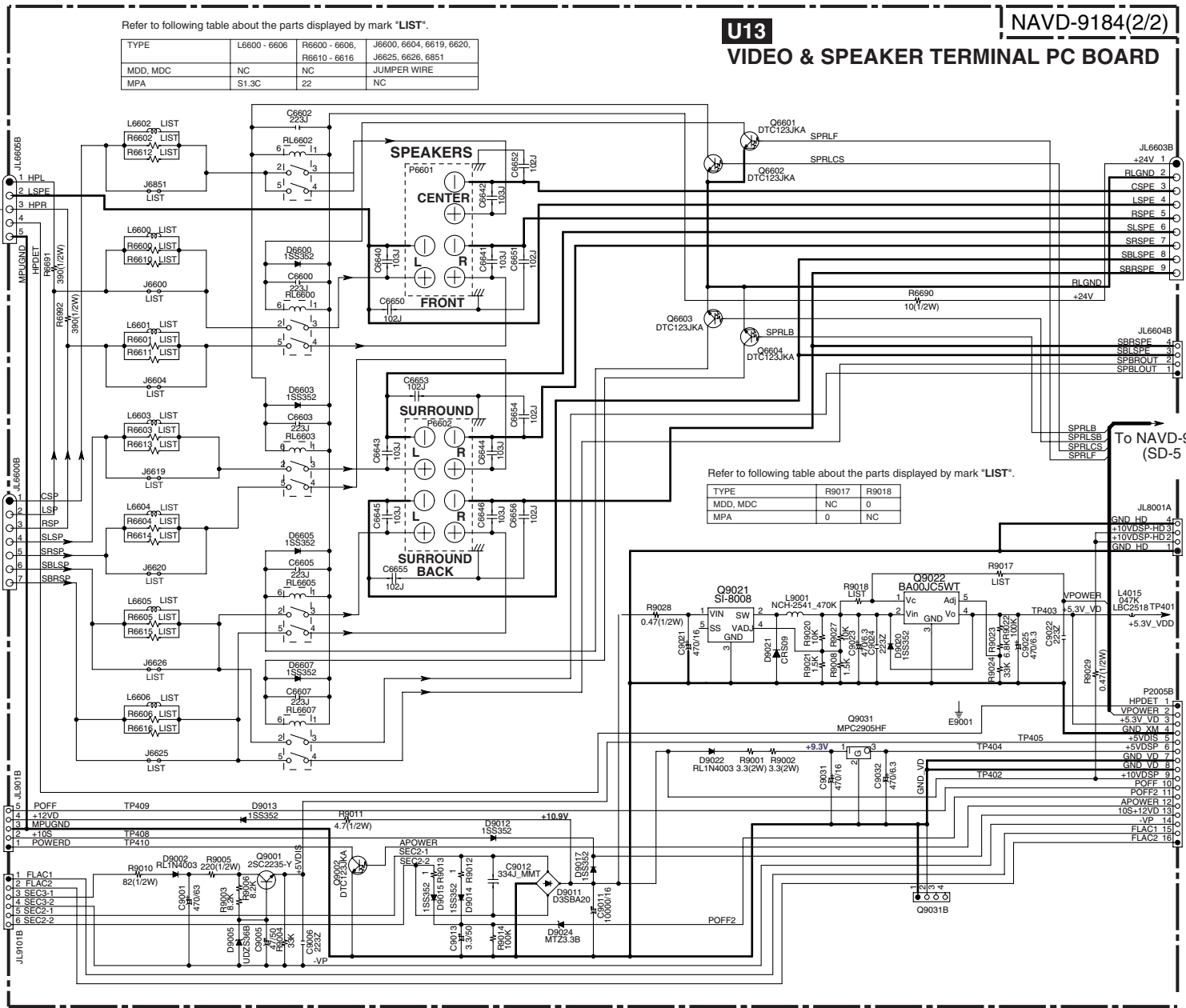


Refer to following table about the parts displayed by mark "LIST".

TYPE	L6600 - 6606	R6600 - 6606, R6610 - 6616	J6600, 6604, 6619, 6620, 6625, 6626, 6851
MDD, MDC	NC	NC	JUMPER WIRE
MPA	S1.3C	22	NC

U13 VIDEO & SPEAKER TERMINAL PC BOARD

NAVD-9184(2/2)



To NAAF-8779(2/2) (SD-2 : E5)

To NAPS-9151 To NAPS-9150 (SD-8 : E2)

To NAAF-8779(1/2) To NAAF-8779(2/2) (SD-2 : D5)

To NAVD-9184(1/2) (SD-5 : G1)

To NAHDM-9199 (SD-7 : E2)

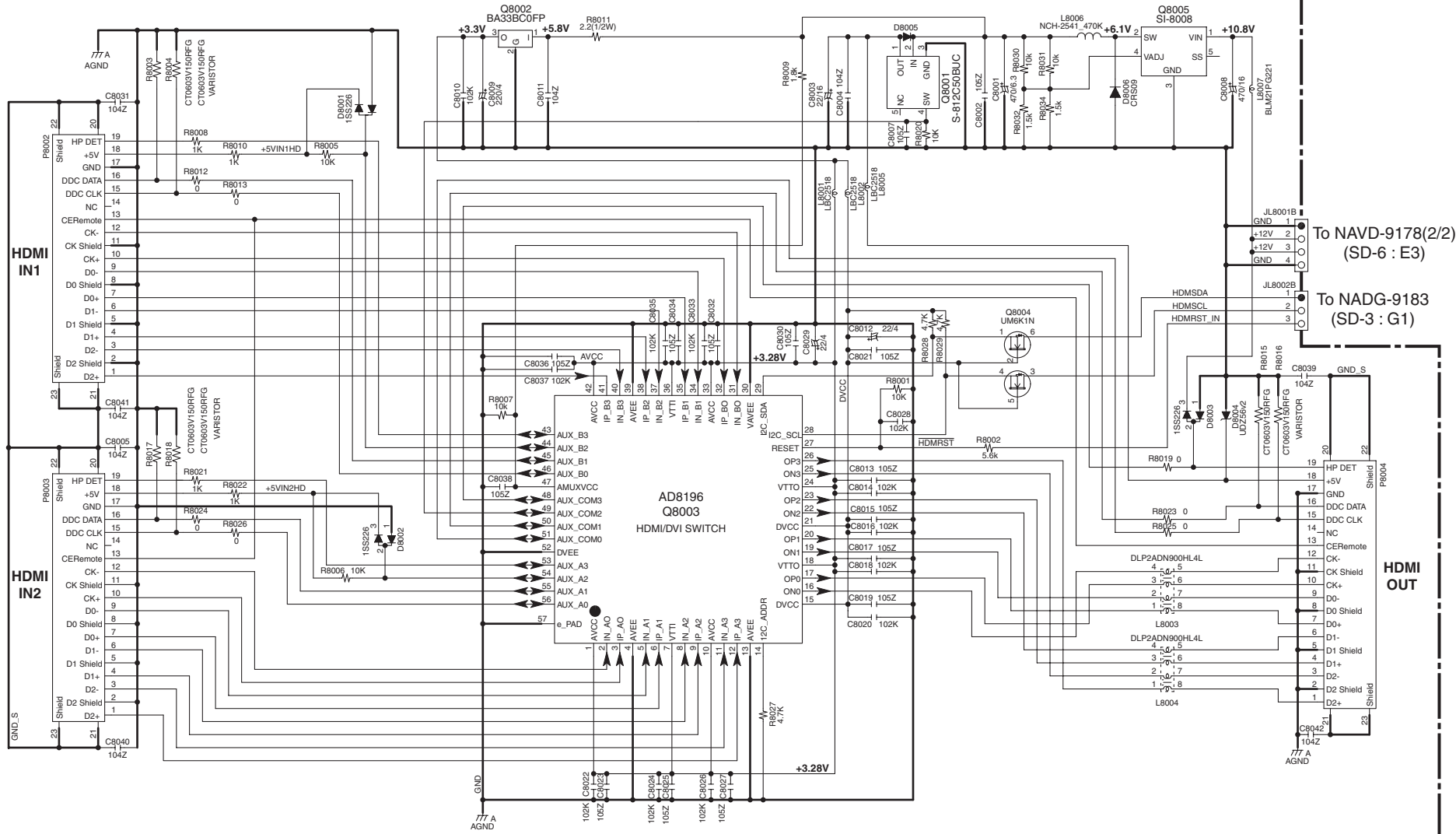
To NADG-9193 (SD-3 : D1)

SCHEMATIC DIAGRAMS-7

HDMI SECTION

<Note>
 NC = No mount of parts.
 SD-Z : XY
 Location of connected terminal in schematic diagrams.
 SD-Z = Schematic diagrams-Z. X = A to H, Y = 1 to 5.

NAHDM-9199 **U15** HDMI PC BOARD



To NAVD-9178(2/2)
(SD-6 : E3)

To NADG-9183
(SD-3 : G1)

HDMI OUT

SCHEMATIC DIAGRAMS-8

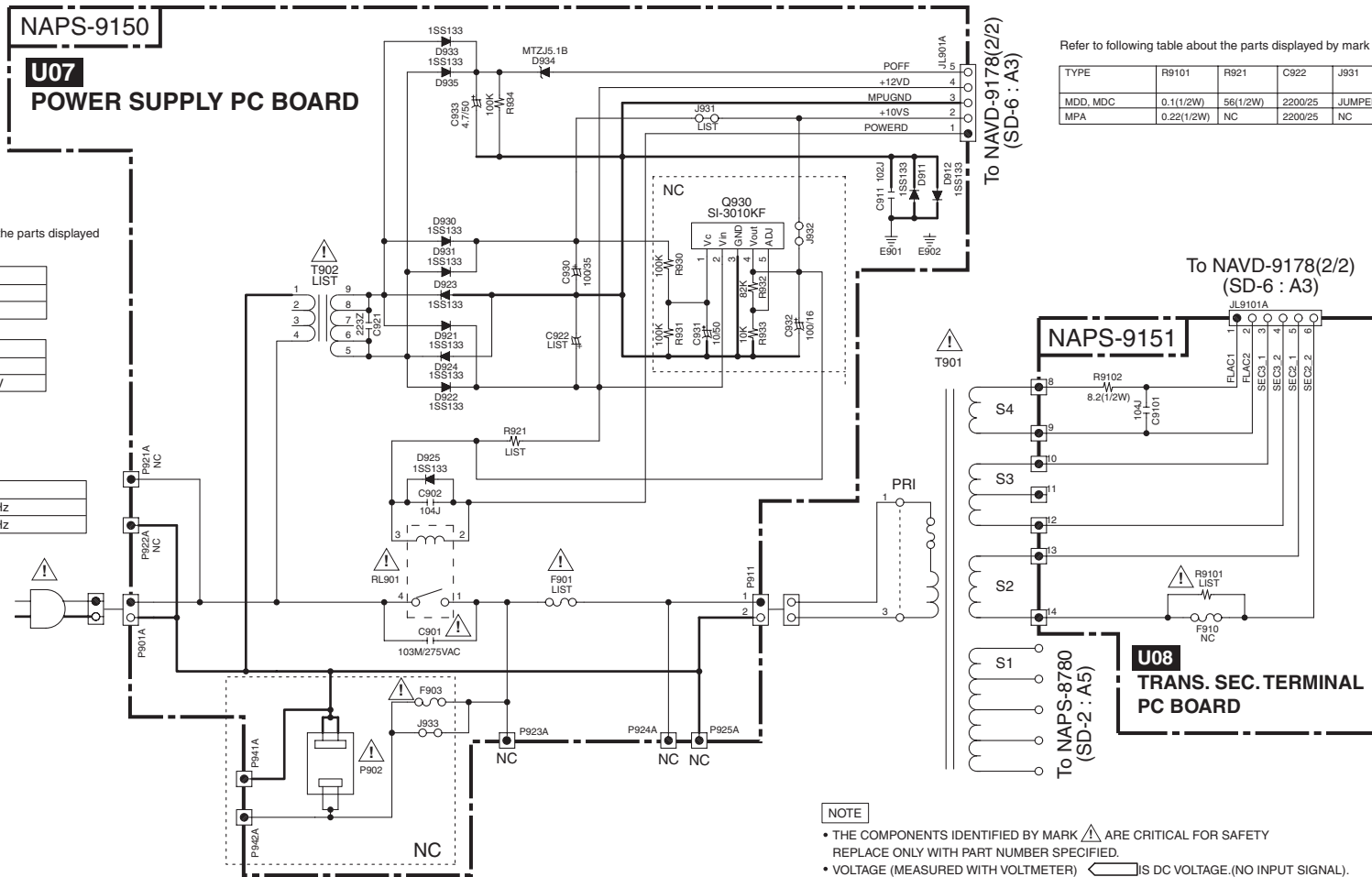
POWER SUPPLY SECTION

1

2

3

4



Refer to following table about the parts displayed by mark "LIST".

TYPE	R9101	R921	C922	J931
MDD, MDC	0.1(1/2W)	56(1/2W)	2200/25	JUMPER WIRE
MPA	0.22(1/2W)	NC	2200/25	NC

Refer to following table about the parts displayed by mark "LIST".

TYPE	T902
MDD, MDC	1520JQ
MPA	1520JQ

TYPE	F901
MDD, MDC	8A 125V
MPA	T4AL250V

TYPE	AC IN
MDD, MDC	120V, 60Hz
MPA	230V, 50Hz



CAUTION
FOR CONTINUED PROTECTION AGAINST FIRE HAZARD, REPLACE ONLY WITH FUSE OF SAME TYPE AND RATING INDICATED.



ATTENTION
AFIN D'ASSURER UNE PROTECTION PERMANENTE CONTRE LES RISQUES D'INCENDIE, REMPLACER UNIQUEMENT PAR UN FUSIBLE DE MEME TYPE ET CALIBRATION COMME INDIQUE.



THIS SYMBOL LOCATED NEAR THE FUSE INDICATES THAT THE FUSE USED IS SLOW OPERATING TYPE FOR CONTINUED PROTECTION AGAINST FIRE HAZARD, REPLACE WITH SAME TYPE FUSE. FOR FUSE RATING REFER TO THE MARKING ADJACENT TO THE SYMBOL.



CE SYMBOLE INDIQUE QUE LE FUSIBLE UTILISE EST E LENT. POUR UNE PROTECTION PERMANENTE, N'UTILISER QUE DES FUSIBLES DE MEME TYPE. CE DERNIER EST INDIQUE LA QU LE PRESENT SYMBOLE EST APPOSE.

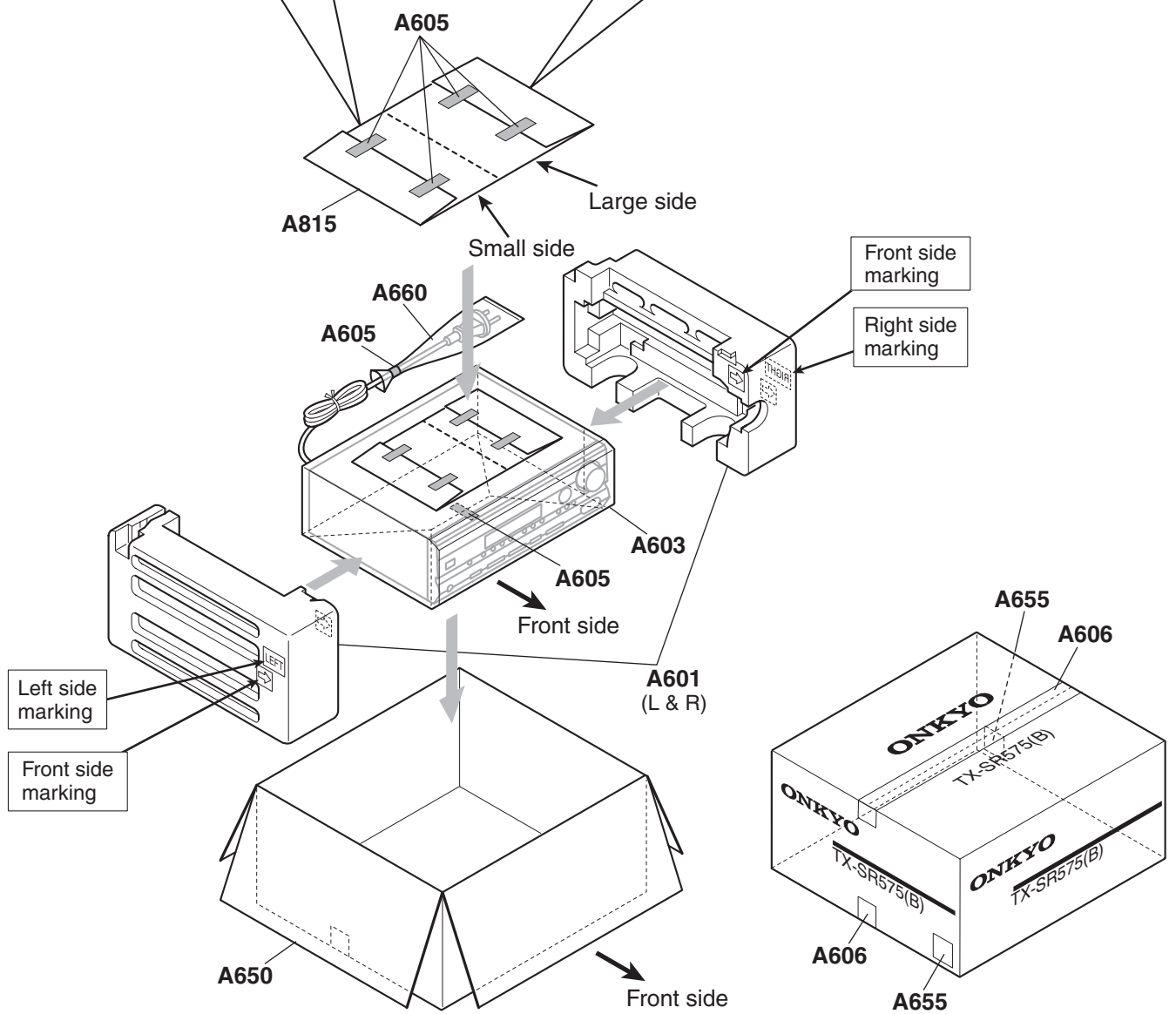
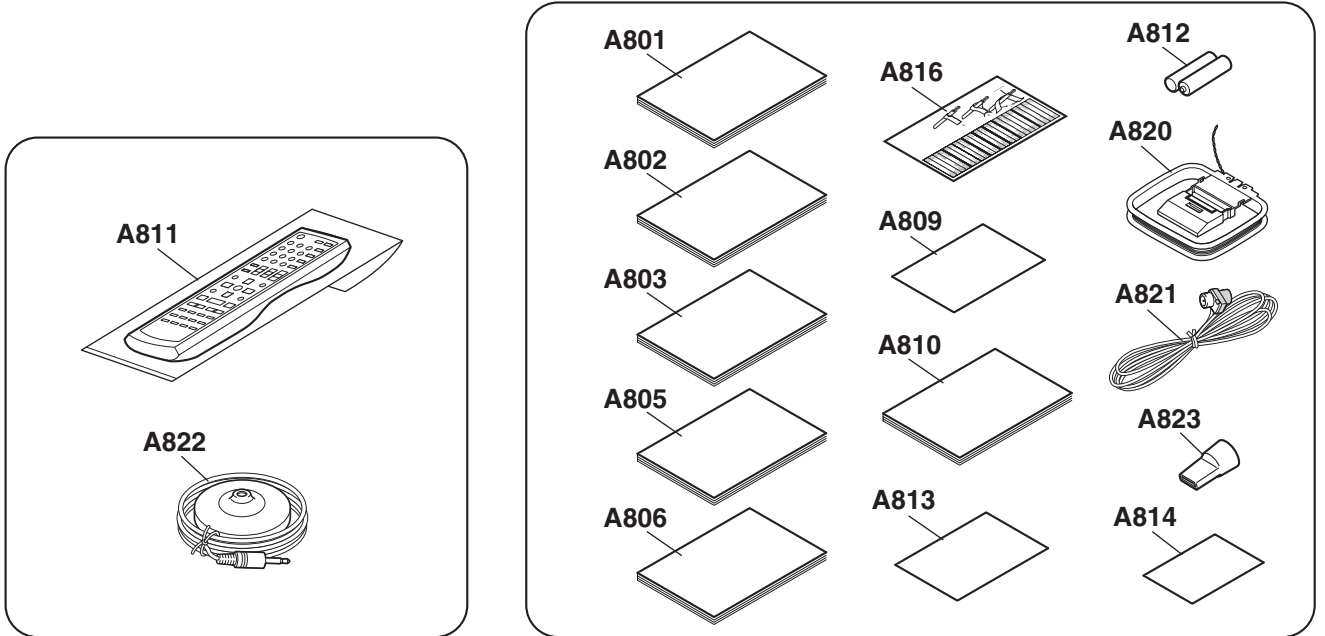
NOTE

- THE COMPONENTS IDENTIFIED BY MARK ARE CRITICAL FOR SAFETY. REPLACE ONLY WITH PART NUMBER SPECIFIED.
- VOLTAGE (MEASURED WITH VOLTMETER) IS DC VOLTAGE. (NO INPUT SIGNAL).
- ALL PNP TRANSISTORS ARE EQUIVALENT TO 2SA1015-GR UNLESS OTHERWISE NOTED.
- ALL NPN TRANSISTORS ARE EQUIVALENT TO 2SC1815-GR UNLESS OTHERWISE NOTED.
- ALL DIODES ARE EQUIVALENT TO 1SS133 UNLESS OTHERWISE NOTED.
- ELECTROLYTIC CAPACITORS () ARE IN uF/WV.
- ALL CAPACITORS ARE IN pF/50V UNLESS OTHERWISE NOTED.
EX) 030 - 3pF 330 - 33pF 331 - 330pF 333 - 0.033uF
- ALL RESISTORS ARE IN OHMS 1/4WATTS UNLESS OTHERWISE NOTED.
- THE THICK LINES ON PC BOARD ARE THE PRINTING SIDE OF THE PARTS.
EX) PRINTING SIDE
- CIRCUIT IS SUBJECT TO CHANGE FOR IMPROVEMENT.

<Note>

NC = No mount of parts.
SD-Z : XY
Location of connected terminal in schematic diagrams.
SD-Z = Schematic diagrams-Z. X = A to H, Y = 1 to 5.

PACKING PROCEDURE



TX-SR575**<Note>**

Parts marked by **'NSP'** are generally unavailable because they are not in our Master Spare Parts List.

**NOTE : THE COMPONENTS IDENTIFIED BY THE MARK
! ARE CRITICAL FOR RISK OF FIRE AND
ELECTRIC SHOCK. REPLACE ONLY WITH PART
NUMBER SPECIFIED.**

<Notes>

(B) : Black model

(S) : Silver model

<MDD> : USA model

<MDC> : Canadian model

<MPA> : Australian model

EXPLODED VIEW PARTS LIST

	REF. NO.	PART NAME	DESCRIPTION	Q'TY	PART NO. (SN)	REMARKS
EV	A001	F BRACKET	BLACK	1	27111470B	(B)
EV	A001	F BRACKET	SILVER	1	27111471B	(S)
EV	A002	SCREW	3TTB+8B(3CM)SR	5	801637	
EV	A003	B PLATE	---	1	28133425	(B)
EV	A003	B PLATE	---	1	28133426	(S)
EV	A011	SCREW	3TTB+8B(3CM)SR	6	801637	
EV	A012	SCREW	3TTB+8B(3CM)SR	2	801637	
EV	A013	WIRE TIE	BSK-1	7	260208	
EV	A016	SCREW	3TTB+8B(3CM)SR	1	801637	
EV	A017	WIRE TIE	BINDER(CLAMPER)UL	2	260258	
EV	A018	HOLDER	KGLS-22S	1	27190369	
EV	A020	HOLDER	KGLS-16RT	2	27190511	
EV	A021	HOLDER	KGPS-16RF	4	27190991	
EV	A022	HOLDER	KGLS-10RT	1	27190428A	
EV	A027	HOLDER	HOLDER KGLS-18S	1	27190470	
EV	A028	CLIP	CS-1U	1	27255004	
EV	A029	SCREW	3TTB+8B(3CM)SR	1	801637	
EV	A030	SCREW	4TTC+8C(3BC)	4	830440089GR	
EV	A031	SPACER	---	1	27270439	
EV	A033	LABEL	(PT)	1	29363379-1	
EV	A037	BUSHING	S-RELIEF #2271	1	27300750	!
EV	A039	TAPE	TAPE(CLOTH-16U)	(1)	29110083	
EV	A040	HEAT SINK	(AS)	1	27160602A	
EV	A041	BRACKET	(HT-L)	1	27131016A	
EV	A042	BRACKET	(HT-R)	1	27131017A	
EV	A043	SCREW	3TTB+8B(3CM)SR	4	801637	
EV	A044	SCREW	3TTB+8B(3CM)SR	4	801637	
EV	A045	SPACER	T0.5 x 8 x 3.5	2	27270463	
EV	A046	SCREW	3TTB+8B(3CM)SR	1	801637	
EV	A048	SCREW	3TTB+8B(3CM)SR	1	801637	
EV	A049	SCREW	3SMS8W.SW+14B(CU)	14	801634	
EV	A050	IB CUSHION	W15 x 3t TAPE	1	28141585	

EV	A055	KNOB	(VOL) BLACK	1	28326514	(B)
EV	A055	KNOB	(VOL) SILVER	1	28326515	(S)
EV	A056	KNOB	(SETUP) BLACK	1	28326517B	(B)
EV	A056	KNOB	(SETUP) SILVER	1	28326518B	(S)
EV	A057	SPRING	---	1	27180596	
EV	A060	COVER	(B)	1	28184961	(B)
EV	A060	COVER	(S)	1	28184962	(S)
EV	A061	SCREW	3TTB+8B(3BC)	6	838430088GR	(B)
EV	A061	SCREW	3TTB+8B(3CM)SR	6	801637	(S)
EV	A062	CUSHION	---	1	28141681	
EV	A065	BOTTOM LEG	---	4	27175432B	
EV	A066	CUSHION	---	4	28141664	
EV	A068	SCREW	3TTB+8B(3CM)SR	4	801637	
EV	A069	CUSHION	---	1	28141687	
EV	A071	CUSHION	----	1	28141688	
EV	A072	CHASSIS	TXSR505/605	1	---	NSP
EV	A073	F PANEL	TXSR575BMDD/MDC	1	27212979	(B) <MDD>
EV	A073	F PANEL	TXSR575BMDD/MDC	1	27212979	(B) <MDC>
EV	A073	F PANEL	TXSR575BMMPA	1	27212980	(B) <MPA>
EV	A073	F PANEL	TXSR575SMDC	1	27212981	(S) <MDC>
EV	A073	F PANEL	TXSR575SMPA	1	27212982	(S) <MPA>
EV	A075	SPACER	SPACER 8 x 3 x 0.188	2	27270147	
EV	A077	BADGE	---	1	28135244	(B)
EV	A077	BADGE	---	1	28135298	(S)
EV	A083	CLEAR PLT	---	1	28192161	(B) <MDD>
EV	A083	CLEAR PLT	---	1	28192161	(B) <MDC>
EV	A083	CLEAR PLT	---	1	28192158	(B) <MPA>
EV	A083	CLEAR PLT	---	1	28192165	(S) <MDC>
EV	A083	CLEAR PLT	---	1	28192162	(S) <MPA>
EV	A089	SCREW	3TTB+8B(3BC)	3	838430088GR	
EV	A093	REAR PANEL	TXSR575MDD/MDC	1	27123681A	<MDD>
EV	A093	REAR PANEL	TXSR575MDD/MDC	1	27123681A	<MDC>
EV	A093	REAR PANEL	TXSR575MPA	1	27123682	<MPA>
EV	A097	SCREW	3TTB+8B(3BC)	37	838430088GR	<MDD>
EV	A097	SCREW	3TTB+8B(3BC)	37	838430088GR	<MDC>
EV	A097	SCREW	3TTB+8B(3BC)	35	838430088GR	<MPA>
EV	A098	SCREW	3P+6FN(3BC)	1	82143006GR	
EV	A102	LABEL	(COVER)	1	29364123	
EV	A109	LABEL	HOOKUP-ONKYO	1	29363194	<MDD>
EV	A109	LABEL	HOOKUP-ONKYO	1	29363194	<MDC>
EV	F6901	FUSE	10A-UL/T-233	1	252330GR	!
EV	F6901 or	FUSE	10A-T/UL-ST2	(1)	252333GR	!
EV	F6902	FUSE	10A-UL/T-233	1	252330GR	!
EV	F6902 or	FUSE	10A-T/UL-ST2	(1)	252333GR	!
EV	F901	FUSE	8A-UL/T-233	1	252329GR	!, <MDC>
EV	F901 or	FUSE	8A-T/UL-ST2	(1)	252261GR	!, <MDC>
EV	F901	FUSE	8A-UL/T-233	1	252329GR	!, <MDD>
EV	F901 or	FUSE	8A-T/UL-ST2	(1)	252261GR	!, <MDD>
EV	F901	FUSE	4A-SE-EAK FUSE	1	252077GR	!, <MPA>
EV	F901 or	FUSE	4A-SE-TL250V	(1)	252277GR	!, <MPA>
EV	F901C	LABEL	T4AL250V	1	29361732A	!, <MPA>

EV	P101	FFC	NCFC7-131012	1	2047131012	
EV	P6601A	P RIVET	JB-407A-C	14	880052	<MPA>
EV	P701	FFC	NCFC3-32026	1	204332026	
EV	P901	AC CORD	AS-UC-2	1	253333VOL	!, <MDC>
EV	P901 or	AC CORD	AS-UC-2	(1)	253368LTK	!, <MDC>
EV	P901 or	AC CORD	AS-UC-2	(1)	253368YUN	!, <MDC>
EV	P901 or	AC CORD	AS-UC-2	(1)	253368HSN	!, <MDC>
EV	P901	AC CORD	AS-UC-2	1	253333VOL	!, <MDD>
EV	P901 or	AC CORD	AS-UC-2	(1)	253368LTK	!, <MDD>
EV	P901 or	AC CORD	AS-UC-2	(1)	253368YUN	!, <MDD>
EV	P901 or	AC CORD	AS-UC-2	(1)	253368HSN	!, <MDD>
EV	P901	AC CORD	AS-SAA	1	253388LTK	!, <MPA>
EV	P901 or	AC CORD	AS-SAA	(1)	253388LON	!, <MPA>
EV	Q6050	TR	MN130S-P	1	2203666	!
EV	Q6050 or	TR	MN130S-O	(1)	2203663	!
EV	Q6050 or	TR	MN130S-Y	(1)	2203664	!
EV	Q6050A	ISO SHEET	AC238	2	223024	
EV	Q6050B	ISO SHEET	ISO SHEET	6	223041	
EV	Q6051	TR	MN130S-P	1	2203666	!
EV	Q6051 or	TR	MN130S-O	(1)	2203663	!
EV	Q6051 or	TR	MN130S-Y	(1)	2203664	!
EV	Q6052	TR	MN130S-P	1	2203666	!
EV	Q6052 or	TR	MN130S-O	(1)	2203663	!
EV	Q6052 or	TR	MN130S-Y	(1)	2203664	!
EV	Q6053	TR	MN130S-P	1	2203666	!
EV	Q6053 or	TR	KTC5242A-O	(1)	2203953	!
EV	Q6053 or	TR	KTC5242A-R	(1)	2203952	!
EV	Q6053 or	TR	MN130S-O	(1)	2203663	!
EV	Q6053 or	TR	MN130S-Y	(1)	2203664	!
EV	Q6054	TR	MN130S-P	1	2203666	!
EV	Q6054 or	TR	KTC5242A-O	(1)	2203953	!
EV	Q6054 or	TR	KTC5242A-R	(1)	2203952	!
EV	Q6054 or	TR	MN130S-O	(1)	2203663	!
EV	Q6054 or	TR	MN130S-Y	(1)	2203664	!
EV	Q6055	TR	MN130S-P	1	2203666	!
EV	Q6055 or	TR	KTC5242A-O	(1)	2203953	!
EV	Q6055 or	TR	KTC5242A-R	(1)	2203952	!
EV	Q6055 or	TR	MN130S-O	(1)	2203663	!
EV	Q6055 or	TR	MN130S-Y	(1)	2203664	!
EV	Q6056	TR	MN130S-P	1	2203666	!
EV	Q6056 or	TR	KTC5242A-O	(1)	2203953	!
EV	Q6056 or	TR	KTC5242A-R	(1)	2203952	!
EV	Q6056 or	TR	MN130S-O	(1)	2203663	!
EV	Q6056 or	TR	MN130S-Y	(1)	2203664	!
EV	Q6060	TR	MP130S-P	1	2203676	!
EV	Q6060 or	TR	MP130S-O	(1)	2203673	!
EV	Q6060 or	TR	MP130S-Y	(1)	2203674	!
EV	Q6061	TR	MP130S-P	1	2203676	!
EV	Q6061 or	TR	MP130S-O	(1)	2203673	!
EV	Q6061 or	TR	MP130S-Y	(1)	2203674	!

EV	Q6062	TR	MP130S-P	1	2203676	!
EV	Q6062 or	TR	MP130S-O	(1)	2203673	!
EV	Q6062 or	TR	MP130S-Y	(1)	2203674	!
EV	Q6063	TR	MP130S-P	1	2203676	!
EV	Q6063 or	TR	KTA1962A-O	(1)	2203943	!
EV	Q6063 or	TR	KTA1962A-R	(1)	2203942	!
EV	Q6063 or	TR	MP130S-O	(1)	2203673	!
EV	Q6063 or	TR	MP130S-Y	(1)	2203674	!
EV	Q6064	TR	MP130S-P	1	2203676	!
EV	Q6064 or	TR	KTA1962A-O	(1)	2203943	!
EV	Q6064 or	TR	KTA1962A-R	(1)	2203942	!
EV	Q6064 or	TR	MP130S-O	(1)	2203673	!
EV	Q6064 or	TR	MP130S-Y	(1)	2203674	!
EV	Q6065	TR	MP130S-P	1	2203676	!
EV	Q6065 or	TR	KTA1962A-O	(1)	2203943	!
EV	Q6065 or	TR	KTA1962A-R	(1)	2203942	!
EV	Q6065 or	TR	MP130S-O	(1)	2203673	!
EV	Q6065 or	TR	MP130S-Y	(1)	2203674	!
EV	Q6066	TR	MP130S-P	1	2203676	!
EV	Q6066 or	TR	KTA1962A-O	(1)	2203943	!
EV	Q6066 or	TR	KTA1962A-R	(1)	2203942	!
EV	Q6066 or	TR	MP130S-O	(1)	2203673	!
EV	Q6066 or	TR	MP130S-Y	(1)	2203674	!
EV	<Note>					
EV	Must use the same HFE rank mutually about the following parts.					
EV	Ref. No. : Q6050 - 6060, Q6051 - 6061, Q6052 - 6062, Q6053 - 6063, Q6054 - 6064, Q6055 - 6055, Q6056 - 6066					
EV	T901	P TRANS	NPT-1516D	1	2301798	!, <MDD>
EV	T901	P TRANS	NPT-1516D	1	2301798	!, <MDC>
EV	T901	P TRANS	NPT-1516P	1	2301799	!, <MPA>
EV	U01	AMPLIFIER PC board ass'y	NAAF-8779-2D	1	1B176579-2D	<MDD>
EV	U01	AMPLIFIER PC board ass'y	NAAF-8779-2D	1	1B176579-2D	<MDC>
EV	U01	AMPLIFIER PC board ass'y	NAAF-8779-2Q	1	1B176579-2Q	<MPA>
EV	U02	TRANS. SEC. PC board ass'y	NAPS-8780-2D	1	1B176580-2D	<MDD>
EV	U02	TRANS. SEC. PC board ass'y	NAPS-8780-2D	1	1B176580-2D	<MDC>
EV	U02	TRANS. SEC. PC board ass'y	NAPS-8780-2Q	1	1B176580-2Q	<MPA>
EV	U03	THERMAL SENSOR PC board ass'y	NAETC-8781-2D	1	---	<MDD>, NSP
EV	U03	THERMAL SENSOR PC board ass'y	NAETC-8781-2D	1	---	<MDC>, NSP
EV	U03	THERMAL SENSOR PC board ass'y	NAETC-8781-2Q	1	---	<MPA>, NSP
EV	U04	HOLDER PC board	NAETC-8782-2D	1	---	<MDD>, NSP
EV	U04	HOLDER PC board	NAETC-8782-2D	1	---	<MDC>, NSP
EV	U04	HOLDER PC board	NAETC-8782-2Q	1	---	<MPA>, NSP
EV	U05	DISPLAY PC board ass'y	NADIS-9148-1A	1	1B176548-1A	<MDD>
EV	U05	DISPLAY PC board ass'y	NADIS-9148-1A	1	1B176548-1A	<MDC>
EV	U05	DISPLAY PC board ass'y	NADIS-9148-1G	1	1B176548-1G	<MPA>
EV	U06	SWITCH PC board ass'y	NADIS-9149-1A	1	1B176549-1A	<MDD>
EV	U06	SWITCH PC board ass'y	NADIS-9149-1A	1	1B176549-1A	<MDC>
EV	U06	SWITCH PC board ass'y	NADIS-9149-1G	1	1B176549-1G	<MPA>
EV	U07	POWER SUPPLY PC board ass'y	NAPS-9150-1A	1	1B176550-1A	<MDD>
EV	U07	POWER SUPPLY PC board ass'y	NAPS-9150-1A	1	1B176550-1A	<MDC>
EV	U07	POWER SUPPLY PC board ass'y	NAPS-9150-1G	1	1B176550-1G	<MPA>
EV	U08	TRANS. SEC. TERMINAL PC board ass'y	NAPS-9151-1A	1	1B176551-1A	<MDD>

EV	U08	TRANS. SEC. TERMINAL PC board ass'y	NAPS-9151-1A	1	1B176551-1A	<MDC>
EV	U08	TRANS. SEC. TERMINAL PC board ass'y	NAPS-9151-1G	1	1B176551-1G	<MPA>
EV	U09	HEADPHONE JACK PC board ass'y	NAETC-9153-1A	1	---	<MDD>, NSP
EV	U09	HEADPHONE JACK PC board ass'y	NAETC-9153-1A	1	---	<MDC>, NSP
EV	U09	HEADPHONE JACK PC board ass'y	NAETC-9153-1G	1	---	<MPA>, NSP
EV	U10	HOLDER PC board	NAETC-9159-1A	1	---	<MDD>, NSP
EV	U10	HOLDER PC board	NAETC-9159-1A	1	---	<MDC>, NSP
EV	U10	HOLDER PC board	NAETC-9159-1G	1	---	<MPA>, NSP
EV	U11	DSP PC board ass'y	NADG-9183-1A	1	1B176583-1A	<MDD>, NSP
EV	U11	DSP PC board ass'y	NADG-9183-1A	1	1B176583-1A	<MDC>, NSP
EV	U11	DSP PC board ass'y	NADG-9183-1B	1	1B176583-1B	<MPA>, NSP
EV	U12	VIDEO & SPEAKER TERMINAL PC board ass'y	NAVD-9184-1A	1	1B176584-1A	<MDD>
EV	U12	VIDEO & SPEAKER TERMINAL PC board ass'y	NAVD-9184-1A	1	1B176584-1A	<MDC>
EV	U12	VIDEO & SPEAKER TERMINAL PC board ass'y	NAVD-9184-1B	1	1B176584-1B	<MPA>
EV	U13	XM DIGITAL TRANSCEIVER PC board ass'y	NADG-9185-1A	1	1B176585-1A	<MDD>
EV	U13	XM DIGITAL TRANSCEIVER PC board ass'y	NADG-9185-1A	1	1B176585-1A	<MDC>
EV	U14	HDMI PC board ass'y	NAHDM-9199-1B	1	1B176599-1B	
EV	U15	TUNER UNIT	ENG06507QFUS	1	240156	<MDC>
EV	U15 or	TUNER UNIT	FAE385-A11US	(1)	240152	<MDC>
EV	U15	TUNER UNIT	ENG06507QFUS	1	240156	<MDD>
EV	U15 or	TUNER UNIT	FAE385-A11US	(1)	240152	<MDD>
EV	U15	TUNER UNIT	ENG07506QFEX	1	240159	<MPA>
EV	U15 or	TUNER UNIT	FAE485-E12EX	(1)	240155	<MPA>

TX-SR575

PC BOARD PARTS LIST

PCB1	U01	AMPLIFIER PC BOARD (NAAF-8779-2D / 2Q)
PCB1	U02	TRANS. SEC. TERMINAL PC BOARD (NAPS-8780-2D / 2Q)
PCB1	U03	THERMAL SENSOR PC BOARD (NAETC-8781-2D / 2Q)

PCB1	CIRCUIT NO.	PART NAME	DESCRIPTION	Q'TY	PART NO. (SN)	REMARKS
PCB1	Q5000	TR	2SC2240-BL(TPE2_F)	1	2211406T	
PCB1	Q5001	TR	2SC2240-BL(TPE2_F)	1	2211406T	
PCB1	Q5002	TR	2SC2240-BL(TPE2_F)	1	2211406T	
PCB1	Q5003	TR	2SC2240-BL(TPE2_F)	1	2211406T	
PCB1	Q5004	TR	2SC2240-BL(TPE2_F)	1	2211406T	
PCB1	Q5005	TR	2SC2240-BL(TPE2_F)	1	2211406T	
PCB1	Q5006	TR	2SC2240-BL(TPE2_F)	1	2211406T	
PCB1	Q5010	TR	2SC2240-BL(TPE2_F)	1	2211406T	
PCB1	Q5011	TR	2SC2240-BL(TPE2_F)	1	2211406T	
PCB1	Q5012	TR	2SC2240-BL(TPE2_F)	1	2211406T	
PCB1	Q5013	TR	2SC2240-BL(TPE2_F)	1	2211406T	
PCB1	Q5014	TR	2SC2240-BL(TPE2_F)	1	2211406T	
PCB1	Q5015	TR	2SC2240-BL(TPE2_F)	1	2211406T	
PCB1	Q5016	TR	2SC2240-BL(TPE2_F)	1	2211406T	
PCB1	Q5030	TR	2SA949-Y(TPE6_F)	1	2211354T	
PCB1	Q5031	TR	2SA949-Y(TPE6_F)	1	2211354T	
PCB1	Q5032	TR	2SA949-Y(TPE6_F)	1	2211354T	
PCB1	Q5033	TR	2SA949-Y(TPE6_F)	1	2211354T	
PCB1	Q5034	TR	2SA949-Y(TPE6_F)	1	2211354T	

PCB1	Q5035	TR	2SA949-Y(TPE6_F)	1	2211354T
PCB1	Q5036	TR	2SA949-Y(TPE6_F)	1	2211354T
PCB1	Q5040	TR	2SC2229-Y(TPE6_F)	1	2211634T
PCB1	Q5041	TR	2SC2229-Y(TPE6_F)	1	2211634T
PCB1	Q5042	TR	2SC2229-Y(TPE6_F)	1	2211634T
PCB1	Q5043	TR	2SC2229-Y(TPE6_F)	1	2211634T
PCB1	Q5044	TR	2SC2229-Y(TPE6_F)	1	2211634T
PCB1	Q5045	TR	2SC2229-Y(TPE6_F)	1	2211634T
PCB1	Q5046	TR	2SC2229-Y(TPE6_F)	1	2211634T
PCB1	Q5050	TR	2SC1815-BL(TPE2_F)	1	2211256T
PCB1	Q5050 or	TR	2SC1815-GR	(1)	2211255T
PCB1	Q5051	TR	2SC1815-BL(TPE2_F)	1	2211256T
PCB1	Q5051 or	TR	2SC1815-GR	(1)	2211255T
PCB1	Q5052	TR	2SC1815-BL(TPE2_F)	1	2211256T
PCB1	Q5052 or	TR	2SC1815-GR	(1)	2211255T
PCB1	Q5053	TR	2SC1815-BL(TPE2_F)	1	2211256T
PCB1	Q5053 or	TR	2SC1815-GR	(1)	2211255T
PCB1	Q5054	TR	2SC1815-BL(TPE2_F)	1	2211256T
PCB1	Q5054 or	TR	2SC1815-GR	(1)	2211255T
PCB1	Q5055	TR	2SC1815-BL(TPE2_F)	1	2211256T
PCB1	Q5055 or	TR	2SC1815-GR	(1)	2211255T
PCB1	Q5056	TR	2SC1815-BL(TPE2_F)	1	2211256T
PCB1	Q5056 or	TR	2SC1815-GR	(1)	2211255T
PCB1	Q5501	IC	R2S15211FP	1	22242297R3
PCB1	Q5503	IC	NJM4580M-D	1	22241448R2
PCB1	Q5600	TR	RN1441	1	2215410R2
PCB1	Q5601	TR	RN1441	1	2215410R2
PCB1	Q5602	TR	RN1441	1	2215410R2
PCB1	Q5603	TR	RN1441	1	2215410R2
PCB1	Q5604	TR	RN1441	1	2215410R2
PCB1	Q5605	TR	RN1441	1	2215410R2
PCB1	Q5606	TR	RN1441	1	2215410R2
PCB1	Q5607	TR	RN1441	1	2215410R2
PCB1	Q5610	TR	RN1441	1	2215410R2
PCB1	Q5630	IC	NJM4580M-D	1	22241448R2
PCB1	Q5670	IC	78M12HF(NJM78M12FA)	1	222780125JRC
PCB1	Q5670 or	IC	MPC78M12AHF-AZ	(1)	222780125NEC
PCB1	Q5670 or	IC	78M12(AN78M12F)	(1)	222780125MAT
PCB1	Q5670A	HEAT-SINK	HEAT-SINK(RAD-68)	1	27160211
PCB1	Q5670B	SCREW	3P+10FN(3BC)	1	82143010GR
PCB1	Q5671	IC	79M12HF(NJM79M12FA)	1	222790125JRC
PCB1	Q5671 or	IC	79M12HF(MPC79M12HF)	(1)	222790125NEC
PCB1	Q5671 or	IC	79M12F(AN79M12F)	(1)	222790125MAT
PCB1	Q5671A	HEAT-SINK	HEAT-SINK(RAD-68)	1	27160211
PCB1	Q5671B	SCREW	3P+10FN(3BC)	1	82143010GR
PCB1	Q6000	TR	2SC1740S-S	1	2213285T
PCB1	Q6001	TR	2SC1740S-S	1	2213285T
PCB1	Q6002	TR	2SC1740S-S	1	2213285T
PCB1	Q6003	TR	2SC1740S-S	1	2213285T
PCB1	Q6004	TR	2SC1740S-S	1	2213285T
PCB1	Q6005	TR	2SC1740S-S	1	2213285T

PCB1	Q6006	TR	2SC1740S-S	1	2213285T
PCB1	Q6010	TR	2SC1740S-S	1	2213285T
PCB1	Q6011	TR	2SC1740S-S	1	2213285T
PCB1	Q6012	TR	2SC1740S-S	1	2213285T
PCB1	Q6013	TR	2SC1740S-S	1	2213285T
PCB1	Q6014	TR	2SC1740S-S	1	2213285T
PCB1	Q6015	TR	2SC1740S-S	1	2213285T
PCB1	Q6016	TR	2SC1740S-S	1	2213285T
PCB1	Q6030	TR	2SC5171(ONK_Q)	1	2203010
PCB1	Q6030 or	TR	2SC5993-Q_P	(1)	2217161
PCB1	Q6031	TR	2SC5171(ONK_Q)	1	2203010
PCB1	Q6031 or	TR	2SC5993-Q_P	(1)	2217161
PCB1	Q6032	TR	2SC5171(ONK_Q)	1	2203010
PCB1	Q6032 or	TR	2SC5993-Q_P	(1)	2217161
PCB1	Q6033	TR	2SC5171(ONK_Q)	1	2203010
PCB1	Q6033 or	TR	KTD2061-Y	(1)	2203434
PCB1	Q6034	TR	2SC5171(ONK_Q)	1	2203010
PCB1	Q6034 or	TR	KTD2061-Y	(1)	2203434
PCB1	Q6035	TR	2SC5171(ONK_Q)	1	2203010
PCB1	Q6035 or	TR	KTD2061-Y	(1)	2203434
PCB1	Q6036	TR	2SC5171(ONK_Q)	1	2203010
PCB1	Q6036 or	TR	KTD2061-Y	(1)	2203434
PCB1	Q6040	TR	2SA1930(ONK_Q)	1	2203000
PCB1	Q6040 or	TR	2SA2140-Q_P	(1)	2217151
PCB1	Q6041	TR	2SA1930(ONK_Q)	1	2203000
PCB1	Q6041 or	TR	2SA2140-Q_P	(1)	2217151
PCB1	Q6042	TR	2SA1930(ONK_Q)	1	2203000
PCB1	Q6042 or	TR	2SA2140-Q_P	(1)	2217151
PCB1	Q6043	TR	2SA1930(ONK_Q)	1	2203000
PCB1	Q6043 or	TR	KTB1369-Y	(1)	2203424
PCB1	Q6044	TR	2SA1930(ONK_Q)	1	2203000
PCB1	Q6044 or	TR	KTB1369-Y	(1)	2203424
PCB1	Q6045	TR	2SA1930(ONK_Q)	1	2203000
PCB1	Q6045 or	TR	KTB1369-Y	(1)	2203424
PCB1	Q6046	TR	2SA1930(ONK_Q)	1	2203000
PCB1	Q6046 or	TR	KTB1369-Y	(1)	2203424
PCB1	Q6070	TR	2SC2240-BL(TPE2_F)	1	2211406T
PCB1	Q6070 or	TR	2SC2240-GR	(1)	2211405T
PCB1	Q6071	TR	2SC2240-BL(TPE2_F)	1	2211406T
PCB1	Q6071 or	TR	2SC2240-GR	(1)	2211405T
PCB1	Q6072	TR	2SC2240-BL(TPE2_F)	1	2211406T
PCB1	Q6072 or	TR	2SC2240-GR	(1)	2211405T
PCB1	Q6073	TR	2SC2240-BL(TPE2_F)	1	2211406T
PCB1	Q6073 or	TR	2SC2240-GR	(1)	2211405T
PCB1	Q6074	TR	2SC2240-BL(TPE2_F)	1	2211406T
PCB1	Q6074 or	TR	2SC2240-GR	(1)	2211405T
PCB1	Q6075	TR	2SC2240-BL(TPE2_F)	1	2211406T
PCB1	Q6075 or	TR	2SC2240-GR	(1)	2211405T
PCB1	Q6076	TR	2SC2240-BL(TPE2_F)	1	2211406T
PCB1	Q6076 or	TR	2SC2240-GR	(1)	2211405T
PCB1	Q6380	IC	LM61CIZ	1	22242212

PCB1	Q6380A	RETAINER	(PTH)	1	27141884-1
PCB1	Q6701	TR	2SC2712-GR	1	2213145R2
PCB1	Q6701 or	TR	KTC3875-GR	(1)	2216175R2
PCB1	Q6702	TR	2SC2712-GR	1	2213145R2
PCB1	Q6702 or	TR	KTC3875-GR	(1)	2216175R2
PCB1	Q6703	TR	2SA1163-BL(TE85L_F)	1	2216756R2
PCB1	Q6707	TR	2SC2712-GR	1	2213145R2
PCB1	Q6707 or	TR	KTC3875-GR	(1)	2216175R2
PCB1	D5000	ZENER D	MTZJ5.6B	1	224470562T
PCB1	D5001	ZENER D	MTZJ5.6B	1	224470562T
PCB1	D5002	ZENER D	MTZJ5.6B	1	224470562T
PCB1	D5003	ZENER D	MTZJ5.6B	1	224470562T
PCB1	D5004	ZENER D	MTZJ5.6B	1	224470562T
PCB1	D5005	ZENER D	MTZJ5.6B	1	224470562T
PCB1	D5006	ZENER D	MTZJ5.6B	1	224470562T
PCB1	D5671	ZENER D	MTZJ6.2C	1	224470623T
PCB1	D5672	ZENER D	MTZJ6.2C	1	224470623T
PCB1	D5673	DIODE	1SS133	1	223163T
PCB1	D5674	DIODE	1SS133	1	223163T
PCB1	D5704	C-DIODE	1SS352	1	223234R2
PCB1	D5704 or	C-DIODE	KDS4148U	(1)	223283R2
PCB1	D5704 or	C-DIODE	1SS355	(1)	223269R2
PCB1	D5705	C-DIODE	1SS352	1	223234R2
PCB1	D5705 or	C-DIODE	KDS4148U	(1)	223283R2
PCB1	D5705 or	C-DIODE	1SS355	(1)	223269R2
PCB1	D5706	C-DIODE	1SS352	1	223234R2
PCB1	D5706 or	C-DIODE	KDS4148U	(1)	223283R2
PCB1	D5706 or	C-DIODE	1SS355	(1)	223269R2
PCB1	D5708	C-DIODE	1SS352	1	223234R2
PCB1	D5708 or	C-DIODE	KDS4148U	(1)	223283R2
PCB1	D5708 or	C-DIODE	1SS355	(1)	223269R2
PCB1	D5714	C-DIODE	1SS352	1	223234R2
PCB1	D5714 or	C-DIODE	KDS4148U	(1)	223283R2
PCB1	D5714 or	C-DIODE	1SS355	(1)	223269R2
PCB1	D5715	C-DIODE	1SS352	1	223234R2
PCB1	D5715 or	C-DIODE	KDS4148U	(1)	223283R2
PCB1	D5715 or	C-DIODE	1SS355	(1)	223269R2
PCB1	D5716	C-DIODE	1SS352	1	223234R2
PCB1	D5716 or	C-DIODE	KDS4148U	(1)	223283R2
PCB1	D5716 or	C-DIODE	1SS355	(1)	223269R2
PCB1	D5718	C-DIODE	1SS352	1	223234R2
PCB1	D5718 or	C-DIODE	KDS4148U	(1)	223283R2
PCB1	D5718 or	C-DIODE	1SS355	(1)	223269R2
PCB1	D6000	C-DIODE	1SS352	1	223234R2
PCB1	D6000 or	C-DIODE	KDS4148U	(1)	223283R2
PCB1	D6000 or	C-DIODE	1SS355	(1)	223269R2
PCB1	D6001	C-DIODE	1SS352	1	223234R2
PCB1	D6001 or	C-DIODE	KDS4148U	(1)	223283R2
PCB1	D6001 or	C-DIODE	1SS355	(1)	223269R2
PCB1	D6002	C-DIODE	1SS352	1	223234R2
PCB1	D6002 or	C-DIODE	KDS4148U	(1)	223283R2

PCB1	D6002 or	C-DIODE	ISS355	(1)	223269R2
PCB1	D6003	C-DIODE	ISS352	1	223234R2
PCB1	D6003 or	C-DIODE	KDS4148U	(1)	223283R2
PCB1	D6003 or	C-DIODE	ISS355	(1)	223269R2
PCB1	D6004	C-DIODE	ISS352	1	223234R2
PCB1	D6004 or	C-DIODE	KDS4148U	(1)	223283R2
PCB1	D6004 or	C-DIODE	ISS355	(1)	223269R2
PCB1	D6005	C-DIODE	ISS352	1	223234R2
PCB1	D6005 or	C-DIODE	KDS4148U	(1)	223283R2
PCB1	D6005 or	C-DIODE	ISS355	(1)	223269R2
PCB1	D6006	C-DIODE	ISS352	1	223234R2
PCB1	D6006 or	C-DIODE	KDS4148U	(1)	223283R2
PCB1	D6006 or	C-DIODE	ISS355	(1)	223269R2
PCB1	D6010	C-DIODE	ISS352	1	223234R2
PCB1	D6010 or	C-DIODE	KDS4148U	(1)	223283R2
PCB1	D6010 or	C-DIODE	ISS355	(1)	223269R2
PCB1	D6011	C-DIODE	ISS352	1	223234R2
PCB1	D6011 or	C-DIODE	KDS4148U	(1)	223283R2
PCB1	D6011 or	C-DIODE	ISS355	(1)	223269R2
PCB1	D6012	C-DIODE	ISS352	1	223234R2
PCB1	D6012 or	C-DIODE	KDS4148U	(1)	223283R2
PCB1	D6012 or	C-DIODE	ISS355	(1)	223269R2
PCB1	D6013	C-DIODE	ISS352	1	223234R2
PCB1	D6013 or	C-DIODE	KDS4148U	(1)	223283R2
PCB1	D6013 or	C-DIODE	ISS355	(1)	223269R2
PCB1	D6014	C-DIODE	ISS352	1	223234R2
PCB1	D6014 or	C-DIODE	KDS4148U	(1)	223283R2
PCB1	D6014 or	C-DIODE	ISS355	(1)	223269R2
PCB1	D6015	C-DIODE	ISS352	1	223234R2
PCB1	D6015 or	C-DIODE	KDS4148U	(1)	223283R2
PCB1	D6015 or	C-DIODE	ISS355	(1)	223269R2
PCB1	D6016	C-DIODE	ISS352	1	223234R2
PCB1	D6016 or	C-DIODE	KDS4148U	(1)	223283R2
PCB1	D6016 or	C-DIODE	ISS355	(1)	223269R2
PCB1	D6701	C-DIODE	ISS352	1	223234R2
PCB1	D6701 or	C-DIODE	KDS4148U	(1)	223283R2
PCB1	D6701 or	C-DIODE	ISS355	(1)	223269R2
PCB1	D6702	C-DIODE	ISS352	1	223234R2
PCB1	D6702 or	C-DIODE	KDS4148U	(1)	223283R2
PCB1	D6702 or	C-DIODE	ISS355	(1)	223269R2
PCB1	D6703	ZENER D	UDZS5.1B	1	224550510R2
PCB1	D6704	ZENER D	UDZS5.1B	1	224550510R2
PCB1	D6901	DIODE	D10XB60H	1	22380337
PCB1	D6901A	HEAT SINK	RAD-196	1	27160545
PCB1	D6901C	SCREW	3P+10FN(3BC)	2	82143010GR
PCB1	D6902	C-DIODE	ISS352	1	223234R2
PCB1	D6902 or	C-DIODE	KDS4148U	(1)	223283R2
PCB1	D6902 or	C-DIODE	ISS355	(1)	223269R2
PCB1	D6903	DIODE	D10XB60H	1	22380337
PCB1	D9001	DIODE	RL1N4003	1	22380260T
PCB1	D9001 or	DIODE	GP104003E	(1)	22380035T

PCB1	D9002	DIODE	RL1N4003	1	22380260T
PCB1	D9002 or	DIODE	GP104003E	(1)	22380035T
PCB1	D9003	DIODE	RL1N4003	1	22380260T
PCB1	D9003 or	DIODE	GP104003E	(1)	22380035T
PCB1	D9004	DIODE	RL1N4003	1	22380260T
PCB1	D9004 or	DIODE	GP104003E	(1)	22380035T
PCB1	C5000	TF C	ECQ-B50V-221K	1	374722215T
PCB1	C5001	TF C	ECQ-B50V-221K	1	374722215T
PCB1	C5002	TF C	ECQ-B50V-221K	1	374722215T
PCB1	C5003	TF C	ECQ-B50V-221K	1	374722215T
PCB1	C5004	TF C	ECQ-B50V-221K	1	374722215T
PCB1	C5005	TF C	ECQ-B50V-221K	1	374722215T
PCB1	C5006	TF C	ECQ-B50V-221K	1	374722215T
PCB1	C5010	UTSP C	CE04W50V-47M(UTSP)	1	397584707T
PCB1	C5011	UTSP C	CE04W50V-47M(UTSP)	1	397584707T
PCB1	C5012	UTSP C	CE04W50V-47M(UTSP)	1	397584707T
PCB1	C5013	UTSP C	CE04W50V-47M(UTSP)	1	397584707T
PCB1	C5014	UTSP C	CE04W50V-47M(UTSP)	1	397584707T
PCB1	C5015	UTSP C	CE04W50V-47M(UTSP)	1	397584707T
PCB1	C5016	UTSP C	CE04W50V-47M(UTSP)	1	397584707T
PCB1	C5020	UTSP C	CE04W50V-10M(UTSP)	1	397581007T
PCB1	C5021	UTSP C	CE04W50V-10M(UTSP)	1	397581007T
PCB1	C5022	UTSP C	CE04W50V-10M(UTSP)	1	397581007T
PCB1	C5023	UTSP C	CE04W50V-10M(UTSP)	1	397581007T
PCB1	C5024	UTSP C	CE04W50V-10M(UTSP)	1	397581007T
PCB1	C5025	UTSP C	CE04W50V-10M(UTSP)	1	397581007T
PCB1	C5026	UTSP C	CE04W50V-10M(UTSP)	1	397581007T
PCB1	C5040	UTSP C	CE04W25V-220M(UTSP)	1	397552217T
PCB1	C5041	UTSP C	CE04W25V-220M(UTSP)	1	397552217T
PCB1	C5042	UTSP C	CE04W25V-220M(UTSP)	1	397552217T
PCB1	C5043	UTSP C	CE04W25V-220M(UTSP)	1	397552217T
PCB1	C5044	UTSP C	CE04W25V-220M(UTSP)	1	397552217T
PCB1	C5045	UTSP C	CE04W25V-220M(UTSP)	1	397552217T
PCB1	C5046	UTSP C	CE04W25V-220M(UTSP)	1	397552217T
PCB1	C5050	UTSP C	CE04W50V-47M(UTSP)	1	397584707T
PCB1	C5051	UTSP C	CE04W50V-47M(UTSP)	1	397584707T
PCB1	C5052	UTSP C	CE04W50V-47M(UTSP)	1	397584707T
PCB1	C5053	UTSP C	CE04W50V-47M(UTSP)	1	397584707T
PCB1	C5054	UTSP C	CE04W50V-47M(UTSP)	1	397584707T
PCB1	C5055	UTSP C	CE04W50V-47M(UTSP)	1	397584707T
PCB1	C5056	UTSP C	CE04W50V-47M(UTSP)	1	397584707T
PCB1	C5080	CERA C	CC45SL50V-040D	1	345020402T
PCB1	C5081	CERA C	CC45SL50V-040D	1	345020402T
PCB1	C5082	CERA C	CC45SL50V-040D	1	345020402T
PCB1	C5083	CERA C	CC45SL50V-040D	1	345020402T
PCB1	C5084	CERA C	CC45SL50V-040D	1	345020402T
PCB1	C5085	CERA C	CC45SL50V-040D	1	345020402T
PCB1	C5086	CERA C	CC45SL50V-040D	1	345020402T
PCB1	C5090	TF C	ECQ-B50V-101K	1	374721015T
PCB1	C5091	TF C	ECQ-B50V-101K	1	374721015T
PCB1	C5092	TF C	ECQ-B50V-101K	1	374721015T

PCB1	C5093	TF C	ECQ-B50V-101K	1	374721015T
PCB1	C5094	TF C	ECQ-B50V-101K	1	374721015T
PCB1	C5095	TF C	ECQ-B50V-101K	1	374721015T
PCB1	C5096	TF C	ECQ-B50V-101K	1	374721015T
PCB1	C5100	VR C	CE04W100V-22M(VR)	1	394692207T
PCB1	C5101	VR C	CE04W100V-22M(VR)	1	394692207T
PCB1	C5102	VR C	CE04W100V-22M(VR)	1	394692207T
PCB1	C5103	VR C	CE04W100V-22M(VR)	1	394692207T
PCB1	C5104	VR C	CE04W100V-22M(VR)	1	394692207T
PCB1	C5105	VR C	CE04W100V-22M(VR)	1	394692207T
PCB1	C5106	VR C	CE04W100V-22M(VR)	1	394692207T
PCB1	C5110	VR C	CE04W100V-22M(VR)	1	394692207T
PCB1	C5111	VR C	CE04W100V-22M(VR)	1	394692207T
PCB1	C5112	VR C	CE04W100V-22M(VR)	1	394692207T
PCB1	C5113	VR C	CE04W100V-22M(VR)	1	394692207T
PCB1	C5114	VR C	CE04W100V-22M(VR)	1	394692207T
PCB1	C5115	VR C	CE04W100V-22M(VR)	1	394692207T
PCB1	C5116	VR C	CE04W100V-22M(VR)	1	394692207T
PCB1	C5503	TF C	ECQ-B50V-221K	1	374722215T
PCB1	C5504	TF C	ECQ-B50V-221K	1	374722215T
PCB1	C5507	C-CERA C	CC725CH1H-221J1	1	342102214R1
PCB1	C5508	C-CERA C	CC725CH1H-221J1	1	342102214R1
PCB1	C5513	C-CERA C	CC725CH1H-221J1	1	342102214R1
PCB1	C5514	C-CERA C	CC725CH1H-221J1	1	342102214R1
PCB1	C5517	C-CERA C	CC725CH1H-221J1	1	342102214R1
PCB1	C5518	C-CERA C	CC725CH1H-221J1	1	342102214R1
PCB1	C5519	TF C	ECQ-B50V-221K	1	374722215T
PCB1	C5520	TF C	ECQ-B50V-221K	1	374722215T
PCB1	C5521	C-CERA C	CC725CH1H-221J1	1	342102214R1
PCB1	C5522	C-CERA C	CC725CH1H-221J1	1	342102214R1
PCB1	C5523	C-CERA C	CC725CH1H-221J1	1	342102214R1
PCB1	C5524	TF C	ECQ-B50V-221K	1	374722215T
PCB1	C5525	C-CERA C	CC725CH1H-221J1	1	342102214R1
PCB1	C5526	C-CERA C	CC725CH1H-221J1	1	342102214R1
PCB1	C5551	VX C	CE04W25V-47M(VX_BLK)	1	397354707T
PCB1	C5552	VX C	CE04W25V-47M(VX_BLK)	1	397354707T
PCB1	C5553	UTSP C	CE04W25V-47M(UTSP)	1	397554707T
PCB1	C5554	UTSP C	CE04W25V-47M(UTSP)	1	397554707T
PCB1	C5555	UTSP C	CE04W25V-47M(UTSP)	1	397554707T
PCB1	C5556	UTSP C	CE04W25V-47M(UTSP)	1	397554707T
PCB1	C5557	UTSP C	CE04W25V-47M(UTSP)	1	397554707T
PCB1	C5558	UTSP C	CE04W25V-47M(UTSP)	1	397554707T
PCB1	C5559	TF C	ECQ-V50V-474J	1	374724744T
PCB1	C5560	TF C	ECQ-V50V-823J	1	374728234T
PCB1	C5561	TF C	ECQ-B50V-223J	1	374722234T
PCB1	C5562	TF C	ECQ-V50V-474J	1	374724744T
PCB1	C5563	TF C	ECQ-V50V-823J	1	374728234T
PCB1	C5564	TF C	ECQ-B50V-223J	1	374722234T
PCB1	C5565	UTSP C	CE04W25V-47M(UTSP)	1	397554707T
PCB1	C5566	UTSP C	CE04W25V-47M(UTSP)	1	397554707T
PCB1	C5569	UTSP C	CE04W50V 47M(UTSP)	1	397584707T

PCB1	C5570	UTSP C	CE04W50V 47M(UTSP)	1	397584707T
PCB1	C5571	UTSP C	CE04W50V 47M(UTSP)	1	397584707T
PCB1	C5572	UTSP C	CE04W50V 47M(UTSP)	1	397584707T
PCB1	C5573	UTSP C	CE04W50V 47M(UTSP)	1	397584707T
PCB1	C5574	UTSP C	CE04W50V 47M(UTSP)	1	397584707T
PCB1	C5575	UTSP C	CE04W50V 47M(UTSP)	1	397584707T
PCB1	C5576	UTSP C	CE04W50V 47M(UTSP)	1	397584707T
PCB1	C5590	C-CERA C	CC725CH1H-330J1	1	342103304R1
PCB1	C5591	C-CERA C	CC725CH1H-330J1	1	342103304R1
PCB1	C5600	UTSP C	CE04W25V-100M(UTSP)	1	397551017T
PCB1	C5601	UTSP C	CE04W50V 47M(UTSP)	1	397584707T
PCB1	C5602	UTSP C	CE04W50V 47M(UTSP)	1	397584707T
PCB1	C5603	UTSP C	CE04W50V 47M(UTSP)	1	397584707T
PCB1	C5604	UTSP C	CE04W50V 47M(UTSP)	1	397584707T
PCB1	C5605	UTSP C	CE04W50V 47M(UTSP)	1	397584707T
PCB1	C5606	UTSP C	CE04W50V 47M(UTSP)	1	397584707T
PCB1	C5607	UTSP C	CE04W50V 47M(UTSP)	1	397584707T
PCB1	C5630	UTSP C	CE04W50V 47M(UTSP)	1	397584707T
PCB1	C5631	C-CERA C	CC725CH1H-221J1	1	342102214R1
PCB1	C5632	TF C	ECQ-B50V-103J	1	374721034T
PCB1	C5666	UTSP C	CE04W25V-220M(UTSP)	1	397552217T
PCB1	C5667	UTSP C	CE04W25V-220M(UTSP)	1	397552217T
PCB1	C5670	UTSP C	CE04W50V-10M(UTSP)	1	397581007T
PCB1	C5671	UTSP C	CE04W50V-10M(UTSP)	1	397581007T
PCB1	C5672	UTSP C	CE04W25V-220M(UTSP)	1	397552217T
PCB1	C5673	UTSP C	CE04W25V-220M(UTSP)	1	397552217T
PCB1	C5674	UTSP C	CE04W16V-470M(UTSP)	1	397544717T
PCB1	C5675	UTSP C	CE04W16V-470M(UTSP)	1	397544717T
PCB1	C5704	C-CERA C	CC725CH1H-221J1	1	342102214R1
PCB1	C5705	C-CERA C	CC725CH1H-221J1	1	342102214R1
PCB1	C5706	C-CERA C	CC725CH1H-221J1	1	342102214R1
PCB1	C5708	C-CERA C	CK725B1H-222K1	1	332102225R1
PCB1	C6030	TF C	ECQ-V50V-473J	1	374724734T
PCB1	C6031	TF C	ECQ-V50V-473J	1	374724734T
PCB1	C6032	TF C	ECQ-V50V-473J	1	374724734T
PCB1	C6033	TF C	ECQ-V50V-473J	1	374724734T
PCB1	C6034	TF C	ECQ-V50V-473J	1	374724734T
PCB1	C6035	TF C	ECQ-V50V-473J	1	374724734T
PCB1	C6036	TF C	ECQ-V50V-473J	1	374724734T
PCB1	C6040	UTSP C	CE04W50V 47M(UTSP)	1	397584707T
PCB1	C6041	UTSP C	CE04W50V 47M(UTSP)	1	397584707T
PCB1	C6042	UTSP C	CE04W50V 47M(UTSP)	1	397584707T
PCB1	C6043	UTSP C	CE04W50V 47M(UTSP)	1	397584707T
PCB1	C6044	UTSP C	CE04W50V 47M(UTSP)	1	397584707T
PCB1	C6045	UTSP C	CE04W50V 47M(UTSP)	1	397584707T
PCB1	C6046	UTSP C	CE04W50V 47M(UTSP)	1	397584707T
PCB1	C6050	TF C	ECQ-B50V-103J	1	374721034T
PCB1	C6051	TF C	ECQ-B50V-103J	1	374721034T
PCB1	C6052	TF C	ECQ-B50V-103J	1	374721034T
PCB1	C6053	TF C	ECQ-B50V-103J	1	374721034T
PCB1	C6054	TF C	ECQ-B50V-103J	1	374721034T

PCB1	C6055	TF C	ECQ-B50V-103J	1	374721034T
PCB1	C6056	TF C	ECQ-B50V-103J	1	374721034T
PCB1	C6076	TF C	ECQ-B50V-102J	1	374721024T
PCB1	C6077	TF C	ECQ-B50V-102J	1	374721024T
PCB1	C6086	TF C	ECQ-B50V-103J	1	374721034T
PCB1	C6087	TF C	ECQ-B50V-103J	1	374721034T
PCB1	C6701	UTSP C	CE04W25V-100M(UTSP)	1	397551017T
PCB1	C6703	C-CERA C	CK725F1H-104Z1	1	332151040R1
PCB1	C6704	UTSP C	CE04W50V-1M(UTSP)	1	397580107T
PCB1	C6706	UTSP C	CE04W50V-10M(UTSP)	1	397581007T
PCB1	C6901	ELECT C	CE69W63V-10000MB	1	3504418
PCB1	C6901 or	ELECT C	CE69W63V-10000MA	(1)	3504417
PCB1	C6901A	IB CUSHION	W15*3t TAPE	1	28141585
PCB1	C6902	ELECT C	CE69W63V-10000MB	1	3504418
PCB1	C6902 or	ELECT C	CE69W63V-10000MA	(1)	3504417
PCB1	C6902A	IB CUSHION	W15*3t TAPE	1	28141585
PCB1	C6911	C-CERA C	CC725CH1H-102J1	1	342101024R1
PCB1	C6912	TF C	ECQ-V50V-334J	1	374723344T
PCB1	C6913	TF C	ECQ-V50V-334J	1	374723344T
PCB1	C6915	TF C	ECQ-V50V-104J	1	374721044T
PCB1	C6916	TF C	ECQ-V50V-104J	1	374721044T
PCB1	C9001	MMT C	MMT50V-334J	1	375523344T
PCB1	C9003	VR C	CE04W35V-1000M(VR)	1	394661027S
PCB1	C9004	VR C	CE04W35V-1000M(VR)	1	394661027S
PCB1	R5000	CARBON R	R16J-1K	1	417341024T
PCB1	R5001	CARBON R	R16J-1K	1	417341024T
PCB1	R5002	CARBON R	R16J-1K	1	417341024T
PCB1	R5003	CARBON R	R16J-1K	1	417341024T
PCB1	R5004	CARBON R	R16J-1K	1	417341024T
PCB1	R5005	CARBON R	R16J-1K	1	417341024T
PCB1	R5006	CARBON R	R16J-1K	1	417341024T
PCB1	R5010	CARBON R	R16J-56K	1	417345634T
PCB1	R5011	CARBON R	R16J-56K	1	417345634T
PCB1	R5012	CARBON R	R16J-56K	1	417345634T
PCB1	R5013	CARBON R	R16J-56K	1	417345634T
PCB1	R5014	CARBON R	R16J-56K	1	417345634T
PCB1	R5015	CARBON R	R16J-56K	1	417345634T
PCB1	R5016	CARBON R	R16J-56K	1	417345634T
PCB1	R5020	CARBON R	R16J-330	1	417343314T
PCB1	R5021	CARBON R	R16J-330	1	417343314T
PCB1	R5022	CARBON R	R16J-330	1	417343314T
PCB1	R5023	CARBON R	R16J-330	1	417343314T
PCB1	R5024	CARBON R	R16J-330	1	417343314T
PCB1	R5025	CARBON R	R16J-330	1	417343314T
PCB1	R5026	CARBON R	R16J-330	1	417343314T
PCB1	R5030	CARBON R	R16J-120K	1	417341244T
PCB1	R5031	CARBON R	R16J-120K	1	417341244T
PCB1	R5032	CARBON R	R16J-120K	1	417341244T
PCB1	R5033	CARBON R	R16J-120K	1	417341244T
PCB1	R5034	CARBON R	R16J-120K	1	417341244T
PCB1	R5035	CARBON R	R16J-120K	1	417341244T

PCB1	R5036	CARBON R	R16J-120K	1	417341244T
PCB1	R5040	CARBON R	R16J-2.2K	1	417342224T
PCB1	R5041	CARBON R	R16J-2.2K	1	417342224T
PCB1	R5042	CARBON R	R16J-2.2K	1	417342224T
PCB1	R5043	CARBON R	R16J-2.2K	1	417342224T
PCB1	R5044	CARBON R	R16J-2.2K	1	417342224T
PCB1	R5045	CARBON R	R16J-2.2K	1	417342224T
PCB1	R5046	CARBON R	R16J-2.2K	1	417342224T
PCB1	R5050	CARBON R	R16J-4.7K	1	417344724T
PCB1	R5051	CARBON R	R16J-4.7K	1	417344724T
PCB1	R5052	CARBON R	R16J-4.7K	1	417344724T
PCB1	R5053	CARBON R	R16J-4.7K	1	417344724T
PCB1	R5054	CARBON R	R16J-4.7K	1	417344724T
PCB1	R5055	CARBON R	R16J-4.7K	1	417344724T
PCB1	R5056	CARBON R	R16J-4.7K	1	417344724T
PCB1	R5060	CARBON R	R16J-1.2K	1	417341224T
PCB1	R5061	CARBON R	R16J-1.2K	1	417341224T
PCB1	R5062	CARBON R	R16J-1.2K	1	417341224T
PCB1	R5063	CARBON R	R16J-1.2K	1	417341224T
PCB1	R5064	CARBON R	R16J-1.2K	1	417341224T
PCB1	R5065	CARBON R	R16J-1.2K	1	417341224T
PCB1	R5066	CARBON R	R16J-1.2K	1	417341224T
PCB1	R5080	CARBON R	R16J-470	1	417344714T
PCB1	R5081	CARBON R	R16J-470	1	417344714T
PCB1	R5082	CARBON R	R16J-470	1	417344714T
PCB1	R5083	CARBON R	R16J-470	1	417344714T
PCB1	R5084	CARBON R	R16J-470	1	417344714T
PCB1	R5085	CARBON R	R16J-470	1	417344714T
PCB1	R5086	CARBON R	R16J-470	1	417344714T
PCB1	R5090	CARBON R	R16J-100K	1	417341044T
PCB1	R5091	CARBON R	R16J-100K	1	417341044T
PCB1	R5092	CARBON R	R16J-100K	1	417341044T
PCB1	R5093	CARBON R	R16J-100K	1	417341044T
PCB1	R5094	CARBON R	R16J-100K	1	417341044T
PCB1	R5095	CARBON R	R16J-100K	1	417341044T
PCB1	R5096	CARBON R	R16J-100K	1	417341044T
PCB1	R5100	CARBON R	R16J-100K	1	417341044T
PCB1	R5101	CARBON R	R16J-100K	1	417341044T
PCB1	R5102	CARBON R	R16J-100K	1	417341044T
PCB1	R5103	CARBON R	R16J-100K	1	417341044T
PCB1	R5104	CARBON R	R16J-100K	1	417341044T
PCB1	R5105	CARBON R	R16J-100K	1	417341044T
PCB1	R5106	CARBON R	R16J-100K	1	417341044T
PCB1	R5110	CARBON R	R16J-1K	1	417341024T
PCB1	R5111	CARBON R	R16J-1K	1	417341024T
PCB1	R5112	CARBON R	R16J-1K	1	417341024T
PCB1	R5113	CARBON R	R16J-1K	1	417341024T
PCB1	R5114	CARBON R	R16J-1K	1	417341024T
PCB1	R5115	CARBON R	R16J-1K	1	417341024T
PCB1	R5116	CARBON R	R16J-1K	1	417341024T
PCB1	R5130	CARBON R	R16J-18K	1	417341834T

PCB1	R5131	CARBON R	R16J-18K	1	417341834T
PCB1	R5132	CARBON R	R16J-18K	1	417341834T
PCB1	R5133	CARBON R	R16J-22K	1	417342234T
PCB1	R5134	CARBON R	R16J-22K	1	417342234T
PCB1	R5135	CARBON R	R16J-22K	1	417342234T
PCB1	R5136	CARBON R	R16J-22K	1	417342234T
PCB1	R5160	NF CARBON R	R25J-100	1	415471014T
PCB1	R5161	NF CARBON R	R25J-100	1	415471014T
PCB1	R5162	NF CARBON R	R25J-100	1	415471014T
PCB1	R5163	NF CARBON R	R25J-100	1	415471014T
PCB1	R5164	NF CARBON R	R25J-100	1	415471014T
PCB1	R5165	NF CARBON R	R25J-100	1	415471014T
PCB1	R5166	NF CARBON R	R25J-100	1	415471014T
PCB1	R5170	NF CARBON R	R25J-100	1	415471014T
PCB1	R5171	NF CARBON R	R25J-100	1	415471014T
PCB1	R5172	NF CARBON R	R25J-100	1	415471014T
PCB1	R5173	NF CARBON R	R25J-100	1	415471014T
PCB1	R5174	NF CARBON R	R25J-100	1	415471014T
PCB1	R5175	NF CARBON R	R25J-100	1	415471014T
PCB1	R5176	NF CARBON R	R25J-100	1	415471014T
PCB1	R5180	NF CARBON R	R25J-10	1	415471004T
PCB1	R5181	NF CARBON R	R25J-10	1	415471004T
PCB1	R5182	NF CARBON R	R25J-10	1	415471004T
PCB1	R5183	NF CARBON R	R25J-10	1	415471004T
PCB1	R5184	NF CARBON R	R25J-10	1	415471004T
PCB1	R5185	NF CARBON R	R25J-10	1	415471004T
PCB1	R5186	NF CARBON R	R25J-10	1	415471004T
PCB1	R5190	NF CARBON R	R25J-10	1	415471004T
PCB1	R5191	NF CARBON R	R25J-10	1	415471004T
PCB1	R5192	NF CARBON R	R25J-10	1	415471004T
PCB1	R5193	NF CARBON R	R25J-10	1	415471004T
PCB1	R5194	NF CARBON R	R25J-10	1	415471004T
PCB1	R5195	NF CARBON R	R25J-10	1	415471004T
PCB1	R5196	NF CARBON R	R25J-10	1	415471004T
PCB1	R5200	CARBON R	R16J-18K	1	417341834T
PCB1	R5201	CARBON R	R16J-18K	1	417341834T
PCB1	R5202	CARBON R	R16J-18K	1	417341834T
PCB1	R5203	CARBON R	R16J-22K	1	417342234T
PCB1	R5204	CARBON R	R16J-22K	1	417342234T
PCB1	R5205	CARBON R	R16J-22K	1	417342234T
PCB1	R5206	CARBON R	R16J-22K	1	417342234T
PCB1	R5230	CARBON R	R16J-120K	1	417341244T
PCB1	R5231	CARBON R	R16J-120K	1	417341244T
PCB1	R5232	CARBON R	R16J-120K	1	417341244T
PCB1	R5233	CARBON R	R16J-120K	1	417341244T
PCB1	R5234	CARBON R	R16J-120K	1	417341244T
PCB1	R5235	CARBON R	R16J-120K	1	417341244T
PCB1	R5236	CARBON R	R16J-120K	1	417341244T
PCB1	R5500	C-CARBON R	RN72K1J-331JE	1	435033314R1
PCB1	R5503	C-CARBON R	RN72K1J-331JE	1	435033314R1
PCB1	R5504	C-CARBON R	RN72K1J-331JE	1	435033314R1

PCB1	R5505	C-CARBON R	RN72K1J-222JE	1	435032224R1	
PCB1	R5506	C-CARBON R	RN72K1J-222JE	1	435032224R1	
PCB1	R5507	C-CARBON R	RN72K1J-331JE	1	435033314R1	
PCB1	R5508	C-CARBON R	RN72K1J-331JE	1	435033314R1	
PCB1	R5513	C-CARBON R	RN72K1J-331JE	1	435033314R1	
PCB1	R5514	C-CARBON R	RN72K1J-331JE	1	435033314R1	
PCB1	R5515	C-CARBON R	RN72K1J-222JE	1	435032224R1	
PCB1	R5516	C-CARBON R	RN72K1J-222JE	1	435032224R1	
PCB1	R5517	C-CARBON R	RN72K1J-331JE	1	435033314R1	
PCB1	R5518	C-CARBON R	RN72K1J-331JE	1	435033314R1	
PCB1	R5519	C-CARBON R	RN72K1J-331JE	1	435033314R1	
PCB1	R5520	C-CARBON R	RN72K1J-331JE	1	435033314R1	
PCB1	R5521	C-CARBON R	RN72K1J-331JE	1	435033314R1	
PCB1	R5522	C-CARBON R	RN72K1J-331JE	1	435033314R1	
PCB1	R5523	C-CARBON R	RN72K1J-331JE	1	435033314R1	
PCB1	R5524	C-CARBON R	RN72K1J-331JE	1	435033314R1	
PCB1	R5525	C-CARBON R	RN72K1J-331JE	1	435033314R1	
PCB1	R5526	C-CARBON R	RN72K1J-331JE	1	435033314R1	
PCB1	R5531	C-CARBON R	RN72K1J-101JE	1	435031014R1	
PCB1	R5541	C-CARBON R	RN72K1J-224JE	1	435032244R1	
PCB1	R5542	C-CARBON R	RN72K1J-224JE	1	435032244R1	
PCB1	R5543	C-CARBON R	RN72K1J-224JE	1	435032244R1	
PCB1	R5544	C-CARBON R	RN72K1J-224JE	1	435032244R1	
PCB1	R5545	C-CARBON R	RN72K1J-224JE	1	435032244R1	
PCB1	R5546	C-CARBON R	RN72K1J-224JE	1	435032244R1	
PCB1	R5547	C-CARBON R	RN72K1J-224JE	1	435032244R1	
PCB1	R5548	C-CARBON R	RN72K1J-224JE	1	435032244R1	
PCB1	R5553	C-CARBON R	RN72K1J-224JE	1	435032244R1	
PCB1	R5554	C-CARBON R	RN72K1J-224JE	1	435032244R1	
PCB1	R5555	C-CARBON R	RN72K1J-224JE	1	435032244R1	
PCB1	R5556	C-CARBON R	RN72K1J-224JE	1	435032244R1	
PCB1	R5557	C-CARBON R	RN72K1J-224JE	1	435032244R1	
PCB1	R5558	C-CARBON R	RN72K1J-224JE	1	435032244R1	
PCB1	R5559	C-CARBON R	RN72K1J-224JE	1	435032244R1	
PCB1	R5560	C-CARBON R	RN72K1J-224JE	1	435032244R1	
PCB1	R5561	C-CARBON R	RN72K1J-224JE	1	435032244R1	
PCB1	R5562	C-CARBON R	RN72K1J-224JE	1	435032244R1	
PCB1	R5563	C-CARBON R	RN72K1J-224JE	1	435032244R1	
PCB1	R5564	C-CARBON R	RN72K1J-224JE	1	435032244R1	
PCB1	R5565	C-CARBON R	RN72K1J-224JE	1	435032244R1	
PCB1	R5566	C-CARBON R	RN72K1J-224JE	1	435032244R1	
PCB1	R5575	C-CARBON R	RN72K1J-224JE	1	435032244R1	
PCB1	R5576	C-CARBON R	RN72K1J-224JE	1	435032244R1	
PCB1	R5577	C-CARBON R	RN72K1J-473JE	1	435034734R1	
PCB1	R5578	C-CARBON R	RN72K1J-473JE	1	435034734R1	
PCB1	R5579	C-CARBON R	RN72K1J-224JE	1	435032244R1	
PCB1	R5580	C-CARBON R	RN72K1J-224JE	1	435032244R1	<MDD, MDC>
PCB1	R5581	C-CARBON R	RN72K1J-224JE	1	435032244R1	<MDD, MDC>
PCB1	R5582	C-CARBON R	RN72K1J-224JE	1	435032244R1	<MDD, MDC>
PCB1	R5583	C-CARBON R	RN72K1J-224JE	1	435032244R1	<MDD, MDC>
PCB1	R5585	C-CARBON R	RN72K1J-182JE	1	435031824R1	

PCB1	R5586	C-CARBON R	RN72K1J-182JE	1	435031824R1
PCB1	R5587	C-CARBON R	RN72K1J-103JE	1	435031034R1
PCB1	R5588	C-CARBON R	RN72K1J-103JE	1	435031034R1
PCB1	R5589	CARBON R	R16J-1K	1	417341024T
PCB1	R5590	C-CARBON R	RN72K1J-103JE	1	435031034R1
PCB1	R5591	C-CARBON R	RN72K1J-103JE	1	435031034R1
PCB1	R5592	C-CARBON R	RN72K1J-471JE	1	435034714R1
PCB1	R5593	C-CARBON R	RN72K1J-122JE	1	435031224R1
PCB1	R5594	C-CARBON R	RN72K1J-103JE	1	435031034R1
PCB1	R5595	C-CARBON R	RN72K1J-103JE	1	435031034R1
PCB1	R5596	C-CARBON R	RN72K1J-471JE	1	435034714R1
PCB1	R5597	C-CARBON R	RN72K1J-122JE	1	435031224R1
PCB1	R5598	C-CARBON R	RN72K1J-103JE	1	435031034R1
PCB1	R5599	C-CARBON R	RN72K1J-103JE	1	435031034R1
PCB1	R5600	C-CARBON R	RN72K1J-224JE	1	435032244R1
PCB1	R5601	C-CARBON R	RN72K1J-224JE	1	435032244R1
PCB1	R5602	C-CARBON R	RN72K1J-224JE	1	435032244R1
PCB1	R5603	C-CARBON R	RN72K1J-224JE	1	435032244R1
PCB1	R5604	C-CARBON R	RN72K1J-224JE	1	435032244R1
PCB1	R5605	C-CARBON R	RN72K1J-224JE	1	435032244R1
PCB1	R5606	C-CARBON R	RN72K1J-224JE	1	435032244R1
PCB1	R5607	C-CARBON R	RN72K1J-224JE	1	435032244R1
PCB1	R5610	C-CARBON R	RN72K1J-271JE	1	435032714R1
PCB1	R5611	C-CARBON R	RN72K1J-222JE	1	435032224R1
PCB1	R5612	C-CARBON R	RN72K1J-222JE	1	435032224R1
PCB1	R5613	C-CARBON R	RN72K1J-222JE	1	435032224R1
PCB1	R5614	C-CARBON R	RN72K1J-222JE	1	435032224R1
PCB1	R5615	C-CARBON R	RN72K1J-222JE	1	435032224R1
PCB1	R5616	C-CARBON R	RN72K1J-222JE	1	435032224R1
PCB1	R5617	C-CARBON R	RN72K1J-222JE	1	435032224R1
PCB1	R5620	C-CARBON R	RN72K1J-101JE	1	435031014R1
PCB1	R5621	C-CARBON R	RN72K1J-000JE	1	435030004R1
PCB1	R5622	C-CARBON R	RN72K1J-000JE	1	435030004R1
PCB1	R5623	C-CARBON R	RN72K1J-000JE	1	435030004R1
PCB1	R5624	C-CARBON R	RN72K1J-000JE	1	435030004R1
PCB1	R5625	C-CARBON R	RN72K1J-000JE	1	435030004R1
PCB1	R5626	C-CARBON R	RN72K1J-000JE	1	435030004R1
PCB1	R5627	C-CARBON R	RN72K1J-000JE	1	435030004R1
PCB1	R5630	C-CARBON R	RN72K1J-221JE	1	435032214R1
PCB1	R5631	C-CARBON R	RN72K1J-473JE	1	435034734R1
PCB1	R5632	C-CARBON R	RN72K1J-153JE	1	435031534R1
PCB1	R5633	C-CARBON R	RN72K1J-122JE	1	435031224R1
PCB1	R5634	C-CARBON R	RN72K1J-103JE	1	435031034R1
PCB1	R5660	METAL R	RNU1WCJ-2.2	1	453630224T
PCB1	R5661	METAL R	RNU1WCJ-2.2	1	453630224T
PCB1	R5666	CARBON R	R16J-22	1	417342204T
PCB1	R5667	CARBON R	R16J-22	1	417342204T
PCB1	R5670	METAL O R	RS2WBJ-47	1	441724704F
PCB1	R5671	METAL O R	RS2WBJ-68	1	441726804F
PCB1	R5672	METAL O R	RS2WBJ-47	1	441724704F
PCB1	R5673	METAL O R	RS2WBJ-68	1	441726804F

PCB1	R5674	METAL O R	RS1WBJ-82	1	443628204T
PCB1	R5675	METAL O R	RS1WBJ-82	1	443628204T
PCB1	R5681	C-CARBON R	RN72K1J-224JE	1	435032244R1
PCB1	R5814	C-CARBON R	RN72K1J-000JE	1	435030004R1
PCB1	R5820	C-CARBON R	RN72K1J-000JE	1	435030004R1
PCB1	R5822	C-CARBON R	RN72K1J-000JE	1	435030004R1
PCB1	R5823	C-CARBON R	RN72K1J-000JE	1	435030004R1
PCB1	R6000	CARBON R	R16J-5.6K	1	417345624T
PCB1	R6001	CARBON R	R16J-5.6K	1	417345624T
PCB1	R6002	CARBON R	R16J-5.6K	1	417345624T
PCB1	R6003	CARBON R	R16J-5.6K	1	417345624T
PCB1	R6004	CARBON R	R16J-5.6K	1	417345624T
PCB1	R6005	CARBON R	R16J-5.6K	1	417345624T
PCB1	R6006	CARBON R	R16J-5.6K	1	417345624T
PCB1	R6010	CARBON R	R16J-3.9K	1	417343924T
PCB1	R6011	CARBON R	R16J-3.9K	1	417343924T
PCB1	R6012	CARBON R	R16J-3.9K	1	417343924T
PCB1	R6013	CARBON R	R16J-3.9K	1	417343924T
PCB1	R6014	CARBON R	R16J-3.9K	1	417343924T
PCB1	R6015	CARBON R	R16J-3.9K	1	417343924T
PCB1	R6016	CARBON R	R16J-3.9K	1	417343924T
PCB1	R6020	NF CARBON R	R25J-2.2	1	415470224T
PCB1	R6021	NF CARBON R	R25J-2.2	1	415470224T
PCB1	R6022	NF CARBON R	R25J-2.2	1	415470224T
PCB1	R6023	NF CARBON R	R25J-2.2	1	415470224T
PCB1	R6024	NF CARBON R	R25J-2.2	1	415470224T
PCB1	R6025	NF CARBON R	R25J-2.2	1	415470224T
PCB1	R6026	NF CARBON R	R25J-2.2	1	415470224T
PCB1	R6030	CARBON R	R16J-470	1	417344714T
PCB1	R6031	CARBON R	R16J-470	1	417344714T
PCB1	R6032	CARBON R	R16J-470	1	417344714T
PCB1	R6033	CARBON R	R16J-470	1	417344714T
PCB1	R6034	CARBON R	R16J-470	1	417344714T
PCB1	R6035	CARBON R	R16J-470	1	417344714T
PCB1	R6036	CARBON R	R16J-470	1	417344714T
PCB1	R6040	TRIM R	N06HR2KBC	1	5210390T
PCB1	R6041	TRIM R	N06HR2KBC	1	5210390T
PCB1	R6042	TRIM R	N06HR2KBC	1	5210390T
PCB1	R6043	TRIM R	N06HR2KBC	1	5210390T
PCB1	R6044	TRIM R	N06HR2KBC	1	5210390T
PCB1	R6045	TRIM R	N06HR2KBC	1	5210390T
PCB1	R6046	TRIM R	N06HR2KBC	1	5210390T
PCB1	R6050	CARBON R	R16J-3.3K	1	417343324T
PCB1	R6051	CARBON R	R16J-3.3K	1	417343324T
PCB1	R6052	CARBON R	R16J-3.3K	1	417343324T
PCB1	R6053	CARBON R	R16J-3.3K	1	417343324T
PCB1	R6054	CARBON R	R16J-3.3K	1	417343324T
PCB1	R6055	CARBON R	R16J-3.3K	1	417343324T
PCB1	R6056	CARBON R	R16J-3.3K	1	417343324T
PCB1	R6070	NF CARBON R	R25J-82	1	415478204T
PCB1	R6071	NF CARBON R	R25J-82	1	415478204T

PCB1	R6072	NF CARBON R	R25J-82	1	415478204T
PCB1	R6073	NF CARBON R	R25J-100	1	415471014T
PCB1	R6074	NF CARBON R	R25J-100	1	415471014T
PCB1	R6075	NF CARBON R	R25J-100	1	415471014T
PCB1	R6076	NF CARBON R	R25J-100	1	415471014T
PCB1	R6080	NF CARBON R	R25J-0.22	1	415472294T
PCB1	R6081	NF CARBON R	R25J-0.22	1	415472294T
PCB1	R6082	NF CARBON R	R25J-0.22	1	415472294T
PCB1	R6083	NF CARBON R	R25J-0.22	1	415472294T
PCB1	R6084	NF CARBON R	R25J-0.22	1	415472294T
PCB1	R6085	NF CARBON R	R25J-0.22	1	415472294T
PCB1	R6086	NF CARBON R	R25J-0.22	1	415472294T
PCB1	R6090	NF CARBON R	R25J-0.22	1	415472294T
PCB1	R6091	NF CARBON R	R25J-0.22	1	415472294T
PCB1	R6092	NF CARBON R	R25J-0.22	1	415472294T
PCB1	R6093	NF CARBON R	R25J-0.22	1	415472294T
PCB1	R6094	NF CARBON R	R25J-0.22	1	415472294T
PCB1	R6095	NF CARBON R	R25J-0.22	1	415472294T
PCB1	R6096	NF CARBON R	R25J-0.22	1	415472294T
PCB1	R6100	METAL PR	MPR2W+2W 0R22	1	4000234
PCB1	R6100 or	OTHER R	RGC22-0.22 OHMK	(1)	4000131
PCB1	R6100 or	METAL PR	MPC708-2WK-0.22	(1)	4500027
PCB1	R6101	METAL PR	MPR2W+2W 0R22	1	4000234
PCB1	R6101 or	OTHER R	RGC22-0.22 OHMK	(1)	4000131
PCB1	R6101 or	METAL PR	MPC708-2WK-0.22	(1)	4500027
PCB1	R6102	METAL PR	MPR2W+2W 0R22	1	4000234
PCB1	R6102 or	OTHER R	RGC22-0.22 OHMK	(1)	4000131
PCB1	R6102 or	METAL PR	MPC708-2WK-0.22	(1)	4500027
PCB1	R6103	METAL PR	MPR2W+2W 0R22	1	4000234
PCB1	R6103 or	OTHER R	RGC22-0.22 OHMK	(1)	4000131
PCB1	R6103 or	METAL PR	MPC708-2WK-0.22	(1)	4500027
PCB1	R6104	METAL PR	MPR2W+2W 0R22	1	4000234
PCB1	R6104 or	OTHER R	RGC22-0.22 OHMK	(1)	4000131
PCB1	R6104 or	METAL PR	MPC708-2WK-0.22	(1)	4500027
PCB1	R6105	METAL PR	MPR2W+2W 0R22	1	4000234
PCB1	R6105 or	OTHER R	RGC22-0.22 OHMK	(1)	4000131
PCB1	R6105 or	METAL PR	MPC708-2WK-0.22	(1)	4500027
PCB1	R6106	METAL PR	MPR2W+2W 0R22	1	4000234
PCB1	R6106 or	OTHER R	RGC22-0.22 OHMK	(1)	4000131
PCB1	R6106 or	METAL PR	MPC708-2WK-0.22	(1)	4500027
PCB1	R6130	METAL R	RNU1WCJ-8.2	1	453630824T
PCB1	R6131	METAL R	RNU1WCJ-8.2	1	453630824T
PCB1	R6132	METAL R	RNU1WCJ-8.2	1	453630824T
PCB1	R6133	METAL R	RNU1WCJ-8.2	1	453630824T
PCB1	R6134	METAL R	RNU1WCJ-8.2	1	453630824T
PCB1	R6135	METAL R	RNU1WCJ-8.2	1	453630824T
PCB1	R6136	METAL R	RNU1WCJ-8.2	1	453630824T
PCB1	R6140	C-CARBON R	RN72K1J-223JE	1	435032234R1
PCB1	R6141	C-CARBON R	RN72K1J-223JE	1	435032234R1
PCB1	R6142	C-CARBON R	RN72K1J-223JE	1	435032234R1
PCB1	R6143	C-CARBON R	RN72K1J-223JE	1	435032234R1

PCB1	R6144	C-CARBON R	RN72K1J-223JE	1	435032234R1	
PCB1	R6145	C-CARBON R	RN72K1J-223JE	1	435032234R1	
PCB1	R6146	C-CARBON R	RN72K1J-223JE	1	435032234R1	
PCB1	R6150	C-CARBON R	RN72K1J-123JE	1	435031234R1	
PCB1	R6151	C-CARBON R	RN72K1J-123JE	1	435031234R1	
PCB1	R6152	C-CARBON R	RN72K1J-123JE	1	435031234R1	
PCB1	R6153	C-CARBON R	RN72K1J-123JE	1	435031234R1	
PCB1	R6154	C-CARBON R	RN72K1J-123JE	1	435031234R1	
PCB1	R6155	C-CARBON R	RN72K1J-123JE	1	435031234R1	
PCB1	R6156	C-CARBON R	RN72K1J-123JE	1	435031234R1	
PCB1	R6160	CARBON R	R16J-33K	1	417343334T	
PCB1	R6161	CARBON R	R16J-33K	1	417343334T	
PCB1	R6162	CARBON R	R16J-33K	1	417343334T	
PCB1	R6163	CARBON R	R16J-33K	1	417343334T	
PCB1	R6164	CARBON R	R16J-33K	1	417343334T	
PCB1	R6165	CARBON R	R16J-33K	1	417343334T	
PCB1	R6166	CARBON R	R16J-33K	1	417343334T	
PCB1	R6170	CARBON R	R16J-47K	1	417344734T	
PCB1	R6171	CARBON R	R16J-47K	1	417344734T	
PCB1	R6172	CARBON R	R16J-47K	1	417344734T	
PCB1	R6173	CARBON R	R16J-47K	1	417344734T	
PCB1	R6174	CARBON R	R16J-47K	1	417344734T	
PCB1	R6175	CARBON R	R16J-47K	1	417344734T	
PCB1	R6176	CARBON R	R16J-47K	1	417344734T	
PCB1	R6180	CARBON R	R16J-47K	1	417344734T	
PCB1	R6181	CARBON R	R16J-47K	1	417344734T	
PCB1	R6182	CARBON R	R16J-47K	1	417344734T	
PCB1	R6183	CARBON R	R16J-47K	1	417344734T	
PCB1	R6184	CARBON R	R16J-47K	1	417344734T	
PCB1	R6185	CARBON R	R16J-47K	1	417344734T	
PCB1	R6186	CARBON R	R16J-47K	1	417344734T	
PCB1	R6190	C-CARBON R	RN72K1J-224JE	1	435032244R1	
PCB1	R6191	C-CARBON R	RN72K1J-224JE	1	435032244R1	
PCB1	R6192	C-CARBON R	RN72K1J-224JE	1	435032244R1	
PCB1	R6193	C-CARBON R	RN72K1J-224JE	1	435032244R1	
PCB1	R6194	C-CARBON R	RN72K1J-224JE	1	435032244R1	
PCB1	R6195	C-CARBON R	RN72K1J-224JE	1	435032244R1	
PCB1	R6196	C-CARBON R	RN72K1J-224JE	1	435032244R1	
PCB1	R6197	METAL R	RNU1WCJ-8.2	1	453630824T	
PCB1	R6701	C-CARBON R	RN72K1J-223JE	1	435032234R1	
PCB1	R6702	C-CARBON R	RN72K1J-103JE	1	435031034R1	
PCB1	R6704	C-CARBON R	RN72K1J-473JE	1	435034734R1	
PCB1	R6706	C-CARBON R	RN72K1J-224JE	1	435032244R1	
PCB1	R6708	C-CARBON R	RN72K1J-333JE	1	435033334R1	
PCB1	R6709	C-CARBON R	RN72K1J-562JE	1	435035624R1	
PCB1	R6710	C-CARBON R	RN72K1J-333JE	1	435033334R1	
PCB1	R6902	C-CARBON R	RN72K1J-102JE	1	435031024R1	
PCB1	R6903	C-CARBON R	RN72K1J-473JE	1	435034734R1	
PCB1	RL6901	RELAY	NRL-1P10A-DC12-140	1	25065584	!
PCB1	RL6901 or	RELAY	NRL-1P10A-DC12-143	(1)	25065588	!
PCB1	RL6902	RELAY	NRL-1P10A-DC12-140	1	25065584	!

PCB1	RL6902 or	RELAY	NRL-1P10A-DC12-143	(1)	25065588	!
PCB1	P302	PLUG	NPLG-14P0969	1	25056019	
PCB1	P303	PLUG	NPLG-14P0969	1	25056019	
PCB1	P304	PLUG	NPLG-3P0958	1	25056008	
PCB1	P5505	TRM(SCREW)	NEJITANSI M3	1	25065425	
PCB1	P6002	TRM	NTM-4PDML365	1	25060436	
PCB1	P6080	PLUG	NPLG-2P29	1	25055038	
PCB1	P6081	PLUG	NPLG-2P29	1	25055038	
PCB1	P6082	PLUG	NPLG-2P29	1	25055038	
PCB1	P6083	PLUG	NPLG-2P29	1	25055038	
PCB1	P6084	PLUG	NPLG-2P29	1	25055038	
PCB1	P6085	PLUG	NPLG-2P29	1	25055038	
PCB1	P6086	PLUG	NPLG-2P29	1	25055038	
PCB1	P6900	CRIMP AS	CRIMP AS	1	20799162UL	
PCB1	P6901	CRIMP AS	CRIMP AS	1	2069925226UL	
PCB1	P6902	CRIMP AS	CRIMP AS	1	2069925189UL	
PCB1	P6903	CRIMP AS	CRIMP AS	1	20799163UL	
PCB1	P6904	CRIMP AS	CRIMP AS	1	20799164UL	
PCB1	P6911	RETAINER	(BUS)	1	27142022	
PCB1	P7900	ST JACK	LGY2502-0200FC	1	25045696	
PCB1	P7902	PIN JACK	NPJ-6PDWWRRR561	1	25045779	
PCB1	P7902 or	PIN JACK	NPJ-6PDBL159	(1)	25045300	
PCB1	P7904	PIN JACK	NPJ-6PDWWRRR561	1	25045779	
PCB1	P7904 or	PIN JACK	NPJ-6PDBL159	(1)	25045300	
PCB1	P7905	PIN JACK	NPJ-4PDWLRE642	1	25045866	
PCB1	P7906	PIN JACK	NPJ-4PDGNPT643	1	25045867	
PCB1	P7908	PIN JACK	NPJ-1PDP555	1	25045773	
PCB1	F6901A	FUSE HOL	NSCT-1P2031	1	25052133T	
PCB1	F6901B	FUSE HOL	NSCT-1P2031	1	25052133T	
PCB1	F6902A	FUSE HOL	NSCT-1P2031	1	25052133T	
PCB1	F6902B	FUSE HOL	NSCT-1P2031	1	25052133T	
PCB1	J5500	PVC	1007#24 .2/7HAND B	1	---	NSP
PCB1	J5500 or	PVC	1007#24 .2/7HAND R	(1)	---	NSP
PCB1	JL5502	JUMPER LEAD	JL7 300 B	1	---	<MDD>, NSP
PCB1	JL5502	JUMPER LEAD	JL7 300 B	1	---	<MDC>, NSP
PCB1	JL5502A	WIRE HOL	NSCT-7P878	1	25051091	<MDD>
PCB1	JL5502A	WIRE HOL	NSCT-7P878	1	25051091	<MDC>
PCB1	JL6402	JUMPER LEAD	JL3 300 B	1	---	NSP
PCB1	JL6402A	WIRE HOL	NSCT-3P874	1	25051087	
PCB1	JL6600	JUMPER LEAD	JL7 200 H	1	---	NSP
PCB1	JL6600A	WIRE HOL	NSCT-7P898	1	25051111	
PCB1	JL6603	JUMPER LEAD	JL9 200 H	1	---	NSP
PCB1	JL6603A	WIRE HOL	NSCT-9P900	1	25051113	
PCB1	JL6604	JUMPER LEAD	JL4 200 H	1	---	NSP
PCB1	JL6604A	WIRE HOL	NSCT-4P895	1	25051108	
PCB1	JL6952	JUMPER LEAD	JL4 150 H	1	---	NSP
PCB1	JL6952A	WIRE HOL	NSCT-4P895	1	25051108	
PCB1	JL6952B	WIRE HOL	NSCT-4P895	1	25051108	
PCB1	A045a	SPACER	SPACER 8 x 3 x 0.188	2	27270147	
PCB2	U05	DISPLAY PC BOARD (NADIS-9148-1A / 1G)				

PCB2	U06	SWITCH PC BOARD (NADIS-9149-1A / 1G)
PCB2	U07	POWER SUPPLY PC BOARD (NAPS-9150-1A / 1G)
PCB2	U08	TRANS. SEC. TERMINAL PC BOARD (NAPS-9151-1A / 1G)
PCB2	U09	HEADPHONE JACK PC BOARD (NAETC-9153-1A / 1G)

PCB2	CIRCUIT NO.	PART NAME	DESCRIPTION	Q'TY	PART NO. (SN)	REMARKS
PCB2	U7041	REMO SENS	NJL34H380A	1	241365	
PCB2	Q7001	FL TUBE	16-BT-138GNK	1	212268	
PCB2	Q7001A	HOLDER	(FL)	1	27191222C	
PCB2	Q7003	IC	M66005-0001AHP	1	22242208R3	
PCB2	Q7004	TR	2SC2458-GR	1	2212115T	
PCB2	Q7004 or	TR	2SC1740S-R	(1)	2213284T	
PCB2	Q7004 or	TR	2SC1740S-S	(1)	2213285T	
PCB2	Q7005	TR	KRA102M	1	2215770T	
PCB2	Q7005 or	TR	DTA114ES	(1)	2213510T	
PCB2	Q7007	TR	KRC102M	1	2215960T	
PCB2	Q7007 or	TR	DTC114ES	(1)	2213290T	
PCB2	Q7151	TR	KRA102M	1	2215770T	<MPA>
PCB2	Q7151 or	TR	DTA114ES	(1)	2213510T	<MPA>
PCB2	Q7401	IC	NJM4580D-D	1	22241112	
PCB2	Q7403	TR	KRC111M	1	2216320T	
PCB2	Q7403 or	TR	DTC114TS	(1)	221299T	
PCB2	Q7404	TR	KRC111M	1	2216320T	
PCB2	Q7404 or	TR	DTC114TS	(1)	221299T	
PCB2	D7002	ZENER D	MTZJ8.2C	1	224470823T	
PCB2	D7151	LED	SLI-343URC-TE7	1	225449T	
PCB2	D7153	LED	SDPB3DD0C	1	225464	<MPA>
PCB2	D7401	ZENER D	MTZJ5.1B	1	224470512T	
PCB2	D7411	ZENER D	MTZJ6.8C	1	224470683T	
PCB2	D7411 or	ZENER D	DZ-6.8BSC	(1)	224850683T	
PCB2	D7412	ZENER D	MTZJ6.8C	1	224470683T	
PCB2	D7412 or	ZENER D	DZ-6.8BSC	(1)	224850683T	
PCB2	D911	DIODE	1SS133	1	223163T	
PCB2	D912	DIODE	1SS133	1	223163T	
PCB2	D921	DIODE	1SS133	1	223163T	
PCB2	D922	DIODE	1SS133	1	223163T	
PCB2	D923	DIODE	1SS133	1	223163T	
PCB2	D924	DIODE	1SS133	1	223163T	
PCB2	D925	DIODE	1SS133	1	223163T	
PCB2	D930	DIODE	1SS133	1	223163T	
PCB2	D931	DIODE	1SS133	1	223163T	
PCB2	D933	DIODE	1SS133	1	223163T	
PCB2	D934	ZENER D	MTZJ5.1B	1	224470512T	
PCB2	D935	DIODE	1SS133	1	223163T	
PCB2	T902	P TRANS	NPT-1520JQ	1	2301812	!
PCB2	L7031	CHOKE COIL	NCH-1561 022K	1	233526K022T	
PCB2	L7201	CHOKE COIL	NCH-1561 022K	1	233526K022T	
PCB2	L7202	CHOKE COIL	NCH-1561 022K	1	233526K022T	
PCB2	L7203	CHOKE COIL	NCH-1561 022K	1	233526K022T	
PCB2	L7401	CHOKE COIL	NCH-1561 022K	1	233526K022T	
PCB2	L7402	CHOKE COIL	NCH-1561 022K	1	233526K022T	

PCB2	C7001	CERA C	CK45F50V-223Z	1	335622230T	
PCB2	C7002	MMT C	MMT50V-104J	1	375521044T	
PCB2	C7003	CERA C	CC45SL50V-101J	1	345021014T	
PCB2	C7004	CERA C	CC45SL50V-101J	1	345021014T	
PCB2	C7005	CERA C	CC45SL50V-101J	1	345021014T	
PCB2	C7007	CERA C	CC45SL50V-101J	1	345021014T	
PCB2	C7008	UTSP C	CE04W10V-100M(UTSP)	1	397531017T	
PCB2	C7009	MMT C	MMT50V-104J	1	375521044T	
PCB2	C7010	CERA C	CK45F50V-223Z	1	335622230T	
PCB2	C7011	CERA C	CK45F50V-223Z	1	335622230T	
PCB2	C7012	CERA C	CK45F50V-223Z	1	335622230T	
PCB2	C7013	VR C	CE04W50V-33M(VR)	1	394683307T	
PCB2	C7014	CERA C	CK45F50V-223Z	1	335622230T	
PCB2	C7015	ELECT C	CE04W16V-47M(S)	1	353744709T	
PCB2	C7016	CERA C	CK45F50V-223Z	1	335622230T	
PCB2	C7017	CERA C	CK45F50V-223Z	1	335622230T	
PCB2	C7021	CERA C	CK45F50V-103Z	1	335621030T	
PCB2	C7022	CERA C	CK45F50V-103Z	1	335621030T	
PCB2	C7031	CERA C	CK45F50V-223Z	1	335622230T	
PCB2	C7032	CERA C	CK45F50V-223Z	1	335622230T	
PCB2	C7041	ELECT C	CE04W6.3V-100M(S)	1	353721019T	
PCB2	C7043	CERA C	CK45B50V-102K	1	335321025T	
PCB2	C7201	TF C	ECQ-B50V-472J	1	374724724T	
PCB2	C7202	TF C	ECQ-B50V-223J	1	374722234T	
PCB2	C7203	TF C	ECQ-B50V-102J	1	374721024T	
PCB2	C7204	TF C	ECQ-B50V-102J	1	374721024T	
PCB2	C7301	TF C	ECQ-B50V-471J	1	374724714T	
PCB2	C7302	TF C	ECQ-B50V-102J	1	374721024T	
PCB2	C7303	MMT C	MMT50V-104J	1	375521044T	
PCB2	C7304	MMT C	MMT50V-104J	1	375521044T	
PCB2	C7305	MMT C	MMT50V-104J	1	375521044T	
PCB2	C7401	UTSP C	CE04W50V-10M(UTSP)	1	397581007T	
PCB2	C7402	CERA C	CC45SL50V-101J	1	345021014T	
PCB2	C7403	UTSP C	CE04W50V 47M(UTSP)	1	397584707T	
PCB2	C7404	CERA C	CC45SL50V-330J	1	345023304T	
PCB2	C7405	ELECT C	CE04W16V-10M(S)	1	353741009T	
PCB2	C7411	UTSP C	CE04W50V 47M(UTSP)	1	397584707T	
PCB2	C7412	UTSP C	CE04W50V 47M(UTSP)	1	397584707T	
PCB2	C7421	CERA C	CC45SL50V-102J	1	345021024T	
PCB2	C901	IS C	ECQU2A103MLC	1	3800039S	!
PCB2	C901 or	IS C	RE275V-103M	(1)	3500196S	!
PCB2	C901 or	IS C	LE103-C3.5	(1)	3800042S	!
PCB2	C902	TF C	ECQ-V50V-104J	1	374721044T	
PCB2	C9101	MMT C	MMT50V-104J	1	375521044T	
PCB2	C911	TF C	ECQ-B50V-102J	1	374721024T	
PCB2	C921	CERA C	CK45F50V-223Z	1	335622230T	
PCB2	C922	VR C	CE04W25V-2200M(VR)	1	394652227S	
PCB2	C930	UTSP C	CE04W50V-100M(UTSP)	1	397581017T	
PCB2	C933	UTSP C	CE04W50V-4.7M(UTSP)	1	397580477T	
PCB2	R7001	CARBON R	R16J-100K	1	417341044T	
PCB2	R7002	CARBON R	R16J-3.3K	1	417343324T	

PCB2	R7003	CARBON R	R16J-3.3K	1	417343324T	
PCB2	R7004	CARBON R	R16J-220	1	417342214T	
PCB2	R7005	CARBON R	R16J-220	1	417342214T	
PCB2	R7006	CARBON R	R16J-27K	1	417342734T	
PCB2	R7007	CARBON R	R16J-220	1	417342214T	
PCB2	R7008	CARBON R	R16J-220	1	417342214T	
PCB2	R7021	CARBON R	R16J-10K	1	417341034T	
PCB2	R7022	CARBON R	R16J-10K	1	417341034T	
PCB2	R7023	CARBON R	R16J-10K	1	417341034T	
PCB2	R7024	CARBON R	R16J-10K	1	417341034T	
PCB2	R7041	CARBON R	R16J-100	1	417341014T	
PCB2	R7042	CARBON R	R16J-1K	1	417341024T	
PCB2	R7101	CARBON R	R16J-330	1	417343314T	
PCB2	R7102	CARBON R	R16J-470	1	417344714T	
PCB2	R7103	CARBON R	R16J-560	1	417345614T	
PCB2	R7104	CARBON R	R16J-820	1	417348214T	
PCB2	R7105	CARBON R	R16J-1.2K	1	417341224T	
PCB2	R7107	CARBON R	R16J-330	1	417343314T	
PCB2	R7108	CARBON R	R16J-470	1	417344714T	
PCB2	R7109	CARBON R	R16J-560	1	417345614T	
PCB2	R7110	CARBON R	R16J-820	1	417348214T	
PCB2	R7111	CARBON R	R16J-1.2K	1	417341224T	
PCB2	R7112	CARBON R	R16J-2.2K	1	417342224T	
PCB2	R7113	CARBON R	R16J-3.9K	1	417343924T	
PCB2	R7114	CARBON R	R16J-12K	1	417341234T	
PCB2	R7115	CARBON R	R16J-330	1	417343314T	
PCB2	R7116	CARBON R	R16J-470	1	417344714T	
PCB2	R7117	CARBON R	R16J-560	1	417345614T	
PCB2	R7118	CARBON R	R16J-820	1	417348214T	
PCB2	R7119	CARBON R	R16J-1.2K	1	417341224T	
PCB2	R7120	CARBON R	R16J-2.2K	1	417342224T	
PCB2	R7121	CARBON R	R16J-3.9K	1	417343924T	
PCB2	R7122	CARBON R	R16J-12K	1	417341234T	
PCB2	R7123	CARBON R	R16J-330	1	417343314T	
PCB2	R7124	CARBON R	R16J-470	1	417344714T	
PCB2	R7125	CARBON R	R16J-560	1	417345614T	
PCB2	R7126	CARBON R	R16J-820	1	417348214T	
PCB2	R7127	CARBON R	R16J-1.2K	1	417341224T	
PCB2	R7128	CARBON R	R16J-2.2K	1	417342224T	
PCB2	R7129	CARBON R	R16J-3.9K	1	417343924T	
PCB2	R7130	CARBON R	R16J-12K	1	417341234T	
PCB2	R7151	CARBON R	R16J-2.2K	1	417342224T	
PCB2	R7152	CARBON R	R16J-120	1	417341214T	<MPA>
PCB2	R7301	CARBON R	R16J-330	1	417343314T	
PCB2	R7302	CARBON R	R16J-330	1	417343314T	
PCB2	R7303	CARBON R	R16J-75	1	417347504T	
PCB2	R7401	CARBON R	R16J-100	1	417341014T	
PCB2	R7402	CARBON R	R16J-47K	1	417344734T	
PCB2	R7403	CARBON R	R16J-4.7K	1	417344724T	
PCB2	R7404	CARBON R	R16J-220	1	417342214T	
PCB2	R7405	CARBON R	R16J-47K	1	417344734T	

PCB2	R7406	CARBON R	R16J-330	1	417343314T	
PCB2	R7407	CARBON R	R16J-1K	1	417341024T	
PCB2	R7408	CARBON R	R16J-33K	1	417343334T	
PCB2	R7409	CARBON R	R16J-220	1	417342214T	
PCB2	R7410	CARBON R	R16J-220	1	417342214T	
PCB2	R7411	CARBON R	R16J-470	1	417344714T	
PCB2	R7412	CARBON R	R16J-470	1	417344714T	
PCB2	R7413	CARBON R	R16J-220K	1	417342244T	
PCB2	R7414	CARBON R	R16J-100K	1	417341044T	
PCB2	R9101	METAL R	RNU1/2WCJ-0.1	1	453531094T	<MDD, MDC>
PCB2	R9101	METAL R	RNU1/2WCJ-0.22	1	453532294T	<MPA>
PCB2	R9102	METAL R	RNU1/2WCJ-8.2	1	453530824T	
PCB2	R921	METAL O R	RS1/2WBJ-56	1	443525604T	
PCB2	R934	CARBON R	R16J-100K	1	417341044T	
PCB2	RL901	RELAY	NRL-1P5A-DC9-179	1	25065669	!
PCB2	S7001	R ENCODE	EC12E2425WITH WASHEI	1	25065655W	
PCB2	S7101	PUSH SW	NPS-111-S681	1	25035718T	
PCB2	S7104	PUSH SW	NPS-111-S681	1	25035718T	
PCB2	S7106	PUSH SW	NPS-111-S681	1	25035718T	
PCB2	S7107	PUSH SW	NPS-111-S681	1	25035718T	
PCB2	S7109	PUSH SW	NPS-111-S681	1	25035718T	<MPA>
PCB2	S7115	PUSH SW	NPS-111-S681	1	25035718T	
PCB2	S7117	PUSH SW	NPS-111-S681	1	25035718T	
PCB2	S7119	PUSH SW	NPS-111-S681	1	25035718T	
PCB2	S7123	PUSH SW	NPS-111-S681	1	25035718T	
PCB2	S7125	PUSH SW	NPS-111-S681	1	25035718T	
PCB2	S7127	PUSH SW	NPS-111-S681	1	25035718T	
PCB2	S7129	PUSH SW	NPS-111-S681	1	25035718T	
PCB2	S7132	PUSH SW	NPS-111-S681	1	25035718T	
PCB2	S7134	PUSH SW	NPS-111-S681	1	25035718T	
PCB2	S7136	PUSH SW	NPS-111-S681	1	25035718T	
PCB2	S7138	PUSH SW	NPS-111-S681	1	25035718T	
PCB2	S7140	PUSH SW	NPS-111-S681	1	25035718T	
PCB2	S7142	PUSH SW	NPS-111-S681	1	25035718T	
PCB2	S7144	PUSH SW	NPS-111-S681	1	25035718T	
PCB2	S7146	PUSH SW	NPS-111-S681	1	25035718T	
PCB2	S7148	PUSH SW	NPS-111-S681	1	25035718T	
PCB2	S7149	PUSH SW	NPS-111-S681	1	25035718T	
PCB2	S7151	PUSH SW	NPS-111-S681	1	25035718T	
PCB2	S7153	PUSH SW	NPS-111-S681	1	25035718T	
PCB2	S7155	PUSH SW	NPS-111-S681	1	25035718T	
PCB2	S7157	PUSH SW	NPS-111-S681	1	25035718T	
PCB2	S7159	PUSH SW	NPS-111-S681	1	25035718T	
PCB2	S7161	PUSH SW	NPS-111-S681	1	25035718T	
PCB2	S7164	PUSH SW	NPS-111-S681	1	25035718T	
PCB2	S7166	PUSH SW	NPS-111-S681	1	25035718T	
PCB2	P701B	SOCKET	NSCT-32P2162	1	25052265	
PCB2	P7201	ST JACK	MSJ-064-05A SR	1	25045783	
PCB2	P7201 or	ST JACK	YKB21-5005	(1)	25045724	
PCB2	P7301	PIN JACK	NPJ-7PDB477	1	25045680	
PCB2	P7401	ST JACK	MSJ-035-05C B AG SR typ	1	25045879	

PCB2	P901A	PLUG	NPLG-2P631	1	25055675	!
PCB2	P901A or	PLUG	1-1123724-2	(1)	25056402	!
PCB2	P911	PLUG	NPLG-2P631	1	25055675	!
PCB2	P911 or	PLUG	1-1123724-2	(1)	25056402	!
PCB2	E7201	TRM(SCREW)	NEJITANSI M3	1	25065425	
PCB2	E7301	RETAINER	(S)	1	27142074	
PCB2	E901	TRM(SCREW)	NEJITANSI M3	1	25065425	
PCB2	E902	TRM(SCREW)	NEJITANSI M3	1	25065425	
PCB2	F901C	FUSE HOL	NSCT-1P2031	1	25052133T	!
PCB2	F901D	FUSE HOL	NSCT-1P2031	1	25052133T	!
PCB2	JL6605	JUMPER LEAD	JL5 400 H	1	---	NSP
PCB2	JL6605A	WIRE HOL	NSCT-5P896	1	25051109	
PCB2	JL7101	JUMPER LEAD	JL9 200 H	1	---	NSP
PCB2	JL7101A	WIRE HOL	NSCT-9P900	1	25051113	
PCB2	JL7101B	WIRE HOL	NSCT-9P900	1	25051113	
PCB2	JL901	JUMPER LEAD	JL5 150 B	1	---	NSP
PCB2	JL901A	WIRE HOL	NSCT-5P876	1	25051089	
PCB2	JL9101	JUMPER LEAD	JL6 300 H	1	---	NSP
PCB2	JL9101A	WIRE HOL	NSCT-6P897	1	25051110	
PCB3	U11	DSP PC BOARD (NADG-9183-1A / 1B)				
PCB3	U12	VIDEO & SPEAKER TERMINAL PC BOARD (NAVD-9184-1A / 1B)				
PCB3	U13	XM DIGITAL TRANSCEIVER PC BOARD (NADG-9185-1A)				
PCB3	<Note>					
PCB3	U13 : <MDD>, <MDC> Only.					
PCB3	CIRCUIT NO.	PART NAME	DESCRIPTION	Q'TY	PART NO. (SN)	REMARKS
PCB3	U131	PHT CP	GP1FAV51RKF5	1	24120129	
PCB3	U131 or	PHT CP	JSR1165-001recieving	(1)	24120143	
PCB3	U132	PHT CP	GP1FAV51RKF5	1	24120129	
PCB3	U132 or	PHT CP	JSR1165-001recieving	(1)	24120143	
PCB3	Q131	IC	74HCU04F	1	222740046R2	
PCB3	Q151	IC	TC74VHC541FT	1	22274541ER2TO	
PCB3	Q151 or	IC	TC74VHC541FT(EKJ)	(1)	22274541E1R2TO	
PCB3	Q152	IC	TC74HCT7007AF(EL_F)	1	222740077R2TO	
PCB3	Q171	IC	TC7WU04FU(Te12L_F)	1	22240935R2	
PCB3	Q2001	IC	F2628E-01	1	22242436R2	<MDD, MDC>
PCB3	Q2002	IC	CS4344-CZZR	1	22242406R2	<MDD, MDC>
PCB3	Q2003	IC	NE5532APSR	1	22242283R2	<MDD, MDC>
PCB3	Q2004	IC	TA48033AF(Te16L_NQ)	1	22278033DR2TO	<MDD, MDC>
PCB3	Q2004 or	IC	BA33BC0FP	(1)	22278033DR2RH	<MDD, MDC>
PCB3	Q2004 or	IC	NJM2391DL1-33	(1)	22278033DR2JR	<MDD, MDC>
PCB3	Q2005	IC	TA48033AF(Te16L_NQ)	1	22278033DR2TO	<MDD, MDC>
PCB3	Q2005 or	IC	BA33BC0FP	(1)	22278033DR2RH	<MDD, MDC>
PCB3	Q2005 or	IC	NJM2391DL1-33	(1)	22278033DR2JR	<MDD, MDC>
PCB3	Q2006	IC	TC74HCT7007AF(EL_F)	1	222740077R2TO	<MDD, MDC>
PCB3	Q2007	IC	TC74VHC541FT	1	22274541ER2TO	<MDD, MDC>
PCB3	Q2007 or	IC	TC74VHC541FT(EKJ)	(1)	22274541E1R2TO	<MDD, MDC>
PCB3	Q2008	IC	4053BFT(TC4053BFT)	1	222840533R2TO	<MDD, MDC>
PCB3	Q201	IC	D707E001BRFP250	1	22242401R3	
PCB3	Q201 or	IC	D707E001RFP250	(1)	22242309R3	
PCB3	Q281	IC	M12L16161A-7TG	1	22242278R3	

PCB3	Q281 or	IC	IC42S16100	(1)	22242123R2
PCB3	Q281 or	IC	RMS116T(LF)	(1)	22242340R3
PCB3	Q282	IC	ES29LV400	1	222W0045R3
PCB3	Q282 or	IC	ES29LV400ET-70TG	(1)	222W0065R3
PCB3	Q282 or	IC	S29AL004D70TFI010	(1)	222W0061R3
PCB3	Q301	IC	CS42518-CQZR-D	1	22242229R2
PCB3	Q341	IC	NJM4580M-D	1	22241448R2
PCB3	Q4001	IC	ADV7183B	1	22242202R3
PCB3	Q4002	IC	AN15881A-VT	1	22242318R3
PCB3	Q4003	IC	ADV7172	1	22242155R3
PCB3	Q4006	IC	TA48018AF(TE16L_NQ)	1	22278018DR2TO
PCB3	Q4006 or	IC	BA18BC0FP	(1)	22278018DR2RH
PCB3	Q4007	IC	TA48033AF(TE16L_NQ)	1	22278033DR2TO
PCB3	Q4007 or	IC	BA33BC0FP	(1)	22278033DR2RH
PCB3	Q4008	TR	2SK3019	1	2216520R2
PCB3	Q4009	TR	2SK3019	1	2216520R2
PCB3	Q401	IC	NJM4580M-D	1	22241448R2
PCB3	Q4010	TR	RN1401(TE85L_F)	1	2214460R2
PCB3	Q4011	TR	UNR2111	1	2217110R2
PCB3	Q4011 or	TR	KRA102S	(1)	2216220R2
PCB3	Q4011 or	TR	RN2402	(1)	2214530R2
PCB3	Q4012	TR	KTA1504-GR	1	2216185R2
PCB3	Q4012 or	TR	2SA1162-GR	(1)	2214375R2
PCB3	Q4018	TR	RN1401(TE85L_F)	1	2214460R2
PCB3	Q402	IC	NJM4580M-D	1	22241448R2
PCB3	Q403	IC	NJM4580M-D	1	22241448R2
PCB3	Q404	IC	NJM4580M-D	1	22241448R2
PCB3	Q601	TR	RN1404	1	2214490R2
PCB3	Q601 or	TR	KRC104S	(1)	2216210R2
PCB3	Q602	TR	RN2402	1	2214530R2
PCB3	Q602 or	TR	KRA102S	(1)	2216220R2
PCB3	Q610	IC	S-24CS16A0I-J8V1G	1	22242326R2
PCB3	Q6601	TR	DTC123JKA	1	2216690R2
PCB3	Q6601 or	TR	RN1405	(1)	2214500R2
PCB3	Q6601 or	TR	KRC105S	(1)	2217290R2
PCB3	Q6602	TR	DTC123JKA	1	2216690R2
PCB3	Q6602 or	TR	RN1405	(1)	2214500R2
PCB3	Q6602 or	TR	KRC105S	(1)	2217290R2
PCB3	Q6603	TR	DTC123JKA	1	2216690R2
PCB3	Q6603 or	TR	RN1405	(1)	2214500R2
PCB3	Q6603 or	TR	KRC105S	(1)	2217290R2
PCB3	Q6604	TR	DTC123JKA	1	2216690R2
PCB3	Q6604 or	TR	RN1405	(1)	2214500R2
PCB3	Q6604 or	TR	KRC105S	(1)	2217290R2
PCB3	Q701	IC(MICROPROCESSOR)	M30626FHFPF	1	222W0032R3
PCB3	Q702	IC	S-812C56AUA-C3K	1	22242207R2
PCB3	Q741	IC	SI8008TM	1	22242323R2
PCB3	Q742	IC	BD7820	1	22242300R2
PCB3	Q746	IC	TA48033AF(TE16L_NQ)	1	22278033DR2TO
PCB3	Q746 or	IC	BA33BC0FP	(1)	22278033DR2RH
PCB3	Q751	TR	RN1404	1	2214490R2

PCB3	Q751 or	TR	KRC104S	(1)	2216210R2	
PCB3	Q752	TR	RN2402	1	2214530R2	
PCB3	Q752 or	TR	KRA102S	(1)	2216220R2	
PCB3	Q9001	TR	2SC2235-Y(TPE6_F)	1	2211654T	
PCB3	Q9002	TR	DTC123JKA	1	2216690R2	
PCB3	Q9002 or	TR	RN1405	(1)	2214500R2	
PCB3	Q9002 or	TR	KRC105S	(1)	2217290R2	
PCB3	Q9021	IC	SI8008TM	1	22242323R2	
PCB3	Q9022	IC	BA00JC5WT-V5	1	222580002	
PCB3	Q9022A	SCREW	3P+10FN(3BC)	1	82143010GR	
PCB3	Q9031	IC	MPC2905BHF	1	22278005DBNE	
PCB3	Q9031A	SCREW	3P+10FN(3BC)	1	82143010GR	
PCB3	Q9031B	HEAT SINK	RAD-231	1	27160592	
PCB3	A171	TAPE	TAPE(CLOTH-16U)	1	29110083	
PCB3	D103	C-DIODE	ISS355	1	223269R2	
PCB3	D103 or	C-DIODE	ISS352	(1)	223234R2	
PCB3	D103 or	C-DIODE	KDS4148U	(1)	223283R2	
PCB3	D103 or	C-DIODE	MA2J111	(1)	223279R2	
PCB3	D104	C-DIODE	ISS355	1	223269R2	
PCB3	D104 or	C-DIODE	ISS352	(1)	223234R2	
PCB3	D104 or	C-DIODE	KDS4148U	(1)	223283R2	
PCB3	D104 or	C-DIODE	MA2J111	(1)	223279R2	
PCB3	D2001	ZENER D	UDZS5.1B	1	224550510R2	<MDD, MDC>
PCB3	D2001 or	ZENER D	MAZ8051-M	(1)	224750512R2	<MDD, MDC>
PCB3	D4001	C-DIODE	ISS352	1	223234R2	
PCB3	D4001 or	C-DIODE	ISS355	(1)	223269R2	
PCB3	D4001 or	C-DIODE	KDS4148U	(1)	223283R2	
PCB3	D4001 or	C-DIODE	MA2J111	(1)	223279R2	
PCB3	D4002	C-DIODE	ISS352	1	223234R2	
PCB3	D4002 or	C-DIODE	ISS355	(1)	223269R2	
PCB3	D4002 or	C-DIODE	KDS4148U	(1)	223283R2	
PCB3	D4002 or	C-DIODE	MA2J111	(1)	223279R2	
PCB3	D404	ZENER D	UDZS5.1B	1	224550510R2	
PCB3	D601	C-DIODE	ISS355	1	223269R2	
PCB3	D601 or	C-DIODE	ISS352	(1)	223234R2	
PCB3	D601 or	C-DIODE	KDS4148U	(1)	223283R2	
PCB3	D601 or	C-DIODE	MA2J111	(1)	223279R2	
PCB3	D604	C-DIODE	ISS355	1	223269R2	
PCB3	D604 or	C-DIODE	ISS352	(1)	223234R2	
PCB3	D604 or	C-DIODE	KDS4148U	(1)	223283R2	
PCB3	D604 or	C-DIODE	MA2J111	(1)	223279R2	
PCB3	D6600	C-DIODE	ISS352	1	223234R2	
PCB3	D6600 or	C-DIODE	ISS355	(1)	223269R2	
PCB3	D6600 or	C-DIODE	KDS4148U	(1)	223283R2	
PCB3	D6600 or	C-DIODE	MA2J111	(1)	223279R2	
PCB3	D6603	C-DIODE	ISS352	1	223234R2	
PCB3	D6603 or	C-DIODE	ISS355	(1)	223269R2	
PCB3	D6603 or	C-DIODE	KDS4148U	(1)	223283R2	
PCB3	D6603 or	C-DIODE	MA2J111	(1)	223279R2	
PCB3	D6605	C-DIODE	ISS352	1	223234R2	
PCB3	D6605 or	C-DIODE	ISS355	(1)	223269R2	

PCB3	D6605 or	C-DIODE	KDS4148U	(1)	223283R2
PCB3	D6605 or	C-DIODE	MA2J111	(1)	223279R2
PCB3	D6607	C-DIODE	ISS352	1	223234R2
PCB3	D6607 or	C-DIODE	ISS355	(1)	223269R2
PCB3	D6607 or	C-DIODE	KDS4148U	(1)	223283R2
PCB3	D6607 or	C-DIODE	MA2J111	(1)	223279R2
PCB3	D701	C-DIODE	ISS355	1	223269R2
PCB3	D701 or	C-DIODE	ISS352	(1)	223234R2
PCB3	D701 or	C-DIODE	KDS4148U	(1)	223283R2
PCB3	D701 or	C-DIODE	MA2J111	(1)	223279R2
PCB3	D702	C-DIODE	ISS355	1	223269R2
PCB3	D702 or	C-DIODE	ISS352	(1)	223234R2
PCB3	D702 or	C-DIODE	KDS4148U	(1)	223283R2
PCB3	D702 or	C-DIODE	MA2J111	(1)	223279R2
PCB3	D703	C-DIODE	ISS355	1	223269R2
PCB3	D703 or	C-DIODE	ISS352	(1)	223234R2
PCB3	D703 or	C-DIODE	KDS4148U	(1)	223283R2
PCB3	D703 or	C-DIODE	MA2J111	(1)	223279R2
PCB3	D705	C-DIODE	ISS355	1	223269R2
PCB3	D705 or	C-DIODE	ISS352	(1)	223234R2
PCB3	D705 or	C-DIODE	KDS4148U	(1)	223283R2
PCB3	D705 or	C-DIODE	MA2J111	(1)	223279R2
PCB3	D706	C-DIODE	ISS355	1	223269R2
PCB3	D706 or	C-DIODE	ISS352	(1)	223234R2
PCB3	D706 or	C-DIODE	KDS4148U	(1)	223283R2
PCB3	D706 or	C-DIODE	MA2J111	(1)	223279R2
PCB3	D741	C-DIODE	CRS09(TE85L_Q)	1	223274R2
PCB3	D742	C-DIODE	ISS355	1	223269R2
PCB3	D742 or	C-DIODE	ISS352	(1)	223234R2
PCB3	D742 or	C-DIODE	KDS4148U	(1)	223283R2
PCB3	D742 or	C-DIODE	MA2J111	(1)	223279R2
PCB3	D743	C-DIODE	ISS355	1	223269R2
PCB3	D743 or	C-DIODE	ISS352	(1)	223234R2
PCB3	D743 or	C-DIODE	KDS4148U	(1)	223283R2
PCB3	D743 or	C-DIODE	MA2J111	(1)	223279R2
PCB3	D744	DIODE	RL1N4003	1	22380260T
PCB3	D744 or	DIODE	GP104003E	(1)	22380035T
PCB3	D9002	DIODE	RL1N4003	1	22380260T
PCB3	D9002 or	DIODE	GP104003E	(1)	22380035T
PCB3	D9005	ZENER D	UDZS36B	1	224553600R2
PCB3	D9011	DIODE	D3SBA20	1	22380271F
PCB3	D9011 or	DIODE	RBV402	(1)	22380022F
PCB3	D9012	C-DIODE	ISS352	1	223234R2
PCB3	D9012 or	C-DIODE	ISS355	(1)	223269R2
PCB3	D9012 or	C-DIODE	KDS4148U	(1)	223283R2
PCB3	D9012 or	C-DIODE	MA2J111	(1)	223279R2
PCB3	D9013	C-DIODE	ISS352	1	223234R2
PCB3	D9013 or	C-DIODE	ISS355	(1)	223269R2
PCB3	D9013 or	C-DIODE	KDS4148U	(1)	223283R2
PCB3	D9013 or	C-DIODE	MA2J111	(1)	223279R2
PCB3	D9014	C-DIODE	ISS352	1	223234R2

PCB3	D9014 or	C-DIODE	ISS355	(1)	223269R2	
PCB3	D9014 or	C-DIODE	KDS4148U	(1)	223283R2	
PCB3	D9014 or	C-DIODE	MA2J111	(1)	223279R2	
PCB3	D9015	C-DIODE	ISS352	1	223234R2	
PCB3	D9015 or	C-DIODE	ISS355	(1)	223269R2	
PCB3	D9015 or	C-DIODE	KDS4148U	(1)	223283R2	
PCB3	D9015 or	C-DIODE	MA2J111	(1)	223279R2	
PCB3	D9017	C-DIODE	ISS352	1	223234R2	
PCB3	D9017 or	C-DIODE	ISS355	(1)	223269R2	
PCB3	D9017 or	C-DIODE	KDS4148U	(1)	223283R2	
PCB3	D9017 or	C-DIODE	MA2J111	(1)	223279R2	
PCB3	D9020	C-DIODE	ISS352	1	223234R2	
PCB3	D9020 or	C-DIODE	ISS355	(1)	223269R2	
PCB3	D9020 or	C-DIODE	KDS4148U	(1)	223283R2	
PCB3	D9020 or	C-DIODE	MA2J111	(1)	223279R2	
PCB3	D9021	C-DIODE	CRS09(TE85L_Q)	1	223274R2	
PCB3	D9022	DIODE	RL1N4003	1	22380260T	
PCB3	D9022 or	DIODE	GP104003E	(1)	22380035T	
PCB3	D9024	ZENER D	UDZ3.3B	1	224490330R2	
PCB3	X171	CRYSTAL	HC-49US24.576MHz	1	3010423T	
PCB3	X171 or	CRYSTAL	HC-49/U03-24.576M	(1)	3010314T	
PCB3	X2001	CRYSTAL	DSX840GA 45.1584MHz	1	3010420R2	<MDD, MDC>
PCB3	X4003	CRYSTAL	FCX-03-28.6363MHz	1	3010408R2	
PCB3	X701	CERA LOCK	CSTCR6M0055-R0	1	3010397R2	
PCB3	L131	CHOKE COIL	LBC2518T2R2M	1	231364M022R2	
PCB3	L132	CHOKE COIL	LBC2518T2R2M	1	231364M022R2	
PCB3	L133	CHOKE COIL	LBC2518T4R7M	1	231364M047R2	
PCB3	L134	CHOKE COIL	LBC2518T470M	1	231364M470R2	
PCB3	L151	CHOKE COIL	BLM21PG221SN1	1	230949R2	
PCB3	L152	CHOKE COIL	BLM21PG221SN1	1	230949R2	
PCB3	L171	CHOKE COIL	LBC2518T470M	1	231364M470R2	
PCB3	L172	EMIFIL	BK1608LM182-T	1	230958R1	
PCB3	L173	EMIFIL	BK1608LM182-T	1	230958R1	
PCB3	L2001	CHOKE COIL	LBC2518T2R2M	1	231364M022R2	<MDD, MDC>
PCB3	L2002	EMIFIL	BK1608LM182-T	1	230958R1	<MDD, MDC>
PCB3	L2003	CHOKE COIL	LBC2518T2R2M	1	231364M022R2	<MDD, MDC>
PCB3	L2004	CHOKE COIL	BLM21PG221SN1	1	230949R2	<MDD, MDC>
PCB3	L2005	CHOKE COIL	BLM21PG221SN1	1	230949R2	<MDD, MDC>
PCB3	L2006	CHOKE COIL	BLM21PG221SN1	1	230949R2	<MDD, MDC>
PCB3	L201	CHOKE COIL	BLM21PG221SN1	1	230949R2	
PCB3	L202	CHOKE COIL	BLM21PG221SN1	1	230949R2	
PCB3	L203	EMIFIL	BK1608LL241-T	1	230959R1	
PCB3	L241	EMIFIL	ACF451832-333-T	1	230978R2	
PCB3	L281	CHOKE COIL	BLM21PG221SN1	1	230949R2	
PCB3	L282	CHOKE COIL	BLM21PG221SN1	1	230949R2	
PCB3	L283	CHOKE COIL	BLM21PG221SN1	1	230949R2	
PCB3	L284	CHOKE COIL	BLM21PG221SN1	1	230949R2	
PCB3	L302	CHOKE COIL	LBC2518T4R7M	1	231364M047R2	
PCB3	L303	CHOKE COIL	LBC2518T4R7M	1	231364M047R2	
PCB3	L304	CHOKE COIL	LBC2518T4R7M	1	231364M047R2	
PCB3	L312	EMIFIL	BK1608LM182-T	1	230958R1	

PCB3	L313	EMIFIL	BK1608LM182-T	1	230958R1	
PCB3	L4001	C-CARBON R	RN72K2E-022JE	1	435220224R1	
PCB3	L4002	CHOKE COIL	LBC2518T220M	1	231364M220R2	
PCB3	L4003	CHOKE COIL	LBC2518T2R2M	1	231364M022R2	
PCB3	L4004	CHOKE COIL	LBC2518T2R2M	1	231364M022R2	
PCB3	L4005	CHOKE COIL	LBC2518T220M	1	231364M220R2	
PCB3	L4006	CHOKE COIL	LBC2518T2R2M	1	231364M022R2	
PCB3	L4010	C-CARBON R	RN72K2E-220JE	1	435222204R1	
PCB3	L4011	C-CARBON R	RN72K2E-022JE	1	435220224R1	
PCB3	L4015	CHOKE COIL	LBC2518T4R7M	1	231364M047R2	
PCB3	L6600	S COIL	S-1.3C	1	231176S	<MPA>
PCB3	L6601	S COIL	S-1.3C	1	231176S	<MPA>
PCB3	L6602	S COIL	S-1.3C	1	231176S	<MPA>
PCB3	L6603	S COIL	S-1.3C	1	231176S	<MPA>
PCB3	L6604	S COIL	S-1.3C	1	231176S	<MPA>
PCB3	L6605	S COIL	S-1.3C	1	231176S	<MPA>
PCB3	L6606	S COIL	S-1.3C	1	231176S	<MPA>
PCB3	L741	CHOKE COIL	NCH-2541	1	231363K470	
PCB3	L9001	CHOKE COIL	NCH-2541	1	231363K470	
PCB3	C102	C-CERA C	CK725F1E-104Z1	1	332161040R1	
PCB3	C103	UTSP C	CE04W25V-100M(UTSP)	1	397551017T	
PCB3	C104	C-CERA C	CK725F1E-104Z1	1	332161040R1	
PCB3	C106	C-CERA C	CK725F1E-104Z1	1	332161040R1	
PCB3	C107	C-CERA C	CK725F1E-104Z1	1	332161040R1	
PCB3	C108	C-CERA C	CK725F1E-104Z1	1	332161040R1	
PCB3	C131	C-CERA C	CC725CH1H-101J1	1	342101014R1	
PCB3	C132	C-CERA C	CC725CH1H-101J1	1	342101014R1	
PCB3	C133	C-CERA C	CK725B1C-104K1	1	332121045R1	
PCB3	C134	C-CERA C	CK725B1C-104K1	1	332121045R1	
PCB3	C135	C-CERA C	CC725CH1H-080D1	1	342100802R1	
PCB3	C136	C-CERA C	CC725CH1H-080D1	1	342100802R1	
PCB3	C139	VR C	CE04W6.3V-220M(VR)	1	394622217T	
PCB3	C140	C-CERA C	CK725F1E-104Z1	1	332161040R1	
PCB3	C141	C-CERA C	CK725F1E-104Z1	1	332161040R1	
PCB3	C142	C-CERA C	CK725F1E-104Z1	1	332161040R1	
PCB3	C145	VR C	CE04W6.3V-220M(VR)	1	394622217T	
PCB3	C146	C-CERA C	CK725B1H-103K1	1	332101035R1	
PCB3	C147	C-CERA C	CK725B1H-103K1	1	332101035R1	
PCB3	C151	C-CERA C	CK725F1E-104Z1	1	332161040R1	
PCB3	C152	C-CERA C	CK725F1E-104Z1	1	332161040R1	
PCB3	C171	C-CERA C	CK725F1E-104Z1	1	332161040R1	
PCB3	C172	C-CERA C	CC725CH1H-060D1	1	342100602R1	
PCB3	C173	C-CERA C	CC725CH1H-060D1	1	342100602R1	
PCB3	C2001	C-CERA C	CK725F1E-104Z1	1	332161040R1	<MDD, MDC>
PCB3	C2002	C-CERA C	CK725B1H-102K1	1	332101025R1	<MDD, MDC>
PCB3	C2003	C-CERA C	CK725F1E-104Z1	1	332161040R1	<MDD, MDC>
PCB3	C2004	C-CERA C	CK725F1E-104Z1	1	332161040R1	<MDD, MDC>
PCB3	C2005	C-CERA C	CK725F1E-104Z1	1	332161040R1	<MDD, MDC>
PCB3	C2006	C-CERA C	CK725F1E-104Z1	1	332161040R1	<MDD, MDC>
PCB3	C2007	UTSP C	CE04W10V-100M(UTSP)	1	397531017T	<MDD, MDC>
PCB3	C2008	C-CERA C	CC725CH1H-040C1	1	342100401R1	<MDD, MDC>

PCB3	C2009	C-CERA C	CC725CH1H-080D1	1	342100802R1	<MDD, MDC>
PCB3	C201	C-CERA C	CK725F1E-104Z1	1	332161040R1	
PCB3	C2010	C-CERA C	CK725F1E-104Z1	1	332161040R1	<MDD, MDC>
PCB3	C2011	C-CERA C	CK725F1E-104Z1	1	332161040R1	<MDD, MDC>
PCB3	C2012	C-CERA C	CK725F1E-104Z1	1	332161040R1	<MDD, MDC>
PCB3	C2013	C-CERA C	CK725F1E-104Z1	1	332161040R1	<MDD, MDC>
PCB3	C2015	C-CERA C	CK725F1E-104Z1	1	332161040R1	<MDD, MDC>
PCB3	C2016	UTSP C	CE04W50V-10M(UTSP)	1	397581007T	<MDD, MDC>
PCB3	C2017	C-CERA C	CK725F1E-104Z1	1	332161040R1	<MDD, MDC>
PCB3	C2018	UTSP C	CE04W10V-470M(UTSP)	1	397534717T	<MDD, MDC>
PCB3	C202	C-CERA C	CK725F1E-104Z1	1	332161040R1	
PCB3	C2021	UTSP C	CE04W50V-10M(UTSP)	1	397581007T	<MDD, MDC>
PCB3	C2022	UTSP C	CE04W50V-10M(UTSP)	1	397581007T	<MDD, MDC>
PCB3	C2023	C-CERA C	CC725CH1H-821J1	1	342108214R1	<MDD, MDC>
PCB3	C2024	C-CERA C	CC725CH1H-821J1	1	342108214R1	<MDD, MDC>
PCB3	C2025	C-CERA C	CC725CH1H-821J1	1	342108214R1	<MDD, MDC>
PCB3	C2026	C-CERA C	CC725CH1H-821J1	1	342108214R1	<MDD, MDC>
PCB3	C2027	UTSP C	CE04W50V-10M(UTSP)	1	397581007T	<MDD, MDC>
PCB3	C2028	UTSP C	CE04W50V-10M(UTSP)	1	397581007T	<MDD, MDC>
PCB3	C2029	VR C	CE04W16V-220M(VR)	1	394642217T	<MDD, MDC>
PCB3	C203	C-CERA C	CK725F1E-104Z1	1	332161040R1	
PCB3	C2030	VR C	CE04W16V-220M(VR)	1	394642217T	<MDD, MDC>
PCB3	C2031	C-CERA C	CK725F1E-104Z1	1	332161040R1	<MDD, MDC>
PCB3	C2032	C-CERA C	CK725F1E-104Z1	1	332161040R1	<MDD, MDC>
PCB3	C2033	UTSP C	CE04W10V-470M(UTSP)	1	397534717T	<MDD, MDC>
PCB3	C2034	UTSP C	CE04W10V-100M(UTSP)	1	397531017T	<MDD, MDC>
PCB3	C2035	C-CERA C	CK725F1E-104Z1	1	332161040R1	<MDD, MDC>
PCB3	C2036	C-CERA C	CK725F1E-104Z1	1	332161040R1	<MDD, MDC>
PCB3	C2037	C-CERA C	CK725F1E-104Z1	1	332161040R1	<MDD, MDC>
PCB3	C204	C-CERA C	CK725F1E-104Z1	1	332161040R1	
PCB3	C2041	C-CERA C	CK725B1H-102K1	1	332101025R1	<MDD, MDC>
PCB3	C2042	C-CERA C	CK725F1E-104Z1	1	332161040R1	<MDD, MDC>
PCB3	C2043	UTSP C	CE04W10V-100M(UTSP)	1	397531017T	<MDD, MDC>
PCB3	C2044	C-CERA C	CK725B1H-102K1	1	332101025R1	<MDD, MDC>
PCB3	C2045	UTSP C	CE04W50V-10M(UTSP)	1	397581007T	<MDD, MDC>
PCB3	C205	C-CERA C	CK725F1E-104Z1	1	332161040R1	
PCB3	C206	C-CERA C	CK725F1E-104Z1	1	332161040R1	
PCB3	C207	C-CERA C	CK725F1E-104Z1	1	332161040R1	
PCB3	C208	C-CERA C	CK725F1E-104Z1	1	332161040R1	
PCB3	C209	C-CERA C	CK725F1E-104Z1	1	332161040R1	
PCB3	C210	C-CERA C	CK725F1E-104Z1	1	332161040R1	
PCB3	C211	C-CERA C	CK725F1E-104Z1	1	332161040R1	
PCB3	C213	C-CERA C	CK725F1E-104Z1	1	332161040R1	
PCB3	C214	C-CERA C	CK725F1E-104Z1	1	332161040R1	
PCB3	C215	C-CERA C	CK725F1E-104Z1	1	332161040R1	
PCB3	C221	C-CERA C	CK725F1E-104Z1	1	332161040R1	
PCB3	C222	C-CERA C	CK725F1E-104Z1	1	332161040R1	
PCB3	C223	C-CERA C	CK725F1E-104Z1	1	332161040R1	
PCB3	C224	C-CERA C	CK725F1E-104Z1	1	332161040R1	
PCB3	C225	C-CERA C	CK725F1E-104Z1	1	332161040R1	
PCB3	C226	C-CERA C	CK725F1E-104Z1	1	332161040R1	

PCB3	C227	C-CERA C	CK725F1E-104Z1	1	332161040R1
PCB3	C228	C-CERA C	CK725F1E-104Z1	1	332161040R1
PCB3	C229	C-CERA C	CK725F1E-104Z1	1	332161040R1
PCB3	C230	C-CERA C	CK725F1E-104Z1	1	332161040R1
PCB3	C231	C-CERA C	CK725F1E-104Z1	1	332161040R1
PCB3	C232	C-CERA C	CK725F1E-104Z1	1	332161040R1
PCB3	C241	VR C	CE04W6.3V-470M(VR)	1	394624717T
PCB3	C242	C-CERA C	CK725F1E-104Z1	1	332161040R1
PCB3	C245	C-CERA C	CC725CH1H-101J1	1	342101014R1
PCB3	C271	VR C	CE04W6.3V-470M(VR)	1	394624717T
PCB3	C272	VR C	CE04W6.3V-470M(VR)	1	394624717T
PCB3	C281	VR C	CE04W6.3V-220M(VR)	1	394622217T
PCB3	C282	C-CERA C	CK725F1E-104Z1	1	332161040R1
PCB3	C283	VR C	CE04W6.3V-220M(VR)	1	394622217T
PCB3	C284	C-CERA C	CK725F1E-104Z1	1	332161040R1
PCB3	C285	C-CERA C	CK725F1E-104Z1	1	332161040R1
PCB3	C286	C-CERA C	CK725F1E-104Z1	1	332161040R1
PCB3	C287	C-CERA C	CK725F1E-104Z1	1	332161040R1
PCB3	C288	C-CERA C	CK725F1E-104Z1	1	332161040R1
PCB3	C289	C-CERA C	CK725F1E-104Z1	1	332161040R1
PCB3	C290	C-CERA C	CK725F1E-104Z1	1	332161040R1
PCB3	C291	C-CERA C	CK725F1E-104Z1	1	332161040R1
PCB3	C301	C-CERA C	CK725F1H-103Z1	1	332151030R1
PCB3	C302	UTSP C	CE04W10V-470M(UTSP)	1	397534717T
PCB3	C303	UTSP C	CE04W10V-470M(UTSP)	1	397534717T
PCB3	C304	UTSP C	CE04W10V-470M(UTSP)	1	397534717T
PCB3	C305	C-CERA C	CK725F1E-104Z1	1	332161040R1
PCB3	C306	RFS C	CE04W25V-47M(RFS)	1	395954707T
PCB3	C307	C-CERA C	CK725F1E-104Z1	1	332161040R1
PCB3	C308	UTSP C	CE04W10V-100M(UTSP)	1	397531017T
PCB3	C309	C-CERA C	CK725F1E-104Z1	1	332161040R1
PCB3	C310	C-CERA C	CK725B1H-222K1	1	332102225R1
PCB3	C311	C-CERA C	CK725B1H-473K1	1	332104735R1
PCB3	C312	C-CERA C	CK725F1E-104Z1	1	332161040R1
PCB3	C313	C-CERA C	CK725F1E-104Z1	1	332161040R1
PCB3	C314	C-CERA C	CK725F1E-104Z1	1	332161040R1
PCB3	C315	C-CERA C	CK725F1E-104Z1	1	332161040R1
PCB3	C316	C-CERA C	CC725CH1H-221J1	1	342102214R1
PCB3	C318	C-CERA C	CK725F1E-104Z1	1	332161040R1
PCB3	C319	C-CERA C	CK725F1E-104Z1	1	332161040R1
PCB3	C320	C-CERA C	CK725F1E-104Z1	1	332161040R1
PCB3	C321	UTSP C	CE04W50V-10M(UTSP)	1	397581007T
PCB3	C322	UTSP C	CE04W50V-10M(UTSP)	1	397581007T
PCB3	C323	UTSP C	CE04W50V-10M(UTSP)	1	397581007T
PCB3	C324	UTSP C	CE04W50V-10M(UTSP)	1	397581007T
PCB3	C325	C-CERA C	CC732CH1H-222J	1	347342224R2
PCB3	C326	C-CERA C	CC732CH1H-222J	1	347342224R2
PCB3	C333	C-CERA C	CC725CH1H-330J1	1	342103304R1
PCB3	C334	C-CERA C	CC725CH1H-330J1	1	342103304R1
PCB3	C336	C-CERA C	CC725CH1H-330J1	1	342103304R1
PCB3	C337	C-CERA C	CC725CH1H-330J1	1	342103304R1

PCB3	C341	C-CERA C	CC725CH1H-101J1	1	342101014R1
PCB3	C342	C-CERA C	CC725CH1H-101J1	1	342101014R1
PCB3	C4001	UTSP C	CE04W50V-10M(UTSP)	1	397581007T
PCB3	C4002	UTSP C	CE04W50V-10M(UTSP)	1	397581007T
PCB3	C4003	UTSP C	CE04W50V-10M(UTSP)	1	397581007T
PCB3	C4004	UTSP C	CE04W50V-10M(UTSP)	1	397581007T
PCB3	C4005	UTSP C	CE04W50V-10M(UTSP)	1	397581007T
PCB3	C4006	UTSP C	CE04W50V-10M(UTSP)	1	397581007T
PCB3	C4007	UTSP C	CE04W50V-10M(UTSP)	1	397581007T
PCB3	C4008	UTSP C	CE04W50V-10M(UTSP)	1	397581007T
PCB3	C4009	UTSP C	CE04W50V-10M(UTSP)	1	397581007T
PCB3	C401	TF C	ECQ-B50V-472J	1	374724724T
PCB3	C4013	C-CERA C	CK725B1H-103K1	1	332101035R1
PCB3	C4015	C-CERA C	CK725B1H-102K1	1	332101025R1
PCB3	C4016	C-CERA C	CK725F1E-104Z1	1	332161040R1
PCB3	C4017	UTSP C	CE04W50V-10M(UTSP)	1	397581007T
PCB3	C4018	UTSP C	CE04W50V-10M(UTSP)	1	397581007T
PCB3	C4019	C-CERA C	CK725B1H-103K1	1	332101035R1
PCB3	C402	TF C	ECQ-B50V-472J	1	374724724T
PCB3	C4020	C-CERA C	CK725B1H-102K1	1	332101025R1
PCB3	C4021	C-CERA C	CK725B1H-102K1	1	332101025R1
PCB3	C4022	C-CERA C	CK725F1E-104Z1	1	332161040R1
PCB3	C4023	UTSP C	CE04W50V-10M(UTSP)	1	397581007T
PCB3	C4024	UTSP C	CE04W50V-10M(UTSP)	1	397581007T
PCB3	C4025	C-CERA C	CK725F1E-104Z1	1	332161040R1
PCB3	C4026	UTSP C	CE04W50V-10M(UTSP)	1	397581007T
PCB3	C4027	UTSP C	CE04W50V-10M(UTSP)	1	397581007T
PCB3	C4028	C-CERA C	CK725F1E-104Z1	1	332161040R1
PCB3	C4029	UTSP C	CE04W10V-470M(UTSP)	1	397534717T
PCB3	C403	TF C	ECQ-B50V-472J	1	374724724T
PCB3	C4030	C-CERA C	CK725F1H-103Z1	1	332151030R1
PCB3	C4031	C-CERA C	CK725F1E-104Z1	1	332161040R1
PCB3	C4032	C-FILM C	ECHU16V-103J	1	373041034R2
PCB3	C4033	C-CERA C	CK725F1E-104Z1	1	332161040R1
PCB3	C4034	C-FILM C	ECHU16V-823J	1	373048234R2
PCB3	C4035	C-CERA C	CK725F1E-104Z1	1	332161040R1
PCB3	C4036	C-CERA C	CK725F1E-104Z1	1	332161040R1
PCB3	C4037	C-CERA C	CK725F1E-104Z1	1	332161040R1
PCB3	C4038	C-CERA C	CK725B1H-103K1	1	332101035R1
PCB3	C4039	C-CERA C	CC725CH1H-080D1	1	342100802R1
PCB3	C404	TF C	ECQ-V50V-333J	1	374723334T
PCB3	C4040	C-CERA C	CC725CH1H-080D1	1	342100802R1
PCB3	C4041	C-CERA C	CK725F1E-104Z1	1	332161040R1
PCB3	C4042	UTSP C	CE04W10V-470M(UTSP)	1	397534717T
PCB3	C4043	C-CERA C	CK725B1H-103K1	1	332101035R1
PCB3	C4044	C-CERA C	CK725F1E-104Z1	1	332161040R1
PCB3	C4045	CHIP TANTAL	TCSCS1C106MAAR	1	396541007R2
PCB3	C4045 or	CHIP TANTAL	TCFGA-1C106M8R	(1)	396041007R2
PCB3	C4045 or	CHIP TANTAL	F93-16V-10M	(1)	395541007R2
PCB3	C4046	C-CERA C	CK725F1E-104Z1	1	332161040R1
PCB3	C4047	C-CERA C	CK725F1E-104Z1	1	332161040R1

PCB3	C4048	C-CERA C	CC725CH1H-102J1	1	342101024R1
PCB3	C4049	C-CERA C	CK725F1E-104Z1	1	332161040R1
PCB3	C405	TF C	ECQ-B50V-472J	1	374724724T
PCB3	C4050	CHIP TANTAL	TCSCS1C106MAAR	1	396541007R2
PCB3	C4050 or	CHIP TANTAL	TCFGA-1C106M8R	(1)	396041007R2
PCB3	C4050 or	CHIP TANTAL	F93-16V-10M	(1)	395541007R2
PCB3	C4051	C-CERA C	CK725F1E-104Z1	1	332161040R1
PCB3	C4052	C-CERA C	CK725F1E-104Z1	1	332161040R1
PCB3	C4053	CHIP TANTAL	TCSCS1C106MAAR	1	396541007R2
PCB3	C4053 or	CHIP TANTAL	TCFGA-1C106M8R	(1)	396041007R2
PCB3	C4053 or	CHIP TANTAL	F93-16V-10M	(1)	395541007R2
PCB3	C4054	CHIP TANTAL	TCSCS1C106MAAR	1	396541007R2
PCB3	C4054 or	CHIP TANTAL	TCFGA-1C106M8R	(1)	396041007R2
PCB3	C4054 or	CHIP TANTAL	F93-16V-10M	(1)	395541007R2
PCB3	C4055	C-CERA C	CK725B1H-102K1	1	332101025R1
PCB3	C4056	C-CERA C	CK725F1E-104Z1	1	332161040R1
PCB3	C4057	CHIP TANTAL	TCSCS1C106MAAR	1	396541007R2
PCB3	C4057 or	CHIP TANTAL	TCFGA-1C106M8R	(1)	396041007R2
PCB3	C4057 or	CHIP TANTAL	F93-16V-10M	(1)	395541007R2
PCB3	C4058	C-CERA C	CK725F1E-104Z1	1	332161040R1
PCB3	C4059	C-CERA C	CK725F1E-104Z1	1	332161040R1
PCB3	C406	TF C	ECQ-B50V-472J	1	374724724T
PCB3	C4060	C-CERA C	CK725F1E-104Z1	1	332161040R1
PCB3	C4061	C-CERA C	CK725B1H-103K1	1	332101035R1
PCB3	C4062	C-CERA C	CK725F1E-104Z1	1	332161040R1
PCB3	C4063	C-CERA C	CK725F1E-104Z1	1	332161040R1
PCB3	C4064	C-CERA C	CK725F1E-104Z1	1	332161040R1
PCB3	C4065	C-CERA C	CK725F1E-104Z1	1	332161040R1
PCB3	C4066	C-CERA C	CK725F1E-104Z1	1	332161040R1
PCB3	C4067	C-CERA C	CK725F1E-104Z1	1	332161040R1
PCB3	C4068	C-CERA C	CK725F1E-104Z1	1	332161040R1
PCB3	C4069	C-CERA C	CK725F1E-104Z1	1	332161040R1
PCB3	C407	TF C	ECQ-B50V-472J	1	374724724T
PCB3	C4070	CHIP TANTAL	TCSCS1C106MAAR	1	396541007R2
PCB3	C4070 or	CHIP TANTAL	TCFGA-1C106M8R	(1)	396041007R2
PCB3	C4070 or	CHIP TANTAL	F93-16V-10M	(1)	395541007R2
PCB3	C4071	C-CERA C	CK725F1E-104Z1	1	332161040R1
PCB3	C4072	C-CERA C	CK725F1E-104Z1	1	332161040R1
PCB3	C4073	C-CERA C	CK725F1E-104Z1	1	332161040R1
PCB3	C4074	C-CERA C	CK725F1E-104Z1	1	332161040R1
PCB3	C4075	C-CERA C	CK725F1E-104Z1	1	332161040R1
PCB3	C4076	C-CERA C	CK725B1A-105K1	1	332131055R1
PCB3	C4077	C-CERA C	CK725F1E-104Z1	1	332161040R1
PCB3	C4078	C-CERA C	CK725B1A-105K1	1	332131055R1
PCB3	C408	TF C	ECQ-B50V-472J	1	374724724T
PCB3	C4100	C-CERA C	CK725F1E-104Z1	1	332161040R1
PCB3	C4101	C-CERA C	CK725F1E-104Z1	1	332161040R1
PCB3	C4102	C-CERA C	CK725F1E-104Z1	1	332161040R1
PCB3	C4103	VR C	CE04W6.3V-220M(VR)	1	394622217T
PCB3	C4104	VR C	CE04W6.3V-220M(VR)	1	394622217T
PCB3	C4105	UTSP C	CE04W50V-22M(UTSP)	1	397582207T

PCB3	C4106	VR C	CE04W6.3V-220M(VR)	1	394622217T
PCB3	C4107	UTSP C	CE04W50V-22M(UTSP)	1	397582207T
PCB3	C4108	VR C	CE04W6.3V-220M(VR)	1	394622217T
PCB3	C4109	C-CERA C	CK725F1E-104Z1	1	332161040R1
PCB3	C411	TF C	ECQ-B50V-681J	1	374726814T
PCB3	C4110	C-CERA C	CK725F1E-104Z1	1	332161040R1
PCB3	C4112	C-CERA C	CK725F1E-104Z1	1	332161040R1
PCB3	C4114	VR C	CE04W6.3V-470M(VR)	1	394624717T
PCB3	C4118	VR C	CE04W6.3V-470M(VR)	1	394624717T
PCB3	C4119	VR C	CE04W6.3V-220M(VR)	1	394622217T
PCB3	C412	TF C	ECQ-B50V-681J	1	374726814T
PCB3	C4121	VR C	CE04W6.3V-470M(VR)	1	394624717T
PCB3	C4122	C-CERA C	CK725F1E-104Z1	1	332161040R1
PCB3	C4123	UTSP C	CE04W25V-47M(UTSP)	1	397554707T
PCB3	C4124	UTSP C	CE04W25V-47M(UTSP)	1	397554707T
PCB3	C4125	C-CERA C	CK725F1E-104Z1	1	332161040R1
PCB3	C4129	VR C	CE04W6.3V-470M(VR)	1	394624717T
PCB3	C413	TF C	ECQ-B50V-681J	1	374726814T
PCB3	C4130	VR C	CE04W6.3V-220M(VR)	1	394622217T
PCB3	C4131	C-CERA C	CK725F1E-104Z1	1	332161040R1
PCB3	C4133	VR C	CE04W6.3V-220M(VR)	1	394622217T
PCB3	C4134	VR C	CE04W6.3V-220M(VR)	1	394622217T
PCB3	C4135	C-CERA C	CK725F1E-104Z1	1	332161040R1
PCB3	C4136	UTSP C	CE04W50V-22M(UTSP)	1	397582207T
PCB3	C4137	C-CERA C	CK725F1E-104Z1	1	332161040R1
PCB3	C4138	C-CERA C	CK725F1E-104Z1	1	332161040R1
PCB3	C414	TF C	ECQ-B50V-153J	1	374721534T
PCB3	C4140	C-CERA C	CK725F1E-104Z1	1	332161040R1
PCB3	C4141	UTSP C	CE04W25V-47M(UTSP)	1	397554707T
PCB3	C4142	C-CERA C	CC725CH1H-181J1	1	342101814R1
PCB3	C4143	C-CERA C	CC725CH1H-181J1	1	342101814R1
PCB3	C4144	C-CERA C	CC725CH1H-181J1	1	342101814R1
PCB3	C4148	C-CERA C	CK725F1E-104Z1	1	332161040R1
PCB3	C4149	C-CERA C	CK725F1E-104Z1	1	332161040R1
PCB3	C415	C-CERA C	CC725CH1H-681J1	1	342106814R1
PCB3	C4150	C-CERA C	CK725F1E-104Z1	1	332161040R1
PCB3	C4151	UTSP C	CE04W50V-10M(UTSP)	1	397581007T
PCB3	C4154	C-CERA C	CC725CH1H-221J1	1	342102214R1
PCB3	C4155	C-CERA C	CC725CH1H-221J1	1	342102214R1
PCB3	C4156	C-CERA C	CK725B1H-102K1	1	332101025R1
PCB3	C4157	C-CERA C	CK725B1H-102K1	1	332101025R1
PCB3	C4158	C-CERA C	CC725CH1H-470J1	1	342104704R1
PCB3	C4159	C-CERA C	CC725CH1H-470J1	1	342104704R1
PCB3	C416	C-CERA C	CC725CH1H-681J1	1	342106814R1
PCB3	C4160	C-CERA C	CC725CH1H-470J1	1	342104704R1
PCB3	C4161	C-CERA C	CC725CH1H-101J1	1	342101014R1
PCB3	C4162	C-CERA C	CC725CH1H-101J1	1	342101014R1
PCB3	C4163	C-CERA C	CC725CH1H-101J1	1	342101014R1
PCB3	C4165	C-CERA C	CK725B1A-105K1	1	332131055R1
PCB3	C4167	C-CERA C	CC725CH1H-221J1	1	342102214R1
PCB3	C4168	C-CERA C	CC725CH1H-221J1	1	342102214R1

PCB3	C417	C-CERA C	CC725CH1H-681J1	1	342106814R1
PCB3	C4170	C-CERA C	CC725CH1H-101J1	1	342101014R1
PCB3	C4171	C-CERA C	CC725CH1H-101J1	1	342101014R1
PCB3	C4172	C-CERA C	CC725CH1H-101J1	1	342101014R1
PCB3	C4173	C-CERA C	CC725CH1H-101J1	1	342101014R1
PCB3	C4174	C-CERA C	CC725CH1H-101J1	1	342101014R1
PCB3	C4175	C-CERA C	CC725CH1H-101J1	1	342101014R1
PCB3	C4176	C-CERA C	CK725F1E-104Z1	1	332161040R1
PCB3	C4177	C-CERA C	CK725F1E-104Z1	1	332161040R1
PCB3	C4178	C-CERA C	CK725F1E-104Z1	1	332161040R1
PCB3	C418	C-CERA C	CC725CH1H-681J1	1	342106814R1
PCB3	C421	TF C	ECQ-B50V-681J	1	374726814T
PCB3	C422	TF C	ECQ-B50V-681J	1	374726814T
PCB3	C423	TF C	ECQ-B50V-681J	1	374726814T
PCB3	C424	TF C	ECQ-B50V-153J	1	374721534T
PCB3	C4242	C-CERA C	CK725F1E-104Z1	1	332161040R1
PCB3	C4243	C-CERA C	CK725F1E-104Z1	1	332161040R1
PCB3	C4244	C-CERA C	CK725F1E-104Z1	1	332161040R1
PCB3	C425	C-CERA C	CC725CH1H-681J1	1	342106814R1
PCB3	C426	C-CERA C	CC725CH1H-681J1	1	342106814R1
PCB3	C427	C-CERA C	CC725CH1H-681J1	1	342106814R1
PCB3	C428	C-CERA C	CC725CH1H-681J1	1	342106814R1
PCB3	C591	UTSP C	CE04W25V-220M(UTSP)	1	397552217T
PCB3	C592	UTSP C	CE04W25V-220M(UTSP)	1	397552217T
PCB3	C600	C-CERA C	CK725F1E-104Z1	1	332161040R1
PCB3	C601	C-CERA C	CK725F1E-104Z1	1	332161040R1
PCB3	C602	C-CERA C	CK725F1E-104Z1	1	332161040R1
PCB3	C603	C-CERA C	CK725F1E-104Z1	1	332161040R1
PCB3	C604	UTSP C	CE04W50V-4.7M(UTSP)	1	397580477T
PCB3	C605	C-CERA C	CK725F1E-104Z1	1	332161040R1
PCB3	C606	C-CERA C	CC725CH1H-101J1	1	342101014R1
PCB3	C607	C-CERA C	CC725CH1H-101J1	1	342101014R1
PCB3	C608	C-CERA C	CK725F1E-104Z1	1	332161040R1
PCB3	C609	C-CERA C	CK725F1E-104Z1	1	332161040R1
PCB3	C610	C-CERA C	CK725B1H-102K1	1	332101025R1
PCB3	C611	C-CERA C	CK725F1E-104Z1	1	332161040R1
PCB3	C612	C-CERA C	CK725B1H-102K1	1	332101025R1
PCB3	C613	C-CERA C	CK732B1A-105K	1	337361055R2
PCB3	C614	C-CERA C	CK725F1E-104Z1	1	332161040R1
PCB3	C615	C-CERA C	CK725F1E-104Z1	1	332161040R1
PCB3	C616	C-CERA C	CK725B1H-102K1	1	332101025R1
PCB3	C617	C-CERA C	CK725B1H-102K1	1	332101025R1
PCB3	C618	C-CERA C	CK725B1H-102K1	1	332101025R1
PCB3	C619	C-CERA C	CK725B1H-102K1	1	332101025R1
PCB3	C620	C-CERA C	CK725B1H-102K1	1	332101025R1
PCB3	C621	C-CERA C	CK725B1H-102K1	1	332101025R1
PCB3	C622	C-CERA C	CC725CH1H-101J1	1	342101014R1
PCB3	C623	C-CERA C	CC725CH1H-101J1	1	342101014R1
PCB3	C624	C-CERA C	CK725F1E-104Z1	1	332161040R1
PCB3	C625	C-CERA C	CK725F1E-104Z1	1	332161040R1
PCB3	C626	C-CERA C	CK725F1E-104Z1	1	332161040R1

PCB3	C627	C-CERA C	CK725F1E-104Z1	1	332161040R1	
PCB3	C628	C-CERA C	CK725F1E-104Z1	1	332161040R1	
PCB3	C629	C-CERA C	CK725F1E-104Z1	1	332161040R1	
PCB3	C6600	TF C	ECQ-B50V-223J	1	374722234T	
PCB3	C6602	TF C	ECQ-B50V-223J	1	374722234T	
PCB3	C6603	TF C	ECQ-B50V-223J	1	374722234T	
PCB3	C6605	TF C	ECQ-B50V-223J	1	374722234T	
PCB3	C6607	TF C	ECQ-B50V-223J	1	374722234T	
PCB3	C6640	TF C	ECQ-B50V-103J	1	374721034T	<MPA>
PCB3	C6641	TF C	ECQ-B50V-103J	1	374721034T	<MPA>
PCB3	C6642	TF C	ECQ-B50V-103J	1	374721034T	<MPA>
PCB3	C6643	TF C	ECQ-B50V-103J	1	374721034T	<MPA>
PCB3	C6644	TF C	ECQ-B50V-103J	1	374721034T	<MPA>
PCB3	C6645	TF C	ECQ-B50V-103J	1	374721034T	<MPA>
PCB3	C6646	TF C	ECQ-B50V-103J	1	374721034T	<MPA>
PCB3	C6650	TF C	ECQ-B50V-102J	1	374721024T	<MPA>
PCB3	C6651	TF C	ECQ-B50V-102J	1	374721024T	<MPA>
PCB3	C6652	TF C	ECQ-B50V-102J	1	374721024T	<MPA>
PCB3	C6653	TF C	ECQ-B50V-102J	1	374721024T	<MPA>
PCB3	C6654	TF C	ECQ-B50V-102J	1	374721024T	<MPA>
PCB3	C6655	TF C	ECQ-B50V-102J	1	374721024T	<MPA>
PCB3	C6656	TF C	ECQ-B50V-102J	1	374721024T	<MPA>
PCB3	C701	C-CERA C	CK725F1E-104Z1	1	332161040R1	
PCB3	C702	UTSP C	CE04W10V-100M(UTSP)	1	397531017T	
PCB3	C705	UTSP C	CE04W10V-100M(UTSP)	1	397531017T	
PCB3	C706	VR C	CE04W16V-470M(VR)	1	394644717T	
PCB3	C741	VR C	CE04W16V-470M(VR)	1	394644717T	
PCB3	C742	C-CERA C	CK725B1C-104K1	1	332121045R1	
PCB3	C743	VR C	CE04W6.3V-1000M(VR)	1	394621027T	
PCB3	C745	UTSP C	CE04W50V-10M(UTSP)	1	397581007T	
PCB3	C746	UTSP C	CE04W10V-100M(UTSP)	1	397531017T	
PCB3	C747	UTSP C	CE04W50V-10M(UTSP)	1	397581007T	
PCB3	C748	UTSP C	CE04W10V-100M(UTSP)	1	397531017T	
PCB3	C751	UTSP C	CE04W50V-1M(UTSP)	1	397580107T	
PCB3	C753	VR C	CE04W6.3V-470M(VR)	1	394624717T	
PCB3	C754	C-CERA C	CK725F1E-104Z1	1	332161040R1	
PCB3	C755	C-CERA C	CK725F1E-104Z1	1	332161040R1	
PCB3	C9001	VR C	CE04W63V-470M(VR)	1	394674717S	
PCB3	C9005	UTSP C	CE04W50V 47M(UTSP)	1	397584707T	
PCB3	C9006	C-CERA C	CK725F1H-223Z1	1	332152230R1	
PCB3	C9011	VR C	CE04W16V-10000M(VR)	1	394641037S	
PCB3	C9012	TF C	ECQ-V50V-334J	1	374723344T	
PCB3	C9013	UTSP C	CE04W50V-3.3M(UTSP)	1	397580337T	
PCB3	C9021	VR C	CE04W16V-470M(VR)	1	394644717T	
PCB3	C9022	C-CERA C	CK725F1H-223Z1	1	332152230R1	
PCB3	C9023	VR C	CE04W6.3V-470M(VR)	1	394624717T	
PCB3	C9024	C-CERA C	CK725F1H-223Z1	1	332152230R1	
PCB3	C9025	VR C	CE04W6.3V-470M(VR)	1	394624717T	
PCB3	C9031	VR C	CE04W16V-470M(VR)	1	394644717T	
PCB3	C9032	VR C	CE04W6.3V-470M(VR)	1	394624717T	
PCB3	R101	C-CARBON R	RN72K1J-000JE	1	435030004R1	<MDD, MDC>

PCB3	R103	METAL O R	RS1WBJ-47	1	443624704T	
PCB3	R105	C-CARBON R	RN72K1J-103JE	1	435031034R1	
PCB3	R106	C-CARBON R	RN72K1J-000JE	1	435030004R1	
PCB3	R107	C-CARBON R	RN72K1J-000JE	1	435030004R1	
PCB3	R108	C-CARBON R	RN72K1J-105JE	1	435031054R1	
PCB3	R131	C-CARBON R	RN72K1J-750JE	1	435037504R1	
PCB3	R132	C-CARBON R	RN72K1J-750JE	1	435037504R1	
PCB3	R133	C-CARBON R	RN72K1J-100JE	1	435031004R1	
PCB3	R134	C-CARBON R	RN72K1J-100JE	1	435031004R1	
PCB3	R135	C-CARBON R	RN72K1J-224JE	1	435032244R1	
PCB3	R136	C-CARBON R	RN72K1J-224JE	1	435032244R1	
PCB3	R137	C-CARBON R	RN72K1J-103JE	1	435031034R1	
PCB3	R138	C-CARBON R	RN72K1J-103JE	1	435031034R1	
PCB3	R141	C-CARBON R	RN72K1J-470JE	1	435034704R1	
PCB3	R142	C-CARBON R	RN72K1J-470JE	1	435034704R1	
PCB3	R171	C-CARBON R	RN72K1J-105JE	1	435031054R1	
PCB3	R172	C-CARBON R	RN72K1J-470JE	1	435034704R1	
PCB3	R173	C-CARBON R	RN72K1J-470JE	1	435034704R1	
PCB3	R200	C-CARBON R	RN72K1J-103JE	1	435031034R1	
PCB3	R2001	C-CARBON R	RN72K1J-104JE	1	435031044R1	<MDD, MDC>
PCB3	R2002	C-CARBON R	RN72K1J-104JE	1	435031044R1	<MDD, MDC>
PCB3	R2003	C-CARBON R	RN72K1J-104JE	1	435031044R1	<MDD, MDC>
PCB3	R2004	C-CARBON R	RN72K1J-104JE	1	435031044R1	<MDD, MDC>
PCB3	R2005	C-CARBON R	RN72K1J-104JE	1	435031044R1	<MDD, MDC>
PCB3	R2006	C-CARBON R	RN72K1J-102JE	1	435031024R1	<MDD, MDC>
PCB3	R2007	C-CARBON R	RN72K1J-102JE	1	435031024R1	<MDD, MDC>
PCB3	R2008	C-CARBON R	RN72K1J-101JE	1	435031014R1	<MDD, MDC>
PCB3	R2009	C-CARBON R	RN72K1J-101JE	1	435031014R1	<MDD, MDC>
PCB3	R201	C-CARBON R	RN72K1J-103JE	1	435031034R1	
PCB3	R2010	C-CARBON R	RN72K1J-681JE	1	435036814R1	<MDD, MDC>
PCB3	R2011	C-CARBON R	RN72K1J-105JE	1	435031054R1	<MDD, MDC>
PCB3	R2012	C-CARBON R	RN72K1J-101JE	1	435031014R1	<MDD, MDC>
PCB3	R2013	C-CARBON R	RN72K1J-331JE	1	435033314R1	<MDD, MDC>
PCB3	R2014	C-CARBON R	RN72K1J-331JE	1	435033314R1	<MDD, MDC>
PCB3	R2015	C-CARBON R	RN72K1J-331JE	1	435033314R1	<MDD, MDC>
PCB3	R202	C-CARBON R	RN72K1J-103JE	1	435031034R1	
PCB3	R2021	C-CARBON R	RN72K1J-222JE	1	435032224R1	<MDD, MDC>
PCB3	R2022	C-CARBON R	RN72K1J-222JE	1	435032224R1	<MDD, MDC>
PCB3	R2023	C-CARBON R	RN72K1J-104JE	1	435031044R1	<MDD, MDC>
PCB3	R2024	C-CARBON R	RN72K1J-104JE	1	435031044R1	<MDD, MDC>
PCB3	R2025	C-CARBON R	RN72K1J-222JE	1	435032224R1	<MDD, MDC>
PCB3	R2026	C-CARBON R	RN72K1J-222JE	1	435032224R1	<MDD, MDC>
PCB3	R2027	C-CARBON R	RN72K1J-472JE	1	435034724R1	<MDD, MDC>
PCB3	R2028	C-CARBON R	RN72K1J-472JE	1	435034724R1	<MDD, MDC>
PCB3	R2029	C-CARBON R	RN72K1J-332JE	1	435033324R1	<MDD, MDC>
PCB3	R203	C-CARBON R	RN72K1J-103JE	1	435031034R1	
PCB3	R2030	C-CARBON R	RN72K1J-332JE	1	435033324R1	<MDD, MDC>
PCB3	R2031	METAL O R	RS1/2WBJ-22	1	443522204T	<MDD, MDC>
PCB3	R2032	METAL O R	RS1/2WBJ-22	1	443522204T	<MDD, MDC>
PCB3	R2033	C-CARBON R	RN72K1J-220JE	1	435032204R1	<MDD, MDC>
PCB3	R2034	C-CARBON R	RN72K1J-220JE	1	435032204R1	<MDD, MDC>

PCB3	R2038	C-CARBON R	RN72K1J-220JE	1	435032204R1	<MDD, MDC>
------	-------	------------	---------------	---	-------------	------------

PCB3	R2039	C-CARBON R	RN72K1J-220JE	1	435032204R1	<MDD, MDC>
PCB3	R204	C-CARBON R	RN72K1J-103JE	1	435031034R1	
PCB3	R2044	C-CARBON R	RN72K1J-221JE	1	435032214R1	<MDD, MDC>
PCB3	R2047	METAL O R	RS1/2WBJ-22	1	443522204T	<MDD, MDC>
PCB3	R205	C-CARBON R	RN72K1J-103JE	1	435031034R1	
PCB3	R2051	C-CARBON R	RN72K1J-104JE	1	435031044R1	<MDD, MDC>
PCB3	R2052	C-CARBON R	RN72K1J-000JE	1	435030004R1	<MDD, MDC>
PCB3	R2054	C-CARBON R	RN72K1J-103JE	1	435031034R1	<MDD, MDC>
PCB3	R2055	C-CARBON R	RN72K1J-104JE	1	435031044R1	<MDD, MDC>
PCB3	R2059	C-CARBON R	RN72K1J-000JE	1	435030004R1	<MDD, MDC>
PCB3	R206	C-CARBON R	RN72K1J-331JE	1	435033314R1	
PCB3	R207	C-CARBON R	RN72K1J-331JE	1	435033314R1	
PCB3	R208	C-CARBON R	RN72K1J-103JE	1	435031034R1	
PCB3	R209	C-CARBON R	RN72K1J-103JE	1	435031034R1	
PCB3	R221	C-CARBON R	RN72K1J-470JE	1	435034704R1	
PCB3	R250	C-CARBON R	RN72K1J-331JE	1	435033314R1	
PCB3	R251	C-CARBON R	RN72K1J-331JE	1	435033314R1	
PCB3	R252	C-CARBON R	RN72K1J-331JE	1	435033314R1	
PCB3	R253	C-CARBON R	RN72K1J-470JE	1	435034704R1	
PCB3	R254	C-CARBON R	RN72K1J-470JE	1	435034704R1	
PCB3	R255	C-CARBON R	RN72K1J-470JE	1	435034704R1	
PCB3	R256	C-CARBON R	RN72K1J-470JE	1	435034704R1	
PCB3	R257	C-CARBON R	RN72K1J-470JE	1	435034704R1	
PCB3	R258	C-CARBON R	RN72K1J-103JE	1	435031034R1	
PCB3	R259	C-CARBON R	RN72K1J-331JE	1	435033314R1	
PCB3	R260	C-CARBON R	RN72K1J-470JE	1	435034704R1	
PCB3	R261	C-CARBON R	RN72K1J-470JE	1	435034704R1	
PCB3	R262	C-CARBON R	RN72K1J-103JE	1	435031034R1	
PCB3	R263	C-CARBON R	RN72K1J-103JE	1	435031034R1	
PCB3	R264	C-CARBON R	RN72K1J-103JE	1	435031034R1	
PCB3	R265	C-CARBON R	RN72K1J-331JE	1	435033314R1	
PCB3	R266	C-CARBON R	RN72K1J-331JE	1	435033314R1	
PCB3	R267	C-CARBON R	RN72K1J-331JE	1	435033314R1	
PCB3	R268	C-CARBON R	RN72K1J-103JE	1	435031034R1	
PCB3	R269	C-CARBON R	RN72K1J-331JE	1	435033314R1	
PCB3	R278	C-CARBON R	RN72K1J-103JE	1	435031034R1	
PCB3	R279	C-CARBON R	RN72K1J-103JE	1	435031034R1	
PCB3	R280	C-CARBON R	RN72K1J-103JE	1	435031034R1	
PCB3	R281	C-CARBON R	RN72K1J-103JE	1	435031034R1	
PCB3	R282	C-CARBON R	RN72K1J-103JE	1	435031034R1	
PCB3	R283	C-CARBON R	RN72K1J-103JE	1	435031034R1	
PCB3	R284	C-CARBON R	RN72K1J-103JE	1	435031034R1	
PCB3	R285	C-CARBON R	RN72K1J-103JE	1	435031034R1	
PCB3	R286	C-CARBON R	RN72K1J-103JE	1	435031034R1	
PCB3	R287	C-CARBON R	RN72K1J-331JE	1	435033314R1	
PCB3	R301	C-CARBON R	RN72K1J-470JE	1	435034704R1	
PCB3	R302	C-CARBON R	RN72K1J-470JE	1	435034704R1	
PCB3	R303	C-CARBON R	RN72K1J-470JE	1	435034704R1	
PCB3	R304	C-CARBON R	RN72K1J-221JE	1	435032214R1	
PCB3	R305	C-CARBON R	RN72K1J-470JE	1	435034704R1	
PCB3	R306	C-CARBON R	RN72K1J-221JE	1	435032214R1	

PCB3	R307	C-CARBON R	RN72K1J-221JE	1	435032214R1
PCB3	R308	C-CARBON R	RN72K1J-470JE	1	435034704R1
PCB3	R309	C-CARBON R	RN72K1J-221JE	1	435032214R1
PCB3	R311	C-CARBON R	RN72K1J-272JE	1	435032724R1
PCB3	R312	C-CARBON R	RN72K1J-470JE	1	435034704R1
PCB3	R314	C-CARBON R	RN72K1J-470JE	1	435034704R1
PCB3	R315	C-CARBON R	RN72K1J-470JE	1	435034704R1
PCB3	R316	C-CARBON R	RN72K1J-470JE	1	435034704R1
PCB3	R317	C-CARBON R	RN72K1J-470JE	1	435034704R1
PCB3	R318	C-CARBON R	RN72K1J-470JE	1	435034704R1
PCB3	R319	C-CARBON R	RN72K1J-470JE	1	435034704R1
PCB3	R321	C-CARBON R	RN72K1J-560JE	1	435035604R1
PCB3	R322	C-CARBON R	RN72K1J-560JE	1	435035604R1
PCB3	R323	C-CARBON R	RN72K1J-560JE	1	435035604R1
PCB3	R324	C-CARBON R	RN72K1J-560JE	1	435035604R1
PCB3	R325	C-CARBON R	RN72K1J-392JE	1	435033924R1
PCB3	R326	C-CARBON R	RN72K1J-392JE	1	435033924R1
PCB3	R333	C-CARBON R	RN72K1J-331JE	1	435033314R1
PCB3	R334	C-CARBON R	RN72K1J-331JE	1	435033314R1
PCB3	R336	C-CARBON R	RN72K1J-331JE	1	435033314R1
PCB3	R337	C-CARBON R	RN72K1J-331JE	1	435033314R1
PCB3	R341	C-CARBON R	RN72K1J-103JE	1	435031034R1
PCB3	R342	C-CARBON R	RN72K1J-103JE	1	435031034R1
PCB3	R351	C-CARBON R	RN72K1J-103JE	1	435031034R1
PCB3	R352	C-CARBON R	RN72K1J-103JE	1	435031034R1
PCB3	R4001	C-CARBON R	RN72K1J-750JE	1	435037504R1
PCB3	R4002	C-CARBON R	RN72K1J-750JE	1	435037504R1
PCB3	R4003	C-CARBON R	RN72K1J-750JE	1	435037504R1
PCB3	R4004	C-CARBON R	RN72K1J-750JE	1	435037504R1
PCB3	R4005	C-CARBON R	RN72K1J-750JE	1	435037504R1
PCB3	R4006	C-CARBON R	RN72K1J-750JE	1	435037504R1
PCB3	R4007	C-CARBON R	RN72K1J-750JE	1	435037504R1
PCB3	R4008	C-CARBON R	RN72K1J-750JE	1	435037504R1
PCB3	R4009	C-CARBON R	RN72K1J-750JE	1	435037504R1
PCB3	R401	C-CARBON R	RN72K1J-332JE	1	435033324R1
PCB3	R4016	C-CARBON R	RN72K1J-750JE	1	435037504R1
PCB3	R4017	C-CARBON R	RN72K1J-750JE	1	435037504R1
PCB3	R4018	C-CARBON R	RN72K1J-750JE	1	435037504R1
PCB3	R4019	C-CARBON R	RN72K1J-750JE	1	435037504R1
PCB3	R402	C-CARBON R	RN72K1J-332JE	1	435033324R1
PCB3	R4020	C-CARBON R	RN72K1J-750JE	1	435037504R1
PCB3	R4021	C-CARBON R	RN72K1J-750JE	1	435037504R1
PCB3	R4022	C-CARBON R	RN72K1J-750JE	1	435037504R1
PCB3	R4023	C-CARBON R	RN72K1J-750JE	1	435037504R1
PCB3	R4024	C-CARBON R	RN72K1J-750JE	1	435037504R1
PCB3	R4025	C-CARBON R	RN72K1J-750JE	1	435037504R1
PCB3	R4026	C-CARBON R	RN72K1J-750JE	1	435037504R1
PCB3	R4027	C-CARBON R	RN72K1J-750JE	1	435037504R1
PCB3	R4028	C-CARBON R	RN72K1J-750JE	1	435037504R1
PCB3	R4029	C-CARBON R	RN72K1J-750JE	1	435037504R1
PCB3	R403	C-CARBON R	RN72K1J-332JE	1	435033324R1

PCB3	R4030	C-CARBON R	RN72K1J-750JE	1	435037504R1
PCB3	R4031	C-CARBON R	RN72K1J-000JE	1	435030004R1
PCB3	R4032	C-CARBON R	RN72K1J-000JE	1	435030004R1
PCB3	R4033	C-CARBON R	RN72K1J-102JE	1	435031024R1
PCB3	R4034	C-CARBON R	RN72K1J-102JE	1	435031024R1
PCB3	R4035	C-CARBON R	RN72K1J-102JE	1	435031024R1
PCB3	R4036	C-CARBON R	RN72K1J-102JE	1	435031024R1
PCB3	R4037	C-CARBON R	RN72K1J-102JE	1	435031024R1
PCB3	R4038	C-CARBON R	RN72K1J-102JE	1	435031024R1
PCB3	R4039	C-CARBON R	RN72K1J-102JE	1	435031024R1
PCB3	R404	C-CARBON R	RN72K1J-332JE	1	435033324R1
PCB3	R4040	C-CARBON R	RN72K1J-102JE	1	435031024R1
PCB3	R4041	C-CARBON R	RN72K1J-101JE	1	435031014R1
PCB3	R4042	C-CARBON R	RN72K1J-101JE	1	435031014R1
PCB3	R4043	C-CARBON R	RN72K1J-101JE	1	435031014R1
PCB3	R4044	C-CARBON R	RN72K1J-330JE	1	435033304R1
PCB3	R4045	C-CARBON R	RN72K1J-330JE	1	435033304R1
PCB3	R4046	C-CARBON R	RN72K1J-330JE	1	435033304R1
PCB3	R4047	C-CARBON R	RN72K1J-330JE	1	435033304R1
PCB3	R4048	C-CARBON R	RN72K1J-330JE	1	435033304R1
PCB3	R4049	C-CARBON R	RN72K1J-330JE	1	435033304R1
PCB3	R405	C-CARBON R	RN72K1J-332JE	1	435033324R1
PCB3	R4050	C-CARBON R	RN72K1J-330JE	1	435033304R1
PCB3	R4051	C-CARBON R	RN72K1J-330JE	1	435033304R1
PCB3	R4052	C-CARBON R	RN72K1J-330JE	1	435033304R1
PCB3	R4053	C-CARBON R	RN72K1J-330JE	1	435033304R1
PCB3	R4054	C-CARBON R	RN72K1J-330JE	1	435033304R1
PCB3	R4055	C-CARBON R	RN72K1J-472JE	1	435034724R1
PCB3	R4056	C-CARBON R	RN72K1J-681JE	1	435036814R1
PCB3	R4057	C-CARBON R	RN72K1J-102JE	1	435031024R1
PCB3	R4058	C-CARBON R	RN72K1J-222JE	1	435032224R1
PCB3	R4059	C-CARBON R	RN72K1J-222JE	1	435032224R1
PCB3	R406	C-CARBON R	RN72K1J-332JE	1	435033324R1
PCB3	R4060	C-CARBON R	RN72K1J-472JE	1	435034724R1
PCB3	R4061	C-CARBON R	RN72K1J-101JE	1	435031014R1
PCB3	R4063	C-CARBON R	RN72K1J-122JE	1	435031224R1
PCB3	R4064	C-CARBON R	RN72K1J-122JE	1	435031224R1
PCB3	R4065	C-CARBON R	RN72K1J-101JE	1	435031014R1
PCB3	R4067	C-CARBON R	RN72K1J-820JE	1	435038204R1
PCB3	R4068	C-CARBON R	RN72K1J-680JE	1	435036804R1
PCB3	R407	C-CARBON R	RN72K1J-332JE	1	435033324R1
PCB3	R4074	C-CARBON R	RN72K1J-472JE	1	435034724R1
PCB3	R4075	C-CARBON R	RN72K1J-472JE	1	435034724R1
PCB3	R4076	C-CARBON R	RN72K1J-101JE	1	435031014R1
PCB3	R4077	C-CARBON R	RN72K1J-101JE	1	435031014R1
PCB3	R4078	C-CARBON R	RN72K1J-122JE	1	435031224R1
PCB3	R4079	C-CARBON R	RN72K1J-122JE	1	435031224R1
PCB3	R408	C-CARBON R	RN72K1J-332JE	1	435033324R1
PCB3	R4080	C-CARBON R	RN72K1J-680JE	1	435036804R1
PCB3	R4081	C-CARBON R	RN72K1J-820JE	1	435038204R1
PCB3	R4082	C-CARBON R	RN72K1J-101JE	1	435031014R1

PCB3	R4084	C-CARBON R	RN72K1J-680JE	1	435036804R1
PCB3	R4085	C-CARBON R	RN72K1J-820JE	1	435038204R1
PCB3	R4086	C-CARBON R	RN72K1J-101JE	1	435031014R1
PCB3	R4088	C-CARBON R	RN72K1J-680JE	1	435036804R1
PCB3	R4089	C-CARBON R	RN72K1J-820JE	1	435038204R1
PCB3	R4090	C-CARBON R	RN72K1J-101JE	1	435031014R1
PCB3	R4092	C-CARBON R	RN72K1J-680JE	1	435036804R1
PCB3	R4093	C-CARBON R	RN72K1J-820JE	1	435038204R1
PCB3	R4094	C-CARBON R	RN72K1J-101JE	1	435031014R1
PCB3	R4096	C-CARBON R	RN72K1J-680JE	1	435036804R1
PCB3	R4097	C-CARBON R	RN72K1J-820JE	1	435038204R1
PCB3	R4098	C-CARBON R	RN72K1J-101JE	1	435031014R1
PCB3	R411	C-CARBON R	RN72K1J-332JE	1	435033324R1
PCB3	R4114	C-CARBON R	RN72K1J-680JE	1	435036804R1
PCB3	R4115	C-CARBON R	RN72K1J-103JE	1	435031034R1
PCB3	R4116	C-CARBON R	RN72K1J-222JE	1	435032224R1
PCB3	R4117	C-CARBON R	RN72K1J-333JE	1	435033334R1
PCB3	R412	C-CARBON R	RN72K1J-332JE	1	435033324R1
PCB3	R413	C-CARBON R	RN72K1J-332JE	1	435033324R1
PCB3	R4133	C-CARBON R	RN72K1J-750JE	1	435037504R1
PCB3	R4134	C-CARBON R	RN72K1J-750JE	1	435037504R1
PCB3	R4135	C-CARBON R	RN72K1J-750JE	1	435037504R1
PCB3	R4136	C-CARBON R	RN72K1J-000JE	1	435030004R1
PCB3	R4137	C-CARBON R	RN72K1J-000JE	1	435030004R1
PCB3	R414	C-CARBON R	RN72K1J-332JE	1	435033324R1
PCB3	R415	C-CARBON R	RN72K1J-332JE	1	435033324R1
PCB3	R4159	C-CARBON R	RN72K1J-103JE	1	435031034R1
PCB3	R416	C-CARBON R	RN72K1J-332JE	1	435033324R1
PCB3	R417	C-CARBON R	RN72K1J-332JE	1	435033324R1
PCB3	R418	C-CARBON R	RN72K1J-332JE	1	435033324R1
PCB3	R4201	C-CARBON R	RN72K1J-750JE	1	435037504R1
PCB3	R4202	C-CARBON R	RN72K1J-750JE	1	435037504R1
PCB3	R4203	C-CARBON R	RN72K1J-750JE	1	435037504R1
PCB3	R4204	C-CARBON R	RN72K1J-104JE	1	435031044R1
PCB3	R4205	C-CARBON R	RN72K1J-104JE	1	435031044R1
PCB3	R4206	C-CARBON R	RN72K1J-104JE	1	435031044R1
PCB3	R421	C-CARBON R	RN72K1J-471JE	1	435034714R1
PCB3	R4210	C-CARBON R	RN72K1J-104JE	1	435031044R1
PCB3	R4211	C-CARBON R	RN72K1J-104JE	1	435031044R1
PCB3	R4212	C-CARBON R	RN72K1J-104JE	1	435031044R1
PCB3	R4213	C-CARBON R	RN72K1J-104JE	1	435031044R1
PCB3	R4214	C-CARBON R	RN72K1J-104JE	1	435031044R1
PCB3	R4215	C-CARBON R	RN72K1J-104JE	1	435031044R1
PCB3	R422	C-CARBON R	RN72K1J-471JE	1	435034714R1
PCB3	R423	C-CARBON R	RN72K1J-471JE	1	435034714R1
PCB3	R424	C-CARBON R	RN72K1J-471JE	1	435034714R1
PCB3	R425	C-CARBON R	RN72K1J-471JE	1	435034714R1
PCB3	R426	C-CARBON R	RN72K1J-471JE	1	435034714R1
PCB3	R427	C-CARBON R	RN72K1J-471JE	1	435034714R1
PCB3	R428	C-CARBON R	RN72K1J-471JE	1	435034714R1
PCB3	R431	C-CARBON R	RN72K1J-471JE	1	435034714R1

PCB3	R432	C-CARBON R	RN72K1J-471JE	1	435034714R1
PCB3	R433	C-CARBON R	RN72K1J-471JE	1	435034714R1
PCB3	R434	C-CARBON R	RN72K1J-471JE	1	435034714R1
PCB3	R435	C-CARBON R	RN72K1J-471JE	1	435034714R1
PCB3	R436	C-CARBON R	RN72K1J-471JE	1	435034714R1
PCB3	R437	C-CARBON R	RN72K1J-471JE	1	435034714R1
PCB3	R438	C-CARBON R	RN72K1J-471JE	1	435034714R1
PCB3	R441	C-CARBON R	RN72K1J-472JE	1	435034724R1
PCB3	R442	C-CARBON R	RN72K1J-472JE	1	435034724R1
PCB3	R443	C-CARBON R	RN72K1J-472JE	1	435034724R1
PCB3	R444	C-CARBON R	RN72K1J-472JE	1	435034724R1
PCB3	R445	C-CARBON R	RN72K1J-472JE	1	435034724R1
PCB3	R446	C-CARBON R	RN72K1J-472JE	1	435034724R1
PCB3	R447	C-CARBON R	RN72K1J-472JE	1	435034724R1
PCB3	R448	C-CARBON R	RN72K1J-472JE	1	435034724R1
PCB3	R451	C-CARBON R	RN72K1J-472JE	1	435034724R1
PCB3	R452	C-CARBON R	RN72K1J-472JE	1	435034724R1
PCB3	R453	C-CARBON R	RN72K1J-472JE	1	435034724R1
PCB3	R454	C-CARBON R	RN72K1J-472JE	1	435034724R1
PCB3	R455	C-CARBON R	RN72K1J-472JE	1	435034724R1
PCB3	R456	C-CARBON R	RN72K1J-472JE	1	435034724R1
PCB3	R457	C-CARBON R	RN72K1J-472JE	1	435034724R1
PCB3	R458	C-CARBON R	RN72K1J-472JE	1	435034724R1
PCB3	R461	C-CARBON R	RN72K1J-181JE	1	435031814R1
PCB3	R462	C-CARBON R	RN72K1J-181JE	1	435031814R1
PCB3	R463	C-CARBON R	RN72K1J-181JE	1	435031814R1
PCB3	R464	C-CARBON R	RN72K1J-181JE	1	435031814R1
PCB3	R465	C-CARBON R	RN72K1J-181JE	1	435031814R1
PCB3	R466	C-CARBON R	RN72K1J-181JE	1	435031814R1
PCB3	R467	C-CARBON R	RN72K1J-181JE	1	435031814R1
PCB3	R468	C-CARBON R	RN72K1J-181JE	1	435031814R1
PCB3	R471	C-CARBON R	RN72K1J-181JE	1	435031814R1
PCB3	R472	C-CARBON R	RN72K1J-181JE	1	435031814R1
PCB3	R473	C-CARBON R	RN72K1J-181JE	1	435031814R1
PCB3	R474	C-CARBON R	RN72K1J-181JE	1	435031814R1
PCB3	R475	C-CARBON R	RN72K1J-181JE	1	435031814R1
PCB3	R476	C-CARBON R	RN72K1J-181JE	1	435031814R1
PCB3	R477	C-CARBON R	RN72K1J-181JE	1	435031814R1
PCB3	R478	C-CARBON R	RN72K1J-181JE	1	435031814R1
PCB3	R571	C-CARBON R	RN72K1J-000JE	1	435030004R1
PCB3	R572	C-CARBON R	RN72K1J-000JE	1	435030004R1
PCB3	R591	METAL O R	RS1/2WBJ-22	1	443522204T
PCB3	R592	METAL O R	RS1/2WBJ-22	1	443522204T
PCB3	R600	C-CARBON R	RN72K1J-103JE	1	435031034R1
PCB3	R601	C-CARBON R	RN72K1J-473JE	1	435034734R1
PCB3	R602	C-CARBON R	RN72K1J-222JE	1	435032224R1
PCB3	R603	C-CARBON R	RN72K1J-222JE	1	435032224R1
PCB3	R604	C-CARBON R	RN72K1J-221JE	1	435032214R1
PCB3	R605	C-CARBON R	RN72K1J-221JE	1	435032214R1
PCB3	R606	C-CARBON R	RN72K1J-472JE	1	435034724R1
PCB3	R607	C-CARBON R	RN72K1J-472JE	1	435034724R1

PCB3	R608	C-CARBON R	RN72K1J-221JE	1	435032214R1	
PCB3	R609	C-CARBON R	RN72K1J-103JE	1	435031034R1	
PCB3	R610	C-CARBON R	RN72K1J-103JE	1	435031034R1	
PCB3	R611	C-CARBON R	RN72K1J-221JE	1	435032214R1	<MDD, MDC>
PCB3	R613	C-CARBON R	RN72K1J-221JE	1	435032214R1	
PCB3	R614	C-CARBON R	RN72K1J-105JE	1	435031054R1	
PCB3	R615	C-CARBON R	RN72K1J-103JE	1	435031034R1	
PCB3	R616	C-CARBON R	RN72K1J-103JE	1	435031034R1	
PCB3	R617	C-CARBON R	RN72K1J-103JE	1	435031034R1	
PCB3	R618	C-CARBON R	RN72K1J-221JE	1	435032214R1	
PCB3	R619	C-CARBON R	RN72K1J-221JE	1	435032214R1	<MDD, MDC>
PCB3	R620	C-CARBON R	RN72K1J-221JE	1	435032214R1	<MDD, MDC>
PCB3	R621	C-CARBON R	RN72K1J-221JE	1	435032214R1	<MDD, MDC>
PCB3	R622	C-CARBON R	RN72K1J-221JE	1	435032214R1	
PCB3	R623	C-CARBON R	RN72K1J-221JE	1	435032214R1	
PCB3	R624	C-CARBON R	RN72K1J-221JE	1	435032214R1	
PCB3	R625	C-CARBON R	RN72K1J-221JE	1	435032214R1	
PCB3	R626	C-CARBON R	RN72K1J-221JE	1	435032214R1	
PCB3	R627	C-CARBON R	RN72K1J-221JE	1	435032214R1	
PCB3	R628	C-CARBON R	RN72K1J-470JE	1	435034704R1	
PCB3	R629	C-CARBON R	RN72K1J-470JE	1	435034704R1	
PCB3	R630	C-CARBON R	RN72K1J-103JE	1	435031034R1	<MPA>
PCB3	R631	C-CARBON R	RN72K1J-222JE	1	435032224R1	
PCB3	R632	C-CARBON R	RN72K1J-222JE	1	435032224R1	
PCB3	R633	C-CARBON R	RN72K1J-103JE	1	435031034R1	
PCB3	R634	C-CARBON R	RN72K1J-103JE	1	435031034R1	
PCB3	R635	C-CARBON R	RN72K1J-103JE	1	435031034R1	
PCB3	R636	C-CARBON R	RN72K1J-103JE	1	435031034R1	
PCB3	R637	C-CARBON R	RN72K1J-103JE	1	435031034R1	
PCB3	R638	C-CARBON R	RN72K1J-470JE	1	435034704R1	
PCB3	R639	C-CARBON R	RN72K1J-470JE	1	435034704R1	
PCB3	R640	C-CARBON R	RN72K1J-470JE	1	435034704R1	
PCB3	R641	C-CARBON R	RN72K1J-470JE	1	435034704R1	
PCB3	R642	C-CARBON R	RN72K1J-221JE	1	435032214R1	<MDD, MDC>
PCB3	R643	C-CARBON R	RN72K1J-221JE	1	435032214R1	<MDD, MDC>
PCB3	R644	C-CARBON R	RN72K1J-221JE	1	435032214R1	<MDD, MDC>
PCB3	R645	C-CARBON R	RN72K1J-103JE	1	435031034R1	<MDD, MDC>
PCB3	R646	C-CARBON R	RN72K1J-103JE	1	435031034R1	
PCB3	R647	C-CARBON R	RN72K1J-103JE	1	435031034R1	
PCB3	R648	C-CARBON R	RN72K1J-221JE	1	435032214R1	
PCB3	R649	C-CARBON R	RN72K1J-103JE	1	435031034R1	
PCB3	R650	C-CARBON R	RN72K1J-221JE	1	435032214R1	
PCB3	R651	C-CARBON R	RN72K1J-221JE	1	435032214R1	
PCB3	R652	C-CARBON R	RN72K1J-221JE	1	435032214R1	
PCB3	R653	C-CARBON R	RN72K1J-221JE	1	435032214R1	
PCB3	R654	C-CARBON R	RN72K1J-103JE	1	435031034R1	
PCB3	R658	C-CARBON R	RN72K1J-470JE	1	435034704R1	
PCB3	R659	C-CARBON R	RN72K1J-470JE	1	435034704R1	
PCB3	R6600	CARBON R	R16J-22	1	417342204T	<MPA>
PCB3	R6601	CARBON R	R16J-22	1	417342204T	<MPA>
PCB3	R6602	CARBON R	R16J-22	1	417342204T	<MPA>

PCB3	R6603	CARBON R	R16J-22	1	417342204T	<MPA>
PCB3	R6604	CARBON R	R16J-22	1	417342204T	<MPA>
PCB3	R6605	CARBON R	R16J-22	1	417342204T	<MPA>
PCB3	R6606	CARBON R	R16J-22	1	417342204T	<MPA>
PCB3	R661	C-CARBON R	RN72K1J-221JE	1	435032214R1	
PCB3	R6610	CARBON R	R16J-22	1	417342204T	<MPA>
PCB3	R6611	CARBON R	R16J-22	1	417342204T	<MPA>
PCB3	R6612	CARBON R	R16J-22	1	417342204T	<MPA>
PCB3	R6613	CARBON R	R16J-22	1	417342204T	<MPA>
PCB3	R6614	CARBON R	R16J-22	1	417342204T	<MPA>
PCB3	R6615	CARBON R	R16J-22	1	417342204T	<MPA>
PCB3	R6616	CARBON R	R16J-22	1	417342204T	<MPA>
PCB3	R662	C-CARBON R	RN72K1J-221JE	1	435032214R1	
PCB3	R663	C-CARBON R	RN72K1J-221JE	1	435032214R1	
PCB3	R664	C-CARBON R	RN72K1J-221JE	1	435032214R1	<MDD, MDC>
PCB3	R665	C-CARBON R	RN72K1J-221JE	1	435032214R1	<MDD, MDC>
PCB3	R666	C-CARBON R	RN72K1J-221JE	1	435032214R1	
PCB3	R667	C-CARBON R	RN72K1J-224JE	1	435032244R1	
PCB3	R668	C-CARBON R	RN72K1J-221JE	1	435032214R1	
PCB3	R669	C-CARBON R	RN72K1J-221JE	1	435032214R1	
PCB3	R6690	METAL O R	RS1/2WBJ-10	1	443521004T	
PCB3	R6691	METAL O R	RS1/2WBJ-390	1	443523914T	
PCB3	R670	C-CARBON R	RN72K1J-221JE	1	435032214R1	
PCB3	R671	C-CARBON R	RN72K1J-473JE	1	435034734R1	
PCB3	R672	C-CARBON R	RN72K1J-221JE	1	435032214R1	
PCB3	R673	C-CARBON R	RN72K1J-221JE	1	435032214R1	
PCB3	R674	C-CARBON R	RN72K1J-102JE	1	435031024R1	
PCB3	R675	C-CARBON R	RN72K1J-102JE	1	435031024R1	
PCB3	R676	C-CARBON R	RN72K1J-102JE	1	435031024R1	
PCB3	R677	C-CARBON R	RN72K1J-102JE	1	435031024R1	
PCB3	R678	C-CARBON R	RN72K1J-103JE	1	435031034R1	
PCB3	R679	C-CARBON R	RN72K1J-273JE	1	435032734R1	
PCB3	R680	C-CARBON R	RN72K1J-273JE	1	435032734R1	
PCB3	R682	C-CARBON R	RN72K1J-103JE	1	435031034R1	
PCB3	R683	C-CARBON R	RN72K1J-103JE	1	435031034R1	
PCB3	R684	C-CARBON R	RN72K1J-470JE	1	435034704R1	
PCB3	R685	C-CARBON R	RN72K1J-221JE	1	435032214R1	
PCB3	R686	C-CARBON R	RN72K1J-221JE	1	435032214R1	
PCB3	R687	C-CARBON R	RN72K1J-221JE	1	435032214R1	
PCB3	R688	C-CARBON R	RN72K1J-221JE	1	435032214R1	
PCB3	R689	C-CARBON R	RN72K1J-102JE	1	435031024R1	
PCB3	R690	C-CARBON R	RN72K1J-221JE	1	435032214R1	
PCB3	R691	C-CARBON R	RN72K1J-472JE	1	435034724R1	
PCB3	R692	C-CARBON R	RN72K1J-472JE	1	435034724R1	
PCB3	R693	C-CARBON R	RN72K1J-472JE	1	435034724R1	
PCB3	R694	C-CARBON R	RN72K1J-472JE	1	435034724R1	
PCB3	R695	C-CARBON R	RN72K1J-472JE	1	435034724R1	
PCB3	R696	C-CARBON R	RN72K1J-472JE	1	435034724R1	
PCB3	R697	C-CARBON R	RN72K1J-103JE	1	435031034R1	
PCB3	R698	C-CARBON R	RN72K1J-272JE	1	435032724R1	
PCB3	R699	C-CARBON R	RN72K1J-272JE	1	435032724R1	

PCB3	R6992	METAL O R	RS1/2WBJ-390	1	443523914T	
PCB3	R700	C-CARBON R	RN72K1J-272JE	1	435032724R1	
PCB3	R701	C-CARBON R	RN72K1J-272JE	1	435032724R1	
PCB3	R702	C-CARBON R	RN72K1J-103JE	1	435031034R1	
PCB3	R703	C-CARBON R	RN72K1J-103JE	1	435031034R1	<MPA>
PCB3	R704	C-CARBON R	RN72K1J-103JE	1	435031034R1	<MPA>
PCB3	R705	C-CARBON R	RN72K1J-333JE	1	435033334R1	
PCB3	R706	C-CARBON R	RN72K1J-333JE	1	435033334R1	<MPA>
PCB3	R707	C-CARBON R	RN72K1J-000JE	1	435030004R1	<MDD, MDC>
PCB3	R707	C-CARBON R	RN72K1J-103JE	1	435031034R1	<MPA>
PCB3	R708	C-CARBON R	RN72K1J-472JE	1	435034724R1	
PCB3	R709	C-CARBON R	RN72K1J-000JE	1	435030004R1	<MDD, MDC>
PCB3	R709	C-CARBON R	RN72K1J-103JE	1	435031034R1	<MPA>
PCB3	R710	C-CARBON R	RN72K1J-000JE	1	435030004R1	<MDD, MDC>
PCB3	R711	C-CARBON R	RN72K1J-470JE	1	435034704R1	
PCB3	R712	C-CARBON R	RN72K1J-102JE	1	435031024R1	
PCB3	R713	C-CARBON R	RN72K1J-222JE	1	435032224R1	
PCB3	R714	C-CARBON R	RN72K1J-103JE	1	435031034R1	
PCB3	R715	C-CARBON R	RN72K1J-000JE	1	435030004R1	
PCB3	R716	C-CARBON R	RN72K1J-000JE	1	435030004R1	
PCB3	R717	C-CARBON R	RN72K1J-000JE	1	435030004R1	
PCB3	R718	C-CARBON R	RN72K1J-000JE	1	435030004R1	
PCB3	R732	C-CARBON R	RN72K1J-102JE	1	435031024R1	
PCB3	R741	C-CARBON R	RN72K1J-102JE	1	435031024R1	
PCB3	R742	C-CARBON R	RN72K1J-682JE	1	435036824R1	
PCB3	R743	C-CARBON R	RN72K1J-682JE	1	435036824R1	
PCB3	R744	C-CARBON R	RN72K1J-000JE	1	435030004R1	
PCB3	R745	C-CARBON R	RN72K1J-393JE	1	435033934R1	
PCB3	R746	C-CARBON R	RN72K1J-393JE	1	435033934R1	
PCB3	R747	C-CARBON R	RN72K1J-333JE	1	435033334R1	
PCB3	R748	METAL R	RNU1/2WCJ-2.2	1	453530224T	
PCB3	R749	C-CARBON R	RN72K1J-392JE	1	435033924R1	
PCB3	R9001	METAL R	RNU2WCJ-3.3	1	452730334F	
PCB3	R9002	METAL R	RNU2WCJ-3.3	1	452730334F	
PCB3	R9003	C-CARBON R	RN72K1J-822JE	1	435038224R1	
PCB3	R9004	C-CARBON R	RN72K1J-333JE	1	435033334R1	
PCB3	R9005	METAL O R	RS1/2WBJ-220	1	443522214T	
PCB3	R9006	C-CARBON R	RN72K1J-822JE	1	435038224R1	
PCB3	R9007	METAL R	RNU1/2WCJ-2.2	1	453530224T	
PCB3	R9008	C-CARBON R	RN72K1J-152JE	1	435031524R1	
PCB3	R9009	METAL O R	RS1/2WBJ-10	1	442521004F	
PCB3	R9010	METAL O R	RS1/2WBJ-82	1	443528204T	
PCB3	R9011	METAL R	RNU1/2WCJ-4.7	1	453530474T	
PCB3	R9012	C-CARBON R	RN72K1J-010JE	1	435030104R1	
PCB3	R9013	C-CARBON R	RN72K1J-010JE	1	435030104R1	
PCB3	R9014	C-CARBON R	RN72K1J-104JE	1	435031044R1	
PCB3	R9017	C-CARBON R	RN72K1J-000JE	1	435030004R1	<MPA>
PCB3	R9018	C-CARBON R	RN72K1J-000JE	1	435030004R1	<MDD, MDC>
PCB3	R9020	C-CARBON R	RN72K1J-103JE	1	435031034R1	
PCB3	R9021	C-CARBON R	RN72K1J-152JE	1	435031524R1	
PCB3	R9022	C-CARBON R	RN72K1J-104JE	1	435031044R1	

PCB3	R9023	C-CARBON R	RN72K1J-682JE	1	435036824R1	
PCB3	R9024	C-CARBON R	RN72K1J-333JE	1	435033334R1	
PCB3	R9027	C-CARBON R	RN72K1J-103JE	1	435031034R1	
PCB3	R9028	METAL R	RNU1/2WCJ-0.47	1	453534794T	
PCB3	R9029	METAL R	RNU1/2WCJ-0.47	1	453534794T	
PCB3	RL6600	RELAY	NRL-2P5A-DC24-158	1	25065618	
PCB3	RL6600 or	RELAY	NRL-2P5A-DC24-129	(1)	25065563A	
PCB3	RL6602	RELAY	NRL-2P5A-DC24-158	1	25065618	
PCB3	RL6602 or	RELAY	NRL-2P5A-DC24-129	(1)	25065563A	
PCB3	RL6603	RELAY	NRL-2P5A-DC24-158	1	25065618	
PCB3	RL6603 or	RELAY	NRL-2P5A-DC24-129	(1)	25065563A	
PCB3	RL6605	RELAY	NRL-2P5A-DC24-158	1	25065618	
PCB3	RL6605 or	RELAY	NRL-2P5A-DC24-129	(1)	25065563A	
PCB3	RL6607	RELAY	NRL-2P5A-DC24-158	1	25065618	
PCB3	RL6607 or	RELAY	NRL-2P5A-DC24-129	(1)	25065563A	
PCB3	P101A	SOCKET	NSCT-13P2106	1	25052209	
PCB3	P131	PIN JACK	NPJ-2PDOO626	1	25045847	
PCB3	P131 or	PIN JACK	NPJ-2PDO445	(1)	25045640	
PCB3	P2001	SOCKET	CAM-C16	1	25053104R2	<MDD, MDC>
PCB3	P2002	SOCKET	YKF51-5397N	1	25053201	<MDD, MDC>
PCB3	P2004A	PLUG	IMSA-9163B-10G	1	25056587A	
PCB3	P2004B	SOCKET	IMSA-9163S-10A	1	25053107	
PCB3	P2005A	PLUG	IMSA-9163B-16G	1	25056588A	
PCB3	P2005B	SOCKET	IMSA-9163S-16A	1	25053108	
PCB3	P2006A	PLUG	IMSA-9163B-04G	1	25056586A	
PCB3	P2006B	SOCKET	IMSA-9163S-04A	1	25053106	
PCB3	P302A	SOCKET	NSCT-14P2194	1	25052297	
PCB3	P303A	SOCKET	NSCT-14P2194	1	25052297	
PCB3	P304A	SOCKET	NSCT-3P2183	1	25052286	
PCB3	P4001	PIN JACK	NPJ-6PDGLRGLR646	1	25045871	
PCB3	P4002	PIN JACK	NPJ-6PDGLRGLR646	1	25045871	
PCB3	P4004	PIN JACK	NPJ-10PDBY621	1	25045842	
PCB3	P4004 or	PIN JACK	NPJ-10PDBY478	(1)	25045681	
PCB3	P4005	PIN JACK	NPJ-10PDBY621	1	25045842	
PCB3	P4005 or	PIN JACK	NPJ-10PDBY478	(1)	25045681	
PCB3	P4006	PIN JACK	NPJ-5PDBY622	1	25045843	
PCB3	P4006 or	PIN JACK	NPJ-5PDBY479	(1)	25045682	
PCB3	P4014	SHLD PLT	.	1	27150512A	
PCB3	P6601	TRM	NTM-6PDMCWRG410	1	25060482	
PCB3	P6601 or	TRM	NTM-6PDMC392	(1)	25060463	
PCB3	P6602	TRM	NTM-8PDMCNTLE411	1	25060483	
PCB3	P6602 or	TRM	NTM-8PDMC393	(1)	25060464	
PCB3	P701A	SOCKET	52492-3220	1	25053224	
PCB3	P751A	SOCKET	NSCT-9P2427	1	25052530	
PCB3	E2001	TRM(SCREW)	NEJITANSI M3	1	25065425	<MDD, MDC>
PCB3	E2002	TRM(SCREW)	NEJITANSI M3	1	25065425	<MDD, MDC>
PCB3	E2003	RETAINER	(XM)	1	27142048	<MDD, MDC>
PCB3	E9001	TRM(SCREW)	NEJITANSI M3	1	25065425	
PCB3	JL101	JUMPER LEAD	JL11 300 B	1	---	<MDD>, NSP
PCB3	JL101	JUMPER LEAD	JL11 300 B	1	---	<MDC>, NSP
PCB3	JL101A	WIRE HOL	NSCT-11P882	1	25051095	<MDD, MDC>

PCB3	JL101B	WIRE TRAP	NPLG-11P594	1	25055632	<MDD, MDC>
PCB3	JL5502B	WIRE TRAP	NPLG-7P590	1	25055628	<MDD, MDC>
PCB3	JL6402B	WIRE TRAP	NPLG-3P586	1	25055624	
PCB3	JL6600B	SOCKET	NSCT-7P99	1	25050271	
PCB3	JL6603B	SOCKET	NSCT-9P101	1	25050273	
PCB3	JL6604B	SOCKET	NSCT-4P96	1	25050268	
PCB3	JL6605B	SOCKET	NSCT-5P97	1	25050269	
PCB3	JL8001	JUMPER LEAD	JL4 250 B	1	---	NSP
PCB3	JL8001A	WIRE HOL	NSCT-4P875	1	25051088	
PCB3	JL8002	JUMPER LEAD	JL3 250 B	1	---	NSP
PCB3	JL8002A	WIRE HOL	NSCT-3P874	1	25051087	
PCB3	JL901B	WIRE TRAP	NPLG-5P588	1	25055626	
PCB3	JL9101B	SOCKET	NSCT-6P98	1	25050270	
PCB4	U14	HDMI PC BOARD (NAHDM-9199-1B)				
PCB4						
PCB4	CIRCUIT NO.	PART NAME	DESCRIPTION	Q'TY	PART NO. (SN)	REMARKS
PCB4	Q8001	IC	S-812C50BUC-C5ET2G	1	22242407R2	
PCB4	Q8002	IC	BA33BC0FP	1	22278033DR2RH	
PCB4	Q8002 or	IC	UPC2933TAT-E1-A	(1)	22278033DR2NE	
PCB4	Q8002 or	IC	TA48033AF(TE16L_NQ)	(1)	22278033DR2TO	
PCB4	Q8003	IC	AD8196	1	22242408R2	
PCB4	Q8004	TR ARRAY	UM6K1N	1	226066R2	
PCB4	Q8004 or	TR ARRAY	UPA672T	(1)	226067R2	
PCB4	Q8005	IC	SI8008TM	1	22242323R2	
PCB4	D8001	C-DIODE	1SS226(TE85L_F)	1	223266R2	
PCB4	D8001 or	DIODE	DAN217T146	(1)	223285R2	
PCB4	D8002	C-DIODE	1SS226(TE85L_F)	1	223266R2	
PCB4	D8002 or	DIODE	DAN217T146	(1)	223285R2	
PCB4	D8003	C-DIODE	1SS226(TE85L_F)	1	223266R2	
PCB4	D8003 or	DIODE	DAN217T146	(1)	223285R2	
PCB4	D8004	ZENER D	UDZS5.6B	1	224550560R2	
PCB4	D8005	C-DIODE	1SS355	1	223269R2	
PCB4	D8005 or	C-DIODE	1SS352	(1)	223234R2	
PCB4	D8005 or	C-DIODE	KDS4148U	(1)	223283R2	
PCB4	D8005 or	C-DIODE	MA2J111	(1)	223279R2	
PCB4	D8006	C-DIODE	CRS09(TE85L_Q)	1	223274R2	
PCB4	L8001	CHOKE COIL	LBC2518T4R7M	1	231364M047R2	
PCB4	L8002	CHOKE COIL	LBC2518T2R2M	1	231364M022R2	
PCB4	L8003	CORE	DLP2ADN900HL4L	1	230990R2	
PCB4	L8004	CORE	DLP2ADN900HL4L	1	230990R2	
PCB4	L8005	CHOKE COIL	LBC2518T4R7M	1	231364M047R2	
PCB4	L8006	CHOKE COIL	NCH-2541	1	231363K470	
PCB4	L8007	CHOKE COIL	BLM21PG221SN1	1	230949R2	
PCB4	C8001	CHIP ELECT C	CEWT16V-470M	1	395744717R2	
PCB4	C8002	C-CERA C	CK725F1A-105Z1	1	332181050R1	
PCB4	C8003	CHIP ELECT C	CEWX16V-22M	1	398142207R2	
PCB4	C8004	C-CERA C	CK725F1E-104Z1	1	332161040R1	
PCB4	C8005	C-CERA C	CK725F1E-104Z1	1	332161040R1	
PCB4	C8007	C-CERA C	CC725CH1H-471J1	1	342104714R1	
PCB4	C8008	CHIP ELECT C	CEWT16V-470M	1	395744717R2	

PCB4	C8009	CHIP ELECT C	CEWX4V-220M	1	3981G2217R2
PCB4	C8010	C-CERA C	CK725B1H-102K1	1	332101025R1
PCB4	C8011	C-CERA C	CK725F1E-104Z1	1	332161040R1
PCB4	C8012	CHIP ELECT C	CEWX4V-22M	1	3981G2207R2
PCB4	C8013	C-CERA C	CK725F1A-105Z1	1	332181050R1
PCB4	C8014	C-CERA C	CK725B1H-102K1	1	332101025R1
PCB4	C8015	C-CERA C	CK725F1A-105Z1	1	332181050R1
PCB4	C8016	C-CERA C	CK725B1H-102K1	1	332101025R1
PCB4	C8017	C-CERA C	CK725F1A-105Z1	1	332181050R1
PCB4	C8018	C-CERA C	CK725B1H-102K1	1	332101025R1
PCB4	C8019	C-CERA C	CK725F1A-105Z1	1	332181050R1
PCB4	C8020	C-CERA C	CK725B1H-102K1	1	332101025R1
PCB4	C8021	C-CERA C	CK725F1A-105Z1	1	332181050R1
PCB4	C8022	C-CERA C	CK725B1H-102K1	1	332101025R1
PCB4	C8023	C-CERA C	CK725F1A-105Z1	1	332181050R1
PCB4	C8024	C-CERA C	CK725B1H-102K1	1	332101025R1
PCB4	C8025	C-CERA C	CK725F1A-105Z1	1	332181050R1
PCB4	C8026	C-CERA C	CK725B1H-102K1	1	332101025R1
PCB4	C8027	C-CERA C	CK725F1A-105Z1	1	332181050R1
PCB4	C8028	C-CERA C	CK725B1H-102K1	1	332101025R1
PCB4	C8029	CHIP ELECT C	CEWX4V-22M	1	3981G2207R2
PCB4	C8030	C-CERA C	CK725F1A-105Z1	1	332181050R1
PCB4	C8031	C-CERA C	CK725F1E-104Z1	1	332161040R1
PCB4	C8032	C-CERA C	CK725F1A-105Z1	1	332181050R1
PCB4	C8033	C-CERA C	CK725B1H-102K1	1	332101025R1
PCB4	C8034	C-CERA C	CK725F1A-105Z1	1	332181050R1
PCB4	C8035	C-CERA C	CK725B1H-102K1	1	332101025R1
PCB4	C8036	C-CERA C	CK725F1A-105Z1	1	332181050R1
PCB4	C8037	C-CERA C	CK725B1H-102K1	1	332101025R1
PCB4	C8038	C-CERA C	CK725F1A-105Z1	1	332181050R1
PCB4	C8039	C-CERA C	CK725F1E-104Z1	1	332161040R1
PCB4	C8040	C-CERA C	CK725F1E-104Z1	1	332161040R1
PCB4	C8041	C-CERA C	CK725F1E-104Z1	1	332161040R1
PCB4	C8042	C-CERA C	CK725F1E-104Z1	1	332161040R1
PCB4	R8001	C-CARBON R	RN72K1J-103JE	1	435031034R1
PCB4	R8002	C-CARBON R	RN72K1J-562JE	1	435035624R1
PCB4	R8005	C-CARBON R	RN72K1J-103JE	1	435031034R1
PCB4	R8006	C-CARBON R	RN72K1J-103JE	1	435031034R1
PCB4	R8007	C-CARBON R	RN72K1J-103JE	1	435031034R1
PCB4	R8008	C-CARBON R	RN72K1J-102JE	1	435031024R1
PCB4	R8009	C-CARBON R	RN72K1J-182JE	1	435031824R1
PCB4	R8010	C-CARBON R	RN72K1J-102JE	1	435031024R1
PCB4	R8011	METAL R	RNU1/2WCJ-5.6	1	453530564T
PCB4	R8012	C-CARBON R	RN72K1J-000JE	1	435030004R1
PCB4	R8013	C-CARBON R	RN72K1J-000JE	1	435030004R1
PCB4	R8019	C-CARBON R	RN72K1J-000JE	1	435030004R1
PCB4	R8020	C-CARBON R	RN72K1J-103JE	1	435031034R1
PCB4	R8021	C-CARBON R	RN72K1J-102JE	1	435031024R1
PCB4	R8022	C-CARBON R	RN72K1J-102JE	1	435031024R1
PCB4	R8023	C-CARBON R	RN72K1J-000JE	1	435030004R1
PCB4	R8024	C-CARBON R	RN72K1J-000JE	1	435030004R1

PCB4	R8025	C-CARBON R	RN72K1J-000JE	1	435030004R1	
PCB4	R8026	C-CARBON R	RN72K1J-000JE	1	435030004R1	
PCB4	R8027	C-CARBON R	RN72K1J-472JE	1	435034724R1	
PCB4	R8028	C-CARBON R	RN72K1J-472JE	1	435034724R1	
PCB4	R8029	C-CARBON R	RN72K1J-472JE	1	435034724R1	
PCB4	R8030	C-CARBON R	RN72K1J-103JE	1	435031034R1	
PCB4	R8031	C-CARBON R	RN72K1J-103JE	1	435031034R1	
PCB4	R8032	C-CARBON R	RN72K1J-152JE	1	435031524R1	
PCB4	R8034	C-CARBON R	RN72K1J-152JE	1	435031524R1	
PCB4	P8002	SOCKET	CSS5019-0311F	1	25053198R2	
PCB4	P8003	SOCKET	CSS5019-0311F	1	25053198R2	
PCB4	P8004	SOCKET	CSS5019-0311F	1	25053198R2	
PCB4	JL8001B	WIRE TRAP	NPLG-4P587	1	25055625	
PCB4	JL8002B	WIRE TRAP	NPLG-3P586	1	25055624	

TX-SR575

PACKING PROCEDURE PARTS LIST

	REF. NO.	PART NAME	DESCRIPTION	Q'TY	PART NO. (SN)	REMARKS
PV	A601	PAD	L & R Iset	1	29092351	
PV	A603	POLY BAG	POLY BAG(850 x 650)	1	29100034-1A	
PV	A605	TAPE	(SEROHAN)NITTO NO.29	(1)	29110149	
PV	A606	PP TAPE	W48 OPP TAPE	(1)	29110148	
PV	A650	CARTON	TXSR575(B)MDD	1	29054661B	(B) <MDD>
PV	A650	CARTON	TXSR575(B)MDC	1	29054662B	(B) <MDC>
PV	A650	CARTON	TXSR575(B)MPA	1	29054663	(B) <MPA>
PV	A650	CARTON	TXSR575(S)MDC	1	29054664B	(S) <MDC>
PV	A650	CARTON	TXSR575(S)MPA	1	29054665	(S) <MPA>
PV	A655	UPC LABEL	TX-SR575B	1	29364784	(B) <MDD>
PV	A655	UPC LABEL	TX-SR575B	1	29364784	(B) <MDC>
PV	A655	EAN LABEL	TX-SR575B	1	29364780	(B) <MPA>
PV	A655	UPC LABEL	TX-SR575S	1	29364785	(S) <MDC>
PV	A655	EAN LABEL	TX-SR575S	1	29364781	(S) <MPA>
PV	A660	POLY BAG	350 x 250	1	29100097-1B	
PV	A801	INS MANUAL	En(TX-SR505/505E/8550/5'	1	29344406	
PV	A802	INS MANUAL	En(QSS_TX-SR575/505E)	1	29344423	
PV	A803	INS MANUAL	En(505/550/575_XM/SIRIU	1	29344415A	<MDD>
PV	A803	INS MANUAL	En(505/550/575_XM/SIRIU	1	29344415A	<MDC>
PV	A805	INS MANUAL	FrEs(TX-SR505/505E/575)	1	29344408	<MDC>
PV	A806	INS MANUAL	FrEs(505/550/575_XM/SIRI	1	29344425A	<MDC>
PV	A809	INST SHEET	En(XM RADIO)	1	29355602	<MDD>
PV	A809	INST SHEET	En(XM RADIO)	1	29355602	<MDC>
PV	A810	INS MANUAL	U9(RC-681/682/683/684)	1	29344414	
PV	A811	REMO CON	RC-681M	1	24140681	
PV	A812	BATTERY	R6/AA(UM-3)	2	3010194	
PV	A812 or	BATTERY	R6/AA(UM-3)	(2)	3010054	
PV	A813	HANDBILL	(DS-A2)US	1	29380145	<MDD>
PV	A813	HANDBILL	(DS-A2)US	1	29380145	<MDC>
PV	A813	HANDBILL	(DS-A2)AUS	1	29380147A	<MPA>
PV	A814	WRNTY CARD	(ONKYO)	1	29365102A	<MDD>
PV	A814	WRNTY CARD	(ONKYO)	1	29365102A	<MDC>

PV	A815	POLY BAG	250 x 300 x W300	1	29100218A
PV	A816	LABEL	(SP CABLE)	1	29363059A
PV	A817	TAPE	(SEROHAN)NITTO NO.29	(1)	29110149
PV	A820	ANT COIL	NMA-3057	1	232140
PV	A821	FM ANT AS	Type W	1	292191
PV	A822	MIC AS (SETUP MIC)	MIC-5000	1	1B068MIC
PV	A833	TRM	(WRENCH)	1	25060468

Integra Research Division of

ONKYO CORPORATION

Sales & Product Planning Div. : 2-1, Nisshin-cho, Neyagawa-shi, OSAKA 572-8540, JAPAN
Tel: 072-831-8023 Fax: 072-831-8124 <http://www.onkyo.com/>

Integra Research Division of

ONKYO U.S.A. CORPORATION

18 Park Way, Upper Saddle River, N.J. 07458, U.S.A.
Tel: 201-785-2600 Fax: 201-785-2650 <http://www.integraresearch.com>

ONKYO EUROPE ELECTRONICS GmbH

Liegnitzerstrasse 6, 82194 Groebenzell, GERMANY
Tel: +49-8142-4401-0 Fax: +49-8142-4401-555 <http://www.onkyo.net>

ONKYO EUROPE UK Office

Suite 1, Gregories Court, Gregories Road, Beaconsfield, Buckinghamshire, HP9 1HQ
UNITED KINGDOM Tel: +44-(0)1494-681515 Fax: +44(0)-1494-680452

ONKYO CHINA LIMITED

Units 2102-2107, Metroplaza Tower I, 223 Hing Fong Road, Kwai Chung, N.T., HONG KONG
Tel: 852-2429-3118 Fax: 852-2428-9039 <http://www.onkyochina.com>