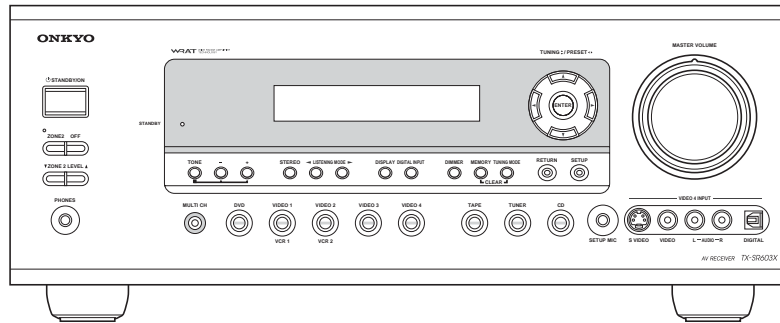


ONKYO SERVICE MANUAL

AV RECEIVER MODEL TX-SR603X




RC-623M

Black and Silver models

B MDD	120V AC, 60Hz	---	---
B MDC	120V AC, 60Hz	S MDC	120V AC, 60Hz

SAFETY-RELATED COMPONENT WARNING!!

COMPONENTS IDENTIFIED BY MARK  ON THE SCHEMATIC DIAGRAM AND IN THE PARTS LIST ARE CRITICAL FOR RISK OF FIRE AND ELECTRIC SHOCK. REPLACE THESE COMPONENTS WITH ONKYO PARTS WHOSE PART NUMBERS APPEAR AS SHOWN IN THIS MANUAL.

MAKE LEAKAGE-CURRENT OR RESISTANCE MEASUREMENTS TO DETERMINE THAT EXPOSED PARTS ARE ACCEPTABLY INSULATED FROM THE SUPPLY CIRCUIT BEFORE RETURNING THE APPLIANCE TO THE CUSTOMER.

SPECIFICATIONS

■ Amplifier Section

Power Output	90 W + 90 W
2 channel driven:	(8 Ω , 20 Hz - 20 kHz, FTC)
Dynamic Power	225 W + 225 W (3 Ω , Front) 175 W + 175 W (4 Ω , Front) 105 W + 105 W (8 Ω , Front)
THD (Total Harmonic Distortion)	0.08 % (Power Rated)
Damping Factor	60 (Front, 1 kHz, 8 Ω)
Input Sensitivity and Impedance	200 mV/47 kΩ (LINE)
Output Level and Impedance	200 mV/470 Ω (REC OUT)
Frequency Response	10 Hz - 100 kHz/+1 dB-3 dB (Direct mode)
Tone Control	+/- 10 dB, 50 Hz (BASS) +/- 10 dB, 20 kHz (TREBLE)
SN Ratio	106 dB (LINE IHF-A)
Speaker Impedance	6 Ω

■ Video Section

Input Sensitivity/Output Level and Impedance	1 Vp-p/75 Ω (Component and S-Video Y) 0.7 Vp-p/75 Ω (Component Pb/Cb, Pr/Cr) 0.28 Vp-p/75 Ω (S-Video C) 1 Vp-p/75 Ω (Composite)
Component Video Frequency Response	5 Hz - 50 MHz

■ Tuner Section

FM

Tuning Frequency Range	87.5 MHz - 107.9 MHz
Usable Sensitivity	Stereo: 22.2 dBf (75 Ω IHF) Mono: 11.2 dBf (75 Ω IHF)
S/N Ratio	Stereo: 67 dB (IHF-A) Mono: 73 dB (IHF-A)
THD	Stereo: 0.5 % (1 kHz) Mono: 0.3 % (1 kHz)
Frequency Response	30 Hz - 15 kHz +/-1 dB
Stereo Separation	40 dB (1kHz)

AM

Tuning Frequency Range	530 kHz - 1710 kHz
Usable Sensitivity	300 μV
S/N Ratio	40 dB
THD	0.70%

■ General

Power Supply	AC 120 V, 60 Hz
Power Consumption	7A
Stand-by Power Consumption	0.1 W
Dimensions (W x H x D)	435 W x 174 H x 377 D mm 17-1/8" W x 6-7/8" H x 14-13/16" D
Weight	11.0 kg 24.3 lbs

Video Inputs

Component Video Input	1, 2, 3
S-Video Compatible Jack Input	DVD, VIDEO1, VIDEO2, VIDEO3, VIDEO4
A/V Input	DVD, VIDEO1, VIDEO2, VIDEO3, VIDEO4

Video Outputs

Component Video Output	OUT
S-Video Compatible Jack Output	MONITOR OUT, VIDEO1, VIDEO2
A/V Output	MONITOR OUT, VIDEO1, VIDEO2

Audio Inputs

Digital Inputs	Optical: 4 Coaxial: 2
Analog Inputs	DVD(MULTICHANNEL), VIDEO1, VIDEO2, VIDEO3, VIDEO4, TAPE, CD
Multichannel Inputs	6

Audio Outputs

Digital Outputs	Optical: 1
Analog Outputs	TAPE, VIDEO1, VIDEO2, ZONE2
Subwoofer Pre Outputs	1
Speaker Outputs	9
Phones	1


Other Jacks

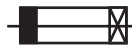
IR Input	1
12V Trigger Out	1

Specifications and features are subject to change without notice.

SERVICE PROCEDURE

1. Replacing the fuses

 This symbol located near the fuse indicates that the fuse used is slow operating type. For continued protection against fire hazard, replace with same type fuse. For fuse rating, refer to the marking adjacent to the symbol.

 Ce symbole indique que le fusible utilisé est à action lente. Pour une protection permanente, n'utiliser que des fusibles de même type. Ce dernier est indiqué là où le présent symbole est apposé.

REF NO.	PART NAME	DESCRIPTION	PART NO.	REMARKS
F901	FUSE	10A-UL/T-233	252330GR	!
F903	FUSE	5A-UL/T-233	252326GR	!
F6901	FUSE	12A-UL/T-314	252196	!
F6901 or	FUSE	12A-TUL-250V	252301GR	!
F6902	FUSE	12A-UL/T-314	252196	!
F6902 or	FUSE	12A-TUL-250V	252301GR	!
F9501	FUSE	4A-UL/T-233	252325GR	!

2. To initialize the unit

1. Press and hold down the VIDEO 1/VCR button, then press the STANDBY/ON button when the unit is Power on.
2. After "Clear" is displayed, the preset memory and each mode stored in the memory, are initialized and will return to the factory settings.

3. To check version of microprocessor

Main microprocessor Q701 only.

1. Press and hold down the DISPLAY button, then press the STANDBY/ON button when the unit is Power on. Version is displayed on FL display only for 3 seconds.

Ex.

Ver. 1.00/05810a

2. Press the STANDBY/ON button to Power off.

4. Memory Backup

The AV receiver uses a battery-less memory backup system in order to retain radio presets and other settings when it's unplugged or in the case of a power failure.

Although no batteries are required, the AV receiver must be plugged into an AC outlet in order to charge the backup system. Once it has been charged, the AV receiver will retain the settings for several weeks, although this depends on the environment and will be shorter in humid climates.

OPERATION CHECK-1

SPEAKER PROTECT-1 (DC VOLTAGE DETECTION)

[When]

1. Exchange power transistors (Q6050 - Q6066).
2. Exchange amplifier PC board ass'y (NAAF-8523).

[Procedure]

<Note>

No load. No input.

1. Press and the hold down the CD button, then press the STANDBY/ON button when the unit is Power ON.
" Test - _ " is displays it only for 5 seconds.

Test - _ Blinks

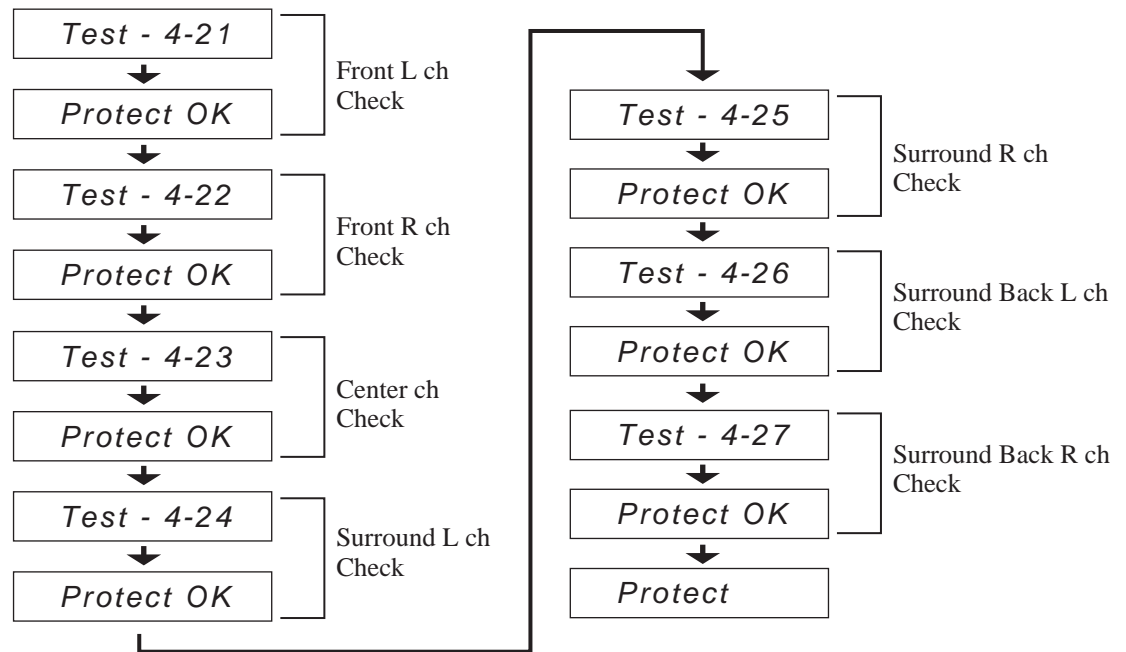
2. Press the VIDEO 3 button, while the character of " Test - _ " is displayed.
Unit will be in the state of " Test-4-00 ".

Test - 4-00

3. Repeatedly press TONE+ button until the character of " Test-4-21 " is displayed.

Test - 4-21

Checking the operation starts automatically as follows.



If all channel are OK, the character of " Test - 4 - 35 " is displayed.

Test - 4-35

4. Press the STANDBY/ON button.



OPERATION CHECK-2

SPEAKER PROTECT-2 (CURRENT DETECTION)

[When]

1. Exchange power transistors (Q6050 - Q6066).
2. Exchange amplifier PC board ass'y (NAAF-8523).

[Procedure]

<Note>

No input.

Do not check two or more channels at the same time.

Do not connect dummy load to speaker terminals for seconds 2 or more.

1. Press and the hold down the CD button, then press the STANDBY/ON button when the unit is Power ON.
" *Test - _* " is displays it only for 5 seconds.

Test - _ Blinks

2. Press the VIDEO 3 button, while the character of " *Test - _* " is displayed.
Unit will be in the state of " *Test-4-00* ".

Test - 4-00

3. Repeatedly press TONE+ button until the character of " *Test-4-35* " is displayed.

Test - 4-35

4. Connect the Dummy load of 3 ohms to the Front Lch speakers terminal.
At this time, check the speaker relay is not turned off.

Test - 4-35

5. Connect the dummy load of 1 ohm to the Front Lch speakers terminal.
At that time, you check the speaker relay is turned off and " *Protect* " is displayed.

Protect

Disconnect the dummy load at once when check the display of " *Protect* ".

Test - 4-35

6. Check other channels according to the same procedure.

7. Press the STANDBY/ON button.

Clear → Turn off

OPERATION CHECK-3

CONTROL OF POWER SUPPLY (OUTPUT SENSOR AND THERMAL SENSOR)

[When]

1. Exchange power transistors (Q6050 - Q6066).
2. Exchange power amplifier PC board ass'y (NAAF-8523).
3. Exchange thermal sensor PC board ass'y (NAETC-8526).

[Procedure]

<Note>

No output. No input.

Output sensor

1. Press and the hold down the CD button, then press the STANDBY/ON button when the unit is Power ON.
" Test - _ " is displays it only for 5 seconds.

Test - _ Blinks

2. Press the VIDEO 3 button, while the character of " Test - _ " is displayed.
Unit will be in the state of " Test-4-00 ".

Test - 4-00

3. Repeatedly press TONE+ button until the character of " Test-4-37 " is displayed.

Test - 4-37

4. Adjusts MASTER VOLUME to Max. position.
At this time, check the character of " FM STEREO " displayed.
And, check relay RL6901 and RL6902 are turned off in 2 - 3 seconds.

Test - 4-37 FM STEREO

5. Press the STANDBY/ON button.

Clear → Turn off

Thermal sensor

1. Press and hold down the DISPLAY button, then press the STANDBY/ON button when the unit is power ON.
" Ver. 1.00/05810a " is displays it only for 2 seconds.

<Ex.> Ver. 1.00/05810a

2. Press the TONE button, while the character of " Ver. 1.00/05810a " is displayed.

<Ex.> T: 25°C/ 77°F

3. Check the displayed temperature is +/-20°C of the ambient temperatures.

4. Press STANDBY/ON button.

Clear → Turn off

OPERATION CHECK-4

DSP DEBUG MODE

Check the operation of the circuit around DSP by the display in this mode.

This information helps to pursue the faulty point.

To set in DSP debug mode

1. Press and hold down the DISPLAY button, then press the STANDBY/ON button when the unit is power ON.

" Ver. 1.00/05810a " is displays it only for 2 seconds.

<Ex.> Ver. 1.00/05810a

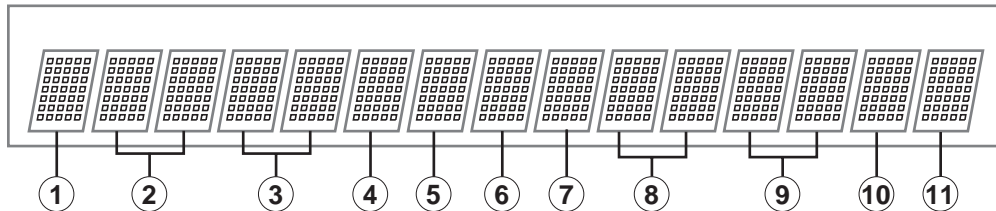
2. Press the DISPLAY button, while the character of " Ver. 1.00/05810a " is displayed.

E1A48K015FF 23o

To exit

Press STANDBY/ON button.

Content of display



----- DIR -----

- ① UNLOCK
E = UNLOCK
= LOCK
- ② Digital Selector
D = DIGITAL
A = ANALOG
1 = COAX1
2 = OOAX2
3 = OPT1
4 = OPT2
5 = OPT3
7 = FRONT
- ③ Sampling Frequency
96 = 96kHz
48 = 48kHz
44 = 44kHz
32 = 32kHz
-- = Not detect
- ④ Pre Emphasis
K = OFF
e = ON
- ⑤ DIR Status
0 = ANALOG
1 = PCM
2 = NOT_PCM
3 = DATA
4 = DTSCD
5 = MCH
6 = NOT DECIED

----- MEMORY/DOWNLOAD -----

- ⑥ AUTOBOOT DSP AB CODE
0 = FLASH
1 = ab_ac3_pl2
2 = ab_dts_pl2
3 = ab_neo6
4 = sgen_ab
5 = ab_pl2fs
6 = ab_dts_6dol
7 = ab_dts9624
8 = aac_pl2
- ⑦ AUTOBOOT DSP C CODE
0 = ac_dts9624
1 = c_neo6
2 = c_oos_no_sd
3 = c_oos
4 = c_oob
5 = c_pl2
6 = c_pl2xthx
7 = c_thx
8 = c_spsetup
9 = version

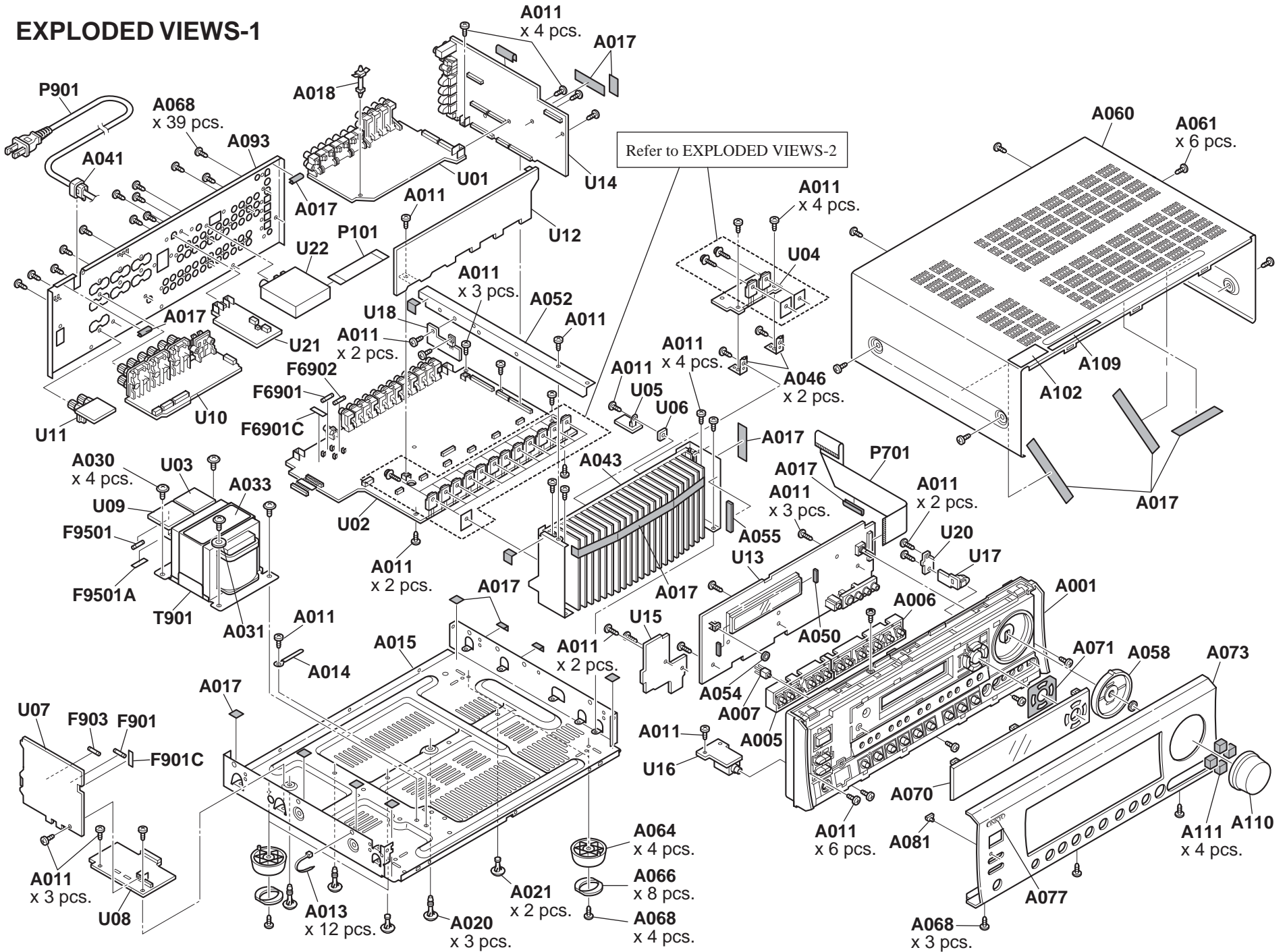
----- DSP -----

- ⑧ DSP Status
00 = Power off
01 = Power on wait
10 = DSP reset
11 = DSP reset wait
12 = DSP AB boot ready
13 = DSP AB boot start
14 = DSP AB boot
15 = DSP C boot ready
16 = DSP C boot start
17 = DSP C boot
18 = DSP soft reset
20 = DSP C app start
21 = DSP C HW Config set
22 - 2A = DSP C SW Config set
3F = DSP C kick start
40 = DSP AB App start
41 = DSP AB HW Config set
42 - 4B = DSP AB SW Config set
AF = DSP ab kick start
- ⑨ DSP Detect Format
00 = Null
01 = Dolby Digital
03 = Pause
04 = MPEG1 L1
05 = MPEG1 L23/ MPEG2 w/o
06 = MPEG2 w/e
07 = MPEG2 AAC
08 = MPEG2 L1
09 = MPEG2 L2/3
0B = DTS1
0C = DTS2
0D = DTS3
1B = MPEG2 AAC1
1C = MPEG2 AAC2
20 = Silent
22 = DTS CD
23 = PCM
- ⑩ DSP Decode
o = Decode OK x = Decode NG - = Analog in

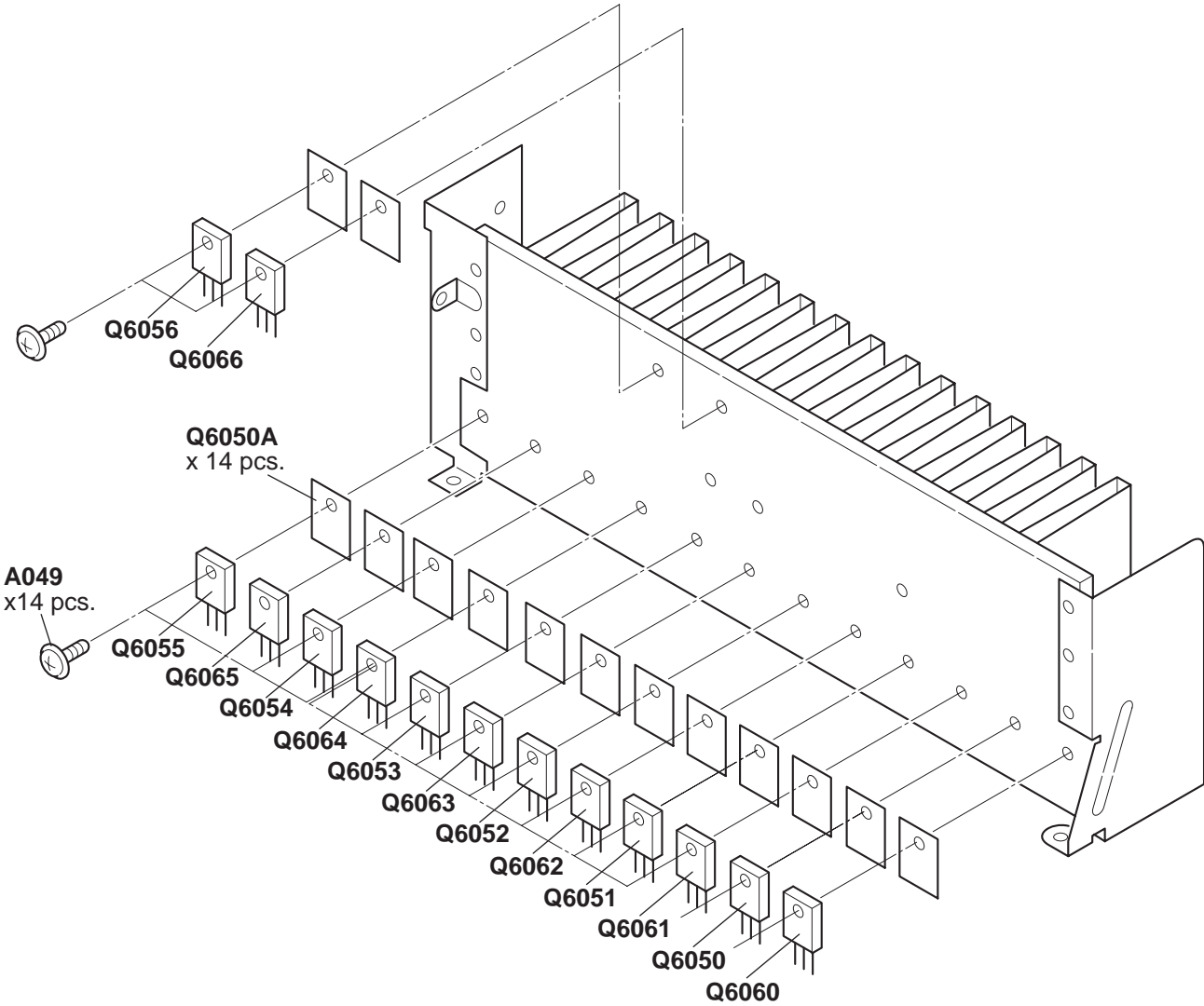
----- MUTE -----

- ⑪ Mute Condition
0 = Mute off
1 = Input selector mute
2 = Parameter selector mute
3 = 1+2
4 = DSP mute
5 = 1+4
6 = 2+4
7 = 1+2+4
8 = DIR mute
9 = 1+8
A = 2+8
B = 1+2+8
C = 4+8
D = 1+4+8
E = 2+4+8
F = 1+2+4+8

EXPLODED VIEWS-1



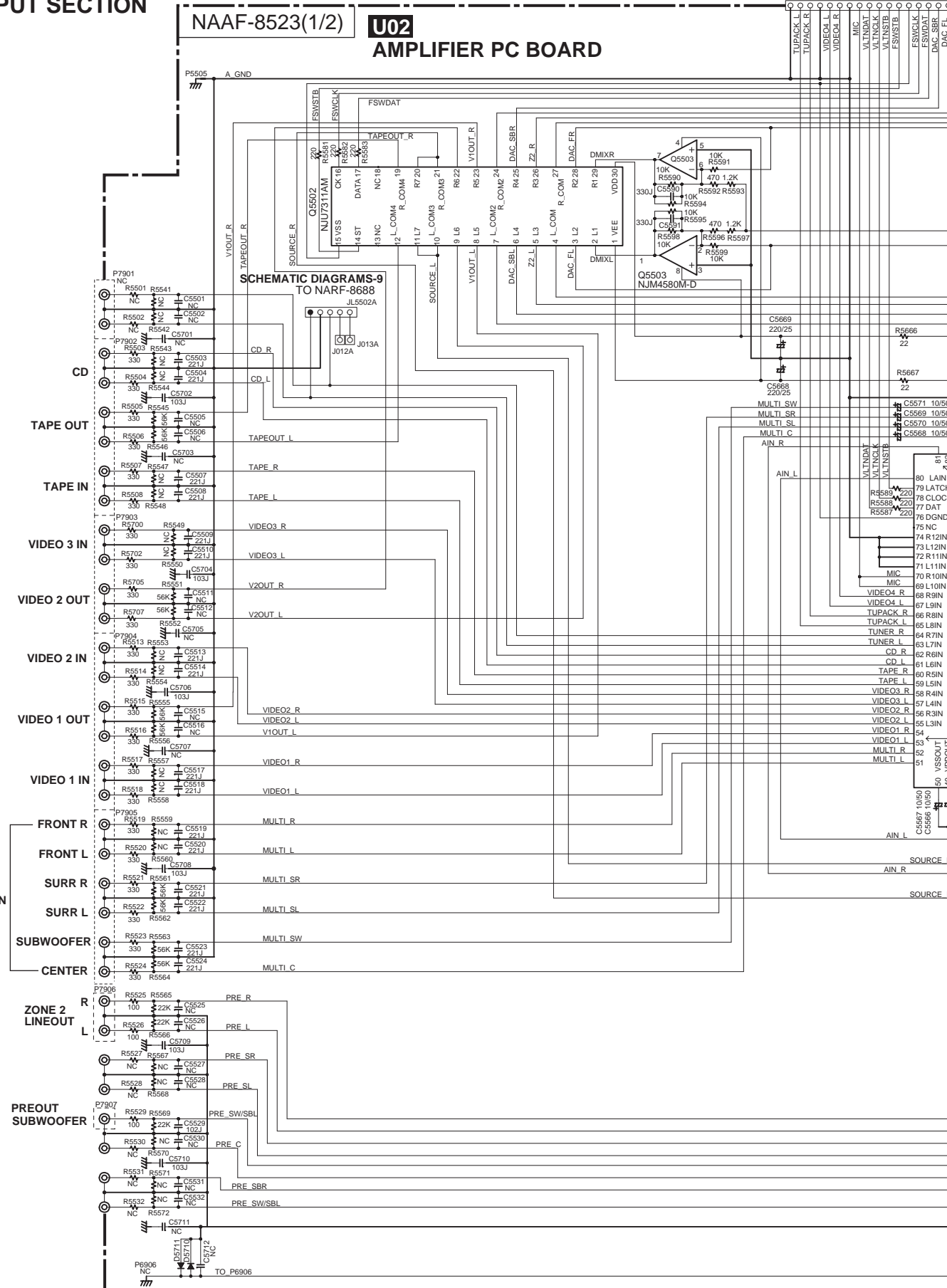
EXPLODED VIEWS-2



SCHEMATIC DIAGRAMS-1
AUDIO INPUT SECTION

SCHEMATIC TO NARF-8688

1
2
3
4
5



E

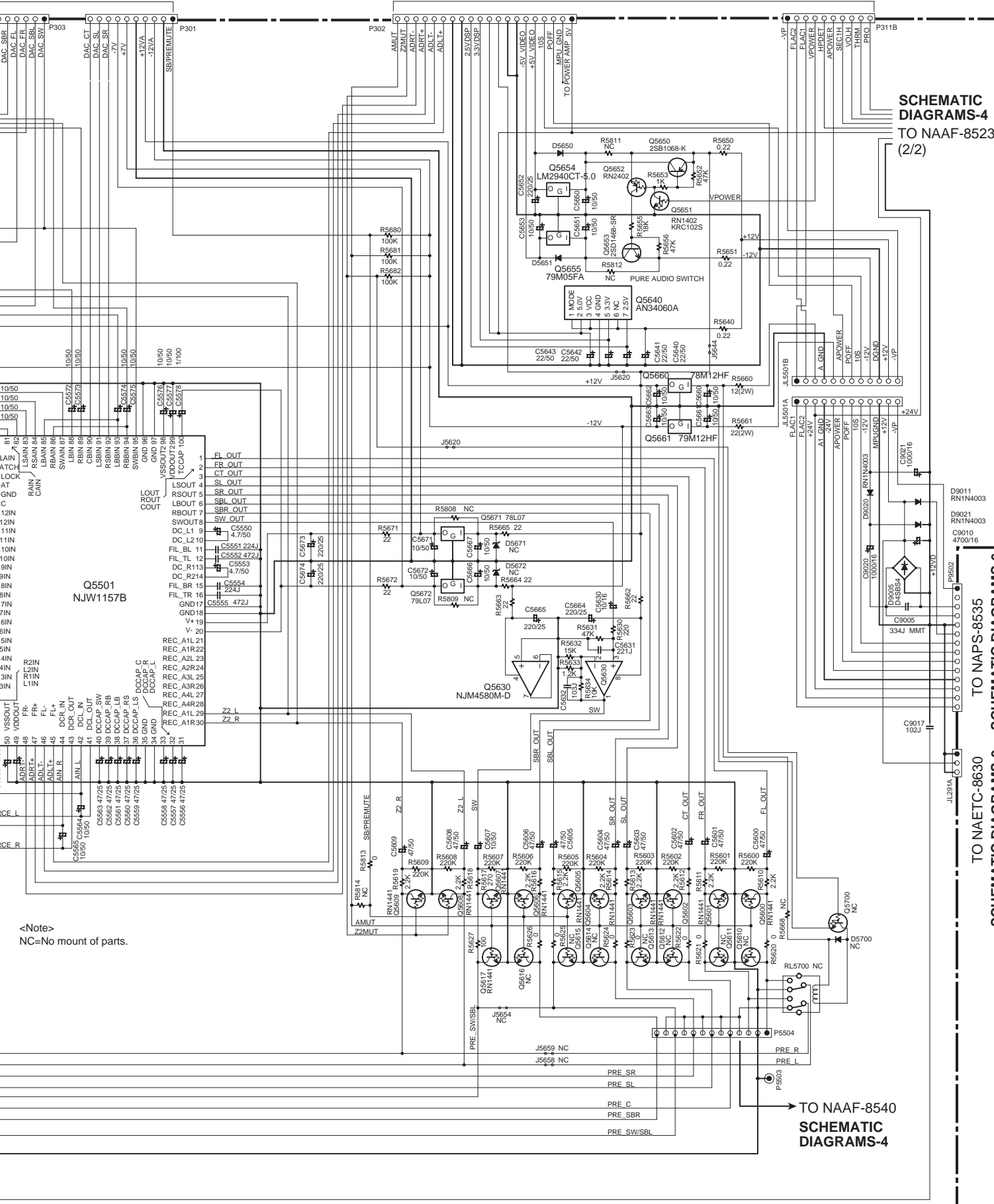
F

G

H

SCHEMATIC DIAGRAMS-2
TO NADG-8626

SCHEMATIC DIAGRAMS-2
TO NADG-8626



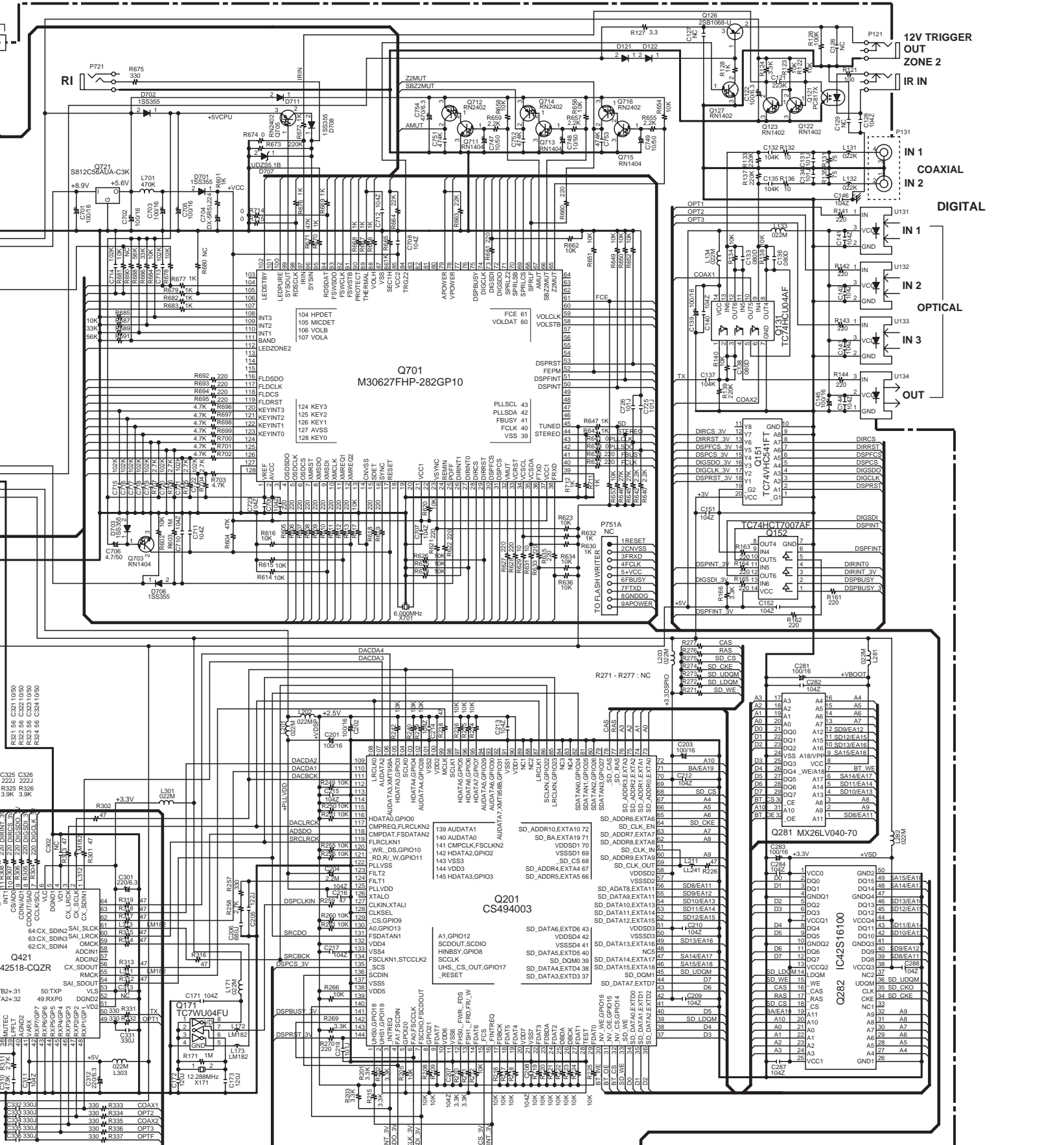
SCHEMATIC DIAGRAMS-4
TO NAAF-8523
(2/2)

SCHEMATIC DIAGRAMS-6
TO NAPS-8535

SCHEMATIC DIAGRAMS-9
TO NAETC-8630

SCHEMATIC DIAGRAMS-4
TO NAAF-8540

<Ntc>
NC=No mount of parts.



A

B

C

D

**SCHEMATIC DIAGRAMS-3
DRIVER AMPLIFIER SECTION**

1

Refer to following table about the parts displayed by mark " * ".

Transistors

CIRCUIT NO.	DESCRIPTION
Q5000 - 5002 Q5010 - 5012	2SC2240-BL
Q5003 - 5006 Q5013 - 5016	2SC2240-BL, KTC3200-BL
Q5030 - 5036	2SA949-Y
Q5040 - 5046	2SC2229-Y
Q5050 - 5056	2SC2240-GR, BL

2

NOTE

- THE COMPONENTS IDENTIFIED BY MARK \triangle ARE CRITICAL FOR SAFETY. REPLACE ONLY WITH PART NUMBER SPECIFIED.
- VOLTAGE (MEASURED WITH VOLTMETER) \square IS DC VOLTAGE.(NO INPUT SIGNAL).
- ALL PNP TRANSISTORS ARE EQUIVALENT TO 2SA1015-GR UNLESS OTHERWISE NOTED.
- ALL NPN TRANSISTORS ARE EQUIVALENT TO 2SC1815-GR UNLESS OTHERWISE NOTED.
- ALL DIODES ARE EQUIVALENT TO 1SS133 UNLESS OTHERWISE NOTED.
- ELECTROLYTIC CAPACITORS (---) ARE IN $\mu\text{F/WV}$.
- ALL CAPACITORS ARE IN pF/50WV UNLESS OTHERWISE NOTED.
EX) 030- 3pF 330- 33pF 331- 330pF 333- 0.033 μF
- ALL RESISTORS ARE IN OHMS 1/4WATTS UNLESS OTHERWISE NOTED.
- THE THICK LINES ON PC BOARD ARE THE PRINTING SIDE OF THE PARTS.
EX) \square PRINTING SIDE
- CIRCUIT IS SUBJECT TO CHANGE FOR IMPROVEMENT.

<Note>
NC=No mount of parts.

3

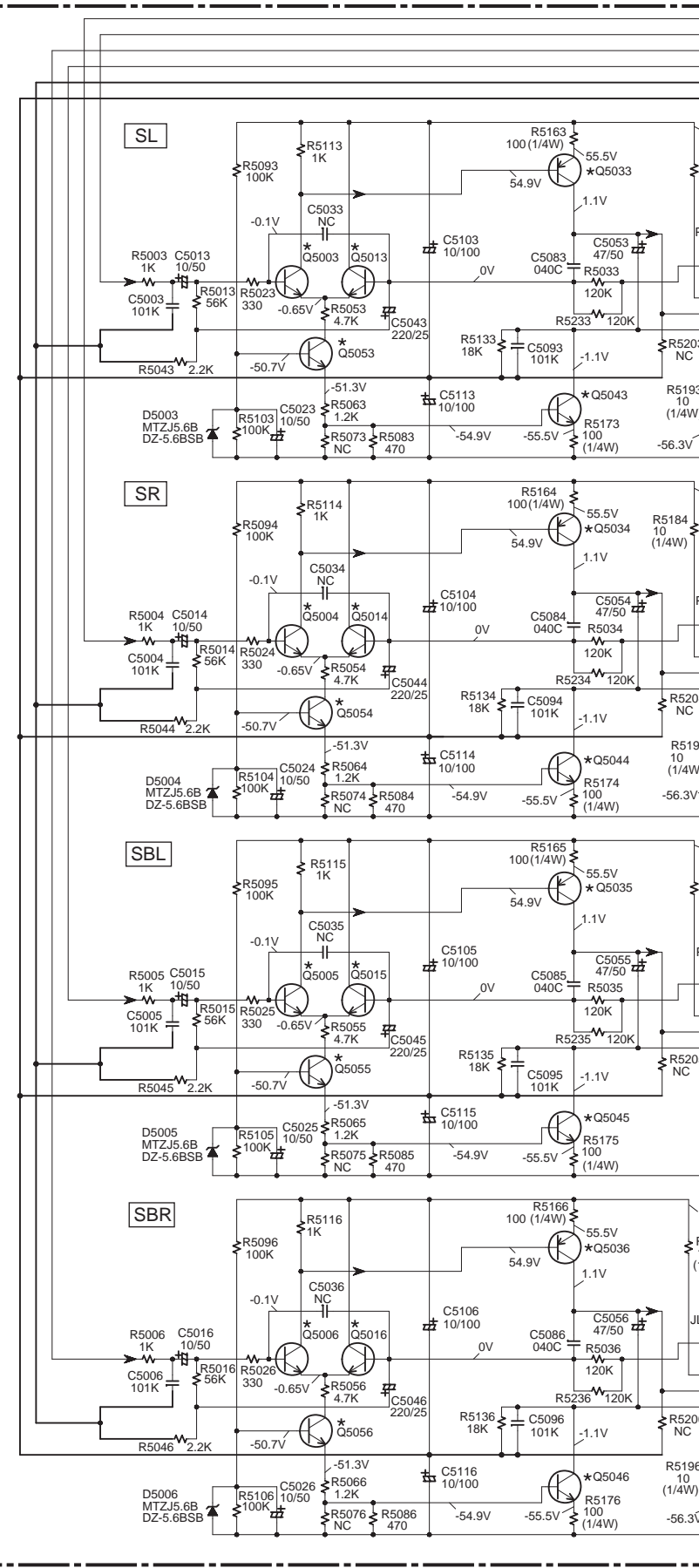
4

5

Refer to following table about the parts displayed by mark " * ".

Transistors

CIRCUIT NO.	DESCRIPTION
Q6016	2SC1740S-S
Q6026	2SC1740S-S
Q6036	2SC5171, 2SC5993-Q, -P
Q6046	2SA1930, 2SA2140-Q, -P
Q6076	2SC2229-Y
Q6056	2SC5242-O, R, MN130S-Y, P, O
Q6066	2SA1962-O,R, MP130S-Y, P, O



E

F

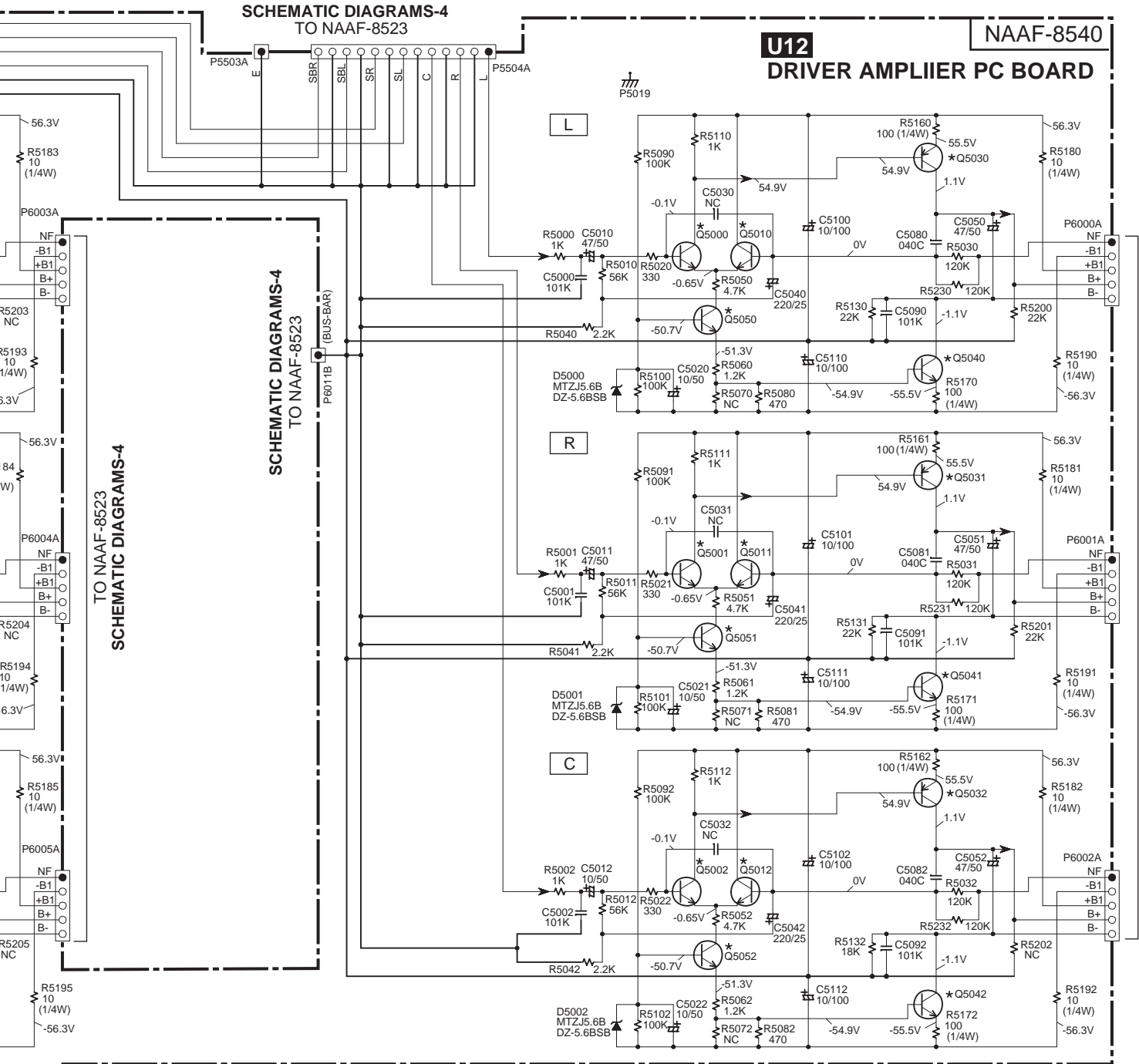
G

H

SCHEMATIC DIAGRAMS-4
TO NAAF-8523

NAAF-8540

U12
DRIVER AMPLIFIER PC BOARD



TO NAAF-8523
SCHEMATIC DIAGRAMS-4

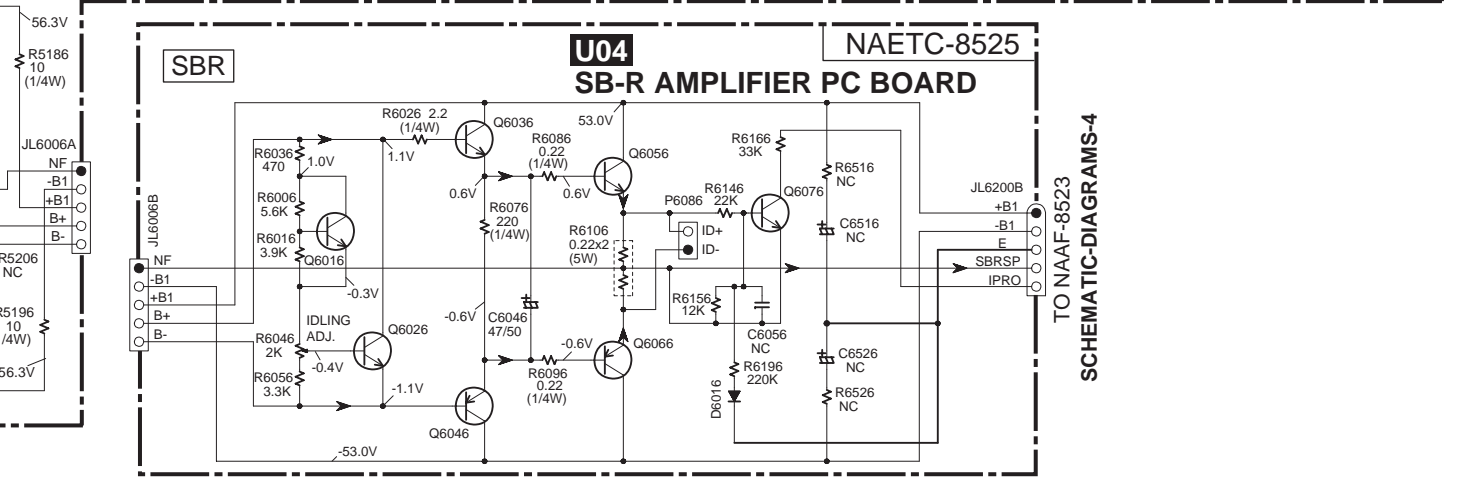
SCHEMATIC DIAGRAMS-4
TO NAAF-8523

TO NAAF-8523
SCHEMATIC DIAGRAMS-4

U04

NAETC-8525

SB-R AMPLIFIER PC BOARD



TO NAAF-8523
SCHEMATIC DIAGRAMS-4

**SCHEMATIC DIAGRAMS-4
POWER AMPLIFIER SECTION**

1

2

3

4

5

Refer to following table about the parts displayed by mark " * ".

Transistors

CIRCUIT NO.	DESCRIPTION
Q6010 - 6016	2SC1740S-S
Q6020 - 6026	2SC1740S-S
Q6030 - 6036	2SC5171, 2SC5993-Q, P
Q6040 - 6046	2SA1930, 2SA2140-Q, P
Q6070 - 6076	2SC2229-Y
Q6701, 6702	2SC2240-GR, BL, KTC3200-GR, BL
Q6703	KTA1268-BL, GR, 2SA992-E, F 2SA1123-R
Q6050 - 6052	2SC5242-O, R
Q6053 - 6055	2SC5242-O, R, MN130S-Y, P, O
Q6060 - 6062	2SA1962-O, R
Q6063 - 6065	2SA1962-O, R, MP130S-Y, P, O
Q6901	2SC2458-GR, 2SC1740S-S, S-R KTC3199-GR

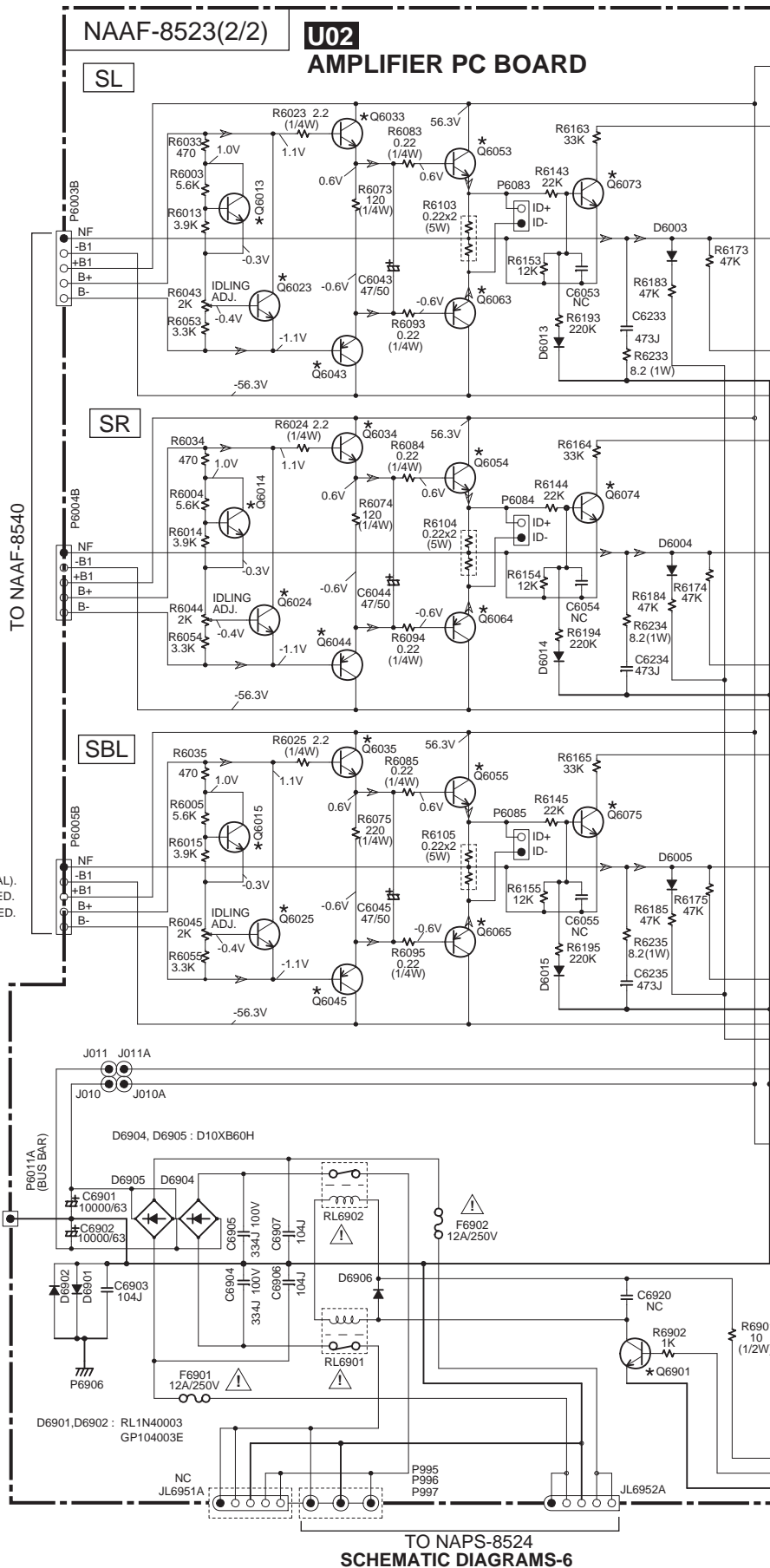
NOTE

- THE COMPONENTS IDENTIFIED BY MARK ARE CRITICAL FOR SAFETY. REPLACE ONLY WITH PART NUMBER SPECIFIED.
- VOLTAGE (MEASURED WITH VOLTMETER) IS DC VOLTAGE (NO INPUT SIGNAL).
- ALL PNP TRANSISTORS ARE EQUIVALENT TO 2SA1015-GR UNLESS OTHERWISE NOTED.
- ALL NPN TRANSISTORS ARE EQUIVALENT TO 2SC1815-GR UNLESS OTHERWISE NOTED.
- ALL DIODES ARE EQUIVALENT TO 1SS133 UNLESS OTHERWISE NOTED.
- ELECTROLYTIC CAPACITORS () ARE IN uF/WV.
- ALL CAPACITORS ARE IN pF/50VWV UNLESS OTHERWISE NOTED.
EX) 030- 3pF 330- 33pF 331- 330pF 333- 0.033uF
- ALL RESISTORS ARE IN OHMS 1/4WATTS UNLESS OTHERWISE NOTED.
- THE THICK LINES ON PC BOARD ARE THE PRINTING SIDE OF THE PARTS.
EX) PRINTING SIDE
- CIRCUIT IS SUBJECT TO CHANGE FOR IMPROVEMENT.

<Note>
NC=No mount of parts.

SCHEMATIC DIAGRAMS-3
TO NAAF-8540

SCHEMATIC DIAGRAMS-3
TO NAAF-8540



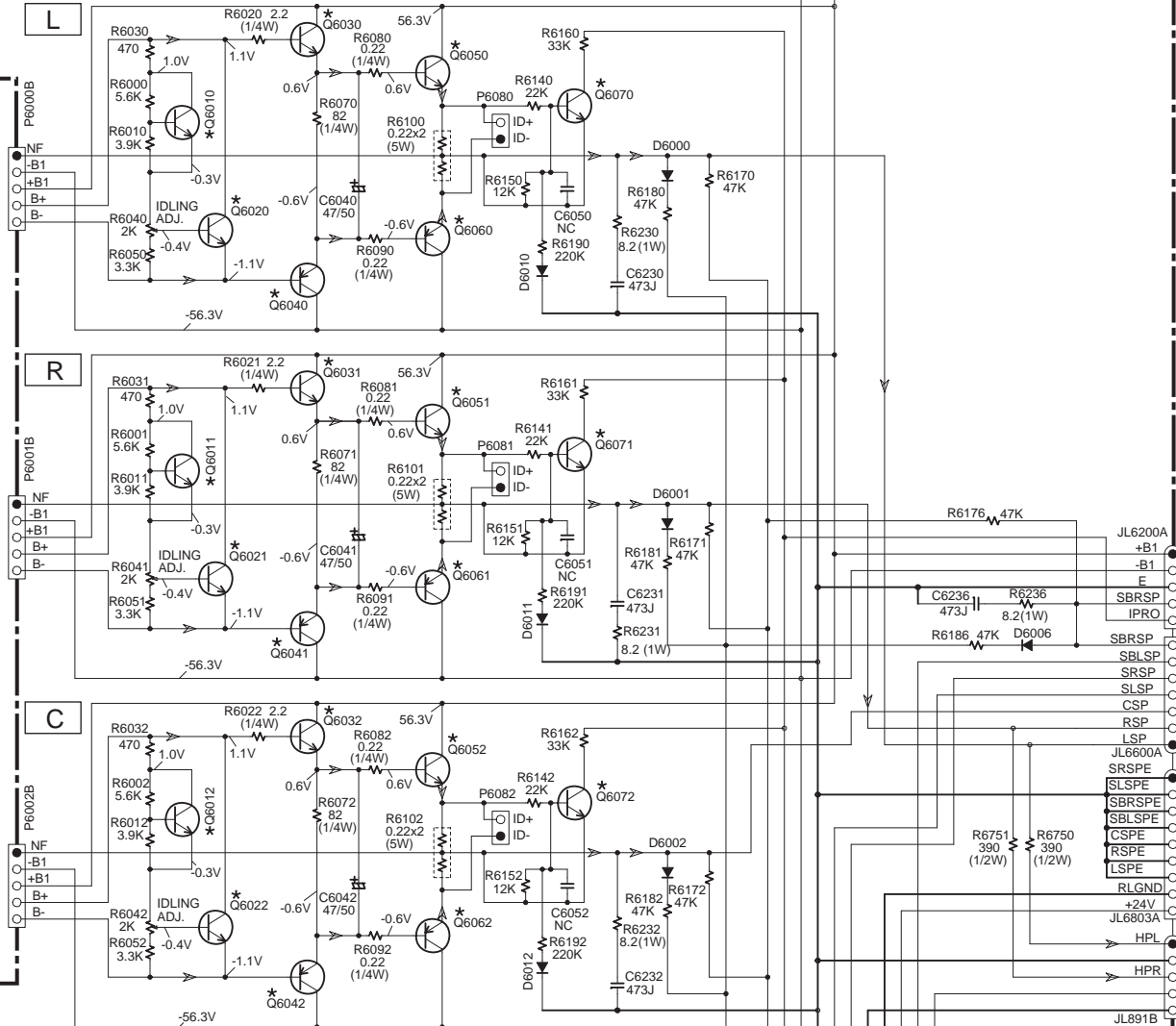
TO NAPS-8524
SCHEMATIC DIAGRAMS-6

SCHEMATIC DIAGRAMS-3 TO NAAF-8540

L

R

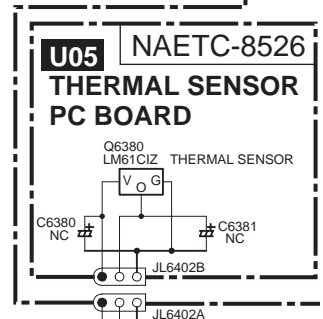
C



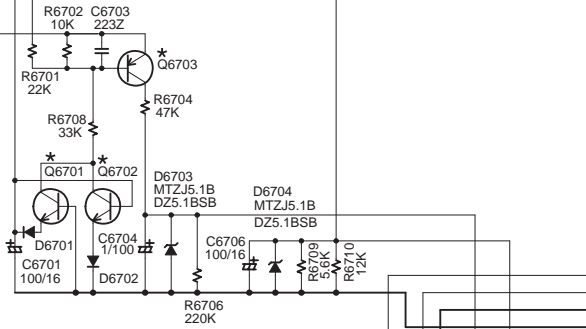
TO NAETC-8525
SCHEMATIC DIAGRAMS-3

TO NAETC-8537
SCHEMATIC DIAGRAMS-5

TO NAETC-8628
SCHEMATIC DIAGRAMS-7



SCHEMATIC DIAGRAMS-1
TO NAAF-8523
(1/2)



R6901
10
1/2W

U05 NAETC-8526
THERMAL SENSOR
PC BOARD

Q6380 LM61CIZ THERMAL SENSOR

C6380 NC C6381 NC

JL6402B JL6402A

HPDET.
5V
+24V
SEC1H
RLGND
MPUGND
VOLH
PRO.
THRM

A

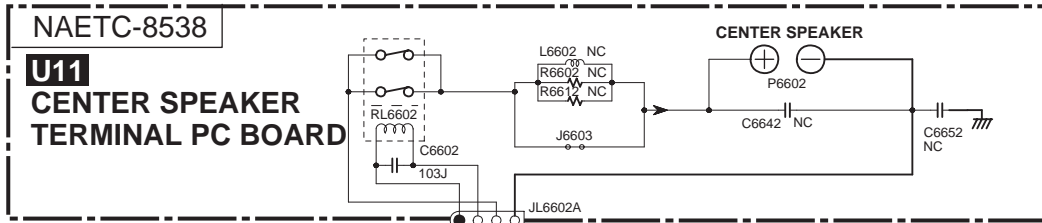
B

C

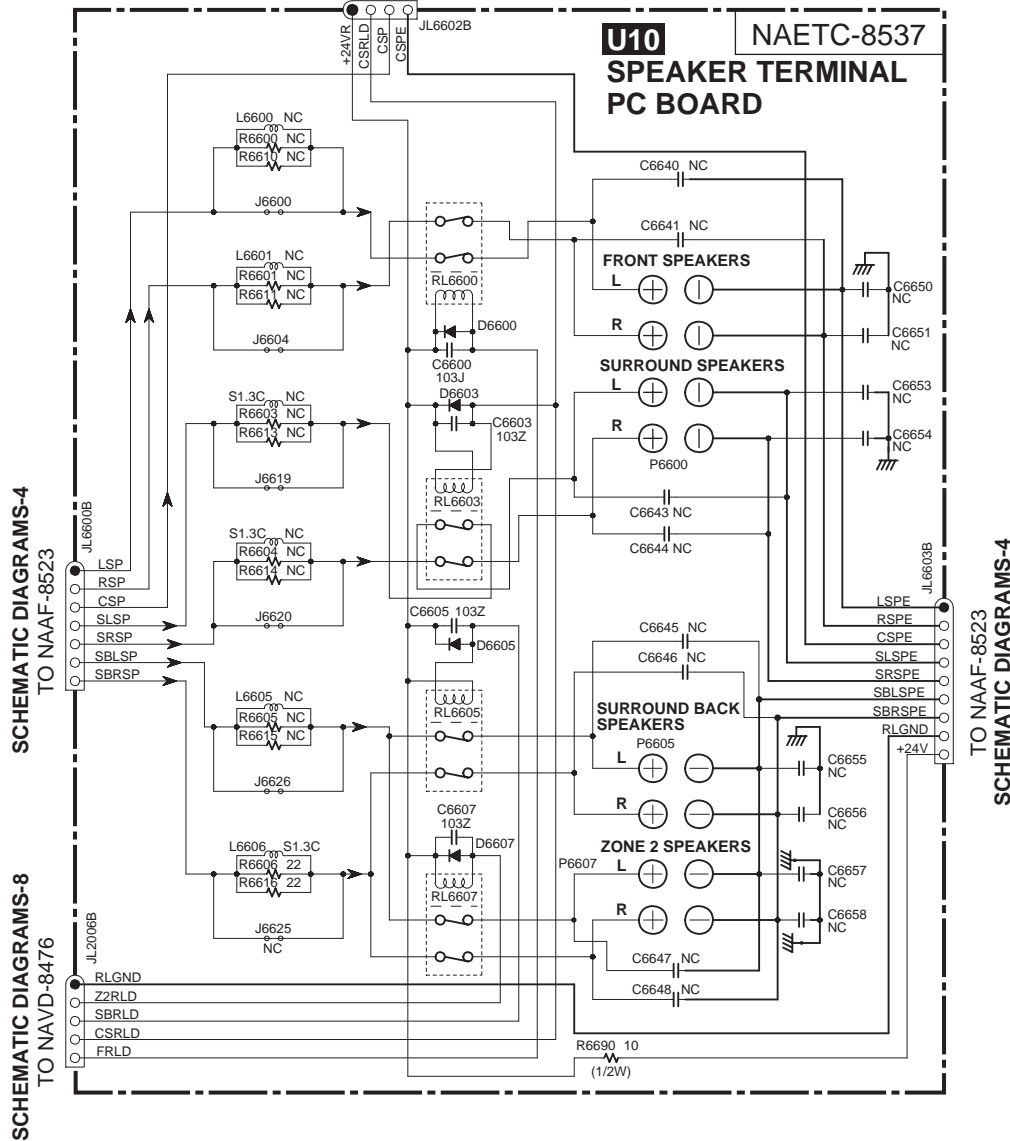
D

SCHEMATIC DIAGRAMS-5 SPEAKER TERMINAL SECTION

1



2



3

4

5

SCHEMATIC DIAGRAMS-4
TO NAAF-8523

SCHEMATIC DIAGRAMS-8
TO NAVD-8476

TO NAAF-8523
SCHEMATIC DIAGRAMS-4

A

B


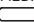
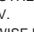

C

D

**SCHEMATIC DIAGRAMS-6
POWER SUPPLY SECTION**

1

NOTE

- THE COMPONENTS IDENTIFIED BY MARK  ARE CRITICAL FOR SAFETY. REPLACE ONLY WITH PART NUMBER SPECIFIED.
- VOLTAGE (MEASURED WITH VOLTMETER)  IS DC VOLTAGE.(NO INPUT SIGNAL).
- ALL PNP TRANSISTORS ARE EQUIVALENT TO 2SA1015-GR UNLESS OTHERWISE NOTED.
- ALL NPN TRANSISTORS ARE EQUIVALENT TO 2SC1815-GR UNLESS OTHERWISE NOTED.
- ALL DIODES ARE EQUIVALENT TO 1SS133 UNLESS OTHERWISE NOTED.
- ELECTROLYTIC CAPACITORS () ARE IN uF/WV.
- ALL CAPACITORS ARE IN pF/50WV UNLESS OTHERWISE NOTED.
EX) 030- 3pF 330- 33pF 331- 330pF 333- 0.033uF
- ALL RESISTORS ARE IN OHMS 1/4WATTS UNLESS OTHERWISE NOTED.
- THE THICK LINES ON PC BOARD ARE THE PRINTING SIDE OF THE PARTS.
EX)  PRINTING SIDE
- CIRCUIT IS SUBJECT TO CHANGE FOR IMPROVEMENT.

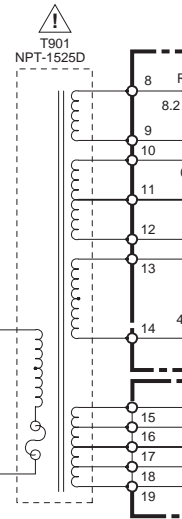
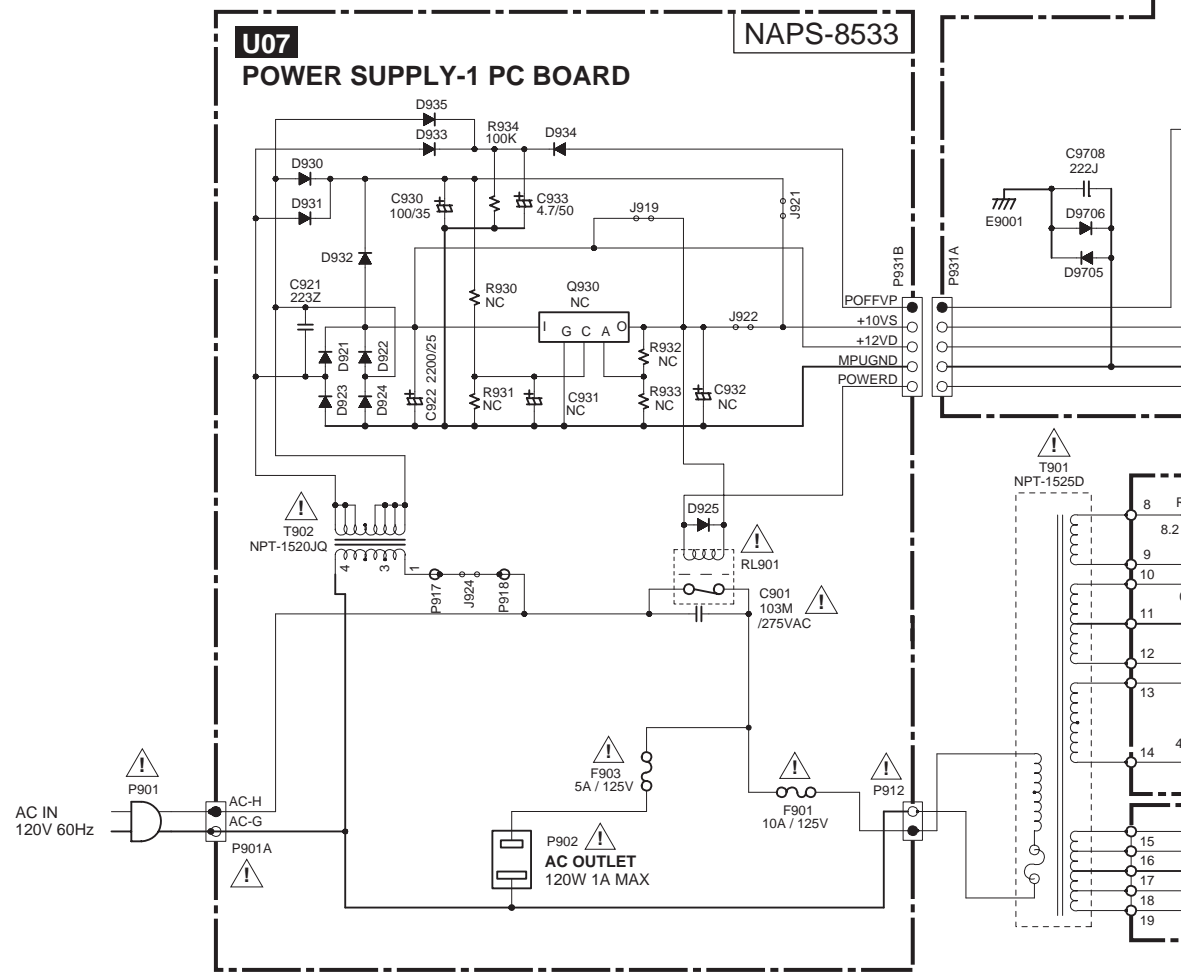
2

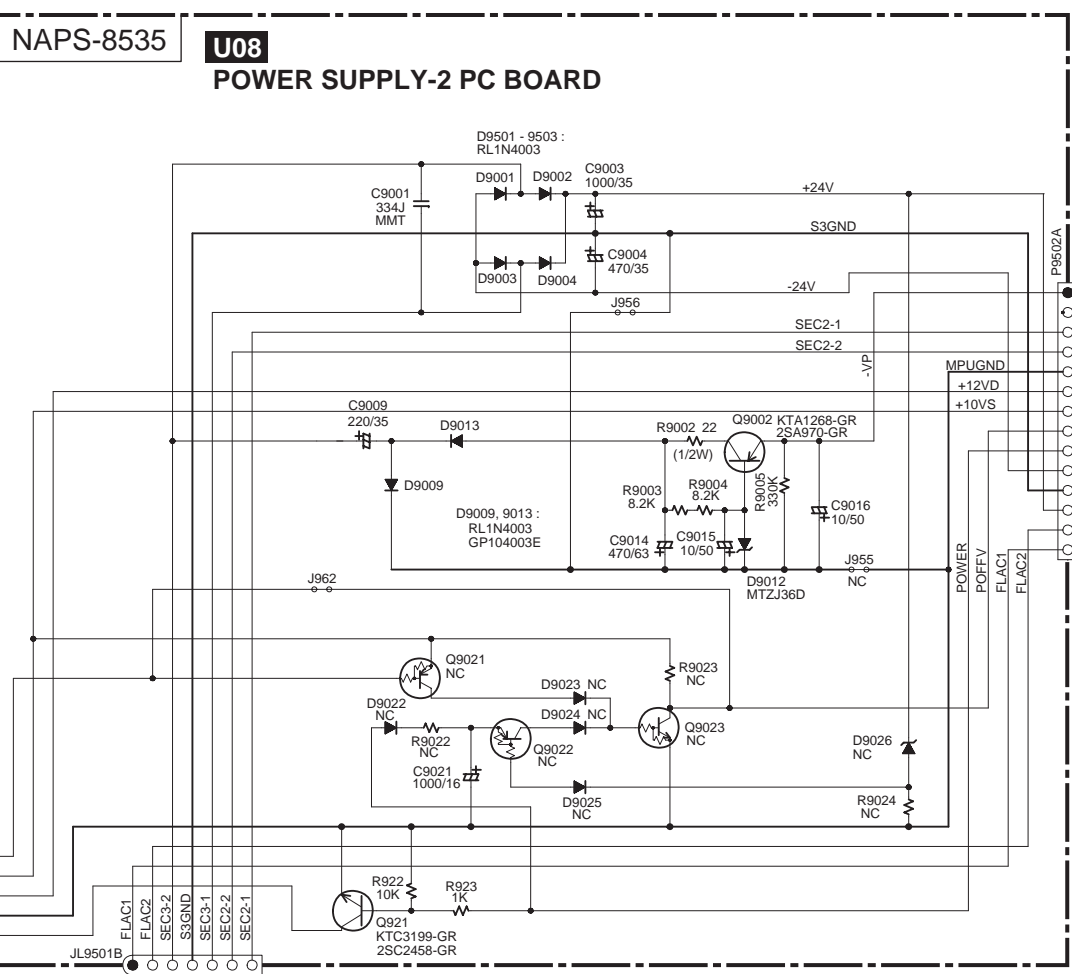
<Note>
NC=No mount of parts.

3

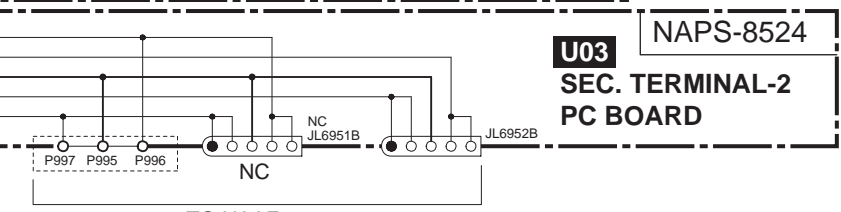
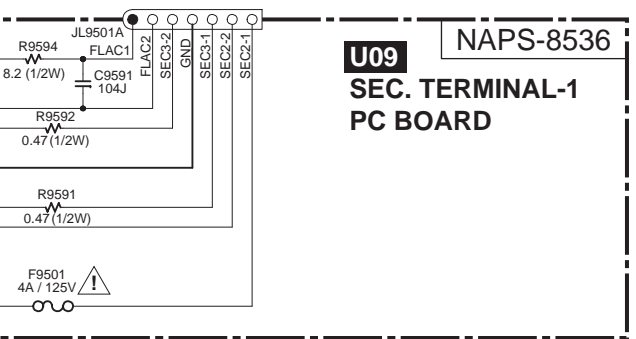
4

5

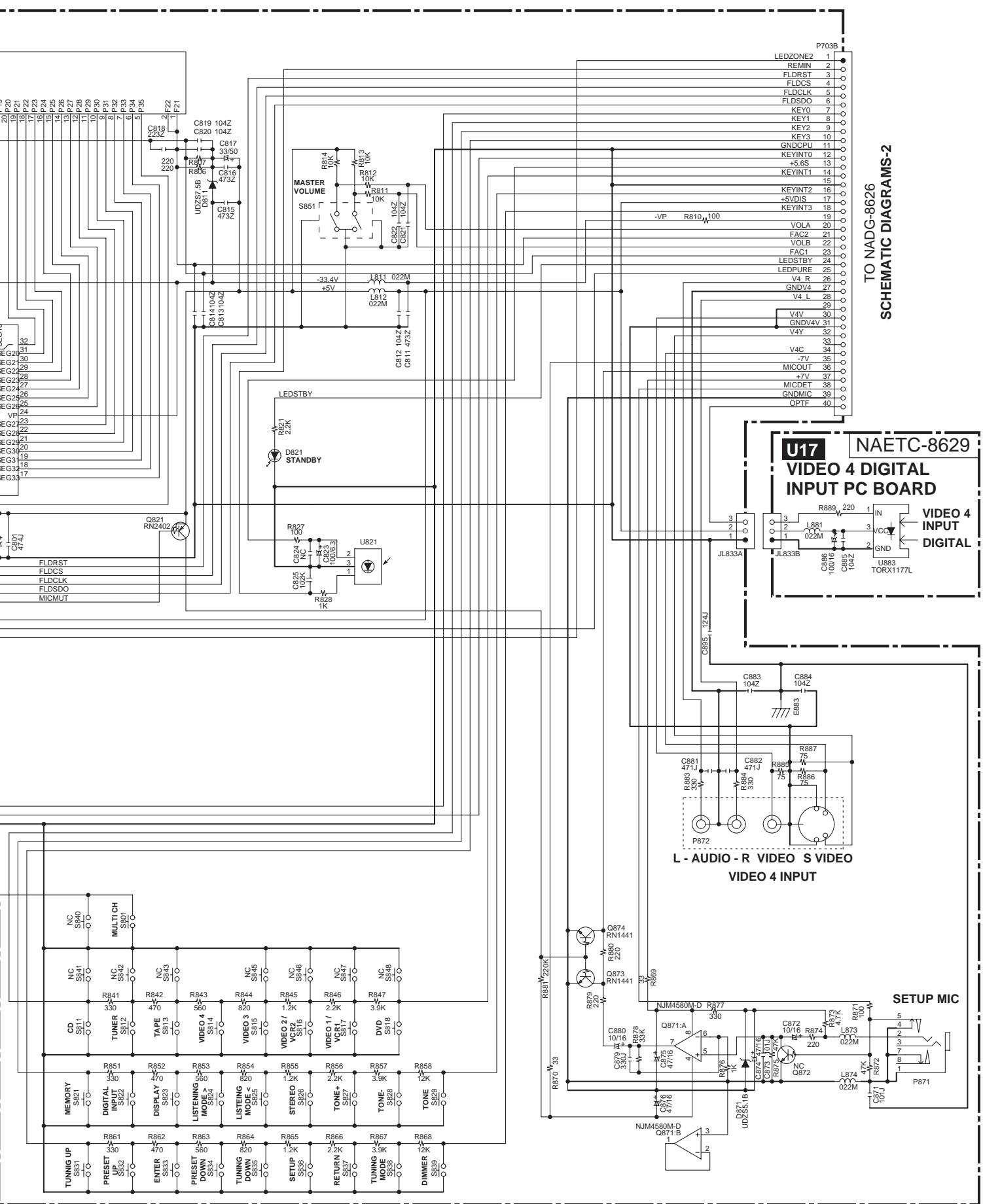




TO NAAF-8523
SCHEMATIC DIAGRAMS-1



TO NAAF-8523
SCHEMATIC DIAGRAMS-4



TO NADG-8626
SCHEMATIC DIAGRAMS-2

U17 NAETC-8629
VIDEO 4 DIGITAL INPUT PC BOARD

VIDEO 4 INPUT DIGITAL

IN
VCC
GND

U883 TORX1177L

L - AUDIO - R VIDEO S VIDEO
VIDEO 4 INPUT

SETUP MIC

SCHEMATIC DIAGRAMS-8

VIDEO SECTION

SCHEMATIC TO NA

1
2
3
4
5

COMPONENT VIDEO

S VIDEO VIDEO

VIDEO 3 IN

OUT

VIDEO 2

IN

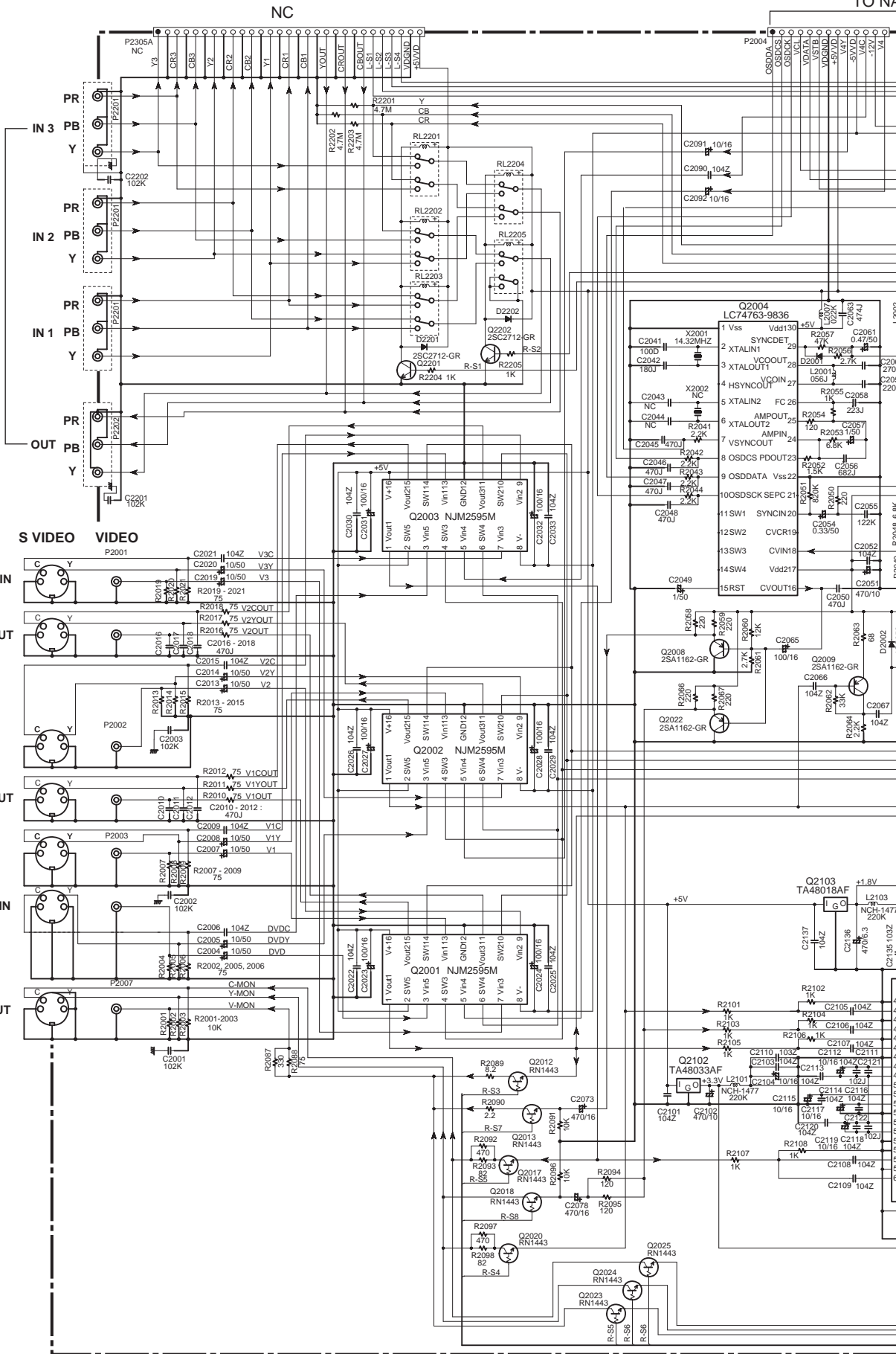
VIDEO 1

OUT

IN

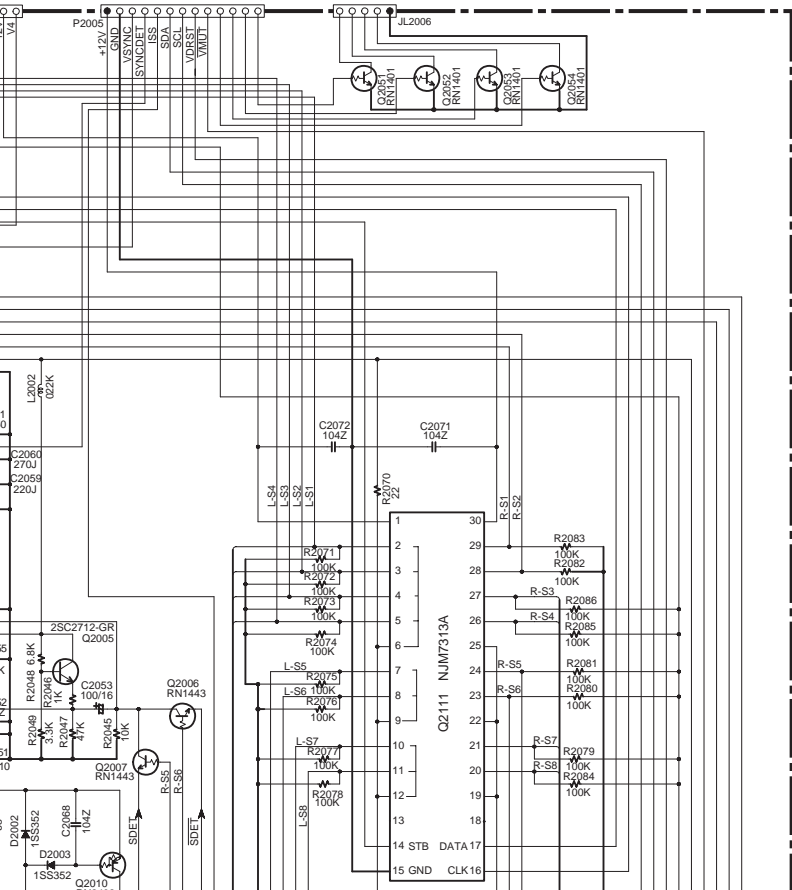
DVD IN

MONITOR OUT



SCHEMATIC DIAGRAMS-2
TO NADG-8626

SCHEMATIC DIAGRAMS-5
TO NAETC-8537



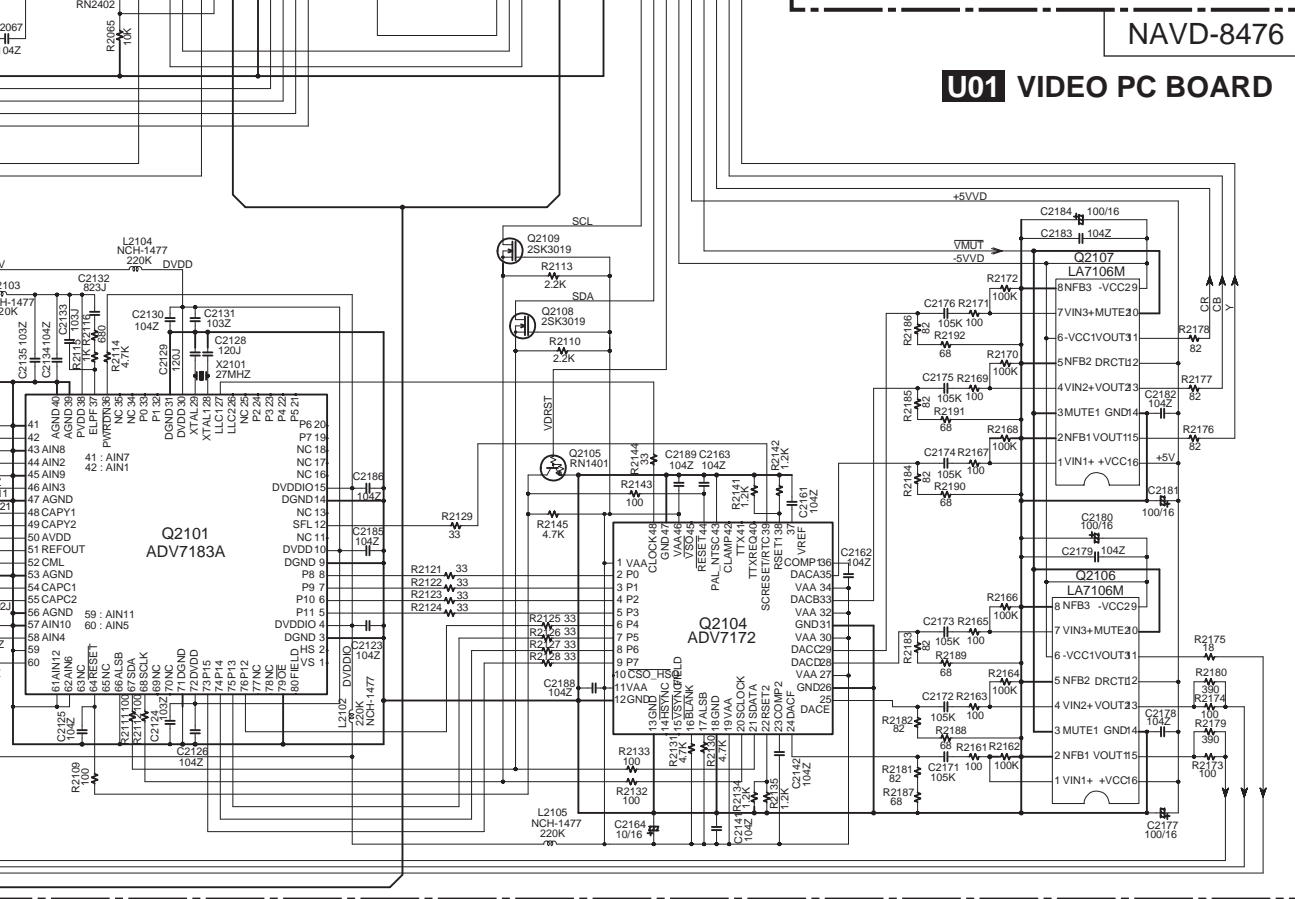
NOTE

- THE COMPONENTS IDENTIFIED BY MARK Δ ARE CRITICAL FOR SAFETY REPLACE ONLY WITH PART NUMBER SPECIFIED.
- VOLTAGE (MEASURED WITH VOLTMETER) \square IS DC VOLTAGE.(NO INPUT SIGNAL).
- ALL PNP TRANSISTORS ARE EQUIVALENT TO 2SA1015-GR UNLESS OTHERWISE NOTED.
- ALL NPN TRANSISTORS ARE EQUIVALENT TO 2SC1815-GR UNLESS OTHERWISE NOTED.
- ALL DIODES ARE EQUIVALENT TO 1SS133 UNLESS OTHERWISE NOTED.
- ELECTROLYTIC CAPACITORS (---) ARE IN $\mu\text{F}/\text{WV}$.
- ALL CAPACITORS ARE IN $\text{pF}/50\text{WV}$ UNLESS OTHERWISE NOTED.
- EX) 030- 3pF 330- 33pF 331- 330pF 333- 0.03 μF
- ALL RESISTORS ARE IN OHMS 1/4WATTS UNLESS OTHERWISE NOTED.
- THE THICK LINES ON PC BOARD ARE THE PRINTING SIDE OF THE PARTS.
- EX) \square PRINTING SIDE
- CIRCUIT IS SUBJECT TO CHANGE FOR IMPROVEMENT.

<Note>
NC=No mount of parts.

NAVD-8476

U01 VIDEO PC BOARD



A B C D

SCHEMATIC DIAGRAMS-9
XM DIGITAL TRANSCEIVER SECTION

NARF-8688
U21
XM DIGITAL TRANSCEIVER PC BOARD

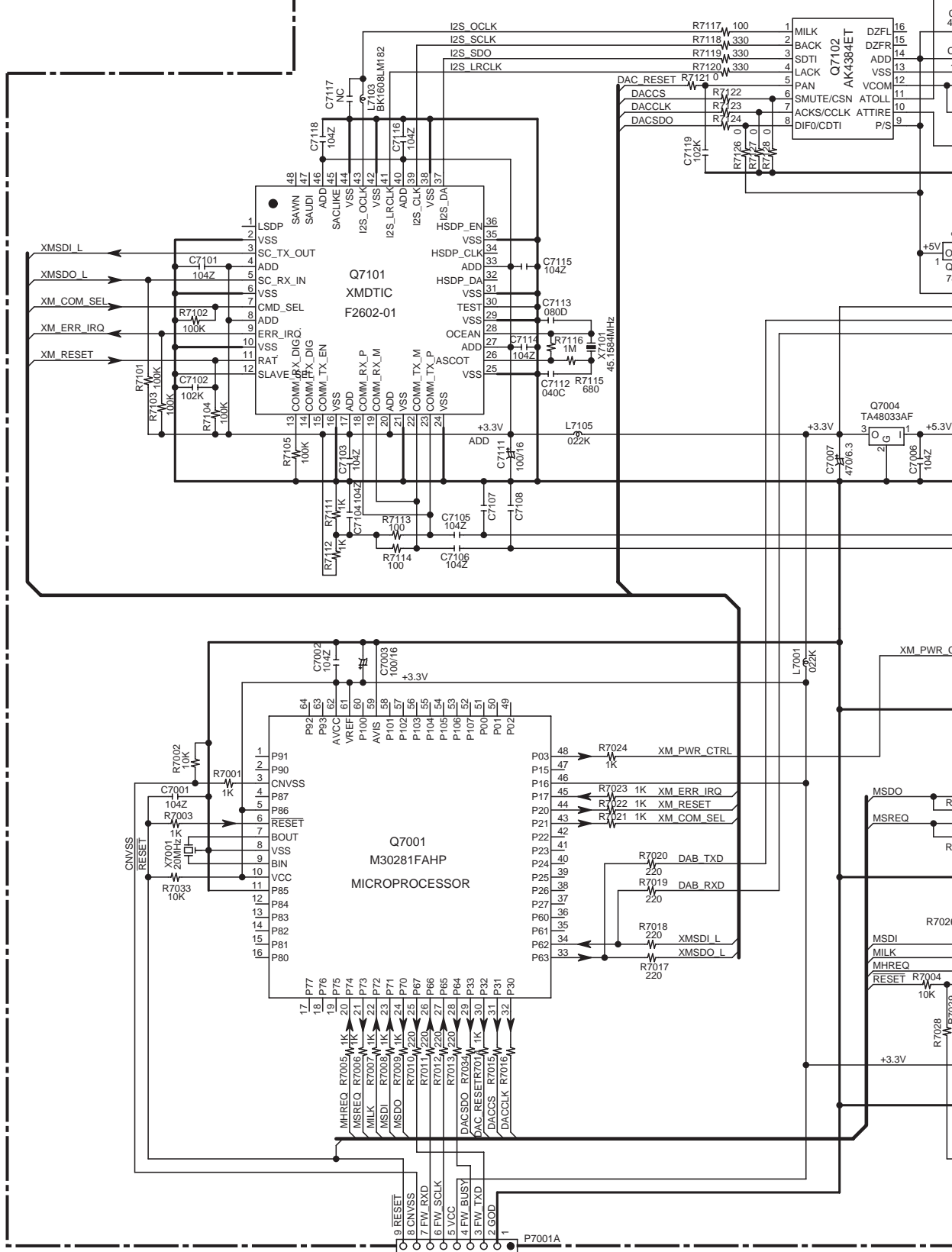
1

2

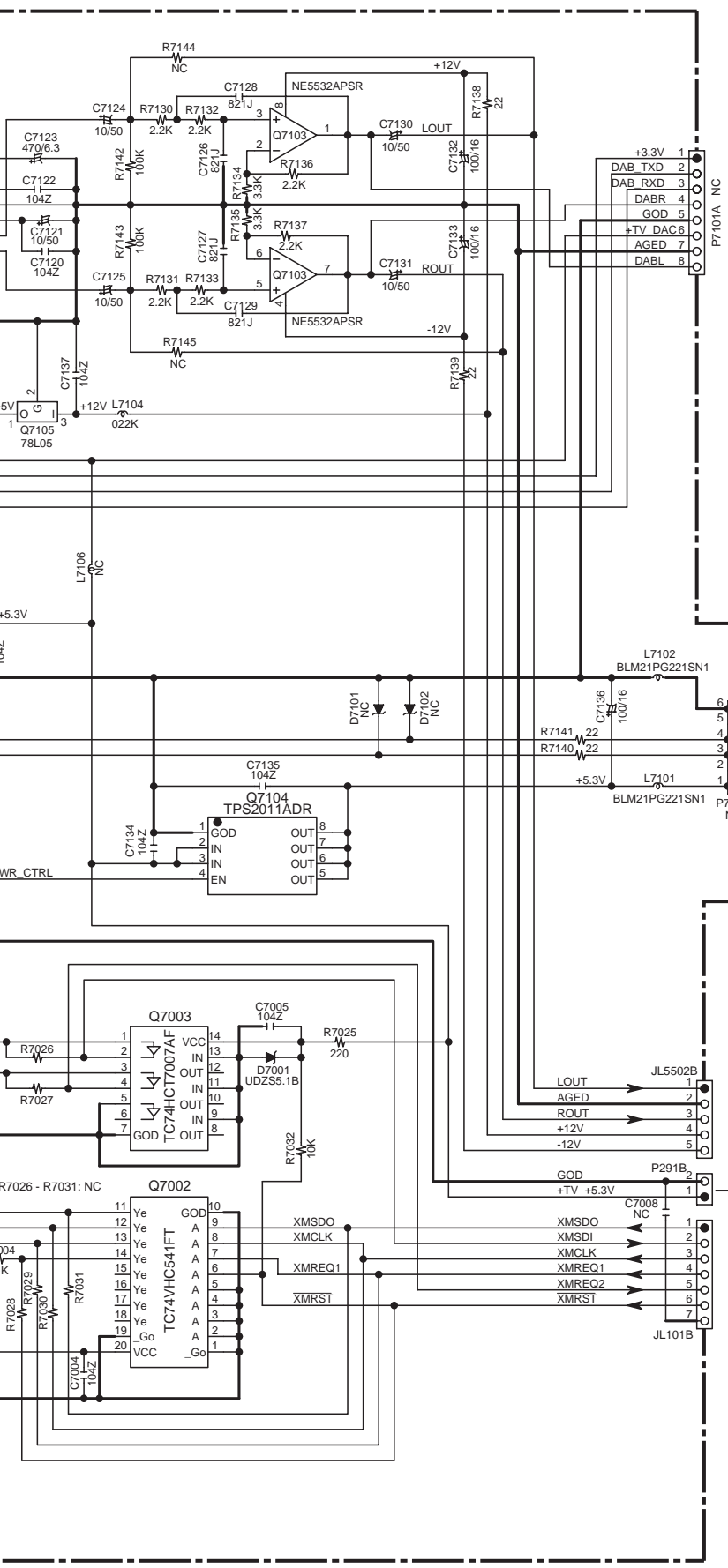
3

4

5



FOR FLASH WRITER



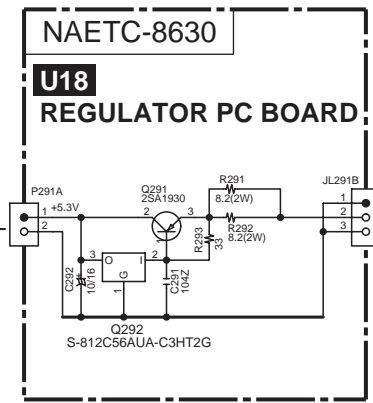
<Note>
NC=No mount of parts.

NOTE

- THE COMPONENTS IDENTIFIED BY MARK \triangle ARE CRITICAL FOR SAFETY REPLACE ONLY WITH PART NUMBER SPECIFIED.
- VOLTAGE (MEASURED WITH VOLTMETER) \square IS DC VOLTAGE.(NO INPUT SIGNAL).
- ALL PNP TRANSISTORS ARE EQUIVALENT TO 2SA1015-GR UNLESS OTHERWISE NOTED.
- ALL NPN TRANSISTORS ARE EQUIVALENT TO 2SC1815-GR UNLESS OTHERWISE NOTED.
- ALL DIODES ARE EQUIVALENT TO 1SS133 UNLESS OTHERWISE NOTED.
- ELECTROLYTIC CAPACITORS (\square) ARE IN uF/VV.
- ALL CAPACITORS ARE IN pF/50VV UNLESS OTHERWISE NOTED.
EX) 030- 3pF 330- 33pF 331- 330pF 333- 0.033uF
- ALL RESISTORS ARE IN OHMS 1/4WATTS UNLESS OTHERWISE NOTED.
- THE THICK LINES ON PC BOARD ARE THE PRINTING SIDE OF THE PARTS.
EX) \square PRINTING SIDE
- CIRCUIT IS SUBJECT TO CHANGE FOR IMPROVEMENT.

TO NAAF-8523
SCHEMATIC DIAGRAMS-1

TO NADG-8626
SCHEMATIC DIAGRAMS-2



TO NAAF-8523
SCHEMATIC DIAGRAMS-1

A

B

C

D

PRINTED CIRCUIT BOARD VIEWS-1

U01 VIDEO PC BOARD (NAVD-8476)

Side-A

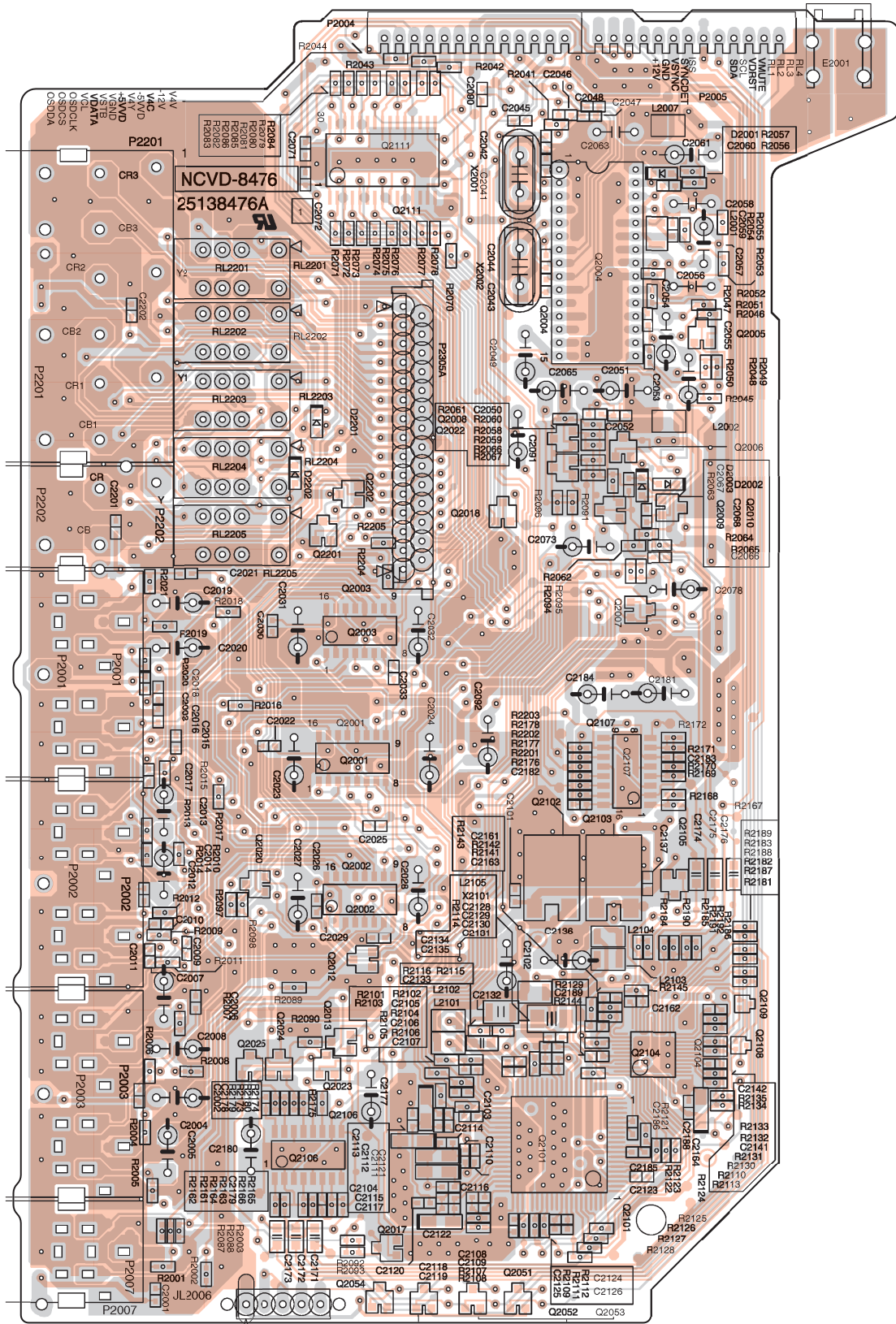
1

2

3

4

5



A

B

C

D

PRINTED CIRCUIT BOARD VIEWS-2

U01 VIDEO PC BOARD
(NAVD-8476)

Side-B

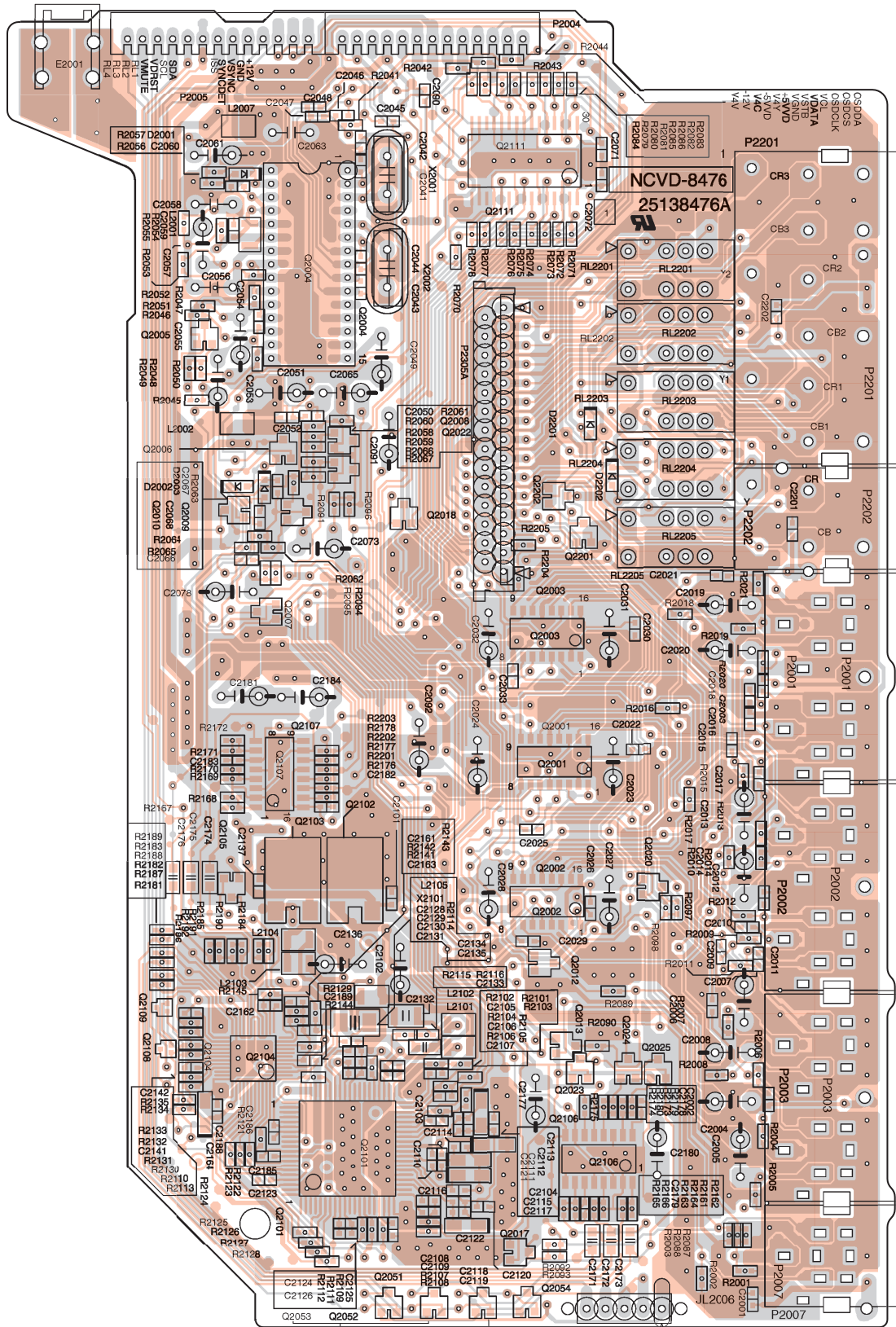
1

2

3

4

5



A

B

C

D

PRINTED CIRCUIT BOARD VIEWS-3

U02 AMPLIFIER PC BOARD (NAAF-8523)

Component side

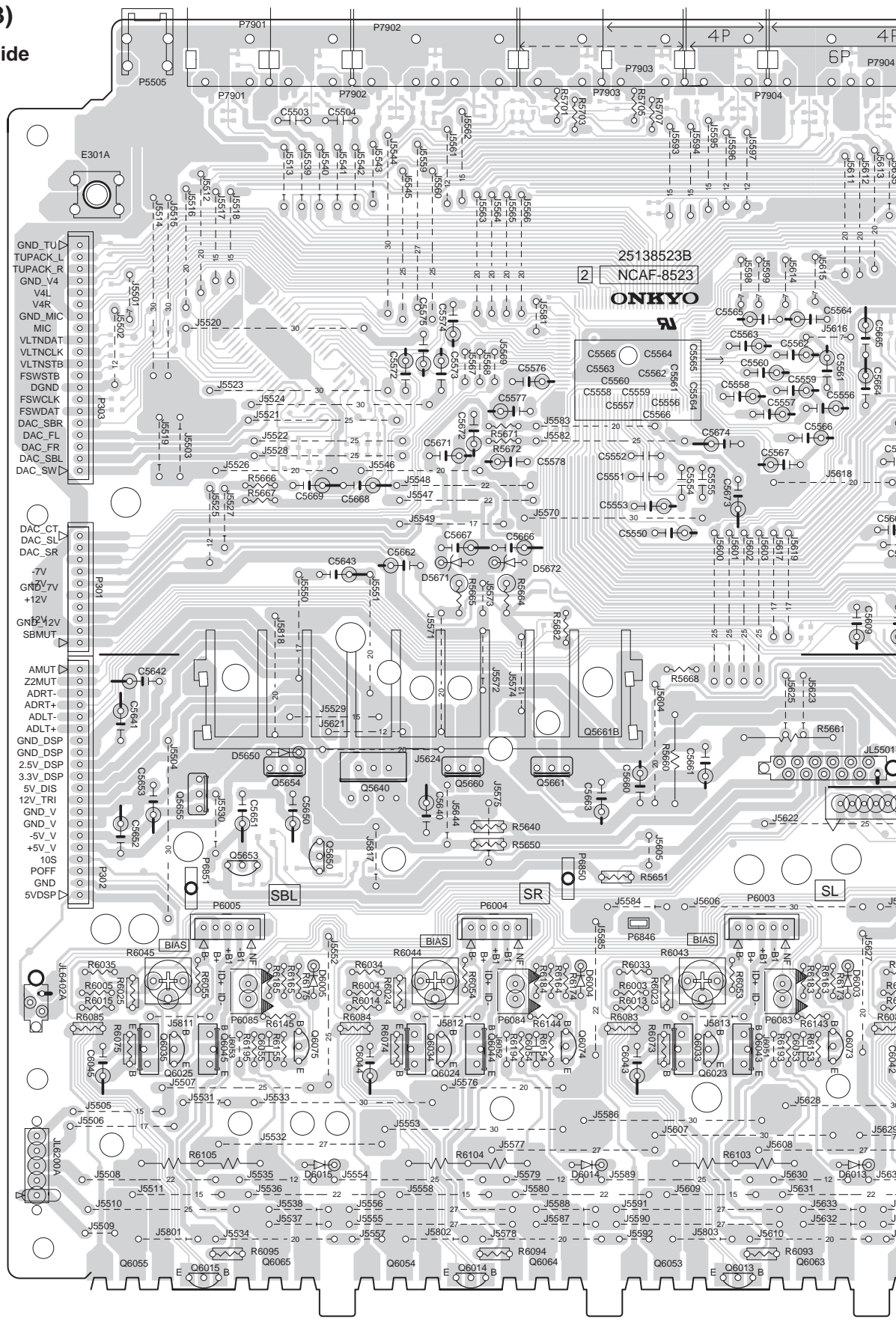
1

2

3

4

5

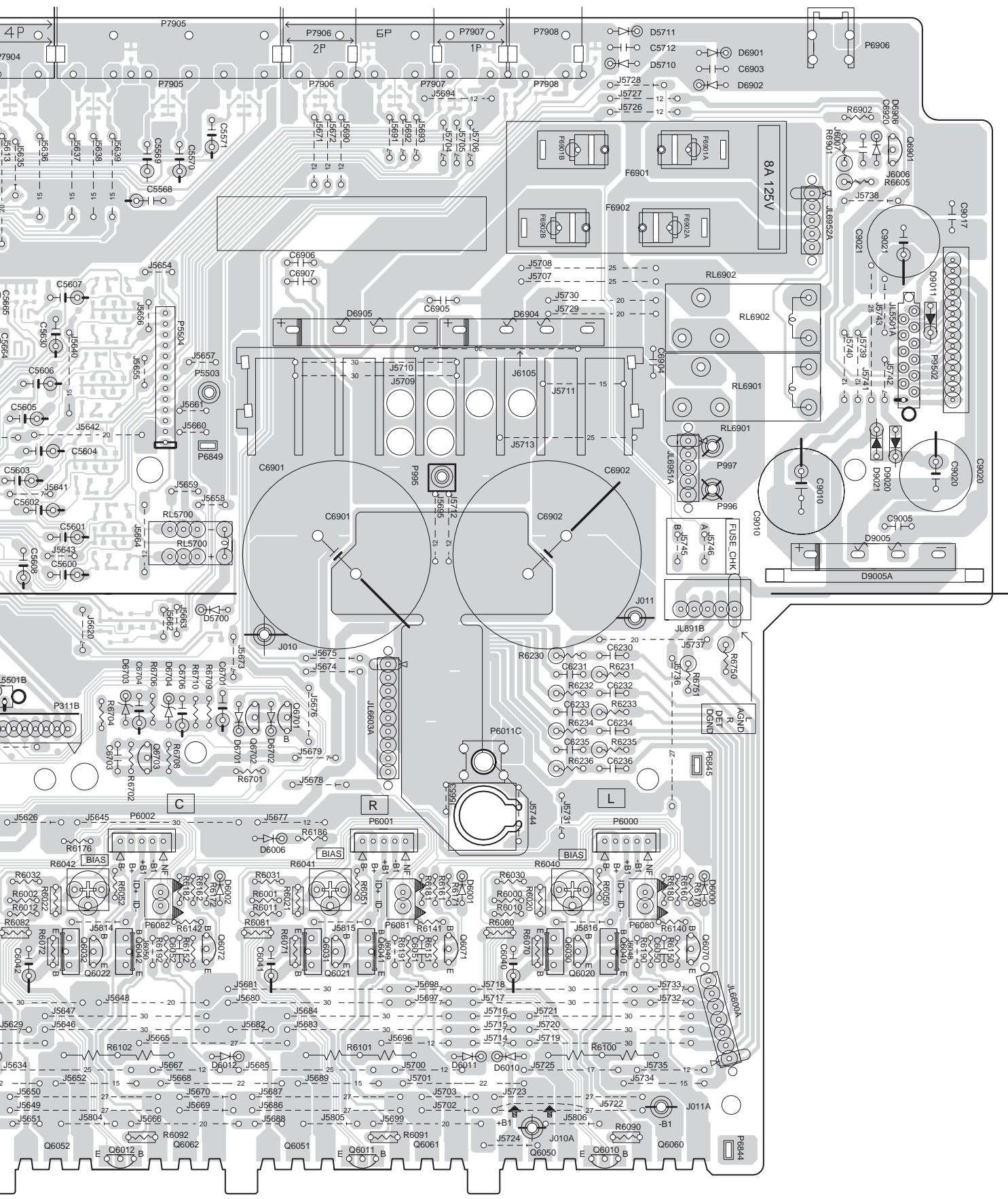


- GND_TU
- TUPACK_L
- TUPACK_R
- GND_V4
- V4L
- V4R
- GND_MIC
- MIC
- VLTNDAT
- VLTNCLK
- VLTNSTB
- FSWSTB
- DGND
- FSWCLK
- FSWDAT
- DAC_SBR
- DAC_FL
- DAC_FR
- DAC_SBL
- DAC_SW

- DAC_CT
- DAC_SL
- DAC_SR
- 7V
- GND_V7
- +12V
- GND_V2V
- SBMUT

- AMUT
- Z2MUT
- ADRT-
- ADRT+
- ADLT-
- ADLT+
- GND_DSP
- GND_DSP
- 2.5V_DSP
- 3.3V_DSP
- 5V_TRI
- 12V_DSI
- GND_V
- 5V_V
- +5V_V
- 10S
- POFF
- GND
- 5VDSP

25138523B
NCAF-8523
ONKYO



A

B

C

D

PRINTED CIRCUIT BOARD VIEWS-4

U02 AMPLIFIER PC BOARD
(NAAF-8523)

Soldering side

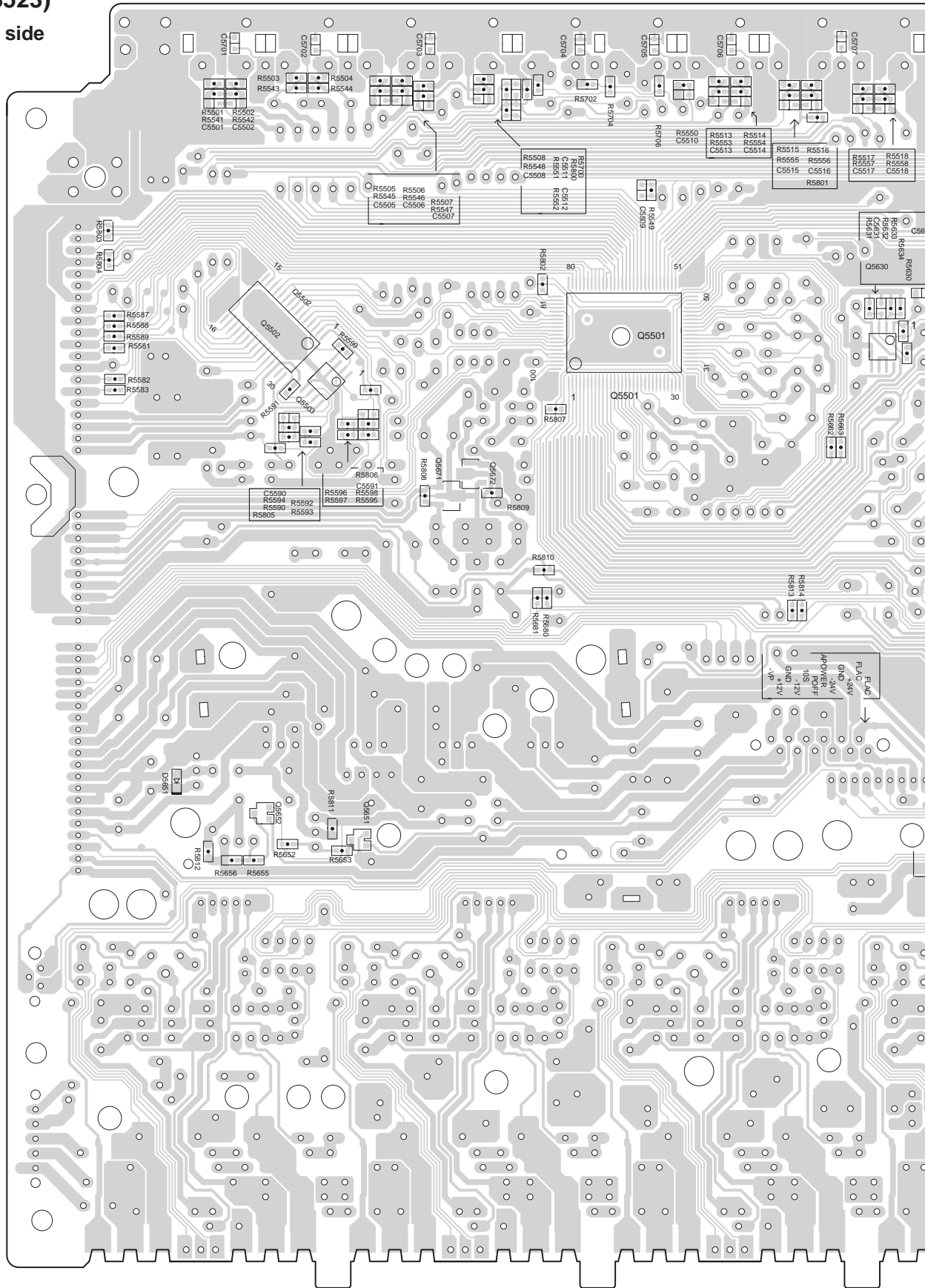
1

2

3

4

5

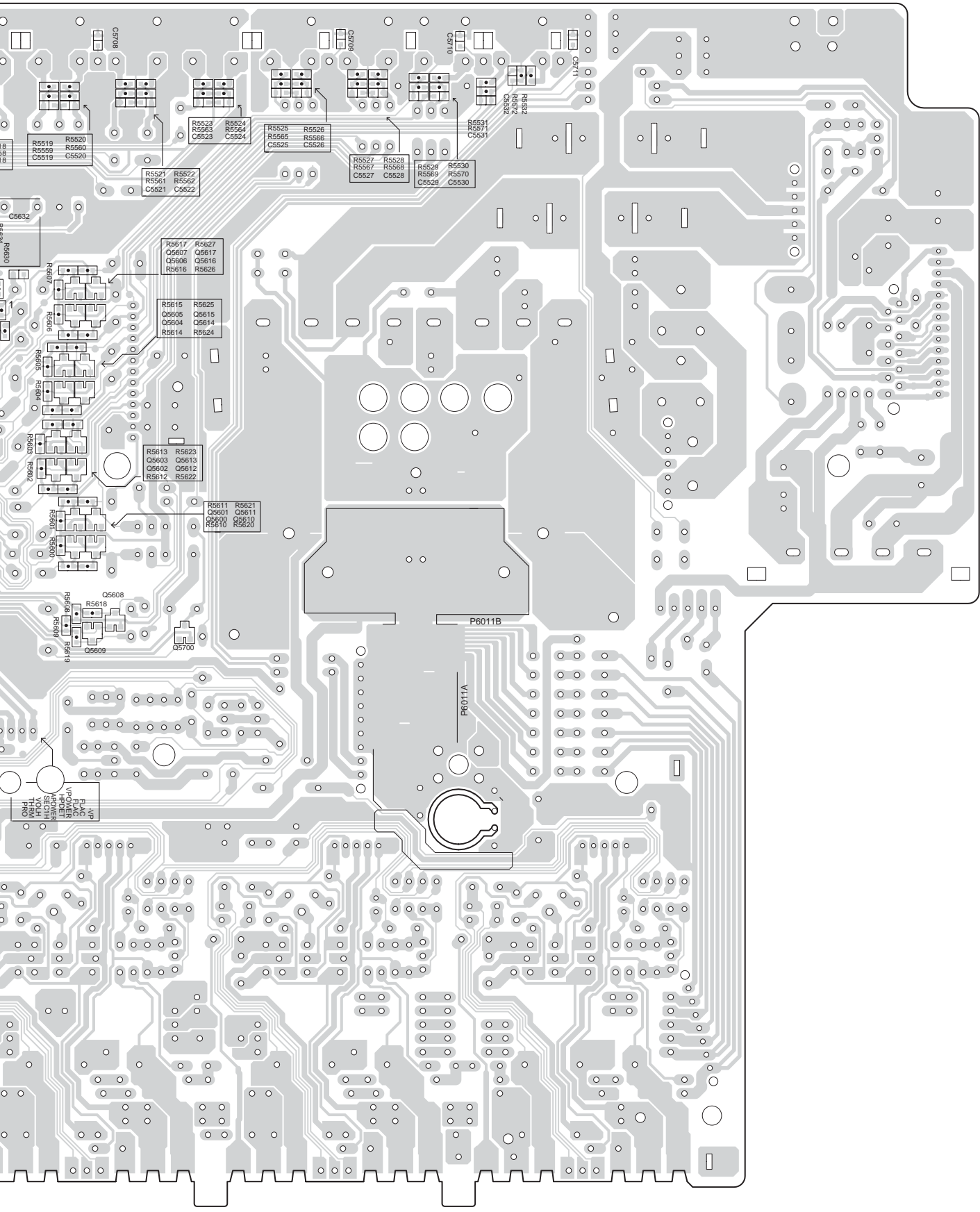


E

F

G

H



A

B

C

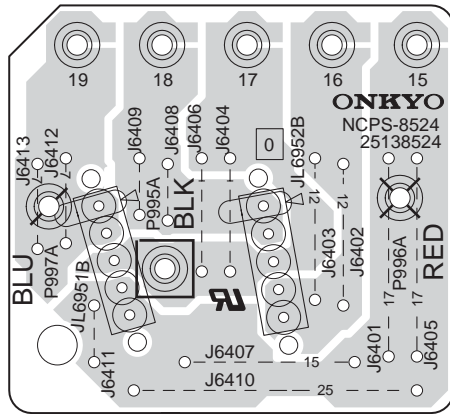
D

PRINTED CIRCUIT BOARD VIEWS-5

1

U03 SEC. TERMINAL-2 PC BOARD
(NAPS-8524)

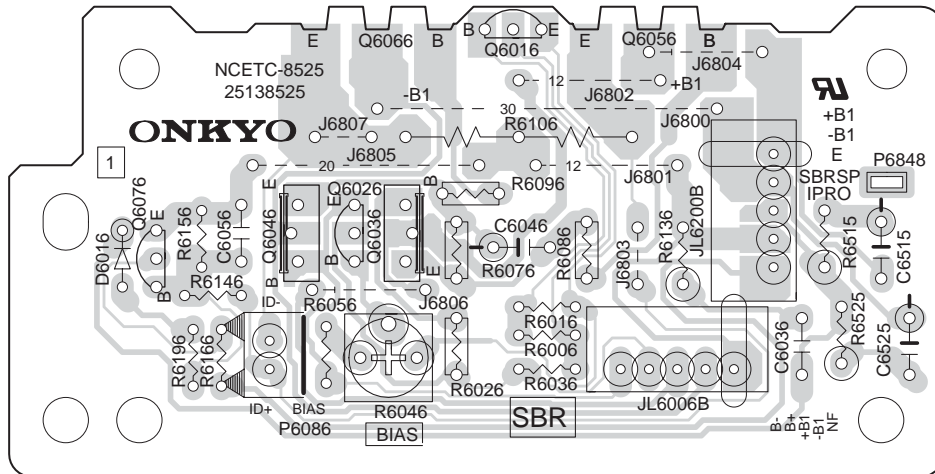
Component side



2

U04 SB-R AMPLIFIER PC BOARD
(NAETC-8525)

Component side

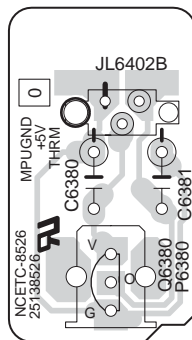


3

4

U05 THERMAL SENSOR PC BOARD
(NAETC-8526)

Component side



5

A

B

C

D

PRINTED CIRCUIT BOARD VIEWS-6

U07 POWER SUPPLY-1 PC BOARD (NAPS-8533)

1

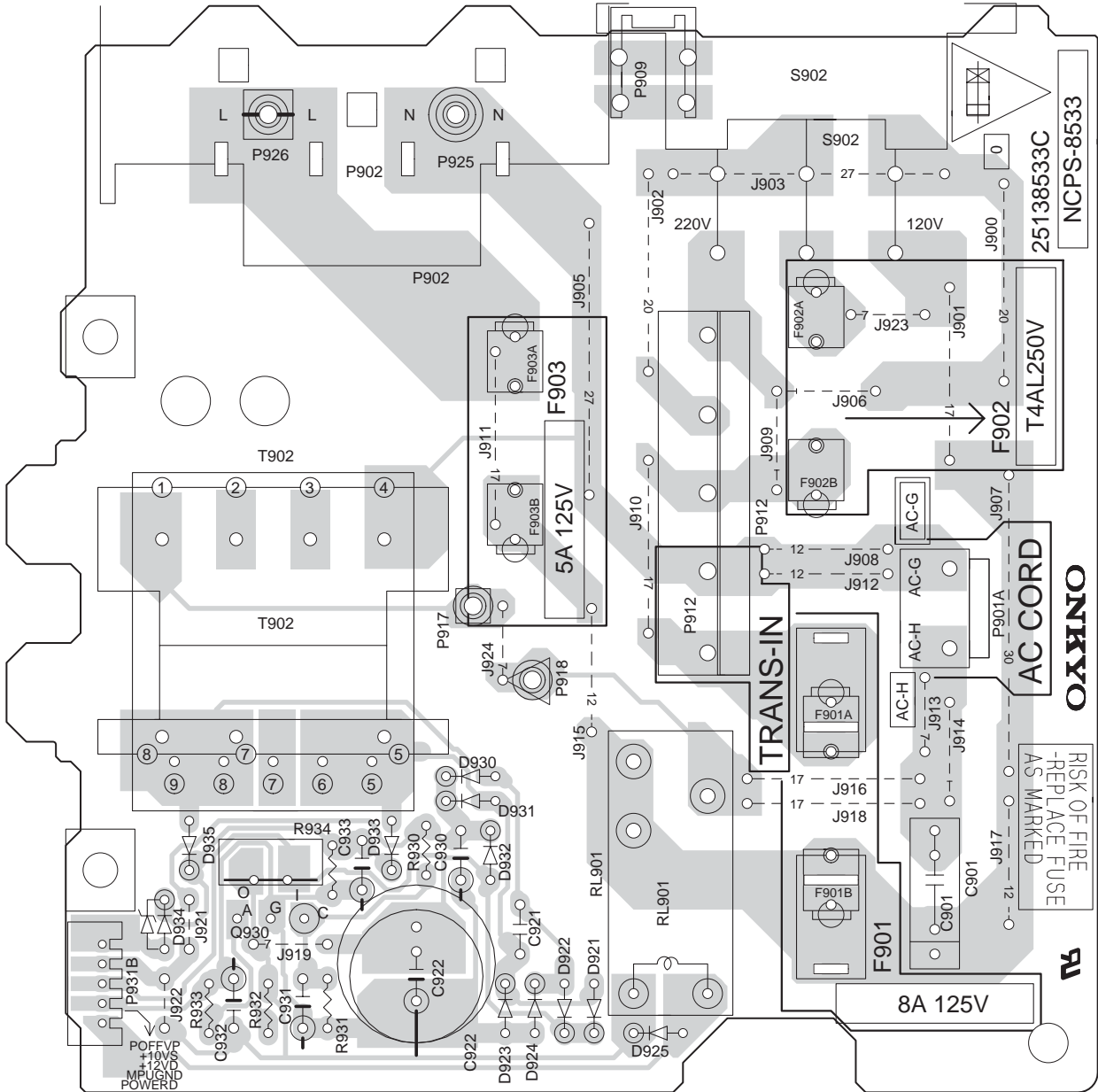
Component side

2

3

4

5



A

B

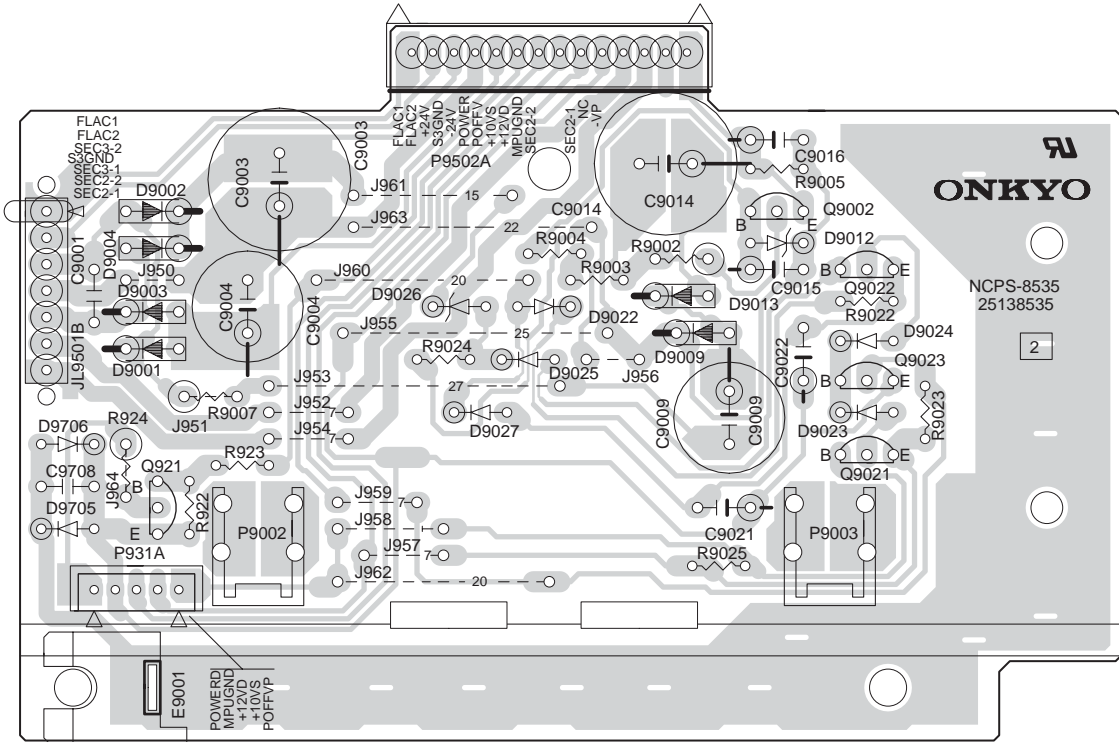
C

D

PRINTED CIRCUIT BOARD VIEWS-7

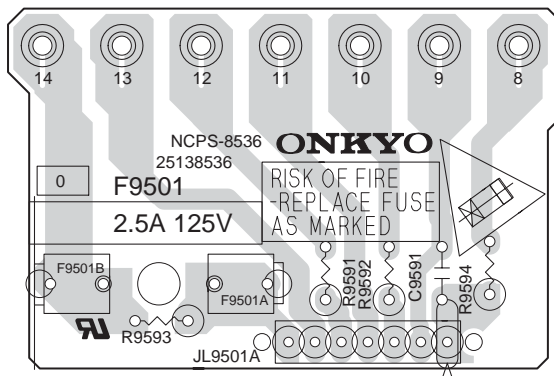
U08 POWER SUPPLY-2 PC BOARD
(NAPS-8535)

Component side



U09 SEC. TERMINAL-1 PC BOARD
(NAPS-8536)

Component side



1

2

3

4

5

A

B

C

D

PRINTED CIRCUIT BOARD VIEWS-8

U10 SPEAKER TERMINAL PC BOARD
(NAETC-8537)

Component side

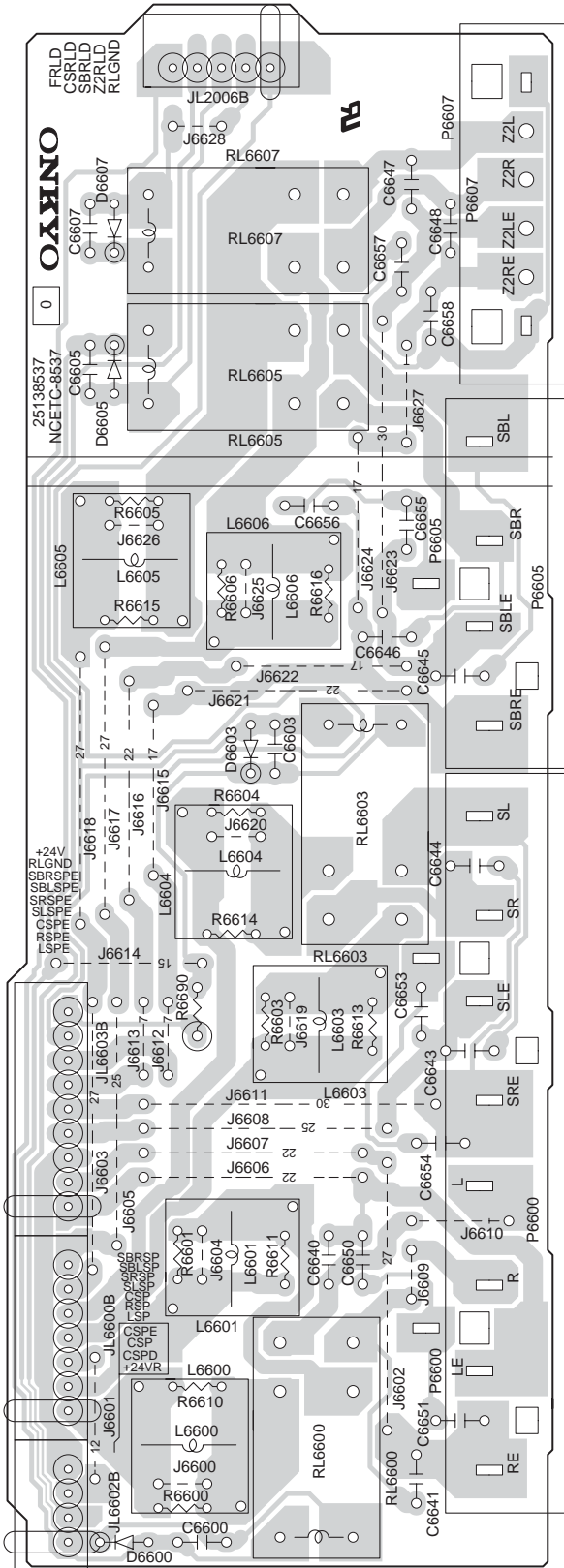
1

2

3

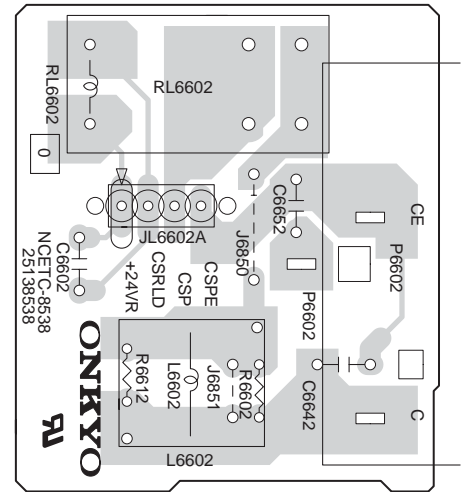
4

5



U11 CENTER SPEAKER TERMINAL PC BOARD
(NAETC-8538)

Component side



A

B

C

D

PRINTED CIRCUIT BOARD VIEWS-9

1

**U12 DRIVER AMPLIFIER
PC BOARD
(NAAF-8540)**

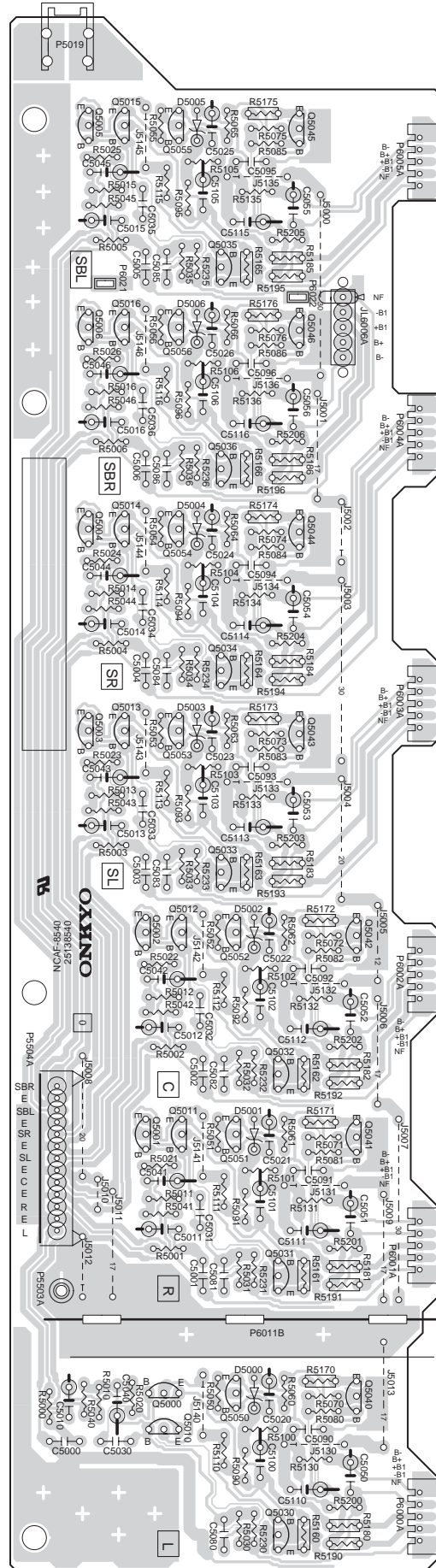
Component side

2

3

4

5



A

B

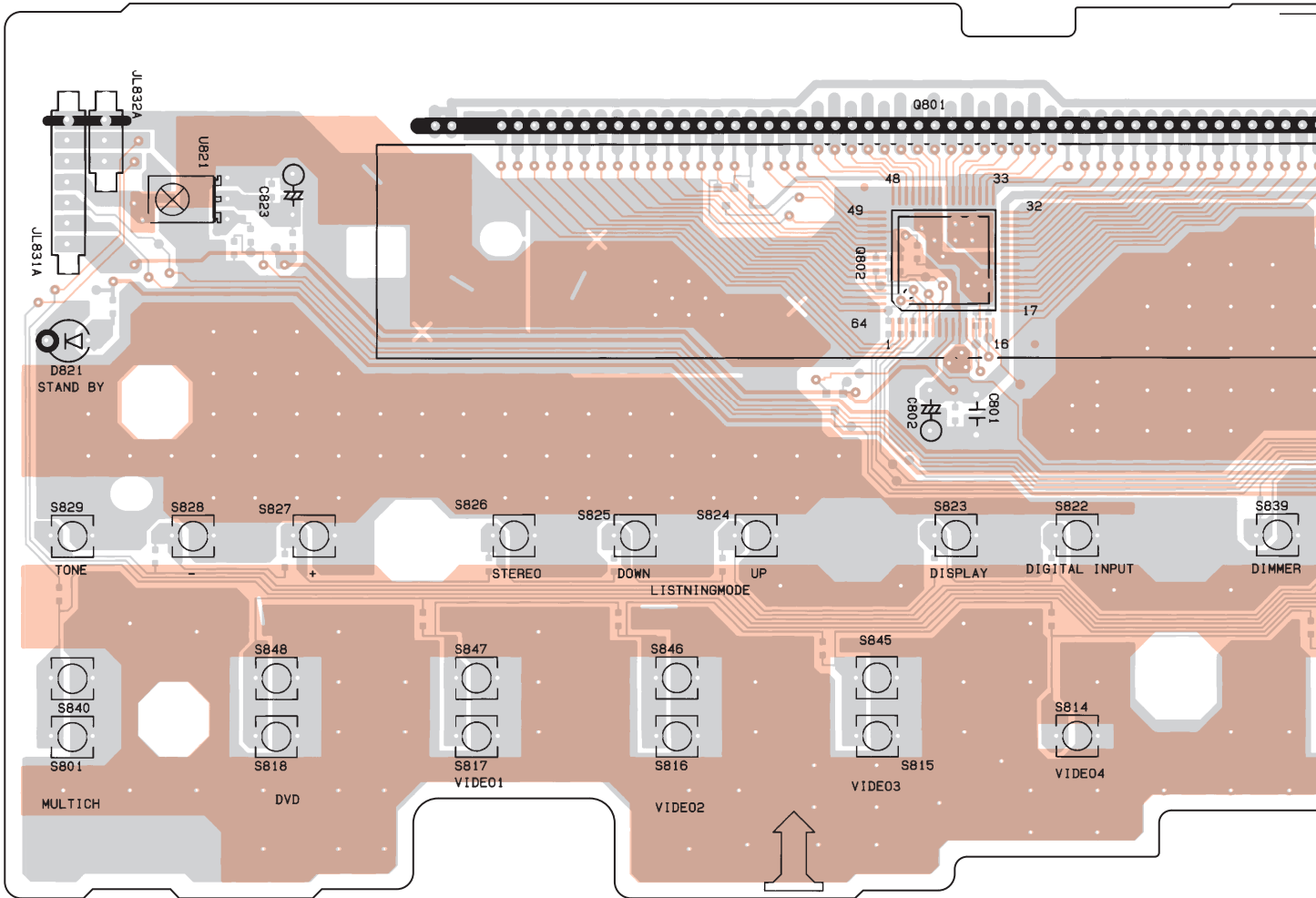
C

D

PRINTED CIRCUIT BOARD VIEWS-10

U13 DISPLAY PC BOARD
(NADIS-8625)

Side-A

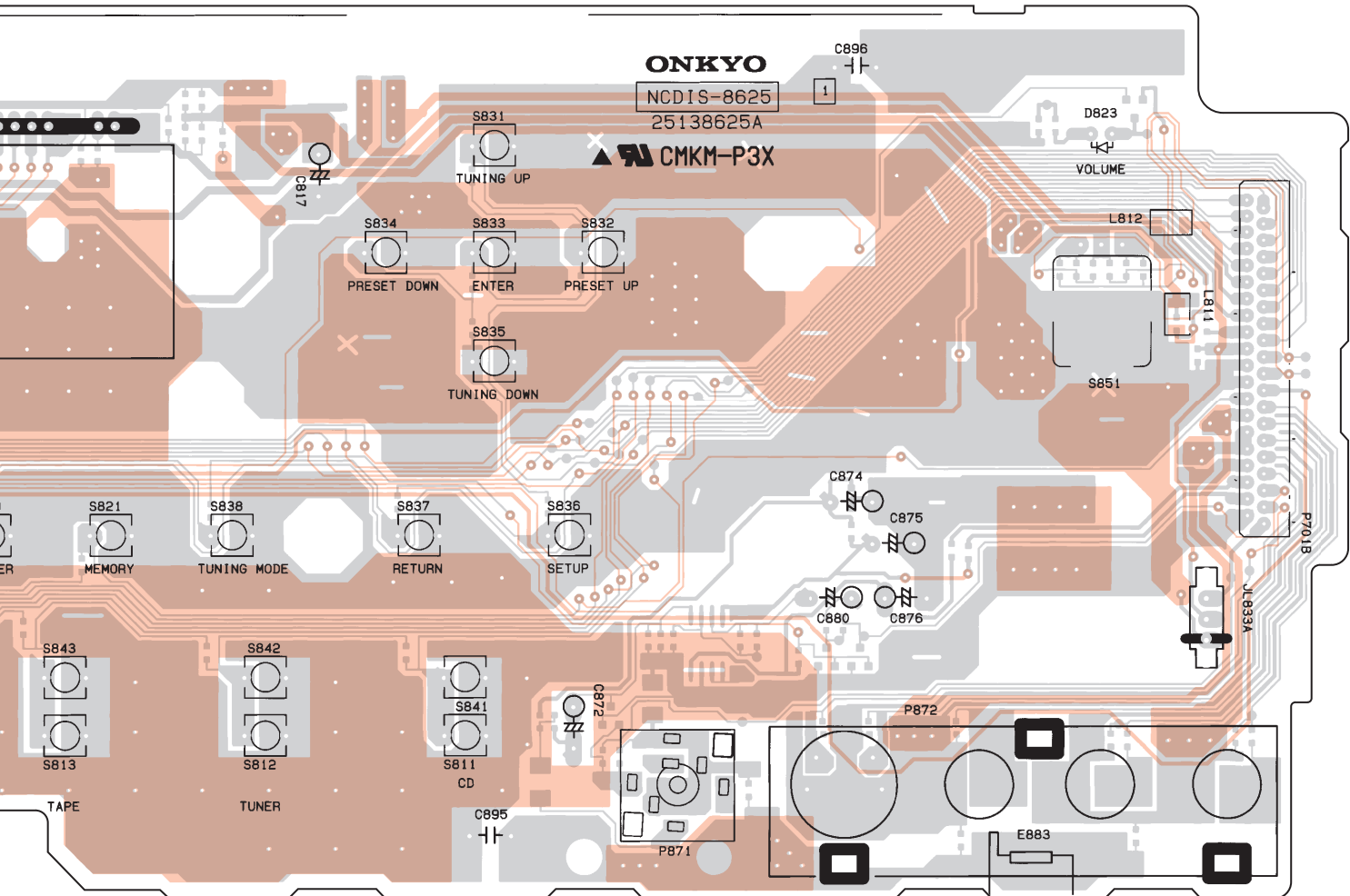


E

F

G

H



A

B

C

D

PRINTED CIRCUIT BOARD VIEWS-11

U13 DISPLAY PC BOARD
(NADIS-8625)

Side-B

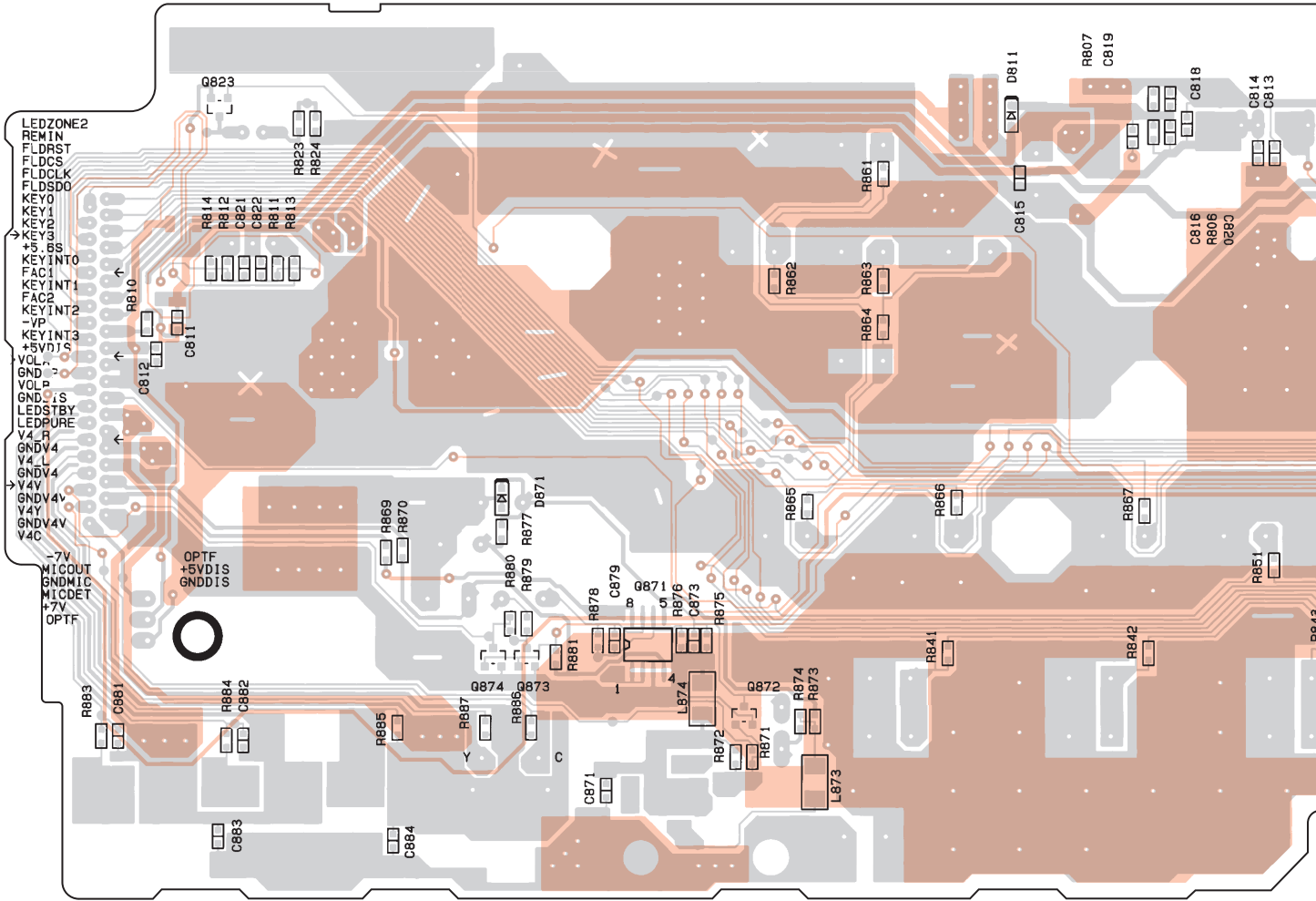
1

2

3

4

5

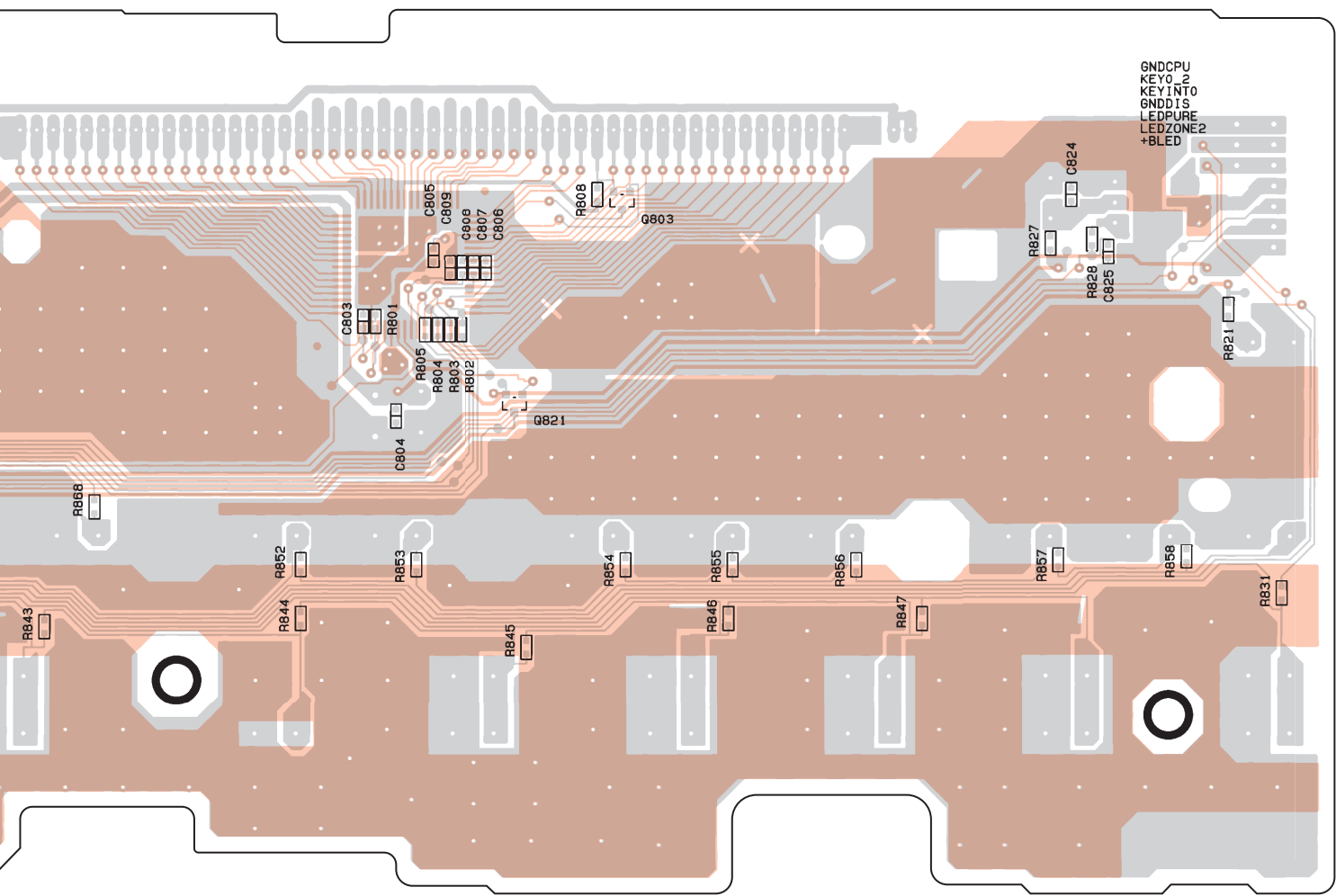


E

F

G

H



A

B

C

D

PRINTED CIRCUIT BOARD VIEWS-12

U14 DSP PC BOARD
(NADG-8626)

Side-A

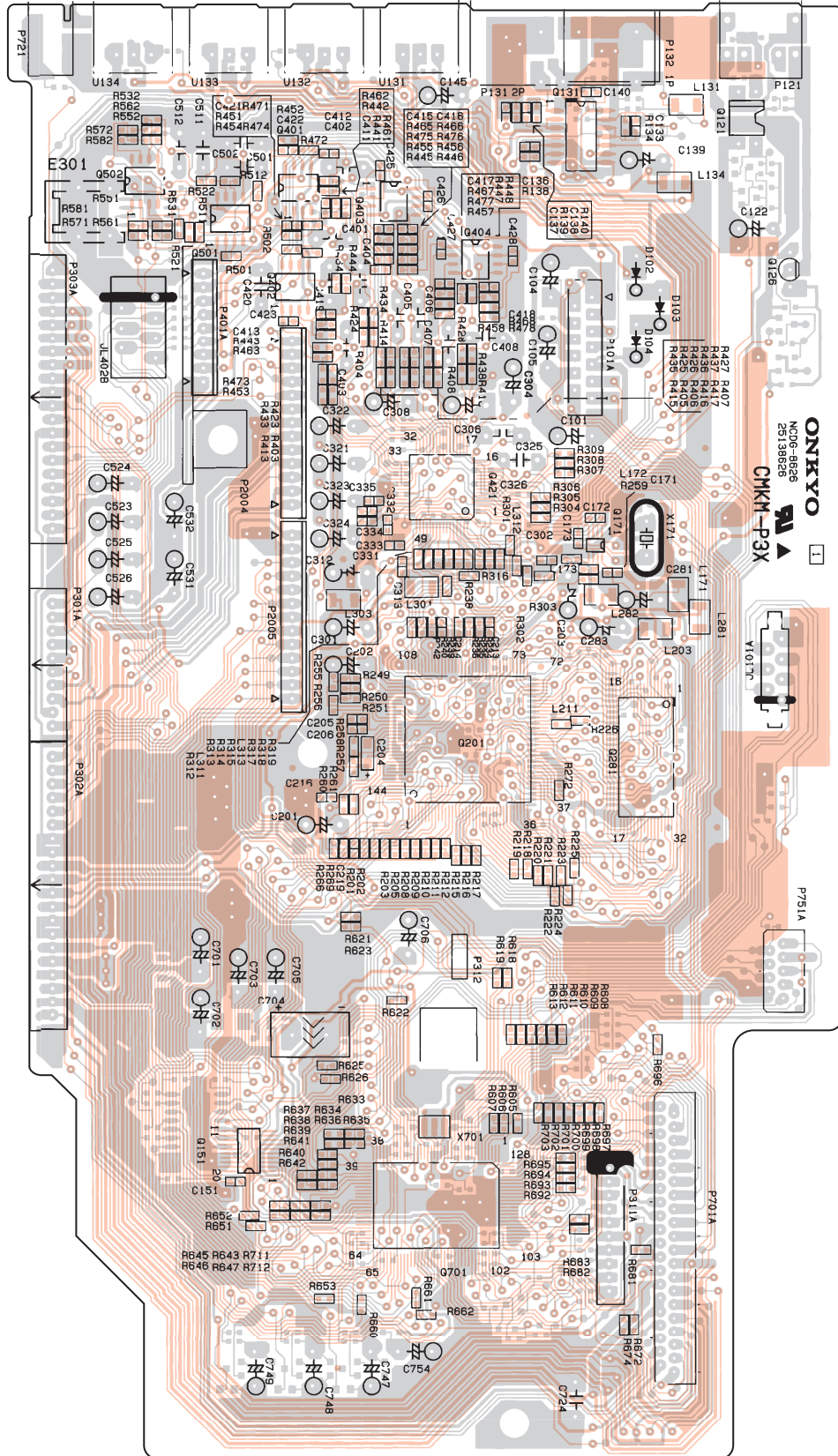
1

2

3

4

5



A

B

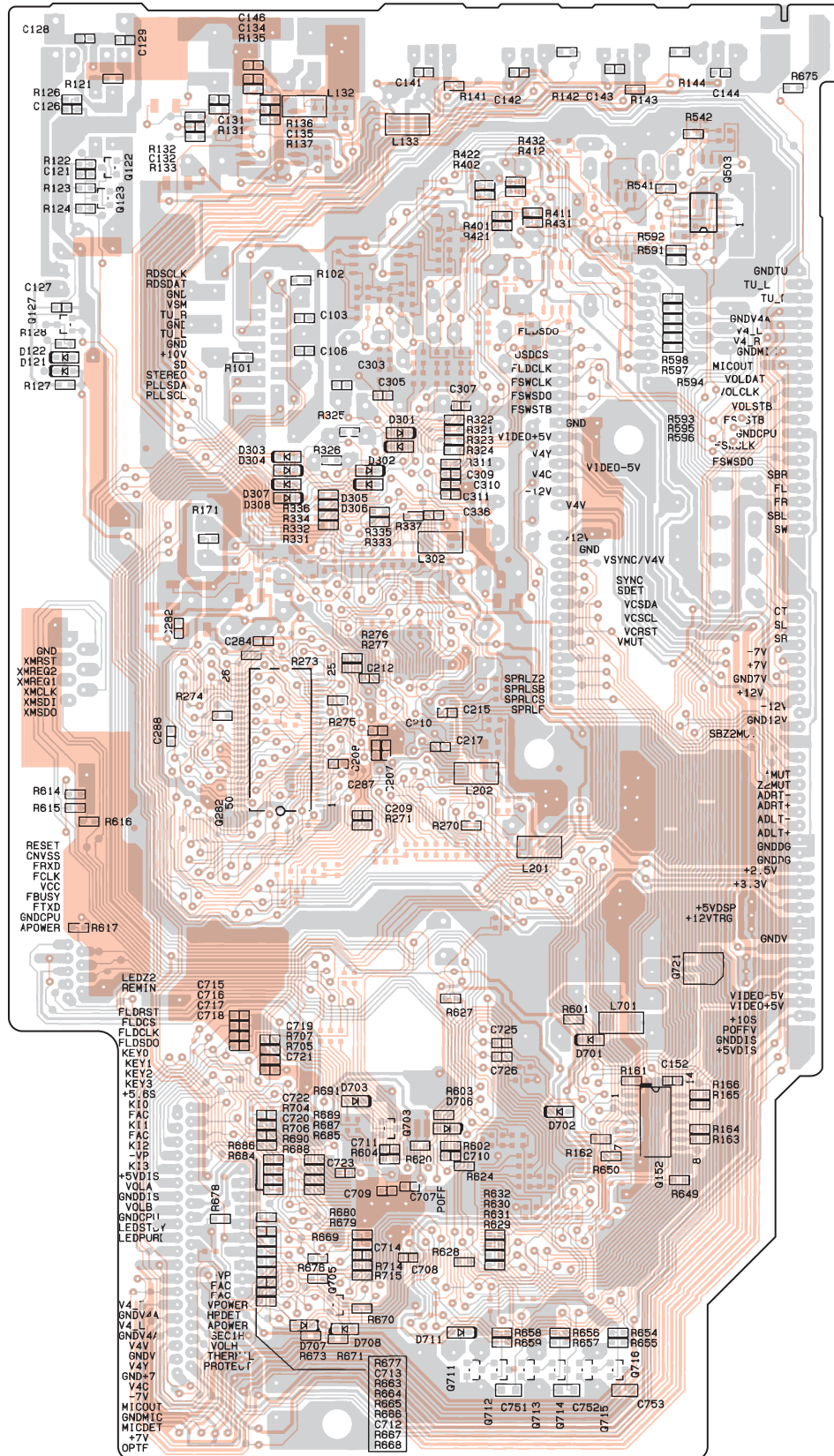
C

D

PRINTED CIRCUIT BOARD VIEWS-13

U14 DSP PC BOARD (NADG-8626)

Side-B



1

2

3

4

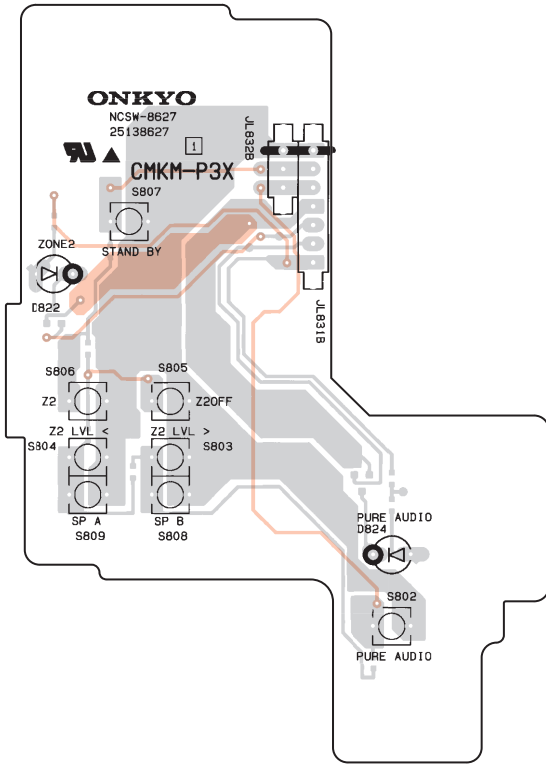
5

PRINTED CIRCUIT BOARD VIEWS-14

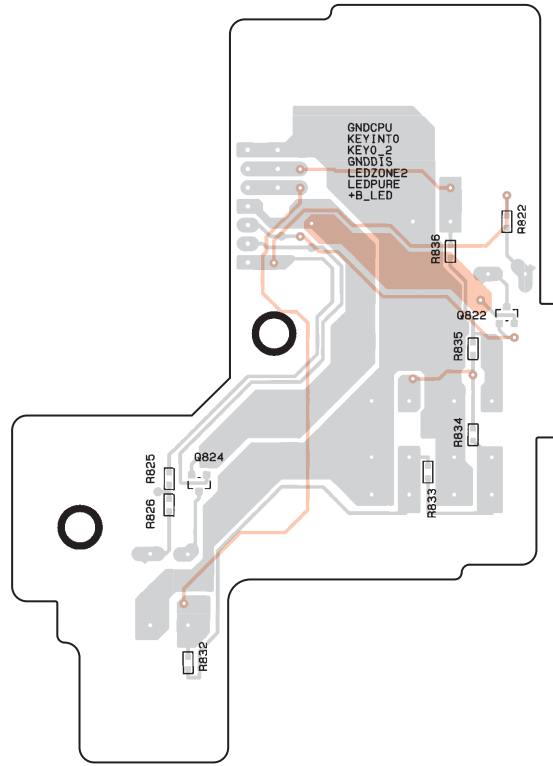
U15 SWITCH PC BOARD (NASW-8627)

1

Side-A



Side-B



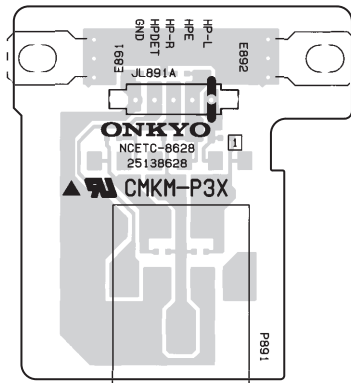
2

3

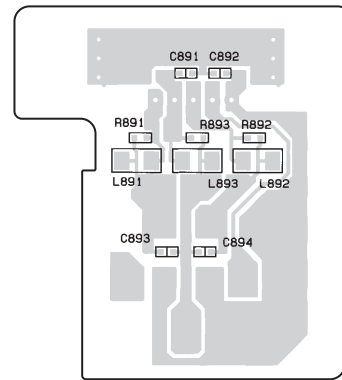
U16 HEADPHONE JACK PC BOARD (NAETC-8628)

4

Side-A



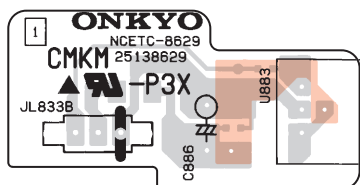
Side-B



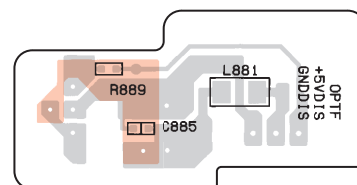
U17 VIDEO 4 DIGITAL INPUT PC BOARD (NAETC-8629)

5

Side-A



Side-B



A

B

C

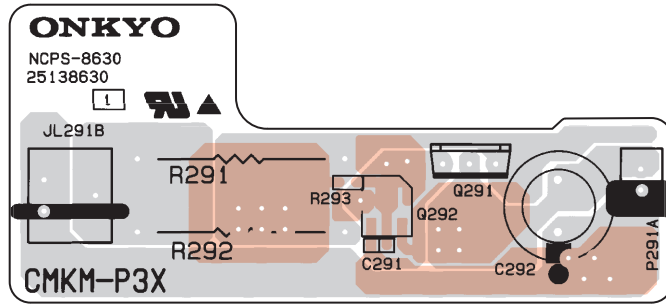
D

PRINTED CIRCUIT BOARD VIEWS-15

U18 REGULATOR PC BOARD
(NAPS-8630)

Side-A

1

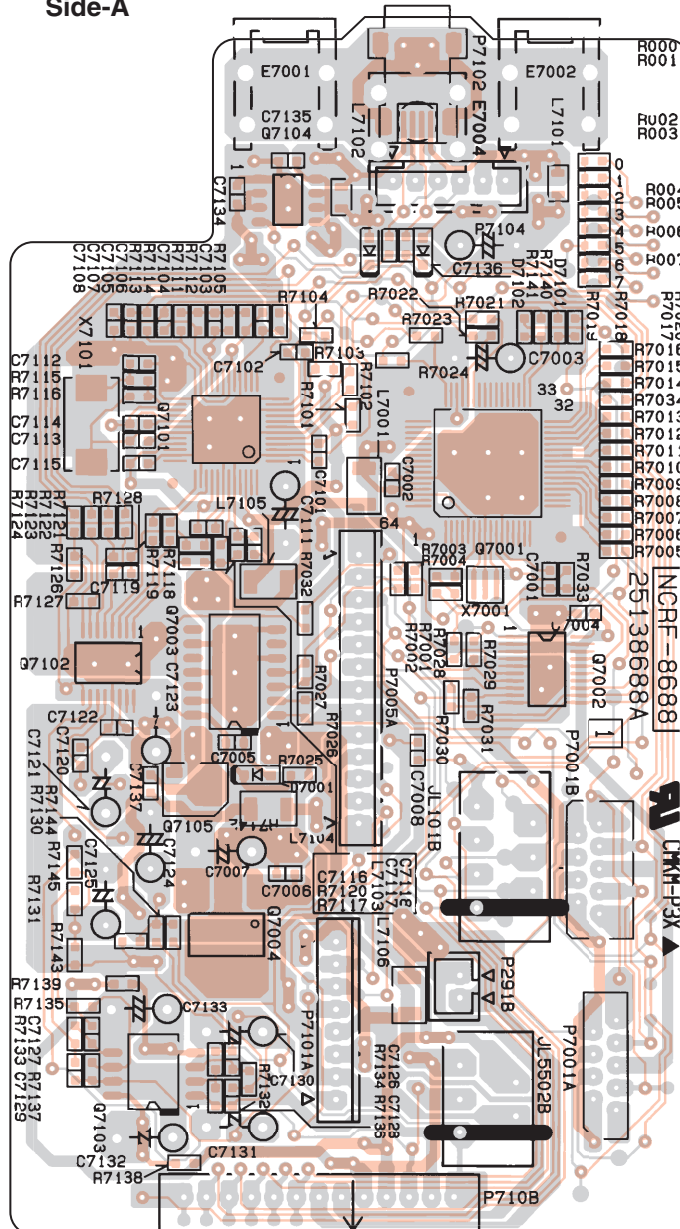


2

U21 XM DIGITAL TRANSCIVER PC BOARD
(NARF-8688)

Side-A

3



4

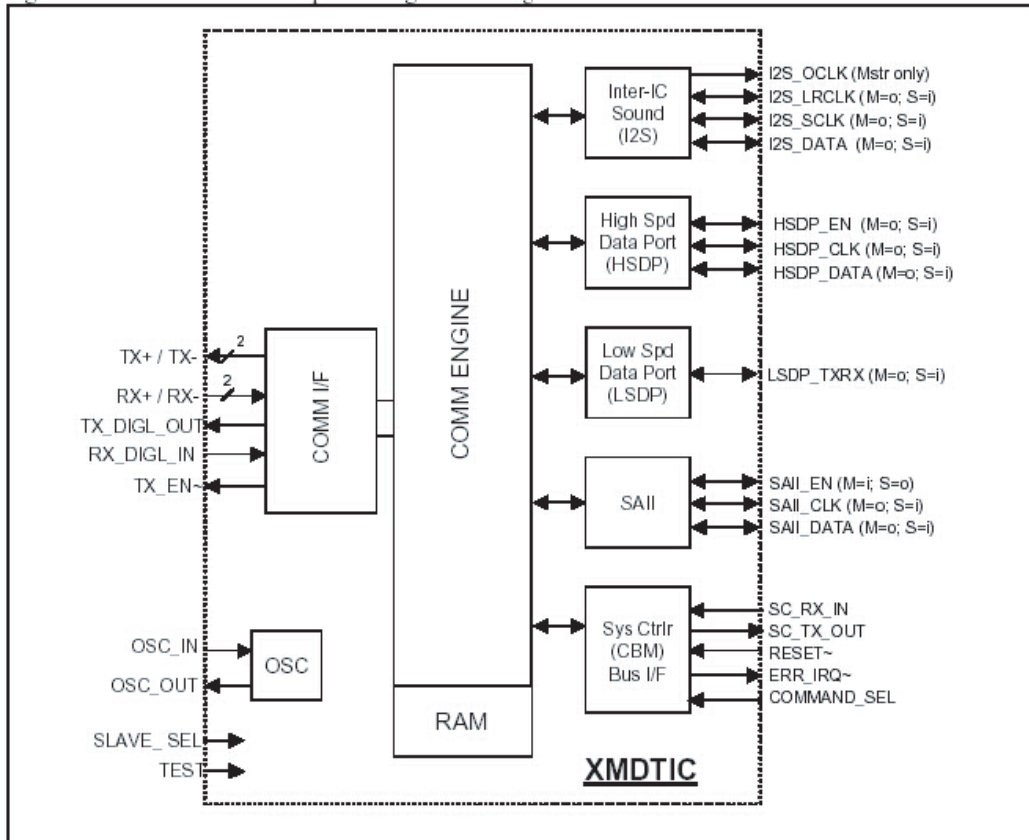
5

IC BLOCK DIAGRAMS AND TERMINAL DESCRIPTIONS-1

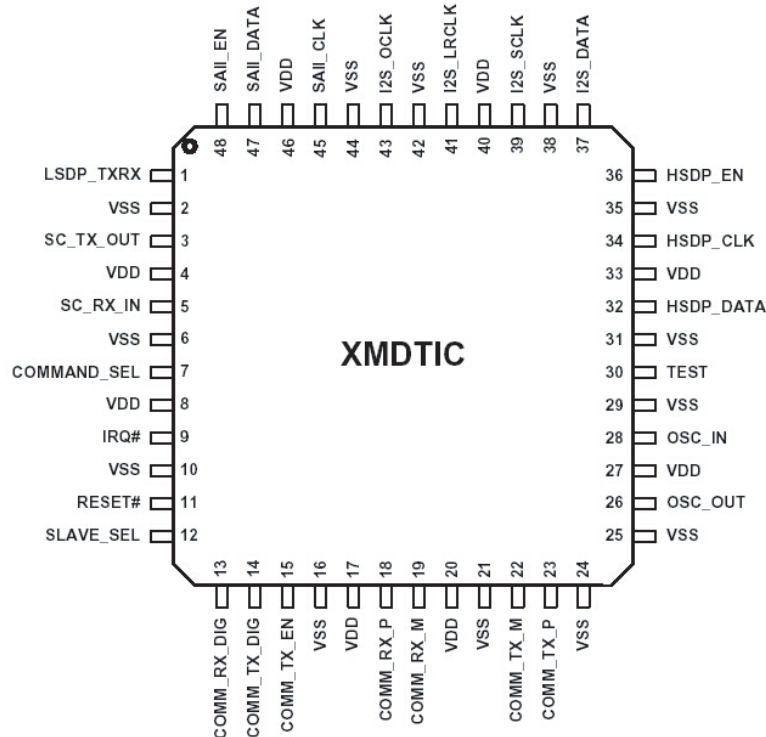
Q7101 : F2602-01(XM Digital Transceiver) -1/3

BLOCK DIAGRAM

Figure 2.1 below shows a basic top level diagram showing each functional block in the XM/DT device.



PIN LAYOUT



IC BLOCK DIAGRAMS AND TERMINAL DESCRIPTIONS-2

Q7101 : F2602-01(XM Digital Transceiver) -2/3

TERMINAL DESCRIPTION

Pin #	Pin Name	Type	Function in Slave Mode	Function in Master Mode	Notes
1	LSDP_TXRX	S=In M=Out	Low Speed Data Port Output	Low Speed Data Port Input	LVTTL S/T
3	SC_TX_OUT	S=Out M=Out	System Controller Bus (CBM) Transmit Data Out	System Controller Bus (CBM) Transmit Data Out	4mA, SLC
5	SC_RX_IN	S=In M=In	System Controller Bus (CBM) Receive Data In	System Controller Bus (CBM) Receive Data In	LVTTL S/T
7	COMMAND_SEL	S=In M=In	Command Mode Select In (1= Command Mode, 0=Normal Mode)	Command Mode Select In (1= Command Mode, 0=Normal Mode)	LVTTL S/T
9	IRQ#	S=Out M=Out	Interrupt Request Out (Active Low)	Interrupt Request Out (Active Low)	4mA Open Drain
11	RESET#	S=In M=In	Asynchronous Reset In, (Active Low)	Asynchronous Reset In, (Active Low)	LVTTL S/T
12	SLAVE_SEL	S=In M=In	M/S Mode Select In (High = Slave Mode)	M/S Mode Select In (Low = Master Mode)	LVTTL S/T
13	COMM_RX_DIG	S=In M=In	DT Comm Bus External Transceiver Receive Data In	DT Comm Bus External Transceiver Receive Data In	LVTTL S/T
14	COMM_TX_DIG	Output	DT Comm Bus External Transceiver Transmit Data Out	DT Comm Bus External Transceiver Transmit Data Out	LVTTL S/T
15	COMM_TX_EN	Output	DT Comm Bus External Transceiver Direction Out (1=Transmit, 0=Receive)	DT Comm Bus External Transceiver Direction Out (1=Transmit, 0=Receive)	LVTTL S/T
18	COMM_RX_P	S=In M=In	DT Comm Bus Internal Receiver Differential Positive In	DT Comm Bus Internal Receiver Differential Positive In	LVDS in+
19	COMM_RX_M	S=In M=In	DT Comm Bus Internal Receiver Differential Negative In	DT Comm Bus Internal Receiver Differential Negative In	LVDS in-
22	COMM_TX_M	Output	DT Comm Bus Internal Transmitter Differential Negative Out	DT Comm Bus Internal Transmitter Differential Negative Out	LVDS out-
23	COMM_TX_P	Output	DT Comm Bus Internal Transmitter Differential Positive Out	DT Comm Bus Internal Transmitter Differential Positive Out	LVDS out+
26	OSC_OUT	Output	Crystal Output	Crystal Output	Crystal Buffer
28	OSC_IN	S=In M=In	Crystal Input	Crystal Input	Crystal Buffer
30	TEST	S=In M=In	Factory Test Mode Select (1=Test, 0= Normal Oper.)	Factory Test Mode Select (1=Test, 0= Normal Oper.)	LVTTL S/T
32	HSDP_DATA	S=In M=Out	High Speed Data Port Data Input	High Speed Data Port Data Output	Out= 4mA, SLC In=LVTTL S/T
34	HSDP_CLK	S=In M=Out	High Speed Data Port Clock Input	High Speed Data Port Clock Output	Out= 4mA, SLC In=LVTTL S/T
36	HSDP_EN	S=Out M=In	High Speed Data Port Enable Output	High Speed Data Port Enable Input	Out= 4mA, SLC In=LVTTL S/T
37	I2S_DATA	S=In M=Out	I2S Digital Port Data In	I2S Digital Audio Port Data Out	Out= 4mA, SLC In=LVTTL S/T

IC BLOCK DIAGRAMS AND TERMINAL DESCRIPTIONS-3

Q7101 : F2602-01(XM Digital Transceiver) -3/3

TERMINAL DESCRIPTION (Continue)

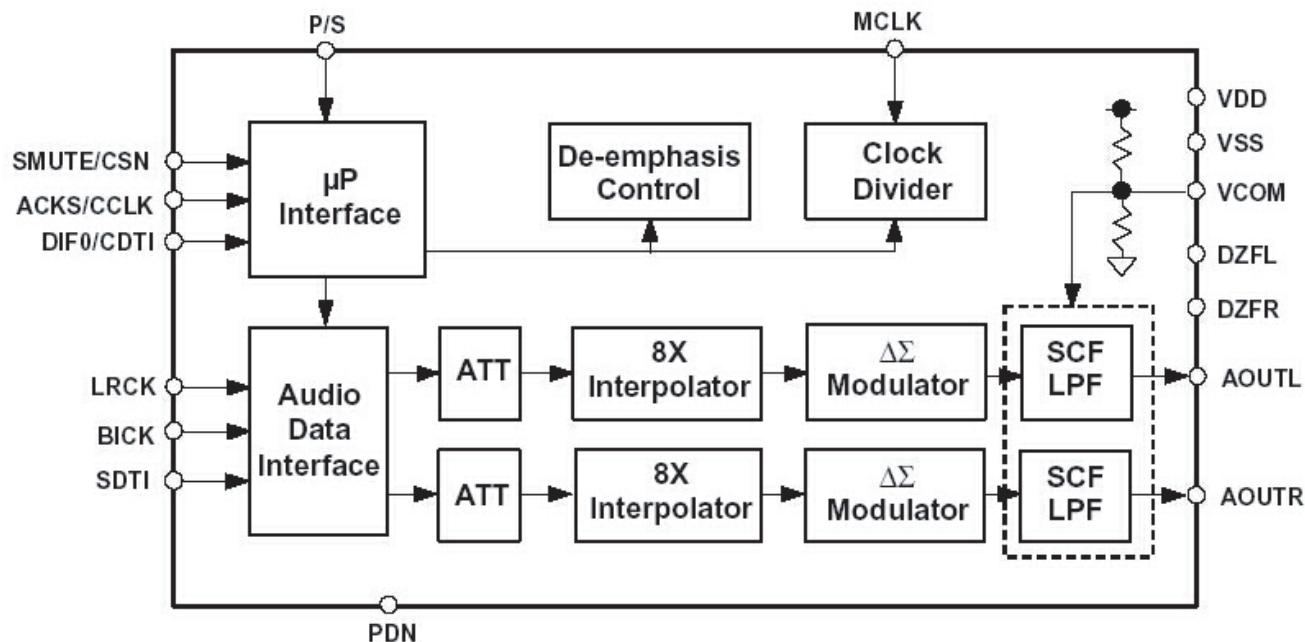
Pin #	Pin Name	Type	Function in Slave Mode	Function in Master Mode	Notes
39	I2S_SCLK	S=In M=Out	I2S Digital Audio Port Bit Clock In	I2S Digital Audio Port Bit Clock Out	Out= 4mA, SLC In=LVTTL S/T
41	I2S_LRCLK	S=In M=Out	I2S Digital Audio Port Left/Right Clock In	I2S Digital Audio Port Left/Right Clock Out	Out= 4mA, SLC In=LVTTL S/T
43	I2S_OCLK	S=In M=Out	I2S Digital Audio Port Oversample Clock (not used - connect to Gnd???)	I2S Digital Audio Port Oversample Clock Out	Out= 4mA, SLC
45	SAIL_CLK	S=Out M=In	SAIL Port Clock Output	SAIL Port Clock Input	Out= 4mA, SLC 3.3V S/T
47	SAIL_DATA	S=Out M=In	SAIL Port Data Output	SAIL Port Data Input	Out= 4mA, SLC In=LVTTL S/T
48	SAIL_REQ	S=In M=Out	SAIL Port Request Input	SAIL Port Request Output	Out= 4mA, SLC In=LVTTL S/T

Pin#	Pin Name	Type	Function in Slave Mode	Function in Master Mode	Notes
4, 8, 17, 20, 27, 33, 40, 46	VDD	PWR	+3.3V Supply Voltage	+3.3V Supply Voltage	
2, 6, 10, 16, 21, 24, 25, 29, 31, 25, 38, 42, 44	VSS	GND	Digital Ground	Digital Ground	

IC BLOCK DIAGRAMS AND TERMINAL DESCRIPTIONS-4

Q7102 : AK4384ET(192kHz 24-Bit 2ch DAC)

BLOCK DIAGRAM



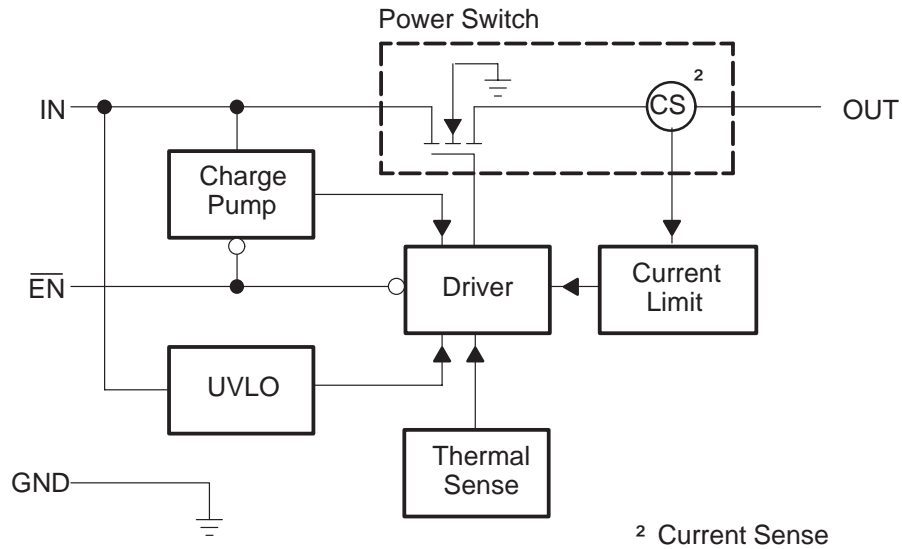
TERMINAL DESCRIPTION

No.	Pin Name	I/O	Function
1	MCLK	I	Master Clock Input Pin An external TTL clock should be input on this pin.
2	BICK	I	Audio Serial Data Clock Pin
3	SDTI	I	Audio Serial Data Input Pin
4	LRCK	I	L/R Clock Pin
5	PDN	I	Power-Down Mode Pin When at "L", the AK4384 is in the power-down mode and is held in reset. The AK4384 should always be reset upon power-up.
6	SMUTE	I	Soft Mute Pin in parallel mode "H": Enable, "L": Disable
	CSN	I	Chip Select Pin in serial mode
7	ACKS	I	Auto Setting Mode Pin in parallel mode "L": Manual Setting Mode, "H": Auto Setting Mode
	CCLK	I	Control Data Clock Pin in serial mode
8	DIF0	I	Audio Data Interface Format Pin in parallel mode
	CDTI	I	Control Data Input Pin in serial mode
9	P/S	I	Parallel/Serail Select Pin (Internal pull-up pin) "L": Serial control mode, "H": Parallel control mode
10	AOUTR	O	Rch Analog Output Pin
11	AOUTL	O	Lch Analog Output Pin
12	VCOM	O	Common Voltage Pin, VDD/2 Normally connected to VSS with a 0.1μF ceramic capacitor in parallel with a 10μF electrolytic cap.
13	VSS	-	Ground Pin
14	VDD	-	Power Supply Pin
15	DZFR	O	Rch Data Zero Input Detect Pin
16	DZFL	O	Lch Data Zero Input Detect Pin

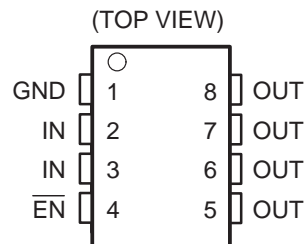
IC BLOCK DIAGRAMS AND TERMINAL DESCRIPTIONS-5

Q7104 : TPS2011AD (Power-Distribution Switches)

BLOCK DIAGRAM



PIN LAYOUT



TERMINAL DESCRIPTION

NAME	TERMINAL	I/O	DESCRIPTION
$\overline{\text{EN}}$	4	I	Enable input. Logic low turns on power switch.
GND	1	I	Ground.
IN	2, 3	I	Input voltage.
OUT	5, 6, 7, 8	O	Power-switch output.

MICROPROCESSOR TERMINAL DESCRIPTIONS-1

Q701 : M30627MHP-282GPU0

Pin No.	Pin name	I/O	Act.	Description
1	VREF	---	---	A/D reference voltage power supply.
2	AVCC	---	---	A/D Power supply.
3	NU	---	---	Not used.
4	OSDSDO	O	H	Serial data output to OSD IC.
5	OSDCLK	O	CLK	Serial clock output to OSD IC.
6	OSDCS	O	H	Chip select output to OSD IC.
7	XMRST	I/O	L	Reset signal output to XM microprocessor.
8	XMSDO	O	H	Serial data output to XM microprocessor.
9	XMSDI	I	H	Serial data input form XM microprocessor.
10	XMCLK	O	CLK	Serial clock output to XM microprocessor.
11	XMREQ1	O	L	Chip request output to XM microprocessor.
12	XMREQ2	I	H	Chip request input from XM microprocessor.
13	NU	---	---	Not used.
14	CNVSS	---	---	For processor mode select. Connect to ground.
15	SDET	I	L	S-video signal detection input.
16	SYNC	I	L	Synchronous signal detection input.
17	RESET	I	L	System reset input.
18	XOUT	O	H	Crystal oscillation circuit output.
19	VSS	---	---	Ground.
20	XIN	I	H	Crystal oscillation circuit input.
21	VCC1	---	---	Power supply.
22	NU	I	L	Not used.
23	VSYNC	I	L	Vertical synchronous signal detection input.
24	REMIN	I	L	Signal input form remote sensor.
25	POFF	I	H	Power failure detection input.
26	NU	---	---	Not used.
27	DIRINT0	I	H	Interrupt request signal input from DIR.
28	DIRCS	O	L	Chip select signal output to DIR/CODEC.
29	DIRRST	O	L	Reset signal output to DIR/CODEC.
30	DSPFCS	O	L	DSP A/B chip select signal output.
31	DSPCS	O	L	DSP C chip select signal output.
32	VMUT	O	L	Video mute control output to video section.
33	VCRST	O	L	Reset signal output to video decoder/encoder IC.
34	VCSCS	O	CLK	Serial clock output to video decoder/encoder IC.
35	VCSDA	I/O	H	Serial data output to video decoder/encoder IC.
36	FTXD	O	H	For writing of flash microprocessor.
37	VCC1	---	---	Power supply.
38	FRXD	I	H	For writing of flash microprocessor.
39	VSS	---	---	Ground.
40	FCLK	O	CLK	For writing of flash microprocessor.
41	FBUSY	O	H	For writing of flash microprocessor.
42	PLLSDA	I/O	H	Serial data input/output for PLL.
43	PLLSCL	O	CLK	Serial clock output to PLL.
44	STEREO	I	L	FM stereo signal detection input.
45	TUNED	I	L	Tuning signal detection input.
46	NU	---	---	Not used.
47	NU	---	---	Not used.
48	NU	---	---	Not used.
49	NU	---	---	Not used.
50	DSPINT	I	L	DSP C interrupt request detection input.

MICROPROCESSOR TERMINAL DESCRIPTIONS-2

Q701 : M30627MHP-282GPU0

Pin No.	Pin name	I/O	Act.	Description
51	DSPFINT	I	L	DSP AB interrupt request detection input.
52	FEPM	O	H	For writing of flash microprocessor.
53	DSRST	O	L	Reset signal output to DSP.
54	NU	---	---	Not used.
55	NU	---	---	Not used.
56	NU	---	---	Not used.
57	NU	---	---	Not used.
58	VOLSTB	O	H	Strobe output to volume IC.
59	VOLCLK	O	CLK	Serial clock output to volume IC.
60	VOLDAT	O	H	Serial data output to volume IC.
61	FCE	I	H	For writing of flash microprocessor.
62	NU	---	---	Not used.
63	NU	---	---	Not used.
64	NU	---	---	Not used.
65	Z2MUT	O	H	Mute control output to Zone-2 output.
66	SBZ2MUT	O	H	Mute control output to surround back / Zone-2 circuit.
67	AMUT	O	H	Mute control output to audio circuit.
68	SPRLF	O	H	Front speaker relay control output.
69	SPRLCS	O	H	Center/Surround speaker relay control output.
70	SPRLSB	O	H	Surround back speaker relay control output.
71	SPRLZ2	O	H	Zone-2 speaker control output.
72	DIGSDO	O	H	Serial communication signal output to DIR/CODEC/DSP.
73	DIGSDI	I	H	Serial communication signal input from DIR/CODEC/DSP.
74	DIGCLK	O	CLK	Serial communication clock output to DIR/CODEC/DSP.
75	DSPBUSY	I	H	Busy detection signal input from DSP.
76	NU	---	---	Not used.
77	NU	---	---	Not used.
78	VPOWER	O	H	Control signal output to video circuit power supply.
79	APOWER	O	H	Control signal output to audio circuit power supply.
80	NU	---	---	Not used.
81	NU	---	---	Not used.
82	NU	---	---	Not used.
83	NU	---	---	Not used.
84	TRGZ2	O	H	12V trigger out/Zone-2 signal output.
85	VCC2	---	---	Power supply.
86	SEC1H	O	H	Control signal output to power amplifier power supply.
87	VSS	---	---	Ground.
88	VOLH	I	A/D	Speaker output level detection input.
89	THERMAL	I	A/D	Thermal sensor detection input.
90	PROTECT	I	H	Over current detection input for speaker protect.
91	FSWSTB	O	H	Strobe output to function switch.
92	FSWCLK	O	H	Serial clock output to function switch.
93	FSWSDO	O	H	Serial data output to function switch.
94	NU	---	---	Not used
95	NU	---	---	Not used
96	SYSIN	I	H	System control (RI) signal input.
97	IRIN	I	L	IR IN signal input.
98	NU	---	---	Not used.
99	SYSOUT	O	L	System control (RI) signal output.
100	NU	---	---	Not used.

MICROPROCESSOR TERMINAL DESCRIPTIONS-3

Q701 : M30627MHP-282GPU0

Pin No.	Pin name	I/O	Act.	Description
101	NU	O	H	Not used.
102	LEDSTBY	O	L	Standby LED control output.
103	NU	---	---	Not used.
104	HPDET	I	H	Phones detection signal input.
105	MICDET	I	L	Setup mic detection signal input.
106	VOLB	I	H	Data input from rotary encoder (master volume).
107	VOLA	I	H	Data input from rotary encoder (master volume).
108	INIT3	I	A/D	Initial setting-3.
109	INIT2	I	A/D	Initial setting-2.
110	INIT1	I	A/D	Initial setting-1.
111	BAND	I	A/D	Tuner band setting.
112	LEDZONE2	O	H	Zone-2 LED control output.
113	NU	---	---	Not used.
114	NU	---	---	Not used.
115	NU	---	---	Not used.
116	FLDSDO	O	H	Serial data output to FL driver.
117	FLDCLK	O	H	Serial clock output to FL driver.
118	FLDCS	O	H	Chip select output to FL driver.
119	FLDRST	O	L	Reset output to FL driver.
120	KEYINT3	I	L	Key input-3 (interrupt).
121	KEYINT2	I	L	Key input-2 (interrupt).
122	KEYINT1	I	L	Key input-1 (interrupt).
123	KEYINT0	I	L	Key input-0 (interrupt).
124	KEY3	I	A/D	Key input-3.
125	KEY2	I	A/D	Key input-2.
126	KEY1	I	A/D	Key input-1.
127	AVSS	---	---	Ground.
128	KEY0	I	A/D	Key input-0

ADJUSTMENT PROCEDURE-1

IDLING CURRENT ADJUSTMENT

[When]

1. Exchange Power transistors (Q6050 - Q6066).
2. Exchange Amplifier PC board ass'y (NAAF-8523).

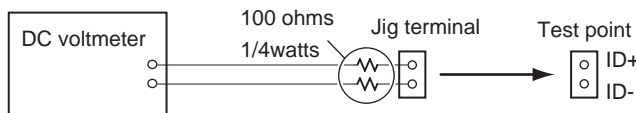
[Procedure]

<Note> No load and No signal

Refer to " ADJUSTMENT PROCEDURE-2 " about the adjustment points and the test points.

1. Before idling adjustment, turn the trimming resistors to counter clockwise.
2. Connect the DC voltmeter to test points.

Connect 100 ohm resistance near the terminal of the two poles of a Jig terminal.



3. Connect the AC power cord to wall outlet.
4. Press the STANDBY/ON button into the power on.
5. Adjust the trimming resistors as following procedure immediately after power on.

Channel	Mark	Adjustment point (Trimming resistor)	Measuring point (Test point)	Adjustment value
Left	L	R6040	P6080	2.5 mV
Right	R	R6041	P6081	2.5 mV
Center	C	R6042	P6082	2.5 mV
Surround Left	SL	R6043	P6083	1.5 mV
Surround Right	SR	R6044	P6084	1.5 mV
Surround Back Left	SBL	R6045	P6085	1.5 mV
Surround Back Right	SBR	R6046	P6086	1.5 mV

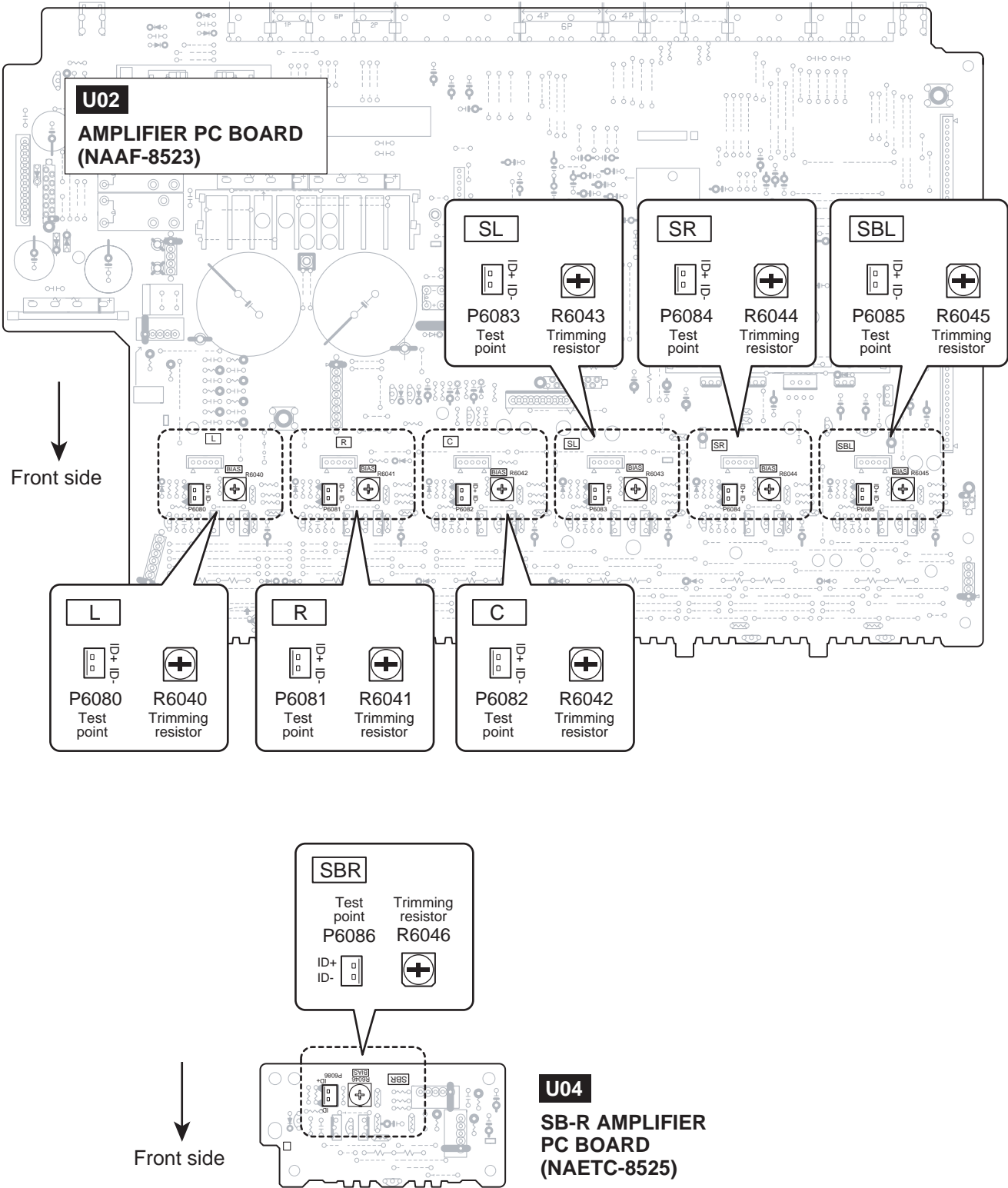
6. Wait for 4 - 6 minutes. (Heat running)
7. Re-adjust the trimming resistors as following procedure.

Channel	Adjustment point	Measured value	Adjustment value	Specifications (* In a stable state)
Left, Right and Center	R6040, R6041 and R6042	In case below 9 mV	→ 9 mV	12 +/- 3 mV
		In case 9 - 11 mV	→ Leave it as it is	
		In case over 11 mV	→ 11 mV	
Surround Left Surround Right Surround Back Left Surround Back Right	R6043, R6044, R6045 and R6046	In case below 6 mV	→ 6 mV	9 +/- 3 mV
		In case 6 - 8 mV	→ Leave it as it is	
		In case over 8 mV	→ 8 mV	

8. Disconnect the DC voltmeter.
9. Press the STANDBY/ON button into the power off.
10. Disconnect the AC power cord.

* Idling current are stabilized in about 10 minutes after a power supply ON.

ADJUSTMENT PROCEDURE-2 IDLING CURRENT ADJUSTMENT



TX-SR603X**<Note>**

Parts marked by "NSP" are generally unavailable because they are not in our Master Spare Parts List.

NOTE : THE COMPONENTS IDENTIFIED BY THE MARK
! ARE CRITICAL FOR RISK OF FIRE AND
ELECTRIC SHOCK. REPLACE ONLY WITH PART
NUMBER SPECIFIED.

<Notes>

(B) : Black model

(S) : Silver model

<DD> : USA model

<DC> : Canadian model

EXPLODED VIEW PARTS LIST

	REF. NO.	NAME	DESCRIPTION	Q'TY	PART NO	REMARKS
EV	A001	F BRACKET	TX-SR603(B)MDD	1	27111395A	(B)
EV	A001	F BRACKET	TX-SR603(S)MDC	1	27111397A	(S)
EV	A005	KNOB	(SEL-L)	1	28326308	(B)
EV	A005	KNOB	(SEL-L)	1	28326311	(S)
EV	A006	KNOB	(SEL-R)	1	28326312	(B)
EV	A006	KNOB	(SEL-R)	1	28326315	(S)
EV	A007	FACET	(ST)	1	28198998A	
EV	A011	SCREW	3TTB+8B(CU)SR	39	801618	
EV	A013	WIRE TIE	BSK-1	12	260208	
EV	A014	CLIP	CS-1U	1	27255004	
EV	A015	CHASSIS	---	1	---	NSP
EV	A017	TAPE	TAPE(CLOTH-16U)	(1)	29110083	
EV	A018	HOLDER	KGLS-22S	1	27190369	
EV	A020	HOLDER	KGLS-14RT	3	27190524	
EV	A021	HOLDER	HOLDER	2	27190991	
EV	A030	SCREW	4TTC+8C(3BC)	4	830440089GR	
EV	A031	SPACER	---	1	27270439	
EV	A033	LABEL	(PT)	1	29363379-1	
EV	A041	BUSHING	S-RELIEF #2271	1	27300750	!
EV	A043	HEAT SINK	AS	1	27160565A	
EV	A046	BRACKET	BRACKET	2	27130745	
EV	A049	SCREW	3SMH10W.SW+15B(CU)	14	801606	
EV	A050	IB CUSHION	W15x3t TAPE	1	28141585	
EV	A052	BRACKET	(U)	1	27130986A	
EV	A054	CUSHION	(RE)	1	28141632	
EV	A055	CUSHION	t3x50x10	2	28141563	
EV	A058	FACET	(VOL)	1	28198999A	
EV	A060	COVER	---	1	28184923	(B)
EV	A060	COVER	---	1	28184924	(S)
EV	A061	SCREW	3TTB+8B(3BC)	6	838430088GR	(B)
EV	A061	SCREW	3TTB+8B(3CM)	6	838130088GR	(S)
EV	A064	LEG	LEG	4	27175319B	
EV	A066	CUSHION	---	8	28141494	
EV	A068	SCREW	3TTB+8B(3BC)	43	838430088GR	
EV	A070	CLEAR PLT	---	1	28192064A	(B)
EV	A070	CLEAR PLT	---	1	28192065A	(S)
EV	A071	CUSHION	---	1	28141631	
EV	A073	F PANEL	TX-SR603X(B)	1	27212821	(B)

EV	A073	F PANEL	TX-SR603X(S)	1	27212822	(S)
EV	A077	BADGE	---	1	28135244	(B)
EV	A077	BADGE	---	1	28135298	(S)
EV	A081	FACET(S)	---	1	28191920	
EV	A093	REAR PANEL	---	1	27123500A	
EV	A102	LABEL	(COVER)	1	29364123	
EV	A109	LABEL	HOOKUP-ONKYO	1	29363194	
EV	A110	KNOB	(VOL)AS	1	28326289	(B)
EV	A110	KNOB	(VOL)AS	1	28326295	(S)
EV	A111	CUSHION	---	4	28141637	
EV	F901	FUSE	10A-UL/T-233	1	252330GR	!
EV	F901C	FUSE LABEL	10A/125V	1	29362241	!
EV	F903	FUSE	5A-UL/T-233	1	252326GR	!
EV	F6901	FUSE	12A-UL/T-314	1	252196	!
EV	F6901 or	FUSE	12A-TUL-250V	(1)	252301GR	!
EV	F6901C	FUSE LABEL	12A/250V	1	29362325	!
EV	F6902	FUSE	12A-UL/T-314	1	252196	!
EV	F6902 or	FUSE	12A-TUL-250V	(1)	252301GR	!
EV	F9501	FUSE	4A-UL/T-233	1	252325GR	!
EV	F9501A	LABEL	4A/125V	1	29360467	!
EV	P101	FFC	NCFC7-131012	1	2047131012	
EV	P701	FFC	NCFC5-402022	1	2045402022	
EV	P901	AC CORD	AS-UC-2	1	253368LTK	!
EV	P901 or	AC CORD	AS-UC-2	(1)	253333VOL	!
EV	P901 or	AC CORD	AS-UC-2	(1)	253368YUN	!
EV	Q6050	TR	2SC5242-O	1	2202843	
EV	Q6050 or	TR	2SC5242-R	(1)	2202842	
EV	Q6050A	ISO SHEET	AC238	14	223024	
EV	Q6051	TR	2SC5242-O	1	2202843	
EV	Q6051 or	TR	2SC5242-R	(1)	2202842	
EV	Q6052	TR	2SC5242-O	1	2202843	
EV	Q6052 or	TR	2SC5242-R	(1)	2202842	
EV	Q6053	TR	2SC5242-O	1	2202843	
EV	Q6053 or	TR	2SC5242-R	(1)	2202842	
EV	Q6053 or	TR	MN130S-O	(1)	2203663	
EV	Q6053 or	TR	MN130S-P	(1)	2203666	
EV	Q6053 or	TR	MN130S-Y	(1)	2203664	
EV	Q6054	TR	2SC5242-O	1	2202843	
EV	Q6054 or	TR	2SC5242-R	(1)	2202842	
EV	Q6054 or	TR	MN130S-O	(1)	2203663	
EV	Q6054 or	TR	MN130S-P	(1)	2203666	
EV	Q6054 or	TR	MN130S-Y	(1)	2203664	
EV	Q6055	TR	2SC5242-O	1	2202843	
EV	Q6055 or	TR	2SC5242-R	(1)	2202842	
EV	Q6055 or	TR	MN130S-O	(1)	2203663	
EV	Q6055 or	TR	MN130S-P	(1)	2203666	
EV	Q6055 or	TR	MN130S-Y	(1)	2203664	
EV	Q6056	TR	2SC5242-O	1	2202843	
EV	Q6056 or	TR	2SC5242-R	(1)	2202842	
EV	Q6056 or	TR	MN130S-O	(1)	2203663	
EV	Q6056 or	TR	MN130S-P	(1)	2203666	
EV	Q6056 or	TR	MN130S-Y	(1)	2203664	
EV	Q6060	TR	2SA1962-O	1	2202833	

EV	Q6060 or	TR	2SA1962-R	(1)	2202832	
EV	Q6061	TR	2SA1962-O	1	2202833	
EV	Q6061 or	TR	2SA1962-R	(1)	2202832	
EV	Q6062	TR	2SA1962-O	1	2202833	
EV	Q6062 or	TR	2SA1962-R	(1)	2202832	
EV	Q6063	TR	2SA1962-O	1	2202833	
EV	Q6063 or	TR	2SA1962-R	(1)	2202832	
EV	Q6063 or	TR	MP130S-O	(1)	2203673	
EV	Q6063 or	TR	MP130S-P	(1)	2203676	
EV	Q6063 or	TR	MP130S-Y	(1)	2203674	
EV	Q6064	TR	2SA1962-O	1	2202833	
EV	Q6064 or	TR	2SA1962-R	(1)	2202832	
EV	Q6064 or	TR	MP130S-O	(1)	2203673	
EV	Q6064 or	TR	MP130S-P	(1)	2203676	
EV	Q6064 or	TR	MP130S-Y	(1)	2203674	
EV	Q6065	TR	2SA1962-O	1	2202833	
EV	Q6065 or	TR	2SA1962-R	(1)	2202832	
EV	Q6065 or	TR	MP130S-O	(1)	2203673	
EV	Q6065 or	TR	MP130S-P	(1)	2203676	
EV	Q6065 or	TR	MP130S-Y	(1)	2203674	
EV	Q6066	TR	2SA1962-O	1	2202833	
EV	Q6066 or	TR	2SA1962-R	(1)	2202832	
EV	Q6066 or	TR	MP130S-O	(1)	2203673	
EV	Q6066 or	TR	MP130S-P	(1)	2203676	
EV	Q6066 or	TR	MP130S-Y	(1)	2203674	
EV	<Note>					
EV	Must use the same HFE rank mutually about the following parts.					
EV	Ref. No. : Q6050 - 6060, Q6051 - 6061, Q6052 - 6062, Q6053 - 6063, Q6054 - 6064, Q6055 - 6065, Q6056 - 6066					
EV	T901	P TRANS	NPT-1525D	1	2301828	!
EV	U01	VIDEO PC board ass'y	NAVD-8476-1A	1	1B068576-1A	
EV	U02	AMPLIFIER PC board ass'y	NAAF-8523-1P	1	1B111523-1P	
EV	U03	SEC. TERMINAL-2 PC board ass'y	NAPS-8524-1P	1	1B111524-1P	
EV	U04	SB-R AMPLIFIER PC board ass'y	NAETC-8525-1P	1	1B111525-1P	
EV	U05	THERMAL SENSOR PC board ass'y	NAETC-8526-1P	1	1B111526-1P	
EV	U06	HOLDER PC board ass'y	NAETC-8527-1P	1	1B111527-1P	
EV	U07	POWER SUPPLY-1 PC board ass'y	NAPS-8533-2B	1	1B111533-2B	
EV	U08	POWER SUPPLY-2 PC board ass'y	NAPS-8535-2B	1	1B111535-2B	
EV	U09	SEC. TERMINAL-1 PC board ass'y	NAPS-8536-2B	1	1B111536-2B	
EV	U10	SPEAKER TERMINAL PC board ass'y	NAETC-8537-2B	1	1B111537-2B	
EV	U11	CENTER SPEAKER TERMINAL PC board ass'y	NAETC-8538-2B	1	1B111538-2B	
EV	U12	DRIVER AMPLIFIER PC board ass'y	NAAF-8540-2B	1	1B111540-2B	
EV	U13	DISPLAY PC board ass'y	NADIS-8625-1A	1	1B111525-1A	
EV	U14	DSP PC board ass'y	NADG-8626-1A	1	1B111526-1A	
EV	U15	SWITCH PC board ass'y	NASW-8627-1A	1	1B111527-1A	
EV	U16	HEADPHONE JACK PC board ass'y	NAETC-8628-1A	1	1B111528-1A	
EV	U17	VIDEO 4 DIGITAL INPUT PC board ass'y	NAETC-8629-1A	1	1B111529-1A	
EV	U18	REGULATOR PC board ass'y	NAPS-8630-1A	1	1B111530-1A	
EV	U20	HOLDER PC board ass'y	NAETC-8632-1A	1	1B111532-1A	
EV	U21	XM DIGITAL TRANSCEIVER PC board ass'y	NARF-8688-2B	1	1B111588-2B	
EV	U22	TUNER UNIT	FAE385-A11US	1	240152	
EV	U22 or	TUNER UNIT	ENG06507QFUS	(1)	240156	

PCB1 **PC BOARD PARTS LIST**
 PCB1 **U01 VIDEO PC BOARD (NAVD-8476-1A)**
 PCB1

PCB1	CIRCUIT NO.	NAME	DESCRIPTION	Q'TY	PART NO	REMARKS
PCB1	Q2001	IC	NJM2595M	1	22241946R2	
PCB1	Q2002	IC	NJM2595M	1	22241946R2	
PCB1	Q2003	IC	NJM2595M	1	22241946R2	
PCB1	Q2004	IC	LC74763-9836	1	22241779	
PCB1	Q2101	IC	ADV7183B	1	22242202R3	
PCB1	Q2102	IC	TA48033AF(TE16L, NQ)	1	22278033DR2TO	
PCB1	Q2102 or	IC	BA33BC0FP	(1)	22278033DR2RH	
PCB1	Q2103	IC	TA48018AF(TE16L, NQ)	1	22278018DR2TO	
PCB1	Q2103 or	IC	BA18BC0FP	(1)	22278018DR2RH	
PCB1	Q2104	IC	ADV7172	1	22242155R3	
PCB1	Q2106	IC	LA7106MFP	1	22241465R2	
PCB1	Q2107	IC	LA7106MFP	1	22241465R2	
PCB1	Q2111	IC	NJU7313AM	1	22242211R2	
PCB1	Q2005	TR	KTC3875-GR	1	2216175R2	
PCB1	Q2005 or	TR	2SC2712-GR	(1)	2213145R2	
PCB1	Q2006	TR	RN1443	1	2215510R2	
PCB1	Q2006 or	TR	KRC286S	(1)	2217250R2	
PCB1	Q2007	TR	RN1443	1	2215510R2	
PCB1	Q2007 or	TR	KRC286S	(1)	2217250R2	
PCB1	Q2008	TR	KTA1504-GR	1	2216185R2	
PCB1	Q2008 or	TR	2SA1162-GR	(1)	2214375R2	
PCB1	Q2009	TR	KTA1504-GR	1	2216185R2	
PCB1	Q2009 or	TR	2SA1162-GR	(1)	2214375R2	
PCB1	Q2010	TR	RN2402	1	2214530R2	
PCB1	Q2010 or	TR	KRA102S	(1)	2216220R2	
PCB1	Q2010 or	TR	UNR2111	(1)	2217110R2	
PCB1	Q2012	TR	RN1443	1	2215510R2	
PCB1	Q2012 or	TR	KRC286S	(1)	2217250R2	
PCB1	Q2013	TR	RN1443	1	2215510R2	
PCB1	Q2013 or	TR	KRC286S	(1)	2217250R2	
PCB1	Q2017	TR	RN1443	1	2215510R2	
PCB1	Q2017 or	TR	KRC286S	(1)	2217250R2	
PCB1	Q2018	TR	RN1443	1	2215510R2	
PCB1	Q2018 or	TR	KRC286S	(1)	2217250R2	
PCB1	Q2020	TR	RN1443	1	2215510R2	
PCB1	Q2020 or	TR	KRC286S	(1)	2217250R2	
PCB1	Q2022	TR	KTA1504-GR	1	2216185R2	
PCB1	Q2022 or	TR	2SA1162-GR	(1)	2214375R2	
PCB1	Q2023	TR	RN1443	1	2215510R2	
PCB1	Q2023 or	TR	KRC286S	(1)	2217250R2	
PCB1	Q2024	TR	RN1443	1	2215510R2	
PCB1	Q2024 or	TR	KRC286S	(1)	2217250R2	
PCB1	Q2025	TR	RN1443	1	2215510R2	
PCB1	Q2025 or	TR	KRC286S	(1)	2217250R2	
PCB1	Q2051	TR	KRC101S	1	2216330R2	
PCB1	Q2051 or	TR	RN1401	(1)	2214460R2	
PCB1	Q2052	TR	KRC101S	1	2216330R2	
PCB1	Q2052 or	TR	RN1401	(1)	2214460R2	
PCB1	Q2053	TR	KRC101S	1	2216330R2	

PCB1	Q2053 or	TR	RN1401	(1)	2214460R2
PCB1	Q2054	TR	KRC101S	1	2216330R2
PCB1	Q2054 or	TR	RN1401	(1)	2214460R2
PCB1	Q2105	TR	KRC101S	1	2216330R2
PCB1	Q2105 or	TR	RN1401	(1)	2214460R2
PCB1	Q2108	TR	2SK3019	1	2216520R2
PCB1	Q2109	TR	2SK3019	1	2216520R2
PCB1	Q2201	TR	KTC3875-GR	1	2216175R2
PCB1	Q2201 or	TR	2SC2712-GR	(1)	2213145R2
PCB1	Q2202	TR	KTC3875-GR	1	2216175R2
PCB1	Q2202 or	TR	2SC2712-GR	(1)	2213145R2
PCB1	D2001	C-DIODE	MA2J111	1	223279R2
PCB1	D2001 or	C-DIODE	1SS355	(1)	223269R2
PCB1	D2001 or	C-DIODE	1SS352	(1)	223234R2
PCB1	D2002	C-DIODE	MA2J111	1	223279R2
PCB1	D2002 or	C-DIODE	1SS355	(1)	223269R2
PCB1	D2002 or	C-DIODE	1SS352	(1)	223234R2
PCB1	D2003	C-DIODE	MA2J111	1	223279R2
PCB1	D2003 or	C-DIODE	1SS355	(1)	223269R2
PCB1	D2003 or	C-DIODE	1SS352	(1)	223234R2
PCB1	D2201	C-DIODE	MA2J111	1	223279R2
PCB1	D2201 or	C-DIODE	1SS355	(1)	223269R2
PCB1	D2201 or	C-DIODE	1SS352	(1)	223234R2
PCB1	D2202	C-DIODE	MA2J111	1	223279R2
PCB1	D2202 or	C-DIODE	1SS355	(1)	223269R2
PCB1	D2202 or	C-DIODE	1SS352	(1)	223234R2
PCB1	X2001	CRYSTAL	HC-49/U0314.318M	1	3010363
PCB1	X2101	CRYSTAL	FCX-03-28.6363MHz	1	3010408R2
PCB1	L2001	CHOKE COIL	NCH-1572	1	231292J056R2
PCB1	L2002	CHOKE COIL	NCH-1471	1	231237K022R2
PCB1	L2002 or	CHOKE COIL	NCH-1587-022K	(1)	233533K022R2
PCB1	L2007	CHOKE COIL	NCH-1471	1	231237K022R2
PCB1	L2007 or	CHOKE COIL	NCH-1587-022K	(1)	233533K022R2
PCB1	L2101	CHOKE COIL	NCH-1471	1	231237K022R2
PCB1	L2101 or	CHOKE COIL	NCH-1587-022K	(1)	233533K022R2
PCB1	L2102	CHOKE COIL	NCH-1477	1	231237K220R2
PCB1	L2103	CHOKE COIL	NCH-1477	1	231237K220R2
PCB1	L2104	CHOKE COIL	NCH-1471	1	231237K022R2
PCB1	L2104 or	CHOKE COIL	NCH-1587-022K	(1)	233533K022R2
PCB1	L2105	CHOKE COIL	NCH-1471	1	231237K022R2
PCB1	L2105 or	CHOKE COIL	NCH-1587-022K	(1)	233533K022R2
PCB1	C2001	C-CERA C	CK725B1H-102K1	1	332101025R1
PCB1	C2002	C-CERA C	CK725B1H-102K1	1	332101025R1
PCB1	C2003	C-CERA C	CK725B1H-102K1	1	332101025R1
PCB1	C2004	VR C	CE04W50V-10M(VR)	1	394681007
PCB1	C2005	VR C	CE04W50V-10M(VR)	1	394681007
PCB1	C2006	C-CERA C	CK725F1E-104Z1	1	332161040R1
PCB1	C2007	VR C	CE04W50V-10M(VR)	1	394681007
PCB1	C2008	VR C	CE04W50V-10M(VR)	1	394681007
PCB1	C2009	C-CERA C	CK725F1E-104Z1	1	332161040R1
PCB1	C2010	C-CERA C	CC725CH1H-470J1	1	342104704R1
PCB1	C2011	C-CERA C	CC725CH1H-470J1	1	342104704R1
PCB1	C2012	C-CERA C	CC725CH1H-470J1	1	342104704R1

PCB1	C2013	VR C	CE04W50V-10M(VR)	1	394681007
PCB1	C2014	VR C	CE04W50V-10M(VR)	1	394681007
PCB1	C2015	C-CERA C	CK725F1E-104Z1	1	332161040R1
PCB1	C2016	C-CERA C	CC725CH1H-470J1	1	342104704R1
PCB1	C2017	C-CERA C	CC725CH1H-470J1	1	342104704R1
PCB1	C2018	C-CERA C	CC725CH1H-470J1	1	342104704R1
PCB1	C2019	VR C	CE04W50V-10M(VR)	1	394681007
PCB1	C2020	VR C	CE04W50V-10M(VR)	1	394681007
PCB1	C2021	C-CERA C	CK725F1E-104Z1	1	332161040R1
PCB1	C2022	C-CERA C	CK725F1E-104Z1	1	332161040R1
PCB1	C2023	VR C	CE04W16V-100M(VR)	1	394641017
PCB1	C2024	VR C	CE04W16V-100M(VR)	1	394641017
PCB1	C2025	C-CERA C	CK725F1E-104Z1	1	332161040R1
PCB1	C2026	C-CERA C	CK725F1E-104Z1	1	332161040R1
PCB1	C2027	VR C	CE04W16V-100M(VR)	1	394641017
PCB1	C2028	VR C	CE04W16V-100M(VR)	1	394641017
PCB1	C2029	C-CERA C	CK725F1E-104Z1	1	332161040R1
PCB1	C2030	C-CERA C	CK725F1E-104Z1	1	332161040R1
PCB1	C2031	VR C	CE04W16V-100M(VR)	1	394641017
PCB1	C2032	VR C	CE04W16V-100M(VR)	1	394641017
PCB1	C2033	C-CERA C	CK725F1E-104Z1	1	332161040R1
PCB1	C2041	C-CERA C	CC725CH1H-100D1	1	342101002R1
PCB1	C2042	C-CERA C	CC725CH1H-180J1	1	342101804R1
PCB1	C2045	C-CERA C	CC725CH1H-470J1	1	342104704R1
PCB1	C2046	C-CERA C	CC725CH1H-470J1	1	342104704R1
PCB1	C2047	C-CERA C	CC725CH1H-470J1	1	342104704R1
PCB1	C2048	C-CERA C	CC725CH1H-470J1	1	342104704R1
PCB1	C2049	VR C	CE04W50V-1M(VR)	1	394680107
PCB1	C2050	C-CERA C	CC725CH1H-470J1	1	342104704R1
PCB1	C2051	VR C	CE04W10V-470M(VR)	1	394634717
PCB1	C2052	C-CERA C	CK725F1E-104Z1	1	332161040R1
PCB1	C2053	VR C	CE04W16V-100M(VR)	1	394641017
PCB1	C2054	VR C	CE04W50V-0.33M(VR)	1	394683397
PCB1	C2055	C-CERA C	CK725B1H-122K1	1	332101225R1
PCB1	C2056	TF C	ECQ-B50V-68J	1	374726824
PCB1	C2057	VR C	CE04W50V-1M(VR)	1	394680107
PCB1	C2058	TF C	ECQ-B50V-223J	1	374722234
PCB1	C2059	C-CERA C	CC725CH1H-220J1	1	342102204R1
PCB1	C2060	C-CERA C	CC725CH1H-270J1	1	342102704R1
PCB1	C2061	VR C	CE04W50V-0.47M(VR)	1	394684797
PCB1	C2063	TF C	ECQ-V50V-334J	1	374723344
PCB1	C2065	VR C	CE04W16V-100M(VR)	1	394641017
PCB1	C2066	C-CERA C	CK725F1E-104Z1	1	332161040R1
PCB1	C2067	C-CERA C	CK725F1E-104Z1	1	332161040R1
PCB1	C2068	C-CERA C	CK725F1E-104Z1	1	332161040R1
PCB1	C2071	C-CERA C	CK725F1E-104Z1	1	332161040R1
PCB1	C2072	C-CERA C	CK725F1E-104Z1	1	332161040R1
PCB1	C2073	VR C	CE04W10V-470M(VR)	1	394634717
PCB1	C2078	VR C	CE04W10V-470M(VR)	1	394634717
PCB1	C2090	C-CERA C	CK725F1E-104Z1	1	332161040R1
PCB1	C2091	VR C	CE04W50V-10M(VR)	1	394681007
PCB1	C2092	VR C	CE04W50V-10M(VR)	1	394681007
PCB1	C2101	C-CERA C	CK725F1E-104Z1	1	332161040R1

PCB1	C2102	VR C	CE04W10V-470M(VR)	1	394634717
PCB1	C2103	C-CERA C	CK725F1E-104Z1	1	332161040R1
PCB1	C2104	CHIP TANTAL	F93-16V-10M	1	395541007R2
PCB1	C2104 or	CHIP TANTAL	TCFGA-1C106M8R	(1)	396041007R2
PCB1	C2105	C-CERA C	CK725F1E-104Z1	1	332161040R1
PCB1	C2106	C-CERA C	CK725F1E-104Z1	1	332161040R1
PCB1	C2107	C-CERA C	CK725F1E-104Z1	1	332161040R1
PCB1	C2108	C-CERA C	CK725F1E-104Z1	1	332161040R1
PCB1	C2109	C-CERA C	CK725F1E-104Z1	1	332161040R1
PCB1	C2110	C-CERA C	CK725F1H-103Z1	1	332151030R1
PCB1	C2111	C-CERA C	CK725F1E-104Z1	1	332161040R1
PCB1	C2112	CHIP TANTAL	F93-16V-10M	1	395541007R2
PCB1	C2112 or	CHIP TANTAL	TCFGA-1C106M8R	(1)	396041007R2
PCB1	C2113	C-CERA C	CK725F1E-104Z1	1	332161040R1
PCB1	C2114	C-CERA C	CK725F1E-104Z1	1	332161040R1
PCB1	C2115	CHIP TANTAL	F93-16V-10M	1	395541007R2
PCB1	C2115 or	CHIP TANTAL	TCFGA-1C106M8R	(1)	396041007R2
PCB1	C2116	C-CERA C	CK725F1E-104Z1	1	332161040R1
PCB1	C2117	CHIP TANTAL	F93-16V-10M	1	395541007R2
PCB1	C2117 or	CHIP TANTAL	TCFGA-1C106M8R	(1)	396041007R2
PCB1	C2118	C-CERA C	CK725F1E-104Z1	1	332161040R1
PCB1	C2119	CHIP TANTAL	F93-16V-10M	1	395541007R2
PCB1	C2119 or	CHIP TANTAL	TCFGA-1C106M8R	(1)	396041007R2
PCB1	C2120	C-CERA C	CK725F1E-104Z1	1	332161040R1
PCB1	C2121	C-CERA C	CK725B1H-102K1	1	332101025R1
PCB1	C2122	C-CERA C	CK725B1H-102K1	1	332101025R1
PCB1	C2123	C-CERA C	CK725F1E-104Z1	1	332161040R1
PCB1	C2124	C-CERA C	CK725F1H-103Z1	1	332151030R1
PCB1	C2125	C-CERA C	CK725F1E-104Z1	1	332161040R1
PCB1	C2126	C-CERA C	CK725F1E-104Z1	1	332161040R1
PCB1	C2128	C-CERA C	CC725CH1H-080D1	1	342100802R1
PCB1	C2129	C-CERA C	CC725CH1H-080D1	1	342100802R1
PCB1	C2130	C-CERA C	CK725F1E-104Z1	1	332161040R1
PCB1	C2131	C-CERA C	CK725F1H-103Z1	1	332151030R1
PCB1	C2132	C-FILM C	ECHU16V-823J	1	373048234R2
PCB1	C2133	C-FILM C	ECHU16V-103J	1	373041034R2
PCB1	C2134	C-CERA C	CK725F1E-104Z1	1	332161040R1
PCB1	C2135	C-CERA C	CK725F1H-103Z1	1	332151030R1
PCB1	C2136	VR C	CE04W10V-470M(VR)	1	394634717
PCB1	C2137	C-CERA C	CK725F1E-104Z1	1	332161040R1
PCB1	C2141	C-CERA C	CK725F1E-104Z1	1	332161040R1
PCB1	C2142	C-CERA C	CK725F1E-104Z1	1	332161040R1
PCB1	C2161	C-CERA C	CK725F1E-104Z1	1	332161040R1
PCB1	C2162	C-CERA C	CK725F1E-104Z1	1	332161040R1
PCB1	C2163	C-CERA C	CK725F1E-104Z1	1	332161040R1
PCB1	C2164	CHIP TANTAL	F93-16V-10M	1	395541007R2
PCB1	C2164 or	CHIP TANTAL	TCFGA-1C106M8R	(1)	396041007R2
PCB1	C2171	C-CERA C	CK732B1A-105K	1	337361055R2
PCB1	C2172	C-CERA C	CK732B1A-105K	1	337361055R2
PCB1	C2173	C-CERA C	CK732B1A-105K	1	337361055R2
PCB1	C2174	C-CERA C	CK732B1A-105K	1	337361055R2
PCB1	C2175	C-CERA C	CK732B1A-105K	1	337361055R2
PCB1	C2176	C-CERA C	CK732B1A-105K	1	337361055R2

PCB1	C2177	VR C	CE04W16V-100M(VR)	1	394641017
PCB1	C2178	C-CERA C	CK725F1E-104Z1	1	332161040R1
PCB1	C2179	C-CERA C	CK725F1E-104Z1	1	332161040R1
PCB1	C2180	VR C	CE04W16V-100M(VR)	1	394641017
PCB1	C2181	VR C	CE04W16V-100M(VR)	1	394641017
PCB1	C2182	C-CERA C	CK725F1E-104Z1	1	332161040R1
PCB1	C2183	C-CERA C	CK725F1E-104Z1	1	332161040R1
PCB1	C2184	VR C	CE04W16V-100M(VR)	1	394641017
PCB1	C2185	C-CERA C	CK725F1E-104Z1	1	332161040R1
PCB1	C2186	C-CERA C	CK725F1E-104Z1	1	332161040R1
PCB1	C2188	C-CERA C	CK725F1E-104Z1	1	332161040R1
PCB1	C2189	C-CERA C	CK725F1E-104Z1	1	332161040R1
PCB1	C2201	C-CERA C	CK725B1H-102K1	1	332101025R1
PCB1	C2202	C-CERA C	CK725B1H-102K1	1	332101025R1
PCB1	R2001	C-CARBON R	RN72K1J-103JE	1	435031034R1
PCB1	R2002	C-CARBON R	RN72K1J-103JE	1	435031034R1
PCB1	R2003	C-CARBON R	RN72K1J-103JE	1	435031034R1
PCB1	R2004	C-CARBON R	RN72K1J-750JE	1	435037504R1
PCB1	R2005	C-CARBON R	RN72K1J-750JE	1	435037504R1
PCB1	R2006	C-CARBON R	RN72K1J-750JE	1	435037504R1
PCB1	R2007	C-CARBON R	RN72K1J-750JE	1	435037504R1
PCB1	R2008	C-CARBON R	RN72K1J-750JE	1	435037504R1
PCB1	R2009	C-CARBON R	RN72K1J-750JE	1	435037504R1
PCB1	R2010	C-CARBON R	RN72K1J-750JE	1	435037504R1
PCB1	R2011	C-CARBON R	RN72K1J-750JE	1	435037504R1
PCB1	R2012	C-CARBON R	RN72K1J-750JE	1	435037504R1
PCB1	R2013	C-CARBON R	RN72K1J-750JE	1	435037504R1
PCB1	R2014	C-CARBON R	RN72K1J-750JE	1	435037504R1
PCB1	R2015	C-CARBON R	RN72K1J-750JE	1	435037504R1
PCB1	R2016	C-CARBON R	RN72K1J-750JE	1	435037504R1
PCB1	R2017	C-CARBON R	RN72K1J-750JE	1	435037504R1
PCB1	R2018	C-CARBON R	RN72K1J-750JE	1	435037504R1
PCB1	R2019	C-CARBON R	RN72K1J-750JE	1	435037504R1
PCB1	R2020	C-CARBON R	RN72K1J-750JE	1	435037504R1
PCB1	R2021	C-CARBON R	RN72K1J-750JE	1	435037504R1
PCB1	R2041	C-CARBON R	RN72K1J-222JE	1	435032224R1
PCB1	R2042	C-CARBON R	RN72K1J-222JE	1	435032224R1
PCB1	R2043	C-CARBON R	RN72K1J-222JE	1	435032224R1
PCB1	R2044	C-CARBON R	RN72K1J-222JE	1	435032224R1
PCB1	R2045	C-CARBON R	RN72K1J-103JE	1	435031034R1
PCB1	R2046	C-CARBON R	RN72K1J-102JE	1	435031024R1
PCB1	R2047	C-CARBON R	RN72K1J-473JE	1	435034734R1
PCB1	R2048	C-CARBON R	RN72K1J-682JE	1	435036824R1
PCB1	R2049	C-CARBON R	RN72K1J-332JE	1	435033324R1
PCB1	R2050	C-CARBON R	RN72K1J-221JE	1	435032214R1
PCB1	R2051	C-CARBON R	RN72K1J-824JE	1	435038244R1
PCB1	R2052	C-CARBON R	RN72K1J-152JE	1	435031524R1
PCB1	R2053	C-CARBON R	RN72K1J-682JE	1	435036824R1
PCB1	R2054	C-CARBON R	RN72K1J-121JE	1	435031214R1
PCB1	R2055	C-CARBON R	RN72K1J-102JE	1	435031024R1
PCB1	R2056	C-CARBON R	RN72K1J-272JE	1	435032724R1
PCB1	R2057	C-CARBON R	RN72K1J-473JE	1	435034734R1
PCB1	R2058	C-CARBON R	RN72K1J-221JE	1	435032214R1

PCB1	R2059	C-CARBON R	RN72K1J-221JE	1	435032214R1
PCB1	R2060	C-CARBON R	RN72K1J-123JE	1	435031234R1
PCB1	R2061	C-CARBON R	RN72K1J-272JE	1	435032724R1
PCB1	R2062	C-CARBON R	RN72K1J-333JE	1	435033334R1
PCB1	R2063	C-CARBON R	RN72K1J-680JE	1	435036804R1
PCB1	R2064	C-CARBON R	RN72K1J-222JE	1	435032224R1
PCB1	R2065	C-CARBON R	RN72K1J-103JE	1	435031034R1
PCB1	R2066	C-CARBON R	RN72K1J-221JE	1	435032214R1
PCB1	R2067	C-CARBON R	RN72K1J-221JE	1	435032214R1
PCB1	R2070	C-CARBON R	RN72K1J-220JE	1	435032204R1
PCB1	R2071	C-CARBON R	RN72K1J-104JE	1	435031044R1
PCB1	R2072	C-CARBON R	RN72K1J-104JE	1	435031044R1
PCB1	R2073	C-CARBON R	RN72K1J-104JE	1	435031044R1
PCB1	R2074	C-CARBON R	RN72K1J-104JE	1	435031044R1
PCB1	R2075	C-CARBON R	RN72K1J-104JE	1	435031044R1
PCB1	R2076	C-CARBON R	RN72K1J-104JE	1	435031044R1
PCB1	R2077	C-CARBON R	RN72K1J-104JE	1	435031044R1
PCB1	R2078	C-CARBON R	RN72K1J-104JE	1	435031044R1
PCB1	R2079	C-CARBON R	RN72K1J-104JE	1	435031044R1
PCB1	R2080	C-CARBON R	RN72K1J-104JE	1	435031044R1
PCB1	R2081	C-CARBON R	RN72K1J-104JE	1	435031044R1
PCB1	R2082	C-CARBON R	RN72K1J-104JE	1	435031044R1
PCB1	R2083	C-CARBON R	RN72K1J-104JE	1	435031044R1
PCB1	R2084	C-CARBON R	RN72K1J-104JE	1	435031044R1
PCB1	R2085	C-CARBON R	RN72K1J-104JE	1	435031044R1
PCB1	R2086	C-CARBON R	RN72K1J-104JE	1	435031044R1
PCB1	R2087	C-CARBON R	RN72K1J-331JE	1	435033314R1
PCB1	R2088	C-CARBON R	RN72K1J-750JE	1	435037504R1
PCB1	R2089	C-CARBON R	RN72K1J-082JE	1	435030824R1
PCB1	R2090	C-CARBON R	RN72K1J-022JE	1	435030224R1
PCB1	R2091	C-CARBON R	RN72K1J-103JE	1	435031034R1
PCB1	R2092	C-CARBON R	RN72K1J-471JE	1	435034714R1
PCB1	R2093	C-CARBON R	RN72K1J-820JE	1	435038204R1
PCB1	R2094	C-CARBON R	RN72K1J-121JE	1	435031214R1
PCB1	R2095	C-CARBON R	RN72K1J-121JE	1	435031214R1
PCB1	R2096	C-CARBON R	RN72K1J-103JE	1	435031034R1
PCB1	R2097	C-CARBON R	RN72K1J-471JE	1	435034714R1
PCB1	R2098	C-CARBON R	RN72K1J-820JE	1	435038204R1
PCB1	R2101	C-CARBON R	RN72K1J-102JE	1	435031024R1
PCB1	R2102	C-CARBON R	RN72K1J-102JE	1	435031024R1
PCB1	R2103	C-CARBON R	RN72K1J-102JE	1	435031024R1
PCB1	R2104	C-CARBON R	RN72K1J-102JE	1	435031024R1
PCB1	R2105	C-CARBON R	RN72K1J-102JE	1	435031024R1
PCB1	R2106	C-CARBON R	RN72K1J-102JE	1	435031024R1
PCB1	R2107	C-CARBON R	RN72K1J-102JE	1	435031024R1
PCB1	R2108	C-CARBON R	RN72K1J-102JE	1	435031024R1
PCB1	R2109	C-CARBON R	RN72K1J-101JE	1	435031014R1
PCB1	R2110	C-CARBON R	RN72K1J-222JE	1	435032224R1
PCB1	R2111	C-CARBON R	RN72K1J-101JE	1	435031014R1
PCB1	R2112	C-CARBON R	RN72K1J-101JE	1	435031014R1
PCB1	R2113	C-CARBON R	RN72K1J-222JE	1	435032224R1
PCB1	R2114	C-CARBON R	RN72K1J-472JE	1	435034724R1
PCB1	R2115	C-CARBON R	RN72K1J-102JE	1	435031024R1

PCB1	R2116	C-CARBON R	RN72K1J-681JE	1	435036814R1
PCB1	R2121	C-CARBON R	RN72K1J-330JE	1	435033304R1
PCB1	R2122	C-CARBON R	RN72K1J-330JE	1	435033304R1
PCB1	R2123	C-CARBON R	RN72K1J-330JE	1	435033304R1
PCB1	R2124	C-CARBON R	RN72K1J-330JE	1	435033304R1
PCB1	R2125	C-CARBON R	RN72K1J-330JE	1	435033304R1
PCB1	R2126	C-CARBON R	RN72K1J-330JE	1	435033304R1
PCB1	R2127	C-CARBON R	RN72K1J-330JE	1	435033304R1
PCB1	R2128	C-CARBON R	RN72K1J-330JE	1	435033304R1
PCB1	R2129	C-CARBON R	RN72K1J-330JE	1	435033304R1
PCB1	R2130	C-CARBON R	RN72K1J-472JE	1	435034724R1
PCB1	R2131	C-CARBON R	RN72K1J-472JE	1	435034724R1
PCB1	R2132	C-CARBON R	RN72K1J-101JE	1	435031014R1
PCB1	R2133	C-CARBON R	RN72K1J-101JE	1	435031014R1
PCB1	R2134	C-CARBON R	RN72K1J-122JE	1	435031224R1
PCB1	R2135	C-CARBON R	RN72K1J-122JE	1	435031224R1
PCB1	R2141	C-CARBON R	RN72K1J-122JE	1	435031224R1
PCB1	R2142	C-CARBON R	RN72K1J-122JE	1	435031224R1
PCB1	R2143	C-CARBON R	RN72K1J-101JE	1	435031014R1
PCB1	R2144	C-CARBON R	RN72K1J-330JE	1	435033304R1
PCB1	R2145	C-CARBON R	RN72K1J-472JE	1	435034724R1
PCB1	R2161	C-CARBON R	RN72K1J-101JE	1	435031014R1
PCB1	R2162	C-CARBON R	RN72K1J-104JE	1	435031044R1
PCB1	R2163	C-CARBON R	RN72K1J-101JE	1	435031014R1
PCB1	R2164	C-CARBON R	RN72K1J-104JE	1	435031044R1
PCB1	R2165	C-CARBON R	RN72K1J-101JE	1	435031014R1
PCB1	R2166	C-CARBON R	RN72K1J-104JE	1	435031044R1
PCB1	R2167	C-CARBON R	RN72K1J-101JE	1	435031014R1
PCB1	R2168	C-CARBON R	RN72K1J-104JE	1	435031044R1
PCB1	R2169	C-CARBON R	RN72K1J-101JE	1	435031014R1
PCB1	R2170	C-CARBON R	RN72K1J-104JE	1	435031044R1
PCB1	R2171	C-CARBON R	RN72K1J-101JE	1	435031014R1
PCB1	R2172	C-CARBON R	RN72K1J-104JE	1	435031044R1
PCB1	R2173	C-CARBON R	RN72K1J-101JE	1	435031014R1
PCB1	R2174	C-CARBON R	RN72K1J-101JE	1	435031014R1
PCB1	R2175	C-CARBON R	RN72K1J-180JE	1	435031804R1
PCB1	R2176	C-CARBON R	RN72K1J-820JE	1	435038204R1
PCB1	R2177	C-CARBON R	RN72K1J-820JE	1	435038204R1
PCB1	R2178	C-CARBON R	RN72K1J-820JE	1	435038204R1
PCB1	R2179	C-CARBON R	RN72K1J-391JE	1	435033914R1
PCB1	R2180	C-CARBON R	RN72K1J-391JE	1	435033914R1
PCB1	R2181	C-CARBON R	RN72K1J-820JE	1	435038204R1
PCB1	R2182	C-CARBON R	RN72K1J-820JE	1	435038204R1
PCB1	R2183	C-CARBON R	RN72K1J-820JE	1	435038204R1
PCB1	R2184	C-CARBON R	RN72K1J-820JE	1	435038204R1
PCB1	R2185	C-CARBON R	RN72K1J-820JE	1	435038204R1
PCB1	R2186	C-CARBON R	RN72K1J-820JE	1	435038204R1
PCB1	R2187	C-CARBON R	RN72K1J-680JE	1	435036804R1
PCB1	R2188	C-CARBON R	RN72K1J-680JE	1	435036804R1
PCB1	R2189	C-CARBON R	RN72K1J-680JE	1	435036804R1
PCB1	R2190	C-CARBON R	RN72K1J-680JE	1	435036804R1
PCB1	R2191	C-CARBON R	RN72K1J-680JE	1	435036804R1
PCB1	R2192	C-CARBON R	RN72K1J-680JE	1	435036804R1

PCB1	R2201	C-CARBON R	RN72K1J-475JE	1	435034754R1	
PCB1	R2202	C-CARBON R	RN72K1J-475JE	1	435034754R1	
PCB1	R2203	C-CARBON R	RN72K1J-475JE	1	435034754R1	
PCB1	R2204	C-CARBON R	RN72K1J-102JE	1	435031024R1	
PCB1	R2205	C-CARBON R	RN72K1J-102JE	1	435031024R1	
PCB1	RL2201	RELAY	NPL-2P1A-DC4.5-169	1	25065645	
PCB1	RL2201 or	RELAY	NRL-2P2A-DC4.5-173	(1)	25065658	
PCB1	RL2202	RELAY	NPL-2P1A-DC4.5-169	1	25065645	
PCB1	RL2202 or	RELAY	NRL-2P2A-DC4.5-173	(1)	25065658	
PCB1	RL2203	RELAY	NPL-2P1A-DC4.5-169	1	25065645	
PCB1	RL2203 or	RELAY	NRL-2P2A-DC4.5-173	(1)	25065658	
PCB1	RL2204	RELAY	NPL-2P1A-DC4.5-169	1	25065645	
PCB1	RL2204 or	RELAY	NRL-2P2A-DC4.5-173	(1)	25065658	
PCB1	RL2205	RELAY	NPL-2P1A-DC4.5-169	1	25065645	
PCB1	RL2205 or	RELAY	NRL-2P2A-DC4.5-173	(1)	25065658	
PCB1	P2001	PIN JACK	NPJ-10PDBY621	1	25045842	
PCB1	P2001 or	PIN JACK	NPJ-10PDBY478	(1)	25045681	
PCB1	P2002	PIN JACK	NPJ-10PDBY621	1	25045842	
PCB1	P2002 or	PIN JACK	NPJ-10PDBY478	(1)	25045681	
PCB1	P2003	PIN JACK	NPJ-10PDBY621	1	25045842	
PCB1	P2003 or	PIN JACK	NPJ-10PDBY478	(1)	25045681	
PCB1	P2004A	SOCKET	NSCT-13P2193	1	25052296	
PCB1	P2005A	SOCKET	NSCT-13P2193	1	25052296	
PCB1	P2007	PIN JACK	NPJ-5PDBY622	1	25045843	
PCB1	P2007 or	PIN JACK	NPJ-5PDBY479	(1)	25045682	
PCB1	P2201	PIN JACK	NPJ-9PDGLRGLRGLR563	1	25045781	
PCB1	P2201 or	PIN JACK	NPJ-9PDGLR519	(1)	25045731	
PCB1	P2202	PIN JACK	NPJ-3PDGLR623	1	25045844	
PCB1	E2001	TRM(SCREW)	NEGITANSI M3	1	25065425	
PCB1	JL2006A	WIRE HOL	NSCT-5P896	1	25051109	
PCB2	U02	AMPLIFIER PC BOARD (NAAF-8523-1P)				
PCB2	U03	SEC. TERMINAL-2 PC BOARD (NAPS-8524-1P)				
PCB2	U04	SB-R AMPLIFIER PC BOARD (NAETC-8525-1P)				
PCB2	U05	THERMAL SENSOR PC BOARD (NAETC-8526-1P)				
PCB2						
PCB2	CIRCUIT NO.	NAME	DESCRIPTION	Q'TY	PART NO	REMARKS
PCB2	Q5501	IC	NJW1157B	1	22242193R3	
PCB2	Q5502	IC	NJU7311AM	1	22242209R2	
PCB2	Q5503	IC	NJM4580M-D	1	22241448R2	
PCB2	Q5630	IC	NJM4580M-D	1	22241448R2	
PCB2	Q5640	IC	AN34060A	1	22242205	
PCB2	Q5640A	SCREW	3P+10FN(3BC)	1	82143010GR	
PCB2	Q5654	IC	LM2940CT-5.0	1	22242242	
PCB2	Q5654A	SCREW	3P+10FN(3BC)	1	82143010GR	
PCB2	Q5654B	TR ACCY	MT-25	1	223034	
PCB2	Q5654C	ISO SHEET	ISO SHEET	1	223026	
PCB2	Q5655	IC	79005HF(TA79005S)	1	222790054TOS	
PCB2	Q5655 or	IC	79M05FA	(1)	222790055	
PCB2	Q5660	IC	7812HF(TA7812S)	1	222780124TOS	
PCB2	Q5660 or	IC	78M12HF	(1)	222780125	
PCB2	Q5660A	SCREW	3P+10FN(3BC)	1	82143010GR	
PCB2	Q5661	IC	79012HF(TA79012S)	1	222790124TOS	

PCB2	Q5661 or	IC	79M12HF	(1)	222790125
PCB2	Q5661A	SCREW	3P+10FN(3BC)	1	82143010GR
PCB2	Q5661B	HEAT SINK	RAD-213	1	27160570A
PCB2	Q5661C	TAPE	TAPE(CLOTH-16U)	(1)	29110083
PCB2	Q5671	IC	78L07(SMT)	1	222780073R2
PCB2	Q5672	IC	79L07(SMT)	1	222790073R2
PCB2	Q6380	IC	LM61CIZ	1	22242212
PCB2	Q5600	TR	RN1441	1	2215410R2
PCB2	Q5601	TR	RN1441	1	2215410R2
PCB2	Q5602	TR	RN1441	1	2215410R2
PCB2	Q5603	TR	RN1441	1	2215410R2
PCB2	Q5604	TR	RN1441	1	2215410R2
PCB2	Q5605	TR	RN1441	1	2215410R2
PCB2	Q5606	TR	RN1441	1	2215410R2
PCB2	Q5607	TR	RN1441	1	2215410R2
PCB2	Q5608	TR	RN1441	1	2215410R2
PCB2	Q5609	TR	RN1441	1	2215410R2
PCB2	Q5617	TR	RN1441	1	2215410R2
PCB2	Q5650	TR	2SB1068-U	1	2212855
PCB2	Q5650 or	TR	2SB1068-K	(1)	2212853
PCB2	Q5651	TR	RN1402	1	2214470R2
PCB2	Q5651 or	TR	KRC102S	(1)	2216190R2
PCB2	Q5651 or	TR	UNR2211	(1)	2217130R2
PCB2	Q5652	TR	RN2402	1	2214530R2
PCB2	Q5652 or	TR	KRA102S	(1)	2216220R2
PCB2	Q5652 or	TR	UNR2111	(1)	2217110R2
PCB2	Q5653	TR	2SD1468S-R	1	2215024
PCB2	Q6010	TR	2SC1740S-S	1	2213285
PCB2	Q6011	TR	2SC1740S-S	1	2213285
PCB2	Q6012	TR	2SC1740S-S	1	2213285
PCB2	Q6013	TR	2SC1740S-S	1	2213285
PCB2	Q6014	TR	2SC1740S-S	1	2213285
PCB2	Q6015	TR	2SC1740S-S	1	2213285
PCB2	Q6016	TR	2SC1740S-S	1	2213285
PCB2	Q6020	TR	2SC1740S-S	1	2213285
PCB2	Q6021	TR	2SC1740S-S	1	2213285
PCB2	Q6022	TR	2SC1740S-S	1	2213285
PCB2	Q6023	TR	2SC1740S-S	1	2213285
PCB2	Q6024	TR	2SC1740S-S	1	2213285
PCB2	Q6025	TR	2SC1740S-S	1	2213285
PCB2	Q6026	TR	2SC1740S-S	1	2213285
PCB2	Q6030	TR	2SC5171	1	2203010
PCB2	Q6030 or	TR	2SC5993-Q,P	(1)	2217161
PCB2	Q6031	TR	2SC5171	1	2203010
PCB2	Q6031 or	TR	2SC5993-Q,P	(1)	2217161
PCB2	Q6032	TR	2SC5171	1	2203010
PCB2	Q6032 or	TR	2SC5993-Q,P	(1)	2217161
PCB2	Q6033	TR	2SC5171	1	2203010
PCB2	Q6033 or	TR	2SC5993-Q,P	(1)	2217161
PCB2	Q6034	TR	2SC5171	1	2203010
PCB2	Q6034 or	TR	2SC5993-Q,P	(1)	2217161
PCB2	Q6035	TR	2SC5171	1	2203010
PCB2	Q6035 or	TR	2SC5993-Q,P	(1)	2217161

PCB2	Q6036	TR	2SC5171	1	2203010
PCB2	Q6036 or	TR	2SC5993-Q,P	(1)	2217161
PCB2	Q6040	TR	2SA1930	1	2203000
PCB2	Q6040 or	TR	2SA2140-Q,P	(1)	2217151
PCB2	Q6041	TR	2SA1930	1	2203000
PCB2	Q6041 or	TR	2SA2140-Q,P	(1)	2217151
PCB2	Q6042	TR	2SA1930	1	2203000
PCB2	Q6042 or	TR	2SA2140-Q,P	(1)	2217151
PCB2	Q6043	TR	2SA1930	1	2203000
PCB2	Q6043 or	TR	2SA2140-Q,P	(1)	2217151
PCB2	Q6044	TR	2SA1930	1	2203000
PCB2	Q6044 or	TR	2SA2140-Q,P	(1)	2217151
PCB2	Q6045	TR	2SA1930	1	2203000
PCB2	Q6045 or	TR	2SA2140-Q,P	(1)	2217151
PCB2	Q6046	TR	2SA1930	1	2203000
PCB2	Q6046 or	TR	2SA2140-Q,P	(1)	2217151
PCB2	Q6070	TR	2SC2229-Y	1	2211634
PCB2	Q6070 or	TR	2SC2229-O	(1)	2211633
PCB2	Q6071	TR	2SC2229-Y	1	2211634
PCB2	Q6071 or	TR	2SC2229-O	(1)	2211633
PCB2	Q6072	TR	2SC2229-Y	1	2211634
PCB2	Q6072 or	TR	2SC2229-O	(1)	2211633
PCB2	Q6073	TR	2SC2229-Y	1	2211634
PCB2	Q6073 or	TR	2SC2229-O	(1)	2211633
PCB2	Q6074	TR	2SC2229-Y	1	2211634
PCB2	Q6074 or	TR	2SC2229-O	(1)	2211633
PCB2	Q6075	TR	2SC2229-Y	1	2211634
PCB2	Q6075 or	TR	2SC2229-O	(1)	2211633
PCB2	Q6076	TR	2SC2229-Y	1	2211634
PCB2	Q6076 or	TR	2SC2229-O	(1)	2211633
PCB2	Q6701	TR	2SC2240-BL	1	2211406
PCB2	Q6701 or	TR	2SC2240-GR	(1)	2211405
PCB2	Q6701 or	TR	KTC3200-GR	(1)	2215895
PCB2	Q6701 or	TR	KTC3200-BL	(1)	2215896
PCB2	Q6702	TR	2SC2240-BL	1	2211406
PCB2	Q6702 or	TR	2SC2240-GR	(1)	2211405
PCB2	Q6702 or	TR	KTC3200-GR	(1)	2215895
PCB2	Q6702 or	TR	KTC3200-BL	(1)	2215896
PCB2	Q6703	TR	KTA1268-GR	1	2215885
PCB2	Q6703 or	TR	KTA1268-BL	(1)	2215886
PCB2	Q6703 or	TR	2SA992-F	(1)	2211792
PCB2	Q6703 or	TR	2SA992-E	(1)	2211793
PCB2	Q6703 or	TR	2SA1123-R	(1)	2214974
PCB2	Q6901	TR	KTC3199-GR	1	2215864
PCB2	Q6901 or	TR	2SC2458-GR	(1)	2212115
PCB2	Q6901 or	TR	2SC1740S-R	(1)	2213284
PCB2	Q6901 or	TR	2SC1740S-S	(1)	2213285
PCB2	D5650	DIODE	1SS133	1	223163
PCB2	D5650 or	DIODE	1SS133(DS)	(1)	223280
PCB2	D5651	C-DIODE	MA2J111	1	223279R2
PCB2	D5651 or	C-DIODE	1SS355	(1)	223269R2
PCB2	D5651 or	C-DIODE	1SS352	(1)	223234R2
PCB2	D5710	DIODE	1SS133	1	223163

PCB2	D5710 or	DIODE	ISS270A	(1)	223205
PCB2	D5710 or	DIODE	ISS133(DS)	(1)	223280
PCB2	D5711	DIODE	ISS133	1	223163
PCB2	D5711 or	DIODE	ISS270A	(1)	223205
PCB2	D5711 or	DIODE	ISS133(DS)	(1)	223280
PCB2	D6000	DIODE	ISS133	1	223163
PCB2	D6000 or	DIODE	ISS270A	(1)	223205
PCB2	D6000 or	DIODE	ISS133(DS)	(1)	223280
PCB2	D6001	DIODE	ISS133	1	223163
PCB2	D6001 or	DIODE	ISS270A	(1)	223205
PCB2	D6001 or	DIODE	ISS133(DS)	(1)	223280
PCB2	D6002	DIODE	ISS133	1	223163
PCB2	D6002 or	DIODE	ISS270A	(1)	223205
PCB2	D6002 or	DIODE	ISS133(DS)	(1)	223280
PCB2	D6003	DIODE	ISS133	1	223163
PCB2	D6003 or	DIODE	ISS270A	(1)	223205
PCB2	D6003 or	DIODE	ISS133(DS)	(1)	223280
PCB2	D6004	DIODE	ISS133	1	223163
PCB2	D6004 or	DIODE	ISS270A	(1)	223205
PCB2	D6004 or	DIODE	ISS133(DS)	(1)	223280
PCB2	D6005	DIODE	ISS133	1	223163
PCB2	D6005 or	DIODE	ISS133(DS)	(1)	223280
PCB2	D6006	DIODE	ISS133	1	223163
PCB2	D6006 or	DIODE	ISS133(DS)	(1)	223280
PCB2	D6010	DIODE	ISS133	1	223163
PCB2	D6010 or	DIODE	ISS270A	(1)	223205
PCB2	D6010 or	DIODE	ISS133(DS)	(1)	223280
PCB2	D6011	DIODE	ISS133	1	223163
PCB2	D6011 or	DIODE	ISS270A	(1)	223205
PCB2	D6011 or	DIODE	ISS133(DS)	(1)	223280
PCB2	D6012	DIODE	ISS133	1	223163
PCB2	D6012 or	DIODE	ISS270A	(1)	223205
PCB2	D6012 or	DIODE	ISS133(DS)	(1)	223280
PCB2	D6013	DIODE	ISS133	1	223163
PCB2	D6013 or	DIODE	ISS270A	(1)	223205
PCB2	D6013 or	DIODE	ISS133(DS)	(1)	223280
PCB2	D6014	DIODE	ISS133	1	223163
PCB2	D6014 or	DIODE	ISS270A	(1)	223205
PCB2	D6014 or	DIODE	ISS133(DS)	(1)	223280
PCB2	D6015	DIODE	ISS133	1	223163
PCB2	D6015 or	DIODE	ISS133(DS)	(1)	223280
PCB2	D6016	DIODE	ISS133	1	223163
PCB2	D6016 or	DIODE	ISS133(DS)	(1)	223280
PCB2	D6701	DIODE	ISS133	1	223163
PCB2	D6701 or	DIODE	ISS270A	(1)	223205
PCB2	D6701 or	DIODE	ISS133(DS)	(1)	223280
PCB2	D6702	DIODE	ISS133	1	223163
PCB2	D6702 or	DIODE	ISS270A	(1)	223205
PCB2	D6702 or	DIODE	ISS133(DS)	(1)	223280
PCB2	D6703	ZENER D	MTZJ5.1B	1	224470512
PCB2	D6703 or	ZENER D	DZ-5.1BSB	(1)	224850512
PCB2	D6704	ZENER D	MTZJ5.1B	1	224470512
PCB2	D6704 or	ZENER D	DZ-5.1BSB	(1)	224850512

PCB2	D6901	DIODE	ISS133	1	223163
PCB2	D6901 or	DIODE	ISS270A	(1)	223205
PCB2	D6901 or	DIODE	ISS133(DS)	(1)	223280
PCB2	D6902	DIODE	ISS133	1	223163
PCB2	D6902 or	DIODE	ISS270A	(1)	223205
PCB2	D6902 or	DIODE	ISS133(DS)	(1)	223280
PCB2	D6904	DIODE	D10XB60H	1	22380337
PCB2	D6904A	HEAT SINK	RAD-196	1	27160545
PCB2	D6904B	SCREW	3P+10FN(3BC)	1	82143010GR
PCB2	D6904C	TAPE	TAPE(CLOTH-16U)	(1)	29110083
PCB2	D6905	DIODE	D10XB60H	1	22380337
PCB2	D6905B	SCREW	3P+10FN(3BC)	1	82143010GR
PCB2	D6906	DIODE	ISS133	1	223163
PCB2	D6906 or	DIODE	ISS270A	(1)	223205
PCB2	D6906 or	DIODE	ISS133(DS)	(1)	223280
PCB2	D9005	DIODE	D4SBS4	1	22380353
PCB2	D9005A	HEAT SINK	(S3)	1	27160357
PCB2	D9005B	SCREW	3P+10FN(3BC)	1	82143010GR
PCB2	D9011	DIODE	RL1N4003	1	22380260
PCB2	D9011 or	DIODE	GP104003E	(1)	22380035
PCB2	D9020	DIODE	RL1N4003	1	22380260
PCB2	D9020 or	DIODE	GP104003E	(1)	22380035
PCB2	D9021	DIODE	RL1N4003	1	22380260
PCB2	D9021 or	DIODE	GP104003E	(1)	22380035
PCB2	C5503	TF C	ECQ-B50V-221K	1	374722215
PCB2	C5504	TF C	ECQ-B50V-221K	1	374722215
PCB2	C5507	C-CERA C	CC725CH1H-221J1	1	342102214R1
PCB2	C5508	C-CERA C	CC725CH1H-221J1	1	342102214R1
PCB2	C5509	C-CERA C	CC725CH1H-221J1	1	342102214R1
PCB2	C5510	C-CERA C	CC725CH1H-221J1	1	342102214R1
PCB2	C5513	C-CERA C	CC725CH1H-221J1	1	342102214R1
PCB2	C5514	C-CERA C	CC725CH1H-221J1	1	342102214R1
PCB2	C5517	C-CERA C	CC725CH1H-221J1	1	342102214R1
PCB2	C5518	C-CERA C	CC725CH1H-221J1	1	342102214R1
PCB2	C5519	C-CERA C	CC725CH1H-221J1	1	342102214R1
PCB2	C5520	C-CERA C	CC725CH1H-221J1	1	342102214R1
PCB2	C5521	C-CERA C	CC725CH1H-221J1	1	342102214R1
PCB2	C5522	C-CERA C	CC725CH1H-221J1	1	342102214R1
PCB2	C5523	C-CERA C	CC725CH1H-221J1	1	342102214R1
PCB2	C5524	C-CERA C	CC725CH1H-221J1	1	342102214R1
PCB2	C5529	C-CERA C	CC725CH1H-102J1	1	342101024R1
PCB2	C5550	VX C	CE04W50V-4.7M(VX)	1	393380477
PCB2	C5551	MMT C	MMT50V-224J	1	375522244
PCB2	C5552	TF C	ECQ-B50V-472J	1	374724724
PCB2	C5553	VX C	CE04W50V-4.7M(VX)	1	393380477
PCB2	C5554	MMT C	MMT50V-224J	1	375522244
PCB2	C5555	TF C	ECQ-B50V-472J	1	374724724
PCB2	C5556	VX C	CE04W25V-47M(VX)	1	393354707
PCB2	C5557	VX C	CE04W25V-47M(VX)	1	393354707
PCB2	C5558	VX C	CE04W25V-47M(VX)	1	393354707
PCB2	C5559	VX C	CE04W25V-47M(VX)	1	393354707
PCB2	C5560	VX C	CE04W25V-47M(VX)	1	393354707
PCB2	C5561	VX C	CE04W25V-47M(VX)	1	393354707

PCB2	C5562	VX C	CE04W25V-47M(VX)	1	393354707
PCB2	C5563	VX C	CE04W25V-47M(VX)	1	393354707
PCB2	C5564	VX C	CE04W50V-10M(VX)	1	393381007
PCB2	C5565	VX C	CE04W50V-10M(VX)	1	393381007
PCB2	C5566	VX C	CE04W50V-10M(VX)	1	393381007
PCB2	C5567	VX C	CE04W50V-10M(VX)	1	393381007
PCB2	C5568	VX C	CE04W50V-10M(VX)	1	393381007
PCB2	C5569	VX C	CE04W50V-10M(VX)	1	393381007
PCB2	C5570	VX C	CE04W50V-10M(VX)	1	393381007
PCB2	C5571	VX C	CE04W50V-10M(VX)	1	393381007
PCB2	C5572	VX C	CE04W50V-10M(VX)	1	393381007
PCB2	C5573	VX C	CE04W50V-10M(VX)	1	393381007
PCB2	C5574	VX C	CE04W50V-10M(VX)	1	393381007
PCB2	C5575	VX C	CE04W50V-10M(VX)	1	393381007
PCB2	C5576	VX C	CE04W50V-10M(VX)	1	393381007
PCB2	C5577	VX C	CE04W50V-10M(VX)	1	393381007
PCB2	C5578	VX C	CE04W50V-1M(VX)	1	393380107
PCB2	C5590	C-CERA C	CC725CH1H-330J1	1	342103304R1
PCB2	C5591	C-CERA C	CC725CH1H-330J1	1	342103304R1
PCB2	C5600	VX C	CE04W50V-47M(VX)	1	393384707
PCB2	C5601	VX C	CE04W50V-47M(VX)	1	393384707
PCB2	C5602	VX C	CE04W50V-47M(VX)	1	393384707
PCB2	C5603	VX C	CE04W50V-47M(VX)	1	393384707
PCB2	C5604	VX C	CE04W50V-47M(VX)	1	393384707
PCB2	C5605	VX C	CE04W50V-47M(VX)	1	393384707
PCB2	C5606	VX C	CE04W50V-47M(VX)	1	393384707
PCB2	C5607	VX C	CE04W50V-10M(VX)	1	393381007
PCB2	C5608	VX C	CE04W50V-47M(VX)	1	393384707
PCB2	C5609	VX C	CE04W50V-47M(VX)	1	393384707
PCB2	C5630	VX C	CE04W50V-10M(VX)	1	393381007
PCB2	C5631	C-CERA C	CC725CH1H-221J1	1	342102214R1
PCB2	C5632	C-CERA C	CK725B1H-103K1	1	332101035R1
PCB2	C5640	VX C	CE04W50V-22M(VX)	1	393382207
PCB2	C5641	VX C	CE04W50V-22M(VX)	1	393382207
PCB2	C5642	VX C	CE04W50V-22M(VX)	1	393382207
PCB2	C5643	VX C	CE04W50V-22M(VX)	1	393382207
PCB2	C5650	VX C	CE04W50V-10M(VX)	1	393381007
PCB2	C5651	VX C	CE04W50V-10M(VX)	1	393381007
PCB2	C5652	VX C	CE04W25V-220M(VX)	1	393352217
PCB2	C5653	VX C	CE04W50V-10M(VX)	1	393381007
PCB2	C5660	VX C	CE04W50V-10M(VX)	1	393381007
PCB2	C5661	VX C	CE04W50V-10M(VX)	1	393381007
PCB2	C5662	VX C	CE04W50V-10M(VX)	1	393381007
PCB2	C5663	VX C	CE04W50V-10M(VX)	1	393381007
PCB2	C5664	VX C	CE04W25V-100M(VX)	1	393351017
PCB2	C5665	VX C	CE04W25V-100M(VX)	1	393351017
PCB2	C5666	VX C	CE04W50V-10M(VX)	1	393381007
PCB2	C5667	VX C	CE04W50V-10M(VX)	1	393381007
PCB2	C5668	VX C	CE04W25V-220M(VX)	1	393352217
PCB2	C5669	VX C	CE04W25V-220M(VX)	1	393352217
PCB2	C5671	VX C	CE04W50V-10M(VX)	1	393381007
PCB2	C5672	VX C	CE04W50V-10M(VX)	1	393381007
PCB2	C5673	VX C	CE04W25V-220M(VX)	1	393352217

PCB2	C5674	VX C	CE04W25V-220M(VX)	1	393352217
PCB2	C5702	C-CERA C	CK725B1H-103K1	1	332101035R1
PCB2	C5704	C-CERA C	CK725B1H-103K1	1	332101035R1
PCB2	C5706	C-CERA C	CK725B1H-103K1	1	332101035R1
PCB2	C5708	C-CERA C	CK725B1H-103K1	1	332101035R1
PCB2	C5709	C-CERA C	CK725B1H-103K1	1	332101035R1
PCB2	C5710	C-CERA C	CK725B1H-103K1	1	332101035R1
PCB2	C5712	TF C	ECQ-B50V-102J	1	374721024
PCB2	C6040	ELECT C	CE04W50V-47M(VZ)	1	394584707
PCB2	C6041	ELECT C	CE04W50V-47M(VZ)	1	394584707
PCB2	C6042	ELECT C	CE04W50V-47M(VZ)	1	394584707
PCB2	C6043	ELECT C	CE04W50V-47M(VZ)	1	394584707
PCB2	C6044	ELECT C	CE04W50V-47M(VZ)	1	394584707
PCB2	C6045	ELECT C	CE04W50V-47M(VZ)	1	394584707
PCB2	C6046	ELECT C	CE04W50V-47M(VZ)	1	394584707
PCB2	C6230	TF C	ECQ-V50V-473J	1	374724734
PCB2	C6231	TF C	ECQ-V50V-473J	1	374724734
PCB2	C6232	TF C	ECQ-V50V-473J	1	374724734
PCB2	C6233	TF C	ECQ-V50V-473J	1	374724734
PCB2	C6234	TF C	ECQ-V50V-473J	1	374724734
PCB2	C6235	TF C	ECQ-V50V-473J	1	374724734
PCB2	C6236	TF C	ECQ-V50V-473J	1	374724734
PCB2	C6701	VR C	CE04W16V-100M(VR)	1	394641017
PCB2	C6703	CERA C	CK45F50V-223Z	1	335622230
PCB2	C6704	VX C	CE04W100V-1M(VX)	1	393390107
PCB2	C6706	VR C	CE04W16V-100M(VR)	1	394641017
PCB2	C6901	ELECT C	CE69W63V-10000MA	1	3504417
PCB2	C6901A	TAPE	TAPE(CLOTH-16U)	(1)	29110083
PCB2	C6902	ELECT C	CE69W63V-10000MA	1	3504417
PCB2	C6902A	TAPE	TAPE(CLOTH-16U)	(1)	29110083
PCB2	C6903	TF C	ECQ-B50V-102J	1	374721024
PCB2	C6904	TF C	ECQ-V100-334J	1	374733344
PCB2	C6905	TF C	ECQ-V100-334J	1	374733344
PCB2	C6906	TF C	ECQ-V50V-104J	1	374721044
PCB2	C6907	TF C	ECQ-V50V-104J	1	374721044
PCB2	C9005	MMT C	MMT50V-334J	1	375523344
PCB2	C9010	VR C	CE04W16V-6800M(VR)	1	394646827S
PCB2	C9017	TF C	ECQ-B50V-102J	1	374721024
PCB2	C9020	VR C	CE04W16V-1000M(VR)	1	394641027
PCB2	C9021	VR C	CE04W16V-1000M(VR)	1	394641027
PCB2	R5503	C-CARBON R	RN72K1J-331JE	1	435033314R1
PCB2	R5504	C-CARBON R	RN72K1J-331JE	1	435033314R1
PCB2	R5505	C-CARBON R	RN72K1J-331JE	1	435033314R1
PCB2	R5506	C-CARBON R	RN72K1J-331JE	1	435033314R1
PCB2	R5507	C-CARBON R	RN72K1J-331JE	1	435033314R1
PCB2	R5508	C-CARBON R	RN72K1J-331JE	1	435033314R1
PCB2	R5513	C-CARBON R	RN72K1J-331JE	1	435033314R1
PCB2	R5514	C-CARBON R	RN72K1J-331JE	1	435033314R1
PCB2	R5515	C-CARBON R	RN72K1J-331JE	1	435033314R1
PCB2	R5516	C-CARBON R	RN72K1J-331JE	1	435033314R1
PCB2	R5517	C-CARBON R	RN72K1J-331JE	1	435033314R1
PCB2	R5518	C-CARBON R	RN72K1J-331JE	1	435033314R1
PCB2	R5519	C-CARBON R	RN72K1J-331JE	1	435033314R1

PCB2	R5520	C-CARBON R	RN72K1J-331JE	1	435033314R1
PCB2	R5521	C-CARBON R	RN72K1J-331JE	1	435033314R1
PCB2	R5522	C-CARBON R	RN72K1J-331JE	1	435033314R1
PCB2	R5523	C-CARBON R	RN72K1J-331JE	1	435033314R1
PCB2	R5524	C-CARBON R	RN72K1J-331JE	1	435033314R1
PCB2	R5525	C-CARBON R	RN72K1J-331JE	1	435033314R1
PCB2	R5526	C-CARBON R	RN72K1J-331JE	1	435033314R1
PCB2	R5529	C-CARBON R	RN72K1J-101JE	1	435031014R1
PCB2	R5545	C-CARBON R	RN72K1J-563JE	1	435035634R1
PCB2	R5546	C-CARBON R	RN72K1J-563JE	1	435035634R1
PCB2	R5551	C-CARBON R	RN72K1J-563JE	1	435035634R1
PCB2	R5552	C-CARBON R	RN72K1J-563JE	1	435035634R1
PCB2	R5555	C-CARBON R	RN72K1J-563JE	1	435035634R1
PCB2	R5556	C-CARBON R	RN72K1J-563JE	1	435035634R1
PCB2	R5561	C-CARBON R	RN72K1J-563JE	1	435035634R1
PCB2	R5562	C-CARBON R	RN72K1J-563JE	1	435035634R1
PCB2	R5563	C-CARBON R	RN72K1J-563JE	1	435035634R1
PCB2	R5564	C-CARBON R	RN72K1J-563JE	1	435035634R1
PCB2	R5565	C-CARBON R	RN72K1J-222JE	1	435032224R1
PCB2	R5566	C-CARBON R	RN72K1J-222JE	1	435032224R1
PCB2	R5569	C-CARBON R	RN72K1J-223JE	1	435032234R1
PCB2	R5581	C-CARBON R	RN72K1J-221JE	1	435032214R1
PCB2	R5582	C-CARBON R	RN72K1J-221JE	1	435032214R1
PCB2	R5583	C-CARBON R	RN72K1J-221JE	1	435032214R1
PCB2	R5587	C-CARBON R	RN72K1J-221JE	1	435032214R1
PCB2	R5588	C-CARBON R	RN72K1J-221JE	1	435032214R1
PCB2	R5589	C-CARBON R	RN72K1J-221JE	1	435032214R1
PCB2	R5590	C-CARBON R	RN72K1J-103JE	1	435031034R1
PCB2	R5591	C-CARBON R	RN72K1J-103JE	1	435031034R1
PCB2	R5592	C-CARBON R	RN72K1J-471JE	1	435034714R1
PCB2	R5593	C-CARBON R	RN72K1J-122JE	1	435031224R1
PCB2	R5594	C-CARBON R	RN72K1J-103JE	1	435031034R1
PCB2	R5595	C-CARBON R	RN72K1J-103JE	1	435031034R1
PCB2	R5596	C-CARBON R	RN72K1J-471JE	1	435034714R1
PCB2	R5597	C-CARBON R	RN72K1J-122JE	1	435031224R1
PCB2	R5598	C-CARBON R	RN72K1J-103JE	1	435031034R1
PCB2	R5599	C-CARBON R	RN72K1J-103JE	1	435031034R1
PCB2	R5600	C-CARBON R	RN72K1J-224JE	1	435032244R1
PCB2	R5601	C-CARBON R	RN72K1J-224JE	1	435032244R1
PCB2	R5602	C-CARBON R	RN72K1J-224JE	1	435032244R1
PCB2	R5603	C-CARBON R	RN72K1J-224JE	1	435032244R1
PCB2	R5604	C-CARBON R	RN72K1J-224JE	1	435032244R1
PCB2	R5605	C-CARBON R	RN72K1J-224JE	1	435032244R1
PCB2	R5606	C-CARBON R	RN72K1J-224JE	1	435032244R1
PCB2	R5607	C-CARBON R	RN72K1J-224JE	1	435032244R1
PCB2	R5608	C-CARBON R	RN72K1J-224JE	1	435032244R1
PCB2	R5609	C-CARBON R	RN72K1J-224JE	1	435032244R1
PCB2	R5610	C-CARBON R	RN72K1J-222JE	1	435032224R1
PCB2	R5611	C-CARBON R	RN72K1J-222JE	1	435032224R1
PCB2	R5612	C-CARBON R	RN72K1J-222JE	1	435032224R1
PCB2	R5613	C-CARBON R	RN72K1J-222JE	1	435032224R1
PCB2	R5614	C-CARBON R	RN72K1J-222JE	1	435032224R1
PCB2	R5615	C-CARBON R	RN72K1J-222JE	1	435032224R1

PCB2	R5616	C-CARBON R	RN72K1J-222JE	1	435032224R1
PCB2	R5617	C-CARBON R	RN72K1J-271JE	1	435032714R1
PCB2	R5618	C-CARBON R	RN72K1J-222JE	1	435032224R1
PCB2	R5619	C-CARBON R	RN72K1J-222JE	1	435032224R1
PCB2	R5620	C-CARBON R	RN72K1J-000JE	1	435030004R1
PCB2	R5621	C-CARBON R	RN72K1J-000JE	1	435030004R1
PCB2	R5622	C-CARBON R	RN72K1J-000JE	1	435030004R1
PCB2	R5623	C-CARBON R	RN72K1J-000JE	1	435030004R1
PCB2	R5624	C-CARBON R	RN72K1J-000JE	1	435030004R1
PCB2	R5625	C-CARBON R	RN72K1J-000JE	1	435030004R1
PCB2	R5626	C-CARBON R	RN72K1J-000JE	1	435030004R1
PCB2	R5627	C-CARBON R	RN72K1J-101JE	1	435031014R1
PCB2	R5630	C-CARBON R	RN72K1J-221JE	1	435032214R1
PCB2	R5631	C-CARBON R	RN72K1J-473JE	1	435034734R1
PCB2	R5632	C-CARBON R	RN72K1J-153JE	1	435031534R1
PCB2	R5633	C-CARBON R	RN72K1J-122JE	1	435031224R1
PCB2	R5634	C-CARBON R	RN72K1J-103JE	1	435031034R1
PCB2	R5640	NF CARBON R	R25J-0.22	1	415472294
PCB2	R5650	NF CARBON R	R25J-0.22	1	415472294
PCB2	R5651	NF CARBON R	R25J-0.22	1	415472294
PCB2	R5652	C-CARBON R	RN72K1J-473JE	1	435034734R1
PCB2	R5653	C-CARBON R	RN72K1J-102JE	1	435031024R1
PCB2	R5655	C-CARBON R	RN72K1J-183JE	1	435031834R1
PCB2	R5656	C-CARBON R	RN72K1J-473JE	1	435034734R1
PCB2	R5660	METAL O R	RS2WBJ-12	1	442721204F
PCB2	R5661	METAL O R	RS2WBJ-22	1	442722204F
PCB2	R5662	C-CARBON R	RN72K1J-220JE	1	435032204R1
PCB2	R5663	C-CARBON R	RN72K1J-220JE	1	435032204R1
PCB2	R5664	CARBON R	R16J-22	1	417342204
PCB2	R5665	CARBON R	R16J-22	1	417342204
PCB2	R5666	CARBON R	R16J-22	1	417342204
PCB2	R5667	CARBON R	R16J-22	1	417342204
PCB2	R5671	CARBON R	R16J-22	1	417342204
PCB2	R5672	CARBON R	R16J-22	1	417342204
PCB2	R5680	C-CARBON R	RN72K1J-104JE	1	435031044R1
PCB2	R5681	C-CARBON R	RN72K1J-104JE	1	435031044R1
PCB2	R5682	CARBON R	R16J-100K	1	417341044
PCB2	R5700	C-CARBON R	RN72K1J-331JE	1	435033314R1
PCB2	R5702	C-CARBON R	RN72K1J-331JE	1	435033314R1
PCB2	R5705	CARBON R	R16J-330	1	417343314
PCB2	R5707	CARBON R	R16J-330	1	417343314
PCB2	R5800	C-CARBON R	RN72K1J-000JE	1	435030004R1
PCB2	R5801	C-CARBON R	RN72K1J-000JE	1	435030004R1
PCB2	R5802	C-CARBON R	RN72K1J-000JE	1	435030004R1
PCB2	R5803	C-CARBON R	RN72K1J-000JE	1	435030004R1
PCB2	R5804	C-CARBON R	RN72K1J-000JE	1	435030004R1
PCB2	R5805	C-CARBON R	RN72K1J-000JE	1	435030004R1
PCB2	R5806	C-CARBON R	RN72K1J-000JE	1	435030004R1
PCB2	R5807	C-CARBON R	RN72K1J-000JE	1	435030004R1
PCB2	R5810	C-CARBON R	RN72K1J-000JE	1	435030004R1
PCB2	R5813	C-CARBON R	RN72K1J-000JE	1	435030004R1
PCB2	R6000	CARBON R	R16J-5.6K	1	417345624
PCB2	R6001	CARBON R	R16J-5.6K	1	417345624

PCB2	R6002	CARBON R	R16J-5.6K	1	417345624
PCB2	R6003	CARBON R	R16J-5.6K	1	417345624
PCB2	R6004	CARBON R	R16J-5.6K	1	417345624
PCB2	R6005	CARBON R	R16J-5.6K	1	417345624
PCB2	R6006	CARBON R	R16J-5.6K	1	417345624
PCB2	R6010	CARBON R	R16J-3.9K	1	417343924
PCB2	R6011	CARBON R	R16J-3.9K	1	417343924
PCB2	R6012	CARBON R	R16J-3.9K	1	417343924
PCB2	R6013	CARBON R	R16J-3.9K	1	417343924
PCB2	R6014	CARBON R	R16J-3.9K	1	417343924
PCB2	R6015	CARBON R	R16J-3.9K	1	417343924
PCB2	R6016	CARBON R	R16J-3.9K	1	417343924
PCB2	R6020	NF CARBON R	R25J-2.2	1	415470224
PCB2	R6021	NF CARBON R	R25J-2.2	1	415470224
PCB2	R6022	NF CARBON R	R25J-2.2	1	415470224
PCB2	R6023	NF CARBON R	R25J-2.2	1	415470224
PCB2	R6024	NF CARBON R	R25J-2.2	1	415470224
PCB2	R6025	NF CARBON R	R25J-2.2	1	415470224
PCB2	R6026	NF CARBON R	R25J-2.2	1	415470224
PCB2	R6030	CARBON R	R16J-470	1	417344714
PCB2	R6031	CARBON R	R16J-470	1	417344714
PCB2	R6032	CARBON R	R16J-470	1	417344714
PCB2	R6033	CARBON R	R16J-470	1	417344714
PCB2	R6034	CARBON R	R16J-470	1	417344714
PCB2	R6035	CARBON R	R16J-470	1	417344714
PCB2	R6036	CARBON R	R16J-470	1	417344714
PCB2	R6040	TRIM R	N06HR2KBC	1	5210390
PCB2	R6041	TRIM R	N06HR2KBC	1	5210390
PCB2	R6042	TRIM R	N06HR2KBC	1	5210390
PCB2	R6043	TRIM R	N06HR2KBC	1	5210390
PCB2	R6044	TRIM R	N06HR2KBC	1	5210390
PCB2	R6045	TRIM R	N06HR2KBC	1	5210390
PCB2	R6046	TRIM R	N06HR2KBC	1	5210390
PCB2	R6050	CARBON R	R16J-3.3K	1	417343324
PCB2	R6051	CARBON R	R16J-3.3K	1	417343324
PCB2	R6052	CARBON R	R16J-3.3K	1	417343324
PCB2	R6053	CARBON R	R16J-3.3K	1	417343324
PCB2	R6054	CARBON R	R16J-3.3K	1	417343324
PCB2	R6055	CARBON R	R16J-3.3K	1	417343324
PCB2	R6056	CARBON R	R16J-3.3K	1	417343324
PCB2	R6070	NF CARBON R	R25J-82	1	415478204
PCB2	R6071	NF CARBON R	R25J-82	1	415478204
PCB2	R6072	NF CARBON R	R25J-82	1	415478204
PCB2	R6073	NF CARBON R	R25J-120	1	415471214
PCB2	R6074	NF CARBON R	R25J-120	1	415471214
PCB2	R6075	NF CARBON R	R25J-220	1	415472214
PCB2	R6076	NF CARBON R	R25J-220	1	415472214
PCB2	R6080	NF CARBON R	R25J-0.22	1	415472294
PCB2	R6081	NF CARBON R	R25J-0.22	1	415472294
PCB2	R6082	NF CARBON R	R25J-0.22	1	415472294
PCB2	R6083	NF CARBON R	R25J-0.22	1	415472294
PCB2	R6084	NF CARBON R	R25J-0.22	1	415472294
PCB2	R6085	NF CARBON R	R25J-0.22	1	415472294

PCB2	R6086	NF CARBON R	R25J-0.22	1	415472294
PCB2	R6090	NF CARBON R	R25J-0.22	1	415472294
PCB2	R6091	NF CARBON R	R25J-0.22	1	415472294
PCB2	R6092	NF CARBON R	R25J-0.22	1	415472294
PCB2	R6093	NF CARBON R	R25J-0.22	1	415472294
PCB2	R6094	NF CARBON R	R25J-0.22	1	415472294
PCB2	R6095	NF CARBON R	R25J-0.22	1	415472294
PCB2	R6096	NF CARBON R	R25J-0.22	1	415472294
PCB2	R6100	METAL PR	MPR5W+5W 0R22	1	4000233
PCB2	R6100 or	METAL PR	RGC55 0.22	(1)	4000132
PCB2	R6100 or	METAL PR	BPR55FK0.22	(1)	4500245
PCB2	R6100 or	METAL PR	RF-5EGKR22	(1)	4000201
PCB2	R6101	METAL PR	MPR5W+5W 0R22	1	4000233
PCB2	R6101 or	METAL PR	RGC55 0.22	(1)	4000132
PCB2	R6101 or	METAL PR	BPR55FK0.22	(1)	4500245
PCB2	R6101 or	METAL PR	RF-5EGKR22	(1)	4000201
PCB2	R6102	METAL PR	MPR5W+5W 0R22	1	4000233
PCB2	R6102 or	METAL PR	RGC55 0.22	(1)	4000132
PCB2	R6102 or	METAL PR	BPR55FK0.22	(1)	4500245
PCB2	R6102 or	METAL PR	RF-5EGKR22	(1)	4000201
PCB2	R6103	METAL PR	MPR5W+5W 0R22	1	4000233
PCB2	R6103 or	METAL PR	RGC55 0.22	(1)	4000132
PCB2	R6103 or	METAL PR	BPR55FK0.22	(1)	4500245
PCB2	R6103 or	METAL PR	RF-5EGKR22	(1)	4000201
PCB2	R6104	METAL PR	MPR5W+5W 0R22	1	4000233
PCB2	R6104 or	METAL PR	RGC55 0.22	(1)	4000132
PCB2	R6104 or	METAL PR	BPR55FK0.22	(1)	4500245
PCB2	R6104 or	METAL PR	RF-5EGKR22	(1)	4000201
PCB2	R6105	METAL PR	MPR5W+5W 0R22	1	4000233
PCB2	R6105 or	METAL PR	RGC55 0.22	(1)	4000132
PCB2	R6105 or	METAL PR	BPR55FK0.22	(1)	4500245
PCB2	R6105 or	METAL PR	RF-5EGKR22	(1)	4000201
PCB2	R6106	METAL PR	MPR5W+5W 0R22	1	4000233
PCB2	R6106 or	METAL PR	RGC55 0.22	(1)	4000132
PCB2	R6106 or	METAL PR	RF-5EGKR22	(1)	4000201
PCB2	R6106 or	METAL PR	RF-5EGKR22	(1)	4000201
PCB2	R6140	CARBON R	R16J-22K	1	417342234
PCB2	R6141	CARBON R	R16J-22K	1	417342234
PCB2	R6142	CARBON R	R16J-22K	1	417342234
PCB2	R6143	CARBON R	R16J-22K	1	417342234
PCB2	R6144	CARBON R	R16J-22K	1	417342234
PCB2	R6145	CARBON R	R16J-22K	1	417342234
PCB2	R6146	CARBON R	R16J-22K	1	417342234
PCB2	R6150	CARBON R	R16J-12K	1	417341234
PCB2	R6151	CARBON R	R16J-12K	1	417341234
PCB2	R6152	CARBON R	R16J-12K	1	417341234
PCB2	R6153	CARBON R	R16J-12K	1	417341234
PCB2	R6154	CARBON R	R16J-12K	1	417341234
PCB2	R6155	CARBON R	R16J-12K	1	417341234
PCB2	R6156	CARBON R	R16J-12K	1	417341234
PCB2	R6160	CARBON R	R16J-33K	1	417343334
PCB2	R6161	CARBON R	R16J-33K	1	417343334
PCB2	R6162	CARBON R	R16J-33K	1	417343334

PCB2	R6163	CARBON R	R16J-33K	1	417343334	
PCB2	R6164	CARBON R	R16J-33K	1	417343334	
PCB2	R6165	CARBON R	R16J-33K	1	417343334	
PCB2	R6166	CARBON R	R16J-33K	1	417343334	
PCB2	R6170	CARBON R	R16J-47K	1	417344734	
PCB2	R6171	CARBON R	R16J-47K	1	417344734	
PCB2	R6172	CARBON R	R16J-47K	1	417344734	
PCB2	R6173	CARBON R	R16J-47K	1	417344734	
PCB2	R6174	CARBON R	R16J-47K	1	417344734	
PCB2	R6175	CARBON R	R16J-47K	1	417344734	
PCB2	R6176	CARBON R	R16J-47K	1	417344734	
PCB2	R6180	CARBON R	R16J-47K	1	417344734	
PCB2	R6181	CARBON R	R16J-47K	1	417344734	
PCB2	R6182	CARBON R	R16J-47K	1	417344734	
PCB2	R6183	CARBON R	R16J-47K	1	417344734	
PCB2	R6184	CARBON R	R16J-47K	1	417344734	
PCB2	R6185	CARBON R	R16J-47K	1	417344734	
PCB2	R6186	CARBON R	R16J-47K	1	417344734	
PCB2	R6190	CARBON R	R16J-220K	1	417342244	
PCB2	R6191	CARBON R	R16J-220K	1	417342244	
PCB2	R6192	CARBON R	R16J-220K	1	417342244	
PCB2	R6193	CARBON R	R16J-220K	1	417342244	
PCB2	R6194	CARBON R	R16J-220K	1	417342244	
PCB2	R6195	CARBON R	R16J-220K	1	417342244	
PCB2	R6196	CARBON R	R16J-220K	1	417342244	
PCB2	R6230	METAL R	RNU1WCJ-8.2	1	453630824	
PCB2	R6231	METAL R	RNU1WCJ-8.2	1	453630824	
PCB2	R6232	METAL R	RNU1WCJ-8.2	1	453630824	
PCB2	R6233	METAL R	RNU1WCJ-8.2	1	453630824	
PCB2	R6234	METAL R	RNU1WCJ-8.2	1	453630824	
PCB2	R6235	METAL R	RNU1WCJ-8.2	1	453630824	
PCB2	R6236	METAL R	RNU1WCJ-8.2	1	453630824	
PCB2	R6701	CARBON R	R16J-22K	1	417342234	
PCB2	R6702	CARBON R	R16J-10K	1	417341034	
PCB2	R6704	CARBON R	R16J-47K	1	417344734	
PCB2	R6706	CARBON R	R16J-220K	1	417342244	
PCB2	R6708	CARBON R	R16J-33K	1	417343334	
PCB2	R6709	CARBON R	R16J-5.6K	1	417345624	
PCB2	R6710	CARBON R	R16J-12K	1	417341234	
PCB2	R6750	METAL O R	RS1/2WBJ-390	1	443523914	
PCB2	R6751	METAL O R	RS1/2WBJ-390	1	443523914	
PCB2	R6901	METAL O R	RS1/2WBJ-10	1	443521004	
PCB2	R6902	CARBON R	R16J-1K	1	417341024	
PCB2	RL6901	RELAY	NRL-1P10A-DC12-140	1	25065584	!
PCB2	RL6901 or	RELAY	NRL-1P10A-DC12-143	(1)	25065588	!
PCB2	RL6901A	TAPE	TAPE(CLOTH-16U)	(1)	29110083	
PCB2	RL6902	RELAY	NRL-1P10A-DC12-140	1	25065584	!
PCB2	RL6902 or	RELAY	NRL-1P10A-DC12-143	(1)	25065588	!
PCB2	RL6902A	TAPE	TAPE(CLOTH-16U)	(1)	29110083	
PCB2	F6901A	FUSE HOLDER	SN5051	1	250113	!
PCB2	F6901B	FUSE HOLDER	SN5051	1	250113	!
PCB2	F6902A	FUSE HOLDER	SN5051	1	250113	!
PCB2	F6902B	FUSE HOLDER	SN5051	1	250113	!

PCB2	P301	PLUG	NPLG-10P0965	1	25056015
PCB2	P302	PLUG	NPLG-20P0975	1	25056025
PCB2	P303	PLUG	NPLG-20P0975	1	25056025
PCB2	P311B	PLUG	NPLG-10P138	1	25055154
PCB2	P995	CRIMP AS	CRIMP AS	1	2069925200UL
PCB2	P996	CRIMP AS	CRIMP AS	1	2069925151UL
PCB2	P997	CRIMP AS	---	1	2069925154UL
PCB2	P5503	CRIMP AS	CRIMP AS	1	2069955150UL
PCB2	P5504	SOCKET AS	NSAS-26P1494	1	2009990954UL
PCB2	P5505	TRM(SCREW)	NEGITANSI M3	1	25065425
PCB2	P6000B	PLUG	NPLG-5P0960	1	25056010
PCB2	P6001B	PLUG	NPLG-5P0960	1	25056010
PCB2	P6002B	PLUG	NPLG-5P0960	1	25056010
PCB2	P6003B	PLUG	NPLG-5P0960	1	25056010
PCB2	P6004B	PLUG	NPLG-5P0960	1	25056010
PCB2	P6005B	PLUG	NPLG-5P0960	1	25056010
PCB2	P6011A	RETAINER	(BUS-D)	1	27141860
PCB2	P6080	PLUG	NPLG-2P29	1	25055038
PCB2	P6081	PLUG	NPLG-2P29	1	25055038
PCB2	P6082	PLUG	NPLG-2P29	1	25055038
PCB2	P6083	PLUG	NPLG-2P29	1	25055038
PCB2	P6084	PLUG	NPLG-2P29	1	25055038
PCB2	P6085	PLUG	NPLG-2P29	1	25055038
PCB2	P6086	PLUG	NPLG-2P29	1	25055038
PCB2	P6380	RETAINER	(PTH)	1	27141884-1
PCB2	P6380 or	RETAINER	(PTH)	(1)	27141884
PCB2	P6844	WS CLAMP	CB-71683(L=50)	1	260261
PCB2	P6845	WS CLAMP	CB-71683(L=50)	1	260261
PCB2	P6846	WS CLAMP	CB-71683(L=50)	1	260261
PCB2	P6848	WS CLAMP	CB-71683(L=50)	1	260261
PCB2	P6849	WS CLAMP	CB-71683(L=50)	1	260261
PCB2	P6851	HOLDER	HOLDER(CLAMP)	1	27190540-1
PCB2	P6906	TRM(SCREW)	NEGITANSI M3	1	25065425
PCB2	P7902	PIN JACK	NPJ-6PDWWRRR561	1	25045779
PCB2	P7902 or	PIN JACK	NPJ-6PDBL159	(1)	25045300
PCB2	P7903	PIN JACK	NPJ-4PDWRRR624	1	25045845
PCB2	P7903 or	PIN JACK	NPJ-4PDBL162	(1)	25045303
PCB2	P7904	PIN JACK	NPJ-6PDWWRRR561	1	25045779
PCB2	P7904 or	PIN JACK	NPJ-6PDBL159	(1)	25045300
PCB2	P7905	PIN JACK	NPJ-6PDWLGREP562	1	25045780
PCB2	P7905 or	PIN JACK	NPJ-6PWRLGGP493	(1)	25045697
PCB2	P7906	PIN JACK	NPJ-2PDWR558	1	25045776
PCB2	P7906 or	PIN JACK	NPJ-2PDBL185	(1)	25045333
PCB2	P7907	PIN JACK	NPJ-1PDP555	1	25045773
PCB2	P7907 or	PIN JACK	NPJ-1PDP510	(1)	25045720
PCB2	P9502	SOCKET AS	NSAS-28P1539	1	200C4192810UL
PCB2	E301A	TRM	NTM-1P232(M1700)	1	25060301
PCB2	J010	CRIMP AS	CRIMP AS	1	2069925226UL
PCB2	J011	CRIMP AS	CRIMP AS	1	2069925153UL
PCB2	JL291A	WIRE HOL	NSCT-3P874	1	25051087
PCB2	JL891B	SOCKET	NSCT-5P97	1	25050269
PCB2	JL5501A	WIRE HOL	NSCT-12P883	1	25051096
PCB2	JL5501B	WIRE HOL	NSCT-12P883	1	25051096

PCB2	JL5502A	WIRE HOL	NSCT-5P876	1	25051089	
PCB2	JL6006B	SOCKET	NSCT-5P97	1	25050269	
PCB2	JL6200A	WIRE HOL	NSCT-5P896	1	25051109	
PCB2	JL6200B	SOCKET	NSCT-5P97	1	25050269	
PCB2	JL6402A	WIRE HOL	NSCT-3P874	1	25051087	
PCB2	JL6402B	WIRE HOL	NSCT-3P874	1	25051087	
PCB2	JL6600A	WIRE HOL	NSCT-7P898	1	25051111	
PCB2	JL6603A	WIRE HOL	NSCT-9P900	1	25051113	
PCB2	JL6952A	WIRE HOL	NSCT-5P896	1	25051109	
PCB2	JL6952B	WIRE HOL	NSCT-5P896	1	25051109	
PCB3	U07	POWER SUPPLY-1 PC BOARD (NAPS-8533-2B)				
PCB3	U08	POWER SUPPLY-2 PC BOARD (NAPS-8535-2B)				
PCB3	U09	SEC. TERMINAL-1 PC BOARD (NAPS-8536-2B)				
PCB3	U10	SPEAKER TERMINAL PC BOARD (NAETC-8537-2B)				
PCB3	U11	CENTER SPEAKER TERMINAL PC BOARD (NAETC-8538-2B)				
PCB3	U12	DRIVER AMPLIFIER PC BOARD (NAAF-8540-2B)				
PCB3						
PCB3	CIRCUIT NO.	NAME	DESCRIPTION	Q'TY	PART NO	REMARKS
PCB3	Q921	TR	2SC2458-GR	1	2212115	
PCB3	Q921 or	TR	2SC2458-BL	(1)	2212116	
PCB3	Q921 or	TR	KTC3199-GR	(1)	2215864	
PCB3	Q5000	TR	2SC2240-BL	1	2211406	
PCB3	Q5001	TR	2SC2240-BL	1	2211406	
PCB3	Q5002	TR	2SC2240-BL	1	2211406	
PCB3	Q5003	TR	2SC2240-BL	1	2211406	
PCB3	Q5003 or	TR	KTC3200-BL	(1)	2215896	
PCB3	Q5004	TR	2SC2240-BL	1	2211406	
PCB3	Q5004 or	TR	KTC3200-BL	(1)	2215896	
PCB3	Q5005	TR	2SC2240-BL	1	2211406	
PCB3	Q5005 or	TR	KTC3200-BL	(1)	2215896	
PCB3	Q5006	TR	2SC2240-BL	1	2211406	
PCB3	Q5006 or	TR	KTC3200-BL	(1)	2215896	
PCB3	Q5010	TR	2SC2240-BL	1	2211406	
PCB3	Q5011	TR	2SC2240-BL	1	2211406	
PCB3	Q5012	TR	2SC2240-BL	1	2211406	
PCB3	Q5013	TR	2SC2240-BL	1	2211406	
PCB3	Q5013 or	TR	KTC3200-BL	(1)	2215896	
PCB3	Q5014	TR	2SC2240-BL	1	2211406	
PCB3	Q5014 or	TR	KTC3200-BL	(1)	2215896	
PCB3	Q5015	TR	2SC2240-BL	1	2211406	
PCB3	Q5015 or	TR	KTC3200-BL	(1)	2215896	
PCB3	Q5016	TR	2SC2240-BL	1	2211406	
PCB3	Q5016 or	TR	KTC3200-BL	(1)	2215896	
PCB3	Q5030	TR	2SA949-Y	1	2211354	
PCB3	Q5031	TR	2SA949-Y	1	2211354	
PCB3	Q5032	TR	2SA949-Y	1	2211354	
PCB3	Q5033	TR	2SA949-Y	1	2211354	
PCB3	Q5034	TR	2SA949-Y	1	2211354	
PCB3	Q5035	TR	2SA949-Y	1	2211354	
PCB3	Q5036	TR	2SA949-Y	1	2211354	
PCB3	Q5040	TR	2SC2229-Y	1	2211634	
PCB3	Q5041	TR	2SC2229-Y	1	2211634	

PCB3	Q5042	TR	2SC2229-Y	1	2211634
PCB3	Q5043	TR	2SC2229-Y	1	2211634
PCB3	Q5044	TR	2SC2229-Y	1	2211634
PCB3	Q5045	TR	2SC2229-Y	1	2211634
PCB3	Q5046	TR	2SC2229-Y	1	2211634
PCB3	Q5050	TR	2SC2240-GR	1	2211405
PCB3	Q5050 or	TR	2SC2240-BL	(1)	2211406
PCB3	Q5051	TR	2SC2240-GR	1	2211405
PCB3	Q5051 or	TR	2SC2240-BL	(1)	2211406
PCB3	Q5052	TR	2SC2240-GR	1	2211405
PCB3	Q5052 or	TR	2SC2240-BL	(1)	2211406
PCB3	Q5053	TR	2SC2240-GR	1	2211405
PCB3	Q5053 or	TR	2SC2240-BL	(1)	2211406
PCB3	Q5054	TR	2SC2240-GR	1	2211405
PCB3	Q5054 or	TR	2SC2240-BL	(1)	2211406
PCB3	Q5055	TR	2SC2240-GR	1	2211405
PCB3	Q5055 or	TR	2SC2240-BL	(1)	2211406
PCB3	Q5056	TR	2SC2240-GR	1	2211405
PCB3	Q5056 or	TR	2SC2240-BL	(1)	2211406
PCB3	Q9002	TR	KTA1268-GR	1	2215885
PCB3	Q9002 or	TR	KTA1268-BL	(1)	2215886
PCB3	Q9002 or	TR	2SA970-GR	(1)	2211395
PCB3	Q9002 or	TR	2SA970-BL	(1)	2211396
PCB3	D921	DIODE	1SS133(DS)	1	223280
PCB3	D921 or	DIODE	1SS133	(1)	223163
PCB3	D921 or	DIODE	1SS270A	(1)	223205
PCB3	D922	DIODE	1SS133(DS)	1	223280
PCB3	D922 or	DIODE	1SS133	(1)	223163
PCB3	D922 or	DIODE	1SS270A	(1)	223205
PCB3	D923	DIODE	1SS133(DS)	1	223280
PCB3	D923 or	DIODE	1SS133	(1)	223163
PCB3	D923 or	DIODE	1SS270A	(1)	223205
PCB3	D924	DIODE	1SS133(DS)	1	223280
PCB3	D924 or	DIODE	1SS133	(1)	223163
PCB3	D924 or	DIODE	1SS270A	(1)	223205
PCB3	D925	DIODE	1SS133(DS)	1	223280
PCB3	D925 or	DIODE	1SS133	(1)	223163
PCB3	D925 or	DIODE	1SS270A	(1)	223205
PCB3	D930	DIODE	1SS133(DS)	1	223280
PCB3	D930 or	DIODE	1SS133	(1)	223163
PCB3	D930 or	DIODE	1SS270A	(1)	223205
PCB3	D931	DIODE	1SS133(DS)	1	223280
PCB3	D931 or	DIODE	1SS133	(1)	223163
PCB3	D931 or	DIODE	1SS270A	(1)	223205
PCB3	D932	DIODE	1SS133(DS)	1	223280
PCB3	D932 or	DIODE	1SS133	(1)	223163
PCB3	D932 or	DIODE	1SS270A	(1)	223205
PCB3	D933	DIODE	1SS133(DS)	1	223280
PCB3	D933 or	DIODE	1SS133	(1)	223163
PCB3	D933 or	DIODE	1SS270A	(1)	223205
PCB3	D934	ZENER D	DZ-5.1BSB	1	224850512
PCB3	D934 or	ZENER D	MTZJ5.1B	(1)	224470512
PCB3	D935	DIODE	1SS133(DS)	1	223280

PCB3	D935 or	DIODE	ISS133	(1)	223163	
PCB3	D935 or	DIODE	ISS270A	(1)	223205	
PCB3	D5000	ZENER D	DZ-5.6BSB	1	224850562	
PCB3	D5000 or	ZENER D	MTZJ5.6B	(1)	224470562	
PCB3	D5001	ZENER D	DZ-5.6BSB	1	224850562	
PCB3	D5001 or	ZENER D	MTZJ5.6B	(1)	224470562	
PCB3	D5002	ZENER D	DZ-5.6BSB	1	224850562	
PCB3	D5002 or	ZENER D	MTZJ5.6B	(1)	224470562	
PCB3	D5003	ZENER D	DZ-5.6BSB	1	224850562	
PCB3	D5003 or	ZENER D	MTZJ5.6B	(1)	224470562	
PCB3	D5004	ZENER D	DZ-5.6BSB	1	224850562	
PCB3	D5004 or	ZENER D	MTZJ5.6B	(1)	224470562	
PCB3	D5005	ZENER D	DZ-5.6BSB	1	224850562	
PCB3	D5005 or	ZENER D	MTZJ5.6B	(1)	224470562	
PCB3	D5006	ZENER D	DZ-5.6BSB	1	224850562	
PCB3	D5006 or	ZENER D	MTZJ5.6B	(1)	224470562	
PCB3	D6600	DIODE	ISS133(DS)	1	223280	
PCB3	D6600 or	DIODE	ISS133	(1)	223163	
PCB3	D6600 or	DIODE	ISS270A	(1)	223205	
PCB3	D6603	DIODE	ISS133(DS)	1	223280	
PCB3	D6603 or	DIODE	ISS133	(1)	223163	
PCB3	D6603 or	DIODE	ISS270A	(1)	223205	
PCB3	D6605	DIODE	ISS133(DS)	1	223280	
PCB3	D6605 or	DIODE	ISS133	(1)	223163	
PCB3	D6605 or	DIODE	ISS270A	(1)	223205	
PCB3	D6607	DIODE	ISS133(DS)	1	223280	
PCB3	D6607 or	DIODE	ISS133	(1)	223163	
PCB3	D6607 or	DIODE	ISS270A	(1)	223205	
PCB3	D9001	DIODE	RL1N4003	1	22380260	
PCB3	D9001 or	DIODE	GP104003E	(1)	22380035	
PCB3	D9002	DIODE	RL1N4003	1	22380260	
PCB3	D9002 or	DIODE	GP104003E	(1)	22380035	
PCB3	D9003	DIODE	RL1N4003	1	22380260	
PCB3	D9003 or	DIODE	GP104003E	(1)	22380035	
PCB3	D9004	DIODE	RL1N4003	1	22380260	
PCB3	D9004 or	DIODE	GP104003E	(1)	22380035	
PCB3	D9009	DIODE	RL1N4003	1	22380260	
PCB3	D9009 or	DIODE	GP104003E	(1)	22380035	
PCB3	D9012	ZENER D	DZ-36BSD	1	224853604	
PCB3	D9012 or	ZENER D	MTZJ36D	(1)	224473604	
PCB3	D9013	DIODE	RL1N4003	1	22380260	
PCB3	D9013 or	DIODE	GP104003E	(1)	22380035	
PCB3	D9705	DIODE	ISS133(DS)	1	223280	
PCB3	D9705 or	DIODE	ISS133	(1)	223163	
PCB3	D9705 or	DIODE	ISS270A	(1)	223205	
PCB3	D9706	DIODE	ISS133(DS)	1	223280	
PCB3	D9706 or	DIODE	ISS133	(1)	223163	
PCB3	D9706 or	DIODE	ISS270A	(1)	223205	
PCB3	T902	P TRANS	NPT-1520JQ	1	2301812	!
PCB3	T902A	TAPE	TAPE(CLOTH-8U)	(1)	29110082	
PCB3	C901	IS C	ECQU2A103MLC	1	3800039S	!
PCB3	C901 or	IS C	RE275V-103M	(1)	3500196S	!
PCB3	C901 or	IS C	LE103-C3.5	(1)	3800042S	!

PCB3	C921	CERA C	CK45F50V-223Z	1	335622230
PCB3	C922	VR C	CE04W25V-2200M(VR)	1	394652227S
PCB3	C930	VR C	CE04W35V-100M(VR)	1	394661017
PCB3	C933	VR C	CE04W50V-4.7M(VR)	1	394680477
PCB3	C5000	TF C	ECQ-B50V-101K	1	374721015
PCB3	C5001	TF C	ECQ-B50V-101K	1	374721015
PCB3	C5002	TF C	ECQ-B50V-101K	1	374721015
PCB3	C5003	TF C	ECQ-B50V-101K	1	374721015
PCB3	C5004	TF C	ECQ-B50V-101K	1	374721015
PCB3	C5005	TF C	ECQ-B50V-101K	1	374721015
PCB3	C5006	TF C	ECQ-B50V-101K	1	374721015
PCB3	C5010	VX C	CE04W50V-47M(VX)	1	393384707
PCB3	C5011	VX C	CE04W50V-47M(VX)	1	393384707
PCB3	C5012	VX C	CE04W50V-10M(VX)	1	393381007
PCB3	C5013	VX C	CE04W50V-10M(VX)	1	393381007
PCB3	C5014	VX C	CE04W50V-10M(VX)	1	393381007
PCB3	C5015	VX C	CE04W50V-10M(VX)	1	393381007
PCB3	C5016	VX C	CE04W50V-10M(VX)	1	393381007
PCB3	C5020	VX C	CE04W50V-10M(VX)	1	393381007
PCB3	C5021	VX C	CE04W50V-10M(VX)	1	393381007
PCB3	C5022	VX C	CE04W50V-10M(VX)	1	393381007
PCB3	C5023	VX C	CE04W50V-10M(VX)	1	393381007
PCB3	C5024	VX C	CE04W50V-10M(VX)	1	393381007
PCB3	C5025	VX C	CE04W50V-10M(VX)	1	393381007
PCB3	C5026	VX C	CE04W50V-10M(VX)	1	393381007
PCB3	C5040	VX C	CE04W25V-220M(VX)	1	393352217
PCB3	C5041	VX C	CE04W25V-220M(VX)	1	393352217
PCB3	C5042	VX C	CE04W25V-220M(VX)	1	393352217
PCB3	C5043	VX C	CE04W25V-220M(VX)	1	393352217
PCB3	C5044	VX C	CE04W25V-220M(VX)	1	393352217
PCB3	C5045	VX C	CE04W25V-220M(VX)	1	393352217
PCB3	C5046	VX C	CE04W25V-220M(VX)	1	393352217
PCB3	C5050	VX C	CE04W50V-47M(VX)	1	393384707
PCB3	C5051	VX C	CE04W50V-47M(VX)	1	393384707
PCB3	C5052	VX C	CE04W50V-47M(VX)	1	393384707
PCB3	C5053	VX C	CE04W50V-47M(VX)	1	393384707
PCB3	C5054	VX C	CE04W50V-47M(VX)	1	393384707
PCB3	C5055	VX C	CE04W50V-47M(VX)	1	393384707
PCB3	C5056	VX C	CE04W50V-47M(VX)	1	393384707
PCB3	C5080	CERA C	CC45SL50V-040C	1	345020401
PCB3	C5081	CERA C	CC45SL50V-040C	1	345020401
PCB3	C5082	CERA C	CC45SL50V-040C	1	345020401
PCB3	C5083	CERA C	CC45SL50V-040C	1	345020401
PCB3	C5084	CERA C	CC45SL50V-040C	1	345020401
PCB3	C5085	CERA C	CC45SL50V-040C	1	345020401
PCB3	C5086	CERA C	CC45SL50V-040C	1	345020401
PCB3	C5090	TF C	ECQ-B50V-101K	1	374721015
PCB3	C5091	TF C	ECQ-B50V-101K	1	374721015
PCB3	C5092	TF C	ECQ-B50V-101K	1	374721015
PCB3	C5093	TF C	ECQ-B50V-101K	1	374721015
PCB3	C5094	TF C	ECQ-B50V-101K	1	374721015
PCB3	C5095	TF C	ECQ-B50V-101K	1	374721015
PCB3	C5096	TF C	ECQ-B50V-101K	1	374721015

PCB3	C5100	VR C	CE04W100V-10M(VR)	1	394691007
PCB3	C5101	VR C	CE04W100V-10M(VR)	1	394691007
PCB3	C5102	VR C	CE04W100V-10M(VR)	1	394691007
PCB3	C5103	VR C	CE04W100V-10M(VR)	1	394691007
PCB3	C5104	VR C	CE04W100V-10M(VR)	1	394691007
PCB3	C5105	VR C	CE04W100V-10M(VR)	1	394691007
PCB3	C5106	VR C	CE04W100V-10M(VR)	1	394691007
PCB3	C5110	VR C	CE04W100V-10M(VR)	1	394691007
PCB3	C5111	VR C	CE04W100V-10M(VR)	1	394691007
PCB3	C5112	VR C	CE04W100V-10M(VR)	1	394691007
PCB3	C5113	VR C	CE04W100V-10M(VR)	1	394691007
PCB3	C5114	VR C	CE04W100V-10M(VR)	1	394691007
PCB3	C5115	VR C	CE04W100V-10M(VR)	1	394691007
PCB3	C5116	VR C	CE04W100V-10M(VR)	1	394691007
PCB3	C6600	TF C	ECQ-B50V-103J	1	374721034
PCB3	C6602	TF C	ECQ-B50V-103J	1	374721034
PCB3	C6603	CERA C	CK45F50V-103Z	1	335621030
PCB3	C6605	CERA C	CK45F50V-103Z	1	335621030
PCB3	C6607	CERA C	CK45F50V-103Z	1	335621030
PCB3	C9001	MMT C	MMT50V-334J	1	375523344
PCB3	C9003	VR C	CE04W35V-1000M(VR)	1	394661027S
PCB3	C9004	VR C	CE04W35V-470M(VR)	1	394664717
PCB3	C9009	VR C	CE04W35V-220M(VR)	1	394662217
PCB3	C9014	VR C	CE04W63V-470M(VR)	1	394674717S
PCB3	C9015	VX C	CE04W50V-10M(VX)	1	393381007
PCB3	C9016	VX C	CE04W50V-10M(VX)	1	393381007
PCB3	C9591	MMT C	MMT50V-104J	1	375521044
PCB3	C9708	CERA C	CK45B50V-222K	1	335322225
PCB3	R922	CARBON R	R16J-10K	1	417341034
PCB3	R923	CARBON R	R16J-1K	1	417341024
PCB3	R924	METAL O R	RS1/2WBJ-100	1	443521014
PCB3	R934	CARBON R	R16J-100K	1	417341044
PCB3	R5000	CARBON R	R16J-1K	1	417341024
PCB3	R5001	CARBON R	R16J-1K	1	417341024
PCB3	R5002	CARBON R	R16J-1K	1	417341024
PCB3	R5003	CARBON R	R16J-1K	1	417341024
PCB3	R5004	CARBON R	R16J-1K	1	417341024
PCB3	R5005	CARBON R	R16J-1K	1	417341024
PCB3	R5006	CARBON R	R16J-1K	1	417341024
PCB3	R5010	CARBON R	R16J-56K	1	417345634
PCB3	R5011	CARBON R	R16J-56K	1	417345634
PCB3	R5012	CARBON R	R16J-56K	1	417345634
PCB3	R5013	CARBON R	R16J-56K	1	417345634
PCB3	R5014	CARBON R	R16J-56K	1	417345634
PCB3	R5015	CARBON R	R16J-56K	1	417345634
PCB3	R5016	CARBON R	R16J-56K	1	417345634
PCB3	R5020	CARBON R	R16J-330	1	417343314
PCB3	R5021	CARBON R	R16J-330	1	417343314
PCB3	R5022	CARBON R	R16J-330	1	417343314
PCB3	R5023	CARBON R	R16J-330	1	417343314
PCB3	R5024	CARBON R	R16J-330	1	417343314
PCB3	R5025	CARBON R	R16J-330	1	417343314
PCB3	R5026	CARBON R	R16J-330	1	417343314

PCB3	R5030	CARBON R	R16J-120K	1	417341244
PCB3	R5031	CARBON R	R16J-120K	1	417341244
PCB3	R5032	CARBON R	R16J-120K	1	417341244
PCB3	R5033	CARBON R	R16J-120K	1	417341244
PCB3	R5034	CARBON R	R16J-120K	1	417341244
PCB3	R5035	CARBON R	R16J-120K	1	417341244
PCB3	R5036	CARBON R	R16J-120K	1	417341244
PCB3	R5040	CARBON R	R16J-2.2K	1	417342224
PCB3	R5041	CARBON R	R16J-2.2K	1	417342224
PCB3	R5042	CARBON R	R16J-2.2K	1	417342224
PCB3	R5043	CARBON R	R16J-2.2K	1	417342224
PCB3	R5044	CARBON R	R16J-2.2K	1	417342224
PCB3	R5045	CARBON R	R16J-2.2K	1	417342224
PCB3	R5046	CARBON R	R16J-2.2K	1	417342224
PCB3	R5050	CARBON R	R16J-4.7K	1	417344724
PCB3	R5051	CARBON R	R16J-4.7K	1	417344724
PCB3	R5052	CARBON R	R16J-4.7K	1	417344724
PCB3	R5053	CARBON R	R16J-4.7K	1	417344724
PCB3	R5054	CARBON R	R16J-4.7K	1	417344724
PCB3	R5055	CARBON R	R16J-4.7K	1	417344724
PCB3	R5056	CARBON R	R16J-4.7K	1	417344724
PCB3	R5060	CARBON R	R16J-1.2K	1	417341224
PCB3	R5061	CARBON R	R16J-1.2K	1	417341224
PCB3	R5062	CARBON R	R16J-1.2K	1	417341224
PCB3	R5063	CARBON R	R16J-1.2K	1	417341224
PCB3	R5064	CARBON R	R16J-1.2K	1	417341224
PCB3	R5065	CARBON R	R16J-1.2K	1	417341224
PCB3	R5066	CARBON R	R16J-1.2K	1	417341224
PCB3	R5080	CARBON R	R16J-470	1	417344714
PCB3	R5081	CARBON R	R16J-470	1	417344714
PCB3	R5082	CARBON R	R16J-470	1	417344714
PCB3	R5083	CARBON R	R16J-470	1	417344714
PCB3	R5084	CARBON R	R16J-470	1	417344714
PCB3	R5085	CARBON R	R16J-470	1	417344714
PCB3	R5086	CARBON R	R16J-470	1	417344714
PCB3	R5090	CARBON R	R16J-100K	1	417341044
PCB3	R5091	CARBON R	R16J-100K	1	417341044
PCB3	R5092	CARBON R	R16J-100K	1	417341044
PCB3	R5093	CARBON R	R16J-100K	1	417341044
PCB3	R5094	CARBON R	R16J-100K	1	417341044
PCB3	R5095	CARBON R	R16J-100K	1	417341044
PCB3	R5096	CARBON R	R16J-100K	1	417341044
PCB3	R5100	CARBON R	R16J-100K	1	417341044
PCB3	R5101	CARBON R	R16J-100K	1	417341044
PCB3	R5102	CARBON R	R16J-100K	1	417341044
PCB3	R5103	CARBON R	R16J-100K	1	417341044
PCB3	R5104	CARBON R	R16J-100K	1	417341044
PCB3	R5105	CARBON R	R16J-100K	1	417341044
PCB3	R5106	CARBON R	R16J-100K	1	417341044
PCB3	R5110	CARBON R	R16J-1K	1	417341024
PCB3	R5111	CARBON R	R16J-1K	1	417341024
PCB3	R5112	CARBON R	R16J-1K	1	417341024
PCB3	R5113	CARBON R	R16J-1K	1	417341024

PCB3	R5114	CARBON R	R16J-1K	1	417341024
PCB3	R5115	CARBON R	R16J-1K	1	417341024
PCB3	R5116	CARBON R	R16J-1K	1	417341024
PCB3	R5130	CARBON R	R16J-22K	1	417342234
PCB3	R5131	CARBON R	R16J-22K	1	417342234
PCB3	R5132	CARBON R	R16J-18K	1	417341834
PCB3	R5133	CARBON R	R16J-18K	1	417341834
PCB3	R5134	CARBON R	R16J-18K	1	417341834
PCB3	R5135	CARBON R	R16J-18K	1	417341834
PCB3	R5136	CARBON R	R16J-18K	1	417341834
PCB3	R5160	NF CARBON R	R25J-100	1	415471014
PCB3	R5161	NF CARBON R	R25J-100	1	415471014
PCB3	R5162	NF CARBON R	R25J-100	1	415471014
PCB3	R5163	NF CARBON R	R25J-100	1	415471014
PCB3	R5164	NF CARBON R	R25J-100	1	415471014
PCB3	R5165	NF CARBON R	R25J-100	1	415471014
PCB3	R5166	NF CARBON R	R25J-100	1	415471014
PCB3	R5170	NF CARBON R	R25J-100	1	415471014
PCB3	R5171	NF CARBON R	R25J-100	1	415471014
PCB3	R5172	NF CARBON R	R25J-100	1	415471014
PCB3	R5173	NF CARBON R	R25J-100	1	415471014
PCB3	R5174	NF CARBON R	R25J-100	1	415471014
PCB3	R5175	NF CARBON R	R25J-100	1	415471014
PCB3	R5176	NF CARBON R	R25J-100	1	415471014
PCB3	R5180	NF CARBON R	R25J-10	1	415471004
PCB3	R5181	NF CARBON R	R25J-10	1	415471004
PCB3	R5182	NF CARBON R	R25J-10	1	415471004
PCB3	R5183	NF CARBON R	R25J-10	1	415471004
PCB3	R5184	NF CARBON R	R25J-10	1	415471004
PCB3	R5185	NF CARBON R	R25J-10	1	415471004
PCB3	R5186	NF CARBON R	R25J-10	1	415471004
PCB3	R5190	NF CARBON R	R25J-10	1	415471004
PCB3	R5191	NF CARBON R	R25J-10	1	415471004
PCB3	R5192	NF CARBON R	R25J-10	1	415471004
PCB3	R5193	NF CARBON R	R25J-10	1	415471004
PCB3	R5194	NF CARBON R	R25J-10	1	415471004
PCB3	R5195	NF CARBON R	R25J-10	1	415471004
PCB3	R5196	NF CARBON R	R25J-10	1	415471004
PCB3	R5200	CARBON R	R16J-22K	1	417342234
PCB3	R5201	CARBON R	R16J-22K	1	417342234
PCB3	R5230	CARBON R	R16J-120K	1	417341244
PCB3	R5231	CARBON R	R16J-120K	1	417341244
PCB3	R5232	CARBON R	R16J-120K	1	417341244
PCB3	R5233	CARBON R	R16J-120K	1	417341244
PCB3	R5234	CARBON R	R16J-120K	1	417341244
PCB3	R5235	CARBON R	R16J-120K	1	417341244
PCB3	R5236	CARBON R	R16J-120K	1	417341244
PCB3	R6690	METAL O R	RS1/2WBJ-10	1	443521004
PCB3	R9002	METAL O R	RS1/2WBJ-22	1	443522204
PCB3	R9003	CARBON R	R16J-8.2K	1	417348224
PCB3	R9004	CARBON R	R16J-8.2K	1	417348224
PCB3	R9005	CARBON R	R16J-330K	1	417343344
PCB3	R9591	METAL R	RNU1/2WCJ-0.47	1	453534794

PCB3	R9592	METAL R	RNU1/2WCJ-0.47	1	453534794	
PCB3	R9594	METAL R	RNU1/2WCJ-8.2	1	453530824	
PCB3	RL901	RELAY	NRL-1P5A-DC9-185	1	25065680	!
PCB3	RL901 or	RELAY	NRL-1P10A-DC9-186	(1)	25065683	!
PCB3	RL901A	TAPE	TAPE(CLOTH-16U)	(1)	29110083	
PCB3	RL6600	RELAY	NRL-2P5A-DC24-158	1	25065618	
PCB3	RL6600 or	RELAY	NRL-2P5A-DC24-129	(1)	25065563	
PCB3	RL6600A	TAPE	TAPE(CLOTH-16U)	1	29110083	
PCB3	RL6602	RELAY	NRL-2P5A-DC24-158	1	25065618	
PCB3	RL6602 or	RELAY	NRL-2P5A-DC24-129	(1)	25065563	
PCB3	RL6602A	TAPE	TAPE(CLOTH-16U)	(1)	29110083	
PCB3	RL6603	RELAY	NRL-2P5A-DC24-158	1	25065618	
PCB3	RL6603 or	RELAY	NRL-2P5A-DC24-129	(1)	25065563	
PCB3	RL6603A	TAPE	TAPE(CLOTH-16U)	(1)	29110083	
PCB3	RL6605	RELAY	NRL-2P5A-DC24-158	1	25065618	
PCB3	RL6605 or	RELAY	NRL-2P5A-DC24-129	(1)	25065563	
PCB3	RL6605A	TAPE	TAPE(CLOTH-16U)	(1)	29110083	
PCB3	RL6607	RELAY	NRL-2P5A-DC24-158	1	25065618	
PCB3	RL6607 or	RELAY	NRL-2P5A-DC24-129	(1)	25065563	
PCB3	RL6607A	TAPE	TAPE(CLOTH-16U)	(1)	29110083	
PCB3	F901A	FUSE HOL	NSCT-1P2031	1	25052133	!
PCB3	F901B	FUSE HOL	NSCT-1P2031	1	25052133	!
PCB3	F903A	FUSE HOL	NSCT-1P2031	1	25052133	!
PCB3	F903B	FUSE HOL	NSCT-1P2031	1	25052133	!
PCB3	F9501A	FUSE HOL	NSCT-1P2031	1	25052133	!
PCB3	F9501B	FUSE HOL	NSCT-1P2031	1	25052133	!
PCB3	P901A	PLUG	1-1123724-2	1	25056402	!
PCB3	P901A or	PLUG	NPLG-2P631	(1)	25055675	!
PCB3	P902	AC OUTLET	AC-181-UL-11V	1	25053030	!
PCB3	P912	PLUG	1-1123724-2	1	25056402	!
PCB3	P912 or	PLUG	NPLG-2P631	(1)	25055675	!
PCB3	P931A	PLUG	NPLG-5P0960	1	25056010	
PCB3	P931B	SOCKET	NSCT-5P2185	1	25052288	
PCB3	P5019	TRM(SCREW)	NEGITANSI M3	1	25065425	
PCB3	P5504A	PLUG	NPLG-13P141	1	25055157	
PCB3	P6000A	SOCKET	NSCT-5P2185	1	25052288	
PCB3	P6001A	SOCKET	NSCT-5P2185	1	25052288	
PCB3	P6002A	SOCKET	NSCT-5P2185	1	25052288	
PCB3	P6003A	SOCKET	NSCT-5P2185	1	25052288	
PCB3	P6004A	SOCKET	NSCT-5P2185	1	25052288	
PCB3	P6005A	SOCKET	NSCT-5P2185	1	25052288	
PCB3	P6011B	RETAINER	(BUS-U)	1	27141859	
PCB3	P6011C	TAPE	TAPE(CLOTH-16U)	(1)	29110083	
PCB3	P6021	WS CLAMP	CB-71683(L=50)	1	260261	
PCB3	P6600	TRM	NTM-8PDMN341	1	25060412	
PCB3	P6602	TRM	NTM-2PDMN318	1	25060387	
PCB3	P6605	TRM	NTM-4PDMN345	1	25060416	
PCB3	P6607	TRM	NTM-4PDML358	1	25060429	
PCB3	P6607 or	TRM	NTM-4PDML365	(1)	25060436	
PCB3	P9002	TRM(SCREW)	NEGITANSI M3	1	25065425	
PCB3	P9502A	PLUG	NPLG-14P142	1	25055158	
PCB3	E9001	RETAINER	KANAGU	1	27141059	
PCB3	JL2006B	SOCKET	NSCT-5P97	1	25050269	

PCB3	JL6006A	WIRE HOL	NSCT-5P896	1	25051109	
PCB3	JL6600B	SOCKET	NSCT-7P99	1	25050271	
PCB3	JL6602A	WIRE HOL	NSCT-4P895	1	25051108	
PCB3	JL6602B	SOCKET	NSCT-4P96	1	25050268	
PCB3	JL6603B	SOCKET	NSCT-9P101	1	25050273	
PCB3	JL9501A	WIRE HOL	NSCT-7P898	1	25051111	
PCB3	JL9501B	WIRE HOL	NSCT-7P898	1	25051111	
PCB4	U13	DISPLAY PC BOARD (NADIS-8625-1A)				
PCB4	U14	DSP PC BOARD (NADG-8626-1A)				
PCB4	U15	SWITCH PC BOARD (NASW-8627-1A)				
PCB4	U16	HEADPHONE JACK PC BOARD (NAETC-8628-1A)				
PCB4	U17	VIDEO 4 DIGITAL INPUT PC BOARD (NAETC-8629-1A)				
PCB4	U18	REGULATOR PC BOARD (NAPS-8630-1A)				
PCB4						
PCB4	CIRCUIT NO.	NAME	DESCRIPTION	Q'TY	PART NO	REMARKS
PCB4	Q801	FL TUBE	HNA-16SM10T	1	212249GRA	
PCB4	Q801 or	FL TUBE	16BT127GNK	(1)	213028	
PCB4	Q801A	HOLDER	(FL)	1	27191222B	
PCB4	U131	PHT CP	TORX177L	1	24120127	
PCB4	U132	PHT CP	TORX177L	1	24120127	
PCB4	U133	PHT CP	TORX177L	1	24120127	
PCB4	U134	PHT CP	TOTX177L	1	24120126	
PCB4	U821	REMO SENS	GP1UM281XKVFH=16MM	1	241361	
PCB4	U883	PHT CP	TORX177L	1	24120127	
PCB4	Q121	PHT CP	PC817X	1	24120080	
PCB4	Q131	IC	74HCU04F	1	222740046R2	
PCB4	Q151	IC	TC74VHC541FT	1	22274541ER2TO	
PCB4	Q151 or	IC	SN74AHC541PWR	(1)	22274541IR2TI	
PCB4	Q152	IC	TC74HCT7007AF	1	222740077R2TO	
PCB4	Q171	IC	TC7WU04FU	1	22240935R2	
PCB4	Q201	IC	CS494003CQZ	1	22242039R3	
PCB4	Q281	IC	MX26LV040-70	1	W0037R301456M100	
PCB4	Q282	IC	M12L16161A-7TG	1	22242278R3	
PCB4	Q282 or	IC	IC42S16100	(1)	22242123R2	
PCB4	Q282 or	IC	K4S161622H-UC60	(1)	22242152R2	
PCB4	Q292	IC	S-812C53AUA-C3HT2G	1	22242270R2	
PCB4	Q401	IC	NJM4580M-D	1	22241448R2	
PCB4	Q402	IC	NJM4580M-D	1	22241448R2	
PCB4	Q403	IC	NJM4580M-D	1	22241448R2	
PCB4	Q404	IC	NJM4580M-D	1	22241448R2	
PCB4	Q421	IC	CS42518-CQZR-D	1	22242229R2	
PCB4	Q501	IC	NJM4580M-D	1	22241448R2	
PCB4	Q502	IC	NJM4580M-D	1	22241448R2	
PCB4	Q503	IC	NJM4580M-D	1	22241448R2	
PCB4	Q701	IC	M30627MHP-282GPU0	1	22242292R3	
PCB4	Q721	IC	S-812C56AUA-C3K	1	22242207R2	
PCB4	Q802	IC	M66005-0001AHP	1	22242208R3	
PCB4	Q871	IC	NJM4580M-D	1	22241448R2	
PCB4	Q122	TR	UNR2211	1	2217130R2	
PCB4	Q122 or	TR	RN1402	(1)	2214470R2	
PCB4	Q122 or	TR	KRC102S	(1)	2216190R2	
PCB4	Q123	TR	UNR2211	1	2217130R2	

PCB4	Q123 or	TR	RN1402	(1)	2214470R2
PCB4	Q123 or	TR	KRC102S	(1)	2216190R2
PCB4	Q126	TR	2SB1240-R	1	2213794
PCB4	Q126 or	TR	2SB1068-U	(1)	2212855
PCB4	Q126 or	TR	2SB1068-K	(1)	2212853
PCB4	Q127	TR	UNR2211	1	2217130R2
PCB4	Q127 or	TR	RN1402	(1)	2214470R2
PCB4	Q127 or	TR	KRC102S	(1)	2216190R2
PCB4	Q291	TR	2SA1930	1	2203000
PCB4	Q291 or	TR	2SA2140-Q.P	(1)	2217151
PCB4	Q703	TR	UNR2213	1	2217140R2
PCB4	Q703 or	TR	RN1404	(1)	2214490R2
PCB4	Q703 or	TR	KRC104S	(1)	2216210R2
PCB4	Q705	TR	UNR2111	1	2217110R2
PCB4	Q705 or	TR	RN2402	(1)	2214530R2
PCB4	Q705 or	TR	KRA102S	(1)	2216220R2
PCB4	Q711	TR	UNR2213	1	2217140R2
PCB4	Q711 or	TR	RN1404	(1)	2214490R2
PCB4	Q711 or	TR	KRC104S	(1)	2216210R2
PCB4	Q712	TR	UNR2111	1	2217110R2
PCB4	Q712 or	TR	RN2402	(1)	2214530R2
PCB4	Q712 or	TR	KRA102S	(1)	2216220R2
PCB4	Q713	TR	UNR2213	1	2217140R2
PCB4	Q713 or	TR	RN1404	(1)	2214490R2
PCB4	Q713 or	TR	KRC104S	(1)	2216210R2
PCB4	Q714	TR	UNR2111	1	2217110R2
PCB4	Q714 or	TR	RN2402	(1)	2214530R2
PCB4	Q714 or	TR	KRA102S	(1)	2216220R2
PCB4	Q715	TR	UNR2213	1	2217140R2
PCB4	Q715 or	TR	RN1404	(1)	2214490R2
PCB4	Q715 or	TR	KRC104S	(1)	2216210R2
PCB4	Q716	TR	UNR2111	1	2217110R2
PCB4	Q716 or	TR	RN2402	(1)	2214530R2
PCB4	Q716 or	TR	KRA102S	(1)	2216220R2
PCB4	Q803	TR	KTC3875-GR	1	2216175R2
PCB4	Q803 or	TR	2SC2712-GR	(1)	2213145R2
PCB4	Q821	TR	UNR2111	1	2217110R2
PCB4	Q821 or	TR	RN2402	(1)	2214530R2
PCB4	Q821 or	TR	KRA102S	(1)	2216220R2
PCB4	Q822	TR	UNR2211	1	2217130R2
PCB4	Q822 or	TR	RN1402	(1)	2214470R2
PCB4	Q822 or	TR	KRC102S	(1)	2216190R2
PCB4	Q823	TR	UNR2111	1	2217110R2
PCB4	Q823 or	TR	RN2402	(1)	2214530R2
PCB4	Q823 or	TR	KRA102S	(1)	2216220R2
PCB4	Q873	TR	RN1441	1	2215410R2
PCB4	Q874	TR	RN1441	1	2215410R2
PCB4	D102	DIODE	RL1N4003	1	22380260
PCB4	D102 or	DIODE	GP104003E	(1)	22380035
PCB4	D103	DIODE	RL1N4003	1	22380260
PCB4	D103 or	DIODE	GP104003E	(1)	22380035
PCB4	D104	DIODE	RL1N4003	1	22380260
PCB4	D104 or	DIODE	GP104003E	(1)	22380035

PCB4	D121	C-DIODE	KDS4148U	1	223283R2	
PCB4	D121 or	C-DIODE	MA2J111	(1)	223279R2	
PCB4	D121 or	C-DIODE	1SS355	(1)	223269R2	
PCB4	D121 or	C-DIODE	1SS352	(1)	223234R2	
PCB4	D122	C-DIODE	KDS4148U	1	223283R2	
PCB4	D122 or	C-DIODE	MA2J111	(1)	223279R2	
PCB4	D122 or	C-DIODE	1SS355	(1)	223269R2	
PCB4	D122 or	C-DIODE	1SS352	(1)	223234R2	
PCB4	D301	C-DIODE	KDS4148U	1	223283R2	
PCB4	D301 or	C-DIODE	MA2J111	(1)	223279R2	
PCB4	D301 or	C-DIODE	1SS355	(1)	223269R2	
PCB4	D301 or	C-DIODE	1SS352	(1)	223234R2	
PCB4	D302	C-DIODE	KDS4148U	1	223283R2	
PCB4	D302 or	C-DIODE	MA2J111	(1)	223279R2	
PCB4	D302 or	C-DIODE	1SS355	(1)	223269R2	
PCB4	D302 or	C-DIODE	1SS352	(1)	223234R2	
PCB4	D303	C-DIODE	KDS4148U	1	223283R2	
PCB4	D303 or	C-DIODE	MA2J111	(1)	223279R2	
PCB4	D303 or	C-DIODE	1SS355	(1)	223269R2	
PCB4	D303 or	C-DIODE	1SS352	(1)	223234R2	
PCB4	D304	C-DIODE	KDS4148U	1	223283R2	
PCB4	D304 or	C-DIODE	MA2J111	(1)	223279R2	
PCB4	D304 or	C-DIODE	1SS355	(1)	223269R2	
PCB4	D304 or	C-DIODE	1SS352	(1)	223234R2	
PCB4	D305	C-DIODE	KDS4148U	1	223283R2	
PCB4	D305 or	C-DIODE	MA2J111	(1)	223279R2	
PCB4	D305 or	C-DIODE	1SS355	(1)	223269R2	
PCB4	D305 or	C-DIODE	1SS352	(1)	223234R2	
PCB4	D306	C-DIODE	KDS4148U	1	223283R2	
PCB4	D306 or	C-DIODE	MA2J111	(1)	223279R2	
PCB4	D306 or	C-DIODE	1SS355	(1)	223269R2	
PCB4	D306 or	C-DIODE	1SS352	(1)	223234R2	
PCB4	D307	C-DIODE	KDS4148U	1	223283R2	
PCB4	D307 or	C-DIODE	MA2J111	(1)	223279R2	
PCB4	D307 or	C-DIODE	1SS355	(1)	223269R2	
PCB4	D307 or	C-DIODE	1SS352	(1)	223234R2	
PCB4	D308	C-DIODE	KDS4148U	1	223283R2	
PCB4	D308 or	C-DIODE	MA2J111	(1)	223279R2	
PCB4	D308 or	C-DIODE	1SS355	(1)	223269R2	
PCB4	D308 or	C-DIODE	1SS352	(1)	223234R2	
PCB4	D701	C-DIODE	KDS4148U	1	223283R2	
PCB4	D701 or	C-DIODE	MA2J111	(1)	223279R2	
PCB4	D701 or	C-DIODE	1SS355	(1)	223269R2	
PCB4	D701 or	C-DIODE	1SS352	(1)	223234R2	
PCB4	D702	C-DIODE	KDS4148U	1	223283R2	
PCB4	D702 or	C-DIODE	MA2J111	(1)	223279R2	
PCB4	D702 or	C-DIODE	1SS355	(1)	223269R2	
PCB4	D702 or	C-DIODE	1SS352	(1)	223234R2	
PCB4	D703	C-DIODE	KDS4148U	1	223283R2	
PCB4	D703 or	C-DIODE	MA2J111	(1)	223279R2	
PCB4	D703 or	C-DIODE	1SS355	(1)	223269R2	
PCB4	D703 or	C-DIODE	1SS352	(1)	223234R2	
PCB4	D706	C-DIODE	KDS4148U	1	223283R2	

PCB4	D706 or	C-DIODE	MA2J111	(1)	223279R2
PCB4	D706 or	C-DIODE	1SS355	(1)	223269R2
PCB4	D706 or	C-DIODE	1SS352	(1)	223234R2
PCB4	D707	ZENER D	HZU5.1B	1	224660514R2
PCB4	D707 or	ZENER D	UDZS5.1B	(1)	224550510R2
PCB4	D708	C-DIODE	KDS4148U	1	223283R2
PCB4	D708 or	C-DIODE	MA2J111	(1)	223279R2
PCB4	D708 or	C-DIODE	1SS355	(1)	223269R2
PCB4	D708 or	C-DIODE	1SS352	(1)	223234R2
PCB4	D711	C-DIODE	KDS4148U	1	223283R2
PCB4	D711 or	C-DIODE	MA2J111	(1)	223279R2
PCB4	D711 or	C-DIODE	1SS355	(1)	223269R2
PCB4	D711 or	C-DIODE	1SS352	(1)	223234R2
PCB4	D811	ZENER D	HZU7.5B	1	224660754R2
PCB4	D811 or	ZENER D	UDZS7.5B	(1)	224550750R2
PCB4	D821	LED	SLI-343URC-TE7	1	225449
PCB4	D822	LED	SLR-342MGTE7P	1	225455
PCB4	D822 or	LED	SEL4410G	(1)	225454
PCB4	D823	LED	SLR343BCT3F	1	225445
PCB4	D823 or	LED	SELU2E10C-P	(1)	225437
PCB4	D871	ZENER D	HZU5.1B	1	224660514R2
PCB4	D871 or	ZENER D	UDZS5.1B	(1)	224550510R2
PCB4	X171	CRYSTAL	HC-49U0312.288MHz	1	3010414
PCB4	X171 or	CRYSTAL	HC-49US12.288MHz	(1)	3010422
PCB4	X171A	TAPE	TAPE(CLOTH-8U)	(1)	29110082
PCB4	X701	CERA LOCK	CSTCR6M0055-R0	1	3010397R2
PCB4	L131	CHOKE COIL	NCH-1471	1	231237K022R2
PCB4	L131 or	CHOKE COIL	NCH-1587-022M	(1)	233533M022R2
PCB4	L132	CHOKE COIL	NCH-1471	1	231237K022R2
PCB4	L132 or	CHOKE COIL	NCH-1587-022M	(1)	233533M022R2
PCB4	L133	CHOKE COIL	NCH-1471	1	231237K022R2
PCB4	L133 or	CHOKE COIL	NCH-1587-022M	(1)	233533M022R2
PCB4	L134	CHOKE COIL	NCH-1471	1	231237K022R2
PCB4	L134 or	CHOKE COIL	NCH-1587-022M	(1)	233533M022R2
PCB4	L171	CHOKE COIL	NCH-1471	1	231237K022R2
PCB4	L171 or	CHOKE COIL	NCH-1587-022M	(1)	233533M022R2
PCB4	L172	EMIFIL	BK1608LM182-T	1	230958R1
PCB4	L173	EMIFIL	BK1608LM182-T	1	230958R1
PCB4	L201	CHOKE COIL	NCH-1471	1	231237K022R2
PCB4	L202	CHOKE COIL	NCH-1471	1	231237K022R2
PCB4	L203	CHOKE COIL	NCH-1471	1	231237K022R2
PCB4	L211	EMIFIL	BK1608LL241-T	1	230959R1
PCB4	L281	CHOKE COIL	NCH-1471	1	231237K022R2
PCB4	L282	CHOKE COIL	NCH-1471	1	231237K022R2
PCB4	L301	CHOKE COIL	NCH-1471	1	231237K022R2
PCB4	L302	CHOKE COIL	NCH-1587-022M	1	233533M022R2
PCB4	L303	CHOKE COIL	NCH-1587-022M	1	233533M022R2
PCB4	L311	EMIFIL	BK1608LM182-T	1	230958R1
PCB4	L312	EMIFIL	BK1608LM182-T	1	230958R1
PCB4	L313	EMIFIL	BK1608LM182-T	1	230958R1
PCB4	L701	CHOKE COIL	NCH-1479	1	231237K470R2
PCB4	L811	CHOKE COIL	NCH-1471	1	231237K022R2
PCB4	L811 or	CHOKE COIL	NCH-1587-022M	(1)	233533M022R2

PCB4	L812	CHOKE COIL	NCH-1471	1	231237K022R2
PCB4	L812 or	CHOKE COIL	NCH-1587-022M	(1)	233533M022R2
PCB4	L873	CHOKE COIL	NCH-1471	1	231237K022R2
PCB4	L873 or	CHOKE COIL	NCH-1587-022M	(1)	233533M022R2
PCB4	L874	CHOKE COIL	NCH-1471	1	231237K022R2
PCB4	L874 or	CHOKE COIL	NCH-1587-022M	(1)	233533M022R2
PCB4	L881	CHOKE COIL	NCH-1471	1	231237K022R2
PCB4	L881 or	CHOKE COIL	NCH-1587-022M	(1)	233533M022R2
PCB4	L891	CHOKE COIL	NCH-1471	1	231237K022R2
PCB4	L891 or	CHOKE COIL	NCH-1587-022M	(1)	233533M022R2
PCB4	L892	CHOKE COIL	NCH-1471	1	231237K022R2
PCB4	L892 or	CHOKE COIL	NCH-1587-022M	(1)	233533M022R2
PCB4	L893	CHOKE COIL	NCH-1471	1	231237K022R2
PCB4	L893 or	CHOKE COIL	NCH-1587-022M	(1)	233533M022R2
PCB4	C101	VR C	CE04W16V-100M(VR)	1	394641017
PCB4	C106	C-CERA C	CK725F1E-104Z1	1	332161040R1
PCB4	C121	C-CERA C	CK725B1E-223K1	1	332112235R1
PCB4	C122	VR C	CE04W16V-100M(VR)	1	394641017
PCB4	C126	C-CERA C	CK725F1E-104Z1	1	332161040R1
PCB4	C129	C-CERA C	CK725F1E-104Z1	1	332161040R1
PCB4	C131	C-CERA C	CC725CH1H-101J1	1	342101014R1
PCB4	C132	C-CERA C	CK725B1C-104K1	1	332121045R1
PCB4	C133	C-CERA C	CC725CH1H-080D1	1	342100802R1
PCB4	C134	C-CERA C	CC725CH1H-101J1	1	342101014R1
PCB4	C135	C-CERA C	CK725B1C-104K1	1	332121045R1
PCB4	C136	C-CERA C	CC725CH1H-080D1	1	342100802R1
PCB4	C137	C-CERA C	CK725B1C-104K1	1	332121045R1
PCB4	C138	C-CERA C	CC725CH1H-080D1	1	342100802R1
PCB4	C139	VR C	CE04W16V-100M(VR)	1	394641017
PCB4	C140	C-CERA C	CK725F1E-104Z1	1	332161040R1
PCB4	C141	C-CERA C	CK725F1E-104Z1	1	332161040R1
PCB4	C142	C-CERA C	CK725F1E-104Z1	1	332161040R1
PCB4	C143	C-CERA C	CK725F1E-104Z1	1	332161040R1
PCB4	C144	C-CERA C	CK725F1E-104Z1	1	332161040R1
PCB4	C145	VR C	CE04W16V-100M(VR)	1	394641017
PCB4	C146	C-CERA C	CK725F1E-104Z1	1	332161040R1
PCB4	C151	C-CERA C	CK725F1E-104Z1	1	332161040R1
PCB4	C152	C-CERA C	CK725F1E-104Z1	1	332161040R1
PCB4	C171	C-CERA C	CK725F1E-104Z1	1	332161040R1
PCB4	C172	C-CERA C	CC725CH1H-120J1	1	342101204R1
PCB4	C173	C-CERA C	CC725CH1H-120J1	1	342101204R1
PCB4	C201	VR C	CE04W16V-100M(VR)	1	394641017
PCB4	C202	VR C	CE04W16V-100M(VR)	1	394641017
PCB4	C203	VR C	CE04W16V-100M(VR)	1	394641017
PCB4	C204	CHIP TANTAL	CS772SB1C-2.2M	1	395640227R2
PCB4	C205	C SERA C	CC725CH1H-122J1	1	342101224R1
PCB4	C206	C-CERA C	CC725CH1H-680J1	1	342106804R1
PCB4	C207	C-CERA C	CK725F1E-104Z1	1	332161040R1
PCB4	C208	C-CERA C	CK725F1E-104Z1	1	332161040R1
PCB4	C209	C-CERA C	CK725F1E-104Z1	1	332161040R1
PCB4	C210	C-CERA C	CK725F1E-104Z1	1	332161040R1
PCB4	C212	C-CERA C	CK725F1E-104Z1	1	332161040R1
PCB4	C213	C-CERA C	CK725F1E-104Z1	1	332161040R1

PCB4	C214	C-CERA C	CK725F1E-104Z1	1	332161040R1
PCB4	C215	C-CERA C	CK725F1E-104Z1	1	332161040R1
PCB4	C216	C-CERA C	CK725F1E-104Z1	1	332161040R1
PCB4	C217	C-CERA C	CK725F1E-104Z1	1	332161040R1
PCB4	C219	C-CERA C	CC725CH1H-101J1	1	342101014R1
PCB4	C281	VR C	CE04W16V-100M(VR)	1	394641017
PCB4	C282	C-CERA C	CK725F1E-104Z1	1	332161040R1
PCB4	C283	VR C	CE04W16V-100M(VR)	1	394641017
PCB4	C284	C-CERA C	CK725F1E-104Z1	1	332161040R1
PCB4	C287	C-CERA C	CK725F1E-104Z1	1	332161040R1
PCB4	C288	C-CERA C	CK725F1E-104Z1	1	332161040R1
PCB4	C291	C-CERA C	CK725F1E-104Z1	1	332161040R1
PCB4	C292	VR C	CE04W6.3V-470M(VR)	1	394624717
PCB4	C301	VR C	CE04W6.3V-220M(VR)	1	394622217
PCB4	C302	C-CERA C	CK725F1E-104Z1	1	332161040R1
PCB4	C304	RFS C	CE04W25V-47M(RFS)	1	395954707
PCB4	C305	C-CERA C	CK725F1E-104Z1	1	332161040R1
PCB4	C306	VR C	CE04W16V-100M(VR)	1	394641017
PCB4	C307	C-CERA C	CK725F1E-104Z1	1	332161040R1
PCB4	C308	VR C	CE04W6.3V-220M(VR)	1	394622217
PCB4	C309	C-CERA C	CK725B1H-222K1	1	332102225R1
PCB4	C310	C-CERA C	CK725B1H-473K1	1	332104735R1
PCB4	C311	C-CERA C	CK725F1E-104Z1	1	332161040R1
PCB4	C312	VR C	CE04W6.3V-220M(VR)	1	394622217
PCB4	C313	C-CERA C	CK725F1E-104Z1	1	332161040R1
PCB4	C321	VX C	CE04W50V-10M(VX)	1	393381007
PCB4	C322	VX C	CE04W50V-10M(VX)	1	393381007
PCB4	C323	VX C	CE04W50V-10M(VX)	1	393381007
PCB4	C324	VX C	CE04W50V-10M(VX)	1	393381007
PCB4	C325	TF C	ECQ-B50V-222J	1	374722224
PCB4	C326	TF C	ECQ-B50V-222J	1	374722224
PCB4	C331	C-CERA C	CC725CH1H-330J1	1	342103304R1
PCB4	C332	C-CERA C	CC725CH1H-330J1	1	342103304R1
PCB4	C333	C-CERA C	CC725CH1H-330J1	1	342103304R1
PCB4	C334	C-CERA C	CC725CH1H-330J1	1	342103304R1
PCB4	C335	C-CERA C	CC725CH1H-330J1	1	342103304R1
PCB4	C336	C-CERA C	CC725CH1H-330J1	1	342103304R1
PCB4	C403	TF C	ECQ-B50V-472J	1	374724724
PCB4	C404	TF C	ECQ-V50V-333J	1	374723334
PCB4	C405	TF C	ECQ-B50V-472J	1	374724724
PCB4	C406	TF C	ECQ-B50V-472J	1	374724724
PCB4	C407	TF C	ECQ-B50V-472J	1	374724724
PCB4	C408	TF C	ECQ-B50V-472J	1	374724724
PCB4	C411	C-CERA C	CC725CH1H-101J1	1	342101014R1
PCB4	C412	C-CERA C	CC725CH1H-101J1	1	342101014R1
PCB4	C413	C-CERA C	CC725CH1H-681J1	1	342106814R1
PCB4	C415	C-CERA C	CC725CH1H-681J1	1	342106814R1
PCB4	C416	C-CERA C	CC725CH1H-681J1	1	342106814R1
PCB4	C417	C-CERA C	CC725CH1H-681J1	1	342106814R1
PCB4	C418	C-CERA C	CC725CH1H-681J1	1	342106814R1
PCB4	C419	TF C	ECQ-B50V-153J	1	374721534
PCB4	C420	TF C	ECQ-B50V-153J	1	374721534
PCB4	C421	C-CERA C	CC725CH1H-101J1	1	342101014R1

PCB4	C422	C-CERA C	CC725CH1H-101J1	1	342101014R1
PCB4	C423	C-CERA C	CC725CH1H-681J1	1	342106814R1
PCB4	C425	C-CERA C	CC725CH1H-681J1	1	342106814R1
PCB4	C426	C-CERA C	CC725CH1H-681J1	1	342106814R1
PCB4	C427	C-CERA C	CC725CH1H-681J1	1	342106814R1
PCB4	C428	C-CERA C	CC725CH1H-681J1	1	342106814R1
PCB4	C501	TF C	ECQ-B50V-272J	1	374722724
PCB4	C502	TF C	ECQ-B50V-272J	1	374722724
PCB4	C511	TF C	ECQ-B50V-122J	1	374721224
PCB4	C512	TF C	ECQ-B50V-122J	1	374721224
PCB4	C523	VX C	CE04W50V-10M(VX)	1	393381007
PCB4	C524	VX C	CE04W50V-10M(VX)	1	393381007
PCB4	C525	VX C	CE04W50V-10M(VX)	1	393381007
PCB4	C526	VX C	CE04W50V-10M(VX)	1	393381007
PCB4	C531	VR C	CE04W16V-220M(VR)	1	394642217
PCB4	C532	VR C	CE04W16V-220M(VR)	1	394642217
PCB4	C701	VR C	CE04W16V-100M(VR)	1	394641017
PCB4	C702	VR C	CE04W16V-100M(VR)	1	394641017
PCB4	C703	VR C	CE04W16V-100M(VR)	1	394641017
PCB4	C704	EDL C	DX-5R5L224	1	3000079
PCB4	C705	VR C	CE04W16V-100M(VR)	1	394641017
PCB4	C706	VR C	CE04W50V-4.7M(VR)	1	394680477
PCB4	C707	C-CERA C	CK725F1E-104Z1	1	332161040R1
PCB4	C708	C-CERA C	CK725F1E-104Z1	1	332161040R1
PCB4	C709	C-CERA C	CK725F1E-104Z1	1	332161040R1
PCB4	C710	C-CERA C	CK725F1E-104Z1	1	332161040R1
PCB4	C711	C-CERA C	CK725F1E-104Z1	1	332161040R1
PCB4	C712	C-CERA C	CK725F1E-104Z1	1	332161040R1
PCB4	C713	C-CERA C	CK725B1H-102K1	1	332101025R1
PCB4	C714	C-CERA C	CK725B1H-102K1	1	332101025R1
PCB4	C715	C-CERA C	CK725B1H-102K1	1	332101025R1
PCB4	C716	C-CERA C	CK725B1H-102K1	1	332101025R1
PCB4	C717	C-CERA C	CK725B1H-102K1	1	332101025R1
PCB4	C718	C-CERA C	CK725B1H-102K1	1	332101025R1
PCB4	C719	C-CERA C	CK725B1H-102K1	1	332101025R1
PCB4	C720	C-CERA C	CK725B1H-102K1	1	332101025R1
PCB4	C721	C-CERA C	CK725B1H-102K1	1	332101025R1
PCB4	C722	C-CERA C	CK725B1H-102K1	1	332101025R1
PCB4	C723	C-CERA C	CK725F1E-104Z1	1	332161040R1
PCB4	C724	TF C	ECQ-V50V-124J	1	374721244
PCB4	C725	C-CERA C	CC725CH1H-101J1	1	342101014R1
PCB4	C726	C-CERA C	CC725CH1H-101J1	1	342101014R1
PCB4	C747	VX C	CE04W50V-10M(VX)	1	393381007
PCB4	C748	VX C	CE04W50V-10M(VX)	1	393381007
PCB4	C749	VX C	CE04W50V-10M(VX)	1	393381007
PCB4	C751	C-CERA C	CK732B1C-474K	1	337394745R1
PCB4	C752	C-CERA C	CK732B1C-474K	1	337394745R1
PCB4	C753	C-CERA C	CK732B1C-474K	1	337394745R1
PCB4	C754	VX C	CE04W50V-10M(VX)	1	393381007
PCB4	C801	MMT C	MMT50V-474J	1	375524744
PCB4	C802	ELECT C	CE04W6.3V-100M(S)	1	353721019
PCB4	C803	C-CERA C	CC725CH1H-101J1	1	342101014R1
PCB4	C804	C-CERA C	CK725F1E-104Z1	1	332161040R1

PCB4	C805	C-CERA C	CK725F1E-104Z1	1	332161040R1
PCB4	C806	C-CERA C	CC725CH1H-101J1	1	342101014R1
PCB4	C807	C-CERA C	CC725CH1H-101J1	1	342101014R1
PCB4	C808	C-CERA C	CC725CH1H-101J1	1	342101014R1
PCB4	C809	C-CERA C	CC725CH1H-101J1	1	342101014R1
PCB4	C811	C-CERA C	CK725F1H-473Z1	1	332154730R1
PCB4	C812	C-CERA C	CK725F1E-104Z1	1	332161040R1
PCB4	C813	C-CERA C	CK725F1E-104Z1	1	332161040R1
PCB4	C814	C-CERA C	CK725F1E-104Z1	1	332161040R1
PCB4	C815	C-CERA C	CK725F1H-473Z1	1	332154730R1
PCB4	C816	C-CERA C	CK725F1H-473Z1	1	332154730R1
PCB4	C817	ELECT C	CE04W50V-33M	1	355783309
PCB4	C818	C-CERA C	CK725F1H-473Z1	1	332154730R1
PCB4	C819	C-CERA C	CK725F1E-104Z1	1	332161040R1
PCB4	C820	C-CERA C	CK725F1E-104Z1	1	332161040R1
PCB4	C821	C-CERA C	CK725F1E-104Z1	1	332161040R1
PCB4	C822	C-CERA C	CK725F1E-104Z1	1	332161040R1
PCB4	C823	ELECT C	CE04W6.3V-100M(S)	1	353721019
PCB4	C825	C-CERA C	CK725B1H-102K1	1	332101025R1
PCB4	C871	C-CERA C	CC725CH1H-101J1	1	342101014R1
PCB4	C872	ELECT C	CE04W16V-10M(S)	1	353741009
PCB4	C873	C-CERA C	CC725CH1H-101J1	1	342101014R1
PCB4	C874	ELECT C	CE04W16V-47M(S)	1	353744709
PCB4	C875	ELECT C	CE04W16V-47M(S)	1	353744709
PCB4	C876	ELECT C	CE04W16V-47M(S)	1	353744709
PCB4	C879	C-CERA C	CC725CH1H-330J1	1	342103304R1
PCB4	C880	ELECT C	CE04W16V-10M(S)	1	353741009
PCB4	C881	C-CERA C	CC725CH1H-471J1	1	342104714R1
PCB4	C882	C-CERA C	CC725CH1H-471J1	1	342104714R1
PCB4	C883	C-CERA C	CK725F1E-104Z1	1	332161040R1
PCB4	C884	C-CERA C	CK725F1E-104Z1	1	332161040R1
PCB4	C885	C-CERA C	CK725F1E-104Z1	1	332161040R1
PCB4	C886	VR C	CE04W16V-100M(VR)	1	394641017
PCB4	C891	C-CERA C	CK725B1H-102K1	1	332101025R1
PCB4	C892	C-CERA C	CK725B1H-102K1	1	332101025R1
PCB4	C893	C-CERA C	CK725B1H-102K1	1	332101025R1
PCB4	C894	C-CERA C	CK725B1H-102K1	1	332101025R1
PCB4	C895	TF C	ECQ-V50V-124J	1	374721244
PCB4	R101	C-CARBON R	RN72K1J-047JE	1	435030474R1
PCB4	R121	C-CARBON R	RN72K1J-101JE	1	435031014R1
PCB4	R122	C-CARBON R	RN72K1J-103JE	1	435031034R1
PCB4	R123	C-CARBON R	RN72K1J-103JE	1	435031034R1
PCB4	R124	C-CARBON R	RN72K1J-332JE	1	435033324R1
PCB4	R126	C-CARBON R	RN72K1J-104JE	1	435031044R1
PCB4	R127	C-CARBON R	RN72K1J-033JE	1	435030334R1
PCB4	R128	C-CARBON R	RN72K1J-102JE	1	435031024R1
PCB4	R131	C-CARBON R	RN72K1J-750JE	1	435037504R1
PCB4	R132	C-CARBON R	RN72K1J-221JE	1	435032214R1
PCB4	R133	C-CARBON R	RN72K1J-224JE	1	435032244R1
PCB4	R134	C-CARBON R	RN72K1J-103JE	1	435031034R1
PCB4	R135	C-CARBON R	RN72K1J-750JE	1	435037504R1
PCB4	R136	C-CARBON R	RN72K1J-221JE	1	435032214R1
PCB4	R137	C-CARBON R	RN72K1J-224JE	1	435032244R1

PCB4	R138	C-CARBON R	RN72K1J-103JE	1	435031034R1
PCB4	R139	C-CARBON R	RN72K1J-224JE	1	435032244R1
PCB4	R140	C-CARBON R	RN72K1J-103JE	1	435031034R1
PCB4	R141	C-CARBON R	RN72K1J-221JE	1	435032214R1
PCB4	R142	C-CARBON R	RN72K1J-221JE	1	435032214R1
PCB4	R143	C-CARBON R	RN72K1J-221JE	1	435032214R1
PCB4	R144	C-CARBON R	RN72K1J-221JE	1	435032214R1
PCB4	R161	C-CARBON R	RN72K1J-221JE	1	435032214R1
PCB4	R162	C-CARBON R	RN72K1J-221JE	1	435032214R1
PCB4	R163	C-CARBON R	RN72K1J-221JE	1	435032214R1
PCB4	R164	C-CARBON R	RN72K1J-221JE	1	435032214R1
PCB4	R165	C-CARBON R	RN72K1J-221JE	1	435032214R1
PCB4	R166	C-CARBON R	RN72K1J-332JE	1	435033324R1
PCB4	R171	C-CARBON R	RN72K1J-105JE	1	435031054R1
PCB4	R201	C-CARBON R	RN72K1J-332JE	1	435033324R1
PCB4	R202	C-CARBON R	RN72K1J-332JE	1	435033324R1
PCB4	R203	C-CARBON R	RN72K1J-332JE	1	435033324R1
PCB4	R205	C-CARBON R	RN72K1J-103JE	1	435031034R1
PCB4	R208	C-CARBON R	RN72K1J-103JE	1	435031034R1
PCB4	R209	C-CARBON R	RN72K1J-103JE	1	435031034R1
PCB4	R210	C-CARBON R	RN72K1J-332JE	1	435033324R1
PCB4	R211	C-CARBON R	RN72K1J-332JE	1	435033324R1
PCB4	R212	C-CARBON R	RN72K1J-103JE	1	435031034R1
PCB4	R215	C-CARBON R	RN72K1J-332JE	1	435033324R1
PCB4	R216	C-CARBON R	RN72K1J-103JE	1	435031034R1
PCB4	R217	C-CARBON R	RN72K1J-103JE	1	435031034R1
PCB4	R218	C-CARBON R	RN72K1J-103JE	1	435031034R1
PCB4	R219	C-CARBON R	RN72K1J-103JE	1	435031034R1
PCB4	R220	C-CARBON R	RN72K1J-103JE	1	435031034R1
PCB4	R221	C-CARBON R	RN72K1J-103JE	1	435031034R1
PCB4	R222	C-CARBON R	RN72K1J-103JE	1	435031034R1
PCB4	R223	C-CARBON R	RN72K1J-103JE	1	435031034R1
PCB4	R224	C-CARBON R	RN72K1J-103JE	1	435031034R1
PCB4	R225	C-CARBON R	RN72K1J-103JE	1	435031034R1
PCB4	R226	C-CARBON R	RN72K1J-470JE	1	435034704R1
PCB4	R234	C-CARBON R	RN72K1J-103JE	1	435031034R1
PCB4	R235	C-CARBON R	RN72K1J-103JE	1	435031034R1
PCB4	R236	C-CARBON R	RN72K1J-103JE	1	435031034R1
PCB4	R238	C-CARBON R	RN72K1J-470JE	1	435034704R1
PCB4	R239	C-CARBON R	RN72K1J-103JE	1	435031034R1
PCB4	R240	C-CARBON R	RN72K1J-103JE	1	435031034R1
PCB4	R242	C-CARBON R	RN72K1J-103JE	1	435031034R1
PCB4	R249	C-CARBON R	RN72K1J-103JE	1	435031034R1
PCB4	R250	C-CARBON R	RN72K1J-103JE	1	435031034R1
PCB4	R251	C-CARBON R	RN72K1J-103JE	1	435031034R1
PCB4	R255	C-CARBON R	RN72K1J-103JE	1	435031034R1
PCB4	R256	C-CARBON R	RN72K1J-103JE	1	435031034R1
PCB4	R257	C-CARBON R	RN72K1J-331JE	1	435033314R1
PCB4	R258	C-CARBON R	RN72K1J-272JE	1	435032724R1
PCB4	R259	C-CARBON R	RN72K1J-470JE	1	435034704R1
PCB4	R260	C-CARBON R	RN72K1J-103JE	1	435031034R1
PCB4	R261	C-CARBON R	RN72K1J-103JE	1	435031034R1
PCB4	R266	C-CARBON R	RN72K1J-103JE	1	435031034R1

PCB4	R269	C-CARBON R	RN72K1J-332JE	1	435033324R1
PCB4	R270	C-CARBON R	RN72K1J-221JE	1	435032214R1
PCB4	R291	METAL O R	RS2WBJ-8.2	1	441720824F
PCB4	R292	METAL O R	RS2WBJ-8.2	1	441720824F
PCB4	R293	C-CARBON R	RN72K1J-330JE	1	435033304R1
PCB4	R301	C-CARBON R	RN72K1J-470JE	1	435034704R1
PCB4	R302	C-CARBON R	RN72K1J-470JE	1	435034704R1
PCB4	R303	C-CARBON R	RN72K1J-470JE	1	435034704R1
PCB4	R304	C-CARBON R	RN72K1J-221JE	1	435032214R1
PCB4	R305	C-CARBON R	RN72K1J-221JE	1	435032214R1
PCB4	R306	C-CARBON R	RN72K1J-221JE	1	435032214R1
PCB4	R307	C-CARBON R	RN72K1J-221JE	1	435032214R1
PCB4	R308	C-CARBON R	RN72K1J-221JE	1	435032214R1
PCB4	R309	C-CARBON R	RN72K1J-221JE	1	435032214R1
PCB4	R311	C-CARBON R	RN72K1J-272JE	1	435032724R1
PCB4	R312	C-CARBON R	RN72K1J-470JE	1	435034704R1
PCB4	R313	C-CARBON R	RN72K1J-470JE	1	435034704R1
PCB4	R314	C-CARBON R	RN72K1J-470JE	1	435034704R1
PCB4	R315	C-CARBON R	RN72K1J-470JE	1	435034704R1
PCB4	R316	C-CARBON R	RN72K1J-470JE	1	435034704R1
PCB4	R317	C-CARBON R	RN72K1J-470JE	1	435034704R1
PCB4	R318	C-CARBON R	RN72K1J-470JE	1	435034704R1
PCB4	R319	C-CARBON R	RN72K1J-470JE	1	435034704R1
PCB4	R321	C-CARBON R	RN72K1J-560JE	1	435035604R1
PCB4	R322	C-CARBON R	RN72K1J-560JE	1	435035604R1
PCB4	R323	C-CARBON R	RN72K1J-560JE	1	435035604R1
PCB4	R324	C-CARBON R	RN72K1J-560JE	1	435035604R1
PCB4	R325	C-CARBON R	RN72K1J-392JE	1	435033924R1
PCB4	R326	C-CARBON R	RN72K1J-392JE	1	435033924R1
PCB4	R331	C-CARBON R	RN72K1J-331JE	1	435033314R1
PCB4	R332	C-CARBON R	RN72K1J-331JE	1	435033314R1
PCB4	R333	C-CARBON R	RN72K1J-331JE	1	435033314R1
PCB4	R334	C-CARBON R	RN72K1J-331JE	1	435033314R1
PCB4	R335	C-CARBON R	RN72K1J-331JE	1	435033314R1
PCB4	R336	C-CARBON R	RN72K1J-331JE	1	435033314R1
PCB4	R337	C-CARBON R	RN72K1J-331JE	1	435033314R1
PCB4	R401	C-CARBON R	RN72K1J-332JE	1	435033324R1
PCB4	R402	C-CARBON R	RN72K1J-332JE	1	435033324R1
PCB4	R403	C-CARBON R	RN72K1J-332JE	1	435033324R1
PCB4	R404	C-CARBON R	RN72K1J-332JE	1	435033324R1
PCB4	R405	C-CARBON R	RN72K1J-332JE	1	435033324R1
PCB4	R406	C-CARBON R	RN72K1J-332JE	1	435033324R1
PCB4	R407	C-CARBON R	RN72K1J-332JE	1	435033324R1
PCB4	R408	C-CARBON R	RN72K1J-332JE	1	435033324R1
PCB4	R411	C-CARBON R	RN72K1J-332JE	1	435033324R1
PCB4	R412	C-CARBON R	RN72K1J-332JE	1	435033324R1
PCB4	R413	C-CARBON R	RN72K1J-332JE	1	435033324R1
PCB4	R414	C-CARBON R	RN72K1J-332JE	1	435033324R1
PCB4	R415	C-CARBON R	RN72K1J-332JE	1	435033324R1
PCB4	R416	C-CARBON R	RN72K1J-332JE	1	435033324R1
PCB4	R417	C-CARBON R	RN72K1J-332JE	1	435033324R1
PCB4	R418	C-CARBON R	RN72K1J-332JE	1	435033324R1
PCB4	R421	C-CARBON R	RN72K1J-681JE	1	435036814R1

PCB4	R531	C-CARBON R	RN72K1J-223JE	1	435032234R1
PCB4	R532	C-CARBON R	RN72K1J-223JE	1	435032234R1
PCB4	R541	C-CARBON R	RN72K1J-223JE	1	435032234R1
PCB4	R542	C-CARBON R	RN72K1J-223JE	1	435032234R1
PCB4	R551	C-CARBON R	RN72K1J-223JE	1	435032234R1
PCB4	R552	C-CARBON R	RN72K1J-223JE	1	435032234R1
PCB4	R561	C-CARBON R	RN72K1J-223JE	1	435032234R1
PCB4	R562	C-CARBON R	RN72K1J-223JE	1	435032234R1
PCB4	R571	C-CARBON R	RN72K1J-152JE	1	435031524R1
PCB4	R572	C-CARBON R	RN72K1J-152JE	1	435031524R1
PCB4	R581	C-CARBON R	RN72K1J-152JE	1	435031524R1
PCB4	R582	C-CARBON R	RN72K1J-152JE	1	435031524R1
PCB4	R593	C-CARBON R	RN72K1J-000JE	1	435030004R1
PCB4	R594	C-CARBON R	RN72K1J-000JE	1	435030004R1
PCB4	R595	C-CARBON R	RN72K1J-000JE	1	435030004R1
PCB4	R596	C-CARBON R	RN72K1J-000JE	1	435030004R1
PCB4	R597	C-CARBON R	RN72K1J-000JE	1	435030004R1
PCB4	R598	C-CARBON R	RN72K1J-000JE	1	435030004R1
PCB4	R601	C-CARBON R	RN72K1J-102JE	1	435031024R1
PCB4	R602	C-CARBON R	RN72K1J-103JE	1	435031034R1
PCB4	R603	C-CARBON R	RN72K1J-105JE	1	435031054R1
PCB4	R604	C-CARBON R	RN72K1J-473JE	1	435034734R1
PCB4	R605	C-CARBON R	RN72K1J-221JE	1	435032214R1
PCB4	R606	C-CARBON R	RN72K1J-221JE	1	435032214R1
PCB4	R607	C-CARBON R	RN72K1J-221JE	1	435032214R1
PCB4	R608	C-CARBON R	RN72K1J-221JE	1	435032214R1
PCB4	R609	C-CARBON R	RN72K1J-221JE	1	435032214R1
PCB4	R610	C-CARBON R	RN72K1J-221JE	1	435032214R1
PCB4	R611	C-CARBON R	RN72K1J-221JE	1	435032214R1
PCB4	R612	C-CARBON R	RN72K1J-221JE	1	435032214R1
PCB4	R613	C-CARBON R	RN72K1J-221JE	1	435032214R1
PCB4	R614	C-CARBON R	RN72K1J-103JE	1	435031034R1
PCB4	R615	C-CARBON R	RN72K1J-103JE	1	435031034R1
PCB4	R616	C-CARBON R	RN72K1J-103JE	1	435031034R1
PCB4	R617	C-CARBON R	RN72K1J-103JE	1	435031034R1
PCB4	R618	C-CARBON R	RN72K1J-221JE	1	435032214R1
PCB4	R619	C-CARBON R	RN72K1J-221JE	1	435032214R1
PCB4	R620	C-CARBON R	RN72K1J-103JE	1	435031034R1
PCB4	R621	C-CARBON R	RN72K1J-221JE	1	435032214R1
PCB4	R622	C-CARBON R	RN72K1J-221JE	1	435032214R1
PCB4	R623	C-CARBON R	RN72K1J-103JE	1	435031034R1
PCB4	R624	C-CARBON R	RN72K1J-103JE	1	435031034R1
PCB4	R625	C-CARBON R	RN72K1J-103JE	1	435031034R1
PCB4	R626	C-CARBON R	RN72K1J-103JE	1	435031034R1
PCB4	R627	C-CARBON R	RN72K1J-221JE	1	435032214R1
PCB4	R628	C-CARBON R	RN72K1J-221JE	1	435032214R1
PCB4	R629	C-CARBON R	RN72K1J-100JE	1	435031004R1
PCB4	R630	C-CARBON R	RN72K1J-102JE	1	435031024R1
PCB4	R631	C-CARBON R	RN72K1J-100JE	1	435031004R1
PCB4	R632	C-CARBON R	RN72K1J-102JE	1	435031024R1
PCB4	R633	C-CARBON R	RN72K1J-221JE	1	435032214R1
PCB4	R634	C-CARBON R	RN72K1J-103JE	1	435031034R1
PCB4	R635	C-CARBON R	RN72K1J-221JE	1	435032214R1

PCB4	R636	C-CARBON R	RN72K1J-103JE	1	435031034R1
PCB4	R637	C-CARBON R	RN72K1J-221JE	1	435032214R1
PCB4	R638	C-CARBON R	RN72K1J-221JE	1	435032214R1
PCB4	R639	C-CARBON R	RN72K1J-000JE	1	435030004R1
PCB4	R640	C-CARBON R	RN72K1J-222JE	1	435032224R1
PCB4	R641	C-CARBON R	RN72K1J-000JE	1	435030004R1
PCB4	R642	C-CARBON R	RN72K1J-222JE	1	435032224R1
PCB4	R643	C-CARBON R	RN72K1J-102JE	1	435031024R1
PCB4	R645	C-CARBON R	RN72K1J-273JE	1	435032734R1
PCB4	R646	C-CARBON R	RN72K1J-273JE	1	435032734R1
PCB4	R647	C-CARBON R	RN72K1J-102JE	1	435031024R1
PCB4	R649	C-CARBON R	RN72K1J-103JE	1	435031034R1
PCB4	R650	C-CARBON R	RN72K1J-103JE	1	435031034R1
PCB4	R651	C-CARBON R	RN72K1J-103JE	1	435031034R1
PCB4	R652	C-CARBON R	RN72K1J-103JE	1	435031034R1
PCB4	R653	C-CARBON R	RN72K1J-103JE	1	435031034R1
PCB4	R654	C-CARBON R	RN72K1J-103JE	1	435031034R1
PCB4	R655	C-CARBON R	RN72K1J-222JE	1	435032224R1
PCB4	R656	C-CARBON R	RN72K1J-103JE	1	435031034R1
PCB4	R657	C-CARBON R	RN72K1J-222JE	1	435032224R1
PCB4	R658	C-CARBON R	RN72K1J-103JE	1	435031034R1
PCB4	R659	C-CARBON R	RN72K1J-222JE	1	435032224R1
PCB4	R661	C-CARBON R	RN72K1J-221JE	1	435032214R1
PCB4	R662	C-CARBON R	RN72K1J-103JE	1	435031034R1
PCB4	R663	C-CARBON R	RN72K1J-223JE	1	435032234R1
PCB4	R664	C-CARBON R	RN72K1J-223JE	1	435032234R1
PCB4	R665	C-CARBON R	RN72K1J-102JE	1	435031024R1
PCB4	R666	C-CARBON R	RN72K1J-102JE	1	435031024R1
PCB4	R667	C-CARBON R	RN72K1J-102JE	1	435031024R1
PCB4	R668	C-CARBON R	RN72K1J-102JE	1	435031024R1
PCB4	R670	C-CARBON R	RN72K1J-102JE	1	435031024R1
PCB4	R671	C-CARBON R	RN72K1J-473JE	1	435034734R1
PCB4	R672	C-CARBON R	RN72K1J-102JE	1	435031024R1
PCB4	R673	C-CARBON R	RN72K1J-224JE	1	435032244R1
PCB4	R675	C-CARBON R	RN72K1J-331JE	1	435033314R1
PCB4	R677	C-CARBON R	RN72K1J-102JE	1	435031024R1
PCB4	R678	C-CARBON R	RN72K1J-103JE	1	435031034R1
PCB4	R679	C-CARBON R	RN72K1J-102JE	1	435031024R1
PCB4	R681	C-CARBON R	RN72K1J-103JE	1	435031034R1
PCB4	R682	C-CARBON R	RN72K1J-102JE	1	435031024R1
PCB4	R683	C-CARBON R	RN72K1J-102JE	1	435031024R1
PCB4	R684	C-CARBON R	RN72K1J-103JE	1	435031034R1
PCB4	R686	C-CARBON R	RN72K1J-333JE	1	435033334R1
PCB4	R687	C-CARBON R	RN72K1J-103JE	1	435031034R1
PCB4	R688	C-CARBON R	RN72K1J-563JE	1	435035634R1
PCB4	R689	C-CARBON R	RN72K1J-333JE	1	435033334R1
PCB4	R691	C-CARBON R	RN72K1J-000JE	1	435030004R1
PCB4	R692	C-CARBON R	RN72K1J-221JE	1	435032214R1
PCB4	R693	C-CARBON R	RN72K1J-221JE	1	435032214R1
PCB4	R694	C-CARBON R	RN72K1J-221JE	1	435032214R1
PCB4	R695	C-CARBON R	RN72K1J-221JE	1	435032214R1
PCB4	R696	C-CARBON R	RN72K1J-472JE	1	435034724R1
PCB4	R697	C-CARBON R	RN72K1J-472JE	1	435034724R1

PCB4	R698	C-CARBON R	RN72K1J-472JE	1	435034724R1
PCB4	R699	C-CARBON R	RN72K1J-472JE	1	435034724R1
PCB4	R700	C-CARBON R	RN72K1J-472JE	1	435034724R1
PCB4	R701	C-CARBON R	RN72K1J-472JE	1	435034724R1
PCB4	R702	C-CARBON R	RN72K1J-472JE	1	435034724R1
PCB4	R703	C-CARBON R	RN72K1J-472JE	1	435034724R1
PCB4	R704	C-CARBON R	RN72K1J-272JE	1	435032724R1
PCB4	R705	C-CARBON R	RN72K1J-272JE	1	435032724R1
PCB4	R706	C-CARBON R	RN72K1J-272JE	1	435032724R1
PCB4	R707	C-CARBON R	RN72K1J-272JE	1	435032724R1
PCB4	R714	C-CARBON R	RN72K1J-000JE	1	435030004R1
PCB4	R715	C-CARBON R	RN72K1J-000JE	1	435030004R1
PCB4	R801	C-CARBON R	RN72K1J-273JE	1	435032734R1
PCB4	R802	C-CARBON R	RN72K1J-332JE	1	435033324R1
PCB4	R803	C-CARBON R	RN72K1J-332JE	1	435033324R1
PCB4	R804	C-CARBON R	RN72K1J-221JE	1	435032214R1
PCB4	R805	C-CARBON R	RN72K1J-221JE	1	435032214R1
PCB4	R806	C-CARBON R	RN72K1J-221JE	1	435032214R1
PCB4	R807	C-CARBON R	RN72K1J-221JE	1	435032214R1
PCB4	R808	C-CARBON R	RN72K1J-104JE	1	435031044R1
PCB4	R810	C-CARBON R	RN72K1J-101JE	1	435031014R1
PCB4	R811	C-CARBON R	RN72K1J-103JE	1	435031034R1
PCB4	R812	C-CARBON R	RN72K1J-103JE	1	435031034R1
PCB4	R813	C-CARBON R	RN72K1J-103JE	1	435031034R1
PCB4	R814	C-CARBON R	RN72K1J-103JE	1	435031034R1
PCB4	R821	C-CARBON R	RN72K1J-222JE	1	435032224R1
PCB4	R822	C-CARBON R	RN72K1J-181JE	1	435031814R1
PCB4	R823	C-CARBON R	RN72K1J-560JE	1	435035604R1
PCB4	R824	C-CARBON R	RN72K1J-560JE	1	435035604R1
PCB4	R827	C-CARBON R	RN72K1J-101JE	1	435031014R1
PCB4	R828	C-CARBON R	RN72K1J-102JE	1	435031024R1
PCB4	R831	C-CARBON R	RN72K1J-331JE	1	435033314R1
PCB4	R832	C-CARBON R	RN72K1J-471JE	1	435034714R1
PCB4	R833	C-CARBON R	RN72K1J-561JE	1	435035614R1
PCB4	R834	C-CARBON R	RN72K1J-821JE	1	435038214R1
PCB4	R835	C-CARBON R	RN72K1J-122JE	1	435031224R1
PCB4	R836	C-CARBON R	RN72K1J-222JE	1	435032224R1
PCB4	R841	C-CARBON R	RN72K1J-331JE	1	435033314R1
PCB4	R842	C-CARBON R	RN72K1J-471JE	1	435034714R1
PCB4	R843	C-CARBON R	RN72K1J-561JE	1	435035614R1
PCB4	R844	C-CARBON R	RN72K1J-821JE	1	435038214R1
PCB4	R845	C-CARBON R	RN72K1J-122JE	1	435031224R1
PCB4	R846	C-CARBON R	RN72K1J-222JE	1	435032224R1
PCB4	R847	C-CARBON R	RN72K1J-392JE	1	435033924R1
PCB4	R851	C-CARBON R	RN72K1J-331JE	1	435033314R1
PCB4	R852	C-CARBON R	RN72K1J-471JE	1	435034714R1
PCB4	R853	C-CARBON R	RN72K1J-561JE	1	435035614R1
PCB4	R854	C-CARBON R	RN72K1J-821JE	1	435038214R1
PCB4	R855	C-CARBON R	RN72K1J-122JE	1	435031224R1
PCB4	R856	C-CARBON R	RN72K1J-222JE	1	435032224R1
PCB4	R857	C-CARBON R	RN72K1J-392JE	1	435033924R1
PCB4	R858	C-CARBON R	RN72K1J-123JE	1	435031234R1
PCB4	R861	C-CARBON R	RN72K1J-331JE	1	435033314R1

PCB4	R862	C-CARBON R	RN72K1J-471JE	1	435034714R1
PCB4	R863	C-CARBON R	RN72K1J-561JE	1	435035614R1
PCB4	R864	C-CARBON R	RN72K1J-821JE	1	435038214R1
PCB4	R865	C-CARBON R	RN72K1J-122JE	1	435031224R1
PCB4	R866	C-CARBON R	RN72K1J-222JE	1	435032224R1
PCB4	R867	C-CARBON R	RN72K1J-392JE	1	435033924R1
PCB4	R868	C-CARBON R	RN72K1J-123JE	1	435031234R1
PCB4	R869	C-CARBON R	RN72K1J-330JE	1	435033304R1
PCB4	R870	C-CARBON R	RN72K1J-330JE	1	435033304R1
PCB4	R871	C-CARBON R	RN72K1J-101JE	1	435031014R1
PCB4	R872	C-CARBON R	RN72K1J-473JE	1	435034734R1
PCB4	R873	C-CARBON R	RN72K1J-472JE	1	435034724R1
PCB4	R874	C-CARBON R	RN72K1J-221JE	1	435032214R1
PCB4	R875	C-CARBON R	RN72K1J-473JE	1	435034734R1
PCB4	R876	C-CARBON R	RN72K1J-102JE	1	435031024R1
PCB4	R877	C-CARBON R	RN72K1J-331JE	1	435033314R1
PCB4	R878	C-CARBON R	RN72K1J-333JE	1	435033334R1
PCB4	R879	C-CARBON R	RN72K1J-221JE	1	435032214R1
PCB4	R880	C-CARBON R	RN72K1J-221JE	1	435032214R1
PCB4	R881	C-CARBON R	RN72K1J-224JE	1	435032244R1
PCB4	R883	C-CARBON R	RN72K1J-331JE	1	435033314R1
PCB4	R884	C-CARBON R	RN72K1J-331JE	1	435033314R1
PCB4	R885	C-CARBON R	RN72K1J-750JE	1	435037504R1
PCB4	R886	C-CARBON R	RN72K1J-750JE	1	435037504R1
PCB4	R887	C-CARBON R	RN72K1J-750JE	1	435037504R1
PCB4	R889	C-CARBON R	RN72K1J-221JE	1	435032214R1
PCB4	S801	PUSH SW	NPS-111-S681	1	25035718
PCB4	S801 or	PUSH SW	NPS-111-S677	(1)	25035714
PCB4	S803	PUSH SW	NPS-111-S681	1	25035718
PCB4	S803 or	PUSH SW	NPS-111-S677	(1)	25035714
PCB4	S804	PUSH SW	NPS-111-S681	1	25035718
PCB4	S804 or	PUSH SW	NPS-111-S677	(1)	25035714
PCB4	S805	PUSH SW	NPS-111-S681	1	25035718
PCB4	S805 or	PUSH SW	NPS-111-S677	(1)	25035714
PCB4	S806	PUSH SW	NPS-111-S681	1	25035718
PCB4	S806 or	PUSH SW	NPS-111-S677	(1)	25035714
PCB4	S807	PUSH SW	NPS-111-S681	1	25035718
PCB4	S807 or	PUSH SW	NPS-111-S677	(1)	25035714
PCB4	S811	PUSH SW	NPS-111-S681	1	25035718
PCB4	S811 or	PUSH SW	NPS-111-S677	(1)	25035714
PCB4	S812	PUSH SW	NPS-111-S681	1	25035718
PCB4	S812 or	PUSH SW	NPS-111-S677	(1)	25035714
PCB4	S813	PUSH SW	NPS-111-S681	1	25035718
PCB4	S813 or	PUSH SW	NPS-111-S677	(1)	25035714
PCB4	S814	PUSH SW	NPS-111-S681	1	25035718
PCB4	S814 or	PUSH SW	NPS-111-S677	(1)	25035714
PCB4	S815	PUSH SW	NPS-111-S681	1	25035718
PCB4	S815 or	PUSH SW	NPS-111-S677	(1)	25035714
PCB4	S816	PUSH SW	NPS-111-S681	1	25035718
PCB4	S816 or	PUSH SW	NPS-111-S677	(1)	25035714
PCB4	S817	PUSH SW	NPS-111-S681	1	25035718
PCB4	S817 or	PUSH SW	NPS-111-S677	(1)	25035714
PCB4	S818	PUSH SW	NPS-111-S681	1	25035718

PCB4	S818 or	PUSH SW	NPS-111-S677	(1)	25035714
PCB4	S821	PUSH SW	NPS-111-S681	1	25035718
PCB4	S821 or	PUSH SW	NPS-111-S677	(1)	25035714
PCB4	S822	PUSH SW	NPS-111-S681	1	25035718
PCB4	S822 or	PUSH SW	NPS-111-S677	(1)	25035714
PCB4	S823	PUSH SW	NPS-111-S681	1	25035718
PCB4	S823 or	PUSH SW	NPS-111-S677	(1)	25035714
PCB4	S824	PUSH SW	NPS-111-S681	1	25035718
PCB4	S824 or	PUSH SW	NPS-111-S677	(1)	25035714
PCB4	S825	PUSH SW	NPS-111-S681	1	25035718
PCB4	S825 or	PUSH SW	NPS-111-S677	(1)	25035714
PCB4	S826	PUSH SW	NPS-111-S681	1	25035718
PCB4	S826 or	PUSH SW	NPS-111-S677	(1)	25035714
PCB4	S827	PUSH SW	NPS-111-S681	1	25035718
PCB4	S827 or	PUSH SW	NPS-111-S677	(1)	25035714
PCB4	S828	PUSH SW	NPS-111-S681	1	25035718
PCB4	S828 or	PUSH SW	NPS-111-S677	(1)	25035714
PCB4	S829	PUSH SW	NPS-111-S681	1	25035718
PCB4	S829 or	PUSH SW	NPS-111-S677	(1)	25035714
PCB4	S831	PUSH SW	NPS-111-S681	1	25035718
PCB4	S831 or	PUSH SW	NPS-111-S677	(1)	25035714
PCB4	S832	PUSH SW	NPS-111-S681	1	25035718
PCB4	S832 or	PUSH SW	NPS-111-S677	(1)	25035714
PCB4	S833	PUSH SW	NPS-111-S681	1	25035718
PCB4	S833 or	PUSH SW	NPS-111-S677	(1)	25035714
PCB4	S834	PUSH SW	NPS-111-S681	1	25035718
PCB4	S834 or	PUSH SW	NPS-111-S677	(1)	25035714
PCB4	S835	PUSH SW	NPS-111-S681	1	25035718
PCB4	S835 or	PUSH SW	NPS-111-S677	(1)	25035714
PCB4	S836	PUSH SW	NPS-111-S681	1	25035718
PCB4	S836 or	PUSH SW	NPS-111-S677	(1)	25035714
PCB4	S837	PUSH SW	NPS-111-S681	1	25035718
PCB4	S837 or	PUSH SW	NPS-111-S677	(1)	25035714
PCB4	S838	PUSH SW	NPS-111-S681	1	25035718
PCB4	S838 or	PUSH SW	NPS-111-S677	(1)	25035714
PCB4	S839	PUSH SW	NPS-111-S681	1	25035718
PCB4	S839 or	PUSH SW	NPS-111-S677	(1)	25035714
PCB4	S851	R ENCODE	EC12E2425	1	25065655
PCB4	P101A	SOCKET	NSCT-13P2106	1	25052209
PCB4	P121	ST JACK	HSJ1002-01-1020	1	25045647
PCB4	P131	PIN JACK	NPJ-2PDO445	1	25045640
PCB4	P131 or	PIN JACK	NPJ-2PDO0626	(1)	25045847
PCB4	P291A	SOCKET AS	NSAS-4P1542	1	200C4190415UL
PCB4	P301A	SOCKET	NSCT-10P2190	1	25052293
PCB4	P302A	SOCKET	NSCT-20P2200	1	25052303
PCB4	P303A	SOCKET	NSCT-20P2200	1	25052303
PCB4	P311A	SOCKET AS	NSAS-20P1043	1	2002A392025UL
PCB4	P312	HOLDER	HOLDER(CLAMP)	1	27190540-1
PCB4	P701A	SOCKET	NSCT-40P2274	1	25052377
PCB4	P701B	SOCKET	NSCT-40P2274	1	25052377
PCB4	P721	ST JACK	LG2502-0200FC	1	25045696
PCB4	P871	JACK	LGT1516-0101	1	25045396
PCB4	P872	PIN JACK	NPJ-7PDB477	1	25045680

PCB4	P891	ST JACK	MSJ-064-05A SR	1	25045783	
PCB4	P891 or	ST JACK	YKB21-5005	(1)	25045724	
PCB4	P2004	PLUG	NPLG-13P0968	1	25056018	
PCB4	P2005	PLUG	NPLG-13P0968	1	25056018	
PCB4	E301	TRM	NTM-1P233(M1969)	1	25060302	
PCB4	E883	RETAINER	(A)	1	27141973	
PCB4	E892	RETAINER	MET37-0002	1	27142009	
PCB4	JL101A	WIRE HOL	NSCT-7P878	1	25051091	
PCB4	JL291B	WIRE TRAP	NPLG-3P586	1	25055624	
PCB4	JL831A	WIRE HOL	NSCT-7P898	1	25051111	
PCB4	JL831B	WIRE HOL	NSCT-7P898	1	25051111	
PCB4	JL833A	WIRE HOL	NSCT-3P894	1	25051107	
PCB4	JL833B	WIRE HOL	NSCT-3P894	1	25051107	
PCB4	JL891A	WIRE HOL	NSCT-5P896	1	25051109	

U21 XM DIGITAL TRANSCEIVER PC BOARD (NARF-8688-2B)

	CIRCUIT NO.	NAME	DESCRIPTION	Q'TY	PART NO	REMARKS
PCB5	Q7001	IC	M30281FAHP	1	W0041R301681D100	
PCB5	Q7002	IC	TC74VHC541FT(EKJ)	1	22274541E1R2TO	
PCB5	Q7002 or	IC	SN74AHC541PWR	(1)	22274541IR2TI	
PCB5	Q7002 or	IC	TC74VHC541FT	(1)	22274541ER2TO	
PCB5	Q7003	IC	TC74HCT7007AF	1	222740077R2TO	
PCB5	Q7004	IC	TA48033AF(TE16L, NQ)	1	22278033DR2	
PCB5	Q7004 or	IC	BA33BC0FP	(1)	22278033DR2RH	
PCB5	Q7004 or	IC	NJM2391DL1-33	(1)	22278033DR2JR	
PCB5	Q7101	IC	F2602-01	1	22242266R2	
PCB5	Q7102	IC	AK4384ET	1	22242280R2	
PCB5	Q7103	IC	NE5532APSR	1	22242283R2	
PCB5	Q7104	IC	MAX1930ESA	1	22242279R2	
PCB5	Q7104 or	IC	TPS2011ADR	(1)	22242273R2	
PCB5	Q7105	IC	78L05(NJM78L05UA)	1	222780053R2JR	
PCB5	D7001	ZENER D	UDZS5.1B	1	224550510R2	
PCB5	D7001 or	ZENER D	HZU5.1B	(1)	224660514R2	
PCB5	X7001	CERA LOCK	CSTCW2000MX01	1	3010342R2	
PCB5	X7101	CRYSTAL	DSX840GA 45.1584MHz	1	3010420R2	
PCB5	L7001	CHOKE COIL	NCH-1471	1	231237K022R2	
PCB5	L7001 or	CHOKE COIL	NCH-1587-022K	(1)	233533K022R2	
PCB5	L7101	CHOKE COIL	BLM21PG221SN1	1	230949R2	
PCB5	L7102	CHOKE COIL	BLM21PG221SN1	1	230949R2	
PCB5	L7103	EMIFIL	BK1608LM182-T	1	230958R1	
PCB5	L7104	CHOKE COIL	NCH-1471	1	231237K022R2	
PCB5	L7104 or	CHOKE COIL	NCH-1587-022K	(1)	233533K022R2	
PCB5	L7105	CHOKE COIL	NCH-1471	1	231237K022R2	
PCB5	L7105 or	CHOKE COIL	NCH-1587-022K	(1)	233533K022R2	
PCB5	C7001	C-CERA C	CK725F1E-104Z1	1	332161040R1	
PCB5	C7002	C-CERA C	CK725F1E-104Z1	1	332161040R1	
PCB5	C7003	VR C	CE04W16V-100M(VR)	1	394641017	
PCB5	C7004	C-CERA C	CK725F1E-104Z1	1	332161040R1	
PCB5	C7005	C-CERA C	CK725F1E-104Z1	1	332161040R1	
PCB5	C7006	C-CERA C	CK725F1E-104Z1	1	332161040R1	
PCB5	C7007	VR C	CE04W6.3V-470M(VR)	1	394624717	
PCB5	C7101	C-CERA C	CK725F1E-104Z1	1	332161040R1	

PCB5	C7102	C-CERA C	CK725B1H-102K1	1	332101025R1
PCB5	C7103	C-CERA C	CK725F1E-104Z1	1	332161040R1
PCB5	C7104	C-CERA C	CK725F1E-104Z1	1	332161040R1
PCB5	C7105	C-CERA C	CK725F1E-104Z1	1	332161040R1
PCB5	C7106	C-CERA C	CK725F1E-104Z1	1	332161040R1
PCB5	C7111	VR C	CE04W16V-100M(VR)	1	394641017
PCB5	C7112	C-CERA C	CC725CH1H-040C1	1	342100401R1
PCB5	C7113	C-CERA C	CC725CH1H-080D1	1	342100802R1
PCB5	C7114	C-CERA C	CK725F1E-104Z1	1	332161040R1
PCB5	C7115	C-CERA C	CK725F1E-104Z1	1	332161040R1
PCB5	C7116	C-CERA C	CK725F1E-104Z1	1	332161040R1
PCB5	C7118	C-CERA C	CK725F1E-104Z1	1	332161040R1
PCB5	C7119	C-CERA C	CK725B1H-102K1	1	332101025R1
PCB5	C7120	C-CERA C	CK725F1E-104Z1	1	332161040R1
PCB5	C7121	VX C	CE04W50V-10M(VX)	1	393381007
PCB5	C7122	C-CERA C	CK725F1E-104Z1	1	332161040R1
PCB5	C7123	VR C	CE04W6.3V-470M(VR)	1	394624717
PCB5	C7124	VX C	CE04W50V-10M(VX)	1	393381007
PCB5	C7125	VX C	CE04W50V-10M(VX)	1	393381007
PCB5	C7126	C-CERA C	CC725CH1H-821J1	1	342108214R1
PCB5	C7127	C-CERA C	CC725CH1H-821J1	1	342108214R1
PCB5	C7128	C-CERA C	CC725CH1H-821J1	1	342108214R1
PCB5	C7129	C-CERA C	CC725CH1H-821J1	1	342108214R1
PCB5	C7130	VX C	CE04W50V-10M(VX)	1	393381007
PCB5	C7131	VX C	CE04W50V-10M(VX)	1	393381007
PCB5	C7132	VR C	CE04W16V-100M(VR)	1	394641017
PCB5	C7133	VR C	CE04W16V-100M(VR)	1	394641017
PCB5	C7134	C-CERA C	CK725F1E-104Z1	1	332161040R1
PCB5	C7135	C-CERA C	CK725F1E-104Z1	1	332161040R1
PCB5	C7136	VR C	CE04W16V-100M(VR)	1	394641017
PCB5	C7137	C-CERA C	CK725F1E-104Z1	1	332161040R1
PCB5	R7001	C-CARBON R	RN72K1J-102JE	1	435031024R1
PCB5	R7002	C-CARBON R	RN72K1J-103JE	1	435031034R1
PCB5	R7003	C-CARBON R	RN72K1J-102JE	1	435031024R1
PCB5	R7004	C-CARBON R	RN72K1J-103JE	1	435031034R1
PCB5	R7005	C-CARBON R	RN72K1J-102JE	1	435031024R1
PCB5	R7006	C-CARBON R	RN72K1J-102JE	1	435031024R1
PCB5	R7007	C-CARBON R	RN72K1J-102JE	1	435031024R1
PCB5	R7008	C-CARBON R	RN72K1J-102JE	1	435031024R1
PCB5	R7009	C-CARBON R	RN72K1J-102JE	1	435031024R1
PCB5	R7010	C-CARBON R	RN72K1J-221JE	1	435032214R1
PCB5	R7011	C-CARBON R	RN72K1J-221JE	1	435032214R1
PCB5	R7012	C-CARBON R	RN72K1J-221JE	1	435032214R1
PCB5	R7013	C-CARBON R	RN72K1J-221JE	1	435032214R1
PCB5	R7014	C-CARBON R	RN72K1J-102JE	1	435031024R1
PCB5	R7017	C-CARBON R	RN72K1J-221JE	1	435032214R1
PCB5	R7018	C-CARBON R	RN72K1J-221JE	1	435032214R1
PCB5	R7021	C-CARBON R	RN72K1J-102JE	1	435031024R1
PCB5	R7022	C-CARBON R	RN72K1J-102JE	1	435031024R1
PCB5	R7023	C-CARBON R	RN72K1J-102JE	1	435031024R1
PCB5	R7024	C-CARBON R	RN72K1J-102JE	1	435031024R1
PCB5	R7025	C-CARBON R	RN72K1J-221JE	1	435032214R1
PCB5	R7032	C-CARBON R	RN72K1J-103JE	1	435031034R1

PCB5	R7101	C-CARBON R	RN72K1J-104JE	1	435031044R1	
PCB5	R7102	C-CARBON R	RN72K1J-104JE	1	435031044R1	
PCB5	R7103	C-CARBON R	RN72K1J-104JE	1	435031044R1	
PCB5	R7104	C-CARBON R	RN72K1J-104JE	1	435031044R1	
PCB5	R7105	C-CARBON R	RN72K1J-104JE	1	435031044R1	
PCB5	R7111	C-CARBON R	RN72K1J-102JE	1	435031024R1	
PCB5	R7112	C-CARBON R	RN72K1J-102JE	1	435031024R1	
PCB5	R7113	C-CARBON R	RN72K1J-101JE	1	435031014R1	
PCB5	R7114	C-CARBON R	RN72K1J-101JE	1	435031014R1	
PCB5	R7115	C-CARBON R	RN72K1J-681JE	1	435036814R1	
PCB5	R7116	C-CARBON R	RN72K1J-105JE	1	435031054R1	
PCB5	R7117	C-CARBON R	RN72K1J-101JE	1	435031014R1	
PCB5	R7118	C-CARBON R	RN72K1J-331JE	1	435033314R1	
PCB5	R7119	C-CARBON R	RN72K1J-331JE	1	435033314R1	
PCB5	R7120	C-CARBON R	RN72K1J-331JE	1	435033314R1	
PCB5	R7121	C-CARBON R	RN72K1J-000JE	1	435030004R1	
PCB5	R7126	C-CARBON R	RN72K1J-000JE	1	435030004R1	
PCB5	R7127	C-CARBON R	RN72K1J-000JE	1	435030004R1	
PCB5	R7128	C-CARBON R	RN72K1J-000JE	1	435030004R1	
PCB5	R7130	C-CARBON R	RN72K1J-222JE	1	435032224R1	
PCB5	R7131	C-CARBON R	RN72K1J-222JE	1	435032224R1	
PCB5	R7132	C-CARBON R	RN72K1J-222JE	1	435032224R1	
PCB5	R7133	C-CARBON R	RN72K1J-222JE	1	435032224R1	
PCB5	R7134	C-CARBON R	RN72K1J-332JE	1	435033324R1	
PCB5	R7135	C-CARBON R	RN72K1J-332JE	1	435033324R1	
PCB5	R7136	C-CARBON R	RN72K1J-222JE	1	435032224R1	
PCB5	R7137	C-CARBON R	RN72K1J-222JE	1	435032224R1	
PCB5	R7138	C-CARBON R	RN72K1J-220JE	1	435032204R1	
PCB5	R7139	C-CARBON R	RN72K1J-220JE	1	435032204R1	
PCB5	R7140	C-CARBON R	RN72K1J-220JE	1	435032204R1	
PCB5	R7141	C-CARBON R	RN72K1J-220JE	1	435032204R1	
PCB5	R7142	C-CARBON R	RN72K1J-104JE	1	435031044R1	
PCB5	R7143	C-CARBON R	RN72K1J-104JE	1	435031044R1	
PCB5	P291B	PLUG	NPLG-2P130	1	25055146	
PCB5	P7001A	SOCKET	NSCT-9P2400	1	25052503	
PCB5	P7102	SOCKET	CAM-C16	1	25053104R2	
PCB5	E7001	TRM(SCREW)	NEGITANSI M3	1	25065425	
PCB5	E7002	TRM(SCREW)	NEGITANSI M3	1	25065425	
PCB5	JL101B	WIRE TRAP	NPLG-7P590	1	25055628	
PCB5	JL5502B	WIRE TRAP	NPLG-5P588	1	25055626	

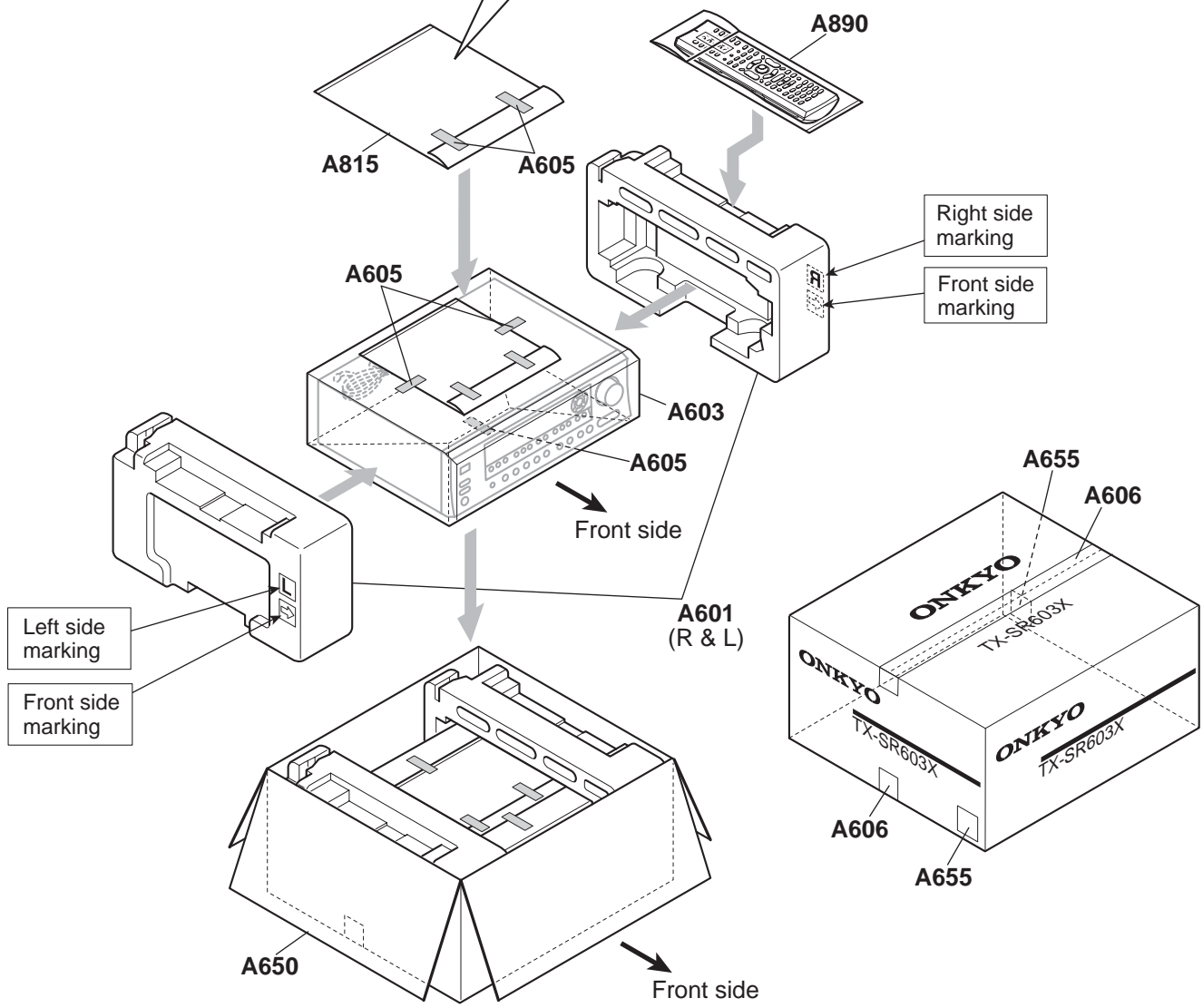
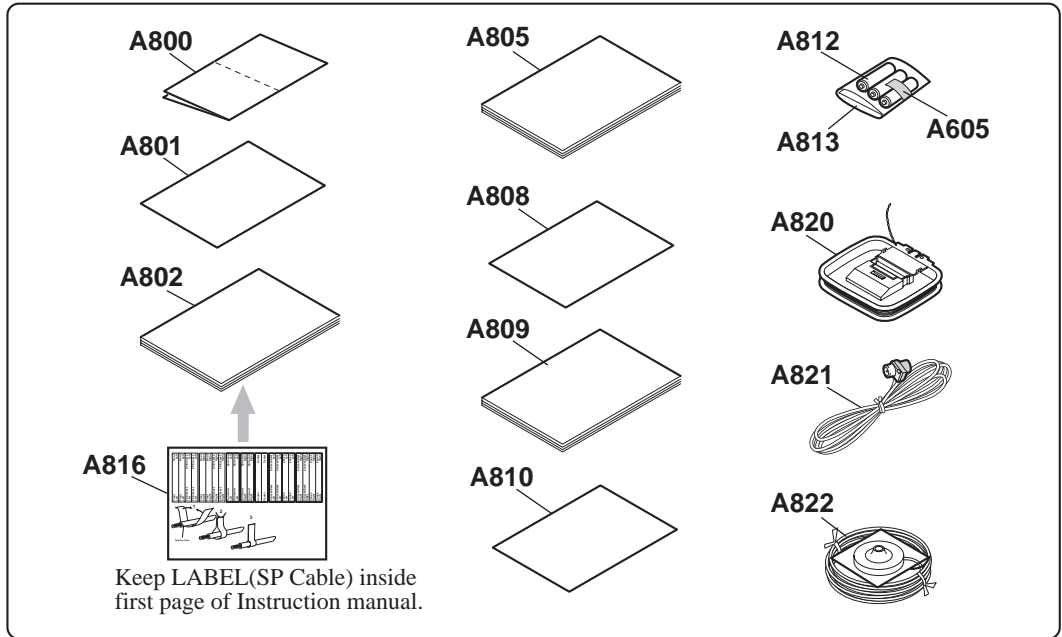
TX-SR603X

PACKING PROCEDURE PARTS LIST

	REF. NO.	NAME	DESCRIPTION	Q'TY	PART NO	REMARKS
PV	A601	PAD	AS	1	29092244	
PV	A603	POLY BAG	POLY BAG(850 x 650)	1	29100034-1A	
PV	A605	TAPE	NITTO NO.29	(1)	29110149	
PV	A606	PP TAPE	W48 OPP TAPE	(1)	29110148	
PV	A650	CARTON	TX-SR603(B)MDD	1	29054442A	(B), <DD>
PV	A650	CARTON	TX-SR603(S)MDC	1	29054446A	(B), <DC>
PV	A650	CARTON	TX-SR603(S)MDC	1	29054443A	(S), <DC>
PV	A655	UPC LABEL	TX-SR603X(B)	1	29364268	(B)

PV	A655	UPC LABEL	TX-SR603X(S)	1	29364269	(S)
PV	A800	WRNTY CARD	(ONKYO)	1	29365102A	
PV	A801	HANDBILL	(DS-A2)	1	29380145	
PV	A802	INS MANUAL	En(TX-SR603X)	1	29344095	
PV	A805	INS MANUAL	U2FrEs(TX-SR603X)	1	29344096	<DC>
PV	A808	INS MANUAL	En-Dig(TX-SR603X)	1	29343975	<DD>
PV	A809	INS MANUAL	U9(RC620-623/630-632)	1	29344100	
PV	A810	INST SHEET	XM RADIO(E)	1	29355538	
PV	A812	BATTERY	R6/AA(UM-3)	3	3010054	
PV	A813	POLY BAG	t0.1 x 70 x 100	1	29100217	
PV	A815	POLY BAG	350 x 250	1	29100097-1A	
PV	A816	LABEL	(SP CABLE)	1	29363059A	
PV	A820	ANT COIL	NMA-3057	1	232140	
PV	A821	FM ANT AS	Type W	1	292191	
PV	A822	SETUP MIC AS	MIC-5000	1	1B068MIC	
PV	A890	REMO CON	RC-623M	1	24140623	

PACKING PROCEDURE



ONKYO CORPORATION

Sales & Product Planning Div. : 2-1, Nisshin-cho, Neyagawa-shi, OSAKA 572-8540, JAPAN
Tel: 072-831-8023 Fax: 072-831-8124

ONKYO U.S.A. CORPORATION

18 Park Way, Upper Saddle River, N.J. 07458, U.S.A.
Tel: 201-785-2600 Fax: 201-785-2650 <http://www.us.onkyo.com/>

ONKYO EUROPE ELECTRONICS GmbH

Liegnitzerstrasse 6, 82194 Groebenzell, GERMANY
Tel: +49-8142-4401-0 Fax: +49-8142-4401-555 <http://www.eu.onkyo.com/>

ONKYO EUROPE UK Office

Suite 1, Gregories Court, Gregories Road, Beaconsfield, Buckinghamshire, HP9 1HQ
UNITED KINGDOM Tel: +44-(0)1494-681515 Fax: +44(0)-1494-680452

ONKYO CHINA LIMITED

Units 2102-2107, Metroplaza Tower I, 223 Hing Fong Road, Kwai Chung,
N.T., HONG KONG Tel: 852-2429-3118 Fax: 852-2428-9039
<http://www.ch.onkyo.com/>

