

**CONFIDENTIALITY NOTICE:**

The content of this Bulletin is Confidential Information as defined in the applicable Independent Service Center Agreement. It is for the exclusive use of Onkyo Authorized Service Centers. Republication, dissemination or posting of this Bulletin on the internet or in any blog is strictly prohibited.



**SERVICE BULLETIN  
NO: 070710-R1**

**Models:** TX-SR605/DTR5.8

**Subject:** Static (pop) noise in DSP mode

**Symptom:** During playback in any listening modes except Analog Direct, Multi-ch, and 2ch Pure Audio, Static (Pop) noise randomly comes out from all channel speakers, when the internal temperature is high. This noise stops when the unit is cooled (internal temperature is low)

**Cause:** When the internal temperature becomes high: depending on the variation of IC quality, SDRAM clock cannot catch up with the data reading speed.

**Procedure:**

When the above problem is reported, remove C240 from DSP Board NADG-9189. Place the unit as shown in Fig 1. below and then remove C240 as shown in Fig 2.

**Application to Production:**

This modification is applied to production units from 7th of July, 2007 and later. The serial number can be read as follows:

Serial number: #YM1##2345

Unit number: 12345<sup>th</sup> unit

Year: 200Y

Month: M

**CONFIDENTIALITY NOTICE:**

The content of this Bulletin is Confidential Information as defined in the applicable Independent Service Center Agreement. It is for the exclusive use of Onkyo Authorized Service Centers. Republication, dissemination or posting of this Bulletin on the internet or in any blog is strictly prohibited.

**CONFIDENTIALITY NOTICE:**

The content of this Bulletin is Confidential Information as defined in the applicable Independent Service Center Agreement. It is for the exclusive use of Onkyo Authorized Service Centers. Republication, dissemination or posting of this Bulletin on the internet or in any blog is strictly prohibited.



Fig 1.

**CONFIDENTIALITY NOTICE:**

The content of this Bulletin is Confidential Information as defined in the applicable Independent Service Center Agreement. It is for the exclusive use of Onkyo Authorized Service Centers. Republication, dissemination or posting of this Bulletin on the internet or in any blog is strictly prohibited.

**CONFIDENTIALITY NOTICE:**

The content of this Bulletin is Confidential Information as defined in the applicable Independent Service Center Agreement. It is for the exclusive use of Onkyo Authorized Service Centers. Republication, dissemination or posting of this Bulletin on the internet or in any blog is strictly prohibited.



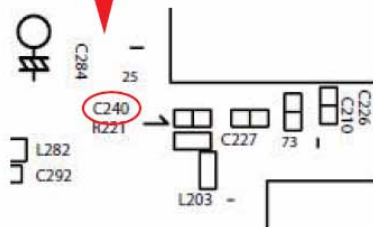
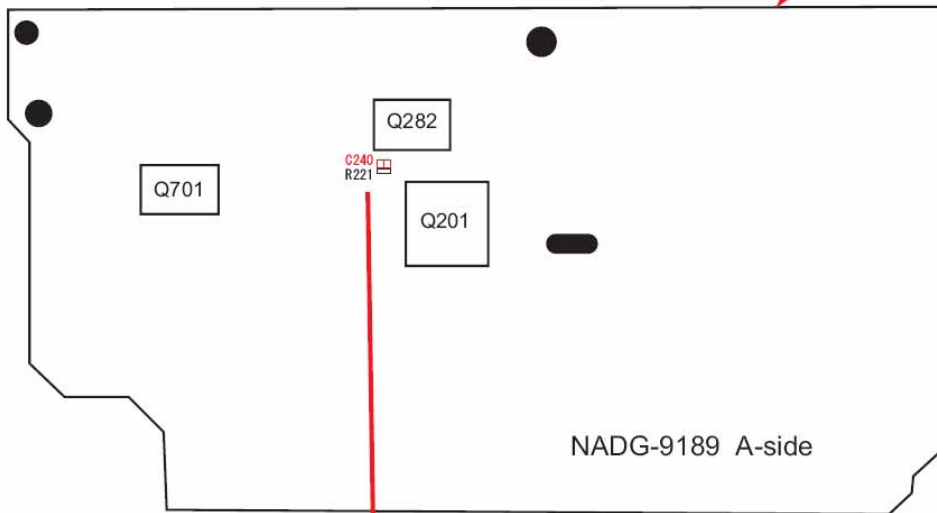
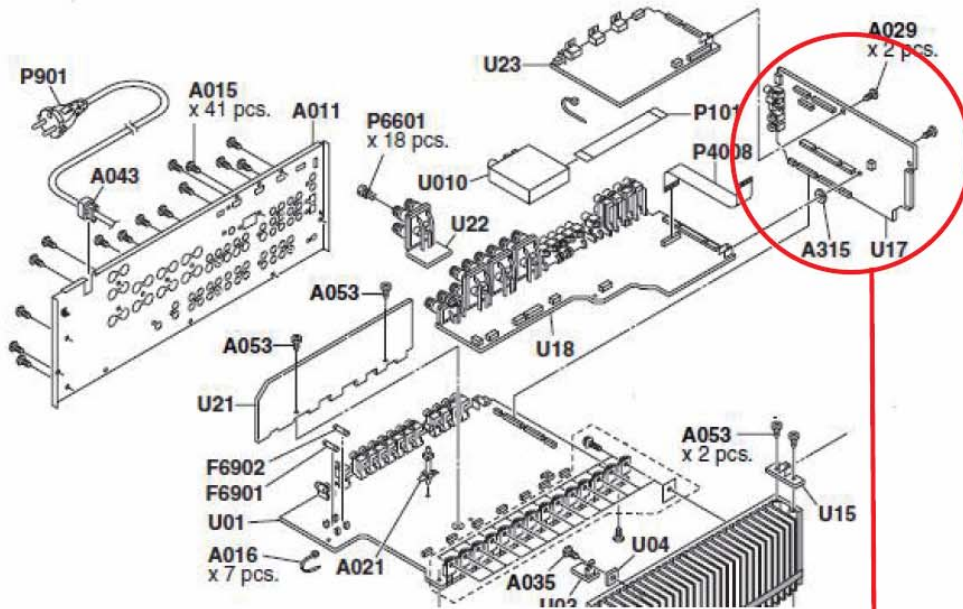
Fig 2.

**CONFIDENTIALITY NOTICE:**

The content of this Bulletin is Confidential Information as defined in the applicable Independent Service Center Agreement. It is for the exclusive use of Onkyo Authorized Service Centers. Republication, dissemination or posting of this Bulletin on the internet or in any blog is strictly prohibited.

**CONFIDENTIALITY NOTICE:**

The content of this Bulletin is Confidential Information as defined in the applicable Independent Service Center Agreement. It is for the exclusive use of Onkyo Authorized Service Centers. Reproduction, dissemination or posting of this Bulletin on the internet or in any blog is strictly prohibited.



Remove C240.

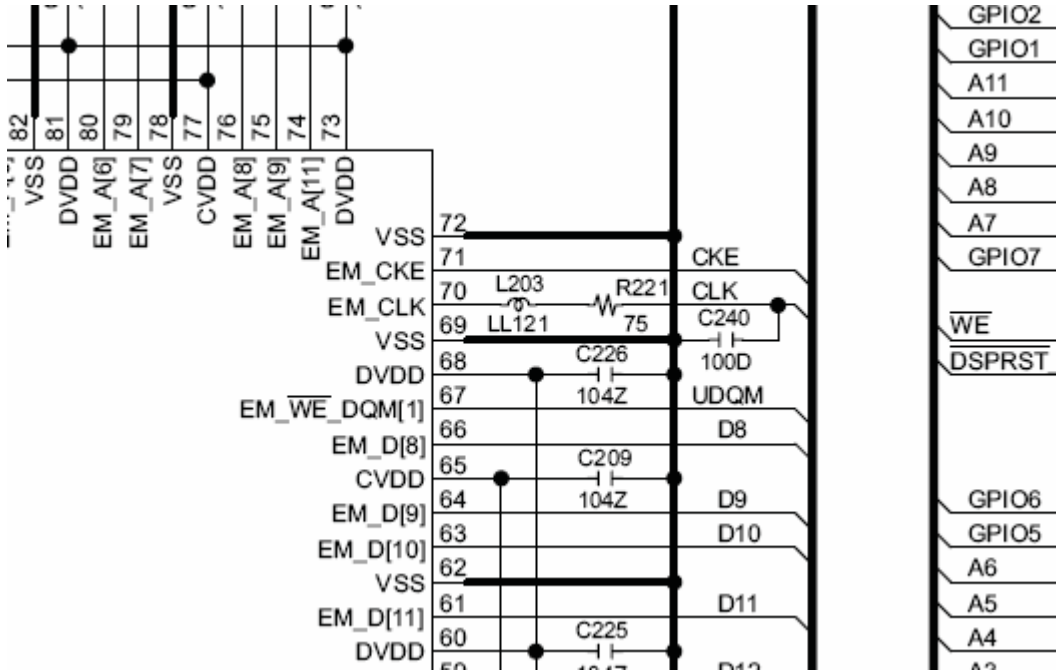
**CONFIDENTIALITY NOTICE:**

The content of this Bulletin is Confidential Information as defined in the applicable Independent Service Center Agreement. It is for the exclusive use of Onkyo Authorized Service Centers. Reproduction, dissemination or posting of this Bulletin on the internet or in any blog is strictly prohibited.

**CONFIDENTIALITY NOTICE:**

The content of this Bulletin is Confidential Information as defined in the applicable Independent Service Center Agreement. It is for the exclusive use of Onkyo Authorized Service Centers. Reproduction, dissemination or posting of this Bulletin on the internet or in any blog is strictly prohibited.

**DSP Board: Remove C240**



Q201

**CONFIDENTIALITY NOTICE:**

The content of this Bulletin is Confidential Information as defined in the applicable Independent Service Center Agreement. It is for the exclusive use of Onkyo Authorized Service Centers. Reproduction, dissemination or posting of this Bulletin on the internet or in any blog is strictly prohibited.