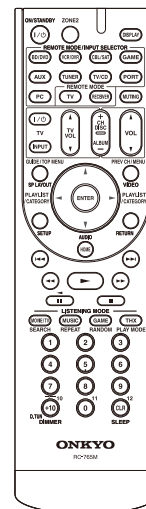
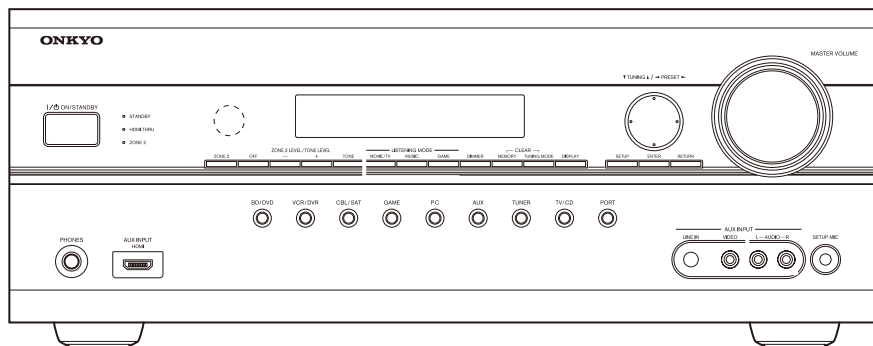


ONKYO SERVICE MANUAL

AV RECIEVER MODEL TX-SR608 (B)/(S)/(G)




RC-765M

Black, Silver and Golden models

BMDD, BMDC	120V AC, 60Hz
BMMP, SMMP, BMMB	230V AC, 50Hz
BMMO, BMMQ, BMMA GMMR, BMMR	220-240V, AC 50/60Hz
BMDF	120V AC, 60Hz

SAFETY-RELATED COMPONENT WARNING!!

COMPONENTS IDENTIFIED BY MARK  THE SCHEMATIC DIAGRAM AND IN THE PARTS LIST ARE CRITICAL FOR RISK OF FIRE AND ELECTRIC SHOCK. REPLACE THESE COMPONENTS WITH ONKYO PARTS WHOSE PART NUMBERS APPEAR AS SHOWN IN THIS MANUAL.

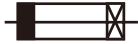
MAKE LEAKAGE-CURRENT OR RESISTANCE MEASUREMENTS TO DETERMINE THAT EXPOSED PARTS ARE ACCEPTABLY INSULATED FROM THE SUPPLY CIRCUIT BEFORE RETURNING THE APPLIANCE TO THE CUSTOMER.

SERVICE PROCEDURE

1. Replacing the fuses



This symbol located near the fuse indicates that the fuse used is slow operating type. For continued protection against fire hazard, replace with same type fuse. For fuse rating, refer to the marking adjacent to the symbol.



Ce symbole indique que le fusible utilise est e lent. Pour une protection permanente, n'utiliser que des fusibles de meme type. Ce demier est indique la qu le present symbol est apposre.

<Notes>

<MDD> : North American model	<MMQ> : Hong Kong model
<MMA> : Australian model	<MMP> : European model
<MDC> : Canadian model	<MMB> : Britain model
<MMO> : Saudi Arabia model	<MMR> : China model
<MMR> : Taiwan model	

REF No.	PART NAME	DESCRIPTION	PART N O.	REMARKS
F6901	FUSE	12A-TUL-250V	252301GR	
F6902	FUSE	12A-TUL-250V	252301GR	
F901	FUSE	5A-SE-EAK FUSE	252078GR	<B MMA, MMB, MMO, MMP, MMQ, MMR / G MMR / S MMP>
F901or	FUSE	5A-SE-TL250V	252278GR	<B MMA, MMB, MMO, MMP, MMQ, MMR / G MMR / S MMP>
F901	FUSE	10A-UL/T-233	252330GR	<B MDC, MDD, MDF>
F901or	FUSE	10A-T/UL-ST2	252333GR	<B MDC, MDD, MDF>

2. To initialize the unit

1. Press and hold down VCR/DVR button, then press ON/STANDBY button when the unit is powered on.
2. After *Clear* is displayed, the preset memory and each mode stored in the memory are initialized and will return to the factory settings, and turn to Standby mode.
3. Remove the AC cord from power line.

3. Safety check out

(U.S.A. model only)

After correcting the original service problem, perform the following safety check before releasing the unit to the customer.

Leakage current Check

Measure the leakage current to a known earth ground (water pipe or conduct etc.) by connecting a leakage current tester between the earth ground and exposed metal parts of the unit (input/output ground terminals, screw heads or metal overlays etc.).

Plug the power supply cord directly into a 120Vac 60Hz wall socket and turn ON/STANDBY button on.

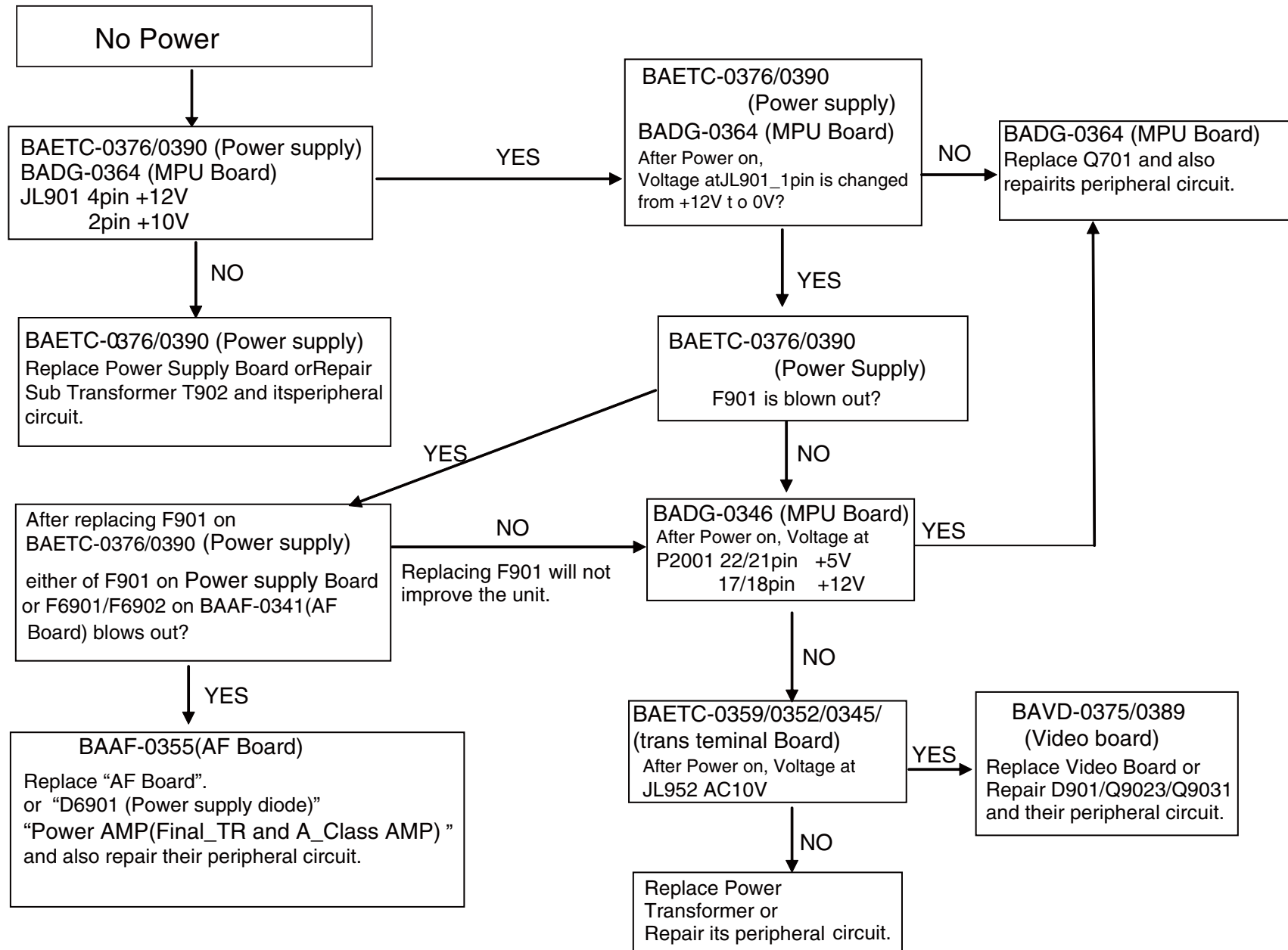
Any current measured must not exceed 0.5mA.

4. Memory Backup

This model uses a EE-PROM IC in order to retain radio presets and other settings. So, memory contents will be kept eternally with no care.

TROUBLE SHOOT-1 No Power

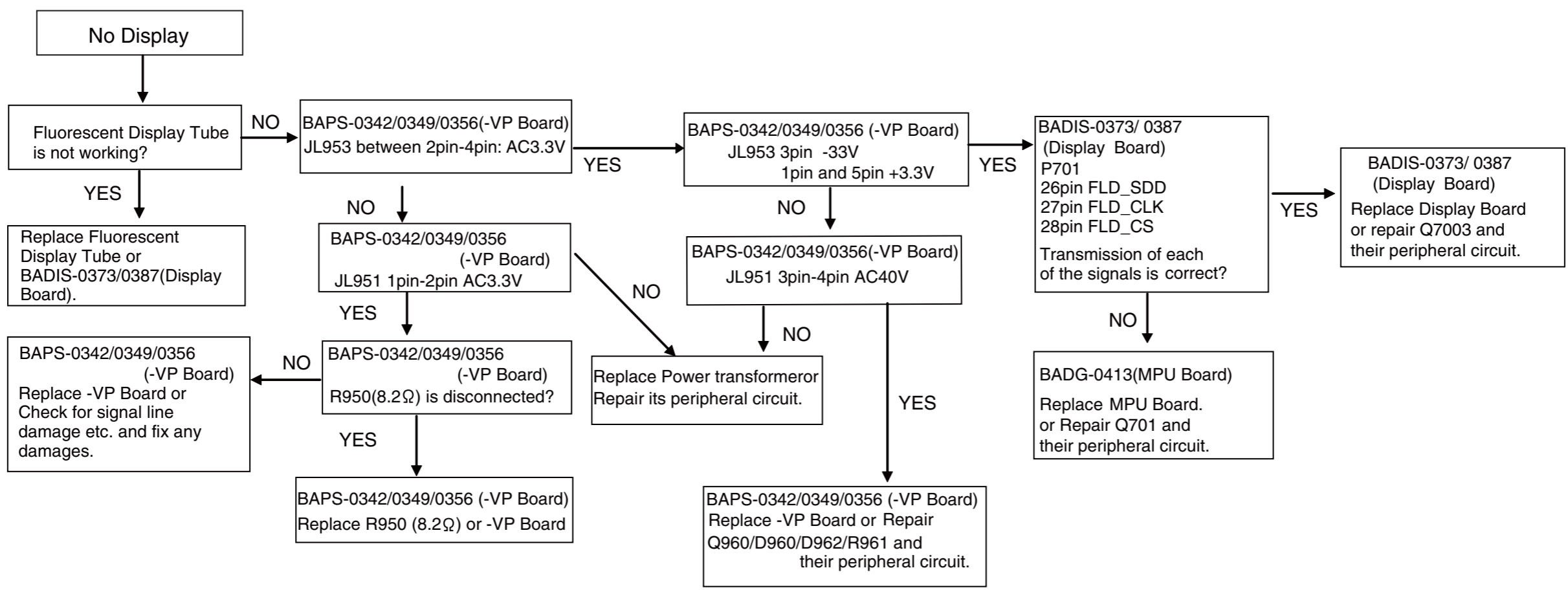
This is just for general reference and does not including every single case.



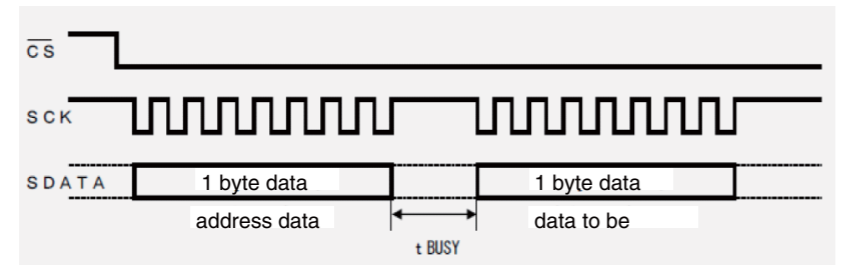
TROUBLE SHOOT- 2
No Display

This is just for general reference and does not include every single case.
The above waveforms are got by Oscilloscope of Maximum Horizontal Sensitivity: 100MHz.
The results depend on the oscilloscope.

1
2
3
4
5



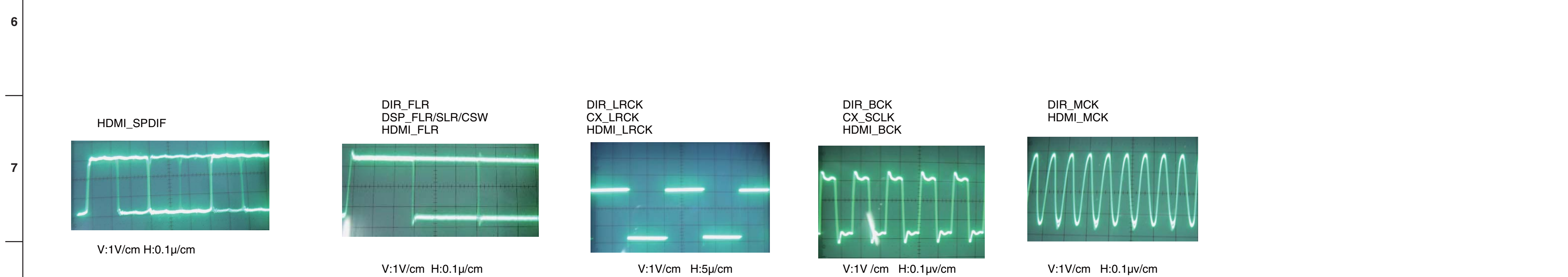
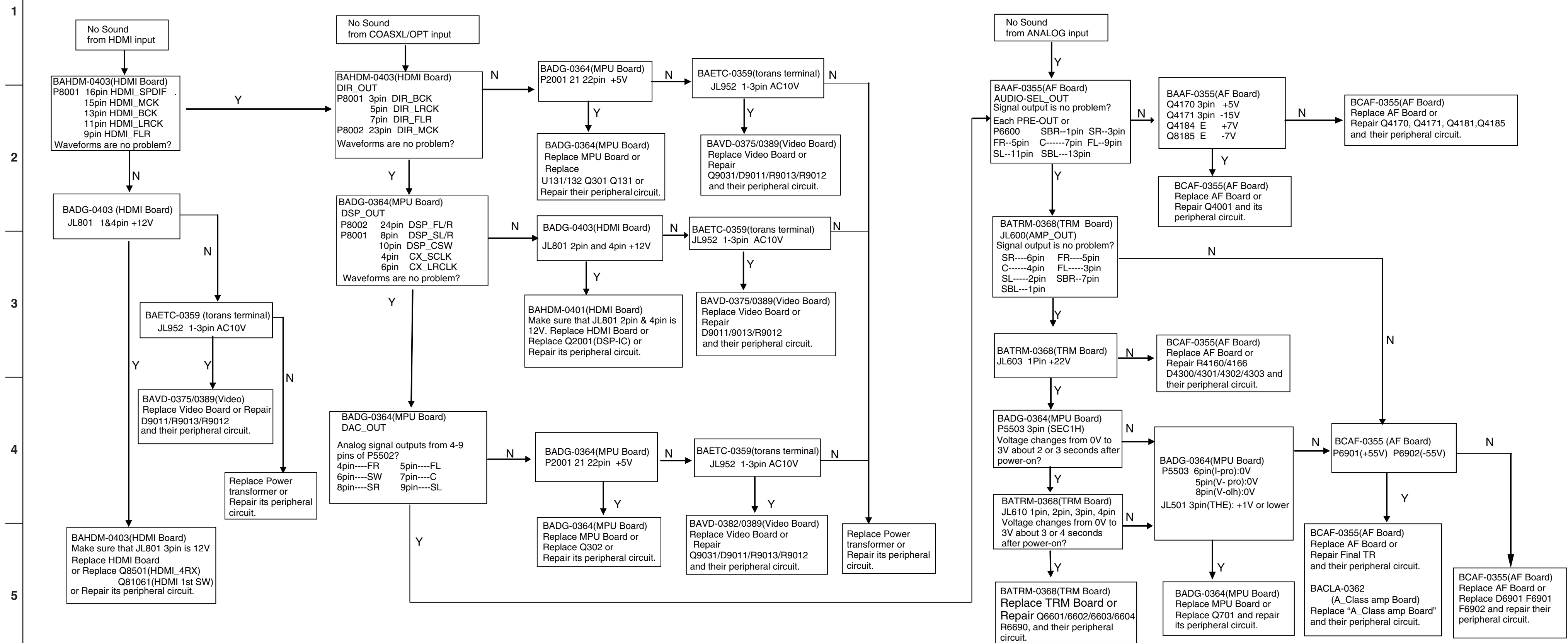
Timing of Serial Communication



	FLD_CLK	FLD_SDD(DATA)	FLD_CS
V:1V/cm H:02Msec/cm			
V:1V/cm H:10µsec/cm			
V:1V/cm H:1µsec/cm			

**TROUBLE SHOOT-3
No Sound**

Note:
This is just for general reference and does not include every single case.
The above waveforms are got by Oscilloscope of Maximum Horizontal Sensitivity: 100MHz.
The results depend on the oscilloscope.



V:1V/cm H:0.1μm/cm

V:1V/cm H:0.1μm/cm

V:1V/cm H:5μm/cm

V:1V/cm H:0.1μm/cm

V:1V/cm H:0.1μm/cm

MMPU/ VMPU/ DSP/ VSP Update Procedure-1

Preparation for Update-1

1. PC (Personal Computer) which can play back wav files and output digital audio signal at 44.1 kHz (sampling frequency)
2. Software: Given wav-formatted FW Store it in the PC in advance (PC Update) or burn a CD-R with it as a music disc (CD Update).
3. Connection: DIGITAL (OPTICAL/COAXIAL) output of PC/CD Player --> DIGITAL (OPTICAL-1/COAXIAL) INPUT of TX-SR308 etc.

- * PC needs to be able to handle wav files and output digital audio signal at Sampling Frequency 44.1KHz.
- * For wav-compatible PCs which do not output audio signal at the above specification, use a commercially-available USB-AUDIO interface unit. e.g. Onkyo-made ND-S1

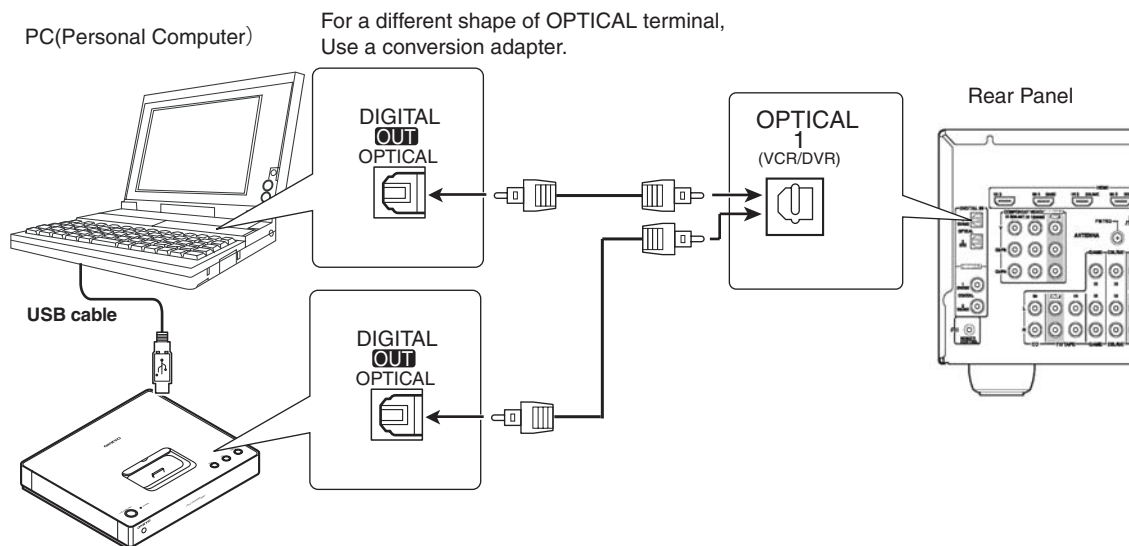
- * Set Sampling frequency to 44.1kHz and also set Volume to Maximum.
For further information, please see Owner's manual of your PC.

- * Instead of PC, CD players with DIGITAL output terminal can be used.

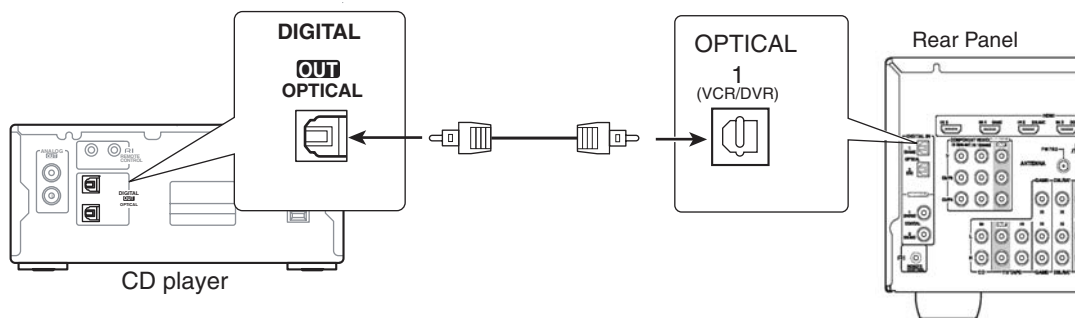
Note: CD players need to output digital audio signal at 44.1 kHz of Sampling frequency.

Some CD players and DVD players are not suitable for update because they process audio signal to output.
Burn a CD-R as music disc.

Connection Example



USB-AUDIO interface unit. e.g. Onkyo-made ND-S1



<NOTE 1>

"Writing" will not be shown even more than about 15 seconds passed after starting playback, audio signal does not output at Sampling frequency:44.1kHz.

Check the connection and settings and try again.

When another try results in failure again, use the other update method.

<NOTE 2>

DURING FW UPGRADE, DO NOT TURN OFF THE UNIT. DO NOT REMOVE ANY CONNECTIONS.
These operation will not allow FW Upgrade any more, and the whole board or IC will need replacing.

MMPU/ VMPU/ DSP/ VSP Update Procedure-2

Update Procedure

1. While the unit is on, hold down [DISPLAY] and then press [ON/STANDBY].
Main FW Version will be shown on Front Display.

e.g. M:1.02/10323AE * It depends on the version.

2. While Main FW Version is shown, press [+(TONE)].
DSP FW Version will be shown on Front Display.

e.g. D:1.02/10416a38 * It depends on the version.

3. While DSP FW Version is shown, press [RETURN].

AUTO → ALL

* ▲ TUNING ▼ key changes “AUTO ▼ COAX1 ▼ OPT1.”

(“AUTO” means “COAX1” or “OPT1” will be automatically detected.

* ◀ TUNING ▶ key changes “ALL ▶ MMPU ▶ VMPU ▶ DSP ▶ VSP ▶ PORT”.
(TOTAL = MMPU+VMPU+DSP+VSP)

4. When MAIN and DSP FWs are upgraded at the same time, select “AUTO → ALL” and press “ENTER.”
For separate upgrade, select “MAIN” or “DSP” and press “ENTER.”

S/PDIF Update..

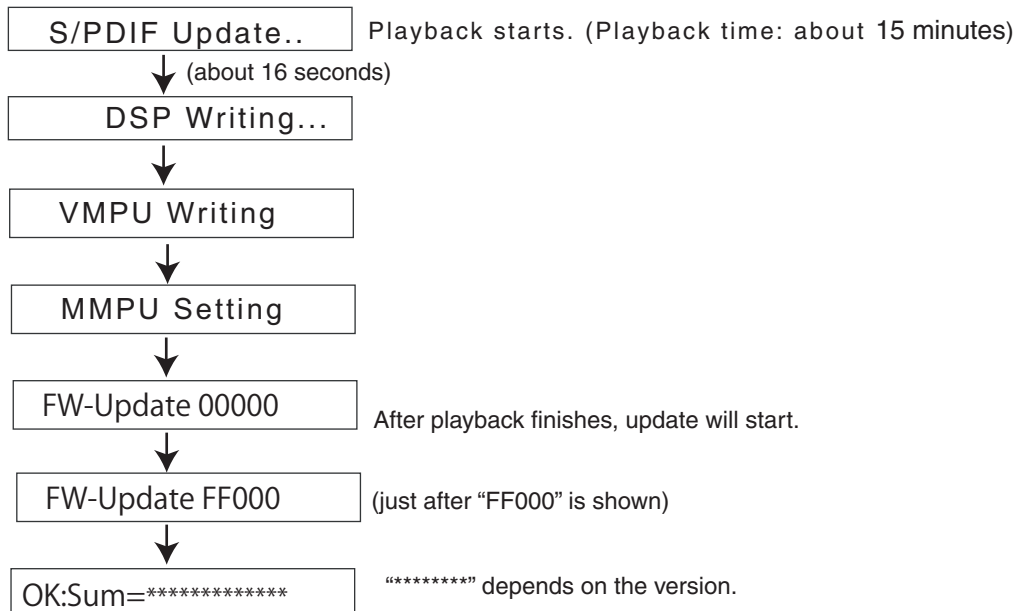
5. PC upgrade: Play back the stored wav file in your PC.
CD upgrade: Play back the FW CD-R with the connected CD player. It takes about 15 minutes.

[NOTE] Make sure that “dolby dts” is shown before starting playback.

About 15 seconds later, the message will change from **S/PDIF Update...** to **Writing...**

When “Writing...” will not be shown, the output music data is not correct.

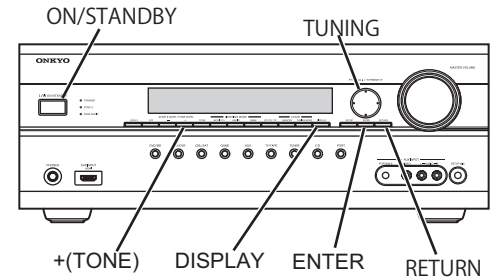
Check the connection and settings.



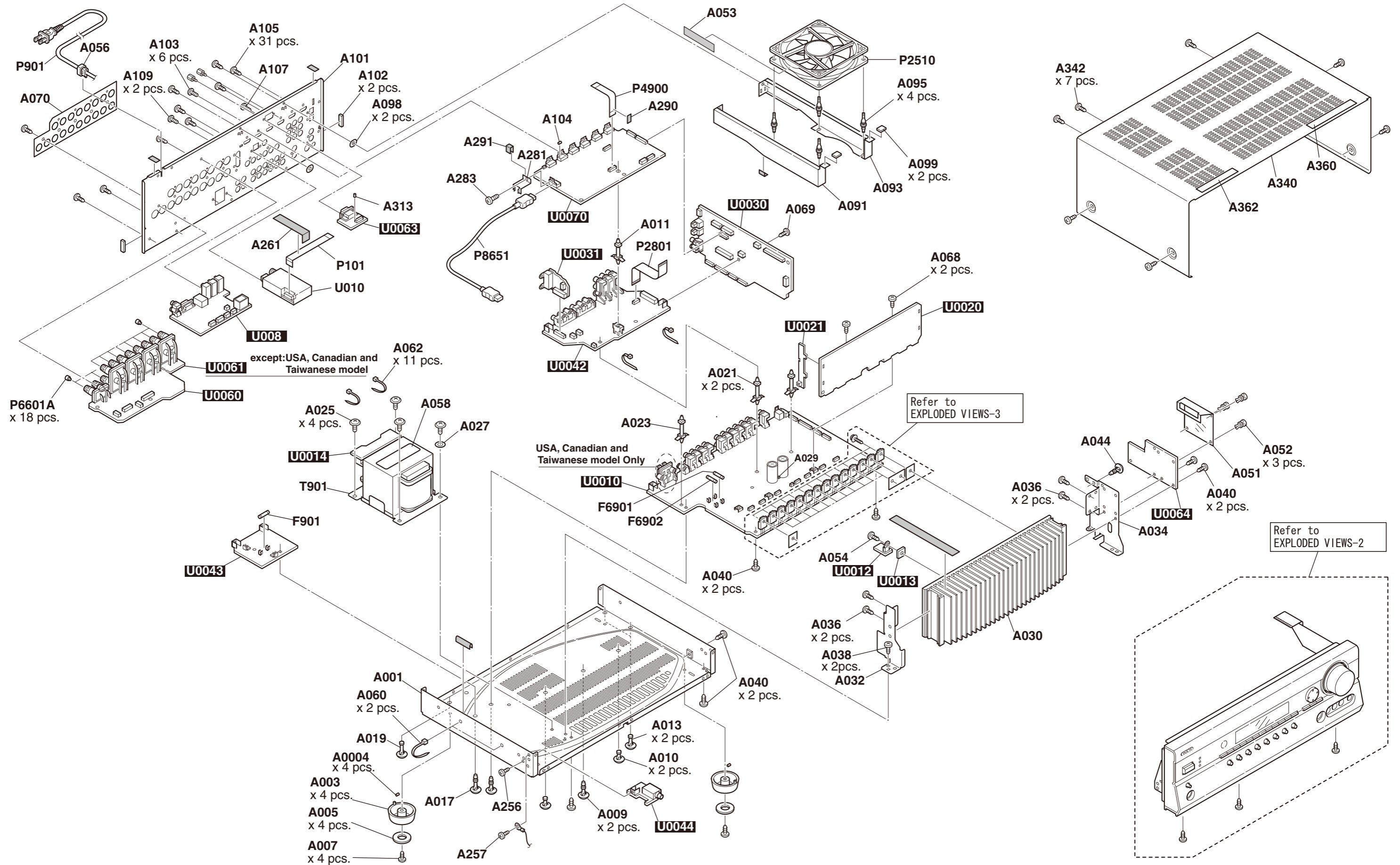
6. Unplug AC cord and plug it again. Press [ON/STANDBY].

Clear

7. Make sure that “Clear” is shown and the unit is turned into the Standby mode.
8. Make sure that the FW versions are the latest.

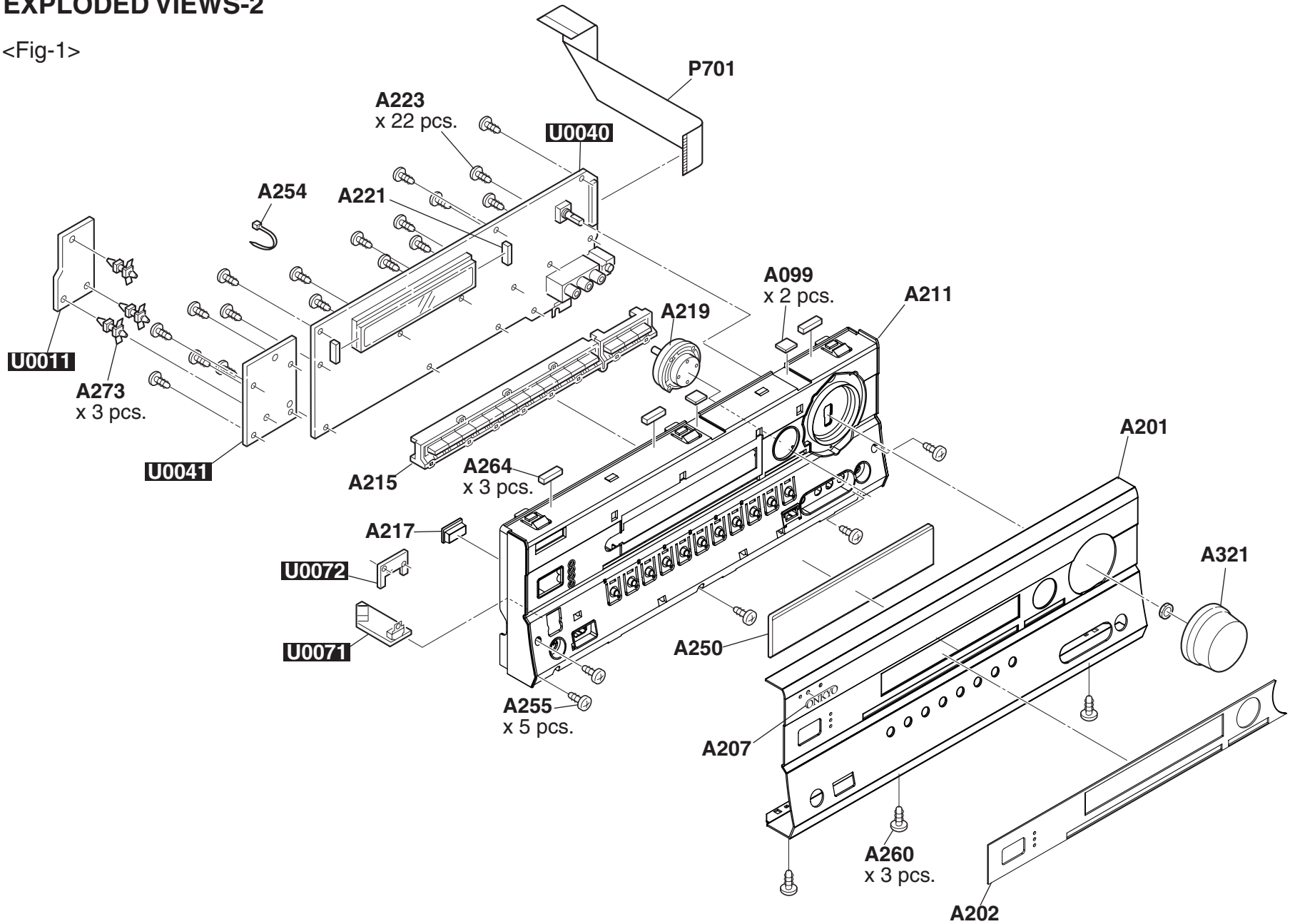


EXPLODED VIEWS-1



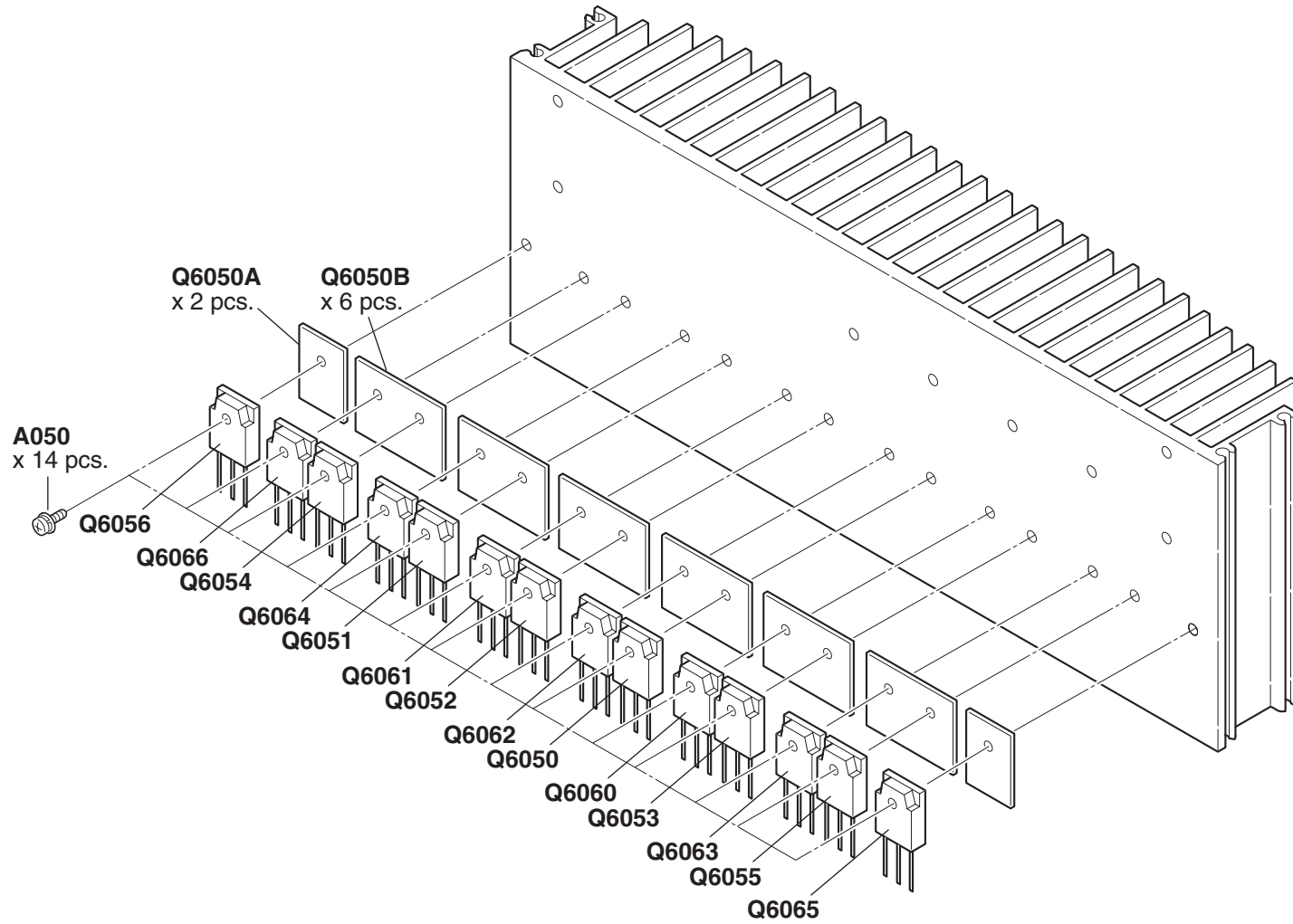
EXPLODED VIEWS-2

<Fig-1>

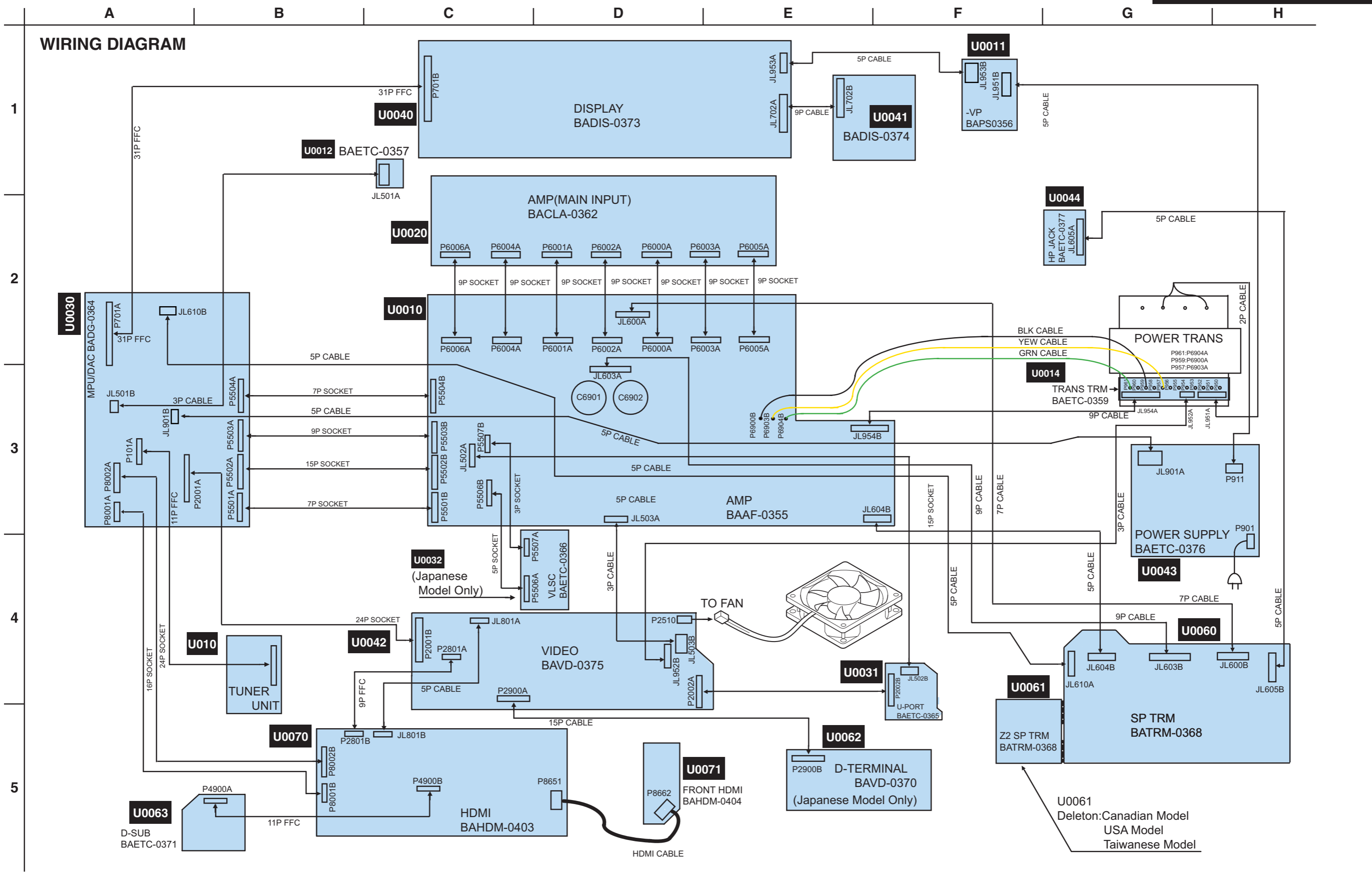


EXPLODED VIEWS-3

<Fig-2>



WIRING DIAGRAM



U0061
Deleton: Canadian Model
USA Model
Taiwanese Model

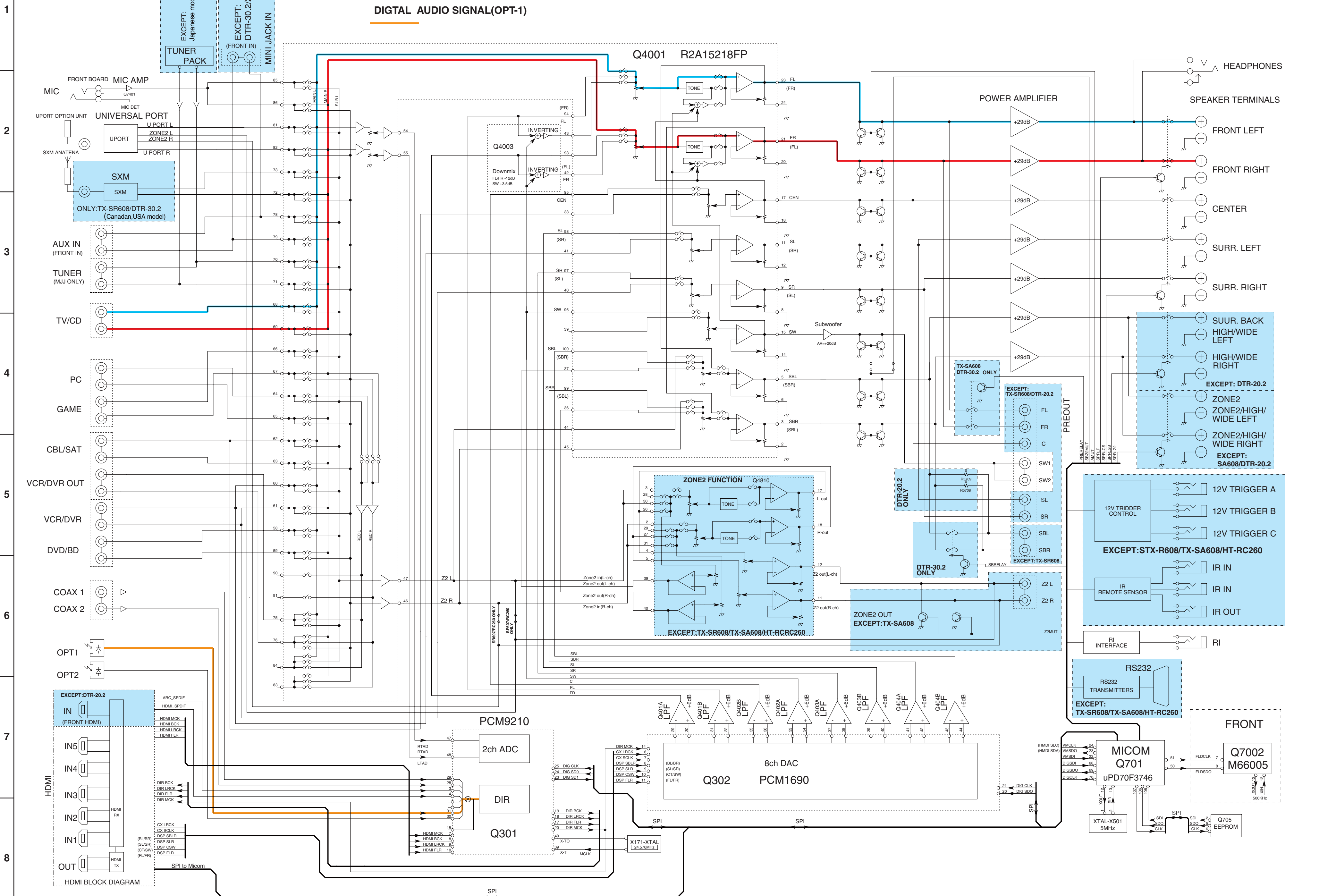
BLOCK DIAGRAMS-1c
AUDIO BLK SECTION

AUDIO ANALOG SIGNAL(TV/CD)

— FRONT L
— FRONT R

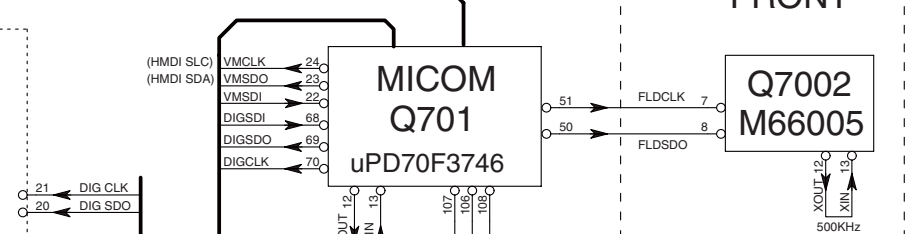
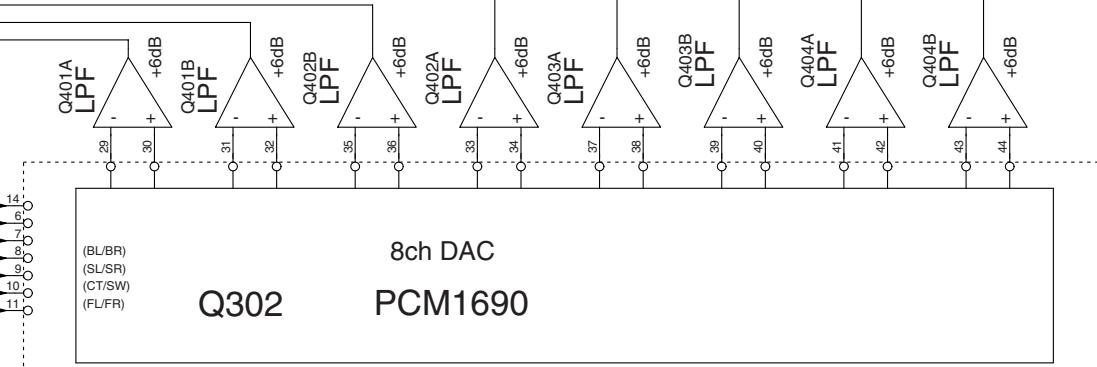
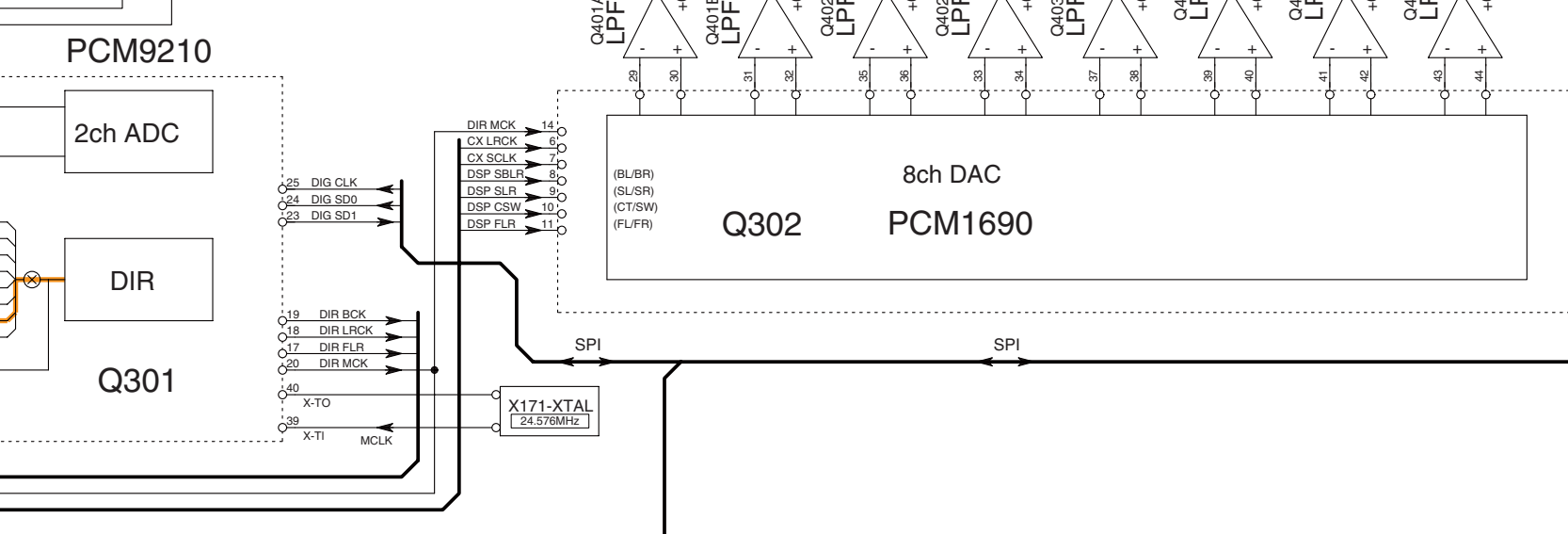
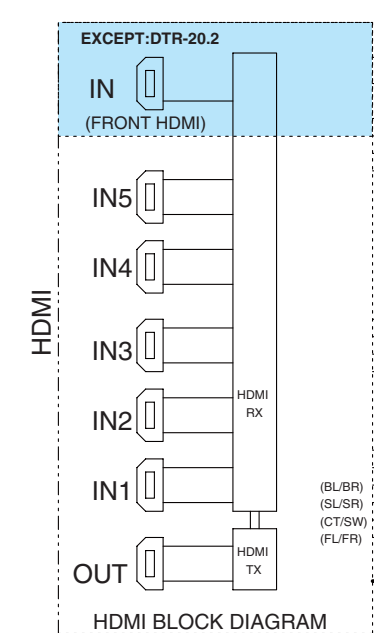
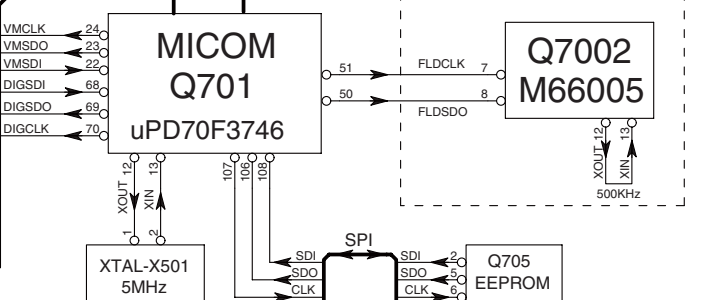
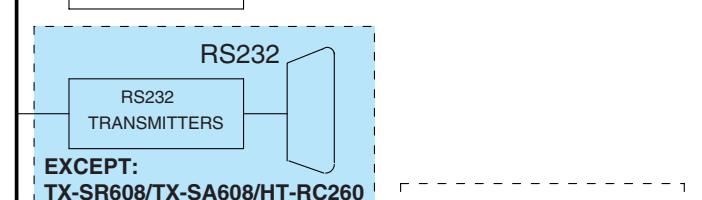
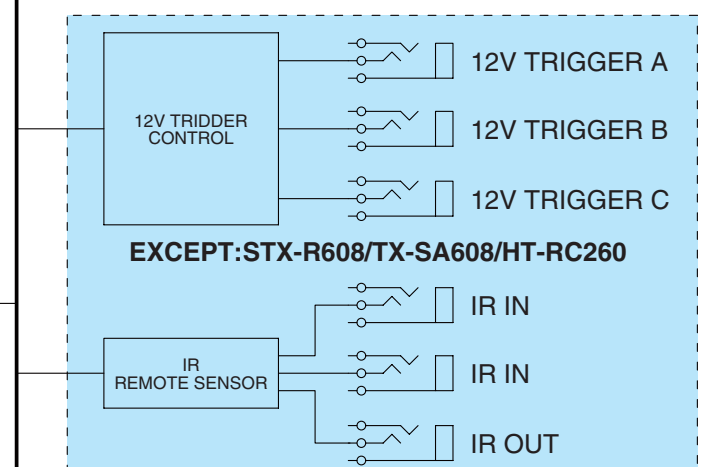
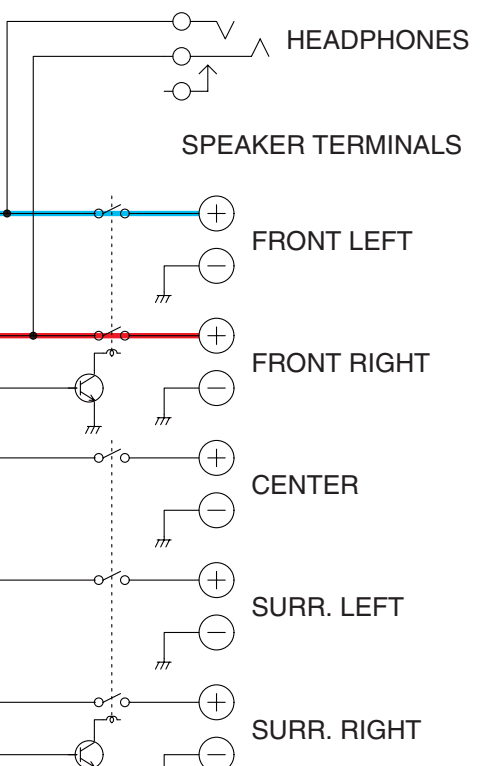
DIGITAL AUDIO SIGNAL(OPT-1)

—



1
2
3
4
5
6
7
8

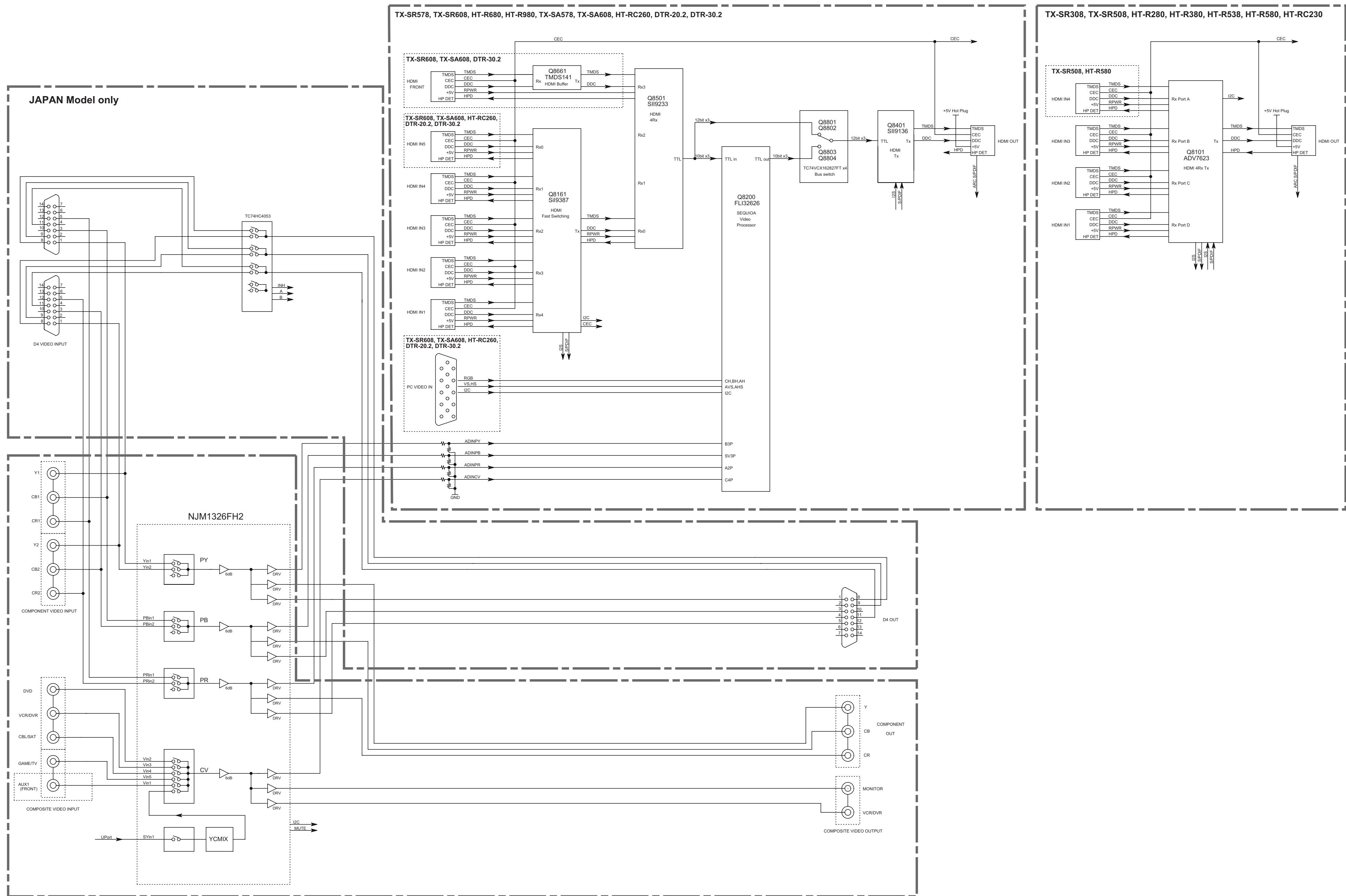
A B C D E F G H I J K



SCHEMATIC DIAGRAMS-2

Video BLK Section

1
2
3
4
5
6
7
8



SCHEMATIC DIAGRAMS-3c
AUDIO INPUT SECTION

AUDIO ANALOG SIGNAL(TV/CD)
FRONT L
FRONT R

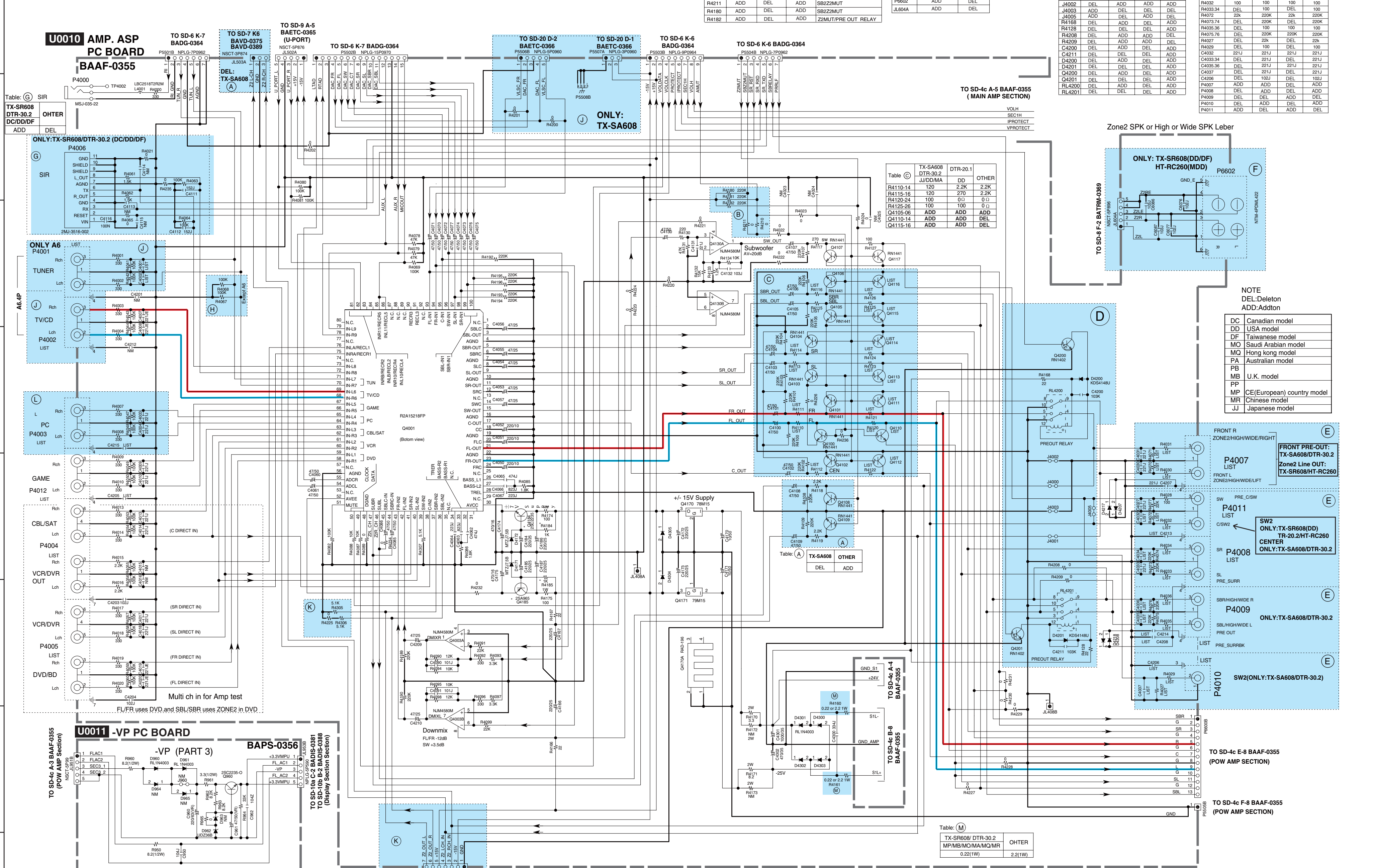


Table (G) SIR
TX-SR608
DTR-30.2
DC/DD/DF
ADD DEL

ONLY TX-SR608/DTR-30.2 (DC/DD/DF)
SIR
ADD DEL

ONLY A6
P4001
TUNER
Lch
ADD DEL

TV/CD
P4002
LIST
ADD DEL

PC
P4003
LIST
ADD DEL

GAME
P4012
Lch
ADD DEL

CBL/SAT
P4004
LIST
ADD DEL

VCR/DVR
OUT
P4005
Lch
ADD DEL

VCR/DVR
P4005
Rch
ADD DEL

DVD/BD
P4005
Lch
ADD DEL

U0011 -VP PC BOARD
-VP (PART 3)
ADD DEL

Table (H) TUNER PACK
OHTER TX-SA608
ADD DEL

Table (K) ZONE2 PREOUT
DTR-2.02 OHTER
ADD DEL

Table (L) PC INPUT
OHTER HT-RC260
ADD DEL

Table (J) TX-SA608 OHTER
R4001-02 ADD DEL
R4041-42 ADD DEL
R4200-01 DEL ADD
C4001-02 221J 152J
P4001 ADD DEL
P4002 DEL ADD
P5506B-09B ADD DEL

Table (B) TX-SR608 HT-RC260 DTR-20.2 DTR-30.2
MP/MB/MO MA/MQ/MR JJ DD MA

Table (F) TX-SR608 HT-RC260 DTR-20.2 DTR-30.2
DC/DD/DF MP/MB/MO MA/MQ/MR JJ DD MA

Table (D) TX-SR608 HT-RC260 DTR-20.2 DTR-30.2
DC/DD/DF MP/MB/MO MA/MQ/MR JJ DD MA

Table (E) TX-SR608 HT-RC260 DTR-20.2 DTR-30.2
DC/DD/DF MP/MB/MO MA/MQ/MR JJ DD MA

Table (C) TX-SA608 DTR-30.2 DTR-20.1
JJ/DD/MA DD OTHER

NOTE
DEL: Deletion
ADD: Addition
DC Canadian model
DD USA model
DF Taiwanese model
MO Saudi Arabian model
MQ Hong kong model
PA Australian model
PB U.K. model
PP CE(European) country model
MP Chinese model
JR Japanese model

Table (A) TX-SA608 OTHER
DEL ADD

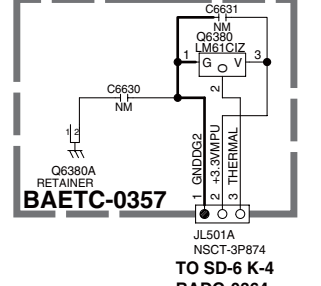
Table (M) TX-SR608/ DTR-30.2 MP/MB/MO MA/MQ/MR OHTER
0.22(1W) 2.2(1W)

SCHEMATIC DIAGRAMS-4c
MAIN AMP (Input Stage) SECTION

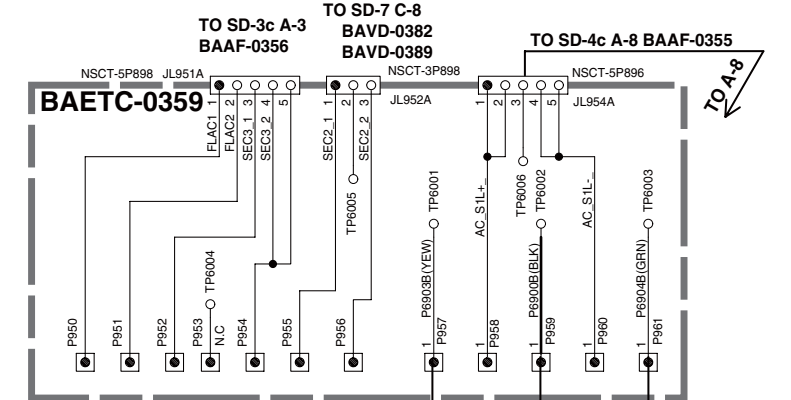
AUDIO ANALOG SIGNAL
FRONT L
FRONT R

Power Tr	TX-SR608 EXCEPT-PP	HT-RC260 DTR-30.2	TX-SA608	TX-SR608 ONLY-PP	DTR-20.2
Q6050-52	2SC4468	2SC4468	2SC5242	2SC5242	2SC4468
Q6053-54	2SC4468	2SC4468	2SC5242	2SC5242	2SC4468
Q6055-56	2SC4468	2SC4468	2SC5242	2SC5242	-
Q6060-62	2SA1695	2SA1695	2SA1962	2SA1962	2SA1695
Q6063-64	2SA1695	2SA1695	2SA1962	2SA1962	2SA1695
Q6065-66	2SA1695	2SA1695	2SA1962	2SA1962	-

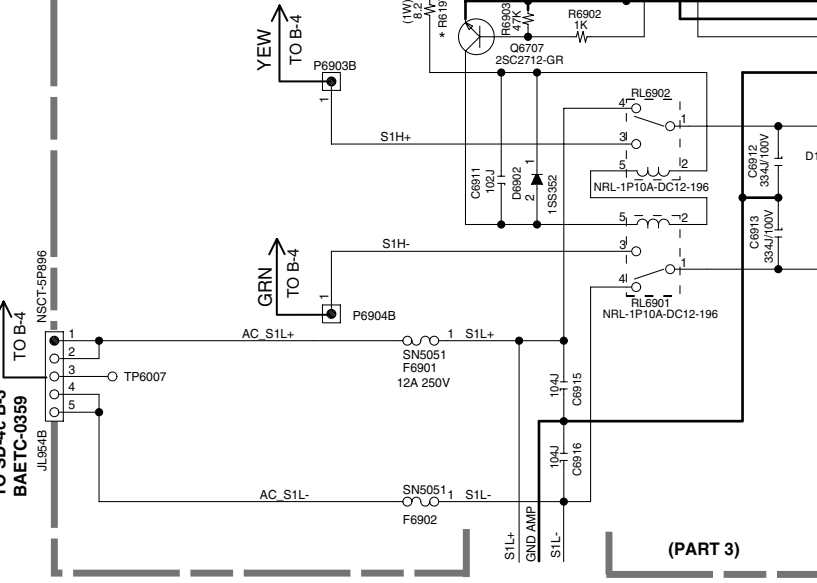
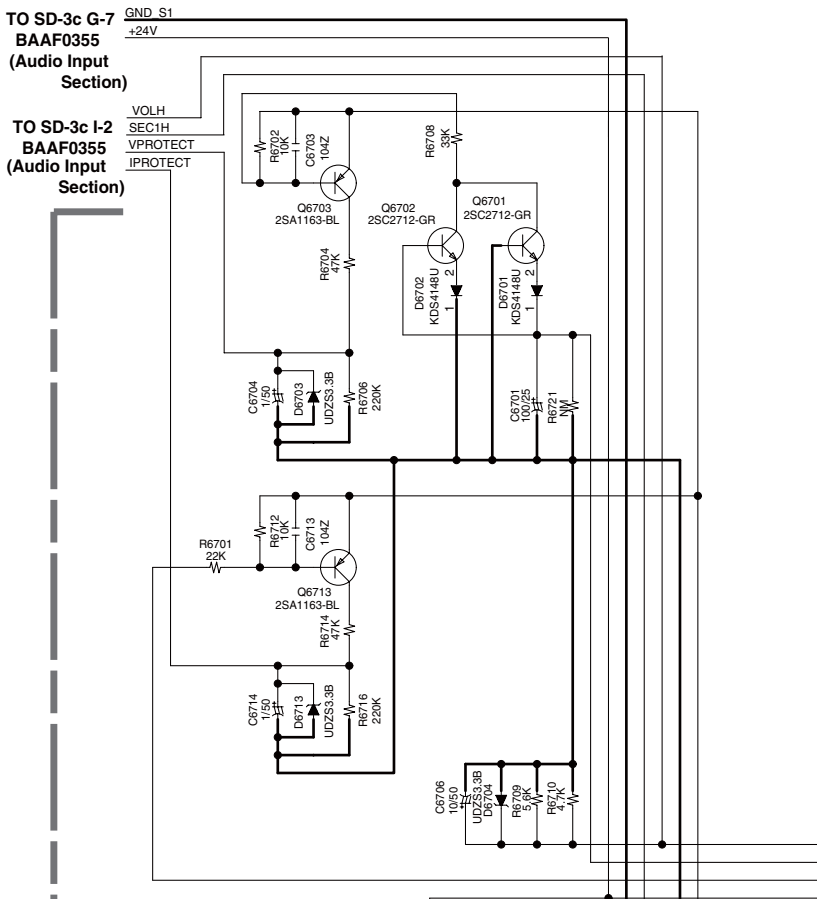
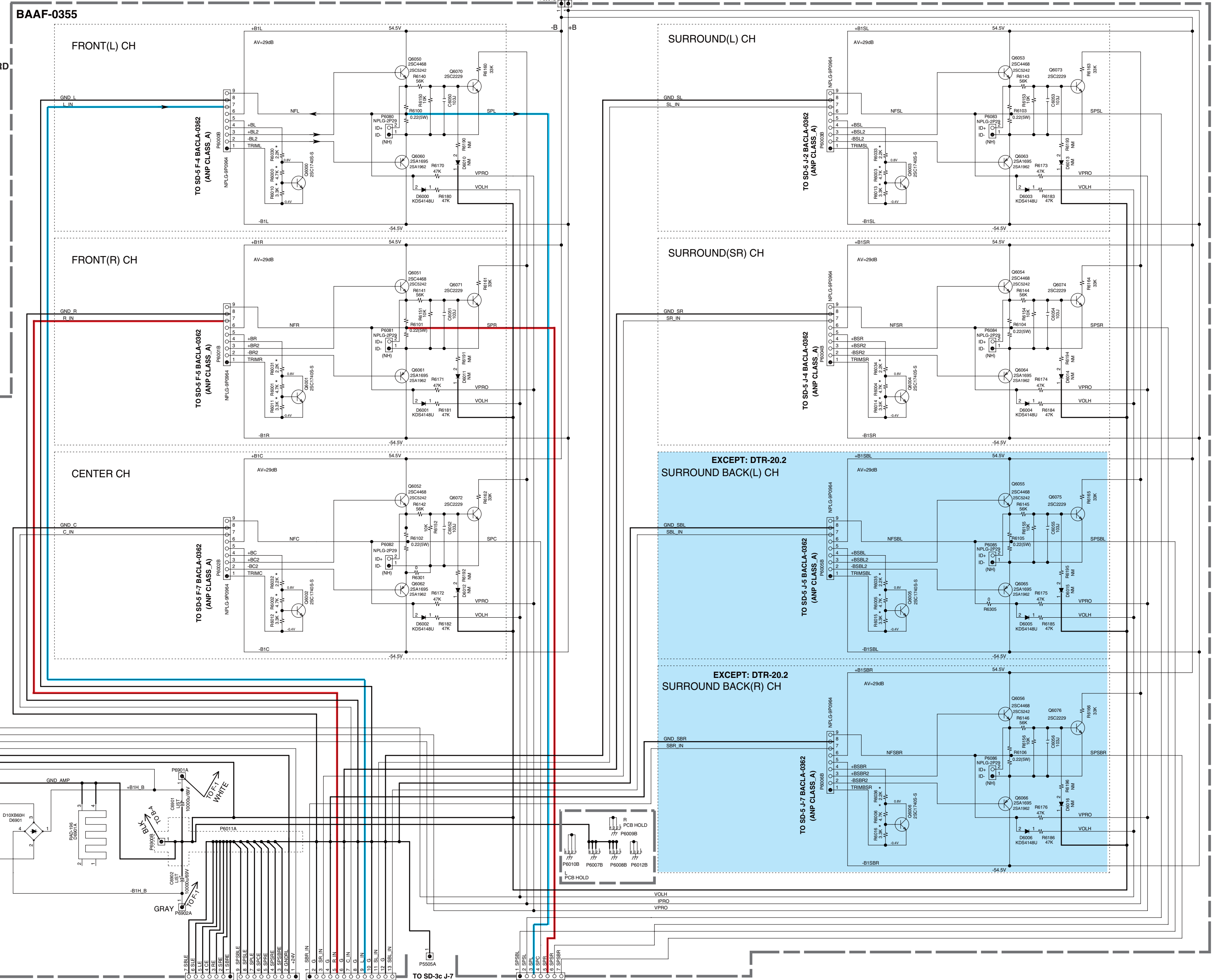
U0012 THERMAL SENSER PC BOARD



U0012 TRANS FIX PC BOARD



U0010 AMP. ASP PC BOARD BAAF-0355



TO SD-3c G-7 BAAF-0355 (Audio Input Section)

TO SD-8 D-5 BATRM-0368 (SP TRM Section)

TO SD-8 F-2 BATRM-0368 (SP TRM Section)

TO SD-3c J-7 BAAF-0355 (Audio Input Section)

TO PART 8 (SP TRM) TO BATRM-0368

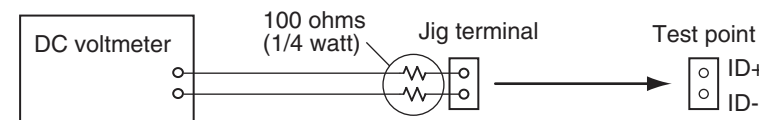
SCHEMATIC DIAGRAMS-5
MAIN AMP (Input Stage) SECTION

IDLING CURRENT ADJUSTMENT

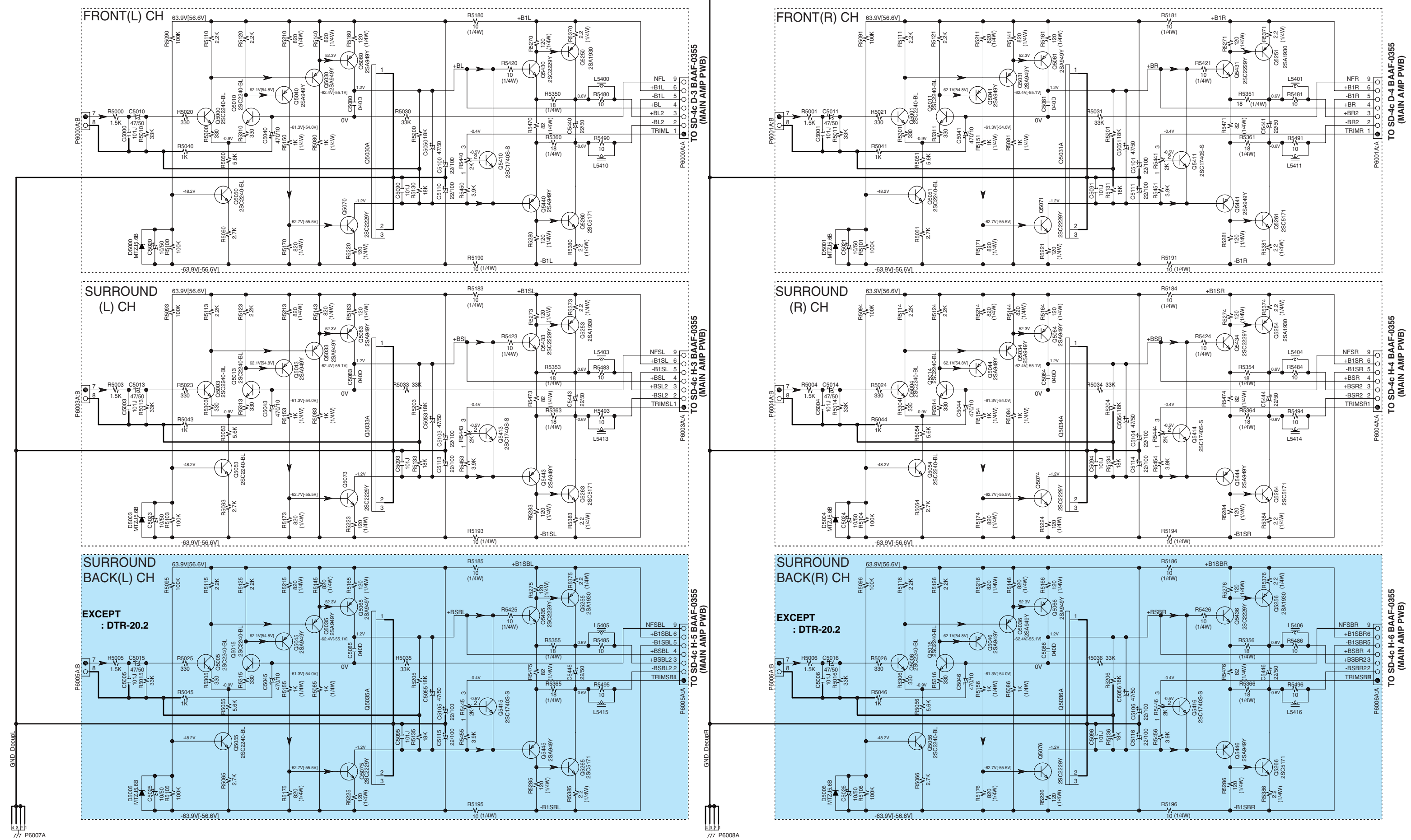
1. Set the voltages at "P6080/6081/6082" to 2.5mV by adjusting "R6040/6041/6042", under the condition of no input and no load, immediately after POWER ON.
2. Set the voltages at "P6083/6084/6085/6086" to 1.5mV by adjusting R6043/6044/6045/6046, under the condition of no input and no load, immediately after POWER ON.
3. Re-adjust by following procedure after 4-6 minutes of heat running.

	L/C/R (R604/6041/6042)		SL/SR/SBL/SBR (R6043/6044/6045/6046)	
Just after power on	2.5mV (SD-4c:P6080/6081/6082)		1.5mV (SD-4c:P6083/6084/6085/6086)	
4-6 minutes after power on	Below 9mV	9mV	Below 6mV	6mV
	Between 9-11mV	Leave it as it is.	Between 6-8mV	Leave it as it is.
	Over 11mV	11mV	Over 8mV	8mV

*Equip series 1/4W 100-ohm resistors near the terminal respectively in the each poles of the jig used for P6080-6086 terminals.



U0020 AMP. (INPUT) PC BOARD BACLA-0362

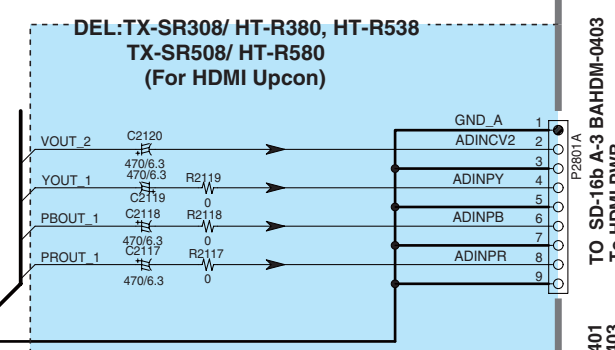
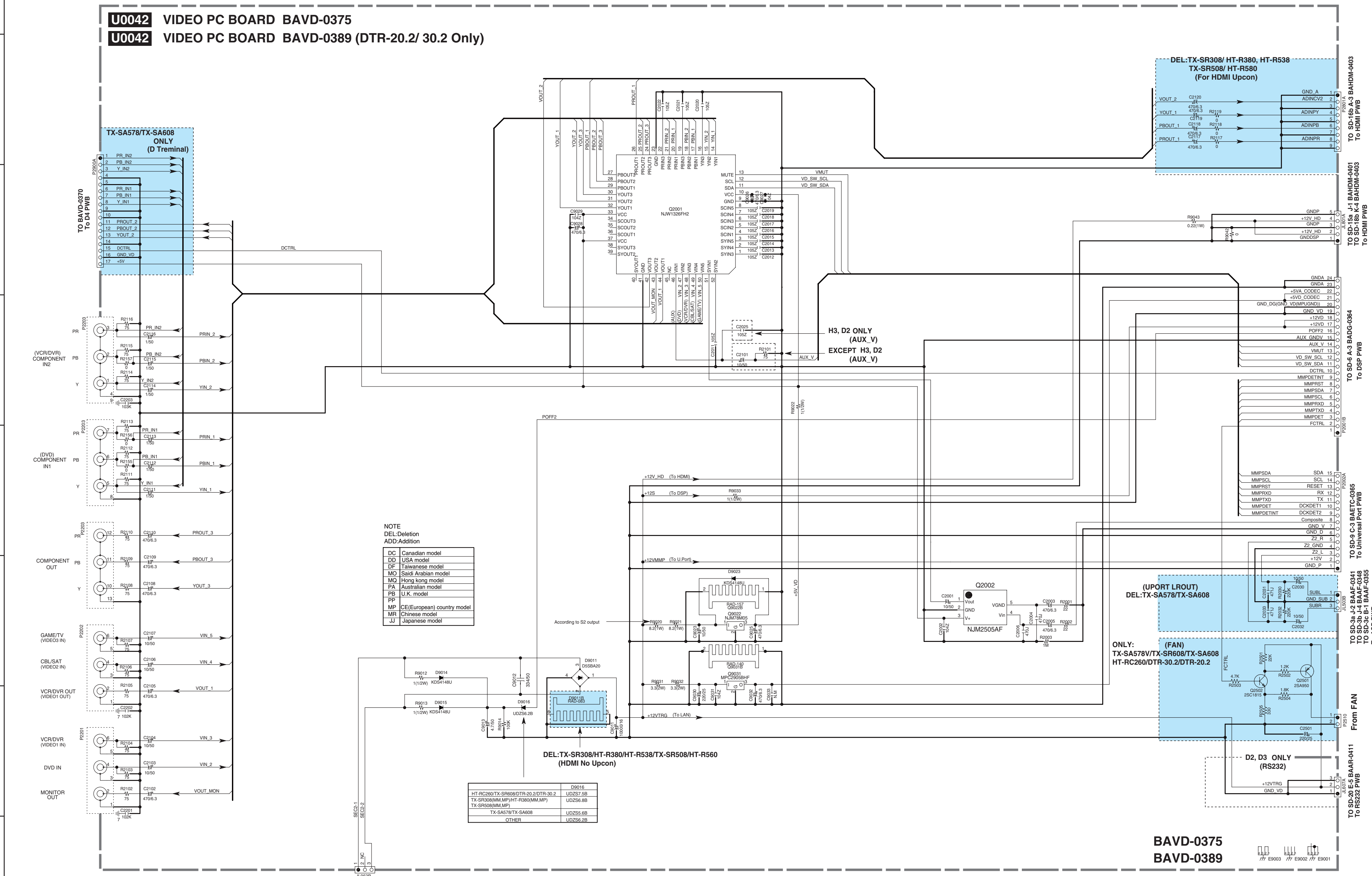


BACLA-0362

SCHEMATIC DIAGRAMS-7

Video Section

U0042 VIDEO PC BOARD BAVD-0375
U0042 VIDEO PC BOARD BAVD-0389 (DTR-20.2/ 30.2 Only)



H3, D2 ONLY
 (AUX_V)
 EXCEPT H3, D2
 (AUX_V)

NOTE
 DEL: Deletion
 ADD: Addition

DC	Canadian model
DD	USA model
DF	Taiwanese model
MO	Saudi Arabian model
MQ	Hong kong model
PA	Australian model
PB	U.K. model
PP	MP CE (European) country model
MR	Chinese model
JJ	Japanese model

HT-RC260/TX-SR608/DTR-20.2/DTR-30.2	D9016
TX-SR308/MM MP/HT-R380/MM MP	UDZ56.BB
TX-SR508/MM MP	UDZ56.BB
TX-SA578/TX-SA608	UDZ56.BB
OTHER	UDZ56.2B

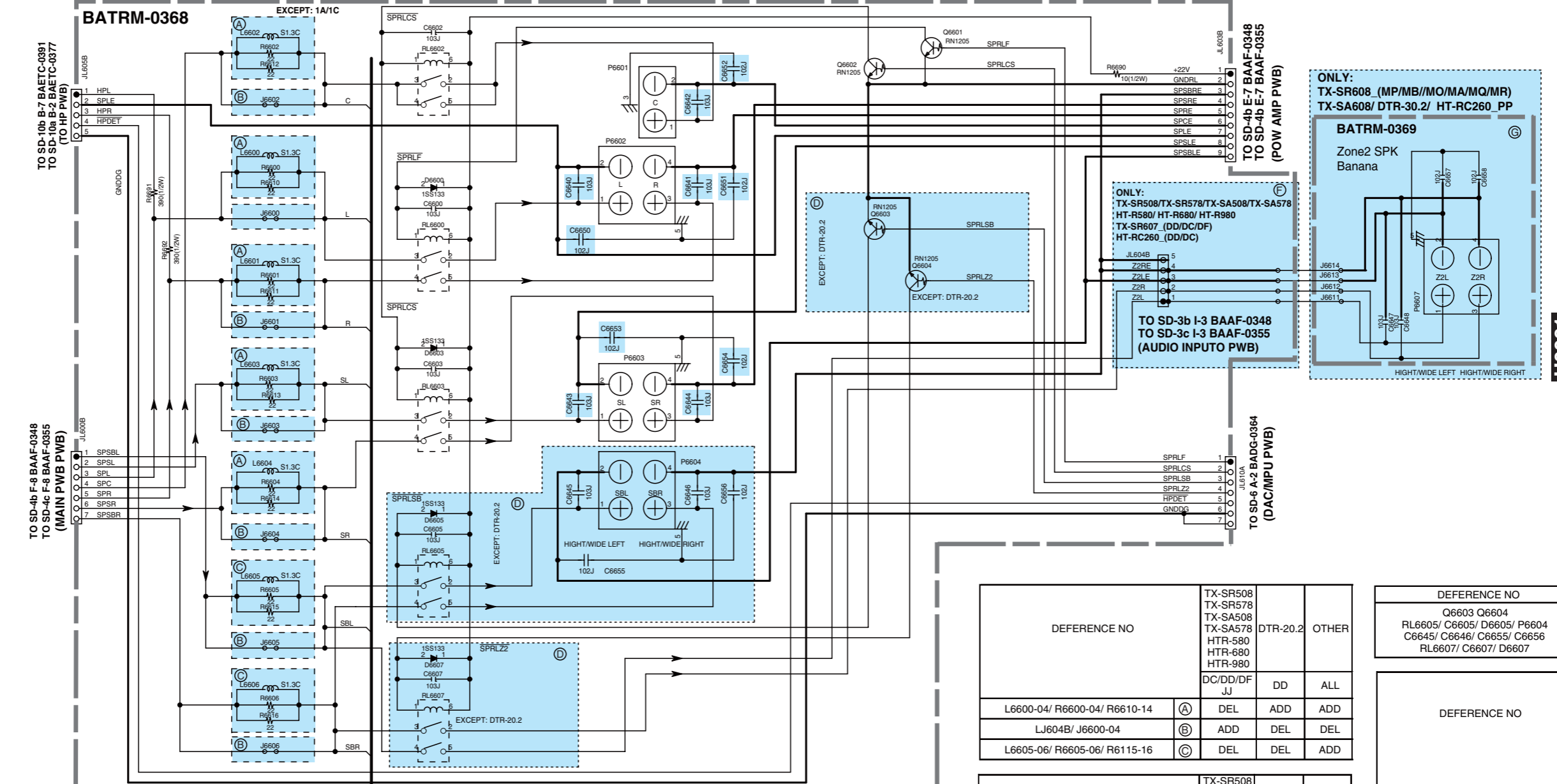
BAVD-0375
 BAVD-0389

TO SD-4a B-8 BAPS-0342
 TO SD-3b J-7 BAPS-0349
 TO SD-4c B-3 BAPS-0356
 To PTRANS FIX PWB

TO SD-16b A-3 BAHDM-0403
 To HDMI PWB
 TO SD-15a J-1 BAHDM-0401
 TO SD-16b K-4 BAHDM-0403
 To HDMI PWB
 TO SD-4 A-3 BADG-0364
 To DSP PWB
 TO SD-9 C-3 BAETC-0365
 To Universal Port PWB
 TO SD-3b J-4 BAAF-0348
 TO SD-3c B-1 BAAF-0365
 To ASP PWB
 TO SD-20 E-5 BAAR-0411
 To RS232 PWB

SCHEMATIC DIAGRAMS-8
SPEAKER OUTPUT SECTION

U0060 SP TERMINAL PC BOARD BATRM-0368

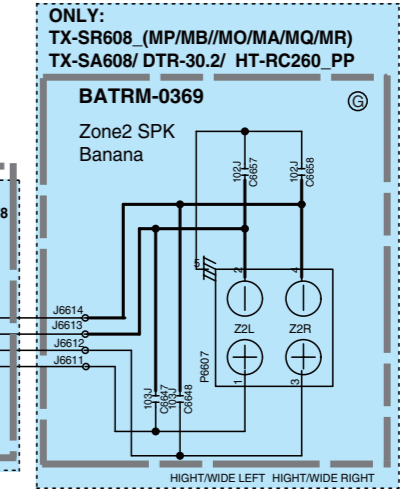


TO SD-10b B-7 BAETC-0381
TO SD-10a B-2 BAETC-0377
(TO HP PWB)

TO SD-4b F-8 BAAF-0348
TO SD-4c F-8 BAAF-0355
(MAIN PWB PWB)

TO SD-4b E-7 BAAF-0348
TO SD-4b E-7 BAAF-0355
(POW AMP PWB)

ONLY:
TX-SR508/TX-SR578/TX-SA508/TX-SA578
HT-R580/HT-R680/HT-R980
TX-SR607 (DD/DC/DF)
HT-RC260 (DD/DC)



ONLY:
TX-SR608 (MP/MB/MO/MA/MQ/MR)
TX-SA608/ DTR-30.2/ HT-RC260 PP

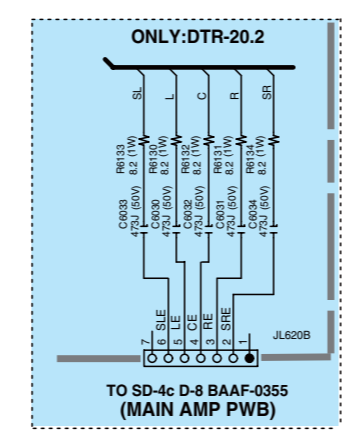
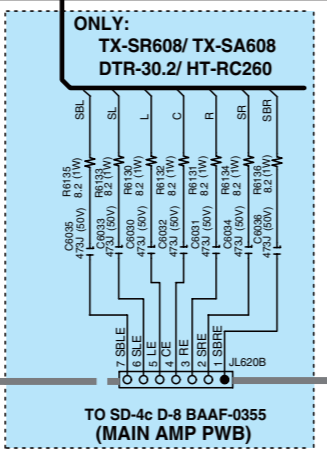
BATRM-0369
Zone2 SPK
Banana

TO SD-3b I-3 BAAF-0348
TO SD-3c I-3 BAAF-0355
(AUDIO INPUT PWB)

TO SD-6 A-2 BADG-0364
(DAC/MPU PWB)

NOTE
DEL: Deletion
ADD: Addition

DC	Canadian model
DD	USA model
DF	Taiwanese model
MO	Saudi Arabian model
MQ	Hong kong model
PA	Australian model
PB	
MB	U.K. model
PP	CE(European) country model
MR	Chinese model
JJ	Japanese model



REFERENCE NO	TX-SR508 TX-SR578 TX-SA508 TX-SA578 HTR-580 HTR-680 HTR-980	DTR-20.2	OTHER
L6600-04/ R6600-04/ R6610-14	(A)	DEL	ADD
LJ604B/ J6600-04	(B)	ADD	DEL
L6605-06/ R6605-06/ R6611-16	(C)	DEL	ADD

REFERENCE NO	TX-SR508 TX-SR578 TX-SA508 TX-SA578 HTR-580 HTR-680 HTR-980	DTR-20.2	OTHER
JL620B/ C6030-36/ R6103-36	(E)	DEL	ADD
JL620B/ C6030-34/ R6103-34	(H)	DEL	ADD

REFERENCE NO	TX-SR508 TX-SR578 TX-SA508 TX-SA578 HTR-580 HTR-680 HTR-980	TX-SR608 HT-RC260	DTR-20.2	OTHER
JL604B	(F)	ADD	ADD	DEL
P6607/ J6611-14B C6647/ C6648/ C6657/ C6658	(G)	DEL	DEL	ADD

REFERENCE NO	DT-R20.2	OTHER
C6603 Q6604 RL6605/ C6605/ D6605/ P6604 C6645/ C6646/ C6655/ C6656 RL6607/ C6607/ D6607	(D)	DEL

REFERENCE NO	TX-SR508 TX-SR578 TX-SR608 DTR-30.2 HT-RC260 HTR-680 HTR-980	OTHER
C6640-44/ C6650-54	PP/PB/MO MQ/MR/MP	ADD

U0061
Z2 SP TERMINAL (Banana) PC BOARD
BATRM-0369

A

B

C

D

E

SCHEMATIC DIAGRAMS-9

U. Port Unit Section

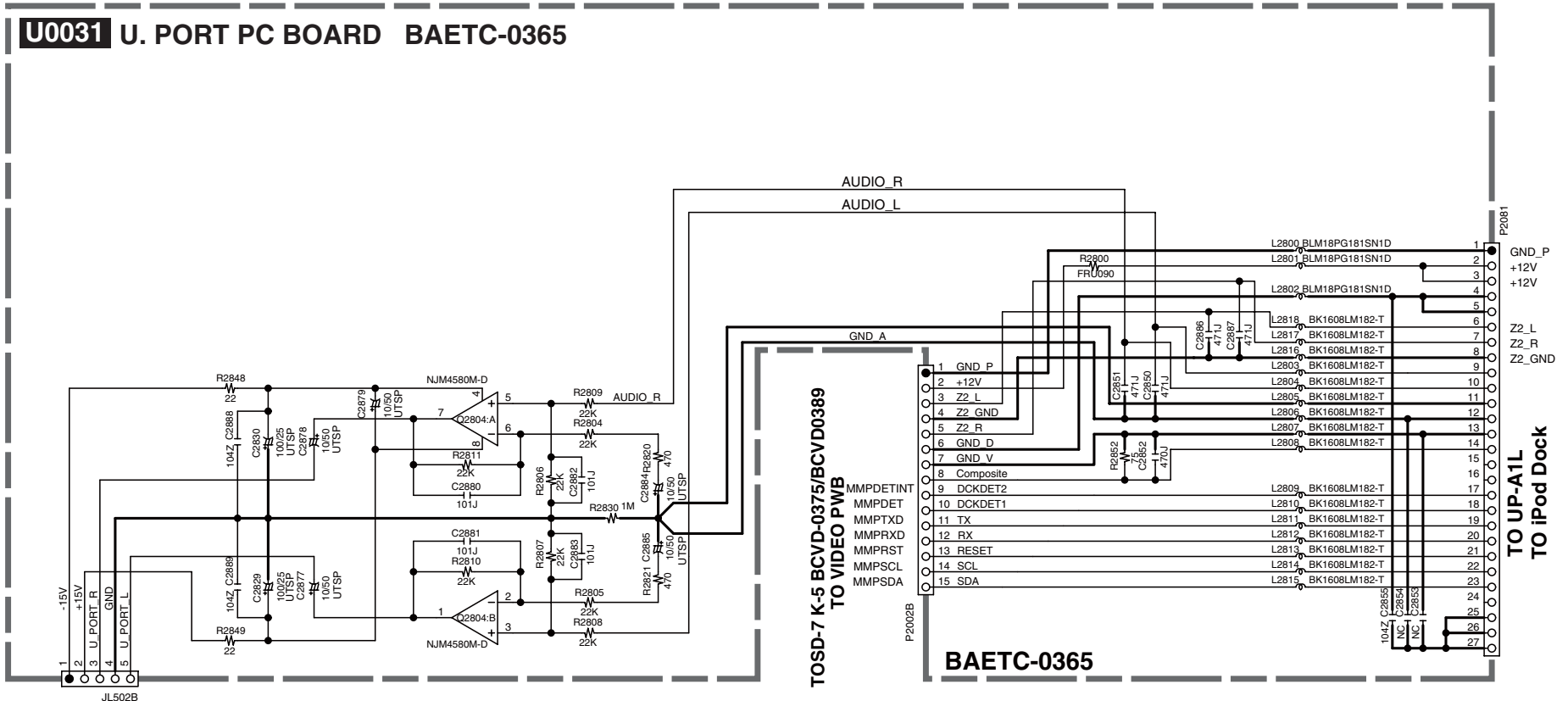
1

2

3

4

U0031 U. PORT PC BOARD BAETC-0365



- TO SD-3a C-2 BAAF-0341
- TO SD-3b C-2 BCAF-0348
- TO SD-3c C-2 BCAF-0355
- TO Audio Input PWB

TOSD-7 K-5 BCVD-0375/BCVD0389
TO VIDEO PWB

BAETC-0365

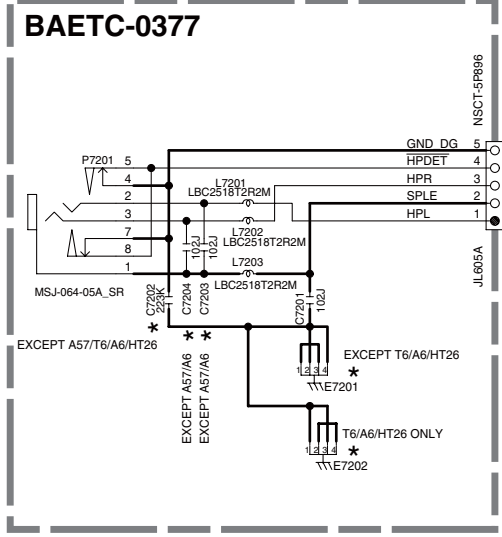
TO UP-A1L
TO iPod Dock

SCHEMATIC DIAGRAMS-10a

Display Section

1

U0044 HP PC BOARD BAETC-0377



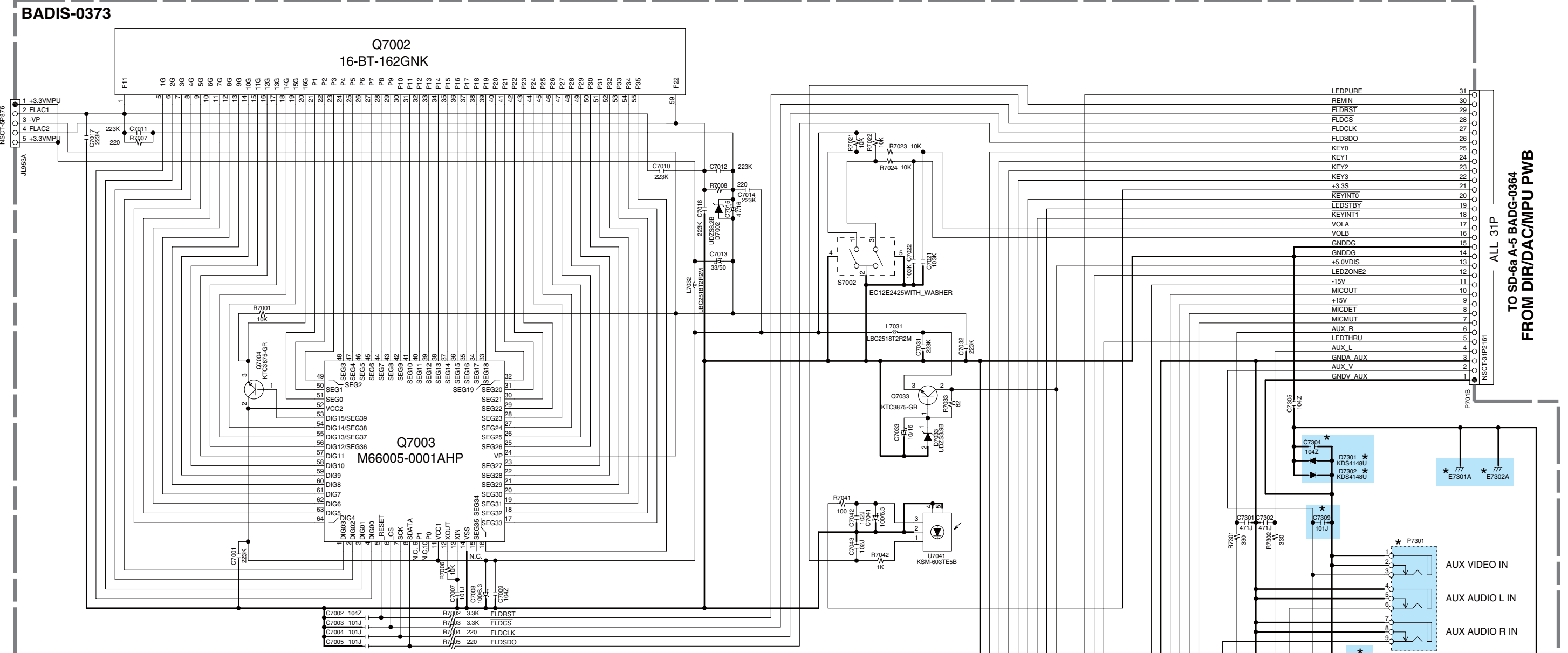
TO SD-8 B-1 BAFTRM-0368
FROM SP-OUT PWB
TO SD-4a K-4 BAAF-0341
FROM AMP PWB

TO -VP PWB
TO SD-3a C-7 BAPS-0342
TO SD-3b C-7 BAPS-0349
TO SD-3c C-7 BAPS-0356

NOTE
DEL: Deletion
ADD: Addition

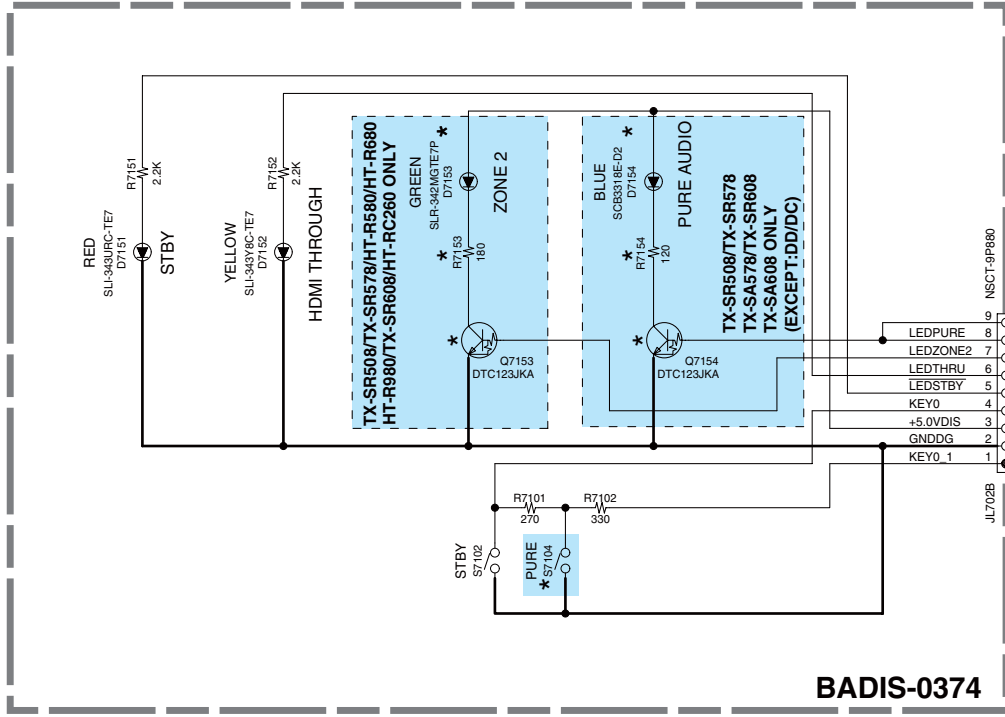
DC	Canadian model
DD	USA model
DF	Taiwanese model
MO	Saudi Arabian model
MQ	Hong kong model
PA	Australian model
PB	
MB	U.K. model
PP	
MP	CE(European) country model
MR	Chinese model
JJ	Japanese model

U0040 DISPLAY PC BOARD BADIS-0373



TO SD-6a A-5 BADG-0364
FROM DIR/DAC/MPU PWB

U0041 KEY SWITCH PC BOARD BADIS-0374



BADIS-0374

CODE	S7104
HT-R980	THX
TX-SR308/HT-R280/HT-R380/HT-R538 HT-R580/HT-R680/C230	MUSIC OPTIMIZER
TX-SR508/HT-R578/HT-R608 (EXCEPT DC-DD)	PURE AUDIO
TX-SA578/HT-SA608	DEL
TX-SR608/HT-RC260 (DC-DD)	

TX-SR308 HT-R280/380/538/C230	S7106	S7108
TX-SR508/578/608 HT-R580/680/980/C260 TX-SA578/578V/608	SP-A	SP-B
	ZONE-2	ZONE-2
	RIHD	MUSIC OPTIMIZER

DEL: TX-SR608/TX-SA608/HT-RC260

ONLY: TX-SR608/TX-SA608/HT-RC260

TX-SA578/578V TX-SA608	S7134	S7132
Others	CINEMA FILTER Re-EO	LATE NIGHT LATE NIGHT
	MEMORY	TUNING

CODE	R7106	R7107	R7108	R7109	R7110	R7130
DEL-HT-RC260	270	330	470	560	820	0
ADD-HT-RC260	0	270	330	470	560	820

TX-SR608 TX-SA608 HT-RC260	TX-SR308 HT-R380 HT-R538	OTHERS
C7304 C7306 C7309 D7301 D7302	ADD	ADD
E7301A	DEL	ADD
E7301	ADD	DEL
P7312 R7305	ADD	DEL
P7311 R7304	DEL	ADD
P7302	ADD	DEL
P7301	DEL	ADD

8

SCHEMATIC DIAGRAMS-11


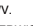
Power Supply Sectio

U0043 POWER SUPPLY PC BOARD BAETC-0376/ BAETC-0390

<NOTE>

DC	Canadian model
DD	USA model
DF	Taiwanese model
MO	Saudi Arabian model
MQ	Hong kong model
PA	Australian model
PB	
MB	U.K. model
PP	
MP	CE(European) country model
MR	Chinese model
JJ	Japanese model

- ・印は火災、感電の危険に關する部品の為、必ず指定部品を使用の事。
- ・電圧表示は無信号時に測定した直流電圧を示す。
(単位V、入力抵抗100KΩ/V以上の電圧計)
- ・記入なきコンデンサの単位はμF/VVである。
例 030→3pF 330→33pF 331→330pF 333→0.033μF
- ・本配線図は基本配線図につき性能改善等により予告なく変更する事がある。

- * THE COMPONENTS IDENTIFIED BY MARK  ARE CRITICAL FOR SAFETY. REPLACE ONLY WITH PART NUMBER SPECIFIED.
- * VOLTAGE (MEASURED WITH VOLT METER) IS DC VOLTAGE. (NO INPUT SIGNAL)
- * ELECTROLYTIC CAPACITORS () ARE IN μF/VV.
- * ALL CAPACITORS ARE IN pF/50V UNLESS OTHERWISE NOTED.
- E X) 030→3pF 330→33pF 331→330pF 333→0.033μF
- * CIRCUIT IS SUBJECT TO CHANGE FOR IMPROVEMENT.

CAUTION



FOR CONTINUED PROTECTION AGAINST FIRE HAZARD, REPLACE ONLY WITH FUSE OF SAME TYPE AND RATING INDICATED.

ATTENTION



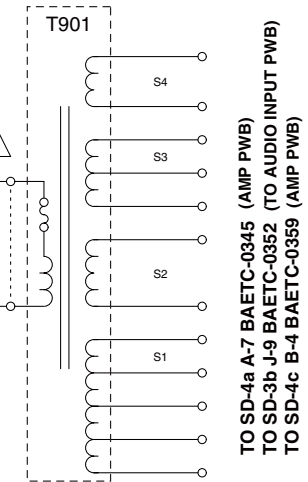
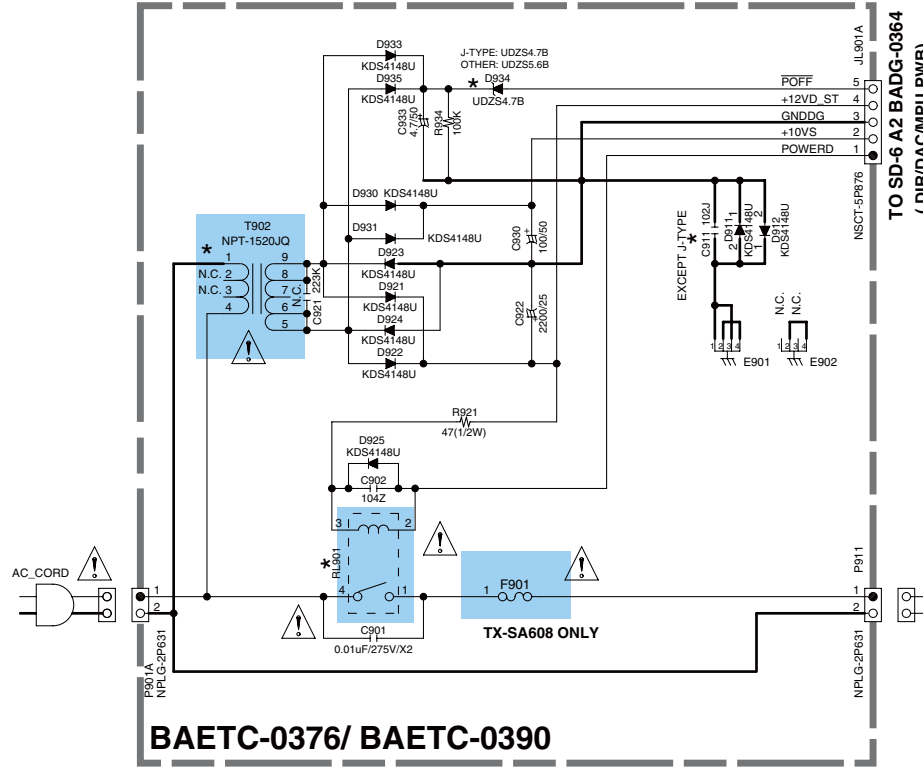
CAUTION AFIN D'ASSURER UNE PROTECTION PERMANENTE CONTRE LES RISQUES D'INCENDIE, REMPLACER UNIQUEMENT PAR UN FUSIBLE DE MEME TYPE ET CALIBRATION COMME INDIQUE.



THIS SYMBOL LOCATED NEAR THE FUSE INDICATES THAT THE FUSE USED IS SLOW OPERATING TYPE FOR CONTINUED PROTECTION AGAINST FIRE FUSE HAZARD. REPLACE WITH SAME TYPE FUSE. FOR FUSE RATING REFER TO THE MAKING ADJACENT TO THE SYMBOL.



CE SYMBOLE INDIQUE QUE LE FUSIBLE UTILISE EST A LENT, E POUR UNE PROTECTION PERMANENTE. N'UTILISER QUE DES FUSIBLES DE MEME TYPE. CE DERNIER EST INDIQUE LA OU LE PRESENT SYMBOLE EST APPOSE.



<T902>

TYPE	TX-SR308/HT-R380 TX-SR508/HT-R580 TX-SR578/TX-SR608 DTR-30.2	HT-R680/HTR-980 HT-RC260 DTR20.2	HT-R538	TXSA578 TX-SA608
DC/ DD/ DF	NPT-1520JQ	NPT-1520JQ	---	---
MO/ MQ/ MR/ PA/ PP/ PB	NPT-1520GQ	---	NPT-1520GQ	---
JJ	---	---	---	NPT-1520JQ

<F901>

DC/ DD/ DF	8A 125V	8A 125V	---	---
MO/ MQ/ MR/ PA/ PP/ PB	T4A L250V	---	T4A L250V	---
JJ	---	---	---	10A 125V

<RL901>

DC/ DD/ DF	NRL-1P5A	NRL-1P5A	---	---
MO/ MQ/ MR/ PA/ PP/ PB	NRL-1P5A	---	NRL-1P5A	---
JJ	---	---	---	NRL-1P10A

<T901>

TYPE	DD/ DC/ DF	PA/ PP/ PB	MO/ MQ/ MR	JJ
TX-SR308 HT-R380 HT-R538	NPT-1589D	NPT-1589P	NPT-1589M	---
TX-SR508 TX-SR578 TX-SA578 HT-R580 HT-R680 HT-R980	NPT-1594D	NPT-1594P	NPT-1594M	NPT-1594J
TX-SR608 HT-RC260 DTR-20.2 DTR-30.2	NPT-1592D	NPT-1592M	NPT-1592M	NPT-1592J

1

2

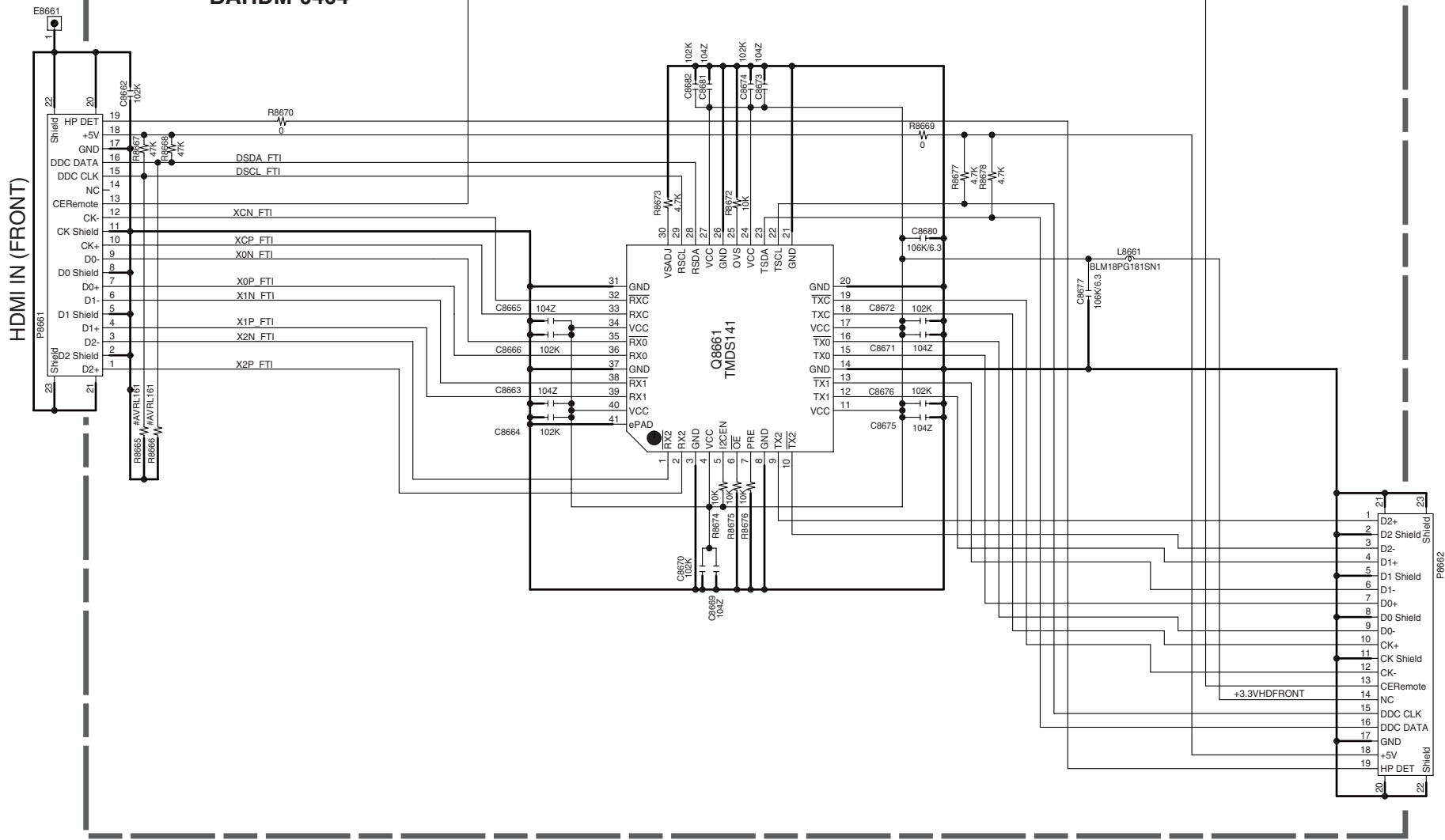
3

4

SCHEMATIC DIAGRAMS-14
FRONT HDMI SECTION

1
2
3
4

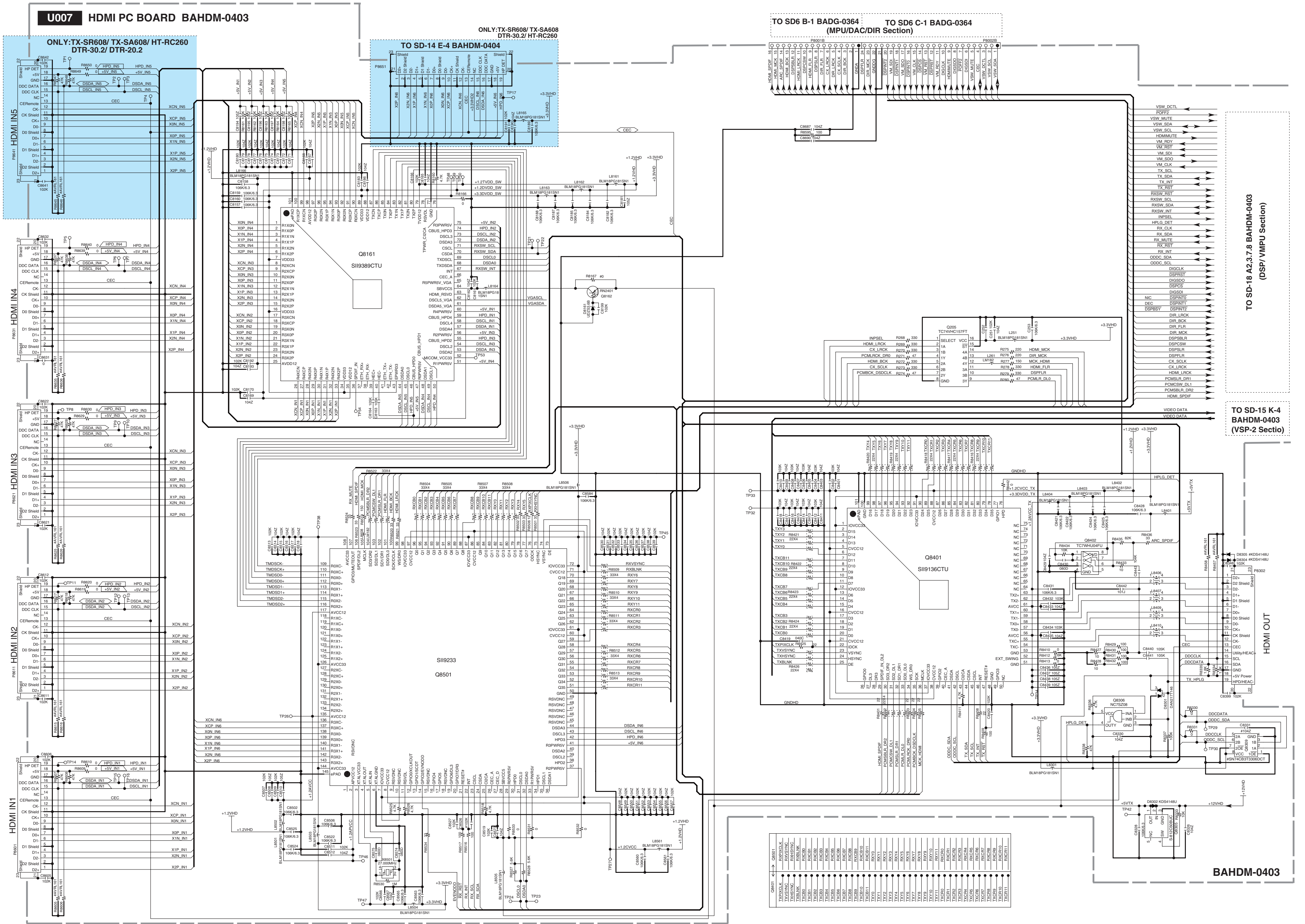
U0071 FRONT HDMI PC BOARD
BAHDM-0404



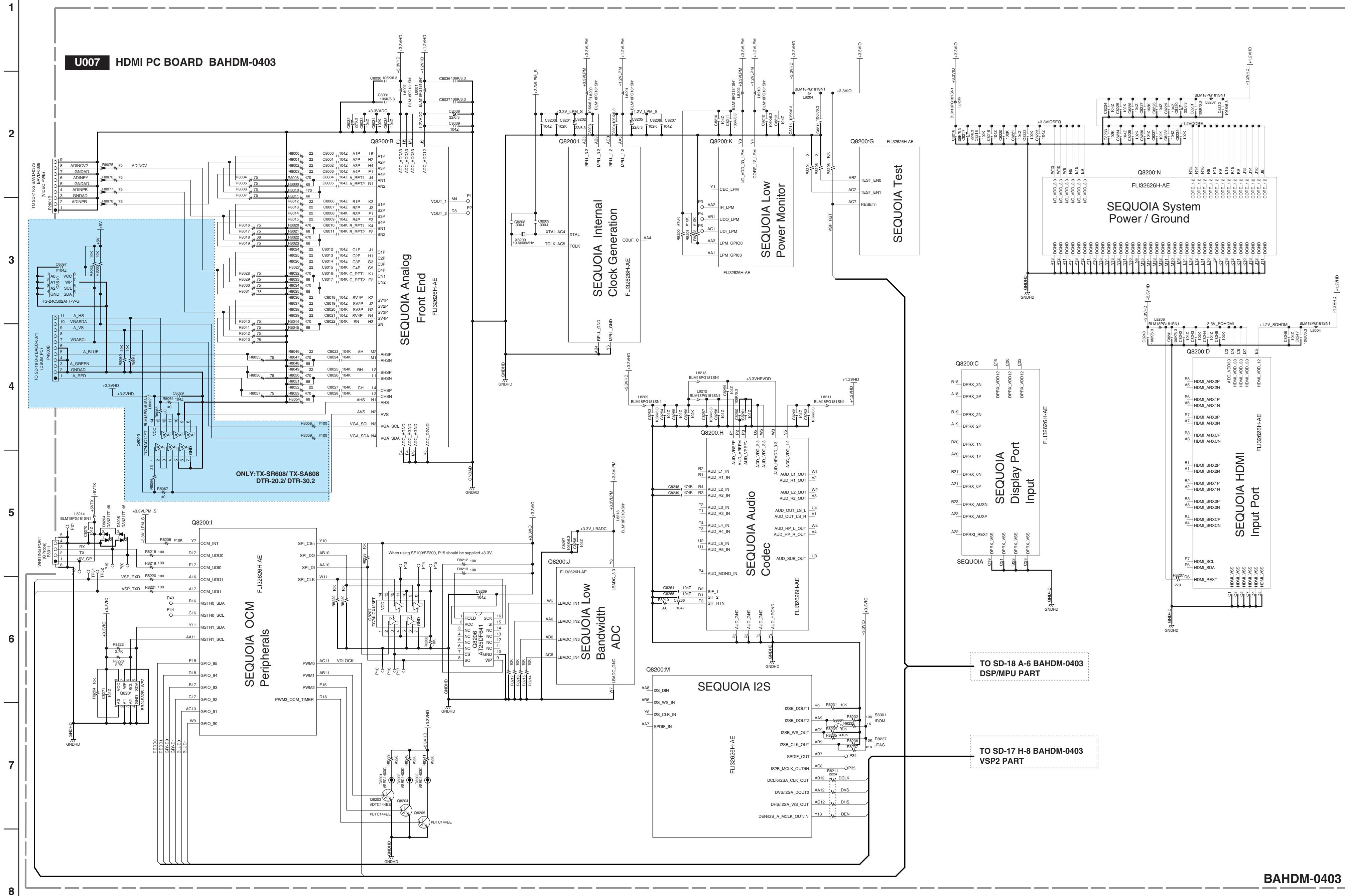
TO SD-15 D-2 BAHDM-0403

SCHEMATIC DIAGRAMS-15
HDMI RX_TX SECTION

1
2
3
4
5
6
7
8



SCHEMATIC DIAGRAMS-16
HDMI VSP-1 SECTION



SCHEMATIC DIAGRAMS-17

HDMI VSP 2 SECTION

1

2

3

4

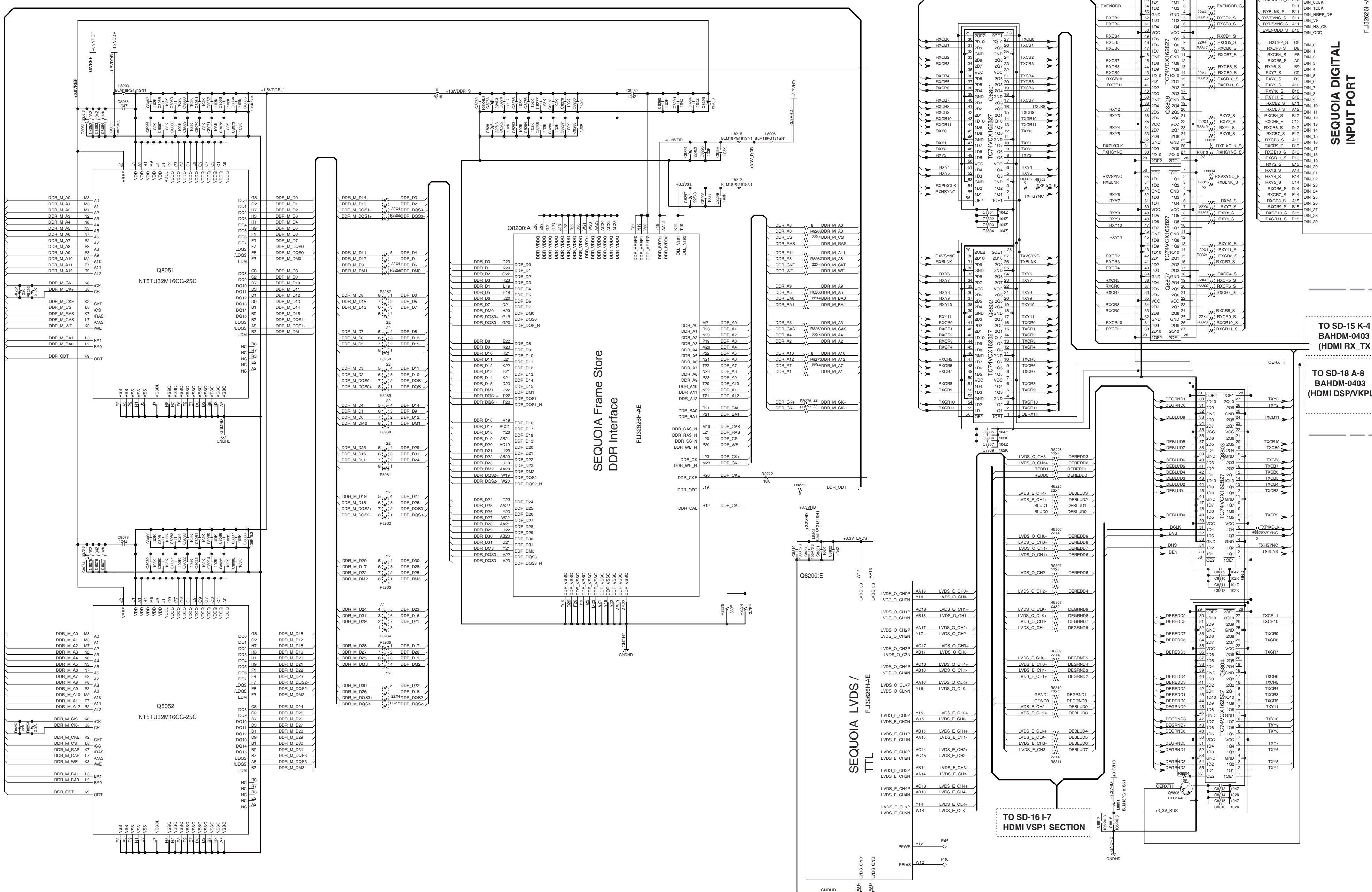
5

6

7

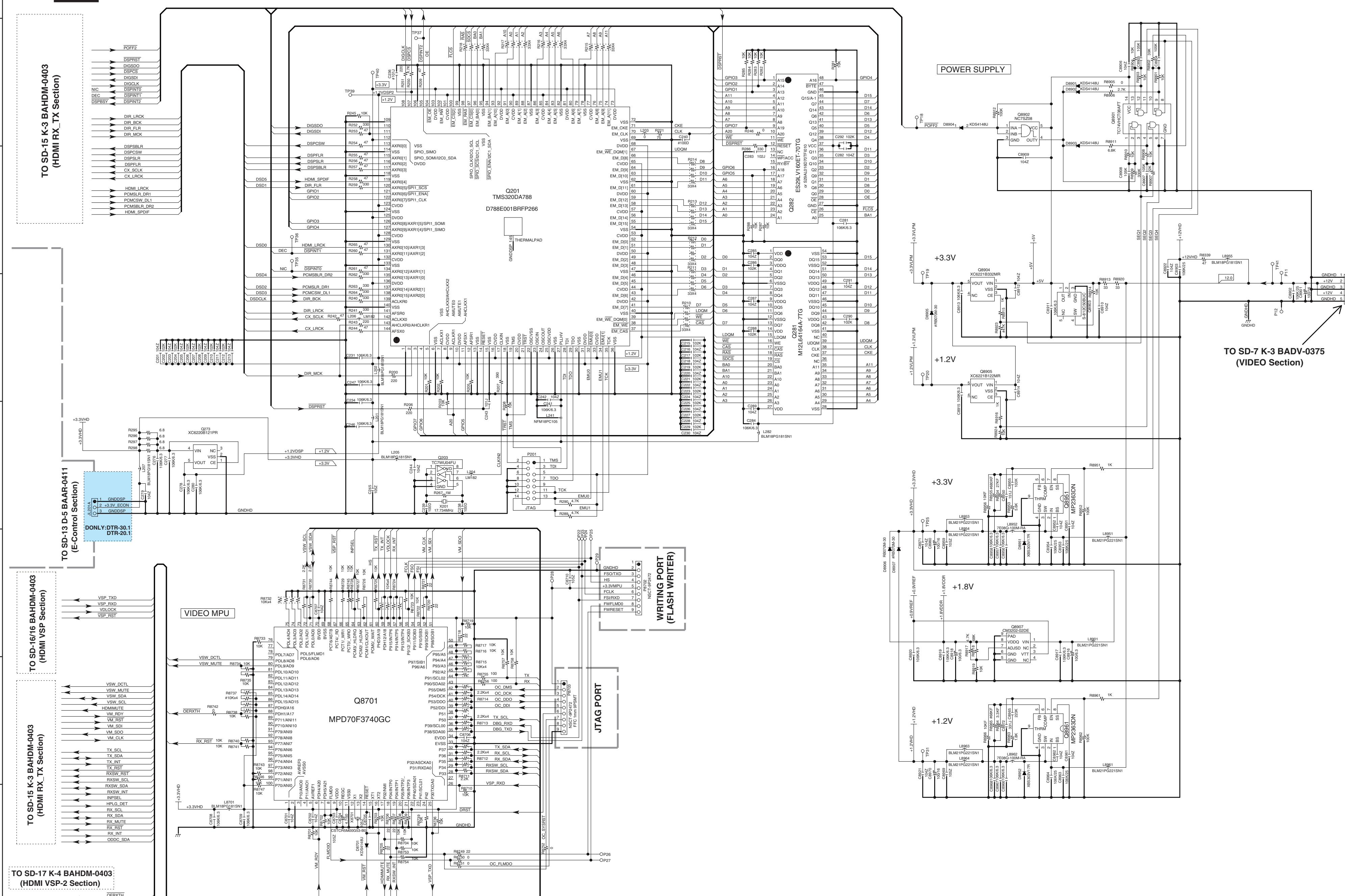
8

U007 HDMI PC BOARD BAHDM-0403



SCHEMATIC DIAGRAMS-18
DSP/VMPU SECTION

U007 HDMI PC BOARD BAHDM-0403



A

B

C

D

E

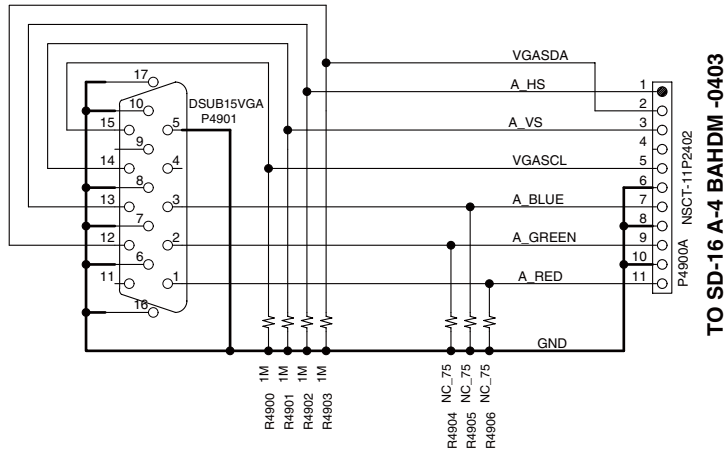
SCHEMATIC DIAGRAMS-19
D-SUB SECTION

1

U0063 DSUB PC BOARD

BAETC-0371

2



TO SD-16 A-4 BAHDM -0403

3

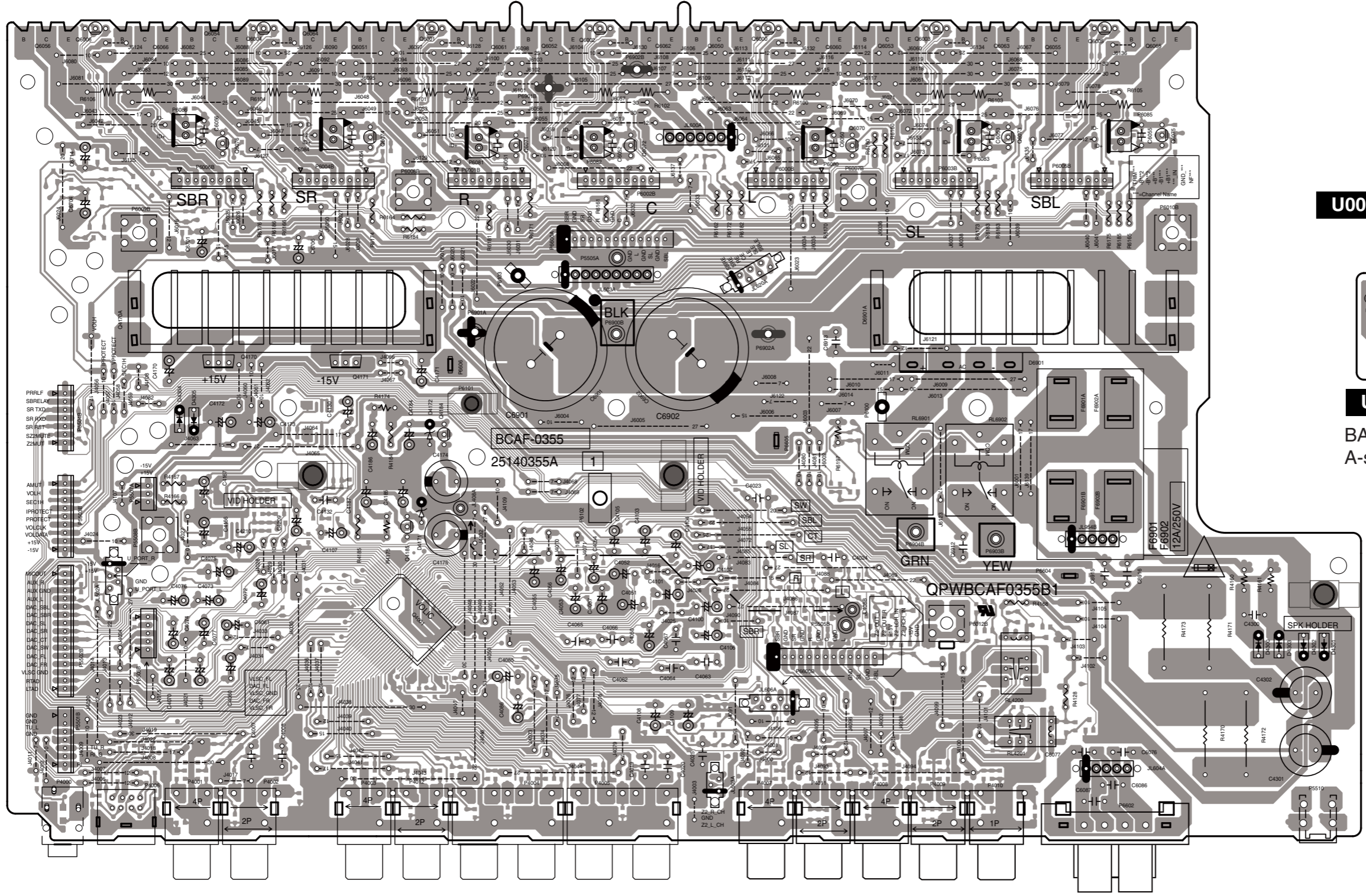
4

A B C D E F G H

PRINTED CIRCUIT BOARD VIEWS-1_1
AMPLIFIER SECTION

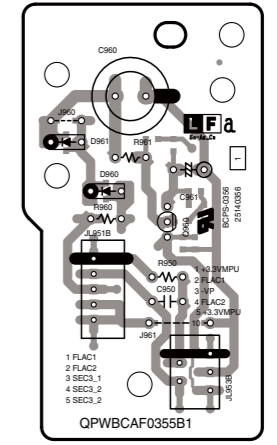
1

U0010 BAAF-0355 (AMPLIFIER PC BOARD)
A-side(Component side)



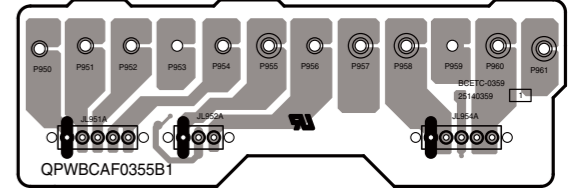
2

U0011 BAPS-0356 (FL TUBE -VP PC BOARD)
A-side(Component side)



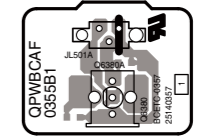
3

U0014 BAETC-0359 (TRANS TRM PC BOARD)
A-side(Component side)



4

U0012 BAETC-0357 (THERMAL SEN PC BOARD)
A-side(Component side)



5

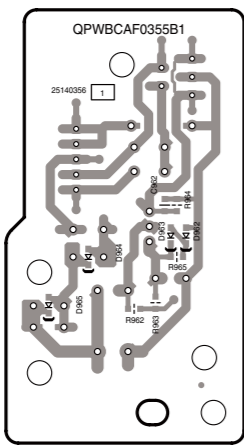
A B C D E F G H

PRINTED CIRCUIT BOARD VIEWS-1_2
AMPLIFIER SECTION

1

U0011

BAPS-0356 (FL TUBE -VP PC BOARD)
B-side(Soldering side)



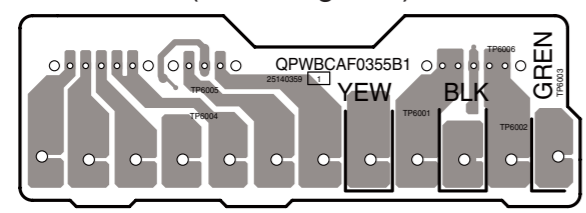
U0010

BAAF-0355 (AMPLIFIER PC BOARD)
B-side(Soldering side)

2

U0014

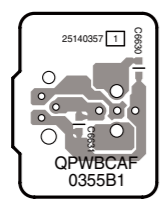
BAETC-0359 (TRANS TRM PC BOARD)
B-side(Soldering side)



3

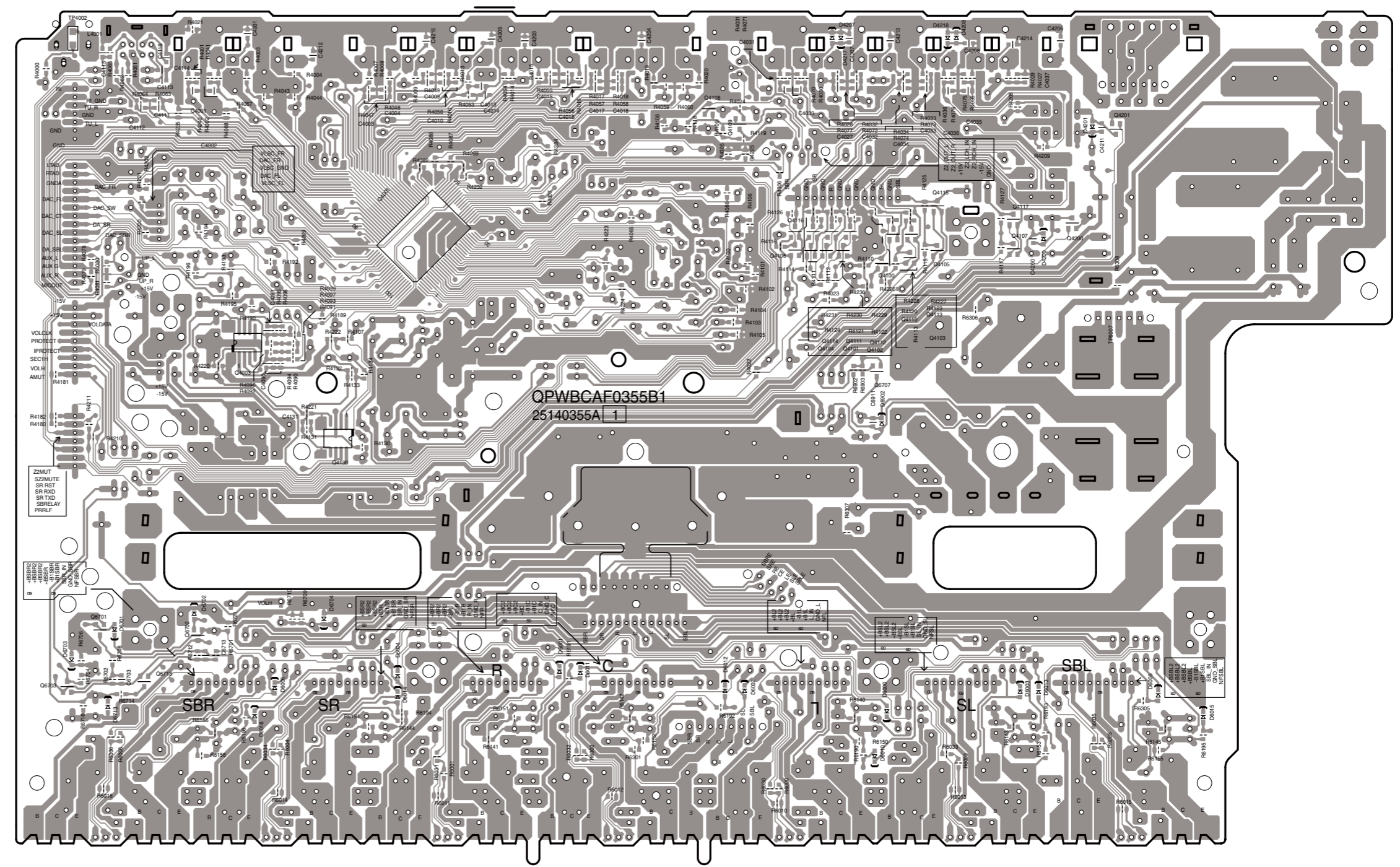
U0012

BAETC-0357 (THERMAL SEN PC BOARD)
B-side(Soldering side)



4

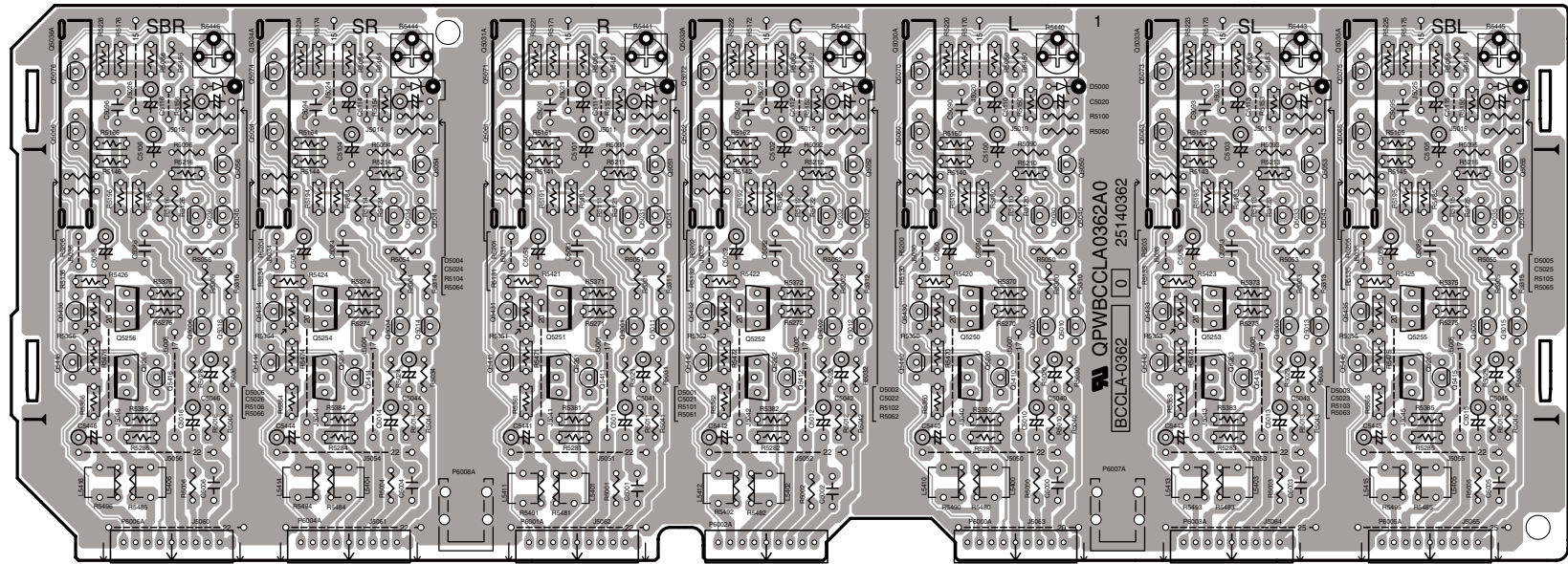
5



PRINTED CIRCUIT BOARD VIEWS-2 AMPLIFIER SECTION

U0020

BACLA-0362 (AMPLIFIER_CLA PC BOARD)
Side-B (Soldering side)

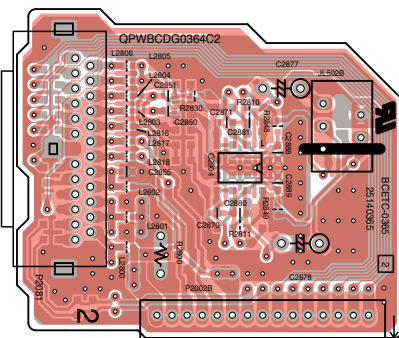


**PRINTED CIRCUIT BOARD VIEWS-3
DAC/ MPU SECTION**

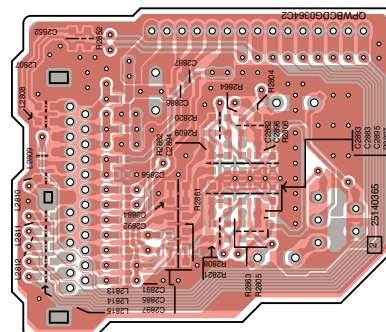
A B C D E F G H

1

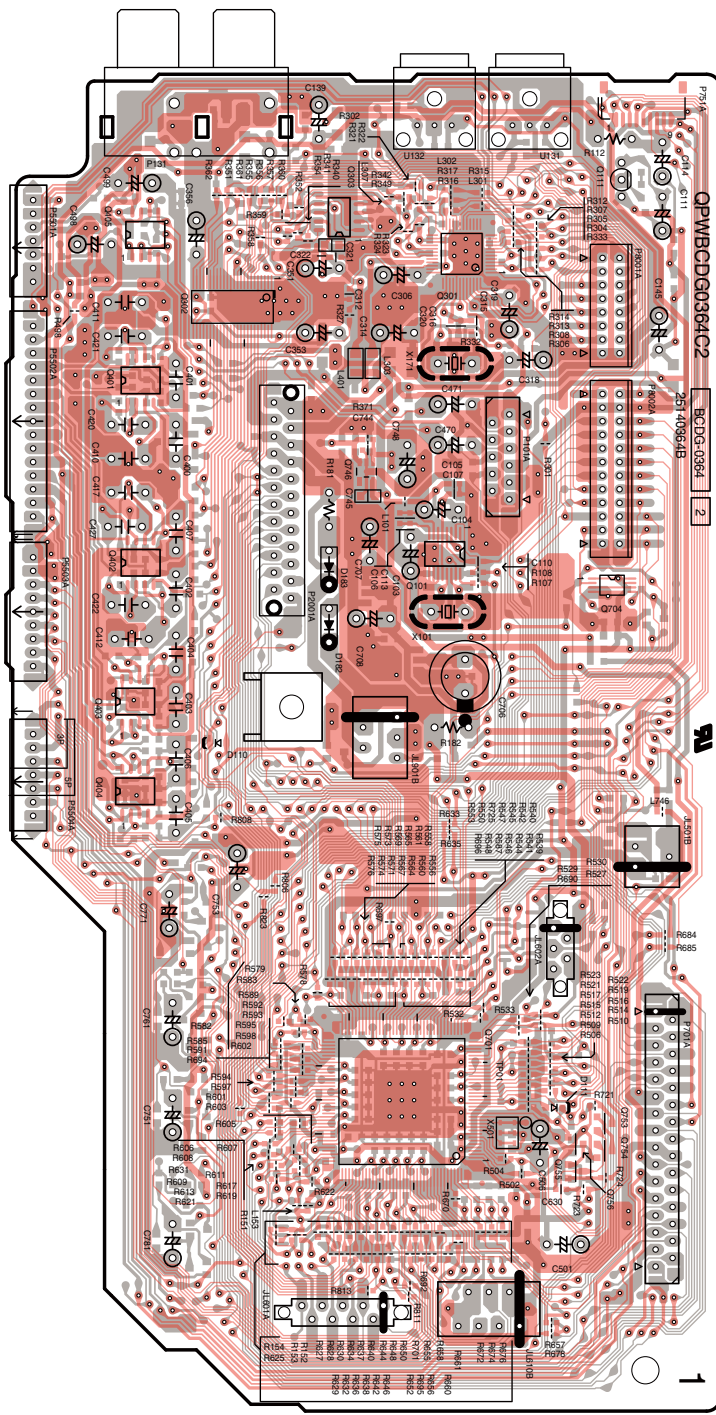
U0031
BAETC-0365 (U-PORT PC BOARD)
A-side(Component side)



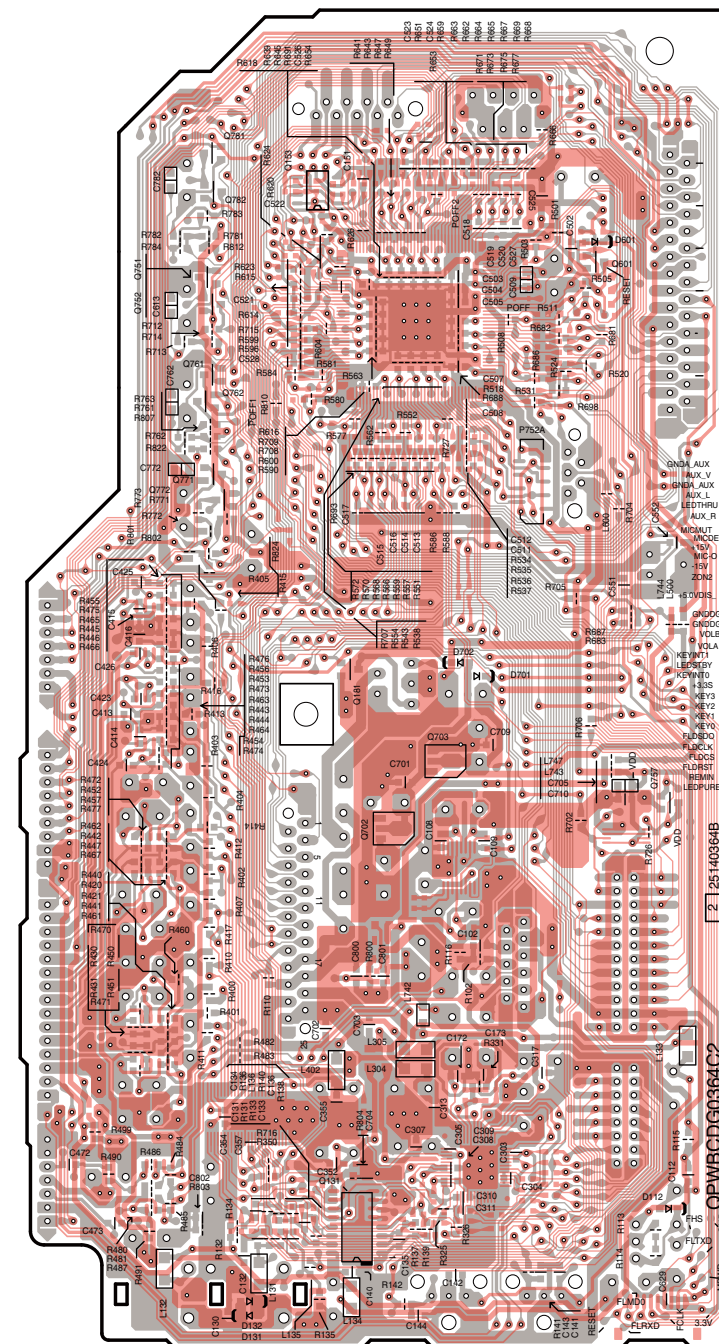
U0031
BAETC-0365 (U-PORT PC BOARD)
B-side(Soldering side)



U0030 BADG-0364 (MPU/DAC PC BOARD)
A-side(Component side)

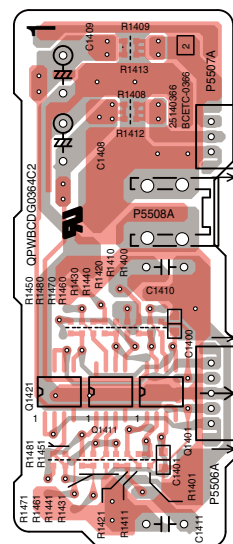


U0030 BADG-0364 (MPU/DAC PC BOARD)
B-side(Soldering side)

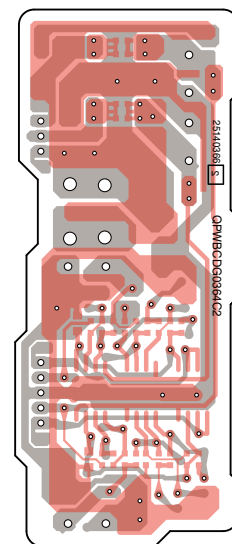


2

U0032 Japanese Model Only
BAETC-0366 (VLSC PC BOARD)
A-side(Component side)



U0032 Japanese Model Only
BAETC-0366 (VLSC PC BOARD)
B-side(Soldering side)



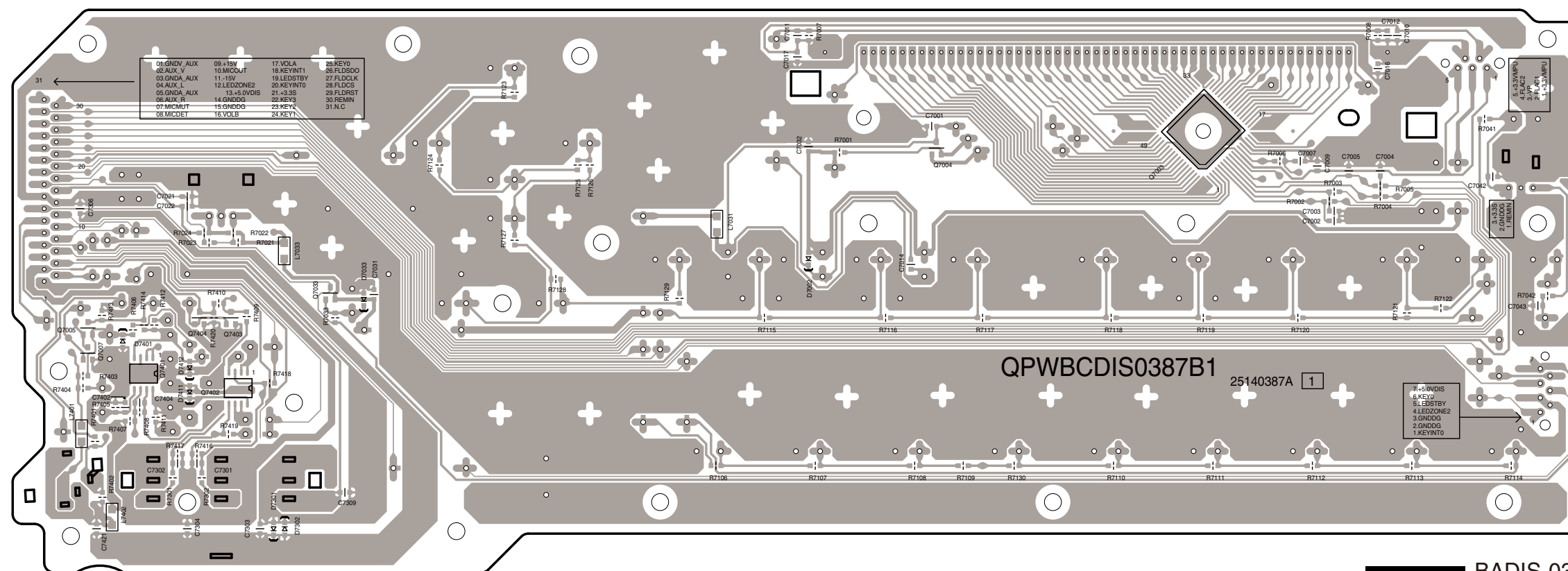
3

4

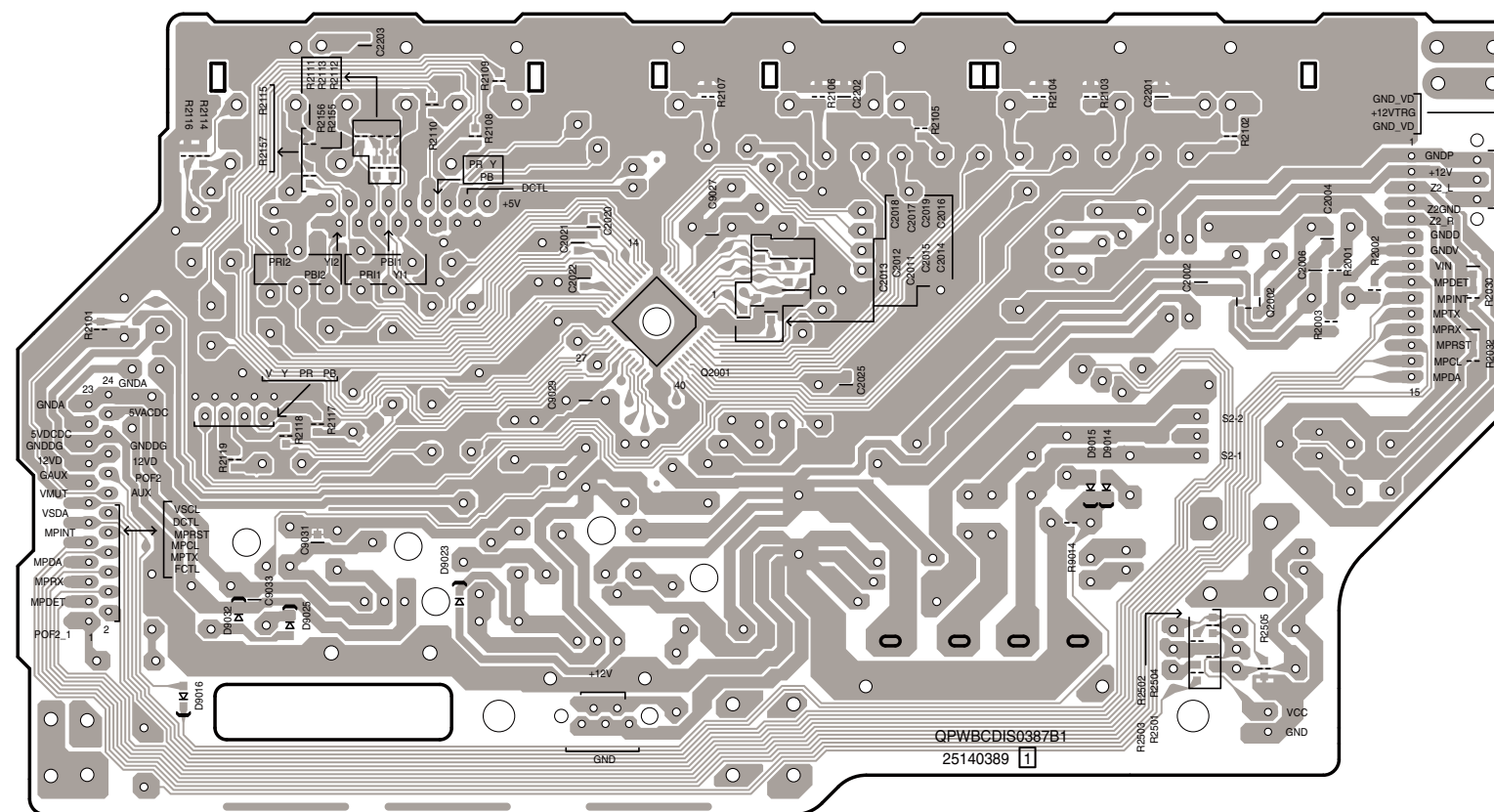
5

**PRINTED CIRCUIT BOARD VIEWS-4_2
DISPLAY SECTION**

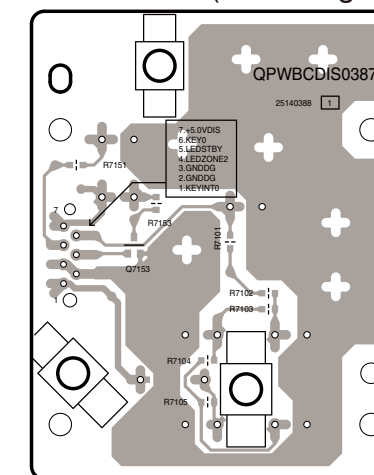
U0040 BADIS-0387 (DISPLAY PC BOARD)
B-side(Soldering side)



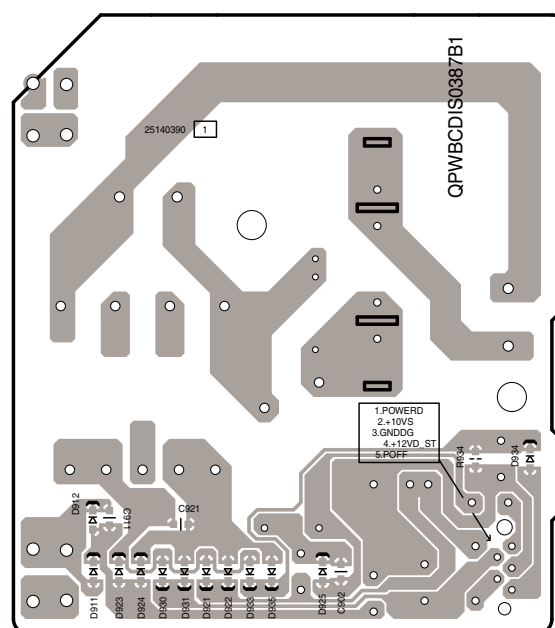
U0042 BADIS-0389 (VIDEO PC BOARD)
B-side(Soldering side)



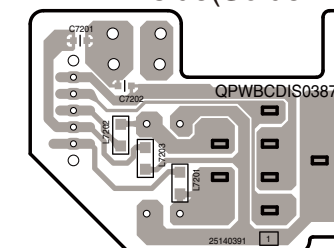
U0041 BADIS-0388 (STANDBY KEY/LED PC BOARD)
B-side(Soldering side)



U0043 BAETC-0390 (POW SUPPLY PC BOARD)
B-side(Soldering side)



U0044 BAETC-0391 (HP JACK PC BOARD)
B-side(Soldering side)



1

2

3

4

5

PRINTED CIRCUIT BOARD VIEWS-6 SP-TRM SECTION

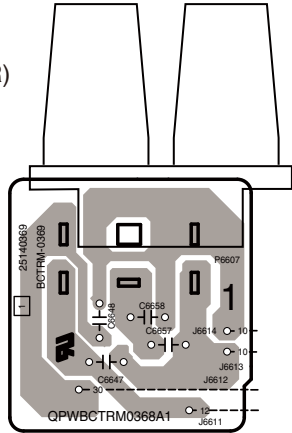
U0061

BATRM-0369 (Z2 SP-TRM PC BOARD)
B-side(Soldering side)

ONLY:
TX-SR608_(MP/MB/MO/MA/MQ/MR)
TX-SA608/ DTR-30.2

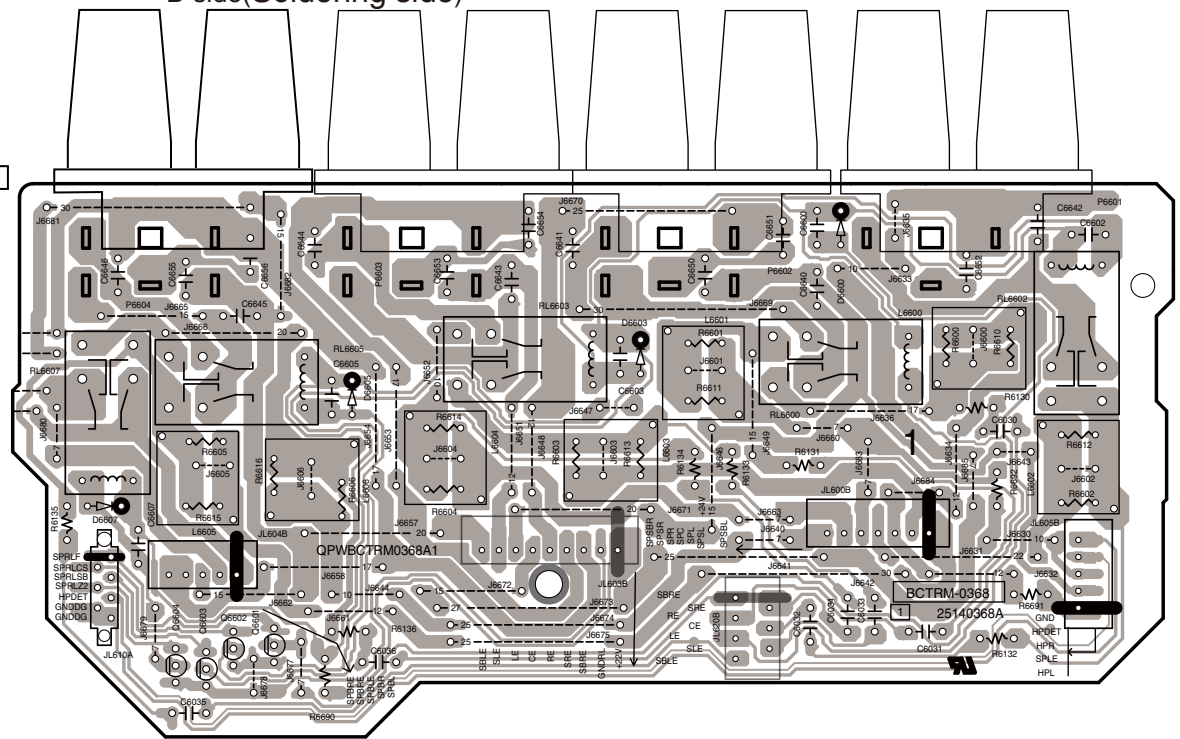
NOTE

MO	Saudi Arabian model
MQ	Hong kong model
MA	Australian model
MB	U.K. model
PP/MP	CE(European) country model
MR	Chinese model



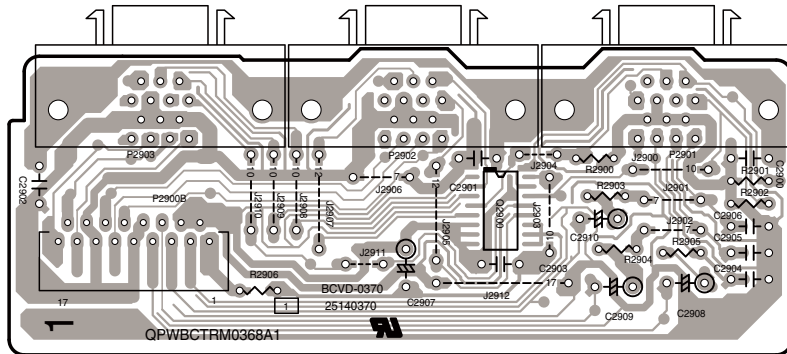
U0060

BATRM-0368 (SP-TRM PC BOARD)
B-side(Soldering side)



U0062 Japanese Model Only

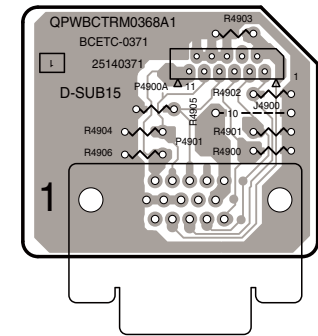
BAVD-0370 (D-TRM PC BOARD)
B-side(Soldering side)



U0063

BAETC-0371 (D-SUB PC BOARD)
B-side(Soldering side)

Only:
TX-SA608/ TX-SR608
DTR-20.2/ DTR-30.2



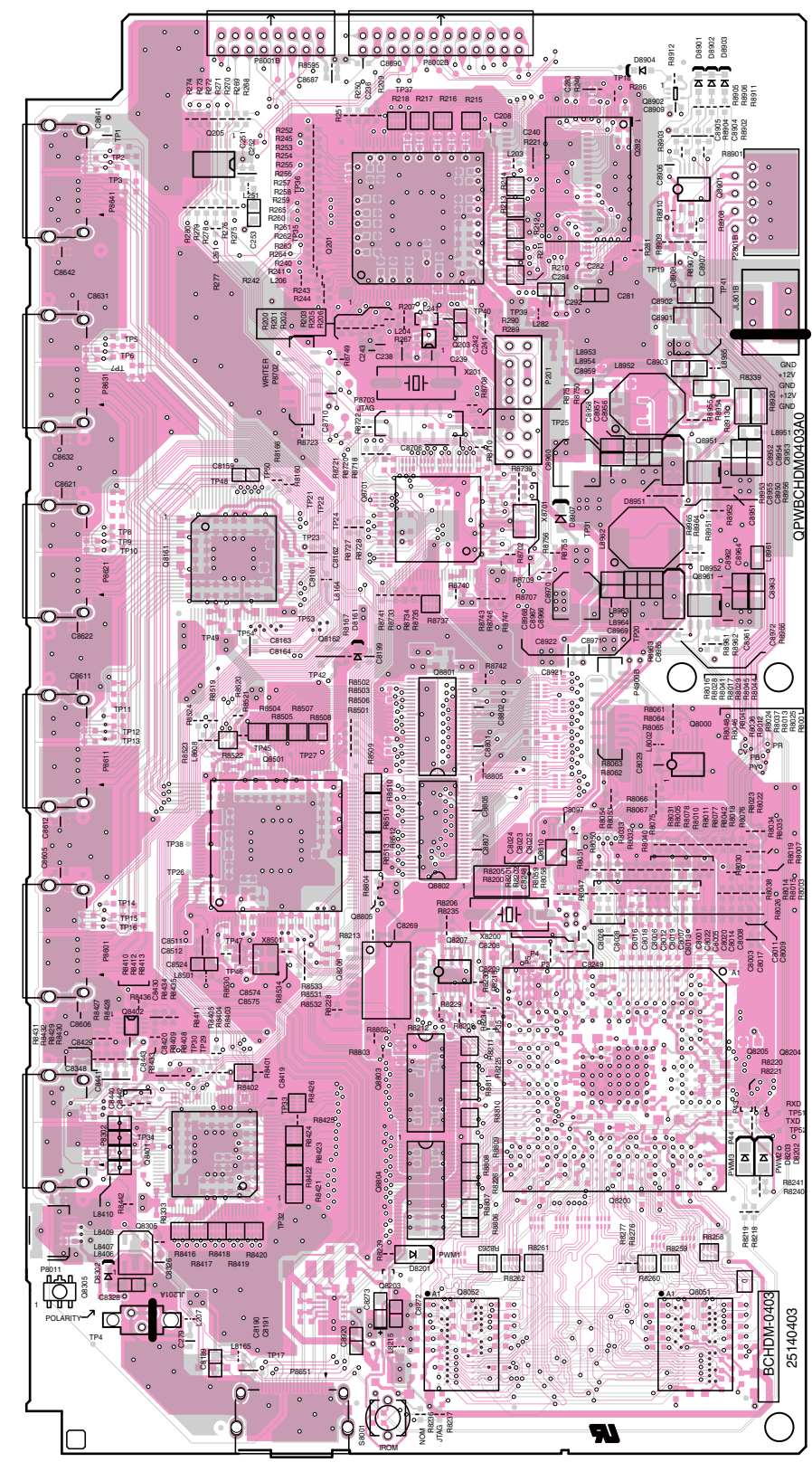
A B C D E F G H

**PRINTED CIRCUIT BOARD VIEWS-7
HDMI SECTION**

1

U0070

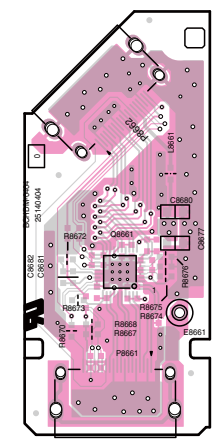
BAHDM-0403 (HDMI PC BOARD)
A-side(Component side)



2

U0071

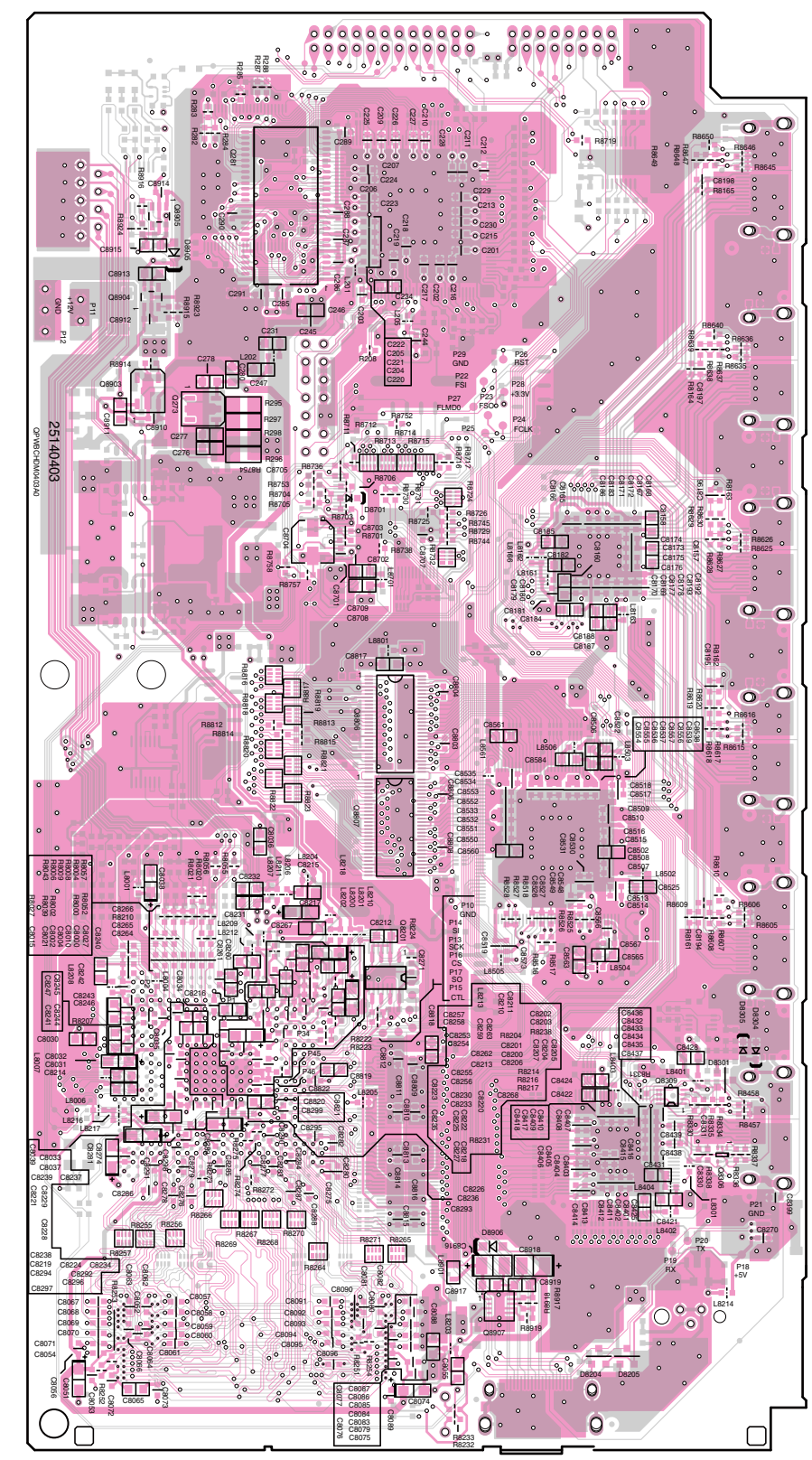
BAHDM-0404
(FRONT HDMI PC BOARD)
A-side(Component side)



3

U0070

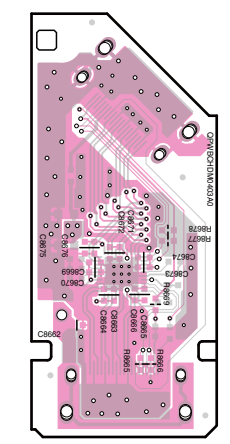
BAHDM-0403 (HDMI PC BOARD)
B-side(Soldering side)



4

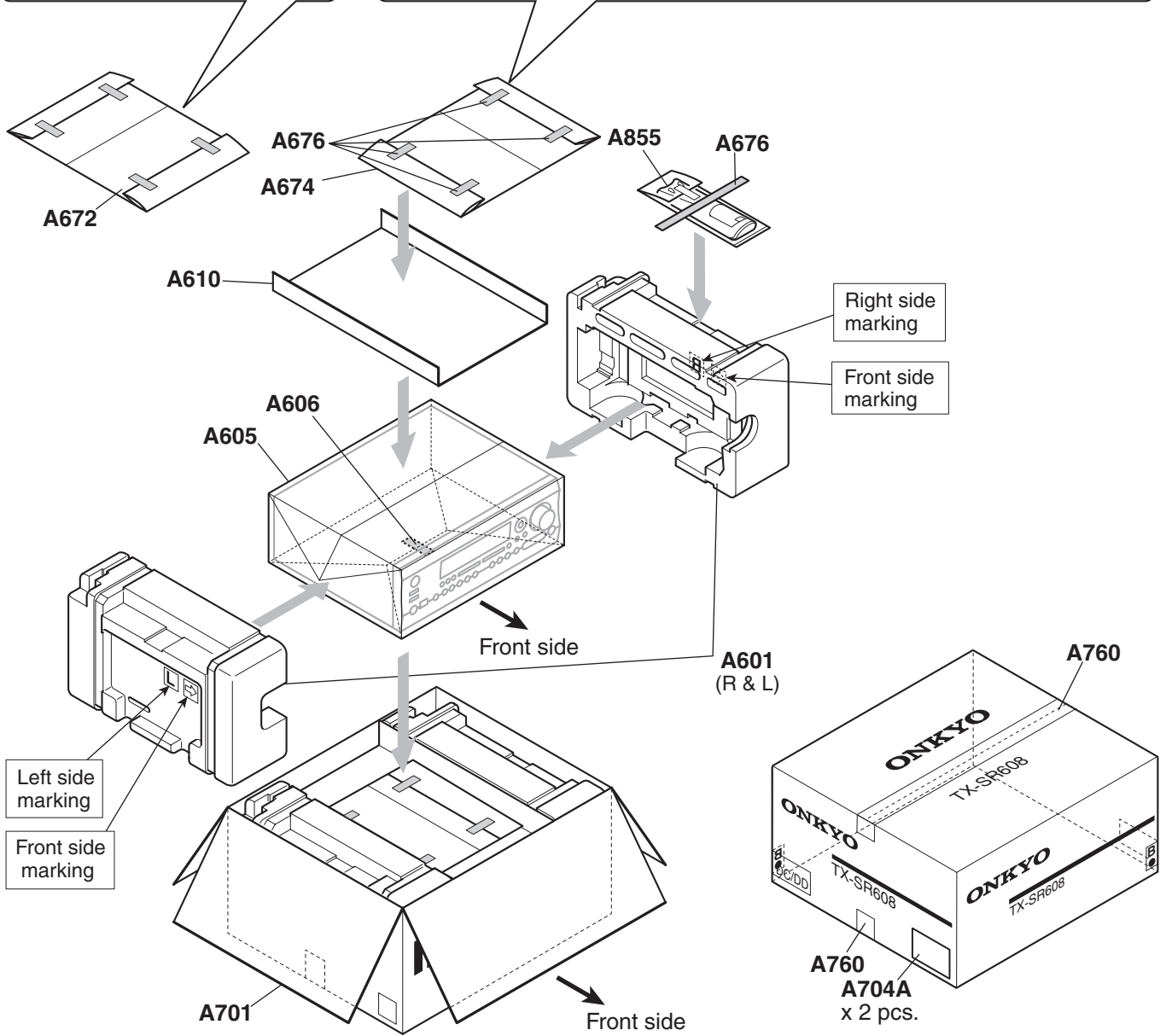
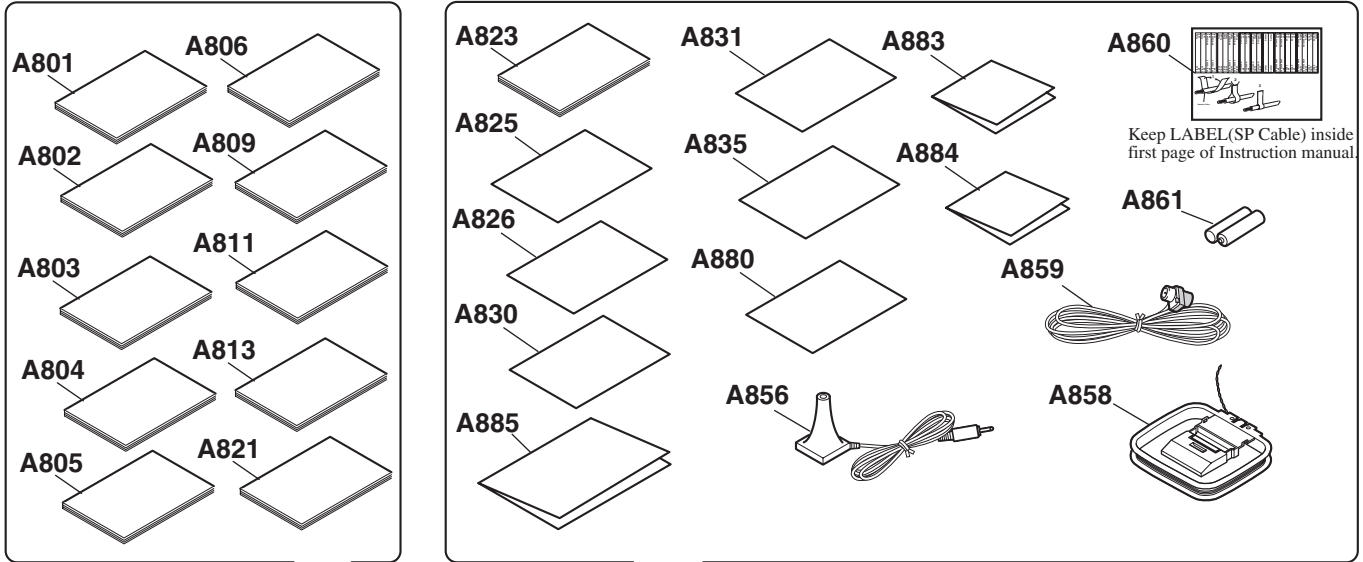
U0071

BAHDM-0404
(FRONT HDMI PC BOARD)
B-side(Soldering side)



5

PACKING PROCEDURE



TX-SR608

<Note>

Parts marked by "NSP" are generally unavailable because they are not in our Master Spare Parts List.

NOTE : THE COMPONENTS IDENTIFIED BY THE MARK ! ARE CRITICAL FOR RISK OF FIRE AND ELECTRIC SHOCK. REPLACE ONLY WITH PART NUMBER SPECIFIED.

<Notes>

** : Black model**

<S> : Silver model

<G> : Golden model

<MDC> : 120V,Canadian model

<MDD> : 120V,USA model

<MDF> : 120V,Taiwanese model

<MMA>: 220/230-240V, Australian model

<MMB>: 220/230-240V,UK model

<MMO> : 220/230-240V,Saudi Arabian model

<MMQ> : 220/230-240V,Hong kong model

<MPA> : 230V, Australian model

<MPB> : 230V,UK model

<MPP> : 230V,CE(European) country model

<MMR> : 220/230-240V,Chinese model

TX-SR608

EXPLODED VIEW PARTS LIST

REF. NO.	PART NAME	DESCRIPTION	Q'TY	PART NO. (SN)	REMARKS
[SEMI CONDUCTOR]					
Q6050	TR	2SC4468-P	1	2202526	<B MDC, MDD, MDF, MMA, MMO, MMQ, MMR / G MMR>
Q6050	TR	2SC5242-O	1	2202843	<B MMB, MMP / S MMP>
Q6050A	ISO SHEET	AC238	2	223024	NSP
Q6050B	ISO SHEET	ISO SHEET	6	223050	NSP
Q6050or	TR	2SC4468-O	(1)	2202523	<B MDC, MDD, MDF, MMA, MMO, MMQ, MMR / G MMR>
Q6050or	TR	2SC4468-Y	(1)	2202524	<B MDC, MDD, MDF, MMA, MMO, MMQ, MMR / G MMR>
Q6050or	TR	2SC5242-R	(1)	2202842	<B MMB, MMP / S MMP>
Q6051	TR	2SC4468-P	1	2202526	<B MDC, MDD, MDF, MMA, MMO, MMQ, MMR / G MMR>
Q6051	TR	2SC5242-O	1	2202843	<B MMB, MMP / S MMP>
Q6051or	TR	2SC4468-O	(1)	2202523	<B MDC, MDD, MDF, MMA, MMO, MMQ, MMR / G MMR>
Q6051or	TR	2SC4468-Y	(1)	2202524	<B MDC, MDD, MDF, MMA, MMO, MMQ, MMR / G MMR>
Q6051or	TR	2SC5242-R	(1)	2202842	<B MMB, MMP / S MMP>
Q6052	TR	2SC4468-P	1	2202526	<B MDC, MDD, MDF, MMA, MMO, MMQ, MMR / G MMR>
Q6052	TR	2SC5242-O	1	2202843	<B MMB, MMP / S MMP>
Q6052or	TR	2SC4468-O	(1)	2202523	<B MDC, MDD, MDF, MMA, MMO, MMQ, MMR / G MMR>
Q6052or	TR	2SC4468-Y	(1)	2202524	<B MDC, MDD, MDF, MMA, MMO, MMQ, MMR / G MMR>
Q6052or	TR	2SC5242-R	(1)	2202842	<B MMB, MMP / S MMP>
Q6053	TR	2SC4468-P	1	2202526	<B MDC, MDD, MDF, MMA, MMO, MMQ, MMR / G MMR>
Q6053	TR	2SC5242-O	1	2202843	<B MMB, MMP / S MMP>
Q6053or	TR	2SC4468-O	(1)	2202523	<B MDC, MDD, MDF, MMA, MMO, MMQ, MMR / G MMR>

Q6065or	TR	2SA1695-O	(1)	2202513		<B MDC, MDD, MDF, MMA, MMO, MMQ, MMR / G MMR>
Q6065or	TR	2SA1695-Y	(1)	2202514		<B MDC, MDD, MDF, MMA, MMO, MMQ, MMR / G MMR>
Q6065or	TR	2SA1962-R	(1)	2202832		<B MMB, MMP / S MMP>
Q6066	TR	2SA1695-P	1	2202516		<B MDC, MDD, MDF, MMA, MMO, MMQ, MMR / G MMR>
Q6066	TR	2SA1962-O	1	2202833		<B MMB, MMP / S MMP>
Q6066or	TR	2SA1695-O	(1)	2202513		<B MDC, MDD, MDF, MMA, MMO, MMQ, MMR / G MMR>
Q6066or	TR	2SA1695-Y	(1)	2202514		<B MDC, MDD, MDF, MMA, MMO, MMQ, MMR / G MMR>
Q6066or	TR	2SA1962-R	(1)	2202832		<B MMB, MMP / S MMP>
[TRANS COIL]						
T901	P TRANS	NPT-1592D	1	2301982	N, !	<B MDC, MDD, MDF>
T901	P TRANS	NPT-1592M	1	2301984	N, !	<B MMA, MMB, MMO, MMP, MMQ, MMR / G MMR / S MMP>
[SW TRM]						
F6901	FUSE	12A-TUL-250V	1	252301GR	!	
F6902	FUSE	12A-TUL-250V	1	252301GR	!	
F901	FUSE	5A-SE-EAK FUSE	1	252078GR	!	<B MMA, MMB, MMO, MMP, MMQ, MMR / G MMR / S MMP>
F901	FUSE	10A-UL/T-233	1	252330GR	!	<B MDC, MDD, MDF>
F901or	FUSE	5A-SE-TL250V	(1)	252278GR	!	<B MMA, MMB, MMO, MMP, MMQ, MMR / G MMR / S MMP>
F901or	FUSE	10A-T/JUL-ST2	(1)	252333GR	!	<B MDC, MDD, MDF>
P101	FFC	NCFC7-111512	1	2047111512	!	
P2510	FAN	D12T-12PL 25	1	24502331	N	
P2510or	FAN	4710KL-04W-B10-EA2	(1)	24502332	N	
P2801	FFC	NCFC7-091012	1	2047091012		
P4900	FFC	NCFC5-111012	1	2045111012		
P6601A	P RIVET	JB-407A-C	18	880052		<B MMA, MMB, MMO, MMP, MMQ, MMR / G MMR / S MMP>
P701	FFC	NCFC7-312012	1	2047312012		
P8651	CORD AS	HDMI 0.45M	1	2010475		
P901	AC CORD	AS-BS	1	253198LTK	!	<B MMB, MMQ>
P901	AC CORD	AS-CEE-2	1	253306VOL	!	<B MMO, MMP / S MMP>
P901	AC CORD	AS-CCC	1	253355VOL	!	<B MMR / G MMR>
P901	AC CORD	AS-UC-2	1	253368AYUN	!	<B MDC, MDD>
P901	AC CORD	AS-SAA	1	253388LTK	!	<B MMA>
P901	AC CORD	AS-CNS	1	253429VOL	!	<B MDF>
P901or	AC CORD	AS-BS	(1)	253198VOL	!	<B MMB>
P901or	AC CORD	AS-UC-2	(1)	253368BLTK	!	<B MDC, MDD>
P901or	AC CORD	AS-CEE-2	(1)	253374YUN	!	<B MMO, MMP / S MMP>
[CHASSIS SCREW]						
A001	CHASSIS	TX-SR507	1	27100533B	NSP	
A003	BOTTOM LEG	---	4	27175432C		
A004	CUSHION	(BUTYL)	4	28141748	NSP	
A005	CUSHION	(CORK)t2xφ20	4	28141839	NSP	
A007	SCREW	3TTB+8B(3CM)SR	4	801637	NSP	
A009	HOLDER	KGLS-8RT	2	27190503A	NSP	
A010	HOLDER	KGPS-8RF	2	27191044	NSP	
A011	HOLDER	KGLS-10RT	1	27190428A	NSP	

A013	HOLDER	KGPS-14RF	2	27190802	NSP	
A017	HOLDER	KGLS-16S	1	27190607	NSP	
A019	HOLDER	KGPS-16RF	1	27190991	NSP	
A021	HOLDER	KGLS-22S	2	27190369	NSP	
A023	HOLDER	KGLS-22S	1	27190369	NSP	
A025	SCREW	4TTC+8C(3BC)	4	830440089GR	NSP	
A027	SPACER	---	1	27270439	NSP	
A030	HEAT SINK	251	1	27160630	NSP	
A032	RETAINER	(HL)	1	27142138A	NSP	
A034	RETAINER	(HR)	1	27142139B	NSP	
A036	SCREW	3TTB+8B(3CM)SR	4	801637	NSP	
A038	SCREW	3TTB+8B(3CM)SR	2	801637	NSP	
A040	SCREW	3TTB+8B(3CM)SR	4	801637	NSP	
A042	SCREW	3TTB+8B(3CM)SR	2	801637	NSP	
A044	HOLDER	KGLS-8RT	1	27190503A	NSP	
A050	SCREW	3SMS8W.SW+14B(CU)	14	801634	NSP	
A051	ISO PLT	(HT-R)	1	28175339A	NSP	
A052	RIVET	P3535	3	880051	NSP	
A053	TAPE	TAPE(CLOTH-16U)	1	29110083	NSP	
A054	SCREW	3TTB+8B(3CM)SR	1	801637	NSP	
A056	BUSHING	S-RELIEF #2271	1	27300750	NSP	
A058	LABEL	(PT)	1	29363379-1	NSP	
A060	WIRE TIE	BINDER(CLAMPER)UL	2	260258	NSP	
A062	WIRE TIE	BSK-1	3	260208	NSP	
A068	SCREW	3TTB+8B(3CM)SR	2	801637	NSP	
A069	SCREW	3TTB+8B(3BC)	1	838430088GR	NSP	
A070	LABEL	(SP)	1	29390835A	NSP	<B MMA, MMB, MMO, MMP, MMQ, MMR / G MMR / S MMP>
A071	LABEL	(SP)570	1	29390690A	NSP	<B MDC, MDD, MDF>
A083	SCREW	3TTB+8B(3CM)SR	8	801637	NSP	
A091	BRACKET	(FAN-L)	1	27131077	NSP	
A093	BRACKET	(FAN-R)	1	27131078	NSP	
A095	BUSHING	(FAN-L)	4	28170091A	NSP	
A097	SCREW	3TTB+8B(3BC)	2	838430088GR	NSP	
A098	CUSHION	(FELT)	2	28141793	NSP	
A099	CUSHION	(12x13x10)FELT	4	28141829	NSP	
A101	REAR PANEL	TX-SR608DD/DC	1	27124107	N	<B MDC, MDD, MDF>
A101	REAR PANEL	TX-SR608MP/MO	1	27124108	N	<B MMA, MMB, MMO, MMP, MMQ / S MMP>
A101	REAR PANEL	TX-SR608MR	1	27124109		<B MMR / G MMR>
A102	CUSHION	--	2	28141799	NSP	
A103	SCREW	3P+6FN(3BC)	6	82143006GR	NSP	
A104	CUSHION	(BUTYL)	1	28141748	NSP	<B / G / S>
A105	SCREW	3TTB+8B(3BC)	29	838430088GR	NSP	<B MDC, MDD, MDF>
A105	SCREW	3TTB+8B(3BC)	28	838430088GR	NSP	<B MMA, MMB, MMO, MMP, MMQ, MMR / G MMR / S MMP>
A107	SCREW	3P+6FN(3BC)	1	82143006GR	NSP	<B MDC, MDD>

A109	SCREW	3P+6FN(3BC)	2	82143006GR	NSP	
[CABINET]						
A201	F PANEL	TX-SR608(B)DD	1	27213342		<B MDC, MDD, MDF>
A201	F PANEL	TX-SR608(B)MP	1	27213343		<B MMA, MMB, MMO, MMP, MMQ, MMR>
A201	F PANEL	TX-SR608(S)MP	1	27213344		<S MMP>
A201	F PANEL	TX-SR608(G)MR	1	27213345		<G MMR>
A202	CLEAR PLT	(AS)608D	1	28192286		<B MDC, MDD, MDF>
A202	CLEAR PLT	(AS)608P	1	28192287		<B MMA, MMB, MMO, MMP, MMQ, MMR / G MMR / S MMP>
A207	BADGE	BADGE	1	28135244		
A207	BADGE	BADGE	1	28135245		<G>
A207	BADGE	--	1	28135298		<S>
A211	F BRACKET	(B)	1	27111530D		
A211	F BRACKET	(S)	1	27111531D		<S>
A211	F BRACKET	(G)	1	27111532D	N	<G>
A215	KNOB	(SEL)	1	28326665		
A217	KNOB	(STNBY)	1	28326663A		
A219	KNOB	(CUR)	1	28326664A		
A221	IB CUSHION	W15*3t TAPE	1	28141585	NSP	
A223	SCREW	2.6TTB+8B(3BC)	22	838426088GR	NSP	
A250	B PLATE	(B)	1	28133428		
A250	B PLATE	(S)	1	28133429		<G / S>
A254	WIRE TIE	BSK-1	8	260208	NSP	
A255	SCREW	3TTB+8B(3CM)SR	5	801637	NSP	
A256	SCREW	3TTB+8B(3CM)SR	1	801637	NSP	
A257	SCREW	3TTB+8B(3CM)SR	1	801637	NSP	
A260	SCREW	3TTB+8B(3BC)	3	838430088GR	NSP	
A261	TAPE	TAPE(CLOTH-16U)	1	29110083	NSP	
A262	TAPE	TAPE(CLOTH-16U)	1	29110083	NSP	
A263	TAPE	TAPE(CLOTH-8U)	1	29110082	NSP	
A264	CUSHION	--	3	28141681	NSP	
A267	SPACER	SPACER 8X3X0.188ホリユウ	1	27270147	NSP	
A273	HOLDER	KGLS-4S	3	27190009	NSP	
A281	RETAINER	(HDMI)	1	27142172	NSP	
A283	SCREW	3P+6FN(3BC)	1	82143006GR	NSP	
A290	TAPE	TAPE(CLOTH-8U)	1	29110082	NSP	
A291	TAPE	TAPE(CLOTH-8U)	1	29110082	NSP	
A310	CUSHION	(BUTYL)	1	28141748	NSP	
A313	CUSHION	(BUTYL)	1	28141748	NSP	
A317	IB CUSHION	W15*3t TAPE	1	28141585	NSP	
A321	KNOB	(VOL)AS(B)	1	28326817		
A321	KNOB	(VOL)AS(S)	1	28326818		<S>
A321	KNOB	(VOL)AS(G)	1	28326819		<G>
A322	CUSHION	--	3	28141637	NSP	
A340	COVER	(B) (Bent)	1	28210034		

A340	COVER	(S) (Bent)	1	28210035		<S>
A340	COVER	(G) (Bent)	1	28210036		<G>
A340	COVER	(B) (Not Bent)	1	28210034Z		<B MDC, MDD>
A340	COVER	(S) (Not Bent)	1	28210035Z	NSP	<S>
A340	COVER	(G) (Not Bent)	1	28210036Z	NSP	<G>
A342	SCREW	3TTB+8B(3BC)	7	838430088GR	NSP	
A344	SCREW	3TTB+8B(3CM)SR	7	801637	NSP	<G / S>
A360	LABEL	(COVER)	1	29390767	NSP	
A362	LABEL	HOOKUP-ONKYO	1	29363194	NSP	<B MDC, MDD>
[TUNER UNIT]						
U001	AF-AS(Amplifier Asy) U0010+U0011+U0012+U0013+U0013+U0014	BAAF-0355-1A *	1	1B247555-1A	N	<B MDC, MDD, MDF>
U001	AF-AS(Amplifier Asy) U0010+U0011+U0012+U0013+U0013+U0014	BAAF-0355-1B *	1	1B247555-1B	N	<B MMA, MMB, MMO, MMP, MMQ, MMR / G MMR / S MMP>
U0010	AF-AS(Amplifier Asy)	BAAF-0355-1A	1	1B2475355-1A	N	<B MDC, MDD, MDF>
U0010	AF-AS(Amplifier Asy)	BAAF-0355-1B	1	1B2475355-1B	N	<B MMA, MMB, MMO, MMP, MMQ, MMR / G MMR / S MMP>
U0011	PWB(FL Tube -VP)	BAPS-0356-1A	1	1B2475356-1A	N	<B MDC, MDD, MDF>
U0011	PWB(FL Tube -VP)	BAPS-0356-1B	1	1B2475356-1B	N	<B MMA, MMB, MMO, MMP, MMQ, MMR / G MMR / S MMP>
U0012	PWB(Thermal Sensor)	BAETC-0357-1A	1	1B2475357-1A	N	<B MDC, MDD, MDF>
U0012	PWB(Thermal Sensor)	BAETC-0357-1B	1	1B2475357-1B	N, NSP	<B MMA, MMB, MMO, MMP, MMQ, MMR / G MMR / S MMP>
U0013	PWB(Thermal Sensor FIX)	BAETC-0358-1A	1	1B2475358-1A	N, NSP	<B MDC, MDD, MDF>
U0013	PWB(Thermal Sensor FIX)	BAETC-0358-1B	1	1B2475358-1B	N	<B MMA, MMB, MMO, MMP, MMQ, MMR / G MMR / S MMP>
U0014	PWB(Trans terminal FIX)	BAETC-0359-1A	1	1B2475359-1A	N	<B MDC, MDD, MDF>
U0014	PWB(Trans terminal FIX)	BAETC-0359-1B	1	1B2475359-1B	N	<B MMA, MMB, MMO, MMP, MMQ, MMR / G MMR / S MMP>
U002	CLA-AS(Amplifier Class_A) U0020+U0021	BACLA-0362-1A *	1	1B247562-1A	N	
U002	CLA-AS(Amplifier Class_A) U0020+U0021	BACLA-0362-1A *	1	1B247562-1A	N	
U0020	CLA-AS(Amplifier Class_A)	BACLA-0362-1A	1	1B2475362-1A	N	
U0020	CLA-AS(Amplifier Class_A)	BACLA-0362-1A	1	1B2475362-1A	N	
U0021	PWB(etc reserve)	BAETC-0363-1A	1	1B2475363-1A	N, NSP	
U0021	PWB(etc reserve)	BAETC-0363-1A	1	1B2475363-1A	N, NSP	
U003	DG-AS(MPU/DAC Asy) U0030+U0031	BADG-0364-1V *	1	1B247564-1V	N	<B MDC, MDD, MDF>
U003	DG-AS(MPU/DAC Asy) U0030+U0031	BADG-0364-1W *	1	1B247564-1W	N	<B MMA, MMB, MMO, MMP, MMQ, MMR / G MMR / S MMP>
U0030	DG-AS(MPU/DAC Asy)	BADG-0364-1V	1	1B2475364-1V	N	<B MDC, MDD, MDF>
U0030	DG-AS(MPU/DAC Asy)	BADG-0364-1W	1	1B2475364-1W	N	<B MMA, MMB, MMO, MMP, MMQ, MMR / G MMR / S MMP>
U0031	PWB(U_port)	BAETC-0365-1V	1	1B2475365-1V	N	<B MDC, MDD, MDF>
U0031	PWB(U_port)	BAETC-0365-1W	1	1B2475365-1W	N	<B MMA, MMB, MMO, MMP, MMQ, MMR / G MMR / S MMP>
U004	DIS-AS(Display Asy) U0040+U0041+U0042+U0043+U0044	BADIS-0373-1P *	1	1B247573-1P	N	<B MDC, MDD, MDF>

U004	DIS-AS(Display Asy) U0040+U0041+U0042+U0043+U0044	BADIS-0373-1Q *	1	1B247573-1Q	N	<B MMA, MMB, MMO, MMP, MMQ, MMR / G MMR / S MMP>
U0040	DIS-AS(Display Asy)	BADIS-0373-1P	1	1B2475373-1P	N	<B MDC, MDD, MDF>
U0040	DIS-AS(Display Asy)	BADIS-0373-1Q	1	1B2475373-1Q	N	<B MMA, MMB, MMO, MMP, MMQ, MMR / G MMR / S MMP>
U0041	PWB(Standby Key/LED)	BADIS-0374-1P	1	1B2475374-1P	N	<B MDC, MDD, MDF>
U0041	PWB(Standby Key/LED)	BADIS-0374-1Q	1	1B2475374-1Q	N	<B MMA, MMB, MMO, MMP, MMQ, MMR / G MMR / S MMP>
U0042	PWB(Video Asy)	BAVD-0375-1P	1	1B2475375-1P	N	<B MDC, MDD, MDF>
U0042	PWB(Video Asy)	BAVD-0375-1Q	1	1B2475375-1Q	N	<B MMA, MMB, MMO, MMP, MMQ, MMR / G MMR / S MMP>
U0043	PWB(Power Supply)	BAETC-0376-1P	1	1B2475376-1P	N	<B MDC, MDD, MDF>
U0043	PWB(Power Supply)	BAETC-0376-1Q	1	1B2475376-1Q	N	<B MMA, MMB, MMO, MMP, MMQ, MMR / G MMR / S MMP>
U0044	PWB(HP Jack)	BAETC-0377-1P	1	1B2475377-1P	N	<B MDC, MDD, MDF>
U0044	PWB(HP Jack)	BAETC-0377-1Q	1	1B2475377-1Q	N	<B MMA, MMB, MMO, MMP, MMQ, MMR / G MMR / S MMP>
U006	TRM-AS(SP Terminal Asy) U0060+U0061+U0063+U0064	BATRM-0368-1D *	1	1B247568-1D	N	<B MDC, MDD, MDF>
U006	TRM-AS(SP Terminal Asy) U0060+U0061+U0063+U0065	BATRM-0368-1E *	1	1B247568-1E	N	<B MMA, MMB, MMO, MMP, MMQ, MMR / G MMR / S MMP>
U0060	TRM-AS(SP Terminal Asy)	BATRM-0368-1D	1	1B2475368-1D	N	<B MDC, MDD, MDF>
U0060	TRM-AS(SP Terminal Asy)	BATRM-0368-1E	1	1B2475368-1E	N	<B MMA, MMB, MMO, MMP, MMQ, MMR / G MMR / S MMP>
U0061	PWB(Z2_SP TRM)	BATRM-0369-1E	1	1B2475369-1E	N	<B MMA, MMB, MMO, MMP, MMQ, MMR / G MMR / S MMP>
U0063	PWB(D-SUB)	BAETC-0371-1D	1	1B2475371-1D	N	<B MDC, MDD, MDF>
U0063	PWB(D-SUB)	BAETC-0371-1E	1	1B2475371-1E	N	<B MMA, MMB, MMO, MMP, MMQ, MMR / G MMR / S MMP>
U0064	PWB(etc reserve)	BAETC-0372-1D	1	1B2475372-1D	N, NSP	<B MDC, MDD, MDF>
U0064	PWB(etc reserve)	BAETC-0372-1E	1	1B2475372-1E	N, NSP	<B MMA, MMB, MMO, MMP, MMQ, MMR / G MMR / S MMP>
U007	HDM-AS(HDMI Asy) U0070+U0071+U0072	BAHDM-0403-1B *	1	1B247503-1B	N	
U007	HDM-AS(HDMI Asy) U0070+U0071+U0073	BAHDM-0403-1B *	1	1B247503-1B	N	
U0070	HDM-AS(HDMI Asy)	BAHDM-0403-1B	1	1B2475403-1B	N	
U0070	HDM-AS(HDMI Asy)	BAHDM-0403-1B	1	1B2475403-1B	N	
U0071	PWB(Front HDMI Asy)	BAHDM-0404-1B	1	1B2475404-1B	N	
U0071	PWB(Front HDMI Asy)	BAHDM-0404-1B	1	1B2475404-1B	N	
U0072	PWB(Front HDMI Asy FIX)	BAETC-0405-1B	1	1B2475405-1B	N, NSP	
U0072	PWB(Front HDMI Asy FIX)	BAETC-0405-1B	1	1B2475405-1B	N, NSP	
U010	TUNER UNIT	FAEH06-E01EX	1	240165		<B MMA, MMB, MMO, MMP, MMQ, MMR / G MMR / S MMP>
U010	TUNER UNIT	FAEH06-A01US	1	240166		<B MDC, MDD, MDF>

TX-SR608

PACKING & ACCESSORY PARTS LIST

REF. NO.	PART NAME	DESCRIPTION	Q'TY	PART NO. (SN)	REMARKS
[PACKING]					
A601	PAD	(AS)608	1	29092500	<B / G / S>

A605	POLY BAG	w850xd650	1	29100245		<B / G / S>
A606	TAPE	(SEROHAN)NITTO NO.29	1	29110149		<B / G / S>
A610	SHEET	(PAD)	1	29096095		<B / G / S>
A701	CARTON	608DD	1	29055099	N	<B MDC, MDD, MDF>
A701	CARTON	608	1	29055100	N	<B MMA, MMB, MMO, MMP, MMQ, MMR / G MMR / S MMP>
A704A	UPC LABEL	608BMDD	{ 1 }	29391069	N	<B MDD>
A704A	UPC LABEL	608BMDC	{ 1 }	29391070	N	<B MDC>
A704A	EAN LABEL	608BMDF	{ 1 }	29391071	N	<B MDF>
A704A	EAN LABEL	608BMMP	{ 1 }	29391072	N	<B MMP>
A704A	EAN LABEL	608SMMP	{ 1 }	29391073	N	<S MMP>
A704A	EAN LABEL	608MMB	{ 1 }	29391074	N	<B MMB>
A704A	EAN LABEL	608BMMA	{ 1 }	29391075	N	<B MMA>
A704A	EAN LABEL	608BMMO	{ 1 }	29391076	N	<B MMO>
A704A	EAN LABEL	608BMMQ	{ 1 }	29391077	N	<B MMQ>
A704A	EAN LABEL	608GMMR	{ 1 }	29391078	N	<G MMR>
A704A	LABEL	608BMMR	{ 1 }	29391163	N	<B MMR>
A707	LABEL	(CHINA)	1	29390370		<G MMR>
A707	LABEL	(CHINA)	1	29390952		<B MMR>
A751	LABEL	(TWN)TXSR608B	2	29391135	N	<B MDF>
A755	LABEL	(CCC)	1	29364396		<B MMR / G MMR>
A760	PP TAPE	W50 SBT-70	1	29110200		<B / G / S>
[ACCESSARY]						
A672	POLY BAG	w250xd350	1	29100250A		<B MMA, MMB, MMO, MMP, MMQ / S MMP>
A674	POLY BAG	D250xd300xW300(t0.04)	1	29100256A		
A676	TAPE	(SEROHAN)NITTO NO.29	1	29110149		
A801	INS MANUAL	En(TX-SR608)	1	29400239		
A802	INS MANUAL	U2FrEs(TX-SR608)	1	29400240		<B MDC, MMP / S MMP>
A803	INS MANUAL	U2ItDe(TX-SR608)	1	29400241		<B MMP / S MMP>
A804	INS MANUAL	U2NISv(TX-SR608)	1	29400242		<B MMP / S MMP>
A805	INS MANUAL	Ct(TX-SR608)	1	29400243	N	<B MDF, MMQ>
A806	INS MANUAL	Cs(TX-SR608)	1	29400244		<B MMR / G MMR>
A809	INS MANUAL	En(QSS TX-SR608)	1	29400246		
A811	INS MANUAL	Cs(QSS TX-SR608)	1	29400247		<B MMR / G MMR>
A812	INS MANUAL	Ar(TX-SR608)	1	29400245	N	<B MMQ>
A813	INS MANUAL	Ar(QC ImportantSheet)	1	29344373		<B MMQ>
A821	INS MANUAL	U3EnFrEs(Sirius2010)	1	29400273		<B MDC, MDD>
A823	INS MANUAL	U9(2010_Prepro)	1	29400269		
A825	INST SHEET	Ct(CHUISI_ MDF)	1	29355781		<B MDF>
A826	INST SHEET	U11(2010_RIHD)	1	29355782		
A830	INST SHEET	WEEE	1	2935537B		<B MMB, MMP / S MMP>
A831	HANDBILL	(SIRIUS)	1	29380149		<B MDC, MDD>
A835	HANDBILL	(UP-A1)US	1	29380155		<B MDC, MDD>
A835	HANDBILL	(UP-A1)EU	1	29380156		<B MMB, MMP / S MMP>
A855	REMO CON	RC-765M	1	24140765	N	

A856	MIC	MIC-7000	1	245044		
A858	ANT COIL	NMA-3057	1	232140		
A859	FM ANT AS	Type W	1	292191		
A860	LABEL	(SPCABLE)2009	1	29390881		
A861	BATTERY	R6/AA(UM-3)	2	3010194		<B MDC, MDD, MDF, MMA, MMB, MMO, MMP, MMQ / S MMP>
A861or	BATTERY	R6/AA(UM-3)	(2)	3010054		<B MDC, MDD, MDF, MMA, MMB, MMO, MMP, MMQ / S MMP>
A880	INST SHEET	CHINA ROHS	1	29355616A		<B MMR / G MMR>
A883	WRNTY CARD	(ONKYO-CH)	1	29365098B		<B MMR / G MMR>
A884	WRNTY CARD	MGQ	1	29365099A		<B MMQ>
A885	WRNTY CARD	(ONKYO)	1	29365135		<B MDC, MDD>
A888	LABEL	(APV)	1	29390190		<B MMR / G MMR>

TX-SR608

PC BOARD PARTS LIST

U001	AF-AS(Amplifier Asy) U0010+U0011+U0012+U0013+U0013+U0014	BAAF-0355-1A *	1	1B247555-1A	N	<B MDC, MDD, MDF>
U001	AF-AS(Amplifier Asy) U0010+U0011+U0012+U0013+U0013+U0014	BAAF-0355-1B *	1	1B247555-1B	N	<B MMA, MMB, MMO, MMP, MMQ, MMR / G MMR / S MMP>
U0010	AF-AS(Amplifier Asy)	BAAF-0355-1A	1	1B2475355-1A	N	<B MDC, MDD, MDF>
U0010	AF-AS(Amplifier Asy)	BAAF-0355-1B	1	1B2475355-1B	N	<B MMA, MMB, MMO, MMP, MMQ, MMR / G MMR / S MMP>
U0011	PWB(FL Tube -VP)	BAPS-0356-1A	1	1B2475356-1A	N	<B MDC, MDD, MDF>
U0011	PWB(FL Tube -VP)	BAPS-0356-1B	1	1B2475356-1B	N	<B MMA, MMB, MMO, MMP, MMQ, MMR / G MMR / S MMP>
U0012	PWB(Thermal Sensor)	BAETC-0357-1A	1	1B2475357-1A	N	<B MDC, MDD, MDF>
U0012	PWB(Thermal Sensor)	BAETC-0357-1B	1	1B2475357-1B	N, NSP	<B MMA, MMB, MMO, MMP, MMQ, MMR / G MMR / S MMP>
U0013	PWB(Thermal Sensor FIX)	BAETC-0358-1A	1	1B2475358-1A	N, NSP	<B MDC, MDD, MDF>
U0013	PWB(Thermal Sensor FIX)	BAETC-0358-1B	1	1B2475358-1B	N	<B MMA, MMB, MMO, MMP, MMQ, MMR / G MMR / S MMP>
U0014	PWB(Trans terminal FIX)	BAETC-0359-1A	1	1B2475359-1A	N	<B MDC, MDD, MDF>
U0014	PWB(Trans terminal FIX)	BAETC-0359-1B	1	1B2475359-1B	N	<B MMA, MMB, MMO, MMP, MMQ, MMR / G MMR / S MMP>

CIRCUIT. N°	PART NAME	DESCRIPTION	Q'TY	PART NO. (SN)	REMARKS
[SEMI CONDUCTOR]					
D4171	ZENER D	MTZJ7.5B	1	224470752T	
D4172	ZENER D	MTZJ7.5B	1	224470752T	
D4207	C-DIODE	KDS4148U	1	223283R2	
D4207 or	C-DIODE	1SS352	(1)	223234R2	NSP
D4207 or	C-DIODE	MA2J111	(1)	223279R2	NSP
D4217	C-DIODE	KDS4148U	1	223283R2	NSP
D4217 or	C-DIODE	1SS352	(1)	223234R2	NSP
D4217 or	C-DIODE	MA2J111	(1)	223279R2	NSP
D4300	DIODE	RL1N4003	1	22380260T	
D4301	DIODE	RL1N4003	1	22380260T	
D4302	DIODE	RL1N4003	1	22380260T	
D4303	DIODE	RL1N4003	1	22380260T	
D4304	DIODE	RL1N4003	1	22380260T	

D4305	DIODE	RL1N4003	1	22380260T	
D6000	C-DIODE	KDS4148U	1	223283R2	NSP
D6000 or	C-DIODE	1SS352	(1)	223234R2	NSP
D6000 or	C-DIODE	MA2J111	(1)	223279R2	NSP
D6001	C-DIODE	KDS4148U	1	223283R2	NSP
D6001 or	C-DIODE	1SS352	(1)	223234R2	NSP
D6001 or	C-DIODE	MA2J111	(1)	223279R2	NSP
D6002	C-DIODE	KDS4148U	1	223283R2	NSP
D6002 or	C-DIODE	1SS352	(1)	223234R2	NSP
D6002 or	C-DIODE	MA2J111	(1)	223279R2	NSP
D6003	C-DIODE	KDS4148U	1	223283R2	NSP
D6003 or	C-DIODE	1SS352	(1)	223234R2	NSP
D6003 or	C-DIODE	MA2J111	(1)	223279R2	NSP
D6004	C-DIODE	KDS4148U	1	223283R2	NSP
D6004 or	C-DIODE	1SS352	(1)	223234R2	NSP
D6004 or	C-DIODE	MA2J111	(1)	223279R2	NSP
D6005	C-DIODE	KDS4148U	1	223283R2	NSP
D6005 or	C-DIODE	1SS352	(1)	223234R2	NSP
D6005 or	C-DIODE	MA2J111	(1)	223279R2	NSP
D6006	C-DIODE	KDS4148U	1	223283R2	NSP
D6006 or	C-DIODE	1SS352	(1)	223234R2	NSP
D6006 or	C-DIODE	MA2J111	(1)	223279R2	NSP
D6701	C-DIODE	KDS4148U	1	223283R2	NSP
D6701 or	C-DIODE	1SS352	(1)	223234R2	NSP
D6701 or	C-DIODE	MA2J111	(1)	223279R2	NSP
D6702	C-DIODE	KDS4148U	1	223283R2	NSP
D6702 or	C-DIODE	1SS352	(1)	223234R2	NSP
D6702 or	C-DIODE	MA2J111	(1)	223279R2	NSP
D6703	ZENER D	UDZS3.3B	1	224550330R2	
D6704	ZENER D	UDZS3.3B	1	224550330R2	
D6713	ZENER D	UDZS3.3B	1	224550330R2	
D6901	DIODE	D10XB60H	1	22380337	
D6901A	HEAT SINK	RAD-196	1	27160545	NSP
D6901C	SCREW	3P+10FN(3BC)	1	82143010GR	NSP
D6902	C-DIODE	KDS4148U	1	223283R2	NSP
D6902 or	C-DIODE	1SS352	(1)	223234R2	NSP
D6902 or	C-DIODE	MA2J111	(1)	223279R2	NSP
D960	DIODE	RL1N4003	1	22380260T	
D961	DIODE	RL1N4003	1	22380260T	
D962	ZENER D	UDZS36B	1	224553600R2	
Q4001	IC	R2A15218FP	1	22242605R3	
Q4003	IC	NJM4580M-D	1	22241448R2	
Q4100	TR	RN1441	1	2215410R2	
Q4101	TR	RN1441	1	2215410R2	

Q4102	TR	RN1441	1	2215410R2	
Q4103	TR	RN1441	1	2215410R2	
Q4104	TR	RN1441	1	2215410R2	
Q4105	TR	RN1441	1	2215410R2	
Q4106	TR	RN1441	1	2215410R2	
Q4107	TR	RN1441	1	2215410R2	
Q4108	TR	RN1441	1	2215410R2	
Q4109	TR	RN1441	1	2215410R2	
Q4117	TR	RN1441	1	2215410R2	
Q4130	IC	NJM4580M-D	1	22241448R2	
Q4170	IC	78M15HF(NJM78M15FA)	1	222780155JRC	
Q4170 or	IC	UPC78M15AHF-AZ	(1)	222780155NEC	
Q4170A	HEAT SINK	RAD-196	1	27160545	NSP
Q4170B	SCREW	3P+10FN(3BC)	1	82143010GR	NSP
Q4171	IC	79M15HF(NJM79M15FA)	1	222790155JRC	
Q4171 or	IC	UPC79M15HF-AZ	(1)	222790155NEC	
Q4171B	SCREW	3P+10FN(3BC)	1	82143010GR	NSP
Q4184	TR	2SC2235-Y(TPE6_F)	1	2211654T	
Q4185	TR	2SA965-O(TPE6_F)	1	2211643T	
Q6000	TR	2SC1740S-S	1	2213285T	
Q6001	TR	2SC1740S-S	1	2213285T	
Q6002	TR	2SC1740S-S	1	2213285T	
Q6003	TR	2SC1740S-S	1	2213285T	
Q6004	TR	2SC1740S-S	1	2213285T	
Q6005	TR	2SC1740S-S	1	2213285T	
Q6006	TR	2SC1740S-S	1	2213285T	
Q6070	TR	2SC2229-Y(TPE6_F)	1	2211634T	
Q6071	TR	2SC2229-Y(TPE6_F)	1	2211634T	
Q6072	TR	2SC2229-Y(TPE6_F)	1	2211634T	
Q6073	TR	2SC2229-Y(TPE6_F)	1	2211634T	
Q6074	TR	2SC2229-Y(TPE6_F)	1	2211634T	
Q6075	TR	2SC2229-Y(TPE6_F)	1	2211634T	
Q6076	TR	2SC2229-Y(TPE6_F)	1	2211634T	
Q6380	IC	LM61CIZ	1	22242212	
Q6380A	RETAINER	(PTH)	1	27141884-1	NSP
Q6701	TR	2SC2712-GR	1	2213145R2	
Q6701 or	TR	KTC3875-GR	(1)	2216175R2	
Q6702	TR	2SC2712-GR	1	2213145R2	
Q6702 or	TR	KTC3875-GR	(1)	2216175R2	
Q6703	TR	2SA1163-BL(TE85L_F)	1	2216756R2	
Q6707	TR	2SC2712-GR	1	2213145R2	
Q6707 or	TR	KTC3875-GR	(1)	2216175R2	
Q6713	TR	2SA1163-BL(TE85L_F)	1	2216756R2	
Q960	TR	2SC2235-Y(TPE6_F)	1	2211654T	

Q960 or	TR	2SC2235-O(TPE6_F)	(1)	2211653T	
[TRANS COIL]					
L4001	CHOKE COIL	LBC2518T2R2M	1	231364M022R2	
[CAPACITOR]					
C4001	C-CERA C	CC725CH1H-152J1	1	342101524R1	NSP
C4002	C-CERA C	CC725CH1H-152J1	1	342101524R1	NSP
C4003	C-CERA C	CC725CH1H-221J1	1	342102214R1	NSP
C4004	C-CERA C	CC725CH1H-221J1	1	342102214R1	
C4007	UPZ C	2AUPZTF221JE	1	376332214T	
C4008	UPZ C	2AUPZTF221JE	1	376332214T	
C4009	C-CERA C	CC725CH1H-221J1	1	342102214R1	NSP
C4010	C-CERA C	CC725CH1H-221J1	1	342102214R1	NSP
C4013	C-CERA C	CC725CH1H-221J1	1	342102214R1	NSP
C4014	C-CERA C	CC725CH1H-221J1	1	342102214R1	NSP
C4017	C-CERA C	CC725CH1H-221J1	1	342102214R1	NSP
C4018	C-CERA C	CC725CH1H-221J1	1	342102214R1	NSP
C4019	UPZ C	2AUPZTF221JE	1	376332214T	
C4020	UPZ C	2AUPZTF221JE	1	376332214T	
C4027	C-CERA C	CC725CH1H-221J1	1	342102214R1	NSP
C4030	C-CERA C	CC725CH1H-221J1	1	342102214R1	NSP
C4031	C-CERA C	CC725CH1H-221J1	1	342102214R1	NSP
C4032	C-CERA C	CC725CH1H-221J1	1	342102214R1	NSP
C4050	UTSP C	CE04W10V-220M(UTSP)	1	397532217T	
C4051	UTSP C	CE04W10V-220M(UTSP)	1	397532217T	
C4052	UTSP C	CE04W10V-220M(UTSP)	1	397532217T	
C4053	UTSP C	CE04W25V-47M(UTSP)	1	397554707T	
C4054	UTSP C	CE04W25V-47M(UTSP)	1	397554707T	
C4055	UTSP C	CE04W25V-47M(UTSP)	1	397554707T	
C4056	UTSP C	CE04W25V-47M(UTSP)	1	397554707T	
C4057	UTSP C	CE04W25V-47M(UTSP)	1	397554707T	
C4060	UTSP C	CE04W50V 47M(UTSP)	1	397584707T	
C4061	UTSP C	CE04W50V 47M(UTSP)	1	397584707T	
C4062	TF C	ECQ-V50V-474J	1	374724744T	
C4063	TF C	ECQ-V50V-823J	1	374728234T	
C4064	TF C	ECQ-V50V-223J	1	374722234T	
C4065	TF C	ECQ-V50V-474J	1	374724744T	
C4066	TF C	ECQ-V50V-823J	1	374728234T	
C4067	TF C	ECQ-V50V-223J	1	374722234T	
C4070	UTSP C	CE04W50V 47M(UTSP)	1	397584707T	
C4071	UTSP C	CE04W50V 47M(UTSP)	1	397584707T	
C4072	UTSP C	CE04W50V 47M(UTSP)	1	397584707T	
C4073	UTSP C	CE04W50V 47M(UTSP)	1	397584707T	
C4074	UTSP C	CE04W50V 47M(UTSP)	1	397584707T	
C4075	UTSP C	CE04W50V 47M(UTSP)	1	397584707T	

C4076	UTSP C	CE04W50V 47M(UTSP)	1	397584707T		
C4077	UTSP C	CE04W50V 47M(UTSP)	1	397584707T		
C4085	UTSP C	CE04W50V 47M(UTSP)	1	397584707T		
C4086	UTSP C	CE04W50V 47M(UTSP)	1	397584707T		
C4090	C-CERA C	CC725CH1H-101J1	1	342101014R1	NSP	
C4091	C-CERA C	CC725CH1H-101J1	1	342101014R1	NSP	
C4100	UTSP C	CE04W50V 47M(UTSP)	1	397584707T		
C4101	UTSP C	CE04W50V 47M(UTSP)	1	397584707T		
C4102	UTSP C	CE04W50V 47M(UTSP)	1	397584707T		
C4103	UTSP C	CE04W50V 47M(UTSP)	1	397584707T		
C4104	UTSP C	CE04W50V 47M(UTSP)	1	397584707T		
C4105	UTSP C	CE04W50V 47M(UTSP)	1	397584707T		
C4106	UTSP C	CE04W50V 47M(UTSP)	1	397584707T		
C4107	UTSP C	CE04W50V 47M(UTSP)	1	397584707T		
C4108	UTSP C	CE04W50V 47M(UTSP)	1	397584707T		
C4109	UTSP C	CE04W50V 47M(UTSP)	1	397584707T		
C4111	C-CERA C	CC725CH1H-152J1	1	342101524R1	NSP	<B MDC, MDD, MDF>
C4112	C-CERA C	CC725CH1H-152J1	1	342101524R1	NSP	<B MDC, MDD, MDF>
C4116	C-CERA C	CK725F1E-104Z1	1	332161040R1	NSP	<B MDC, MDD, MDF>
C4130	UTSP C	CE04W50V 47M(UTSP)	1	397584707T		
C4131	C-CERA C	CC725CH1H-221J1	1	342102214R1		
C4132	TF C	ECQ-V50V-103J	1	374721034T		
C4166	UTSP C	CE04W25V-220M(UTSP)	1	397552217T		
C4167	UTSP C	CE04W25V-220M(UTSP)	1	397552217T		
C4170	UTSP C	CE04W50V-10M(UTSP)	1	397581007T		
C4171	UTSP C	CE04W50V-10M(UTSP)	1	397581007T		
C4172	UTSP C	CE04W25V-220M(UTSP)	1	397552217T		
C4173	UTSP C	CE04W25V-220M(UTSP)	1	397552217T		
C4174	UTSP C	CE04W16V-470M(UTSP)	1	397544717T		
C4175	UTSP C	CE04W16V-470M(UTSP)	1	397544717T		
C4184	UTSP C	CE04W25V-220M(UTSP)	1	397552217T		
C4185	UTSP C	CE04W25V-220M(UTSP)	1	397552217T		
C4186	UTSP C	CE04W25V-220M(UTSP)	1	397552217T		
C4187	UTSP C	CE04W25V-220M(UTSP)	1	397552217T		
C4203	C-CERA C	CC725CH1H-102J1	1	342101024R1	NSP	
C4204	C-CERA C	CC725CH1H-102J1	1	342101024R1	NSP	
C4207	C-CERA C	CC725CH1H-221J1	1	342102214R1	NSP	
C4209	UTSP C	CE04W25V-47M(UTSP)	1	397554707T		
C4210	UTSP C	CE04W25V-47M(UTSP)	1	397554707T		
C4215	C-CERA C	CC725CH1H-102J1	1	342101024R1	NSP	
C4300	TF C	ECQ-V50V-334J	1	374723344T		
C4301	VR C	CE04W35V-1000M(VR)	1	394661027S		
C4302	VR C	CE04W35V-470M(VR)	1	394664717T		
C6050	TF C	ECQ-V50V-103J	1	374721034T		

C6051	TF C	ECQ-V50V-103J	1	374721034T		
C6052	TF C	ECQ-V50V-103J	1	374721034T		
C6053	TF C	ECQ-V50V-103J	1	374721034T		
C6054	TF C	ECQ-V50V-103J	1	374721034T		
C6055	TF C	ECQ-V50V-103J	1	374721034T		
C6056	TF C	ECQ-V50V-103J	1	374721034T		
C6630	C-CERA C	CK725F1E-104Z1	1	332161040R1	NSP	
C6701	UTSP C	CE04W25V-100M(UTSP)	1	397551017T		
C6703	C-CERA C	CK725F1H-104Z1	1	332151040R1	NSP	
C6704	UTSP C	CE04W50V-1M(UTSP)	1	397580107T		
C6706	UTSP C	CE04W50V-10M(UTSP)	1	397581007T		
C6713	C-CERA C	CK725F1H-104Z1	1	332151040R1	NSP	
C6714	UTSP C	CE04W50V-1M(UTSP)	1	397580107T		
C6901	ELECT C	CE69W69V-10000MA	1	3504425		
C6901A	IB CUSHION	W15*3t TAPE	1	28141585		
C6902	ELECT C	CE69W69V-10000MA	1	3504425		
C6911	C-CERA C	CC725CH1H-102J1	1	342101024R1	NSP	
C6912	TF C	ECQ-V100V-334J	1	374733344T		
C6913	TF C	ECQ-V100V-334J	1	374733344T		
C950	TF C	ECQ-V50V-104J	1	374721044T		
C960	VR C	CE04W63V-220M(VR)	1	394672217T		
C961	VR C	CE04W50V-47M(VR)	1	394684707T		
C962	C-CERA C	CK725F1E-104Z1	1	332161040R1	NSP	
[RESISTOR]						
R4000	C-CARBON R	RN72K1J-331JE	1	435033314R1	NSP	
R4003	C-CARBON R	RN72K1J-331JE	1	435033314R1	NSP	
R4004	C-CARBON R	RN72K1J-331JE	1	435033314R1	NSP	
R4007	C-CARBON R	RN72K1J-331JE	1	435033314R1	NSP	
R4008	C-CARBON R	RN72K1J-331JE	1	435033314R1	NSP	
R4009	C-CARBON R	RN72K1J-331JE	1	435033314R1	NSP	
R4010	C-CARBON R	RN72K1J-331JE	1	435033314R1	NSP	
R4013	C-CARBON R	RN72K1J-331JE	1	435033314R1	NSP	
R4014	C-CARBON R	RN72K1J-331JE	1	435033314R1	NSP	
R4015	C-CARBON R	RN72K1J-222JE	1	435032224R1	NSP	
R4016	C-CARBON R	RN72K1J-222JE	1	435032224R1	NSP	
R4017	C-CARBON R	RN72K1J-331JE	1	435033314R1	NSP	
R4018	C-CARBON R	RN72K1J-331JE	1	435033314R1	NSP	
R4019	C-CARBON R	RN72K1J-331JE	1	435033314R1	NSP	
R4020	C-CARBON R	RN72K1J-331JE	1	435033314R1	NSP	
R4021	C-CARBON R	RN72K1J-000JE	1	435030004R1	NSP	<B MDC, MDD, MDF>
R4022	C-CARBON R	RN72K1J-000JE	1	435030004R1	NSP	
R4023	C-CARBON R	RN72K1J-000JE	1	435030004R1	NSP	
R4024	C-CARBON R	RN72K1J-000JE	1	435030004R1	NSP	
R4028	C-CARBON R	RN72K1J-101JE	1	435031014R1	NSP	

R4030	C-CARBON R	RN72K1J-331JE	1	435033314R1	NSP	
R4031	C-CARBON R	RN72K1J-331JE	1	435033314R1	NSP	
R4032	C-CARBON R	RN72K1J-101JE	1	435031014R1	NSP	
R4043	C-CARBON R	RN72K1J-104JE	1	435031044R1	NSP	
R4044	C-CARBON R	RN72K1J-104JE	1	435031044R1	NSP	
R4047	C-CARBON R	RN72K1J-104JE	1	435031044R1	NSP	
R4048	C-CARBON R	RN72K1J-104JE	1	435031044R1	NSP	
R4049	C-CARBON R	RN72K1J-104JE	1	435031044R1	NSP	
R4050	C-CARBON R	RN72K1J-104JE	1	435031044R1	NSP	
R4053	C-CARBON R	RN72K1J-104JE	1	435031044R1	NSP	
R4054	C-CARBON R	RN72K1J-104JE	1	435031044R1	NSP	
R4055	C-CARBON R	RN72K1J-104JE	1	435031044R1	NSP	
R4056	C-CARBON R	RN72K1J-104JE	1	435031044R1	NSP	
R4057	C-CARBON R	RN72K1J-104JE	1	435031044R1	NSP	
R4058	C-CARBON R	RN72K1J-104JE	1	435031044R1	NSP	
R4059	C-CARBON R	RN72K1J-104JE	1	435031044R1	NSP	
R4060	C-CARBON R	RN72K1J-104JE	1	435031044R1	NSP	
R4061	C-CARBON R	RN72K1J-152JE	1	435031524R1	NSP	<B MDC, MDD, MDF>
R4062	C-CARBON R	RN72K1J-152JE	1	435031524R1	NSP	<B MDC, MDD, MDF>
R4063	C-CARBON R	RN72K1J-104JE	1	435031044R1	NSP	<B MDC, MDD, MDF>
R4064	C-CARBON R	RN72K1J-104JE	1	435031044R1	NSP	<B MDC, MDD, MDF>
R4065	C-CARBON R	RN72K1J-000JE	1	435030004R1	NSP	<B MDC, MDD, MDF>
R4067	C-CARBON R	RN72K1J-104JE	1	435031044R1	NSP	
R4068	C-CARBON R	RN72K1J-104JE	1	435031044R1	NSP	
R4069	C-CARBON R	RN72K1J-104JE	1	435031044R1	NSP	
R4070	C-CARBON R	RN72K1J-222JE	1	435032224R1	NSP	
R4071	C-CARBON R	RN72K1J-222JE	1	435032224R1	NSP	
R4072	C-CARBON R	RN72K1J-223JE	1	435032234R1	NSP	
R4077	C-CARBON R	RN72K1J-223JE	1	435032234R1	NSP	
R4078	C-CARBON R	RN72K1J-473JE	1	435034734R1	NSP	
R4079	C-CARBON R	RN72K1J-473JE	1	435034734R1	NSP	
R4080	C-CARBON R	RN72K1J-104JE	1	435031044R1	NSP	
R4081	C-CARBON R	RN72K1J-104JE	1	435031044R1	NSP	
R4082	C-CARBON R	RN72K1J-104JE	1	435031044R1	NSP	
R4085	C-CARBON R	RN72K1J-182JE	1	435031824R1	NSP	
R4086	C-CARBON R	RN72K1J-182JE	1	435031824R1	NSP	
R4087	C-CARBON R	RN72K1J-103JE	1	435031034R1	NSP	
R4088	C-CARBON R	RN72K1J-103JE	1	435031034R1	NSP	
R4089	C-CARBON R	RN72K1J-000JE	1	435030004R1	NSP	
R4090	C-CARBON R	RN72K1J-123JE	1	435031234R1	NSP	
R4091	C-CARBON R	RN72K1J-223JE	1	435032234R1	NSP	
R4092	C-CARBON R	RN72K1J-331JE	1	435033314R1	NSP	
R4093	C-CARBON R	RN72K1J-332JE	1	435033324R1	NSP	
R4094	C-CARBON R	RN72K1J-103JE	1	435031034R1	NSP	

R4095	C-CARBON R	RN72K1J-103JE	1	435031034R1	NSP	
R4096	C-CARBON R	RN72K1J-331JE	1	435033314R1	NSP	
R4097	C-CARBON R	RN72K1J-332JE	1	435033324R1	NSP	
R4098	C-CARBON R	RN72K1J-123JE	1	435031234R1	NSP	
R4099	C-CARBON R	RN72K1J-223JE	1	435032234R1	NSP	
R4100	C-CARBON R	RN72K1J-224JE	1	435032244R1	NSP	
R4101	C-CARBON R	RN72K1J-224JE	1	435032244R1	NSP	
R4102	C-CARBON R	RN72K1J-224JE	1	435032244R1	NSP	
R4103	C-CARBON R	RN72K1J-224JE	1	435032244R1	NSP	
R4104	C-CARBON R	RN72K1J-224JE	1	435032244R1	NSP	
R4105	C-CARBON R	RN72K1J-224JE	1	435032244R1	NSP	
R4106	C-CARBON R	RN72K1J-224JE	1	435032244R1	NSP	
R4107	C-CARBON R	RN72K1J-224JE	1	435032244R1	NSP	
R4108	C-CARBON R	RN72K1J-224JE	1	435032244R1	NSP	
R4109	C-CARBON R	RN72K1J-224JE	1	435032244R1	NSP	
R4110	C-CARBON R	RN72K1J-222JE	1	435032224R1	NSP	
R4111	C-CARBON R	RN72K1J-222JE	1	435032224R1	NSP	
R4112	C-CARBON R	RN72K1J-222JE	1	435032224R1	NSP	
R4113	C-CARBON R	RN72K1J-222JE	1	435032224R1	NSP	
R4114	C-CARBON R	RN72K1J-222JE	1	435032224R1	NSP	
R4115	C-CARBON R	RN72K1J-222JE	1	435032224R1	NSP	
R4116	C-CARBON R	RN72K1J-222JE	1	435032224R1	NSP	
R4117	C-CARBON R	RN72K1J-271JE	1	435032714R1	NSP	
R4118	C-CARBON R	RN72K1J-222JE	1	435032224R1	NSP	
R4119	C-CARBON R	RN72K1J-222JE	1	435032224R1	NSP	
R4120	C-CARBON R	RN72K1J-000JE	1	435030004R1	NSP	
R4121	C-CARBON R	RN72K1J-000JE	1	435030004R1	NSP	
R4122	C-CARBON R	RN72K1J-000JE	1	435030004R1	NSP	
R4123	C-CARBON R	RN72K1J-000JE	1	435030004R1	NSP	
R4124	C-CARBON R	RN72K1J-000JE	1	435030004R1	NSP	
R4125	C-CARBON R	RN72K1J-000JE	1	435030004R1	NSP	
R4126	C-CARBON R	RN72K1J-000JE	1	435030004R1	NSP	
R4127	C-CARBON R	RN72K1J-101JE	1	435031014R1	NSP	
R4130	C-CARBON R	RN72K1J-221JE	1	435032214R1	NSP	
R4131	C-CARBON R	RN72K1J-473JE	1	435034734R1	NSP	
R4132	C-CARBON R	RN72K1J-153JE	1	435031534R1	NSP	
R4133	C-CARBON R	RN72K1J-122JE	1	435031224R1	NSP	
R4134	C-CARBON R	RN72K1J-103JE	1	435031034R1	NSP	
R4160	METAL R	RNU1WCJ-2.2	1	453630224T		<B MDC, MDD, MDF>
R4160	METAL R	RNU1WCJ-0.22	1	453632294T		<B MMA, MMB, MMO, MMP, MMQ, MMR / G MMR / S MMP>
R4161	METAL R	RNU1WCJ-2.2	1	453630224T		<B MDC, MDD, MDF>
R4161	METAL R	RNU1WCJ-0.22	1	453632294T		<B MMA, MMB, MMO, MMP, MMQ, MMR / G MMR / S MMP>
R4166	CARBON R	R16J-22	1	417342204T		
R4167	CARBON R	R16J-22	1	417342204T		

R4170	METAL O R	RS2WBJ-3.3	1	441720334F		
R4171	METAL O R	RS2WBJ-8.2	1	441720824F		
R4174	METAL O R	RS1WBJ-100	1	443621014T		
R4175	METAL O R	RS1WBJ-100	1	443621014T		
R4180	C-CARBON R	RN72K1J-224JE	1	435032244R1	NSP	
R4181	C-CARBON R	RN72K1J-224JE	1	435032244R1	NSP	
R4182	C-CARBON R	RN72K1J-224JE	1	435032244R1	NSP	
R4184	CARBON R	R16J-1K	1	417341024T		
R4185	CARBON R	R16J-1K	1	417341024T		
R4189	C-CARBON R	RN72K1J-224JE	1	435032244R1	NSP	
R4190	C-CARBON R	RN72K1J-224JE	1	435032244R1	NSP	
R4192	C-CARBON R	RN72K1J-224JE	1	435032244R1	NSP	
R4193	C-CARBON R	RN72K1J-224JE	1	435032244R1	NSP	
R4194	C-CARBON R	RN72K1J-224JE	1	435032244R1	NSP	
R4195	C-CARBON R	RN72K1J-224JE	1	435032244R1	NSP	
R4196	C-CARBON R	RN72K1J-224JE	1	435032244R1	NSP	
R4200	C-CARBON R	RN72K1J-000JE	1	435030004R1	NSP	
R4201	C-CARBON R	RN72K1J-000JE	1	435030004R1	NSP	
R4211	C-CARBON R	RN72K1J-000JE	1	435030004R1	NSP	
R4220	C-CARBON R	RN72K1J-000JE	1	435030004R1	NSP	
R4221	C-CARBON R	RN72K1J-000JE	1	435030004R1	NSP	
R4222	C-CARBON R	RN72K1J-000JE	1	435030004R1	NSP	
R4223	C-CARBON R	RN72K1J-000JE	1	435030004R1	NSP	
R4224	C-CARBON R	RN72K1J-000JE	1	435030004R1	NSP	
R4225	C-CARBON R	RN72K1J-000JE	1	435030004R1	NSP	
R4226	C-CARBON R	RN72K1J-000JE	1	435030004R1	NSP	
R4227	C-CARBON R	RN72K1J-000JE	1	435030004R1	NSP	
R4228	C-CARBON R	RN72K1J-000JE	1	435030004R1	NSP	
R4229	C-CARBON R	RN72K1J-000JE	1	435030004R1	NSP	
R4230	C-CARBON R	RN72K1J-000JE	1	435030004R1	NSP	
R4231	C-CARBON R	RN72K1J-000JE	1	435030004R1	NSP	
R4232	C-CARBON R	RN72K1J-000JE	1	435030004R1	NSP	
R4234	C-CARBON R	RN72K1J-000JE	1	435030004R1	NSP	
R4235	C-CARBON R	RN72K1J-000JE	1	435030004R1	NSP	<B MDC, MDD, MDF>
R4236	C-CARBON R	RN72K1J-000JE	1	435030004R1	NSP	
R4305	C-CARBON R	RN72K1J-512JE	1	435035124R1	NSP	
R4306	C-CARBON R	RN72K1J-512JE	1	435035124R1	NSP	
R4307	C-CARBON R	RN72K1J-512JE	1	435035124R1	NSP	
R6000	C-CARBON R	RN72K1J-562JE	1	435035624R1	NSP	
R6001	C-CARBON R	RN72K1J-562JE	1	435035624R1	NSP	
R6002	C-CARBON R	RN72K1J-562JE	1	435035624R1	NSP	
R6003	C-CARBON R	RN72K1J-562JE	1	435035624R1	NSP	
R6004	C-CARBON R	RN72K1J-562JE	1	435035624R1	NSP	
R6005	C-CARBON R	RN72K1J-562JE	1	435035624R1	NSP	

R6006	C-CARBON R	RN72K1J-562JE	1	435035624R1	NSP
R6010	C-CARBON R	RN72K1J-392JE	1	435033924R1	NSP
R6011	C-CARBON R	RN72K1J-392JE	1	435033924R1	NSP
R6012	C-CARBON R	RN72K1J-392JE	1	435033924R1	NSP
R6013	C-CARBON R	RN72K1J-392JE	1	435033924R1	NSP
R6014	C-CARBON R	RN72K1J-392JE	1	435033924R1	NSP
R6015	C-CARBON R	RN72K1J-392JE	1	435033924R1	NSP
R6016	C-CARBON R	RN72K1J-392JE	1	435033924R1	NSP
R6030	C-CARBON R	RN72K1J-471JE	1	435034714R1	NSP
R6031	C-CARBON R	RN72K1J-471JE	1	435034714R1	NSP
R6032	C-CARBON R	RN72K1J-471JE	1	435034714R1	NSP
R6033	C-CARBON R	RN72K1J-471JE	1	435034714R1	NSP
R6034	C-CARBON R	RN72K1J-471JE	1	435034714R1	NSP
R6035	C-CARBON R	RN72K1J-471JE	1	435034714R1	NSP
R6036	C-CARBON R	RN72K1J-471JE	1	435034714R1	NSP
R6100	METAL PR	MPR5W+5W 0R22	1	4000233	
R6100 or	METAL P R	RF-5EGPJR22	(1)	4000244	
R6101	METAL PR	MPR5W+5W 0R22	1	4000233	
R6101 or	METAL P R	RF-5EGPJR22	(1)	4000244	
R6102	METAL PR	MPR5W+5W 0R22	1	4000233	
R6102 or	METAL P R	RF-5EGPJR22	(1)	4000244	
R6103	METAL PR	MPR5W+5W 0R22	1	4000233	
R6103 or	METAL P R	RF-5EGPJR22	(1)	4000244	
R6104	METAL PR	MPR5W+5W 0R22	1	4000233	
R6104 or	METAL P R	RF-5EGPJR22	(1)	4000244	
R6105	METAL PR	MPR5W+5W 0R22	1	4000233	
R6105 or	METAL P R	RF-5EGPJR22	(1)	4000244	
R6106	METAL PR	MPR5W+5W 0R22	1	4000233	
R6106 or	METAL P R	RF-5EGPJR22	(1)	4000244	
R6140	C-CARBON R	RN72K1J-563JE	1	435035634R1	NSP
R6141	C-CARBON R	RN72K1J-563JE	1	435035634R1	NSP
R6142	C-CARBON R	RN72K1J-563JE	1	435035634R1	NSP
R6143	C-CARBON R	RN72K1J-563JE	1	435035634R1	NSP
R6144	C-CARBON R	RN72K1J-563JE	1	435035634R1	NSP
R6145	C-CARBON R	RN72K1J-563JE	1	435035634R1	NSP
R6146	C-CARBON R	RN72K1J-563JE	1	435035634R1	NSP
R6150	C-CARBON R	RN72K1J-103JE	1	435031034R1	NSP
R6151	C-CARBON R	RN72K1J-103JE	1	435031034R1	NSP
R6152	C-CARBON R	RN72K1J-103JE	1	435031034R1	NSP
R6153	C-CARBON R	RN72K1J-103JE	1	435031034R1	NSP
R6154	C-CARBON R	RN72K1J-103JE	1	435031034R1	NSP
R6155	C-CARBON R	RN72K1J-103JE	1	435031034R1	NSP
R6156	C-CARBON R	RN72K1J-103JE	1	435031034R1	NSP
R6160	CARBON R	R16J-33K	1	417343334T	

R6161	CARBON R	R16J-33K	1	417343334T	
R6162	CARBON R	R16J-33K	1	417343334T	
R6163	CARBON R	R16J-33K	1	417343334T	
R6164	CARBON R	R16J-33K	1	417343334T	
R6165	CARBON R	R16J-33K	1	417343334T	
R6166	CARBON R	R16J-33K	1	417343334T	
R6170	CARBON R	R16J-47K	1	417344734T	
R6171	CARBON R	R16J-47K	1	417344734T	
R6172	CARBON R	R16J-47K	1	417344734T	
R6173	CARBON R	R16J-47K	1	417344734T	
R6174	CARBON R	R16J-47K	1	417344734T	
R6175	CARBON R	R16J-47K	1	417344734T	
R6176	CARBON R	R16J-47K	1	417344734T	
R6180	CARBON R	R16J-47K	1	417344734T	
R6181	CARBON R	R16J-47K	1	417344734T	
R6182	CARBON R	R16J-47K	1	417344734T	
R6183	CARBON R	R16J-47K	1	417344734T	
R6184	CARBON R	R16J-47K	1	417344734T	
R6185	CARBON R	R16J-47K	1	417344734T	
R6186	CARBON R	R16J-47K	1	417344734T	
R6197	METAL R	RNU1WCJ-8.2	1	453630824T	
R6301	C-CARBON R	RN72K1J-000JE	1	435030004R1	NSP
R6305	C-CARBON R	RN72K1J-000JE	1	435030004R1	NSP
R6306	C-CARBON R	RN72K1J-000JE	1	435030004R1	NSP
R6307	C-CARBON R	RN72K1J-000JE	1	435030004R1	NSP
R6701	C-CARBON R	RN72K1J-223JE	1	435032234R1	NSP
R6702	C-CARBON R	RN72K1J-103JE	1	435031034R1	NSP
R6704	C-CARBON R	RN72K1J-473JE	1	435034734R1	NSP
R6706	C-CARBON R	RN72K1J-224JE	1	435032244R1	NSP
R6708	C-CARBON R	RN72K1J-333JE	1	435033334R1	NSP
R6709	C-CARBON R	RN72K1J-562JE	1	435035624R1	NSP
R6710	C-CARBON R	RN72K1J-472JE	1	435034724R1	NSP
R6712	C-CARBON R	RN72K1J-103JE	1	435031034R1	NSP
R6714	C-CARBON R	RN72K1J-473JE	1	435034734R1	NSP
R6716	C-CARBON R	RN72K1J-224JE	1	435032244R1	NSP
R6902	C-CARBON R	RN72K1J-102JE	1	435031024R1	NSP
R6903	C-CARBON R	RN72K1J-473JE	1	435034734R1	NSP
R950	METAL O R	RS1WBJ-10	1	443621004T	
R960	METAL R	RNU1/2WCJ-8.2	1	453530824T	
R961	METAL R	RNU1/2WCJ-3.3	1	453530334T	
R962	C-CARBON R	RN72K1J-822JE	1	435038224R1	
R963	C-CARBON R	RN72K1J-822JE	1	435038224R1	
R964	C-CARBON R	RN72K1J-333JE	1	435033334R1	
R965	C-CARBON R	RN72K1J-000JE	1	435030004R1	

[SW TRM]						
F6901A	FUSE HOLDER	SN5051	1	250113		
F6901B	FUSE HOLDER	SN5051	1	250113		
F6902A	FUSE HOLDER	SN5051	1	250113		
F6902B	FUSE HOLDER	SN5051	1	250113		
JL501A	WIRE HOL	NSCT-3P874	1	25051087		
JL502A	WIRE HOL	NSCT-5P876	1	25051089		
JL503A	WIRE HOL	NSCT-3P874	1	25051087		
JL600A	WIRE HOL	NSCT-7P898	1	25051111		
JL603A	WIRE HOL	NSCT-9P900	1	25051113		
JL604A	WIRE HOL	NSCT-5P896	1	25051109		<B MDC, MDD, MDF>
JL620A	WIRE HOL	NSCT-7P878	1	25051091		
JL951A	WIRE HOL	NSCT-5P896	1	25051109		
JL951B	SOCKET	NSCT-5P97	1	25050269		
JL952A	WIRE HOL	NSCT-3P894	1	25051107		
JL953B	WIRE TRAP	NPLG-5P588	1	25055626		
JL954A	WIRE HOL	NSCT-5P896	1	25051109		
JL954B	WIRE HOL	NSCT-5P896	1	25051109		
P4000	ST JACK	MSJ-035-22	1	25045887		
P4000 or	JACK	YKB21-5130	(1)	25045387		
P4002	PIN JACK	NPJ-2PDWR595	1	25045815		
P4003	PIN JACK	NPJ-4PDWWR624	1	25045845		
P4003 or	PIN JACK	NPJ-4PDBL162	(1)	25045303		
P4004	PIN JACK	NPJ-4PDWWR624	1	25045845		
P4004 or	PIN JACK	NPJ-4PDBL162	(1)	25045303		
P4005	PIN JACK	NPJ-4PDWWR624	1	25045845		
P4005 or	PIN JACK	NPJ-4PDBL162	(1)	25045303		
P4006	SOCKET	MDC-130V1-8P(ONA)	1	25053388	N	<B MDC, MDD, MDF>
P4007	PIN JACK	NPJ-4PDWRP682	1	25045914		
P5501B	PLUG	NPLG-7P0962	1	25056012		
P5502B	PLUG	NPLG-15P0970	1	25056020		
P5503B	PLUG	NPLG-9P0964	1	25056014		
P5504B	PLUG	NPLG-7P0962	1	25056012		
P5505	CRIMP AS	CRIMP AS	1	2069955200UL	NSP	
P5510	TRM-423(SCREW)	NEJITANSI ST3	1	25060495	NSP	
P6000B	PLUG	NPLG-9P0964	1	25056014		
P6001B	PLUG	NPLG-9P0964	1	25056014		
P6002B	PLUG	NPLG-9P0964	1	25056014		
P6003B	PLUG	NPLG-9P0964	1	25056014		
P6004B	PLUG	NPLG-9P0964	1	25056014		
P6005B	PLUG	NPLG-9P0964	1	25056014		
P6006B	PLUG	NPLG-9P0964	1	25056014		
P6007B	TRM	NTM-1P232(M1700)	1	25060301		
P6008B	TRM	NTM-1P232(M1700)	1	25060301		

P6009B	TRM	NTM-1P232(M1700)	1	25060301	
P6010B	TRM	NTM-1P232(M1700)	1	25060301	
P6011A	RETAINER	(BUS-D)TX-SR606	1	27142100	NSP
P6080	PLUG	NPLG-2P29	1	25055038	
P6081	PLUG	NPLG-2P29	1	25055038	
P6082	PLUG	NPLG-2P29	1	25055038	
P6083	PLUG	NPLG-2P29	1	25055038	
P6084	PLUG	NPLG-2P29	1	25055038	
P6085	PLUG	NPLG-2P29	1	25055038	
P6086	PLUG	NPLG-2P29	1	25055038	
P6102	HOLDER	(CRAMP) UA-0 V0	1	27190608-1	
P6103	HOLDER	HOLDER(CLAMP)	1	27190540-1	
P6600A	SOCKET AS	NSAS-26P1775	1	2009991135UL	
P6602	TRM	NTM-4PDML422	1	25060494	<B MDC, MDD, MDF>
P6605	WS CLAMP	CB-71683(L=50)	1	260261	
P6606	WS CLAMP	CB-71683(L=50)	1	260261	
P6900	CRIMP AS	UL1015#18SIN-SVH 300 BL	1	20799177UL	
P6901	CRIMP AS	CRIMP AS	1	2069925119UL	
P6902	CRIMP AS	CRIMP AS	1	2069925188UL	
P6903	CRIMP AS	UL1015#18SIN-SVH 200 YE	1	20799172UL	
P6904	CRIMP AS	UL1015#18SIN-SVH 200 GR	1	20799173UL	
RL6901	RELAY	NRL-1P10A-DC12-196	1	25065707	
RL6901 or	RELAY	NRL-1P10A-DC12-197	(1)	25065708	
RL6901 or	RELAY	NRL-1P10A-DC12-198	(1)	25065709	
RL6902	RELAY	NRL-1P10A-DC12-196	1	25065707	
RL6902 or	RELAY	NRL-1P10A-DC12-197	(1)	25065708	
RL6902 or	RELAY	NRL-1P10A-DC12-198	(1)	25065709	

TX-SR608

PC BOARD PARTS LIST

U002	CLA-AS(Amplifier Class_A) U0020+U0021	BACLA-0362-1A *	1	1B247562-1A	N
U002	CLA-AS(Amplifier Class_A) U0020+U0021	BACLA-0362-1A *	1	1B247562-1A	N
U0020	CLA-AS(Amplifier Class_A)	BACLA-0362-1A	1	1B2475362-1A	N
U0020	CLA-AS(Amplifier Class_A)	BACLA-0362-1A	1	1B2475362-1A	N
U0021	PWB(etc reserve)	BAETC-0363-1A	1	1B2475363-1A	N, NSP
U0021	PWB(etc reserve)	BAETC-0363-1A	1	1B2475363-1A	N, NSP

CIRCUIT. NO	PART NAME	DESCRIPTION	Q'TY	PART NO. (SN)	REMARKS
[SEMI CONDUCTOR]					
D5000	ZENER D	MTZJ5.6B	1	224470562T	
D5001	ZENER D	MTZJ5.6B	1	224470562T	
D5002	ZENER D	MTZJ5.6B	1	224470562T	

D5003	ZENER D	MTZJ5.6B	1	224470562T		
D5004	ZENER D	MTZJ5.6B	1	224470562T		
D5005	ZENER D	MTZJ5.6B	1	224470562T		
D5006	ZENER D	MTZJ5.6B	1	224470562T		
Q5000	TR	2SC2240-BL(TPE2_F)	1	2211406T		
Q5001	TR	2SC2240-BL(TPE2_F)	1	2211406T		
Q5002	TR	2SC2240-BL(TPE2_F)	1	2211406T		
Q5003	TR	2SC2240-BL(TPE2_F)	1	2211406T		
Q5004	TR	2SC2240-BL(TPE2_F)	1	2211406T		
Q5005	TR	2SC2240-BL(TPE2_F)	1	2211406T		
Q5006	TR	2SC2240-BL(TPE2_F)	1	2211406T		
Q5010	TR	2SC2240-BL(TPE2_F)	1	2211406T		
Q5011	TR	2SC2240-BL(TPE2_F)	1	2211406T		
Q5012	TR	2SC2240-BL(TPE2_F)	1	2211406T		
Q5013	TR	2SC2240-BL(TPE2_F)	1	2211406T		
Q5014	TR	2SC2240-BL(TPE2_F)	1	2211406T		
Q5015	TR	2SC2240-BL(TPE2_F)	1	2211406T		
Q5016	TR	2SC2240-BL(TPE2_F)	1	2211406T		
Q5030	TR	2SA949-Y(TPE6_F)	1	2211354T		
Q5030A	RETAINER	(CLA2)	1	27142140		
Q5031	TR	2SA949-Y(TPE6_F)	1	2211354T		
Q5031A	RETAINER	(CLA2)	1	27142140		
Q5032	TR	2SA949-Y(TPE6_F)	1	2211354T		
Q5032A	RETAINER	(CLA2)	1	27142140		
Q5033	TR	2SA949-Y(TPE6_F)	1	2211354T		
Q5033A	RETAINER	(CLA2)	1	27142140		
Q5034	TR	2SA949-Y(TPE6_F)	1	2211354T		
Q5034A	RETAINER	(CLA2)	1	27142140		
Q5035	TR	2SA949-Y(TPE6_F)	1	2211354T		
Q5035A	RETAINER	(CLA2)	1	27142140		
Q5036	TR	2SA949-Y(TPE6_F)	1	2211354T		
Q5036A	RETAINER	(CLA2)	1	27142140		
Q5040	TR	2SA949-Y(TPE6_F)	1	2211354T		
Q5041	TR	2SA949-Y(TPE6_F)	1	2211354T		
Q5042	TR	2SA949-Y(TPE6_F)	1	2211354T		
Q5043	TR	2SA949-Y(TPE6_F)	1	2211354T		
Q5044	TR	2SA949-Y(TPE6_F)	1	2211354T		
Q5045	TR	2SA949-Y(TPE6_F)	1	2211354T		
Q5046	TR	2SA949-Y(TPE6_F)	1	2211354T		
Q5050	TR	2SC2240-BL(TPE2_F)	1	2211406T		
Q5051	TR	2SC2240-BL(TPE2_F)	1	2211406T		
Q5052	TR	2SC2240-BL(TPE2_F)	1	2211406T		
Q5053	TR	2SC2240-BL(TPE2_F)	1	2211406T		
Q5054	TR	2SC2240-BL(TPE2_F)	1	2211406T		

Q5055	TR	2SC2240-BL(TPE2_F)	1	2211406T	
Q5056	TR	2SC2240-BL(TPE2_F)	1	2211406T	
Q5060	TR	2SA949-Y(TPE6_F)	1	2211354T	
Q5061	TR	2SA949-Y(TPE6_F)	1	2211354T	
Q5062	TR	2SA949-Y(TPE6_F)	1	2211354T	
Q5063	TR	2SA949-Y(TPE6_F)	1	2211354T	
Q5064	TR	2SA949-Y(TPE6_F)	1	2211354T	
Q5065	TR	2SA949-Y(TPE6_F)	1	2211354T	
Q5066	TR	2SA949-Y(TPE6_F)	1	2211354T	
Q5070	TR	2SC2229-Y(TPE6_F)	1	2211634T	
Q5071	TR	2SC2229-Y(TPE6_F)	1	2211634T	
Q5072	TR	2SC2229-Y(TPE6_F)	1	2211634T	
Q5073	TR	2SC2229-Y(TPE6_F)	1	2211634T	
Q5074	TR	2SC2229-Y(TPE6_F)	1	2211634T	
Q5075	TR	2SC2229-Y(TPE6_F)	1	2211634T	
Q5076	TR	2SC2229-Y(TPE6_F)	1	2211634T	
Q5250	TR	2SA1930(ONK_Q)	1	2203000	
Q5251	TR	2SA1930(ONK_Q)	1	2203000	
Q5252	TR	2SA1930(ONK_Q)	1	2203000	
Q5253	TR	2SA1930(ONK_Q)	1	2203000	
Q5254	TR	2SA1930(ONK_Q)	1	2203000	
Q5255	TR	2SA1930(ONK_Q)	1	2203000	
Q5256	TR	2SA1930(ONK_Q)	1	2203000	
Q5260	TR	2SC5171(ONK_Q)	1	2203010	
Q5261	TR	2SC5171(ONK_Q)	1	2203010	
Q5262	TR	2SC5171(ONK_Q)	1	2203010	
Q5263	TR	2SC5171(ONK_Q)	1	2203010	
Q5264	TR	2SC5171(ONK_Q)	1	2203010	
Q5265	TR	2SC5171(ONK_Q)	1	2203010	
Q5266	TR	2SC5171(ONK_Q)	1	2203010	
Q5410	TR	2SC1740S-S	1	2213285T	
Q5411	TR	2SC1740S-S	1	2213285T	
Q5412	TR	2SC1740S-S	1	2213285T	
Q5413	TR	2SC1740S-S	1	2213285T	
Q5414	TR	2SC1740S-S	1	2213285T	
Q5415	TR	2SC1740S-S	1	2213285T	
Q5416	TR	2SC1740S-S	1	2213285T	
Q5430	TR	2SC2229-Y(TPE6_F)	1	2211634T	
Q5430 or	TR	2SC2229-O(TPE6_F)	(1)	2211633T	
Q5431	TR	2SC2229-Y(TPE6_F)	1	2211634T	
Q5431 or	TR	2SC2229-O(TPE6_F)	(1)	2211633T	
Q5432	TR	2SC2229-Y(TPE6_F)	1	2211634T	
Q5432 or	TR	2SC2229-O(TPE6_F)	(1)	2211633T	
Q5433	TR	2SC2229-Y(TPE6_F)	1	2211634T	

Q5433 or	TR	2SC2229-O(TPE6_F)	(1)	2211633T	
Q5434	TR	2SC2229-Y(TPE6_F)	1	2211634T	
Q5434 or	TR	2SC2229-O(TPE6_F)	(1)	2211633T	
Q5435	TR	2SC2229-Y(TPE6_F)	1	2211634T	
Q5435 or	TR	2SC2229-O(TPE6_F)	(1)	2211633T	
Q5436	TR	2SC2229-Y(TPE6_F)	1	2211634T	
Q5436 or	TR	2SC2229-O(TPE6_F)	(1)	2211633T	
Q5440	TR	2SA949-Y(TPE6_F)	1	2211354T	
Q5440 or	TR	2SA949-O(TPE6_F)	(1)	2211353T	
Q5441	TR	2SA949-Y(TPE6_F)	1	2211354T	
Q5441 or	TR	2SA949-O(TPE6_F)	(1)	2211353T	
Q5442	TR	2SA949-Y(TPE6_F)	1	2211354T	
Q5442 or	TR	2SA949-O(TPE6_F)	(1)	2211353T	
Q5443	TR	2SA949-Y(TPE6_F)	1	2211354T	
Q5443 or	TR	2SA949-O(TPE6_F)	(1)	2211353T	
Q5444	TR	2SA949-Y(TPE6_F)	1	2211354T	
Q5444 or	TR	2SA949-O(TPE6_F)	(1)	2211353T	
Q5445	TR	2SA949-Y(TPE6_F)	1	2211354T	
Q5445 or	TR	2SA949-O(TPE6_F)	(1)	2211353T	
Q5446	TR	2SA949-Y(TPE6_F)	1	2211354T	
Q5446 or	TR	2SA949-O(TPE6_F)	(1)	2211353T	
[TRANS COIL]					
L5400	FR CORE	*	1	5597-45502	
L5401	FR CORE	*	1	5597-45502	
L5402	FR CORE	*	1	5597-45502	
L5403	FR CORE	*	1	5597-45502	
L5404	FR CORE	*	1	5597-45502	
L5405	FR CORE	*	1	5597-45502	
L5406	FR CORE	*	1	5597-45502	
L5410	FR CORE	*	1	5597-45502	
L5411	FR CORE	*	1	5597-45502	
L5412	FR CORE	*	1	5597-45502	
L5413	FR CORE	*	1	5597-45502	
L5414	FR CORE	*	1	5597-45502	
L5415	FR CORE	*	1	5597-45502	
L5416	FR CORE	*	1	5597-45502	
[CAPACITOR]					
C5000	UPZ C	2AUPZTF101JE	1	376331014T	
C5001	UPZ C	2AUPZTF101JE	1	376331014T	
C5002	UPZ C	2AUPZTF101JE	1	376331014T	
C5003	UPZ C	2AUPZTF101JE	1	376331014T	
C5004	UPZ C	2AUPZTF101JE	1	376331014T	
C5005	UPZ C	2AUPZTF101JE	1	376331014T	
C5006	UPZ C	2AUPZTF101JE	1	376331014T	

C5010	UTSP C	CE04W50V 47M(UTSP)	1	397584707T		
C5011	UTSP C	CE04W50V 47M(UTSP)	1	397584707T		
C5012	UTSP C	CE04W50V 47M(UTSP)	1	397584707T		
C5013	UTSP C	CE04W50V 47M(UTSP)	1	397584707T		
C5014	UTSP C	CE04W50V 47M(UTSP)	1	397584707T		
C5015	UTSP C	CE04W50V 47M(UTSP)	1	397584707T		
C5016	UTSP C	CE04W50V 47M(UTSP)	1	397584707T		
C5020	UTSP C	CE04W50V-10M(UTSP)	1	397581007T		
C5021	UTSP C	CE04W50V-10M(UTSP)	1	397581007T		
C5022	UTSP C	CE04W50V-10M(UTSP)	1	397581007T		
C5023	UTSP C	CE04W50V-10M(UTSP)	1	397581007T		
C5024	UTSP C	CE04W50V-10M(UTSP)	1	397581007T		
C5025	UTSP C	CE04W50V-10M(UTSP)	1	397581007T		
C5026	UTSP C	CE04W50V-10M(UTSP)	1	397581007T		
C5040	UTSP C	CE04W10V-470M(UTSP)	1	397534717T		
C5041	UTSP C	CE04W10V-470M(UTSP)	1	397534717T		
C5042	UTSP C	CE04W10V-470M(UTSP)	1	397534717T		
C5043	UTSP C	CE04W10V-470M(UTSP)	1	397534717T		
C5044	UTSP C	CE04W10V-470M(UTSP)	1	397534717T		
C5045	UTSP C	CE04W10V-470M(UTSP)	1	397534717T		
C5046	UTSP C	CE04W10V-470M(UTSP)	1	397534717T		
C5050	UTSP C	CE04W50V 47M(UTSP)	1	397584707T		
C5051	UTSP C	CE04W50V 47M(UTSP)	1	397584707T		
C5052	UTSP C	CE04W50V 47M(UTSP)	1	397584707T		
C5053	UTSP C	CE04W50V 47M(UTSP)	1	397584707T		
C5054	UTSP C	CE04W50V 47M(UTSP)	1	397584707T		
C5055	UTSP C	CE04W50V 47M(UTSP)	1	397584707T		
C5056	UTSP C	CE04W50V 47M(UTSP)	1	397584707T		
C5080	CERA C	CC45SL50V-040C	1	345020401T		
C5081	CERA C	CC45SL50V-040C	1	345020401T		
C5082	CERA C	CC45SL50V-040C	1	345020401T		
C5083	CERA C	CC45SL50V-040C	1	345020401T		
C5084	CERA C	CC45SL50V-040C	1	345020401T		
C5085	CERA C	CC45SL50V-040C	1	345020401T		
C5086	CERA C	CC45SL50V-040C	1	345020401T		
C5090	UPZ C	2AUPZTF101JE	1	376331014T		
C5091	UPZ C	2AUPZTF101JE	1	376331014T		
C5092	UPZ C	2AUPZTF101JE	1	376331014T		
C5093	UPZ C	2AUPZTF101JE	1	376331014T		
C5094	UPZ C	2AUPZTF101JE	1	376331014T		
C5095	UPZ C	2AUPZTF101JE	1	376331014T		
C5096	UPZ C	2AUPZTF101JE	1	376331014T		
C5100	VR C	CE04W100V-22M(VR)	1	394692207T		
C5101	VR C	CE04W100V-22M(VR)	1	394692207T		

C5102	VR C	CE04W100V-22M(VR)	1	394692207T	
C5103	VR C	CE04W100V-22M(VR)	1	394692207T	
C5104	VR C	CE04W100V-22M(VR)	1	394692207T	
C5105	VR C	CE04W100V-22M(VR)	1	394692207T	
C5106	VR C	CE04W100V-22M(VR)	1	394692207T	
C5110	VR C	CE04W100V-22M(VR)	1	394692207T	
C5111	VR C	CE04W100V-22M(VR)	1	394692207T	
C5112	VR C	CE04W100V-22M(VR)	1	394692207T	
C5113	VR C	CE04W100V-22M(VR)	1	394692207T	
C5114	VR C	CE04W100V-22M(VR)	1	394692207T	
C5115	VR C	CE04W100V-22M(VR)	1	394692207T	
C5116	VR C	CE04W100V-22M(VR)	1	394692207T	
C5440	UTSP C	CE04W50V-22M(UTSP)	1	397582207T	
C5441	UTSP C	CE04W50V-22M(UTSP)	1	397582207T	
C5442	UTSP C	CE04W50V-22M(UTSP)	1	397582207T	
C5443	UTSP C	CE04W50V-22M(UTSP)	1	397582207T	
C5444	UTSP C	CE04W50V-22M(UTSP)	1	397582207T	
C5445	UTSP C	CE04W50V-22M(UTSP)	1	397582207T	
C5446	UTSP C	CE04W50V-22M(UTSP)	1	397582207T	
[RESISTOR]					
R5000	CARBON R	R16J-1.5K	1	417341524T	
R5001	CARBON R	R16J-1.5K	1	417341524T	
R5002	CARBON R	R16J-1.5K	1	417341524T	
R5003	CARBON R	R16J-1.5K	1	417341524T	
R5004	CARBON R	R16J-1.5K	1	417341524T	
R5005	CARBON R	R16J-1.5K	1	417341524T	
R5006	CARBON R	R16J-1.5K	1	417341524T	
R5010	CARBON R	R16J-33K	1	417343334T	
R5011	CARBON R	R16J-33K	1	417343334T	
R5012	CARBON R	R16J-33K	1	417343334T	
R5013	CARBON R	R16J-33K	1	417343334T	
R5014	CARBON R	R16J-33K	1	417343334T	
R5015	CARBON R	R16J-33K	1	417343334T	
R5016	CARBON R	R16J-33K	1	417343334T	
R5020	CARBON R	R16J-330	1	417343314T	
R5021	CARBON R	R16J-330	1	417343314T	
R5022	CARBON R	R16J-330	1	417343314T	
R5023	CARBON R	R16J-330	1	417343314T	
R5024	CARBON R	R16J-330	1	417343314T	
R5025	CARBON R	R16J-330	1	417343314T	
R5026	CARBON R	R16J-330	1	417343314T	
R5030	CARBON R	R16J-33K	1	417343334T	
R5031	CARBON R	R16J-33K	1	417343334T	
R5032	CARBON R	R16J-33K	1	417343334T	

R5033	CARBON R	R16J-33K	1	417343334T
R5034	CARBON R	R16J-33K	1	417343334T
R5035	CARBON R	R16J-33K	1	417343334T
R5036	CARBON R	R16J-33K	1	417343334T
R5040	CARBON R	R16J-1K	1	417341024T
R5041	CARBON R	R16J-1K	1	417341024T
R5042	CARBON R	R16J-1K	1	417341024T
R5043	CARBON R	R16J-1K	1	417341024T
R5044	CARBON R	R16J-1K	1	417341024T
R5045	CARBON R	R16J-1K	1	417341024T
R5046	CARBON R	R16J-1K	1	417341024T
R5050	CARBON R	R16J-5.6K	1	417345624T
R5051	CARBON R	R16J-5.6K	1	417345624T
R5052	CARBON R	R16J-5.6K	1	417345624T
R5053	CARBON R	R16J-5.6K	1	417345624T
R5054	CARBON R	R16J-5.6K	1	417345624T
R5055	CARBON R	R16J-5.6K	1	417345624T
R5056	CARBON R	R16J-5.6K	1	417345624T
R5060	CARBON R	R16J-2.7K	1	417342724T
R5061	CARBON R	R16J-2.7K	1	417342724T
R5062	CARBON R	R16J-2.7K	1	417342724T
R5063	CARBON R	R16J-2.7K	1	417342724T
R5064	CARBON R	R16J-2.7K	1	417342724T
R5065	CARBON R	R16J-2.7K	1	417342724T
R5066	CARBON R	R16J-2.7K	1	417342724T
R5080	NF CARBON R	R25J-1.0K	1	415471024T
R5081	NF CARBON R	R25J-1.0K	1	415471024T
R5082	NF CARBON R	R25J-1.0K	1	415471024T
R5083	NF CARBON R	R25J-1.0K	1	415471024T
R5084	NF CARBON R	R25J-1.0K	1	415471024T
R5085	NF CARBON R	R25J-1.0K	1	415471024T
R5086	NF CARBON R	R25J-1.0K	1	415471024T
R5090	CARBON R	R16J-100K	1	417341044T
R5091	CARBON R	R16J-100K	1	417341044T
R5092	CARBON R	R16J-100K	1	417341044T
R5093	CARBON R	R16J-100K	1	417341044T
R5094	CARBON R	R16J-100K	1	417341044T
R5095	CARBON R	R16J-100K	1	417341044T
R5096	CARBON R	R16J-100K	1	417341044T
R5100	CARBON R	R16J-100K	1	417341044T
R5101	CARBON R	R16J-100K	1	417341044T
R5102	CARBON R	R16J-100K	1	417341044T
R5103	CARBON R	R16J-100K	1	417341044T
R5104	CARBON R	R16J-100K	1	417341044T

R5105	CARBON R	R16J-100K	1	417341044T		
R5106	CARBON R	R16J-100K	1	417341044T		
R5110	CARBON R	R16J-2.2K	1	417342224T		
R5111	CARBON R	R16J-2.2K	1	417342224T		
R5112	CARBON R	R16J-2.2K	1	417342224T		
R5113	CARBON R	R16J-2.2K	1	417342224T		
R5114	CARBON R	R16J-2.2K	1	417342224T		
R5115	CARBON R	R16J-2.2K	1	417342224T		
R5116	CARBON R	R16J-2.2K	1	417342224T		
R5120	CARBON R	R16J-2.2K	1	417342224T		
R5121	CARBON R	R16J-2.2K	1	417342224T		
R5122	CARBON R	R16J-2.2K	1	417342224T		
R5123	CARBON R	R16J-2.2K	1	417342224T		
R5124	CARBON R	R16J-2.2K	1	417342224T		
R5125	CARBON R	R16J-2.2K	1	417342224T		
R5126	CARBON R	R16J-2.2K	1	417342224T		
R5130	CARBON R	R16J-18K	1	417341834T		
R5131	CARBON R	R16J-18K	1	417341834T		
R5132	CARBON R	R16J-18K	1	417341834T		
R5133	CARBON R	R16J-18K	1	417341834T		
R5134	CARBON R	R16J-18K	1	417341834T		
R5135	CARBON R	R16J-18K	1	417341834T		
R5136	CARBON R	R16J-18K	1	417341834T		
R5140	NF CARBON R	R25J-820	1	415478214T		
R5141	NF CARBON R	R25J-820	1	415478214T		
R5142	NF CARBON R	R25J-820	1	415478214T		
R5143	NF CARBON R	R25J-820	1	415478214T		
R5144	NF CARBON R	R25J-820	1	415478214T		
R5145	NF CARBON R	R25J-820	1	415478214T		
R5146	NF CARBON R	R25J-820	1	415478214T		
R5150	NF CARBON R	R25J-1.0K	1	415471024T		
R5151	NF CARBON R	R25J-1.0K	1	415471024T		
R5152	NF CARBON R	R25J-1.0K	1	415471024T		
R5153	NF CARBON R	R25J-1.0K	1	415471024T		
R5154	NF CARBON R	R25J-1.0K	1	415471024T		
R5155	NF CARBON R	R25J-1.0K	1	415471024T		
R5156	NF CARBON R	R25J-1.0K	1	415471024T		
R5160	NF CARBON R	R25J-120	1	415471214T		
R5161	NF CARBON R	R25J-120	1	415471214T		
R5162	NF CARBON R	R25J-120	1	415471214T		
R5163	NF CARBON R	R25J-120	1	415471214T		
R5164	NF CARBON R	R25J-120	1	415471214T		
R5165	NF CARBON R	R25J-120	1	415471214T		
R5166	NF CARBON R	R25J-120	1	415471214T		

R5170	NF CARBON R	R25J-820	1	415478214T
R5171	NF CARBON R	R25J-820	1	415478214T
R5172	NF CARBON R	R25J-820	1	415478214T
R5173	NF CARBON R	R25J-820	1	415478214T
R5174	NF CARBON R	R25J-820	1	415478214T
R5175	NF CARBON R	R25J-820	1	415478214T
R5176	NF CARBON R	R25J-820	1	415478214T
R5180	NF CARBON R	R25J-10	1	415471004T
R5181	NF CARBON R	R25J-10	1	415471004T
R5182	NF CARBON R	R25J-10	1	415471004T
R5183	NF CARBON R	R25J-10	1	415471004T
R5184	NF CARBON R	R25J-10	1	415471004T
R5185	NF CARBON R	R25J-10	1	415471004T
R5186	NF CARBON R	R25J-10	1	415471004T
R5190	NF CARBON R	R25J-10	1	415471004T
R5191	NF CARBON R	R25J-10	1	415471004T
R5192	NF CARBON R	R25J-10	1	415471004T
R5193	NF CARBON R	R25J-10	1	415471004T
R5194	NF CARBON R	R25J-10	1	415471004T
R5195	NF CARBON R	R25J-10	1	415471004T
R5196	NF CARBON R	R25J-10	1	415471004T
R5200	CARBON R	R16J-18K	1	417341834T
R5201	CARBON R	R16J-18K	1	417341834T
R5202	CARBON R	R16J-18K	1	417341834T
R5203	CARBON R	R16J-18K	1	417341834T
R5204	CARBON R	R16J-18K	1	417341834T
R5205	CARBON R	R16J-18K	1	417341834T
R5206	CARBON R	R16J-18K	1	417341834T
R5210	NF CARBON R	R25J-820	1	415478214T
R5211	NF CARBON R	R25J-820	1	415478214T
R5212	NF CARBON R	R25J-820	1	415478214T
R5213	NF CARBON R	R25J-820	1	415478214T
R5214	NF CARBON R	R25J-820	1	415478214T
R5215	NF CARBON R	R25J-820	1	415478214T
R5216	NF CARBON R	R25J-820	1	415478214T
R5220	NF CARBON R	R25J-120	1	415471214T
R5221	NF CARBON R	R25J-120	1	415471214T
R5222	NF CARBON R	R25J-120	1	415471214T
R5223	NF CARBON R	R25J-120	1	415471214T
R5224	NF CARBON R	R25J-120	1	415471214T
R5225	NF CARBON R	R25J-120	1	415471214T
R5226	NF CARBON R	R25J-120	1	415471214T
R5270	NF CARBON R	R25J-120	1	415471214T
R5271	NF CARBON R	R25J-120	1	415471214T

R5272	NF CARBON R	R25J-120	1	415471214T
R5273	NF CARBON R	R25J-120	1	415471214T
R5274	NF CARBON R	R25J-120	1	415471214T
R5275	NF CARBON R	R25J-120	1	415471214T
R5276	NF CARBON R	R25J-120	1	415471214T
R5280	NF CARBON R	R25J-120	1	415471214T
R5281	NF CARBON R	R25J-120	1	415471214T
R5282	NF CARBON R	R25J-120	1	415471214T
R5283	NF CARBON R	R25J-120	1	415471214T
R5284	NF CARBON R	R25J-120	1	415471214T
R5285	NF CARBON R	R25J-120	1	415471214T
R5286	NF CARBON R	R25J-120	1	415471214T
R5300	CARBON R	R16J-330	1	417343314T
R5301	CARBON R	R16J-330	1	417343314T
R5302	CARBON R	R16J-330	1	417343314T
R5303	CARBON R	R16J-330	1	417343314T
R5304	CARBON R	R16J-330	1	417343314T
R5305	CARBON R	R16J-330	1	417343314T
R5306	CARBON R	R16J-330	1	417343314T
R5310	CARBON R	R16J-330	1	417343314T
R5311	CARBON R	R16J-330	1	417343314T
R5312	CARBON R	R16J-330	1	417343314T
R5313	CARBON R	R16J-330	1	417343314T
R5314	CARBON R	R16J-330	1	417343314T
R5315	CARBON R	R16J-330	1	417343314T
R5316	CARBON R	R16J-330	1	417343314T
R5350	NF CARBON R	R25J-18	1	415471804T
R5351	NF CARBON R	R25J-18	1	415471804T
R5352	NF CARBON R	R25J-18	1	415471804T
R5353	NF CARBON R	R25J-18	1	415471804T
R5354	NF CARBON R	R25J-18	1	415471804T
R5355	NF CARBON R	R25J-18	1	415471804T
R5356	NF CARBON R	R25J-18	1	415471804T
R5360	NF CARBON R	R25J-18	1	415471804T
R5361	NF CARBON R	R25J-18	1	415471804T
R5362	NF CARBON R	R25J-18	1	415471804T
R5363	NF CARBON R	R25J-18	1	415471804T
R5364	NF CARBON R	R25J-18	1	415471804T
R5365	NF CARBON R	R25J-18	1	415471804T
R5366	NF CARBON R	R25J-18	1	415471804T
R5370	NF CARBON R	R25J-2.2	1	415470224T
R5371	NF CARBON R	R25J-2.2	1	415470224T
R5372	NF CARBON R	R25J-2.2	1	415470224T
R5373	NF CARBON R	R25J-2.2	1	415470224T

R5374	NF CARBON R	R25J-2.2	1	415470224T
R5375	NF CARBON R	R25J-2.2	1	415470224T
R5376	NF CARBON R	R25J-2.2	1	415470224T
R5380	NF CARBON R	R25J-2.2	1	415470224T
R5381	NF CARBON R	R25J-2.2	1	415470224T
R5382	NF CARBON R	R25J-2.2	1	415470224T
R5383	NF CARBON R	R25J-2.2	1	415470224T
R5384	NF CARBON R	R25J-2.2	1	415470224T
R5385	NF CARBON R	R25J-2.2	1	415470224T
R5386	NF CARBON R	R25J-2.2	1	415470224T
R5420	NF CARBON R	R25J-10	1	415471004T
R5421	NF CARBON R	R25J-10	1	415471004T
R5422	NF CARBON R	R25J-10	1	415471004T
R5423	NF CARBON R	R25J-10	1	415471004T
R5424	NF CARBON R	R25J-10	1	415471004T
R5425	NF CARBON R	R25J-10	1	415471004T
R5426	NF CARBON R	R25J-10	1	415471004T
R5440	TRIM R	N06HR2KBB	1	5211402T
R5441	TRIM R	N06HR2KBB	1	5211402T
R5442	TRIM R	N06HR2KBB	1	5211402T
R5443	TRIM R	N06HR2KBB	1	5211402T
R5444	TRIM R	N06HR2KBB	1	5211402T
R5445	TRIM R	N06HR2KBB	1	5211402T
R5446	TRIM R	N06HR2KBB	1	5211402T
R5450	CARBON R	R16J-3.9K	1	417343924T
R5451	CARBON R	R16J-3.9K	1	417343924T
R5452	CARBON R	R16J-3.9K	1	417343924T
R5453	CARBON R	R16J-3.9K	1	417343924T
R5454	CARBON R	R16J-3.9K	1	417343924T
R5455	CARBON R	R16J-3.9K	1	417343924T
R5456	CARBON R	R16J-3.9K	1	417343924T
R5470	NF CARBON R	R25J-82	1	415478204T
R5471	NF CARBON R	R25J-82	1	415478204T
R5472	NF CARBON R	R25J-82	1	415478204T
R5473	NF CARBON R	R25J-82	1	415478204T
R5474	NF CARBON R	R25J-82	1	415478204T
R5475	NF CARBON R	R25J-82	1	415478204T
R5476	NF CARBON R	R25J-82	1	415478204T
R5480	CARBON R	R16J-10	1	417341004T
R5481	CARBON R	R16J-10	1	417341004T
R5482	CARBON R	R16J-10	1	417341004T
R5483	CARBON R	R16J-10	1	417341004T
R5484	CARBON R	R16J-10	1	417341004T
R5485	CARBON R	R16J-10	1	417341004T

R5486	CARBON R	R16J-10	1	417341004T		
R5490	CARBON R	R16J-10	1	417341004T		
R5491	CARBON R	R16J-10	1	417341004T		
R5492	CARBON R	R16J-10	1	417341004T		
R5493	CARBON R	R16J-10	1	417341004T		
R5494	CARBON R	R16J-10	1	417341004T		
R5495	CARBON R	R16J-10	1	417341004T		
R5496	CARBON R	R16J-10	1	417341004T		

[SW TRM]

P6000A	SOCKET	NSCT-9P2189	1	25052292		
P6001A	SOCKET	NSCT-9P2189	1	25052292		
P6002A	SOCKET	NSCT-9P2189	1	25052292		
P6003A	SOCKET	NSCT-9P2189	1	25052292		
P6004A	SOCKET	NSCT-9P2189	1	25052292		
P6005A	SOCKET	NSCT-9P2189	1	25052292		
P6006A	SOCKET	NSCT-9P2189	1	25052292		
P6007A	TRM	NTM-1P233(M1969)	1	25060302		
P6008A	TRM	NTM-1P233(M1969)	1	25060302		
P6009A	TRM	NTM-1P233(M1969)	1	25060302		
P6010A	TRM	NTM-1P233(M1969)	1	25060302		

TX-SR608

PC BOARD PARTS LIST

U003	DG-AS(MPU/DAC Asy) U0030+U0031	BADG-0364-1V *	1	1B247564-1V	N	<B MDC, MDD, MDF>
U003	DG-AS(MPU/DAC Asy) U0030+U0031	BADG-0364-1W *	1	1B247564-1W	N	<B MMA, MMB, MMO, MMP, MMQ, MMR / G MMR / S MMP>
U0030	DG-AS(MPU/DAC Asy)	BADG-0364-1V	1	1B2475364-1V	N	<B MDC, MDD, MDF>
U0030	DG-AS(MPU/DAC Asy)	BADG-0364-1W	1	1B2475364-1W	N	<B MMA, MMB, MMO, MMP, MMQ, MMR / G MMR / S MMP>
U0031	PWB(U_port)	BAETC-0365-1V	1	1B2475365-1V	N	<B MDC, MDD, MDF>
U0031	PWB(U_port)	BAETC-0365-1W	1	1B2475365-1W	N	<B MMA, MMB, MMO, MMP, MMQ, MMR / G MMR / S MMP>

CIRCUIT. NO	PART NAME	DESCRIPTION	Q'TY	PART NO. (SN)	REMARKS
-------------	-----------	-------------	------	---------------	---------

[TUNER UNIT]

U131	PHT CP	JSR1165-001recieving	1	24120143	
U132	PHT CP	JSR1165-001recieving	1	24120143	

[SEMI CONDUCTOR]

D110	C-DIODE	KDS4148U	1	223283R2	NSP
D110 or	C-DIODE	1SS352	(1)	223234R2	NSP
D110 or	C-DIODE	MA2J111	(1)	223279R2	NSP
D111	C-DIODE	KDS4148U	1	223283R2	NSP
D111 or	C-DIODE	1SS352	(1)	223234R2	NSP
D111 or	C-DIODE	MA2J111	(1)	223279R2	NSP
D112	ZENER D	UDZS10B	1	224551000R2	

D131	C-DIODE	KDS4148U	1	223283R2	NSP	
D131 or	C-DIODE	1SS352	(1)	223234R2	NSP	
D131 or	C-DIODE	MA2J111	(1)	223279R2	NSP	
D132	C-DIODE	KDS4148U	1	223283R2	NSP	
D132 or	C-DIODE	1SS352	(1)	223234R2	NSP	
D132 or	C-DIODE	MA2J111	(1)	223279R2	NSP	
D182	DIODE	RL1N4003	1	22380260T		
D183	DIODE	RL1N4003	1	22380260T		
D601	C-DIODE	KDS4148U	1	223283R2	NSP	
D601 or	C-DIODE	1SS352	(1)	223234R2	NSP	
D601 or	C-DIODE	MA2J111	(1)	223279R2	NSP	
D701	C-DIODE	KDS4148U	1	223283R2	NSP	
D701 or	C-DIODE	1SS352	(1)	223234R2	NSP	
D701 or	C-DIODE	MA2J111	(1)	223279R2	NSP	
D702	C-DIODE	KDS4148U	1	223283R2	NSP	
D702 or	C-DIODE	1SS352	(1)	223234R2	NSP	
D702 or	C-DIODE	MA2J111	(1)	223279R2	NSP	
Q101	IC	LC72725KV-TLM-E	1	22242584R2		<B MMA, MMB, MMO, MMP, MMQ, MMR / G MMR / S MMP>
Q111	TR	2SC2235-Y(TPE6_F)	1	2211654T		
Q131	IC	TC74HCU04AF	1	222740046R2TO		
Q131 or	IC	74HCU04F	(1)	222740046R2		
Q153	IC	R1EX25064ASA00A	1	22242581R2		
Q153 or	IC	M95640-WMN6TP	(1)	22242643R2	N	
Q181	TR	KRC105S	1	2217290R2		
Q181 or	TR	RN1405	(1)	2214500R2		
Q2804	IC	NJM4580M-D	1	22241448R2		
Q301	IC	PCM9210PTR	1	22242629R2	N	
Q302	IC	PCM1690DCAR	1	22242599R2		
Q401	IC	NJM4580M-D	1	22241448R2		
Q402	IC	NJM4580M-D	1	22241448R2		
Q403	IC	NJM4580M-D	1	22241448R2		
Q404	IC	NJM4580M-D	1	22241448R2		
Q405	IC	NJM4580M-D	1	22241448R2		
Q601	TR	KRC104S	1	2216210R2		
Q601 or	TR	RN1404	(1)	2214490R2		
Q701	IC	MPD70F3746(03530)IC(FLASH	1	222W0079R303530		
Q702	IC	S-812C33AUA-C2N	1	22242222R2		
Q703	IC	S-812C56AUA-C3K	1	22242207R2		
Q704	IC	SN74CB3Q3305PWR	1	22242258R2		
Q746	IC	XC6221B332MR	1	22242633R2		
Q751	TR	KRC104S	1	2216210R2		
Q751 or	TR	RN1404	(1)	2214490R2		
Q752	TR	KRA102S	1	2216220R2		
Q752 or	TR	RN2402	(1)	2214530R2		

Q753	TR	KRA107S	1	2216350R2	
Q753 or	TR	RN2407(TE85L_F)	(1)	2216360R2	
Q754	TR	KRC102S	1	2216190R2	
Q754 or	TR	RN1402	(1)	2214470R2	
Q755	TR	KRA107S	1	2216350R2	
Q755 or	TR	RN2407(TE85L_F)	(1)	2216360R2	
Q756	TR	KRC102S	1	2216190R2	
Q756 or	TR	RN1402	(1)	2214470R2	
Q757	TR	KRC107S	1	2216340R2	
Q757 or	TR	RN1407	(1)	2216260R2	
Q761	TR	KRC104S	1	2216210R2	
Q761 or	TR	RN1404	(1)	2214490R2	
Q762	TR	KRA102S	1	2216220R2	
Q762 or	TR	RN2402	(1)	2214530R2	
Q771	TR	KRC104S	1	2216210R2	
Q771 or	TR	RN1404	(1)	2214490R2	
Q772	TR	KRA102S	1	2216220R2	
Q772 or	TR	RN2402	(1)	2214530R2	
[TRANS COIL]					
L101	CORE	BLM18PG181SN1D	1	2350005R1	<B MMA, MMB, MMO, MMP, MMQ, MMR / G MMR / S MMP>
L131	CHOKE COIL	LBC2518T2R2M	1	231364M022R2	
L132	CHOKE COIL	LBC2518T2R2M	1	231364M022R2	
L133	CHOKE COIL	LBC2518T470M	1	231364M470R2	
L134	CHOKE COIL	LBC2518T470M	1	231364M470R2	
L135	C-CARBON R	RN72K1J-000JE	1	435030004R1	NSP
L136	C-CARBON R	RN72K1J-000JE	1	435030004R1	NSP
L153	CORE	BLM18PG181SN1D	1	2350005R1	
L2800	CORE	BLM18PG181SN1D	1	2350005R1	
L2801	CORE	BLM18PG181SN1D	1	2350005R1	
L2802	CORE	BLM18PG181SN1D	1	2350005R1	
L2803	EMIFIL	BK1608LM182-T	1	230958R1	
L2804	EMIFIL	BK1608LM182-T	1	230958R1	
L2805	EMIFIL	BK1608LM182-T	1	230958R1	
L2806	EMIFIL	BK1608LM182-T	1	230958R1	
L2807	EMIFIL	BK1608LM182-T	1	230958R1	
L2808	EMIFIL	BK1608LM182-T	1	230958R1	
L2809	EMIFIL	BK1608LM182-T	1	230958R1	
L2810	EMIFIL	BK1608LM182-T	1	230958R1	
L2811	EMIFIL	BK1608LM182-T	1	230958R1	
L2812	EMIFIL	BK1608LM182-T	1	230958R1	
L2813	EMIFIL	BK1608LM182-T	1	230958R1	
L2814	EMIFIL	BK1608LM182-T	1	230958R1	
L2815	EMIFIL	BK1608LM182-T	1	230958R1	
L2816	EMIFIL	BK1608LM182-T	1	230958R1	

L2817	EMIFIL	BK1608LM182-T	1	230958R1		
L2818	EMIFIL	BK1608LM182-T	1	230958R1		
L301	EMIFIL	BK1608LM182-T	1	230958R1		
L302	EMIFIL	BK1608LM182-T	1	230958R1		
L303	CHOKE COIL	LBC2518T4R7M	1	231364M047R2		
L304	CHOKE COIL	LBC2518T4R7M	1	231364M047R2		
L305	CHOKE COIL	LBC2518T4R7M	1	231364M047R2		
L307	C-CARBON R	RN72K1J-000JE	1	435030004R1		
L401	CHOKE COIL	LBC2518T4R7M	1	231364M047R2		
L402	CHOKE COIL	LBC2518T4R7M	1	231364M047R2		
L500	CORE	BLM18PG181SN1D	1	2350005R1		
L742	CHOKE COIL	BLM21PG221SN1	1	230949R2		
L743	CORE	BLM18PG181SN1D	1	2350005R1		
L744	CORE	BLM18PG181SN1D	1	2350005R1		
L746	CORE	BLM18PG181SN1D	1	2350005R1		
L747	CORE	BLM18PG181SN1D	1	2350005R1		
X101	CRYSTAL	HC-49S 4.332MHz	1	3010469T		<B MMA, MMB, MMO, MMP, MMQ, MMR / G MMR / S MMP>
X171	CRYSTAL	HC-49US24.576MHz	1	3010490T	N	
X501	CERA LOCK	CSTCR5M00G53-B0	1	3010356R2		
[CAPACITOR]						
C102	C-CERA C	CK725F1E-104Z1	1	332161040R1	NSP	
C103	UTSP C	CE04W50V-10M(UTSP)	1	397581007T		<B MMA, MMB, MMO, MMP, MMQ, MMR / G MMR / S MMP>
C104	UTSP C	CE04W50V-10M(UTSP)	1	397581007T		<B MMA, MMB, MMO, MMP, MMQ, MMR / G MMR / S MMP>
C105	C-CERA C	CK725F1E-104Z1	1	332161040R1	NSP	<B MMA, MMB, MMO, MMP, MMQ, MMR / G MMR / S MMP>
C106	C-CERA C	CC725CH1H-331J1	1	342103314R1	NSP	<B MMA, MMB, MMO, MMP, MMQ, MMR / G MMR / S MMP>
C107	C-CERA C	CK725F1E-104Z1	1	332161040R1	NSP	<B MMA, MMB, MMO, MMP, MMQ, MMR / G MMR / S MMP>
C108	C-CERA C	CC725CH1H-150J1	1	342101504R1	NSP	<B MMA, MMB, MMO, MMP, MMQ, MMR / G MMR / S MMP>
C109	C-CERA C	CC725CH1H-150J1	1	342101504R1	NSP	<B MMA, MMB, MMO, MMP, MMQ, MMR / G MMR / S MMP>
C110	C-CERA C	CC725CH1H-331J1	1	342103314R1	NSP	<B MMA, MMB, MMO, MMP, MMQ, MMR / G MMR / S MMP>
C111	UTSP C	CE04W25V-47M(UTSP)	1	397554707T		
C112	C-CERA C	CK725F1E-104Z1	1	332161040R1	NSP	
C113	C-CERA C	CC725CH1H-221J1	1	342102214R1	NSP	<B MMA, MMB, MMO, MMP, MMQ, MMR / G MMR / S MMP>
C114	UTSP C	CE04W25V-47M(UTSP)	1	397554707T		
C130	C-CERA C	CK725F1E-104Z1	1	332161040R1	NSP	
C131	C-CERA C	CC725CH1H-101J1	1	342101014R1	NSP	
C132	C-CERA C	CC725CH1H-101J1	1	342101014R1	NSP	
C133	C-CERA C	CK725B1C-104K1	1	332121045R1	NSP	
C134	C-CERA C	CK725B1C-104K1	1	332121045R1	NSP	
C135	C-CERA C	CC725CH1H-080D1	1	342100802R1	NSP	
C136	C-CERA C	CC725CH1H-080D1	1	342100802R1	NSP	
C139	UTSP C	CE04W10V-220M(UTSP)	1	397532217T		
C140	C-CERA C	CK725F1E-104Z1	1	332161040R1	NSP	
C141	C-CERA C	CK725F1E-104Z1	1	332161040R1	NSP	
C142	C-CERA C	CK725F1E-104Z1	1	332161040R1	NSP	

C143	C-CERA C	CC725CH1H-330J1	1	342103304R1	NSP
C144	C-CERA C	CC725CH1H-330J1	1	342103304R1	NSP
C145	UTSP C	CE04W10V-220M(UTSP)	1	397532217T	
C151	C-CERA C	CK725F1E-104Z1	1	332161040R1	NSP
C172	C-CERA C	CC725CH1H-180J1	1	342101804R1	NSP
C173	C-CERA C	CC725CH1H-180J1	1	342101804R1	NSP
C2850	C-CERA C	CC725CH1H-471J1	1	342104714R1	NSP
C2851	C-CERA C	CC725CH1H-471J1	1	342104714R1	NSP
C2852	C-CERA C	CC725CH1H-470J1	1	342104704R1	NSP
C2855	C-CERA C	CK725F1E-104Z1	1	332161040R1	NSP
C2870	C-CERA C	CC725CH1H-101J1	1	342101014R1	NSP
C2871	C-CERA C	CC725CH1H-101J1	1	342101014R1	NSP
C2877	UTSP C	CE04W50V-10M(UTSP)	1	397581007T	
C2878	UTSP C	CE04W50V-10M(UTSP)	1	397581007T	
C2880	C-CERA C	CC725CH1H-101J1	1	342101014R1	NSP
C2881	C-CERA C	CC725CH1H-101J1	1	342101014R1	NSP
C2882	C-CERA C	CC725CH1H-101J1	1	342101014R1	NSP
C2883	C-CERA C	CC725CH1H-101J1	1	342101014R1	NSP
C2884	C-CERA C	CK732B1A-105K	1	337361055R2	NSP
C2885	C-CERA C	CK732B1A-105K	1	337361055R2	NSP
C2886	C-CERA C	CC725CH1H-471J1	1	342104714R1	NSP
C2887	C-CERA C	CC725CH1H-471J1	1	342104714R1	NSP
C2888	C-CERA C	CK725F1E-104Z1	1	332161040R1	NSP
C2889	C-CERA C	CK725F1E-104Z1	1	332161040R1	NSP
C2891	C-CERA C	CK732B1A-105K	1	337361055R2	NSP
C2892	C-CERA C	CK732B1A-105K	1	337361055R2	NSP
C2893	C-CERA C	CC725CH1H-471J1	1	342104714R1	NSP
C2894	C-CERA C	CC725CH1H-471J1	1	342104714R1	NSP
C2895	C-CERA C	CC725CH1H-471J1	1	342104714R1	NSP
C2896	C-CERA C	CC725CH1H-471J1	1	342104714R1	NSP
C2897	C-CERA C	CK732B1A-105K	1	337361055R2	NSP
C2898	C-CERA C	CK732B1A-105K	1	337361055R2	NSP
C305	C-CERA C	CK725F1E-104Z1	1	332161040R1	NSP
C306	UTSP C	CE04W10V-470M(UTSP)	1	397534717T	
C307	C-CERA C	CK725F1E-104Z1	1	332161040R1	NSP
C312	C-CERA C	CC725CH1H-221J1	1	342102214R1	NSP
C313	C-CERA C	CK725F1E-104Z1	1	332161040R1	NSP
C314	UTSP C	CE04W10V-470M(UTSP)	1	397534717T	
C315	C-CERA C	CK725B1H-472K1	1	332104725R1	NSP
C316	C-CERA C	CK725B1H-473K1	1	332104735R1	NSP
C317	C-CERA C	CK725F1E-104Z1	1	332161040R1	NSP
C318	UTSP C	CE04W10V-470M(UTSP)	1	397534717T	
C319	UTSJ C	CE04W25V-47M(UTSJ)	1	398054707AT	
C320	C-CERA C	CK725B1H-223K1	1	332102235R1	NSP

C351	UTSP C	CE04W10V-470M(UTSP)	1	397534717T	
C352	C-CERA C	CK725F1E-104Z1	1	332161040R1	NSP
C353	UTSP C	CE04W10V-470M(UTSP)	1	397534717T	
C354	C-CERA C	CK725F1E-104Z1	1	332161040R1	
C355	C-CERA C	CK725F1E-104Z1	1	332161040R1	NSP
C356	UTSJ C	CE04W25V-47M(UTSJ)	1	398054707AT	NSP
C357	C-CERA C	CK725F1E-104Z1	1	332161040R1	
C400	UPZ C	2AUPZTF471JE	1	376334714T	NSP
C401	UPZ C	2AUPZTF471JE	1	376334714T	
C402	UPZ C	2AUPZTF471JE	1	376334714T	
C403	UPZ C	2AUPZTF471JE	1	376334714T	
C404	UPZ C	2AUPZTF471JE	1	376334714T	
C405	UPZ C	2AUPZTF471JE	1	376334714T	
C406	UPZ C	2AUPZTF471JE	1	376334714T	
C407	UPZ C	2AUPZTF471JE	1	376334714T	
C410	UPZ C	2AUPZTF101JE	1	376331014T	
C411	UPZ C	2AUPZTF101JE	1	376331014T	
C412	UPZ C	2AUPZTF101JE	1	376331014T	
C413	C-CERA C	CC725CH1H-101J1	1	342101014R1	NSP
C414	C-CERA C	CC725CH1H-101J1	1	342101014R1	NSP
C415	C-CERA C	CC725CH1H-101J1	1	342101014R1	NSP
C416	C-CERA C	CC725CH1H-101J1	1	342101014R1	NSP
C417	UPZ C	2AUPZTF101JE	1	376331014T	
C420	UPZ C	2AUPZTF101JE	1	376331014T	
C421	UPZ C	2AUPZTF101JE	1	376331014T	
C422	UPZ C	2AUPZTF101JE	1	376331014T	
C423	C-CERA C	CC725CH1H-101J1	1	342101014R1	NSP
C424	C-CERA C	CC725CH1H-101J1	1	342101014R1	NSP
C425	C-CERA C	CC725CH1H-101J1	1	342101014R1	NSP
C426	C-CERA C	CC725CH1H-101J1	1	342101014R1	NSP
C427	UPZ C	2AUPZTF101JE	1	376331014T	
C470	UTSP C	CE04W50V-10M(UTSP)	1	397581007T	
C471	UTSP C	CE04W50V-10M(UTSP)	1	397581007T	
C501	UTSP C	CE04W50V-4.7M(UTSP)	1	397580477T	
C502	C-CERA C	CK725F1E-104Z1	1	332161040R1	NSP
C503	C-CERA C	CK725F1E-104Z1	1	332161040R1	NSP
C504	C-CERA C	CK725F1E-104Z1	1	332161040R1	NSP
C505	C-CERA C	CK725F1E-104Z1	1	332161040R1	NSP
C507	C-CERA C	CK725F1E-104Z1	1	332161040R1	NSP
C508	C-CERA C	CK725F1E-104Z1	1	332161040R1	NSP
C509	C-CERA C	CK725B0J-106K	1	332091065R2	NSP
C511	C-CERA C	CK725B1H-102K1	1	332101025R1	NSP
C512	C-CERA C	CK725B1H-102K1	1	332101025R1	NSP
C513	C-CERA C	CC725CH1H-101J1	1	342101014R1	NSP

C514	C-CERA C	CC725CH1H-101J1	1	342101014R1	NSP	
C515	C-CERA C	CC725CH1H-101J1	1	342101014R1	NSP	
C516	C-CERA C	CC725CH1H-101J1	1	342101014R1	NSP	
C517	C-CERA C	CK725F1E-104Z1	1	332161040R1	NSP	
C518	C-CERA C	CK725B1H-102K1	1	332101025R1	NSP	
C519	C-CERA C	CK725B1H-102K1	1	332101025R1	NSP	
C520	C-CERA C	CK725B1H-102K1	1	332101025R1	NSP	
C522	C-CERA C	CK725F1E-104Z1	1	332161040R1	NSP	
C523	C-CERA C	CK725B1H-102K1	1	332101025R1	NSP	
C524	C-CERA C	CK725B1H-102K1	1	332101025R1	NSP	
C525	C-CERA C	CK725F1E-104Z1	1	332161040R1	NSP	
C526	C-CERA C	CK725B1H-102K1	1	332101025R1	NSP	
C527	C-CERA C	CK725B1H-102K1	1	332101025R1	NSP	
C528	C-CERA C	CK725F1E-104Z1	1	332161040R1	NSP	
C551	C-CERA C	CK725F1E-104Z1	1	332161040R1	NSP	
C552	C-CERA C	CK725F1E-104Z1	1	332161040R1	NSP	
C613	C-CERA C	CK732B1C-474K	1	337394745R1	NSP	
C629	C-CERA C	CK725F1E-104Z1	1	332161040R1	NSP	
C701	C-CERA C	CK725F1E-104Z1	1	332161040R1	NSP	
C705	C-CERA C	CK725B0J-106K	1	332091065R2	NSP	
C706	UTSP C	CE04W16V-470M(UTSP)	1	397544717T		
C707	UTSP C	CE04W10V-100M(UTSP)	1	397531017T		
C708	UTSP C	CE04W10V-470M(UTSP)	1	397534717T		
C709	C-CERA C	CK725F1E-104Z1	1	332161040R1	NSP	
C710	C-CERA C	CK725F1E-104Z1	1	332161040R1	NSP	
C744	C-CERA C	CK725F1E-104Z1	1	332161040R1	NSP	
C745	C-CERA C	CK725B0J-106K	1	332091065R2	NSP	
C748	UTSP C	CE04W10V-100M(UTSP)	1	397531017T		
C751	UTSP C	CE04W50V-0.47M(UTSP)	1	397584797T		
C753	UTSP C	CE04W10V-470M(UTSP)	1	397534717T		
C761	UTSP C	CE04W50V-0.47M(UTSP)	1	397584797T		
C762	C-CERA C	CK732B1C-474K	1	337394745R1		
C771	UTSP C	CE04W50V-0.47M(UTSP)	1	397584797T		
C772	C-CERA C	CK732B1C-474K	1	337394745R1		
C800	C-CERA C	CK725F1E-104Z1	1	332161040R1		
C801	C-CERA C	CK725B1H-103K1	1	332101035R1		
C802	C-CERA C	CK725F1E-104Z1	1	332161040R1		
[RESISTOR]						
R107	C-CARBON R	RN72K1J-101JE	1	435031014R1	NSP	<B MMA, MMB, MMO, MMP, MMQ, MMR / G MMR / S MMP>
R108	C-CARBON R	RN72K1J-101JE	1	435031014R1	NSP	<B MMA, MMB, MMO, MMP, MMQ, MMR / G MMR / S MMP>
R110	C-CARBON R	RN72K1J-103JE	1	435031034R1	NSP	
R112	METAL O R	RS1/2WBJ-10	1	443521004T		
R113	C-CARBON R	RN72K1J-221JE	1	435032214R1	NSP	
R114	C-CARBON R	RN72K1J-221JE	1	435032214R1	NSP	

R115	C-CARBON R	RN72K1J-333JE	1	435033334R1	NSP
R131	C-CARBON R	RN72K1J-750JE	1	435037504R1	NSP
R132	C-CARBON R	RN72K1J-750JE	1	435037504R1	NSP
R133	C-CARBON R	RN72K1J-100JE	1	435031004R1	NSP
R134	C-CARBON R	RN72K1J-100JE	1	435031004R1	NSP
R137	C-CARBON R	RN72K1J-103JE	1	435031034R1	NSP
R138	C-CARBON R	RN72K1J-103JE	1	435031034R1	NSP
R139	C-CARBON R	RN72K1J-823JE	1	435038234R1	NSP
R140	C-CARBON R	RN72K1J-823JE	1	435038234R1	NSP
R141	C-CARBON R	RN72K1J-470JE	1	435034704R1	NSP
R142	C-CARBON R	RN72K1J-470JE	1	435034704R1	NSP
R151	C-CARBON R	RN72K1J-103JE	1	435031034R1	NSP
R152	C-CARBON R	RN72K1J-103JE	1	435031034R1	NSP
R153	C-CARBON R	RN72K1J-222JE	1	435032224R1	NSP
R154	C-CARBON R	RN72K1J-103JE	1	435031034R1	NSP
R181	METAL R	RNU1/2WCJ-4.7	1	453530474T	
R182	METAL R	RNU1/2WCJ-1	1	453530104T	
R2800	THERMISTOR	FUSB090F	1	4000252T	
R2804	C-CARBON R	RN72K1J-123JE	1	435031234R1	NSP
R2805	C-CARBON R	RN72K1J-123JE	1	435031234R1	NSP
R2806	C-CARBON R	RN72K1J-223JE	1	435032234R1	NSP
R2807	C-CARBON R	RN72K1J-223JE	1	435032234R1	NSP
R2808	C-CARBON R	RN72K1J-123JE	1	435031234R1	NSP
R2809	C-CARBON R	RN72K1J-123JE	1	435031234R1	NSP
R2810	C-CARBON R	RN72K1J-223JE	1	435032234R1	NSP
R2811	C-CARBON R	RN72K1J-223JE	1	435032234R1	NSP
R2820	C-CARBON R	RN72K1J-471JE	1	435034714R1	NSP
R2821	C-CARBON R	RN72K1J-471JE	1	435034714R1	NSP
R2830	C-CARBON R	RN72K1J-105JE	1	435031054R1	NSP
R2848	C-CARBON R	RN72K1J-000JE	1	435030004R1	NSP
R2849	C-CARBON R	RN72K1J-000JE	1	435030004R1	NSP
R2852	C-CARBON R	RN72K1J-750JE	1	435037504R1	NSP
R2861	C-CARBON R	RN72K1J-103JE	1	435031034R1	NSP
R2862	C-CARBON R	RN72K1J-103JE	1	435031034R1	NSP
R2863	C-CARBON R	RN72K1J-103JE	1	435031034R1	NSP
R2864	C-CARBON R	RN72K1J-103JE	1	435031034R1	NSP
R301	C-CARBON R	RN72K1J-470JE	1	435034704R1	NSP
R302	C-CARBON R	RN72K1J-000JE	1	435030004R1	NSP
R304	C-CARBON R	RN72K1J-221JE	1	435032214R1	NSP
R305	C-CARBON R	RN72K1J-221JE	1	435032214R1	NSP
R306	C-CARBON R	RN72K1J-330JE	1	435033304R1	NSP
R307	C-CARBON R	RN72K1J-331JE	1	435033314R1	NSP
R308	C-CARBON R	RN72K1J-331JE	1	435033314R1	NSP
R312	C-CARBON R	RN72K1J-470JE	1	435034704R1	NSP

R313	C-CARBON R	RN72K1J-470JE	1	435034704R1	NSP
R314	C-CARBON R	RN72K1J-151JE	1	435031514R1	NSP
R315	C-CARBON R	RN72K1J-151JE	1	435031514R1	NSP
R316	C-CARBON R	RN72K1J-470JE	1	435034704R1	NSP
R317	C-CARBON R	RN72K1J-331JE	1	435033314R1	NSP
R321	C-CARBON R	RN72K1J-331JE	1	435033314R1	NSP
R322	C-CARBON R	RN72K1J-331JE	1	435033314R1	NSP
R323	C-CARBON R	RN72K1J-331JE	1	435033314R1	NSP
R324	C-CARBON R	RN72K1J-331JE	1	435033314R1	NSP
R325	C-CARBON R	RN72K1J-331JE	1	435033314R1	NSP
R326	C-CARBON R	RN72K1J-331JE	1	435033314R1	NSP
R327	C-CARBON R	RN72K1J-221JE	1	435032214R1	NSP
R331	C-CARBON R	RN72K1J-221JE	1	435032214R1	NSP
R332	C-CARBON R	RN72K1J-681JE	1	435036814R1	NSP
R333	C-CARBON R	RN72K1J-221JE	1	435032214R1	NSP
R341	C-CARBON R	RN72K1J-000JE	1	435030004R1	NSP
R350	C-CARBON R	RN72K1J-331JE	1	435033314R1	NSP
R351	C-CARBON R	RN72K1J-331JE	1	435033314R1	NSP
R352	C-CARBON R	RN72K1J-331JE	1	435033314R1	NSP
R354	C-CARBON R	RN72K1J-221JE	1	435032214R1	NSP
R355	C-CARBON R	RN72K1J-220JE	1	435032204R1	NSP
R356	C-CARBON R	RN72K1J-220JE	1	435032204R1	NSP
R357	C-CARBON R	RN72K1J-220JE	1	435032204R1	NSP
R358	C-CARBON R	RN72K1J-220JE	1	435032204R1	NSP
R359	C-CARBON R	RN72K1J-220JE	1	435032204R1	NSP
R360	C-CARBON R	RN72K1J-220JE	1	435032204R1	NSP
R361	C-CARBON R	RN72K1J-331JE	1	435033314R1	NSP
R362	C-CARBON R	RN72K1J-472JE	1	435034724R1	NSP
R371	C-CARBON R	RN72K1J-102JE	1	435031024R1	NSP
R400	C-CARBON R	RN72K1J-153JE	1	435031534R1	NSP
R401	C-CARBON R	RN72K1J-153JE	1	435031534R1	NSP
R402	C-CARBON R	RN72K1J-153JE	1	435031534R1	NSP
R403	C-CARBON R	RN72K1J-153JE	1	435031534R1	NSP
R404	C-CARBON R	RN72K1J-153JE	1	435031534R1	NSP
R405	C-CARBON R	RN72K1J-153JE	1	435031534R1	NSP
R406	C-CARBON R	RN72K1J-153JE	1	435031534R1	NSP
R407	C-CARBON R	RN72K1J-153JE	1	435031534R1	NSP
R410	C-CARBON R	RN72K1J-153JE	1	435031534R1	NSP
R411	C-CARBON R	RN72K1J-153JE	1	435031534R1	NSP
R412	C-CARBON R	RN72K1J-153JE	1	435031534R1	NSP
R413	C-CARBON R	RN72K1J-153JE	1	435031534R1	NSP
R414	C-CARBON R	RN72K1J-153JE	1	435031534R1	NSP
R415	C-CARBON R	RN72K1J-153JE	1	435031534R1	NSP
R416	C-CARBON R	RN72K1J-153JE	1	435031534R1	NSP

R417	C-CARBON R	RN72K1J-153JE	1	435031534R1	NSP
R420	C-CARBON R	RN72K1J-103JE	1	435031034R1	NSP
R421	C-CARBON R	RN72K1J-103JE	1	435031034R1	NSP
R430	C-CARBON R	RN72K1J-103JE	1	435031034R1	NSP
R431	C-CARBON R	RN72K1J-103JE	1	435031034R1	NSP
R440	C-CARBON R	RN72K1J-123JE	1	435031234R1	NSP
R441	C-CARBON R	RN72K1J-123JE	1	435031234R1	NSP
R442	C-CARBON R	RN72K1J-223JE	1	435032234R1	NSP
R443	C-CARBON R	RN72K1J-223JE	1	435032234R1	NSP
R444	C-CARBON R	RN72K1J-223JE	1	435032234R1	NSP
R445	C-CARBON R	RN72K1J-223JE	1	435032234R1	NSP
R446	C-CARBON R	RN72K1J-223JE	1	435032234R1	NSP
R447	C-CARBON R	RN72K1J-223JE	1	435032234R1	NSP
R450	C-CARBON R	RN72K1J-123JE	1	435031234R1	NSP
R451	C-CARBON R	RN72K1J-123JE	1	435031234R1	NSP
R452	C-CARBON R	RN72K1J-223JE	1	435032234R1	NSP
R453	C-CARBON R	RN72K1J-223JE	1	435032234R1	NSP
R454	C-CARBON R	RN72K1J-223JE	1	435032234R1	NSP
R455	C-CARBON R	RN72K1J-223JE	1	435032234R1	NSP
R456	C-CARBON R	RN72K1J-223JE	1	435032234R1	NSP
R457	C-CARBON R	RN72K1J-223JE	1	435032234R1	NSP
R460	C-CARBON R	RN72K1J-182JE	1	435031824R1	NSP
R461	C-CARBON R	RN72K1J-182JE	1	435031824R1	NSP
R462	C-CARBON R	RN72K1J-182JE	1	435031824R1	NSP
R463	C-CARBON R	RN72K1J-182JE	1	435031824R1	NSP
R464	C-CARBON R	RN72K1J-182JE	1	435031824R1	NSP
R465	C-CARBON R	RN72K1J-182JE	1	435031824R1	NSP
R466	C-CARBON R	RN72K1J-182JE	1	435031824R1	NSP
R467	C-CARBON R	RN72K1J-182JE	1	435031824R1	NSP
R470	C-CARBON R	RN72K1J-182JE	1	435031824R1	NSP
R471	C-CARBON R	RN72K1J-182JE	1	435031824R1	NSP
R472	C-CARBON R	RN72K1J-182JE	1	435031824R1	NSP
R473	C-CARBON R	RN72K1J-182JE	1	435031824R1	NSP
R474	C-CARBON R	RN72K1J-182JE	1	435031824R1	NSP
R475	C-CARBON R	RN72K1J-182JE	1	435031824R1	NSP
R476	C-CARBON R	RN72K1J-182JE	1	435031824R1	NSP
R477	C-CARBON R	RN72K1J-182JE	1	435031824R1	NSP
R480	C-CARBON R	RN72K1J-273JE	1	435032734R1	NSP
R481	C-CARBON R	RN72K1J-273JE	1	435032734R1	NSP
R482	C-CARBON R	RN72K1J-223JE	1	435032234R1	NSP
R483	C-CARBON R	RN72K1J-223JE	1	435032234R1	NSP
R484	C-CARBON R	RN72K1J-103JE	1	435031034R1	NSP
R485	C-CARBON R	RN72K1J-103JE	1	435031034R1	NSP
R486	C-CARBON R	RN72K1J-103JE	1	435031034R1	NSP

R487	C-CARBON R	RN72K1J-103JE	1	435031034R1	NSP
R490	C-CARBON R	RN72K1J-102JE	1	435031024R1	NSP
R491	C-CARBON R	RN72K1J-102JE	1	435031024R1	NSP
R498	C-CARBON R	RN72K1J-100JE	1	435031004R1	NSP
R499	C-CARBON R	RN72K1J-100JE	1	435031004R1	NSP
R501	C-CARBON R	RN72K1J-473JE	1	435034734R1	NSP
R502	C-CARBON R	RN72K1J-221JE	1	435032214R1	NSP
R503	C-CARBON R	RN72K1J-103JE	1	435031034R1	NSP
R504	C-CARBON R	RN72K1J-000JE	1	435030004R1	NSP
R505	C-CARBON R	RN72K1J-103JE	1	435031034R1	NSP
R506	C-CARBON R	RN72K1J-221JE	1	435032214R1	NSP
R508	C-CARBON R	RN72K1J-105JE	1	435031054R1	NSP
R509	C-CARBON R	RN72K1J-221JE	1	435032214R1	NSP
R510	C-CARBON R	RN72K1J-470JE	1	435034704R1	NSP
R511	C-CARBON R	RN72K1J-473JE	1	435034734R1	NSP
R512	C-CARBON R	RN72K1J-221JE	1	435032214R1	NSP
R514	C-CARBON R	RN72K1J-470JE	1	435034704R1	NSP
R515	C-CARBON R	RN72K1J-470JE	1	435034704R1	NSP
R516	C-CARBON R	RN72K1J-470JE	1	435034704R1	NSP
R517	C-CARBON R	RN72K1J-470JE	1	435034704R1	NSP
R518	C-CARBON R	RN72K1J-103JE	1	435031034R1	NSP
R519	C-CARBON R	RN72K1J-470JE	1	435034704R1	NSP
R520	C-CARBON R	RN72K1J-103JE	1	435031034R1	NSP
R521	C-CARBON R	RN72K1J-470JE	1	435034704R1	NSP
R522	C-CARBON R	RN72K1J-470JE	1	435034704R1	NSP
R523	C-CARBON R	RN72K1J-470JE	1	435034704R1	NSP
R524	C-CARBON R	RN72K1J-103JE	1	435031034R1	NSP
R527	C-CARBON R	RN72K1J-470JE	1	435034704R1	NSP
R529	C-CARBON R	RN72K1J-470JE	1	435034704R1	NSP
R530	C-CARBON R	RN72K1J-470JE	1	435034704R1	NSP
R531	C-CARBON R	RN72K1J-103JE	1	435031034R1	NSP
R532	C-CARBON R	RN72K1J-472JE	1	435034724R1	NSP
R533	C-CARBON R	RN72K1J-472JE	1	435034724R1	NSP
R534	C-CARBON R	RN72K1J-223JE	1	435032234R1	NSP
R535	C-CARBON R	RN72K1J-223JE	1	435032234R1	NSP
R536	C-CARBON R	RN72K1J-223JE	1	435032234R1	NSP
R537	C-CARBON R	RN72K1J-223JE	1	435032234R1	NSP
R538	C-CARBON R	RN72K1J-103JE	1	435031034R1	NSP
R543	C-CARBON R	RN72K1J-103JE	1	435031034R1	NSP
R544	C-CARBON R	RN72K1J-221JE	1	435032214R1	NSP
R545	C-CARBON R	RN72K1J-221JE	1	435032214R1	NSP
R546	C-CARBON R	RN72K1J-221JE	1	435032214R1	NSP
R547	C-CARBON R	RN72K1J-221JE	1	435032214R1	NSP
R548	C-CARBON R	RN72K1J-221JE	1	435032214R1	NSP

R550	C-CARBON R	RN72K1J-470JE	1	435034704R1	NSP	
R551	C-CARBON R	RN72K1J-103JE	1	435031034R1	NSP	
R552	C-CARBON R	RN72K1J-103JE	1	435031034R1	NSP	
R553	C-CARBON R	RN72K1J-470JE	1	435034704R1	NSP	
R554	C-CARBON R	RN72K1J-103JE	1	435031034R1	NSP	
R556	C-CARBON R	RN72K1J-470JE	1	435034704R1	NSP	
R557	C-CARBON R	RN72K1J-103JE	1	435031034R1	NSP	
R558	C-CARBON R	RN72K1J-470JE	1	435034704R1	NSP	
R559	C-CARBON R	RN72K1J-272JE	1	435032724R1	NSP	
R560	C-CARBON R	RN72K1J-470JE	1	435034704R1	NSP	<B MDC, MDD, MDF>
R561	C-CARBON R	RN72K1J-471JE	1	435034714R1	NSP	<B MDC, MDD, MDF>
R562	C-CARBON R	RN72K1J-103JE	1	435031034R1	NSP	
R563	C-CARBON R	RN72K1J-103JE	1	435031034R1	NSP	
R564	C-CARBON R	RN72K1J-470JE	1	435034704R1	NSP	<B MDC, MDD, MDF>
R565	C-CARBON R	RN72K1J-470JE	1	435034704R1	NSP	
R566	C-CARBON R	RN72K1J-222JE	1	435032224R1	NSP	
R567	C-CARBON R	RN72K1J-470JE	1	435034704R1	NSP	
R568	C-CARBON R	RN72K1J-222JE	1	435032224R1	NSP	
R569	C-CARBON R	RN72K1J-102JE	1	435031024R1	NSP	
R570	C-CARBON R	RN72K1J-273JE	1	435032734R1	NSP	
R571	C-CARBON R	RN72K1J-102JE	1	435031024R1	NSP	
R572	C-CARBON R	RN72K1J-273JE	1	435032734R1	NSP	
R573	C-CARBON R	RN72K1J-221JE	1	435032214R1	NSP	
R574	C-CARBON R	RN72K1J-470JE	1	435034704R1	NSP	
R575	C-CARBON R	RN72K1J-470JE	1	435034704R1	NSP	
R576	C-CARBON R	RN72K1J-470JE	1	435034704R1	NSP	
R578	C-CARBON R	RN72K1J-470JE	1	435034704R1	NSP	
R579	C-CARBON R	RN72K1J-470JE	1	435034704R1	NSP	
R580	C-CARBON R	RN72K1J-103JE	1	435031034R1	NSP	
R581	C-CARBON R	RN72K1J-103JE	1	435031034R1	NSP	
R582	C-CARBON R	RN72K1J-221JE	1	435032214R1	NSP	
R583	C-CARBON R	RN72K1J-221JE	1	435032214R1	NSP	
R584	C-CARBON R	RN72K1J-103JE	1	435031034R1	NSP	
R585	C-CARBON R	RN72K1J-221JE	1	435032214R1	NSP	
R586	C-CARBON R	RN72K1J-103JE	1	435031034R1	NSP	
R587	C-CARBON R	RN72K1J-221JE	1	435032214R1	NSP	
R588	C-CARBON R	RN72K1J-103JE	1	435031034R1	NSP	
R589	C-CARBON R	RN72K1J-470JE	1	435034704R1	NSP	
R590	C-CARBON R	RN72K1J-103JE	1	435031034R1	NSP	
R591	C-CARBON R	RN72K1J-470JE	1	435034704R1	NSP	
R592	C-CARBON R	RN72K1J-470JE	1	435034704R1	NSP	
R593	C-CARBON R	RN72K1J-221JE	1	435032214R1	NSP	
R594	C-CARBON R	RN72K1J-221JE	1	435032214R1	NSP	
R595	C-CARBON R	RN72K1J-221JE	1	435032214R1	NSP	

R596	C-CARBON R	RN72K1J-103JE	1	435031034R1	NSP
R597	C-CARBON R	RN72K1J-470JE	1	435034704R1	NSP
R598	C-CARBON R	RN72K1J-221JE	1	435032214R1	NSP
R599	C-CARBON R	RN72K1J-103JE	1	435031034R1	NSP
R600	C-CARBON R	RN72K1J-103JE	1	435031034R1	NSP
R601	C-CARBON R	RN72K1J-470JE	1	435034704R1	NSP
R602	C-CARBON R	RN72K1J-470JE	1	435034704R1	NSP
R603	C-CARBON R	RN72K1J-470JE	1	435034704R1	NSP
R604	C-CARBON R	RN72K1J-103JE	1	435031034R1	NSP
R605	C-CARBON R	RN72K1J-221JE	1	435032214R1	NSP
R606	C-CARBON R	RN72K1J-470JE	1	435034704R1	NSP
R607	C-CARBON R	RN72K1J-470JE	1	435034704R1	NSP
R608	C-CARBON R	RN72K1J-470JE	1	435034704R1	NSP
R609	C-CARBON R	RN72K1J-102JE	1	435031024R1	NSP
R611	C-CARBON R	RN72K1J-102JE	1	435031024R1	NSP
R613	C-CARBON R	RN72K1J-102JE	1	435031024R1	NSP
R614	C-CARBON R	RN72K1J-103JE	1	435031034R1	NSP
R616	C-CARBON R	RN72K1J-103JE	1	435031034R1	NSP
R617	C-CARBON R	RN72K1J-221JE	1	435032214R1	NSP
R618	C-CARBON R	RN72K1J-103JE	1	435031034R1	NSP
R619	C-CARBON R	RN72K1J-470JE	1	435034704R1	NSP
R620	C-CARBON R	RN72K1J-103JE	1	435031034R1	NSP
R621	C-CARBON R	RN72K1J-221JE	1	435032214R1	NSP
R622	C-CARBON R	RN72K1J-470JE	1	435034704R1	NSP
R623	C-CARBON R	RN72K1J-103JE	1	435031034R1	NSP
R625	C-CARBON R	RN72K1J-470JE	1	435034704R1	NSP
R626	C-CARBON R	RN72K1J-103JE	1	435031034R1	NSP
R627	C-CARBON R	RN72K1J-000JE	1	435030004R1	NSP
R628	C-CARBON R	RN72K1J-221JE	1	435032214R1	NSP
R629	C-CARBON R	RN72K1J-221JE	1	435032214R1	NSP
R630	C-CARBON R	RN72K1J-221JE	1	435032214R1	NSP
R631	C-CARBON R	RN72K1J-470JE	1	435034704R1	NSP
R632	C-CARBON R	RN72K1J-470JE	1	435034704R1	NSP
R634	C-CARBON R	RN72K1J-470JE	1	435034704R1	NSP
R636	C-CARBON R	RN72K1J-470JE	1	435034704R1	NSP
R638	C-CARBON R	RN72K1J-470JE	1	435034704R1	NSP
R639	C-CARBON R	RN72K1J-103JE	1	435031034R1	NSP
R640	C-CARBON R	RN72K1J-470JE	1	435034704R1	NSP
R641	C-CARBON R	RN72K1J-103JE	1	435031034R1	NSP
R642	C-CARBON R	RN72K1J-221JE	1	435032214R1	NSP
R643	C-CARBON R	RN72K1J-103JE	1	435031034R1	NSP
R644	C-CARBON R	RN72K1J-221JE	1	435032214R1	NSP
R645	C-CARBON R	RN72K1J-103JE	1	435031034R1	NSP
R646	C-CARBON R	RN72K1J-221JE	1	435032214R1	NSP

R647	C-CARBON R	RN72K1J-103JE	1	435031034R1	NSP	
R648	C-CARBON R	RN72K1J-221JE	1	435032214R1	NSP	
R650	C-CARBON R	RN72K1J-221JE	1	435032214R1	NSP	
R651	C-CARBON R	RN72K1J-103JE	1	435031034R1	NSP	
R652	C-CARBON R	RN72K1J-102JE	1	435031024R1	NSP	
R653	C-CARBON R	RN72K1J-105JE	1	435031054R1	NSP	
R654	C-CARBON R	RN72K1J-103JE	1	435031034R1	NSP	
R655	C-CARBON R	RN72K1J-221JE	1	435032214R1	NSP	
R656	C-CARBON R	RN72K1J-221JE	1	435032214R1	NSP	
R658	C-CARBON R	RN72K1J-221JE	1	435032214R1	NSP	
R659	C-CARBON R	RN72K1J-273JE	1	435032734R1	NSP	
R660	C-CARBON R	RN72K1J-221JE	1	435032214R1	NSP	
R661	C-CARBON R	RN72K1J-221JE	1	435032214R1	NSP	
R662	C-CARBON R	RN72K1J-000JE	1	435030004R1	NSP	
R664	C-CARBON R	RN72K1J-000JE	1	435030004R1	NSP	
R667	C-CARBON R	RN72K1J-103JE	1	435031034R1	NSP	
R668	C-CARBON R	RN72K1J-000JE	1	435030004R1	NSP	<B MDC, MDD, MDF>
R669	C-CARBON R	RN72K1J-103JE	1	435031034R1	NSP	<B MMA, MMB, MMO, MMP, MMQ, MMR / G MMR / S MMP>
R670	C-CARBON R	RN72K1J-472JE	1	435034724R1	NSP	
R671	C-CARBON R	RN72K1J-272JE	1	435032724R1	NSP	
R672	C-CARBON R	RN72K1J-472JE	1	435034724R1	NSP	
R673	C-CARBON R	RN72K1J-272JE	1	435032724R1	NSP	
R674	C-CARBON R	RN72K1J-472JE	1	435034724R1	NSP	
R675	C-CARBON R	RN72K1J-272JE	1	435032724R1	NSP	
R676	C-CARBON R	RN72K1J-472JE	1	435034724R1	NSP	
R677	C-CARBON R	RN72K1J-272JE	1	435032724R1	NSP	
R681	C-CARBON R	RN72K1J-473JE	1	435034734R1	NSP	
R682	C-CARBON R	RN72K1J-103JE	1	435031034R1	NSP	
R683	C-CARBON R	RN72K1J-103JE	1	435031034R1	NSP	
R684	C-CARBON R	RN72K1J-000JE	1	435030004R1	NSP	
R685	C-CARBON R	RN72K1J-000JE	1	435030004R1	NSP	
R686	C-CARBON R	RN72K1J-103JE	1	435031034R1	NSP	
R687	C-CARBON R	RN72K1J-103JE	1	435031034R1	NSP	
R688	C-CARBON R	RN72K1J-103JE	1	435031034R1	NSP	
R691	C-CARBON R	RN72K1J-103JE	1	435031034R1	NSP	
R693	C-CARBON R	RN72K1J-103JE	1	435031034R1	NSP	
R694	C-CARBON R	RN72K1J-221JE	1	435032214R1	NSP	
R695	C-CARBON R	RN72K1J-221JE	1	435032214R1	NSP	
R696	C-CARBON R	RN72K1J-470JE	1	435034704R1	NSP	
R697	C-CARBON R	RN72K1J-470JE	1	435034704R1	NSP	
R701	C-CARBON R	RN72K1J-000JE	1	435030004R1	NSP	
R702	C-CARBON R	RN72K1J-000JE	1	435030004R1	NSP	
R705	C-CARBON R	RN72K1J-000JE	1	435030004R1	NSP	
R708	C-CARBON R	RN72K1J-103JE	1	435031034R1	NSP	

R709	C-CARBON R	RN72K1J-103JE	1	435031034R1	NSP
R712	C-CARBON R	RN72K1J-102JE	1	435031024R1	NSP
R713	C-CARBON R	RN72K1J-222JE	1	435032224R1	NSP
R714	C-CARBON R	RN72K1J-103JE	1	435031034R1	NSP
R715	C-CARBON R	RN72K1J-103JE	1	435031034R1	NSP
R716	C-CARBON R	RN72K1J-470JE	1	435034704R1	NSP
R721	C-CARBON R	RN72K1J-103JE	1	435031034R1	NSP
R723	C-CARBON R	RN72K1J-101JE	1	435031014R1	NSP
R724	C-CARBON R	RN72K1J-101JE	1	435031014R1	NSP
R725	C-CARBON R	RN72K1J-221JE	1	435032214R1	NSP
R726	C-CARBON R	RN72K1J-273JE	1	435032734R1	NSP
R761	C-CARBON R	RN72K1J-103JE	1	435031034R1	NSP
R762	C-CARBON R	RN72K1J-222JE	1	435032224R1	NSP
R763	C-CARBON R	RN72K1J-102JE	1	435031024R1	NSP
R771	C-CARBON R	RN72K1J-103JE	1	435031034R1	NSP
R772	C-CARBON R	RN72K1J-222JE	1	435032224R1	NSP
R773	C-CARBON R	RN72K1J-102JE	1	435031024R1	NSP
R801	C-CARBON R	RN72K1J-000JE	1	435030004R1	NSP
R806	C-CARBON R	RN72K1J-000JE	1	435030004R1	NSP
R808	C-CARBON R	RN72K1J-000JE	1	435030004R1	NSP
R810	C-CARBON R	RN72K1J-000JE	1	435030004R1	NSP
R822	C-CARBON R	RN72K1J-000JE	1	435030004R1	NSP
[SW TRM]					
JL501B	WIRE TRAP	NPLG-3P586	1	25055624	
JL502B	WIRE TRAP	NPLG-5P588	1	25055626	
JL610B	WIRE TRAP	NPLG-7P590	1	25055628	
JL901B	WIRE TRAP	NPLG-5P588	1	25055626	
P101A	SOCKET	NSCT-11P2104	1	25052207	
P131	PIN JACK	NPJ-2PDO0626	1	25045847	
P131 or	PIN JACK	NPJ-2PDO445	(1)	25045640	
P2001A	SOCKET	IMSA-9142S-24A	1	25053234	
P2002B	SOCKET	NSCT-15P2195	1	25052298	
P2081	SOCKET	NNA1-01-006	1	25053357	
P5501A	SOCKET	NSCT-7P2187	1	25052290	
P5502A	SOCKET	NSCT-15P2195	1	25052298	
P5503A	SOCKET	NSCT-9P2189	1	25052292	
P5504A	SOCKET	NSCT-7P2187	1	25052290	
P701A	SOCKET	NSCT-31P2124	1	25052227	
P751A	SOCKET	IMSA-9618S-09A	1	25053334R2	
P8001A	PLUG	IMSA-9111B-16	1	25056620	
P8002A	PLUG	IMSA-9111B-24	1	25056625	

TX-SR608

PC BOARD PARTS LIST

U004	DIS-AS(Display Asy) U0040+U0041+U0042+U0043+U0044	BADIS-0373-1P *	1	1B247573-1P	N	<B MDC, MDD, MDF>
U004	DIS-AS(Display Asy) U0040+U0041+U0042+U0043+U0044	BADIS-0373-1Q *	1	1B247573-1Q	N	<B MMA, MMB, MMO, MMP, MMQ, MMR / G MMR / S MMP>
U0040	DIS-AS(Display Asy)	BADIS-0373-1P	1	1B2475373-1P	N	<B MDC, MDD, MDF>
U0040	DIS-AS(Display Asy)	BADIS-0373-1Q	1	1B2475373-1Q	N	<B MMA, MMB, MMO, MMP, MMQ, MMR / G MMR / S MMP>
U0041	PWB(Standby Key/LED)	BADIS-0374-1P	1	1B2475374-1P	N	<B MDC, MDD, MDF>
U0041	PWB(Standby Key/LED)	BADIS-0374-1Q	1	1B2475374-1Q	N	<B MMA, MMB, MMO, MMP, MMQ, MMR / G MMR / S MMP>
U0042	PWB(Video Asy)	BAVD-0375-1P	1	1B2475375-1P	N	<B MDC, MDD, MDF>
U0042	PWB(Video Asy)	BAVD-0375-1Q	1	1B2475375-1Q	N	<B MMA, MMB, MMO, MMP, MMQ, MMR / G MMR / S MMP>
U0043	PWB(Power Supply)	BAETC-0376-1P	1	1B2475376-1P	N	<B MDC, MDD, MDF>
U0043	PWB(Power Supply)	BAETC-0376-1Q	1	1B2475376-1Q	N	<B MMA, MMB, MMO, MMP, MMQ, MMR / G MMR / S MMP>
U0044	PWB(HP Jack)	BAETC-0377-1P	1	1B2475377-1P	N	<B MDC, MDD, MDF>
U0044	PWB(HP Jack)	BAETC-0377-1Q	1	1B2475377-1Q	N	<B MMA, MMB, MMO, MMP, MMQ, MMR / G MMR / S MMP>

CIRCUIT. NO	PART NAME	DESCRIPTION	Q'TY	PART NO. (SN)	REMARKS
[TUNER UNIT]					
U7041	REMO SENS	KSM-603TE5B	1	24130019	
[SEMI CONDUCTOR]					
D7002	ZENER D	UDZS8.2B	1	224550820R2	
D7033	ZENER D	UDZS3.9B	1	224550390R2	
D7151	LED	SLI-343URC-TE7	1	225449T	
D7152	LED	SLI-343Y8C-TE7	1	225490T	N
D7153	LED	SLR-342MGTE7P	1	225455T	
D7154	LED	SCB3318E-D2	1	225487	<B MMA, MMB, MMO, MMP, MMQ, MMR / G MMR / S MMP>
D7301	C-DIODE	KDS4148U	1	223283R2	NSP
D7301 or	C-DIODE	1SS352	(1)	223234R2	NSP
D7301 or	C-DIODE	MA2J111	(1)	223279R2	NSP
D7302	C-DIODE	KDS4148U	1	223283R2	NSP
D7302 or	C-DIODE	1SS352	(1)	223234R2	NSP
D7302 or	C-DIODE	MA2J111	(1)	223279R2	NSP
D7401	ZENER D	UDZS5.1B	1	224550510R2	
D7411	ZENER D	UDZS6.8B	1	224550680R2	
D7412	ZENER D	UDZS6.8B	1	224550680R2	
D9011	DIODE	D5SBA20	1	22380130	
D9011A	SCREW	3P+10FN(3BC)	1	82143010GR	
D9011B	HEAT SINK	RAD-083	1	27160271	
D9014	C-DIODE	KDS4148U	1	223283R2	NSP
D9014 or	C-DIODE	1SS352	(1)	223234R2	NSP
D9014 or	C-DIODE	MA2J111	(1)	223279R2	NSP
D9015	C-DIODE	KDS4148U	1	223283R2	NSP
D9015 or	C-DIODE	1SS352	(1)	223234R2	NSP
D9015 or	C-DIODE	MA2J111	(1)	223279R2	NSP
D9016	ZENER D	UDZS6.2B	1	224550620R2	

D9023	C-DIODE	KDS4148U	1	223283R2	NSP
D9023 or	C-DIODE	1SS352	(1)	223234R2	NSP
D9023 or	C-DIODE	MA2J111	(1)	223279R2	NSP
D9025	C-DIODE	KDS4148U	1	223283R2	NSP
D9025 or	C-DIODE	1SS352	(1)	223234R2	NSP
D9025 or	C-DIODE	MA2J111	(1)	223279R2	NSP
D9032	C-DIODE	KDS4148U	1	223283R2	NSP
D9032 or	C-DIODE	1SS352	(1)	223234R2	NSP
D9032 or	C-DIODE	MA2J111	(1)	223279R2	NSP
D911	C-DIODE	KDS4148U	1	223283R2	NSP
D911 or	C-DIODE	1SS352	(1)	223234R2	NSP
D911 or	C-DIODE	MA2J111	(1)	223279R2	NSP
D912	C-DIODE	KDS4148U	1	223283R2	NSP
D912 or	C-DIODE	1SS352	(1)	223234R2	NSP
D912 or	C-DIODE	MA2J111	(1)	223279R2	NSP
D921	C-DIODE	KDS4148U	1	223283R2	NSP
D921 or	C-DIODE	1SS352	(1)	223234R2	NSP
D921 or	C-DIODE	MA2J111	(1)	223279R2	NSP
D922	C-DIODE	KDS4148U	1	223283R2	NSP
D922 or	C-DIODE	1SS352	(1)	223234R2	NSP
D922 or	C-DIODE	MA2J111	(1)	223279R2	NSP
D923	C-DIODE	KDS4148U	1	223283R2	NSP
D923 or	C-DIODE	1SS352	(1)	223234R2	NSP
D923 or	C-DIODE	MA2J111	(1)	223279R2	NSP
D924	C-DIODE	KDS4148U	1	223283R2	NSP
D924 or	C-DIODE	1SS352	(1)	223234R2	NSP
D924 or	C-DIODE	MA2J111	(1)	223279R2	NSP
D925	C-DIODE	KDS4148U	1	223283R2	NSP
D925 or	C-DIODE	1SS352	(1)	223234R2	NSP
D925 or	C-DIODE	MA2J111	(1)	223279R2	NSP
D930	C-DIODE	KDS4148U	1	223283R2	NSP
D930 or	C-DIODE	1SS352	(1)	223234R2	NSP
D930 or	C-DIODE	MA2J111	(1)	223279R2	NSP
D931	C-DIODE	KDS4148U	1	223283R2	NSP
D931 or	C-DIODE	1SS352	(1)	223234R2	NSP
D931 or	C-DIODE	MA2J111	(1)	223279R2	NSP
D933	C-DIODE	KDS4148U	1	223283R2	NSP
D933 or	C-DIODE	1SS352	(1)	223234R2	NSP
D933 or	C-DIODE	MA2J111	(1)	223279R2	NSP
D934	ZENER D	UDZS5.6B	1	224550560R2	
D935	C-DIODE	KDS4148U	1	223283R2	NSP
D935 or	C-DIODE	1SS352	(1)	223234R2	NSP
D935 or	C-DIODE	MA2J111	(1)	223279R2	NSP
Q2001	IC	NJW1326FH2	1	22242583R3	

Q2002	IC	NJM2505AF	1	22242490R2		
Q2002 or	IC	BH7673G-TR	(1)	22242661R2		
Q2501	TR	2SA950-Y	1	2211504T		
Q2502	TR	2SC1815-GR	1	2211255T		
Q7002	FL TUBE	16-BT-162GNK	1	212273		
Q7002A	HOLDER	(FL)	1	27191222C		
Q7003	IC	M66005-0001AHP	1	22242208R3		
Q7004	TR	KTC3875-GR	1	2216175R2		
Q7005	TR	KRA102S	1	2216220R2		
Q7007	TR	KRC102S	1	2216190R2		
Q7033	TR	KTC3875-GR	1	2216175R2		
Q7153	TR	DTC123JKA	1	2216690R2		
Q7154	TR	DTC123JKA	1	2216690R2		
Q7401	IC	NJM4580M-D	1	22241448R2		
Q7403	TR	DTC114TKA	1	2216670R2		
Q7404	TR	DTC114TKA	1	2216670R2		
Q9022	IC	78M05(NJM78M05FA)	1	222780055JRC		
Q9022 or	IC	78M05AHF(MPC78M05AHF)	(1)	222780055NEC		
Q9022A	SCREW	3P+6FN(3BC)	1	82143006GR	NSP	
Q9022B	HEAT SINK	RAD-157	1	27160491	NSP	
Q9031	IC	MPC2905BHF	1	22278005DBNE		
Q9031A	SCREW	3P+10FN(3BC)	1	82143010GR	NSP	
Q9031B	HEAT SINK	RAD-140	1	27160471	NSP	
[TRANS COIL]						
L7031	CHOKE COIL	LBC2518T2R2M	1	231364M022R2		
L7032	CHOKE COIL	LBC2518T2R2M	1	231364M022R2		
L7201	CHOKE COIL	LBC2518T2R2M	1	231364M022R2		
L7202	CHOKE COIL	LBC2518T2R2M	1	231364M022R2		
L7203	CHOKE COIL	LBC2518T2R2M	1	231364M022R2		
L7401	CHOKE COIL	LBC2518T2R2M	1	231364M022R2		
L7402	CHOKE COIL	LBC2518T2R2M	1	231364M022R2		
T902	P TRANS	NPT-1520JQ	1	2301812A	!	<B MDC, MDD, MDF>
T902	P TRANS	NPT-1520GQ	1	2301813A	!	<B MMA, MMB, MMO, MMP, MMQ, MMR / G MMR / S MMP>
[CAPACITOR]						
C2001	VR C	CE04W50V-10M(VR)	1	394681007T		
C2002	C-CERA C	CK725F1E-104Z1	1	332161040R1	NSP	
C2003	VR C	CE04W6.3V-470M(VR)	1	394624717T		
C2004	C-CERA C	CC725CH1H-470J1	1	342104704R1	NSP	
C2005	VR C	CE04W6.3V-470M(VR)	1	394624717T		
C2006	C-CERA C	CC725CH1H-470J1	1	342104704R1	NSP	
C2011	C-CERA C	CK725F1A-105Z1	1	332181050R1	NSP	
C2012	C-CERA C	CK725F1A-105Z1	1	332181050R1	NSP	
C2013	C-CERA C	CK725F1A-105Z1	1	332181050R1	NSP	
C2014	C-CERA C	CK725F1A-105Z1	1	332181050R1	NSP	

C2015	C-CERA C	CK725F1A-105Z1	1	332181050R1	NSP
C2016	C-CERA C	CK725F1A-105Z1	1	332181050R1	NSP
C2017	C-CERA C	CK725F1A-105Z1	1	332181050R1	NSP
C2018	C-CERA C	CK725F1A-105Z1	1	332181050R1	NSP
C2019	C-CERA C	CK725F1A-105Z1	1	332181050R1	NSP
C2020	C-CERA C	CK725F1A-105Z1	1	332181050R1	NSP
C2021	C-CERA C	CK725F1A-105Z1	1	332181050R1	NSP
C2022	C-CERA C	CK725F1A-105Z1	1	332181050R1	NSP
C2030	UTSP C	CE04W50V-10M(UTSP)	1	397581007T	
C2031	C-CERA C	CC725CH1H-471J1	1	342104714R1	NSP
C2032	UTSP C	CE04W50V-10M(UTSP)	1	397581007T	
C2033	C-CERA C	CC725CH1H-471J1	1	342104714R1	NSP
C2101	VR C	CE04W50V-10M(VR)	1	394681007T	
C2102	VR C	CE04W6.3V-470M(VR)	1	394624717T	
C2103	VR C	CE04W50V-10M(VR)	1	394681007T	
C2104	VR C	CE04W50V-10M(VR)	1	394681007T	
C2105	VR C	CE04W6.3V-470M(VR)	1	394624717T	
C2106	VR C	CE04W50V-10M(VR)	1	394681007T	
C2107	VR C	CE04W50V-10M(VR)	1	394681007T	
C2108	VR C	CE04W6.3V-470M(VR)	1	394624717T	
C2109	VR C	CE04W6.3V-470M(VR)	1	394624717T	
C2110	VR C	CE04W6.3V-470M(VR)	1	394624717T	
C2111	VR C	CE04W50V-1M(VR)	1	394680107T	
C2112	VR C	CE04W50V-1M(VR)	1	394680107T	
C2113	VR C	CE04W50V-1M(VR)	1	394680107T	
C2114	VR C	CE04W50V-1M(VR)	1	394680107T	
C2115	VR C	CE04W50V-1M(VR)	1	394680107T	
C2116	VR C	CE04W50V-1M(VR)	1	394680107T	
C2117	VR C	CE04W6.3V-470M(VR)	1	394624717T	
C2118	VR C	CE04W6.3V-470M(VR)	1	394624717T	
C2119	VR C	CE04W6.3V-470M(VR)	1	394624717T	
C2120	VR C	CE04W6.3V-470M(VR)	1	394624717T	
C2201	C-CERA C	CK725B1H-102K1	1	332101025R1	NSP
C2202	C-CERA C	CK725B1H-102K1	1	332101025R1	NSP
C2203	C-CERA C	CK725B1H-103K1	1	332101035R1	NSP
C2501	VR C	CE04W25V-220M(VR)	1	394652217T	
C7001	C-CERA C	CK725B1H-223K1	1	332102235R1	NSP
C7002	C-CERA C	CK725F1E-104Z1	1	332161040R1	NSP
C7003	C-CERA C	CC725CH1H-101J1	1	342101014R1	NSP
C7004	C-CERA C	CC725CH1H-101J1	1	342101014R1	NSP
C7005	C-CERA C	CC725CH1H-101J1	1	342101014R1	NSP
C7007	C-CERA C	CC725CH1H-101J1	1	342101014R1	NSP
C7008	ELECT C	CE04W6.3V-100M	1	355721019T	
C7009	C-CERA C	CK725F1E-104Z1	1	332161040R1	NSP

C7010	C-CERA C	CK725B1H-223K1	1	332102235R1	NSP
C7011	C-CERA C	CK725B1H-223K1	1	332102235R1	NSP
C7012	C-CERA C	CK725B1H-223K1	1	332102235R1	NSP
C7013	ELECT C	CE04W50V-33M	1	355783309T	NSP
C7014	C-CERA C	CK725B1H-223K1	1	332102235R1	NSP
C7015	ELECT C	CE04W16V-47M(S)	1	353744709T	
C7016	C-CERA C	CK725B1H-223K1	1	332102235R1	NSP
C7017	C-CERA C	CK725B1H-223K1	1	332102235R1	NSP
C7021	C-CERA C	CK725B1H-103K1	1	332101035R1	NSP
C7022	C-CERA C	CK725B1H-103K1	1	332101035R1	NSP
C7031	C-CERA C	CK725B1H-223K1	1	332102235R1	NSP
C7032	C-CERA C	CK725B1H-223K1	1	332102235R1	NSP
C7033	ELECT C	CE04W16V-10M(S)	1	353741009T	
C7041	ELECT C	CE04W6.3V-100M(S)	1	353721019T	
C7042	C-CERA C	CC725CH1H-102J1	1	342101024R1	NSP
C7043	C-CERA C	CC725CH1H-102J1	1	342101024R1	NSP
C7201	C-CERA C	CC725CH1H-102J1	1	342101024R1	NSP
C7203	MKT C	B32529C0102J289	1	376491024T	
C7204	MKT C	B32529C0102J289	1	376491024T	
C7301	C-CERA C	CC725CH1H-471J1	1	342104714R1	NSP
C7302	C-CERA C	CC725CH1H-471J1	1	342104714R1	NSP
C7303	C-CERA C	CK725F1E-104Z1	1	332161040R1	NSP
C7304	C-CERA C	CK725F1E-104Z1	1	332161040R1	NSP
C7305	C-CERA C	CK725F1E-104Z1	1	332161040R1	NSP
C7306	C-CERA C	CK725F1E-104Z1	1	332161040R1	NSP
C7309	C-CERA C	CC725CH1H-101J1	1	342101014R1	NSP
C7401	ELECT C	CE04W16V-10M(S)	1	353741009T	
C7402	C-CERA C	CC725CH1H-101J1	1	342101014R1	NSP
C7403	ELECT C	CE04W16V-47M(S)	1	353744709T	
C7404	C-CERA C	CC725CH1H-330J1	1	342103304R1	NSP
C7405	ELECT C	CE04W16V-10M(S)	1	353741009T	
C7411	ELECT C	CE04W16V-47M(S)	1	353744709T	
C7412	ELECT C	CE04W16V-47M(S)	1	353744709T	
C7421	C-CERA C	CC725CH1H-102J1	1	342101024R1	NSP
C901	IS C	LE103-C3.5	1	3800042S	
C901 or	IS C	ECQU2A103MLC	(1)	3800039S	
C9011	VR C	CE04W16V-10000M(VR)	1	394641037S	
C9012	TF C	ECQ-V50V-334J	1	374723344T	
C9013	VR C	CE04W50V-4.7M(VR)	1	394680477T	
C902	C-CERA C	CK725F1E-104Z1	1	332161040R1	NSP
C9023	VR C	CE04W50V-10M(VR)	1	394681007T	
C9025	VR C	CE04W6.3V-470M(VR)	1	394624717T	
C9026	VR C	CE04W6.3V-470M(VR)	1	394624717T	
C9027	C-CERA C	CK725F1E-104Z1	1	332161040R1	NSP

C9028	VR C	CE04W6.3V-470M(VR)	1	394624717T	
C9029	C-CERA C	CK725F1E-104Z1	1	332161040R1	NSP
C9030	VR C	CE04W25V-220M(VR)	1	394652217T	
C9031	C-CERA C	CK725F1E-104Z1	1	332161040R1	NSP
C9032	VR C	CE04W6.3V-470M(VR)	1	394624717T	
C911	C-CERA C	CC725CH1H-102J1	1	342101024R1	NSP
C921	C-CERA C	CK725B1H-223K1	1	332102235R1	NSP
C922	VR C	CE04W25V-2200M(VR)	1	394652227S	
C930	UTSP C	CE04W50V-100M(UTSP)	1	397581017T	
C933	UTSP C	CE04W50V-4.7M(UTSP)	1	397580477T	
[RESISTOR]					
R2001	C-CARBON R	RN72K1J-220JE	1	435032204R1	NSP
R2002	C-CARBON R	RN72K1J-220JE	1	435032204R1	NSP
R2003	C-CARBON R	RN72K1J-105JE	1	435031054R1	NSP
R2030	C-CARBON R	RN72K1J-224JE	1	435032244R1	NSP
R2032	C-CARBON R	RN72K1J-224JE	1	435032244R1	NSP
R2101	C-CARBON R	RN72K1J-750JE	1	435037504R1	NSP
R2102	C-CARBON R	RN72K1J-750JE	1	435037504R1	NSP
R2103	C-CARBON R	RN72K1J-750JE	1	435037504R1	NSP
R2104	C-CARBON R	RN72K1J-750JE	1	435037504R1	NSP
R2105	C-CARBON R	RN72K1J-750JE	1	435037504R1	NSP
R2106	C-CARBON R	RN72K1J-750JE	1	435037504R1	NSP
R2107	C-CARBON R	RN72K1J-750JE	1	435037504R1	NSP
R2108	C-CARBON R	RN72K1J-750JE	1	435037504R1	NSP
R2109	C-CARBON R	RN72K1J-750JE	1	435037504R1	NSP
R2110	C-CARBON R	RN72K1J-750JE	1	435037504R1	NSP
R2111	C-CARBON R	RN72K1J-750JE	1	435037504R1	NSP
R2112	C-CARBON R	RN72K1J-750JE	1	435037504R1	NSP
R2113	C-CARBON R	RN72K1J-750JE	1	435037504R1	NSP
R2114	C-CARBON R	RN72K1J-750JE	1	435037504R1	NSP
R2115	C-CARBON R	RN72K1J-750JE	1	435037504R1	NSP
R2116	C-CARBON R	RN72K1J-750JE	1	435037504R1	NSP
R2117	C-CARBON R	RN72K1J-000JE	1	435030004R1	NSP
R2118	C-CARBON R	RN72K1J-000JE	1	435030004R1	NSP
R2119	C-CARBON R	RN72K1J-000JE	1	435030004R1	NSP
R2155	C-CARBON R	RN72K1J-000JE	1	435030004R1	NSP
R2156	C-CARBON R	RN72K1J-000JE	1	435030004R1	NSP
R2157	C-CARBON R	RN72K1J-000JE	1	435030004R1	NSP
R2501	C-CARBON R	RN72K1J-223JE	1	435032234R1	NSP
R2502	C-CARBON R	RN72K1J-122JE	1	435031224R1	NSP
R2503	C-CARBON R	RN72K1J-472JE	1	435034724R1	NSP
R2504	C-CARBON R	RN72K1J-182JE	1	435031824R1	NSP
R2505	C-CARBON R	RN72K1J-331JE	1	435033314R1	NSP
R7001	C-CARBON R	RN72K1J-103JE	1	435031034R1	NSP

R7002	C-CARBON R	RN72K1J-332JE	1	435033324R1	NSP
R7003	C-CARBON R	RN72K1J-332JE	1	435033324R1	NSP
R7004	C-CARBON R	RN72K1J-221JE	1	435032214R1	NSP
R7005	C-CARBON R	RN72K1J-221JE	1	435032214R1	NSP
R7006	C-CARBON R	RN72K1J-103JE	1	435031034R1	NSP
R7007	C-CARBON R	RN72K1J-221JE	1	435032214R1	NSP
R7008	C-CARBON R	RN72K1J-221JE	1	435032214R1	NSP
R7021	C-CARBON R	RN72K1J-103JE	1	435031034R1	NSP
R7022	C-CARBON R	RN72K1J-103JE	1	435031034R1	NSP
R7023	C-CARBON R	RN72K1J-103JE	1	435031034R1	NSP
R7024	C-CARBON R	RN72K1J-103JE	1	435031034R1	NSP
R7033	C-CARBON R	RN72K1J-820JE	1	435038204R1	NSP
R7041	C-CARBON R	RN72K1J-101JE	1	435031014R1	NSP
R7042	C-CARBON R	RN72K1J-102JE	1	435031024R1	NSP
R7101	C-CARBON R	RN72K1J-271JE	1	435032714R1	NSP
R7102	C-CARBON R	RN72K1J-331JE	1	435033314R1	NSP
R7103	C-CARBON R	RN72K1J-471JE	1	435034714R1	NSP
R7106	C-CARBON R	RN72K1J-271JE	1	435032714R1	NSP
R7107	C-CARBON R	RN72K1J-331JE	1	435033314R1	NSP
R7108	C-CARBON R	RN72K1J-471JE	1	435034714R1	NSP
R7109	C-CARBON R	RN72K1J-561JE	1	435035614R1	NSP
R7110	C-CARBON R	RN72K1J-821JE	1	435038214R1	NSP
R7111	C-CARBON R	RN72K1J-122JE	1	435031224R1	NSP
R7112	C-CARBON R	RN72K1J-222JE	1	435032224R1	NSP
R7113	C-CARBON R	RN72K1J-392JE	1	435033924R1	NSP
R7114	C-CARBON R	RN72K1J-123JE	1	435031234R1	NSP
R7115	C-CARBON R	RN72K1J-271JE	1	435032714R1	NSP
R7116	C-CARBON R	RN72K1J-331JE	1	435033314R1	NSP
R7117	C-CARBON R	RN72K1J-471JE	1	435034714R1	NSP
R7118	C-CARBON R	RN72K1J-561JE	1	435035614R1	NSP
R7119	C-CARBON R	RN72K1J-821JE	1	435038214R1	NSP
R7120	C-CARBON R	RN72K1J-122JE	1	435031224R1	NSP
R7121	C-CARBON R	RN72K1J-222JE	1	435032224R1	NSP
R7122	C-CARBON R	RN72K1J-392JE	1	435033924R1	NSP
R7123	C-CARBON R	RN72K1J-271JE	1	435032714R1	NSP
R7124	C-CARBON R	RN72K1J-331JE	1	435033314R1	NSP
R7125	C-CARBON R	RN72K1J-471JE	1	435034714R1	NSP
R7126	C-CARBON R	RN72K1J-561JE	1	435035614R1	NSP
R7127	C-CARBON R	RN72K1J-821JE	1	435038214R1	NSP
R7128	C-CARBON R	RN72K1J-122JE	1	435031224R1	NSP
R7129	C-CARBON R	RN72K1J-222JE	1	435032224R1	NSP
R7130	C-CARBON R	RN72K1J-000JE	1	435030004R1	NSP
R7151	C-CARBON R	RN72K1J-222JE	1	435032224R1	NSP
R7152	C-CARBON R	RN72K1J-222JE	1	435032224R1	NSP

R7153	C-CARBON R	RN72K1J-181JE	1	435031814R1	NSP	
R7154	C-CARBON R	RN72K1J-181JE	1	435031814R1	NSP	<B MMA, MMB, MMO, MMP, MMQ, MMR / G MMR / S MMP>
R7301	C-CARBON R	RN72K1J-331JE	1	435033314R1	NSP	
R7302	C-CARBON R	RN72K1J-331JE	1	435033314R1	NSP	
R7305	C-CARBON R	RN72K1J-000JE	1	435030004R1	NSP	
R7401	C-CARBON R	RN72K1J-101JE	1	435031014R1	NSP	
R7402	C-CARBON R	RN72K1J-224JE	1	435032244R1	NSP	
R7403	C-CARBON R	RN72K1J-472JE	1	435034724R1	NSP	
R7404	C-CARBON R	RN72K1J-221JE	1	435032214R1	NSP	
R7405	C-CARBON R	RN72K1J-473JE	1	435034734R1	NSP	
R7406	C-CARBON R	RN72K1J-331JE	1	435033314R1	NSP	
R7407	C-CARBON R	RN72K1J-102JE	1	435031024R1	NSP	
R7408	C-CARBON R	RN72K1J-333JE	1	435033334R1	NSP	
R7409	C-CARBON R	RN72K1J-221JE	1	435032214R1	NSP	
R7410	C-CARBON R	RN72K1J-221JE	1	435032214R1	NSP	
R7411	C-CARBON R	RN72K1J-471JE	1	435034714R1	NSP	
R7412	C-CARBON R	RN72K1J-471JE	1	435034714R1	NSP	
R7413	C-CARBON R	RN72K1J-224JE	1	435032244R1	NSP	
R7414	C-CARBON R	RN72K1J-104JE	1	435031044R1	NSP	
R7416	C-CARBON R	RN72K1J-000JE	1	435030004R1	NSP	
R7420	C-CARBON R	RN72K1J-473JE	1	435034734R1	NSP	
R9012	METAL R	RNU1/2WCJ-1	1	453530104T		
R9013	METAL R	RNU1/2WCJ-1	1	453530104T		
R9014	C-CARBON R	RN72K1J-104JE	1	435031044R1	NSP	
R9020	METAL O R	RS1WBJ-8.2	1	441620824F		
R9021	METAL O R	RS1WBJ-8.2	1	441620824F		
R9022	METAL R	RNU1/2WCJ-1	1	453530104T		
R9031	METAL R	RNU2WCJ-3.3	1	452730334F		
R9032	METAL R	RNU2WCJ-3.3	1	452730334F		
R9033	METAL R	RNU1/2WCJ-1	1	453530104T		
R921	METAL O R	RS1/2WBJ-47	1	443524704T		
R934	C-CARBON R	RN72K1J-104JE	1	435031044R1	NSP	
[SW TRM]						
E7202	TRM-423(SCREW)	NEJITANSI ST3	1	25060495	NSP	
E7302A	RETAINER	(EARTH)	1	27142136A	NSP	
E9001	TRM-423(SCREW)	NEJITANSI ST3	1	25060495	NSP	
E9002	RETAINER	(JOINT)	1	27142069	NSP	
E9003	TRM-423(SCREW)	NEJITANSI ST3	1	25060495	NSP	
E901	TRM-423(SCREW)	NEJITANSI ST3	1	25060495	NSP	
E902	TRM-423(SCREW)	NEJITANSI ST3	1	25060495	NSP	
F9001	FUSE	5A-UL-125V	1	252385T	!	
F901C	FUSE HOL	NSCT-1P2031	1	25052133T		
F901D	FUSE HOL	NSCT-1P2031	1	25052133T		
F901E	LABEL	T5AL250V	1	29361938		

JL503B	WIRE TRAP	NPLG-3P586	1	25055624	
JL605A	WIRE HOL	NSCT-5P896	1	25051109	
JL702A	WIRE HOL	NSCT-9P880	1	25051093	
JL702B	WIRE HOL	NSCT-9P880	1	25051093	
JL801A	WIRE HOL	NSCT-5P876	1	25051089	
JL901A	WIRE HOL	NSCT-5P876	1	25051089	
JL952B	SOCKET	NSCT-3P95	1	25050267	
JL953A	WIRE HOL	NSCT-5P876	1	25051089	
P2001B	PLUG	IMSA-9142B-24A	1	25056602	
P2002A	PLUG	NPLG-15P0970	1	25056020	
P2201	PIN JACK	NPJ-3PDYYY560	1	25045778	
P2202	PIN JACK	NPJ-3PDYYY560	1	25045778	
P2203	PIN JACK	NPJ-9PDGLRGLR563	1	25045781	
P2203 or	PIN JACK	NPJ-9PDGLR519	(1)	25045731	
P2510	PLUG	NPLG-2P568	1	25055600	
P2801A	SOCKET	NSCT-9P2102	1	25052205	
P701B	SOCKET	NSCT-31P2161	1	25052264	
P7201	ST JACK	MSJ-064-05A SR	1	25045783	
P7201 or	ST JACK	YKB21-5005	(1)	25045724	
P7302	PIN JACK	NPJ-3PDB693	1	25045925	
P7312	ST JACK	MSJ-035-05A BAG SR LF	1	25045927	
P7402	ST JACK	MSJ-035-05C B AG SR type	1	25045879	
P901A	PLUG	NPLG-2P631	1	25055675	
P901Aor	PLUG	1-1123724-2	(1)	25056402	
P911	PLUG	NPLG-2P631	1	25055675	
P911 or	PLUG	1-1123724-2	(1)	25056402	
RL901	RELAY	NRL-1P5A-DC9-179	1	25065669	<B MMA, MMB, MMO, MMP, MMQ, MMR / G MMR / S MMP>
RL901	RELAY	NRL-1P10A-DC9-186	1	25065683	<B MDC, MDD, MDF>
S7002	R ENCODE	EC12E2425WITH WASHER	1	25065655W	
S7102	PUSH SW	NPS-111-S681	1	25035718T	
S7104	PUSH SW	NPS-111-S681	1	25035718T	<B MMA, MMB, MMO, MMP, MMQ, MMR / G MMR / S MMP>
S7106	PUSH SW	NPS-111-S681	1	25035718T	
S7108	PUSH SW	NPS-111-S681	1	25035718T	
S7114	PUSH SW	NPS-111-S681	1	25035718T	
S7116	PUSH SW	NPS-111-S681	1	25035718T	
S7118	PUSH SW	NPS-111-S681	1	25035718T	
S7120	PUSH SW	NPS-111-S681	1	25035718T	
S7122	PUSH SW	NPS-111-S681	1	25035718T	
S7124	PUSH SW	NPS-111-S681	1	25035718T	
S7126	PUSH SW	NPS-111-S681	1	25035718T	
S7128	PUSH SW	NPS-111-S681	1	25035718T	
S7130	PUSH SW	NPS-111-S681	1	25035718T	
S7132	PUSH SW	NPS-111-S681	1	25035718T	
S7134	PUSH SW	NPS-111-S681	1	25035718T	

S7136	PUSH SW	NPS-111-S681	1	25035718T		
S7138	PUSH SW	NPS-111-S681	1	25035718T		
S7140	PUSH SW	NPS-111-S681	1	25035718T		
S7142	PUSH SW	NPS-111-S681	1	25035718T		
S7144	PUSH SW	NPS-111-S681	1	25035718T		
S7146	PUSH SW	NPS-111-S681	1	25035718T		
S7148	PUSH SW	NPS-111-S681	1	25035718T		
S7150	PUSH SW	NPS-111-S681	1	25035718T		
S7152	PUSH SW	NPS-111-S681	1	25035718T		
S7154	PUSH SW	NPS-111-S681	1	25035718T		
S7156	PUSH SW	NPS-111-S681	1	25035718T		
S7158	PUSH SW	NPS-111-S681	1	25035718T		
S7160	PUSH SW	NPS-111-S681	1	25035718T		
S7162	PUSH SW	NPS-111-S681	1	25035718T		
S7164	PUSH SW	NPS-111-S681	1	25035718T		

TX-SR608

PC BOARD PARTS LIST

U006	TRM-AS(SP Terminal Asy) U0060+U0061+U0063+U0064	BATRM-0368-1D *	1	1B247568-1D	N	<B MDC, MDD, MDF>
U006	TRM-AS(SP Terminal Asy) U0060+U0061+U0063+U0065	BATRM-0368-1E *	1	1B247568-1E	N	<B MMA, MMB, MMO, MMP, MMQ, MMR / G MMR / S MMP>
U0060	TRM-AS(SP Terminal Asy)	BATRM-0368-1D	1	1B2475368-1D	N	<B MDC, MDD, MDF>
U0060	TRM-AS(SP Terminal Asy)	BATRM-0368-1E	1	1B2475368-1E	N	<B MMA, MMB, MMO, MMP, MMQ, MMR / G MMR / S MMP>
U0061	PWB(Z2_SP TRM)	BATRM-0369-1E	1	1B2475369-1E		<B MMA, MMB, MMO, MMP, MMQ, MMR / G MMR / S MMP>
U0063	PWB(D-SUB)	BAETC-0371-1D	1	1B2475371-1D	N	<B MDC, MDD, MDF>
U0063	PWB(D-SUB)	BAETC-0371-1E	1	1B2475371-1E	N	<B MMA, MMB, MMO, MMP, MMQ, MMR / G MMR / S MMP>
U0064	PWB(etc reserve)	BAETC-0372-1D	1	1B2475372-1D	N, NSP	<B MDC, MDD, MDF>
U0064	PWB(etc reserve)	BAETC-0372-1E	1	1B2475372-1E	N, NSP	<B MMA, MMB, MMO, MMP, MMQ, MMR / G MMR / S MMP>

CIRCUIT. N°	PART NAME	DESCRIPTION	Q'TY	PART NO. (SN)	REMARKS
[SEMI CONDUCTOR]					
D6600	DIODE	1SS133	1	223163T	
D6603	DIODE	1SS133	1	223163T	
D6605	DIODE	1SS133	1	223163T	
D6607	DIODE	1SS133	1	223163T	
Q6601	TR	KRC105M	1	2215830T	
Q6601 or	TR	RN1205	(1)	2214660T	
Q6602	TR	KRC105M	1	2215830T	
Q6602 or	TR	RN1205	(1)	2214660T	
Q6603	TR	KRC105M	1	2215830T	
Q6603 or	TR	RN1205	(1)	2214660T	
Q6604	TR	KRC105M	1	2215830T	
Q6604 or	TR	RN1205	(1)	2214660T	

[TRANS COIL]						
L6600	S COIL	SC-0.8X11.5X12.5T-6.5L	1	231393S		
L6601	S COIL	SC-0.8X11.5X12.5T-6.5L	1	231393S		
L6602	S COIL	SC-0.8X11.5X12.5T-6.5L	1	231393S		
L6603	S COIL	SC-0.8X11.5X12.5T-6.5L	1	231393S		
L6604	S COIL	SC-0.8X11.5X12.5T-6.5L	1	231393S		
L6605	S COIL	SC-0.8X11.5X12.5T-6.5L	1	231393S		
L6606	S COIL	SC-0.8X11.5X12.5T-6.5L	1	231393S		
[CAPACITOR]						
C6030	TF C	ECQ-V50V-473J	1	374724734T		
C6031	TF C	ECQ-V50V-473J	1	374724734T		
C6032	TF C	ECQ-V50V-473J	1	374724734T		
C6033	TF C	ECQ-V50V-473J	1	374724734T		
C6034	TF C	ECQ-V50V-473J	1	374724734T		
C6035	TF C	ECQ-V50V-473J	1	374724734T		
C6036	TF C	ECQ-V50V-473J	1	374724734T		
C6600	TF C	ECQ-V50V-103J	1	374721034T		
C6602	TF C	ECQ-V50V-103J	1	374721034T		
C6603	TF C	ECQ-V50V-103J	1	374721034T		
C6605	TF C	ECQ-V50V-103J	1	374721034T		
C6607	TF C	ECQ-V50V-103J	1	374721034T		
C6640	TF C	ECQ-V50V-103J	1	374721034T		<B MMA, MMB, MMO, MMP, MMQ, MMR / G MMR / S MMP>
C6641	TF C	ECQ-V50V-103J	1	374721034T		<B MMA, MMB, MMO, MMP, MMQ, MMR / G MMR / S MMP>
C6642	TF C	ECQ-V50V-103J	1	374721034T		<B MMA, MMB, MMO, MMP, MMQ, MMR / G MMR / S MMP>
C6643	TF C	ECQ-V50V-103J	1	374721034T		<B MMA, MMB, MMO, MMP, MMQ, MMR / G MMR / S MMP>
C6644	TF C	ECQ-V50V-103J	1	374721034T		<B MMA, MMB, MMO, MMP, MMQ, MMR / G MMR / S MMP>
C6645	TF C	ECQ-V50V-103J	1	374721034T		<B MMA, MMB, MMO, MMP, MMQ, MMR / G MMR / S MMP>
C6646	TF C	ECQ-V50V-103J	1	374721034T		<B MMA, MMB, MMO, MMP, MMQ, MMR / G MMR / S MMP>
C6647	TF C	ECQ-V50V-103J	1	374721034T		<B MMA, MMB, MMO, MMP, MMQ, MMR / G MMR / S MMP>
C6648	TF C	ECQ-V50V-103J	1	374721034T		<B MMA, MMB, MMO, MMP, MMQ, MMR / G MMR / S MMP>
C6650	MKT C	B32529C0102J289	1	376491024T		<B MMA, MMB, MMO, MMP, MMQ, MMR / G MMR / S MMP>
C6651	MKT C	B32529C0102J289	1	376491024T		<B MMA, MMB, MMO, MMP, MMQ, MMR / G MMR / S MMP>
C6652	MKT C	B32529C0102J289	1	376491024T		<B MMA, MMB, MMO, MMP, MMQ, MMR / G MMR / S MMP>
C6653	MKT C	B32529C0102J289	1	376491024T		<B MMA, MMB, MMO, MMP, MMQ, MMR / G MMR / S MMP>
C6654	MKT C	B32529C0102J289	1	376491024T		<B MMA, MMB, MMO, MMP, MMQ, MMR / G MMR / S MMP>
C6655	MKT C	B32529C0102J289	1	376491024T		<B MMA, MMB, MMO, MMP, MMQ, MMR / G MMR / S MMP>
C6656	MKT C	B32529C0102J289	1	376491024T		<B MMA, MMB, MMO, MMP, MMQ, MMR / G MMR / S MMP>
C6657	MKT C	B32529C0102J289	1	376491024T		<B MMA, MMB, MMO, MMP, MMQ, MMR / G MMR / S MMP>
C6658	MKT C	B32529C0102J289	1	376491024T		<B MMA, MMB, MMO, MMP, MMQ, MMR / G MMR / S MMP>
[RESISTOR]						
R4900	CARBON R	R16J-1M	1	417341054T		
R4901	CARBON R	R16J-1M	1	417341054T		
R4902	CARBON R	R16J-1M	1	417341054T		
R4903	CARBON R	R16J-1M	1	417341054T		

R6130	METAL R	RNU1WCJ-8.2	1	453630824T	
R6131	METAL R	RNU1WCJ-8.2	1	453630824T	
R6132	METAL R	RNU1WCJ-8.2	1	453630824T	
R6133	METAL R	RNU1WCJ-8.2	1	453630824T	
R6134	METAL R	RNU1WCJ-8.2	1	453630824T	
R6135	METAL R	RNU1WCJ-8.2	1	453630824T	
R6136	METAL R	RNU1WCJ-8.2	1	453630824T	
R6600	CARBON R	R16J-22	1	417342204T	
R6601	CARBON R	R16J-22	1	417342204T	
R6602	CARBON R	R16J-22	1	417342204T	
R6603	CARBON R	R16J-22	1	417342204T	
R6604	CARBON R	R16J-22	1	417342204T	
R6605	CARBON R	R16J-22	1	417342204T	
R6606	CARBON R	R16J-22	1	417342204T	
R6610	CARBON R	R16J-22	1	417342204T	
R6611	CARBON R	R16J-22	1	417342204T	
R6612	CARBON R	R16J-22	1	417342204T	
R6613	CARBON R	R16J-22	1	417342204T	
R6614	CARBON R	R16J-22	1	417342204T	
R6615	CARBON R	R16J-22	1	417342204T	
R6616	CARBON R	R16J-22	1	417342204T	
R6690	METAL O R	RS1/2WBJ-10	1	443521004T	
R6691	METAL O R	RS1/2WBJ-390	1	443523914T	
R6692	METAL O R	RS1/2WBJ-390	1	443523914T	
[SW TRM]					
JL600B	SOCKET	NSCT-7P99	1	25050271	
JL603B	SOCKET	NSCT-9P101	1	25050273	
JL604B	SOCKET	NSCT-5P97	1	25050269	<B MDC, MDD, MDF>
JL605B	SOCKET	NSCT-5P97	1	25050269	
JL610A	WIRE HOL	NSCT-7P878	1	25051091	
JL620B	WIRE TRAP	NPLG-7P590	1	25055628	
P4900A	SOCKET	NSCT-11P2402	1	25052505	
P4901	SOCKET	MDS-15P-V02(DSUB15)	1	25053362	
P6601	TRM	NTM-2PDMCR400	1	25060472	
P6602	TRM	NTM-4PDMNRR420	1	25060492	
P6603	TRM	NTM-4PDMNRR420	1	25060492	
P6604	TRM	NTM-4PDMNRR420	1	25060492	
P6607	TRM	NTM-4PDMNRR420	1	25060492	<B MMA, MMB, MMO, MMP, MMQ, MMR / G MMR / S MMP>
RL6600	RELAY	NRL-2P5A-DC24-129	1	25065563A	
RL6600 or	RELAY	NRL-2P5A-DC24-193	(1)	25065703	
RL6602	RELAY	NRL-2P5A-DC24-129	1	25065563A	
RL6602 or	RELAY	NRL-2P5A-DC24-193	(1)	25065703	
RL6603	RELAY	NRL-2P5A-DC24-129	1	25065563A	
RL6603 or	RELAY	NRL-2P5A-DC24-193	(1)	25065703	

RL6605	RELAY	NRL-2P5A-DC24-129	1	25065563A	
RL6605 or	RELAY	NRL-2P5A-DC24-193	(1)	25065703	
RL6607	RELAY	NRL-2P5A-DC24-129	1	25065563A	
RL6607 or	RELAY	NRL-2P5A-DC24-193	(1)	25065703	

TX-SR608

PC BOARD PARTS LIST

U007	HDM-AS(HDMI Asy) U0070+U0071+U0072	BAHDM-0403-1B *	1	1B247503-1B	N
U007	HDM-AS(HDMI Asy) U0070+U0071+U0073	BAHDM-0403-1B *	1	1B247503-1B	N
U0070	HDM-AS(HDMI Asy)	BAHDM-0403-1B	1	1B2475403-1B	N
U0070	HDM-AS(HDMI Asy)	BAHDM-0403-1B	1	1B2475403-1B	N
U0071	PWB(Front HDMI Asy)	BAHDM-0404-1B	1	1B2475404-1B	N
U0071	PWB(Front HDMI Asy)	BAHDM-0404-1B	1	1B2475404-1B	N
U0072	PWB(Front HDMI Asy FIX)	BAETC-0405-1B	1	1B2475405-1B	N, NSP
U0072	PWB(Front HDMI Asy FIX)	BAETC-0405-1B	1	1B2475405-1B	N, NSP

CIRCUIT. NO	PART NAME	DESCRIPTION	Q'TY	PART NO. (SN)	REMARKS
[SEMI CONDUCTOR]					
D8161	ZENER D	UDZS3.6B	1	224550360R2	
D8204	DIODE	DAN217T146	1	223285R2	
D8204 or	C-DIODE	1SS226(TE85L_F)	(1)	223266R2	NSP
D8205	DIODE	DAN217T146	1	223285R2	
D8205 or	C-DIODE	1SS226(TE85L_F)	(1)	223266R2	NSP
D8301	DIODE	DAN217T146	1	223285R2	
D8301 or	C-DIODE	1SS226(TE85L_F)	(1)	223266R2	NSP
D8302	C-DIODE	KDS4148U	1	223283R2	NSP
D8302 or	C-DIODE	1SS352	(1)	223234R2	NSP
D8302 or	C-DIODE	MA2J111	(1)	223279R2	NSP
D8302 or	C-DIODE	MA2J1110GL	(1)	223302R2	NSP
D8701	C-DIODE	KDS4148U	1	223283R2	NSP
D8701 or	C-DIODE	1SS352	(1)	223234R2	NSP
D8701 or	C-DIODE	MA2J111	(1)	223279R2	NSP
D8701 or	C-DIODE	MA2J1110GL	(1)	223302R2	NSP
D8901	C-DIODE	KDS4148U	1	223283R2	NSP
D8901 or	C-DIODE	1SS352	(1)	223234R2	NSP
D8901 or	C-DIODE	MA2J111	(1)	223279R2	NSP
D8901 or	C-DIODE	MA2J1110GL	(1)	223302R2	NSP
D8902	C-DIODE	KDS4148U	1	223283R2	NSP
D8902 or	C-DIODE	1SS352	(1)	223234R2	NSP
D8902 or	C-DIODE	MA2J111	(1)	223279R2	NSP
D8902 or	C-DIODE	MA2J1110GL	(1)	223302R2	NSP
D8903	C-DIODE	KDS4148U	1	223283R2	NSP

D8903 or	C-DIODE	1SS352	(1)	223234R2	NSP
D8903 or	C-DIODE	MA2J111	(1)	223279R2	NSP
D8903 or	C-DIODE	MA2J1110GL	(1)	223302R2	NSP
D8904	C-DIODE	KDS4148U	1	223283R2	NSP
D8904 or	C-DIODE	1SS352	(1)	223234R2	NSP
D8904 or	C-DIODE	MA2J111	(1)	223279R2	NSP
D8904 or	C-DIODE	MA2J1110GL	(1)	223302R2	NSP
D8906	DIODE	RB070M-30	1	22380361R2	
D8906 or	C-DIODE	CRS09(TE85L_Q)	(1)	223274R2	
D8951	DIODE	XBS303V17R	1	22380365R2	N
D8952	DIODE	XBS303V17R	1	22380365R2	N
Q201	IC	D788E001BRFP266Z	1	22242502R3	
Q203	IC	TC7WU04FU(TE12L_F)	1	22240935R2	
Q205	IC	TC74VHC157FT	1	22274157ER2TO	
Q273	IC	XC6220B121PR	1	22242626R2	
Q281	IC	K4S641632N-LC60	1	22242603R2	
Q281 or	IC	EM638165TS-7G	(1)	22242607R2	
Q282	IC	ES29LV160ET(03736)	1	222W0069R303736	
Q282 or	IC	S29AL016J70(03736)	(1)	222W0100R303736	
Q282 or	IC	ES29LV160FT7(03736)	(1)	222W0101R303736	
Q282 or	IC	MX29LV160D(03736)	(1)	222W0104R303736	
Q8000	IC	TC74AC14FT	1	22242217R2	
Q8051	IC	NT5TU32M16CG-25C	1	22242635R3	N
Q8052	IC	NT5TU32M16CG-25C	1	22242635R3	N
Q8161	IC	SII9389CTU	1	22242628R3	N
Q8162	TR	RN2401(TE85L_F)	1	2214520R2	
Q8200	IC	FLI32626H-AE	1	22242634R3	N
Q8201	IC	BR24S32FJ-WE2	1	22242569R2	
Q8201 or	IC	M24C32-WMN6TP	(1)	22242644R2	N
Q8201 or	IC	R1EX24032ASAS0A	(1)	22242668R2	N
Q8206	IC	AT25DF641S3(0355)	1	222W0110R20355	N
Q8207	IC	TC74LCX125FT(EL_K)	1	22274125BR2TO	
Q8305	IC	S-812C50BUC-C5ET2G	1	22242407R2	
Q8306	IC	NC7SZ08P5X_F042	1	22242482R2	
Q8306 or	IC	TC7SZ08FU(TE85L_F)	(1)	22242071R2TO	
Q8401	IC	SII9136CTU	1	22242630R3	N
Q8402	IC	TC7WHU04FU(TE12L)	1	22242231R2	
Q8501	IC	SII9233ACTU	1	22242582R3	
Q8661	IC	TMDS141RHARG4	1	22242586R2	
Q8701	IC	MPD70F3740GC(03545)	1	222W0096R303545	
Q8801	IC	TC74VCX162827	1	22242395R2	
Q8802	IC	TC74VCX162827	1	22242395R2	
Q8803	IC	TC74VCX162827	1	22242395R2	
Q8804	IC	TC74VCX162827	1	22242395R2	

Q8805	TR	DTC144EE	1	2216390R2	
Q8805 or	TR	KRC404E	(1)	2216450R2	
Q8806	IC	TC74VCX162827	1	22242395R2	
Q8807	IC	TC74VCX162827	1	22242395R2	
Q8901	IC	TC74VHCT08AFT	1	22274008GR2TO	
Q8901 or	IC	TC74VHCT08AFT (EKJ)	(1)	22274008G1R2TO	
Q8902	IC	NC7S208P5X_F042	1	22242482R2	
Q8903	IC	S-812C50BUC-C5ET2G	1	22242407R2	
Q8904	IC	XC6221B332MR	1	22242633R2	N
Q8905	IC	XC6221B122MR	1	22242631R2	N
Q8907	IC	CM3202-02DE	1	22242641R2	N
Q8951	IC	MP2363DN-LF-Z	1	22242627R2	
Q8961	IC	MP2363DN-LF-Z	1	22242627R2	
[TRANS COIL]					
L201	CORE	BLM18PG181SN1D	1	2350005R1	
L202	CORE	BLM18PG121SN1D	1	2350006R1	
L203	C-CARBON R	RN72K1J-000JE	1	435030004R1	NSP
L204	EMIFIL	BK1608LM182-T	1	230958R1	
L205	CORE	BLM18PG181SN1D	1	2350005R1	
L206	EMIFIL	BK1608LM182-T	1	230958R1	
L207	CORE	BLM18PG181SN1D	1	2350005R1	
L241	CORE	NFM18PC105R0J3D	1	2350014R1	
L251	CORE	BLM18PG181SN1D	1	2350005R1	
L261	EMIFIL	BK1608LM182-T	1	230958R1	
L282	CORE	BLM18PG181SN1D	1	2350005R1	
L8001	CORE	BLM18PG181SN1D	1	2350005R1	
L8002	CORE	BLM18PG181SN1D	1	2350005R1	
L8004	CORE	BLM18PG181SN1D	1	2350005R1	
L8006	CORE	BLM18PG181SN1D	1	2350005R1	
L8007	CORE	BLM18PG181SN1D	1	2350005R1	
L8161	CORE	BLM18PG181SN1D	1	2350005R1	
L8162	CORE	BLM18PG181SN1D	1	2350005R1	
L8163	CORE	BLM18PG181SN1D	1	2350005R1	
L8164	CORE	BLM18PG181SN1D	1	2350005R1	
L8165	CORE	BLM18PG181SN1D	1	2350005R1	
L8166	CORE	BLM18PG181SN1D	1	2350005R1	
L8200	CORE	BLM18PG181SN1D	1	2350005R1	
L8201	CORE	BLM18PG181SN1D	1	2350005R1	
L8202	CORE	BLM18PG181SN1D	1	2350005R1	
L8203	CORE	BLM18PG181SN1D	1	2350005R1	
L8204	CORE	BLM18PG181SN1D	1	2350005R1	
L8205	CORE	BLM18PG181SN1D	1	2350005R1	
L8206	CORE	BLM18PG181SN1D	1	2350005R1	
L8207	CORE	BLM18PG121SN1D	1	2350006R1	

L8208	CORE	BLM18PG181SN1D	1	2350005R1	
L8209	CORE	BLM18PG181SN1D	1	2350005R1	
L8210	CORE	BLM18PG181SN1D	1	2350005R1	
L8211	CORE	BLM18PG181SN1D	1	2350005R1	
L8212	CORE	BLM18PG181SN1D	1	2350005R1	
L8213	CORE	BLM18PG181SN1D	1	2350005R1	
L8214	CORE	BLM18PG181SN1D	1	2350005R1	
L8215	C-CARBON R	RN72K1J-000JE	1	435030004R1	NSP
L8216	CORE	BLM18PG181SN1D	1	2350005R1	
L8217	CORE	BLM18PG181SN1D	1	2350005R1	
L8218	CORE	BLM18PG181SN1D	1	2350005R1	
L8301	CORE	BLM18PG181SN1D	1	2350005R1	
L8401	CORE	BLM18PG181SN1D	1	2350005R1	
L8402	CORE	BLM18PG181SN1D	1	2350005R1	
L8403	CORE	BLM18PG181SN1D	1	2350005R1	
L8404	CORE	BLM18PG181SN1D	1	2350005R1	
L8406	C-R NET	MNR12E0APJ000	1	43464900002R2	NSP
L8407	C-R NET	MNR12E0APJ000	1	43464900002R2	NSP
L8409	C-R NET	MNR12E0APJ000	1	43464900002R2	NSP
L8410	C-R NET	MNR12E0APJ000	1	43464900002R2	NSP
L8501	CORE	BLM18PG181SN1D	1	2350005R1	
L8502	CORE	BLM18PG181SN1D	1	2350005R1	
L8503	CORE	BLM18PG181SN1D	1	2350005R1	
L8504	CORE	BLM18PG181SN1D	1	2350005R1	
L8505	CORE	BLM18PG181SN1D	1	2350005R1	
L8506	CORE	BLM18PG181SN1D	1	2350005R1	
L8561	CORE	BLM18PG181SN1D	1	2350005R1	
L8608	EMIFIL	BK1608LM182-T	1	230958R1	
L8661	CORE	BLM18PG181SN1D	1	2350005R1	
L8701	CORE	BLM18PG181SN1D	1	2350005R1	
L8801	CORE	BLM18PG181SN1D	1	2350005R1	
L8901	CHOKE COIL	BLM21PG221SN1	1	230949R2	
L8951	CHOKE COIL	BLM21PG221SN1	1	230949R2	
L8952	CHOKE COIL	0182-7E08Q-100M-RA	1	231396M100R2	
L8953	CHOKE COIL	BLM21PG221SN1	1	230949R2	
L8954	CHOKE COIL	BLM21PG221SN1	1	230949R2	
L8955	CORE	BLM18PG181SN1D	1	2350005R1	
L8961	CHOKE COIL	BLM21PG221SN1	1	230949R2	
L8962	CHOKE COIL	0182-7E08Q-100M-RA	1	231396M100R2	
L8963	CHOKE COIL	BLM21PG221SN1	1	230949R2	
L8964	CHOKE COIL	BLM21PG221SN1	1	230949R2	
X201	CRYSTAL	HC-49USSMD17.734MHz	1	3010488R2	N
X8200	CRYSTAL	HC-49USSMD19.6608MHz	1	3010489R2	N
X8501	CRYSTAL	DSX321G-27MHz	1	3010487R2	N

X8701	CERA LOCK	CSTCR5M00G53-B0	1	3010356R2	
[CAPACITOR]					
C201	C-CERA C	CK725F1E-104Z1	1	332161040R1	NSP
C202	C-CERA C	CK725B1H-102K1	1	332101025R1	NSP
C203	C-CERA C	CK725F1E-104Z1	1	332161040R1	NSP
C204	C-CERA C	CK725B1H-102K1	1	332101025R1	NSP
C205	C-CERA C	CK725F1E-104Z1	1	332161040R1	NSP
C206	C-CERA C	CK725B1H-102K1	1	332101025R1	NSP
C207	C-CERA C	CK725F1E-104Z1	1	332161040R1	NSP
C208	C-CERA C	CK725B1H-102K1	1	332101025R1	NSP
C209	C-CERA C	CK725F1E-104Z1	1	332161040R1	NSP
C210	C-CERA C	CK725B1H-102K1	1	332101025R1	NSP
C211	C-CERA C	CK725F1E-104Z1	1	332161040R1	NSP
C212	C-CERA C	CK725B1H-102K1	1	332101025R1	NSP
C213	C-CERA C	CK725F1E-104Z1	1	332161040R1	NSP
C215	C-CERA C	CK725B1H-102K1	1	332101025R1	NSP
C216	C-CERA C	CK725F1E-104Z1	1	332161040R1	NSP
C217	C-CERA C	CK725B1H-102K1	1	332101025R1	NSP
C218	C-CERA C	CK725F1E-104Z1	1	332161040R1	NSP
C219	C-CERA C	CK725B1H-102K1	1	332101025R1	NSP
C220	C-CERA C	CK725F1E-104Z1	1	332161040R1	NSP
C221	C-CERA C	CK725B1H-102K1	1	332101025R1	NSP
C222	C-CERA C	CK725F1E-104Z1	1	332161040R1	NSP
C223	C-CERA C	CK725B1H-102K1	1	332101025R1	NSP
C224	C-CERA C	CK725F1E-104Z1	1	332161040R1	NSP
C225	C-CERA C	CK725B1H-102K1	1	332101025R1	NSP
C226	C-CERA C	CK725F1E-104Z1	1	332161040R1	NSP
C227	C-CERA C	CK725B1H-102K1	1	332101025R1	NSP
C228	C-CERA C	CK725F1E-104Z1	1	332161040R1	NSP
C229	C-CERA C	CK725B1H-102K1	1	332101025R1	NSP
C230	C-CERA C	CK725F1E-104Z1	1	332161040R1	NSP
C231	C-CERA C	CK725B0J-106K	1	332091065R2	NSP
C234	C-CERA C	CK725B0J-106K	1	332091065R2	NSP
C238	C-CERA C	CC725CH1H-100D1	1	342101002R1	NSP
C239	C-CERA C	CC725CH1H-100D1	1	342101002R1	NSP
C241	C-CERA C	CK725B0J-106K	1	332091065R2	NSP
C242	C-CERA C	CK725F1E-104Z1	1	332161040R1	NSP
C243	C-CERA C	CC725CH1H-101J1	1	342101014R1	NSP
C244	C-CERA C	CK725F1E-104Z1	1	332161040R1	NSP
C245	C-CERA C	CK725F1A-105Z1	1	332181050R1	NSP
C246	C-CERA C	CK725B0J-106K	1	332091065R2	NSP
C247	C-CERA C	CK725B0J-106K	1	332091065R2	NSP
C251	C-CERA C	CK725F1E-104Z1	1	332161040R1	NSP
C252	C-CERA C	CK725B1H-102K1	1	332101025R1	NSP

C253	C-CERA C	CK725B0J-106K	1	332091065R2	NSP
C276	C-CERA C	CK725B0J-106K	1	332091065R2	NSP
C277	C-CERA C	CK725B0J-106K	1	332091065R2	NSP
C278	C-CERA C	CK725B0J-106K	1	332091065R2	NSP
C279	C-CERA C	CK725F1E-104Z1	1	332161040R1	NSP
C280	C-CERA C	CK725B0J-106K	1	332091065R2	NSP
C281	C-CERA C	CK725B0J-106K	1	332091065R2	NSP
C282	C-CERA C	CK725F1E-104Z1	1	332161040R1	NSP
C283	C-CERA C	CC725CH1H-102J1	1	342101024R1	NSP
C284	C-CERA C	CK725B0J-106K	1	332091065R2	NSP
C285	C-CERA C	CK725F1E-104Z1	1	332161040R1	NSP
C286	C-CERA C	CK725B1H-102K1	1	332101025R1	NSP
C287	C-CERA C	CK725F1E-104Z1	1	332161040R1	NSP
C288	C-CERA C	CK725B1H-102K1	1	332101025R1	NSP
C289	C-CERA C	CK725F1E-104Z1	1	332161040R1	NSP
C290	C-CERA C	CK725B1H-102K1	1	332101025R1	NSP
C291	C-CERA C	CK725F1E-104Z1	1	332161040R1	NSP
C292	C-CERA C	CK725B1H-102K1	1	332101025R1	NSP
C8000	C-CERA C	CK725F1E-104Z1	1	332161040R1	NSP
C8001	C-CERA C	CK725F1E-104Z1	1	332161040R1	NSP
C8002	C-CERA C	CK725F1E-104Z1	1	332161040R1	NSP
C8003	C-CERA C	CK725F1E-104Z1	1	332161040R1	NSP
C8004	C-CERA C	CK725F1E-104Z1	1	332161040R1	NSP
C8005	C-CERA C	CK725F1E-104Z1	1	332161040R1	NSP
C8006	C-CERA C	CK725F1E-104Z1	1	332161040R1	NSP
C8007	C-CERA C	CK725F1E-104Z1	1	332161040R1	NSP
C8008	C-CERA C	CK725B1C-104K1	1	332121045R1	NSP
C8009	C-CERA C	CK725F1E-104Z1	1	332161040R1	NSP
C8010	C-CERA C	CK725B1C-104K1	1	332121045R1	NSP
C8011	C-CERA C	CK725B1C-104K1	1	332121045R1	NSP
C8012	C-CERA C	CK725F1E-104Z1	1	332161040R1	NSP
C8013	C-CERA C	CK725F1E-104Z1	1	332161040R1	NSP
C8014	C-CERA C	CK725F1E-104Z1	1	332161040R1	NSP
C8015	C-CERA C	CK725B1C-104K1	1	332121045R1	NSP
C8016	C-CERA C	CK725B1C-104K1	1	332121045R1	NSP
C8017	C-CERA C	CK725B1C-104K1	1	332121045R1	NSP
C8018	C-CERA C	CK725F1E-104Z1	1	332161040R1	NSP
C8019	C-CERA C	CK725F1E-104Z1	1	332161040R1	NSP
C8020	C-CERA C	CK725B1C-104K1	1	332121045R1	NSP
C8021	C-CERA C	CK725F1E-104Z1	1	332161040R1	NSP
C8022	C-CERA C	CK725B1C-104K1	1	332121045R1	NSP
C8023	C-CERA C	CK725B1C-104K1	1	332121045R1	NSP
C8024	C-CERA C	CK725B1C-104K1	1	332121045R1	NSP
C8025	C-CERA C	CK725B1C-104K1	1	332121045R1	NSP

C8026	C-CERA C	CK725B1C-104K1	1	332121045R1	NSP
C8027	C-CERA C	CK725B1C-104K1	1	332121045R1	NSP
C8028	C-CERA C	CK725B1C-104K1	1	332121045R1	NSP
C8029	C-CERA C	CK725F1E-104Z1	1	332161040R1	NSP
C8030	C-CERA C	CK725B0J-106K	1	332091065R2	NSP
C8031	C-CERA C	CK725B0J-106K	1	332091065R2	NSP
C8032	CHIP TANTAL	TCSCS0J226MAAR	1	396522207R2	
C8032 or	CHIP TANTAL	F93-6.3V-22M	(1)	395522207R2	
C8032 or	CHIP TANTAL	TEESVA0J226M8R	(1)	398422207R2	
C8033	C-CERA C	CK725F1E-104Z1	1	332161040R1	NSP
C8034	C-CERA C	CK725B1H-102K1	1	332101025R1	NSP
C8035	C-CERA C	CK725F1E-104Z1	1	332161040R1	NSP
C8036	C-CERA C	CK725B0J-106K	1	332091065R2	NSP
C8037	C-CERA C	CK725B0J-106K	1	332091065R2	NSP
C8038	CHIP TANTAL	TCSCS0J226MAAR	1	396522207R2	
C8038 or	CHIP TANTAL	F93-6.3V-22M	(1)	395522207R2	
C8038 or	CHIP TANTAL	TEESVA0J226M8R	(1)	398422207R2	
C8039	C-CERA C	CK725F1E-104Z1	1	332161040R1	NSP
C8051	CHIP TANTAL	TCSCS0J226MAAR	1	396522207R2	
C8051 or	CHIP TANTAL	F93-6.3V-22M	(1)	395522207R2	
C8051 or	CHIP TANTAL	TEESVA0J226M8R	(1)	398422207R2	
C8052	C-CERA C	CK725F1A-105Z1	1	332181050R1	NSP
C8053	C-CERA C	CK725F1E-104Z1	1	332161040R1	NSP
C8054	C-CERA C	CK725B1H-102K1	1	332101025R1	NSP
C8055	C-CERA C	CK725B0J-106K	1	332091065R2	NSP
C8056	C-CERA C	CK725F1E-104Z1	1	332161040R1	NSP
C8057	C-CERA C	CK725B1H-102K1	1	332101025R1	NSP
C8058	C-CERA C	CK725B1H-103K1	1	332101035R1	NSP
C8059	C-CERA C	CK725B1H-102K1	1	332101025R1	NSP
C8060	C-CERA C	CK725B1H-103K1	1	332101035R1	NSP
C8061	C-CERA C	CK725B1H-102K1	1	332101025R1	NSP
C8062	C-CERA C	CK725B1H-103K1	1	332101035R1	NSP
C8063	C-CERA C	CK725B1H-102K1	1	332101025R1	NSP
C8064	C-CERA C	CK725B1H-103K1	1	332101035R1	NSP
C8065	C-CERA C	CK725B0J-106K	1	332091065R2	NSP
C8066	C-CERA C	CK725B1H-102K1	1	332101025R1	NSP
C8067	C-CERA C	CK725B1H-103K1	1	332101035R1	NSP
C8068	C-CERA C	CK725B1H-102K1	1	332101025R1	NSP
C8069	C-CERA C	CK725B1H-103K1	1	332101035R1	NSP
C8070	C-CERA C	CK725B1H-102K1	1	332101025R1	NSP
C8071	C-CERA C	CK725B1H-103K1	1	332101035R1	NSP
C8072	C-CERA C	CK725B1H-102K1	1	332101025R1	NSP
C8073	C-CERA C	CK725B1H-103K1	1	332101035R1	NSP
C8074	CHIP TANTAL	TCSCS0J226MAAR	1	396522207R2	

C8074 or	CHIP TANTAL	F93-6.3V-22M	(1)	395522207R2	
C8074 or	CHIP TANTAL	TEESVA0J226M8R	(1)	398422207R2	
C8075	C-CERA C	CK725F1A-105Z1	1	332181050R1	NSP
C8076	C-CERA C	CK725F1E-104Z1	1	332161040R1	NSP
C8077	C-CERA C	CK725B1H-102K1	1	332101025R1	NSP
C8079	C-CERA C	CK725F1E-104Z1	1	332161040R1	NSP
C8080	C-CERA C	CK725B1H-102K1	1	332101025R1	NSP
C8081	C-CERA C	CK725B1H-103K1	1	332101035R1	NSP
C8082	C-CERA C	CK725B1H-102K1	1	332101025R1	NSP
C8083	C-CERA C	CK725B1H-103K1	1	332101035R1	NSP
C8084	C-CERA C	CK725B1H-102K1	1	332101025R1	NSP
C8085	C-CERA C	CK725B1H-103K1	1	332101035R1	NSP
C8086	C-CERA C	CK725B1H-102K1	1	332101025R1	NSP
C8087	C-CERA C	CK725B1H-103K1	1	332101035R1	NSP
C8088	C-CERA C	CK725B0J-106K	1	332091065R2	NSP
C8089	C-CERA C	CK725B1H-102K1	1	332101025R1	NSP
C8090	C-CERA C	CK725B1H-103K1	1	332101035R1	NSP
C8091	C-CERA C	CK725B1H-102K1	1	332101025R1	NSP
C8092	C-CERA C	CK725B1H-103K1	1	332101035R1	NSP
C8093	C-CERA C	CK725B1H-102K1	1	332101025R1	NSP
C8094	C-CERA C	CK725B1H-103K1	1	332101035R1	NSP
C8095	C-CERA C	CK725B1H-102K1	1	332101025R1	NSP
C8096	C-CERA C	CK725B1H-103K1	1	332101035R1	NSP
C8157	C-CERA C	CK725B0J-106K	1	332091065R2	NSP
C8158	C-CERA C	CK725B0J-106K	1	332091065R2	NSP
C8159	C-CERA C	CK725B0J-106K	1	332091065R2	NSP
C8160	C-CERA C	CK725B0J-106K	1	332091065R2	NSP
C8161	C-CERA C	CK725B1H-102K1	1	332101025R1	NSP
C8162	C-CERA C	CK725F1E-104Z1	1	332161040R1	NSP
C8163	C-CERA C	CK725B1A-105K1	1	332131055R1	NSP
C8164	C-CERA C	CK725B1A-105K1	1	332131055R1	NSP
C8165	C-CERA C	CK725F1E-104Z1	1	332161040R1	NSP
C8166	C-CERA C	CK725B1H-102K1	1	332101025R1	NSP
C8167	C-CERA C	CK725F1E-104Z1	1	332161040R1	NSP
C8168	C-CERA C	CK725B1H-102K1	1	332101025R1	NSP
C8169	C-CERA C	CK725F1E-104Z1	1	332161040R1	NSP
C8170	C-CERA C	CK725B1H-102K1	1	332101025R1	NSP
C8171	C-CERA C	CK725F1E-104Z1	1	332161040R1	NSP
C8172	C-CERA C	CK725B1H-102K1	1	332101025R1	NSP
C8173	C-CERA C	CK725F1E-104Z1	1	332161040R1	NSP
C8174	C-CERA C	CK725B1H-102K1	1	332101025R1	NSP
C8175	C-CERA C	CK725F1E-104Z1	1	332161040R1	NSP
C8176	C-CERA C	CK725B1H-102K1	1	332101025R1	NSP
C8177	C-CERA C	CK725F1E-104Z1	1	332161040R1	NSP

C8178	C-CERA C	CK725B1H-102K1	1	332101025R1	NSP
C8179	C-CERA C	CK725F1E-104Z1	1	332161040R1	NSP
C8180	C-CERA C	CK725B1H-102K1	1	332101025R1	NSP
C8181	C-CERA C	CK725F1A-105Z1	1	332181050R1	NSP
C8182	C-CERA C	CK725B0J-106K	1	332091065R2	NSP
C8183	C-CERA C	CK725B1H-102K1	1	332101025R1	NSP
C8184	C-CERA C	CK725B0J-106K	1	332091065R2	NSP
C8185	C-CERA C	CK725B0J-106K	1	332091065R2	NSP
C8186	C-CERA C	CK725F1E-104Z1	1	332161040R1	NSP
C8187	C-CERA C	CK725B0J-106K	1	332091065R2	NSP
C8188	C-CERA C	CK725B0J-106K	1	332091065R2	NSP
C8189	C-CERA C	CK725B0J-106K	1	332091065R2	NSP
C8190	C-CERA C	CK725F1E-104Z1	1	332161040R1	NSP
C8191	C-CERA C	CK725B1H-102K1	1	332101025R1	NSP
C8192	C-CERA C	CK725B1H-102K1	1	332101025R1	NSP
C8193	C-CERA C	CK725F1E-104Z1	1	332161040R1	NSP
C8194	C-CERA C	CK725F1A-105Z1	1	332181050R1	NSP
C8195	C-CERA C	CK725F1A-105Z1	1	332181050R1	NSP
C8196	C-CERA C	CK725F1A-105Z1	1	332181050R1	NSP
C8197	C-CERA C	CK725F1A-105Z1	1	332181050R1	NSP
C8198	C-CERA C	CK725F1A-105Z1	1	332181050R1	NSP
C8199	C-CERA C	CK725B1H-102K1	1	332101025R1	NSP
C8200	C-CERA C	CK725F1E-104Z1	1	332161040R1	NSP
C8201	C-CERA C	CK725B1H-102K1	1	332101025R1	NSP
C8202	CHIP TANTAL	TCSCS0J226MAAR	1	396522207R2	
C8202 or	CHIP TANTAL	F93-6.3V-22M	(1)	395522207R2	
C8202 or	CHIP TANTAL	TEESVA0J226M8R	(1)	398422207R2	
C8203	C-CERA C	CK725B0J-106K	1	332091065R2	NSP
C8204	C-CERA C	CK725B0J-106K	1	332091065R2	NSP
C8205	CHIP TANTAL	TCSCS0J226MAAR	1	396522207R2	
C8205 or	CHIP TANTAL	F93-6.3V-22M	(1)	395522207R2	
C8205 or	CHIP TANTAL	TEESVA0J226M8R	(1)	398422207R2	
C8206	C-CERA C	CK725B1H-102K1	1	332101025R1	NSP
C8207	C-CERA C	CK725F1E-104Z1	1	332161040R1	NSP
C8208	C-CERA C	CC725CH1H-330J1	1	342103304R1	NSP
C8209	C-CERA C	CC725CH1H-330J1	1	342103304R1	NSP
C8210	C-CERA C	CK725F1E-104Z1	1	332161040R1	NSP
C8211	C-CERA C	CK725B0J-106K	1	332091065R2	NSP
C8212	C-CERA C	CK725B0J-106K	1	332091065R2	NSP
C8213	C-CERA C	CK725F1E-104Z1	1	332161040R1	NSP
C8214	C-CERA C	CK725B0J-106K	1	332091065R2	NSP
C8215	C-CERA C	CK725B0J-106K	1	332091065R2	NSP
C8216	C-CERA C	CK725B0J-106K	1	332091065R2	NSP
C8217	CHIP TANTAL	TCSCS0J226MAAR	1	396522207R2	

C8217 or	CHIP TANTAL	F93-6.3V-22M	(1)	395522207R2	
C8217 or	CHIP TANTAL	TEESVA0J226M8R	(1)	398422207R2	
C8218	C-CERA C	CK725B1H-102K1	1	332101025R1	NSP
C8219	C-CERA C	CK725F1E-104Z1	1	332161040R1	NSP
C8220	C-CERA C	CK725B1H-102K1	1	332101025R1	NSP
C8221	C-CERA C	CK725F1E-104Z1	1	332161040R1	NSP
C8222	C-CERA C	CK725B1H-102K1	1	332101025R1	NSP
C8223	C-CERA C	CK725F1E-104Z1	1	332161040R1	NSP
C8224	C-CERA C	CK725F1E-104Z1	1	332161040R1	NSP
C8225	C-CERA C	CK725B1H-102K1	1	332101025R1	NSP
C8226	C-CERA C	CK725F1E-104Z1	1	332161040R1	NSP
C8227	C-CERA C	CK725B1H-102K1	1	332101025R1	NSP
C8228	C-CERA C	CK725F1E-104Z1	1	332161040R1	NSP
C8229	C-CERA C	CK725F1E-104Z1	1	332161040R1	NSP
C8230	CHIP TANTAL	TCSCS0J226MAAR	1	396522207R2	
C8230 or	CHIP TANTAL	F93-6.3V-22M	(1)	395522207R2	
C8230 or	CHIP TANTAL	TEESVA0J226M8R	(1)	398422207R2	
C8231	C-CERA C	CK725B0J-106K	1	332091065R2	NSP
C8232	C-CERA C	CK725B0J-106K	1	332091065R2	NSP
C8233	C-CERA C	CK725B1H-102K1	1	332101025R1	NSP
C8234	C-CERA C	CK725F1E-104Z1	1	332161040R1	NSP
C8235	C-CERA C	CK725B1H-102K1	1	332101025R1	NSP
C8236	C-CERA C	CK725F1E-104Z1	1	332161040R1	NSP
C8237	C-CERA C	CK725B1H-102K1	1	332101025R1	NSP
C8238	C-CERA C	CK725F1E-104Z1	1	332161040R1	NSP
C8239	C-CERA C	CK725B1H-102K1	1	332101025R1	NSP
C8240	C-CERA C	CK725B0J-106K	1	332091065R2	NSP
C8241	C-CERA C	CK725B0J-106K	1	332091065R2	NSP
C8242	C-CERA C	CK725F1E-104Z1	1	332161040R1	NSP
C8243	C-CERA C	CK725B1H-102K1	1	332101025R1	NSP
C8244	C-CERA C	CK725F1E-104Z1	1	332161040R1	NSP
C8245	C-CERA C	CK725B1H-102K1	1	332101025R1	NSP
C8246	C-CERA C	CK725F1E-104Z1	1	332161040R1	NSP
C8247	C-CERA C	CK725B0J-106K	1	332091065R2	NSP
C8253	C-CERA C	CK725B0J-106K	1	332091065R2	NSP
C8254	C-CERA C	CK725F1E-104Z1	1	332161040R1	NSP
C8255	C-CERA C	CK725F1E-104Z1	1	332161040R1	NSP
C8256	C-CERA C	CK725B1H-102K1	1	332101025R1	NSP
C8257	C-CERA C	CK725B0J-106K	1	332091065R2	NSP
C8258	C-CERA C	CK725F1E-104Z1	1	332161040R1	NSP
C8259	C-CERA C	CK725F1E-104Z1	1	332161040R1	NSP
C8260	C-CERA C	CK725B0J-106K	1	332091065R2	NSP
C8261	C-CERA C	CK725F1E-104Z1	1	332161040R1	NSP
C8262	C-CERA C	CK725F1E-104Z1	1	332161040R1	NSP

C8263	C-CERA C	CK725B0J-106K	1	332091065R2	NSP
C8264	C-CERA C	CK725F1E-104Z1	1	332161040R1	NSP
C8265	C-CERA C	CK725F1E-104Z1	1	332161040R1	NSP
C8266	C-CERA C	CK725F1E-104Z1	1	332161040R1	NSP
C8267	C-CERA C	CK725B0J-106K	1	332091065R2	NSP
C8268	C-CERA C	CK725F1E-104Z1	1	332161040R1	NSP
C8269	C-CERA C	CK725F1E-104Z1	1	332161040R1	NSP
C8270	C-CERA C	CK725F1E-104Z1	1	332161040R1	NSP
C8271	C-CERA C	CK725F1E-104Z1	1	332161040R1	NSP
C8272	C-CERA C	CK725B0J-106K	1	332091065R2	NSP
C8273	CHIP TANTAL	TCSCS0J226MAAR	1	396522207R2	
C8273 or	CHIP TANTAL	F93-6.3V-22M	(1)	395522207R2	
C8273 or	CHIP TANTAL	TEESVA0J226M8R	(1)	398422207R2	
C8274	C-CERA C	CK725B1H-102K1	1	332101025R1	NSP
C8275	C-CERA C	CK725B1H-103K1	1	332101035R1	NSP
C8276	C-CERA C	CK725B1H-102K1	1	332101025R1	NSP
C8277	C-CERA C	CK725B1H-103K1	1	332101035R1	NSP
C8278	C-CERA C	CK725B1H-102K1	1	332101025R1	NSP
C8279	C-CERA C	CK725B1H-103K1	1	332101035R1	NSP
C8280	C-CERA C	CK725B1H-102K1	1	332101025R1	NSP
C8281	CHIP TANTAL	TCSCS0J226MAAR	1	396522207R2	
C8281 or	CHIP TANTAL	F93-6.3V-22M	(1)	395522207R2	
C8281 or	CHIP TANTAL	TEESVA0J226M8R	(1)	398422207R2	
C8282	C-CERA C	CK725B1H-102K1	1	332101025R1	NSP
C8283	C-CERA C	CK725B1H-103K1	1	332101035R1	NSP
C8284	C-CERA C	CK725B1H-102K1	1	332101025R1	NSP
C8285	C-CERA C	CK725B1H-103K1	1	332101035R1	NSP
C8286	C-CERA C	CK725B1H-102K1	1	332101025R1	NSP
C8287	C-CERA C	CK725B1H-103K1	1	332101035R1	NSP
C8288	C-CERA C	CK725B1H-102K1	1	332101025R1	NSP
C8289	C-CERA C	CK725F1E-104Z1	1	332161040R1	NSP
C8290	C-CERA C	CK725B1H-102K1	1	332101025R1	NSP
C8291	C-CERA C	CK725F1E-104Z1	1	332161040R1	NSP
C8292	C-CERA C	CK725F1A-105Z1	1	332181050R1	NSP
C8293	CHIP TANTAL	TCSCS0J226MAAR	1	396522207R2	
C8293 or	CHIP TANTAL	F93-6.3V-22M	(1)	395522207R2	
C8293 or	CHIP TANTAL	TEESVA0J226M8R	(1)	398422207R2	
C8294	CHIP TANTAL	TCSCS0J226MAAR	1	396522207R2	
C8294 or	CHIP TANTAL	F93-6.3V-22M	(1)	395522207R2	
C8294 or	CHIP TANTAL	TEESVA0J226M8R	(1)	398422207R2	
C8295	C-CERA C	CK725B1H-103K1	1	332101035R1	NSP
C8296	C-CERA C	CK725B1H-103K1	1	332101035R1	NSP
C8297	CHIP TANTAL	TCSCS0J226MAAR	1	396522207R2	
C8297 or	CHIP TANTAL	F93-6.3V-22M	(1)	395522207R2	

C8297 or	CHIP TANTAL	TEESVA0J226M8R	(1)	398422207R2	
C8298	C-CERA C	CK725B1H-103K1	1	332101035R1	NSP
C8299	C-CERA C	CK725B1H-103K1	1	332101035R1	NSP
C8326	C-CERA C	CK725F1E-104Z1	1	332161040R1	NSP
C8328	C-CERA C	CK725B0J-106K	1	332091065R2	NSP
C8330	C-CERA C	CK725F1E-104Z1	1	332161040R1	NSP
C8348	C-CERA C	CK725B1H-102K1	1	332101025R1	NSP
C8399	C-CERA C	CK725B1H-102K1	1	332101025R1	NSP
C8401	C-CERA C	CK725F1E-104Z1	1	332161040R1	NSP
C8402	C-CERA C	CK725B1H-103K1	1	332101035R1	NSP
C8403	C-CERA C	CK725F1E-104Z1	1	332161040R1	NSP
C8404	C-CERA C	CK725B1H-103K1	1	332101035R1	NSP
C8405	C-CERA C	CK725F1E-104Z1	1	332161040R1	NSP
C8406	C-CERA C	CK725B1H-103K1	1	332101035R1	NSP
C8407	C-CERA C	CK725F1E-104Z1	1	332161040R1	NSP
C8408	C-CERA C	CK725B1H-103K1	1	332101035R1	NSP
C8409	C-CERA C	CK725F1E-104Z1	1	332161040R1	NSP
C8410	C-CERA C	CK725B1H-103K1	1	332101035R1	NSP
C8411	C-CERA C	CK725F1E-104Z1	1	332161040R1	NSP
C8412	C-CERA C	CK725B1H-103K1	1	332101035R1	NSP
C8413	C-CERA C	CK725F1E-104Z1	1	332161040R1	NSP
C8414	C-CERA C	CK725B1H-103K1	1	332101035R1	NSP
C8415	C-CERA C	CK725F1E-104Z1	1	332161040R1	NSP
C8416	C-CERA C	CK725B1H-103K1	1	332101035R1	NSP
C8417	C-CERA C	CK725F1E-104Z1	1	332161040R1	NSP
C8418	C-CERA C	CK725B1H-103K1	1	332101035R1	NSP
C8419	C-CERA C	CC725CH1H-040C1	1	342100401R1	NSP
C8420	C-CERA C	CK725B1H-102K1	1	332101025R1	NSP
C8421	C-CERA C	CK725B0J-106K	1	332091065R2	NSP
C8422	C-CERA C	CK725B0J-106K	1	332091065R2	NSP
C8424	C-CERA C	CK725B0J-106K	1	332091065R2	NSP
C8425	C-CERA C	CK725B0J-106K	1	332091065R2	NSP
C8428	C-CERA C	CK725B0J-106K	1	332091065R2	NSP
C8429	C-CERA C	CK725F1E-104Z1	1	332161040R1	NSP
C8430	C-CERA C	CC725CH1H-080D1	1	342100802R1	NSP
C8431	C-CERA C	CK725B0J-106K	1	332091065R2	NSP
C8432	C-CERA C	CK725B1H-103K1	1	332101035R1	NSP
C8433	C-CERA C	CK725F1E-104Z1	1	332161040R1	NSP
C8434	C-CERA C	CK725B1H-103K1	1	332101035R1	NSP
C8435	C-CERA C	CK725F1E-104Z1	1	332161040R1	NSP
C8436	C-CERA C	CK725F1A-105Z1	1	332181050R1	NSP
C8437	C-CERA C	CK725F1A-105Z1	1	332181050R1	NSP
C8438	C-CERA C	CK725F1A-105Z1	1	332181050R1	NSP
C8439	C-CERA C	CK725F1A-105Z1	1	332181050R1	NSP

C8440	C-CERA C	CK725B1A-105K1	1	332131055R1	NSP
C8441	C-CERA C	CK725B1A-105K1	1	332131055R1	NSP
C8442	C-CERA C	CC725CH1H-101J1	1	342101014R1	NSP
C8443	C-CERA C	CK725B1C-104K1	1	332121045R1	NSP
C8502	C-CERA C	CK725B0J-106K	1	332091065R2	NSP
C8506	C-CERA C	CK725B0J-106K	1	332091065R2	NSP
C8507	C-CERA C	CK725B1H-102K1	1	332101025R1	NSP
C8508	C-CERA C	CK725F1A-105Z1	1	332181050R1	NSP
C8509	C-CERA C	CK725B1H-102K1	1	332101025R1	NSP
C8510	C-CERA C	CK725F1A-105Z1	1	332181050R1	NSP
C8511	C-CERA C	CK725B1H-102K1	1	332101025R1	NSP
C8512	C-CERA C	CK725F1E-104Z1	1	332161040R1	NSP
C8513	C-CERA C	CK725B1H-102K1	1	332101025R1	NSP
C8514	C-CERA C	CK725F1E-104Z1	1	332161040R1	NSP
C8515	C-CERA C	CK725B1H-102K1	1	332101025R1	NSP
C8516	C-CERA C	CK725F1E-104Z1	1	332161040R1	NSP
C8517	C-CERA C	CK725B1H-102K1	1	332101025R1	NSP
C8518	C-CERA C	CK725F1E-104Z1	1	332161040R1	NSP
C8519	C-CERA C	CK725B1H-102K1	1	332101025R1	NSP
C8522	C-CERA C	CK725B0J-106K	1	332091065R2	NSP
C8524	C-CERA C	CK725B0J-106K	1	332091065R2	NSP
C8525	C-CERA C	CK725B0J-106K	1	332091065R2	NSP
C8527	C-CERA C	CK725B1H-102K1	1	332101025R1	NSP
C8530	C-CERA C	CK725F1E-104Z1	1	332161040R1	NSP
C8531	C-CERA C	CK725B1H-102K1	1	332101025R1	NSP
C8532	C-CERA C	CK725F1E-104Z1	1	332161040R1	NSP
C8533	C-CERA C	CK725B1H-102K1	1	332101025R1	NSP
C8534	C-CERA C	CK725F1E-104Z1	1	332161040R1	NSP
C8535	C-CERA C	CK725B1H-102K1	1	332101025R1	NSP
C8536	C-CERA C	CK725F1E-104Z1	1	332161040R1	NSP
C8537	C-CERA C	CK725B1H-102K1	1	332101025R1	NSP
C8538	C-CERA C	CK725F1E-104Z1	1	332161040R1	NSP
C8539	C-CERA C	CK725B1H-102K1	1	332101025R1	NSP
C8548	C-CERA C	CK725F1E-104Z1	1	332161040R1	NSP
C8549	C-CERA C	CK725B1H-102K1	1	332101025R1	NSP
C8550	C-CERA C	CK725F1E-104Z1	1	332161040R1	NSP
C8551	C-CERA C	CK725B1H-102K1	1	332101025R1	NSP
C8552	C-CERA C	CK725F1E-104Z1	1	332161040R1	NSP
C8553	C-CERA C	CK725B1H-102K1	1	332101025R1	NSP
C8554	C-CERA C	CK725F1E-104Z1	1	332161040R1	NSP
C8555	C-CERA C	CK725B1H-102K1	1	332101025R1	NSP
C8556	C-CERA C	CK725F1E-104Z1	1	332161040R1	NSP
C8557	C-CERA C	CK725B1H-102K1	1	332101025R1	NSP
C8560	C-CERA C	CK725B0J-106K	1	332091065R2	NSP

C8561	C-CERA C	CK725B0J-106K	1	332091065R2	NSP
C8563	C-CERA C	CK725B0J-106K	1	332091065R2	NSP
C8565	C-CERA C	CK725B0J-106K	1	332091065R2	NSP
C8566	C-CERA C	CK725B1H-102K1	1	332101025R1	NSP
C8567	C-CERA C	CK725F1E-104Z1	1	332161040R1	NSP
C8573	C-CERA C	CK725F1E-104Z1	1	332161040R1	NSP
C8574	C-CERA C	CC725CH1H-060D1	1	342100602R1	NSP
C8575	C-CERA C	CC725CH1H-060D1	1	342100602R1	NSP
C8584	C-CERA C	CK725B0J-106K	1	332091065R2	NSP
C8605	C-CERA C	CK725B1H-102K1	1	332101025R1	NSP
C8606	C-CERA C	CK725B1H-102K1	1	332101025R1	NSP
C8611	C-CERA C	CK725B1H-102K1	1	332101025R1	NSP
C8612	C-CERA C	CK725B1H-102K1	1	332101025R1	NSP
C8621	C-CERA C	CK725B1H-102K1	1	332101025R1	NSP
C8622	C-CERA C	CK725B1H-102K1	1	332101025R1	NSP
C8631	C-CARBON R	RN72K1J-000JE	1	435030004R1	NSP
C8632	C-CERA C	CK725B1H-102K1	1	332101025R1	NSP
C8641	C-CERA C	CK725B1H-102K1	1	332101025R1	NSP
C8642	C-CERA C	CK725B1H-102K1	1	332101025R1	NSP
C8662	C-CARBON R	RN72K1J-000JE	1	435030004R1	NSP
C8663	C-CERA C	CK725F1E-104Z1	1	332161040R1	NSP
C8664	C-CERA C	CK725B1H-102K1	1	332101025R1	NSP
C8665	C-CERA C	CK725F1E-104Z1	1	332161040R1	NSP
C8666	C-CERA C	CK725B1H-102K1	1	332101025R1	NSP
C8669	C-CERA C	CK725F1E-104Z1	1	332161040R1	NSP
C8670	C-CERA C	CK725B1H-102K1	1	332101025R1	NSP
C8671	C-CERA C	CK725F1E-104Z1	1	332161040R1	NSP
C8672	C-CERA C	CK725B1H-102K1	1	332101025R1	NSP
C8673	C-CERA C	CK725F1E-104Z1	1	332161040R1	NSP
C8674	C-CERA C	CK725B1H-102K1	1	332101025R1	NSP
C8675	C-CERA C	CK725F1E-104Z1	1	332161040R1	NSP
C8676	C-CERA C	CK725B1H-102K1	1	332101025R1	NSP
C8677	C-CERA C	CK725B0J-106K	1	332091065R2	NSP
C8680	C-CERA C	CK725B0J-106K	1	332091065R2	NSP
C8681	C-CERA C	CK725F1E-104Z1	1	332161040R1	NSP
C8682	C-CERA C	CK725B1H-102K1	1	332101025R1	NSP
C8687	C-CERA C	CK725F1E-104Z1	1	332161040R1	NSP
C8690	C-CERA C	CK725F1E-104Z1	1	332161040R1	NSP
C8701	C-CERA C	CK725F1E-104Z1	1	332161040R1	NSP
C8702	C-CERA C	CK725F1E-104Z1	1	332161040R1	NSP
C8703	C-CERA C	CK725F1A-105Z1	1	332181050R1	NSP
C8704	CHIP ELECT C	CEWX50V-4.7M	1	398180477R2	NSP
C8705	C-CERA C	CK725F1A-105Z1	1	332181050R1	NSP
C8706	C-CERA C	CK725F1E-104Z1	1	332161040R1	NSP

C8707	C-CERA C	CK725F1E-104Z1	1	332161040R1	NSP
C8708	C-CERA C	CK725B0J-106K	1	332091065R2	NSP
C8709	C-CERA C	CK725B0J-106K	1	332091065R2	NSP
C8710	C-CERA C	CK725F1A-105Z1	1	332181050R1	NSP
C8801	C-CERA C	CK725F1E-104Z1	1	332161040R1	NSP
C8802	C-CERA C	CK725F1E-104Z1	1	332161040R1	NSP
C8803	C-CERA C	CK725F1E-104Z1	1	332161040R1	NSP
C8804	C-CERA C	CK725F1E-104Z1	1	332161040R1	NSP
C8805	C-CERA C	CK725F1E-104Z1	1	332161040R1	NSP
C8806	C-CERA C	CK725B1H-102K1	1	332101025R1	NSP
C8807	C-CERA C	CK725F1E-104Z1	1	332161040R1	NSP
C8808	C-CERA C	CK725B1H-102K1	1	332101025R1	NSP
C8809	C-CERA C	CK725F1E-104Z1	1	332161040R1	NSP
C8810	C-CERA C	CK725B1H-102K1	1	332101025R1	NSP
C8811	C-CERA C	CK725F1E-104Z1	1	332161040R1	NSP
C8812	C-CERA C	CK725B1H-102K1	1	332101025R1	NSP
C8813	C-CERA C	CK725F1E-104Z1	1	332161040R1	NSP
C8814	C-CERA C	CK725B1H-102K1	1	332101025R1	NSP
C8815	C-CERA C	CK725F1E-104Z1	1	332161040R1	NSP
C8816	C-CERA C	CK725B1H-102K1	1	332101025R1	NSP
C8817	C-CERA C	CK725B0J-106K	1	332091065R2	NSP
C8818	C-CERA C	CK725B0J-106K	1	332091065R2	NSP
C8819	C-CERA C	CK725B0J-106K	1	332091065R2	NSP
C8820	C-CERA C	CK725B0J-106K	1	332091065R2	NSP
C8821	C-CERA C	CK725B1H-102K1	1	332101025R1	NSP
C8822	C-CERA C	CK725F1E-104Z1	1	332161040R1	NSP
C8901	CHIP ELECT C	CEWX16V-100M	1	398141017R2	NSP
C8902	C-CERA C	CK725B1E-106K	1	332221065R2	NSP
C8903	C-CERA C	CK725B1E-106K	1	332221065R2	NSP
C8904	C-CERA C	CK725B1A-105K1	1	332131055R1	NSP
C8905	C-CERA C	CK725B1A-105K1	1	332131055R1	NSP
C8906	C-CERA C	CK725F1E-104Z1	1	332161040R1	NSP
C8907	C-CERA C	CK725B1A-105K1	1	332131055R1	NSP
C8908	C-CERA C	CK725B1A-105K1	1	332131055R1	NSP
C8909	C-CERA C	CK725F1E-104Z1	1	332161040R1	NSP
C8910	C-CERA C	CK725F1E-104Z1	1	332161040R1	NSP
C8911	C-CERA C	CK725B0J-106K	1	332091065R2	NSP
C8912	C-CERA C	CK725F1E-104Z1	1	332161040R1	NSP
C8913	C-CERA C	CK725B0J-106K	1	332091065R2	NSP
C8914	C-CERA C	CK725F1E-104Z1	1	332161040R1	NSP
C8915	C-CERA C	CK725B0J-106K	1	332091065R2	NSP
C8916	CHIP TANTAL	TCSCS0J107M8R	1	396521017R2	
C8916 or	CHIP TANTAL	F93-6.3V-100M	(1)	395521017R2	
C8916 or	CHIP TANTAL	TEESVB20J107M8R	(1)	398421017R2	

C8917	C-CERA C	CK725B0J-106K	1	332091065R2	NSP
C8918	CHIP TANTAL	TCSCS0J107MBAR	1	396521017R2	
C8918 or	CHIP TANTAL	F93-6.3V-100M	(1)	395521017R2	
C8918 or	CHIP TANTAL	TEESVB20J107M8R	(1)	398421017R2	
C8919	C-CERA C	CK725B0J-106K	1	332091065R2	NSP
C8920	C-CERA C	CK725B0J-106K	1	332091065R2	NSP
C8921	C-CERA C	CK725F1E-104Z1	1	332161040R1	NSP
C8922	C-CERA C	CK725F1E-104Z1	1	332161040R1	NSP
C8950	C-CERA C	CC725CH1H-151J1	1	342101514R1	NSP
C8951	C-CERA C	CK725F1E-104Z1	1	332161040R1	NSP
C8952	C-CERA C	CK725F1E-104Z1	1	332161040R1	NSP
C8953	C-CERA C	CK725B1E-106K	1	332221065R2	NSP
C8954	C-CERA C	CK725B1E-106K	1	332221065R2	NSP
C8955	C-CERA C	CK725B1H-103K1	1	332101035R1	NSP
C8956	C-CERA C	CK725B0J-106K	1	332091065R2	NSP
C8957	C-CERA C	CK725B0J-106K	1	332091065R2	NSP
C8958	C-CERA C	CK725B0J-106K	1	332091065R2	NSP
C8959	C-CERA C	CK725F1A-105Z1	1	332181050R1	NSP
C8960	CHIP ELECT C	CEWX16V-100M	1	398141017R2	NSP
C8961	C-CERA C	CK725F1E-104Z1	1	332161040R1	NSP
C8962	C-CERA C	CK725F1E-104Z1	1	332161040R1	NSP
C8963	C-CERA C	CK725B1E-106K	1	332221065R2	NSP
C8964	C-CERA C	CK725B1E-106K	1	332221065R2	NSP
C8965	C-CERA C	CK725B1H-223K1	1	332102235R1	NSP
C8966	C-CERA C	CK725B0J-106K	1	332091065R2	NSP
C8967	C-CERA C	CK725B0J-106K	1	332091065R2	NSP
C8968	C-CERA C	CK725B0J-106K	1	332091065R2	NSP
C8969	C-CERA C	CK725F1A-105Z1	1	332181050R1	NSP
C8970	CHIP ELECT C	CEWX16V-100M	1	398141017R2	NSP
C8971	C-CERA C	CK725F1E-104Z1	1	332161040R1	NSP
C8972	C-CERA C	CC725CH1H-331J1	1	342103314R1	NSP
[RESISTOR]					
R200	C-CARBON R	RN72K1J-221JE	1	435032214R1	NSP
R201	C-CARBON R	RN72K1J-103JE	1	435031034R1	NSP
R202	C-CARBON R	RN72K1J-103JE	1	435031034R1	NSP
R203	C-CARBON R	RN72K1J-103JE	1	435031034R1	NSP
R205	C-CARBON R	RN72K1J-103JE	1	435031034R1	NSP
R206	C-CARBON R	RN72K1J-221JE	1	435032214R1	NSP
R207	C-CARBON R	RN72K1J-391JE	1	435033914R1	NSP
R208	C-CARBON R	RN72K1J-103JE	1	435031034R1	NSP
R209	C-CARBON R	RN72K1J-470JE	1	435034704R1	NSP
R210	C-R NET	RM7LJ330X04	1	43484733004R2	NSP
R211	C-R NET	RM7LJ330X04	1	43484733004R2	NSP
R212	C-R NET	RM7LJ330X04	1	43484733004R2	NSP

R213	C-R NET	RM7LJ330X04	1	43484733004R2	NSP
R214	C-R NET	RM7LJ330X04	1	43484733004R2	NSP
R215	C-R NET	RM7LJ330X04	1	43484733004R2	NSP
R216	C-R NET	RM7LJ330X04	1	43484733004R2	NSP
R217	C-R NET	RM7LJ330X04	1	43484733004R2	NSP
R218	C-R NET	RM7LJ330X04	1	43484733004R2	NSP
R221	C-CARBON R	RN72K1J-750JE	1	435037504R1	NSP
R240	C-CARBON R	RN72K1J-331JE	1	435033314R1	NSP
R241	C-CARBON R	RN72K1J-331JE	1	435033314R1	NSP
R242	C-CARBON R	RN72K1J-470JE	1	435034704R1	NSP
R243	C-CARBON R	RN72K1J-221JE	1	435032214R1	NSP
R244	C-CARBON R	RN72K1J-470JE	1	435034704R1	NSP
R245	C-CARBON R	RN72K1J-103JE	1	435031034R1	NSP
R246	C-CARBON R	RN72K1J-000JE	1	435030004R1	NSP
R250	C-CARBON R	RN72K1J-472JE	1	435034724R1	NSP
R251	C-CARBON R	RN72K1J-221JE	1	435032214R1	NSP
R252	C-CARBON R	RN72K1J-331JE	1	435033314R1	NSP
R253	C-CARBON R	RN72K1J-470JE	1	435034704R1	NSP
R254	C-CARBON R	RN72K1J-470JE	1	435034704R1	NSP
R255	C-CARBON R	RN72K1J-470JE	1	435034704R1	NSP
R256	C-CARBON R	RN72K1J-470JE	1	435034704R1	NSP
R257	C-CARBON R	RN72K1J-470JE	1	435034704R1	NSP
R258	C-CARBON R	RN72K1J-470JE	1	435034704R1	NSP
R259	C-CARBON R	RN72K1J-331JE	1	435033314R1	NSP
R260	C-CARBON R	RN72K1J-470JE	1	435034704R1	NSP
R261	C-CARBON R	RN72K1J-470JE	1	435034704R1	NSP
R262	C-CARBON R	RN72K1J-331JE	1	435033314R1	NSP
R263	C-CARBON R	RN72K1J-331JE	1	435033314R1	NSP
R264	C-CARBON R	RN72K1J-331JE	1	435033314R1	NSP
R265	C-CARBON R	RN72K1J-470JE	1	435034704R1	NSP
R267	C-CARBON R	RN72K1J-105JE	1	435031054R1	NSP
R268	C-CARBON R	RN72K1J-331JE	1	435033314R1	NSP
R269	C-CARBON R	RN72K1J-331JE	1	435033314R1	NSP
R270	C-CARBON R	RN72K1J-331JE	1	435033314R1	NSP
R271	C-CARBON R	RN72K1J-470JE	1	435034704R1	NSP
R272	C-CARBON R	RN72K1J-331JE	1	435033314R1	NSP
R273	C-CARBON R	RN72K1J-331JE	1	435033314R1	NSP
R274	C-CARBON R	RN72K1J-470JE	1	435034704R1	NSP
R275	C-CARBON R	RN72K1J-221JE	1	435032214R1	NSP
R276	C-CARBON R	RN72K1J-221JE	1	435032214R1	NSP
R277	C-CARBON R	RN72K1J-151JE	1	435031514R1	NSP
R278	C-CARBON R	RN72K1J-331JE	1	435033314R1	NSP
R279	C-CARBON R	RN72K1J-331JE	1	435033314R1	NSP
R280	C-CARBON R	RN72K1J-470JE	1	435034704R1	NSP

R281	C-CARBON R	RN72K1J-103JE	1	435031034R1	NSP
R282	C-CARBON R	RN72K1J-103JE	1	435031034R1	NSP
R283	C-CARBON R	RN72K1J-103JE	1	435031034R1	NSP
R284	C-CARBON R	RN72K1J-103JE	1	435031034R1	NSP
R285	C-CARBON R	RN72K1J-103JE	1	435031034R1	NSP
R286	C-CARBON R	RN72K1J-331JE	1	435033314R1	NSP
R287	C-CARBON R	RN72K1J-103JE	1	435031034R1	NSP
R288	C-CARBON R	RN72K1J-103JE	1	435031034R1	NSP
R289	C-CARBON R	RN72K1J-472JE	1	435034724R1	NSP
R290	C-CARBON R	RN72K1J-472JE	1	435034724R1	NSP
R295	C-CARBON R	RN72K2E-068JE	1	435220684R1	NSP
R296	C-CARBON R	RN72K2E-068JE	1	435220684R1	NSP
R297	C-CARBON R	RN72K2E-068JE	1	435220684R1	NSP
R298	C-CARBON R	RN72K2E-068JE	1	435220684R1	NSP
R8000	C-CARBON R	RN72K1J-220JE	1	435032204R1	NSP
R8001	C-CARBON R	RN72K1J-220JE	1	435032204R1	NSP
R8002	C-CARBON R	RN72K1J-220JE	1	435032204R1	NSP
R8003	C-CARBON R	RN72K1J-220JE	1	435032204R1	NSP
R8004	C-CARBON R	RN72K1J-750JE	1	435037504R1	NSP
R8005	C-CARBON R	RN72K1J-750JE	1	435037504R1	NSP
R8006	C-CARBON R	RN72K1J-750JE	1	435037504R1	NSP
R8007	C-CARBON R	RN72K1J-750JE	1	435037504R1	NSP
R8008	C-CARBON R	RN72K1J-471JE	1	435034714R1	NSP
R8009	C-CARBON R	RN72K1J-680JE	1	435036804R1	NSP
R8010	C-CARBON R	RN72K1J-471JE	1	435034714R1	NSP
R8011	C-CARBON R	RN72K1J-680JE	1	435036804R1	NSP
R8012	C-CARBON R	RN72K1J-220JE	1	435032204R1	NSP
R8013	C-CARBON R	RN72K1J-220JE	1	435032204R1	NSP
R8014	C-CARBON R	RN72K1J-220JE	1	435032204R1	NSP
R8015	C-CARBON R	RN72K1J-220JE	1	435032204R1	NSP
R8016	C-CARBON R	RN72K1J-750JE	1	435037504R1	NSP
R8017	C-CARBON R	RN72K1J-750JE	1	435037504R1	NSP
R8018	C-CARBON R	RN72K1J-750JE	1	435037504R1	NSP
R8019	C-CARBON R	RN72K1J-750JE	1	435037504R1	NSP
R8020	C-CARBON R	RN72K1J-471JE	1	435034714R1	NSP
R8021	C-CARBON R	RN72K1J-680JE	1	435036804R1	NSP
R8022	C-CARBON R	RN72K1J-471JE	1	435034714R1	NSP
R8023	C-CARBON R	RN72K1J-680JE	1	435036804R1	NSP
R8024	C-CARBON R	RN72K1J-220JE	1	435032204R1	NSP
R8025	C-CARBON R	RN72K1J-220JE	1	435032204R1	NSP
R8026	C-CARBON R	RN72K1J-220JE	1	435032204R1	NSP
R8027	C-CARBON R	RN72K1J-220JE	1	435032204R1	NSP
R8028	C-CARBON R	RN72K1J-750JE	1	435037504R1	NSP
R8029	C-CARBON R	RN72K1J-750JE	1	435037504R1	NSP

R8030	C-CARBON R	RN72K1J-750JE	1	435037504R1	NSP
R8031	C-CARBON R	RN72K1J-750JE	1	435037504R1	NSP
R8032	C-CARBON R	RN72K1J-471JE	1	435034714R1	NSP
R8033	C-CARBON R	RN72K1J-680JE	1	435036804R1	NSP
R8034	C-CARBON R	RN72K1J-471JE	1	435034714R1	NSP
R8035	C-CARBON R	RN72K1J-680JE	1	435036804R1	NSP
R8036	C-CARBON R	RN72K1J-220JE	1	435032204R1	NSP
R8037	C-CARBON R	RN72K1J-220JE	1	435032204R1	NSP
R8038	C-CARBON R	RN72K1J-220JE	1	435032204R1	NSP
R8039	C-CARBON R	RN72K1J-220JE	1	435032204R1	NSP
R8040	C-CARBON R	RN72K1J-750JE	1	435037504R1	NSP
R8041	C-CARBON R	RN72K1J-750JE	1	435037504R1	NSP
R8042	C-CARBON R	RN72K1J-750JE	1	435037504R1	NSP
R8043	C-CARBON R	RN72K1J-750JE	1	435037504R1	NSP
R8044	C-CARBON R	RN72K1J-471JE	1	435034714R1	NSP
R8045	C-CARBON R	RN72K1J-680JE	1	435036804R1	NSP
R8046	C-CARBON R	RN72K1J-220JE	1	435032204R1	NSP
R8047	C-CARBON R	RN72K1J-471JE	1	435034714R1	NSP
R8048	C-CARBON R	RN72K1J-680JE	1	435036804R1	NSP
R8049	C-CARBON R	RN72K1J-220JE	1	435032204R1	NSP
R8050	C-CARBON R	RN72K1J-471JE	1	435034714R1	NSP
R8051	C-CARBON R	RN72K1J-680JE	1	435036804R1	NSP
R8052	C-CARBON R	RN72K1J-220JE	1	435032204R1	NSP
R8053	C-CARBON R	RN72K1J-471JE	1	435034714R1	NSP
R8054	C-CARBON R	RN72K1J-680JE	1	435036804R1	NSP
R8055	C-CARBON R	RN72K1J-750JE	1	435037504R1	NSP
R8056	C-CARBON R	RN72K1J-750JE	1	435037504R1	NSP
R8057	C-CARBON R	RN72K1J-750JE	1	435037504R1	NSP
R8060	C-CARBON R	RN72K1J-103JE	1	435031034R1	NSP
R8061	C-CARBON R	RN72K1J-103JE	1	435031034R1	NSP
R8062	C-CARBON R	RN72K1J-103JE	1	435031034R1	NSP
R8063	C-CARBON R	RN72K1J-103JE	1	435031034R1	NSP
R8065	C-CARBON R	RN72K1J-330JE	1	435033304R1	NSP
R8066	C-CARBON R	RN72K1J-330JE	1	435033304R1	NSP
R8075	C-CARBON R	RN72K1J-750JE	1	435037504R1	NSP
R8076	C-CARBON R	RN72K1J-750JE	1	435037504R1	NSP
R8077	C-CARBON R	RN72K1J-750JE	1	435037504R1	NSP
R8078	C-CARBON R	RN72K1J-750JE	1	435037504R1	NSP
R8160	C-CARBON R	RN72K1J-472JE	1	435034724R1	NSP
R8161	C-CARBON R	RN72K1J-104JE	1	435031044R1	NSP
R8162	C-CARBON R	RN72K1J-104JE	1	435031044R1	NSP
R8163	C-CARBON R	RN72K1J-104JE	1	435031044R1	NSP
R8164	C-CARBON R	RN72K1J-104JE	1	435031044R1	NSP
R8165	C-CARBON R	RN72K1J-104JE	1	435031044R1	NSP

R8166	C-CARBON R	RN72K1J-000JE	1	435030004R1	NSP
R8204	C-CARBON R	RN72K1J-000JE	1	435030004R1	NSP
R8205	C-CARBON R	RN72K1J-000JE	1	435030004R1	NSP
R8206	C-CARBON R	RN72K1J-103JE	1	435031034R1	NSP
R8207	C-CARBON R	RN72K1J-271JE	1	435032714R1	NSP
R8208	C-CARBON R	RN72K1J-103JE	1	435031034R1	NSP
R8210	C-CARBON R	RN72K1J-560JE	1	435035604R1	NSP
R8211	C-R NET	RM7LJ220X04	1	43484722004R2	NSP
R8212	C-CARBON R	RN72K1J-103JE	1	435031034R1	NSP
R8213	C-CARBON R	RN72K1J-103JE	1	435031034R1	NSP
R8214	C-CARBON R	RN72K1J-103JE	1	435031034R1	NSP
R8215	C-CARBON R	RN72K1J-103JE	1	435031034R1	NSP
R8216	C-CARBON R	RN72K1J-103JE	1	435031034R1	NSP
R8217	C-CARBON R	RN72K1J-103JE	1	435031034R1	NSP
R8218	C-CARBON R	RN72K1J-101JE	1	435031014R1	NSP
R8219	C-CARBON R	RN72K1J-101JE	1	435031014R1	NSP
R8220	C-CARBON R	RN72K1J-101JE	1	435031014R1	NSP
R8221	C-CARBON R	RN72K1J-101JE	1	435031014R1	NSP
R8222	C-CARBON R	RN72K1J-272JE	1	435032724R1	NSP
R8223	C-CARBON R	RN72K1J-272JE	1	435032724R1	NSP
R8224	C-CARBON R	RN72K1J-103JE	1	435031034R1	NSP
R8225	C-R NET	RM7LJ220X04	1	43484722004R2	NSP
R8226	C-R NET	RM7LJ220X04	1	43484722004R2	NSP
R8228	C-CARBON R	RN72K1J-103JE	1	435031034R1	NSP
R8229	C-CARBON R	RN72K1J-103JE	1	435031034R1	NSP
R8230	C-CARBON R	RN72K1J-103JE	1	435031034R1	NSP
R8231	C-CARBON R	RN72K1J-103JE	1	435031034R1	NSP
R8232	C-CARBON R	RN72K1J-103JE	1	435031034R1	NSP
R8233	C-CARBON R	RN72K1J-102JE	1	435031024R1	NSP
R8234	C-CARBON R	RN72K1J-103JE	1	435031034R1	NSP
R8236	C-CARBON R	RN72K1J-103JE	1	435031034R1	NSP
R8251	C-CARBON R	RN72K1J-221JE	1	435032214R1	NSP
R8252	C-CARBON R	RN72K1J-222JE	1	435032224R1	NSP
R8253	C-CARBON R	RN72K1J-221JE	1	435032214R1	NSP
R8254	C-CARBON R	RN72K1J-222JE	1	435032224R1	NSP
R8255	C-R NET	RM7LJ220X04	1	43484722004R2	NSP
R8256	C-R NET	RM7LJ220X04	1	43484722004R2	NSP
R8257	C-R NET	RM7LJ220X04	1	43484722004R2	NSP
R8258	C-R NET	RM7LJ220X04	1	43484722004R2	NSP
R8259	C-R NET	RM7LJ220X04	1	43484722004R2	NSP
R8260	C-R NET	RM7LJ220X04	1	43484722004R2	NSP
R8261	C-R NET	RM7LJ220X04	1	43484722004R2	NSP
R8262	C-R NET	RM7LJ220X04	1	43484722004R2	NSP
R8263	C-R NET	RM7LJ220X04	1	43484722004R2	NSP

R8264	C-R NET	RM7LJ220X04	1	43484722004R2	NSP
R8265	C-R NET	RM7LJ220X04	1	43484722004R2	NSP
R8266	C-R NET	RM7LJ220X04	1	43484722004R2	NSP
R8267	C-R NET	RM7LJ220X04	1	43484722004R2	NSP
R8268	C-R NET	RM7LJ220X04	1	43484722004R2	NSP
R8269	C-R NET	RM7LJ220X04	1	43484722004R2	NSP
R8270	C-R NET	RM7LJ220X04	1	43484722004R2	NSP
R8271	C-R NET	RM7LJ220X04	1	43484722004R2	NSP
R8272	C-CARBON R	RN72K1J-103JE	1	435031034R1	NSP
R8273	C-CARBON R	RN72K1J-000JE	1	435030004R1	NSP
R8274	C-CARBON R	RN72K1J-272FE	1	435032722R1	NSP
R8275	C-CARBON R	RN72K1J-331FE	1	435033312R1	NSP
R8276	C-CARBON R	RN72K1J-220JE	1	435032204R1	NSP
R8277	C-CARBON R	RN72K1J-220JE	1	435032204R1	NSP
R8330	C-CARBON R	RN72K1J-000JE	1	435030004R1	NSP
R8331	C-CARBON R	RN72K1J-000JE	1	435030004R1	NSP
R8333	C-CARBON R	RN72K1J-103JE	1	435031034R1	NSP
R8334	C-CARBON R	RN72K1J-182JE	1	435031824R1	NSP
R8335	C-CARBON R	RN72K1J-182JE	1	435031824R1	NSP
R8336	C-CARBON R	RN72K1J-472JE	1	435034724R1	NSP
R8337	C-CARBON R	RN72K1J-104JE	1	435031044R1	NSP
R8338	C-CARBON R	RN72K1J-473JE	1	435034734R1	NSP
R8339	C-CARBON R	RN72K2E-470JE	1	435224704R1	NSP
R8401	C-CARBON R	RN72K1J-220JE	1	435032204R1	NSP
R8402	C-R NET	RM7LJ220X04	1	43484722004R2	NSP
R8403	C-CARBON R	RN72K1J-220JE	1	435032204R1	NSP
R8404	C-CARBON R	RN72K1J-220JE	1	435032204R1	NSP
R8405	C-CARBON R	RN72K1J-220JE	1	435032204R1	NSP
R8408	C-CARBON R	RN72K1J-220JE	1	435032204R1	NSP
R8409	C-CARBON R	RN72K1J-101JE	1	435031014R1	NSP
R8410	C-CARBON R	RN72K1J-000JE	1	435030004R1	NSP
R8411	C-CARBON R	RN72K1J-472JE	1	435034724R1	NSP
R8412	C-CARBON R	RN72K1J-562JE	1	435035624R1	NSP
R8413	C-CARBON R	RN72K1J-000JE	1	435030004R1	NSP
R8416	C-R NET	RM7LJ220X04	1	43484722004R2	NSP
R8417	C-R NET	RM7LJ220X04	1	43484722004R2	NSP
R8418	C-R NET	RM7LJ220X04	1	43484722004R2	NSP
R8419	C-R NET	RM7LJ220X04	1	43484722004R2	NSP
R8420	C-R NET	RM7LJ220X04	1	43484722004R2	NSP
R8421	C-R NET	RM7LJ220X04	1	43484722004R2	NSP
R8422	C-R NET	RM7LJ220X04	1	43484722004R2	NSP
R8423	C-R NET	RM7LJ220X04	1	43484722004R2	NSP
R8424	C-R NET	RM7LJ220X04	1	43484722004R2	NSP
R8425	C-CARBON R	RN72K1J-220JE	1	435032204R1	NSP

R8426	C-R NET	RM7LJ220X04	1	43484722004R2	NSP
R8427	C-CARBON R	RN72K1J-100JE	1	435031004R1	NSP
R8428	C-CARBON R	RN72K1J-100JE	1	435031004R1	NSP
R8429	C-CARBON R	RN72K1J-101JE	1	435031014R1	NSP
R8430	C-CARBON R	RN72K1J-101JE	1	435031014R1	NSP
R8431	C-CARBON R	RN72K1J-101JE	1	435031014R1	NSP
R8432	C-CARBON R	RN72K1J-101JE	1	435031014R1	NSP
R8433	C-CARBON R	RN72K1J-100JE	1	435031004R1	NSP
R8434	C-CARBON R	RN72K1J-103JE	1	435031034R1	NSP
R8435	C-CARBON R	RN72K1J-823JE	1	435038234R1	NSP
R8436	C-CARBON R	RN72K1J-330JE	1	435033304R1	NSP
R8442	C-CARBON R	RN72K1J-000JE	1	435030004R1	NSP
R8501	C-CARBON R	RN72K1J-330JE	1	435033304R1	NSP
R8502	C-CARBON R	RN72K1J-330JE	1	435033304R1	NSP
R8503	C-CARBON R	RN72K1J-330JE	1	435033304R1	NSP
R8504	C-R NET	RM7LJ330X04	1	43484733004R2	NSP
R8505	C-R NET	RM7LJ330X04	1	43484733004R2	NSP
R8506	C-CARBON R	RN72K1J-120JE	1	435031204R1	NSP
R8507	C-R NET	RM7LJ330X04	1	43484733004R2	NSP
R8508	C-R NET	RM7LJ330X04	1	43484733004R2	NSP
R8509	C-R NET	RM7LJ330X04	1	43484733004R2	NSP
R8510	C-R NET	RM7LJ330X04	1	43484733004R2	NSP
R8511	C-R NET	RM7LJ330X04	1	43484733004R2	NSP
R8512	C-R NET	RM7LJ330X04	1	43484733004R2	NSP
R8513	C-R NET	RM7LJ330X04	1	43484733004R2	NSP
R8516	C-CARBON R	RN72K1J-101JE	1	435031014R1	NSP
R8517	C-CARBON R	RN72K1J-101JE	1	435031014R1	NSP
R8518	C-CARBON R	RN72K1J-472JE	1	435034724R1	NSP
R8519	C-CARBON R	RN72K1J-151JE	1	435031514R1	NSP
R8520	C-CARBON R	RN72K1J-330JE	1	435033304R1	NSP
R8521	C-CARBON R	RN72K1J-330JE	1	435033304R1	NSP
R8522	C-R NET	RM7LJ330X04	1	43484733004R2	NSP
R8523	C-CARBON R	RN72K1J-330JE	1	435033304R1	NSP
R8524	C-CARBON R	RN72K1J-330JE	1	435033304R1	NSP
R8525	C-CARBON R	RN72K1J-472JE	1	435034724R1	NSP
R8526	C-CARBON R	RN72K1J-472JE	1	435034724R1	NSP
R8527	C-CARBON R	RN72K1J-562JE	1	435035624R1	NSP
R8528	C-CARBON R	RN72K1J-562JE	1	435035624R1	NSP
R8530	C-CARBON R	RN72K1J-105JE	1	435031054R1	NSP
R8531	C-CARBON R	RN72K1J-000JE	1	435030004R1	NSP
R8532	C-CARBON R	RN72K1J-000JE	1	435030004R1	NSP
R8533	C-CARBON R	RN72K1J-000JE	1	435030004R1	NSP
R8534	C-CARBON R	RN72K1J-330JE	1	435033304R1	NSP
R8595	C-CARBON R	RN72K1J-101JE	1	435031014R1	NSP

R8607	C-CARBON R	RN72K1J-473JE	1	435034734R1	NSP
R8608	C-CARBON R	RN72K1J-473JE	1	435034734R1	NSP
R8609	C-CARBON R	RN72K1J-000JE	1	435030004R1	NSP
R8610	C-CARBON R	RN72K1J-000JE	1	435030004R1	NSP
R8617	C-CARBON R	RN72K1J-473JE	1	435034734R1	NSP
R8618	C-CARBON R	RN72K1J-473JE	1	435034734R1	NSP
R8619	C-CARBON R	RN72K1J-000JE	1	435030004R1	NSP
R8620	C-CARBON R	RN72K1J-000JE	1	435030004R1	NSP
R8627	C-CARBON R	RN72K1J-473JE	1	435034734R1	NSP
R8628	C-CARBON R	RN72K1J-473JE	1	435034734R1	NSP
R8629	C-CARBON R	RN72K1J-000JE	1	435030004R1	NSP
R8630	C-CARBON R	RN72K1J-000JE	1	435030004R1	NSP
R8637	C-CARBON R	RN72K1J-473JE	1	435034734R1	NSP
R8638	C-CARBON R	RN72K1J-473JE	1	435034734R1	NSP
R8639	C-CARBON R	RN72K1J-000JE	1	435030004R1	NSP
R8640	C-CARBON R	RN72K1J-000JE	1	435030004R1	NSP
R8647	C-CARBON R	RN72K1J-473JE	1	435034734R1	NSP
R8648	C-CARBON R	RN72K1J-473JE	1	435034734R1	NSP
R8649	C-CARBON R	RN72K1J-000JE	1	435030004R1	NSP
R8650	C-CARBON R	RN72K1J-000JE	1	435030004R1	NSP
R8667	C-CARBON R	RN72K1J-473JE	1	435034734R1	NSP
R8668	C-CARBON R	RN72K1J-473JE	1	435034734R1	NSP
R8669	C-CARBON R	RN72K1J-000JE	1	435030004R1	NSP
R8670	C-CARBON R	RN72K1J-000JE	1	435030004R1	NSP
R8672	C-CARBON R	RN72K1J-103JE	1	435031034R1	NSP
R8673	C-CARBON R	RN72K1J-472JE	1	435034724R1	NSP
R8674	C-CARBON R	RN72K1J-103JE	1	435031034R1	NSP
R8675	C-CARBON R	RN72K1J-103JE	1	435031034R1	NSP
R8676	C-CARBON R	RN72K1J-103JE	1	435031034R1	NSP
R8677	C-CARBON R	RN72K1J-472JE	1	435034724R1	NSP
R8678	C-CARBON R	RN72K1J-472JE	1	435034724R1	NSP
R8701	C-CARBON R	RN72K1J-103JE	1	435031034R1	NSP
R8702	C-CARBON R	RN72K1J-103JE	1	435031034R1	NSP
R8703	C-CARBON R	RN72K1J-103JE	1	435031034R1	NSP
R8704	C-CARBON R	RN72K1J-103JE	1	435031034R1	NSP
R8705	C-CARBON R	RN72K1J-220JE	1	435032204R1	NSP
R8706	C-CARBON R	RN72K1J-220JE	1	435032204R1	NSP
R8707	C-CARBON R	RN72K1J-220JE	1	435032204R1	NSP
R8708	C-CARBON R	RN72K1J-103JE	1	435031034R1	NSP
R8709	C-CARBON R	RN72K1J-103JE	1	435031034R1	NSP
R8710	C-CARBON R	RN72K1J-103JE	1	435031034R1	NSP
R8711	C-CARBON R	RN72K1J-222JE	1	435032224R1	NSP
R8712	C-R NET	RM7LJ222X04	1	43484722204R2	NSP
R8713	C-R NET	RM7LJ222X04	1	43484722204R2	NSP

R8714	C-R NET	RM7LJ222X04	1	43484722204R2	NSP
R8715	C-R NET	RM7LJ103X04	1	43484710304R2	NSP
R8716	C-CARBON R	RN72K1J-103JE	1	435031034R1	NSP
R8717	C-CARBON R	RN72K1J-103JE	1	435031034R1	NSP
R8718	C-CARBON R	RN72K1J-220JE	1	435032204R1	NSP
R8719	C-CARBON R	RN72K1J-103JE	1	435031034R1	NSP
R8720	C-CARBON R	RN72K1J-220JE	1	435032204R1	NSP
R8721	C-CARBON R	RN72K1J-220JE	1	435032204R1	NSP
R8722	C-CARBON R	RN72K1J-103JE	1	435031034R1	NSP
R8723	C-CARBON R	RN72K1J-103JE	1	435031034R1	NSP
R8724	C-R NET	RM7LJ103X04	1	43484710304R2	NSP
R8725	C-CARBON R	RN72K1J-103JE	1	435031034R1	NSP
R8726	C-CARBON R	RN72K1J-103JE	1	435031034R1	NSP
R8727	C-CARBON R	RN72K1J-103JE	1	435031034R1	NSP
R8728	C-CARBON R	RN72K1J-103JE	1	435031034R1	NSP
R8729	C-CARBON R	RN72K1J-103JE	1	435031034R1	NSP
R8730	C-CARBON R	RN72K1J-222JE	1	435032224R1	NSP
R8731	C-CARBON R	RN72K1J-222JE	1	435032224R1	NSP
R8732	C-R NET	RM7LJ103X04	1	43484710304R2	NSP
R8733	C-CARBON R	RN72K1J-103JE	1	435031034R1	NSP
R8734	C-CARBON R	RN72K1J-103JE	1	435031034R1	NSP
R8735	C-CARBON R	RN72K1J-103JE	1	435031034R1	NSP
R8736	C-CARBON R	RN72K1J-103JE	1	435031034R1	NSP
R8738	C-CARBON R	RN72K1J-103JE	1	435031034R1	NSP
R8739	C-CARBON R	RN72K1J-103JE	1	435031034R1	NSP
R8740	C-CARBON R	RN72K1J-103JE	1	435031034R1	NSP
R8741	C-CARBON R	RN72K1J-103JE	1	435031034R1	NSP
R8742	C-CARBON R	RN72K1J-000JE	1	435030004R1	NSP
R8743	C-CARBON R	RN72K1J-103JE	1	435031034R1	NSP
R8744	C-CARBON R	RN72K1J-103JE	1	435031034R1	NSP
R8745	C-CARBON R	RN72K1J-103JE	1	435031034R1	NSP
R8746	C-CARBON R	RN72K1J-103JE	1	435031034R1	NSP
R8747	C-CARBON R	RN72K1J-103JE	1	435031034R1	NSP
R8749	C-CARBON R	RN72K1J-220JE	1	435032204R1	NSP
R8750	C-CARBON R	RN72K1J-000JE	1	435030004R1	NSP
R8751	C-CARBON R	RN72K1J-000JE	1	435030004R1	NSP
R8752	C-CARBON R	RN72K1J-000JE	1	435030004R1	NSP
R8753	C-CARBON R	RN72K1J-103JE	1	435031034R1	NSP
R8754	C-CARBON R	RN72K1J-103JE	1	435031034R1	NSP
R8755	C-CARBON R	RN72K1J-101JE	1	435031014R1	NSP
R8756	C-CARBON R	RN72K1J-101JE	1	435031014R1	NSP
R8757	C-CARBON R	RN72K1J-103JE	1	435031034R1	NSP
R8758	C-CARBON R	RN72K1J-103JE	1	435031034R1	NSP
R8802	C-CARBON R	RN72K1J-100JE	1	435031004R1	NSP

R8803	C-CARBON R	RN72K1J-000JE	1	435030004R1	NSP
R8804	C-CARBON R	RN72K1J-103JE	1	435031034R1	NSP
R8805	C-CARBON R	RN72K1J-000JE	1	435030004R1	NSP
R8806	C-R NET	RM7LJ220X04	1	43484722004R2	NSP
R8807	C-R NET	RM7LJ220X04	1	43484722004R2	NSP
R8808	C-R NET	RM7LJ220X04	1	43484722004R2	NSP
R8809	C-R NET	RM7LJ220X04	1	43484722004R2	NSP
R8810	C-R NET	RM7LJ220X04	1	43484722004R2	NSP
R8811	C-R NET	RM7LJ220X04	1	43484722004R2	NSP
R8812	C-CARBON R	RN72K1J-000JE	1	435030004R1	NSP
R8813	C-CARBON R	RN72K1J-220JE	1	435032204R1	NSP
R8814	C-CARBON R	RN72K1J-220JE	1	435032204R1	NSP
R8815	C-CARBON R	RN72K1J-220JE	1	435032204R1	NSP
R8816	C-R NET	RM7LJ220X04	1	43484722004R2	NSP
R8817	C-R NET	RM7LJ220X04	1	43484722004R2	NSP
R8818	C-R NET	RM7LJ220X04	1	43484722004R2	NSP
R8819	C-R NET	RM7LJ220X04	1	43484722004R2	NSP
R8820	C-R NET	RM7LJ220X04	1	43484722004R2	NSP
R8821	C-R NET	RM7LJ220X04	1	43484722004R2	NSP
R8822	C-R NET	RM7LJ220X04	1	43484722004R2	NSP
R8823	C-R NET	RM7LJ220X04	1	43484722004R2	NSP
R8901	C-CARBON R	RN72K1J-103JE	1	435031034R1	NSP
R8902	C-CARBON R	RN72K1J-393JE	1	435033934R1	NSP
R8903	C-CARBON R	RN72K1J-103JE	1	435031034R1	NSP
R8904	C-CARBON R	RN72K1J-103JE	1	435031034R1	NSP
R8905	C-CARBON R	RN72K1J-000JE	1	435030004R1	NSP
R8906	C-CARBON R	RN72K1J-272JE	1	435032724R1	NSP
R8907	C-CARBON R	RN72K1J-223JE	1	435032234R1	NSP
R8908	C-CARBON R	RN72K1J-103JE	1	435031034R1	NSP
R8909	C-CARBON R	RN72K1J-334JE	1	435033344R1	NSP
R8910	C-CARBON R	RN72K1J-103JE	1	435031034R1	NSP
R8911	C-CARBON R	RN72K1J-682JE	1	435036824R1	NSP
R8912	C-CARBON R	RN72K1J-104JE	1	435031044R1	NSP
R8913	C-CARBON R	RN72K2E-330JE	1	435223304R1	NSP
R8914	C-CARBON R	RN72K1J-103JE	1	435031034R1	NSP
R8915	C-CARBON R	RN72K1J-102JE	1	435031024R1	NSP
R8916	C-CARBON R	RN72K1J-102JE	1	435031024R1	NSP
R8917	C-CARBON R	RN72K1J-472JE	1	435034724R1	NSP
R8918	C-CARBON R	RN72K1J-683JE	1	435036834R1	NSP
R8919	C-CARBON R	RN72K1J-103JE	1	435031034R1	NSP
R8920	C-CARBON R	RN72K2E-330JE	1	435223304R1	NSP
R8924	C-CARBON R	RN72K1J-103JE	1	435031034R1	NSP
R8951	C-CARBON R	RN72K1J-102JE	1	435031024R1	NSP
R8952	C-CARBON R	RN72K1J-104JE	1	435031044R1	NSP

R8953	C-CARBON R	RN72K1J-562JE	1	435035624R1	NSP
R8954	C-CARBON R	RN72K1J-273FE	1	435032732R1	NSP
R8956	C-CARBON R	RN72K1J-103FE	1	435031032R1	NSP
R8961	C-CARBON R	RN72K1J-102JE	1	435031024R1	NSP
R8962	C-CARBON R	RN72K1J-104JE	1	435031044R1	NSP
R8963	C-CARBON R	RN72K1J-182JE	1	435031824R1	NSP
R8964	C-CARBON R	RN72K1J-392FE	1	435033922R1	NSP
R8965	C-CARBON R	RN72K1J-563FE	1	435035632R1	NSP
R8966	C-CARBON R	RN72K1J-103FE	1	435031032R1	NSP
[SW TRM]					
JL801B	WIRE TRAP	NPLG-5P588	1	25055626	
P2801B	SOCKET	NSCT-9P2139	1	25052242	
P4900B	SOCKET	NSCT-11P2474	1	25052577R2	
P8001B	SOCKET	IMSA-9111S-16L	1	25053258	
P8002B	SOCKET	IMSA-9111S-24L	1	25053259	
P8011	SOCKET	IMSA-9618S-04A	1	25053329R2	
P8302	SOCKET	HDMI(47266-4101)	1	25053389R3	
P8302 or	SOCKET	YKF45-7037V	(1)	25053253R3	
P8601	SOCKET	HDMI(47266-4101)	1	25053389R3	
P8601 or	SOCKET	YKF45-7037V	(1)	25053253R3	
P8611	SOCKET	HDMI(47266-4101)	1	25053389R3	
P8611 or	SOCKET	YKF45-7037V	(1)	25053253R3	
P8621	SOCKET	HDMI(47266-4101)	1	25053389R3	
P8621 or	SOCKET	YKF45-7037V	(1)	25053253R3	
P8631	SOCKET	HDMI(47266-4101)	1	25053389R3	
P8631 or	SOCKET	YKF45-7037V	(1)	25053253R3	
P8641	SOCKET	HDMI(47266-4101)	1	25053389R3	
P8641 or	SOCKET	YKF45-7037V	(1)	25053253R3	
P8651	SOCKET	HDMI(47266-4101)	1	25053389R3	
P8651 or	SOCKET	YKF45-7037V	(1)	25053253R3	
P8661	SOCKET	YKF45-7037V	1	25053253R3	
P8662	SOCKET	HDMI(47266-4101)	1	25053389R3	
P8662 or	SOCKET	YKF45-7037V	(1)	25053253R3	
P8702	SOCKET	NSCT-9P2472	1	25052575R2	

ONKYO CORPORATION

Service Dept. Technical Support : 2-1, Nisshin-cho, Neyagawa-shi, OSAKA 572-8540, JAPAN
Tel: 072-831-8023 Fax: 072-831-8163

ONKYO U.S.A. CORPORATION

18 Park Way, Upper Saddle River, N.J. 07458, U.S.A.
Tel: 800-229-1687, 201-785-2600 Fax: 201-785-2650 <http://www.us.onkyo.com/>

ONKYO EUROPE ELECTRONICS GmbH

Liegnitzerstrasse 6, 82194 Groebenzell, GERMANY
Tel: +49-8142-4401-0 Fax: +49-8142-4401-555 <http://www.eu.onkyo.com/>

ONKYO EUROPE ELECTRONICS GmbH (UK BRANCH)

The Coach House 81A High Street, Marlow, Buckinghamshire, SL7 1AB, UK
Tel: +44-(0)1628-473-350 Fax: +44-(0)1628-401-700

ONKYO CHINA LIMITED

Unit 1&12, 9/F, Ever Gain Plaza Tower 1, 88, Container Port Road, Kwai Chung,
N.T., Hong Kong. Tel: 852-2429-3118 Fax: 852-2428-9039
<http://www.ch.onkyo.com/>

