

ONKYO® SERVICE MANUAL

QUARTZ SYNTHESIZED TUNER AMPLIFIER MODEL TX-SV424 MODEL TX-8410 MODEL TX-8410R

Black model

BMD, BMDN	120V AC, 60Hz
BMP	230V AC, 50Hz
BMW	120V or 220V AC, 50/60Hz

SAFETY-RELATED COMPONENT WARNING!!
COMPONENTS IDENTIFIED BY MARK Δ ON THE SCHEMATIC DIAGRAM AND IN THE PARTS LIST ARE CRITICAL FOR RISK OF FIRE AND ELECTRIC SHOCK. REPLACE THESE COMPONENTS WITH ONKYO PARTS WHOSE PART NUMBERS APPEAR AS SHOWN IN THIS MANUAL.

MAKE LEAKAGE-CURRENT OR RESISTANCE MEASUREMENTS TO DETERMINE THAT EXPOSED PARTS ARE ACCEPTABLY INSULATED FROM THE SUPPLY CIRCUIT BEFORE RETURNING THE APPLIANCE TO THE CUSTOMER.

TABLE OF CONTENTS

Specifications.....	2
Service procedures.....	3
Exploded view (TX-SV424).....	4
Parts list (TX-SV424).....	5
Exploded view (TX-8410/8410R).....	6
Parts list (TX-8410/8410R).....	7
Block diagram (Tuner section).....	8
TX-SV424.....	8
TX-8410/8410R.....	9
Block diagram (Tuner section).....	10
TX-SV424.....	10
TX-8410/8410R.....	11
Microprocessor connection diagram.....	12
Microprocessor descriptions.....	13
IC block diagrams and descriptions.....	14
Adjustment procedures.....	20
Printed circuit board view.....	23
Printed circuit board-parts list.....	29
TX-SV424.....	29
TX-8410/8410R.....	33
Packing view.....	36



SPECIFICATIONS

TX-SV424

AMPLIFIER SECTION

Power Output
Stereo mode
 Front L/R channels: 60 watts per channel, min. RMS at 8 ohms, both channels driven from 20 Hz to 20 kHz with no more than 0.08% total harmonic distortion.
 Continuous Power output: 2 × 65 watts at 8 ohms, 1 kHz (DIN)
Surround mode
 Front L/R and Center channels: 50 watts per channel, min. RMS at 8 ohms, with no more than 0.08% total harmonic distortion at 1 kHz
 Rear channels (Rear only driven): 15 watts per channel, min. RMS at 8 ohms, with no more than 0.3% total harmonic distortion at 1 kHz

Total Harmonic Distortion: 0.08% at rated power (Front)
IM Distortion: 0.08% at rated power (Front)
Damping Factor: 60 at 8 ohms (Front)

Sensitivity and Impedance
Phono: 2.5 mV/50 kohms
CD/Tape Play: 150 mV/50 kohms
Tape Rec: 150 mV/2.2 kohms
Mono out (Subwoofer): 1 V/2.2 kohms

Phono Overload: 120 mV RMS at 1 kHz, 0.5% T.H.D.
Frequency Response: 20 Hz to 30 kHz, ±1 dB
RIAA Deviation: 20 Hz to 20 kHz, ±0.8 dB

Tone Control
Bass: ±10 dB at 100 Hz
Treble: ±10 dB at 10 kHz

Signal-to-Noise Ratio
Phono: 80 dB (IHF A, 5 mV input)
CD/Tape: 100 dB (IHF A)

VIDEO SECTION

Signal sensitivity and impedance: 1 Vp-p, 75 ohms (VDP/VCR input, output)

TUNER SECTION

FM

Tuning Range: 87.5 — 108.0 MHz
Usable Sensitivity
Mono: 11.2 dBf, 1.0 μV (75 ohms)
Stereo: 17.2 dBf, 2.0 μV (75 ohms)
50dB Quieting Sensitivity
Mono: 18.2 dBf, 2.2 μV (75 ohms)
Stereo: 38.2 dBf, 22 μV (75 ohms)
Capture Ratio: 1.5 dB
Image Rejection Ratio
U.S.A. & Canadian models: 40 dB
Other area models: 85 dB

IF Rejection Ratio: 90 dB
Signal-to-Noise Ratio
Mono: 73 dB
Stereo: 67 dB
Alternate Channel Attenuation: 55 dB
Selectivity: 50 dB (DIN)
AM Suppression Ratio: 50 dB
Total Harmonic Distortion
Mono: 0.15%
Stereo: 0.25%
Frequency Response: 30 Hz — 15 kHz, ±1.5 dB
Stereo Separation: 45 dB at 1 kHz
 30 dB at 100 Hz — 10 kHz

AM

Tuning Range
U.S.A. & Canadian models: 530—1,710 kHz (10 kHz steps)
European & Australian models: 522—1,611 kHz (9 kHz steps)
Worldwide models: 531—1,602 kHz (9 kHz steps), 530—1,710 kHz (10 kHz steps)

Usable Sensitivity: 30 μV
Image Rejection Ratio: 40 dB
IF Rejection Ratio: 40 dB
Signal-to-Noise Ratio: 40 dB
Total Harmonic Distortion: 0.7%

GENERAL

Power Supply
U.S.A. & Canadian models: AC 120 V, 60 Hz
European & Australian models: AC 230 V, 50 Hz
Worldwide models: AC 220 V and 120 V switchable, 50/60 Hz

Power Consumption
U.S.A. & Canadian models: 2.8 A (325 W)
Other area models: 240 W

Dimensions (W × H × D): 455 × 150 × 322 mm
 17-15/16" × 5-7/8" × 12-11/16"

Weight: 9.6 kg, 21.2 lbs.


REMOTE CONTROL RC-295S


Transmitter: Infrared
Signal range: Approx. 5 meters, 16 ft.
Power supply: Two "AA" batteries (1.5 V × 2)
Dimensions (W × H × D): 65 × 18 × 194 mm
 2-9/16" × 11/16" × 7-5/8"
Weight: 110 grams, 3.9 oz. (including batteries)

Specifications and features are subject to change without notice.

SERVICE PROCEDURES

1. Replacing the fuses

 This symbol located near the fuse indicates that the fuse used is fast operating type. For continued protection against fire hazard, replace with same type fuse. For fuse rating refer to the marking adjacent to the symbol.

 Ce symbole indique que le fusible utilise est a rapide. Pour une protection permanente, n'utiliser que des fusibles de meme type. Ce dernier est indique la qu le present symbol est appose.

CIRCUIT NO.	PART NO.	DESCRIPTION
F901	252164Y	5A-UL/T-237,Primary <D/W>
F902	252076	3.15A-TSC,Primary <P/W>
F903	252075	2.5A-SE-EAK,Primary <P>
F921,F922	252156Y	1A-UL/T-237,Secondar <D>
	252070	1A-SE-EAK,Secondar <P/W>
		NOTE : <D> : 120V model only
		<P> : 230V model only

2. To Initialize the unit

This device employs a microprocessor to perform various functions and operations. If interference generated by an external power supply, radio wave, or other electrical source results in accident which causes the specified operations and functions to operate abnormally.

To perform a result, please follow the procedure below.

1. Press and hold down the CD button, then press the POWER button.
2. Take the power supply cord from the socket while "TEST-" is displayed.
3. After "clear" is displayed, the preset memory and each mode stored in the memory, such as surround, are initialized and will return to the factory settings.

3. Safety-check out

(Only U.S.A. model)

After correcting the original service problem, perform the following safety check before releasing the set to the customer. Connect the insulating-resistance tester between the plug of power supply cord and the screw on the back panel.

Specifications: 3.3 Mohm±10% at 500V.

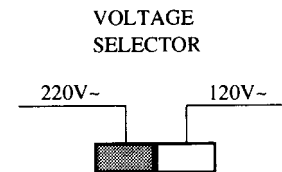
4. Change of voltage

Worldwide models are equipment with a voltage selector to conform with local power supplies. This switch is located on the back panel.

Be sure to set this switch to match the voltage of the power supply in your area before turning the power switch on.

This switch is set to 220V at the factory. Voltage is changed by 3

sliding the groove in the switch with the screwdriver to the right or left. Confirm that the switch has been moved all the way to the right or left before turning the power switch on.



5. Memory preservation

This unit does not require memory preservation batteries.

A built-in memory power back-up system preserves contents of the memory during power failures and even when the unit is unplugged.

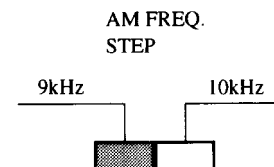
The unit must be plugged in and the power switch turned on and off once in order to charge the back-up system. Note that since this is not a permanent memory, the power switch must be turned on and off a few times each month the keep the back-up system operative.

The period of the time during which memory contents are preserved after power has last been turned off varies depending on climate and placement of the unit. On the average, memory contents are protected over a period of 3 to 4 weeks (a minimum of 2 weeks) after the last time power has been turned off. This period is shorted when the unit is exposed to very high humidity or used in an area with an extremely humid climate.

6. Setting the tuning step frequency

Worldwide models are equipped with a step band selector switch. This switch is located on the back panel. This switch is set to 9 kHz at the factory, but may have to be reset to 10 kHz depending on the area where the unit is used.

	AM band step
Europe:	9 kHz
U.S.A.:	10 kHz

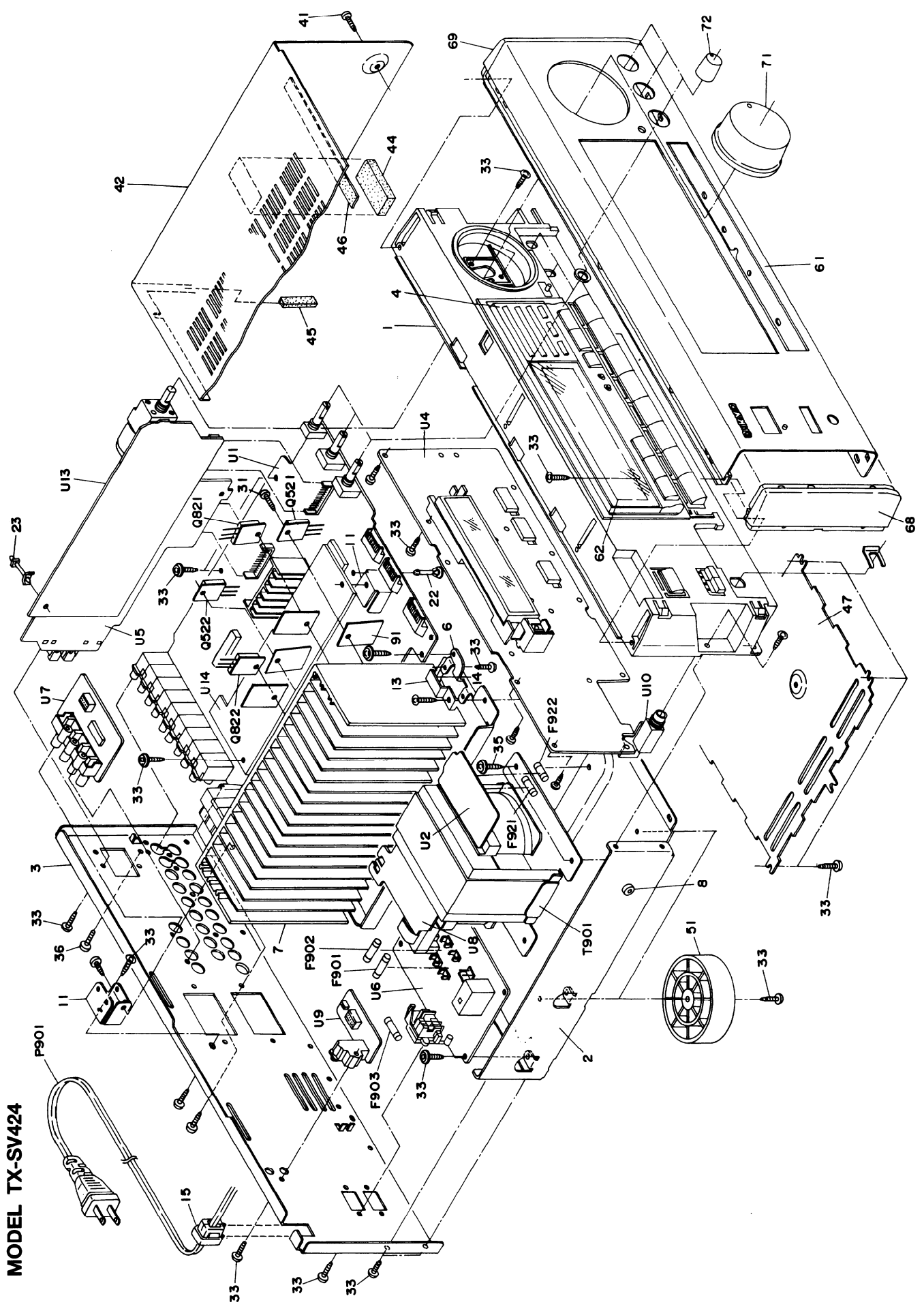


7. Changing the band step

With the exception of the worldwide models, a tuning step selector switch is not provided. When you change the band step, change the parts as shown below.

	To 10kHz	To 9kHz
R727	Remove	22kohm
R724	3kohm	Remove

EXPLODED VIEW
MODEL TX-SV424

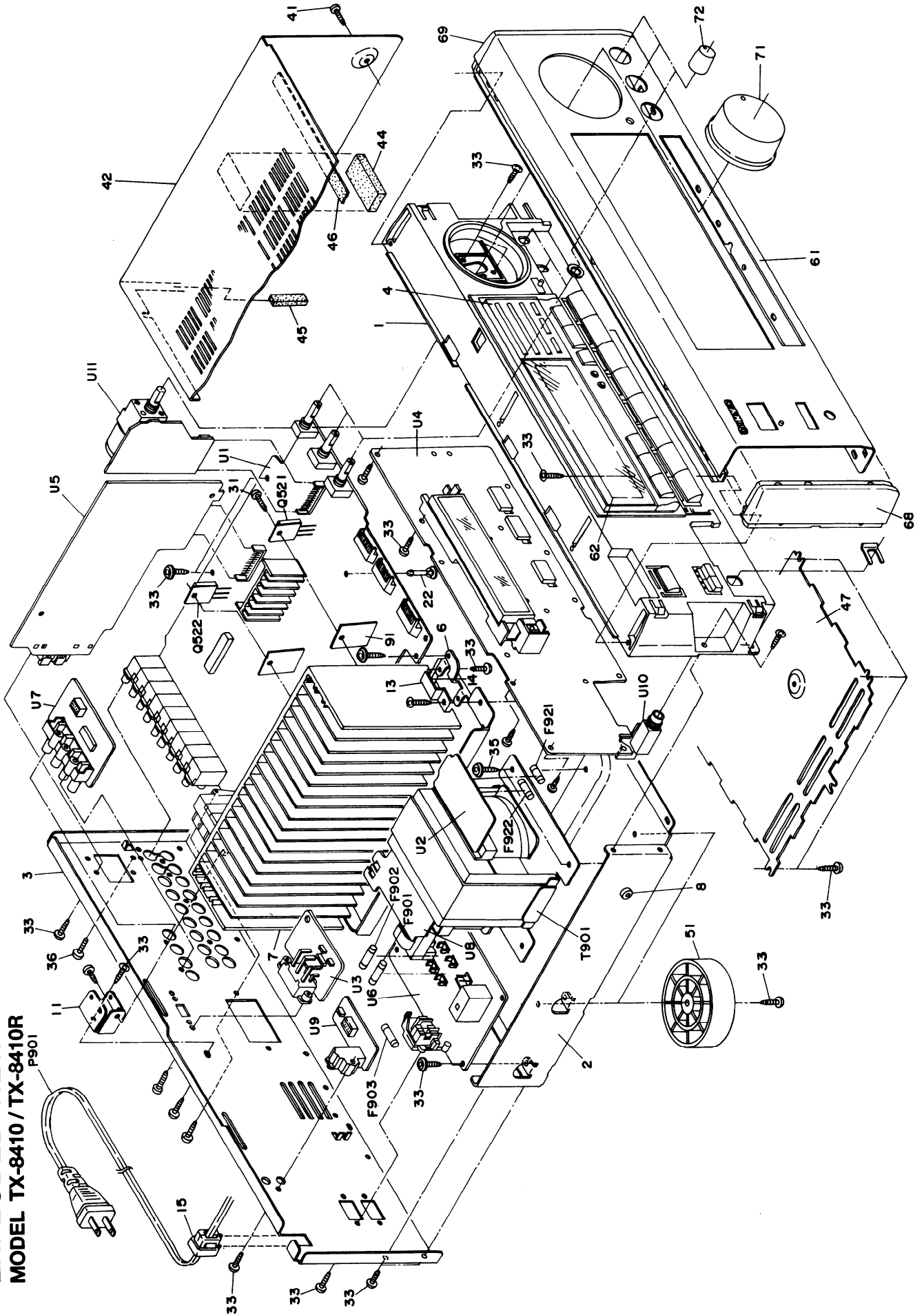


PARTS LIST

REF. NO.	PART NO.	DESCRIPTION	REF. NO.	PART NO.	DESCRIPTION	REF. NO.	PART NO.	DESCRIPTION
1	27110860AY	Front bracket	F901	252164Y	△ 5A-UL/T-237, Primary fuse <D/W>	U5	1A597500-1Y	NARF-5400-1, Tuner circuit
2	27100278CY	Chassis	F902	252076	△ 3.15A-SE-EAK, Primary fuse <P/W>			pc board ass'y <D>
3	27122085Y	Rear panel <D>	F903	252075	△ 2.5A-SE-EAK, Primary fuse <P>		1A597500-1AY	NARF-5400-1A, Tuner circuit
	27122106AY	Rear panel <C>	F921,F922	252156Y	△ 1A-UL/T-237, Secondary fuse <D>		1A597500-1BY	pc board ass'y <P>
	27122086AY	Rear panel <P>	P901	252070	△ 1A-SE-EAK, Secondary fuse <P/W>			NARF-5400-1B, Tuner circuit
	27122087Y	Rear panel <W>		253192HIT	△ AS-UC-6#18, Power supply cord <D>	U6	1A597501-1Y	pc board ass'y <W>
	27122123Y	Rear panel <A>		253193HIT	△ AS-CEE, Power supply cord <P>			NAPS-5401-1, Power supply circuit
	27122122Y	Rear panel <T>		253092-1A	△ AS-CEE-2, Power supply cord <W>	U6	1A597501-1AY	pc board ass'y <D>
4	27215258Y	Decorative frame		253197HIT	△ AS-SAA, Power supply cord <A>			NAPS-5401-1A, Power supply circuit
6	27130727Y	Bracket H		253198HIT	△ AS-BS, Power supply cord 	U6	1A597501-1BY	pc board ass'y <P>
7	27160330AY	Radiator	P904,P905	25050904	△ NSCT-2P697,AC outlet <A>			NAPS-5401-1B, Power supply circuit
8	27270212	Spacer <P/W>	Q521,Q522	2203063,	* 2SC5198-O,	U7	1A597502-1Y	pc board ass'y <W>
11	27141623Y	Retainer H		2202523 or	* 2SC4468-O or			NAETC-5402-1, Video circuit pc
12	27141530A	Retainer	Q523,Q524	2202293	* 2SC3182N-O, Power amplifier transistor	U8	1A597503-1Y	board ass'y
13	27141654Y	Retainer		2203053,	* 2SA1941-O,			NAETC-5403-1, Primary circuit
14	28141311Y	Cushion		2202513 or	* 2SA1695-O or			pc board ass'y <P>
15	27300750	△ Cord bushing	Q821,Q822	2202283	* 2SA1265N-O, Power amplifier transistor	U9	1A597504-1Y	NAETC-5404-1,RI terminal pc
22	27190524	KGLS-14RF, Holder		2203043,	* 2SC5197-O,			board ass'y <D/P>
23	27190062	KGLS-12S, Holder		2202253 or	* 2SC4467-O or		1A597504-1AY	NAETC-5404-1A,RI terminal pc
31	801433	3SMS8W.SW+14B(BC),	Q823,Q824	2202503	* 2SC3181N-O, Power amplifier transistor	U10	1A597505-1Y	board ass'y <W>
		Sens screw		2203033,	* 2SA1940-O,			NAETC-5405-1, Headphone terminal
33	838130088	3TTTB+8B, Self-tapping screw		2202243 or	* 2SA1694-O or		1A597505-1AY	pc board ass'y <D/W>
35	830440089	4TTC+8C(BC), Self-tapping screw	T901	2202493	* 2SA1264N-O, Power amplifier transistor			NAETC-5405-1A, Headphone terminal
36	838230088	3TTTB+8B(Ni), Self-tapping screw		2301097Y	△ NPT-1237D, Power transformer <D>	U13	1A597509-1Y	pc board ass'y <P>
41	838430088	3TTTB+8B(BC), Self-tapping screw		2301130Y	△ NPT-1249D, Power transformer <C>			NAAF-5409-1, Surround circuit
42	28184476BY	Top cover		2301098Y	△ NPT-1237P, Power transformer <P>	U14	1A597510-1Y	pc board ass'y
44	28140265	8×40×20,Cushion		2301099Y	△ NPT-1237DG, Power transformer <W>			NAAF-5410-1, Center and rear amplifier
45	28141306Y	6×5×30,Cushion	U1	1A597596-1Y	NAAR-5396-1, Main circuit			circuit pc board ass'y <D>
46	28140680	0.5×10×180,Cushion			pc board ass'y <D>		1A597510-1AY	NAAF-5410-1A, Center and rear amplifier
47	27170302AY	Bottom board		1A597596-1AY	NAAR-5396-1A, Main circuit			circuit pc board ass'y <P/W>
51	27175300Y	Leg	U2	1A597597-1Y	pc board ass'y <P/W>			NOTE: <D>:120V model only
61	1A597121Y	Front panel ass'y		1A597597-1Y	NAETC-5397-1, Power supply circuit			<P>:230V model only
61a	8910301	CS-3, CS ring		1A597597-1AY	pc board ass'y <D>			<W>:Worldwide model only
61b	28198778	Facet	U4	1A597599-1Y	pc board ass'y <P/W>			<A>:Australian model only
61c	28135199	Badge			pc board ass'y <D>			<C>:Canadian model only
62	28191714Y	Clear plate		1A597599-1Y	NADIS-5399-1,Display circuit			<T>:Taiwanese model only
68	28125255-6Y	End cap L			pc board ass'y <D>			:UK model only
69	28125256-6Y	End cap R		1A597599-1AY	NADIS-5399-1A,Display circuit			
71	28325057	Volume knob ass'y		1A597599-1BY	pc board ass'y <C>			
72	28325055Y	Tone knob			NADIS-5399-1B,Display circuit			
91	223021	Isolation sheet			pc board ass'y <P>			
92	260208	Wire tie		1A597599-1CY	NADIS-5399-1C,Display circuit			
					pc board ass'y <W>			

NOTE: THE COMPONENTS IDENTIFIED BY MARK △ ARE CRITICAL FOR RISK OF FIRE AND ELECTRIC SHOCK. REPLACE ONLY WITH PART NUMBER SPECIFIED.

EXPLODED VIEW
MODEL TX-8410 / TX-8410R
P901



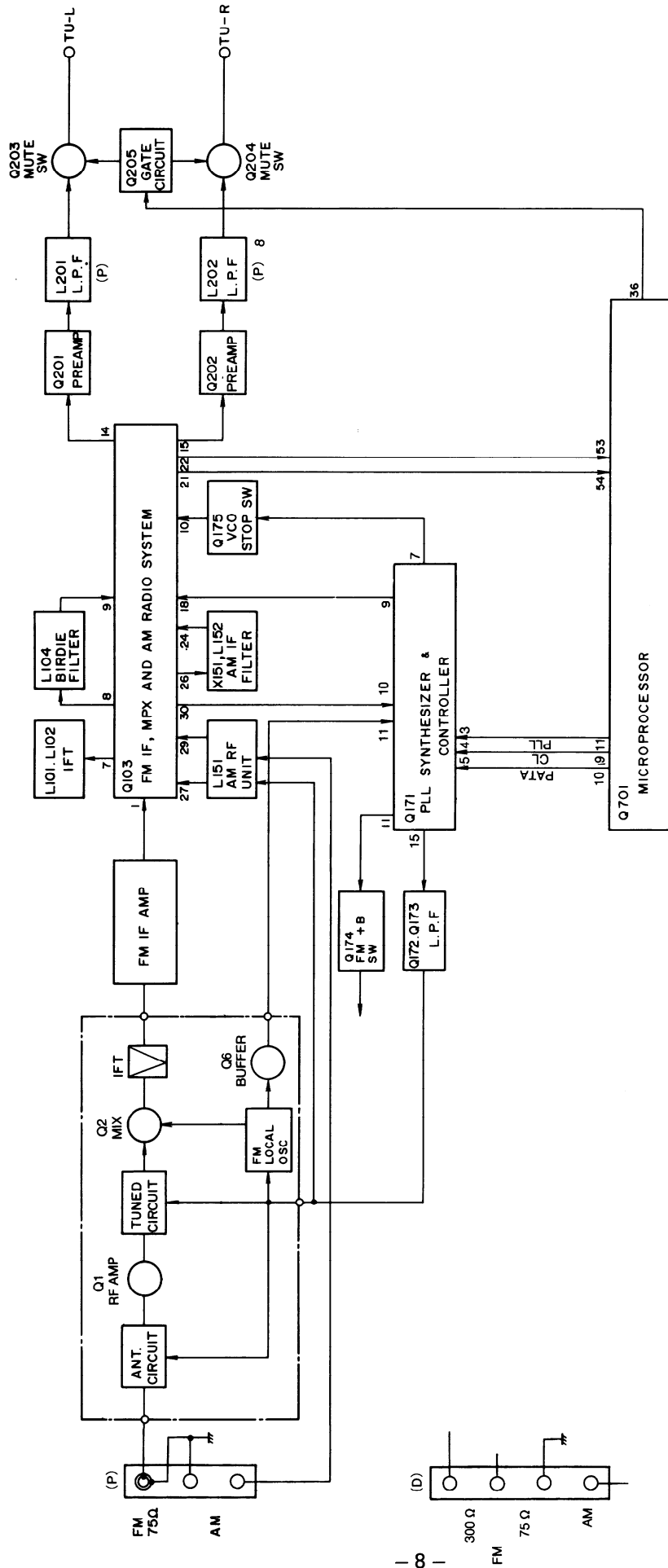
PARTS LIST

REF. NO.	PART NO.	DESCRIPTION	REF. NO.	PART NO.	DESCRIPTION	REF. NO.	PART NO.	DESCRIPTION
1	27110861AY	Front bracket <D/W/T>	F901	252164Y	▲ 5A-UL/T-237, Primary fuse <D/W>	U5	1A598500-3Y	NARF-5400-3, Tuner circuit
2	27110862AY	Front bracket <P>	F902	252076	▲ 3.15A-SE-EAK, Primary fuse <P/W>		1A598500-3AY	pc board ass'y <D>
3	27100278CY	Chassis	F903	252075	▲ 2.5A-SE-EAK, Primary fuse <P>		1A598500-3BY	pc board ass'y <P>
	27122088AY	Rear panel <D>	F921,F922	252156Y	▲ 1A-UL/T-237, Secondary fuse <D>		1A598500-3BY	NARF-5400-3B, Tuner circuit
	27122090AY	Rear panel <P>		252070	▲ 1A-SE-EAK, Secondary fuse <P/W>		1A598501-3Y	pc board ass'y <W>
	27122089Y	Rear panel <W>	P901	253192HIT	▲ AS-UC-6#18, Power supply cord <D>	U6	1A598501-3Y	NAPS-5401-3, Power supply circuit
	27122132Y	Rear panel <T>		253193HIT	▲ AS-CEE, Power supply cord <P>		1A598501-3AY	pc board ass'y <D>
4	27215262Y	Decorative frame <D/W/T>	Q521,Q522	2202823 or	▲ AS-CEE-2, Power supply cord <W>		1A598501-3AY	NAPS-5401-3A, Power supply circuit
	27215259Y	Decorative frame <P>		2201483	* 2SC5200-O or		1A598501-3BY	pc board ass'y <P>
6	27130727Y	Bracket H	Q523,Q524	2202813 or	* 2SC3281-O, Power amplifier transistor		1A598501-3BY	NAPS-5401-3B, Power supply circuit
7	27160330CY	Radiator		2201473	* 2SA1943-O or		1A598502-3Y	pc board ass'y <W>
8	27270212	Spacer <P/W>	T901	2301112Y	▲ NPT-1243D, Power transformer <D>	U7	1A598503-3Y	NAETC-5402-3, Video circuit pc board ass'y
11	27141623Y	Retainer H		2301113Y	▲ NPT-1243P, Power transformer <P>	U8	1A598503-3Y	NAETC-5403-3, Primary circuit
13	27141654Y	Retainer	U1	2301114Y	▲ NPT-1243DG, Power transformer <W>		1A598504-3Y	pc board ass'y
14	28141311Y	Cushion		1A598596-3Y	NAAR-5396-3, Main circuit	U9	1A598504-3Y	NAETC-5404-3,RI terminal pc board ass'y <D/P>
15	27300750	▲ Cord bushing		1A598596-3AY	NAAR-5396-3A, Main circuit	U10	1A598504-3AY	NAETC-5404-3A,RI terminal pc board ass'y <W>
22	27190524	KGLS-14RF, Holder	U2	1A598597-3Y	NAETC-5397-3, Power supply circuit		1A598505-3Y	NAETC-5405-3, Headphone terminal
31	801433	3SMS8W.SW+14B(BC), Sems screw		1A598597-3AY	NAETC-5397-3A, Power supply circuit	U11	1A598505-3AY	NAETC-5405-3A, Headphone terminal
33	838130088	3TTB+8B, Self-tapping screw	U3	1A598598-3Y	NASW-5398-3,Switch pc board ass'y <D>		1A598507-3Y	NAETC-5407-3, Volume circuit
35	830440089	4TTC+8C(BC), Self-tapping screw	U4	1A598599-3Y	NADIS-5399-3,Display circuit			pc board ass'y
36	838230088	3TTB+8B(Ni), Self-tapping screw		1A598599-3AY	NADIS-5399-3A,Display circuit			NOTE: <D>-120V model only
41	838430088	3TTB+8B(BC), Self-tapping screw		1A598599-3BY	NADIS-5399-3B,Display circuit			<P>-230V model only
42	28184476BY	Top cover		1A598599-3CY	NADIS-5399-3C,Display circuit			<W>-:Worldwide model only
44	28140265	8 X 40 X 20,Cushion			pc board ass'y <D>			<C>-:Canadian model only
46	28140680	0.5 X 10 X 180,Cushion			pc board ass'y <W>			<T>-:Taiwanese model only
47	27170302AY	Bottom board			pc board ass'y <C>			
51	27175300Y	Leg			pc board ass'y <P>			
61	1A598121Y	Front panel ass'y <D/W/T>			pc board ass'y <W>			
	1A599121Y	Front panel ass'y <P>			pc board ass'y <D>			
61a	8910301	CS-3, CS ring			pc board ass'y <C>			
61b	28198778Y	Facet			pc board ass'y <P>			
61c	28135199Y	Badge			pc board ass'y <W>			
62	28191714Y	Clear plate						
68	28125255-6Y	End cap L						
69	28125256-6Y	End cap R						
71	28325154	Volume knob ass'y						
72	28325055Y	Tone knob						
91	223023	Isolation sheet						
92	260208	Wire tie						

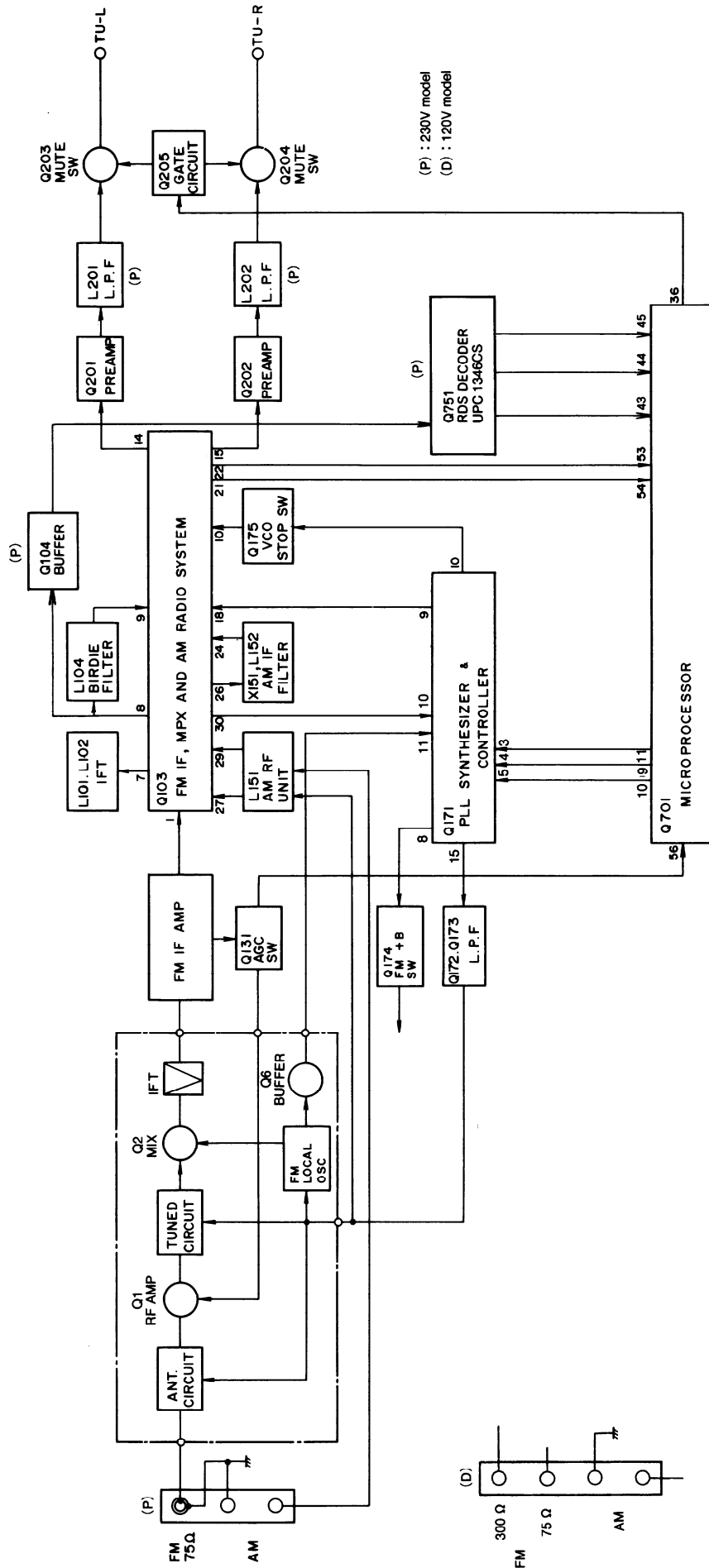
NOTE: THE COMPONENTS IDENTIFIED BY MARK ▲ ARE CRITICAL FOR RISK OF FIRE AND ELECTRIC SHOCK. REPLACE ONLY WITH PART NUMBER SPECIFIED.

BLOCK DIAGRAM

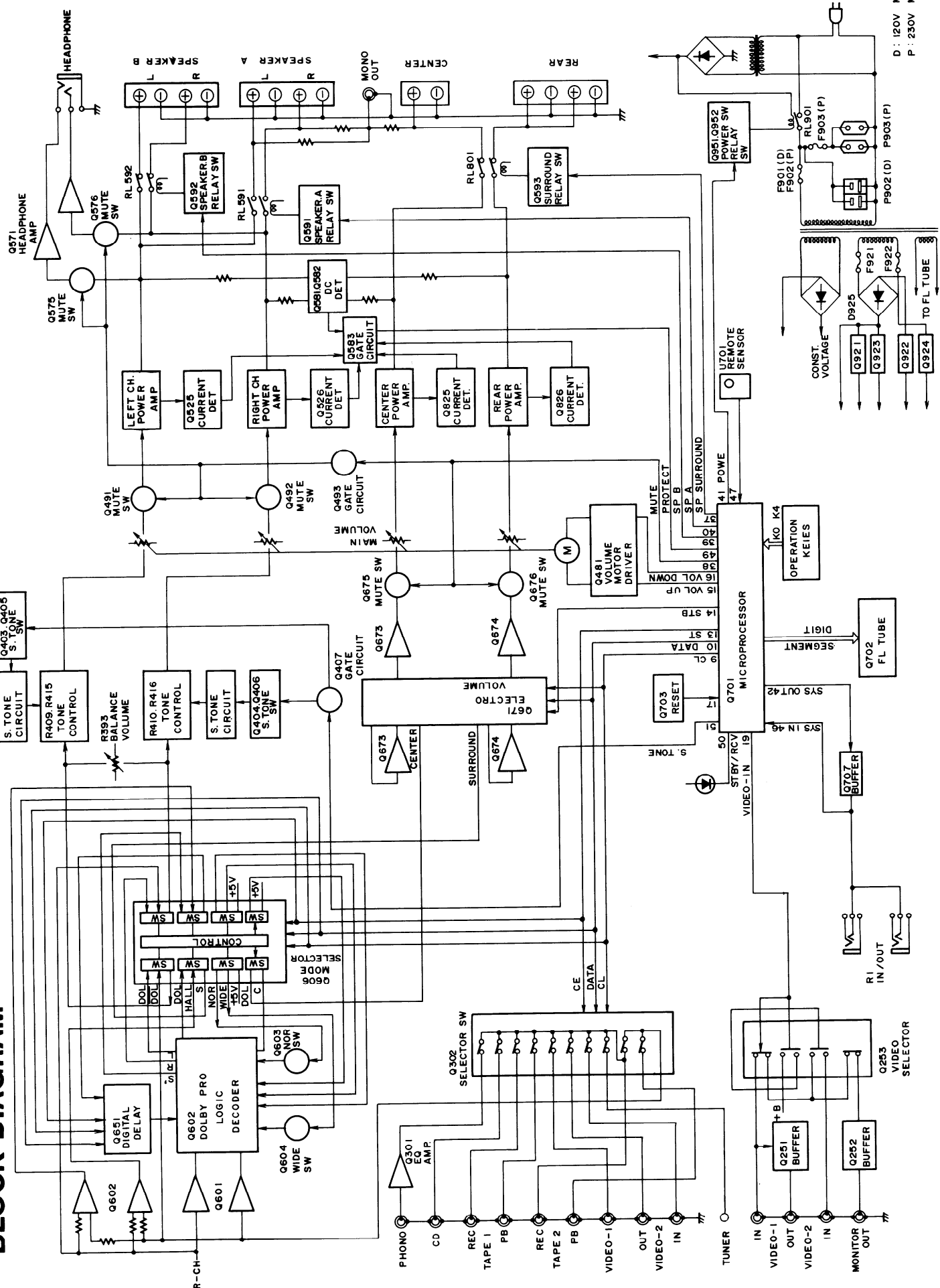
TX-SV424



TX-8410 / TX-8410R

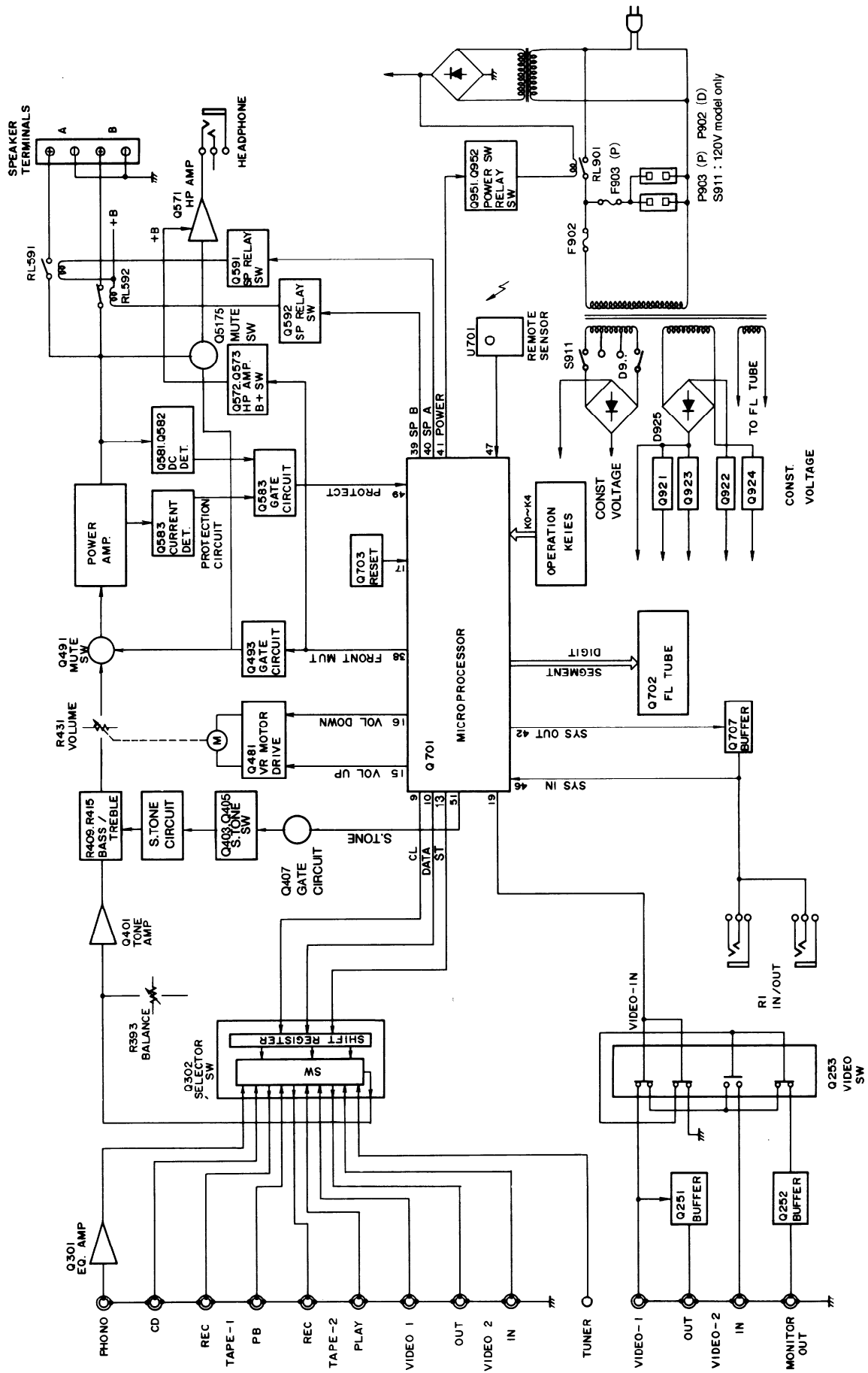


BLOCK DIAGRAM AMPLIFIER SECTION MODEL TX-SV424

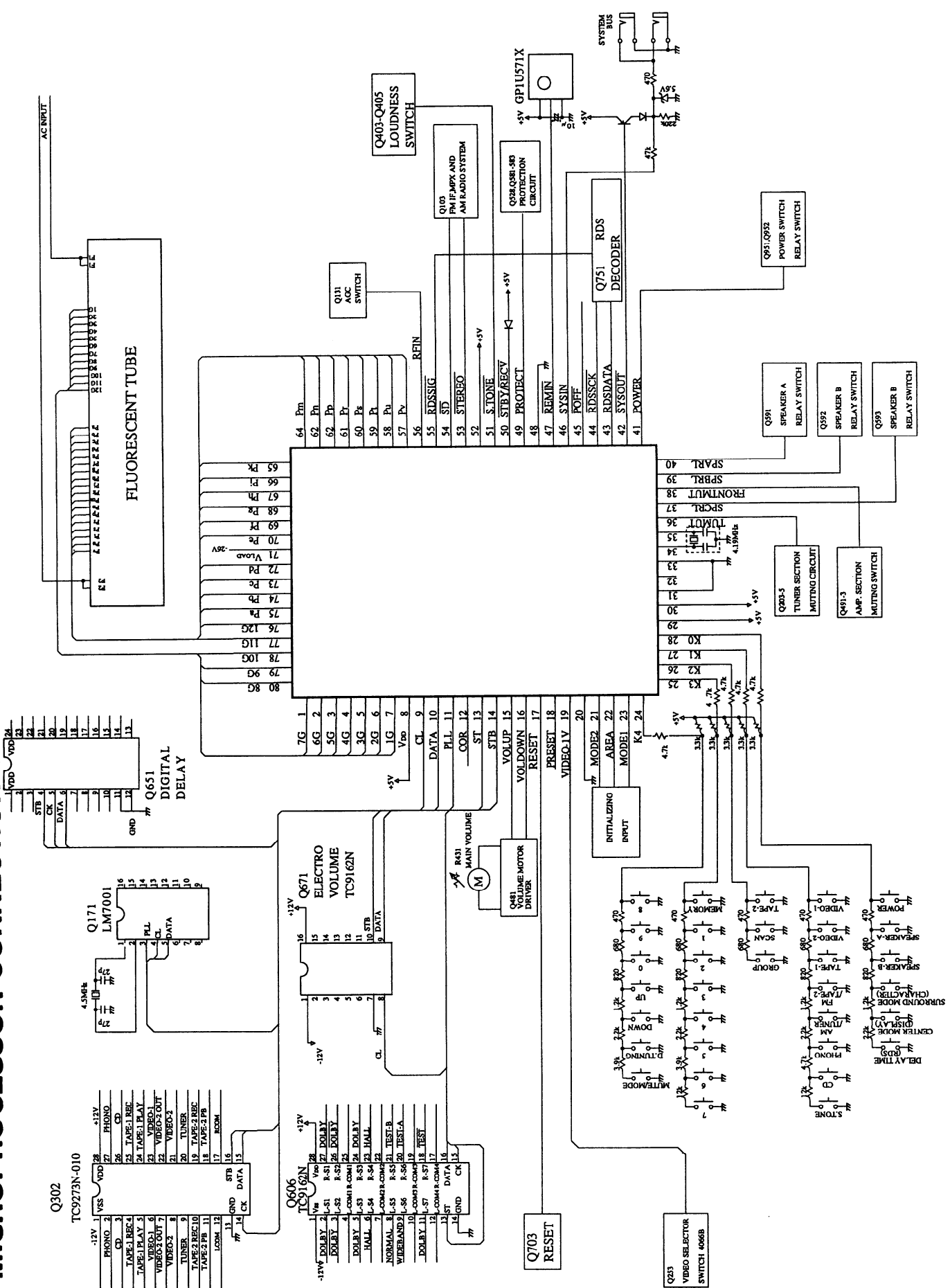


D : 120V Model I
P : 230V Model II

TX-8410 / TX-8410R



MICROPROCESSOR CONNECTION DIAGRAM



TERMINAL DESCRIPTION

Pin No.	Function	I/O	Description
1-7	7G-1G	O	Grid control output pin. On at the high level.
8	VDD		Power supply pin (+5V)
9	CL	O	Clock output pin. Connect to the terminals CK of function switch Q302, surround mode switch Q606, electro volume Q671, digital delay Q651 and PLL IC Q171.
10	DATA	O	Data output pin. Connect to the terminals DATA of function switch Q302, surround mode switch Q606, electro volume Q671 and digital delay.
11	PLL	O	Chip enable output pin for PLL IC
13	SEL	O	Chip enable output pin. Connect to the terminals ST of function switch Q302, surround mode switch Q606, electro volume Q671 and digital delay.
15	VOLUP	O	Volume control output pin
16	VOLDOWN	O	Refer table 1.
17	RESET	I	System reset input pin
20	AVSS		Ground pin of A/D converter
21	MODE	I	Initializing input of operation mode
22	BAND	I	Initializing input of band region
23	MODE1	I	Initializing input of operation mode
24	K4	I	Operation key connection pin
25	K3	I	Operation key connection pin
26	K2	I	Operation key connection pin
27	K1	I	Operation key connection pin
28	K0	I	Operation key connection pin
29	AVDO		Analogue power supply of A/D converter
30	AVREF		Reference voltage input pin of A/D converter
31	XT1		Crystal connection pin for sub system clock resonator
32	XT2		Not used.
33	VSS		Ground pin
34	X1		Resonator connection terminal for main system clock
35	X2		Connect the ceramic resonator 4.19MHz.
36	TMUT	O	Muting output pin for tuner section
38	SMUT	O	Muting output pin for amplifier section
40	RELAY	O	Relay control pin for speaker
41	POWER	O	Power source control output pin
42	SYSOUT	O	System code output pin
43	RDSDATA	I	Data input pin from RDS decoder μ PD1346CS
43	SYSIN	I	System code input pin
44	RDSSCK	I	Clock input pin from RDS decoder IC μ PD1346CS
45	POFF	I	Power stoppage detector input pin
47	REMIN	I	Remote control signal input pin
48	IC		Internal connection pin. Connect to the ground terminal.
49	PROTECT	I	Detector input pin of protection circuit. H:On
50	STBY/RECV	O	Stand-by and received indicator output pin
52	VDD		Power supply pin (+5V)
53	STEREO	I	Detector input pin of FM stereo broadcast
54	SD	I	Detector input pin of broadcast more than muting level
55	RDSSIG	I	Detector input pin of RDS broadcast. L:RDS broadcast
56	RFIN	I	RF mode input pin. Local at the low level.
57-70	Pv-Pe	O	Segment output pins. On at the high level.
71	VLOAD	I	Pull-down resistor connection pin of controller and driver of FL.
72-75	Pd-Pa	O	Segment output pins. On at the high level.
76-80	12G-8G	O	Grid control output pin. On at the high level.

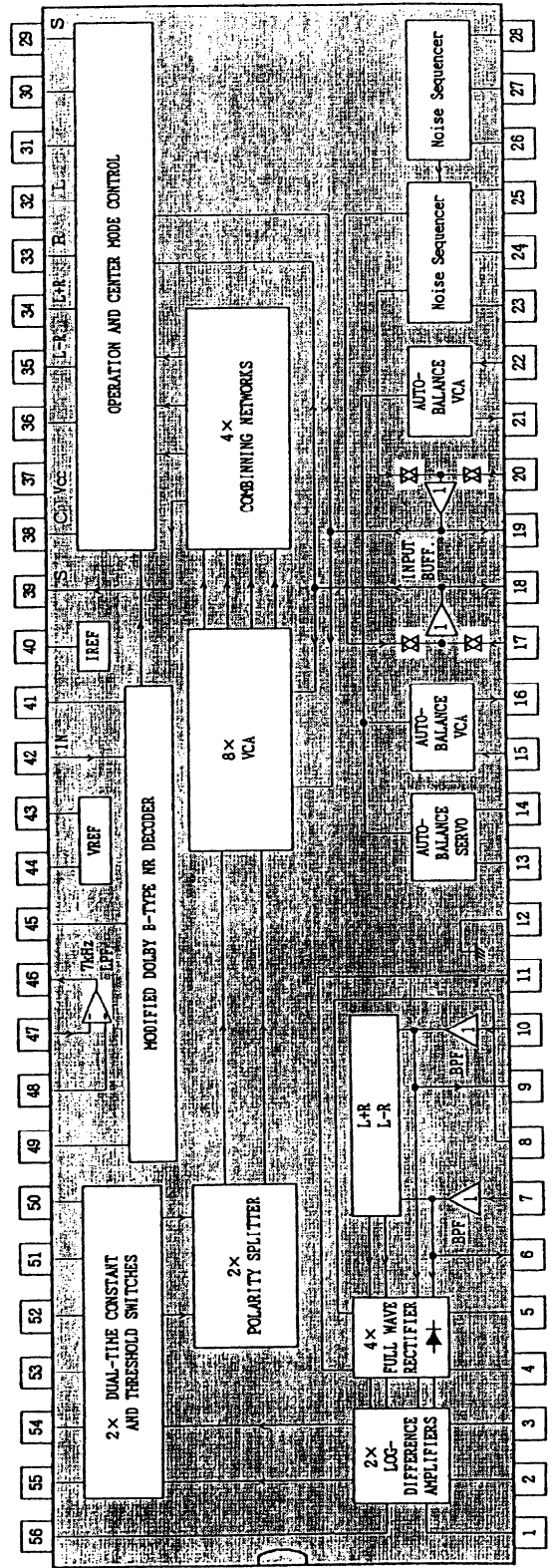
Operation	#39	#40
VOLUME UP	H	L
VOLUME DOWN	L	H
STOP	H	H

Table 1

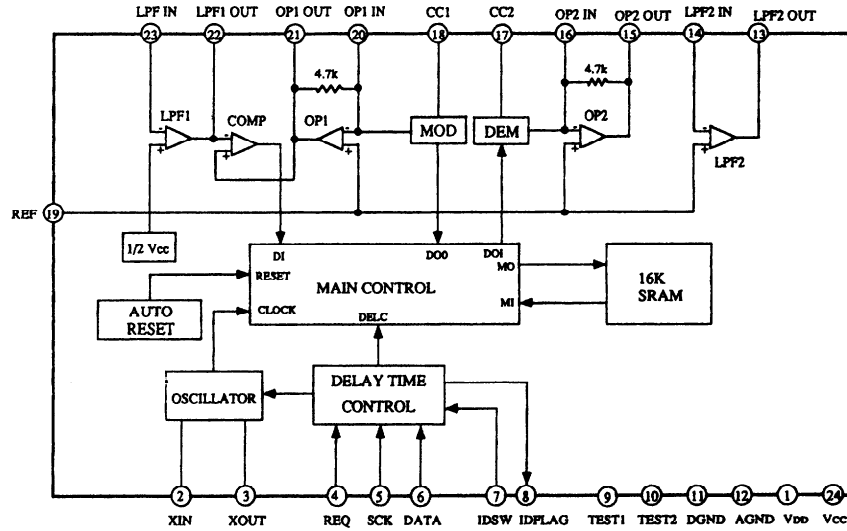
IC BLOCK DIAGRAM AND DESCRIPTIONS

NJM2177L / M69032P (Dolby Pro Logic)

C-RECT-OUT	1	56	S-RECT-OUT
R-RECT-OUT	2	55	VLR-TC2
L-RECT-OUT	3	54	VLR-TC1
S-RECT-TC	4	53	VCS-TC1
C-RECT-TC	5	52	VCS-TC2
L-BPF-OUT	6	51	VCS-TC3
L-BPF-IN	7	50	VLR-TC3
L-RECT-TC	8	49	NR-TC
R-BPF-OUT	9	48	LPF-NINV-IN LPF non-inversion output
R-BPF-IN	10	47	LPF-INV-IN LPF inversion input
R-RECT-TC	11	46	LPF-OUT LPF output
GND	12	45	NR-WT
AB-GATE	13	44	VREF
AB-HOLD-TC	14	43	VREF
L-AB-IN Auto balance L ch input	15	42	NR-IN NR input
L-AB-OUT Auto balance L ch output	16	41	NR-VCF
L-IN Left channel input	17	40	IREF
L-INBUF-OUT L ch input/Buffer output	18	39	S'-OUT Surround output before delay processing
R-INBUF-OUT R ch input/Buffer output	19	38	C-OUT Center channel output
R-IN Right channel input	20	37	Vcc
R-AB-OUT Auto balance R ch output	21	36	CENTER-MODE
R-AB-IN Auto balance R ch input	22	35	L-R-OUT Subtractor output (L-R)
NOISE-CNT-E Signal/Noise selector	23	34	L+R-OUT Adder output (L+R)
NOISE-CNT-A Noise output selector	24	33	R-OUT Right channel output
NOISE-CNT-B Noise output selector	25	32	L-OUT Left channel output
NOISE-REF	26	31	MODE-CNT 2/3/4 channels switch
NOISE-HPF	27	30	CENTER-CNT Center channel ON/OFF switch
NOISE-LPF	28	29	S-OUT Surround output

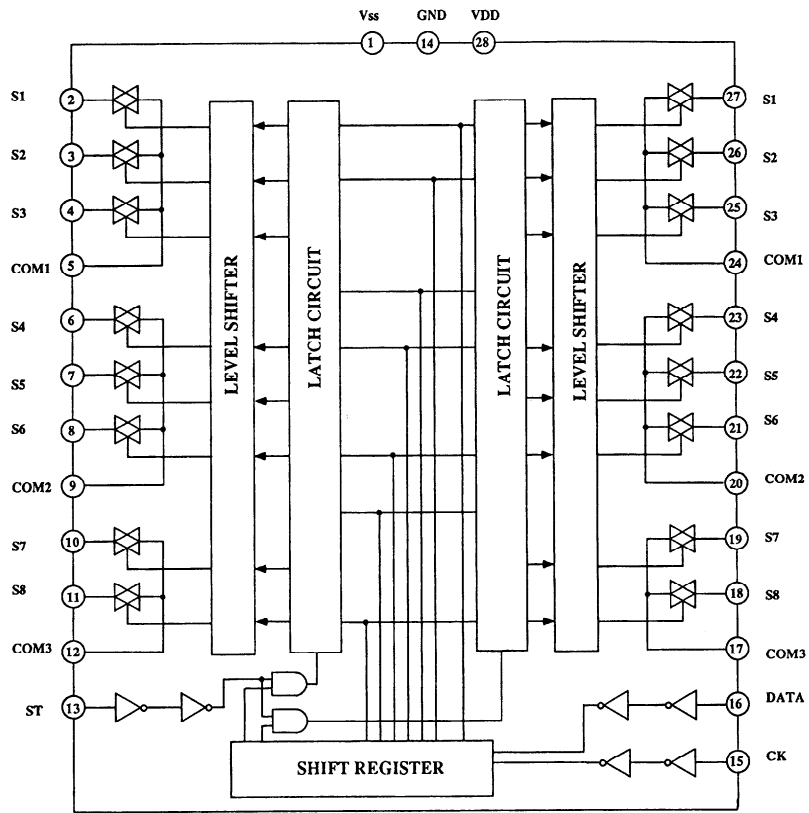


M65830P (Digital Delay)

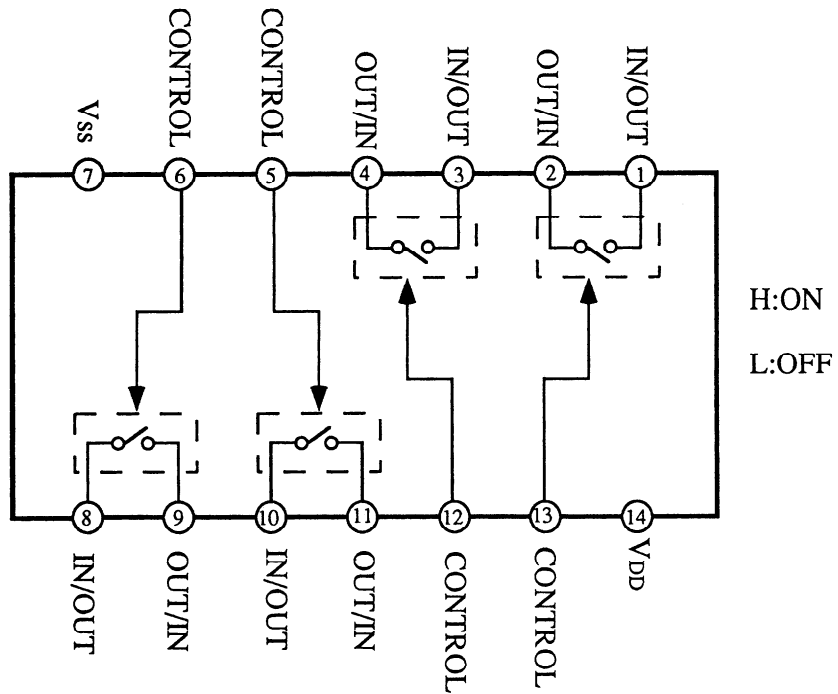


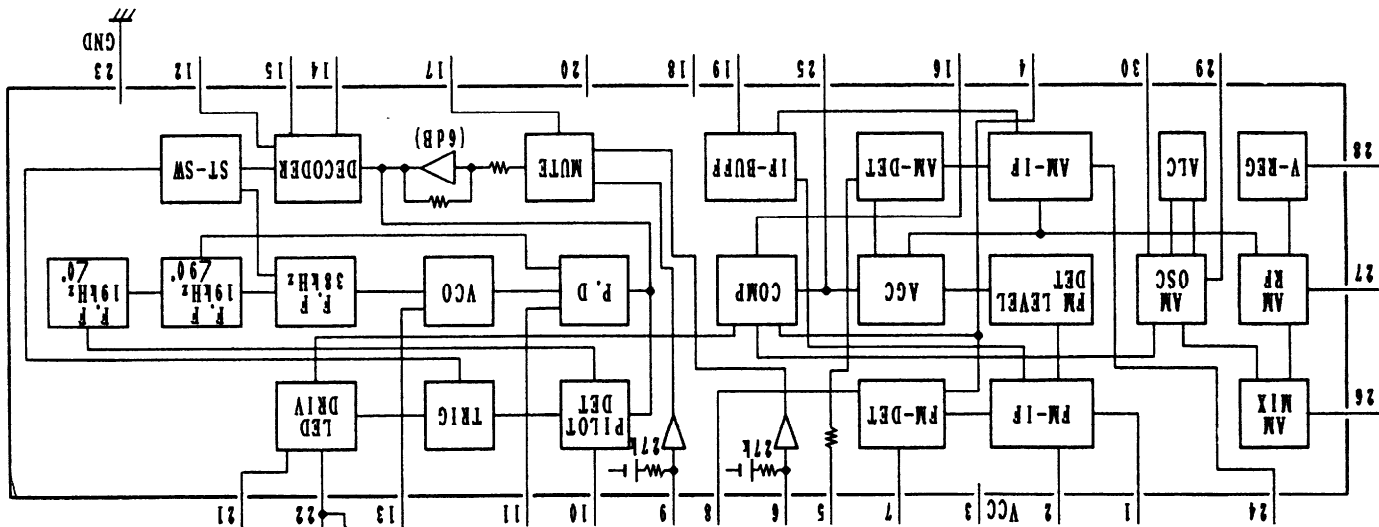
Pin No.	Mark	Function	I/O	Description
1	VDD	Digital power supply	-	
2	XIN	Resonator input	I	Connect the 2MHz ceramic resonator
3	XOUT	Resonator output	O	
4	REQ	Request	I	Data request input
5	SCK	Shift lock	I	Serial data shift clock input
6	DATA	Data	I	Serial data input
7	IDSW	ID switch	I	External input of 4th bit of ID code
8	IDFLAG	ID flag	O	Data input confirmation pulse and serial data output
9	TEST1	Test 1	-	Normal mode when low level
10	TEST2	Test 2	-	Normal mode when low level
11	D GND	Digital ground	-	
12	A GND	Analog ground	-	
13	LPF2 OUT	LPF filter 2 output	O	
14	LPF2 IN	LPF filter 2 input	I	
15	OP2 OUT	Operation amp. 2 output	O	
16	OP2 IN	Operation amp. 2 input	I	
17	CC2	Current control 2	-	Demodulation ADM control
18	CC1	Current control 1	-	Modulation ADM control
19	REF	Reference	-	Analog reference voltage=1/2VCC
20	OP1 IN	Operation amp. 1 input	I	
21	OP1 OUT	Operation amp. 1 output	O	
22	LPF1 OUT	LPF filter 1 output	O	
23	LPF1 IN	LPF filter 1 input	I	
24	VCC	Analog power supply	-	

TC9162N (Function switch)

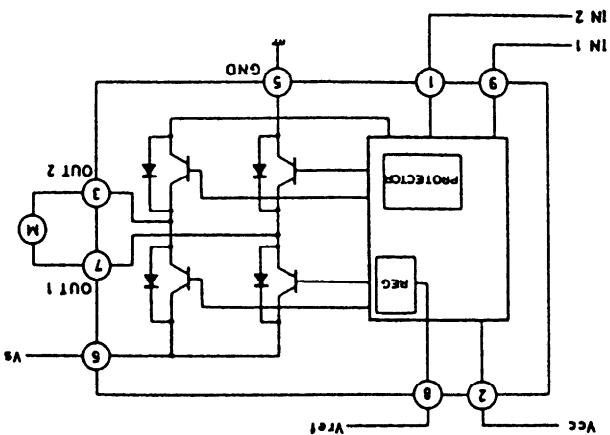


4066 (Analog Switch)





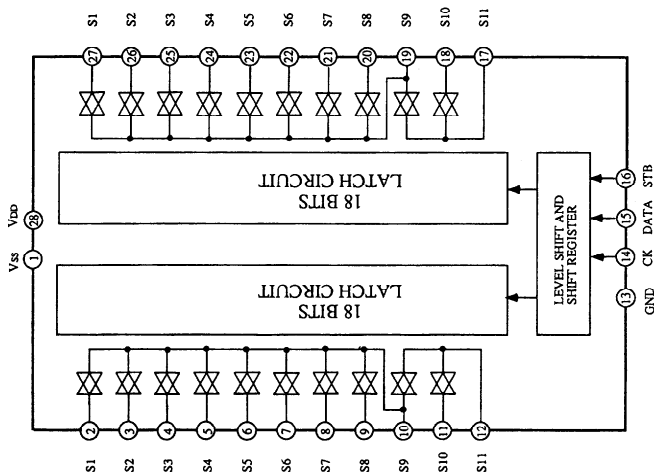
LA1851N (AM, FM IF and MPX)



TA7291S (Volume driver)

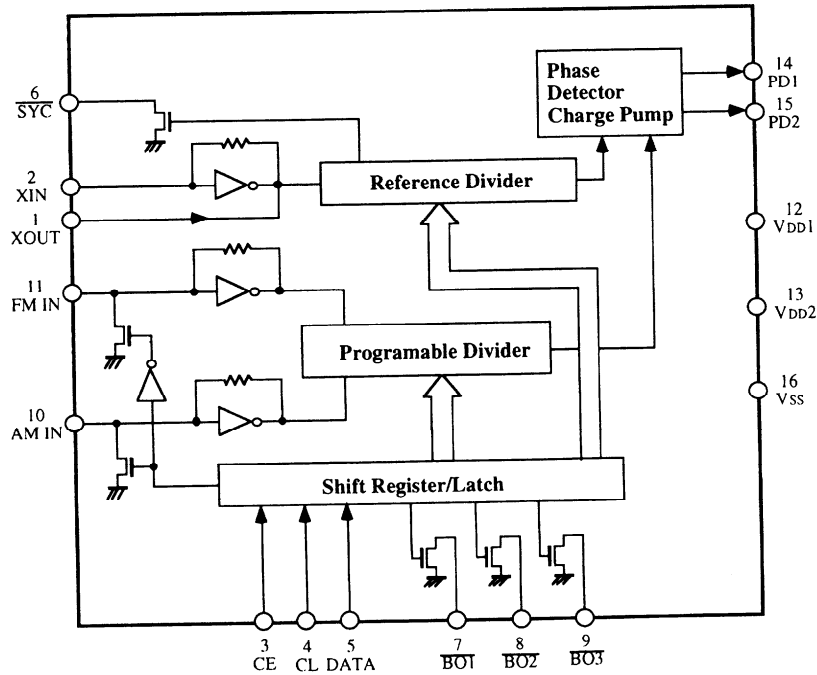
CW: Counter clockwise direction
 CW: Clockwise direction

MODE	INPUT		OUTPUT	
	IN 1	IN 2	OUT 1	OUT 2
STOP	0	∞	∞	∞
CW/CCW	1	0	H	L
CCW/CW	0	1	L	H
BRAKE	1	1	L	L



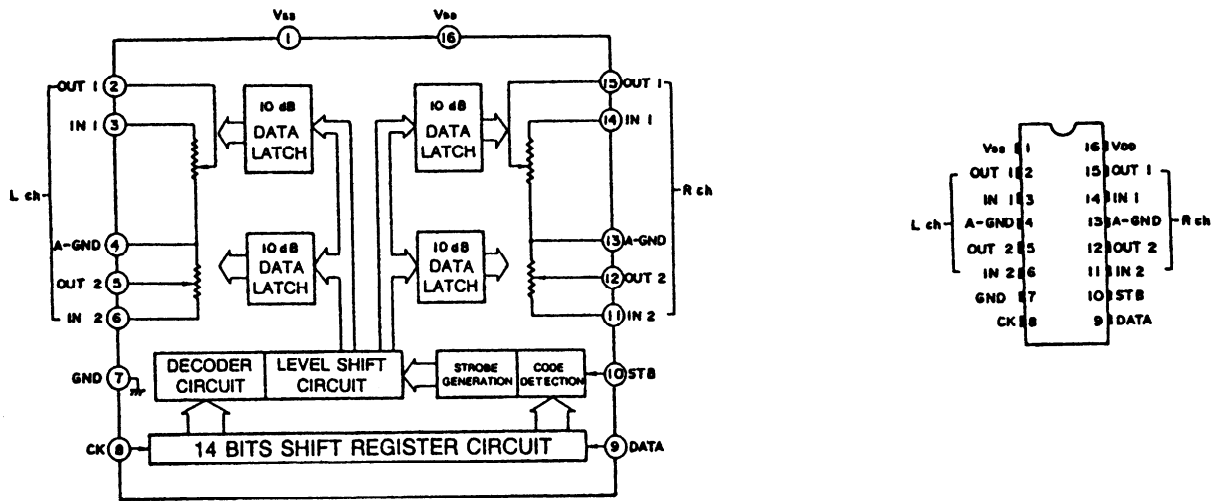
TC9273N-010 (Analog Switch)

LM7001 (PLL Frequency Synthesized LSI)

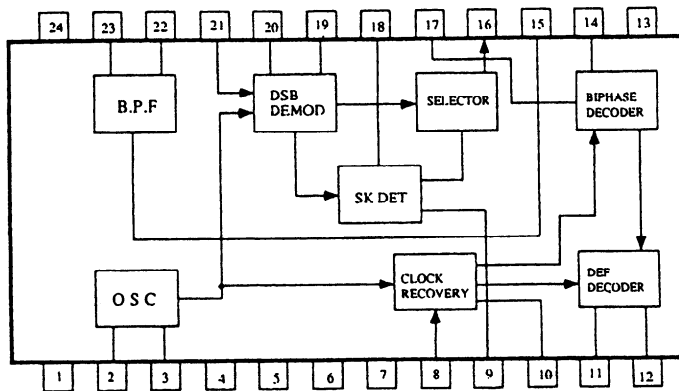


Pin No.	Terminal	Description
1	XOUT	Connect the 7.2MHz crystal resonator.
2	XIN	
3	CE	Chip enable terminal. Connect to the terminal PLLCE1 of microprocessor.
4	CL	Serial clock input terminal. Connect to the terminal PLLCL of microprocessor.
5	DATA	Serial data input terminal. Connect to the terminal PLLDATA of microprocessor.
6	$\overline{\text{SYN}}$	Not used.
7	$\overline{\text{SAT/CANLE}}$	Power source control terminal for DSR. Cable at the high level and Satellite at low.
8	LPF	LPF selector output.
9	ANT	Antenna selector output. A at high level and B at low level.
10	AMIN	AM local oscillator input terminal.
11	FMIN	FM local oscillator input terminal.
12	VDD1	Power source terminal for back-up.
13	VDD2	Power source terminal.
14	PD1	Phase comparator output
15	PD2	Phase comparator output
16	VSS	Ground terminal

TC9213P (Electro Volume)



μPD1346CS (RDS Decoder)



No.	Terminal	Description	No.	Terminal	Description
1	Vcc	Supply voltage for the digital circuit	13	GND	Ground for the analog circuit
2	OSC IN	Resonator input	14	INTEG	Integrating filter terminal
3	OSC OUT	Resonator output	15	BPF ADJ	Adjustment fc of band pass filter
4	GND	Ground for the digital circuit	16	PSK OUT	Biphase signal output
5	TEST1	Test input	17	PSK IN	Biphase decoder input
6	TEST2	Test input	18	LPF SK	Low pass filter for the detection SK
7	OP.CTL	Control input of the operation stop	19	LPF Q	Low pass filter for the crossed detector
8	S/L CTL	Mode control input of the synchronizing detection	20	LPF I	Low pass filter for the synchronizing detector
9	SK OUT	SK detection output	21	DSB IN	DSB demodulator circuit input
10	RDS OUT	RDS synchronizing detection output	22	BPF OUT	Band pass filter output
11	CLOCK OUT	Bit rate clock output	23	BPF IN	Band pass filter input
12	DATA OUT	RDS data output	24	Vcc	Supply voltage for analog circuit

ADJUSTMENT PROCEDURES

Preparation

1. Input

FM mono: 1kHz, 75kHz devi., 60dB/μV

FM stereo: 1kHz, 75kHz devi., 60dB/μV

Pilot signal 19kHz 7.5kHz devi.

AM: 400Hz 30% mod.

2. Outputs

Connect the non-inductive type resistors of 8 ohms to the speaker terminals A unless otherwise noted.

TX-SV424

3. Standard Knob Positions

Master Volume Control	Maximum
Bass Control	Center
Treble Control	Center
Balance Control	Center
Input selector	CD
Tape 2 Monitor.....	OFF
Muting	OFF
Selective tone.....	OFF
Speaker A	ON
Speaker B.....	OFF
Dolby Surround.....	OFF
Center Mode	Wide Band
Delay Time.....	20 ms
Center Level	0 dB
Rear Level	0 dB

Idling Current Adjustment

Connect the DC voltmeter to the terminals P521, P522, and P821 (VCT and IID) on the main circuit pc board.

Adjust the trim resistors R537, R538 and R837 so that the indicator of voltmeter becomes 3.25 ± 0.25 mV.

NOTE: Adjust after switching on for 5 minutes.

Set Volume knob to the minimum position.

TX-8410/8410R

3. Standard Knob Positions

Master Volume Control	Maximum
Bass Control	Center
Treble Control	Center
Balance Control	Center
Input selector	CD
Tape 2 Monitor.....	OFF
Muting	OFF
Loudness	OFF
Speakers	A

Idling Current Adjustment

Connect the DC voltmeter to the terminals P521, and P522 (VCT and IID) on the main circuit pc board.

Adjust the trim resistors R537, and R538 so that the indicator of voltmeter becomes 3.25 ± 0.25 mV.

NOTE: Adjust after switching on for 5 minutes.

Set Volume knob to the minimum position.

Set the unit to the test mode.

1. Press and hold down the CD button, then press the Power button.
2. "TEST-" is displayed on the display.
3. While "TEST-" is displayed, press the FM key.

FM ADJUSTMENT

Item	Step	Connection of instrument	FM SG output	Stereo modulator output	Tuning frequency	Output indicator	Adjustment point	Adjust for	Remarks
FM IF/RF	1	Fig.1	99.0MHz 1kHz 75kHz devi. 65dBf(60dB)	—	99.0MHz	DC voltmeter	L101	0±20mV	FM MUTE/MODE switch:ON/STEREO Repeat the steps 1 and 3 until no further adjustment is necessary.
	AC voltmeter					IFT on the front end	Maximum		
	Distortion analyzer					L102	Minimum		
Stereo Distortion		Fig.2	99.0MHz Ext. mod.65dBf(60dB)	Channel L or R 1kHz	99.0MHz	Distortion analyzer	IFT on the front end	Minimum	Don't turn more than ±180°
Stereo Separation	1	Fig.2	99.0MHz Ext. mod. 65dBf(60dB)	Channel L 1kHz	99.0MHz	Channel R AC voltmeter	R202	Minimum	Maximum and same separation
	2			Channel R 1kHz		Channel L AC voltmeter		Minimum	
Muting Level		Fig.2	99.0MHz 21.2dBf(16dB) <P/W models> 23.2dBf(18dB) <D model>	—	99.0MHz	Oscilloscope or TUNED indicator	R101	Signal output or light on	
RDS		Fig.3	99.0MHz Ext. mod.40dB	RDS data or 57kHz 3% devi.	99.0MHz	Oscilloscope	R786	Maximum	TX-8410RDS only

AM ADJUSTMENT

120V model

Step	AM SG output	Tuning Frequency	Output Indicator	Adjustment point	Adjust for
1		530kHz	Digital DC voltmeter	OSC coil on RF block L151	1.3±0.1V
2	600kHz 400Hz 30% mod. 60dB/m	600kHz	AC voltmeter	RF coil on RF block L151	Maximum
3	990kHz 400Hz 30% mod. 60dB/m	990kHz	AC voltmeter	L152	Maximum

Reference Specification

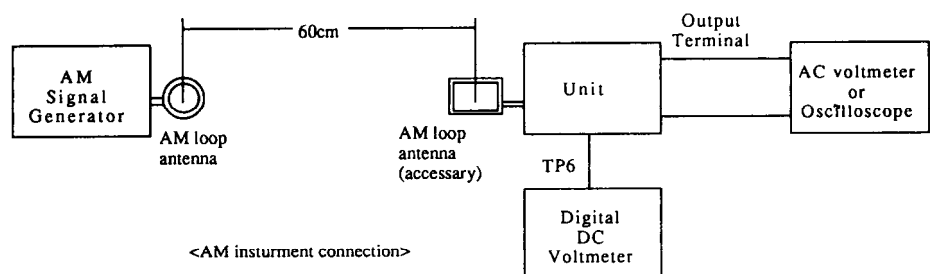
FM tuned voltage:87.9MHz~107.9MHz
More than 1.3V~Less than 10V
AM tuned voltage:530kHz~1710kHz
1.3±0.2V~Less than 9.0V

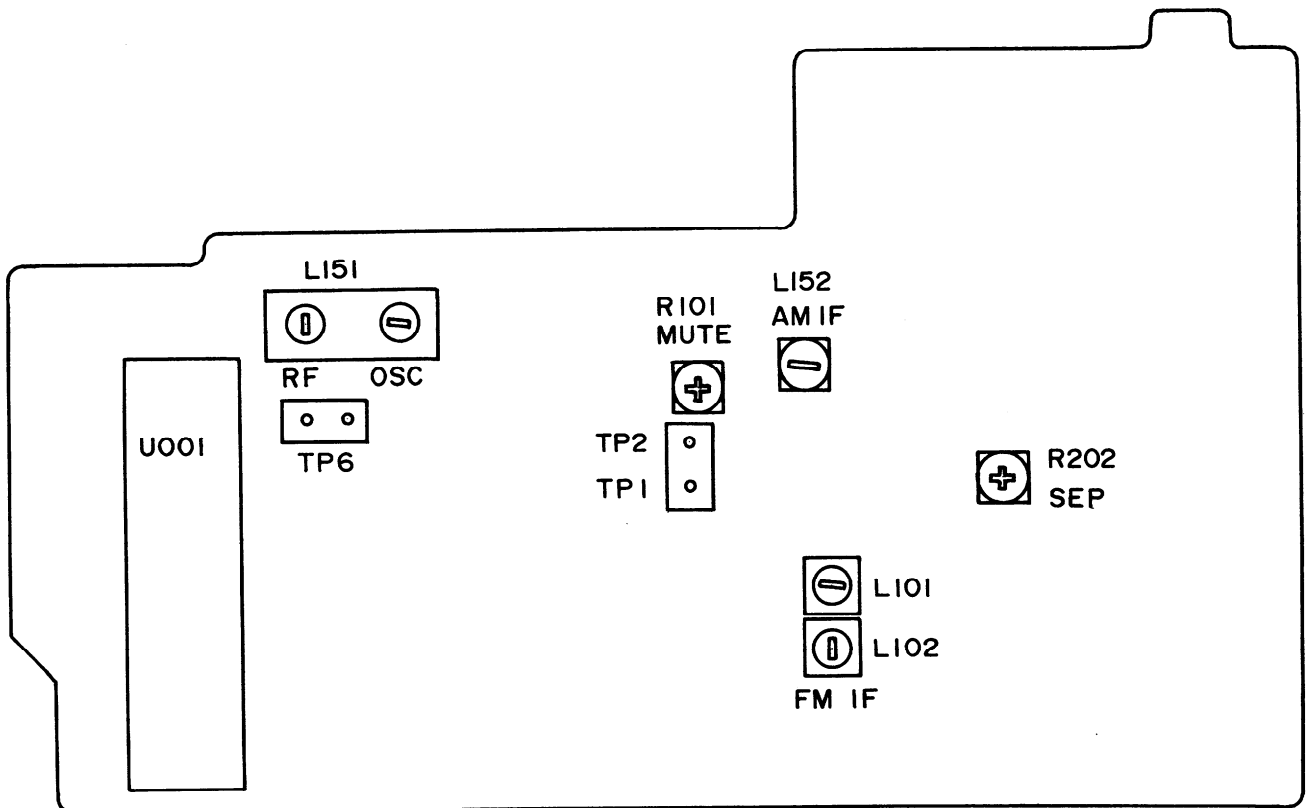
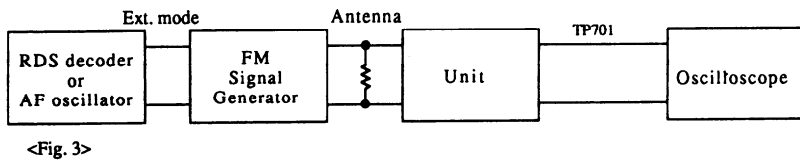
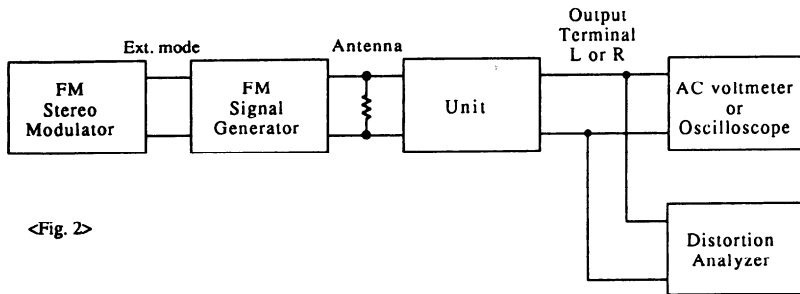
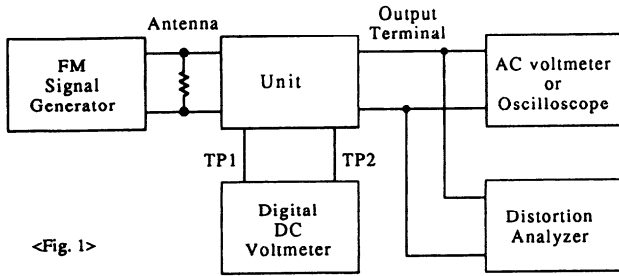
230V and worldwide models

Step	AM SG output	Tuning Frequency	Output Indicator	Adjustment point	Adjust for
1		522kHz or 531kHz	Digital DC voltmeter	OSC coil on RF block L151	1.3±0.1V
2	603kHz 400Hz 30% mod. 60dB/m	603kHz	AC voltmeter	RF coil on RF block L151	Maximum
3	999kHz 400Hz 30% mod. 60dB/m	999kHz	AC voltmeter	L152	Maximum

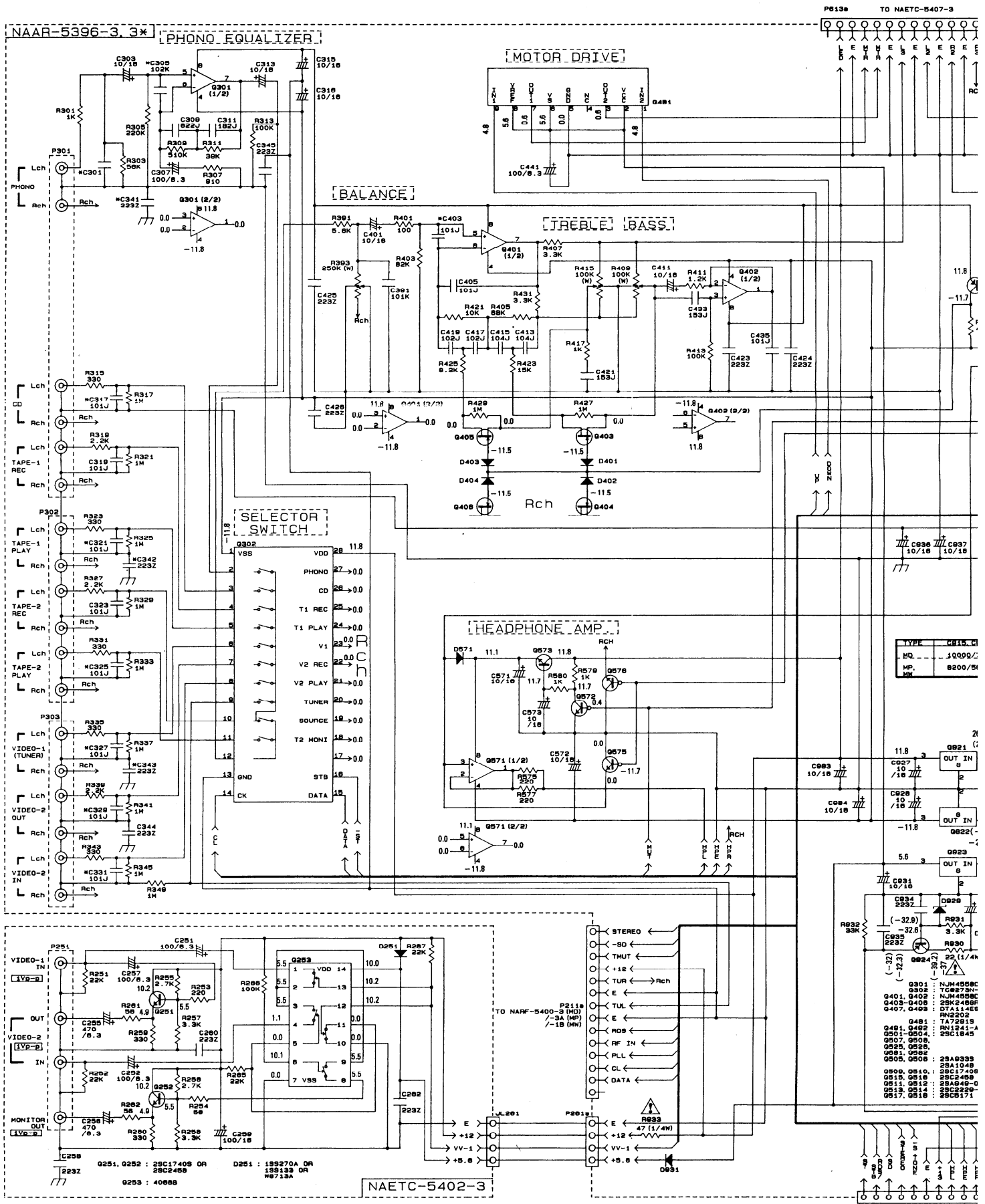
Reference Specification

FM tuned voltage:87.5MHz~108.0MHz
More than 1.3V~Less than 10V
AM tuned voltage:522kHz~1611kHz
1.3±0.2V~Less than 9.0V (230V model)
AM tuned voltage:531kHz~1602kHz
1.3±0.2V~Less than 9.0V (Worldwide model)



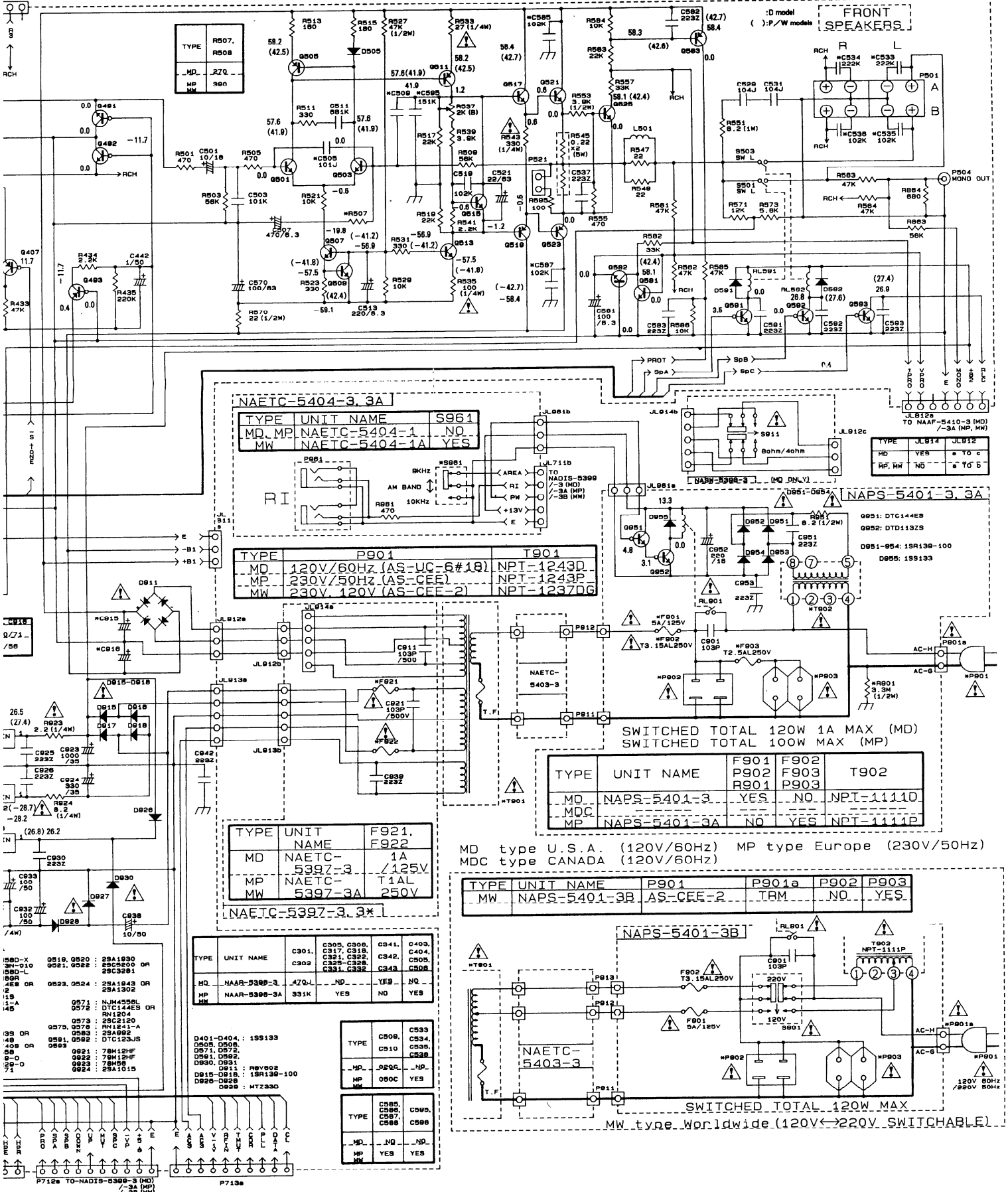


SCHEMATIC DIAGRAM



TYPE	CR15-CI
HQ	10009/2
MP	8200/51
HW	

Q301	NJM4558C
Q302	NC427M
Q401, Q402	NJM4558C
Q403-Q405	2SK2468F
Q407, Q408	07A14458
	RM2202
	7A72815
Q481, Q482	8N1541-A
Q501-Q504, Q507, Q508	2SC1845
Q525, Q528, Q581, Q582	
Q505, Q506	2SA6335
Q509, Q510, Q511, Q512	2SA1048
Q515, Q518	2SC2458
Q511, Q512	2SA645-0
Q513, Q514	2SC2259
Q517, Q518	2SC6171



TYPE	R507
MD	27Q
MP	30Q

TYPE	UNIT NAME	S961
MD, MP	NAETC-5404-1	NO
MW	NAETC-5404-1A	YES

TYPE	P901	T901
MD	120V/60Hz (AS-UC-6#18)	NPT-1243D
MP	230V/50Hz (AS-CEE)	NPT-1243P
MW	230V, 120V (AS-CEE-2)	NPT-12370G

TYPE	UNIT NAME	F901	F902	F903	T902
MD	NAPS-5401-3	YES	NO	NO	NPT-1111D
MDC	NAPS-5401-3A	NO	YES	NO	NPT-1111P

TYPE	UNIT NAME	F921	F922
MD	NAETC-1A	5397-3	125V
MP	NAETC-1A	T1A	250V
MW	NAETC-3A	5397-3A	250V

MD type U.S.A. (120V/60Hz) MP type Europe (230V/50Hz)
MDC type CANADA (120V/60Hz)

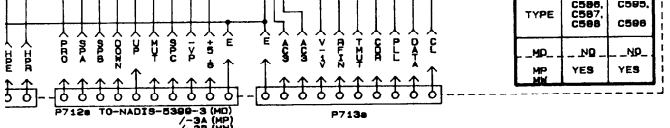
TYPE	UNIT NAME	P901	P901a	P902	P903
MW	NAPS-5401-3B	AS-CEE-2	IRM	NO	YES

TYPE	UNIT NAME	C301	C305	C306	C317	C318	C321	C322	C323	C324	C325	C326	C331	C332	C333	C343	C403	C404	C405	C505	C506	C507	C508	C509	C510	C511	C512	C513	C514	C515	C516	C517	C518	C519	C520	C521	C522	C523	C524	C525	C526	C527	C528	C529	C530	C531	C532	C533	C534	C535	C536	C537	C538	C539	C540	C541	C542	C543	C544	C545	C546	C547	C548	C549	C550	C551	C552	C553	C554	C555	C556	C557	C558	C559	C560	C561	C562	C563	C564	C565	C566	C567	C568	C569	C570	C571	C572	C573	C574	C575	C576	C577	C578	C579	C580	C581	C582	C583	C584	C585	C586	C587	C588	C589	C590	C591	C592	C593	C594	C595
------	-----------	------	------	------	------	------	------	------	------	------	------	------	------	------	------	------	------	------	------	------	------	------	------	------	------	------	------	------	------	------	------	------	------	------	------	------	------	------	------	------	------	------	------	------	------	------	------	------	------	------	------	------	------	------	------	------	------	------	------	------	------	------	------	------	------	------	------	------	------	------	------	------	------	------	------	------	------	------	------	------	------	------	------	------	------	------	------	------	------	------	------	------	------	------	------	------	------	------	------	------	------	------	------	------	------	------	------	------	------	------

TYPE	UNIT NAME	D501	D502	D503	D504	D505	D506	D507	D508	D509	D510	D511	D512	D513	D514	D515	D516	D517	D518	D519	D520	D521	D522	D523	D524	D525	D526	D527	D528	D529	D530	D531	D532	D533	D534	D535	D536	D537	D538	D539	D540	D541	D542	D543	D544	D545	D546	D547	D548	D549	D550	D551	D552	D553	D554	D555	D556	D557	D558	D559	D560	D561	D562	D563	D564	D565	D566	D567	D568	D569	D570	D571	D572	D573	D574	D575	D576	D577	D578	D579	D580	D581	D582	D583	D584	D585	D586	D587	D588	D589	D590	D591	D592	D593	D594	D595	D596	D597	D598	D599	D600	D601	D602	D603	D604	D605	D606	D607	D608	D609	D610	D611	D612	D613	D614	D615	D616	D617	D618	D619	D620	D621	D622	D623	D624	D625	D626	D627	D628	D629	D630	D631	D632	D633	D634	D635	D636	D637	D638	D639	D640	D641	D642	D643	D644	D645	D646	D647	D648	D649	D650	D651	D652	D653	D654	D655	D656	D657	D658	D659	D660	D661	D662	D663	D664	D665	D666	D667	D668	D669	D670	D671	D672	D673	D674	D675	D676	D677	D678	D679	D680	D681	D682	D683	D684	D685	D686	D687	D688	D689	D690	D691	D692	D693	D694	D695	D696	D697	D698	D699	D700	D701	D702	D703	D704	D705	D706	D707	D708	D709	D710	D711	D712	D713	D714	D715	D716	D717	D718	D719	D720	D721	D722	D723	D724	D725	D726	D727	D728	D729	D730	D731	D732	D733	D734	D735	D736	D737	D738	D739	D740	D741	D742	D743	D744	D745	D746	D747	D748	D749	D750	D751	D752	D753	D754	D755	D756	D757	D758	D759	D760	D761	D762	D763	D764	D765	D766	D767	D768	D769	D770	D771	D772	D773	D774	D775	D776	D777	D778	D779	D780	D781	D782	D783	D784	D785	D786	D787	D788	D789	D790	D791	D792	D793	D794	D795	D796	D797	D798	D799	D800	D801	D802	D803	D804	D805	D806	D807	D808	D809	D810	D811	D812	D813	D814	D815	D816	D817	D818	D819	D820	D821	D822	D823	D824	D825	D826	D827	D828	D829	D830	D831	D832	D833	D834	D835	D836	D837	D838	D839	D840	D841	D842	D843	D844	D845	D846	D847	D848	D849	D850	D851	D852	D853	D854	D855	D856	D857	D858	D859	D860	D861	D862	D863	D864	D865	D866	D867	D868	D869	D870	D871	D872	D873	D874	D875	D876	D877	D878	D879	D880	D881	D882	D883	D884	D885	D886	D887	D888	D889	D890	D891	D892	D893	D894	D895	D896	D897	D898	D899	D900	D901	D902	D903	D904	D905	D906	D907	D908	D909	D910	D911	D912	D913	D914	D915	D916	D917	D918	D919	D920	D921	D922	D923	D924	D925	D926	D927	D928	D929	D930	D931	D932	D933	D934	D935	D936	D937	D938	D939	D940	D941	D942	D943	D944	D945	D946	D947	D948	D949	D950	D951	D952	D953	D954	D955	D956	D957	D958	D959	D960	D961	D962	D963	D964	D965	D966	D967	D968	D969	D970	D971	D972	D973	D974	D975	D976	D977	D978	D979	D980	D981	D982	D983	D984	D985	D986	D987	D988	D989	D990	D991	D992	D993	D994	D995	D996	D997	D998	D999	D1000
------	-----------	------	------	------	------	------	------	------	------	------	------	------	------	------	------	------	------	------	------	------	------	------	------	------	------	------	------	------	------	------	------	------	------	------	------	------	------	------	------	------	------	------	------	------	------	------	------	------	------	------	------	------	------	------	------	------	------	------	------	------	------	------	------	------	------	------	------	------	------	------	------	------	------	------	------	------	------	------	------	------	------	------	------	------	------	------	------	------	------	------	------	------	------	------	------	------	------	------	------	------	------	------	------	------	------	------	------	------	------	------	------	------	------	------	------	------	------	------	------	------	------	------	------	------	------	------	------	------	------	------	------	------	------	------	------	------	------	------	------	------	------	------	------	------	------	------	------	------	------	------	------	------	------	------	------	------	------	------	------	------	------	------	------	------	------	------	------	------	------	------	------	------	------	------	------	------	------	------	------	------	------	------	------	------	------	------	------	------	------	------	------	------	------	------	------	------	------	------	------	------	------	------	------	------	------	------	------	------	------	------	------	------	------	------	------	------	------	------	------	------	------	------	------	------	------	------	------	------	------	------	------	------	------	------	------	------	------	------	------	------	------	------	------	------	------	------	------	------	------	------	------	------	------	------	------	------	------	------	------	------	------	------	------	------	------	------	------	------	------	------	------	------	------	------	------	------	------	------	------	------	------	------	------	------	------	------	------	------	------	------	------	------	------	------	------	------	------	------	------	------	------	------	------	------	------	------	------	------	------	------	------	------	------	------	------	------	------	------	------	------	------	------	------	------	------	------	------	------	------	------	------	------	------	------	------	------	------	------	------	------	------	------	------	------	------	------	------	------	------	------	------	------	------	------	------	------	------	------	------	------	------	------	------	------	------	------	------	------	------	------	------	------	------	------	------	------	------	------	------	------	------	------	------	------	------	------	------	------	------	------	------	------	------	------	------	------	------	------	------	------	------	------	------	------	------	------	------	------	------	------	------	------	------	------	------	------	------	------	------	------	------	------	------	------	------	------	------	------	------	------	------	------	------	------	------	------	------	------	------	------	------	------	------	------	------	------	------	------	------	------	------	------	------	------	------	------	------	------	------	------	------	------	------	------	------	------	------	------	------	------	------	------	------	------	------	------	------	------	------	------	------	------	------	------	------	------	------	------	------	------	------	------	------	------	------	------	------	------	------	------	-------

TYPE	C509	C533
MD	27Q	30Q
MP	30Q	33Q

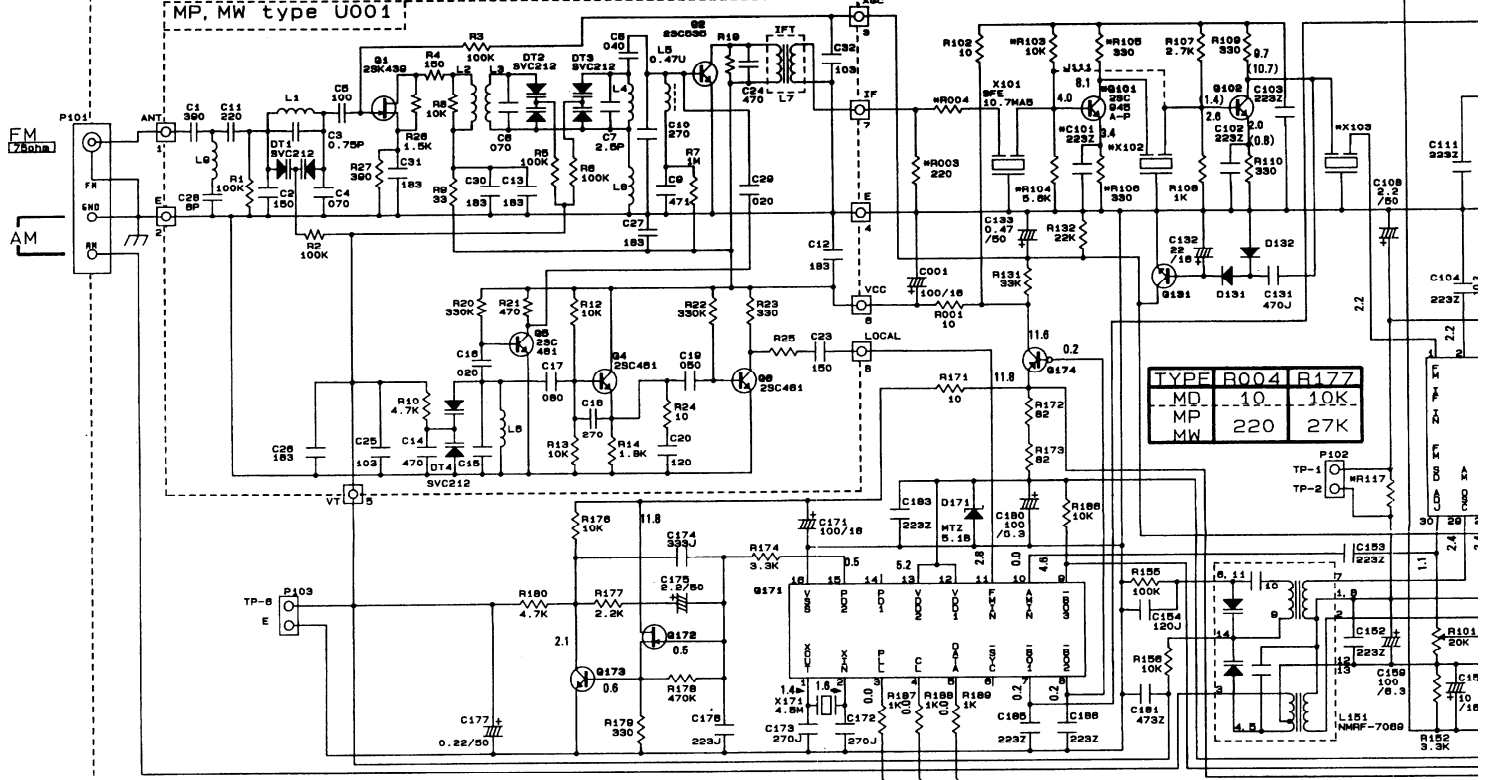
TYPE	C585	C586	C587	C588	C589
MD	NO	NO	NO	NO	NO
MP	YES	YES	YES	YES	YES



SCHEMATIC DIAGRAM

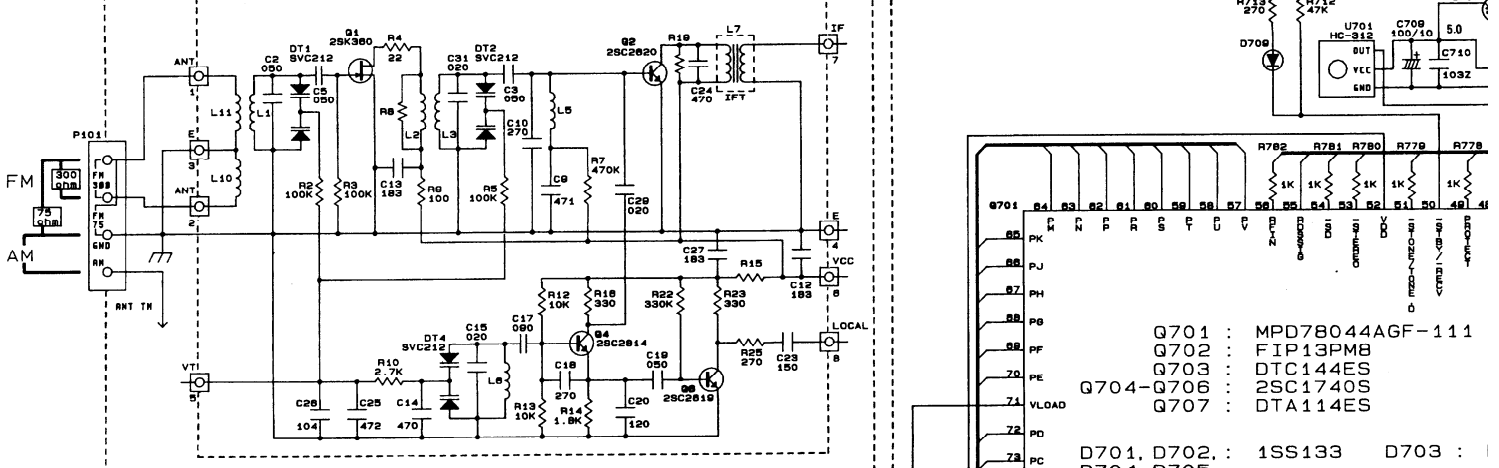
NARF-5400-3, 3A, 3B, 3C

MP, MW type U001



MD type U001

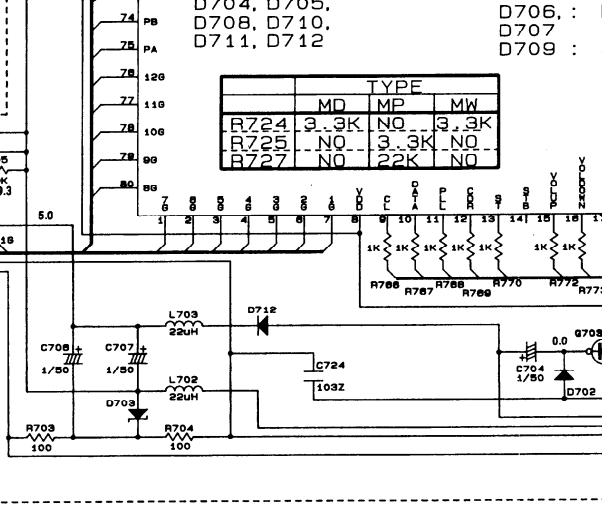
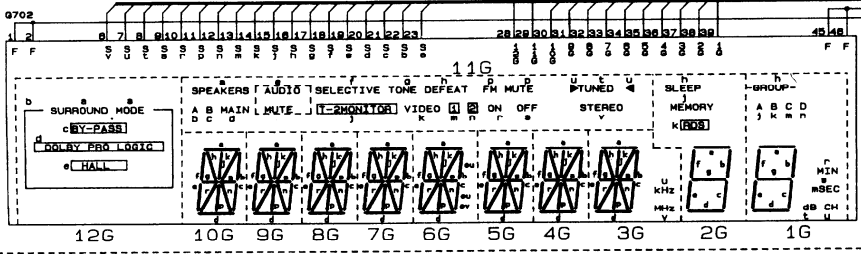
NADIS-5399-3, 3A, 3B, 3C

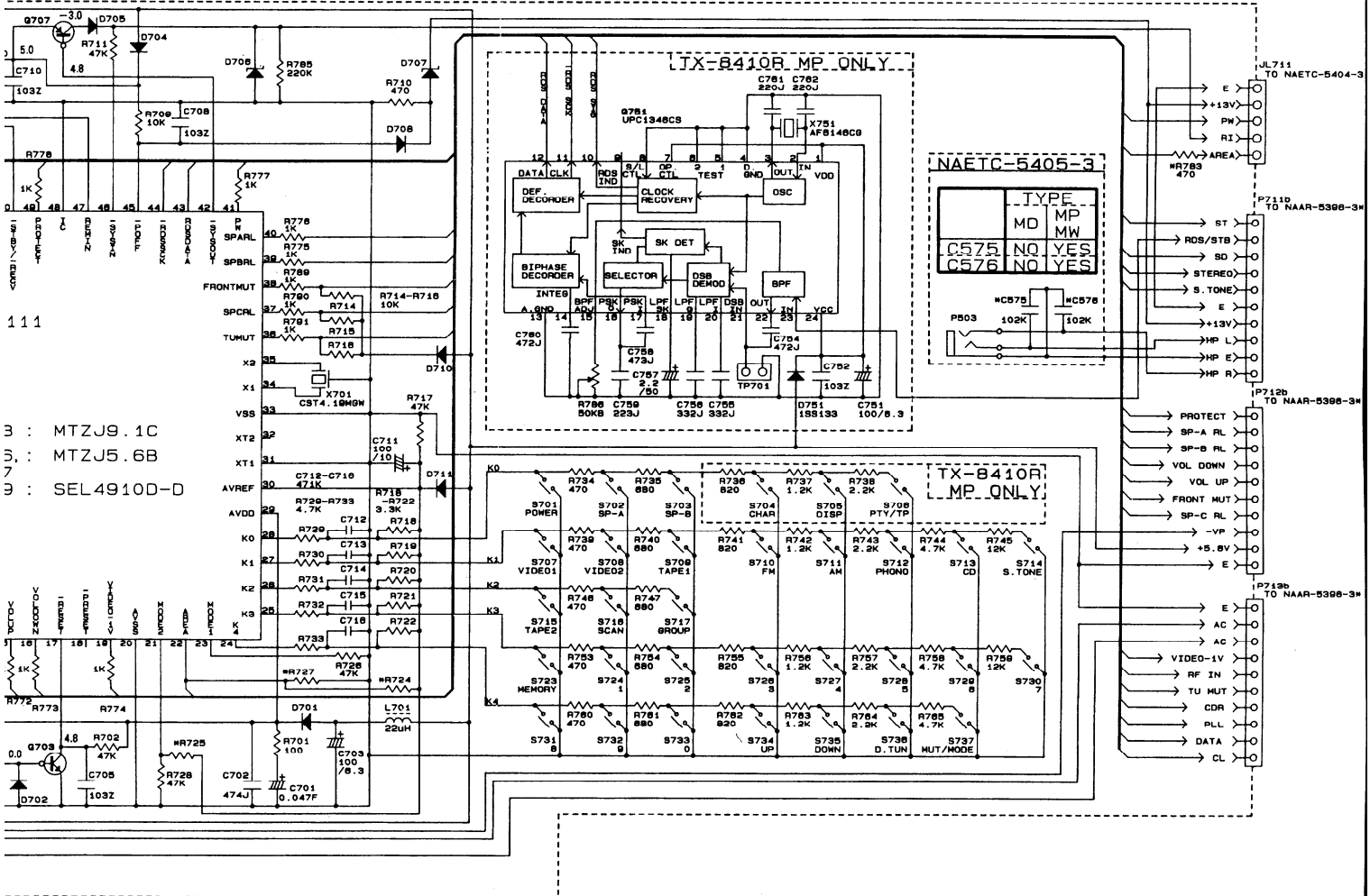
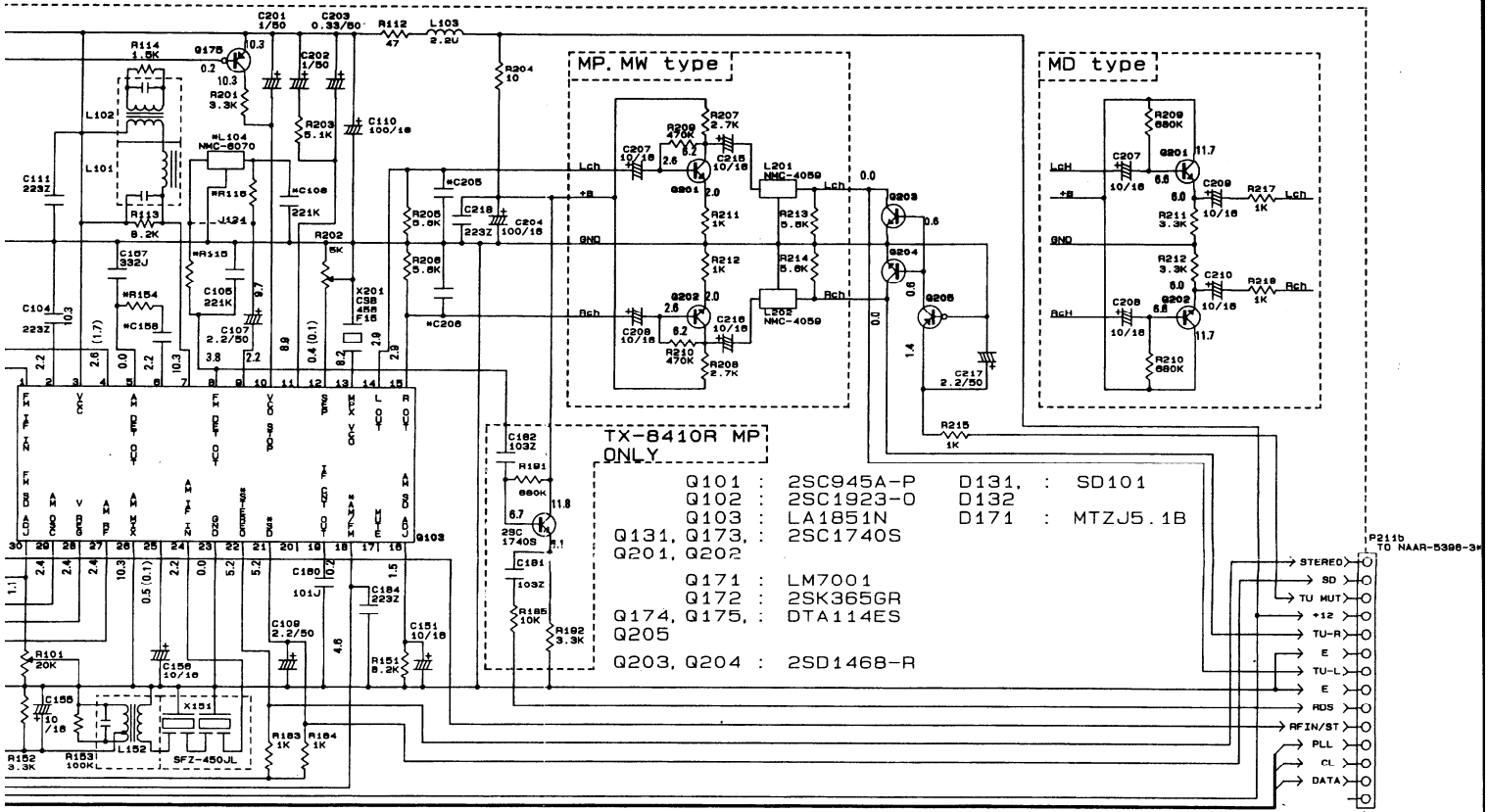


TYPE	R003	R103-R106	C101	Q101	R115	X102	X103	R116
MD	NO	NO	NO	NO	4.7K	NO	SFF10.7MA5	NO
MP	YES	YES	YES	YES	5.6K	SFF10.7MA5	SFF10.7M22A	6.2K
MW	YES	YES	YES	YES	5.6K	SFF10.7MA5	SFF10.7M22A	6.2K

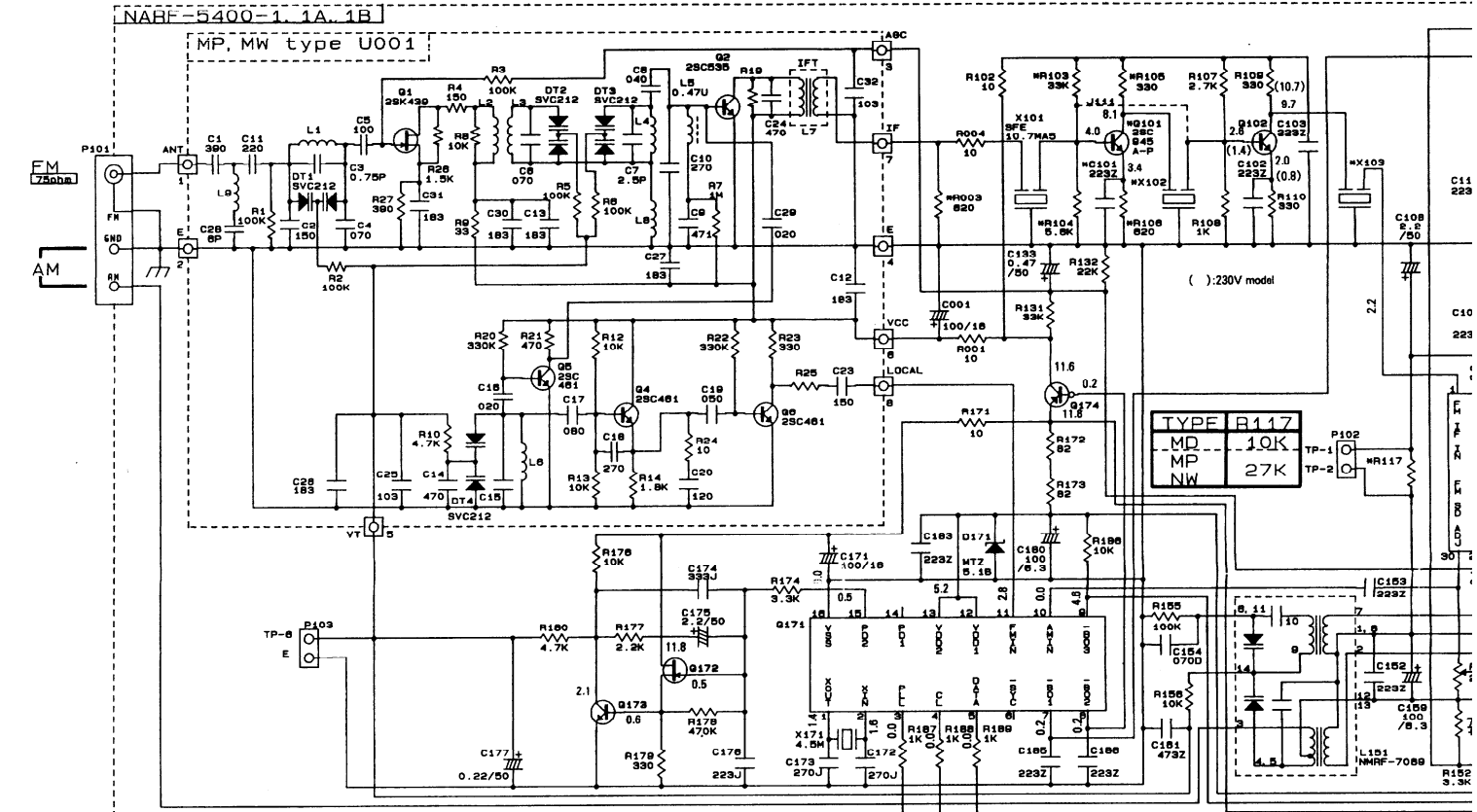
TYPE	C106	L104	R154	C158	C205, C206	R783	R708
MD	NO	NO	.47K	153J	153J	NO	QTP ONLY
MP	YES	YES	100K	103J	103J	NO	QTP ONLY
MW	YES	YES	100K	103J	122J	YES	QTP ONLY

	MD	MP	MW
R724	3.3K	NO	3.3K
R725	NO	3.3K	NO
R727	NO	22K	NO

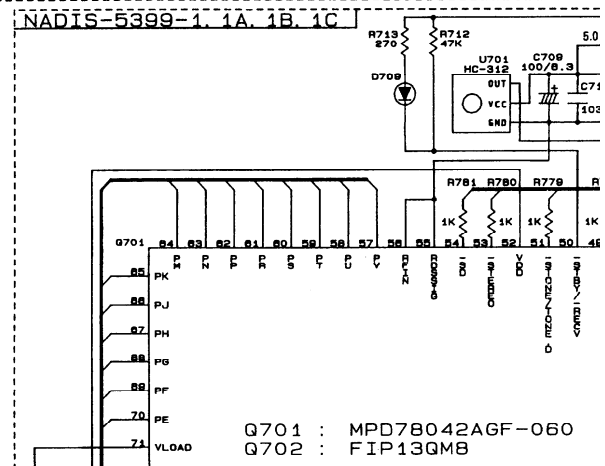
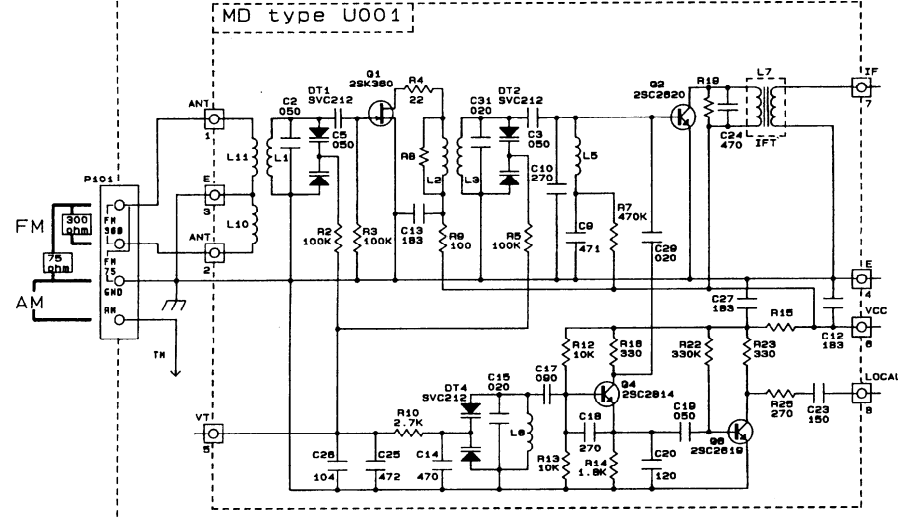




SCHEMATIC DIAGRAM



TYPE B117	
MD	10K
MP	
NW	27K

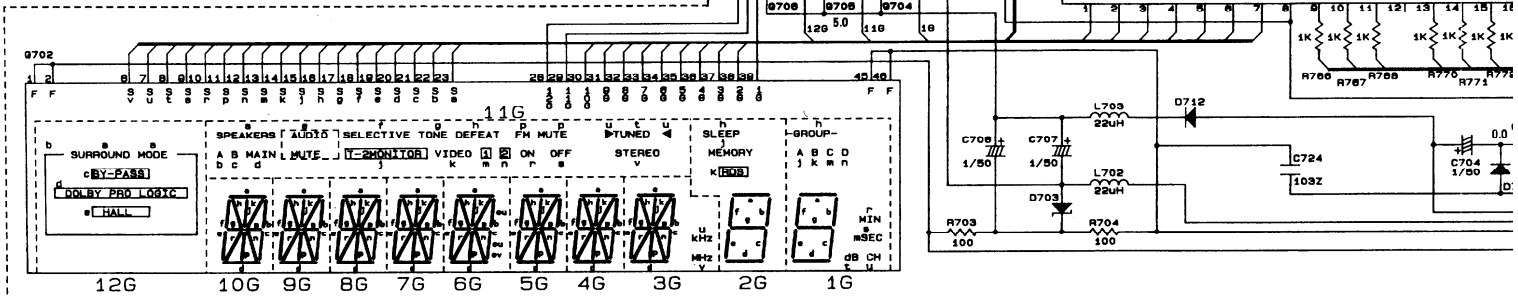


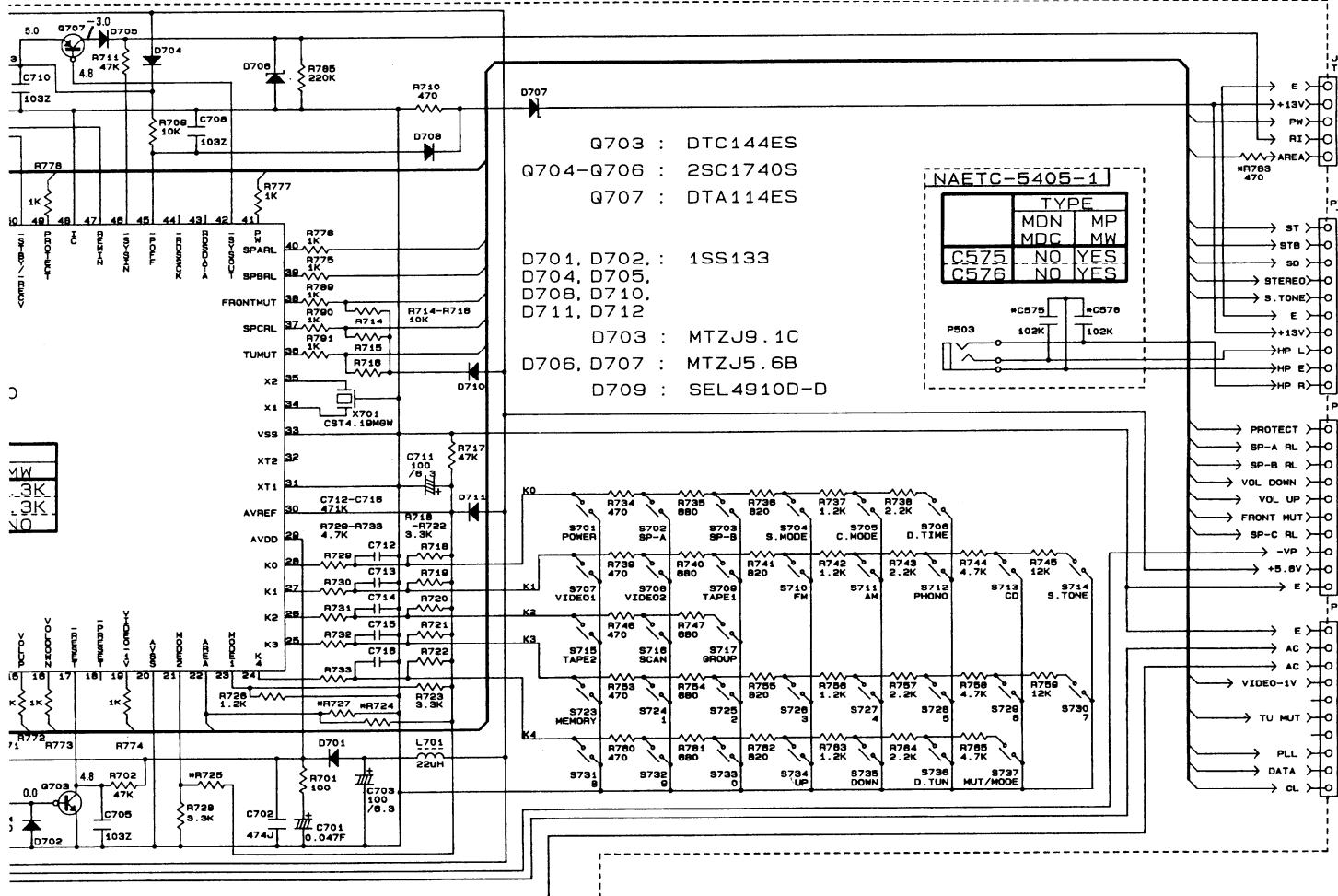
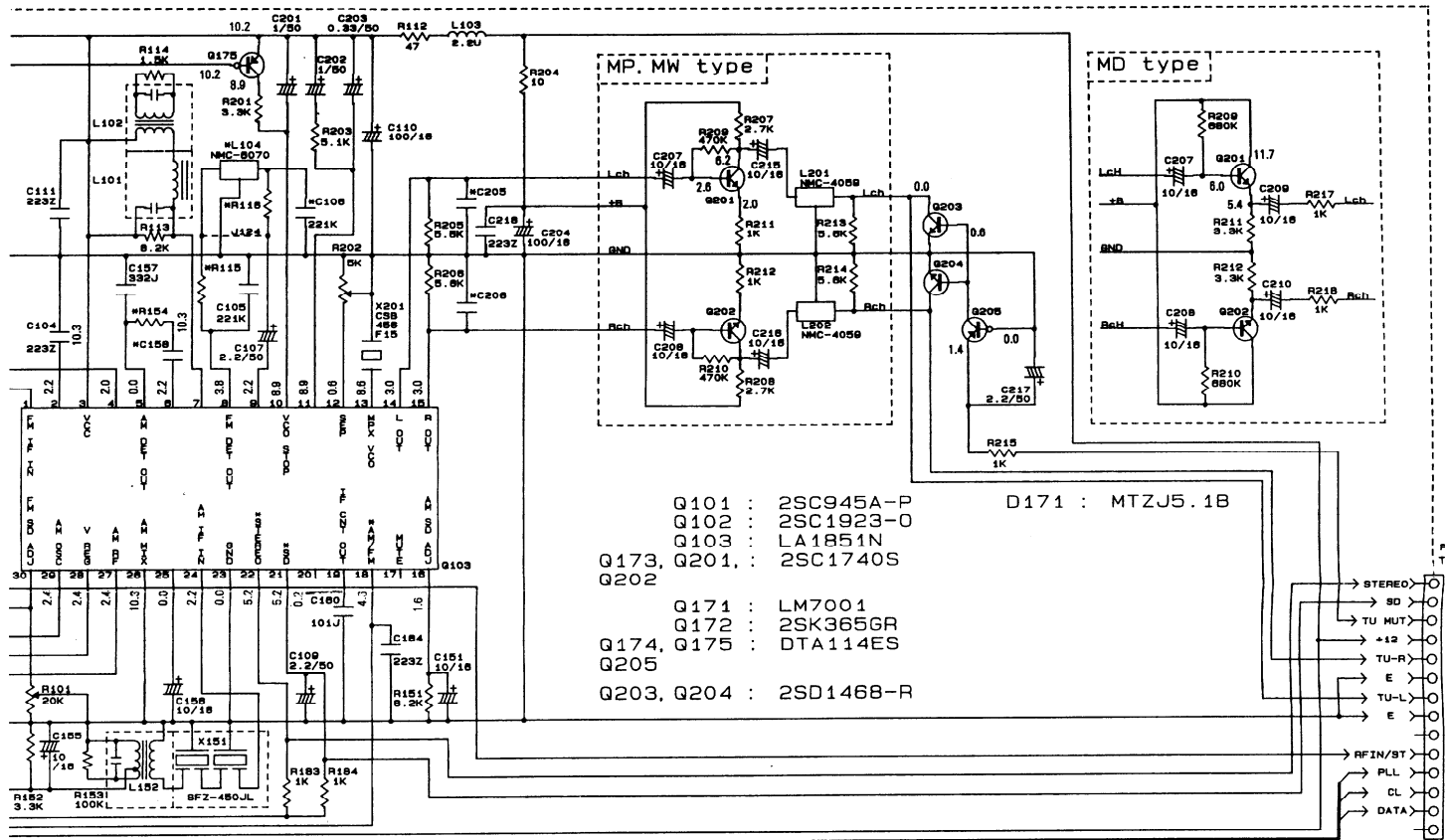
TYPE	R003	R103-R106	C101	Q101	R115	X102	X103	R116
MD	NO	NO	NO	NO	4.7K	NO	SEE 10.7MA5	NO
MP	YES	YES	YES	YES	5.6K	SEE 10.7MA5	SEE 10.7MZA16.2K	
MW	YES	YES	YES	YES	5.6K	SEE 10.7MA5	SEE 10.7MZA16.2K	

TYPE	C106	L104	R154	C158	C205, C206	R783	R708
MD	NO	NO	47K	153J	153J	NO	OTP ONLY
MP	YES	YES	100K	103J	103J	NO	OTP ONLY
MW	YES	YES	100K	103J	122J	YES	OTP ONLY

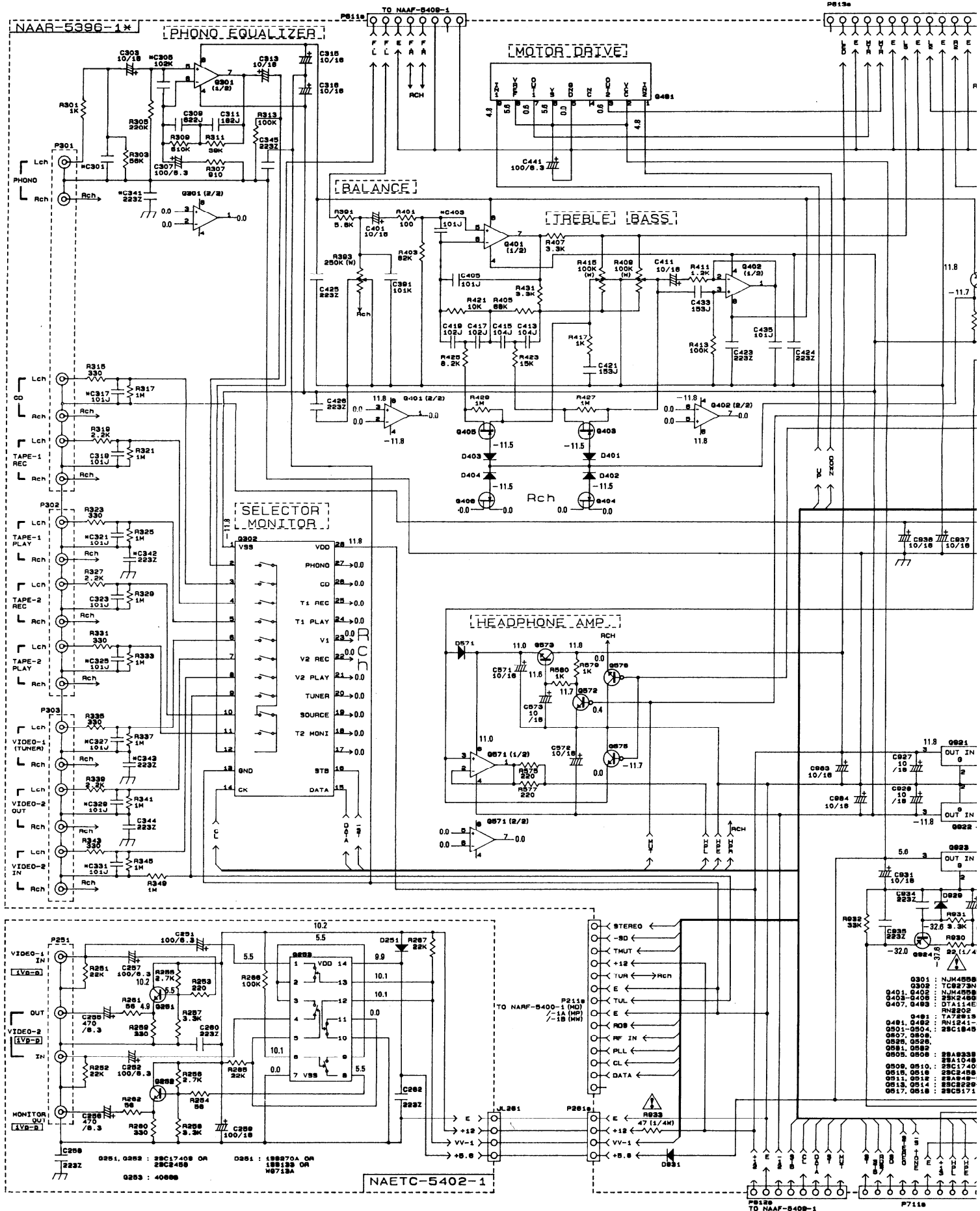
Q701 : MPD7B042AGF-060
Q702 : FIP13QMB

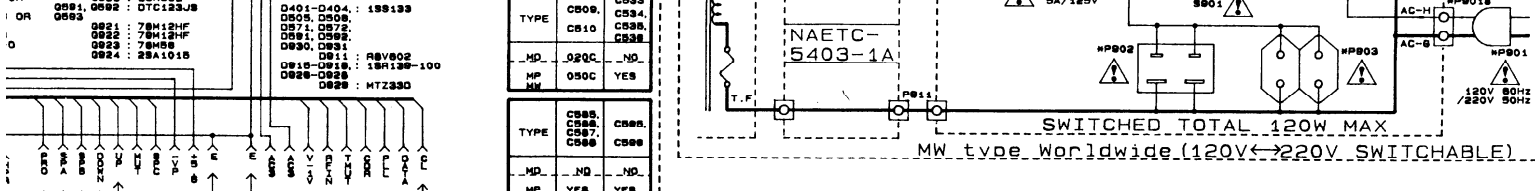
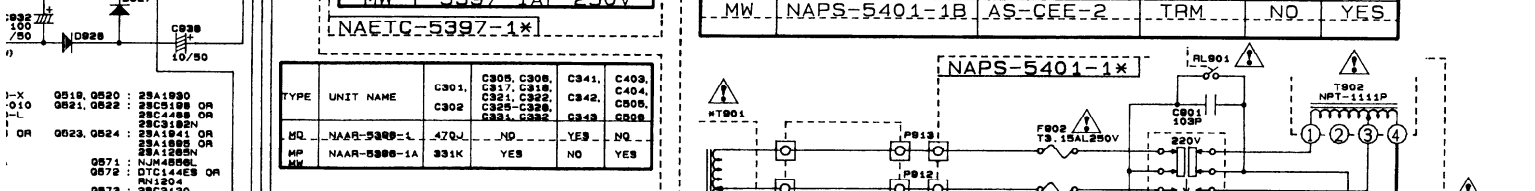
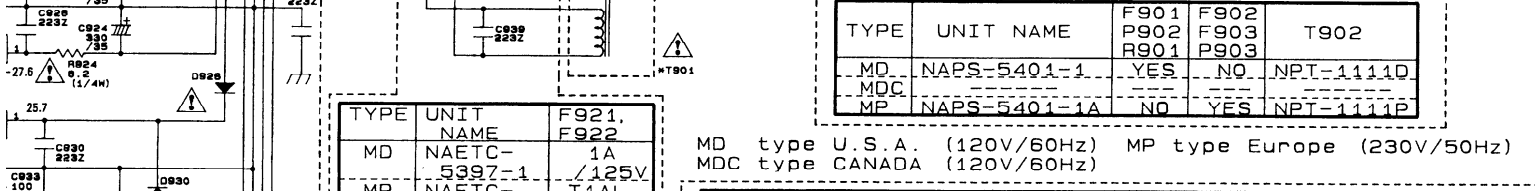
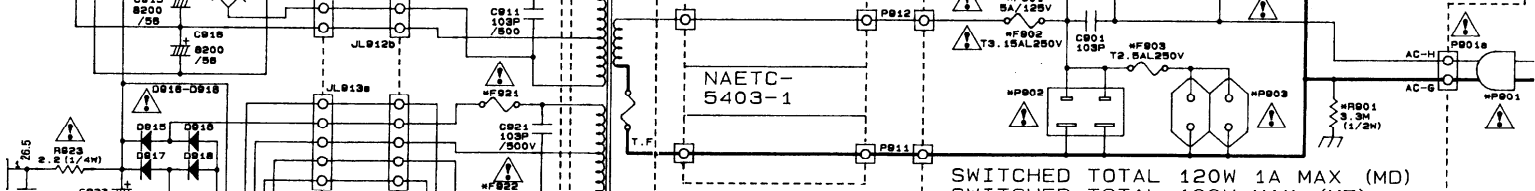
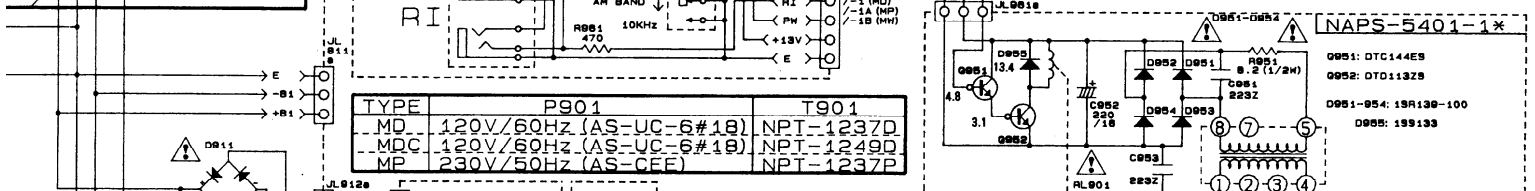
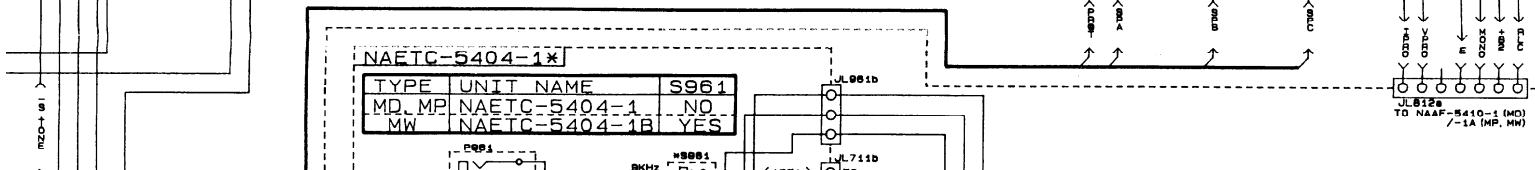
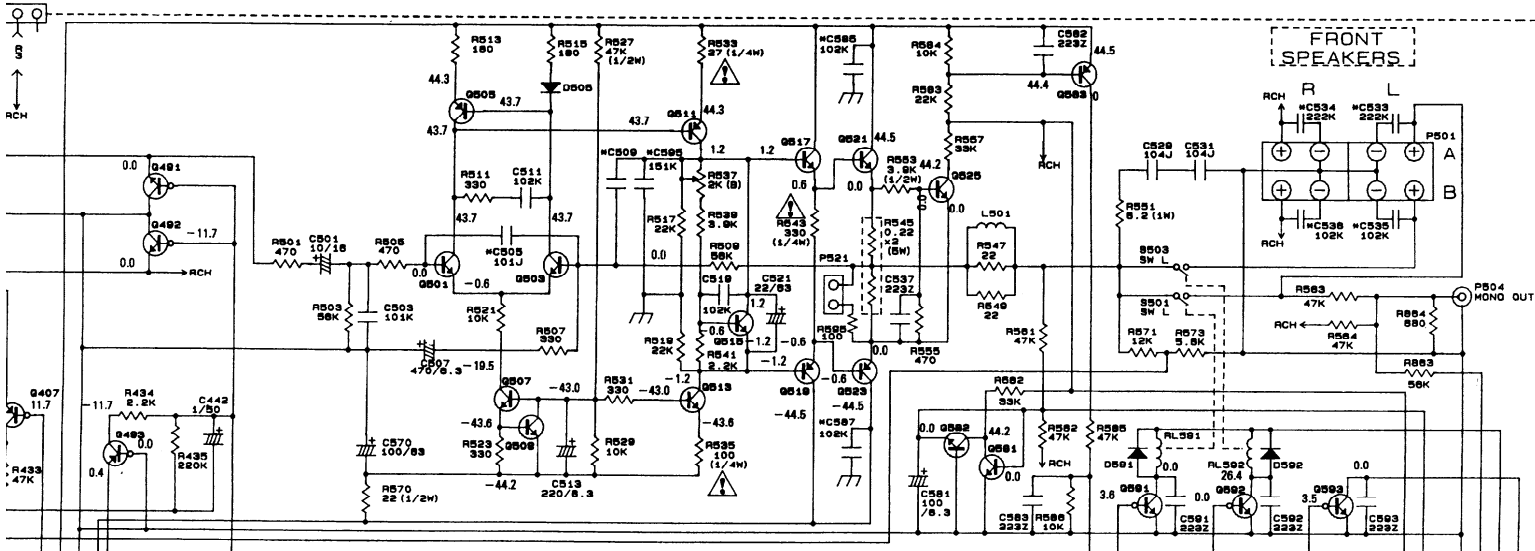
	TYPE			
	MDN	MDC	MP	MW
R724	3.3K	3.3K	NO	3.3K
R725	NO	3.3K	3.3K	3.3K
R727	NO	NO	22K	NO



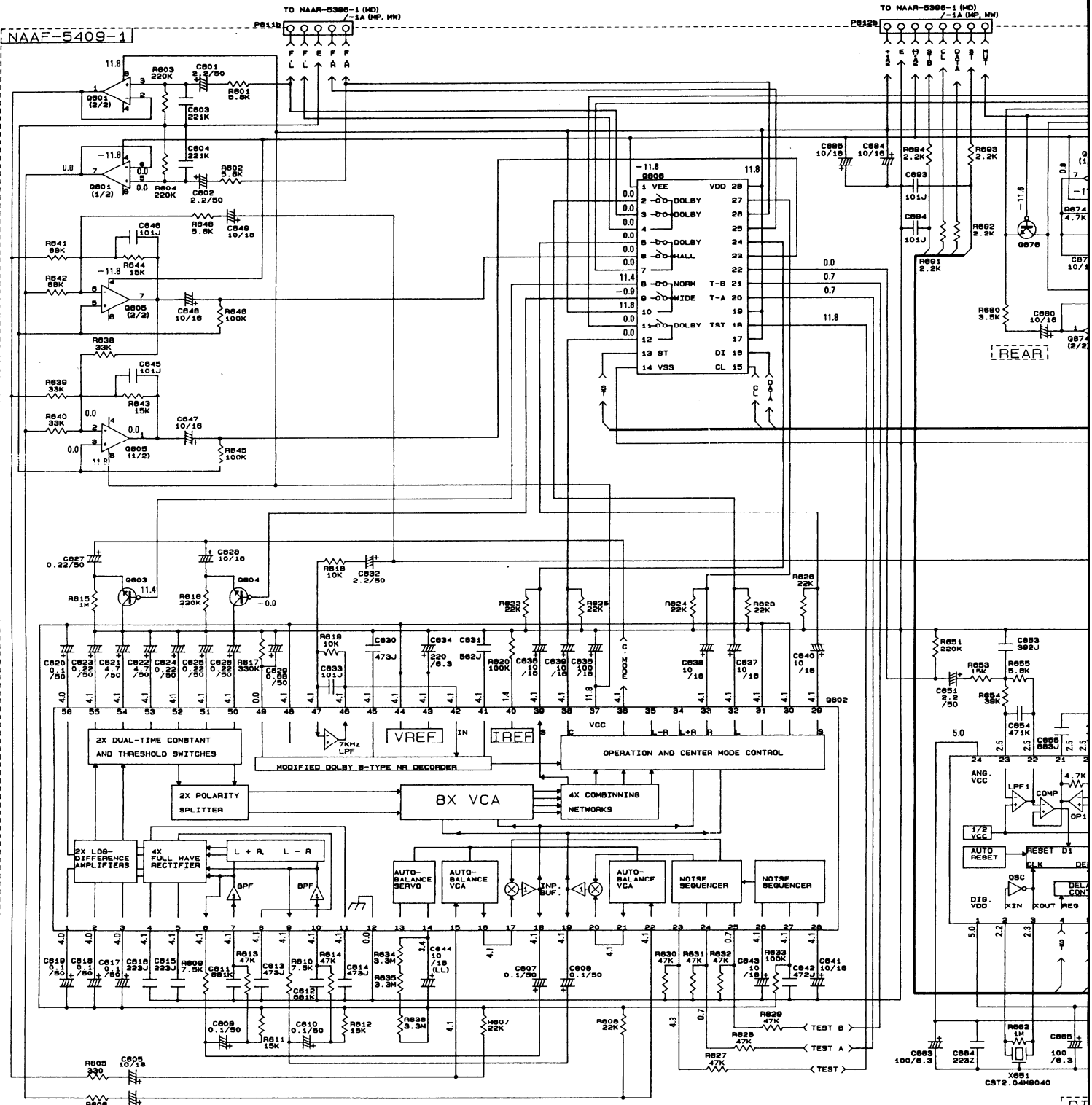


SCHEMATIC DIAGRAM





SCHEMATIC DIAGRAM



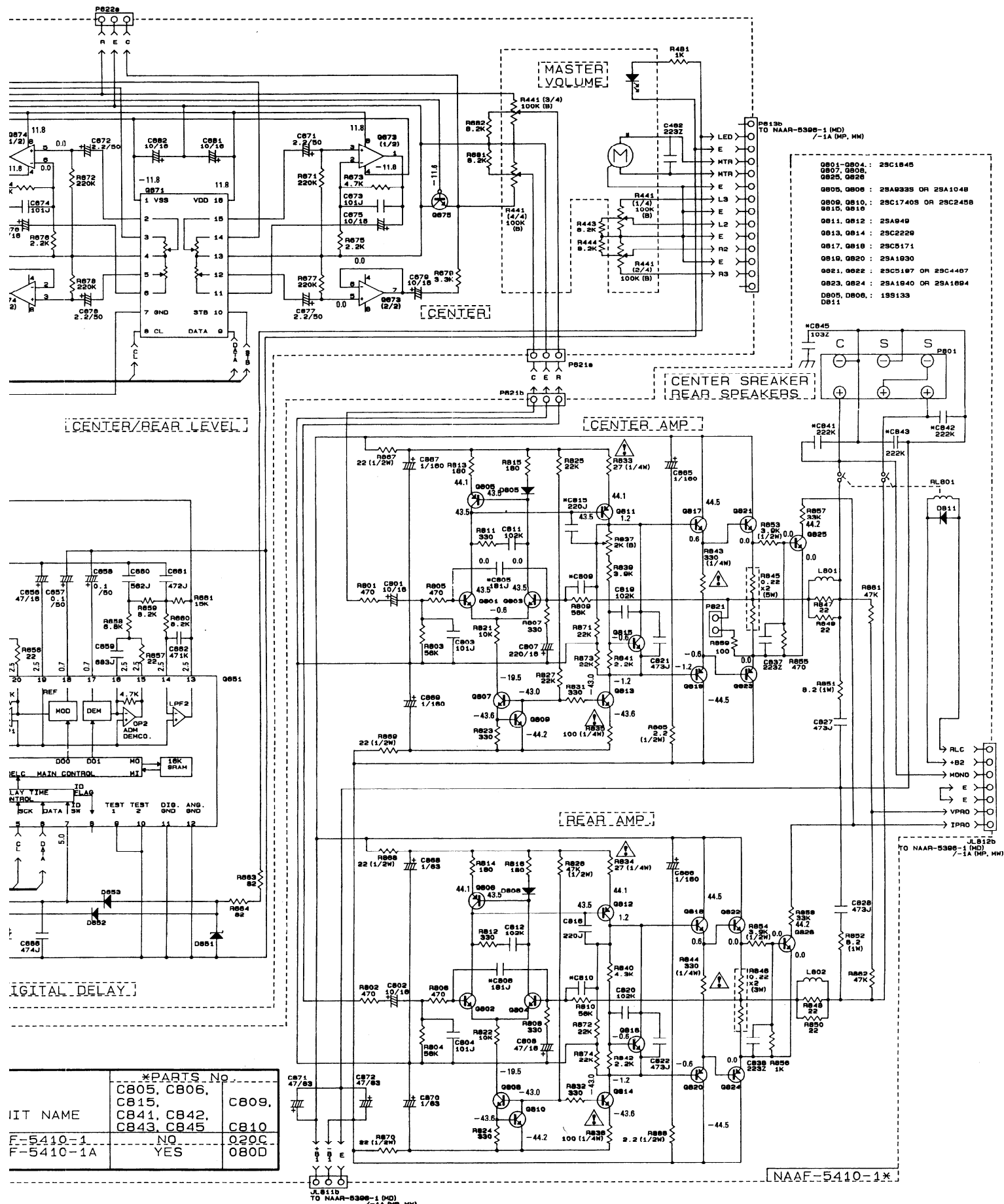
[DOLBY PRO LOGIC DECODER]

TEST	TEST A	TEST B	OUTPUT
H	X	X	TEST OFF
L	L	L	NOISE-L
L	L	H	NOISE-C
L	H	L	NOISE-R
L	H	H	NOISE-S

X: Don't care

- Q601, Q605 : NJM4558L-D OR
- Q673, Q674 : BA15218N
- Q602 : M69032P OR NJM2177L
- Q603, Q604 : RN1241-A
- Q606 : TC9162N OR NJU7311L
- Q651 : M65830P OR NJU9701D
- Q671 : TC9213P
- D651 : MTZJ5.6B
- D652, D653 : 1SS133

TYPE	UNIT
MD	NAAF
MP	NAAF
MW	



- 0801-0804 : 29C1845
- 0807, 0808, 0825, 0826
- 0805, 0806 : 25A0335 OR 25A1048
- 0809, 0810 : 29C17408 OR 29C2458
- 0815, 0816
- 0811, 0812 : 25A049
- 0813, 0814 : 29C2229
- 0817, 0818 : 29C5171
- 0819, 0820 : 29A1830
- 0821, 0822 : 29C5187 OR 29C4407
- 0823, 0824 : 29A1840 OR 29A1894
- 0805, 0806, 19S133
- 0811

*PARTS No.	
C805, C806,	C809.
C815,	C810
C841, C842,	020C
C843, C845	080D
F-5410-1 NO	
F-5410-1A YES	080D

NAAF-5410-1*

PRINTED CIRCUIT BOARD-PARTS LIST

MODEL TX-SV424

MAIN CIRCUIT PC BOARD(NAAR-5396-1/1A)

CIRCUIT NO.	PART NO.	DESCRIPTION	CIRCUIT NO.	PART NO.	DESCRIPTION
	ICs			Diodes	
Q301	222502	NJM4558D-X	D915~D918	22380032	1SR139-100
Q302	22240881	TC9273N-010	D926~D928	22380032	1SR139-100
Q401,Q402	22240247 or 22240293	BA15218N or NJM4558L-D	D929	224473304	MTZJ33D
Q481	22240239	TA7291S	D930,D931	223163	1SS133
Q571	22240752	NJM4556L		Relaies	
Q921	222780125NEC	μ PC78M12AHF	RL591,RL592	25065485	NRL-2P2A-DC24-086
Q922	222790125	79M12HF		Coils	
Q923	222780565JRC	NJM78M56FA	L501,L502	231176S	S-1.3C
	Transistors			Capacitors	
Q403~Q406	2211945	2SK246-GR	C303,C304	354741009	10 μ F,16V,Elect.
Q407	2213510	DTA114ES	C307,C308	354721019	100 μ F,6.3V,Elect.
Q491,Q492	2213631 or 2213632	RN1241-A or RN1241-B	C309,C310	374726224	6200pF \pm 5%,50V,Plastic
Q493	2213510	DTA114ES	C311,C312	374721824	1800pF \pm 5%,50V,Plastic
Q501~Q504	2211732 or 2211733	* 2SC1845-F or * 2SC1845-E	C313~C316	354741009	10 μ F,16V,Elect.
Q505,Q506	2213354	2SA933S-R	C391,C392	374721015	100pF \pm 10%,50V,Plastic
Q507,Q508	2211732 or 2211733	2SC1845-F or 2SC1845-E	C401,C402	354741009	10 μ F,16V,Elect.
Q509,Q510	2213284	2SC1740S-R	C411,C412	354741009	10 μ F,16V,Elect.
Q511,Q512	2211353 or 2211354	2SA940-O or 2SA949-Y	C413~C416	374721044	0.1 μ F \pm 5%,50V,Plastic
Q513,Q514	2211633 or 2211634	2SC2229-O or 2SC2229-Y	C417~C420	374721024	1000pF \pm 5%,50V,Plastic
Q515,Q516	2213284	2SC1740S-R	C421,C422	374721534	0.015 μ F \pm 5%,50V,Plastic
Q517,Q518	2203010 or 2201945	* 2SC5171 or * 2SD1763-E	C433,C434	374721534	0.015 μ F \pm 5%,50V,Plastic
Q519,Q520	2203000 or 2201935	* 2SA1930 or * 2SB1186-E	C435,C436	374721015	100pF \pm 10%,50V,Plastic
Q521,Q522	2203063, 2202524, 2202526,	* 2SC5198-O, * 2SC4468-Y, * 2SC4468-P,	C441	354721019	100 μ F,6.3V,Elect.
Q523,Q524	2202523 or 2202293 2203053, 2202514, 2202516, 2202513 or 2202283	* 2SC4468-O or * 2SC3182N-O * 2SA1941-O, * 2SA1695-Y, * 2SA1695-P, * 2SA1695-O or * 2SA1265N-O	C442	354780109	1 μ F,50V,Elect.
Q525,Q526	2211732 or 2211733	2SC1845-F or 2SC1845-E	C501,C502	354741009	10 μ F,16V,Elect.
Q572	221282	DTC144ES	C503,C504	374721015	100pF \pm 10%,50V,Plastic
Q573	2211164	2SC2120-Y	C507,C508	354724719	470 μ F,6.3V,Elect.
Q575,Q576	2213631 or 2213632	RN1241-A or RN1241-B	C513,C514	354722219	220 μ F,6.3V,Elect.
Q581,Q582	2211732 or 2211733	2SC1845-F or 2SC1845-E	C521,C522	354772209	22 μ F,63V,Elect.
Q583	2211792 or 2211793	2SA992-F or 2SA992-E	C529~C532	374721044	0.1 μ F \pm 5%,50V,Plastic
Q591~Q593	2213640	DTC123JS	C570	354771019	100 μ F,63V,Elect.
Q924	2211455	2SA1015-GR	C571,C573	354741009	10 μ F,16V,Elect.
	Diodes		C572	353741009	10 μ F,16V,Elect.
D401~D404	223163	1SS133	C573	353741009	10 μ F,16V,Elect.
D505,D506	223163	1SS133	C581	354721019	100 μ F,6.3V,Elect.
D571,D572	223163	1SS133	C915,C916	3504287	8200 μ F,56V,Elect.
D591,D592	223163	1SS133	C923	354761029	1000 μ F,35V,Elect.
D911	22380038	RBV602	C924	354763319	330 μ F,35V,Elect.
			C927,C928	354741009	10 μ F,16V,Elect.
			C931	354741009	10 μ F,16V,Elect.
			C932,C933	354781019	100 μ F,50V,Elect.
			C936,C937	354741009	10 μ F,16V,Elect.
			C938	354781009	10 μ F,50V,Elect.
			C983,C984	354741009	10 μ F,16V,Elect.
				Resistors	
			R393	<u>5104288</u>	N11RLC250KWT20Z,Balance
			R409,R415	5104356	N14RLC100KWT20Z,Tone
			R527,R528	443524734	47 kOhm \pm 5%,1/2W,Metal oxide
			R533,R534	4500081	27 Ohm \pm 5%,1/4W,Metal
			R535,R536	4500095	100 Ohm \pm 5%,1/4W,Metal
			R537,R538	5210259	N06HR 2KBC, Trim
			R543,R544	4500107	330 Ohm \pm 5%,1/4W,Metal
			R545,R546	4000132	RGC55 0.22 OHMK, Metal plate
			R551,R552	453630824	8.2 Ohm \pm 5%,1W,Metal
			R553,R554	443523924	3.9 kOhm \pm 5%,1/2W,Metal oxide
			R570	443522204	22 Ohm \pm 5%,1/2W,Metal oxide
			R923	4500055	2.2 Ohm \pm 5%,1/4W,Metal
			R924	4500069	8.2 Ohm \pm 5%,1/4W,Metal
			R927,R930	4500079	22 Ohm \pm 5%,1/4W,Metal
			R933	4500087	47 Ohm \pm 5%,1/4W,Metal

CIRCUIT NO.	PART NO.	DESCRIPTION
	Wire holder	
JL711a	25051089	NSCT-5P876
	Plugs	
P711b~P713b	25055695	NPLG-10P615
	Switches	
S701~S717	25035652	NPS-111-S604
S723~S737	25035652	NPS-111-S604
	Holder	
Q702a	27190937AY	FL

TUNER CIRCUIT PC BOARD(NARF-5400-1/1A/1B)

CIRCUIT NO.	PART NO.	DESCRIPTION
	Front end	
U001	240098Y	ENV172C6G1 <D>
	240103Y	ENV172A2G1 <P/W>
	ICs	
Q103	22240749Y	LA1851N
Q171	22240090	LM7001
	Transistors	
Q101	2210746	2SC945A-P <P/W>
Q102	2211723	2SC1923-O
Q172	2212445	2SK365-GR
Q173	2213284	2SC1740S-R
Q174,Q175	2213510	DTA114ES
Q201,Q202	2213284	2SC1740S-R
Q203,Q204	2212794	2SD1468-R
Q205	2213510	DTA114ES
	Diode	
D171	224470512	MTZJ5.1B
	Coils and transformers	
L101	233480AY	NFIF-4090
L102	233481Y	NFIF-4091
L103	233454M022	NCH-1452
L104	233383	NMC-6070 <P/W>
L151	231226Y	NMRF-7069
L152	232166Y	NMIF-4089
L201,L202	233355A	NMC-4059 <P/W>
	Ceramic filters	
X101	3010071	SFE10.7MA5
X102	3010071	SFE10.7MA5 <P/W>
X103	3010071	SFE10.7MA5 <D>
	3010130	SFE10.7MZ2A <P/W>
X151	3010123	SFZ-450JL
	Resonators	
X171	3010158 or 3010141	XTL7.2M or XTL7.2M,Crystal
X201	3010227Y	CSB456F15,Ceramic
	Capacitors	
C001	354741019	100 μ F,16V,Elect.
C107-C109	354780229	2.2 μ F,50V,Elect.
C110	354741019	100 μ F,16V,Elect.
C133	354784799	0.47 μ F,50V,Elect.
C151	354741009	10 μ F,16V,Elect.
C155,C156	354741009	10 μ F,16V,Elect.
C157	374723324	3300pF \pm 5%,50V,Plastic
C158	374721534	0.015 μ F \pm 5%,50V,Plastic <D>
	374721034	0.01 μ F \pm 5%,50V,Plastic <P/W>
C159	354721019	100 μ F,6.3V,Elect.
C171	354741019	100 μ F,16V,Elect.
C174	374723334	0.033 μ F \pm 5%,50V,Plastic

CIRCUIT NO.	PART NO.	DESCRIPTION
	Terminals	
P301~P303	25045300	NPJ-6PDBL159
P501	25060224	NTM-8PDML146
P504	25045302	NPJ-1PDBL161
	Sockets	
P711a~P713a	25051046	NSCT-10P833
	Plugs	
P211a,P613a	25055652	NPLG-14P608
P611a	25055678	NPLG-8P634
P612a	25055649	NPLG-8P605
	Wire holders	
JL261a	25051088	NSCT-4P875
JL811a	25051107	NSCT-3P894
JL812a	25051111	NSCT-7P898
JL912a	25051110	NSCT-4P895
JL913a	25051109	NSCT-5P896
	Radiators	
Q921a	27160209	RAD-67
D911a	27160227	RAD-076

POWER SUPPLY CIRCUIT PC BOARD(NAETC-5397-1/1A)

CIRCUIT NO.	PART NO.	DESCRIPTION
F921,F922	252156Y	Δ 1A-UL/T-237, Secondary fuse <D>
	252070	Δ 1A-SE-EAK, Secondary fuse <P/W>
F921a,F922a	25050065	Δ YSH403T,Fuseholder
JL912b	25051108	NSCT-4P895,Wire holder
JL913b	25051109	NSCT-5P896,Wire holder
A961	29360398	Δ Fuse label <P/W>

DISPLAY CIRCUIT PC BOARD(NADIS-5399-1/1A/1B/1C)

CIRCUIT NO.	PART NO.	DESCRIPTION
	Remote sensor	
U701	24130010	HC-312
	IC	
Q701	22240901	μ PD78042AGF-060
	FL tube	
Q702	212143	FIP13QM8
	Transistors	
Q703	221282	DTC144ES
Q704~Q706	2213284	2SC1740S-R
Q707	2213510	DTA114ES
	Diodes	
D701,D702	223163	1SS133
D703	224470913	MTZJ9.1C
D704,D705	223163	1SS133
D706,D707	224470562	MTZJ5.6B
D708	223163	1SS133
D709	225291D	SEL4910D-D,LED
D710~D712	223163	1SS133
	Coils	
L701~L703	233454K220	NCH-1452,220K
	Resonator	
X701	3010163	CST4.19MGW,Ceramic
	Capacitors	
C701	3000075	0.047F, 5.5V, Super
C702	375524744	0.47 μ F \pm 5%,50V,Plastic
C703	354721019	100 μ F,6.3V,Elect.
C704,C706,C707	354780109	1 μ F,50V,Elect.
C709,C711	354721019	100 μ F,6.3V,Elect.

CIRCUIT NO.	PART NO.	DESCRIPTION
Capacitors		
C175	354780229	2.2 μ F,50V,Elect.
C176	374722234	0.022 μ F \pm 5%,50V,Plastic
C177	354782299	0.22 μ F,50V,Elect.
C180	354721019	100 μ F,6.3V,Elect.
C201,C202	354780109	1 μ F,50V,Elect.
C203	354783399	0.33 μ F,50V,Elect.
C204	354741019	100 μ F,16V,Elect.
C205,C206	374721534	0.015 μ F \pm 5%,50V,Plastic <D>
	374721034	0.01 μ F \pm 5%,50V,Plastic <P>
	374721234	0.012 μ F \pm 5%,50V,Plastic <W>
C207~C210	354741009	10 μ F,16V,Elect.
C213~C216	354741009	10 μ F,16V,Elect. <P/W>
C217	354780229	2.2 μ F,50V,Elect.
Resistors		
R101	5210263	N06HR 20KBC, Trim
R202	5210261	N06HR 5KBC, Trim
Terminals		
P101	25060160	NTM-4PDML086 <D>
	25060117	NTM-2PDML051 <P/W>
Socket		
P211b	25050986	NSCT-14P773
Shield plate		
	27150346	<P/W>

POWER SUPPLY CIRCUIT PC BOARD(NAPS-5401-1/1A/1B/1C)

CIRCUIT NO.	PART NO.	DESCRIPTION
Transistors		
Q951	221282	DTC144ES
Q952	2213650	DTD113ZS
Diodes		
D951~D954	22380032	1SR139-100
D955	223163	1SS133
Capacitors		
C901	3500191Y	Δ DE7150FZ103PAC400V/125V
C952	354742219	220 μ F,16V,Elect.
Resistors		
R901	431523355	Δ 3.3 MOhm \pm 20%,1/2W,Solid <D>
R951	453530824	8.2 Ohm \pm 5%,1/2W,Metal
Fuses		
F901	252164Y	Δ 5A-UL/T-237, Primary <D/W>
F902	252076	Δ 3.15A-SE-EAK, Primary <P/W>
F903	252075	Δ 2.5A-SE-EAK, Primary <P>
Fuseholders		
F901a	25050065	Δ YSH403T <D/W>
F902a	25050065	Δ YSH403T <P/W>
F903a	25050065	Δ YSH403T <P>
Socket		
JL961a	25051087	NSCT-3P874
AC outlet		
P902	25051126	Δ NSCT-4P913 <D>
P903	25051125	Δ NSCT-4P912 <P/W>
Plug		
P901a	25055675	NPLG-2P631 <D/P>
Relay		
RL901	25065483	Δ NRL-1P5A-DC12-084
Power transformer		
T902	2300670A	Δ NPT-1111D <D>
	2300671AY	Δ NPT-1111P <P>
	2300672AY	Δ NPT-1111DG <W>

CIRCUIT NO.	PART NO.	DESCRIPTION
S901	25065437	NSS-22157P, Voltage selector <W>

VIDEO CIRCUIT PC BOARD(NAETC-5402-1)

CIRCUIT NO.	PART NO.	DESCRIPTION
Transistors		
Q251,Q252	2212115 or 2213284	2SC2458-GR or 2SC1740S-R
IC		
Q253	222840661	4066B
Diode		
D251	223163	1SS133
Capacitors		
C251,C252	354721019	100 μ F,6.3V,Elect.
C255,C256	354724719	470 μ F,6.3V,Elect.
C257	354721019	100 μ F,6.3V,Elect.
C259	354741019	100 μ F,16V,Elect.
Wire trap		
JL261b	25055625	NPLG-4P587
Terminal		
P251	25045339	NPJ-4PDYE190

RI TERMINAL PC BOARD(NAETC-5404-1/1A)

CIRCUIT NO.	PART NO.	DESCRIPTION
P961	25045330	NPJ-2PDBL184,Terminal RI
JL711b	25055626	NPLG-5P588,Wire trap
JL961b	25051087	NSCT-3P874,Wire holder
S961	25065286	NSS-22112,Band switch <W>

HEADPHONE TERMINAL PC BOARD(NAETC-5405-1/1A)

CIRCUIT NO.	PART NO.	DESCRIPTION
P503	25045255	YKB21-5009,Headphone terminal

SURROUND CIRCUIT PC BOARD(NAAF-5409-1)

CIRCUIT NO.	PART NO.	DESCRIPTION
ICs		
Q601,Q605	22240247 or 22240293	BA 15218N or NJM4558L-D
Q673,Q674	22240683 or 22240692	NJM2177L or M69032P
Q602	22240683 or 22240692	NJM2177L or M69032P
Q606	22240398 or 22240751	TC9162N or NJU7311L
Q651	22240686 or 22240687	M65830P or NJU9701D
Q671	22240266	TC9213P
Transistors		
Q603,Q604	2213631	RN1241-A
Q675,Q676	2213631	RN1241-A
Diodes		
D651	224470562	MTZJ5.6B
D652,D653	223163	1SS133
Capacitors		
C601,C602	354780229	2.2 μ F,50V,Elect.
C605,C606	354741009	10 μ F,16V,Elect.
C607~C610	354781099	0.1 μ F,50V,Elect.
C613,C614	374724734	0.047 μ F \pm 5%,50V,Plastic
C615,C616	374722234	0.022 μ F \pm 5%,50V,Plastic
C617~C620	354781099	0.1 μ F,50V,Elect.
C621,C622	354780479	4.7 μ F,50V,Elect.

CIRCUIT NO.	PART NO.	DESCRIPTION
	Capacitors	
C623~C627	354782299	0.22 μ F,50V,Elect.
C628	354741009	10 μ F,16V,Elect.
C629	354786899	0.68 μ F,50V,Elect.
C630	374724734	0.047 μ F \pm 5%,50V,Plastic
C631	374725624	5600pF \pm 5%,50V,Plastic
C632	354780229	2.2 μ F,50V,Elect.
C634	354722219	220 μ F,6.3V,Elect.
C635	354741019	100 μ F,16V,Elect.
C636~C641	354741009	10 μ F,16V,Elect.
C642	374724724	4700pF \pm 5%,50V,Plastic
C643	354741009	10 μ F,16V,Elect.
C644	391141007	10 μ F,16V,Elect.
C647~C649	354741009	10 μ F,16V,Elect.
C651	354780229	2.2 μ F,50V,Elect.
C653	374723924	3900pF \pm 5%,50V,Plastic
C655	374726834	0.068 μ F \pm 5%,50V,Plastic
C656	354744709	47 μ F,16V,Elect.
C657,C658	354781099	0.1 μ F,50V,Elect.
C659	374726834	0.068 μ F \pm 5%,50V,Plastic
C660	374725624	5600pF \pm 5%,50V,Plastic
C661	374724724	4700pF \pm 5%,50V,Plastic
C663,C665	354721019	100 μ F,6.3V,Elect.
C666	375524744	0.47 μ F \pm 5%,50V,Plastic
C671,C672	354780229	2.2 μ F,50V,Elect.
C675,C676	354741009	10 μ F,16V,Elect.
C677,C678	354780229	2.2 μ F,50V,Elect.
C679~C682	354741009	10 μ F,16V,Elect.
C684,C685	354741009	10 μ F,16V,Elect.
	Resonator	
X651	3010217	CST2.04MG040,Ceramic
	Resistor	
R441	5104332Y	N16RQL100KBT25F
	Sockets	
P611b	25051127	NSCT-8P914
P612b	25050983Y	NSCT-8P770
P613b	25050986Y	NSCT-14P773
P621a	2000802UL	NSAS-6P758
	Plug	
P622a	25055405	NPLG-3P387

**CENTER AND REAR AMPLIFIER CIRCUIT PC BOARD
(NAAF-5410-1/1A)**

CIRCUIT NO.	PART NO.	DESCRIPTION
	Transistors	
Q801~Q804	2211732 or 2211733	* 2SC1845-F or * 2SC1845-E
Q805,Q806	2213354	2SA933S-R
Q807,Q808	2211732 or	2SC1845-F or
Q825,Q826	2211733	2SC1845-E
Q809,Q810	2213284	2SC1740S-R
Q811,Q812	2211353	2SA940-O
Q813,Q814	2211633	2SC2229-O
Q815,Q816	2213284	2SC1740S-R
Q817,Q818	2203010	2SC5171
Q819,Q820	2203000	2SA1930
Q821,Q822	2203043, 2202254, 2202256, 2202253 or 2202503	* 2SC5197-O, * 2SC4467-Y, * 2SC4467-P, * 2SC4467-O or * 2SC3181N-O

CIRCUIT NO.	PART NO.	DESCRIPTION
	Transistors	
Q823,Q824	2203033, 2202244, 2202246, 2202243 or 2202493	* 2SA1940-O, * 2SA1694-Y * 2SA1694-P * 2SA1694-O or * 2SA1264N-O
	Diodes	
D805,D806	223163	1SS133
D811	223163	1SS133
	Coils	
L801,L802	231176S	S-1.3C
	Capacitors	
C801,C802	354741009	10 μ F,16V,Elect.
C807	354742219	220 μ F,16V,Elect.
C808	354744709	47 μ F,16V,Elect.
C821,C822	374724734	0.047 μ F \pm 5%,50V,Plastic
C827,C828	374724734	0.047 μ F \pm 5%,50V,Plastic
C865~C867	354700109	1 μ F,160V,Elect.
C868,C870	354770109	1 μ F,63V,Elect.
C869	354700109	1 μ F,160V,Elect.
	Resistors	
R826	443524734	47 kOhm \pm 5%,1/2W,Metal oxide
R833,R834	4500081	27 Ohm \pm 5%,1/4W,Metal
R835,R836	4500095	100 Ohm \pm 5%,1/4W,Metal
R837	5215043	N08HR 2KBC, Trim
R843,R844	4500107	330 Ohm \pm 5%,1/4W,Metal
R845	4000132	RGC55 0.22 OHMK, Metal plate
R846	4000131	RGC22 0.22 OHMK, Metal plate
R851,R852	453630824	8.2 Ohm \pm 5%,1W,Metal
R853,R854	443523924	3.9 kOhm \pm 5%,1/2W,Metal oxide
R865,R866	453502204	22 Ohm \pm 5%,1/2W,Metal
R867~R870	443522204	22 Ohm \pm 5%,1/2W,Metal oxide
	Relay	
RL801	25065485	NRL-2P2A-DC24-086
	Terminal	
P801	25060191	NTM-6PDML113
	Plug	
P621b	25055234	NPLG-3P218
	Wire traps	
JL811b	25050280	NSCT-3P108
JL812b	25050284	NSCT-7P112

NOTE: <D>:120V model only
<P>:230V model only
<W>:Worldwide model only

CAUTION: Replacement for transistor of mark *, if necessary,
must be made from the same beta group (HFE) as
the original type.

NOTE: THE COMPONENTS IDENTIFIED BY MARK Δ
ARE CRITICAL FOR RISK OF FIRE AND
ELECTRIC SHOCK. REPLACE ONLY WITH
PART NUMBER SPECIFIED.

PRINTED CIRCUIT BOARD – PARTS LIST**MODEL TX-8410/TX-8410R****MAIN CIRCUIT PC BOARD(NAAR-5396-3/3A)**

CIRCUIT NO.	PART NO.	DESCRIPTION	CIRCUIT NO.	PART NO.	DESCRIPTION
		ICs			
Q301	222502	NJM4558D-X	L501,L502	231176S	S-1.3C
Q302	22240881	TC9273N-010			
Q401,Q402	22240247 or 22240293	BA15218N or NJM4558L-D	C303,C304	354741009	10 μ F,16V,Elect.
Q481	22240239	TA7291S	C307,C308	354721019	100 μ F,6.3V,Elect.
Q571	22240752	NJM4556L	C309,C310	374726224	6200pF \pm 5%,50V,Plastic
Q921	222780125NEC	μ PC78M12AHF	C311,C312	374721824	1800pF \pm 5%,50V,Plastic
Q922	222790125	79M12HF	C313~C316	354741009	10 μ F,16V,Elect.
Q923	222780565JRC	NJM78M56FA	C391,C392	374721015	100pF \pm 10%,50V,Plastic
		Transistors	C401,C402	354741009	10 μ F,16V,Elect.
Q403~Q406	2211945	2SK246-GR	C411,C412	354741009	10 μ F,16V,Elect.
Q407	2213510	DTA114ES	C413~C416	374721044	0.1 μ F \pm 5%,50V,Plastic
Q491,Q492	2213631 or 2213632	RN1241-A or RN1241-B	C417~C420	374721024	1000pF \pm 5%,50V,Plastic
Q493	2213510	DTA114ES	C421,C422	374721534	0.015 μ F \pm 5%,50V,Plastic
Q501~Q504	2211732 or 2211733	* 2SC1845-F or * 2SC1845-E	C433,C434	374721534	0.015 μ F \pm 5%,50V,Plastic
Q505,Q506	2213354	2SA933S-R	C435,C436	374721015	100pF \pm 10%,50V,Plastic
Q507,Q508	2211732 or 2211733	2SC1845-F or 2SC1845-E	C441	354721019	100 μ F,6.3V,Elect.
Q509,Q510	2213284	2SC1740S-R	C442	354780109	1 μ F,50V,Elect.
Q511,Q512	2211353 or 2211354	2SA940-O or 2SA949-Y	C501,C502	354741009	10 μ F,16V,Elect.
Q513,Q514	2211633 or 2211634	2SC2229-O or 2SC2229-Y	C503,C504	374721015	100pF \pm 10%,50V,Plastic
Q515,Q516	2213284	2SC1740S-R	C507,C508	354724719	470 μ F,6.3V,Elect.
Q517,Q518	2203010 or 2202034	* 2SC5171 or * 2SD1763A-D	C513,C514	354722219	220 μ F,6.3V,Elect.
Q519,Q520	2203000 or 2202024	* 2SA1930 or * 2SB1186A-D	C521,C522	354772209	22 μ F,63V,Elect.
Q521,Q522	2202823 or 2201483	* 2SC5200-O or * 2SC3281-O	C529~C532	374721044	0.1 μ F \pm 5%,50V,Plastic
Q523,Q524	2202813 or 2201473	* 2SA1943-O or * 2SA1302-O	C570	354791019	100 μ F,100V,Elect.
Q525,Q526	2211633 or 2211634	2SC2229-O or 2SC2229-Y	C571,C573	354741009	10 μ F,16V,Elect.
Q572	221282	DTC144ES	C572	353741009	10 μ F,16V,Elect.
Q573	2211164	2SC2120-Y	C581	354721019	100 μ F,6.3V,Elect.
Q575,Q576	2213631 or 2213632	RN1241-A or RN1241-B	C915,C916	3504281	10000 μ F,71V,Elect. <D>
Q581,Q582	2211732 or 2211733	2SC1845-F or 2SC1845-E		3504280	8200 μ F,56V,Elect. <P/W>
Q583	2211792 or 2211793	2SA992-F or 2SA992-E	C923	354761029	1000 μ F,35V,Elect.
Q591,Q592	2213640	DTC123JS	C924	354763319	330 μ F,35V,Elect.
Q924	2211455	2SA1015-GR	C927,C928	354741009	10 μ F,16V,Elect.
		Diodes	C931	354741009	10 μ F,16V,Elect.
D401~D404	223163	1SS133	C932,C933	354781019	100 μ F,50V,Elect.
D505,D506	223163	1SS133	C936,C937	354741009	10 μ F,16V,Elect.
D571,D572	223163	1SS133	C938	354781009	10 μ F,50V,Elect.
D591,D592	223163	1SS133	C983,C984	354741009	10 μ F,16V,Elect.
D911	22380038	RBV602			
D915~D918	22380032	1SR139-100	R393	5104288	N11RLC250KWT20Z,Balance
D926~D928	22380032	1SR139-100	R409,R415	5104356	N14RLC100KWT20Z,Tone
D929	224473304	MTZJ33D	R527,R528	443524734	47 kOhm \pm 5%,1/2W,Metal oxide
D930,D931	223163	1SS133	R533,R534	4500081	27 Ohm \pm 5%,1/4W,Metal
		Relaies	R535,R536	4500095	100 Ohm \pm 5%,1/4W,Metal
RL591,RL592	25065339	NRL-2P5A-DC24-046	R537,R538	5210259	N06HR 2KBC, Trim
			R543,R544	4500107	330 Ohm \pm 5%,1/4W,Metal
			R545,R546	4000132	RGC55 0.22 OHMK, Metal plate
			R551,R552	453630824	8.2 Ohm \pm 5%,1W,Metal
			R553,R554	443523924	3.9 kOhm \pm 5%,1/2W,Metal oxide
			R570	443522204	22 Ohm \pm 5%,1/2W,Metal oxide
			R923	4500055	2.2 Ohm \pm 5%,1/4W,Metal
			R924	4500069	8.2 Ohm \pm 5%,1/4W,Metal
			R930	4500079	22 Ohm \pm 5%,1/4W,Metal
			R933	4500087	47 Ohm \pm 5%,1/4W,Metal
					Terminals
			P301~P303	25045300	NPJ-6PDBL159
			P501	25060224	NTM-8PDML146
					Sockets
			P711a~P713a	25051046	NSCT-10P833

CIRCUIT NO.	PART NO.	DESCRIPTION
	Plugs	
P211a,P613a	25055652	NPLG-14P608
	Wire holders	
JL261a	25051088	NSCT-4P875
JL912a	25051110	NSCT-4P895
JL913a	25051109	NSCT-5P896
	Radiators	
Q921a	27160209	RAD-67
D911a	27160227	RAD-076

POWER SUPPLY CIRCUIT PC BOARD(NAETC-5397-3/3A)

CIRCUIT NO.	PART NO.	DESCRIPTION
F921,F922	252156Y	▲ 1A-UL/T-237, Secondary fuse <D>
	252070	▲ 1A-SE-EAK, Secondary fuse <P/W>
F921a,F922a	25050065	▲ YSH403T,Fuseholder
JL911b	25051100	NSCT-6P897,Wire holder
JL912b	25051110	NSCT-4P895,Wire holder <P/W>
JL913b	25051109	NSCT-5P896,Wire holder
A961	29360398	▲ Fuse label <P/W>

SWITCH PC BOARD(NASW-5398-3)

120V model only

CIRCUIT NO.	PART NO.	DESCRIPTION
S911	25065437	▲ NSS-22157P,Slide switch
JL911a	25051110	NSCT-6P897,Wire holder
JL912c	25051108	NSCT-4P895,Wire holder

DISPLAY CIRCUIT PC BOARD(NADIS-5399-3/3A/3B/3C)

CIRCUIT NO.	PART NO.	DESCRIPTION
	Remote sensor	
U701	24130010	HC-312
	IC	
Q701	22240892	μ PD78044AGF-111
Q751	22240679	μ PC1346CS <P>
	FL tube	
Q702	212142	FIP13PM8
	Transistors	
Q703	221282	DTC144ES
Q704~Q706	2213284	2SC1740S-R
Q707	2213510	DTA114ES
	Diodes	
D701,D702	223163	1SS133
D703	224470913	MTZJ9.1C
D704,D705	223163	1SS133
D706,D707	224470562	MTZJ5.6B
D708	223163	1SS133
D709	225291D	SEL4910D-D,LED
D710~D712	223163	1SS133
D751	223163	1SS133 <P>
	Coils	
L701~L703	233454K220	NCH-1452,220K
	Resonator	
X701	3010163	CST4.19MGW,Ceramic
X751	3010203Y	AF6146CG <P>
	Capacitors	
C701	3000075	0.047F, 5.5V, Super
C702	375524744	0.47 μ F ± 5%,50V,Plastic
C703	354721019	100 μ F,6.3V,Elect.

CIRCUIT NO.	PART NO.	DESCRIPTION
	Capacitors	
C704	354780109	1 μ F,50V,Elect.
C706,C707	354780109	1 μ F,50V,Elect.
C709,C711	355721019	100 μ F,6.3V,Elect.
C751	354721019	100 μ F,6.3V,Elect. <P>
C754,C760	374724724	4700pF ± 5%,50V,Plastic <P>
C755,C756	374723324	3300pF ± 5%,50V,Plastic <P>
C757	354780229	2.2 μ F,50V,Elect. <P>
C758	374724734	0.047 μ F ± 5%,50V,Plastic <P>
C759	374722234	0.022 μ F ± 5%,50V,Plastic <P>
	Resistor	
R786	5210265	N06HR50KBC,Trim <P>
	Wire holder	
JL711a	25051089	NSCT-5P876
	Plugs	
P711b~P713b	25055695	NPLG-10P615
	Switches	
S701~S703	25035652	NPS-111-S604
S704~S706	25035652	NPS-111-S604 <P>
S707~S717	25035652	NPS-111-S604
S723~S737	25035652	NPS-111-S604
	Holder	
Q702a	27190937AY	FL

TUNER CIRCUIT PC BOARD(NARF-5400-3/3A/3B)

CIRCUIT NO.	PART NO.	DESCRIPTION
	Front end	
U001	240104Y	ENV172D2G1 <D>
	240103Y	ENV172A2G1 <P/W>
	ICs	
Q103	22240749Y	LA1851N
Q171	22240090	LM7001
	Transistors	
Q101	2210746	2SC945A-P <P/W>
Q102	2211723	2SC1923-O
Q104	2213284	2SC1740S-R <P/W>
Q131,Q173	2213284	2SC1740S-R
Q172	2212445	2SK365-GR
Q174,Q175	2213510	DTA114ES
Q201,Q202	2213284	2SC1740S-R
Q203,Q204	2212794	2SD1468-R
Q205	2213510	DTA114ES
	Diode	
D131,D132	223191	SD101
D171	224470512	MTZJ5.1B
	Coils and transformers	
L101	233480AY	NFIF-4090
L102	233481Y	NFIF-4091
L103	233454M022	NCH-1452
L104	233383	NMC-6070 <P/W>
L151	231226Y	NMRF-7069
L152	232166Y	NMIF-4089
L201,L202	233355A	NMC-4059 <P/W>
	Ceramic filters	
X101	3010071	SFE10.7MA5
X102	3010071	SFE10.7MA5 <P/W>
X103	3010071	SFE10.7MA5 <D>
	3010130	SFE10.7MZ2A <P/W>
X151	3010123	SFZ-450JL

CIRCUIT NO.	PART NO.	DESCRIPTION
	Resonators	
X171	3010158 or 3010141	XTL7.2M or XTL7.2M,Crystal
X201	3010227Y	CSB456F15,Ceramic
	Capacitors	
C001	354741019	100 μ F,16V,Elect.
C107-C109	354780229	2.2 μ F,50V,Elect.
C110	354741019	100 μ F,16V,Elect.
C132	354742209	22 μ F,16V,Elect.
C133	354784799	0.47 μ F,50V,Elect.
C151	354741009	10 μ F,16V,Elect.
C155,C156	354741009	10 μ F,16V,Elect.
C157	374723324	3300pF \pm 5%,50V,Plastic
C158	374721534	0.015 μ F \pm 5%,50V,Plastic <D>
	374721034	0.01 μ F \pm 5%,50V,Plastic <P/W>
C159	354721019	100 μ F,6.3V,Elect.
C171	354741019	100 μ F,16V,Elect.
C174	374723334	0.033 μ F \pm 5%,50V,Plastic
C175	354780229	2.2 μ F,50V,Elect.
C176	374722234	0.022 μ F \pm 5%,50V,Plastic
C177	354782299	0.22 μ F,50V,Elect.
C180	354721019	100 μ F,6.3V,Elect.
C201,C202	354780109	1 μ F,50V,Elect.
C203	354783399	0.33 μ F,50V,Elect.
C204	354741019	100 μ F,16V,Elect.
C205,C206	374721534	0.015 μ F \pm 5%,50V,Plastic <D>
	374721034	0.01 μ F \pm 5%,50V,Plastic <P>
	374721234	0.012 μ F \pm 5%,50V,Plastic <W>
C207~C210	354741009	10 μ F,16V,Elect.
C213~C216	354741009	10 μ F,16V,Elect. <P/W>
C217	354780229	2.2 μ F,50V,Elect.
	Resistors	
R101	5210263	N06HR 20KBC, Trim
R202	5210261	N06HR 5KBC, Trim
	Terminals	
P101	25060160	NTM-4PDML086 <D>
	25060117	NTM-2PDML051 <P/W>
	Socket	
P211b	25050986	NSCT-14P773
	Shield plate	
	27150346	<P/W>

POWER SUPPLY CIRCUIT PC BOARD(NAPS-5401-3/3A/3B/3C)

CIRCUIT NO.	PART NO.	DESCRIPTION
	Transistors	
Q951	221282	DTC144ES
Q952	2213650	DTD113ZS
	Diodes	
D951~D954	22380032	1SR139-100
D955	223163	1SS133
	Resistors	
R901	431523355	Δ 3.3 MOhm \pm 20%,1/2W,Solid <D>
R951	453530824	8.2 Ohm \pm 5%,1/2W,Metal
	Fuses	
F901	252164Y	Δ 5A-UL/T-237, Primary <D/W>
F902	252076	Δ 3.15A-SE-EAK, Primary <P/W>
F903	252075	Δ 2.5A-SE-EAK, Primary <P>

CIRCUIT NO.	PART NO.	DESCRIPTION
	Capacitors	
C901	3500191Y	Δ DE7150FZ103PAC400V/125V
C952	354742219	220 μ F,16V,Elect.
	Fuseholders	
F901a	25050065	Δ YSH403T <D/W>
F902a	25050065	Δ YSH403T <P/W>
F903a	25050065	Δ YSH403T <P>
	Socket	
JL961a	25051087	NSCT-3P874
	AC outlet	
P902	25051126	Δ NSCT-4P913 <D>
P903	25050410	Δ NSCT-2P235 <P/W>
	Plug	
P901a	25055675	NPLG-2P631 <D/P>
	Relay	
RL901	25065483	Δ NRL-1P5A-DC12-084
	Power transformer	
T902	2300670A	Δ NPT-1111D <D>
	2300671AY	Δ NPT-1111P <P>
	2300672AY	Δ NPT-1111DG <W>
	Switch	
S901	25065437	Δ NSS-22157P, Voltage selector <W>

VIDEO CIRCUIT PC BOARD(NAETC-5402-3)

CIRCUIT NO.	PART NO.	DESCRIPTION
	Transistors	
Q251,Q252	2212115 or 2213284	2SC2458-GR or 2SC1740S-R
	IC	
Q253	222840661	4066B
	Diode	
D251	223163	1SS133
	Capacitors	
C251,C252	354721019	100 μ F,6.3V,Elect.
C255,C256	354724719	470 μ F,6.3V,Elect.
C257	354721019	100 μ F,6.3V,Elect.
C259	354741019	100 μ F,16V,Elect.
	Wire trap	
JL261b	25055625	NPLG-4P587
	Terminal	
P251	25045339	NPJ-4PDYE190

RI TERMINAL PC BOARD(NAETC-5404-3/3A)

CIRCUIT NO.	PART NO.	DESCRIPTION
P961	25045330	NPJ-2PDBL184,Terminal RI
JL711b	25055626	NPLG-5P588,Wire trap
JL961b	25051087	NSCT-3P874,Wire holder
S961	25065286	NSS-22112,Band switch <W>

HEADPHONE TERMINAL PC BOARD(NAETC-5405-3/3A)


CIRCUIT NO.	PART NO.	DESCRIPTION
P503	25045255	YKB21-5009,Headphone terminal

VOLUME PC BOARD(NAETC-5407-3)

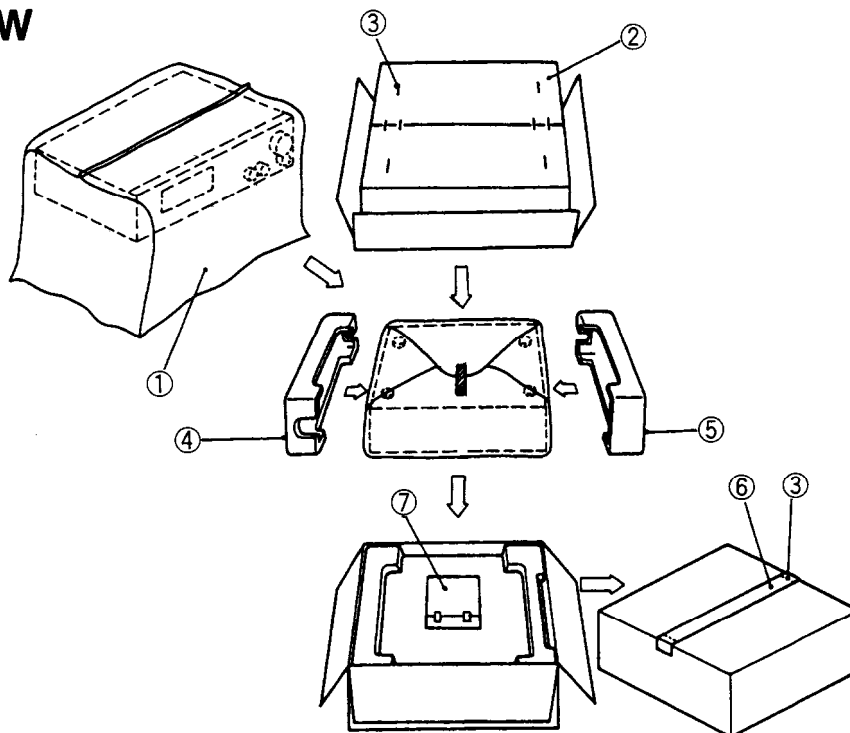
CIRCUIT NO.	PART NO.	DESCRIPTION
	Resistor	
R441	5104334Y	N16RGL100KBT25F
	Socket	
P611b	25051127	NSCT-8P914

NOTE: <D>:120V model only
<P>:230V model only
<W>:Worldwide model only

CAUTION: Replacement for transistor of mark *, if necessary,
must be made from the same beta group (HFE) as
the original type.

NOTE: THE COMPONENTS IDENTIFIED BY MARK  ARE CRITICAL FOR RISK OF FIRE AND ELECTRIC SHOCK. REPLACE ONLY WITH PART NUMBER SPECIFIED.

PACKING VIEW



PARTS LIST TX-SV424

REF. NO.	PART NO.	DESCRIPTION
1	29100034-1Y	850×650, Styren bag
2	29052872AY	Carton box
3	282301	Staple
4	29091651BY	Pad L
5	29091652CY	Pad R
6	29110071	PP tape
7	Accessory bag ass'y	
	29100097-1Y	350×250, Styren bag
	25055018	CV-K-1, Conversion plug <W>
	292111	FM antenna <D>
	292112	FM antenna <P/W>
	29342151Y	Instruction manual U3 <W/C>
	29342149Y	Instruction manual U6 <P>
	29342148Y	Instruction manual, English
	29361877Y	Label UPC <N>
	29360778Y	Label, flash <D>
	232140	NMA-3057, AM loop antenna
	24140295Y	RC-295S, Remote control transmitter
	2010200	Remote control cable
	29358002K	Service station list <N>
	29095745	Sheet U7 <P>
	3010054	UM-3, Two batteries
	29365019B	Warranty card <N>
	25065462	YAE21-0237, FM antenna adaptor <W/A>

NOTE: <D>:120V model only
<P>:230V model only
<W>:Worldwide model only
<N>:USA model only
<A>:Australian model only
<C>:Canadian model only

TX-8410/TX-8410R

REF. NO.	PART NO.	DESCRIPTION
1	29100034-1Y	850×650, Styren bag
2	29052873AY	Carton box <TX-8410>
	29052874AY	Carton box <TX-8410R>
3	282301	Staple
4	29091651BY	Pad L
5	29091652CY	Pad R
6	29110071	PP tape
7	Accessory bag ass'y	
	29100097-1Y	350×250, Styren bag
	25055018	CV-K-1, Conversion plug <W>
	292111	FM antenna <D>
	292112	FM antenna <P/W>
	29342161Y	Instruction manual, English
	29342162Y	Instruction manual U6 <P>
	29342163Y	Instruction manual U3 <W/C>
	29361878Y	Label UPC <N>
	29360778Y	Label, flash <D>
	232140	NMA-3057, AM loop antenna
	24140294Y	RC-294S, Remote control transmitter
	2010200	Remote control cable
	29358002K	Service station list <N>
	29095745	Sheet U7 <P>
	3010054	UM-3, Two batteries
	29365019B	Warranty card <N>
	25065462	YAE21-0237, FM antenna adaptor <W/A>

NOTE: <D>:120V model only
<P>:230V model only
<W>:Worldwide model only
<N>:USA model only
<A>:Australian model only
<C>:Canadian model only

SPECIFICATIONS

TX-8410/TX-8410R

AMPLIFIER SECTION

Power Output

U.S.A. & Canadian models: 100 watts per channel, min. RMS at 8 ohms, both channels driven from 20 Hz to 20 kHz with no more than 0.2% T.H.D.

Other area models: Continuous output
2 × 100 watts at 4 ohms, 1 kHz (DIN)
2 × 65 watts at 8 ohms, 1 kHz (DIN)

Total Harmonic Distortion: 0.08% at power 30 watts, 8 ohms

IM Distortion: 0.08% at power 30 watts, 8 ohms

Damping Factor: 60 at 8 ohms

Sensitivity and Impedance

Phono: 2.5 mV/50 kohms

CD/Tape Play: 150 mV/50 kohms

Tape Rec: 150 mV/2.2 kohms

Phono Overload: 120 mV RMS at 1 kHz, 0.5% T.H.D.

Frequency Response: 20 Hz to 30 kHz, ±1 dB

RIAA Deviation: 20 Hz to 20 kHz, ±0.8 dB

Tone Control

Bass: ±10 dB at 100 Hz

Treble: ±10 dB at 10 kHz

Signal-to-Noise Ratio

Phono: 80 dB (IHF A, 5 mV input)

CD/Tape: 100 dB (IHF A)

VIDEO SECTION

Signal sensitivity and impedance: 1 Vp-p, 75 ohms (VDP/VCR input, output)

TUNER SECTION

FM

Tuning Range: 87.5 — 108.0 MHz

Usable Sensitivity

Mono: 11.2 dBf, 1.0 μV (75 ohms)

Stereo: 17.2 dBf, 2.0 μV (75 ohms)

50dB Quieting Sensitivity

Mono: 18.2 dBf, 2.2 μV (75 ohms)

Stereo: 38.2 dBf, 22 μV (75 ohms)

Capture Ratio:

1.5 dB

Image Rejection Ratio

U.S.A. & Canadian models: 40 dB

Other area models: 85 dB

IF Rejection Ratio:

90 dB

Signal-to-Noise Ratio

Mono: 73 dB

Stereo: 67 dB

Alternate Channel Attenuation:

55 dB

Selectivity:

50 dB (DIN)

AM Suppression Ratio:

50 dB

Total Harmonic Distortion

Mono: 0.15%

Stereo: 0.25%

Frequency Response:

30 Hz — 15 kHz, ±1.5 dB

Stereo Separation:

45 dB at 1 kHz

30 dB at 100 Hz — 10 kHz

AM

Tuning Range

U.S.A. & Canadian models: 530—1,710 kHz (10 kHz steps)

European & Australian models: 522—1,611 kHz (9 kHz steps)

Worldwide models: 531—1,602 kHz (9 kHz steps)

530—1,710 kHz (10 kHz steps)

Usable Sensitivity:

30 μV

Image Rejection Ratio:

40 dB

IF Rejection Ratio:

40 dB

Signal-to-Noise Ratio:

40 dB

Total Harmonic Distortion:

0.7%

GENERAL

Power Supply

U.S.A. & Canadian models: AC 120 V, 60 Hz

European & Australian models: AC 230 V, 50 Hz

Worldwide models:

AC 220 V and 120 V switchable, 50/60 Hz

Power Consumption

U.S.A. & Canadian models: 2.8 A (300 W)

Other area models: 220 W

Dimensions (W × H × D):

455 × 150 × 322 mm

17-15/16" × 5-7/8" × 12-11/16"

Weight:

9.3 kg, 20.5 lbs.

REMOTE CONTROL RC-294S

Transmitter: Infrared

Signal range: Approx. 5 meters, 16 ft.

Power supply: Two "AA" batteries (1.5 V × 2)

Dimensions (W × H × D): 55 × 18 × 194 mm

2-3/16" × 11/16" × 7-5/8"

Weight:

100 grams, 3.5 oz. (including batteries)

Specifications and features are subject to change without notice.

ONKYO CORPORATION

International Sales Dept. : 31 Sankyo-bld. 3-8-5, Asakusabashi, Taito-ku, TOKYO 111, JAPAN

TEL : 03-5820-5865 FAX : 03-5820-5869

ONKYO U.S.A. CORPORATION

200 Williams Drive, Ramsey, N.J. 07446, U.S.A.

TEL : 201-825-7950 FAX : 201-825-8150

ONKYO EUROPE ELECTRONICS GMBH

Industriestrasse 18-20, 82110 Germering, GERMANY

TEL : 089 84 93 20 FAX : 089 84 93 226

ONKYO FRANCE

Immeuble Le Diamant, Domaine Technologique de Saclay, 4 Rue Rene Razel, 91892 SACLAY, FRANCE

TEL : (1) 69 33 14 00 FAX : (1) 69 41 35 84