

SERVICE INFORMATION

Ref. No. 9708
Date Aug. 5, '97

This Ref. No. 9708 is revision of Ref. No. 9707.

MODEL	TX-SV444
ITEM	Changes of circuit

Symptom: No sound

Cause: The abnormal idling current flows according to the error tolerance of parts or the attachment position of thermal compensation transistors, and the power transistors, resistors etc. are broken.

Countermeasure: The parts below were changed to decrease the idling current.

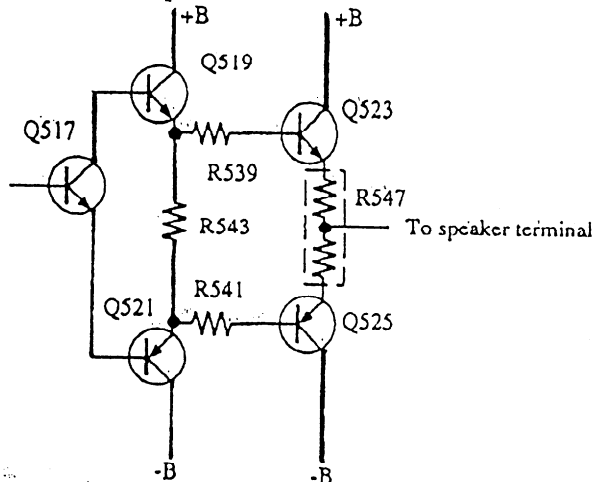
Circuit No.	Part Name	After Change		Before Change		Note
		Description	Part No.	Description	Part No.	
R533,R534,R1521	Carbon resistors	R16J 330	417343314	R16J 3.3K	417343324	*1
R533, R534, R1519	Metal resistors	1/8WG330	4500132			*2
R537,R538,R1520	Carbon resistors	R16J 820	417348214	R16J 6.8K	417346824	*1
	Metal resistors	1/6WCF820	4500116			*3
R573,R1532	Carbon resistors	R16J 5.6K	417345624	R16J 150K	417341544	
R574	Carbon resistor	R16J 4.7K	417344724	R16J 100K	417341044	
C524	Ceramic C	50V 040C	345020401	50V 020C	345020201	
Q517,Q518,Q1509	Transistors	2SC2229-O	2211633	2SC1740S-R	2213284	

Application of change: *1: From March, '97
*2: From June, '97
*3: From July, '97

Table 1

Service Procedures

1. Check all parts as shown below.



Spare parts kit : Part No. 0T1011

Part Name : IDLING

Component List

Part Name	Description	Part No.	Q'ty
Metal resistors	1/8WG330	4500132	3
Metal resistors	1/6WCF820	4500116	3
Carbon resistors	R16J 5.6K	417345624	2
Carbon resistor	R16J 4.7K	417344724	1
Ceramic C	50V 040C	345020401	1
Transistors	2SC2229-O	2211633	3