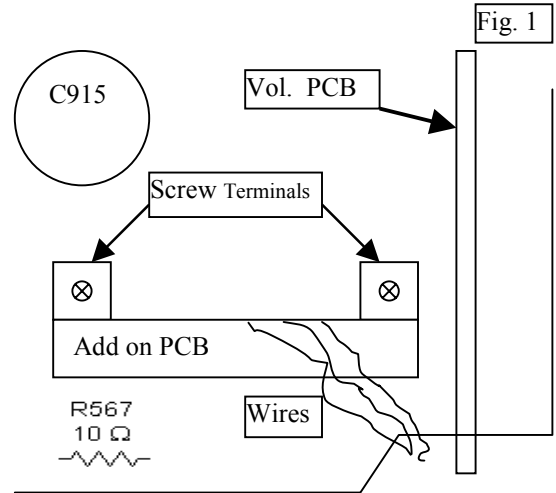
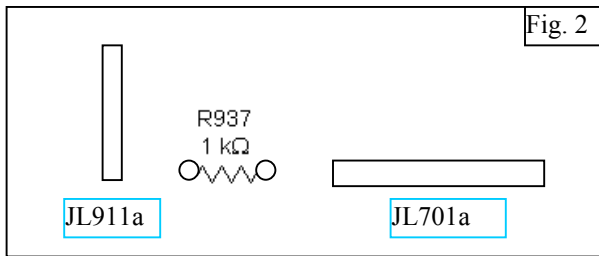


Classification: Service Tip

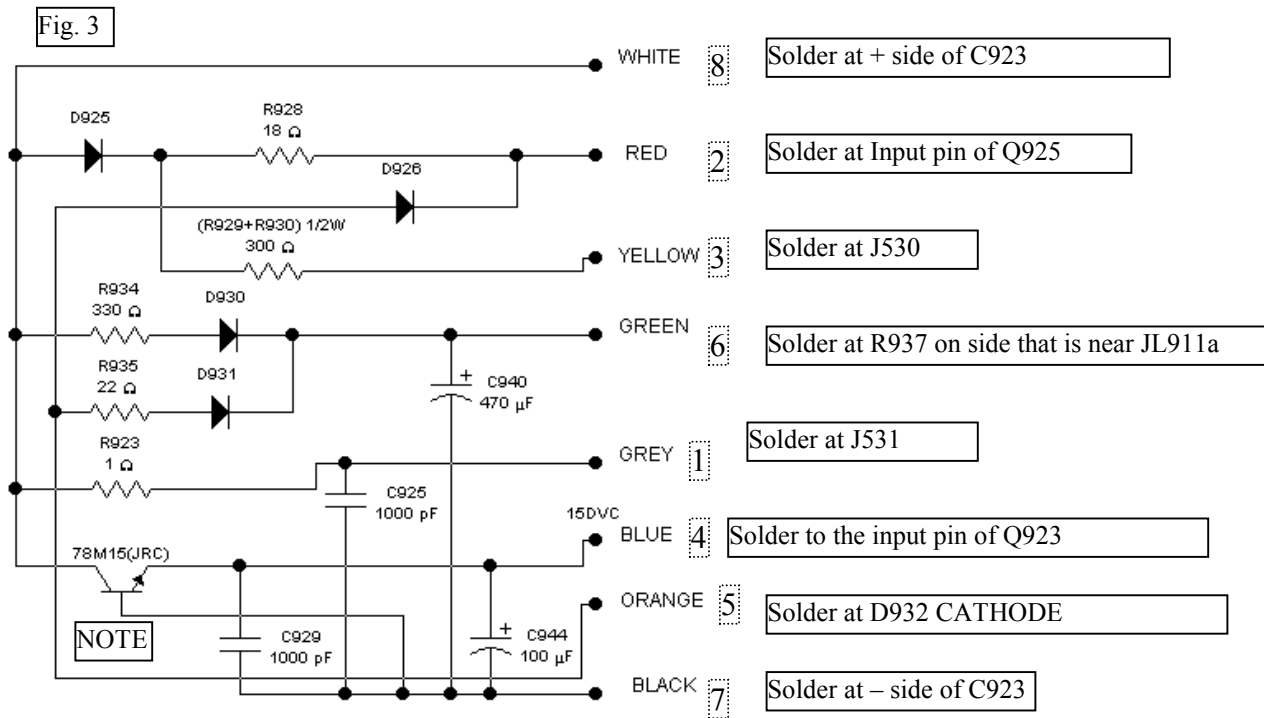
Affected models: TXSV636, TXSV525, TXSV535, TXSV727 and ASV620

Problem: R923, 925, 926, 928, 924 burn, and damage PCB. When main PCB not supplied as replacement part do the following.

Solution: First, remove D925, D926, R929, R926, R923, R925, R928, R930, R934, R935, C925, C929, C940, and C944. Clean all fragmented burnt parts of the main PCB. Mount the PCB as shown on Fig 1. Fig. 2 and Fig. 3 shows location where these parts need be soldered. The burnt resistor locations should be free of carbonized PCB fragment by cutting or cleaning the area. You will notice a regulator * in place of R925 and R926 to further stabilize and reduce working temperature.



Part Number: NANK428 or NANK429



* NOTE: This is a regulator replacing R925 and R926. Part Number is #222780155JRC. If the Dolby Process circuit is working properly the Voltage Drop across the regulator (Measured across IN and OUT) should not exceed 150mv of difference between DOLBY ON and BYPASS mode. The numbers in a dashed line box are the sequence of soldering to points as described to the right.