

# ONKYO® SERVICE MANUAL

## AUDIO VIDEO CONTROL TUNER AMPLIFIER MODEL TX-SV727 MODEL TX-SV727R



### Black model

BMD, BMDN	120V AC, 60Hz
BMP	230V AC, 50Hz
BMW	120V or 220V AC, 50/60Hz

### SAFETY-RELATED COMPONENT WARNING!!

COMPONENTS IDENTIFIED BY MARK  $\triangle$  ON THE SCHEMATIC DIAGRAM AND IN THE PARTS LIST ARE CRITICAL FOR RISK OF FIRE AND ELECTRIC SHOCK. REPLACE THESE COMPONENTS WITH ONKYO PARTS WHOSE PART NUMBERS APPEAR AS SHOWN IN THIS MANUAL.

MAKE LEAKAGE-CURRENT OR RESISTANCE MEASUREMENTS TO DETERMINE THAT EXPOSED PARTS ARE ACCEPTABLY INSULATED FROM THE SUPPLY CIRCUIT BEFORE RETURNING THE APPLIANCE TO THE CUSTOMER.

### TABLE OF CONTENTS

Specifications .....	2
Service procedures .....	3
Exploded view (TX-SV727) .....	4
Parts list (TX-SV727) .....	5
Exploded view (TX-SV727R) .....	6
Parts list (TX-SV727R) .....	7
Block diagram (Tuner section) .....	8
120V model .....	8
Other models .....	9
Microprocessor connection diagram .....	10
Microprocessor descriptions .....	11
IC block diagrams and descriptions .....	12
Adjustment procedures .....	23
Pc board-parts list (Amplifier section) .....	25
Schematic diagram .....	27
Printed circuit board view .....	31
Schematic diagram .....	35
Printed circuit board view .....	39
Printed circuit board-parts list .....	41
Schematic diagram .....	43
Pc board-parts list (Amplifier section) .....	47
Pc board view (Tuner section) .....	48
Block diagram (Amplifier section) .....	49
Packing view .....	51
Notes .....	52

**ONKYO**  
**AUDIO COMPONENTS**

# SPECIFICATIONS

## AMPLIFIER SECTION

Power Output:

**Stereo mode**

**Front Main L/R channels**

**100 watts per channel min. RMS. at 8 ohms, both channels driven, from 20 Hz to 20,000 Hz, with no more than 0.08% total harmonic distortion.**

Continuous power output:  
2 × 120 W at 8ohms (DIN)

**Surround mode and Multi source mode**

Front Main L/R and center channels

80 W + 80 W + 80 W (1 kHz 0.08 %  
8 ohms)

Rear channels (Rear only driven)

25 W + 25 W (1 kHz 0.8 % 8 ohms)

Remote channels

80 W + 80 W (1 kHz 0.1 % 8 ohms)

Total Harmonic Distortion: 0.08% at rated power (FRONT)

IM Distortion: 0.08% at rated power (FRONT)

Damping Factor: 60 at 8 ohms (FRONT)

Input Sensitivity and Impedance:

Phono: 2.5 mV/50 kohms

CD/Tape Play: 150 mV/50 kohms

Output level and impedance: Tape Rec: 150 mV/2.2 kohms

Pre out (FRONT): 1V/ 2.2 kohms

(REAR/CENTER/MULTI SOURCE) :

1V/2.2 kohms

(SUBWOOFER):

1V/2.2 kohms

Phono Overload: 120 mV RMS. at 1,000 Hz, 0.5% THD.

Frequency Response: 20 to 30,000 Hz, +/-1 dB

RIAA Deviation: 20 to 20,000 Hz, +/-0.8 dB

Tone Control: BASS: +/-10 dB at 100 Hz

TREBLE: +/-10 dB at 10,000 Hz

Signal to Noise Ratio: PHONO: 80 dB (IHF A, 5 mV input)

CD/TAPE: 100 dB (IHF A)

Muting: -∞ dB

## VIDEO SECTION

Signal sensitivity and impedance:

VDP/VCR input, output: 1 Vp-p, 75 ohms

## TUNER SECTION

### FM:

Tuning Range: 87.5 — 108.0 MHz (50 kHz steps)  
Usable Sensitivity: Mono: 11.2 dBf, 1.0 μV (75 ohms) IHF  
0.9μV (26 dB S/N, 40kHz Div.)  
75 ohms DIN

Stereo: 17.2 dBf, 2.0 μV (75 ohms) IHF  
23μV (46 dB S/N, 40kHz Div.)  
75 ohms DIN

50dB Quietng Sensitivity: Mono: 17.2 dBf, 2.0 μV (75 ohms)  
Stereo: 37.2 dBf, 20 μV (75 ohms)

Capture Ratio: 1.5 dB

Image Rejection Ratio: 40 dB (U.S.A. & Canadian models)  
85 dB (European models)

IF Rejection Ratio: 90 dB

Signal-to-Noise Ratio: Mono: 73 dB  
Stereo: 67 dB

Alternate Channel Attenuation: 55 dB

AM Suppression Ratio: 50 dB

Total Harmonic Distortion: Mono: 0.15%  
Stereo: 0.25%

Frequency Response: 30 — 15,000 Hz +/-1.5 dB

Stereo Separation: 45 dB at 1 kHz  
30 dB at 100 — 10,000 Hz

### AM:

Tuning Range: USA & Canadian models  
530 — 1710 kHz (10 kHz steps)  
European models  
522 — 1611 kHz (9 kHz steps)  
Worldwide models  
531 — 1602 kHz (9 kHz steps)  
530 — 1710 kHz (10 kHz steps)

Usable Sensitivity: 30 μV

Image Rejection Ratio: 40 dB

IF Rejection Ratio: 40 dB

Signal-to-Noise Ratio: 40 dB

Total Harmonic Distortion: 0.7%

## REMOTE CONTROL RC-288M

Transmitter: Infrared  
Signal range: Approx. 5 meters (16ft.)  
Power supply: Two AA  
batteries (1.5V × 2)


## GENERAL


Power Supply: USA & Canadian models  
AC120 V, 60 Hz  
European and Australian models  
AC230 V, 50 Hz  
Worldwide models  
120 and 220 V switchable, 50/60 Hz  
Dimensions (W × H × D): 455 × 170 × 389 mm  
17-15/16" × 6-11/16" × 15-5/16"  
Mass: 13.0 kg (28.7 lbs)

Specifications and features are subject to change without notice.

# SERVICE PROCEDURES

## 1. Replacing the fuses

 This symbol located near the fuse indicates that the fuse used is fast operating type. For continued protection against fire hazard, replace with same type fuse. For fuse rating refer to the marking adjacent to the symbol.

 Ce symbole indique que le fusible utilise est a rapide. Pour une protection permanente, n'utiliser que des fusibles de meme type. Ce dernier est indique la qu le present symbol est appose.

CIRCUIT NO.	PART NO.	DESCRIPTION
F901	252166Y	6.3A-UL/T-237, Primary <D/W>
F902	252076	3.15A-TSC, Primary <P/W>
F903	252075	2.5A-SE-EAK, Primary <P>

NOTE: <D> :120V model only  
 <P> :230V model only  
 <W>:Worldwide model only

## 2. To Initialize the unit

This device employs a microprocessor to perform various functions and operations. If interference generated by an external power supply, radio wave, or other electrical source results in accident which causes the specified operations and functions to operate abnormally.

To perform a result, please follow the procedure below.

1. Press and hold down the VIDEO-1 button, then press the POWER button.
2. After "clear" is displayed, the preset memory and each mode stored in the memory, such as surround, are initialized and will return to the factory settings.

## 3. Safety-check out

(Only U.S.A. model)

After correcting the original service problem, perform the following safety check before releasing the set to the customer. Connect the insulating-resistance tester between the plug of power supply cord and the screw on the back panel.

Specifications: 3.3 Mohm±10% at 500V.

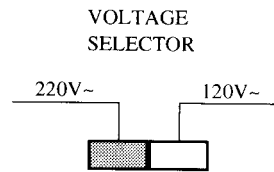
## 4. Change of voltage

Worldwide models are equipment with a voltage selector to conform with local power supplies. This switch is located on the back panel.

Be sure to set this switch to match the voltage of the power supply in your area before turning the power switch on.

This switch is set to 220V at the factory. Voltage is changed by sliding the groove in the switch with the screwdriver to the right

or left. Confirm that the switch has been moved all the way to the right or left before turning the power switch on.



## 5. Memory preservation

This unit does not require memory preservation batteries.

A built-in memory power back-up system preserves contents of the memory during power failures and even when the unit is unplugged.

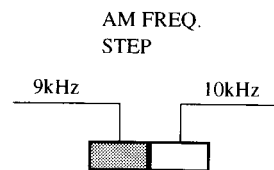
The unit must be plugged in and the power switch turned on and off once in order to charge the back-up system. Note that since this is not a permanent memory, the power switch must be turned on and off a few times each month the keep the back-up system operative.

The period of the time during which memory contents are preserved after power has last been turned off varies depending on climate and placement of the unit. On the average, memory contents are protected over a period of 3 to 4 weeks (a minimum of 2 weeks) after the last time power has been turned off. This period is shorted when the unit is exposed to very high humidity or used in an area with an extremely humid climate.

## 6. Setting the tuning step frequency

Worldwide models are equipped with a step band selector switch. This switch is located on the back panel. This switch is set to 9 kHz at the factory, but may have to be reset to 10 kHz depending on the area where the unit is used.

- AM band step
- Europe: 9 kHz
- U.S.A.: 10 kHz

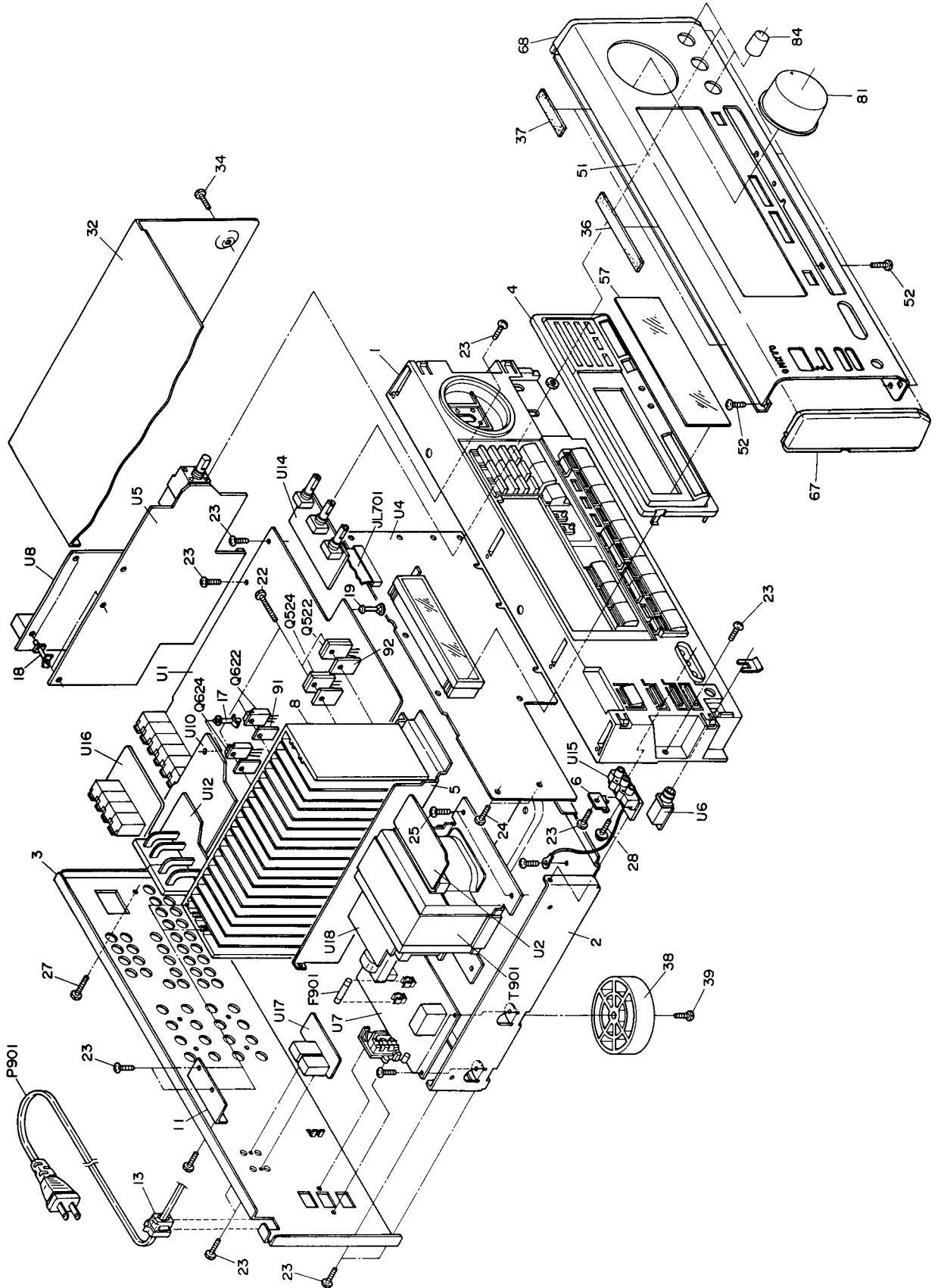


## 7. Changing the band step

With the exception of the worldwide models, a tuning step selector switch is not provided. When you change the band step, change the parts as shown below.

	To 10 kHz	To 9 kHz
R764	1.8 kohm	3 kohm

**EXPLODED VIEW**  
**TX-SV727**



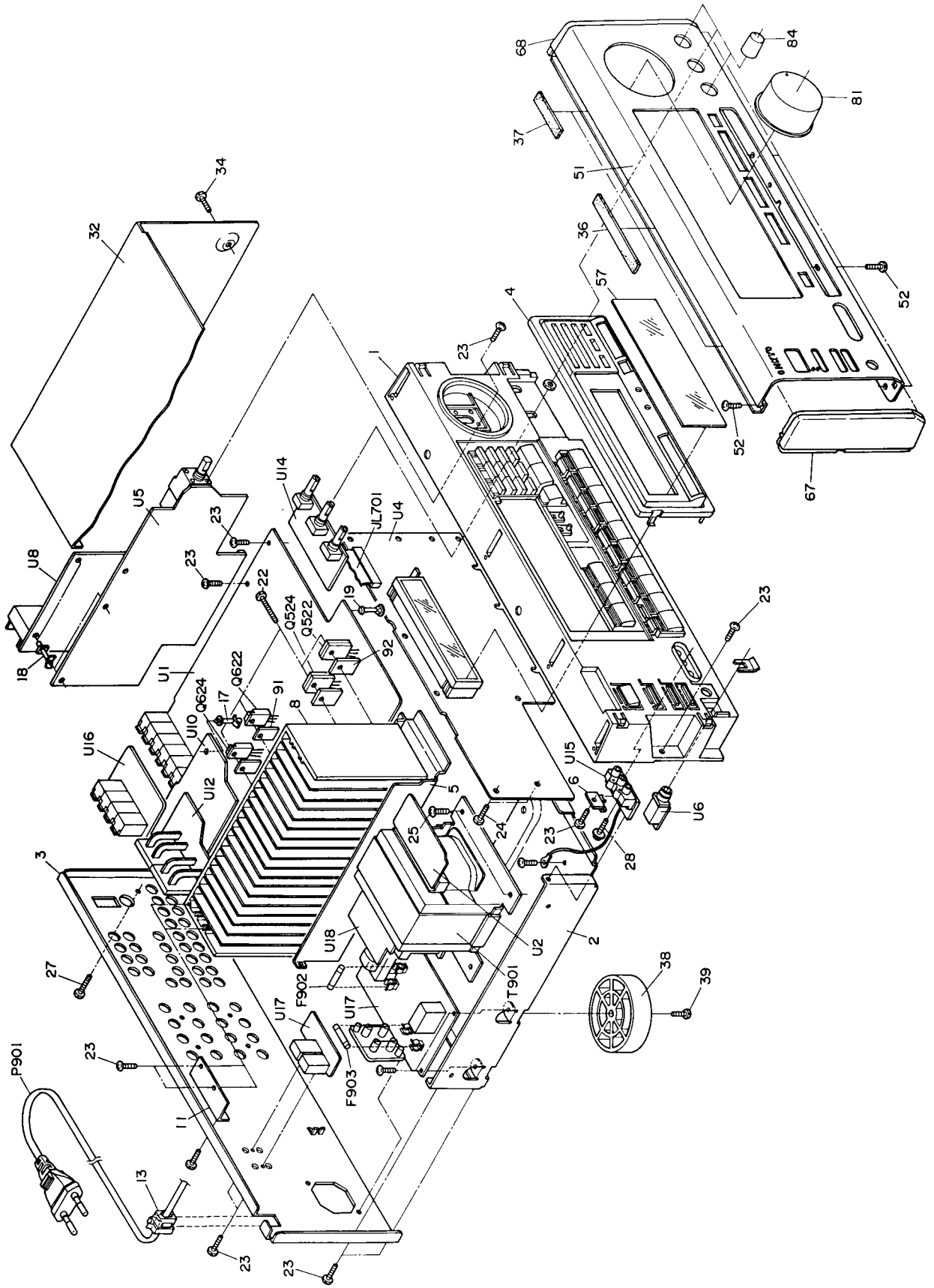
# PARTS LIST

REF. NO.	PART NO.	DESCRIPTION	REF. NO.	PART NO.	DESCRIPTION
1	27110833AY	Front bracket	Q524	2201473	2SA1302-O
2	27100291Y	Chassis		2202812 or	2SA1943-R or
3	27121995Y	Rear panel <D>	Q621	2202813	2SA1943-O, Transistors
	27121997Y	Rear panel <W>	Q622	2202882	2SD2387-R,
4	27215253AY	Decorative frame		2202883	2SD2387-O,
5	27130743AY	Bracket H		2202903	2SD2389-O,
6	27262583Y	Plate T		2202904 or	2SD2389-Y or
8	27160347-1Y	Radiator	Q623	2202906	2SD2389-P, Transistors
9	27130742Y	Bracket C	Q624	2202872	2SB1558-R,
11	27141607AY	Retainer H		2202873	2SB1558-O,
13	27300750	Cord bushing		2202893	2SB1559-O,
17	27190369	KGLS-22S, Holder		2202894 or	2SB1559-Y or
18	27190062	KGLS-12S, Holder	T901	2202896	2SB1559-P, Transistors
20	27190926	KGPS-18RF, Holder		2301071Y	NPT-1230D, Power transformer <D>
22	801433	3SMS8W, SW+14B(BC), Special screw		2301091Y	NPT-1235D, Power transformer <C>
23	838130088	3TTB+8B, Self-tapping screw	U1	2301073Y	NPT-1230DG, Power transformer <W>
24	833430080	3TTP+8P(BC), Self-tapping screw		IA564521-3Y	NAAR-5121-3, Main circuit pc board ass'y <D>
25	830440089	4TTC+8B(BC), Self-tapping screw	U2	IA564521-3BY	NAAR-5121-3B, Main circuit pc board ass'y <W>
26	834430108	3TTS+10B(BC), Self-tapping screw	U4	IA564522-3Y	NAETC-5122-3, Secondary circuit pc board ass'y
27	834230108	3TTS+10B(NI), Self-tapping screw	U5	IA564524-3Y	NADG-5124-3, Display circuit pc board ass'y
28	831130088	3TTW+8B, Self-tapping screw		IA564525-3Y	NAAF-5125-3, Master volume circuit pc board ass'y <D>
32	28184540Y	Top cover	U6	IA56525-3AY	NAAF-5125-3A, Master volume circuit pc board ass'y <W>
33	838130088	3TTB+8B, Self-tapping screw	U7	IA564526-3Y	NAETC-5126-3, Headphone terminal pc board ass'y
34	838440089	4TTB+8C(BC), Self-tapping screw		IA564527-3Y	NAPS-5127-3, Primary circuit pc board ass'y <D>
36	28140680	0.5x180x8, Cushion	U8	IA564527-3BY	NAPS-5127-3B, Primary circuit pc board ass'y <W>
37	28141305Y	0.8x57x8, Cushion		IA564528-3Y	NARF-5128-3, Tuner circuit pc board ass'y <D>
38	27175300Y	Leg	U10	IA564528-3BY	NARF-5128-3B, Tuner circuit pc board ass'y <W>
39	838130088	3TTB+8B, Self-tapping screw		IA564530-3Y	NAETC-5130-3, Video circuit pc board ass'y <D>
51	1A564121Y	Front panel ass'y	U12	IA565530-3AY	NAETC-5130-3A, Video circuit pc board ass'y <W>
52	838130088	3TTB+8B, Self-tapping screw		IA564532-3Y	NAETC-5132-3, Speaker terminal pc board ass'y <D>
54	8910301	CS-3, CS ring	U14	IA564532-3AY	NAETC-5132-3A, Speaker terminal pc board ass'y <W>
57	28191699Y	Clear plate	U15	IA564534-3Y	NAAF-5134-3, Tone control circuit pc board ass'y
59	28198813Y	Facet		IA564535-3Y	NAETC-5135-3, Front terminal pc board ass'y <D>
61	28135199Y	Badge	U16	IA565535-3AY	NAETC-5135-3A, Front terminal pc board ass'y <W>
67	28125268Y	End cap L	U17	IA564536-3Y	NAETC-5136-3, Pre. output terminal pc board ass'y
68	28125267Y	End cap R		IA564537-3Y	NAETC-5137-3, MR/RI terminal pc board ass'y <D>
81	28325057	Knob, Volume	U18	IA564537-3BY	NAETC-5137-3B, MR/RI terminal pc board ass'y <W>
84	28325055Y	Knob, Tone		IA564538-3Y	NAETC-5138-3, Transformer terminal pc board ass'y
91	223021	Isolation sheet			
92	223023	Isolation sheet			
99	260208	Wire ties			
F901	252166Y	6.3A-UL/T-237, Primary fuse			
F902	252076	3.15A-SE-EAK, Primary fuse <W>			
JL701	2047402012Y	NCF7-402012, Flexible flat cable			
P901	253192HIT	AS-UC-6#18, Power supply cord <D>			
	253092-1A or	AS-CEE-2, Power supply cord			
	253172	<W>			
Q521	2201482,	2SC3281-R,			
Q522	2201483,	2SC3281-O,			
	2202822 or	2SC5200-R or			
	2202823	2SC5200-O, Transistors			
Q523	2201472,	2SA1302-R,			

NOTE:  
 <D>-120 V model only  
 <W>-Worldwide model only  
 <C>-Canadian model only

**NOTE: THE COMPONENTS IDENTIFIED BY MARK Δ ARE CRITICAL FOR RISK OF FIRE AND ELECTRIC SHOCK. REPLACE ONLY WITH PART NUMBER SPECIFIED.**

**EXPLODED VIEW**  
**TX-SV727R**



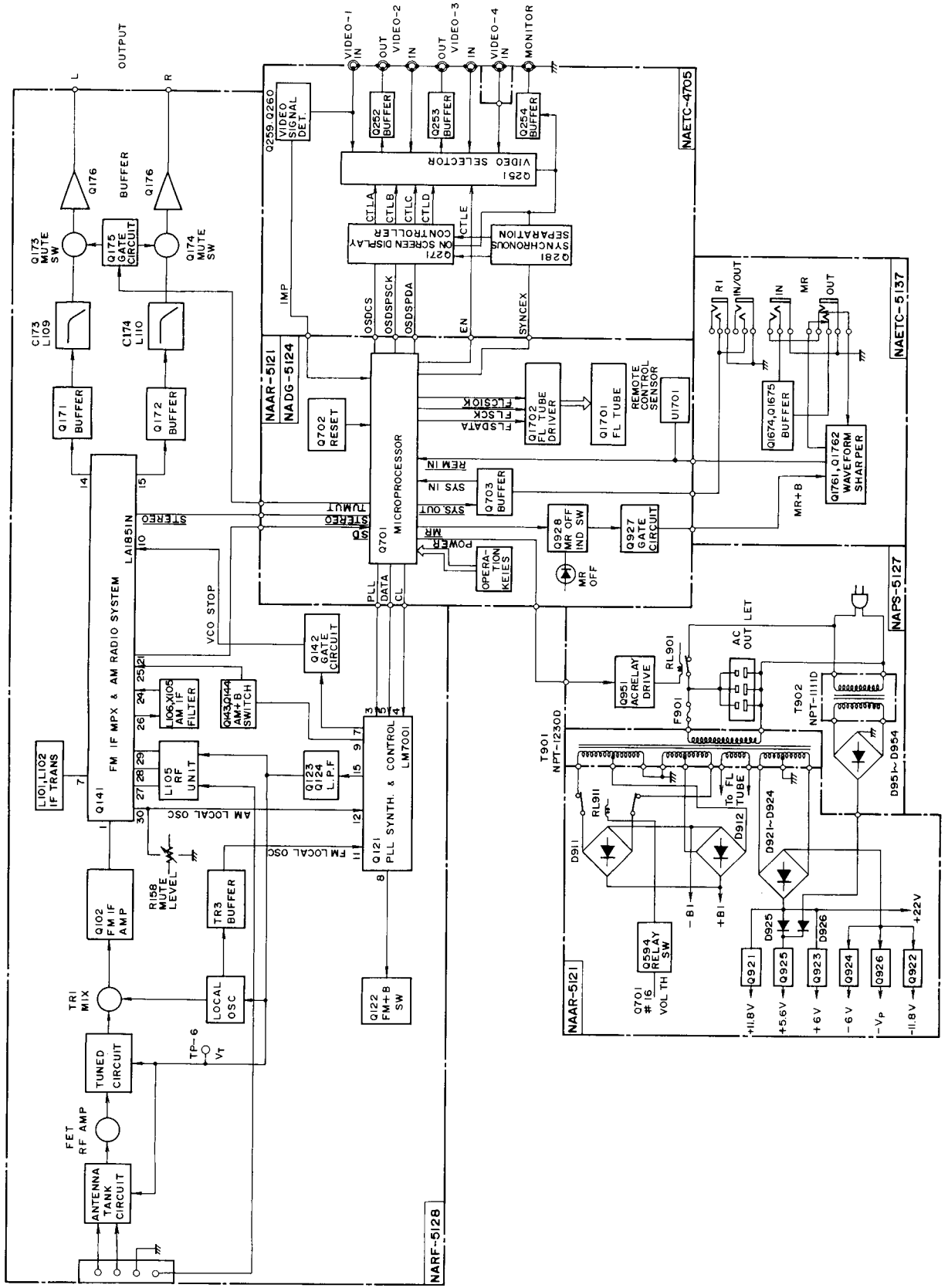
## PARTS LIST

REF.NO.	PART NO.	DESCRIPTION	DESCRIPTION	REF.NO.	PART NO.	DESCRIPTION
1	27110833AY	Front bracket		Q521	2201482,	2SC3281-R,
2	27100291Y	Chassis		Q522	2201483,	2SC3281-O,
3	27121996Y	Rear panel			2202822 or	2SC5200-R or
4	27215256AY	Decorative frame			2202823	2SC5200-O, Transistors
5	27130743AY	Bracket H		Q523	2201472,	2SA1302-R,
6	27262583Y	Plate T		Q524	2201473,	2SA1302-O,
8	27160347-1Y	Radiator			2202812 or	2SA1943-R or
9	27130742Y	Bracket C			2202813	2SA1943-O, Transistors
11	27141607AY	Retainer H		Q621	2202882,	2SD2387-R,
13	27300750	^ Cord bushing		Q622	2202883,	2SD2387-O,
17	27190369	KGLS-22S, Holder			2202903,	2SD2389-O,
18	27190062	KGLS-12S, Holder			2202904 or	2SD2389-Y or
20	27190926	KGPS-18RF, Holder			2202906	2SD2389-P, Transistors
22	801433	3SMS8W, SW+14B(BC), Special screw		Q623	2202872,	2SB1558-R,
23	838130088	3TTTB+8B, Self-tapping screw		Q624	2202873,	2SB1558-O,
24	833430080	3TTP+8P(BC), Self-tapping screw			2202893,	2SB1559-O,
25	830440089	4TTC+8B(BC), Self-tapping screw			2202894 or	2SB1559-Y or
26	834430108	3TTS+10B(BC), Self-tapping screw			2202896	2SB1559-P, Transistors
27	834230108	3TTS+10B(NI), Self-tapping screw		T901	2301072Y	^ NPT-1230P, Power transformer
28	831130088	3TTW+8B, Self-tapping screw		U1	1A565521-3AY	NAAR-5121-3A, Main circuit pc board ass'y
32	28184540Y	Top cover		U2	1A564522-3Y	NAETC-5122-3, Secondary circuit pc board ass'y
33	838130088	3TTTB+8B, Self-tapping screw		U4	1A565524-3AY	NADG-5124-3A, Display circuit pc board ass'y
34	838440089	4TTTB+8C(BC), Self-tapping screw		U5	1A564525-3Y	NAAF-5125-3, Master volume circuit pc board ass'y
36	28140680	0.5x180x8, Cushion		U5	1A565525-3AY	NAAF-5125-3A, Master volume circuit pc board ass'y
37	28141305Y	0.8x57x8, Cushion		U6	1A564526-3Y	NAETC-5126-3, Headphone terminal pc board ass'y
38	27175300Y	Leg		U7	1A565527-3AY	NAPS-5127-3A, Primary circuit pc board ass'y
39	838130088	3TTTB+8B, Self-tapping screw		U8	1A565528-3AY	NARF-5128-3A, Tuner circuit pc board ass'y
51	1A565121Y	Front panel ass'y		U10	1A565530-3AY	NAETC-5130-3A, Video circuit pc board ass'y
52	838130088	3TTTB+8B, Self-tapping screw		U12	1A565532-3AY	NAETC-5132-3A, Speaker terminal pc board ass'y
54	8910301	CS-3, CS ring		U14	1A564534-3Y	NAAF-5134-3, Tone control circuit pc board ass'y
57	28191699Y	Clear plate		U15	1A565535-3AY	NAETC-5135-3A, Front terminal pc board ass'y
59	28198813Y	Facet		U16	1A564536-3Y	NAETC-5136-3, Pre. output terminal pc board ass'y
61	28135199Y	Badge		U17	1A565537-3AY	NAETC-5137-3A, MR/RI terminal pc board ass'y
67	28125268Y	End cap L		U18	1A564538-3Y	NAETC-5138-3, Transformer terminal pc board ass'y
68	28125267Y	End cap R				
81	28325057	Knob, Volume				
84	28325055Y	Knob, Tone				
91	223021	^ Isolation sheet				
92	223023	^ Isolation sheet				
93	880009	Plastic rivet				
99	260208	Wire ties				
F902	252076	^ 3.15A-SE-EAK, Primary fuse				
F903	252075	^ 2.5A-SE-EAK, AC outlet fuse				
JL701	2047402012Y	NCFC7-402012, Flexible flat cable				
P901	253193HIT	^ AS-CEE, Power supply cord				

**NOTE: THE COMPONENTS IDENTIFIED BY MARK  $\Delta$  ARE CRITICAL FOR RISK OF FIRE AND ELECTRIC SHOCK. REPLACE ONLY WITH PART NUMBER SPECIFIED.**

# BLOCK DIAGRAM

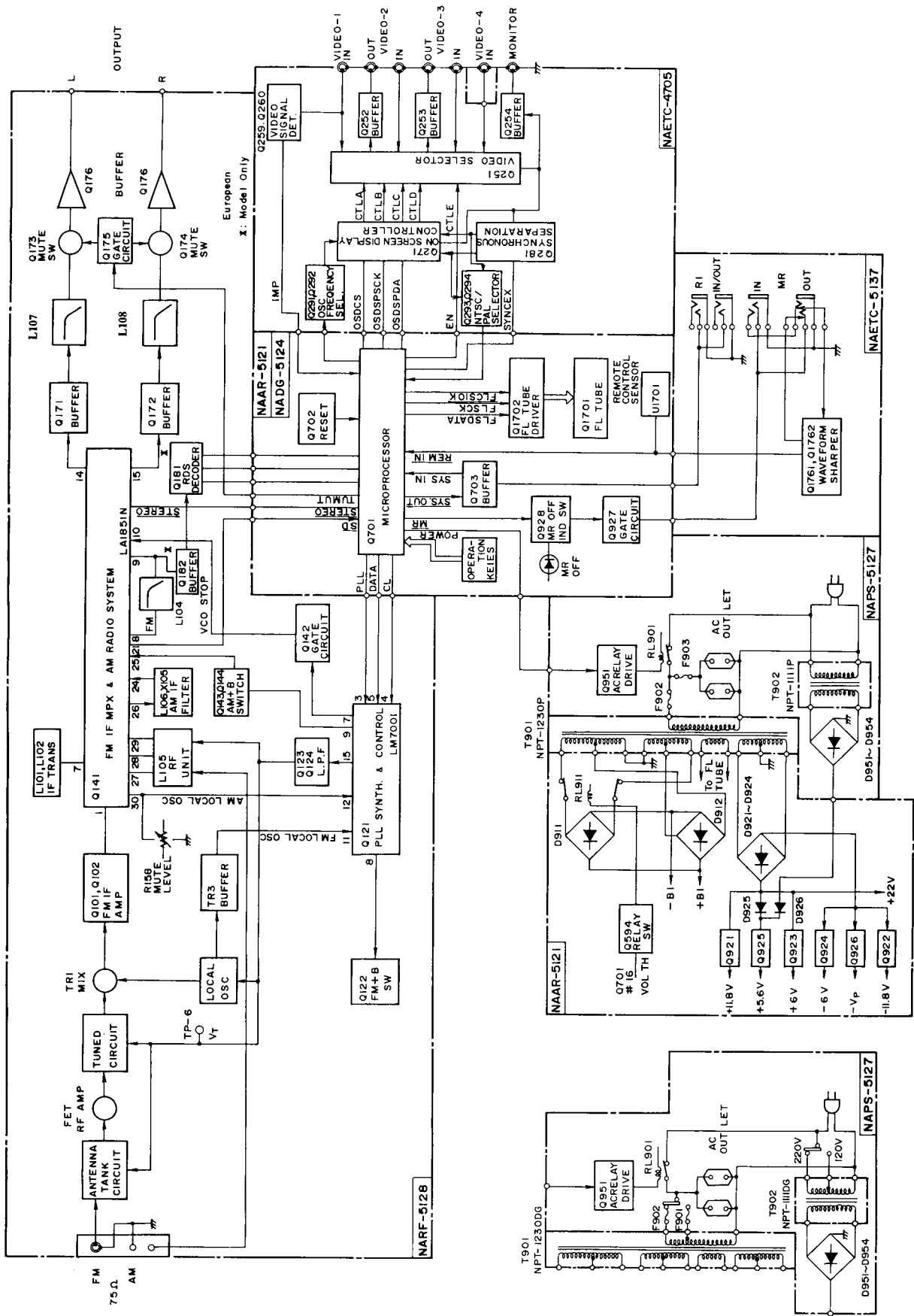
Tuner section  
120V model





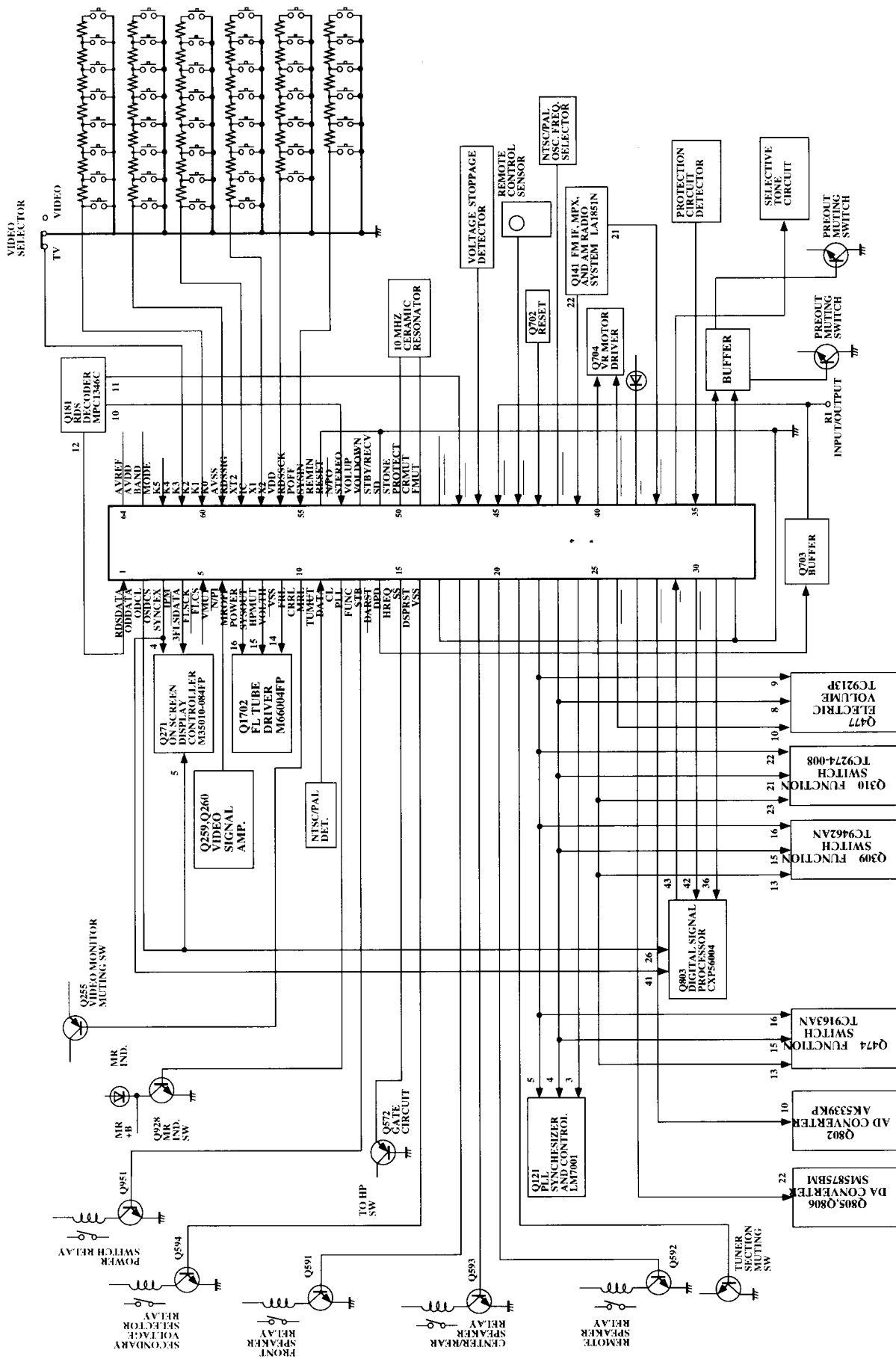
# BLOCK DIAGRAM

Tuner section  
Other models



# MICROPROCESSOR CONNECTION DIAGRAM

## µPD78016CW-021 (MICROPROCESSOR)



## MICROPROCESSOR TERMINAL DESCRIPTIONS

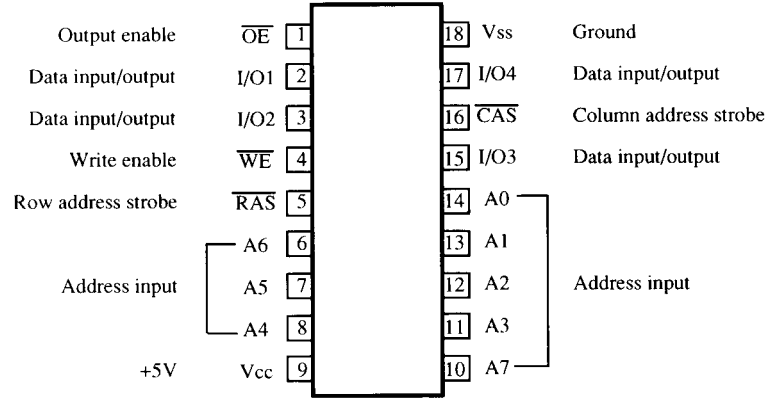
Pin No.	Function	I/O	Description
1	RDSDATA	I	Data input pin from RDS decoder $\mu$ PD1346CS
2	ODDATA	O	Connect to the terminal S1N of OSD controller and terminal MOSI of DSP IC.
3	ODCL	O	Connect to the terminal SCK of OSD controller and terminal SCK of DSP IC.
4	OSDCS	O	Connect to the terminal CS of OSD controller
5	SYNEX	I	Synchronizing signal control input pin for On-screen display controller. L:External synchronizing H:Internal synchronizing
6	IPM	I	Detector input pin for intelligent power management
7	FLSDATA	O	Data output pin for FL tube driver M66004FP
8	FLSCK	O	Clock output pin for FL tube driver M66004FP
9	FLCS	O	Chip select output pin for FL tube driver M66004FP
10	VMUT	O	Muting control output pin for video signal
11	N/P	I	Video signal input pin for NTSC/PAL detector.
12	MROFF	O	Multi room indicator and control output pin
13	POWER	O	Power source control output pin
14	SYSOUT	O	System code output pin
15	HPMUT	O	Muting control output pin for headphone signal
16	VOLTH	O	Secondary voltage control output pin
17	VSS	O	Ground pin
18	FRL	O	Relay control pin for front speaker
19	CRRL	O	Relay control pin for center and rear speakers
20	MRL	O	Relay control pin for multi source
21	TUMUT	O	Muting output pin for tuner section
22	DATA	O	Data output pin. Connect to the terminals DATA of function switch ICs, PLL and electric volume IC.
23	CL	O	Clock output pin. Connect to the terminals CK of function switch ICs, PLL and electric volume IC.
24	PLL	O	Chip enable output pin for PLL IC
25	FUNC	O	Connect to terminal ST of function switches and terminal STB of TC9274N.
26	STB	O	Connect to the terminal STB of electric volume.
27	DARST	O	Reset output pin for DA converter.
28	DPD	O	Control output pin for digital power down.
29	HREQ	I	Connect to the terminal HREQ of DSP IC.
30	SS	O	Connect to the terminal SS of DSP IC.
31	DSPRST	O	Reset output pin for DSP IC.
32	VSS	O	Ground pin
33	FMUT	O	Muting output pin for front amplifier
34	CRMUT	O	Muting output pin for center and rear amplifiers
35	PROTECT	I	Detector input pin of protection circuit. H:On
36	STONE	O	Selective tone circuit control output pin. L:On

Pin No.	Function	I/O	Description
37	SD	I	Detector input pin of broadcast more than muting level
38	STBY/REC	O	Stand-by and received indicator output pin
39	VOLDOWN	O	Volume control output pin
40	VOLUP	O	Refer table 1.
41	STEREO	I	Detector input pin of FM stereo broadcast
42	N/PO	O	NTSC/PAL selector output pin
43	RESET	I	System reset input pin
44	REMIN	I	Remote control signal input pin
45	SYSIN	I	System code input pin.
46	POFF	I	Power stoppage detector input pin
47	RDSSCK	I	Clock input pin from RDS decoder IC $\mu$ PD1346CS
48	VDD	O	Power supply pin (+5V)
49	X2	*	Resonator connection terminal for main system clock
50	X1	*	Connect the ceramic resonator 10MHz.
51	IC		Internal connection pin. Connect to the ground terminal.
52	XT2		Crystal connection pin for sub system clock resonator
53	RDSSIG	I	Detector input pin of RDS broadcast. L:RDS broadcast
54	AVSS		Ground pin of A/D converter
55	K0	I	Operation key connection pin
56	K1	I	Operation key connection pin
57	K2	I	Operation key connection pin
58	K3	I	Operation key connection pin
59	K4	I	Operation key connection pin
60	K5	I	Operation key connection pin
61	MODE	I	Initializing input of operation mode
62	BAND	I	Initializing input of band region and RDS function.
63	AVDO		Analogous power supply of A/D converter
64	AVREF		Reference voltage input pin of A/D converter

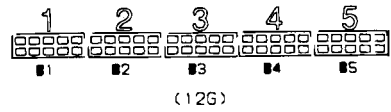
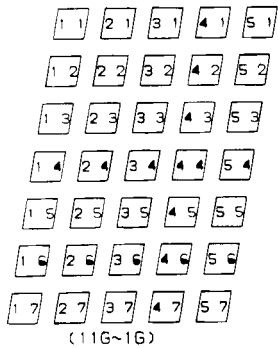
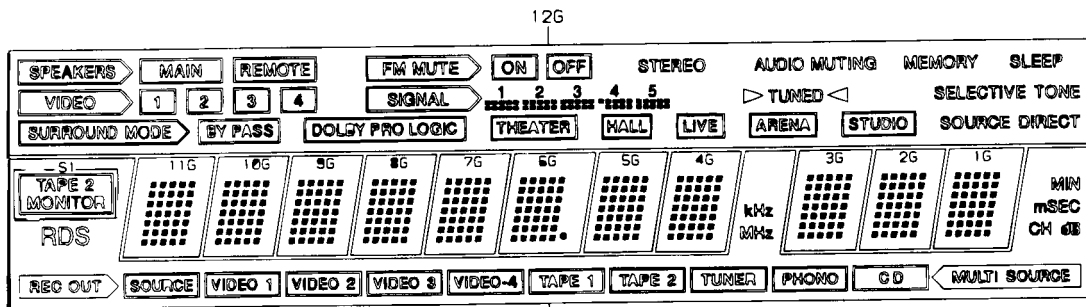
Operation	#39	#40
VOLUME UP	H	L
VOLUME DOWN	L	H
STOP	H	H

Table 1

LH2464-10 (DRAM)



13-BT-138GK (FL TUBE)



PIN NO.	6	6	6	6	5	5	5	5	5	5	5	5	5	5	5	5	4
CONNECTION	F	F	N	N	P	P	P	P	P	P	P	P	P	P	P	P	P
PIN NO.	4	4	4	4	4	4	4	4	4	3	3	3	3	3	3	3	3
CONNECTION	P	P	P	P	P	P	P	P	P	P	P	P	P	P	P	P	P
PIN NO.	2	2	2	2	2	2	2	2	2	2	2	2	2	2	2	2	2
CONNECTION	P	P	P	P	P	P	P	N	N	N	N	N	N	N	N	N	1
PIN NO.	1	1	1	1	1	1	1	9	8	7	6	5	4	3	2	1	1
CONNECTION	1	1	1	1	1	1	1	G	G	G	G	G	G	N	N	F	F

NOTE: F1,F2...Filament  
 NP.....No pin  
 NC...No connection  
 1G ~ 13G....Grid

## XC56004FJ50 (DSP)

Pin No.	Symbol	Description
1	AGND	GND:EMI control output buffer pin
2	AMC0	This output is Chip selector 0 for SRAM accesses.
3	MA15/MCS3	Address Line 15/Chip Selector 3
4	MA14	Address output for DRAM access
5	MA13	Address output for DRAM access
6	AVCC	Vcc:EMI address/control output buffer pin
7	MA12	Address output for DRAM access
8	AGND	GND:EMI address output buffer pin
9	QVCC	Vcc:Internal Logic supply pin
10	QGND	GND:Internal Logic supply pin
11	MA11	Address output for DRAM access
12	MA10	Address output for DRAM access
13	MA9	Address output for DRAM access
14	MA8	Address output for DRAM access
15	AGND	GND:EMI address output buffer pin
16	MA7	Address output for DRAM access
17	AVCC	Vcc:EMI address/control output buffer pin
18	MA6	Address output for DRAM access
19	MA5	Address output for DRAM access
20	MA4	Address output for DRAM access
21	AGND	GND:EMI address output buffer pin
22	MA3	Address output for DRAM access
23	MA2	Address output for DRAM access
24	MA1	Address output for DRAM access
25	MA0	Address output for DRAM access
26	SCK/SCL	SPI Serial Clock/I C Serial clock
27	EXTAL	This input should be connected to an external clock source.
28	QVCC	Vcc:Internal Logic supply pin
29	QGND	GND:Internal Logic supply pin
30	PINIT	PLL Initialization pin
31	PGND	GND:PLL supply pin
32	PCAP	Off-chip capacitor connection pin for PLL filter
33	PVCC	Vcc:PLL supply pin
34	SGND	GND:SAI,SHI & ONCE output buffer supply pin
35	MISO/SDA	SPI Master-In-Slave-Out/I C Data and Acknowledge
36	RESET	This input is a direct hardware reset of the processor.
37	MODA/IRQA	Mode Select A/External Interrupt Request A/STOP Recovery
38	MODB/IRQB	Mode Select B/External Interrupt Request B
39	MODC/NMI	Mode Select C/Non-Maskable Interrupt Request
40	SVCC	Vcc:SAI,SHI & ONCE output buffer supply pin

Pin No.	Symbol	Description
41	MOSI/HA0	SPI Master-Out-Slave-In/I C Slave Address 0
42	SS/HA2	SPI Slave Selector/I C Slave Address 2
43	HREQ	Host Request
44	SGND	GND:SAI,SHI & ONCE output buffer supply pin
45	SDO2	Serial Data Output 2
46	SDO1	Serial Data Output 1
47	SDO0	Serial Data Output 0
48	SVCC	Vcc:SAI,SHI & ONCE output buffer supply pin
49	SCKT	Transmit Serial Clock
50	WST	Transmit Word Select
51	SCKR	Receive Serial Clock
52	QGND	GND:Internal Logic supply pin
53	QVCC	Vcc:Internal Logic supply pin
54	SGND	GND:SAI,SHI & ONCE output buffer supply pin
55	WSR	Receive Word Select
56	SDI1	Serial Data Input 1
57	SDI0	Serial Data Input 0
58	DSO	Debug Serial Output
59	DSI/OSO	Debug Serial Input/Chip Status 0
60	DSCK/OS1	Debug Serial Clock/Chip Status 1
61	DR	Debug Request Input
62	MD7	Data Bus input/output pin
63	MD6	Data Bus input/output pin
64	MD5	Data Bus input/output pin
65	MD4	Data Bus input/output pin
66	DGND	GND:EMI data bus & GPIO output buffer pin
67	MD3	Data Bus input/output pin
68	MD2	Data Bus input/output pin
69	MD1	Data Bus input/output pin
70	DVCC	Vcc:EMI data bus & GPIO output buffer pin
71	MDO	Data Bus input/output pin
72	DGND	GND:EMI data bus & GPIO output buffer pin
73	GPIO3	General Purpose Input/Output 3
74	GPIO2	General Purpose Input/Output 2
75	GPIO1	General Purpose Input/Output 1
76	GPIO0	General Purpose Input/Output 0
77	MRD	Data Read Strobe
78	MWR	Data Write Strobe
79	MA17/MCS1/MRAS	Address Line 17/Chip selector 1/Row Address Strobe
80	MA16/MCS2/MCAS	Address Line 16/Chip selector 2/Column Address Strobe

# ADJUSTMENT PROCEDURES

## Preparation

### 1. Input

FM mono: 1kHz, 75kHz devi., 60dB/ $\mu$ V

FM stereo: 1kHz, 67.5kHz devi., 60dB/ $\mu$ V

Pilot signal 19kHz 7.5kHz devi.

AM: 400Hz, 30% mod.

### 2. Outputs

Connect the non-inductive type resistor of 8 ohms to the all speaker terminals unless otherwise noted.

## 1.FM ADJUSTMENT

Item	Step	Connection of instrument	FM SG output	Stereo modulator output	Tuning frequency	Output indicator	Adjustment point	Adjust for	Remarks
FM IF/RF	1	Fig.1	99.0MHz 1kHz 75kHz devi. 65dBf(60dB)	—	99.0MHz	DC voltmeter	L101	0 $\pm$ 20mV	FM MUTE/MODE switch:OFF/MONO Repeat the steps 1 and 3 until no further adjustment is necessary.
	AC voltmeter					IFT on the front end	Maximum		
	Distortion analyzer					L102	Minimum		
Stereo Distortion		Fig.2	99.0MHz Ext. mod.65dBf(60dB)	Channel L or R 1kHz	99.0MHz	Distortion analyzer	IFT on the front end	Minimum	Don't turn more than $\pm 180^\circ$
Stereo Separation	1	Fig.2	99.0MHz Ext. mod. 65dBf(60dB)	Channel L 1kHz	99.0MHz	Channel R AC voltmeter	R150	Minimum	Maximum and same separation
	2			Channel R 1kHz		Channel L AC voltmeter		Minimum	
Muting Level		Fig.2	99.0MHz 19.2dBf(14dB)	—	99.0MHz	Oscilloscope	R158	Signal output	
RDS		Fig.3	99.0MHz Ext. mod.60dB	RDS data or 57kHz 3% devi.	99.0MHz	Oscilloscope	R191	Maximum	TX-SV727R only

## 2.AM ADJUSTMENT

### 120V model

Step	AM SG output	Tuning Frequency	Output Indicator	Adjustment point	Adjust for
1		530kHz	Digital DC voltmeter	OSC coil on RF block L151	1.4 $\pm$ 0.2V
2	600kHz 400Hz 30% mod. 60dB/m	600kHz	AC voltmeter	RF coil on RF block L151	Maximum
3	990kHz 400Hz 30% mod. 60dB/m	990kHz	AC voltmeter	L152	Maximum

### Reference Specification

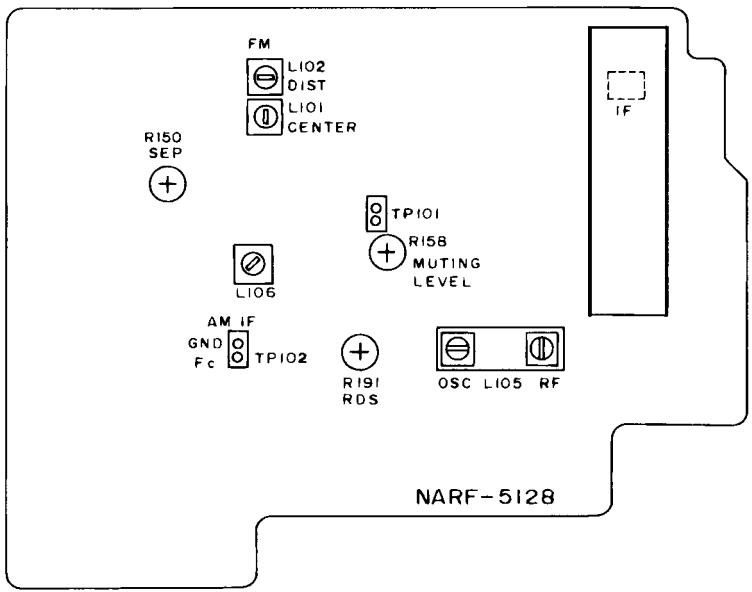
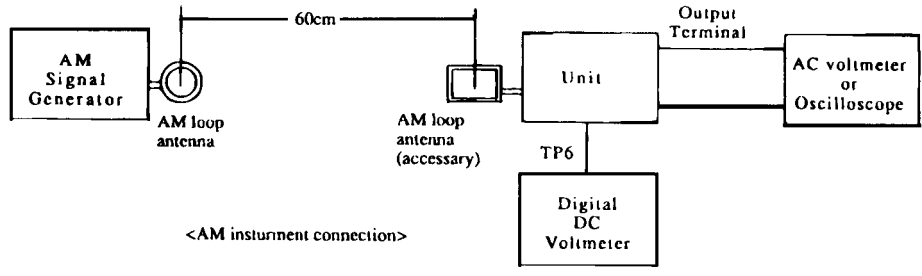
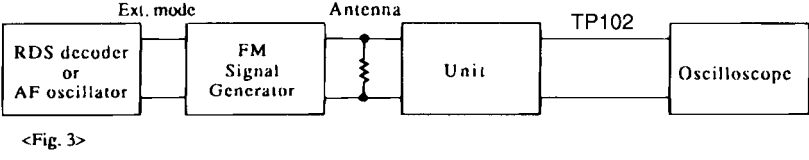
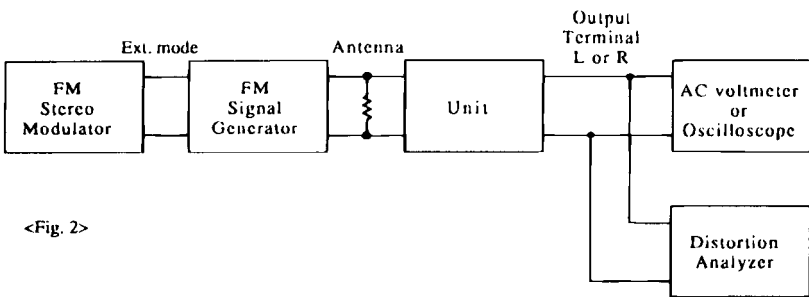
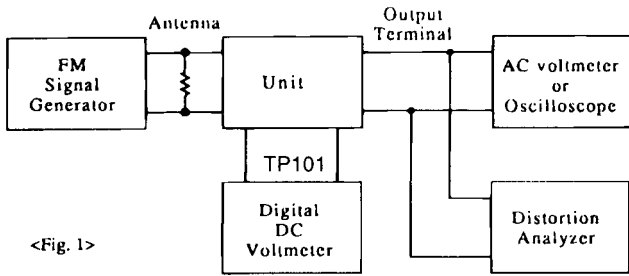
FM tuned voltage:87.5MHz~108.0MHz  
More than 1.3V ~ Less than 10V  
AM tuned voltage:530kHz~1710kHz  
1.4 $\pm$ 0.2V~Less than 9.0V

### 230V and Wolrdwide models

Step	AM SG output	Tuning Frequency	Output Indicator	Adjustment point	Adjust for
1		522kHz or 531kHz	Digital DC voltmeter	OSC coil on RF block L151	1.3 $\pm$ 0.1V
2	603kHz 400Hz 30% mod. 60dB/m	603kHz	AC voltmeter	RF coil on RF block L151	Maximum
3	999kHz 400Hz 30% mod. 60dB/m	999kHz	AC voltmeter	L152	Maximum

### Reference Specification

FM tuned voltage:87.5MHz~108.0MHz  
More than 1.3V ~ Less than 10V  
AM tuned voltage:522kHz~1611kHz  
1.3 $\pm$ 0.2V~Less than 9.0V  
(230V model)  
AM tuned voltage:531kHz~1602kHz  
1.3V $\pm$ 0.2~Less than 9.0V  
(Worldwide model)



Adjustment point

## PRINTED CIRCUIT BOARD-PARTS LIST

CAUTION: Replacement of the transistor of mark \*, if necessary, must be made from the same beta group (Hrx) as the original type.

## MAIN CIRCUIT PC BOARD (NAAR-5121-3/3A/3B/3C/3D)

CIRCUIT NO.	PART NO.	DESCRIPTION	CIRCUIT NO.	PART NO.	DESCRIPTION
		ICs			Diodes
Q301	22240191	NJM4565D-D	D503,D504	22380012F	HER303F
Q302-Q308	22240293 or 22240247	NJM4558L-D or BA15218N	D505,D506	223205	1SS270A
Q309	22240798	TC9162AN	D571-D574	223163 or	1SS133 or
Q310	22240829	TC9274N-008	D591-D594	223222	WG713A
Q571	22240752	NJM4556L	D603,D604	22380012F	HER303F
Q701	22240907	μ PD78016FCW-034	D605,D606	223205	1SS270A
Q704	22240239	TA7291S	D701-D705	223163 or	1SS133 or
Q921	222780125NEC	78M12HF	D930,D931	223222	WG713A
Q922	222790125	79M12HF	D706	224450562	MTZ5.6B
Q923	222780065JRC	78M06HF	D911,D912	22380038	RBV602
Q924	222790065JRC	79M06HF	D921-D928	22380046 or	AM01Z or
Q925	222780565JRC	78M56	D934	22380035	GP104003E
		Transistors	D929	224453604	MTZ36D
Q515,Q516	2213284 or	2SC1740S-R or	D932	224450623	MTZ6.2C
Q591-Q594	2212115	2SC2458-GR	D933	223205	1SS270A
Q517,Q518	2203010	2SC5171		223163 or	1SS133 or
Q519,Q520	2203000	2SA1930		223222	WG713A
Q521,Q522	2201482,	* 2SC3281-R,			Coils
	2201483,	* 2SC3281-O,	L501,L502	231176S	S-1.3C
	2202822 or	* 2SC5200-R or	L601,L602	231176S	S-1.3C
	2202823	* 2SC5200-O	L701	233454K220	NCH-1452 220K
Q523,Q524	2201472,	* 2SA1302-R,			Resonator
	2201473,	* 2SA1302-O,	X701	3010239Y	CST10.0MTW
	2202812 or	* 2SA1943-R or			Capacitors
	2202813	* 2SA1943-O	C303,C304	354741009	10μ F,16V,Elect.
Q525,Q526	2214984 or	2SC2631-R or	C307,C308	354721019	100μ F,6.3V,Elect.
Q625,Q626	2214985	2SC2631-S	C309,C310	374726224	6200pF±5%,50V,Plastic
Q527,Q528	2214974 or	2SA1123-R or	C311,C312	374721824	1800pF±5%,50V,Plastic
Q627,Q628	2214975	2SA1123-S	C313,C314	354741009	10μ F,16V,Elect.
Q572,Q703	2213510 or	DTA114ES or	C315,C316	354744709	47É F,16V,Elect.
	2214350	RN2202	C523,C524	354741019	100μ F,16V,Elect.
Q573-Q576	2213631 or	RN1241-A or	C525,C526	374721044	0.1μ F±5%,50V,Plastic
	2213632	RN1241-B	C531,C532	354764709	47μ F,35V,Elect.
Q615,Q616	2213284 or	2SC1740S-R or	C533,C534	374724734	0.047μ F±5%,50V,Plastic
	2212115	2SC2458-GR	C537,C538	354741019	100μ F,16V,Elect.
Q621,Q622	2202882,	* 2SD2387-R,	C571-C573	354741009	10μ F,16V,Elect.
	2202883,	* 2SD2387-O,	C623,C624	354741019	100μ F,16V,Elect.
	2202903,	* 2SD2389-O,	C633,C634	374724734	0.047μ F±5%,50V,Plastic
	2202904 or	* 2SD2389-Y or	C637,C638	354741019	100μ F,16V,Elect.
	2202906	* 2SD2389-P	C671	354722219	220μ F,6.3V,Elect.
Q623,Q624	2202872,	* 2SB1558-R,	C701	3000076 or	EECS5R5T104 or
	2202873,	* 2SB1558-O,		3000078	DX-5R5L104,Super
	2202893,	* 2SB1559-O,	C702,C704	354721019	100μ F,6.3V,Elect.
	2202894 or	* 2SB1559-Y or	C703	375524744	0.47μ F±5%,50V,Plastic
	2202896	* 2SB1559-P	C705,C709	354741009	10μ F,16V,Elect.
Q671,Q672	2211732 or	2SC1845-F or	C710	354721019	100μ F,6.3V,Elect.
	2211733	2SC1845-E	C915,C916	3504259	12000μ F,71V,Elect.
Q673	2211792 or	2SA992-F or	C923	354754729	4700μ F,25V,Elect.
	2211793	2SA992-E	C924	354761029	1000μ F,35V,Elect.
Q702	221282 or	DTC144ES or	C927,C928	354741009	10μ F,16V,Elect.
	2213560	RN1204	C931,C932	354741009	10μ F,16V,Elect.
Q926	2211455	2SA1015-GR	C933	354751029	1000μ F,25V,Elect.
Q927	2211255	2SC1815-GR	C935	354741009	10μ F,16V,Elect.
Q928	2213640 or	DTC123JS or	C936	354762219	220μ F,35V,Elect.
2214660	RN1205		C937	354782219	220μ F,50V,Elect.
			C940	354754719	470μ F,25V,Elect.
			C944	354761019	100μ F,35V,Elect.



NOTE: <D>:120 V model only  
<P>:230 V model only  
<W>:Worldwide model only

CIRCUIT NO.	PART NO.	DESCRIPTION
Resistors		
R541,R542	443521014	100 Ohm±5%, 1/2W, Metal oxide
R543,R544	4000132	RGC55 0.22OHMK,Metal plate
R549-R552	453630474	4.7 Ohm±5%, 1W, Metal
R553,R554	443523924	3.9 kohm±5%, 1/2W, Metal oxide
R559,R560	453530824	8.2 Ohm±5%, 1/2W, Metal
R567,R568	453530104	1 Ohm±5%, 1/2W, Metal
R569,R570	443521014	100 Ohm±5%, 1/2W, Metal oxide
R643,R644	4000132	RGC55 0.22OHMK,Metal plate
R649,R650	453630824	8.2 Ohm±5%, 1W, Metal
R653,R654	443523324	3.3 kohm±5%, 1/2W, Metal oxide
R659,R660	453530824	8.2 Ohm±5%, 1/2W, Metal
R923	453530104	1 Ohm±5%, 1/2W, Metal
R924	453530824	8.2 Ohm±5%, 1/2W, Metal
R925,R926	443621204	12 Ohm±5%, 1W, Metal oxide
R927	453530824	8.2 Ohm±5%, 1/2W, Metal
R928	443621804	18 Ohm±5%, 1W, Metal oxide
R929,R930	443621214	120 Ohm±5%, 1W, Metal oxide
R931	443522204	22 Ohm±5%, 1/2W, Metal oxide
R934	443523314	330 Ohm±5%, 1/2W, Metal oxide
R935	443522204	22 Ohm±5%, 1/2W, Metal oxide
R938	453530104	1 Ohm±5%, 1/2W, Metal
Relaies		
RL501-RL503	25065339	NRL-2P5A-DC24-046
RL911	25065339	NRL-2P5A-DC24-046
Plugs		
P201a	25055652	NPLG-14P608 <D/W>
	25055653	NPLG-16P609 <P>
P321a	25055133	NPLG-3P117
P535,P536	25055038	NPLG-2P29
P601a	25055651	NPLG-12P607
P602a	25055654	NPLG-18P610
P603a	25055652	NPLG-14P608
P635,P636	25055038	NPLG-2P29
Terminals		
P301-P303	25045300	NPJ-6PDBL159
P304	25045303	NPJ-4PDBL162
P501	25060125	NTM-8PDMN058,Speaker
Wire clammer		
P921	260224	CP-1S
Wire holders		
JL251a	25051096	NSCT-12P883
JL501a	25051108	NSCT-4P895
JL502a	25051088	NSCT-4P875
JL503a	25051087	NSCT-3P874
JL702a	25051091	NSCT-7P878
JL911a	25051113	NSCT-9P900
JL921a	25051109	NSCT-5P896
Wire traps		
JL401b	25055630	NPLG-9P592
JL701a	25050980	NSCT-40P767
Radiators		
Q921a	27160209	RAD-67
Q923a	27160211	RAD-68
D911a	27160345AY	

**SECONDARY CIRCUIT PC BOARD (NAETC-5122-3)**

CIRCUIT NO.	PART NO.	DESCRIPTION
Resistors		
R921,R922	453534794	0.47 Ohm±5%,1/2W, Metal
R941	453534794	0.47 Ohm±5%,1/2W, Metal
Wire holders		
JL911b	25051113	NSCT-9P900
JL921b	25051109	NSCT-5P896

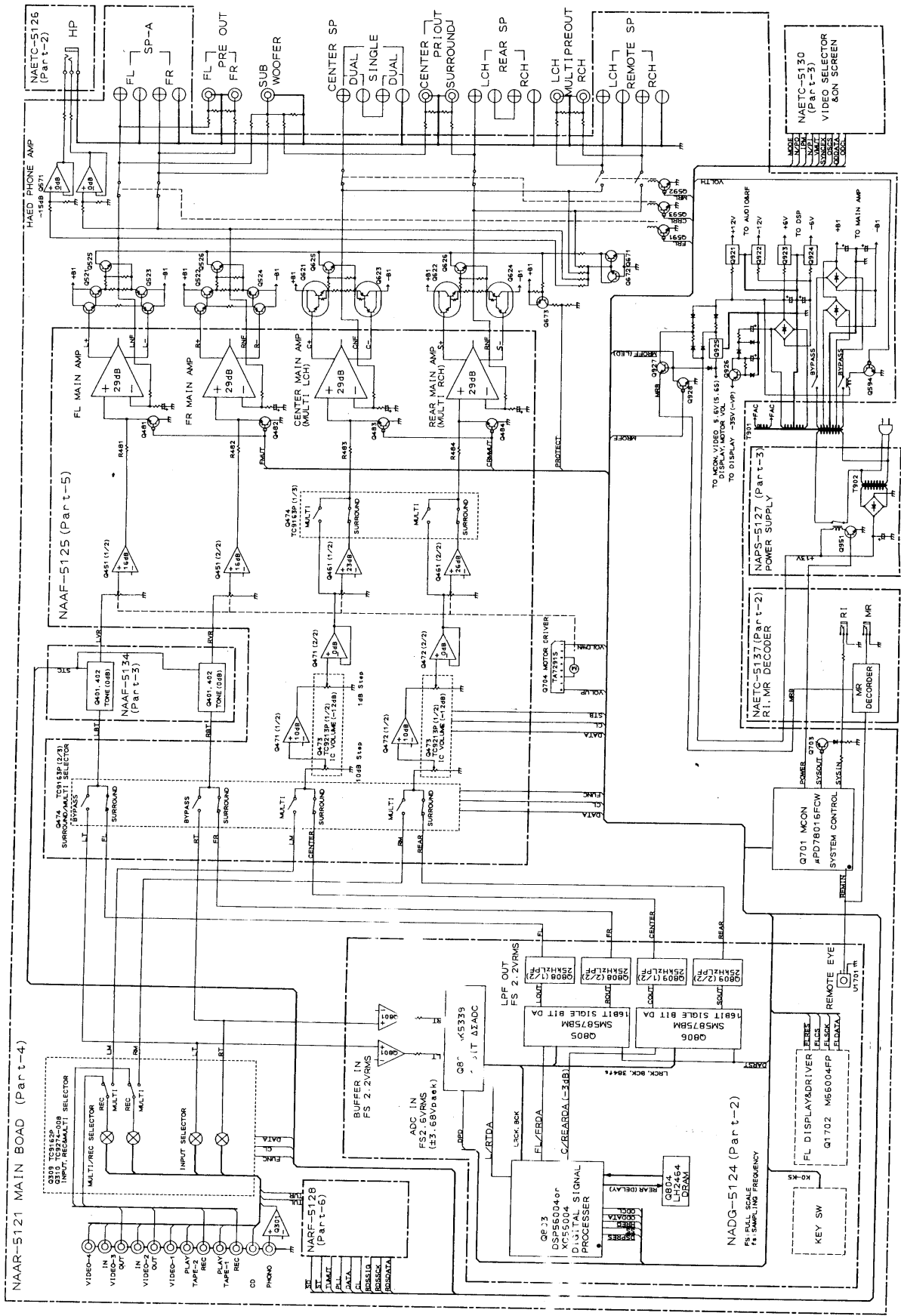
**DISPLAY CIRCUIT PC BOARD (NADIS-5124-3/3A)**

CIRCUIT NO.	PART NO.	DESCRIPTION
Remote sensor		
Q1701	24130010	HC-312
FL tube		
Q1701	212138	13-BT-138GK
ICs		
Q1702	22240685R9	M66004FP
Q801	22240293 or	NJM4558L-D or
Q808,Q809	22240247	BA15218N
Q802	22240524	AK5339-VP or CS5339-KP:
	AK5339-VP and	CS5339-KP are same IC.
Q803	22240831R3	XC56004FJ50
Q804	22240720 or	LH2464-10 or
	22240867	LC32464P-80
Q805,Q806	22240832R9	SM5875BM
Transistors		
Q1703	221282 or	DTC144ES or
	2213560	RN1204
Q1704,Q1705	2213284 or	2SC1740S-R or
	2212115	2SC2458-GR
LEDs		
D1701,D1702	225291D	SEL4910D-D
Diodes		
D1703,D1711	223205	1SS270A.
D1713,D1714	223163 or	1SS133 or
D803-D806	223222	WG713A
D1712	224451303	MTZ13C
D802	22380046 or	AM01Z or
	22380035	GP104003E
Core		
L801	230906	BL02RN2-R62
Coils		
L811	233454K220	NCH-1452 220K
L818-L820	233454K220	NCH-1452 220K
Resonator		
X801	3010112	KD6586FFB
Capacitors		
C1702,C1711	353741009	10µ F,16V,Elect.
C1714	375524744	0.47µ F±5%.50V,Plastic
C1716	353781009	10µ F,50V,Elect.
C1717	353721019	100µ F,6.3V,Elect.
C1718,C1719	375524744	0.47µ F±5%,50V,Plastic
C803,C804	353741009	10µ F,16V,Elect.
C805,C806	374721034	0.01µ F±5%.50V,Plastic
C807-C810	353721019	100µ F,6.3V,Elect.
C815,C818	353721019	100µ F,6.3V,Elect.
C816	353741009	10µ F,16V,Elect.
C824,C829	353721019	100µ F,6.3V,Elect.
C825	374724744	0.47µ F±5%.50V,Plastic
C841,C850	353721019	100µ F,6.3V,Elect.

A B C D E F G

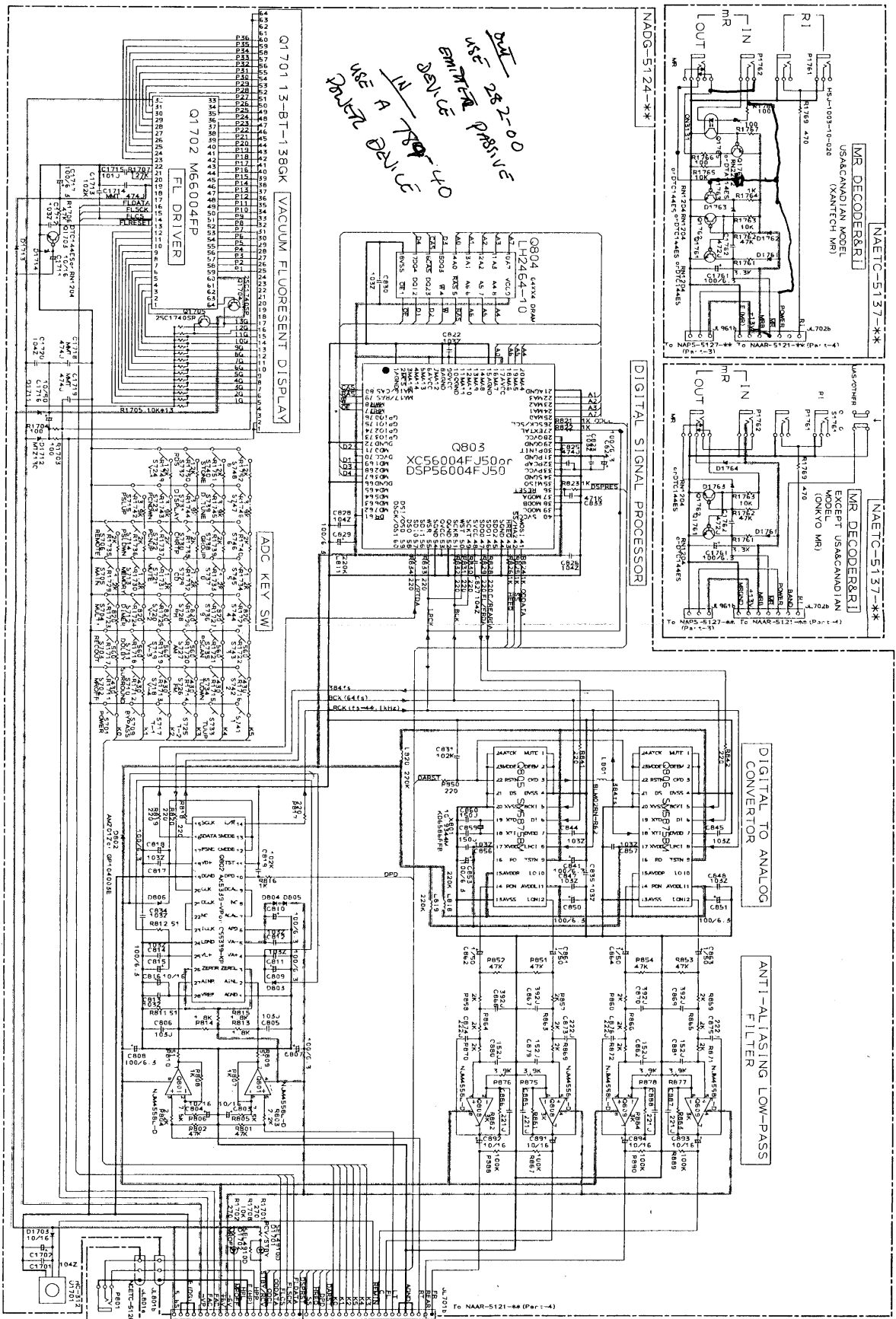
# SCHEMATIC DIAGRAM

## Part 1



A B C D E F G

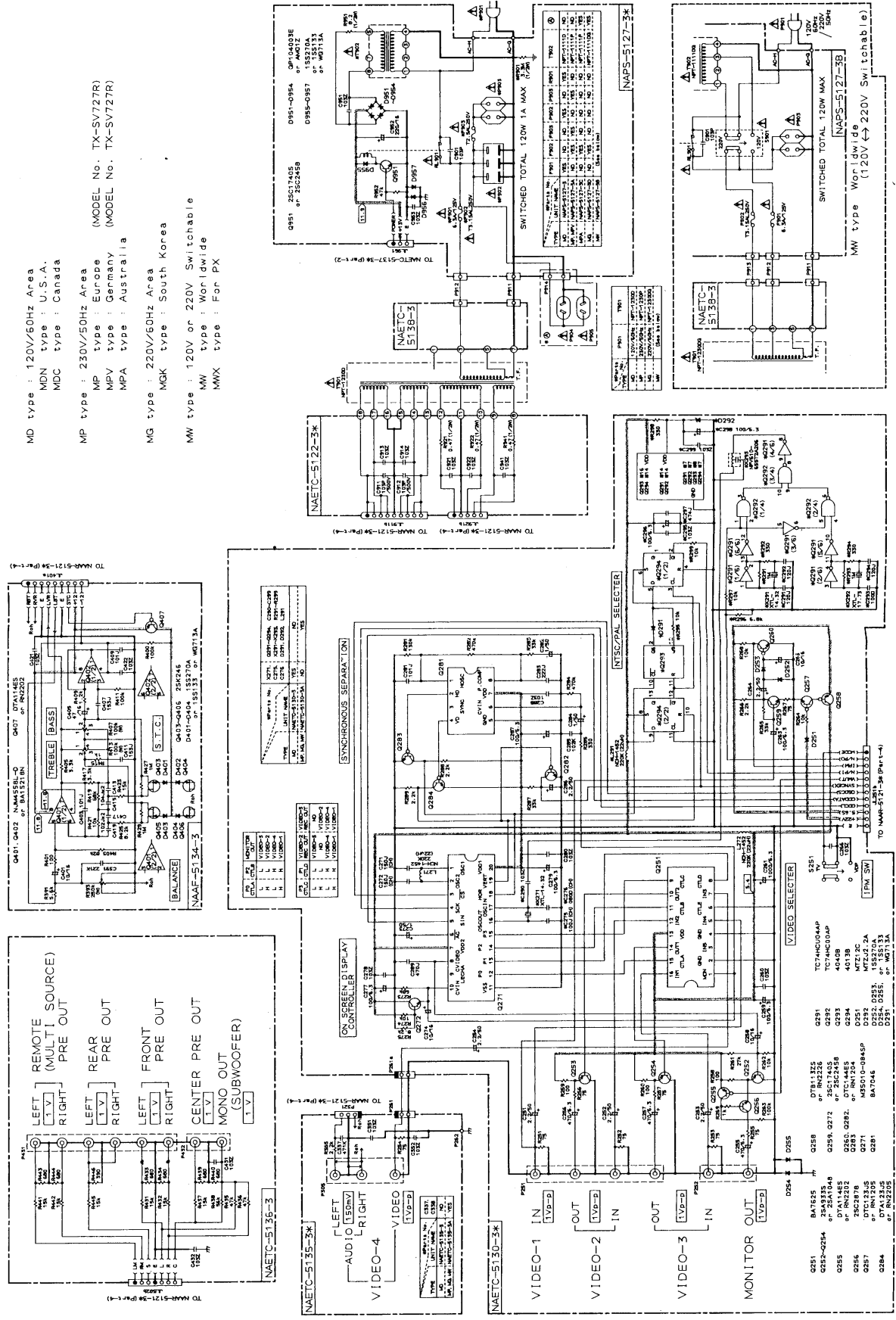
SCHEMATIC DIAGRAM  
Part 2



A B C D E F G

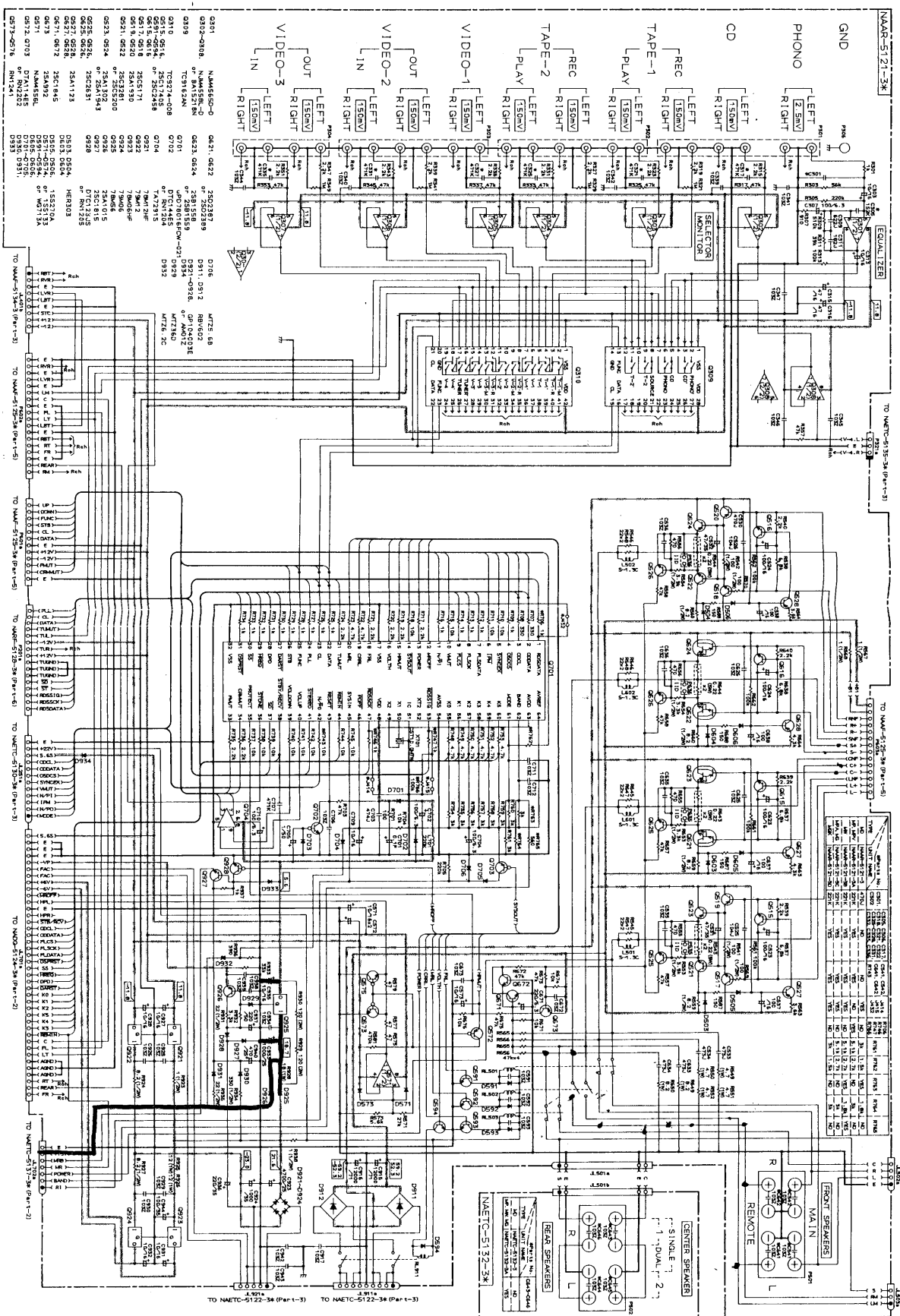
# SCHEMATIC DIAGRAM

Part 3



# SCHEMATIC DIAGRAM

## Part 4



## PRINTED CIRCUIT BOARD-PARTS LIST

NOTE: <D>:120 V model only  
<P>:230 V model only  
<W>:Worldwide model only

CIRCUIT NO.	PART NO.	DESCRIPTION	CIRCUIT NO.	PART NO.	DESCRIPTION
	Capacitors			Capacitors	
C853	353721019	100µ F,6.3V,Elect.	C491,C492	354741009	10µ F,16V,Elect
C861-C864	353780109	1µ F,50V,Elect.	C495-C498	354741009	10µ F,16V,Elect
C867-C870	374723924	3900pF±5%,50V,Plastic	C501,C502	354781009	10µ F,50V,Elect
C873-C876	374722224	2200pF±5%,50V,Plastic	C503,C504	374724714	470pF±5%,50V,Plastic
C879-C882	374721524	1500pF±5%,50V,Plastic	C507,C508	354742219	220µ F,16V,Elect
C885-C888	370132214	220pF±5%,100V,APS	C511,C512	374722224	2200pF±5%,50V,Plastic
C891-C894	353741009	10µ F,16V,Elect.	C513,C514	354721019	100µ F,6.3V,Elect
	Resistor		C519-C522	354700109	1µ F,160V,Elect
R1705	49163103413	10k±13 RMI/101J, Array	C601,C602	354781009	10µ F,50V,Elect
	Push switches		C607,C608	354742219	220µ F,16V,Elect
S701-S706	25035652	NPS-111-S604	C613,C614	354721019	100É F,6.3V,Elect
S709-S715	25035652	NPS-111-S604	C619-C622	354700109	1É F,160V,Elect
S717-S729	25035652	NPS-111-S604		Resistors	
S730-S732	25035652	NPS-111-S604 <P>	R450	5104348AY or 5104349AY	N16RQL50KA25F Variable
S733-S748	25035652	NPS-111-S604	R527,R528	443522204	22 Ohm±5%,1/2W,Metal oxide
	Holder		R529,R530	443528204	82 Ohm±5%,1/2W,Metal oxide
	27190913Y		R531-R534	453530224	2.2 Ohm±5%,1/2W,Metal
	Wire holders		R627,R628	443522204	22 Ohm±5%,1/2W,Metal oxide
JL701b	25050946	NSCT-40P733	R629,R630	443528204	82 Ohm±5%,1/2W,Metal oxide
JL801b	25051087	NSCT-3P874	R631-R634	453530224	2.2 Ohm±5%,1/2W,Metal
	MASTER VOLUME CIRCUIT PC BOARD (NAAF-5125-3/3A)		R929,R930	4400021	120 Ohm±5%,2W,Metal oxide
	CIRCUIT NO. PART NO. DESCRIPTION			Sockets	
	ICs		P601	25050985	NSCT-12P772
Q451,Q461	22240293 or	NJM4558L-D or	P602	25050988	NSCT-18P775
Q471,Q472	22240247	BA15218N	P603	25050986	NSCT-14P773
Q473	22240266	TC9213P		HEADPHONE TERMINAL PC BOARD (NAETC-5126-3)	
Q474	22240799	TC9163AN		CIRCUIT NO. PART NO. DESCRIPTION	
	Transistors		JL801a	25051087	NSCT-3P874,Wire holder
Q481-Q484	2213631 or 2213632	RN1241-A or RN1241-B	P801	25045257	YKB26-5138,Headphone jack
Q491,Q492	2213510 or 2214350	DTA114ES or RN2202		PRIMARY CIRCUIT PC BOARD (NAPS-5127-3/3A/3B/3D)	
Q501-Q504	2211732 or	* 2SC1845-F or		CIRCUIT NO. PART NO. DESCRIPTION	
Q601-Q604	2211733	* 2SC1845-E		Transistor	
Q505,Q506	2213354 or	2SA933S-R or	Q951	2213284 or 2212115	2SC1740S-R or 2SC2458-GR
Q605,Q606	2212125	2SA1048-GR		Diodes	
Q507,Q508	2211732 or	2SC1845-F or	D951-D954	22380046 or 22380035	AM01Z or GP104003E
Q607,Q608	2211733	2SC1845-E	D955-D957	223205	ISS270A
Q509,Q510	2213284 or	2SC1740S-R or		223163 or 223222	ISS133 or WG713A
Q609,Q610	2212115	2SC2458-GR		Power transformer	
Q511,Q512	2211353 or	2SA949-O or	T901	2300670AY	NPT-1111D <D>
Q611,Q612	2211354	2SA949-Y		2300671AY	NPT-1111P <P>
Q513,Q514	2211633 or	2SC2229-O or		2300672AY	NPT-1111DG <W>
Q613,Q614	2211634	2SC2229-Y		Capacitors	
	Diodes		C901	3500065A	DE7150FZ103P AC400/125V,IS
D491,D492	223205	ISS270A	C952	354742219	220µ F,16V,Elect.
D501,D502	223163 or	ISS133 or		Resistors	
D601,D602	223222	WG713A	R901	431523355	3.3 Mohm,1/2W,Solid <D>
	Capacitors		R951	453530824	8.2 Ohm±5%,1/2W,Metal
C451,C452	354780229	2.2µ F,50V,Elect		Relay	
C457-C460	354741009	10µ F,16V,Elect	RL901	25065248	NRL-1P15A-DC12-29 <D/W>
C461,C462	354780229	2.2µ F,50V,Elect		25065483	NRL-1P15A-DC12-084 <P>
C467-C470	354741009	10µ F,16V,Elect		Plug	
C471,C472	354780229	2.2µ F,50V,Elect	P901a	25055675	NPLG-2P631 <D/P>
C475,C476	354741009	10µ F,16V,Elect			
C477,C478	354780229	2.2µ F,50V,Elect			
C479,C480	354741009	10µ F,16V,Elect			

**CAUTION:** Replacement of the transistor of mark \*, if necessary, must be made from the same beta group (Hrz) as the original type.

**NOTE:** THE COMPONENTS IDENTIFIED BY MARK  $\Delta$  ARE CRITICAL FOR RISK OF FIRE AND ELECTRIC SHOCK. REPLACE ONLY WITH PART NUMBER SPECIFIED.

CIRCUIT NO.	PART NO.	DESCRIPTION
		AC outlet
P902	25051124	$\Delta$ NSCT-6P911 <D>
	25051125	$\Delta$ NSCT-4P912 <P/W>
		Fuseholders
F901a	25050065	$\Delta$ YSH403T <D/W>
F902a	25050065	$\Delta$ YSH403T <P/W>
F903a	25050065	$\Delta$ YSH403T <P>
		Fuse
F901	252166Y	$\Delta$ 6.3A-UL/T-237, Primary <D/W>
F902	252076	$\Delta$ 3.15A-SE-EAK, Primary <P/W>
F903	252075	$\Delta$ 2.5A-SE-EAK, AC outlet <P>
		Wire holder
JL961a	25051087	NSCT-3P874
		Switch
S901	25065437	$\Delta$ NSS-22157P, Voltage selector <W>

**VIDEO CIRCUIT PC BOARD (NAETC-5130-3/3A)**

CIRCUIT NO.	PART NO.	DESCRIPTION
		ICs
Q251	22240373	BA7625
Q271	22240719	M35010-084SP
Q281	22240830Y	BA7046
Q291	222740046TOS	TC74HCU04AP <P/W>
Q292	222740005TOS	TC74HC00AP <P/W>
Q293	222840401	4040B <P/W>
Q294	222840131	4013B <P/W>
		Transistors
Q252-Q254	2213354 or 2212125	2SA933S-R or 2SA1048-GR
Q255	2213510 or 2214350	DTA114ES or RN2202
Q256	2212285 or 2212286	2SC2878-A or 2SC2878-B
Q257	2213640 or 2214660	DTC123JS or RN1205
Q258	2213830 or 2214690	DTB113ZS or RN2226
Q259	2213284 or 2212115	2SC1740S-R or 2SC2458-GR
Q260,Q282	221282 or 2213560	DTC144ES or RN1204
Q283	2213560	RN1204
Q272	2213284 or 2212115	2SC1740S-R or 2SC2458-GR
Q284	2213710 or 2214670	DTA123JS or RN2205
		Diodes
D251	224451203	MTZ12C
D252-D255	223205 223163 or 223222	ISS270A ISS133 or WG713A
D291	223205 223163 or 223222	ISS270A ISS133 or WG713A <P/W>
D292	224470221	MTZJ2.2A <P/W>
		Coils
L271,L272	233454K220	NCH-1452 220K
L291	233454K220	NCH-1452 220K <P/W>
		Resonators
X271	3010167	XTL-14.32M,Crystal <D>

CIRCUIT NO.	PART NO.	DESCRIPTION
X291	3010167	XTL-14.32M,Crystal <P/W>
X292	3010238Y	XTL-17.73M,Crystal <P/W>
		Filter
X293	3030018	NFV610-655T2A206 <P/W>
		Capacitors
C251-C254	354780229	2.2 $\mu$ F,50V,Elect
C255-C257	354724719	470 $\mu$ F,6.3V,Elect
C258	354741009	10 $\mu$ F,16V,Elect
C259	354721019	100 $\mu$ F,6.3V,Elect
C261	354721029	1000 $\mu$ F,6.3V,Elect
C263	354721019	100 $\mu$ F,6.3V,Elect
C264	354780229	2.2 $\mu$ F,50V,Elect
C265	354741009	10 $\mu$ F,16V,Elect
C273	354780109	1 $\mu$ F,50V,Elect
C274	354741009	10 $\mu$ F,16V,Elect
C277	354721019	100 $\mu$ F,6.3V,Elect
C279	354721019	100 $\mu$ F,6.3V,Elect
C282	354780109	1 $\mu$ F,50V,Elect
C283	374722224	2200pF $\pm$ 5%,50V,Plastic
C284	354780109	1 $\mu$ F,50V,Elect
C286	354780229	2.2 $\mu$ F,50V,Elect
C287	354721019	100 $\mu$ F,6.3V,Elect
C296,C298	354721019	100 $\mu$ F,6.3V,Elect. <P/W>
C297	375524744	0.47 $\mu$ F $\pm$ 5%,50V,Plastic <P/W>
		Switch
S251	25065286	NSS-22112
		Terminals
P251	25045339	NPJ-4PDYE190
P252	25045395	NPJ-2PDYE221
		Plug
P261a	25055132	NPLG-2P116
		Wire trap
JL251b	25055633	NPLG-12P595

**SPEAKER TERMINAL PC BOARD (NAETC-5132-3/3A)**

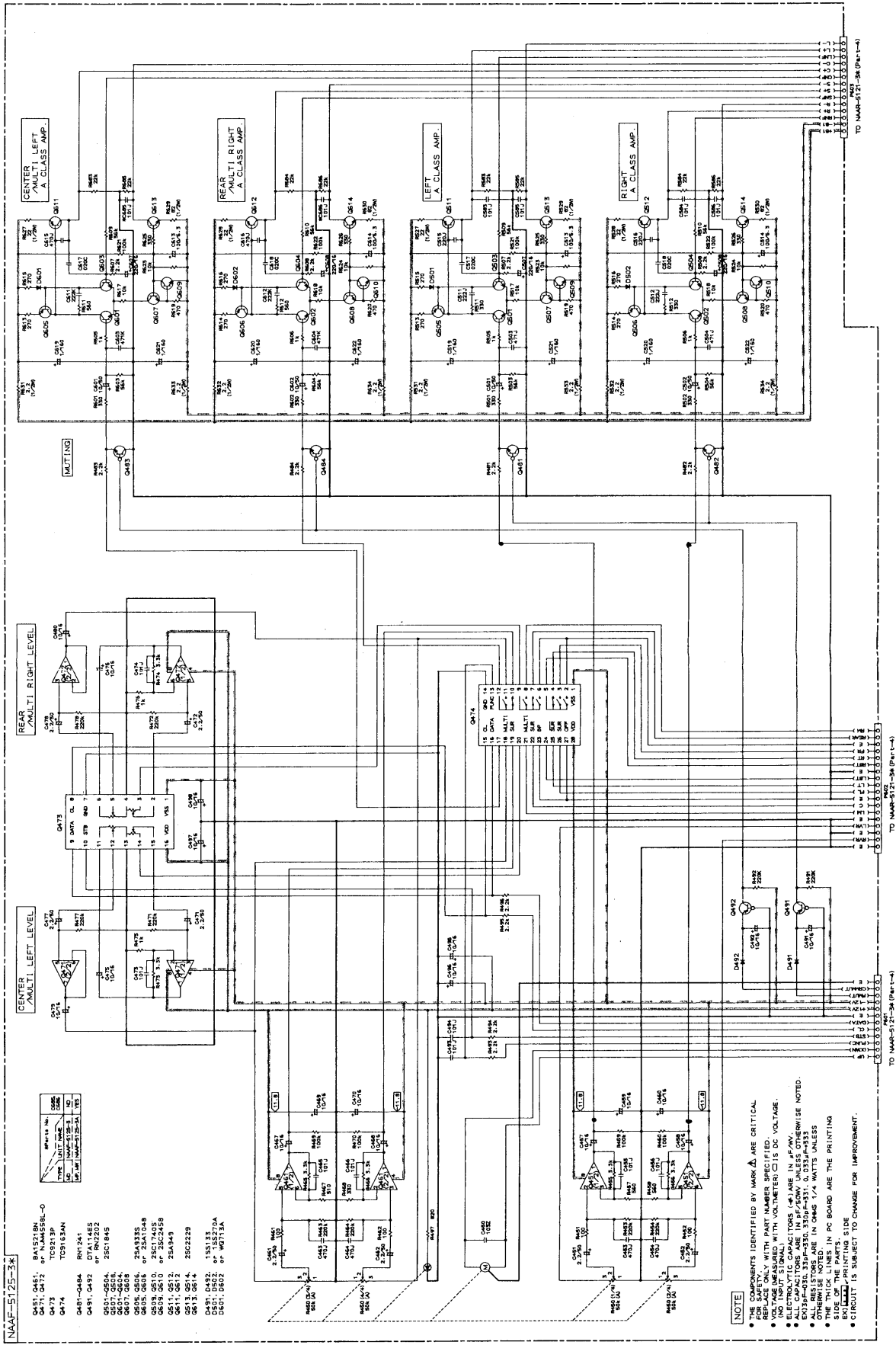
CIRCUIT NO.	PART NO.	DESCRIPTION
P503	25060125	NTM8PDMN058,Speaker terminal
JL501b	25050268	NSCT-4P96, Wire trap

**TONE CONTROL CIRCUIT PC BOARD (NAAF-5134-3)**

CIRCUIT NO.	PART NO.	DESCRIPTION
		ICs
Q401,Q402	22240293 or 22240247	NJM4558L-D or BA15218N
		Transistors
Q403-Q406	2211945	2SK246-GR
Q407	2213510 or 2214350	DTA114ES or RN2202
		Diodes
D401-D404	223205 223163 or 223222	ISS270A ISS133 or WG713A
		Resistors
R393	5104225	N11RGLC250KW22Z, Variable
R407,R413	5104230	N14RLC100KWT22Z, Variable
		Wire holder
JL401a	25051093	NSCT-9P880

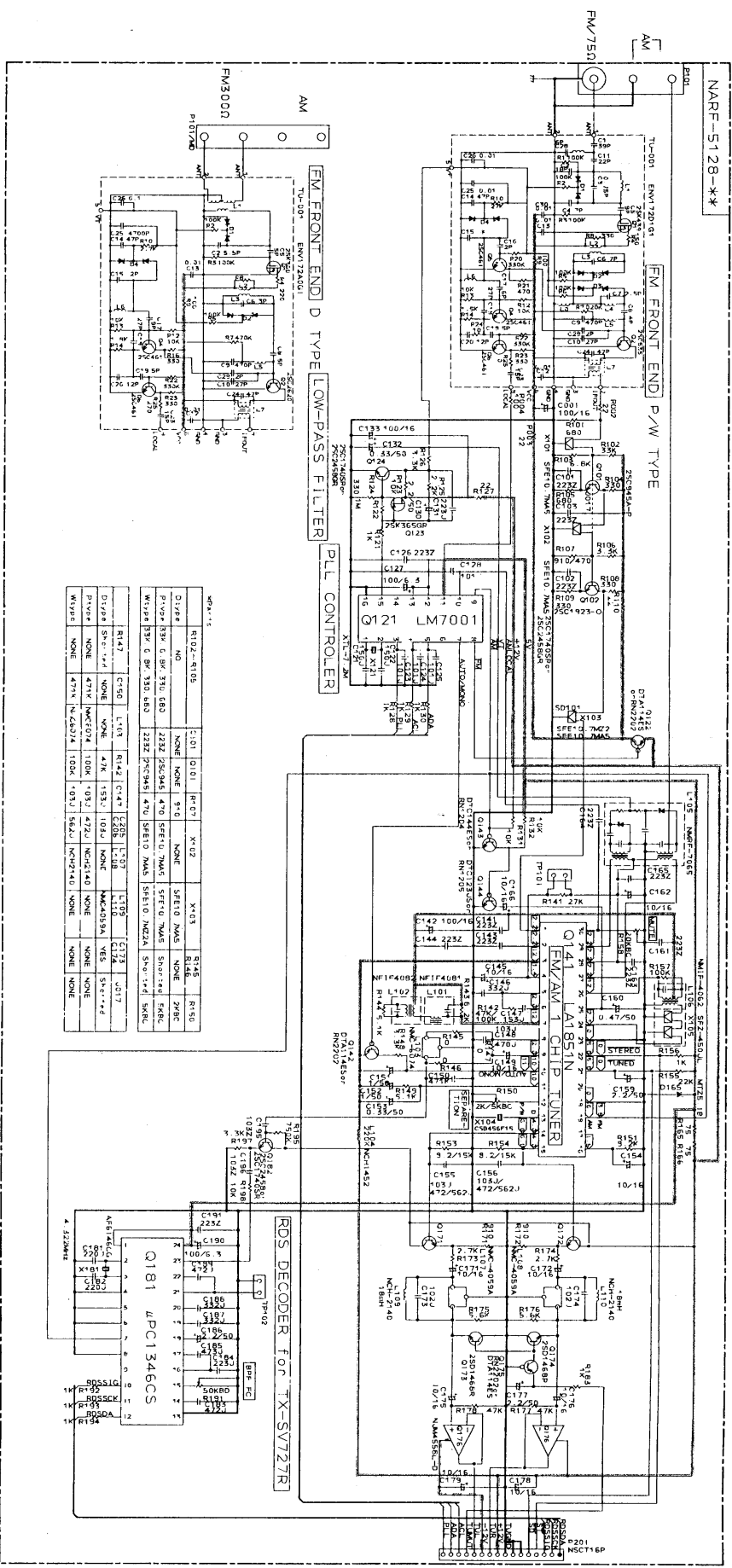
A B C D E F G

**SCHEMATIC DIAGRAM**  
Part 5





SCHEMATIC DIAGRAM  
Part 6



RF-11	RF-12	RF-13	RF-14	RF-15	RF-16	RF-17	RF-18	RF-19	RF-20
R102-R105	C101	R101	R107	X102	X103	R106	R108	R109	R110
D106	NONE	NONE	NONE	NONE	NONE	NONE	NONE	NONE	NONE
D107	NONE	47K	15K	100K	NONE	470K	100K	100K	100K
D108	NONE	100K	100K	100K	100K	100K	100K	100K	100K
D109	NONE	100K	100K	100K	100K	100K	100K	100K	100K
D110	NONE	100K	100K	100K	100K	100K	100K	100K	100K
D111	NONE	100K	100K	100K	100K	100K	100K	100K	100K
D112	NONE	100K	100K	100K	100K	100K	100K	100K	100K
D113	NONE	100K	100K	100K	100K	100K	100K	100K	100K
D114	NONE	100K	100K	100K	100K	100K	100K	100K	100K
D115	NONE	100K	100K	100K	100K	100K	100K	100K	100K
D116	NONE	100K	100K	100K	100K	100K	100K	100K	100K
D117	NONE	100K	100K	100K	100K	100K	100K	100K	100K
D118	NONE	100K	100K	100K	100K	100K	100K	100K	100K
D119	NONE	100K	100K	100K	100K	100K	100K	100K	100K
D120	NONE	100K	100K	100K	100K	100K	100K	100K	100K

5

4

3

2

1

A

B

C

D

E

F

G

# PRINTED CIRCUIT BOARD-PARTS LIST

## CIRCUIT NO. PART NO. DESCRIPTION

CIRCUIT NO.	PART NO.	DESCRIPTION
		Capacitors
C401,C402	354741009	10 $\mu$ F,16V,Elect.
C405,C406	354744709	47 $\mu$ F,16V,Elect.
C407,C408	374721534	0.015 $\mu$ F $\pm$ 5%,50V,Plastic
C411,C412	374721534	0.015 $\mu$ F $\pm$ 5%,50V,Plastic
C413-C416	374721044	0.1 $\mu$ F $\pm$ 5%,50V,Plastic
C417-C420	374721024	1000pF $\pm$ 5%,50V,Plastic

## FRONT TERMINAL PC BOARD (NAETC-5135-3/3A)

CIRCUIT NO.	PART NO.	DESCRIPTION
P261	2009990281	NSAS-4P0409,Socket
P305	25045402	NPJ-3PDBL227,Terminal
P321	2009990125	NSAS-6P0190,Socket

## PRE. OUTPUT TERMINAL PC BOARD (NAETC-5136-3)

CIRCUIT NO.	PART NO.	DESCRIPTION
P431	25045300	NPJ-6PDBL159,Terminal
P432	25045298	NPJ-2PDBL157,Terminal
JL502b	25055628	NPLG-7P590,Plug

## MR/RI TERMINAL PC BOARD (NAETC-5137-3/3A/3B)

CIRCUIT NO.	PART NO.	DESCRIPTION
		Transistors
Q1761,Q1762	221282 or 2213560	DTC144ES or RN1204
Q1763	221282 or 2213560	DTC144ES or RN1204 <D>
Q1764	2213510 or 2214350	DTA114ES or RN2202 <D>
		Photo coupler
Q1765	24120043	ON3131 <D>
		Diodes
D1761,D1763	223205 223163 or 223222	1SS270A 1SS133 or WG713A
D1762	223205 223163 or 223222	1SS270A 1SS133 or WG713A <D>
D1764	223205 223163 or 223222	1SS270A, 1SS133 or WG713A <P/W>
		Capacitors
C1761	354721019	100 $\mu$ F,6.3V,Elect.
C1762	374724724	4700pF $\pm$ 5%,50V,Plastic
		Terminals
P1761	25045172	HSJ-1003-01-020,RI
P1762	25045433	HSJ-1003-01-013,XANTECH <D>
		25045293 HSJ-1003-01-012,MR <P/W>
		Wire trap
JL702b	25055628	NSCT-7P590
		Wire holder
JL961b	25051087	NSCT-3P874
		Switch
S1761	250650286	NSS-22112, Band step <W>

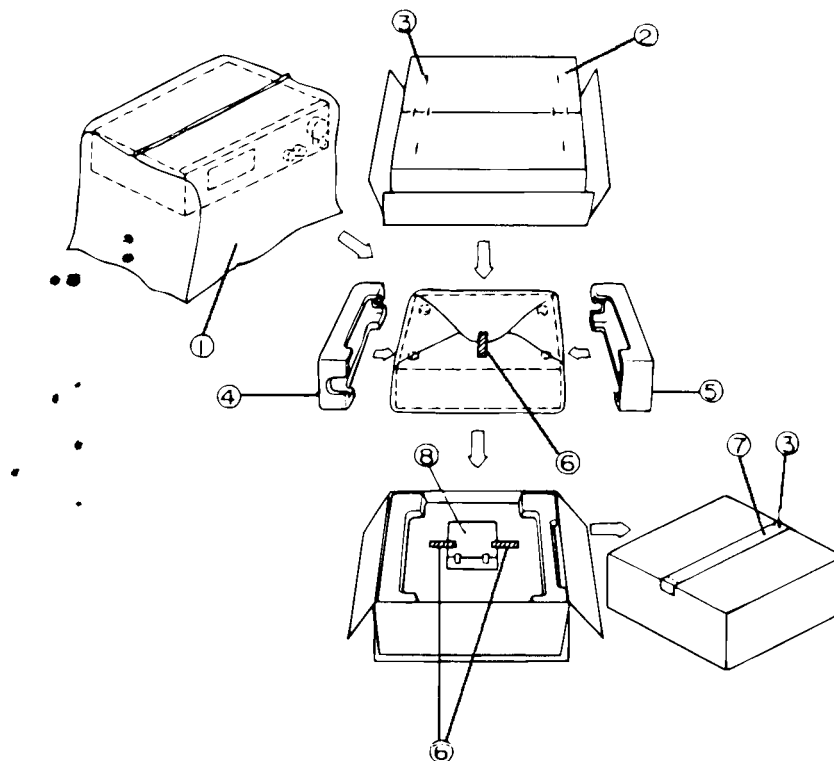
## TUNER CIRCUIT PC BOARD (NARF-5128-3/3A/3B/3C)

CIRCUIT NO.	PART NO.	DESCRIPTION	
		Front end	
TU001	240098Y	ENV172D1G1 <D>	
		240099Y	ENV172A0G1 <P/W>
		ICs	
Q121	22240090	LM7001	
Q141	22240749Y	LA1851N	
Q176	22240293 or 22240247	NJM4558L-D or BA15218N	
Q181	22240679	$\mu$ PC1346CS <P>	
		Transistors	
Q101	2210746	2SC945A-P <P/W>	
Q102	2211723	2SC1923-O	
Q122,Q142	2213510 or	DTA114ES or	
Q175	2214350	RN2202	
Q123	2212445	2SK365-GR	
Q124	2213284 or	2SC1740S-R or	
Q171,Q172	2212115	2SC2458-GR	
Q143	221282 or 2213560	DTC144ES or RN1204	
Q144	2213640 or 2214660	DTC123JS or RN1205	
Q173,Q174	2212794	2SD1468-R	
Q182	2213284 or 2212115	2SC1740S-R or 2SC2458-GR <P>	
		Diode	
D165	224450512	MTZ5.1B	
		Transformers	
L101	233457Y	NFIF-4081	
L102	233458Y	NFIF-4082	
L106	232139	NMIF-4062	
		Coils	
L103	233471Y	NMC-6084 <P/W>	
L104	233454M022	NCH-1452 022M	
L107,L108	233355A	NMC-4059 <P/W>	
L109,L110	231092	NCH-2140 <D>	
		RF block	
L105	232163A	NMRF-7065	
		Resonators	
X104	3010227Y	CSB456F15,Ceramic	
X121	3010141	XTL-7.2M,Crystal	
X181	3010203	AF6146CG <P>	
		Ceramic filters	
X101	3010071	SFE10.7MA5	
X102	3010071	SFE10.7MA5 <P/W>	
X103	3010071	SFE10.7MA5 <D>	
		3010130	SFE10.7MZZA <P/W>
X105	3010123	SFZ450JL	
		Capacitors	
C001	354741019	100 $\mu$ F,16V,Elect.	
C127	354721019	100 $\mu$ F,6.3V,Elect.	
C130	354780229	2.2 $\mu$ F,50V,Elect.	
C131	374722234	0.022 $\mu$ F $\pm$ 5%,50V,Plastic	
C132	354783399	0.33 $\mu$ F,50V,Elect.	
C133,C142	354741019	100 $\mu$ F,16V,Elect.	
C145	354741009	10 $\mu$ F,16V,Elect.	
C146	374723324	3300pF $\pm$ 5%,50V,Plastic	
C147	374721534	0.015 $\mu$ F $\pm$ 5%,50V,Plastic <D>	
		374721034	0.01 $\mu$ F $\pm$ 5%,50V,Plastic <P/W>

## TUNER CIRCUIT PC BOARD

CIRCUIT NO.	PART NO.	DESCRIPTION	CIRCUIT NO.	PART NO.	DESCRIPTION
	Capacitors			Resistors	
C149	354780479	4.7 $\mu$ F,50V,Elect.	R150	5210259	N06HR2KBC, Trimming <D>
C151,C152	354780109	1 $\mu$ F,50V,Elect.		5210261	N06HR5KBC, Trimming <P/W>
C153	354783399	0.33 $\mu$ F,50V,Elect.	R158	5210263	N06HR20KBC, Trimming
C154	354741009	10 $\mu$ F,16V,Elect.	R191	5210265	N06HR50KBC, Trimming <P>
C155,C156	374721034	0.01 $\mu$ F $\pm$ 5%,50V,Plastic <D>		Terminal	
	374724324	4300pF $\pm$ 5%,50V,Plastic <P>	P101	25060160 or	NTM-4PDML086 or
	374724724	4700pF $\pm$ 5%,50V,Plastic <W>		25060225	NTM-4PDML147, Antenna <D>
C159	354780229	2.2 $\mu$ F,50V,Elect.		25060117 or	NTM-2PDMN051 or
C160	354784799	0.47 $\mu$ F,50V,Elect.		25060222	NTM-2PDML144, Antenna <P/W>
C162	354741009	10 $\mu$ F,16V,Elect.		Socket	
C166	354744709	47 $\mu$ F,16V,Elect.	P201	25050986	NSCT-14P773 <D>
C171,C172	354741009	10 $\mu$ F,16V,Elect.		25050987	NSCT-16P774 <P>
C173,C174	374721024	1000pF $\pm$ 5%,50V,Plastic <D>		Plugs	
C175,C176	354741009	10 $\mu$ F,16V,Elect.	TP101	25055038	NPLG-2P29
C177	354780229	2.2 $\mu$ F,50V,Elect.	TP102	25055038	NPLG-2P29 <P>
C178,C179	354741009	10 $\mu$ F,16V,Elect.		NOTE: <D>:120 V model only	
C183,C189	374724724	4700pF $\pm$ 5%,50V,Plastic <P>		<P>:230 V model only	
C184	374722234	0.022 $\mu$ F $\pm$ 5%,50V,Plastic <P>		<W>:Worldwide model only	
C185	374724734	0.047 $\mu$ F $\pm$ 5%,50V,Plastic <P>			
C186	354780229	2.2 $\mu$ F,50V,Elect. <P>			
C187,C188	374723324	3300pF $\pm$ 5%,50V,Plastic <P>			
C190	354721019	100 $\mu$ F,6.3V,Elect. <P>			

# PACKING VIEW



REF.NO.	PART NO.	DESCRIPTION
1	29100034-1Y	Styren bag
2	29052828Y	Carton box <D/W>
	29052829Y	Carton box <P>
3	282301	Staple
4	29091615BY	Pad R
5	29091614CY	Pad L
6	261504	Paper tape
7	29110071	PP tape
8	Accessory bag ass'y	
	29100097-1Y	Styren bag
	24140288Y or	RC-288M, Remote control transmitter
	24140288AY	
	3010054	UM-3, Battery
	232140	NMA-3057, AM loop antenna
	292111	FM antenna <D>
	292112	FM antenna <P/W>
	29342050Y	Instruction manual
	29342051Y	Instruction manual <P>
	29342052Y	Instruction manual <C/W>
	29342053Y	Instruction manual <P>
	2010200	Cord RI
	29365019B	Warranty card <N>
	29358002K	Service station list <N>
	29361778Y	Label UPC <N/C>
	29360117Y	Label CSA <C>
	29360778Y	Label FLASH <C/D>
	29355133AY	Instruction sheet <P>
	25065462	FM antenna adaptor <W>
	25055018	CV-K-1, Conversion plug <W>

NOTE:                   <D>:120 V model only  
                               <P>:230 V model only  
                               <N>:U.S.A. model only  
                               <W>:Worldwide model only  
                               <C>:Canadian model only

## NOTES

The TX-SV727(B)MPT type (Taiwanese model) is the same as the TX-SV727R(B)MP type (230V model) with the exception of the following sections.

REF.NO.	PART NAME	MPT type		MP type	
		PART NO.	DESCRIPTION	PART NO.	DESCRIPTION
3	Rear panel	27122058Y		27121996Y	
4	Decorative frame	27315253AY		27215256AY	
51	Front panel ass'y	1A564121Y		1A565121Y	
U1	Pc board ass'y	1A564521-3CY	NAAR-5121-3C	1A565521-3AY	NAAR-5121-3A
U4	Pc board ass'y	1A564524-3Y	NADG-5124-3	1A565524-3AY	NADG-5124-3A
U8	Pc board ass'y	1A564528-3CY	NARF-5128-3C	1A565528-3AY	NARF-5128-3A
	Instruction manual	29342052Y		29342051Y	
	Instruction manual	Not used		29342053Y	
	FM antenna adaptor	25065462		Not used	
	Carton box	29052828Y		29052829Y	

The TX-SV727(B)MGK type (Korean model) is the same as the TX-SV727R(B)MP type (230V model) with the exception of the following sections.

REF.NO.	PART NAME	MGK type		MP type	
		PART NO.	DESCRIPTION	PART NO.	DESCRIPTION
3	Rear panel	27122098Y		27121996Y	
4	Decorative frame	27315253AY		27215256AY	
51	Front panel ass'y	1A564121Y		1A565121Y	
F903	Fuse	Not used		252075	2.5A-SE-EAK
P901	Power supply cord	253213WSE	KS-AS	253193HIT	AS-CEE
P904,5	AC outlet	25051266	NSCT-2P1056	Not used	
T901	Power transformer	2301073Y	NPT-1230DG	2301072Y	NPT-1230P
U1	Pc board ass'y	1A564521-3DY	NAAR-5121-3D	1A565521-3AY	NAAR-5121-3A
U4	Pc board ass'y	1A564524-3Y	NADG-5124-3	1A565524-3AY	NADG-5124-3A
U7	Pc board ass'y	1A564527-3DY	NAPS-5127-3D	1A565527-3AY	NAPS-5127-3A
U8	Pc board ass'y	1A564528-3CY	NARF-5128-3C	1A565528-3AY	NARF-5128-3A
	Instruction manual	29342052Y		29342051Y	
	Instruction manual	29355221		29342053Y	
	FM antenna adaptor	25065462		Not used	
	Carton box	29052828Y		29052829Y	

## ONKYO CORPORATION

Sales Planning & Promotion Dept.: 2-1, Nisshin-cho, Neyagawa-shi, OSAKA 572, JAPAN  
Tel: 0720-31-8111 Fax: 0720-33-5222

### ONKYO U.S.A CORPORATION

200 Williams Drive, Ramsey, N.J. 07446, U.S.A.  
Tel: 201-825-7950 Fax: 201-825-8150

### ONKYO DEUTSCHLAND GMBH ELECTRONICS

Industriestrasse 18-20, 82110 Germering, GERMANY  
Tel: 089 84 20 Fax: 089 84 93 226

### ONKYO FRANCE

Immeuble Le Diamant, Domaine Technologique de Saclay, 4 Rue Rene Razel,  
91892 SACLAY, FRANCE Tel: (1) 69 33 1400 Fax: (1) 69 41 35 84