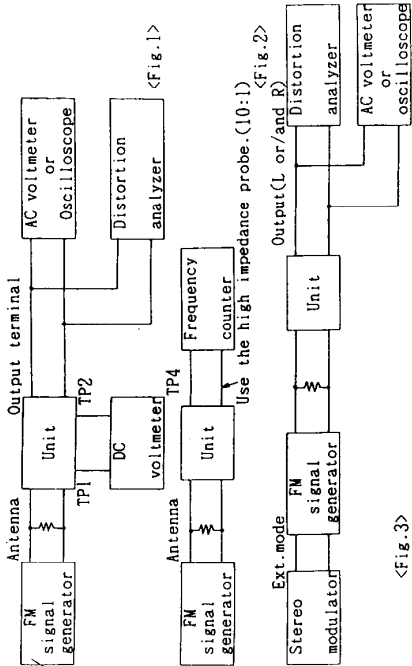


**FM section**

Item	Step	Connection of instrument	FM SG output	Stereo modulator output	Tuning frequency	Output indicator	Adjustment point	Adjust for	Remarks
FM IF/RF	1		99.1MHz 1kHz, 75kHz devi. 65dBf (60dB)		99.1MHz	DC voltmeter	L101	0±20mV	FM MUTE/MODE switch: OFF (MONO) Repeat the steps 1 and 3 until no further adjustment is necessary.
	2	AC voltmeter				IFT on the front end	Maximum		
	3	Distortion analyzer				L102	Minimum		
VCO		Fig. 2	99.1MHz 1kHz, 75kHz devi. 65dBf (60dB)		99.1MHz	Frequency counter	R161	19kHz±10Hz	FM MUTE/MODE switch: ON (STEREO)
Stereo Distortion	1	Fig. 3	99.1MHz, Ext. modulation mod. 65dBf (60dB)	Channel L or R 1kHz	99.1MHz	Distortion analyzer	IFT on the front end	Minimum	Don't turn more than ±180°
	2	Fig. 3						Channel L 1kHz	
Stereo Separation	1	Fig. 3	99.1MHz Ext. modulation 65dBf (60dB)	Channel L 1kHz	99.1MHz	Channel R AC voltmeter	R162	Minimum	Maximum and same separation.
	2	Fig. 3						Channel R 1kHz	
Tuning Level		Fig. 3	99.1MHz 19.2dBf (14dB)		99.1MHz	TUNED indicator	R101	Light on	FM MUTE/MODE switch: ON (STEREO)



<Fig. 1>



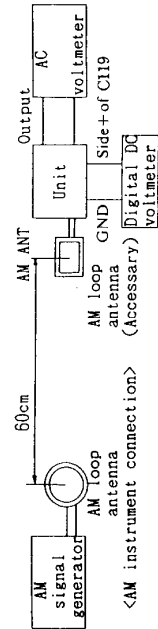
<Fig. 2>

<Fig. 3>

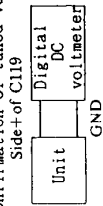
**AM section**

Step	AM SG output	Tuning frequency	Output indicator	Adjustment point	Adjust for
1	530kHz (531kHz)		Digital DC voltmeter	OSC coil on RF block (L151)	1.4±0.1V
2	600kHz (603kHz) 400Hz, 30% mod. 60dB/m		AC voltmeter	RF coil on RF block (L151)	Maximum
3	990kHz (993kHz) 400Hz, 30% mod. 60dB/m		AC voltmeter	L152	Maximum

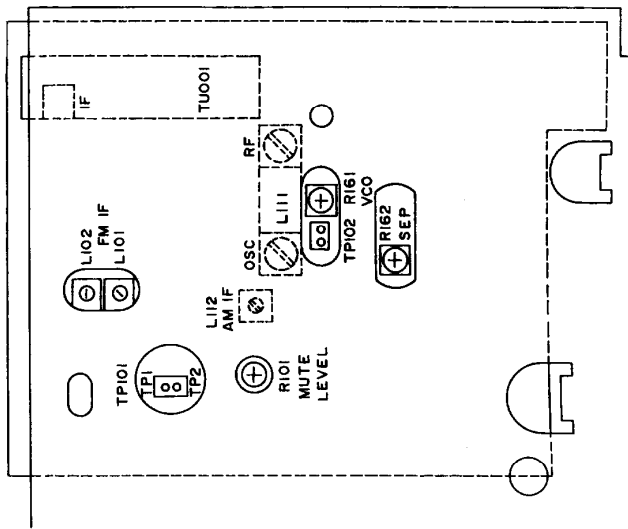
( ): 9kHz step model



Confirmation of tuned voltage



Reference Specifications  
 FM tuned voltage: 87.50MHz-108.00MHz  
 More than 1.3V; Less than 10V  
 AM tuned voltage: 530kHz 1.4±0.1V  
 1710kHz 9.0±0.5V  
 Auto stop level: AM: Less than 65dB/m  
 FM: Less than 17dBμ

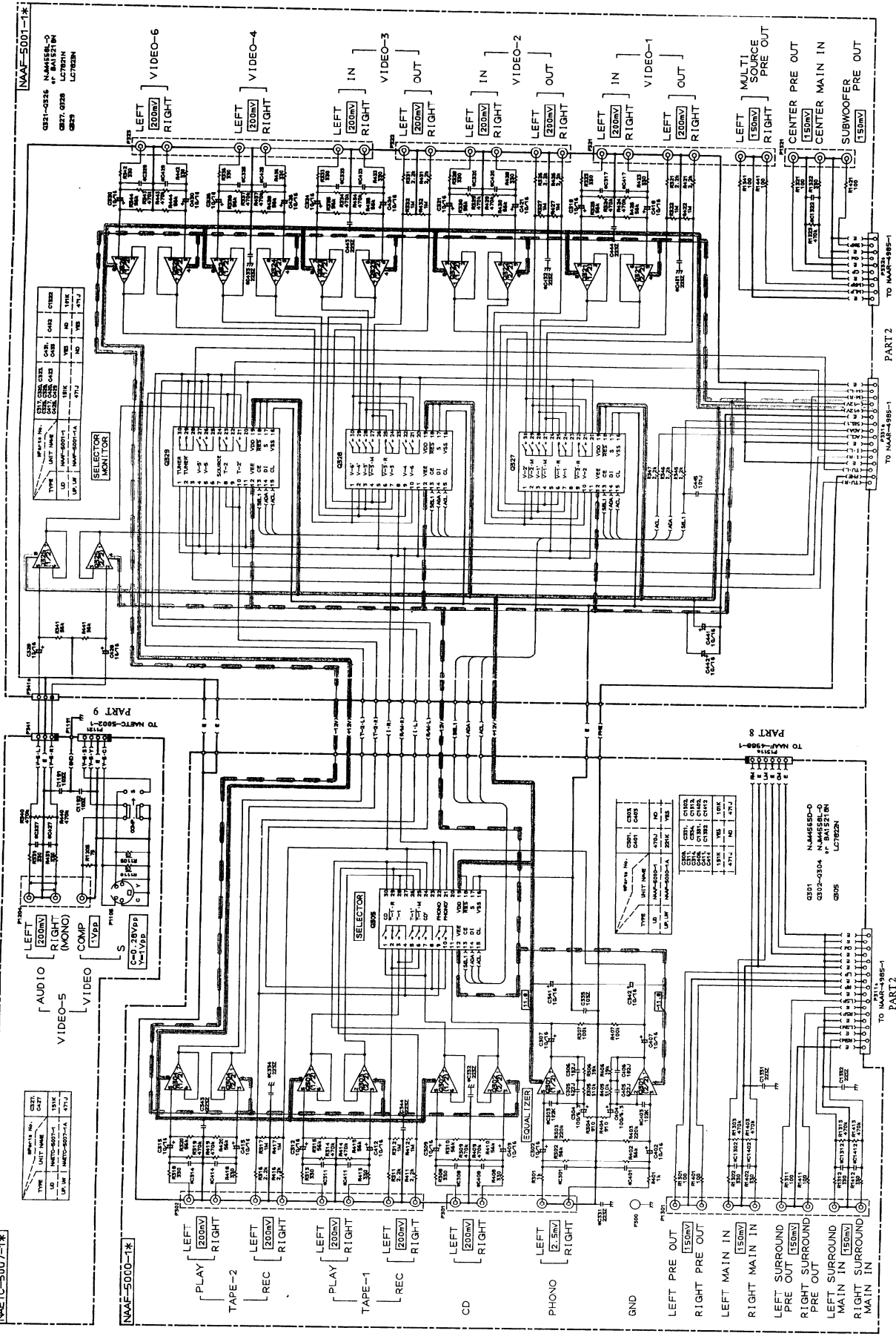


SIDE BRACKET

Tuner circuit pc board

A B C D E F G

SCHEMATIC DIAGRAM PART 6  
INPUT TERMINAL SECTION



IC No.	UNIT NAME	TYPE	QTY	REF. DES.
OZ81	OPAMP	OPAMP	1	101
OZ82	OPAMP	OPAMP	1	102
OZ83	OPAMP	OPAMP	1	103
OZ84	OPAMP	OPAMP	1	104
OZ85	OPAMP	OPAMP	1	105
OZ86	OPAMP	OPAMP	1	106
OZ87	OPAMP	OPAMP	1	107
OZ88	OPAMP	OPAMP	1	108
OZ89	OPAMP	OPAMP	1	109
OZ90	OPAMP	OPAMP	1	110
OZ91	OPAMP	OPAMP	1	111
OZ92	OPAMP	OPAMP	1	112
OZ93	OPAMP	OPAMP	1	113
OZ94	OPAMP	OPAMP	1	114
OZ95	OPAMP	OPAMP	1	115
OZ96	OPAMP	OPAMP	1	116
OZ97	OPAMP	OPAMP	1	117
OZ98	OPAMP	OPAMP	1	118
OZ99	OPAMP	OPAMP	1	119
OZ100	OPAMP	OPAMP	1	120

IC No.	UNIT NAME	TYPE	QTY	REF. DES.
OZ81	OPAMP	OPAMP	1	101
OZ82	OPAMP	OPAMP	1	102
OZ83	OPAMP	OPAMP	1	103
OZ84	OPAMP	OPAMP	1	104
OZ85	OPAMP	OPAMP	1	105
OZ86	OPAMP	OPAMP	1	106
OZ87	OPAMP	OPAMP	1	107
OZ88	OPAMP	OPAMP	1	108
OZ89	OPAMP	OPAMP	1	109
OZ90	OPAMP	OPAMP	1	110
OZ91	OPAMP	OPAMP	1	111
OZ92	OPAMP	OPAMP	1	112
OZ93	OPAMP	OPAMP	1	113
OZ94	OPAMP	OPAMP	1	114
OZ95	OPAMP	OPAMP	1	115
OZ96	OPAMP	OPAMP	1	116
OZ97	OPAMP	OPAMP	1	117
OZ98	OPAMP	OPAMP	1	118
OZ99	OPAMP	OPAMP	1	119
OZ100	OPAMP	OPAMP	1	120

IC No.	UNIT NAME	TYPE	QTY	REF. DES.
OZ81	OPAMP	OPAMP	1	101
OZ82	OPAMP	OPAMP	1	102
OZ83	OPAMP	OPAMP	1	103
OZ84	OPAMP	OPAMP	1	104
OZ85	OPAMP	OPAMP	1	105
OZ86	OPAMP	OPAMP	1	106
OZ87	OPAMP	OPAMP	1	107
OZ88	OPAMP	OPAMP	1	108
OZ89	OPAMP	OPAMP	1	109
OZ90	OPAMP	OPAMP	1	110
OZ91	OPAMP	OPAMP	1	111
OZ92	OPAMP	OPAMP	1	112
OZ93	OPAMP	OPAMP	1	113
OZ94	OPAMP	OPAMP	1	114
OZ95	OPAMP	OPAMP	1	115
OZ96	OPAMP	OPAMP	1	116
OZ97	OPAMP	OPAMP	1	117
OZ98	OPAMP	OPAMP	1	118
OZ99	OPAMP	OPAMP	1	119
OZ100	OPAMP	OPAMP	1	120

IC No.	UNIT NAME	TYPE	QTY	REF. DES.
OZ81	OPAMP	OPAMP	1	101
OZ82	OPAMP	OPAMP	1	102
OZ83	OPAMP	OPAMP	1	103
OZ84	OPAMP	OPAMP	1	104
OZ85	OPAMP	OPAMP	1	105
OZ86	OPAMP	OPAMP	1	106
OZ87	OPAMP	OPAMP	1	107
OZ88	OPAMP	OPAMP	1	108
OZ89	OPAMP	OPAMP	1	109
OZ90	OPAMP	OPAMP	1	110
OZ91	OPAMP	OPAMP	1	111
OZ92	OPAMP	OPAMP	1	112
OZ93	OPAMP	OPAMP	1	113
OZ94	OPAMP	OPAMP	1	114
OZ95	OPAMP	OPAMP	1	115
OZ96	OPAMP	OPAMP	1	116
OZ97	OPAMP	OPAMP	1	117
OZ98	OPAMP	OPAMP	1	118
OZ99	OPAMP	OPAMP	1	119
OZ100	OPAMP	OPAMP	1	120

PART 2

TO NAAF-498F-1

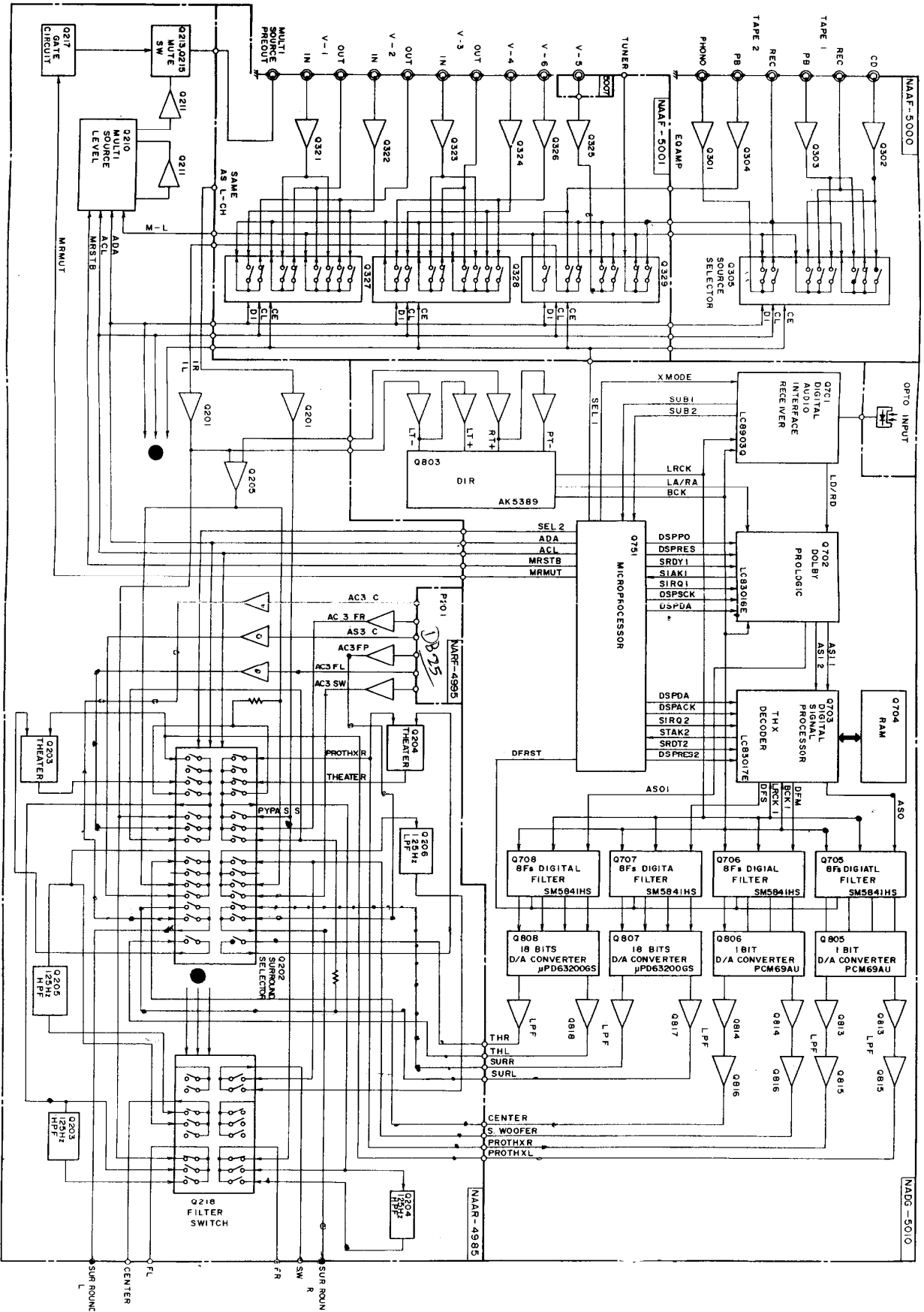
TO NAAF-498F-1

TO NAAF-498F-1





**BLOCK DIAGRAM**  
**AMPLIFIER SECTION**

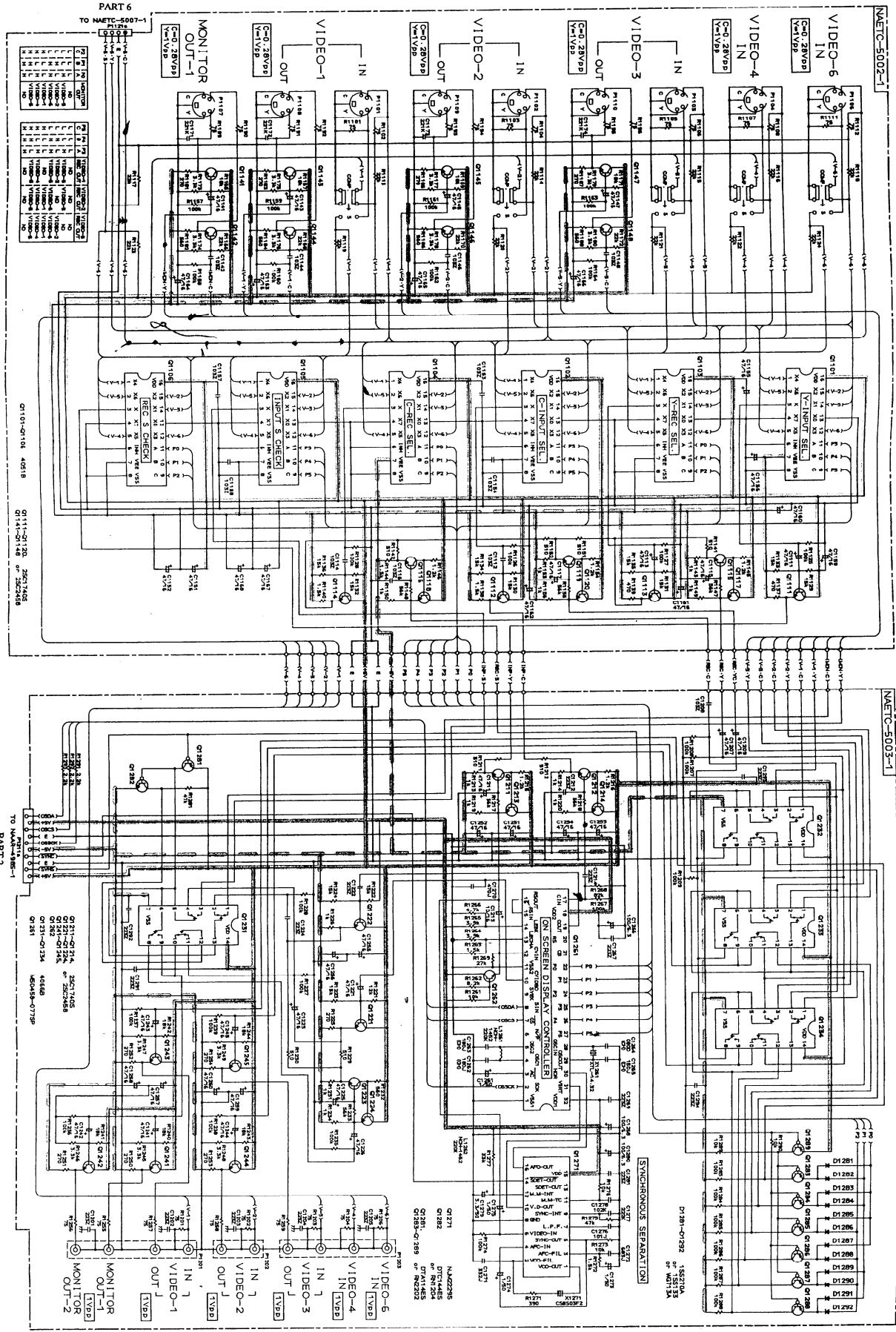


1X-SV9191HX 1X-SV9191HX

# SCHEMATIC DIAGRAM PART 9

## VIDEO SECTION

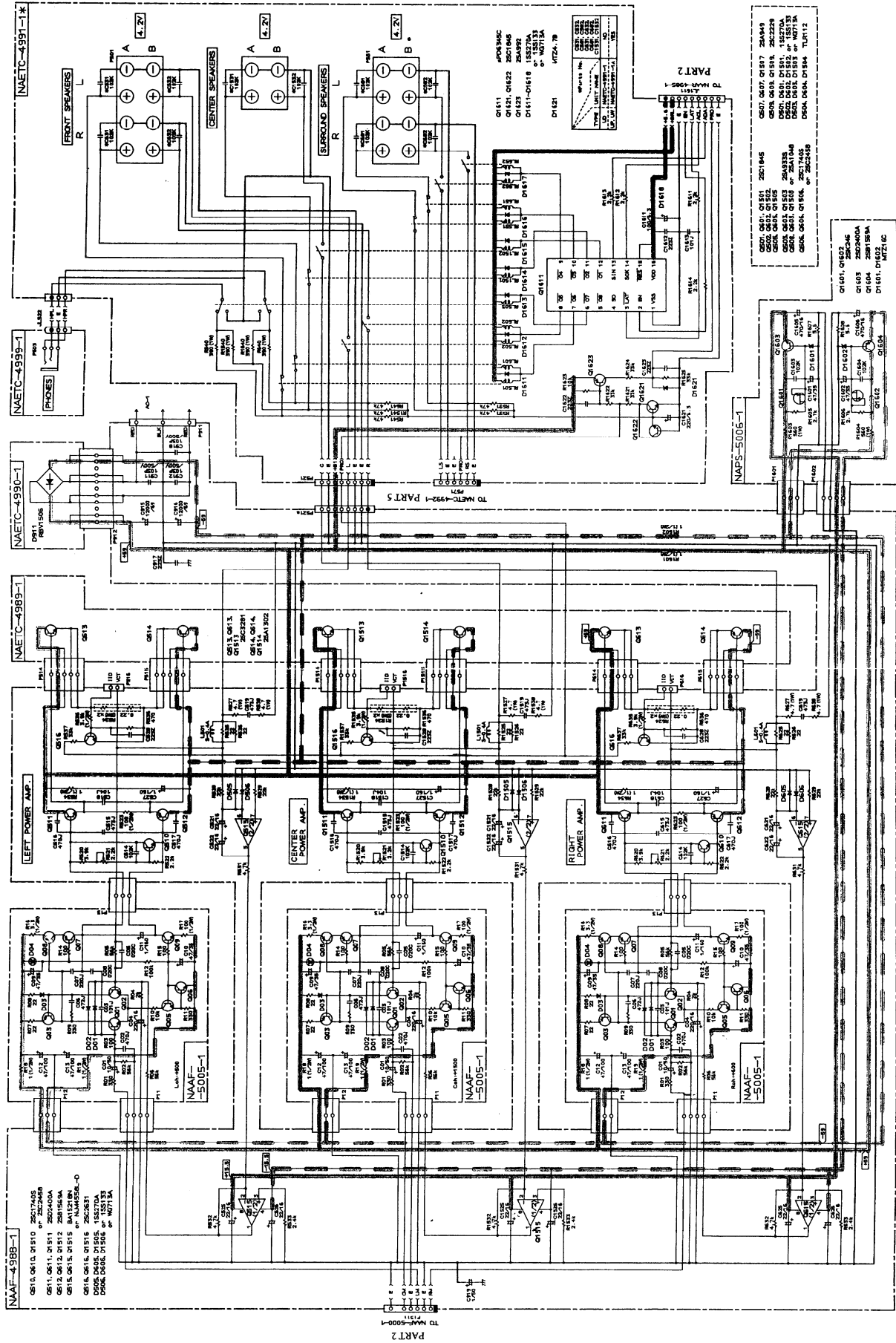
A B C D E F G



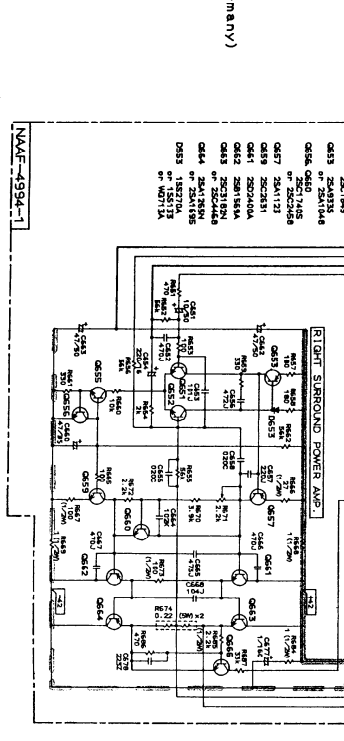
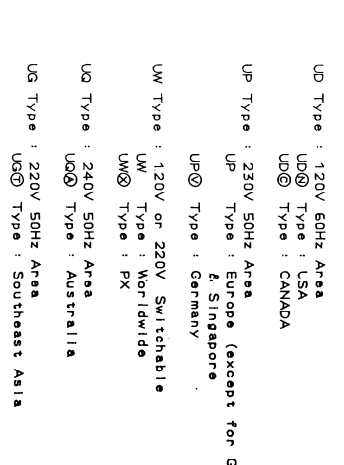
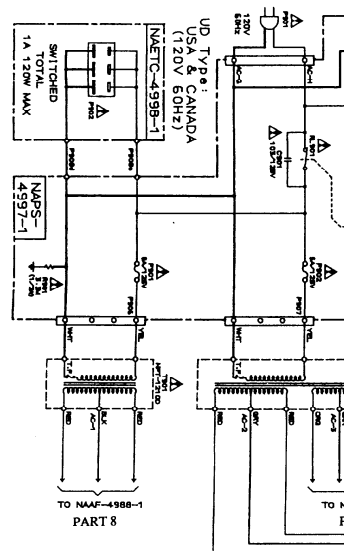
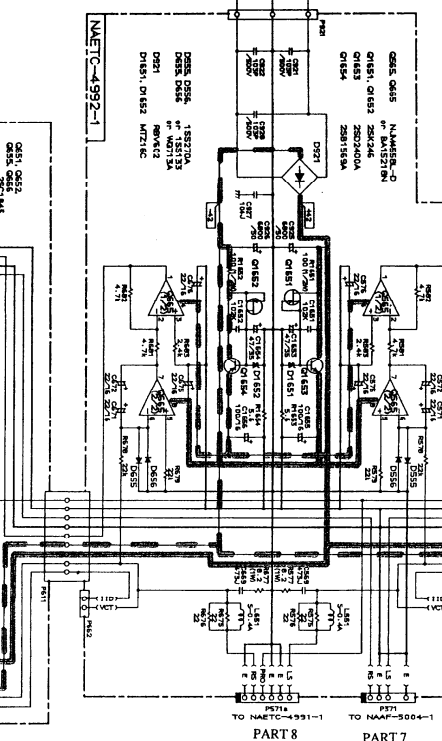
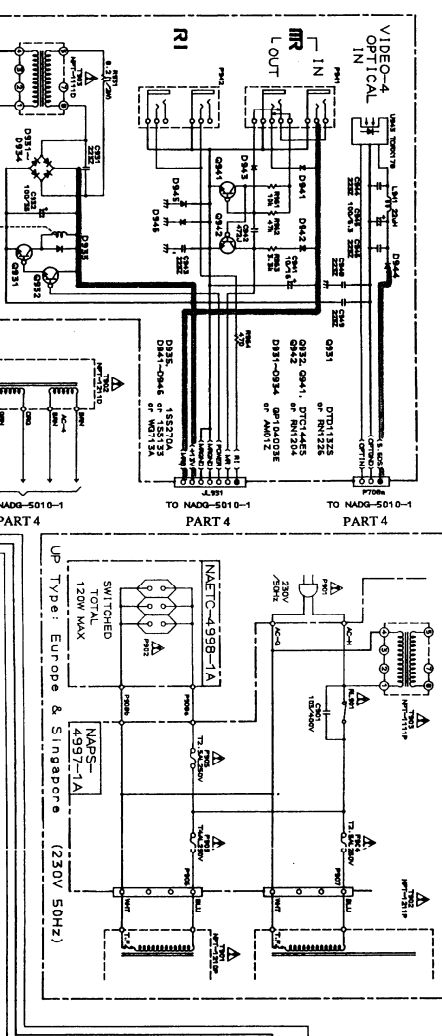
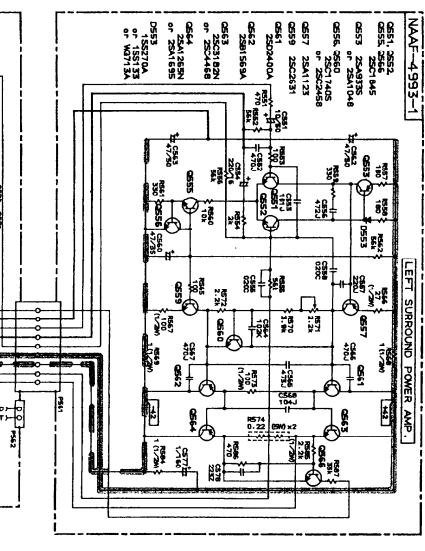
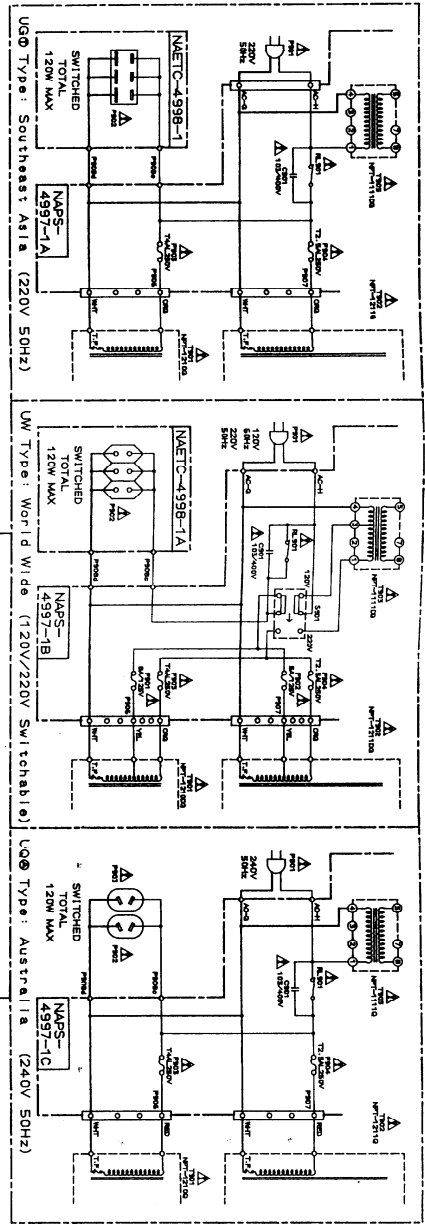
TX-SV919THX TX-SV919THX

A B C D E F G

SCHEMATIC DIAGRAM PART 8  
FRONT/CENTER POWER AMPLIFIER SECTION



**SCHEMATIC DIAGRAM PART 5**  
**SURROUND POWER AMPLIFIER AND POWER SUPPLY SECTION**

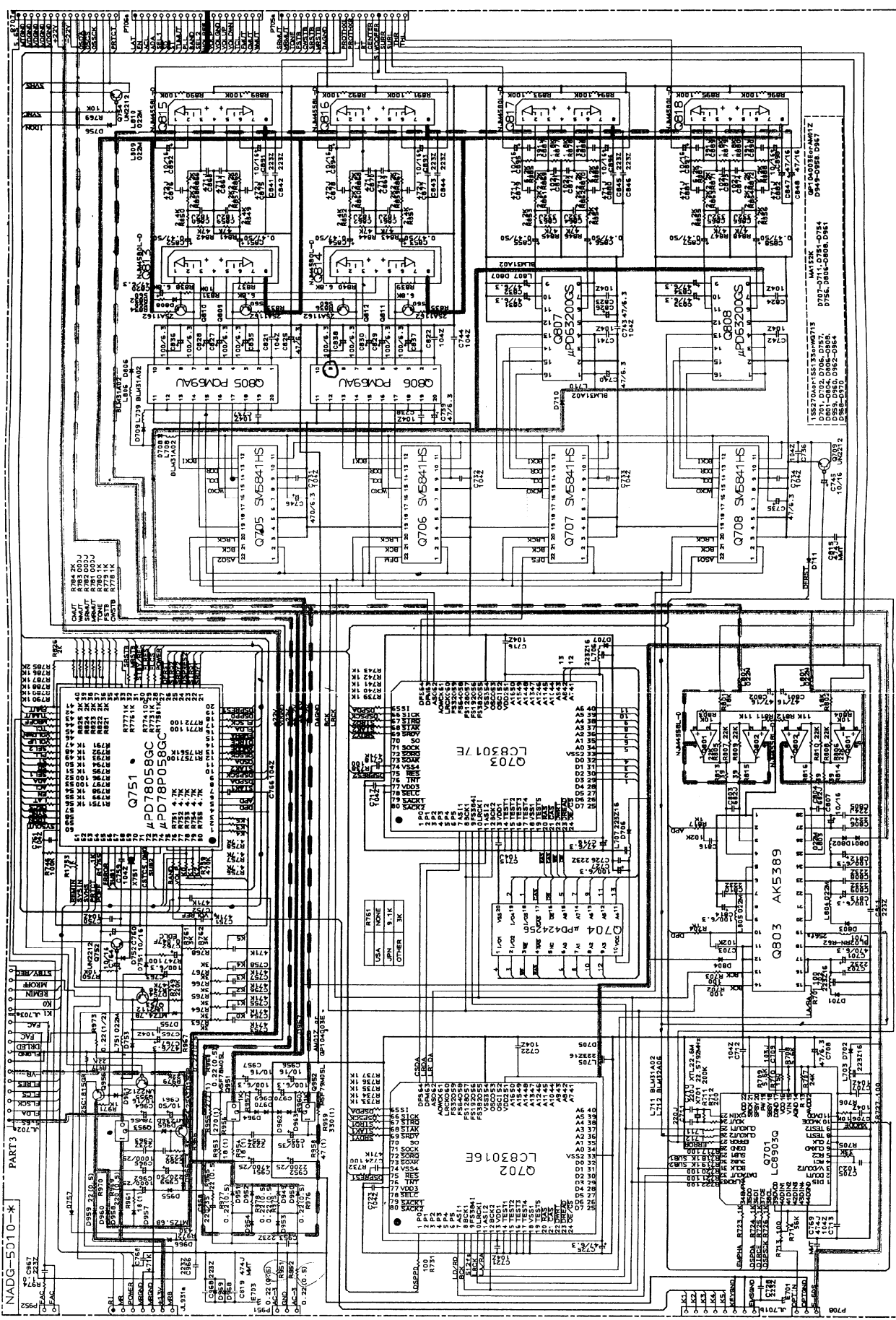


- UD Type: 120V 60Hz Area
- UD Type: USA
- UD Type: CANADA
- UP Type: 230V 50Hz Area
- UP Type: Europe (except for Germany)
- UP Type: Singapore
- UP Type: Germany
- UW Type: 120V or 220V Switchable
- UW Type: Worldwide
- UW Type: PX
- UG Type: 240V 50Hz Area
- UG Type: Australia
- UG Type: 220V 50Hz Area
- UG Type: Southeast Asia

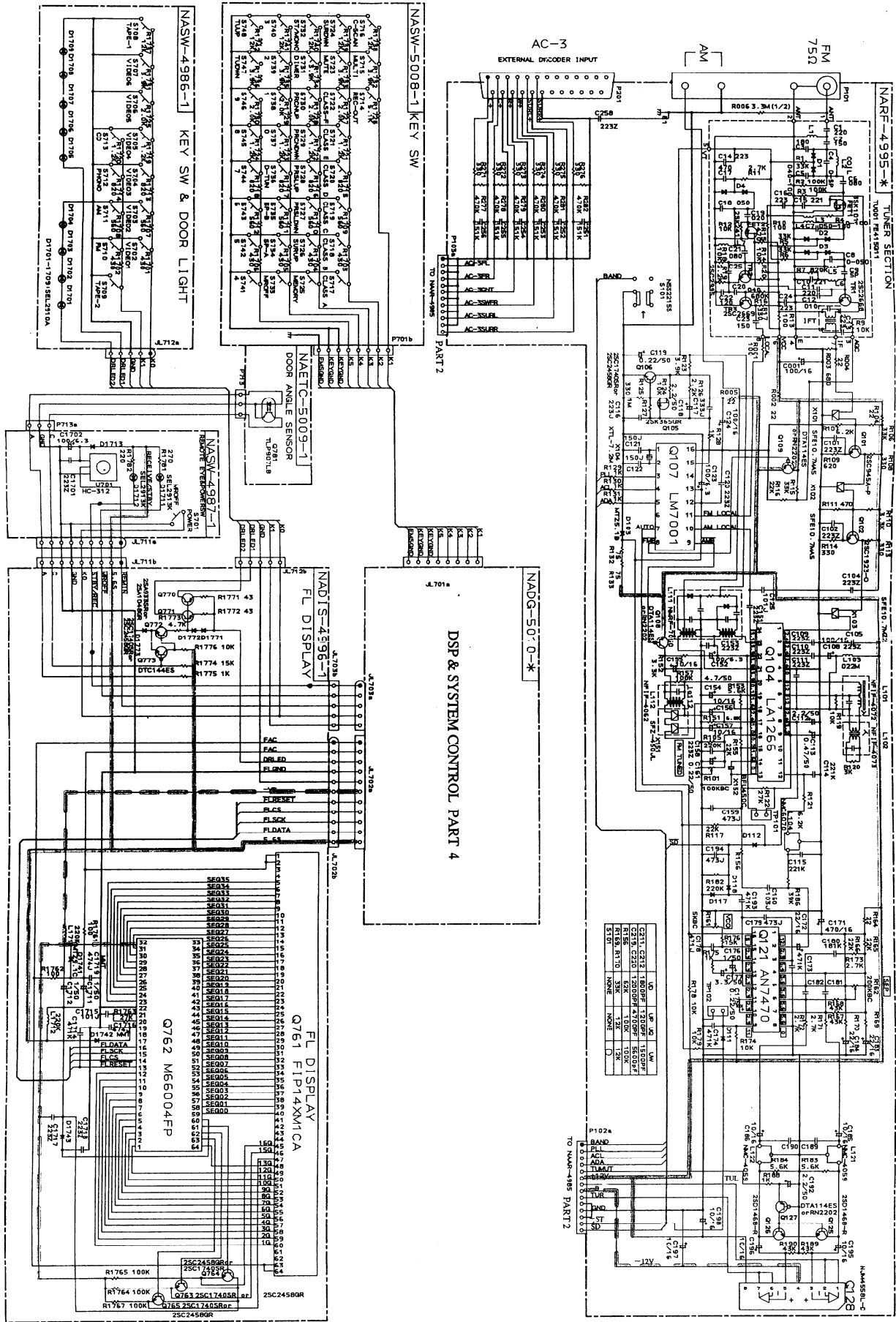


A B C D E F G

SCHMATIC DIAGRAM PART 4  
DSP AND MICROPROCESSOR SECTIONS



**SCHEMATIC DIAGRAM PART 3**  
**TUNER AND DISPLAY SECTIONS**

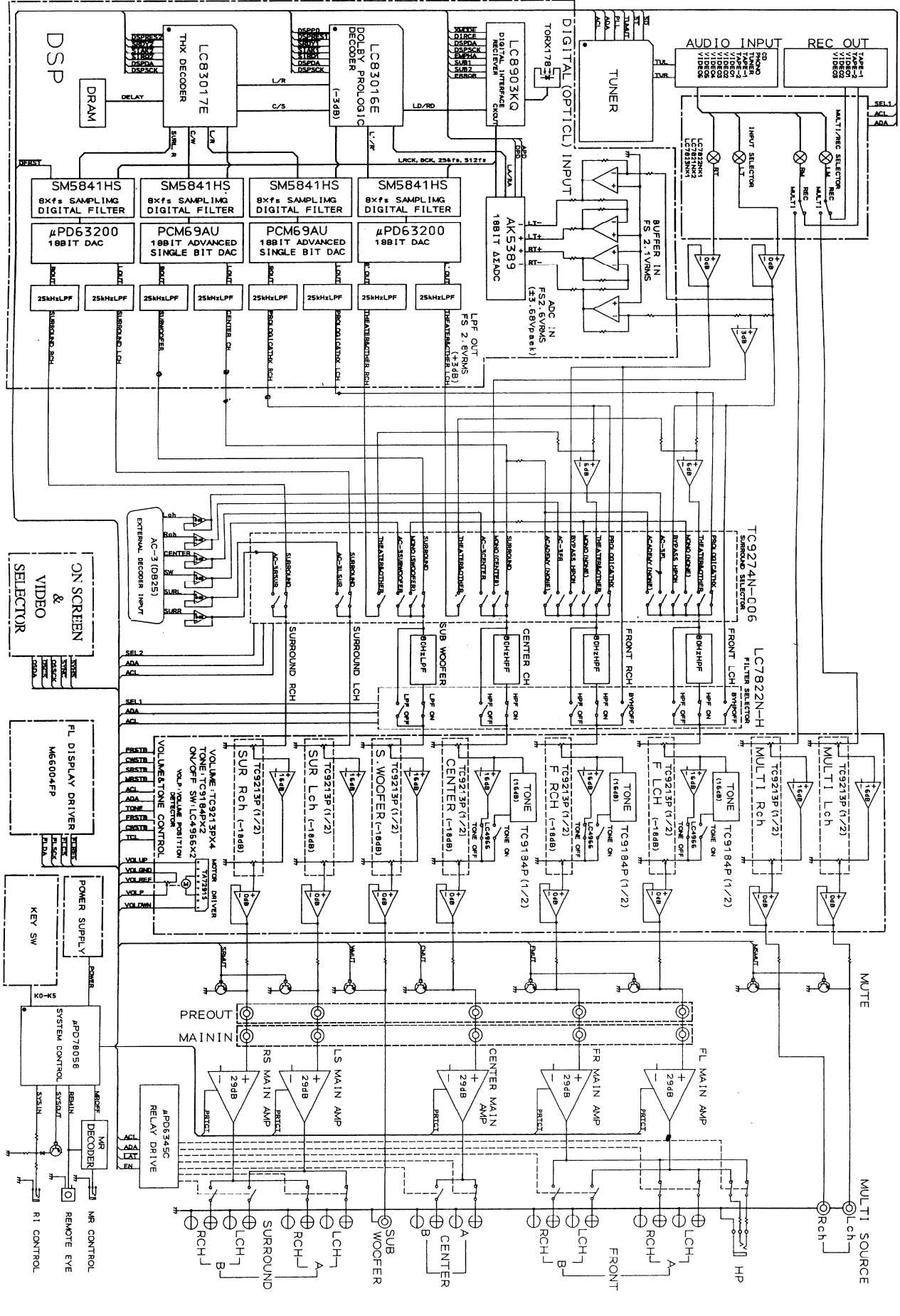




SCHEMATIC DIAGRAM PART 1

A B C D E F G

TX-SV919THX TX-SV919THX

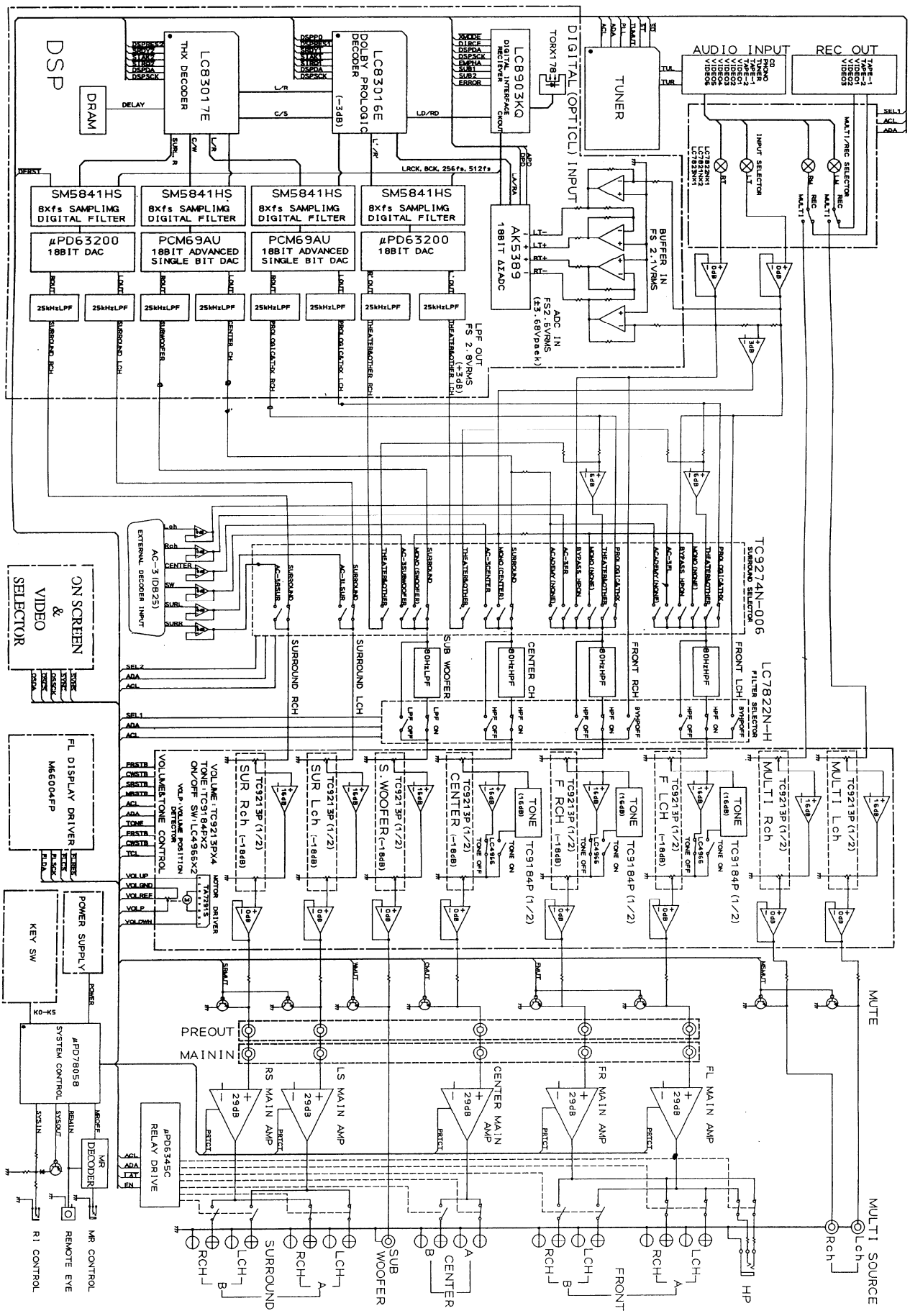


ONTRYO CORPORATION

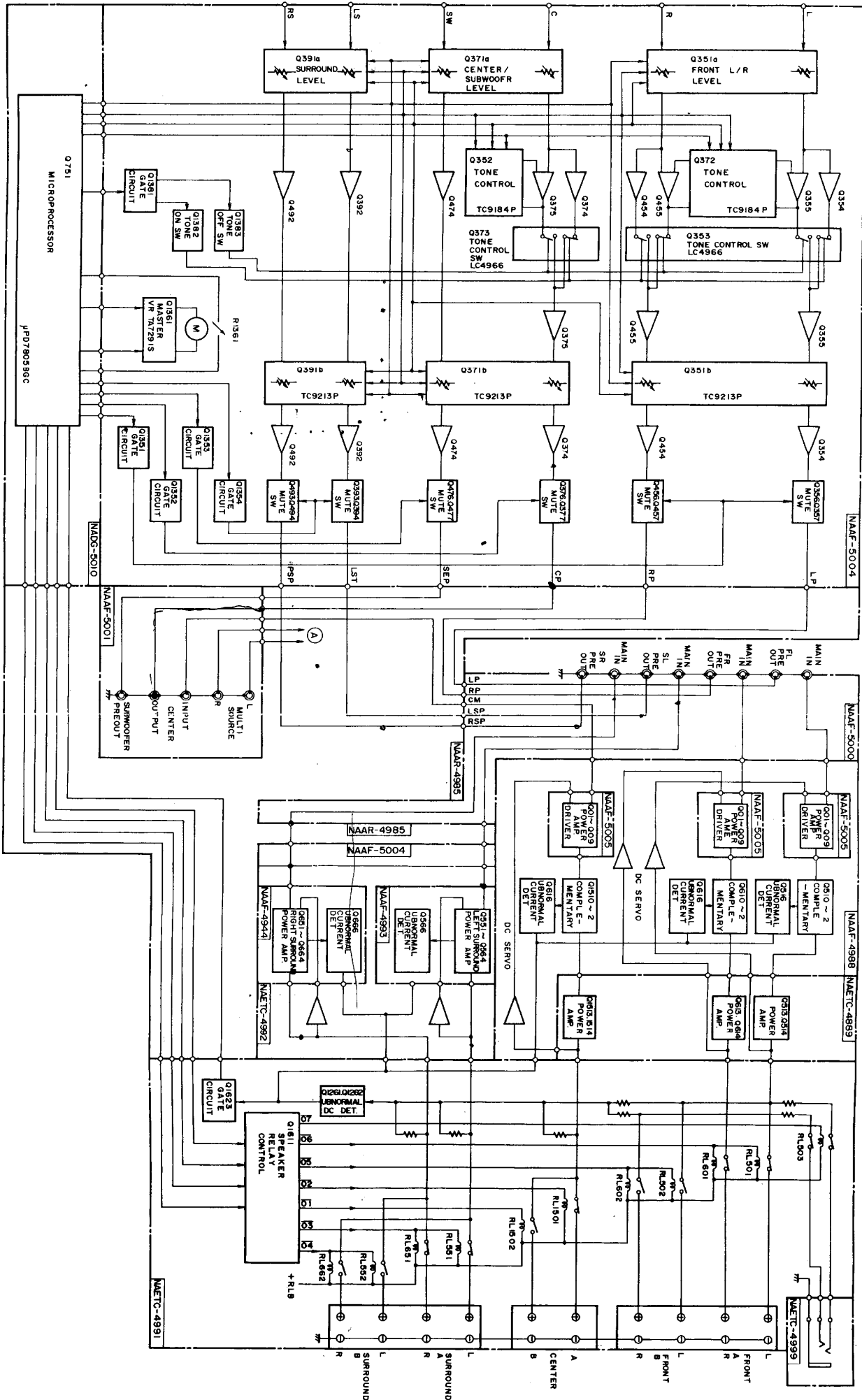
SCHEMATIC DIAGRAM PART 1

A B C D E F G

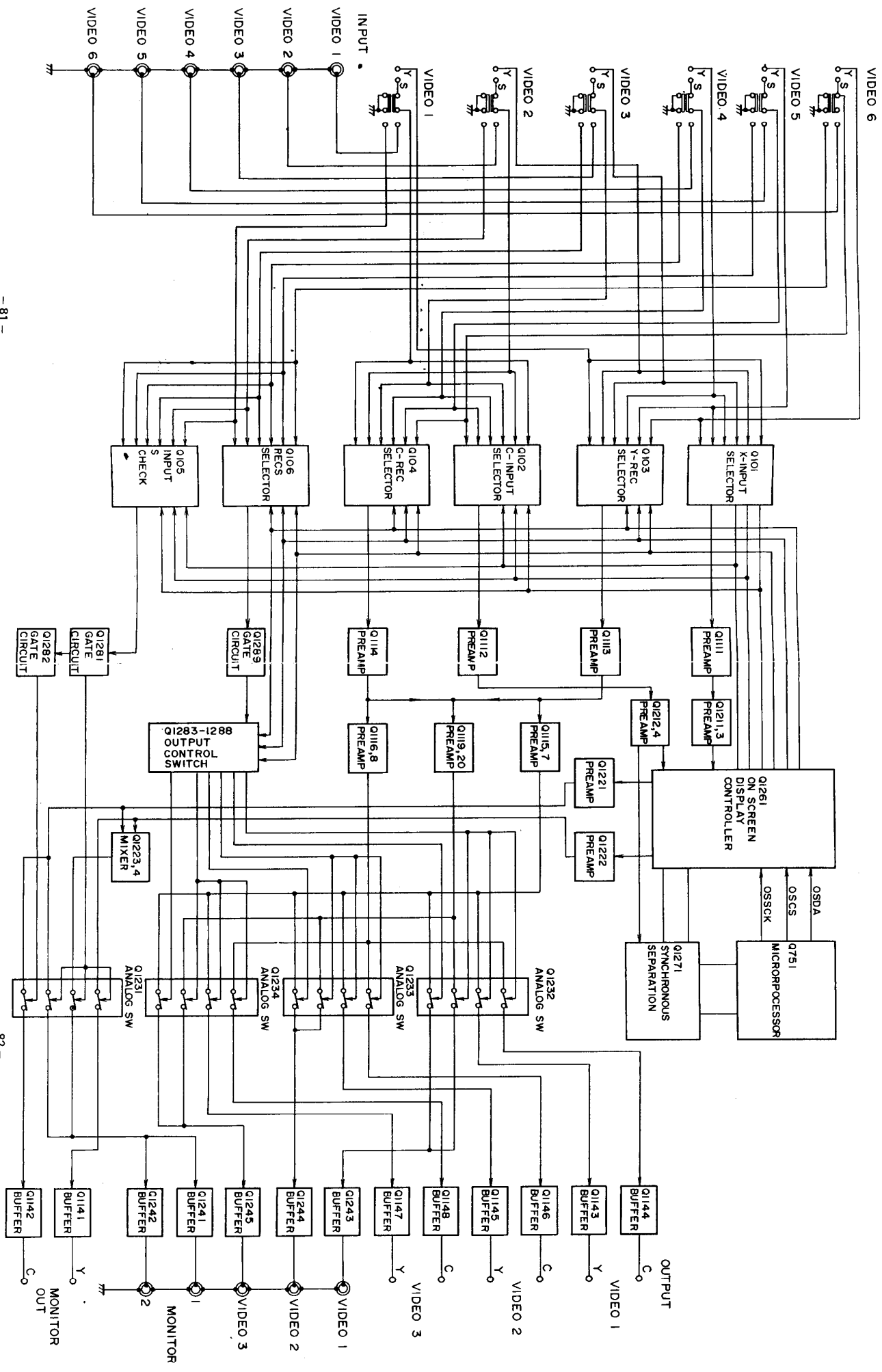
TX-SV919THX TX-SV919THX



ONKYO CORPORATION



**BLOCK DIAGRAM**  
VIDEO SECTION







# CHASSIS-EXPLODED VIEW

TX-SV9191THX

TX-SV9191THX

