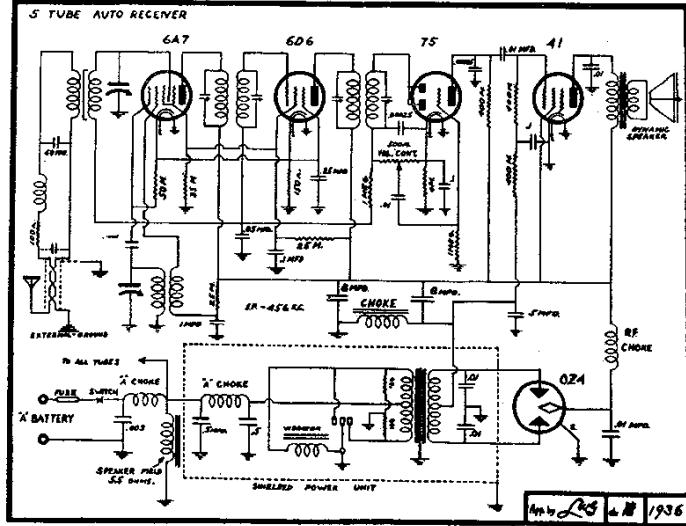
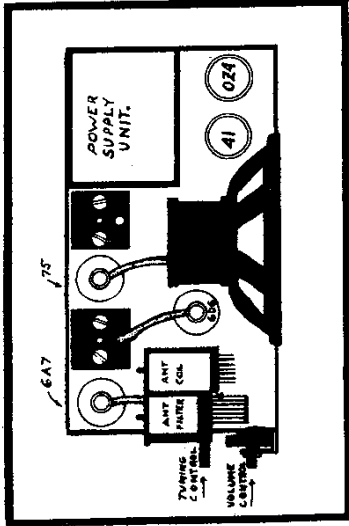
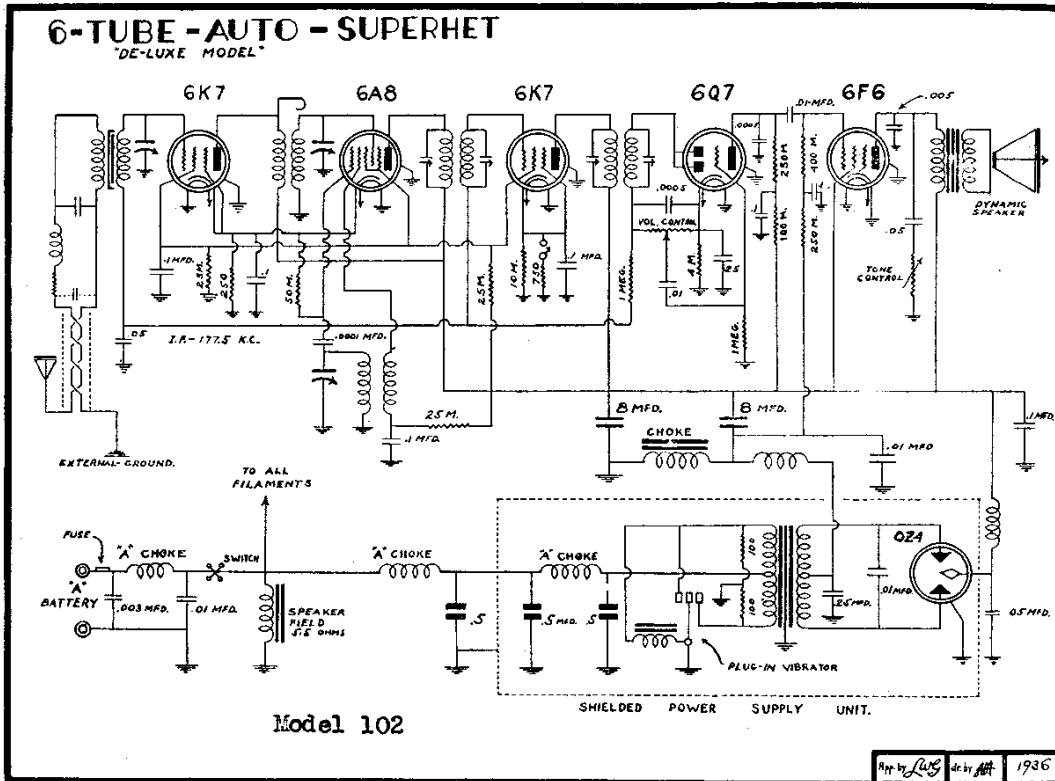


MODEL 101
 Schematic, Socket
 MODEL 102
 Schematic

PACIFIC RADIO CORP.



Model 101

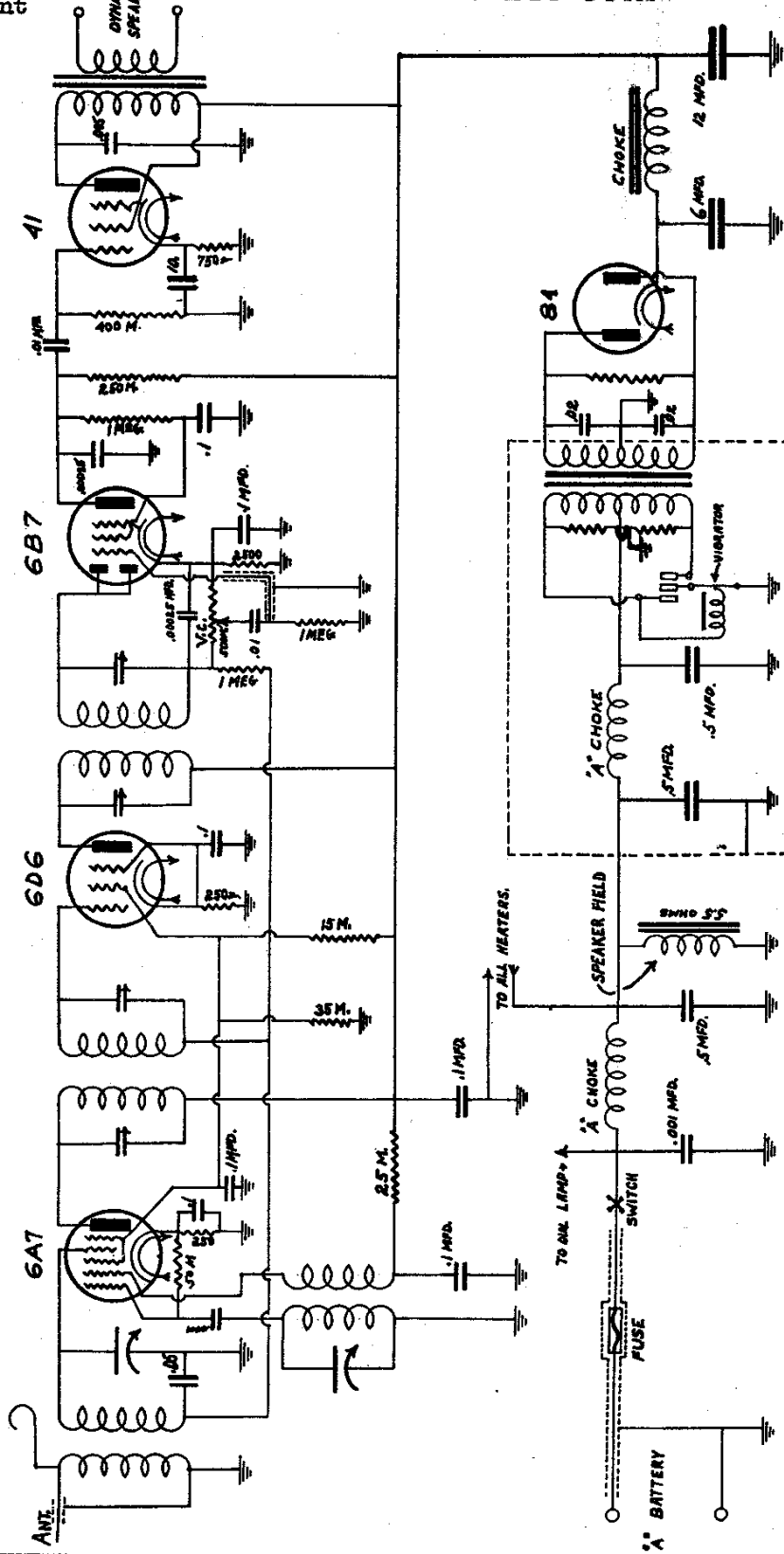


Model 102

MODEL 101, Early 1935
Schematic
Alignment

PACIFIC RADIO CORP.

5 TUBE AUTO RADIO



CONVENTIONAL ALIGNMENT, SEE
SPECIAL SECTION VOLUME VIII

ALIGNMENT

INT. FREQ. PEAK-----456 KC

ALIGN TRIMMER CONDENSERS AT 1400 KC

ENGINEERING DEPARTMENT
CIRCUIT - 5 TUBE AUTO SUPERHET
APR 1 1935