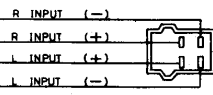
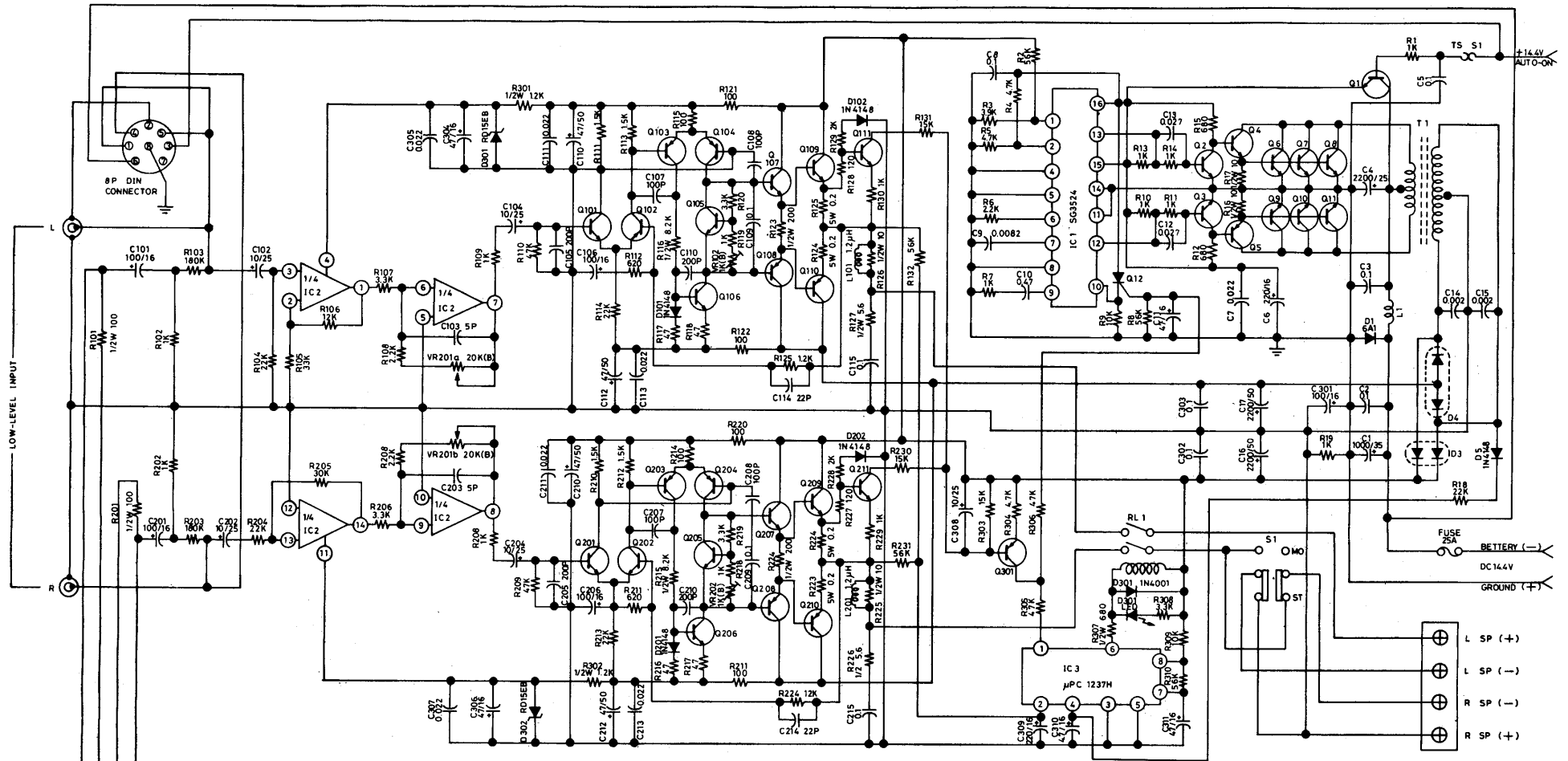


Pyramid Gold Series PB300G Made in 1989

SCHEMATIC DIAGRAM



- HI-LEVEL INPUT
- IC2 NJM4741D OR EQUIV
 - D3 CTU 225 OR HER1603C
 - D4 CTU 22R OR HER1603A
 - Q1 25C2001
 - Q2, 3, 101, 102, 105, 111, 201, 202, 205, 211
25C1815 OR 25C945
 - Q4, 5 25D553 OR 25C1061
 - Q6-11 25D1064 OR 25D717
 - Q12 5F0R1D42 OR EQUIV
 - Q103, 104, 203, 204
25A949 OR 25A1208

- Q106, 206 25C2229 OR 25C290
- Q107, 207 25C2235 OR 25D438
- Q108, 208 25A965 OR 25B560
- Q109, 209 25C3907 OR 25C3519
- Q110 210 25A1516 OR 25A1386
- Q301 25A1015 OR 25A733

NOTES: ALL RESISTOR FIGURES ARE $\pm 5\%$, $1/4W$ UNLESS OTHERWISE NOTED.
VALUES ARE IN "OHMS" K=1000 M=1000K
ALL CAPACITOR VALUES ARE IN "MICROFARAD".
PF = PICOFARAD

