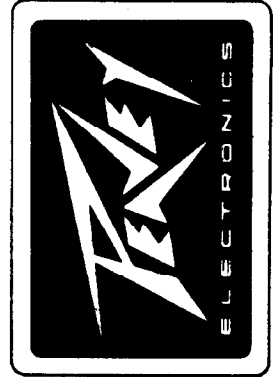
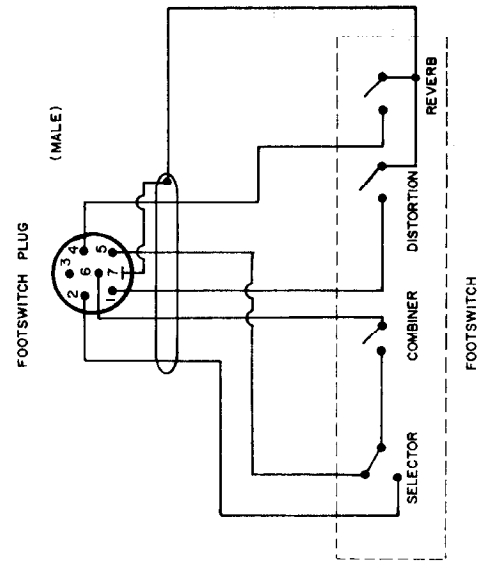


NOTE:  
 ALL TRANSISTORS SPS 983 UNLESS NOTED  
 ALL RESISTORS 1/2W UNLESS NOTED  
 ALL CAPACITORS IN MFD UNLESS NOTED  
 ALL DIODES 1A/200V PIV UNLESS NOTED  
 NUMBERED CIRCLES DENOTE FEMALE  
 FOOTSWITCH PIN NUMBERS



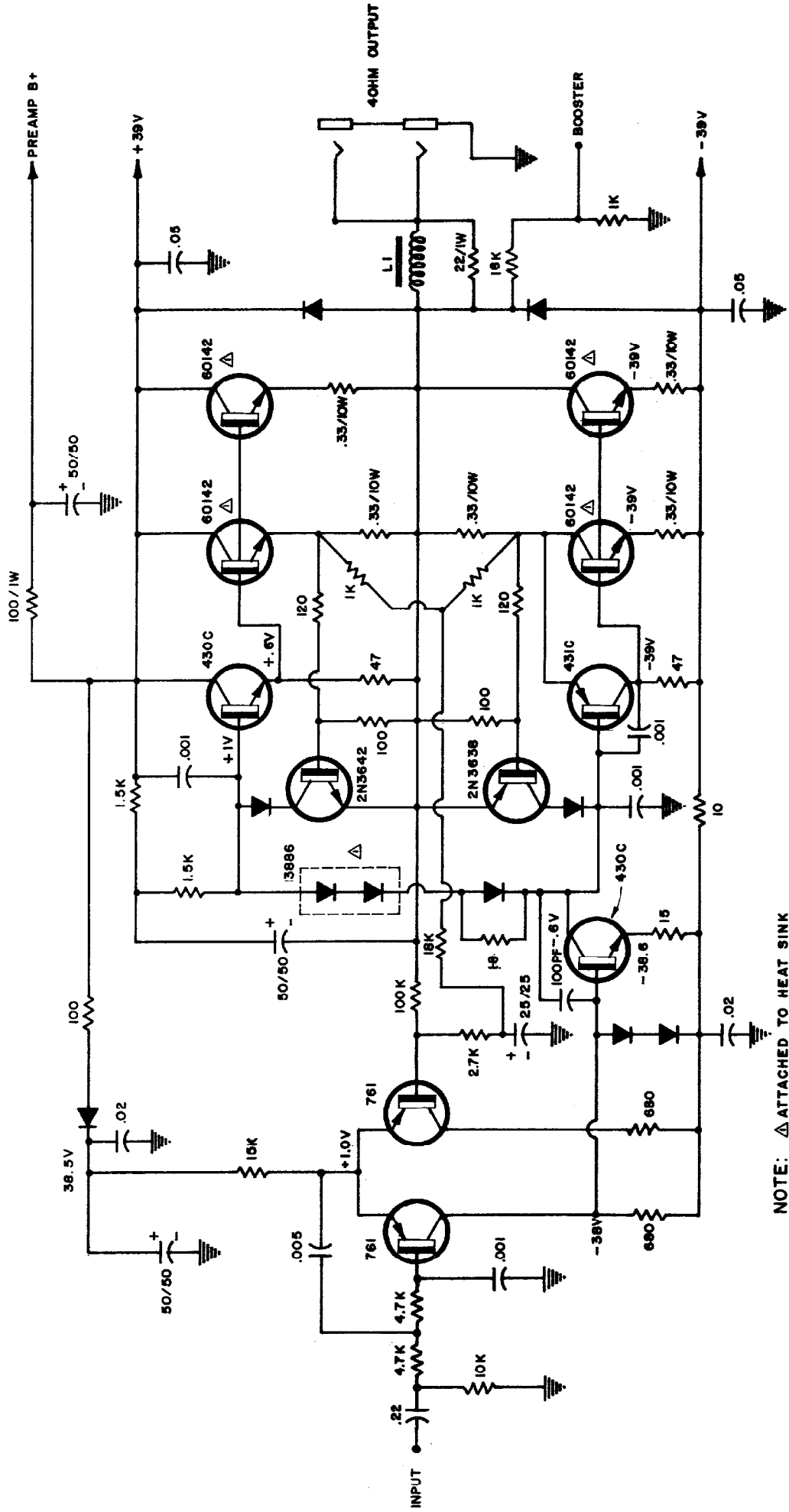
STANDARD  
(PRE AMP)

B SERIES

P/N 81515068

PEAVEY ELECTRONICS CORP. / 711 "A" Street / P. O. Box 2898 / Meridian, Mississippi

Printed in USA



NOTE:  $\Delta$  ATTACHED TO HEAT SINK  
ALL DIODES IA 200V PIV UNLESS NOTED

### 130 WATT POWER AMP

