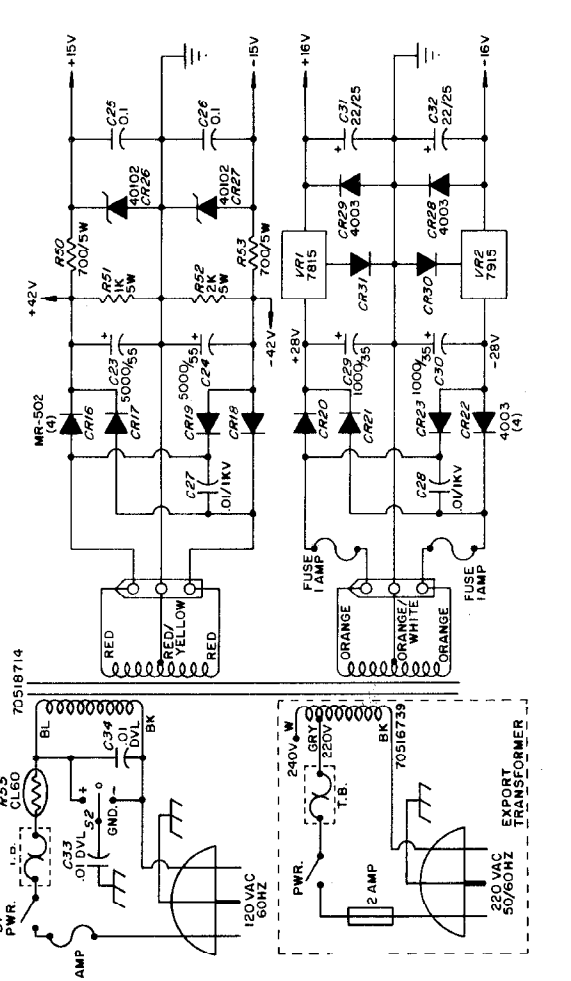
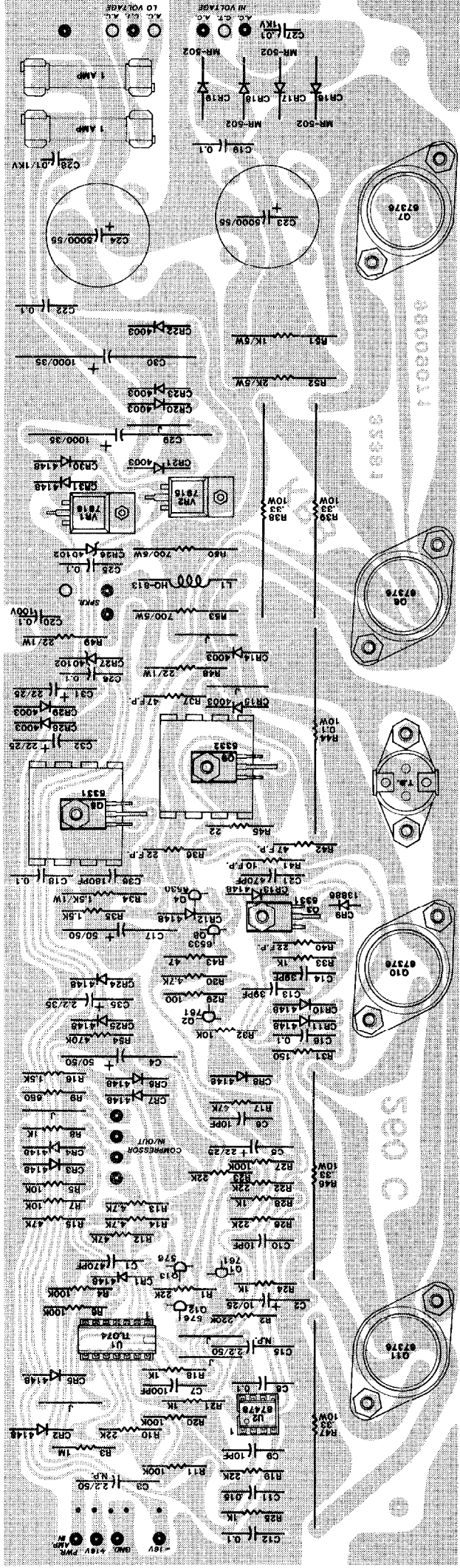


**NOTES**

- ALL POTS ARE LINEAR UNLESS NOTED
- ALL RESISTORS 1/4W UNLESS NOTED
- ALL RESISTORS IN OHMS UNLESS NOTED
- ALL CAPACITORS IN MFD UNLESS NOTED
- ALL DIODES INM48 UNLESS NOTED
- PREAMP AND PWR AMP NUMBERED INDEPENDENTLY
- KB-300 - LAST REF. DESIG. USED:
- R7B C61 CR16 J7 Q2 S2 U6
- PWR AMP - LAST REF. DESIG. USED:
- R56 C36 CR32 O13 U2 VR2 L1
- 'DOT' CIRCUITRY BUILT UNDER U.S. PATENT # 4,318,053
- OTHER CIRCUITRY BUILT UNDER U.S. PATENT # 4,318,053
- PENDING IN U.S. AND OTHER NATIONS
- VOLTAGES MAY VARY FROM UNIT TO UNIT



**KB-300**  
 KB-300 BD # 86881012 (4/83)  
 WITH 260C BD # 99008072 (5/19/83)



260C '81

