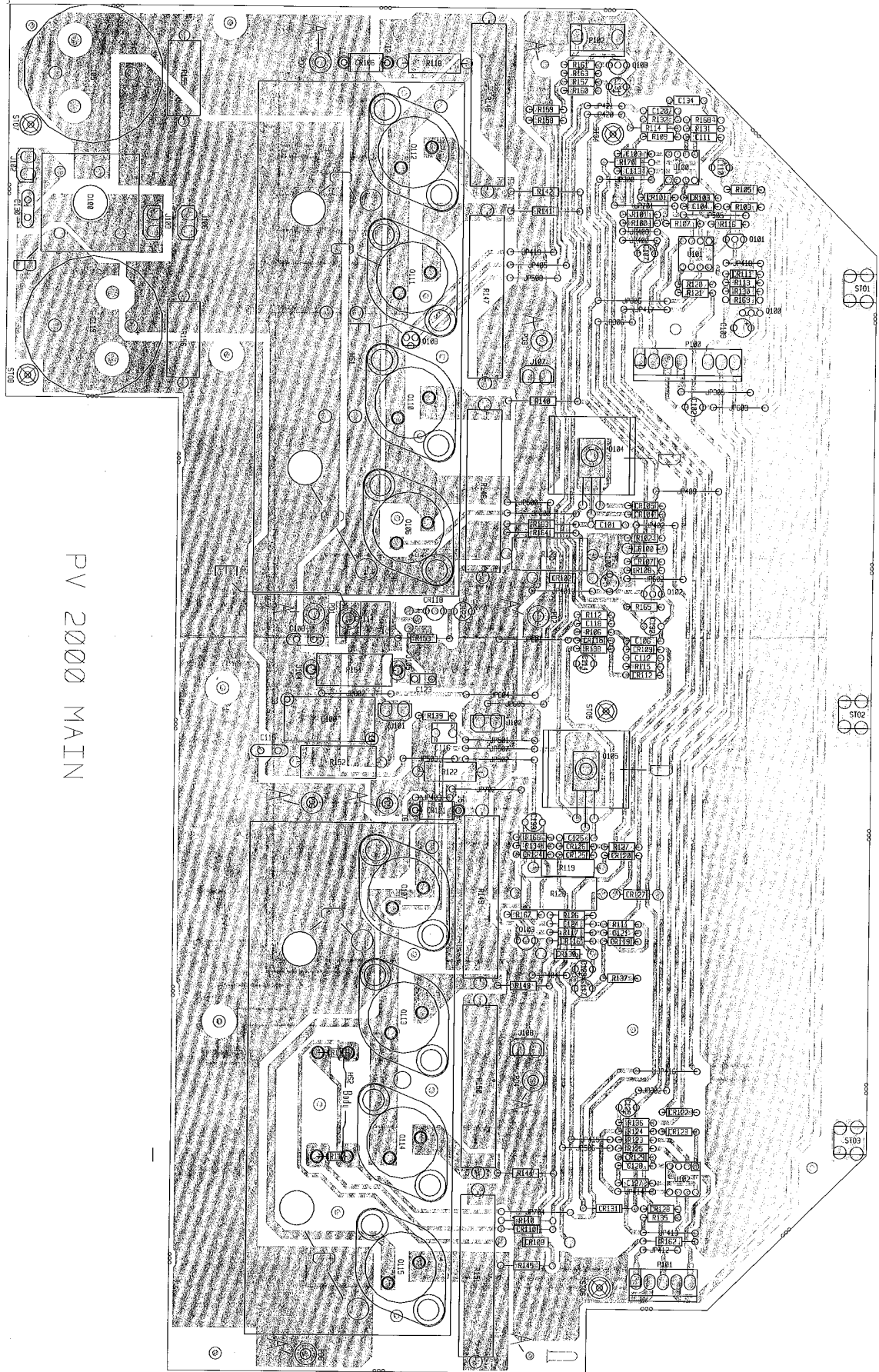
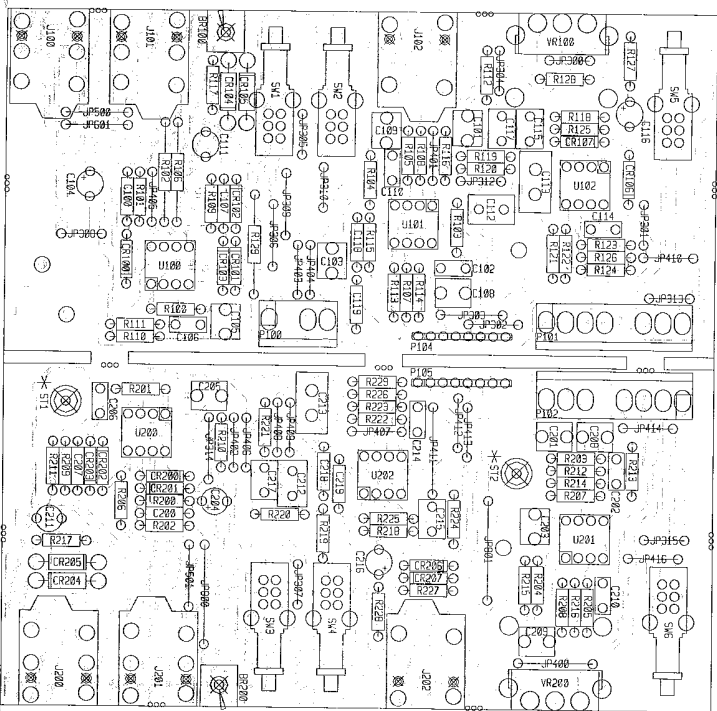


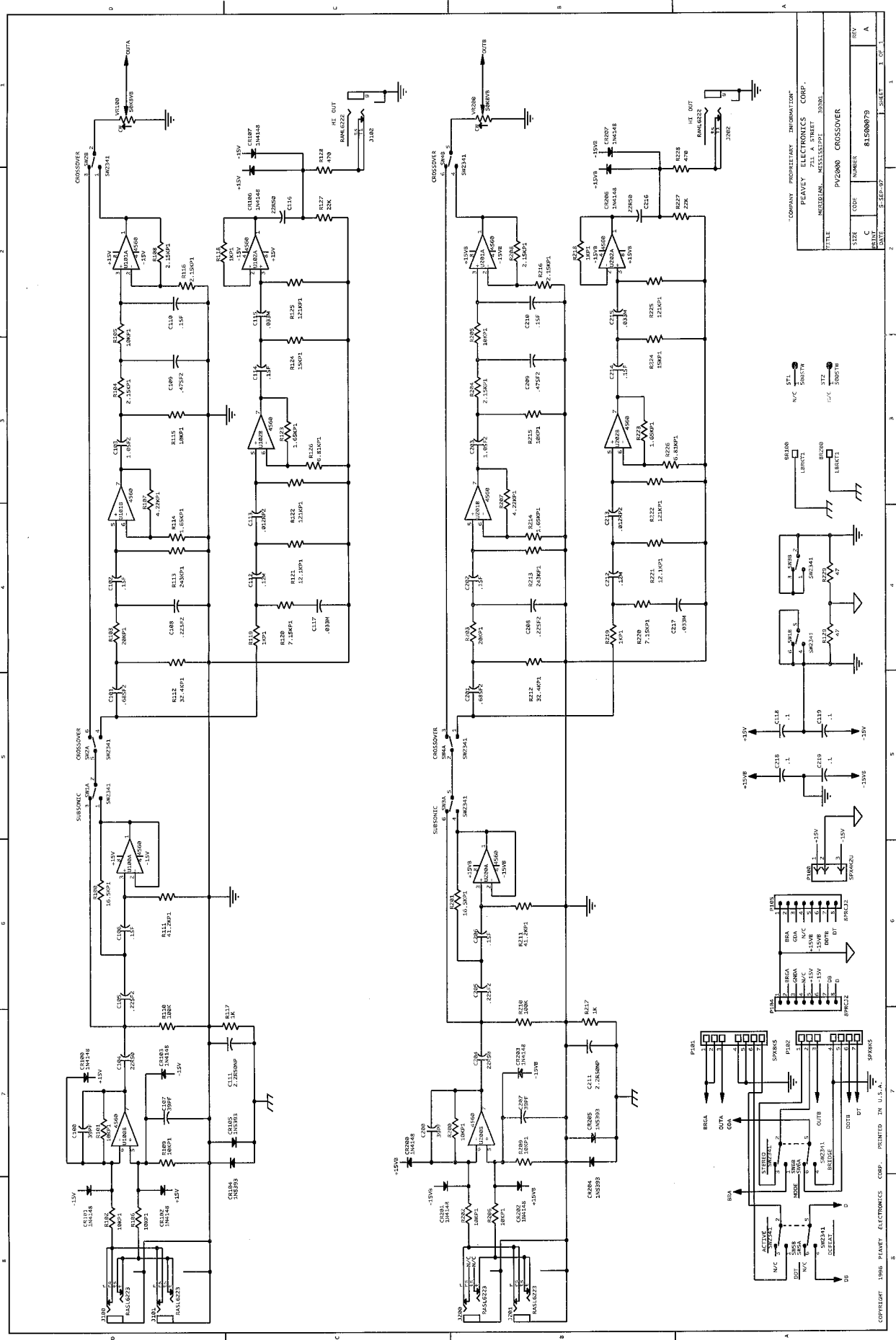
PV 2000 MAIN





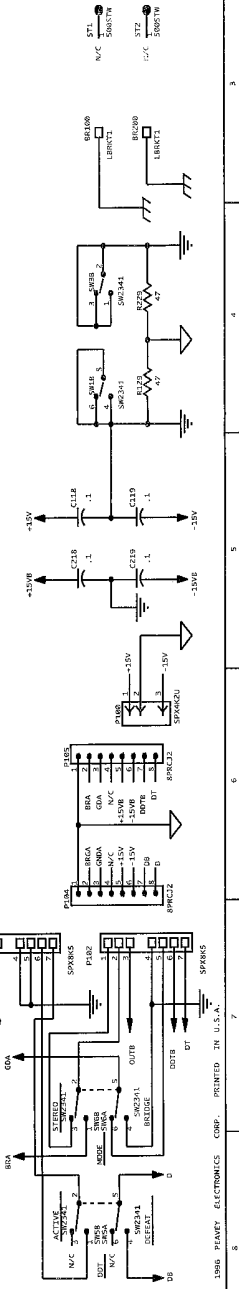
PV2K CROSSOVER





COMPANY PROPRIETARY INFORMATION

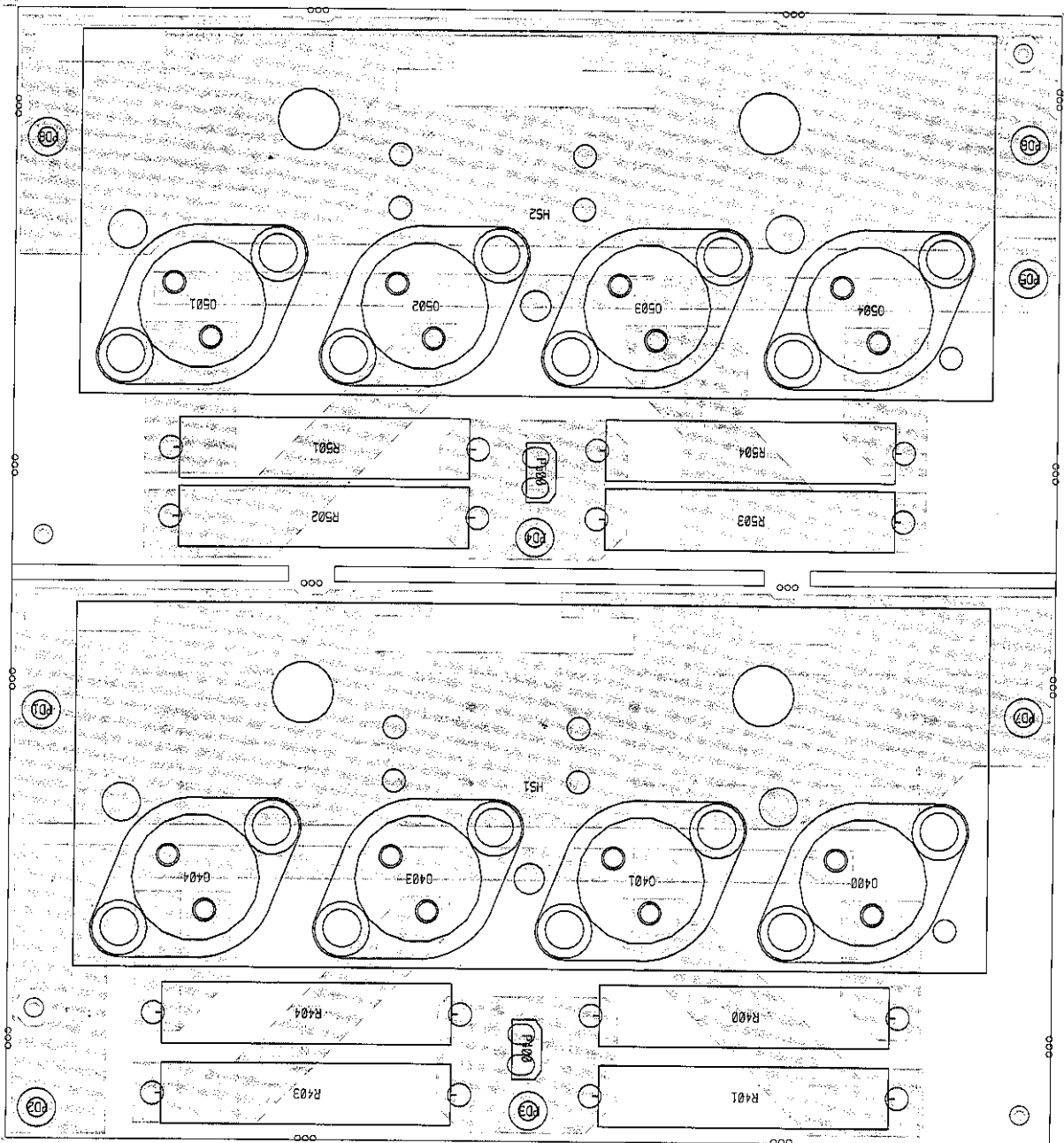
COMPANY	PEAVEY ELECTRONICS CORP.
MODEL	MODEL 10000
DATE	10/80
TITLE	PV20000 CROSSOVER
SIZE	C
PRINT	NUMBER 81500079
REV	A



Copyright 1980 Peavey Electronics Corp. Printed in U.S.A.



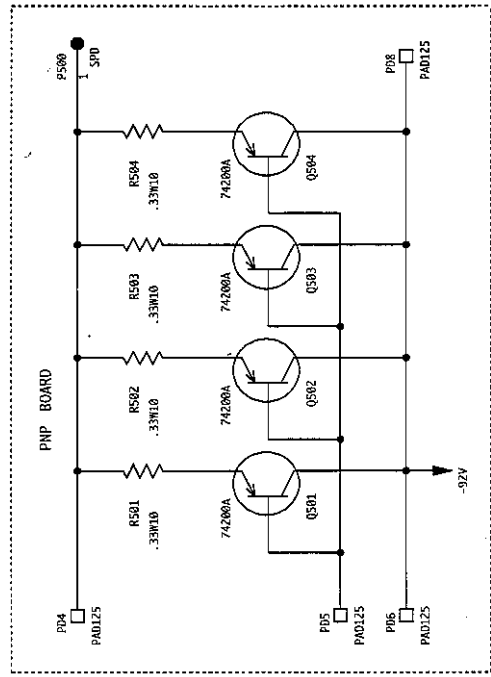
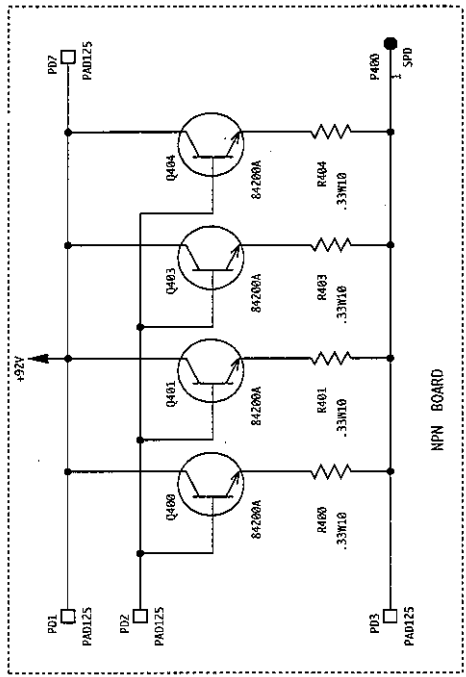




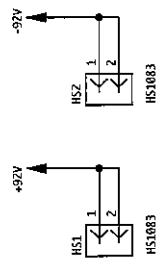
# PV2K Output

BOARD NAME: PV2K OUTPUT				DESCRIPTION AND DEVICE DESIGNATIONS
** QTY.	NAME	VALUE	PART NUMBER	
2	HS1083	98001083	98001083	P1.4K HEATSINK PLATE HS1, HS2
16	J2	J	70600004	22GA JUMPER WIRES T&A JP200, JP201, JP202, JP203, JP204, JP205, JP206, JP207, JP208, JP209, JP210, JP211, JP212, JP213, JP214, JP215
2	SPD	73716194	73716194	.250 PC MNT SPADE .093 PCB P400, P500
8	PAD125	XXXXXXXX	XXXXXXXX	XXXXXXXX PD1, PD2, PD3, PD4, PD5, PD6, PD7, PD8
4	84200A	84200	70484200	SJ-84200, NPN, 4 AMP, 200V, METRIC TO-3 TRANS.
4	74200A	74200	70474200	Q400, Q401, Q403, Q404 SJ-74200, 4 AMP, 200V, METRIC TO-3 PNP
8	.33W10	.33W10	70250011	Q501, Q502, Q503, Q504 .33-10W-10% -4W-AXL R400, R401, R403, R404, R501, R502, R503, R504

1 2 3 4 5 6 7 8



NOTICE: THIS CIRCUITRY IS PROTECTED BY U.S. PATENT NOS. 4,318,053 RE.33,333 4,724,396 AND 4,982,751. FOREIGN #'S 699556 357 78 538.1 64356 6,172,737 158,213 2,009,775 173,212 49567 8,386,933 P 690 11 559,4-98 (PATENTS PENDING) OWNED BY PEAVEY ELECTRONICS CORP. USE OR COPYING WITHOUT EXPRESS WRITTEN AUTHORITY FROM PEAVEY IS STRICTLY FORBIDDEN AND VIOLATORS WILL BE PROSECUTED TO THE FULLEST EXTENT ALLOWED UNDER U.S. PATENT LAWS.



PEAVEY ELECTRONICS CORP. 711 A STREET MERIDIAN, MISSISSIPPI 39301			
TITLE PVZ000 OUTPUT BD.			
SIZE B	CODE NUMBER	REV 81500079	REV A
DATE 16-MAY-97	SHEET 1	OF 1	

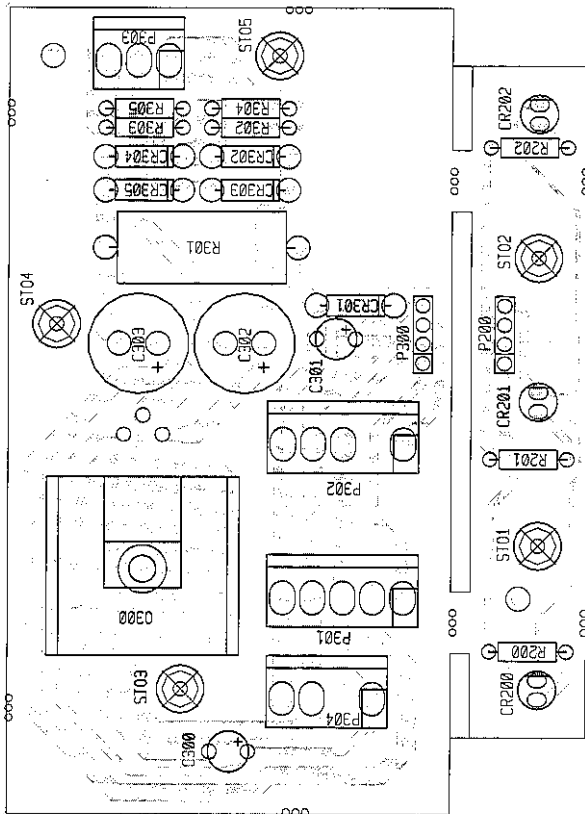


BOARD NAME: PV2K LOW VOLT

\*\* QTY. NAME PART VALUE NUMBER PART DESCRIPTION AND  
 DEVICE DESIGNATIONS \*\*\*\*\*  
 \*\*\*\*\*

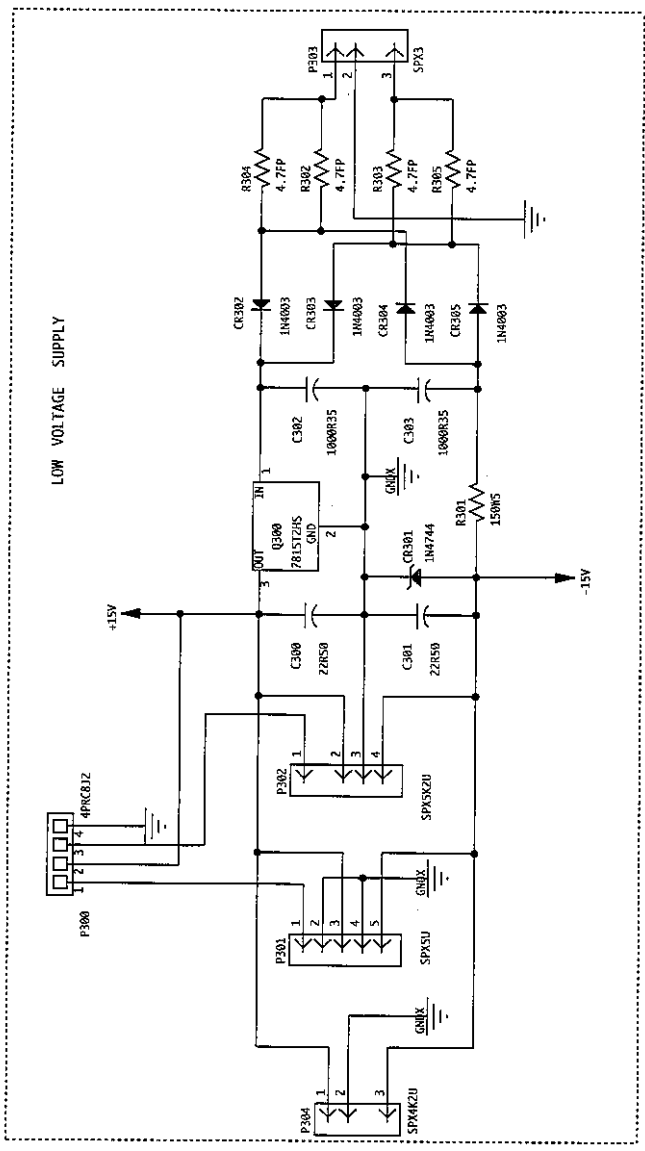
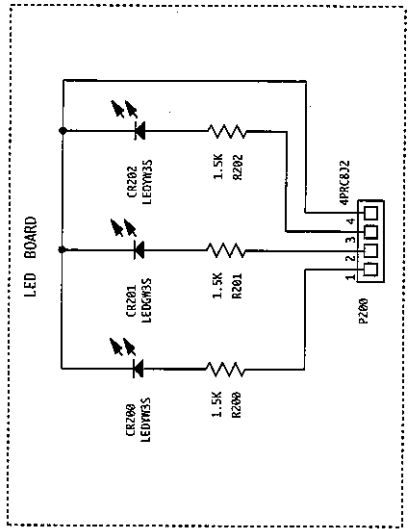
QTY.	NAME	PART	VALUE	NUMBER	PART	DESCRIPTION AND DEVICE DESIGNATIONS
2	22R50	22R50	22R50	70320181	22MF-20%-50VDC-EL-T&A	C300, C301
2	1000R35	1000R35	1000R35	70320186	1000MF-20%-35VDC-EL-T&A	C302, C303
1	LEDYWS	LEDYWS	LEDYWS	70450047	YELLOW T-1 LED W/ .300" SPACER T&A	CR200
1	LEDGWS	LEDGWS	LEDGWS	70450046	GREEN T-1 LED W/ .300" SPACER T&A	CR201
1	LEDYWS	LEDYWS	LEDYWS	70450047	YELLOW T-1 LED W/ .300" SPACER T&A	CR202
1	1N4744	4744	4744	70440102	SZG40102 15V 5% ZENER DIODE	CR301
4	1N4003	1N4003	1N4003	70464003	1N4003 200V SILICON DIODE	CR302, CR303, CR304, CR305
16	J2	J	J	70600004	22GA JUMPER WIRES T&A	JP200, JP201, JP202, JP203, JP204, JP205, JP206, JP207, JP208, JP209, JP210, JP211, JP212, JP213, JP214, JP215
2	4PRC8J2	4PRC8J2	4PRC8J2	70600055	4C PRE-TIN .100 CTR 8" JUMPER (SPLIT VERSION)	P200, P300
1	SPX5U	SPX5U	SPX5U	73717003	5 EACH OF STAKE PINS	P301
1	SPX5K2U	SPX5K2U	SPX5K2U	73717003	4 EACH STAKED PINS	P302
1	SPX3	SPX3	SPX3	XXXXSPX3	3 EACH OF STAKE PINS	P303
1	SPX4K2U	SPX4K2U	SPX4K2U	XXXXXXX	3 EACH OF STAKE PINS	P304
1	7815T2HS	7815	7815	70400340	7815 15V IA POS TO-220 RG	Q300
3	1.5K	1.5K	1.5K	70240018	1.5K-1/4W-5%-CF-T&R	R200, R201, R202
1	150W5	150W5	150W5	70250040	150-5W-10%-WR-AXL	R301
4	4.7FP	4.7FP	4.7FP	70240094	4.7FP-1/4W-10%-FF-T&R	R302, R303, R304, R305
5	375SOW	70900295	70900295		SPACER, 3/8" R(#4), .187 SWAGE ALUM.	ST01, ST02, ST03, ST04, ST05

\* END OF BILL OF MATERIALS REPORT \*  
 \*\*\*\*\*



PV 2K Low Voltage

LAST USED: P304, C303, A305, CR305



NOTICE: THIS CIRCUITRY IS PROTECTED BY U.S. PATENT NOS. 4,318,053 RE.33,333 4,724,396 AND 4,992,751. FOREIGN #'S 64356 0,172,737 158,213 2,089,775 173,212 49567 0,386,933 P 690 11 550,4-08 (PATENTS PENDING) OWNED BY PEAVEY ELECTRONICS CORP. USE OR COPYING WITHOUT EXPRESS WRITTEN AUTHORITY FROM PEAVEY IS STRICTLY FORBIDDEN AND VIOLATORS WILL BE PROSECUTED TO THE FULLEST EXTENT ALLOWED UNDER U.S. PATENT LAWS.

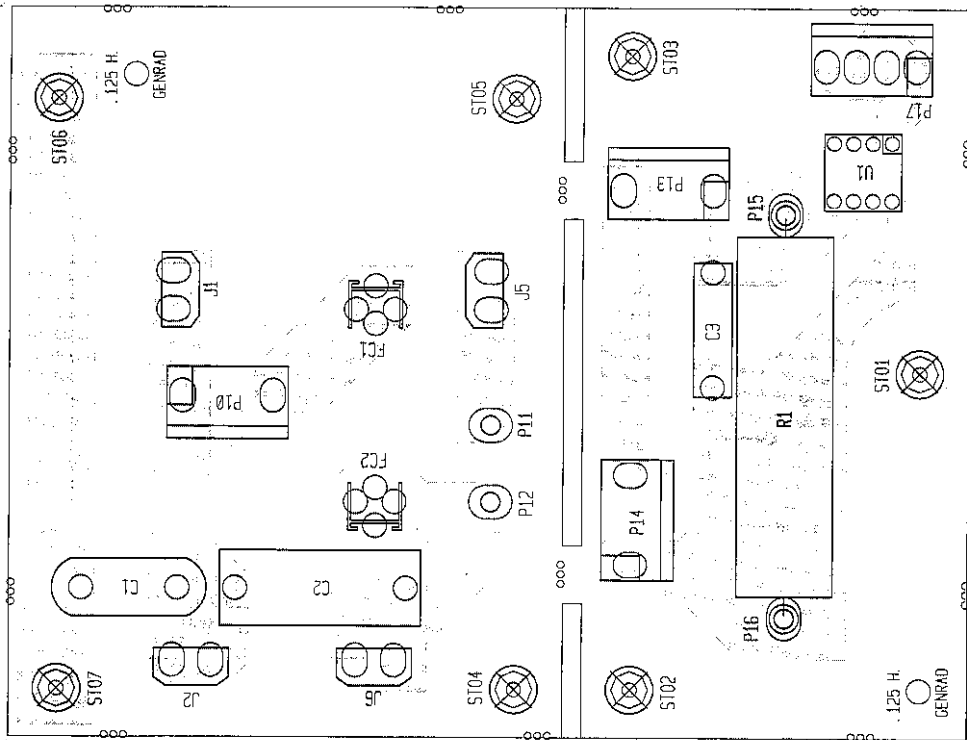
ST01 - N/C 37550W  
 ST02 - N/C 37550W  
 ST03 - N/C 37550W  
 ST04 - N/C  
 ST05 - N/C 37550W

PEAVEY ELECTRONICS CORP. 711 A STREET MERCIDIAN, MISSISSIPPI 39301			
TITLE	SIZE	CODE	REV
PV2000 LOW VOLT BOARD	B	NUMBER	A
DATE	PRINT	81500079	1 OF 1
16-MAY-97			SHEET

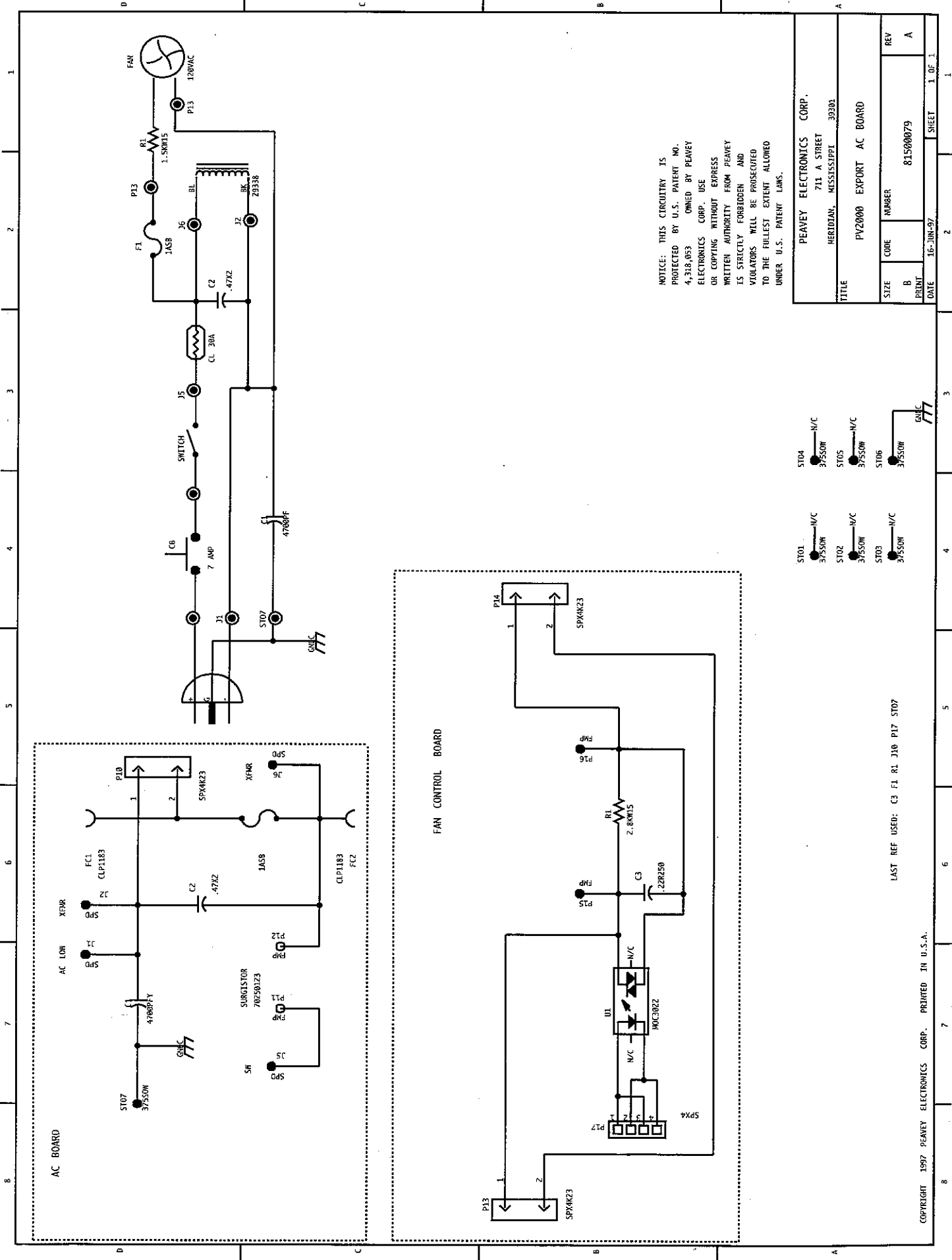
BOARD NAME: PV2.0K 230V

QTY.	NAME	VALUE	PART NUMBER	DESCRIPTION AND DEVICE DESIGNATIONS
1	4700PFY	4700PFY	70320125	4700PF, 400VAC EXP LINE CAP Y
1	.47X2	.47X2	70320271	.47MF-20%-275VAC-MP-R/W
1	.22R250	.22R250	70320129	.22MFD 10% 250V MY R/W
2	CLF1183	CLF1183	70901183	FUSECLIP, PC MT - T&A
4	SPD	73716194	73716194	.250 PC MNT SPADE .093 PCB
1	SPX4K23	SPX4K23	73717003	J1, J2, J5, J6 2 EACH OF STAKE PINS
2	FMP	FMP	73711811	M118-171 C.B. FEMALE MOLEX PIN
2	SPX4K23	SPX4K23	73717003	P11, P12 2 EACH OF STAKE PINS
2	FMP	FMP	73711811	P13, P14 M118-171 C.B. FEMALE MOLEX PIN
1	SPX4	SPX4	XXXXXXX	P15, P16 4 EACH OF STAKE PINS
1	2.8KW15	2.8KW15	70250082	P17 2800 15W 10% WW AXL
7	375S06	70900285	70900285	R1 SPACER, 3/8,R(#4),.187 SWAGE ALUM.
1	MOC3022	70400635	70400635	ST01, ST02, ST03, ST04, ST05, ST06, ST07 MOC635A OPTO COUPLER/ISO

\*\*\*\*\*



PV2.0K EXPORT AC/FAN



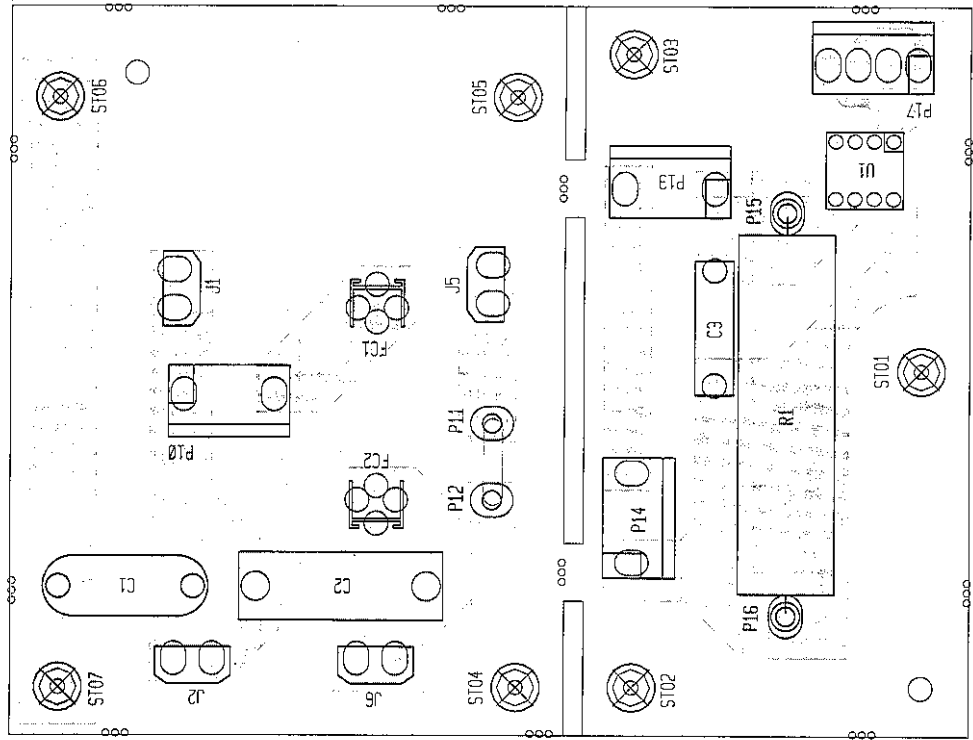
NOTICE: THIS CIRCUITRY IS PROTECTED BY U.S. PATENT NO. 4,318,063 OWNED BY PEAVEY ELECTRONICS CORP. USE OR COPYING WITHOUT EXPRESS WRITTEN AUTHORITY FROM PEAVEY IS STRICTLY FORBIDDEN AND VIOLATORS WILL BE PROSECUTED TO THE FULLEST EXTENT ALLOWED UNDER U.S. PATENT LAWS.

PEAVEY ELECTRONICS CORP. 711 A STREET HERIDIAN, MISSISSIPPI 39301	
TITLE PV2000 EXPORT AC BOARD	
SIZE B	CODE NUMBER 81500079
REV A	REV A
DATE 16-JUN-97	SHEET 1 OF 1

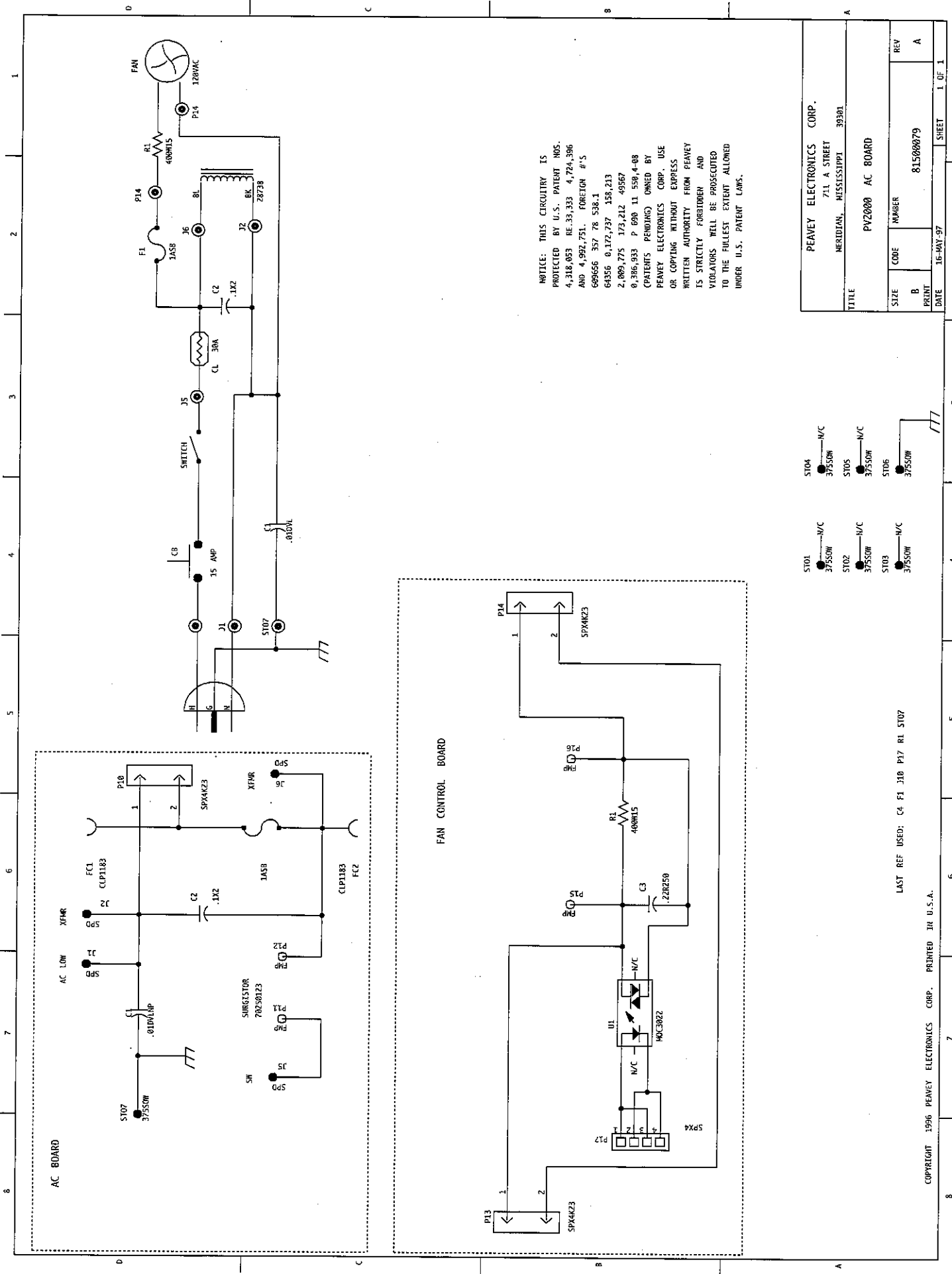
LAST REF USED: C3 F1 R1 J10 P17 ST07

BOARD NAME: PV2.0K AC BD  
 PART NAME VALUE PART NUMBER

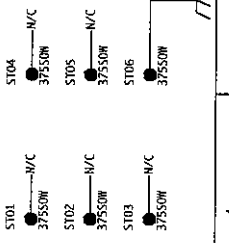
QTY.	NAME	VALUE	PART NUMBER	DESCRIPTION AND DEVICE DESIGNATIONS
1	.01DVLMP	.01DVLMP	70320104	.01 MFD 125VDC DVL MYLAR +0-20%
1	.1X2	70320298	70320298	.1MF 250VAC X2 20%
1	.22R250	.22R250	70320129	.22MFD 10% 250V HY R/W
2	CLP1183	CLP1183	70901183	FUSECLIP, PC MT - TRA
4	SPD	73716194	73716194	.250 PC MNT SPADE .093 PCB
16	J2	J	70600004	J1, J2, J5, J6
1	SPX4K23	SPX4K23	73717003	22GA JUMPER WIRES TEA
2	FMP	FMP	73711811	JP200,JP201,JP202,JP203,JP204, JP205,JP206,JP207,JP208,JP209, JP210,JP211,JP212,JP213,JP214, JP215
2	SPX4K23	SPX4K23	73717003	2 EACH OF STAKE PINS
2	FMP	FMP	73711811	P10
2	SPX4K23	SPX4K23	73717003	M118-171 C.B.FEMALE MOLEX PIN
2	FMP	FMP	73711811	P11, P12
1	SPX4	SPX4	XXXXXXX	P13, P14
1	400W15	400W15	70250013	M118-171 C.B.FEMALE MOLEX PIN
7	375SOW	70900295	70900295	P15, P16
1	MOC3022	70400635	70400635	4 EACH OF STAKE PINS
				P17
				R1
				SPACER, 3/8, R (#4), .187 SWAGE ALUM.
				STO1, STO2, STO3, STO4, STO5, STO6, STO7
				MOC635A OPTO COUPLER/ISO UI



PV2000 DOMESTIC AC



PEAVEY ELECTRONICS CORP.	
711 A STREET MORNING, MISSISSIPPI 39301	
TITLE PV2000 AC BOARD	
SIZE B	CODE NUMBER
REV A	81500079
PRINT DATE	16-MAY-97
SHEET	1 OF 1

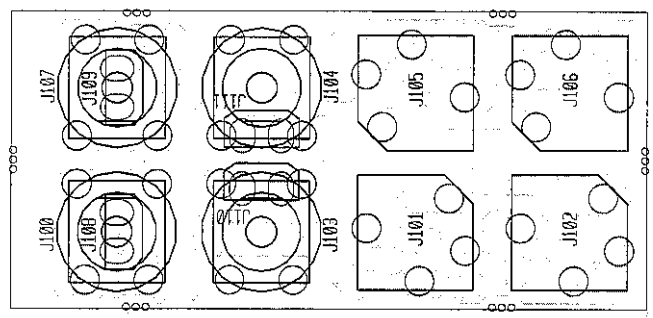


LAST REF USED: C4 F1 J10 P17 R1 ST07

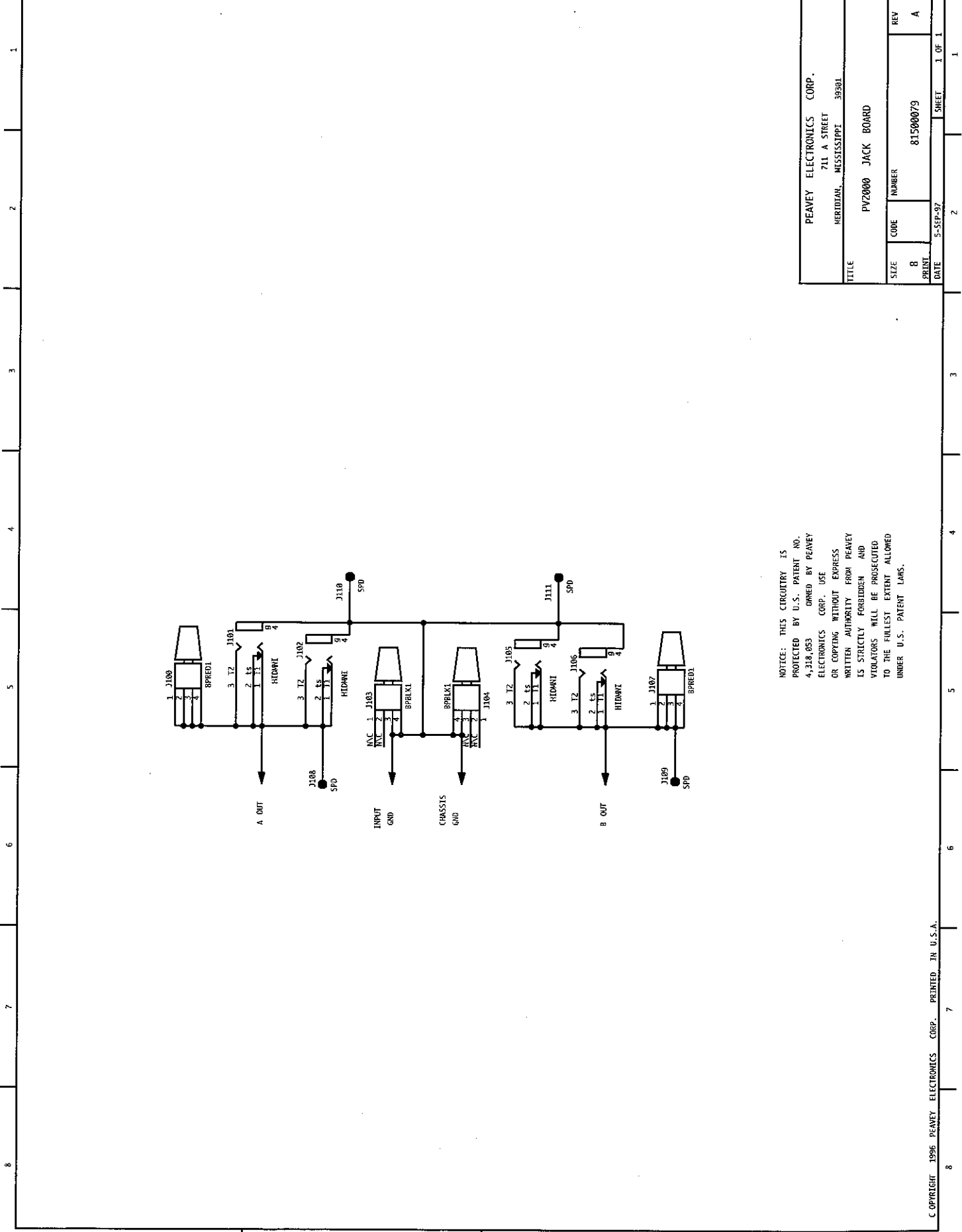
BOARD NAME: PV2K JACK BD.

** QTY. NAME	PART VALUE	NUMBER	PART DEVICE DESIGNATIONS	DESCRIPTION AND
1	BPREDI	71466201	71466201	BINDING POST PC RED-90
2	HIDMNI	71466214	71466214	J100 2 TIP HID JACK NINS W/SPD
2	BPBLK1	71466200	71466200	J101, J102 BINDING POST PC BLK-90
2	HIDMNI	71466214	71466214	J103, J104 2 TIP HID JACK NINS W/SPD
1	BPREDI	71466201	71466201	J105, J106 BINDING POST PC RED-90
4	SPD	73716194	73716194	J107 .250 PC MNT SPADE .093 PCB

\* END OF BILL OF MATERIALS REPORT \*  
\*\*\*\*\*



PV2000 JACK DOMESTIC



NOTICE: THIS CIRCUITRY IS  
 PROTECTED BY U.S. PATENT NO.  
 4,314,053 OWNED BY PEAVEY  
 ELECTRONICS CORP. USE  
 OR COPYING WITHOUT EXPRESS  
 WRITTEN AUTHORITY FROM PEAVEY  
 IS STRICTLY FORBIDDEN AND  
 VIOLATORS WILL BE PROSECUTED  
 TO THE FULLEST EXTENT ALLOWED  
 UNDER U.S. PATENT LAWS.

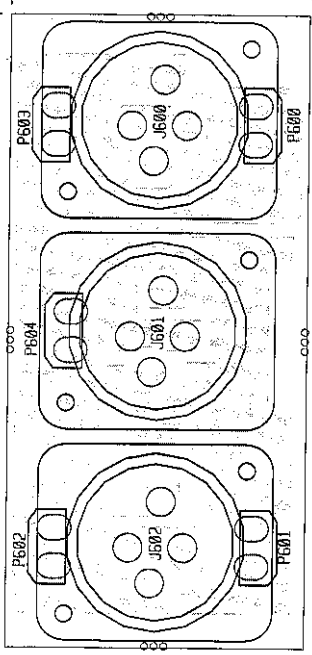
PEAVEY ELECTRONICS CORP. 711 A STREET MERIDIAN, MISSISSIPPI 39501			
TITLE PV2000 JACK BOARD			
SIZE 8	CODE	NUMBER 81500079	REV A
PRINT DATE	5-SEP-97	SHEET 1 OF 1	1



BOARD NAME: PV2KEXP JACK  
 PROJECT NUMBER: P9500213

QTY.	NAME	VALUE	PART NUMBER	DESCRIPTION AND DEVICE DESIGNATIONS
3	71466258	71466258	71466258	PCB COMM. 4 POLE SPEAKON (NEUTRIK) J600, J601, J602
5	SPD	73716194	73716194	.250 PC MNT SPADE .093 PCB P600, P601, P602, P603, P604

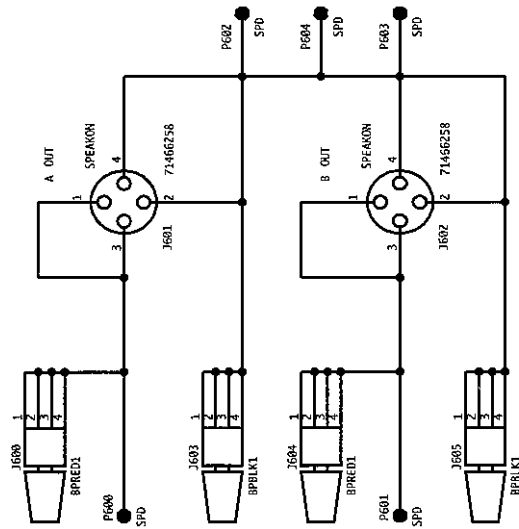
\* END OF BILL OF MATERIALS REPORT \*  
 \*\*\*\*\*



# PV 2000 EXP JACK

1 2 3 4 5 6 7 8

D C B A



"COMPANY PROPRIETARY INFORMATION"

PEAVEY ELECTRONICS CORP.  
711 A STREET  
MERIDIAN, MISSISSIPPI 39301

TITLE  
PV EXPORT JACK BD.

SIZE	CODE	NUMBER	REV
B		81500079	A
DATE	5-SEP-97	SHEET	1 OF 1