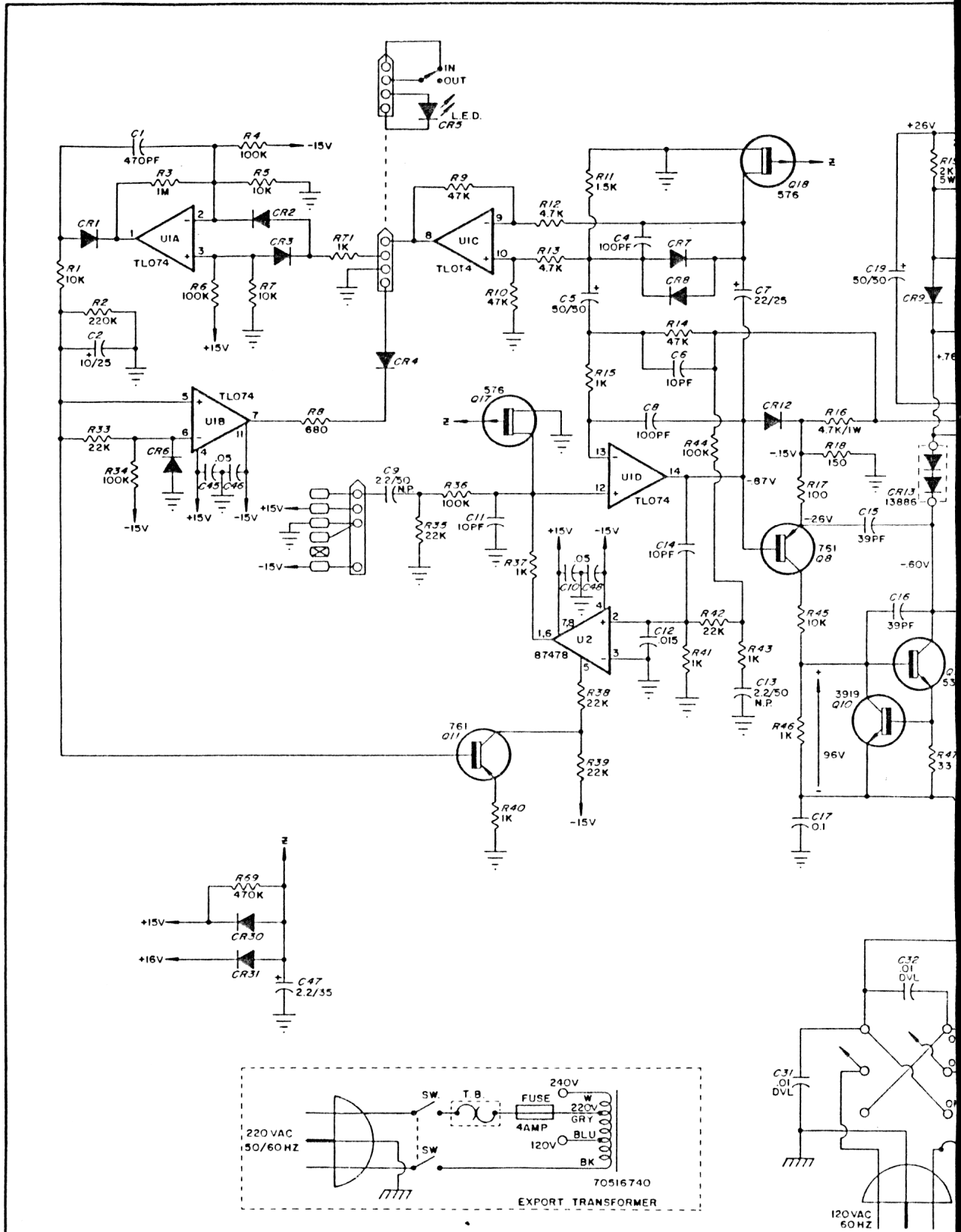
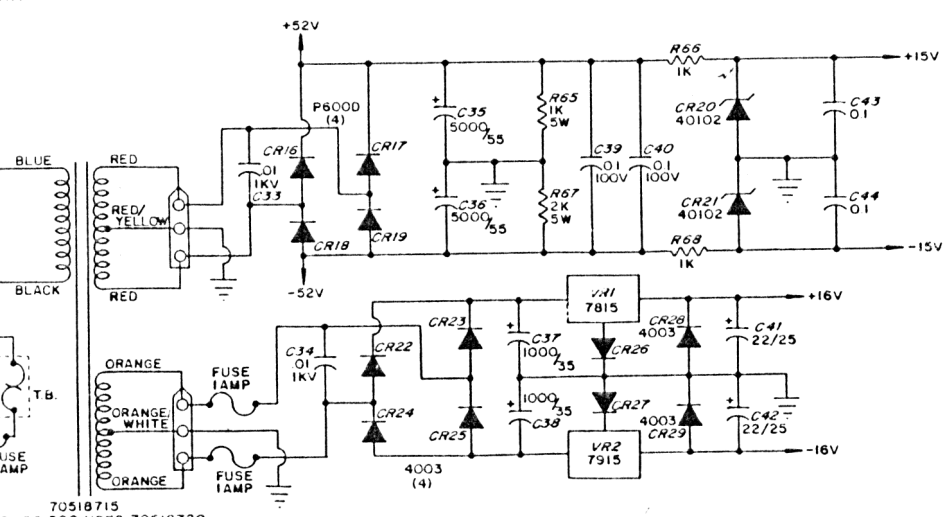
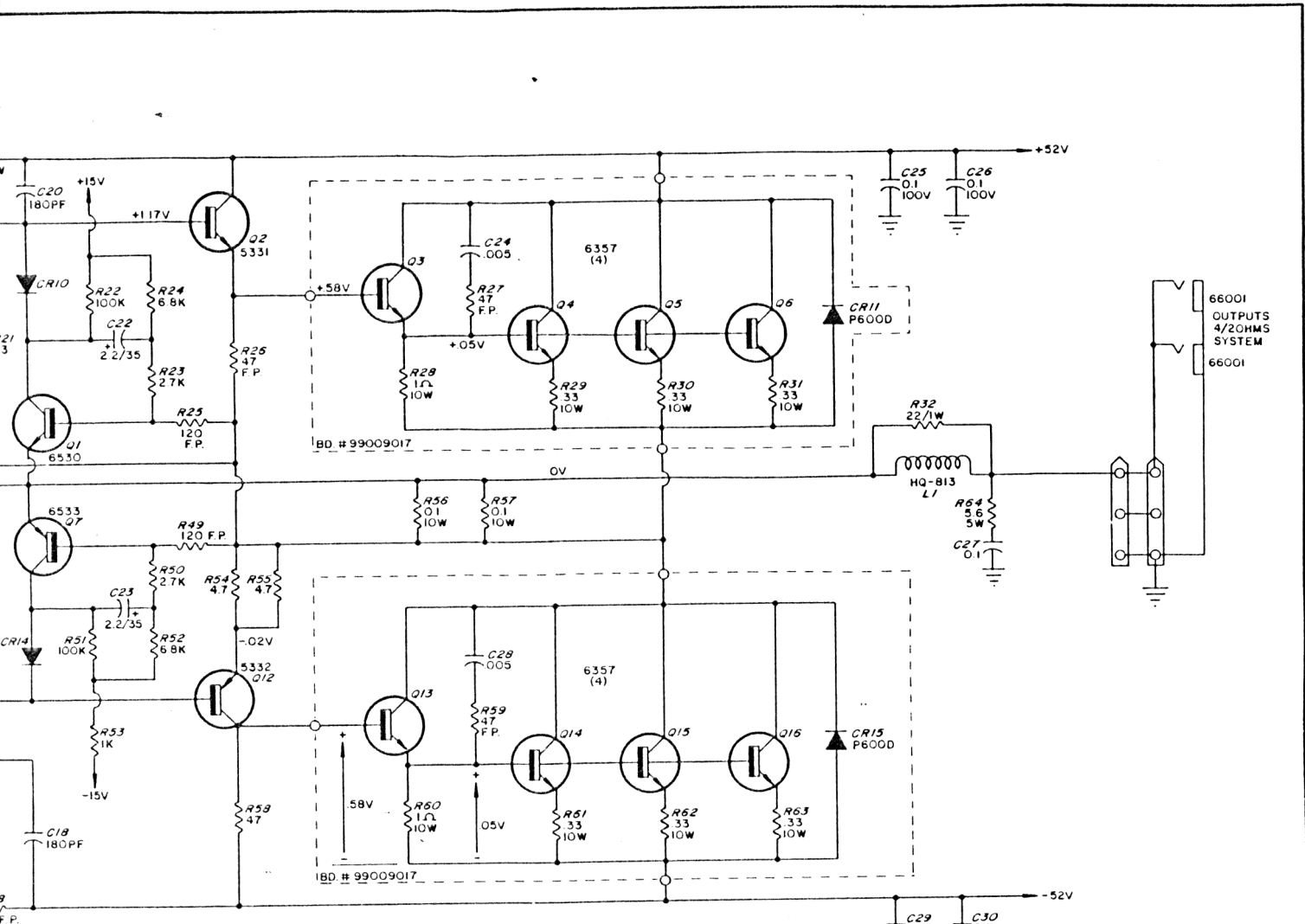


PEAVEY XR600C



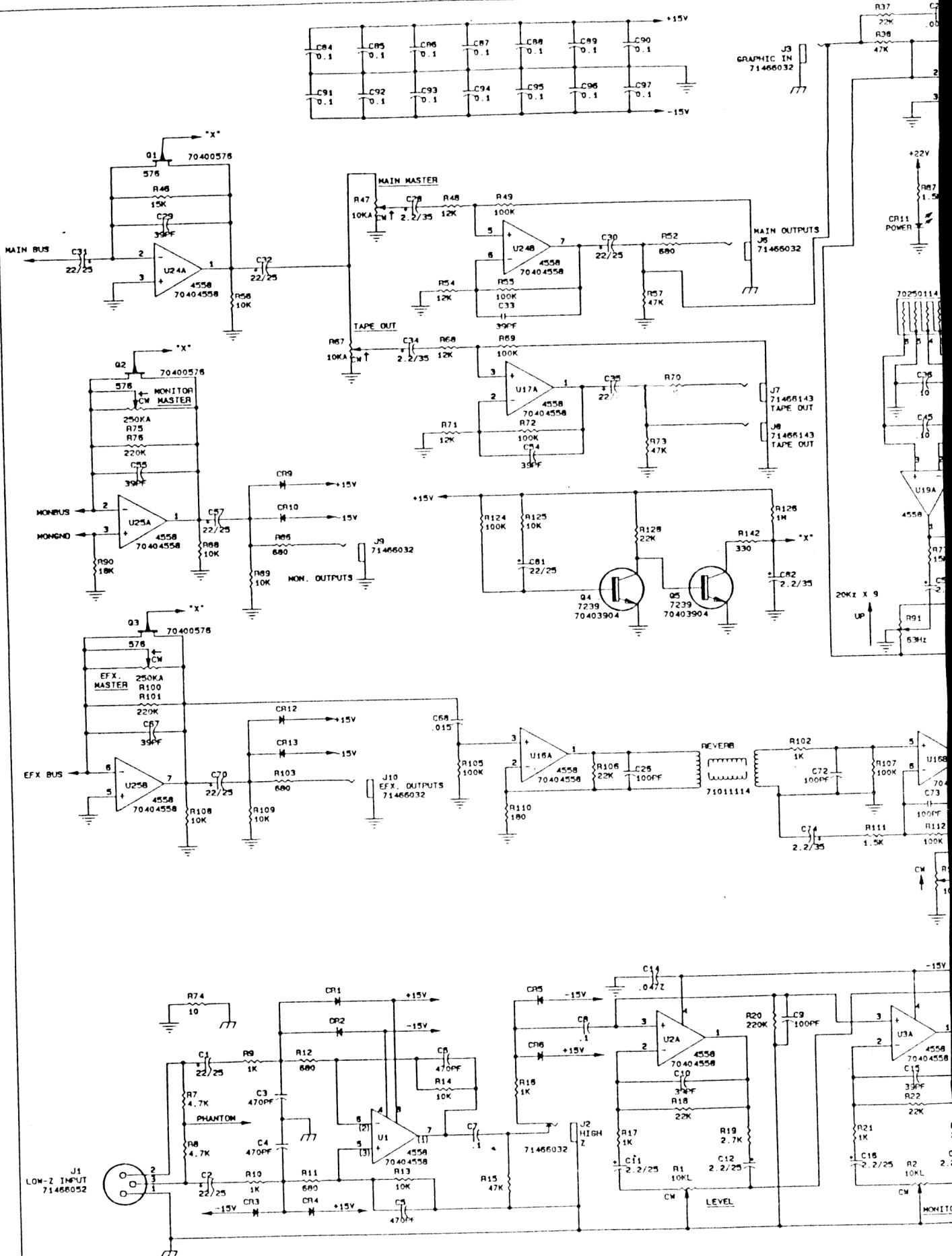


NOTES
 ALL RESISTORS 1/4W UNLESS NOTED
 ALL RESISTORS IN OHMS UNLESS NOTED
 ALL CAPACITORS IN MFD UNLESS NOTED
 ALL DIODES IN4148 UNLESS NOTED
 LAST REF. DESIGNATOR USED:
 R69 C48 CR31 Q13 U2 VR2
 VOLTAGES MAY VARY FROM UNIT TO UNIT
 CIRCUITRY PATENTS APPLIED FOR AND PENDING

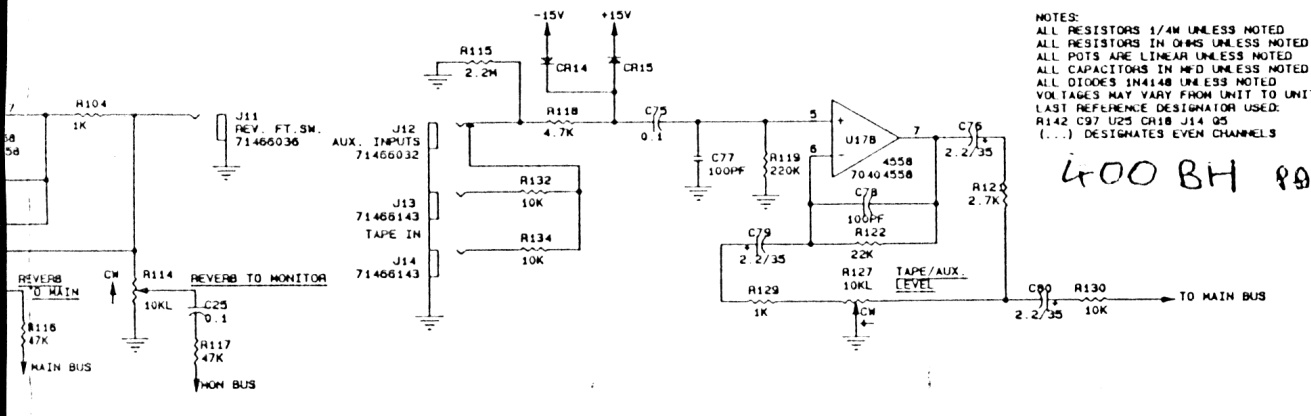
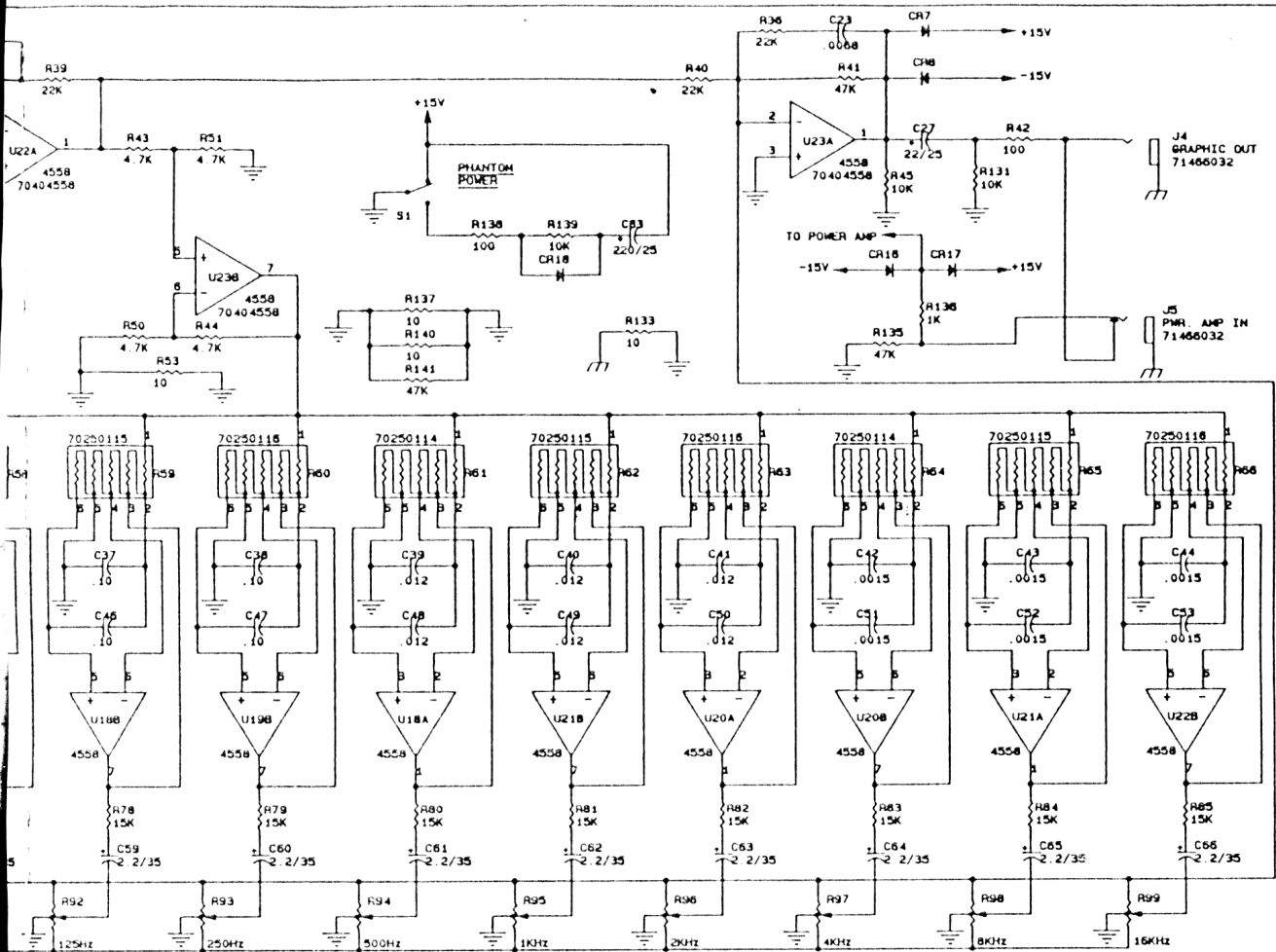
400 BH MODULE
 BD #99009018
 (11/24/80)

REVISED 2/23/83	REQ
PEAVEY ELECTRONICS CORP. MERIDIAN, MS.	
DRAWN BY <i>AG</i>	DATE 2-16-81
C.B. CHECK <i>AG</i>	
CHECK BY <i>AGD</i>	
APPR. BY <i>Jed</i>	

P/N 81506000

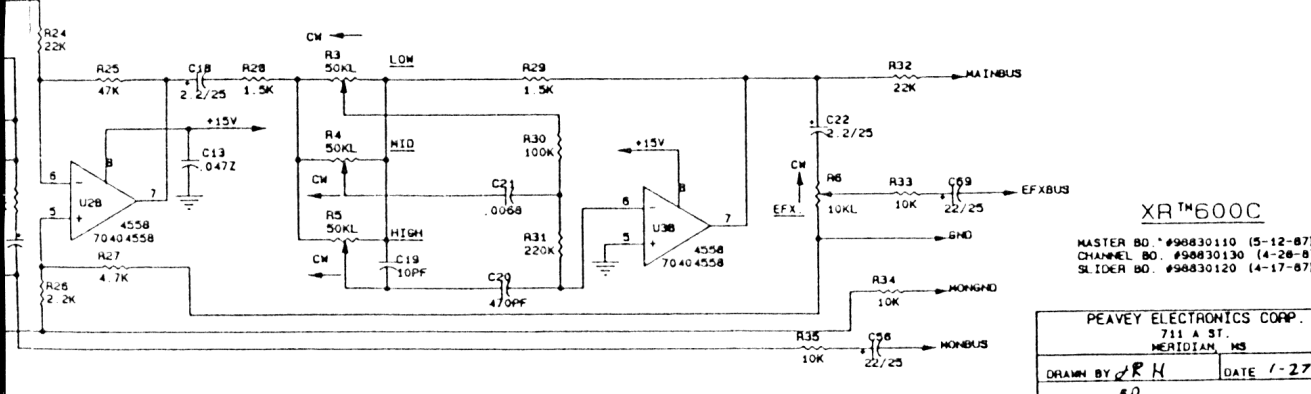


MASTER



NOTES:
 ALL RESISTORS 1/4W UNLESS NOTED
 ALL RESISTORS IN OHMS UNLESS NOTED
 ALL POTS ARE LINEAR UNLESS NOTED
 ALL CAPACITORS IN MFD UNLESS NOTED
 ALL DIODES IN4148 UNLESS NOTED
 VOLTAGES MAY VARY FROM UNIT TO UNIT
 LAST REFERENCE DESIGNATOR USED:
 R142 C97 U25 CR18 J14 Q5
 (...) DESIGNATES EVEN CHANNELS

400 BH 89



XR™600C

MASTER BD. #98830110 (5-12-87)
 CHANNEL BD. #98830130 (4-28-87)
 SLIDER BD. #98830120 (4-17-87)

PEAVEY ELECTRONICS CORP. 711 A ST. MERIDIAN, MS	
DRAWN BY <i>JRH</i>	DATE <i>1-27-88</i>
C.B. CK <i>EP</i>	
CK. BY <i>JRH</i>	
APP. BY <i>JRH</i>	