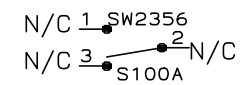
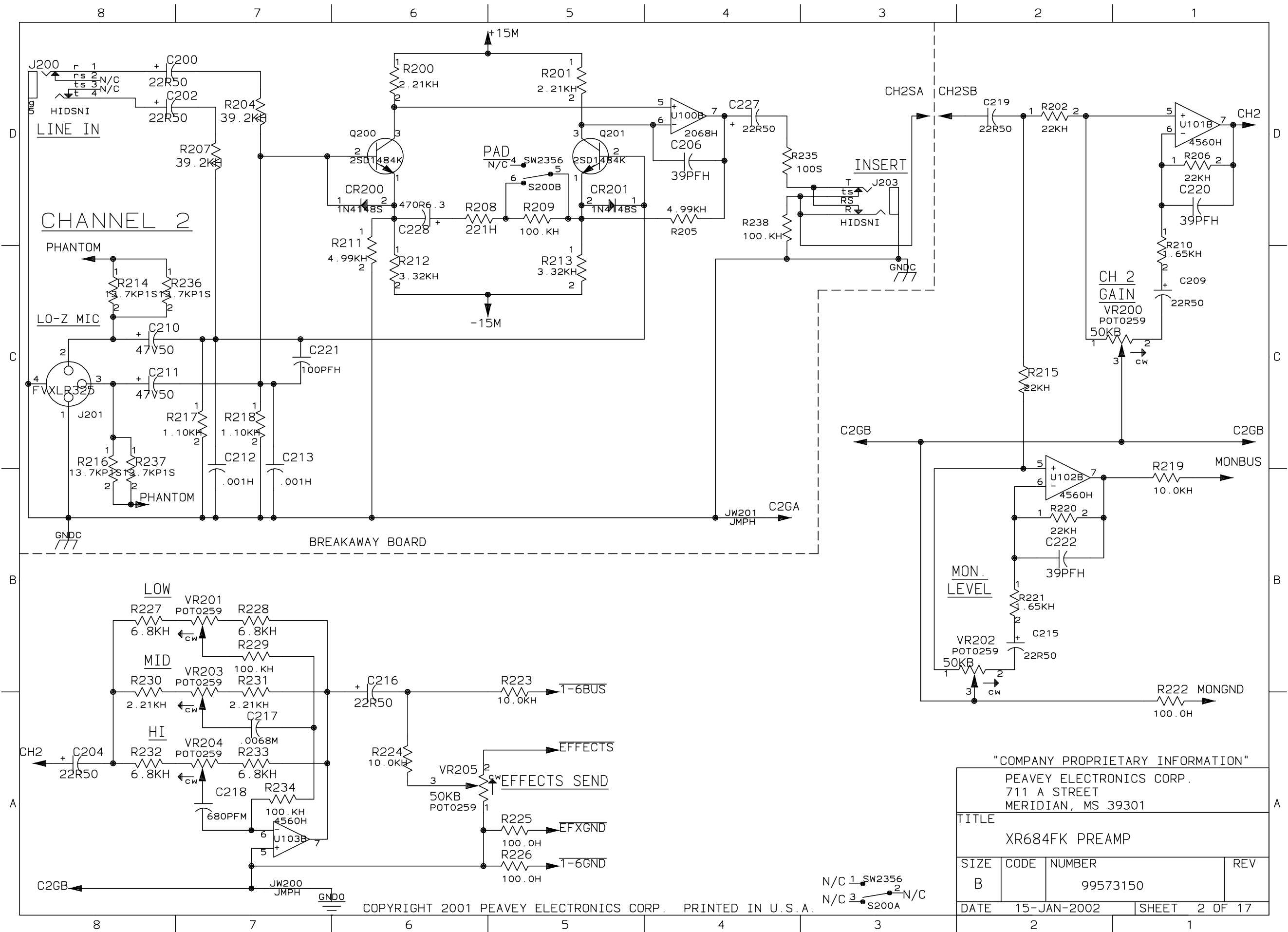


COPYRIGHT 2001 PEAVEY ELECTRONICS CORP. PRINTED IN U.S.A.

"COMPANY PROPRIETARY INFORMATION"

PEAVEY ELECTRONICS CORP. 711 A STREET MERIDIAN, MS 39301			
TITLE XR684FK PREAMP			
SIZE B	CODE	NUMBER 99573150	REV
DATE 15-JAN-2002	SHEET 1 OF 17		





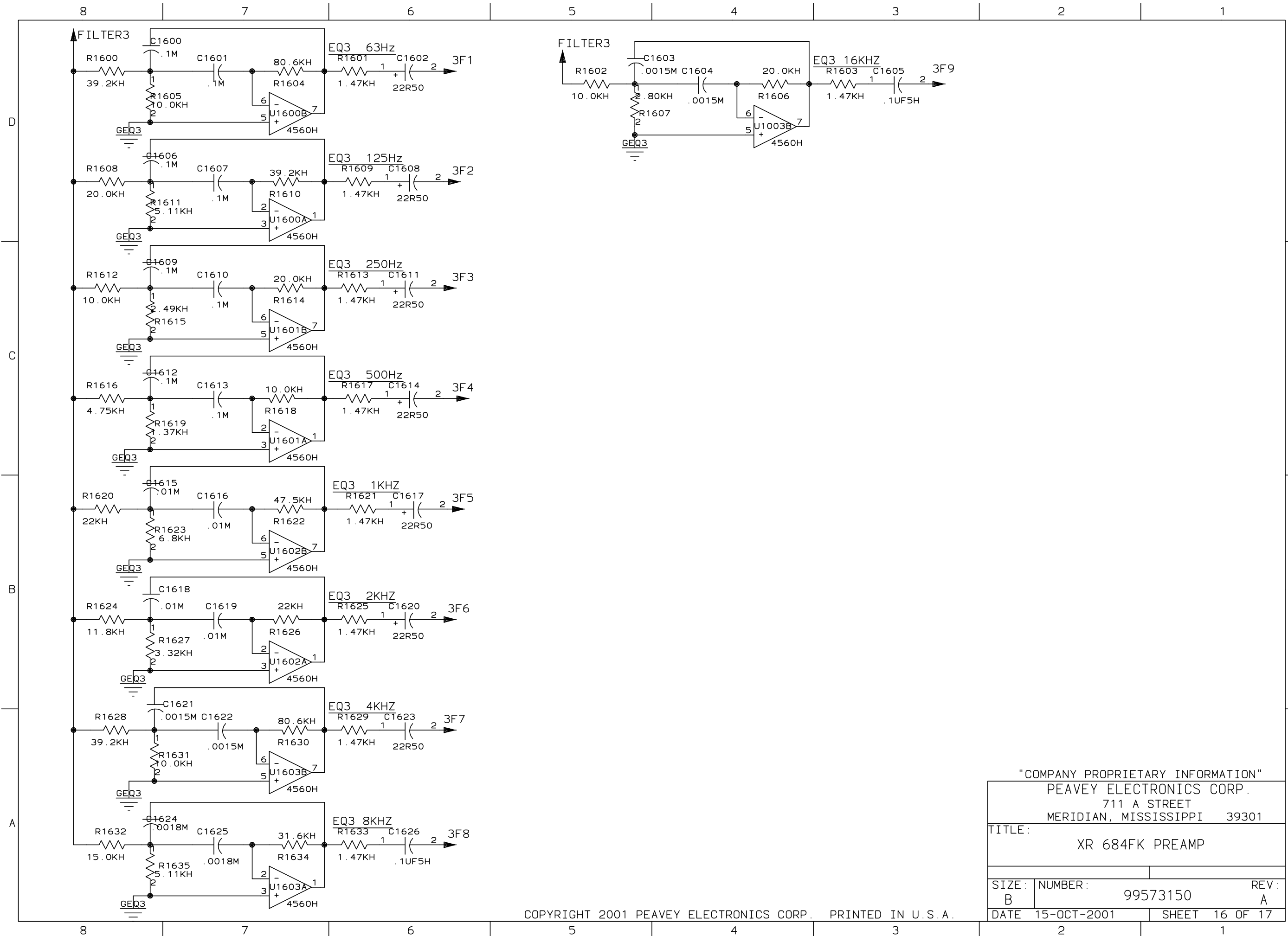
COPYRIGHT 2001 PEAVEY ELECTRONICS CORP. PRINTED IN U.S.A.

"COMPANY PROPRIETARY INFORMATION"

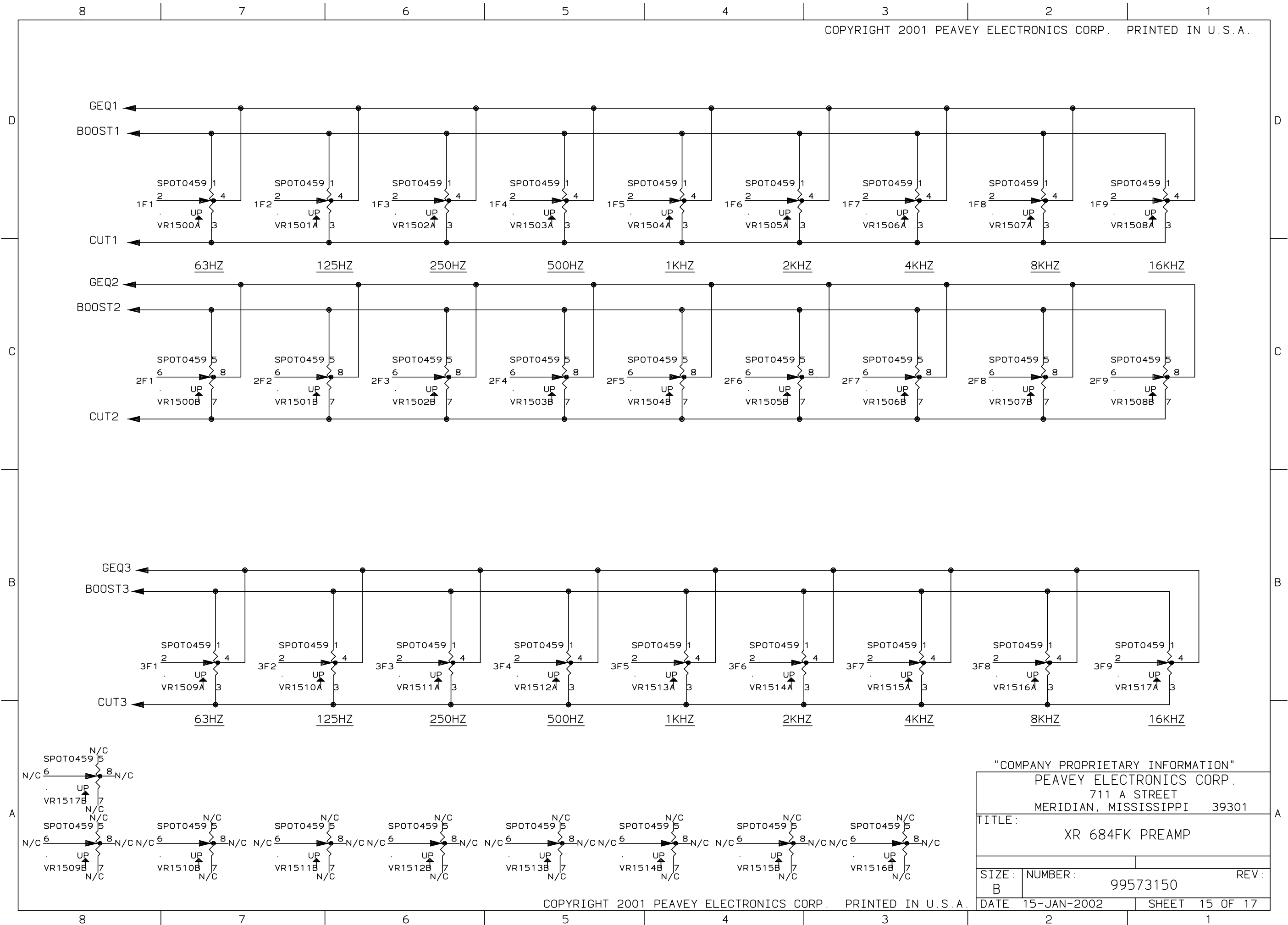
PEAVEY ELECTRONICS CORP.  
711 A STREET  
MERIDIAN, MS 39301

TITLE  
XR684FK PREAMP

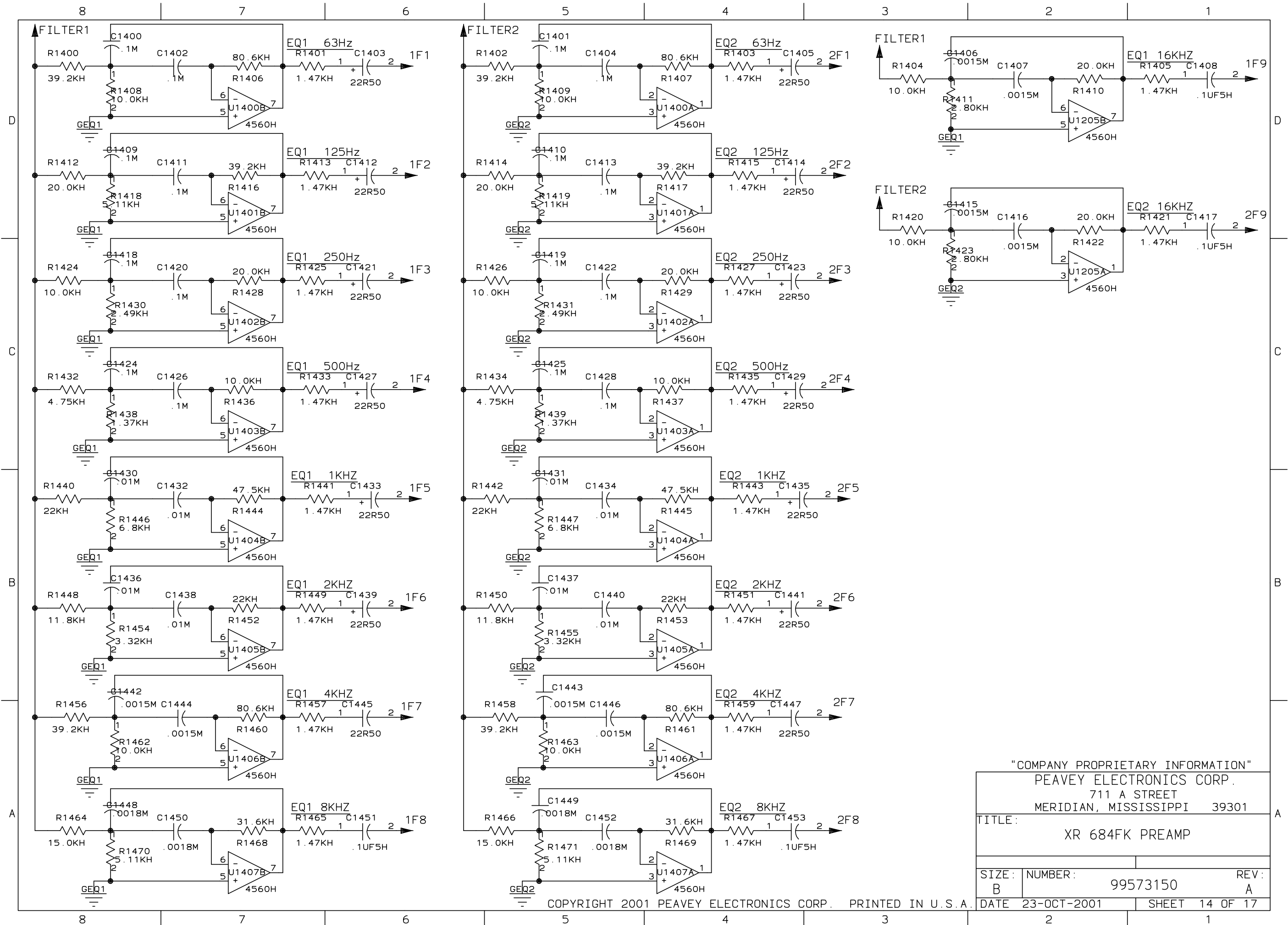
SIZE	CODE	NUMBER	REV
B		99573150	
DATE	15-JAN-2002	SHEET	2 OF 17



"COMPANY PROPRIETARY INFORMATION"		
PEAVEY ELECTRONICS CORP. 711 A STREET MERIDIAN, MISSISSIPPI 39301		
TITLE: XR 684FK PREAMP		
SIZE: B	NUMBER: 99573150	REV: A
DATE 15-OCT-2001	SHEET 16 OF 17	



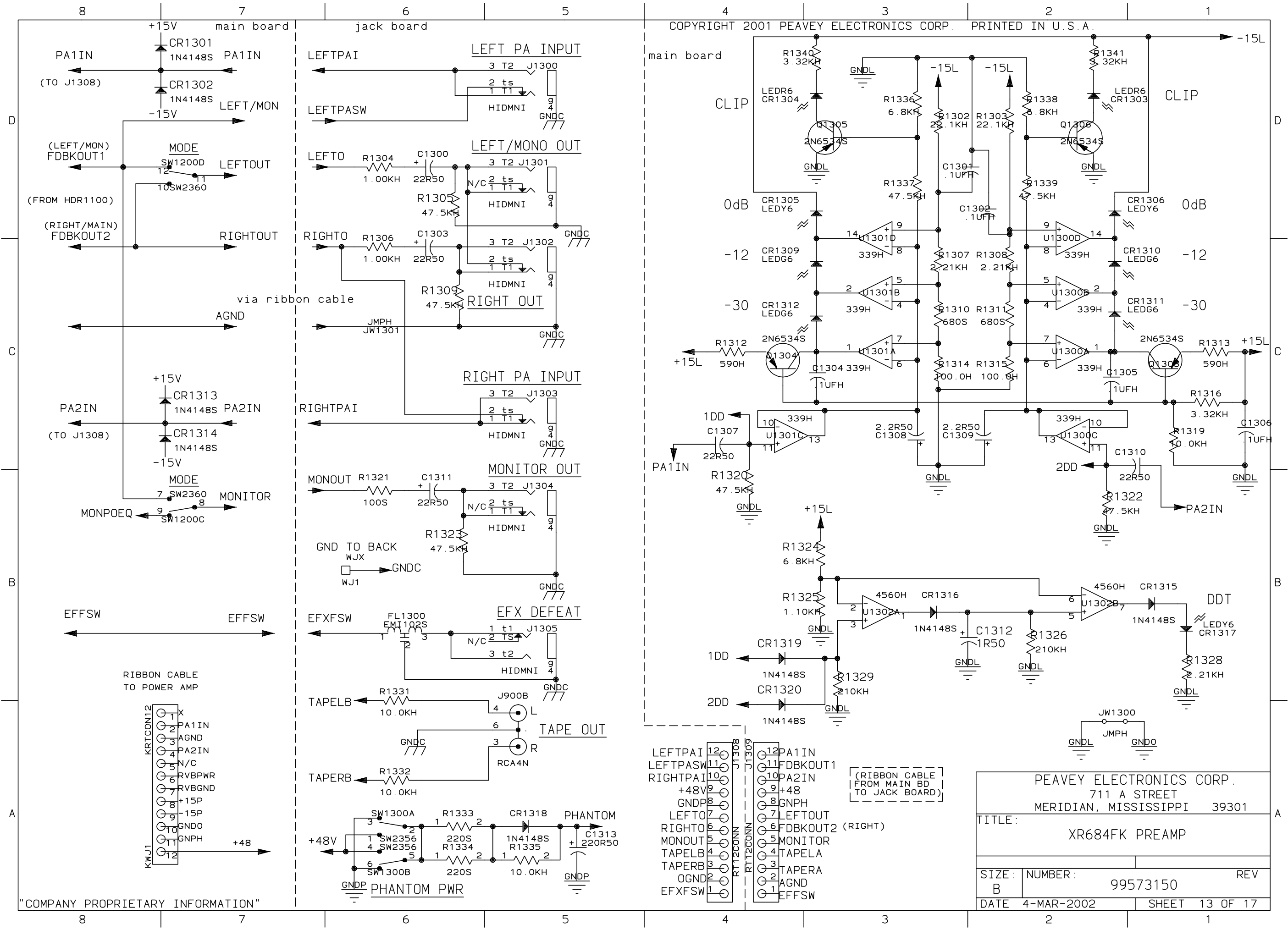
"COMPANY PROPRIETARY INFORMATION"		
PEAVEY ELECTRONICS CORP. 711 A STREET MERIDIAN, MISSISSIPPI 39301		
TITLE: XR 684FK PREAMP		
SIZE: B	NUMBER: 99573150	REV:
DATE: 15-JAN-2002	SHEET 15 OF 17	



"COMPANY PROPRIETARY INFORMATION"  
 PEAVEY ELECTRONICS CORP.  
 711 A STREET  
 MERIDIAN, MISSISSIPPI 39301

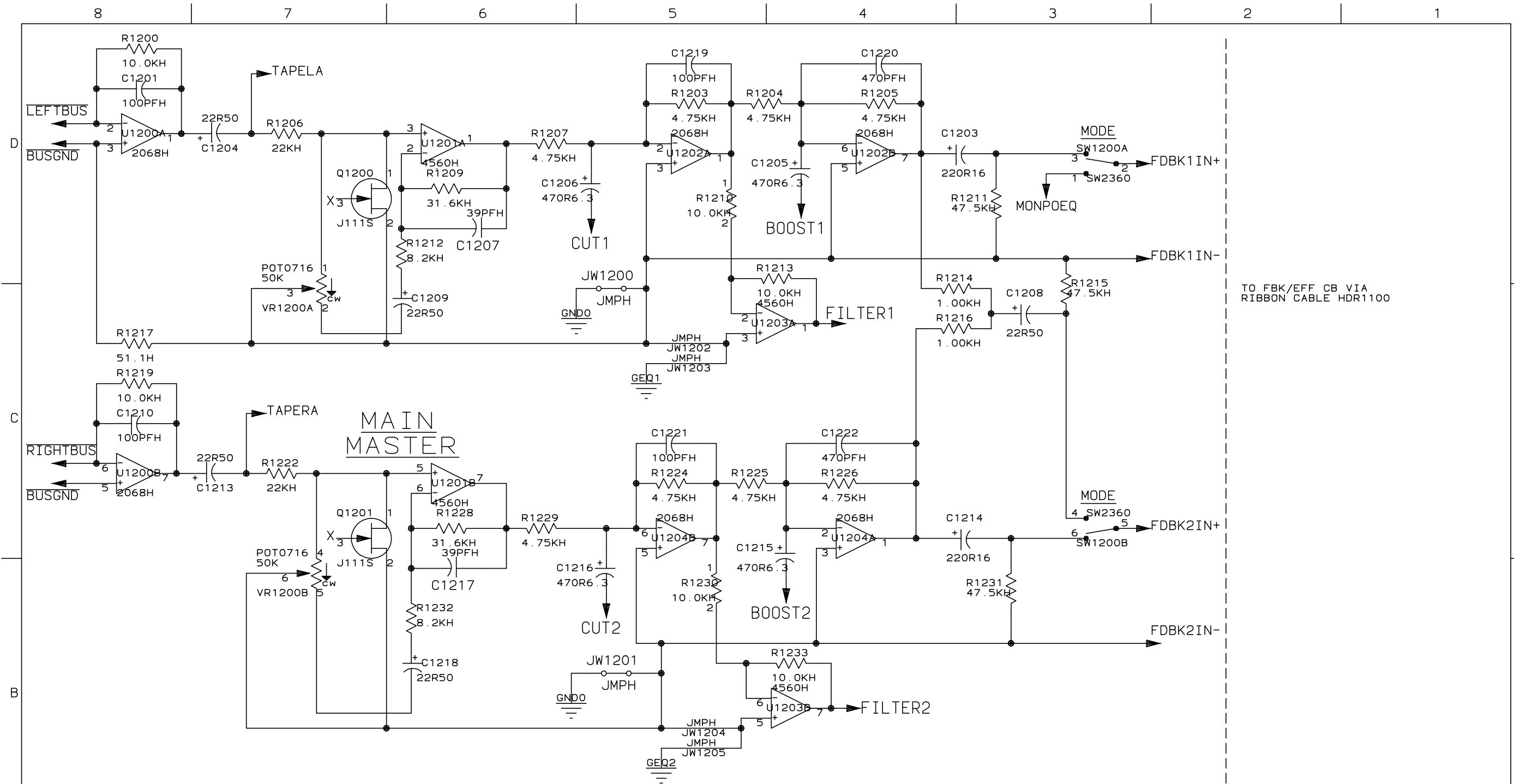
TITLE: XR 684FK PREAMP

SIZE: B	NUMBER: 99573150	REV: A
DATE: 23-OCT-2001	SHEET 14 OF 17	

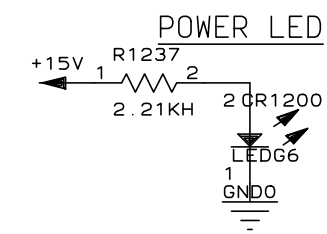


PEAVEY ELECTRONICS CORP. 711 A STREET MERIDIAN, MISSISSIPPI 39301		
TITLE: XR684FK PREAMP		
SIZE: B	NUMBER: 99573150	REV
DATE 4-MAR-2002	SHEET 13 OF 17	

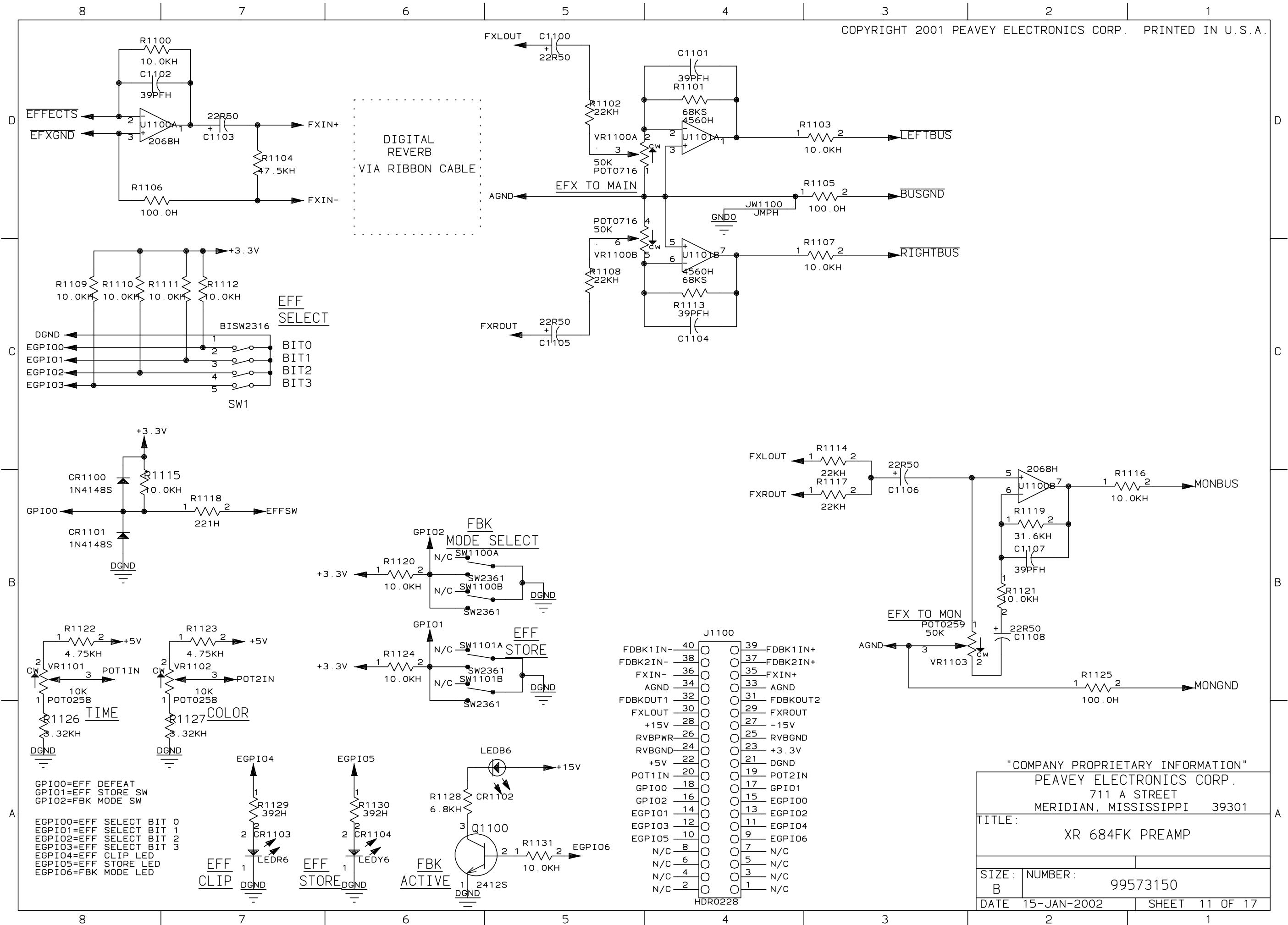
"COMPANY PROPRIETARY INFORMATION"



TO FBK/EFF CB VIA RIBBON CABLE HDR1100



PEAVEY ELECTRONICS CORP. 711 A STREET MERIDIAN, MISSISSIPPI 39301		
TITLE: XR684FK PREAMP		
SIZE: B	NUMBER: 99573150	REV A
DATE 7-JAN-2002	SHEET 12 OF 17	



DIGITAL REVERB  
VIA RIBBON CABLE

EFF  
SELECT

FBK  
MODE SELECT

EFF  
STORE

EFF  
CLIP

EFF  
STORE

FBK  
ACTIVE

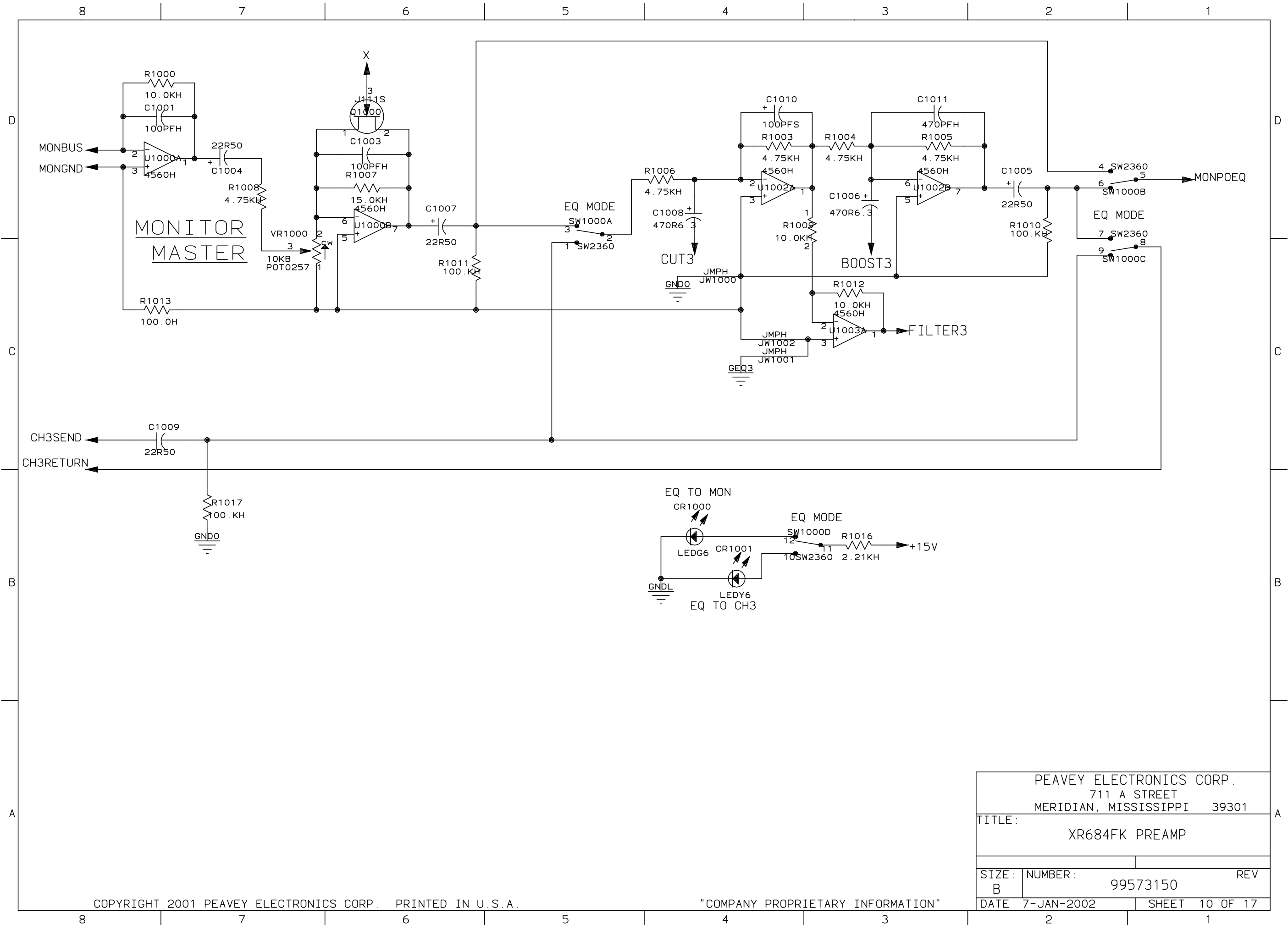
GPI00=EFF DEFEAT  
GPI01=EFF STORE SW  
GPI02=FBK MODE SW

EGPIO0=EFF SELECT BIT 0  
EGPIO1=EFF SELECT BIT 1  
EGPIO2=EFF SELECT BIT 2  
EGPIO3=EFF SELECT BIT 3  
EGPIO4=EFF CLIP LED  
EGPIO5=EFF STORE LED  
EGPIO6=FBK MODE LED

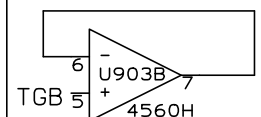
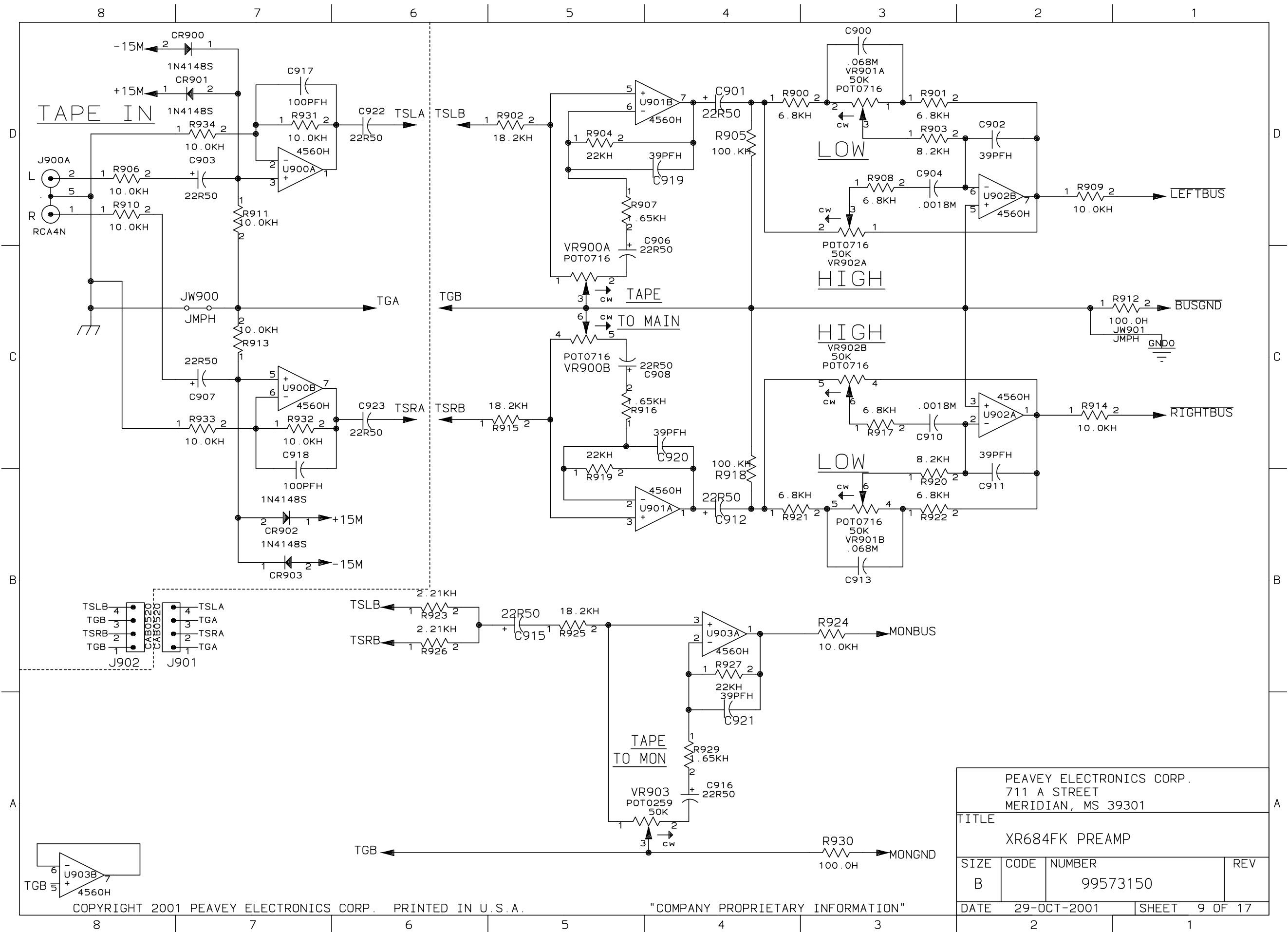
J1100	
FDBK1IN-	40
FDBK2IN-	38
FXIN-	36
AGND	34
FDBKOUT1	32
FXLOUT	30
+15V	28
RVBPWR	26
RVBGN	24
+5V	22
POT1IN	20
GPI00	18
GPI02	16
EGPIO1	14
EGPIO3	12
EGPIO5	10
N/C	8
N/C	6
N/C	4
N/C	2
FDBK1IN+	39
FDBK2IN+	37
FXIN+	35
AGND	33
FDBKOUT2	31
FXROUT	29
-15V	27
RVBGN	25
+3.3V	23
DGND	21
POT2IN	19
GPI01	17
EGPIO0	15
EGPIO2	13
EGPIO4	11
EGPIO6	9
N/C	7
N/C	5
N/C	3
N/C	1

"COMPANY PROPRIETARY INFORMATION"	
PEAVEY ELECTRONICS CORP. 711 A STREET MERIDIAN, MISSISSIPPI 39301	
TITLE: XR 684FK PREAMP	
SIZE: B	NUMBER: 99573150
DATE: 15-JAN-2002	SHEET: 11 OF 17





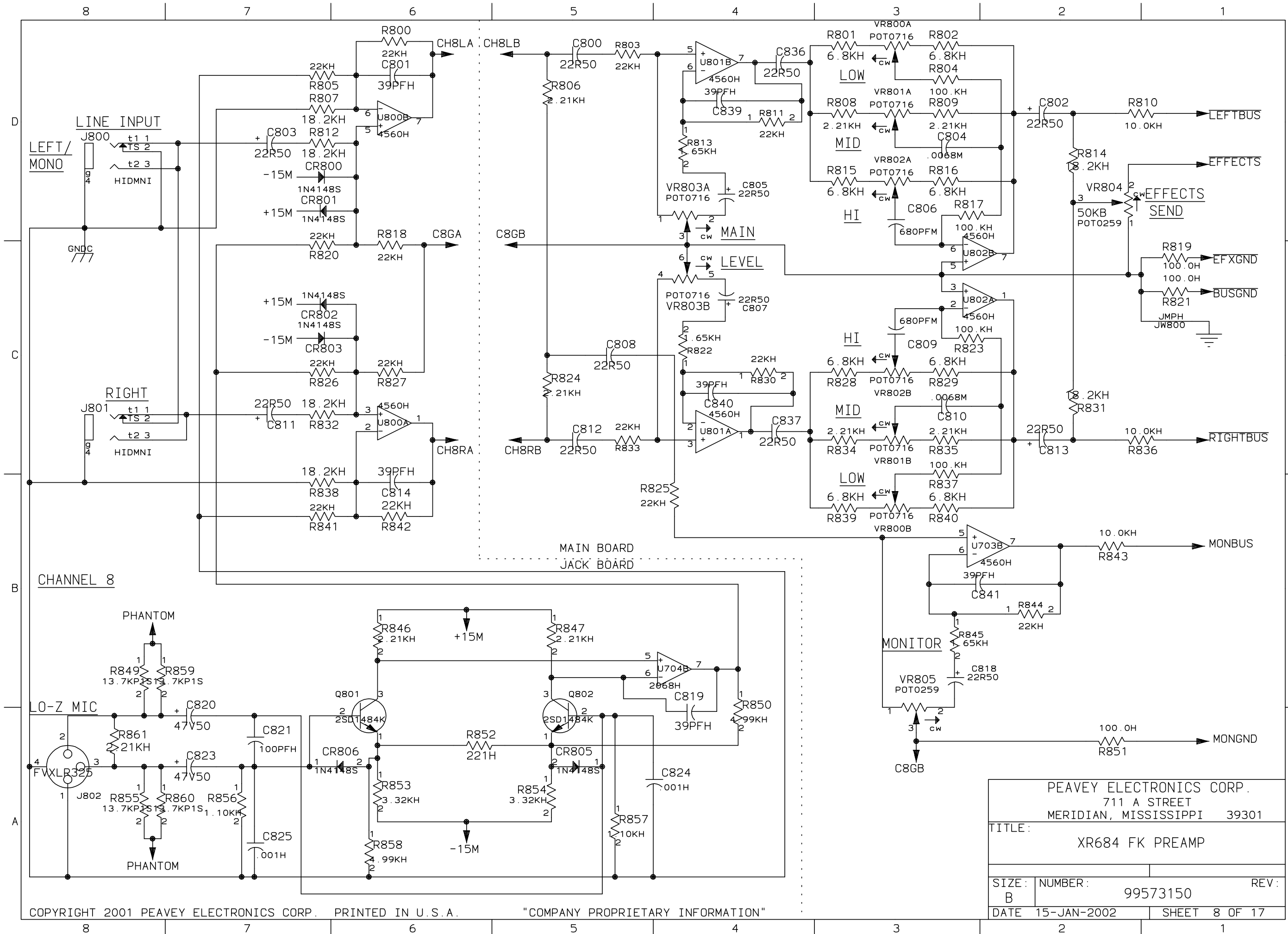
PEAVEY ELECTRONICS CORP. 711 A STREET MERIDIAN, MISSISSIPPI 39301		
TITLE: XR684FK PREAMP		
SIZE: B	NUMBER: 99573150	REV
DATE 7-JAN-2002	SHEET 10 OF 17	



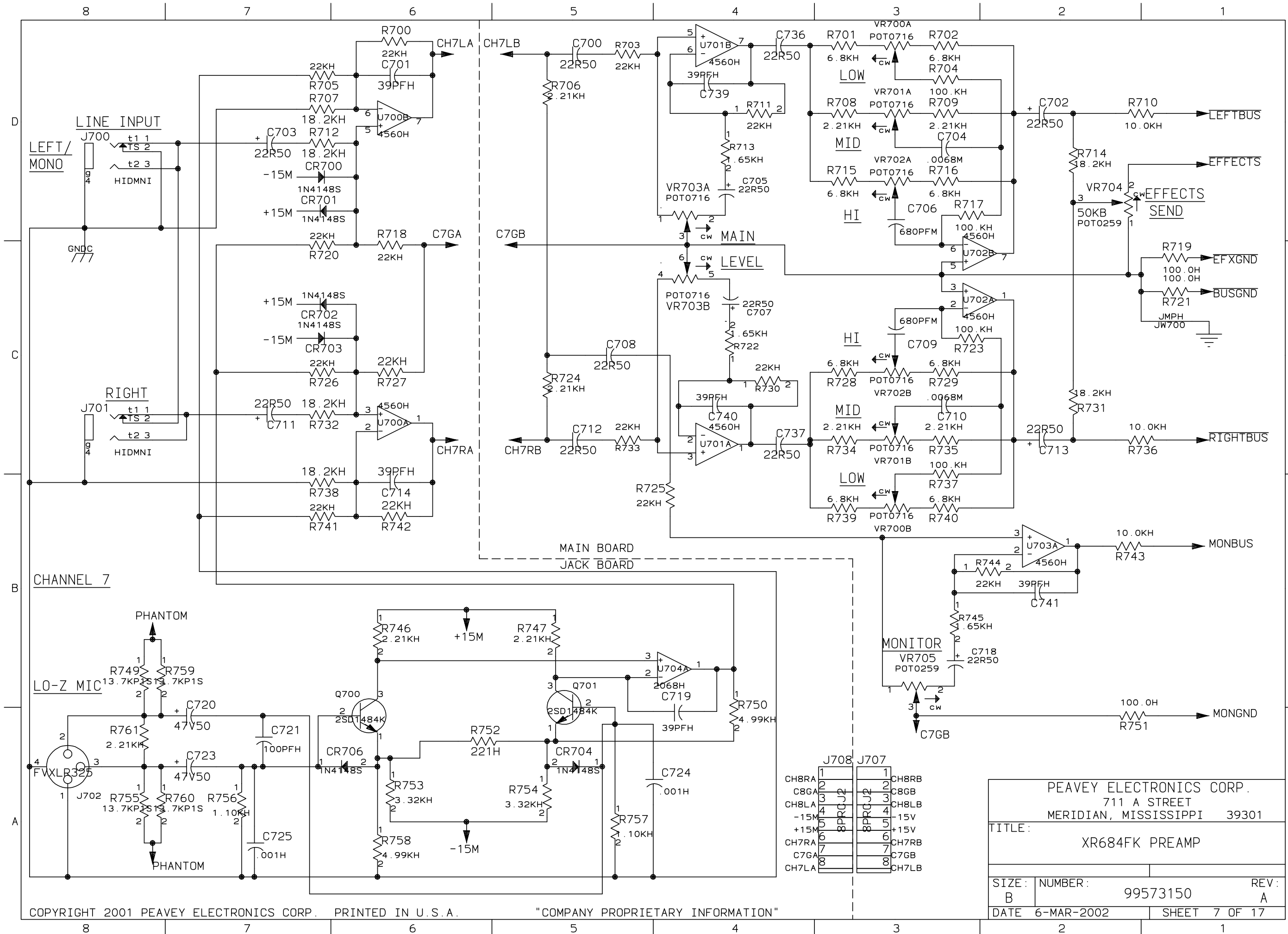
COPYRIGHT 2001 PEAVEY ELECTRONICS CORP. PRINTED IN U.S.A.

"COMPANY PROPRIETARY INFORMATION"

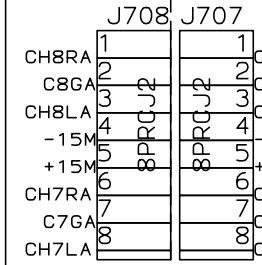
PEAVEY ELECTRONICS CORP. 711 A STREET MERIDIAN, MS 39301			
TITLE XR684FK PREAMP			
SIZE B	CODE	NUMBER 99573150	REV
DATE 29-OCT-2001	SHEET 9 OF 17		

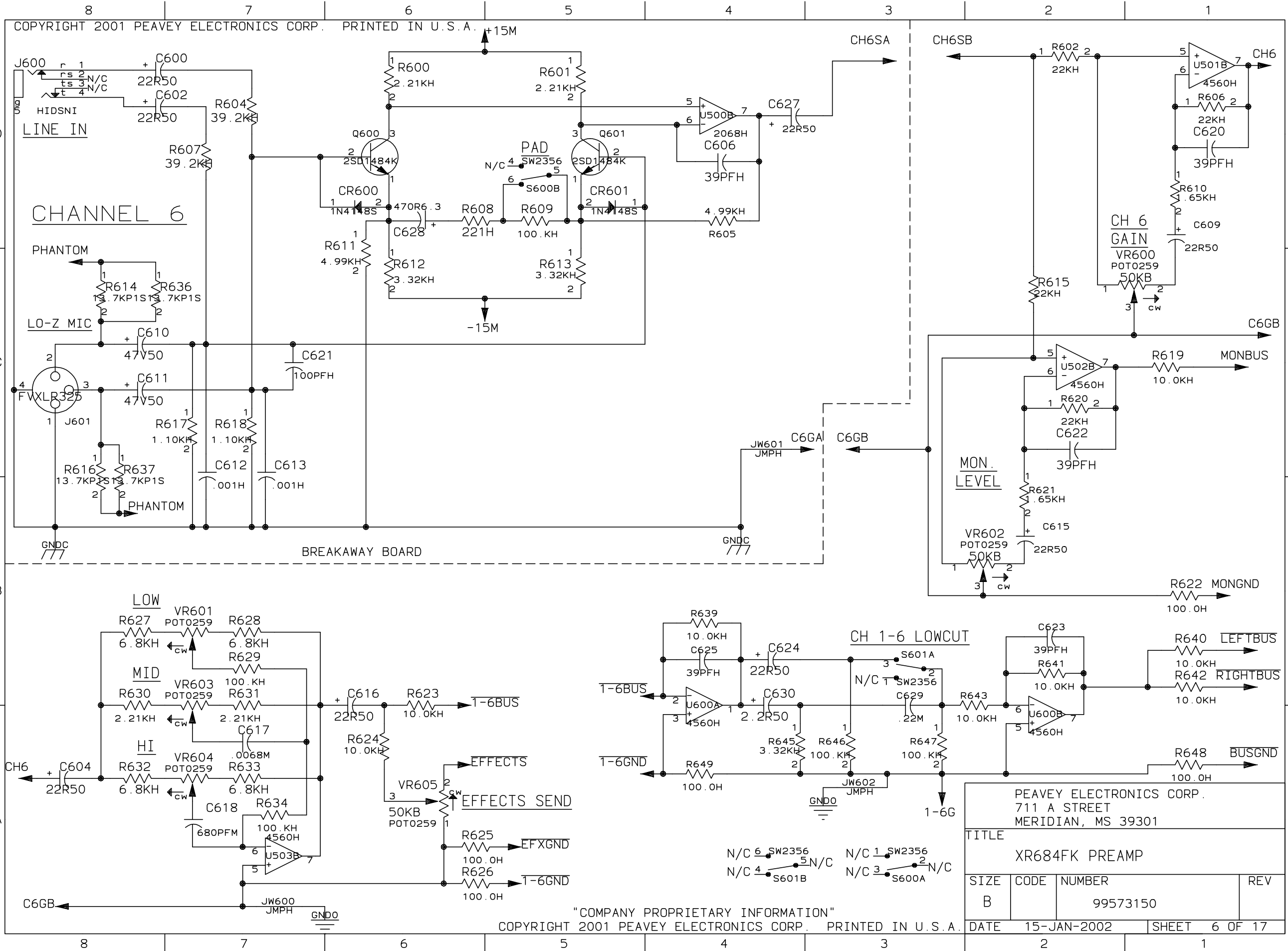


PEAVEY ELECTRONICS CORP. 711 A STREET MERIDIAN, MISSISSIPPI 39301		
TITLE: XR684 FK PREAMP		
SIZE: B	NUMBER: 99573150	REV:
DATE: 15-JAN-2002	SHEET 8 OF 17	



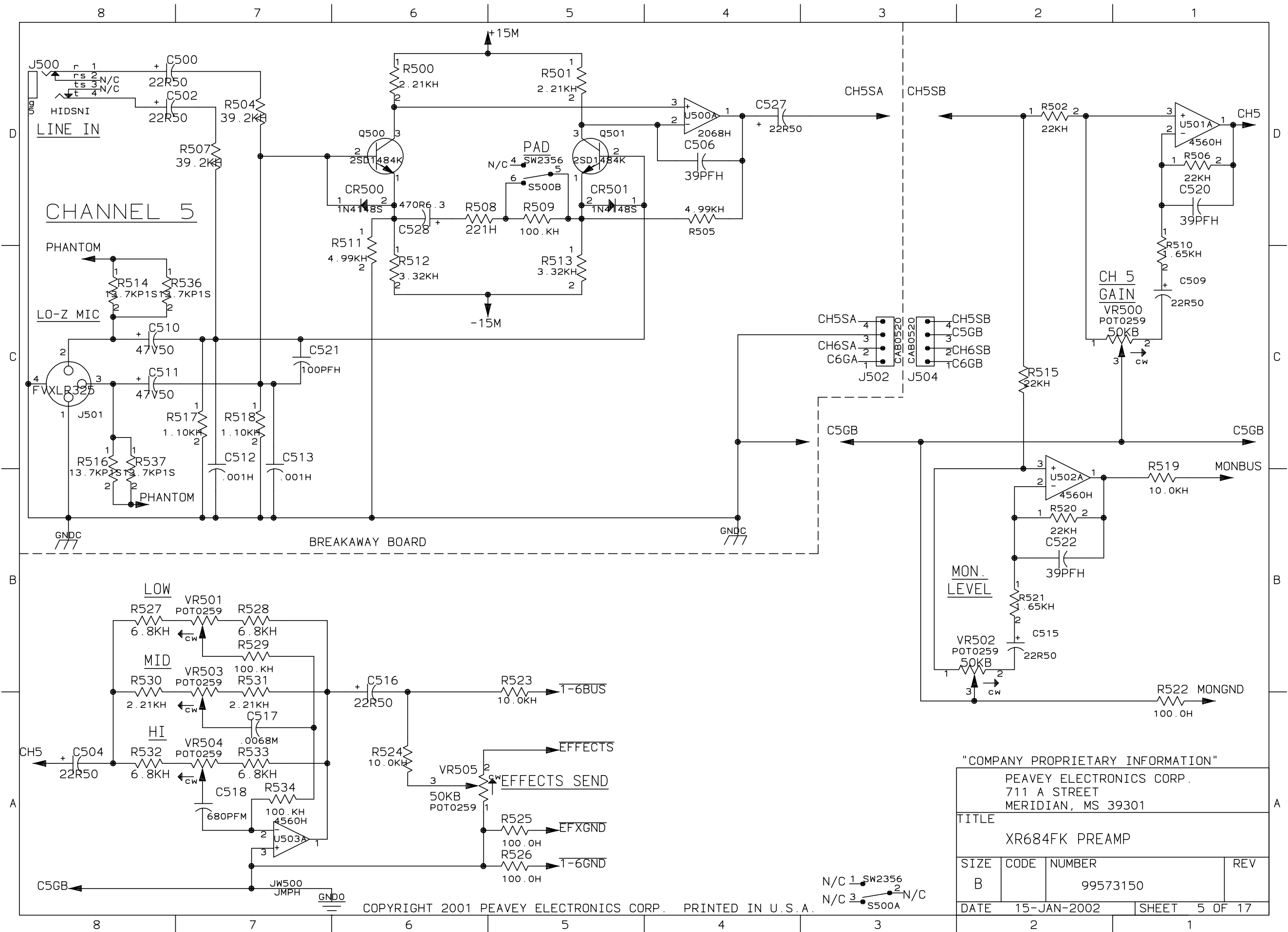
PEAVEY ELECTRONICS CORP. 711 A STREET MERIDIAN, MISSISSIPPI 39301		
TITLE: XR684FK PREAMP		
SIZE: B	NUMBER: 99573150	REV: A
DATE: 6-MAR-2002	SHEET 7 OF 17	





"COMPANY PROPRIETARY INFORMATION"  
 COPYRIGHT 2001 PEAVEY ELECTRONICS CORP. PRINTED IN U.S.A.

PEAVEY ELECTRONICS CORP. 711 A STREET MERIDIAN, MS 39301			
TITLE XR684FK PREAMP			
SIZE	CODE	NUMBER	REV
B		99573150	
DATE	15-JAN-2002	SHEET	6 OF 17



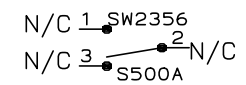
"COMPANY PROPRIETARY INFORMATION"

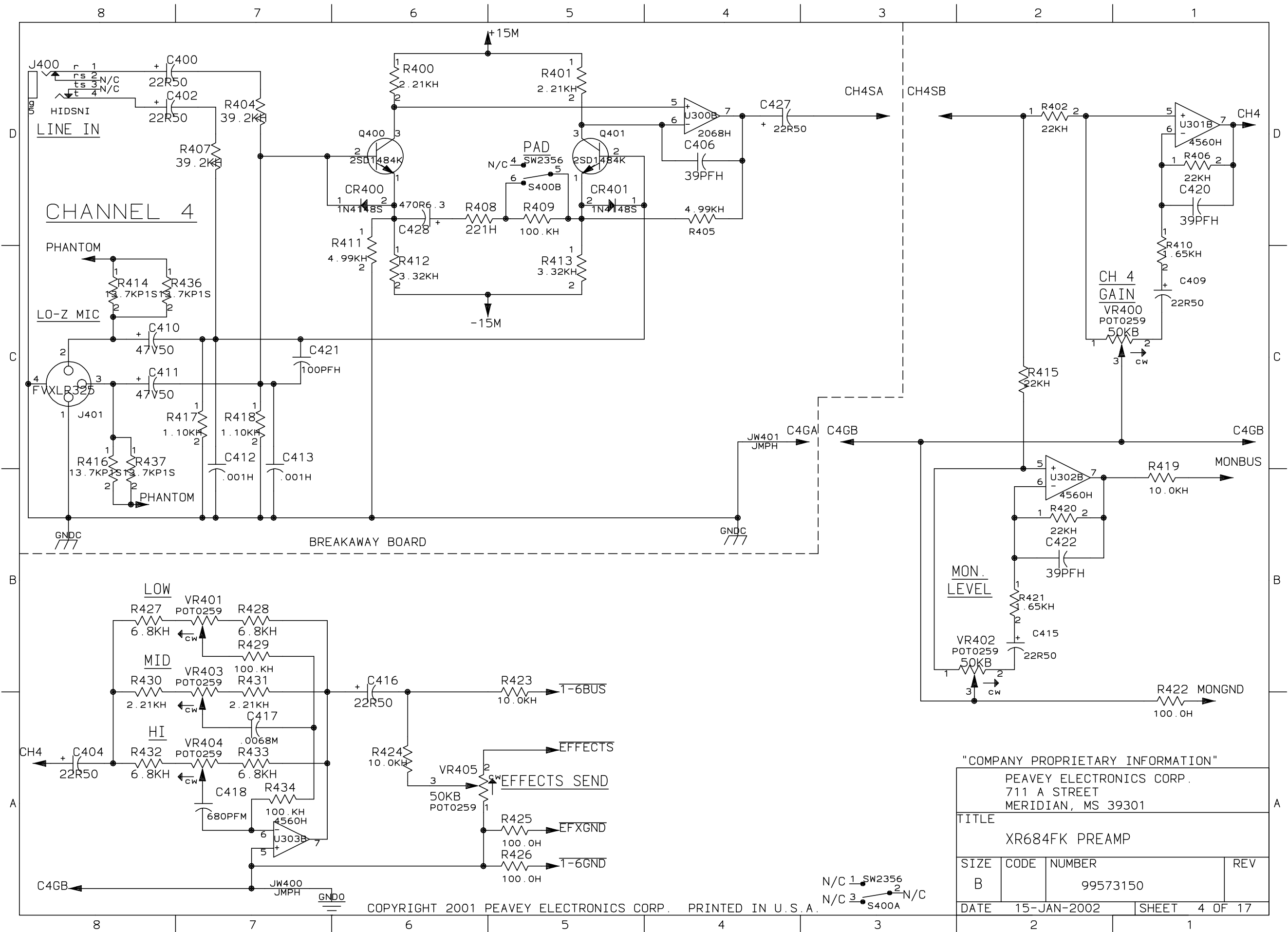
PEAVEY ELECTRONICS CORP.  
711 A STREET  
MERIDIAN, MS 39301

TITLE  
XR684FK PREAMP

SIZE	CODE	NUMBER	REV
B		99573150	

DATE	15-JAN-2002	SHEET	5 OF 17
------	-------------	-------	---------





COPYRIGHT 2001 PEAVEY ELECTRONICS CORP. PRINTED IN U.S.A.

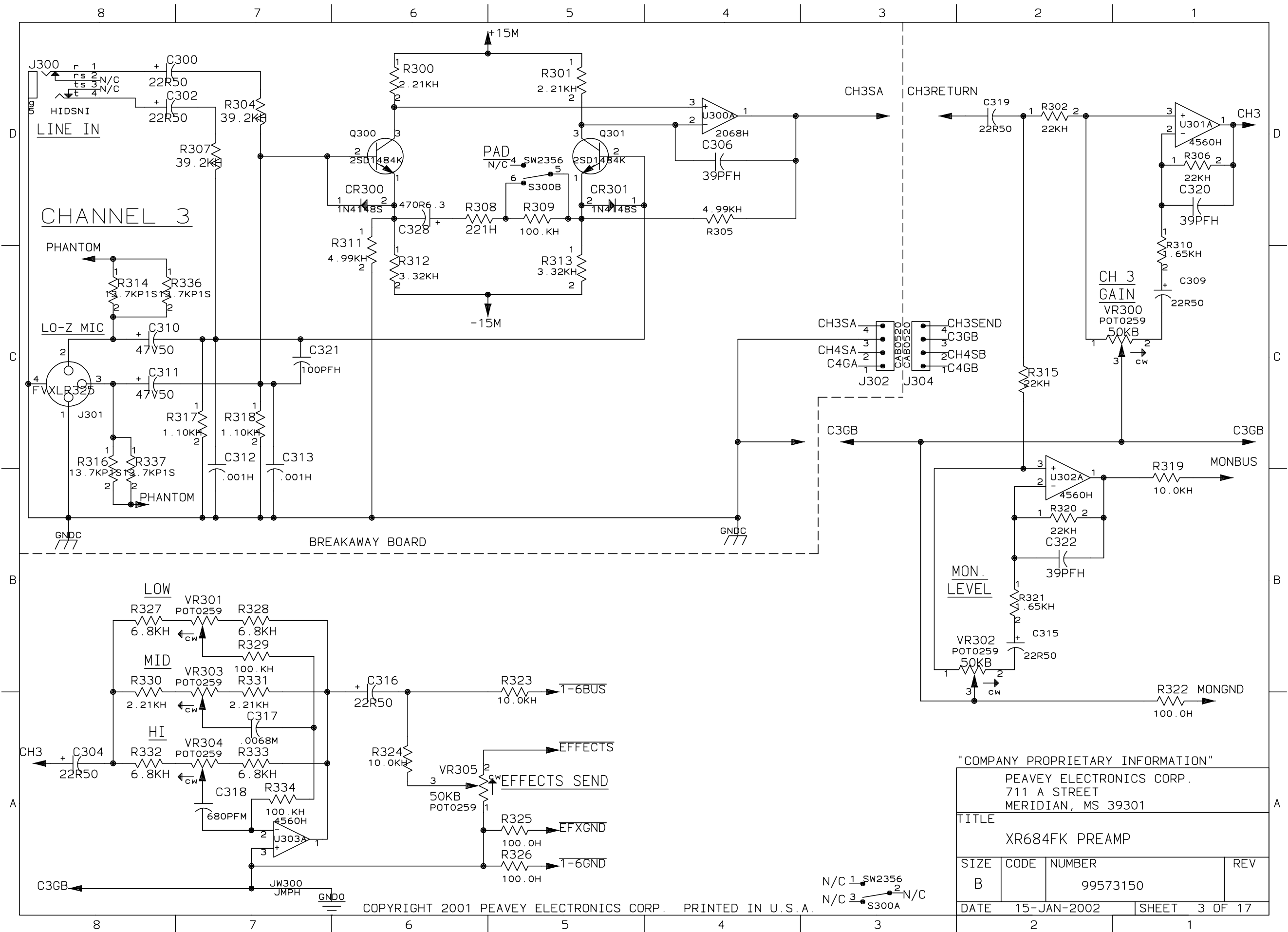
"COMPANY PROPRIETARY INFORMATION"

PEAVEY ELECTRONICS CORP.  
711 A STREET  
MERIDIAN, MS 39301

TITLE  
XR684FK PREAMP

SIZE	CODE	NUMBER	REV
B		99573150	

DATE 15-JAN-2002 SHEET 4 OF 17



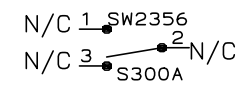
"COMPANY PROPRIETARY INFORMATION"

PEAVEY ELECTRONICS CORP.  
711 A STREET  
MERIDIAN, MS 39301

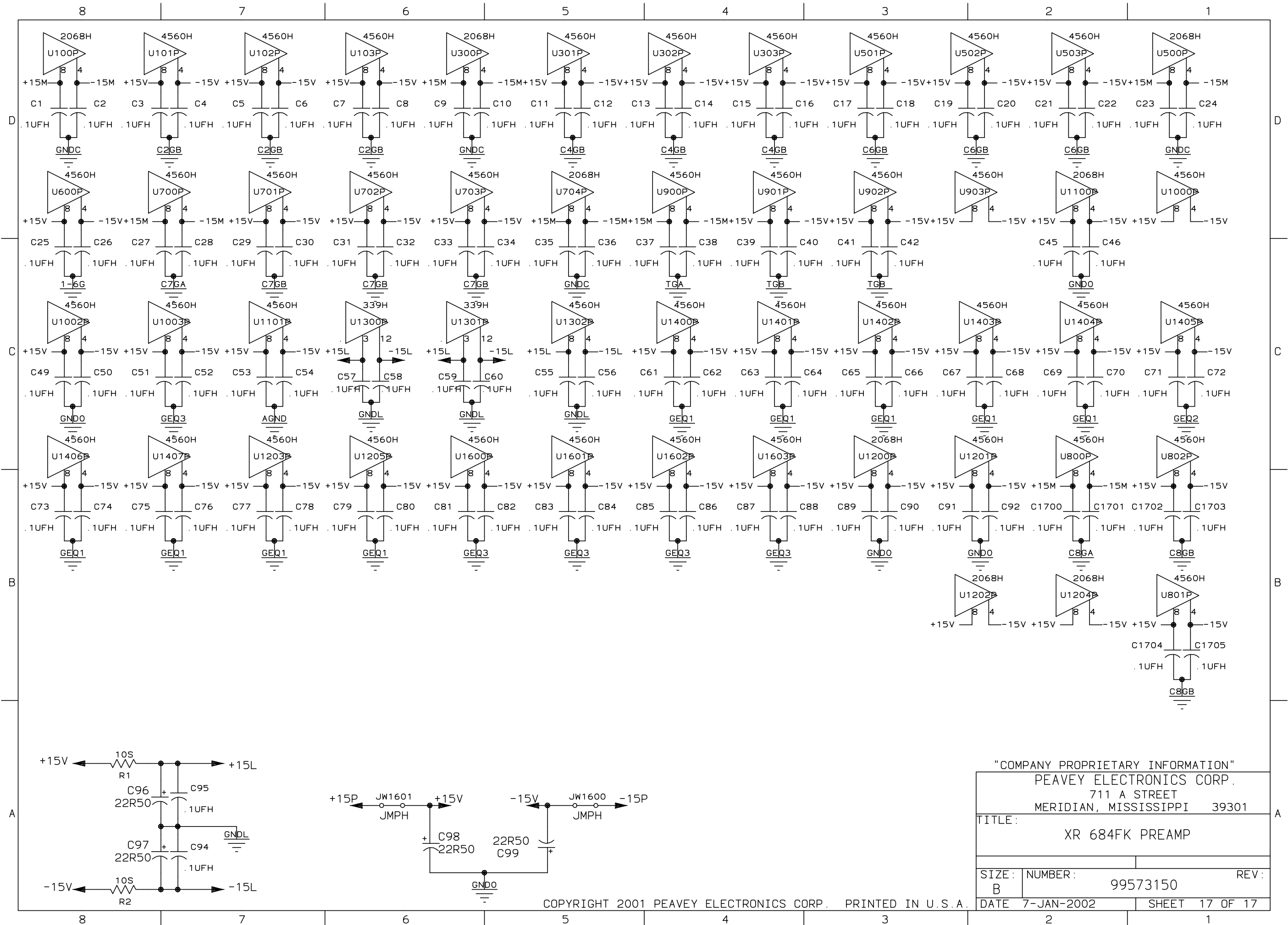
TITLE  
XR684FK PREAMP

SIZE	CODE	NUMBER	REV
B		99573150	

DATE	15-JAN-2002	SHEET	3 OF 17
------	-------------	-------	---------





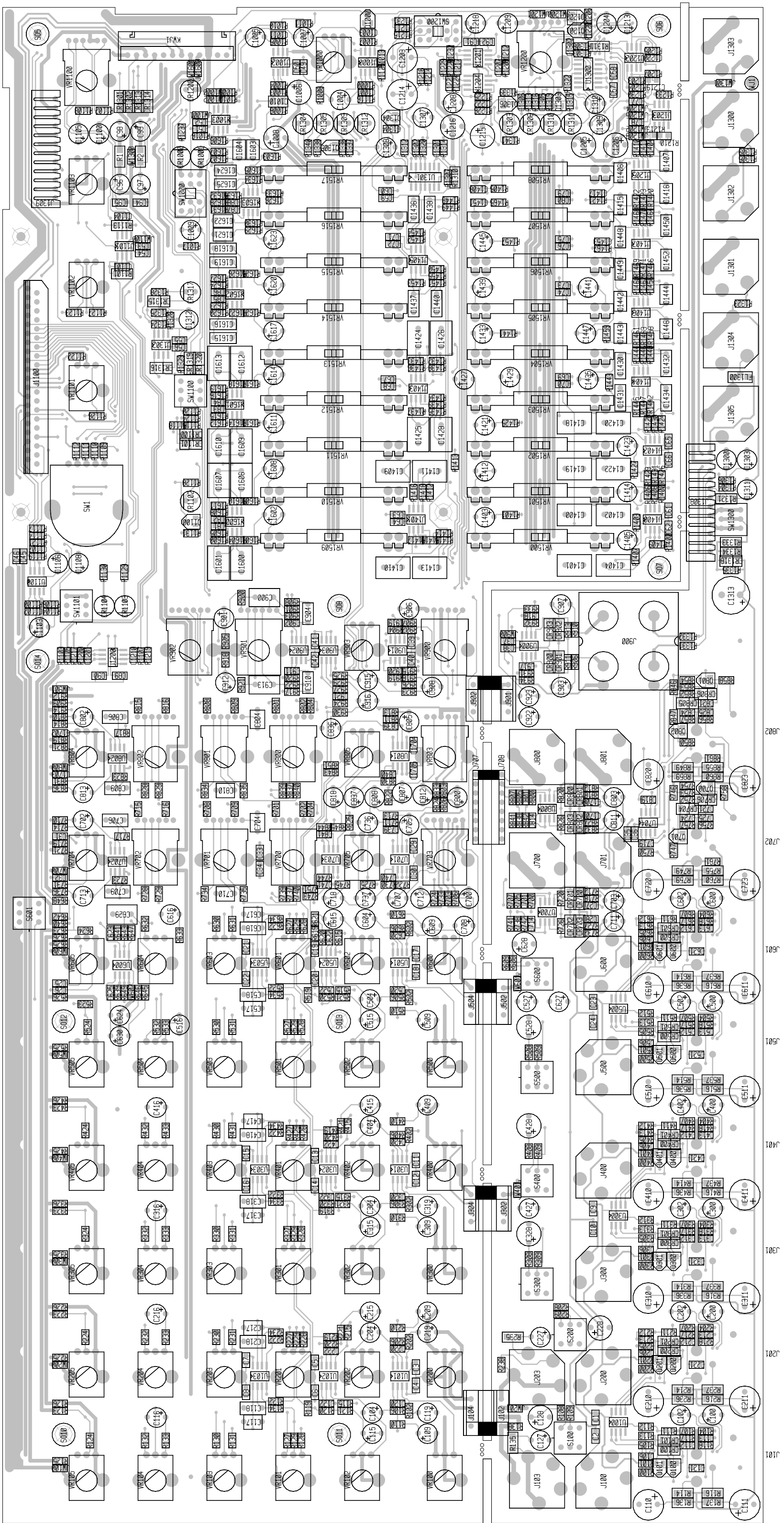


"COMPANY PROPRIETARY INFORMATION"

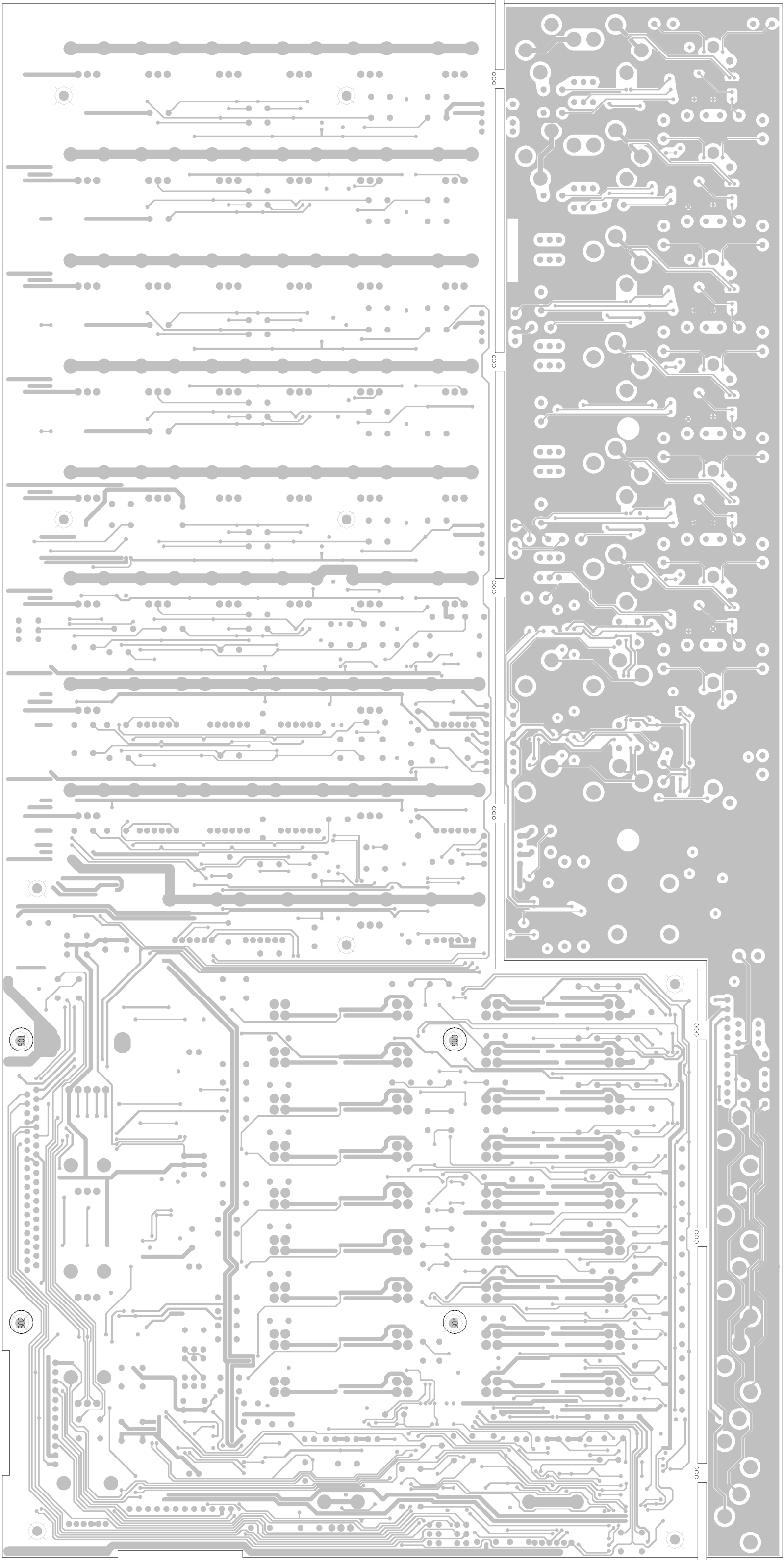
PEAVEY ELECTRONICS CORP.  
711 A STREET  
MERIDIAN, MISSISSIPPI 39301

TITLE: XR 684FK PREAMP

SIZE: B	NUMBER: 99573150	REV: REV:
DATE: 7-JAN-2002	SHEET 17 OF 17	



XR684 PREAMP - PRIMARY



XR684F PREAMP - SECONDARY

BILL OF MATERIALS REPORT

BOARD NAME: 684FKPRE REPORT DATE: 11MAR02  
 ASSEMBLY LEVEL NUMBER: 99573150  
 PROJECT NUMBER: P0100123

CBDS  
 PART PART DESCRIPTION AND

\*\* QTY. NAME VALUE NUMBER DEVICE DESIGNATIONS \*\*\*\*\*  
 \*\*\*\*\*

1 72100740 72100740 72100740 PCB

12 .0015M .0015M 70330120 .0015M 5% 50vdc my T&A

C1406, C1407, C1415, C1416, C1442,  
 C1443, C1444, C1446, C1603, C1604,  
 C1621, C1622

8 .0018M .0018M 70330127 .0018M 5% 50vdc my T&A

C904, C910, C1448, C1449, C1450, C1452,  
 C1624, C1625

16 .001H .001 70300091 .001MF--NPO--50V--5%--805--SMT

C112, C113, C212, C213, C312, C313,  
 C412, C413, C512, C513, C612, C613,  
 C724, C725, C824, C825

10 .0068M .0068M 70330117 .0068mf---5%---50vdc---my---t&a

C117, C217, C317, C417, C517, C617,  
 C704, C710, C804, C810

12 .01M .01M 70330155 .01MF-5%-50VDC-MY-T&A

C1430, C1431, C1432, C1434, C1436,  
 C1437, C1438, C1440, C1615, C1616,  
 C1618, C1619

2 .068M .068M 70330124 .068M 5% 50vdc my T&A

C900, C913

24 .1M .1M 70330129 .1M 5% 50vdc my T&A

C1400, C1401, C1402, C1404, C1409,  
 C1410, C1411, C1413, C1418, C1419,  
 C1420, C1422, C1424, C1425, C1426,  
 C1428, C1600, C1601, C1606, C1607,  
 C1609, C1610, C1612, C1613

6 .1UF5H .1UF5 70300121 .1UF--50V--5%--X7R--0805--SMT

C1408, C1417, C1451, C1453, C1605, C1626

101 .1UFH .1UF 70300085 .1MF--Z5U--50V--20%--SMT--805

C1, C2, C3, C4, C5, C6, C7, C8, C9, C10,  
 C11, C12, C13, C14, C15, C16, C17, C18,  
 C19, C20, C21, C22, C23, C24, C25, C26,  
 C27, C28, C29, C30, C31, C32, C33, C34,  
 C35, C36, C37, C38, C39, C40, C41, C42,  
 C45, C46, C49, C50, C51, C52, C53, C54,  
 C55, C56, C57, C58, C59, C60, C61, C62,  
 C63, C64, C65, C66, C67, C68, C69, C70,  
 C71, C72, C73, C74, C75, C76, C77, C78,

C79, C80, C81, C82, C83, C84, C85, C86,  
C87, C88, C89, C90, C91, C92, C94, C95,  
C1301, C1302, C1304, C1305, C1306,  
C1700, C1701, C1702, C1703, C1704, C1705

- 1 .22M .22M 70330128 .22M 5% 50vdc my T&A  
C629
- 4 1.00KH 1.00K 70200188 1.00K OHM 1/10W 1% 805 SMT  
R1214, R1216, R1304, R1306
- 17 1.10KH 1.10K 70200175 1.1K--1/10W--1%--SMT--805  
R117, R118, R217, R218, R317, R318,  
R417, R418, R517, R518, R617, R618,  
R756, R757, R856, R857, R1325
- 3 1.37KH 1.37K 70200189 1.37K--1/10W--1%--SMT--0805  
R1438, R1439, R1619
- 27 1.47KH 1.47K 70200201 1.47K OHM 1/10W 1% 805 SMT  
R1401, R1403, R1405, R1413, R1415,  
R1421, R1425, R1427, R1433, R1435,  
R1441, R1443, R1449, R1451, R1457,  
R1459, R1465, R1467, R1601, R1603,  
R1609, R1613, R1617, R1621, R1625,  
R1629, R1633
- 21 1.65KH 1.65K 70200191 1.65K--1/8W--1%--SMT--0805  
R110, R121, R210, R221, R310, R321,  
R410, R421, R510, R521, R610, R621,  
R713, R722, R745, R813, R822, R845,  
R907, R916, R929
- 81 10.0KH 10.0K 70200174 10K--1/10W--1%--SMT--805  
R119, R123, R124, R219, R223, R224,  
R319, R323, R324, R419, R423, R424,  
R519, R523, R524, R619, R623, R624,  
R639, R640, R641, R642, R643, R710,  
R736, R743, R810, R836, R843, R906,  
R909, R910, R911, R913, R914, R924,  
R931, R932, R933, R934, R1000, R1009,  
R1012, R1100, R1103, R1107, R1109,  
R1110, R1111, R1112, R1115, R1116,  
R1120, R1121, R1124, R1131, R1200,  
R1210, R1213, R1219, R1230, R1233,  
R1319, R1331, R1332, R1335, R1404,  
R1408, R1409, R1420, R1424, R1426,  
R1436, R1437, R1462, R1463, R1602,  
R1605, R1612, R1618, R1631
- 34 100.0H 100.0 70200181 100--1/10W--1%--0805--SMT  
R122, R125, R126, R222, R225, R226,  
R322, R325, R326, R422, R425, R426,  
R522, R525, R526, R622, R625, R626,  
R648, R649, R719, R721, R751, R819,  
R821, R851, R912, R930, R1013, R1105,  
R1106, R1125, R1314, R1315
- 35 100.KH 100.K 70200194 100K OHM 1/10W 1% 805 SMT

R109, R129, R134, R138, R209, R229,  
R234, R238, R309, R329, R334, R409,  
R429, R434, R509, R529, R534, R609,  
R629, R634, R646, R647, R704, R717,  
R723, R737, R804, R817, R823, R837,  
R905, R918, R1010, R1011, R1017

16 100PFH 100PF 70300088 100PF--NPO--50V--5%--SMT--805

C121, C221, C321, C421, C521, C621,  
C721, C821, C917, C918, C1001, C1003,  
C1201, C1210, C1219, C1221

1 100PFS 100PF 70300044 100PF COG 50V 5% SMT 1206

C1010

3 100S 100 70200060 100---1/8w--1%---smt

R135, R235, R1321

2 10S 10 70200011 10----1/8w--5%---smt

R1, R2

3 11.8KH 11.8K 70200193 11.8K--1/10W--1%--SMT--0805

R1448, R1450, R1624

32 13.7KP1S 13.7KP1 70200106 13.7K 1/8W--1%---SMT 1206

R114, R116, R136, R137, R214, R216,  
R236, R237, R314, R316, R336, R337,  
R414, R416, R436, R437, R514, R516,  
R536, R537, R614, R616, R636, R637,  
R749, R755, R759, R760, R849, R855,  
R859, R860

4 15.0KH 15.0K 70200254 15.0K--1/10W--1%--SMT--0805

R1007, R1464, R1466, R1632

9 15MSOW 70901837 70901837 SPACER, 15mm-r(#4) .187 swage alum.

SO5, SO6, SO7, SO8, SO10, SO11, SO12,  
SO13, SO14

15 18.2KH 18.2K 70200266 18.2K OHM--1/10W--1%--SMT--0805

R707, R712, R714, R731, R732, R738,  
R807, R812, R814, R831, R832, R838,  
R902, R915, R925

39 1N4148S 4148 70418026 1N4148 (LL34) DIODE SMT

CR100, CR101, CR200, CR201, CR300,  
CR301, CR400, CR401, CR500, CR501,  
CR600, CR601, CR700, CR701, CR702,  
CR703, CR704, CR706, CR800, CR801,  
CR802, CR803, CR805, CR806, CR900,  
CR901, CR902, CR903, CR1100, CR1101,  
CR1301, CR1302, CR1313, CR1314, CR1315,  
CR1316, CR1318, CR1319, CR1320

1 1R50 1R50 70320261 1MF 20% 50 VDC EL T&A

C1312

49 2.21KH 2.21K 70200267 2.21K--1/10W--1%--SMT--0805  
R100, R101, R130, R131, R200, R201,  
R230, R231, R300, R301, R330, R331,  
R400, R401, R430, R431, R500, R501,  
R530, R531, R600, R601, R630, R631,  
R706, R708, R709, R724, R734, R735,  
R746, R747, R761, R806, R808, R809,  
R824, R834, R835, R846, R847, R861,  
R923, R926, R1016, R1237, R1307, R1308,  
R1328

3 2.2R50 2.2R50 70320180 2.2MF-----20%----50VDC---EL--T&A  
C630, C1308, C1309

3 2.49KH 2.49K 70200203 2.49K OHM 1/10W 1% 805 SMT  
R1430, R1431, R1615

3 2.80KH 2.80K 70200192 2.80K--1/10W--1%--SMT--0805  
R1411, R1423, R1607

9 20.0KH 20.0K 70200167 20K--1/10W--1%--SMT--805  
R1410, R1412, R1414, R1422, R1428,  
R1429, R1606, R1608, R1614

8 2068H 2068 70418150 NJM2068 LOW NOISE DUAL OP AMP-SMT  
U100, U300, U500, U704, U1100, U1200,  
U1202, U1204

2 210KH 210K 70200211 210K--1/8W--1%--SMT--0805  
R1326, R1329

2 22.1KH 22.1K 70200256 22.1K--1/10W--1%--SMT--0805  
R1302, R1303

2 220R16 220R16 70320293 220UF/16V, RAD, T&A  
C1203, C1214

1 220R50 220R50 70320187 220MF-----20%----50VDC---EL--T&A  
C1313

2 220S 220 70200016 220---1/8w--5%---smt  
R1333, R1334

9 221H 221 70200183 221--1/10W--1%--SMT--0805  
R108, R208, R308, R408, R508, R608,  
R752, R852, R1118

67 22KH 22K 70200169 22K--1/10W--5%--SMT--805  
R102, R106, R115, R120, R202, R206,  
R215, R220, R302, R306, R315, R320,  
R402, R406, R415, R420, R502, R506,  
R515, R520, R602, R606, R615, R620,  
R700, R703, R705, R711, R718, R720,  
R725, R726, R727, R730, R733, R741,  
R742, R744, R800, R803, R805, R811,  
R818, R820, R825, R826, R827, R830,

R833, R841, R842, R844, R904, R919,  
R927, R1102, R1108, R1114, R1117, R1206,  
R1222, R1440, R1442, R1452, R1453,  
R1620, R1626

123 22R50 22R50 70320181 22MF-----20%----50VDC---EL--T&A

C96, C97, C98, C99, C100, C102, C104,  
C109, C115, C116, C119, C127, C200,  
C202, C204, C209, C215, C216, C219,  
C227, C300, C302, C304, C309, C315,  
C316, C319, C400, C402, C404, C409,  
C415, C416, C427, C500, C502, C504,  
C509, C515, C516, C527, C600, C602,  
C604, C609, C615, C616, C624, C627,  
C700, C702, C703, C705, C707, C708,  
C711, C712, C713, C718, C736, C737,  
C800, C802, C803, C805, C807, C808,  
C811, C812, C813, C818, C836, C837,  
C901, C903, C906, C907, C908, C912,  
C915, C916, C922, C923, C1004, C1005,  
C1007, C1009, C1100, C1103, C1105,  
C1106, C1108, C1204, C1208, C1209,  
C1213, C1218, C1300, C1303, C1307,  
C1310, C1311, C1403, C1405, C1412,  
C1414, C1421, C1423, C1427, C1429,  
C1433, C1435, C1439, C1441, C1445,  
C1447, C1602, C1608, C1611, C1614,  
C1617, C1620, C1623

1 2412S 2412 70418034 2SC2412 NPN (SOT-23) XSISTOR SMT

Q1100

4 2N6534S 6534 70418033 2N6533/34 PNP (SOT-23) XSISTOR SMT

Q1303, Q1304, Q1305, Q1306

16 2SD1484K 2SD1484K 70411484 2SD1484K NPN SOT23 SMT

Q100, Q101, Q200, Q201, Q300, Q301,  
Q400, Q401, Q500, Q501, Q600, Q601,  
Q700, Q701, Q801, Q802

25 3.32KH 3.32K 70200202 3.32K OHM 1/10W 1% 805 SMT

R112, R113, R212, R213, R312, R313,  
R412, R413, R512, R513, R612, R613,  
R645, R753, R754, R853, R854, R1126,  
R1127, R1316, R1340, R1341, R1454,  
R1455, R1627

6 31.6KH 31.6K 70200257 31.6K--1/10W--1%--SMT--0805

R1119, R1209, R1228, R1468, R1469, R1634

2 339H 339H 70418110 LM339D QUAD COMP IC - SMT SO14

U1300, U1301

4 375SOWST 70901890 70901890 .375 X .187 SUPER-TORQUE THREADED SWAGE SPACER

SO1, SO2, SO3, SO4

21 39.2KH 39.2K 70200259 39.2K--1/10W--1%--SMT--0805

R104, R107, R204, R207, R304, R307,  
R404, R407, R504, R507, R604, R607,



R1400, R1402, R1416, R1417, R1456,  
 R1458, R1600, R1610, R1628

2 392H 392 70200184 392--1/10W--1%--SMT--0805  
 R1129, R1130

43 39PFH 39PF 70300087 39PF--NPO--50V--5%--SMT--805  
 C106, C120, C122, C206, C220, C222,  
 C306, C320, C322, C406, C420, C422,  
 C506, C520, C522, C606, C620, C622,  
 C623, C625, C701, C714, C719, C739,  
 C740, C741, C801, C814, C819, C839,  
 C840, C841, C902, C911, C919, C920,  
 C921, C1101, C1102, C1104, C1107, C1207,  
 C1217

18 4.75KH 4.75K 70200251 4.75K--1/10W--1%--SMT--0805  
 R1003, R1004, R1005, R1006, R1008,  
 R1122, R1123, R1203, R1204, R1205,  
 R1207, R1224, R1225, R1226, R1229,  
 R1432, R1434, R1616

16 4.99KH 4.99K 70200173 4.99K--1/10W--1%--SMT--805  
 R105, R111, R205, R211, R305, R311,  
 R405, R411, R505, R511, R605, R611,  
 R750, R758, R850, R858

41 4560H 4560 70418053 4560 DL OP AMP SOIC-8  
 U101, U102, U103, U301, U302, U303,  
 U501, U502, U503, U600, U700, U701,  
 U702, U703, U800, U801, U802, U900,  
 U901, U902, U903, U1000, U1002, U1003,  
 U1101, U1201, U1203, U1205, U1302,  
 U1400, U1401, U1402, U1403, U1404,  
 U1405, U1406, U1407, U1600, U1601,  
 U1602, U1603

14 47.5KH 47.5K 70200205 47.5K OHM 1/10W 1% 805 SMT  
 R1104, R1211, R1215, R1231, R1305,  
 R1309, R1320, R1322, R1323, R1337,  
 R1339, R1444, R1445, R1622

3 470PFH 470PF 70300090 470PF--NPO--50V--5%--SMT--805  
 C1011, C1220, C1222

12 470R6.3 470R6.3 70320183 470MF-----20%----6.3VDC--EL--T&A  
 C128, C228, C328, C428, C528, C628,  
 C1006, C1008, C1205, C1206, C1215, C1216

16 47V50 47V50 70320182 47MF-----20%----50VDC---LL--T&A  
 C110, C111, C210, C211, C310, C311,  
 C410, C411, C510, C511, C610, C611,  
 C720, C723, C820, C823

6 5.11KH 5.11K 70200276 5.11K--1/10--1%--0805--SMT  
 R1418, R1419, R1470, R1471, R1611, R1635

1 51.1H 51.1 70200179 51.1 OHM 1/10W 1% 805 SMT

R1217

2 590H 590 70200185 590--1/10W--1%--SMT--0805

R1312, R1313

53 6.8KH 6.8K 70200166 6.8K--1/10W--5%--SMT--805

R127, R128, R132, R133, R227, R228,  
R232, R233, R327, R328, R332, R333,  
R427, R428, R432, R433, R527, R528,  
R532, R533, R627, R628, R632, R633,  
R701, R702, R715, R716, R728, R729,  
R739, R740, R801, R802, R815, R816,  
R828, R829, R839, R840, R900, R901,  
R908, R917, R921, R922, R1128, R1324,

R1336, R1338, R1446, R1447, R1623

10 680PFM 680PFM 70330135 680pf 5% 50vdc my T&A

C118, C218, C318, C418, C518, C618,  
C706, C709, C806, C809

2 680S 680 70200085 680---1/8w--1%---smt

R1310, R1311

2 68KS 68K 70200033 68K--1/8W--5%----SMT

R1101, R1113

4 8.2KH 8.2K 70200176 8.2K--1/10W--5%--SMT--805

R903, R920, R1212, R1232

6 80.6KH 80.6K 70200278 80.6K--1/10--1%--0805--SMT

R1406, R1407, R1460, R1461, R1604, R1630

2 8PRCJ2 70600028 70600028 8C PRE-TIN .100 CTR 2.5" JMP (SPLIT VERSION)

J707, J708

1 BISW2316 BISW2316 71322316 BINARY ROTARY SWITCH

SW1

8 CAB0520 CAB0520 70600520 4CRC-.098 CNT2.25" SNAPIN

J102, J104, J302, J304, J502, J504,  
J901, J902

1 EMI102S EMI102S 70418212 PANASONIC EXCCET(SMT) 102U 1000UF EMI NOTCH FILT

FL1300

8 FVXLR325 71466325 71466325 Connector, Female XLR

J101, J201, J301, J401, J501, J601,  
J702, J802

1 HDR0228 70650228 70650228 1.25MM FLAT-FLEX 40-POSITION CONNECTOR

J1100

10 HIDMNI 71466214 71466214 2 TIP HID JACK NINS W/SPD

J700, J701, J800, J801, J1300, J1301,  
J1302, J1303, J1304, J1305

8 HIDSNI 71466217 71466217 STEREO HID JACK NINS W/SPD  
J100, J103, J200, J203, J300, J400,  
J500, J600

3 J111S J111 70418138 J111 N-CH JFET SOT23-SMT  
Q1000, Q1200, Q1201

28 JMPH JMP 70200164 SURFACE MOUNT JUMPER 805  
JW100, JW200, JW201, JW300, JW400,  
JW401, JW500, JW600, JW601, JW602,  
JW700, JW800, JW900, JW901, JW1000,  
JW1001, JW1002, JW1100, JW1200, JW1201,  
JW1202, JW1203, JW1204, JW1205, JW1300,  
JW1301, JW1600, JW1601

1 KRTCON12 73711820 73711820 12-SHRD-RA-HDR-2.5MM KWANASIA  
KWJI

1 LEDB6 LEDB6 70450070 LED, T-1, BLUE, W/.500" SPCR - T&A  
CR1102

6 LEDG6 LEDG6 70450051 LED, T-1, GRN, W/.500" SPCR - T&A  
CR1000, CR1200, CR1309, CR1310, CR1311,  
CR1312

3 LEDR6 LEDR6 70450050 LED, T-1, RED, W/.500" SPCR - T&A  
CR1103, CR1303, CR1304

5 LEDY6 LEDY6 70450052 LED, T-1, YEL, W/.500" SPCR - T&A  
CR1001, CR1104, CR1305, CR1306, CR1317

1 POT0257 71190257 71190257 10KB - STD - 9MM - W/DTT  
VR1000

2 POT0258 71190258 71190258 10K - STD - 9MM  
VR1101, VR1102

42 POT0259 71190259 71190259 50KB - STD - 9MM - W/DTT  
VR100, VR101, VR102, VR103, VR104,  
VR105, VR200, VR201, VR202, VR203,  
VR204, VR205, VR300, VR301, VR302,  
VR303, VR304, VR305, VR400, VR401,  
VR402, VR403, VR404, VR405, VR500,  
VR501, VR502, VR503, VR504, VR505,  
VR600, VR601, VR602, VR603, VR604,  
VR605, VR704, VR705, VR804, VR805,  
VR903, VR1103

13 POT0716 POT0716 71190716 50KBX2 DUAL 12MM ROT POT W/DTT  
VR700, VR701, VR702, VR703, VR800,  
VR801, VR802, VR803, VR900, VR901,  
VR902, VR1100, VR1200

1 RCA4N RCA4N 71466272 QUAD NICKEL RCA PHONO 24MM  
J900

2 RT12CONN 73717193 73717193 12--RA--WIRE TO PCB HDR

J1308, J1309

18 SPOT0459 71190459 71190459 DUAL 50K 20MM W TAPER W/DTT AND TAP

VR1500, VR1501, VR1502, VR1503, VR1504,  
VR1505, VR1506, VR1507, VR1508, VR1509,  
VR1510, VR1511, VR1512, VR1513, VR1514,  
VR1515, VR1516, VR1517

8 SW2356 71322356 71322356 DPDT PUSH BUTTON SW 2.8MM SQ SHAFT

S100, S200, S300, S400, S500, S600,  
S601, SW1300

2 SW2360 SW2360 71322360 4PDT PUCH BUTTON SW, 2.8MM SHAFT

SW1000, SW1200

2 SW2361 71322361 71322361 DPDT MOM PUSH BUTTON SW 2.8MM SQ SHAFT

SW1100, SW1101

1 WJX WJX XXXXXXXX XXXXXXXX

WJ1

\*\*\*\*\*  
\* END OF BILL OF MATERIALS REPORT \*  
\*\*\*\*\*