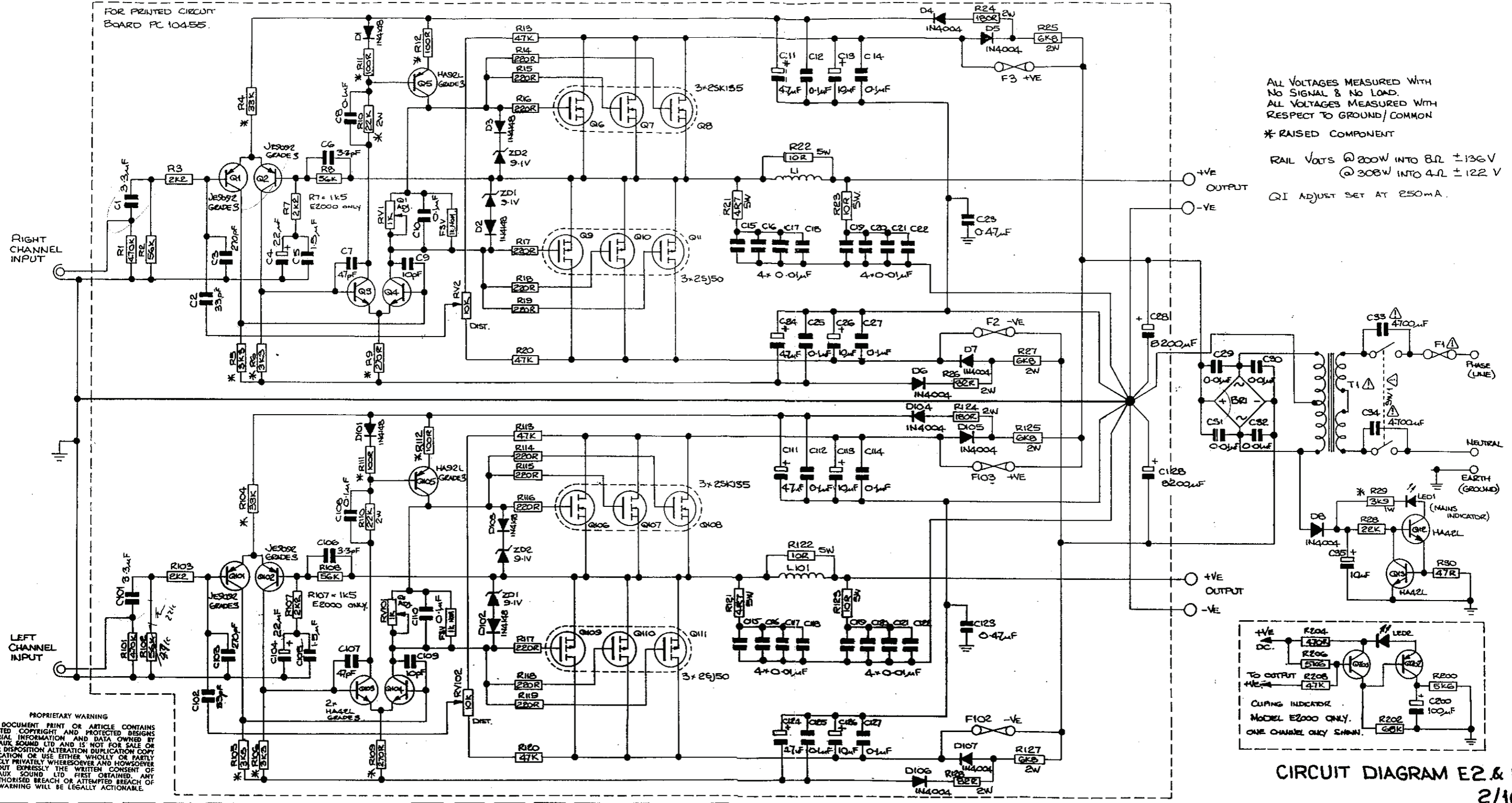
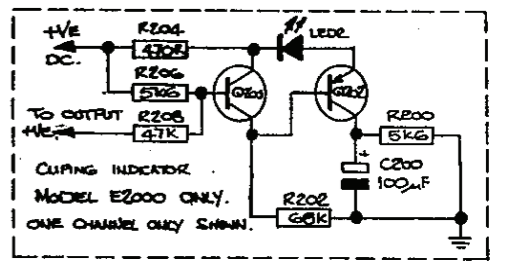


FOR PRINTED CIRCUIT BOARD PC 10465.

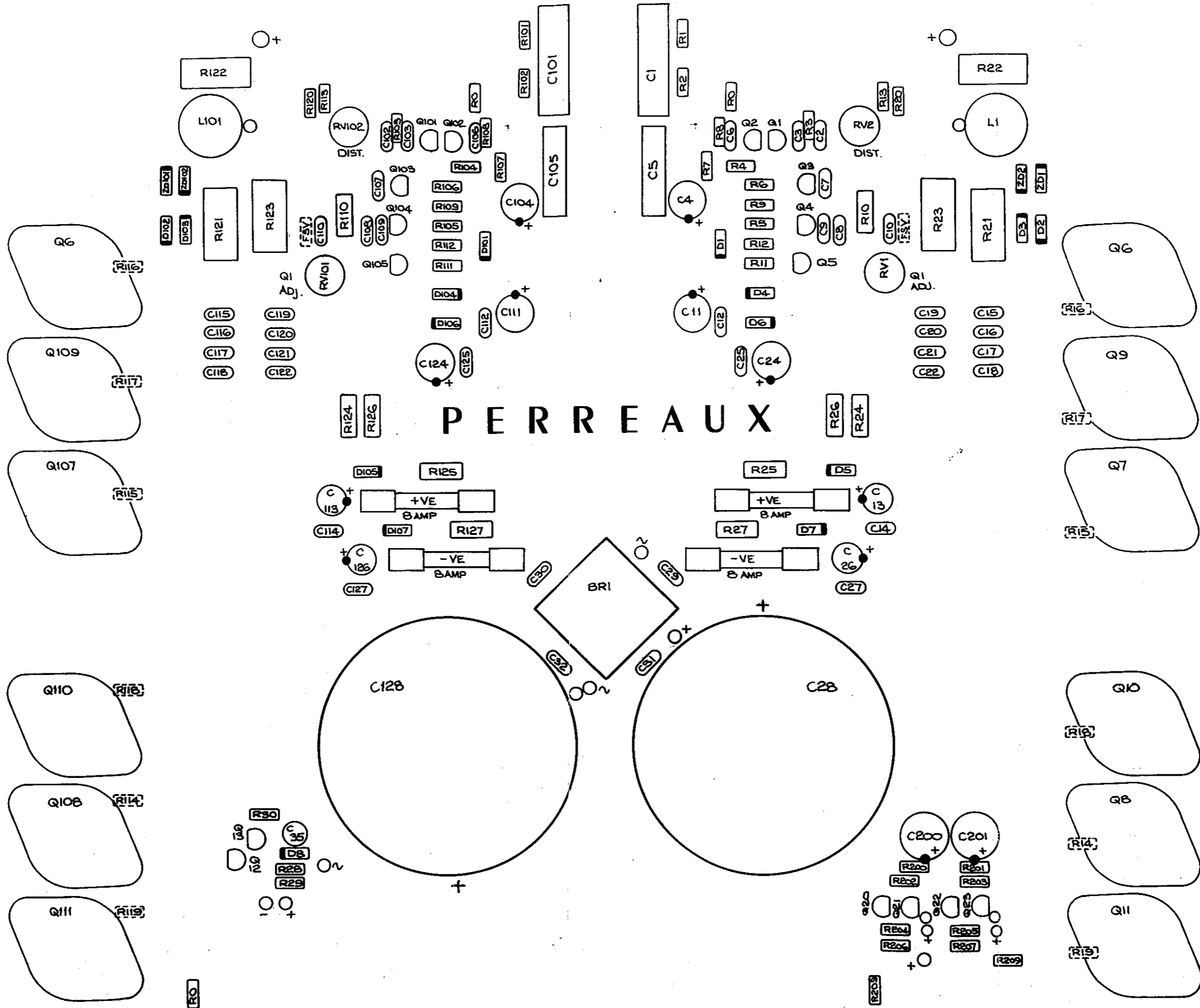


ALL VOLTAGES MEASURED WITH NO SIGNAL & NO LOAD.  
 ALL VOLTAGES MEASURED WITH RESPECT TO GROUND/COMMON  
 \* RAISED COMPONENT  
 RAIL VOLTS @ 200W INTO 8Ω ±136V  
 @ 308W INTO 4Ω ±122V  
 Q1 ADJUST SET AT 250mA.

PROPRIETARY WARNING  
 THIS DOCUMENT PRINT OR ARTICLE CONTAINS PATENTED COPYRIGHT AND PROTECTED DESIGNS MATERIAL INFORMATION AND DATA OWNED BY FERREUX SOUND LTD AND IS NOT FOR SALE OR OTHER DISPOSITION ALTERATION DUPLICATION COPY APPLICATION OR USE EITHER WHOLLY OR PARTLY PUBLICLY PRIVATELY WHERESOEVER AND HOWSOEVER WITHOUT EXPRESSLY THE WRITTEN CONSENT OF FERREUX SOUND LTD FIRST OBTAINED. ANY UNAUTHORIZED BREACH OR ATTEMPTED BREACH OF THIS WARNING WILL BE LEGALLY ACTIONABLE.



CIRCUIT DIAGRAM E2 & E2000  
 2/10463



PERREAUX

MAP CODE.....	PN.....	DESCRIPTION.....	QTY/ ASSY
R22, 122, 23, 123	RNE10	RES 5W NI 10E	4
R21, 121	RNE4-7	RES 5W NI 4.7E	2
RV2, 102	RPK100N	POT PRESET 100K VTP NOBLE	2
RV1, 101	RPK1N	POT PRESET 1K VTP NOBLE	2

\*\*\*

MAP CODE.....	PN.....	DESCRIPTION.....	QTY/ ASSY
	AB10429	PARENT E2 OUTPUT PCB ASSY	0
C13, 113, 26, 126, 35	CBHA100	CAP EL PCM 10MF 100V	5
C4, 104	CBHE35	CAP EL PCM 22MF 35V	2
C11, 111, 24, 124	CBHK100	CAP EL PCM 47MF 100V	4
C28, 128	CBKQ100	CAP EL PCM 8200MF 100V	2
C6, 106	CDAF6	CAP DISC 3.3PF 3-900V	2
C9, 109	CDBA6	CAP DISC 10PF 3-900V	2
C2, 102	CDBH6	CAP DISC 33PF 3-900V	2
C7, 107	CDBK6	CAP DISC 47PF 3-900V	2
C3, 103	CDCF6	CAP DISC 270PF 3-900V	2
C5, 105	CMGC1	CAP MYL 1.5MF 100V 20MM 10%	2
C1, 101	CMGH1	CAP MYL 3.3MF 100V 26.5MM 10%	2
C15-22, 115-122, 29-32	CZEA400	CAP PHIL 0.01MF 400V	20
C8, 108, 10, 110, 12, 112, 14, 114, 25, 125, 27, 127	CZFA250	CAP PHIL 0.1MF 250V	12
BR1	DPB8	B/RECT KPBC2504W 400V 25A	1
D4-8, 104-107	DPD1	DIODE POWER 1N4004 400V 1A	9
D1-3, 101-103	DS1	DIODE SIG 1N4148 75RV A2	6
ZD1, 2, 101, 102	DZC9	DIODE ZENER 9.1V 500mW	4
	FCZ420	SCREW CAP ZP M4*20	1
	FKZ49	WSR FLAT ZP M4*9	1
	FLZ4	WSR LOCK ZP M4	1
	FNZ4	NUT MACH HEX ZP M4	1
	FXP1	F/HOLD F1 CLIP PCM	8
L1, L101	KQ134	CHOKO TD134 COIL SPEC'S (1050)	2
	LM575	LABEL PRODUCTION STAGE	1
	MA10446	I/P SOCKET E1/2 DRILLED	1
	MP10460	HEATSINK B/RECT	2
	PC10455	PCB E2 200W	1
Q3, 103, 4, 104	QSH43	TSTR N TO-92 HA42L G3	4
Q12, 13	QSH44	TSTR N TO-92 HA42L G4	2
Q5, 105	QSH93	TSTR P TO-92 HA92L G3	2
Q1, 101, 2, 102	QSJ93	TSTR P TO-92 JE9092 G3	4
	RAEO	RES 3A LINK OE	2
R11, 111, 12, 112	RBE100	RES W33 MF 100E	4
R14-19, 114-119	RBE220N	RES W33 MF 220E-ND C/B	12
R9, 109	RBE270	RES W33 MF 270E	2
R47	RBE47	RES W33 MF 47E	1
R3, 103, 7, 107	RBK2-2	RES W33 MF 2.2KE	4
R28	RBK22	RES W33 MF 22KE	1
R5, 105, 6, 106	RBK3-3	RES W33 MF 3.3KE	4
R4, 104	RBK33	RES W33 MF 33KE	2
R13, 113, 20, 120	RBK47	RES W33 MF 47KE	4
R1, 101	RBK470	RES W33 MF 470KE	2
R2, 102, 8, 108	RBK56	RES W33 MF 56KE	4
R29	RDK3-9	RES 1W MF/MX 3K9E	1
R24, 124	RFE180	RES 2W MF/MX 180E	2
R26, 126	RFE82	RES 2W MF/MX 82E	2
R10, 110	RFK22	RES 2W MF/MX 22KE	2
R25, 125, 27, 127	RFK6-8	RES 2W MF/MX 6.8KE	4