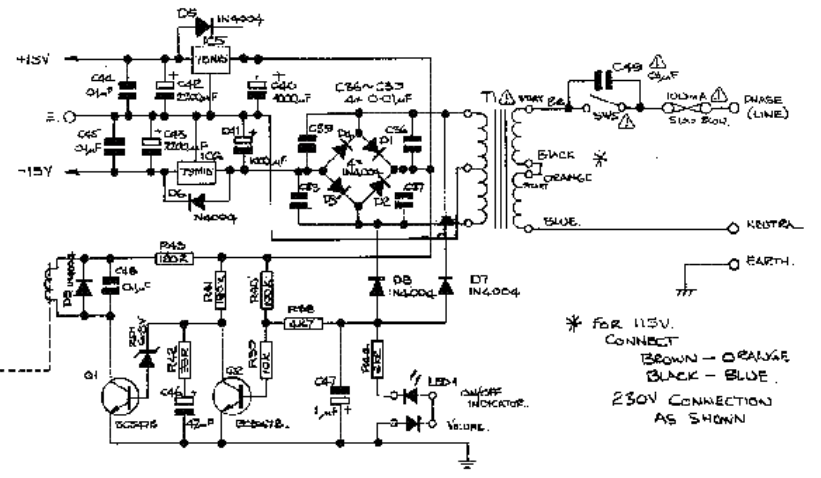
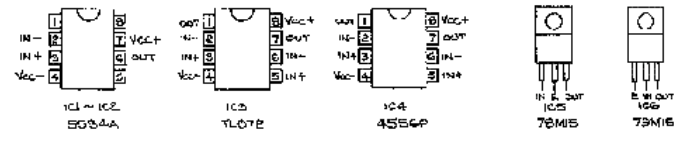


PRINTED WARNING
 THIS ARTICLE CONTAINS
 CRYSTAL AND PRACTICAL DESIGN
 INFORMATION AND DATA OWNED BY
 PEREANK AND NOT FOR SALE OR
 REPRODUCTION WITHOUT THE
 WRITTEN CONSENT OF
 PEREANK CORPORATION
 ANY USE OF THIS INFORMATION
 WITHOUT THE WRITTEN CONSENT OF
 PEREANK CORPORATION IS
 EXPRESSLY FORBIDDEN.

PRINTED WARNING
 THIS ARTICLE CONTAINS
 CRYSTAL AND PRACTICAL DESIGN
 INFORMATION AND DATA OWNED BY
 PEREANK AND NOT FOR SALE OR
 REPRODUCTION WITHOUT THE
 WRITTEN CONSENT OF
 PEREANK CORPORATION
 ANY USE OF THIS INFORMATION
 WITHOUT THE WRITTEN CONSENT OF
 PEREANK CORPORATION IS
 EXPRESSLY FORBIDDEN.



* FOR 115V
 CONNECT
 BROWN - ORANGE
 BLACK - BLUE
 230V CONNECTION
 AS SHOWN

PRE AMPLIFIER EPI.

2/10484

PEREANK CORPORATION NEW ZEALAND PO BOX 3084 ONEKAMA.	TITLE CIRCUIT DIAGRAM		DATE OF DRAWING	DESIGNED BY JAMES J. JAR
	DATE 8-8-88	CHECKED EP.	DRAWING NUMBER 2/10484	