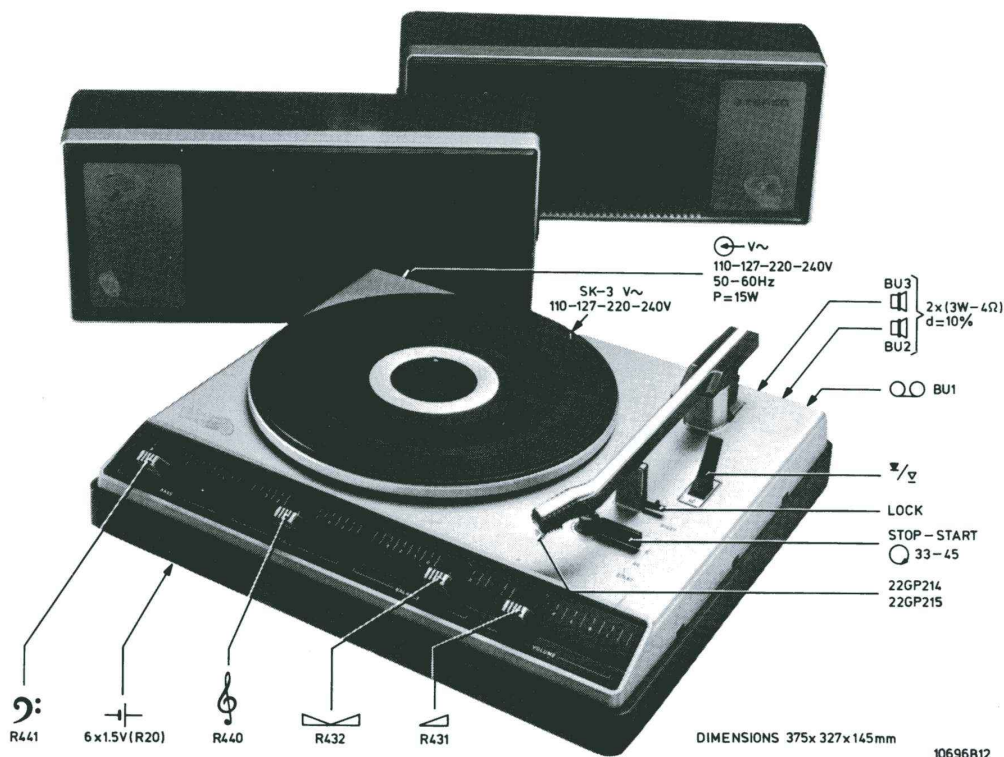


Service
Service
Service

Service Manual

For record changer see 22GC051/R version



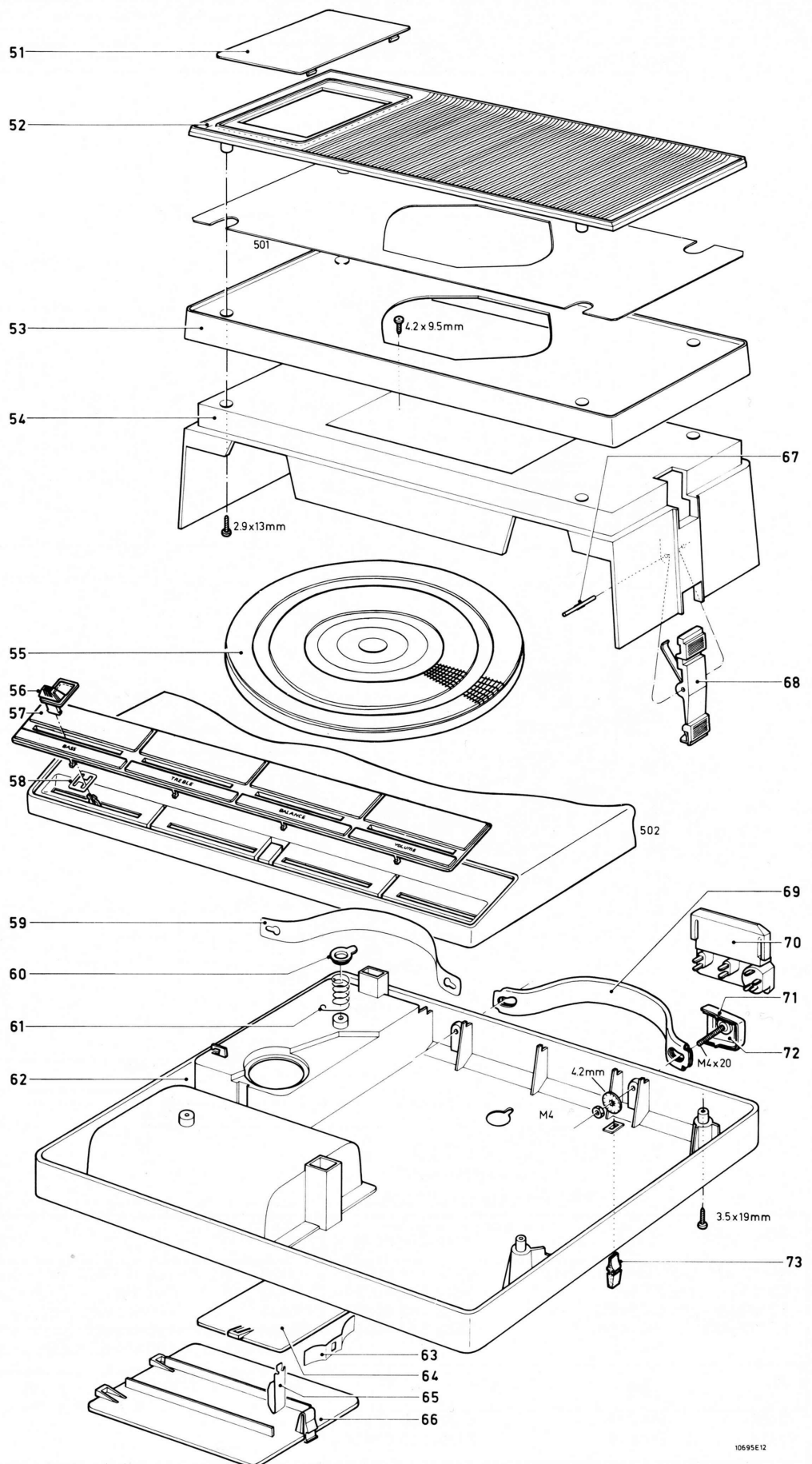
Safety regulations require that the set be restored to its original condition and that parts which are identical with those specified, be used.

Documentation Technique Service Dokumentation Documentazione di Servizio Huolto-Ohje Manual de Servicio Manual de Servicio



Subject to modification
4822 726 11778
Printed in The Netherlands

PHILIPS



51	4822	454	30259
52	4822	458	50248
53	4822	444	30201
54	4822	444	20167
55	4822	528	10315
56	4822	411	60522
57	4822	454	30258
58	4822	402	60558
59	4822	466	80706
60	4822	290	30096
61	4822	492	50903
62	4822	444	50237
63	4822	492	61902
64	4822	426	60062
65	4822	492	61688
66	4822	426	60061
67	4822	535	10119
68	4822	417	60166
69	4822	498	40418
70	4822	267	20152
71	4822	498	70045
72	4822	402	60447
73	4822	462	40328

Fig. 1

10695E12

S																				S403 S404											
C	739	745	747	751	749	737	743	703	707	711	723				715	709	701				719	721	705	725							
C	740	746	748	752	750	738	744	704	708	712	724				714	710	702				720	722	706	726							
R	531	525	520	441a	519	523	432a	440a	507	431a												505				501	503				
R	532	526	530	441b	520	524	432b	440b	508	431b												506				502	504			513	509
MISC	Bu1 TS437 TS438																				Bu2 S403 Bu3 S404 TS421 M										

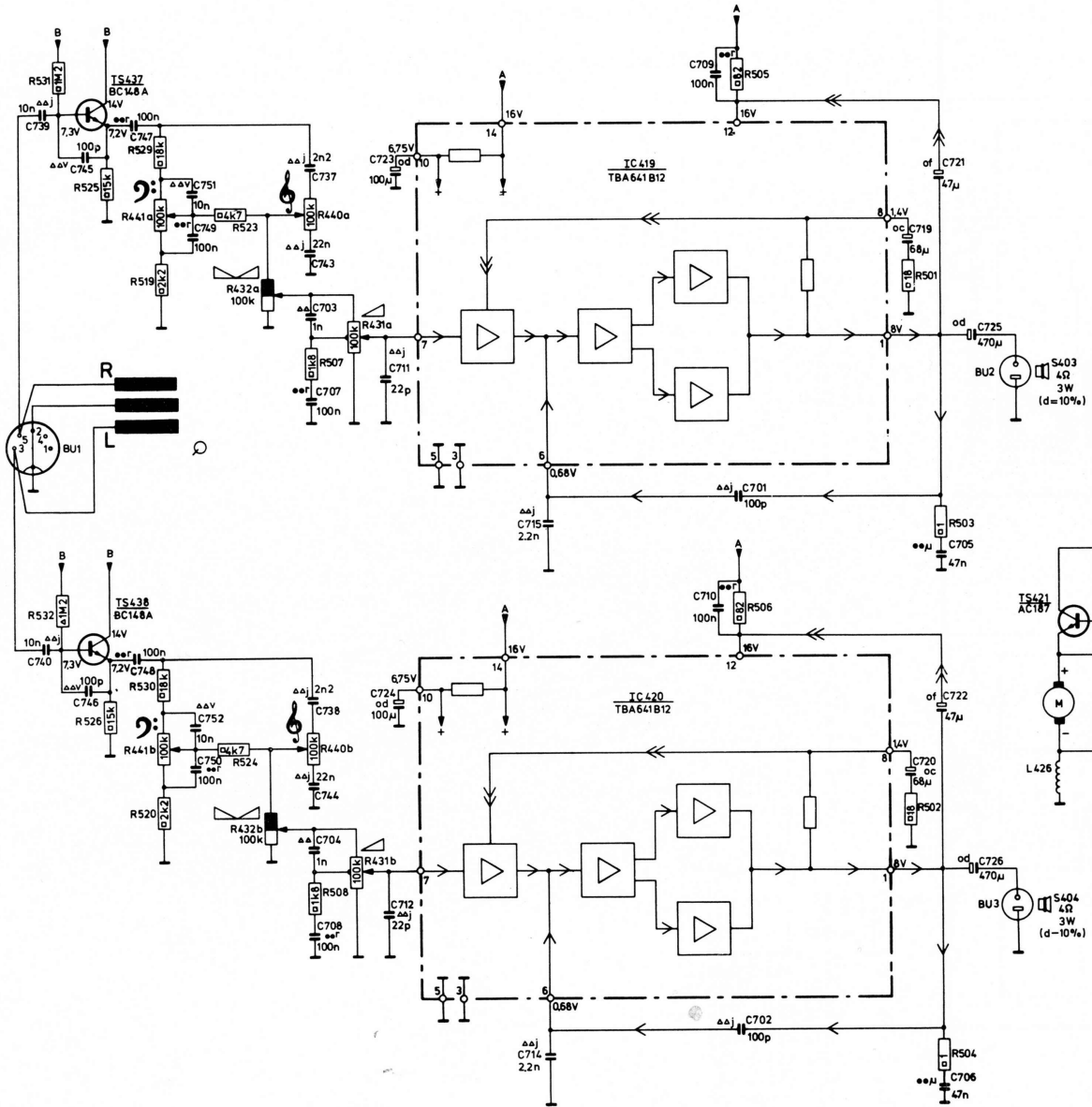
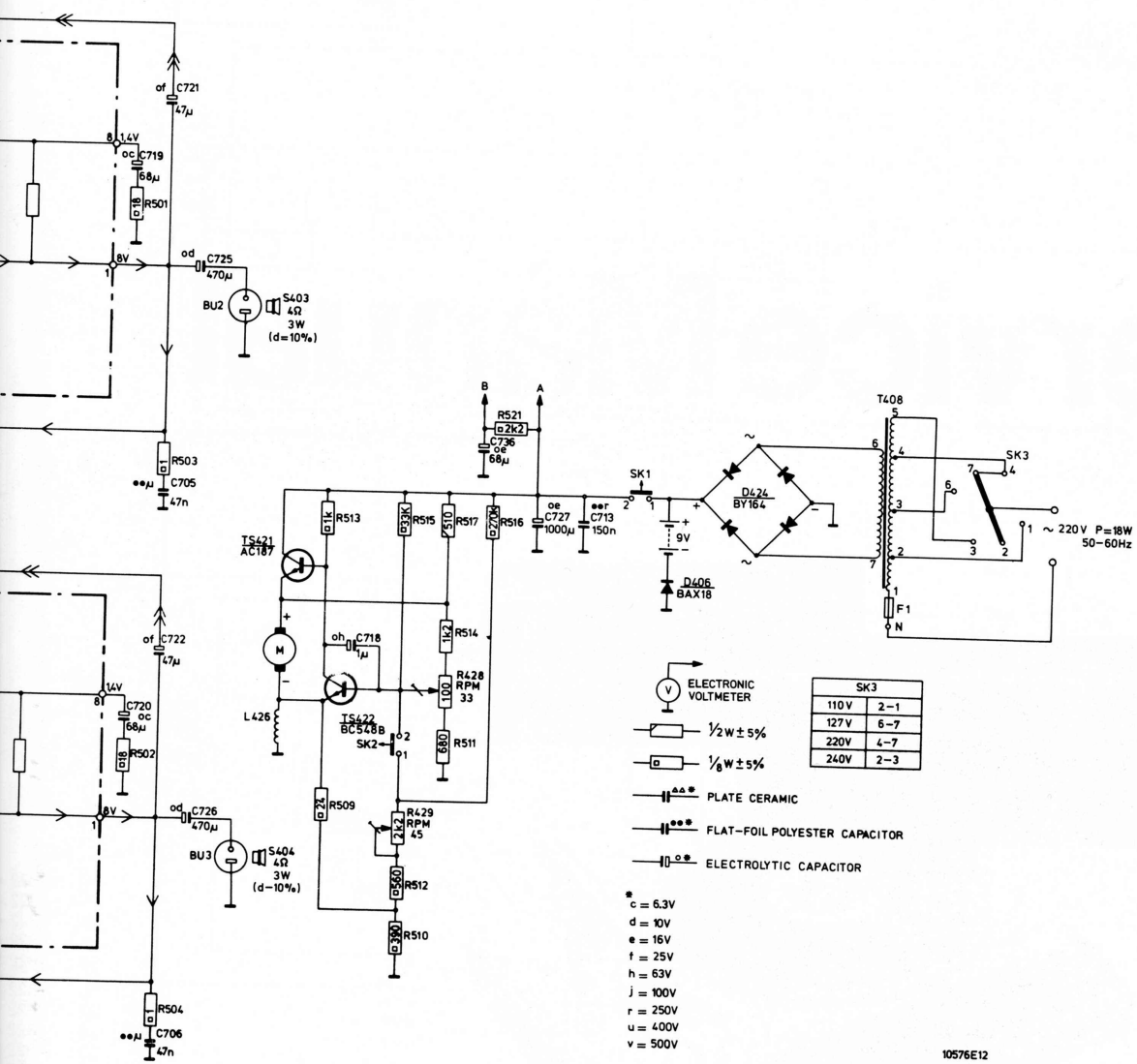


Fig. 2

-IC-	-TS-				
IC419-420	TBA641 - B12		4822	209	80271
TS421	AC187		5322	130	40314
TS422	BC548B		4822	130	40937
TS437-438	BC148A		5322	130	40317
-D-					
D406	BAX18		5322	130	34121
D424	BY164		5322	130	30414
-R-					
R428	100 Ω lin.		4822	100	10075
R429	2k2 lin.		4822	100	10029
R433	100 k semi log.		4822	105	10154
R432	100 k spec.		4822	105	10155
R440-441	100 k lin		4822	105	10156
R511	680 Ω 0,4 W ± 2%		5322	116	54534
R514	1,2 k 0,4 W ± 2%		5322	116	54557

-L -					
S403	4Ω				
L426	3W				
-SK-					
SK3					

S403 S404		L426			
719	721	705	725	736	
720	722	706	726	718	
501	503			727 713	
502	504			521	
Bu2 S403		Bu3 S404		TS421 M TS422	
513 509 515 429 512 510 517 514 428 511 516				SK1 D406 D424 T408 T408 F1 SK3	



SK3	
110 V	2-1
127 V	6-7
220 V	4-7
240 V	2-3

Fig. 2

10075
10029
10154
10155
10156
54534
54557

-L.-S-			Miscellaneous
S403-404	4 Ω	4822 240 20014	T408
L426		4822 157 50789	F1
			M
-SK-			
SK3		4822 272 10083	

4822 145 30195
4822 252 20007
4822 361 20112

10576E12

	IC419				IC420				TS421.TS422.TS437.L426.				TS438.	
M	705.701.711.725. 715.				709.719.721.723.751.726.				714.702.712.707.744. 706. 710.708. 722.724.720. 713.703. 718.745.739.				704.746. 748. 727.	
C	749.750.				743.752.				747.				740.	
R	503.				501.505.520.519. 432. 508.507.				504.523.524. 506.502.				517. 513.515. 532.514.431.511.510.512.516.	
R	441				529.530.				525. 531.				428.509.429.526.440.	

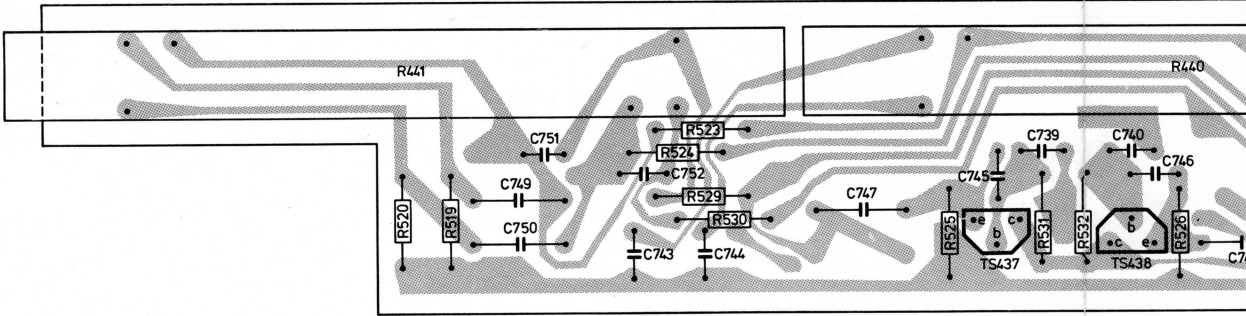
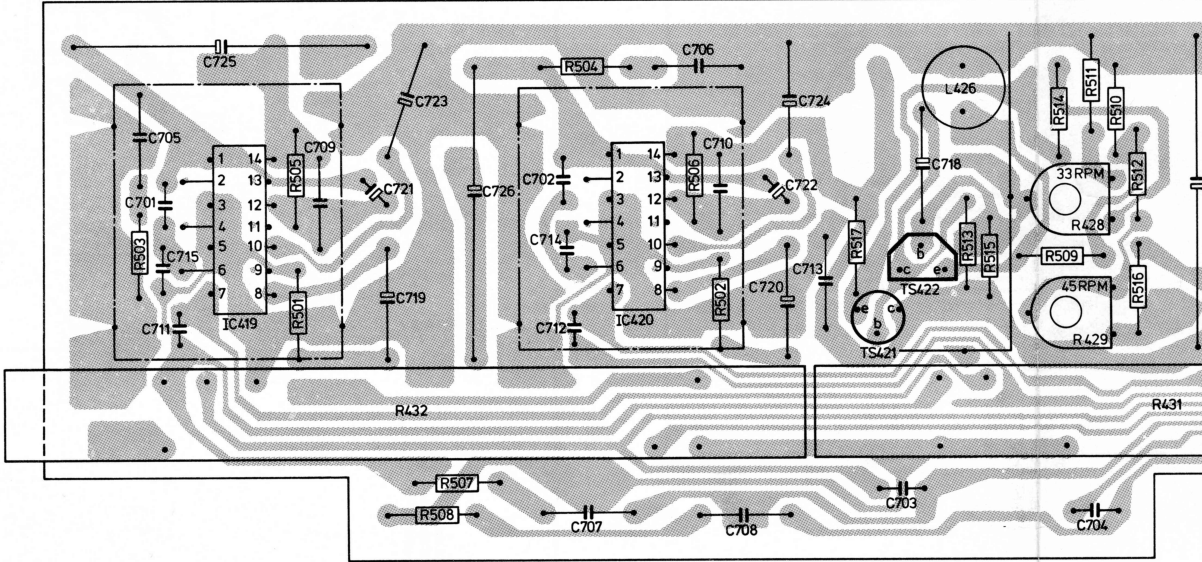
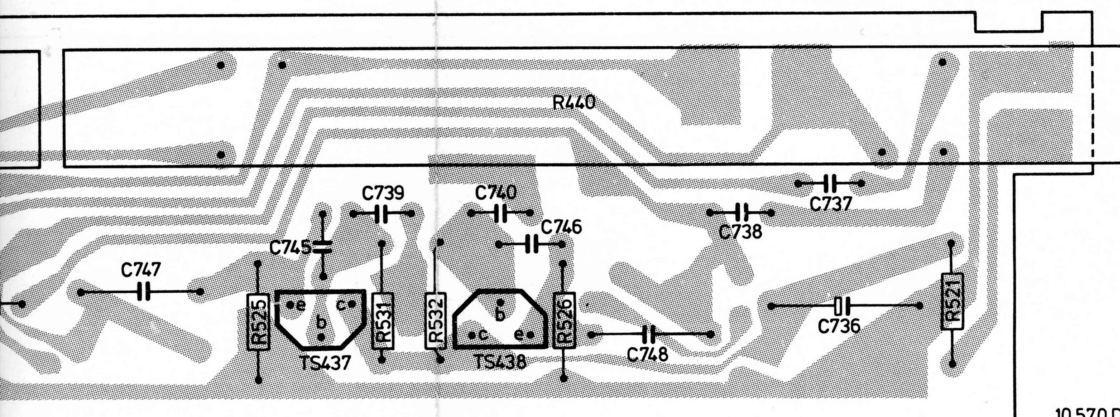
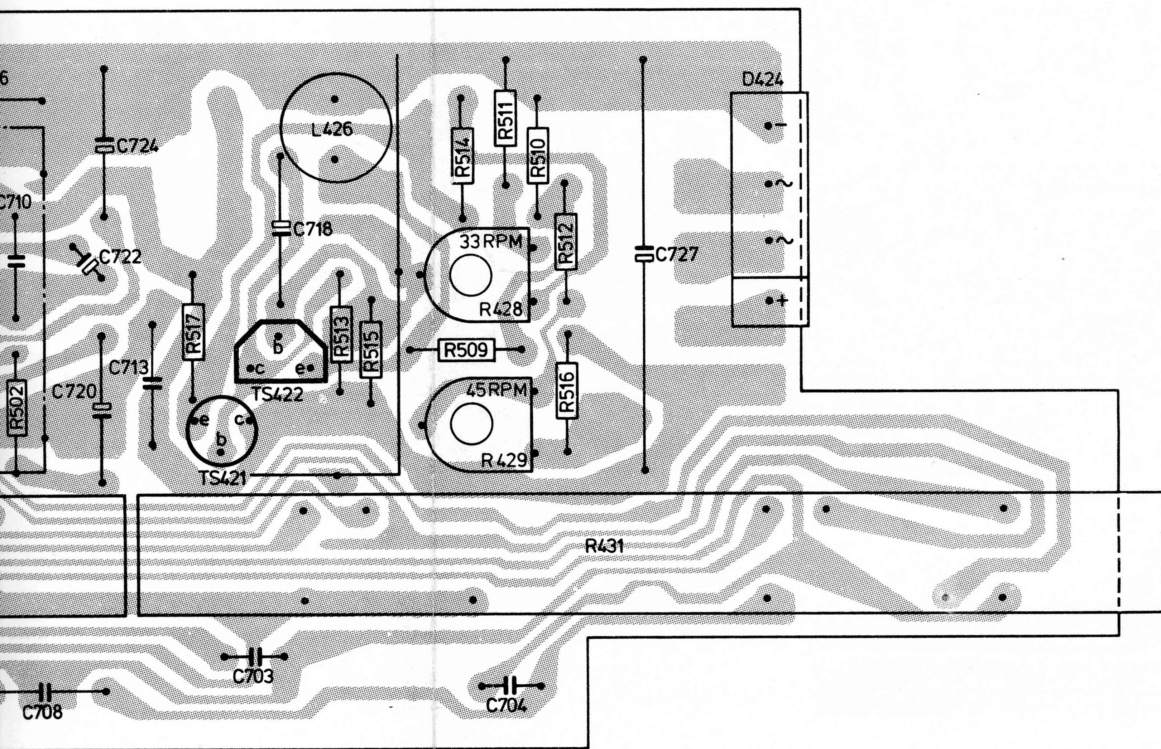


Fig. 4

	TS421.TS422.TS437.L426.	TS438.	D424.	M	
0.708.	722.724.720.713.703.718.745.739.	704.746.	748.727.738.	737.736.	C
	747.	740.			C
5.502.	517.	513.515.	532.514.431.511.510.512.516.		R
	525.	531.	428.509.429.526.440.	521.	R



10570D8

Fig. 4

M	D424	TS438.TS437.S426.TS422.TS421.										IC420				IC419			
C	736-738.	727.748.	704.	740.	739	745.718.	703.	713.720.724.722.708.710.706.	744.	712.702.707.	714.	726.749.723.719.721.	709.	725.	711.	701.	705.	715	
C				745.				747.			752.743.	751.750.							
R	521	509.516.510-515.				525.517.		502.506.	523.524.504.		432.507.508.		520.505.501.		503				
R		431.440.526.428.429.532.				531.		529.530.		519.441.									

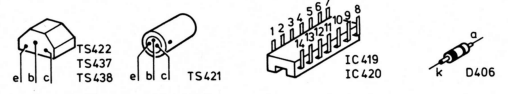
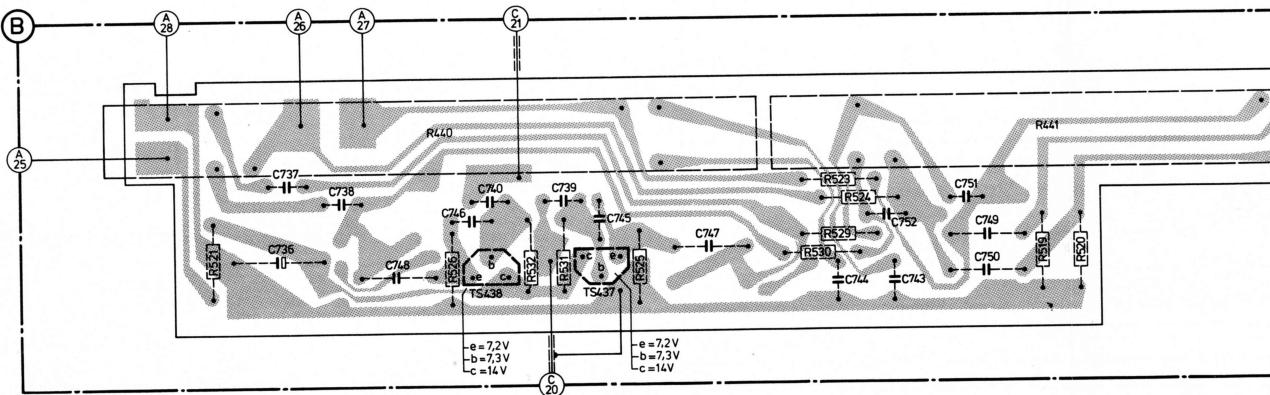
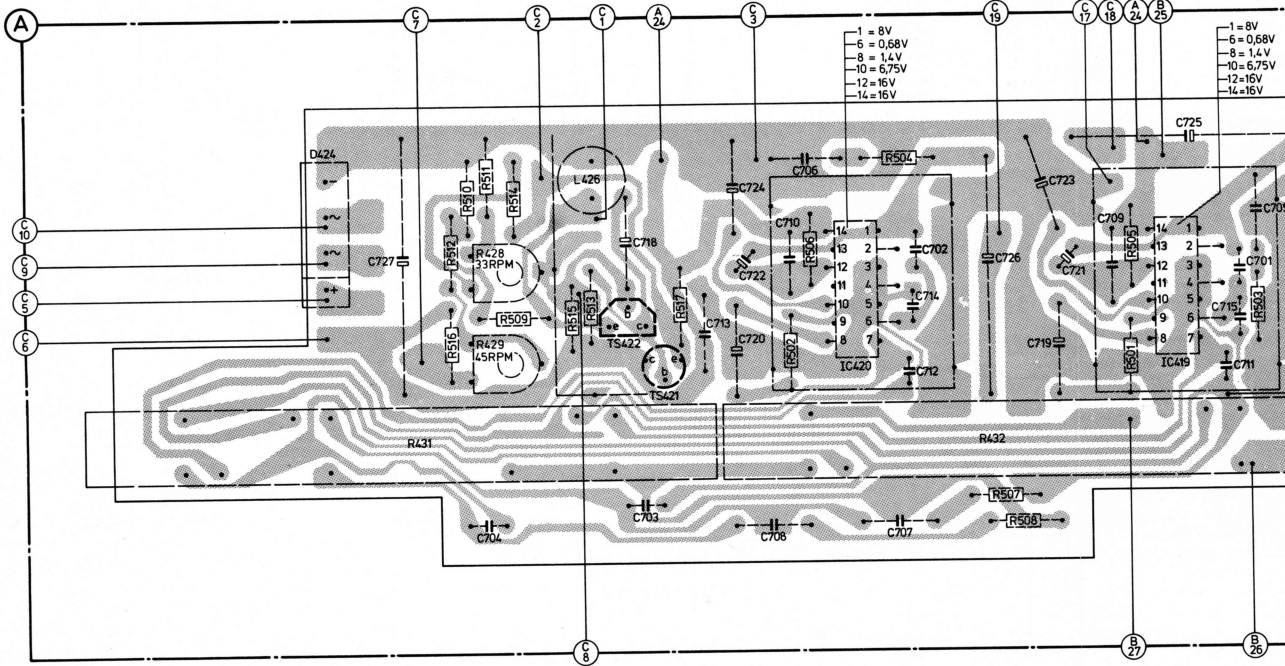


Fig. 3

2.702.707.714.	726.749.723.719.721.	709.	IC419	PU D406 SK3	BU1	BU2.F1	BU3 M	T408	SK1 SK2
752.743.	751.750.		725. 711.701.705.715						
504.	432.507.508.	520.505.501.	503						
30.	519.441.								

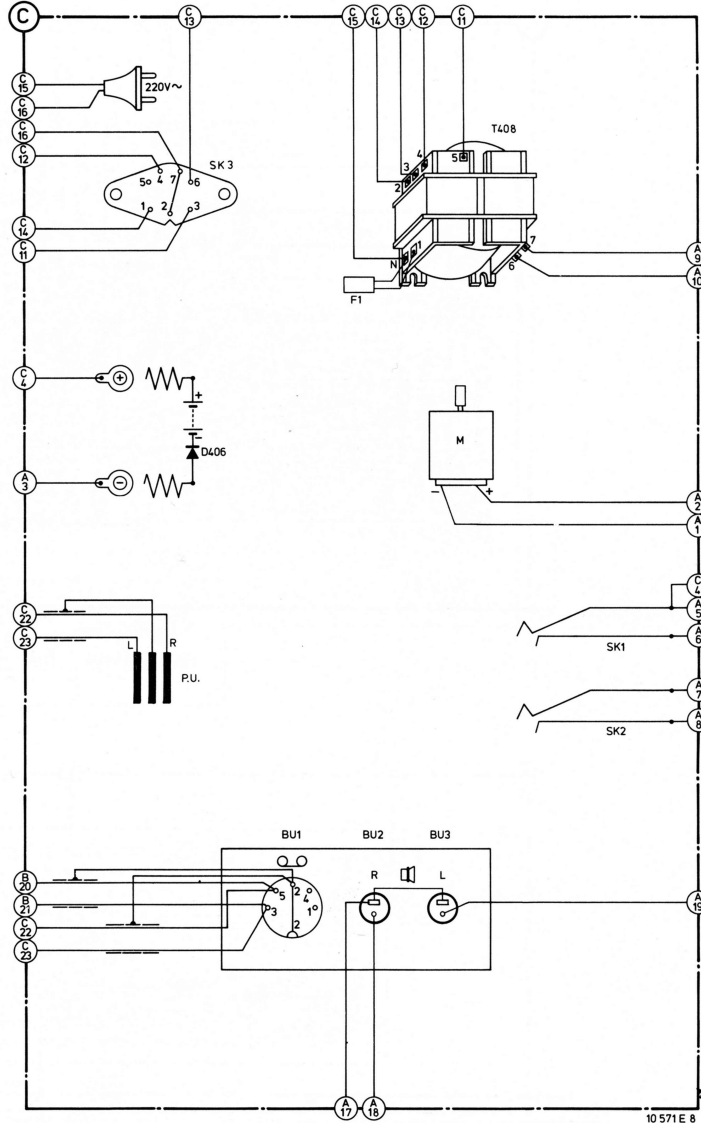
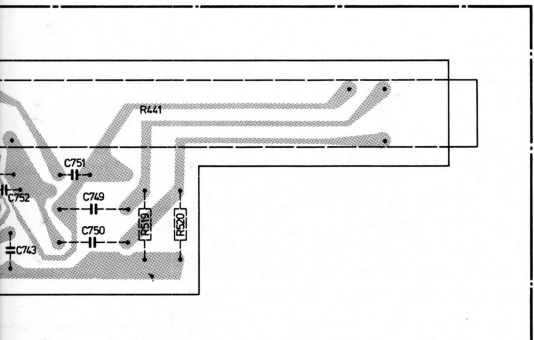
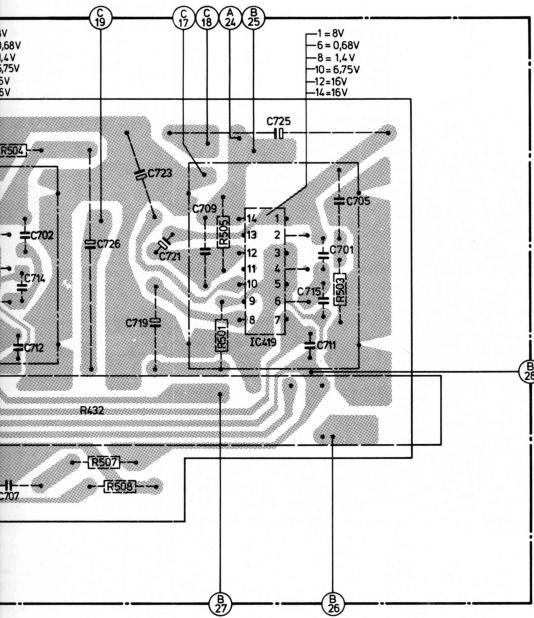


Fig. 3