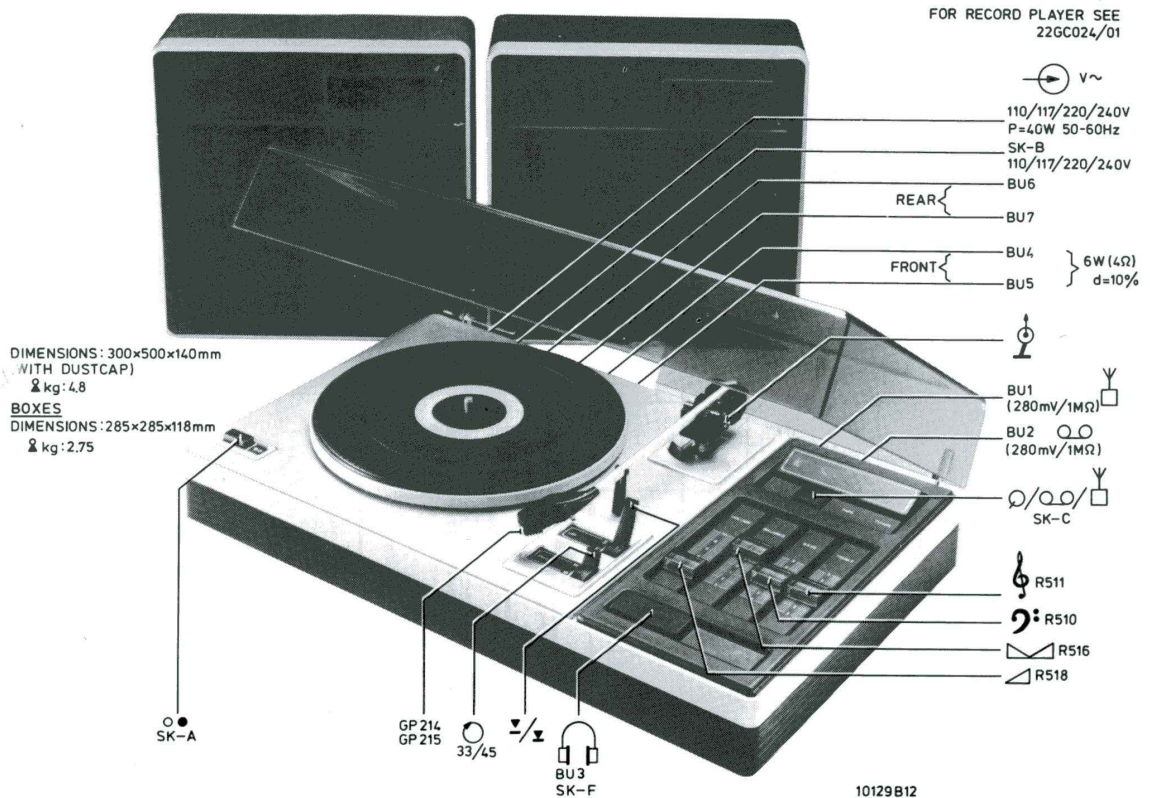


Service  
Service  
Service

# Service Manual



DIMENSIONS: 300x500x140mm  
 WITH DUSTCAP)  
 kg: 4,8  
 BOXES  
 DIMENSIONS: 285x285x118mm  
 kg: 2,75

Safety regulations require that the set be restored to its original condition and that parts which are identical with those specified, be used.

Documentation Technique Service Dokumentation Documentazione di Servizio Huolto-Ohje Manual de Servicio Manual de Servicio



Subject to modification  
 4822 726 11789  
 Printed in The Netherlands

**PHILIPS**

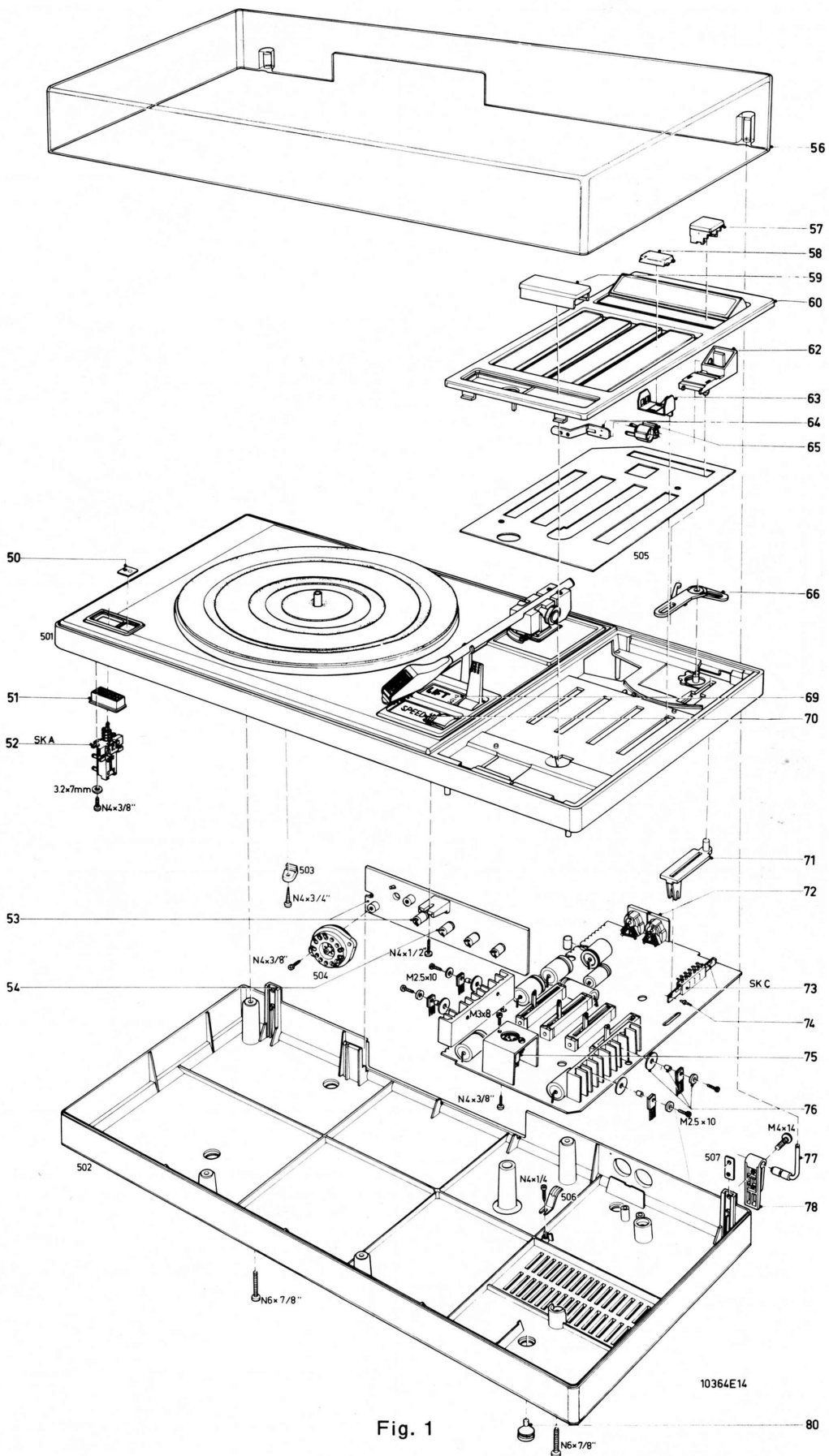


Fig. 1

50	4822 454 30252
51	4822 410 21786
52	4822 276 10519
53	4822 268 30043
54	4822 268 20032
56	4822 444 20177
57	4822 411 60346
58	4822 381 10417
59	4822 411 60386
60	4822 459 80069

62	4822 402 60476
63	4822 402 50135
64	4822 402 60477
65	4822 255 10007
66	4822 402 50133
69	4822 454 30254
70	4822 454 30253
71	4822 402 50134
72	4822 267 40209
73	4822 277 30571

74	4822 535 90892
75	4822 267 40192
76	4822 255 40115
77	4822 417 10543
78	4822 417 10545
80	4822 462 40227

IC451.TS402a	SK-E, M	SK-D	TS403a...405a	D479a, 478a	TS407a...410a	BU3	BU4	BU6	MISC										
TS402b			D474, 475	TS403b...405b	D479b, 478b	TS407b...410b	SK-C	SK-F	BU5	BU7	MISC								
a	616a	609a	617a	610a	611a				618a	615a	C								
b	616b	609b	617b	610b	611b	685	612b	613b	681	614a	682	614b	684	618b	618b	C			
512a	515a, 566	570, 516a	529a	517a	518a		519a	520a	522a		531a	523a	526a	530a	532a	R			
512b	515b	516b	529b	517b	518b		519b	520b	522b		521a, b	531b	523b	526b	581	530b	532b	R	
																		597	R

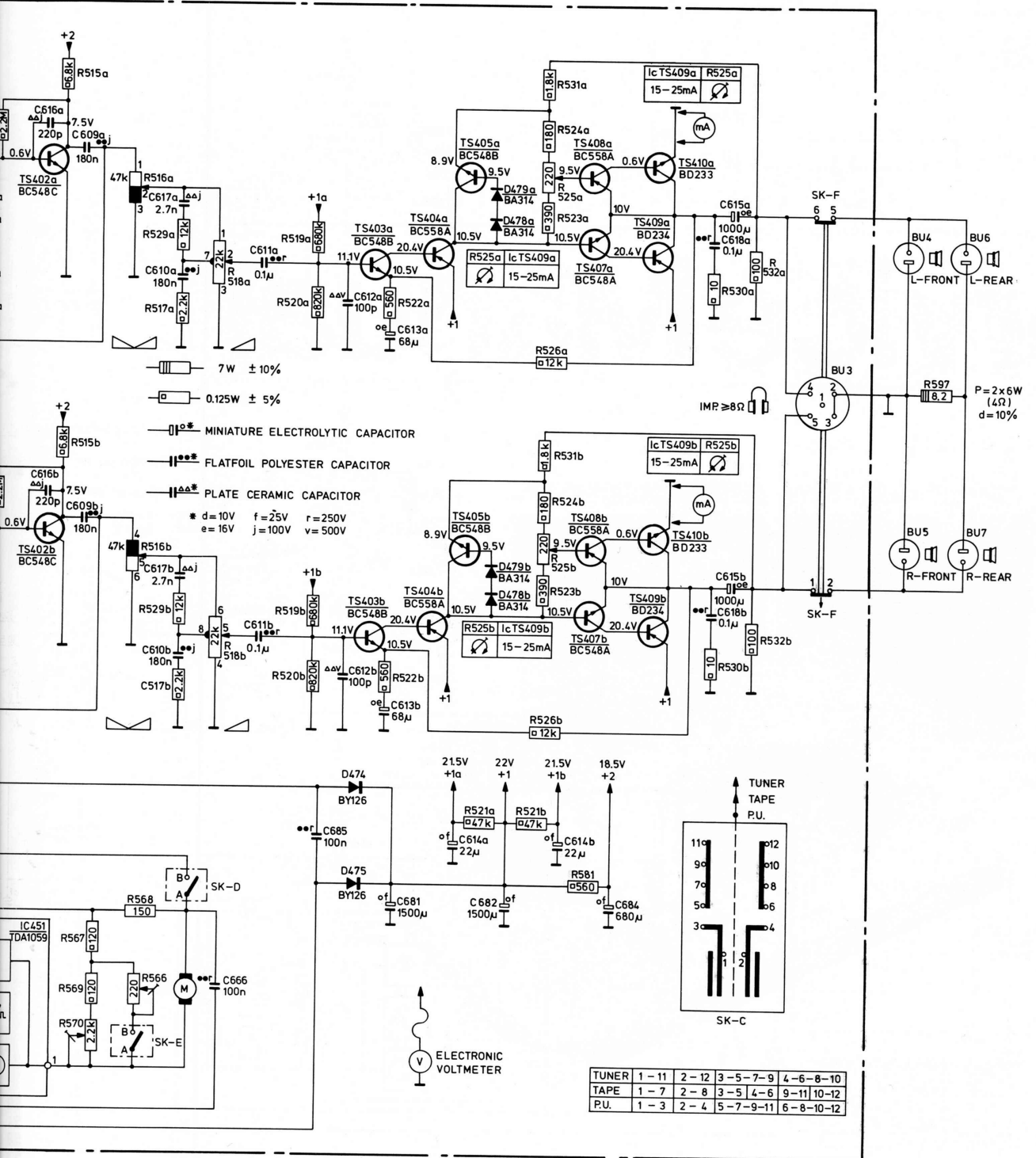
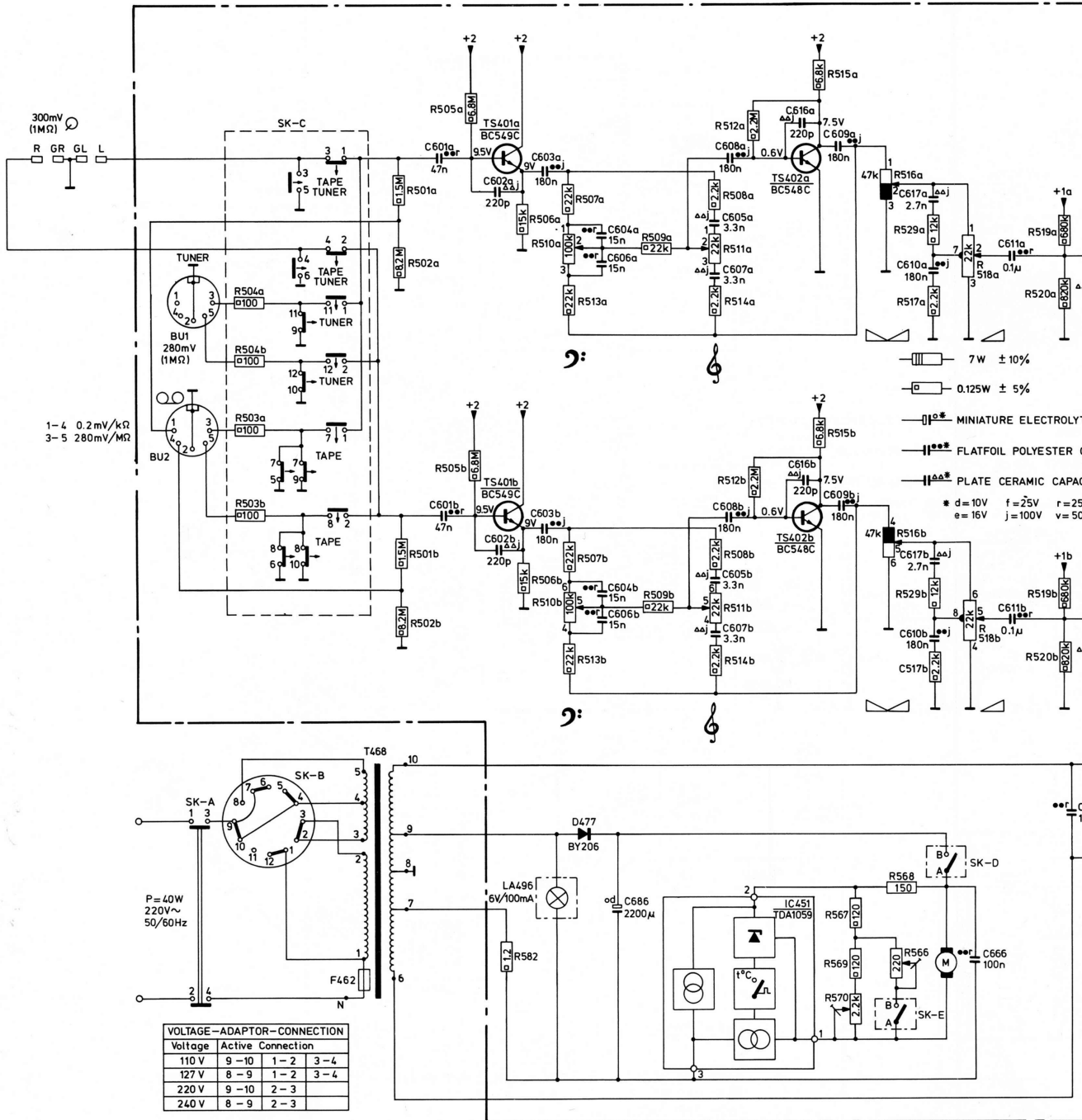


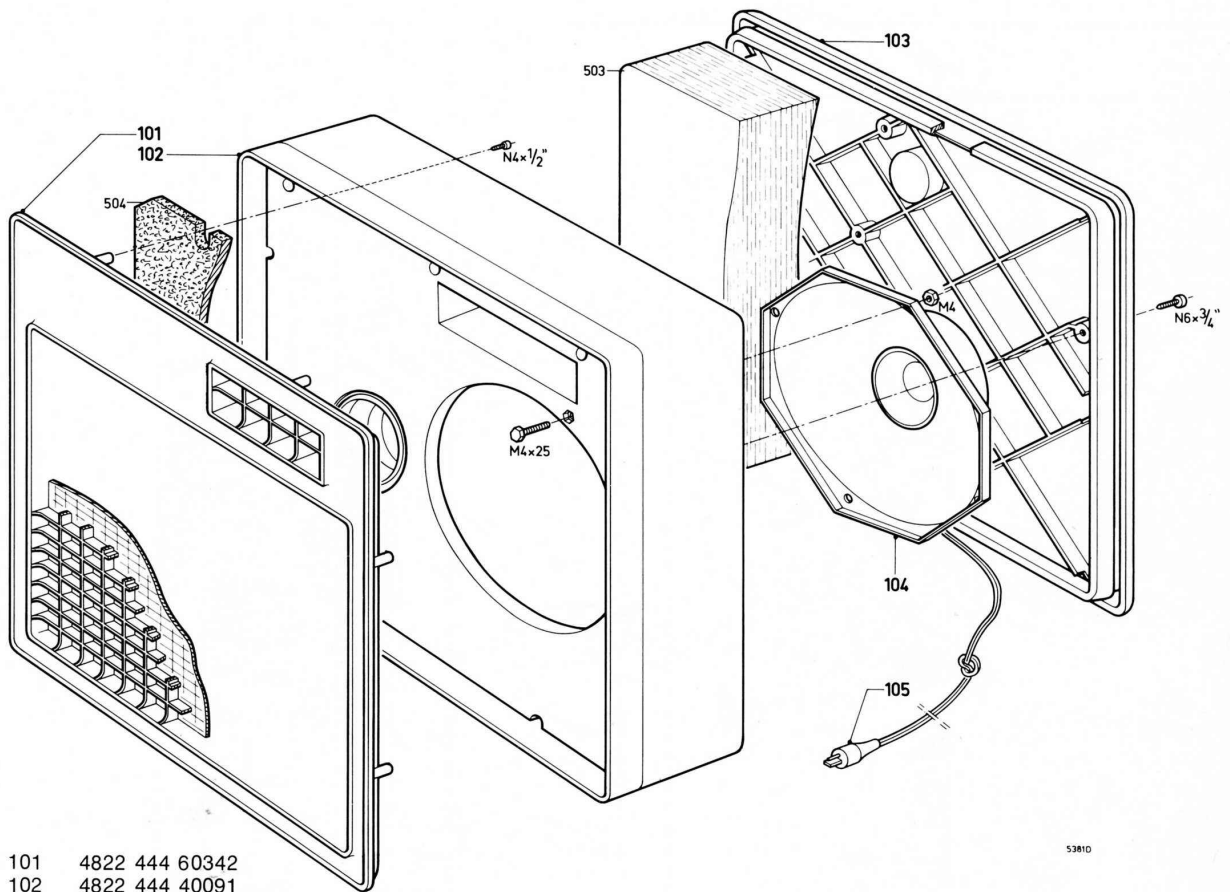
Fig. 2

MISC:	BU1	SK-C	TS401a,LA496				IC451.TS402a				SK-E, M	SK-D															
MISC:	BU2	SK-A	SK-B	F462	T468	TS401b	D477	TS402b				D															
C						601a	602a	603a	604a	606a	605a	607a	608a	616a	609a	617a	610a	611a	685								
C						601b	602b	603b	604b	606b	605b	607b	608b	616b	609b	617b	610b	611b									
R						501a	502a	505a	506a	507a	510a	513a	509a	508a	511a	514a	512a	515a	566	570	516a	529a	517a	518a	519a	520a	
R						501b	502b	505b	506b	507b	510b	513b	509b	508b	511b	514b	512b	515b	516b	529b	517b	518b	519b	520b	520b	520b	520b



VOLTAGE-ADAPTOR-CONNECTION			
Voltage	Active Connection		
110 V	9-10	1-2	3-4
127 V	8-9	1-2	3-4
220 V	9-10	2-3	
240 V	8-9	2-3	

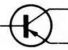

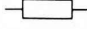
Fig. 2



- 101 4822 444 60342
- 102 4822 444 40091
- 103 4822 444 50258
- 104 4822 240 50094
- 105 4822 264 30041

Fig. 4

53810

-TS-				-Miscellaneous-			
401a-401b	BC549C	5322 130 44246		M	Motor	4822 361 20131	
402a-402b	BC548C	5322 130 44196		462	Trafo fuse	4822 252 20071	
403a-403b } 405a-405b }	BC548B	4822 130 40937		468	Trafo	4822 145 40158	
404a-404b } 408a-408b }	BC558A	4822 130 40962		469	Lamp 6 V - 100 mA	4822 134 40326	
406a-406b } 407a-407b }	BC548A	4822 130 40948					
409a-410a 409b-410b }	BD234/233 pair	4822 130 41017					
451	I.C. TDA1059	4822 209 80321					
-D-				-R-			
474-475	BY126	5322 130 30192		510a,b	2x100 kΩ (lin)	4822 105 10136	
477	BY206	4822 130 30839		511a,b	2x22 kΩ (lin)	4822 105 10135	
478a-478b } 479a-479b }	BA314	4822 130 30879		516a,b	2x47 kΩ (lin)	4822 105 10188	
				518a,b	2x17 K + 5 kΩ	4822 105 10189	
				525a-525b } 566	Trimptom. 220 Ω	4822 100 10019	
				568	150 Ω 1/8 W 2%	5322 116 54486	
				570	Trimptom. 2k2 Ω	4822 100 10029	
				597	8E2 7 W	4822 112 41052	

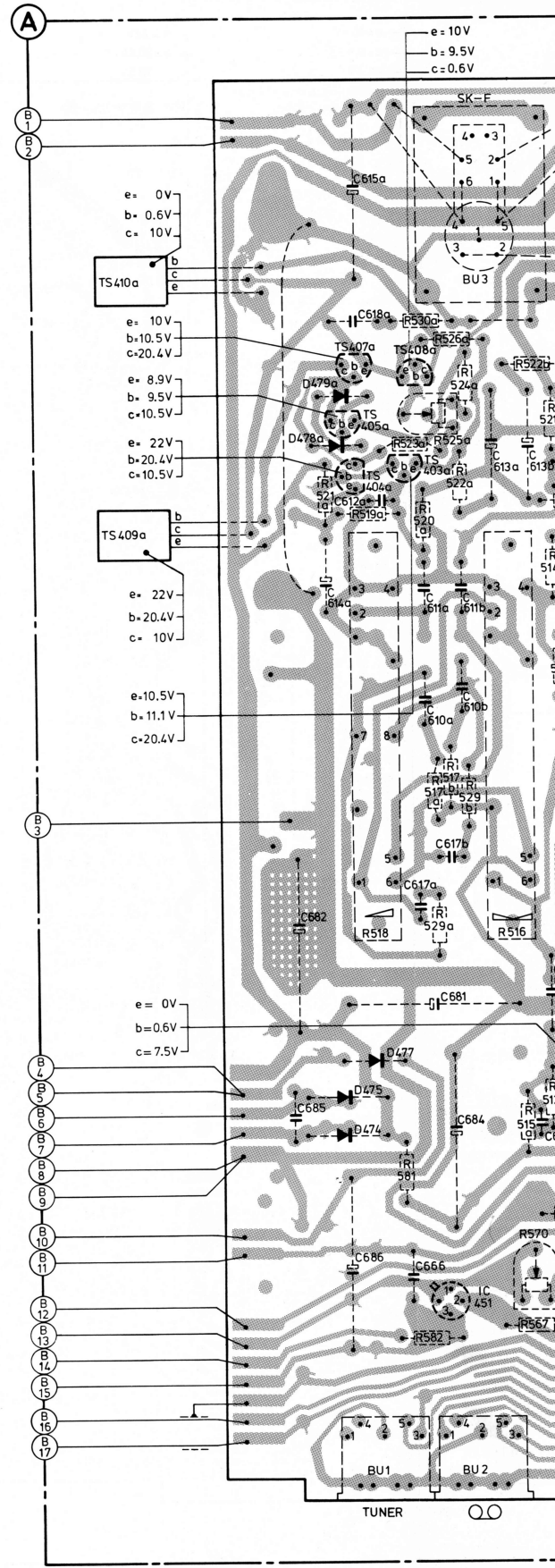
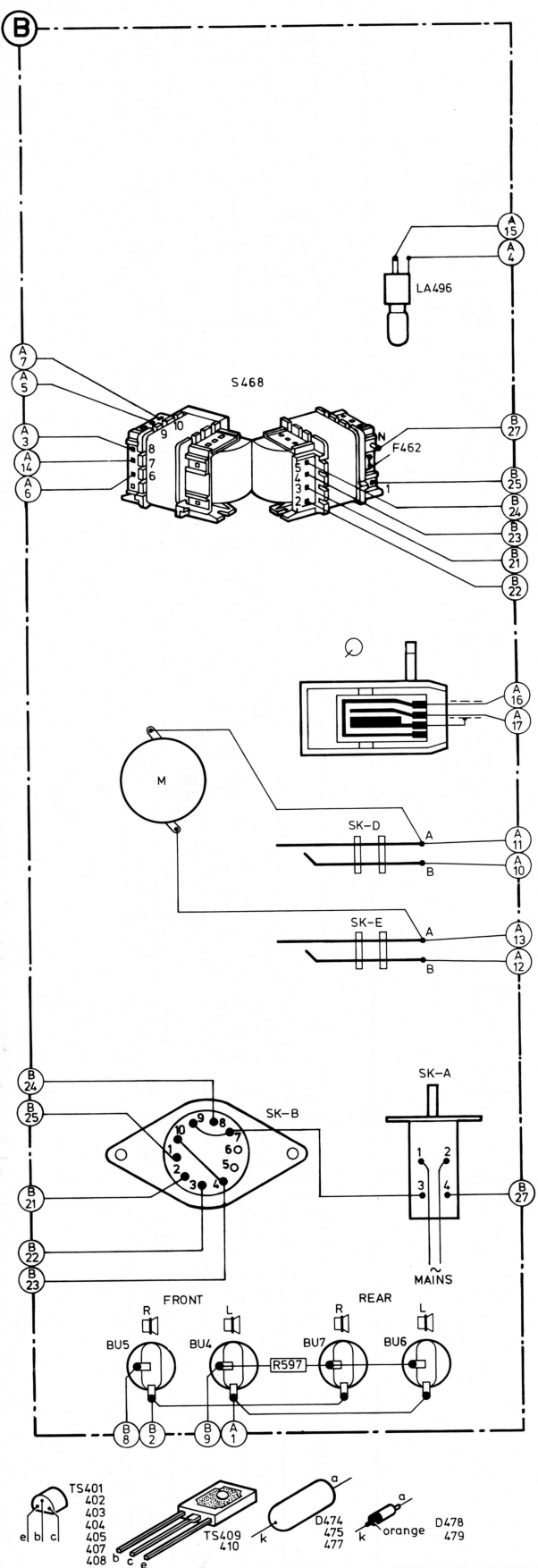
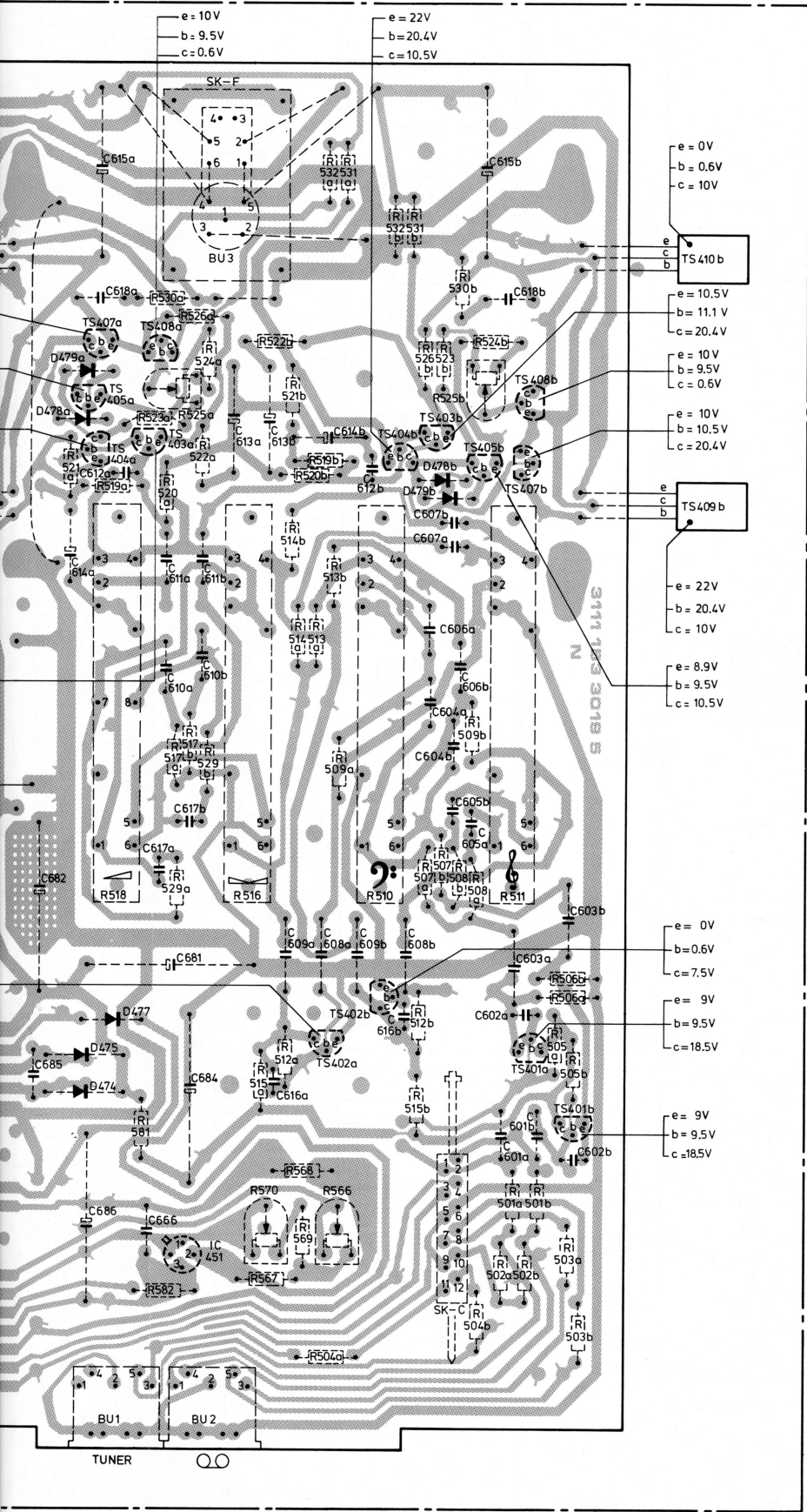


Fig. 3



MISC.	C	C	R	R
SK-F				
LA496	615a	615b		532a 531a
S468				532b 531b
BU3 TS410a TS410b				530b
F462	618a	618b		526a 526b 523b 525a 521b
TS407a				523a 522a 524b 524a 525a 521b
TS408a D479a TS408b D478a TS405a TS403a TS404a TS403b TS404b TS407b D478b TS405b TS409b TS409a D479b	613a 613b 614b 612a 612b 612a 612b 612a 611a 611b	613b 614b 612b 607b 607a 611a 611b		522a 519b 520b 521a 519a 520a
	614a 611a 611b	607a		514b 513b
	610b 610a 611b	606a 606b		514a 513a
M				509b
SK-D				517b 517a 529b
	611b	605b 605a		509a
SK-E	617a 682 672			507b 507a 508b 508a 510 511
	609a 681 608a	609b 608b 603a		506b 506a 512b
TS402b		602a		512b
D477	616b			505a
TS401a D475 D474	616a 685 684	515a		505b 515b
TS401b SK-A SK-B	601a 601b	601a 601b 602b	581	581
	686 666			568 501b 501a
TS451 SK-C				570 569 503a 502a 502b
				567 582 597
BU4 BU5 BU6 BU7 BU2 BU1				504b 503b 504a