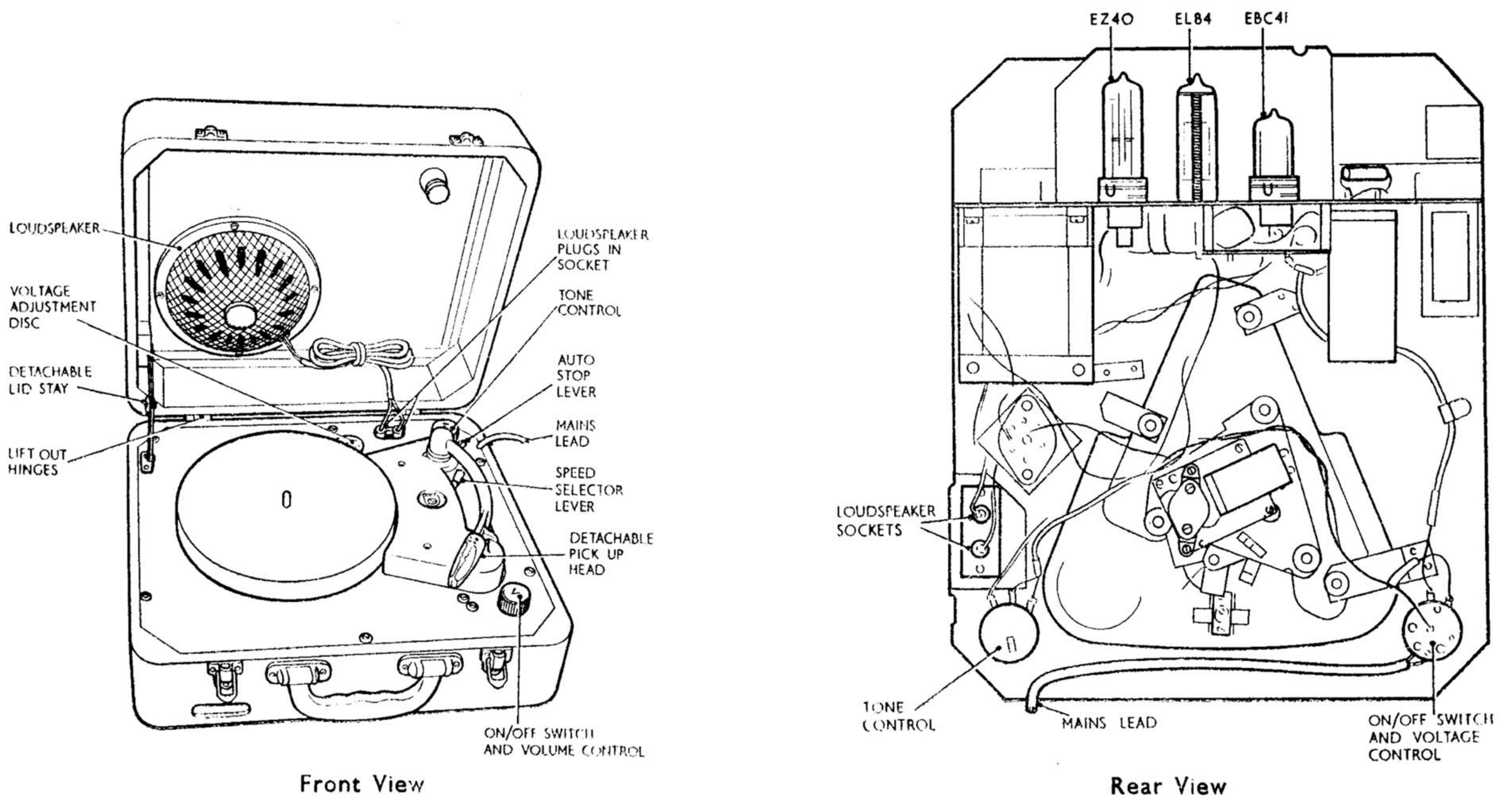


SERVICE MANUAL FOR

PHILIPS 3-SPEED PLAYER/REPRODUCER TYPE AG 2121



NOTE

The AG2121 consists of a 3-speed record player unit working in conjunction with a two-valve amplifier. The record player unit is basically a 424A (Disc Jockey) unit, information for which is contained in the 424A Service Manual which has been issued. There are spare part differences, however, and a complete spares list is therefore given in this manual.

VALVE COMBINATION

V1 EBC41 Voltage Amplifier.
V2 EL84 Power Output.
V3 EZ40 Mains Rectifier.

CONSUMPTION

With 245 V. 50 c/s applied to the 245 V. tapping. Consumption with motor on approx. 38 W. Consumption with motor off approx. 33 W.

VOLTAGE RANGE

110 V. to 245 V., 50 c/s.

DIMENSIONS OF CABINET

Height $6\frac{3}{4}$ ". Width $15\frac{1}{2}$ ". Depth $13\frac{1}{4}$ ".

REMOVING THE UNIT FROM ITS CASE

Unplug the speaker.

Release the lid stay from the top of the case by pulling back the locking catch and pushing the pivot out of bearing bracket.

The complete unit is held to the case by six screws.

REMOVING THE PLAYER UNIT

Remove the unit from its case.

Disconnect the pick-up lead from the volume control, the motor lead from the switch on the volume control, and the mains lead from the pick-up operated switch.

The unit is held by three bolts which pass through rubber bushes.

Spare parts for the unit are specified in this manual, but for servicing information reference should be made to the service manual for the 424A.

SPARE PARTS LIST—TYPE AG2121

IMPORTANT. When ordering spare parts, the type number of the receiver and the code number of the part, as given in this manual, **MUST** be quoted to enable the order to be correctly executed. When claiming free replacement under guarantee, the defective part should be returned and the type and serial number of the receiver, also the date of sale, should be quoted.

CASE ASSEMBLY

Leatherette covered case—complete	...	MK.976.64
Philips emblem	MK.704.88
Lid stay	MK.958.05
Brass feet for case	HY.088.26
Carrying handle complete	HY.096.44
Securing catches complete	HY.072.79
Hinges complete	HY.096.45
Felt block on lid	HY.065.00
Ornamental grilles—front and rear	MK.308.13
Ornamental grilles—side and bottom	MK.336.64
Ornamental grille for speaker aperture	MK.476.83
Protecting grille for speaker	MK.251.77
Retaining ring for above	MK.448.83
Felt pad for protecting grille	MK.476.87
Screws for speaker	MK.886.11
Grommet for speaker lead	MK.725.28
Baseboard for record player	MK.399.79
Screws for above—Brass (No. 4 × $\frac{3}{4}$ ")	G7.981.34
Cup washers for above	MK.448.81
Valve position label	PG.006.53
Limited licence label	PG.006.54

CONTROL KNOBS

Control knob—Volume	MK.854.82/Crm.
Control knob—Tone	MK.854.83/Crm.
Grub screws for above (4BA × $\frac{3}{8}$ ")	G7.863.50

RECORD PLAYER UNIT

Short mounting brackets for above (2)	MK.046.89
Long mounting bracket for above	MK.047.13
Rubber bushes for above	MK.725.67
Distance pieces	MK.117.06
Mounting screws (4 × 25mm.)	07.804.25

TURNTABLE ASSEMBLY

Bearing spindle for above	49.935.16
Lock washer, for above	G7.045.43
Nut for above	07.075.16
45 r.p.m. adaptor	P4.380.39/17
Retaining clip for above	MK.750.96

MOTOR ASSEMBLY complete	49.266.24
Screws for above (3 × 20mm.)	07.803.20
Distance pieces for above	49.937.79
Rubber bushes	49.936.00
Mounting springs	49.935.30
Cap discs	49.935.31
Mounting plate for motor	49.938.01
Stator coil assembly	49.927.02
Screws for above (3 × 18mm.)	07.803.19
Threaded distance pieces for above	49.920.92
Rotor assembly	49.924.78
Bearing assembly—top	49.927.04
Bearing assembly—bottom	49.927.05
Steel ball ($\frac{1}{8}$ ")	89.205.02
Stepped spindle	49.938.79
Grub screw for above	49.937.15

SPEED SELECTOR

Operating lever with spindle	HY.110.15
Knob for lever	P4.525.13/Crm.
Locating pins for spindle	07.593.37
Locking spring for above	49.938.02
Rivets for above (2 × 5mm.)	07.136.12
Selector plate assembly	HY.138.93
Stop plate for above	49.938.55
Pressure spring	49.938.07
Circlip for above	07.891.86
Circlip for bottom of spindle	07.891.83
Rubber sleeve for pressure spring	MK.117.07
Drive wheel	49.928.79
Circlip for above	07.891.83
Presspahn washers for drive wheel	49.938.15
Tension spring	49.938.54
Bracket for above	49.921.17

MOULDED COVER PLATE

Screws for above (3 × 25mm.)	07.687.22
Philips emblem	23.654.14

PICK-UP ARM ASSEMBLY

Spring for swivel	49.938.12
Pick-up shaft	49.938.10
Grub screw for above	07.852.05
Circlip for base of spindle	49.939.26
Washers for above	07.014.52
Lead	49.945.48
Pick-up head complete	AG.3010
Resistor 0.47 M.ohm $\frac{1}{4}$ watt 10%	48.550.10/470K

SPARE PARTS LIST—(Contd.)

SWITCH UNIT	A3.186.59
Frame assembly	HY.088.21
Switch contact—moving	HY.072.68
Switch contact—fixed	HY.072.69
Paxolin retaining plate for above	A3.661.53
Insulating spacer for above	A3.661.72
Moulded stop pin	A3.661.61
Contact plunger assembly	23.951.33
Release plate for above	A3.661.56
Operating swivel	A3.661.59
Set screw for above	49.936.06
Spring	A3.661.57
Pin for above	A3.661.58
Moulded operating lever	23.690.85

Socket plate	MK.874.45
Single-pin plug—red	MK.875.54
Single-pin plug—black	MK.875.34
Chassis fixing screws (4 × 15mm.)	07.804.15

SCREWS

2.6 × 4mm.	...	07.802.04	3 × 20mm....	07.803.20
3 × 5mm.	...	07.803.05	3 × 30mm....	07.803.30
3 × 6mm.	...	07.803.06	4 × 8mm. ...	07.804.08
3 × 10mm.	...	07.803.10	4 × 15mm....	07.804.15
3 × 12mm.	...	07.803.12	4 × 25mm....	07.804.25
3 × 18mm.	...	07.803.19		

NUTS

3mm.	...	07.104.30	4mm.	...	07.104.40
------	-----	-----------	------	-----	-----------

WASHERS

3mm.	...	07.014.30	4mm.	...	07.014.40
------	-----	-----------	------	-----	-----------

VALVES

V1	EBC.41
V2	EL84
V3	EZ40

TRANSFORMERS

S1-S3	Mains transformer	MK.514.21
S4/S5	Output transformer	MK.514.23
S6	Loudspeaker	MK.956.45

MISCELLANEOUS

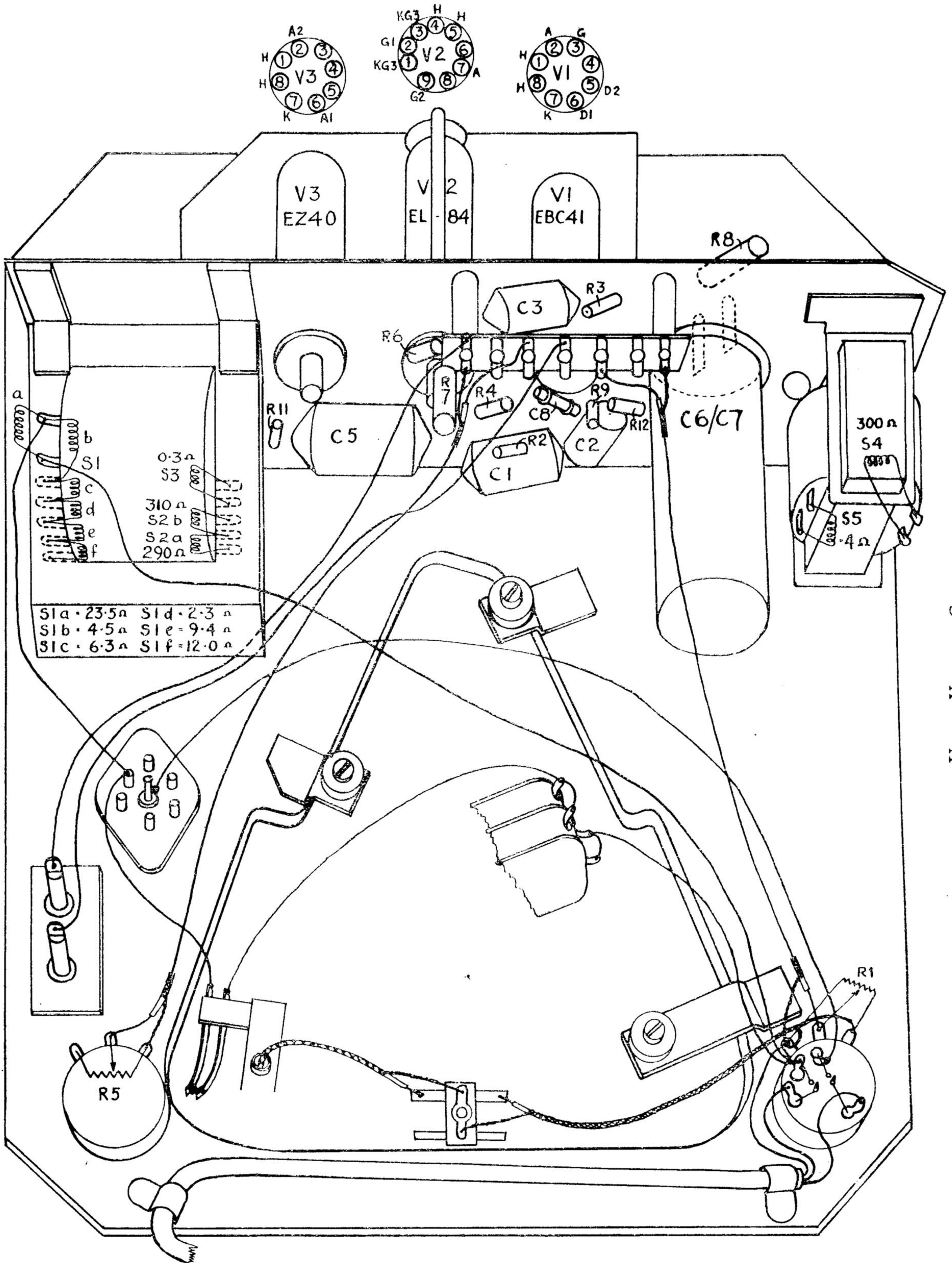
Voltage adjustment plate only	MK.875.51
Voltage adjustment disc	MK.854.69
Valveholders—V1 and V3	MK.225.45
Valveholder—V2	MK.225.43
Valve retainer—V2	MK.894.15
Clamp for C5	A1.524.09
Asbestos washers—large	MK.447.52
Asbestos washers—small	A3.559.14
Mains lead (2 yds.)	K3.975.10
Fixing clip for above	25.038.33
Speaker lead (1 yd.)	K3.975.00/Crm.
Holding clip for mains lead	MK.751.03
Holding clip for speaker lead	MK.751.02
Screws for above (No. 4 × ¼" Brass)	G7.980.26

CAPACITORS

					Working Voltage	Permitted Tolerance	
C1	Paper	0.15 uF	125V	10%	48.750.10/150K
C2	Paper	12,000 pF	125V	10%	48.750.10/12K
C3	Paper	10,000 pF	400V	20%	48.751.10/10K
C5	Paper	4,700 pF	1,000V	10%	48.758.10/4K7
C6/7	Electrolytic	50 + 50 uF	350V		MK.182.35/50 + 50
C8	Ceramic	56 pF		10%	48.406.10/56E

RESISTORS

					Wattage	Permitted Tolerance	
N.B.—Wattage is based upon an ambient temperature of 70°C.							
R1	Potentiometer	0.5M ohm	Log Law		MK.810.60
R2		3,900 ohm	½ watt	10%	48.426.10/3K9
R3		10,000 ohm	½ watt	10%	48.426.10/10K
R4		82,000 ohm	½ watt	20%	48.426.10/82K
R5	Potentiometer	0.5M ohm	Linear Law		MK.810.61
R6		1,000 ohm	½ watt	20%	48.426.10/1K
R7		120 ohm	1 watt	10%	48.427.10/120E
R8		4,700 ohm	1 watt	20%	48.427.10/4K7
R9		0.22M ohm	½ watt	10%	48.426.10/220K
R11		10,000 ohm	½ watt	10%	48.426.10/10K
R12		0.22M ohm	½ watt	20%	48.426.10/220K



UNDER VIEW OF CHASSIS