

Service
Service
Service



Service Manual

CONTENTS

Block diagram 1-1
 Wirng diagram 2-1

Circuit Diagram - Main board

 AMP part 3-1
 Tuner part 4-1

layout diagram - Main board

 Component side view 5-1
 Copper side view 6-1

Display board

 Circuit diagram 7-1
 Layout diagram 8-1

Service parts list 9-1

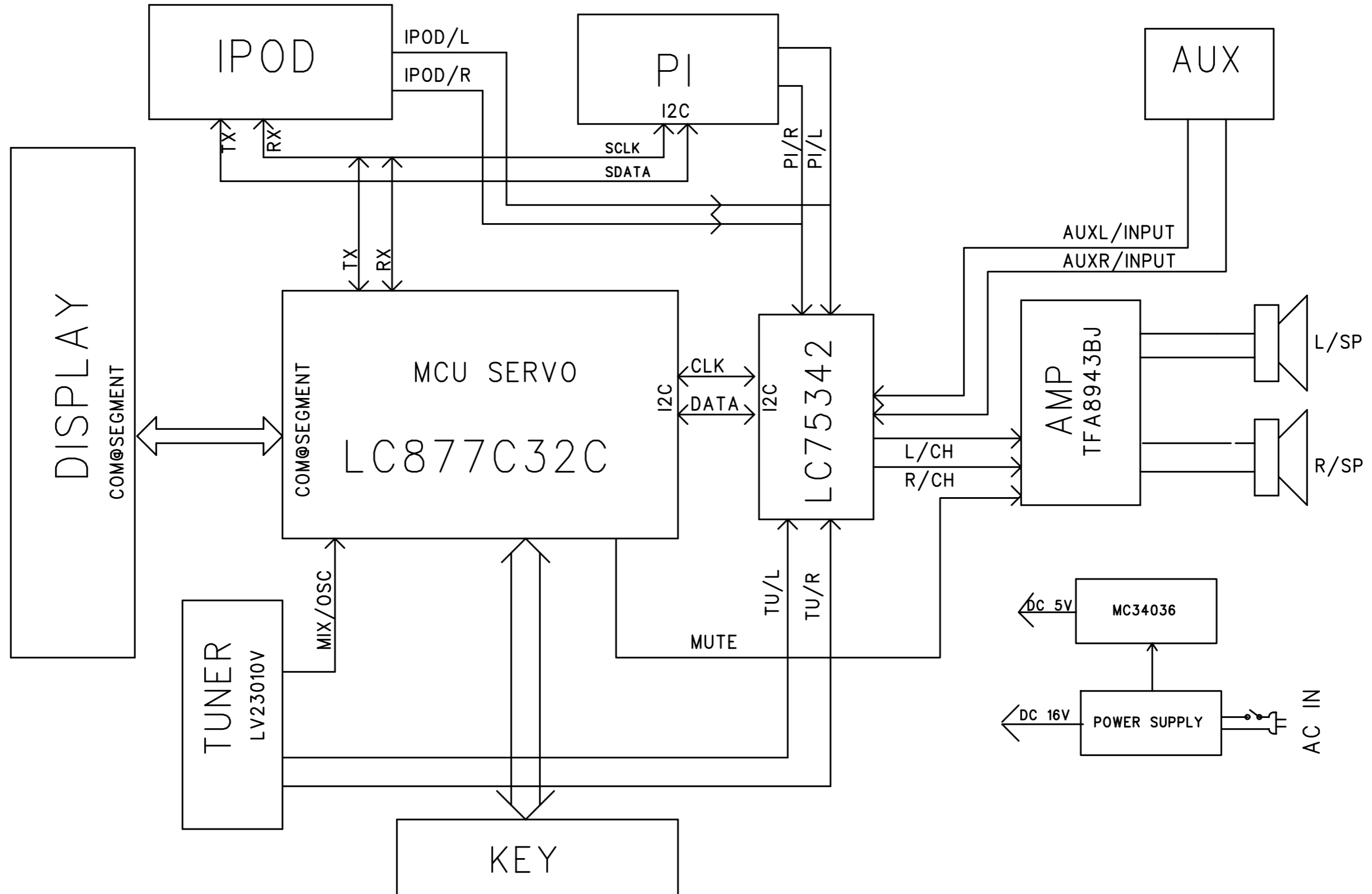
© Copyright 2008 Philips Consumer Electronics B.V. Eindhoven, The Netherlands
 All rights reserved. No part of this publication may be reproduced, stored in a retrieval
 system or transmitted, in any form or by any means, electronic, mechanical, photocopying,
 or otherwise without the prior permission of Philips.



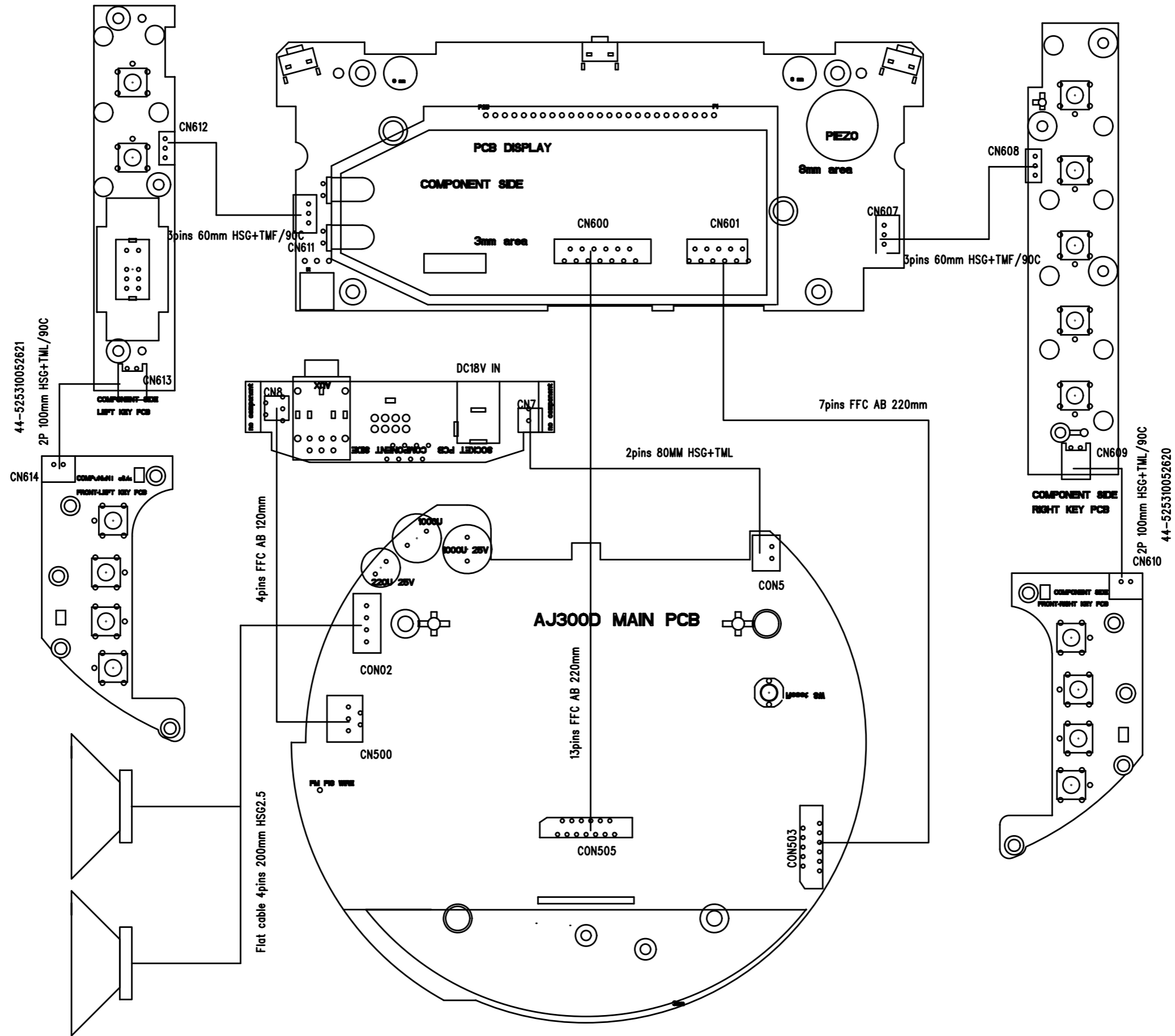
SET BLOCK DIAGRAM

1-1

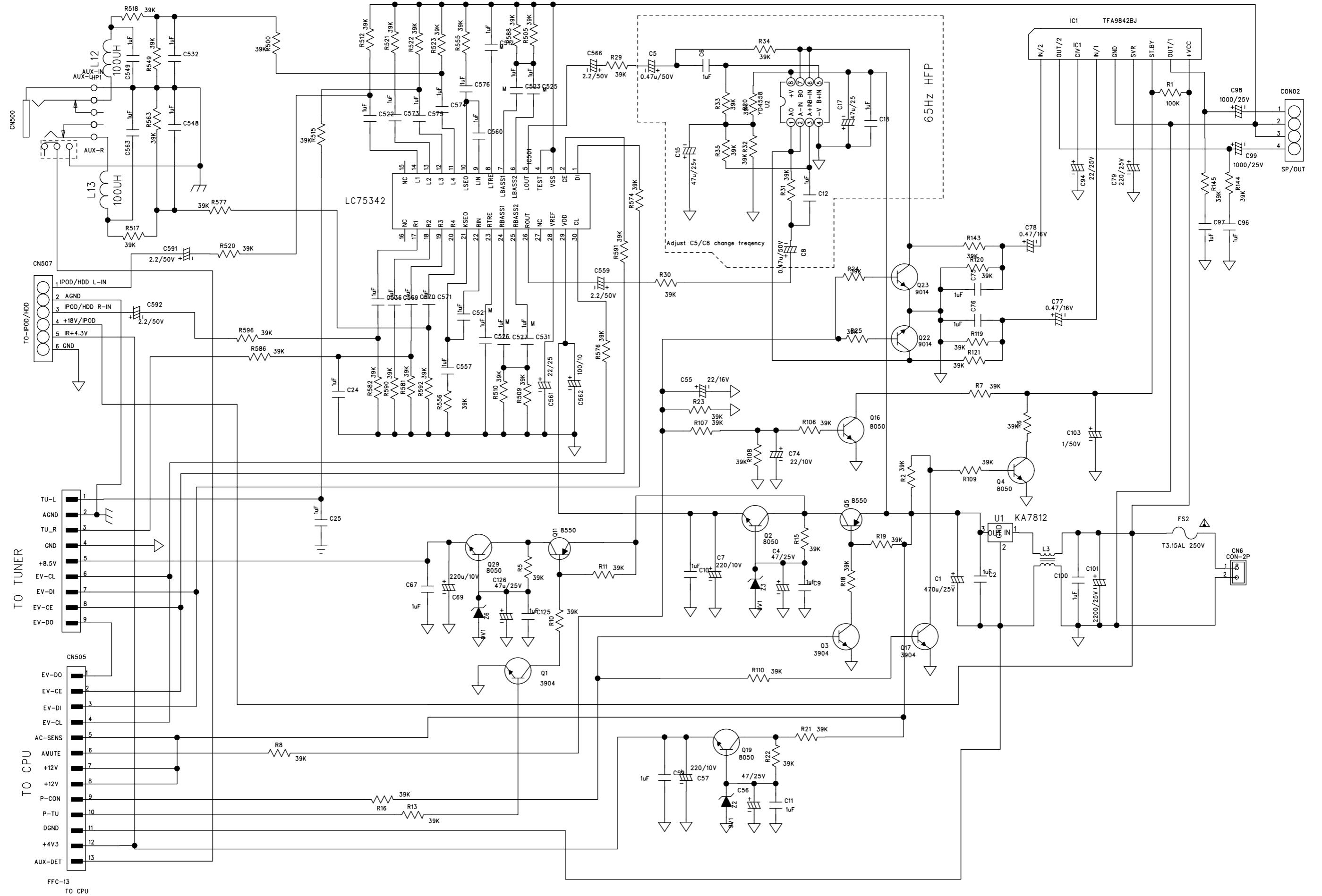
1-1



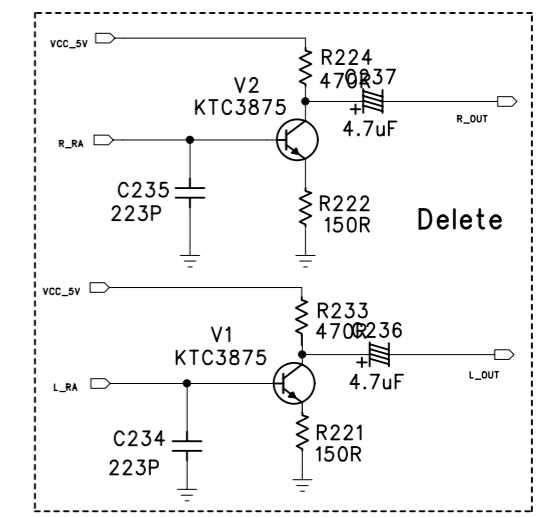
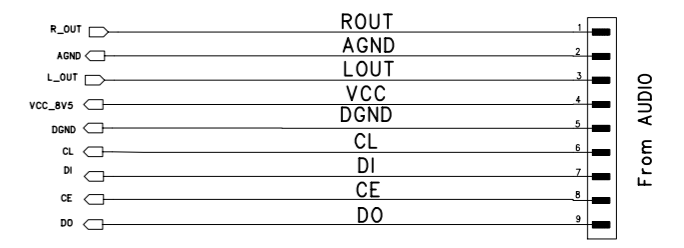
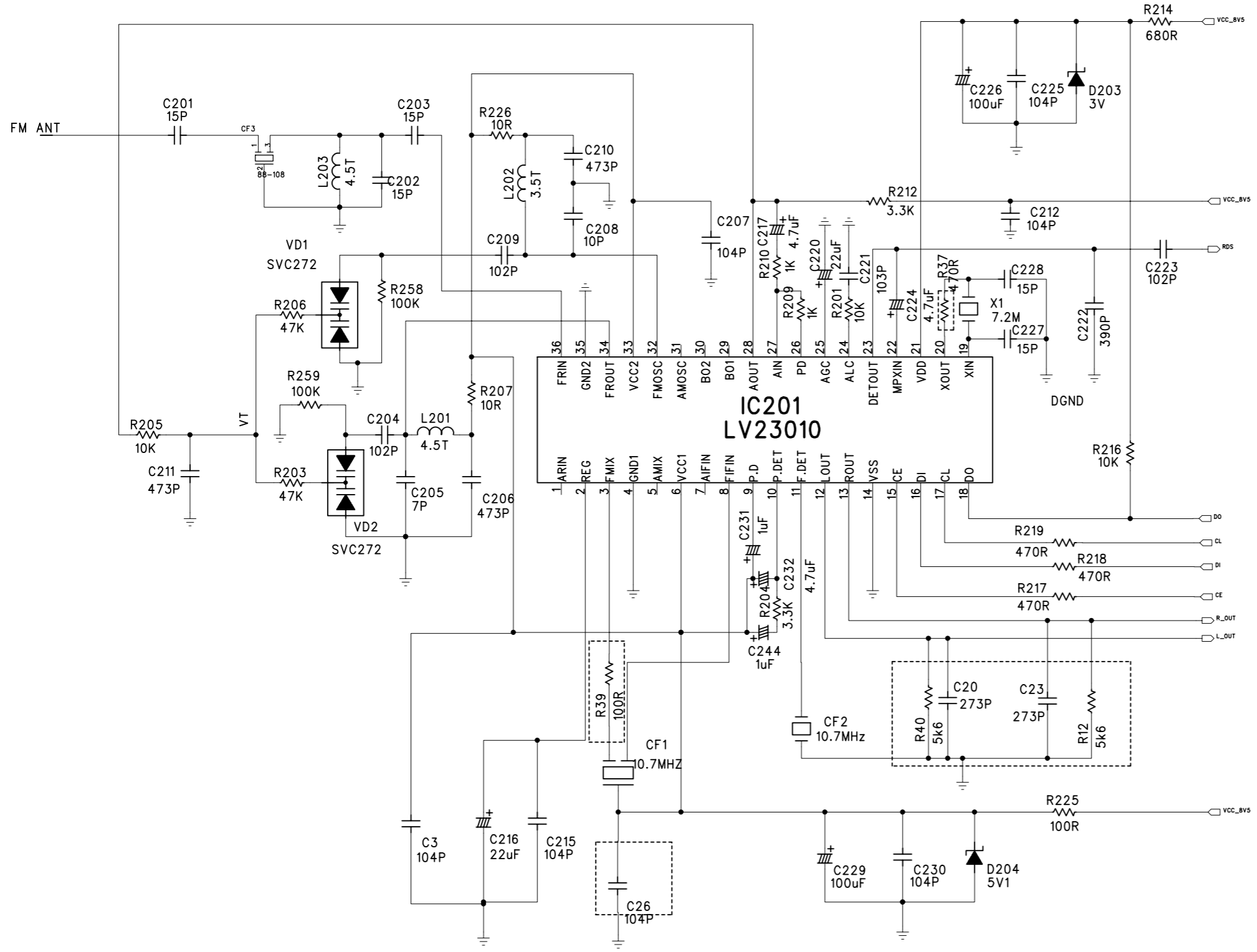
SET WIRING DIAGRAM



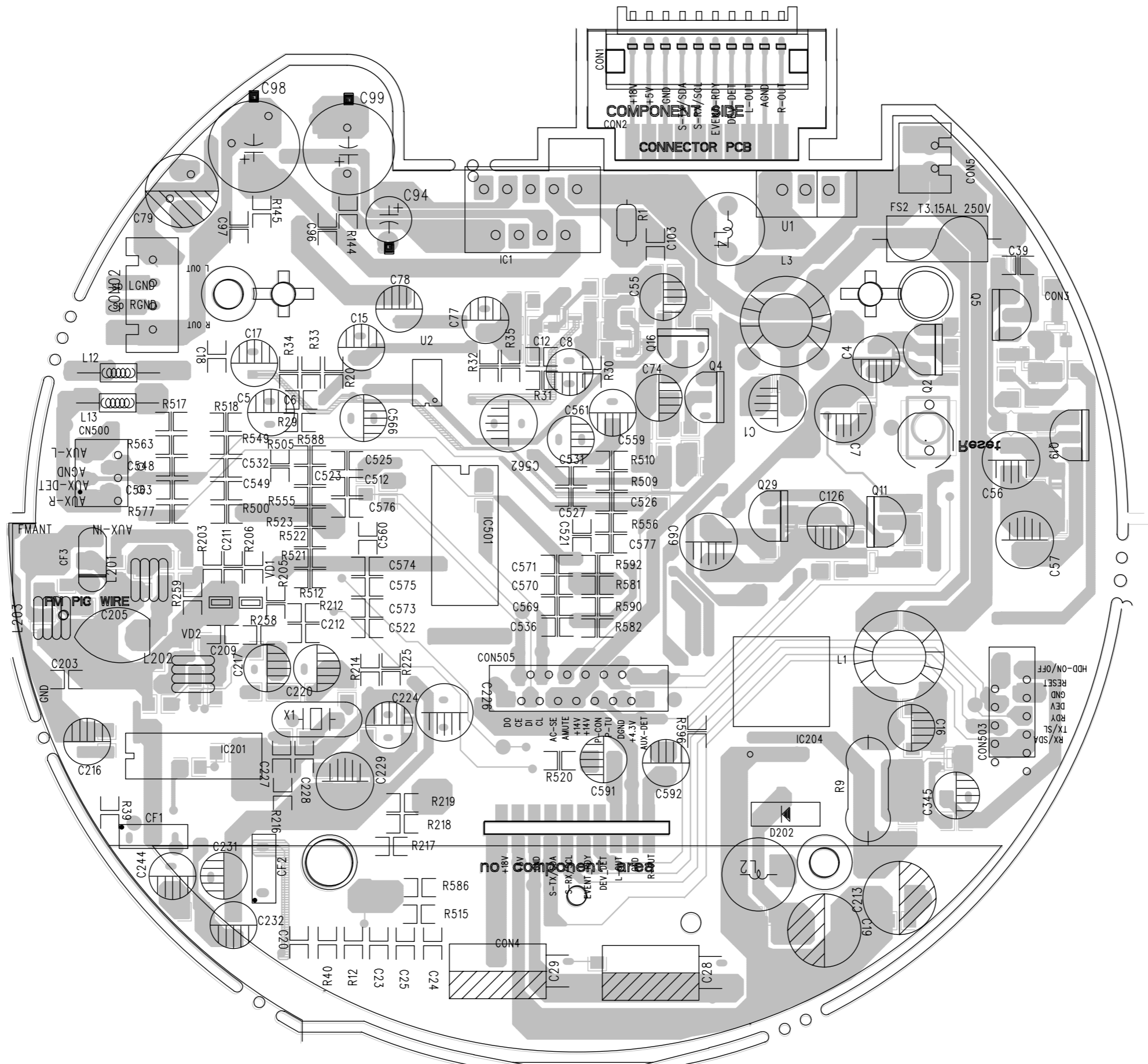
CIRCUIT DIAGRAM - MAIN BOARD AMP PART



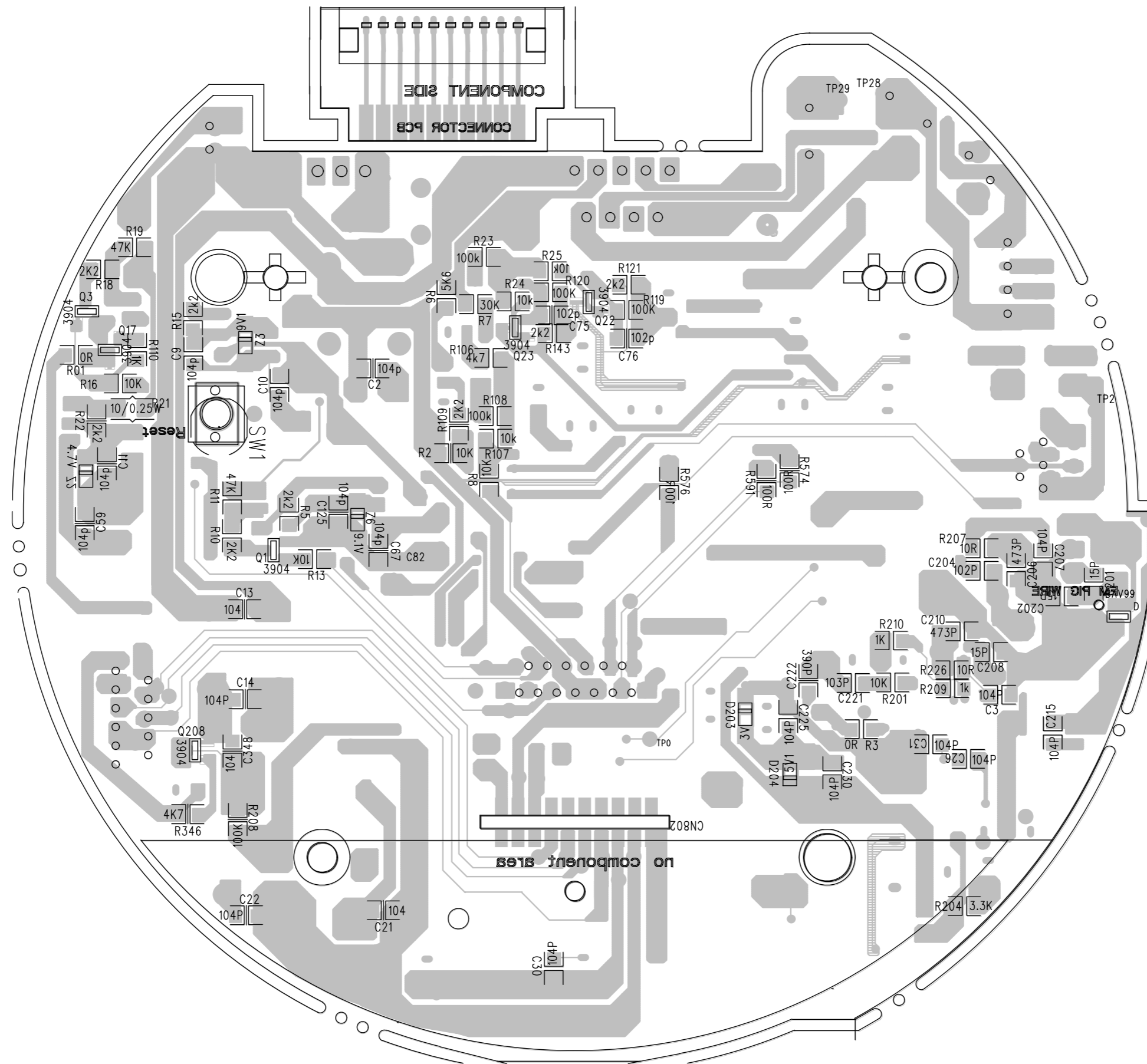
CIRCUIT DIAGRAM - MAIN BOARD TUNER PART



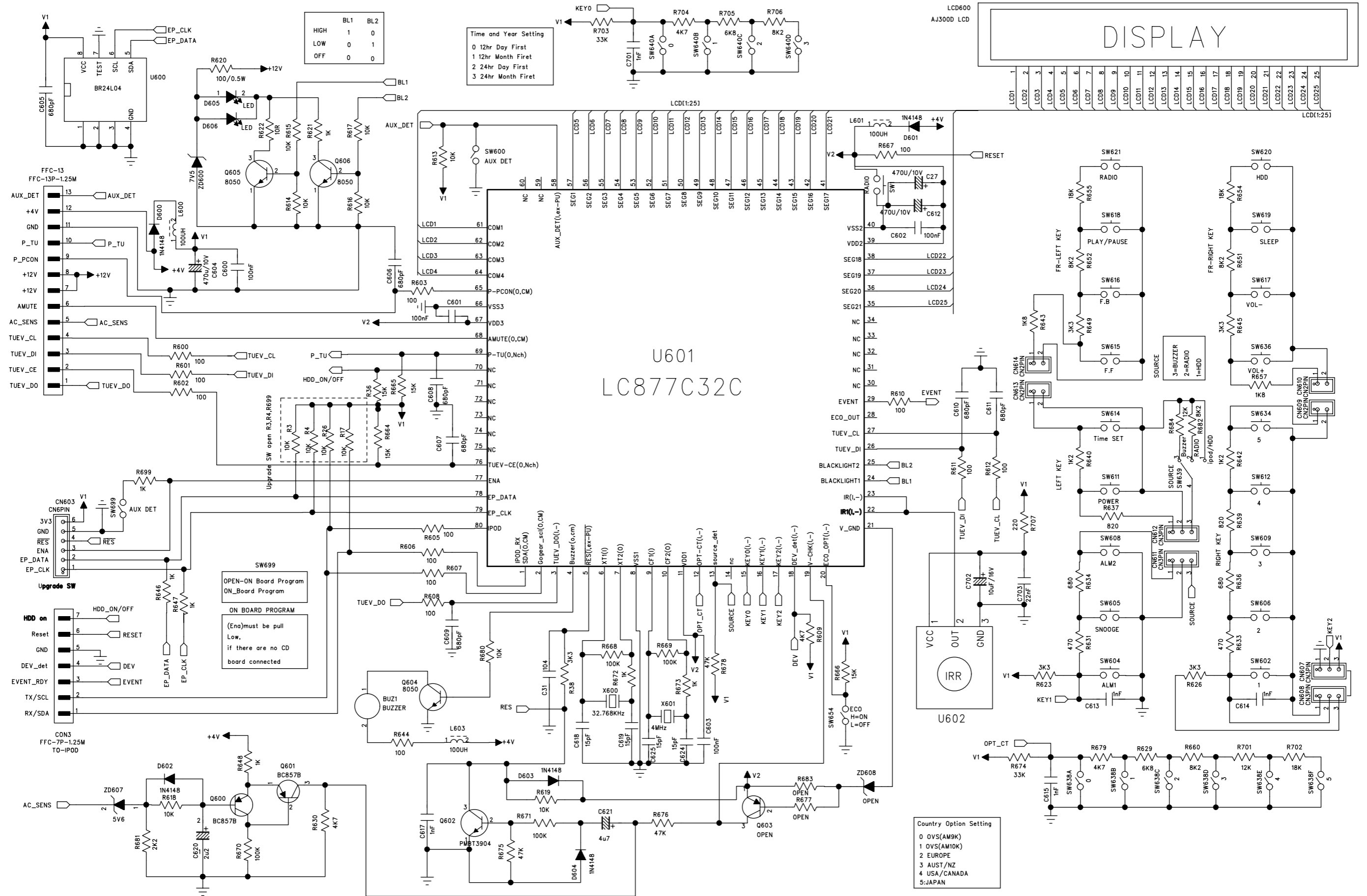
LAYOUT DIAGARM - MAIN BOARD COMPONENT SIDE VIEW



LAYOUT DIAGRAM - MAIN BOARD
COPPER SIDE VIEW



CIRCUIT DIAGRAM - DISPLAY BOARD



U601
LC877C32C

Country Option Setting

0	OVS(AM9K)
1	OVS(AM10K)
2	EUROPE
3	AUST/NZ
4	USA/CANADA
5	JAPAN

Upgrade SW

1	OPEN-ON Board Program
2	ON Board Program

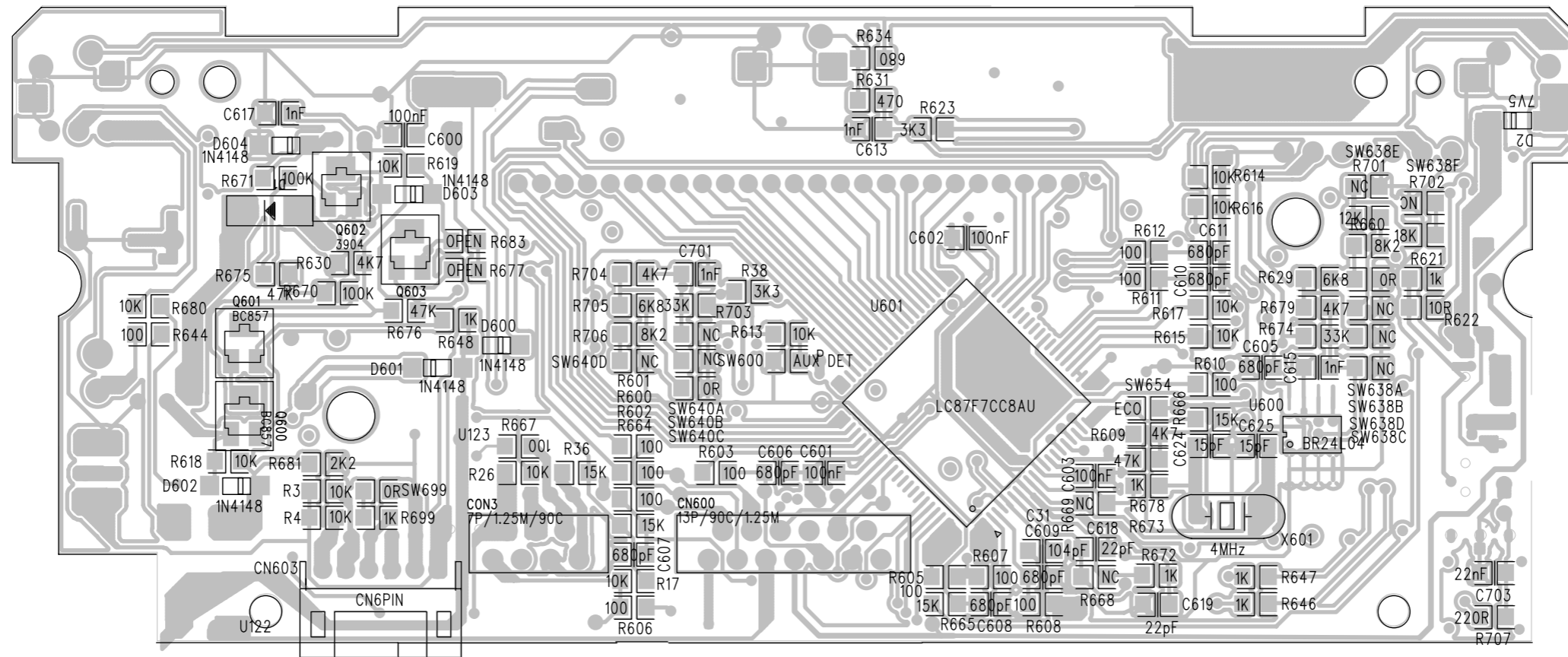
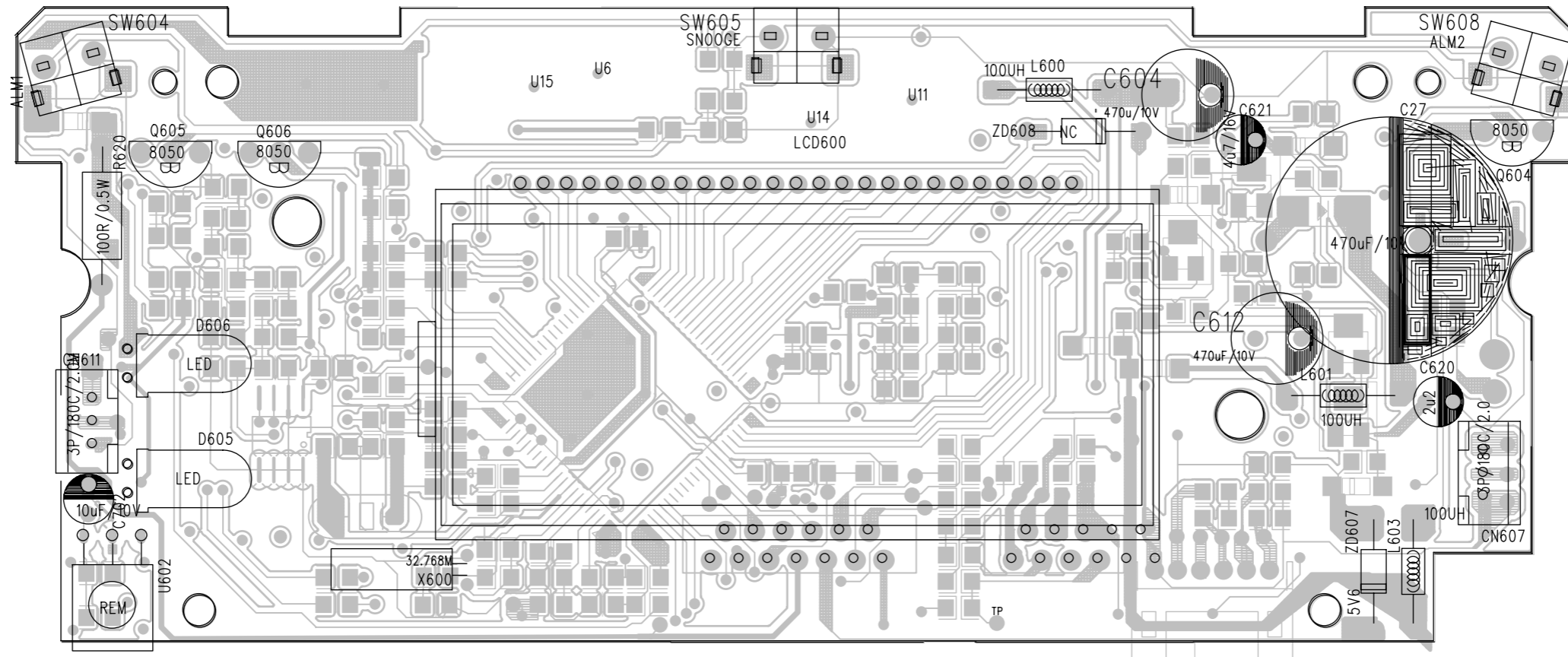
(Epo) must be pull Low, if there are no CD board connected

Time and Year Setting

0	12hr Day First
1	12hr Month First
2	24hr Day First
3	24hr Month First

DISPLAY

LAYOUT DIAGRAM - DISPLAY BOARD



Service parts list

151	996510010601	LEFT PANEL
152	996510008154	RIGHT PANEL (HIPS,94HB)
153	996510008155	FRONT CAB (HIPS,94HB)
154	996510008156	REAR CAB (ABS,94HB) ROHS
S001	996510010598	SPEAKER 5W 3
171	996510008167	DISPLAY LENS (PMMA) ROHS
158	996510010602	IPOD ADAPTOR
159	996500039798	IPOD HOLDER -20GB
160	996500039799	IPOD HOLDER -30GB VIDEO 6G
161	996500039800	IPOD HOLDER -30GB PHOTO 7G
162	996500039801	IPOD HOLDER -40GB 7G
163	996500039802	IPOD HOLDER -60GB 6G
164	996500039803	IPOD HOLDER -60GB VIDEO 6G
165	996510000837	IPOD HOLDER -NANO 7G WHITE-1
166	996500039805	IPOD HOLDER -MINI 6G
J006	996510000428	CONNECT CORD 3.5mmST/PLUGx2
T001	996510000433	AC ADAPTER 90-264V (only for -/79)
T001	996510017394	AC ADAPTER 90-264V (only for -/12)
4	996510000426	REMOTE CONTROL
13	996510012146	IPOD HOLDER NANO 1G 2G 3G
14	996510012147	IPOD HOLDER -TOUCH ABS0
15	996510012148	IPOD HOLDER 5G 30GB GLASS 80GB
16	996510012149	IPOD HOLDER 5G 60GB 80GB

Note: Only these parts mentioned in the list are normal service parts.