

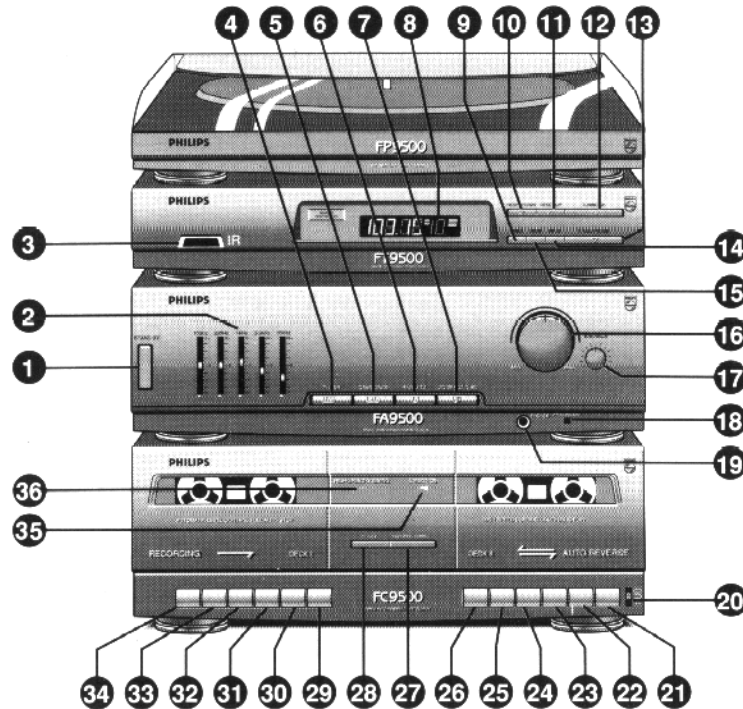
Service
Service
Service

www.rtvcenter.com
repairtips, servicemanuals
forum, chassispictures...

For repair information of the cassette mechanism
see Service Manual of Recorders tape deck RN-1
and RR-1

For repair information of the Record player
see Service Manual of Record player HP7D277-1

Service Manual



SELF-TEST PROCEDURE

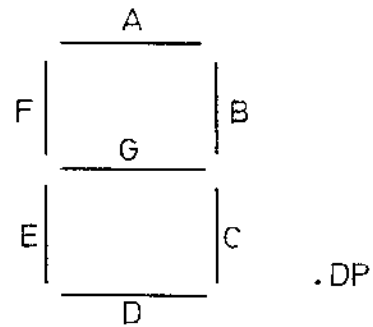
When holding the program-key and preset-key down during power up the EEROM is loaded after which the display lights completely until both keys are released.

The loaded information are as follows:

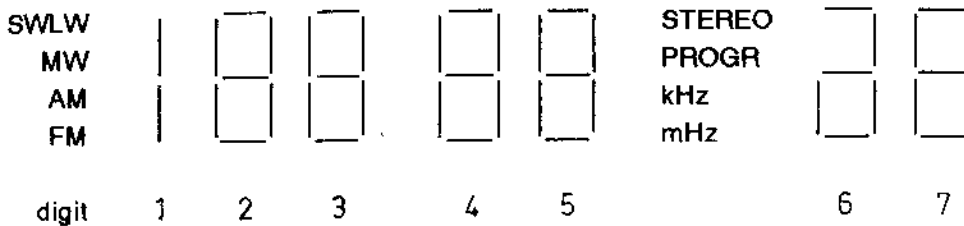
Preset	Frequency			Band
		POL	USA	FM
0	87.50	65.00	87.5	
1	97.00	65.00	106.5	
2	98.00	65.00	87.5	
3	99.00	65.00	87.5	
4	108.00	65.00	87.5	
			USA	MW
5	522		530	
6	567		580	
7	603		620	
8	1278		1370	
9	1494		1610	
10	1611			
				LW
11	148			
12	155			
13	200			
14	275			
15	284			
		EUR		SW
16	3820	5820		
17	3900	5900		
18	11900	13900		
19	12100	14100		

LCD Display / uProcessor Interconnection

COM2	COM1	LCD Pin	uProc Pin
7C	7D	26	43
7G	7E	25	44
7B	7F	24	45
6B	7A	23	46
5C	5D	22	47
5G	5E	21	48
5B	5F	20	49
KHZ	5A	19	50
4C	4D	18	51
4G	4E	17	52
4B	4F	16	53
LW	4A	15	54
3C	3D	14	55
3G	3E	13	56
3B	3F	12	57
SW	3A	11	59
2C	2D	10	60
2G	2E	9	61
2B	2F	8	62
1BC	2A	7	63
MW	MHZ,FM,DP	6	64
PROGR	AM	5	1
STEREO	6ADG	4	2
6E	6C	3	3
COM2	-	2	5
-	COM1	1	4



LCD Display

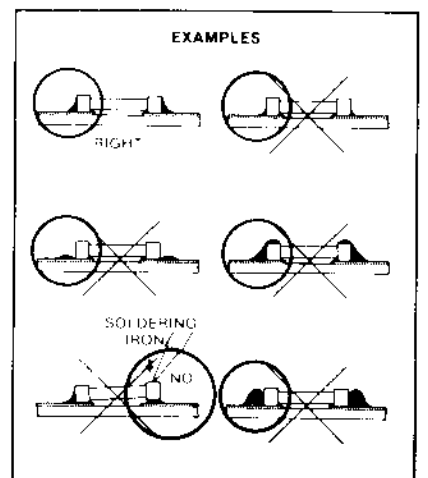
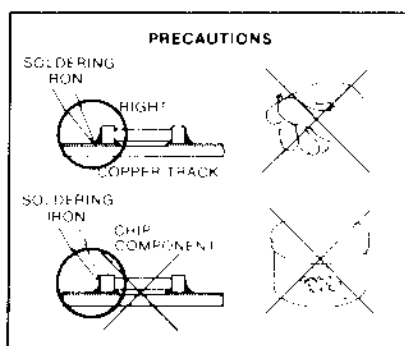
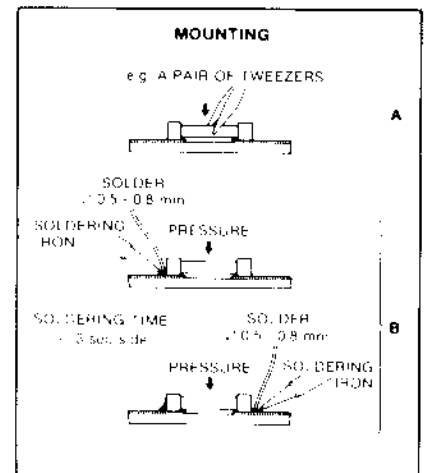
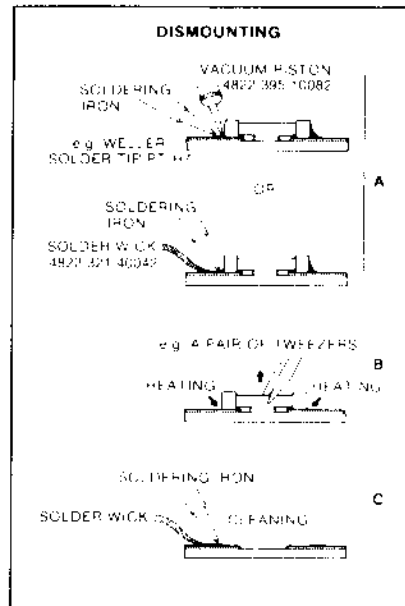
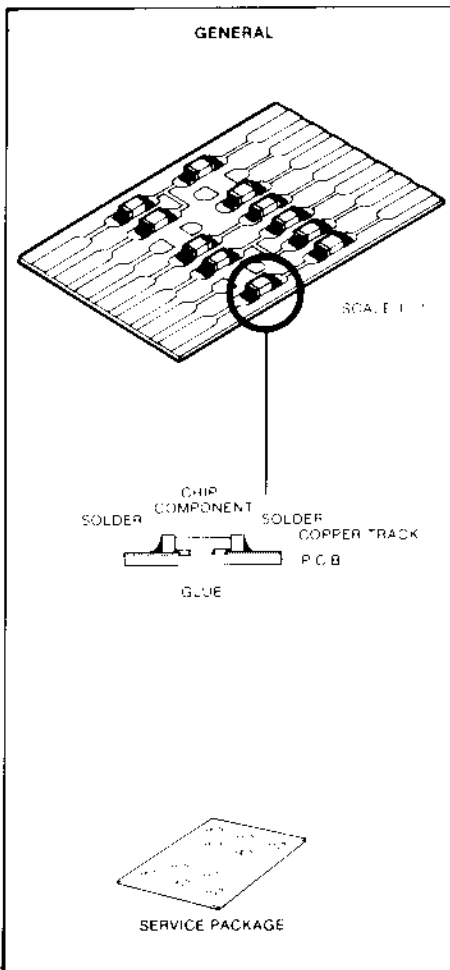


ADJUSTMENT	CASSETTE	Recorder position			MEASURE ON	READ ON	ADJUST WITH	ADJUST TO
		SK...	DECK I	DECK II				
Azimuth	10KHz SBC 420*	Tape	Play	-	1256	mV-meter	Left hand Screw Play head	Max. L = R
		Tape	-	Play fwd	1256	mV-meter	Left hand Screw R/P Head	
		Tape	-	Play rev	1256	mV-meter	Right hand Screw R/P Head	
Motor speed (Normal)	3150Hz SBC420*	Tape	Play	-	1256	Wow and Flutter meter	3802	** a
		Tape	-	Play	1256	Wow and Flutter meter	3808	
Motor speed (high)	3150Hz SBC420*	Tape HS Dubbing	Record	Play	1256	Frequency counter	3820	5670Hz +/-56Hz

* SBC 420 : 4822 397 30071

** a The maximum permissible speed deviation is 2%.
Moreover, the wow and flutter value can be read.
This value should not exceed 0.35%.

HANDLING CHIP COMPONENTS

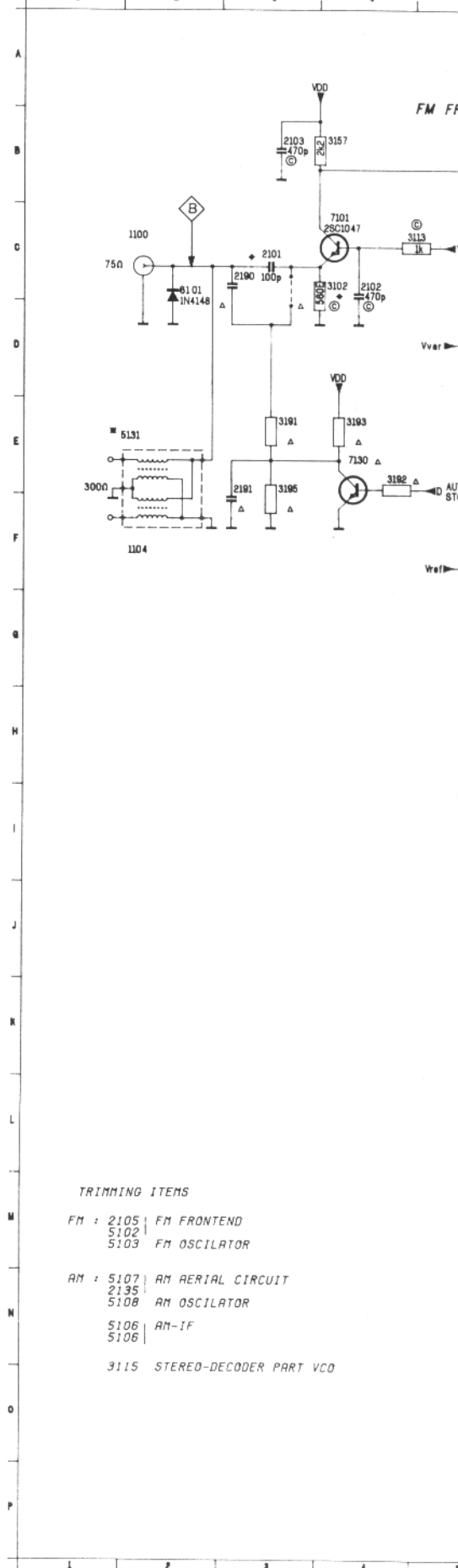


+Vc - 7.4V FM
8.1V AM
Vref - 1.2V

7116	
	FM AM
1	- 1.7V 1.7V
2	- - -
3	- - -
4	- - -
5	- - -
6	- 0.2V 4.9V
7	- 0V 0V
8	- 3.8V 0.2V
9	- 1.3V 0V
10	- 0.7V 0.7V
11	- 0.1V 0.1V
12	- 0.1V 0.1V
13	- 0.1V 1.8V
14	- 2.8V 0.1V
15	- 5.6V 5.7V
16	- 5.6V 5.7V
17	- - -
18	- 1.0V 1.0V
19	- 0V 0V
20	- 0.9V 0.9V

7117	
	FM AM
1	- 0V 1.0V
2	- 1.4V 1.5V
3	- 0.2V 1.0V
4	- 3.2V 3.2V
5	- 2.4V 2.4V
6	- 2.4V 2.4V
7	- 7.4V 8.1V
8	- 3.8V 3.8V
9	- 1.4V 1.3V
10	- 1.0V 1.2V
11	- 0V 0V
12	- 0.1V 0.2V
13	- 1.3V 0V
14	- 0V 0V
15	- 1.3V 0V
16	- 0.2V 0V
17	- 0V 0V
18	- 0.3V 0V
19	- 1.2V 1.2V
20	- 1.2V 1.2V
21	- 1.2V 1.2V
22	- 1.2V 1.2V
23	- 1.2V 1.2V
24	- 1.2V 1.2V
25	- 0.2V 0V
26	- 3.2V 3.8V
27	- 1.4V 1.4V
28	- 1.6V 1.6V
29	- 1.0V 1.0V
30	- 0V 0V

1105 P22 2104 C 9 2108 H 7 2112 R12 2116 E12 2120 R19 2124 Q24 2128
2101 C 3 2105 B 6 2109 G 6 2113 R15 2117 F14 2121 C21 2125 Q24 2129
2102 C 4 2106 F 9 2110 B 7 2114 B14 2118 F15 2122 C20 2126 Q25 2130
2103 B 3 2107 F 8 2111 F 5 2115 B20 2119 E19 2123 F25 2127 F19 2131



TRIMMING ITEMS
 FM : 2105 | FM FRONTEND
 5102 |
 5103 | FM OSCILATOR
 AM : 5107 | AM AERIAL CIRCUIT
 2135 |
 5108 | AM OSCILATOR
 5106 | AM-IF
 5106 |
 3115 | STEREO-DECODER PART VCO

0	R19	2124	Q24	2128	E12	2132	I11	2136	N 7	2140	J11	2145	L14	2148	K21	2153	J19	2158	C 6	2164	B 7	2180	C 3	3102	C 3	3107	810	3111	Q24	3115	F19	3119	017	3123	G14	3128	J10	3132	M11	3136	L15	3140	H25	3144	I21	3148	J24	3152	K21	3156	L24	3160	M21	3164	N24	3168	O21	3172	P24	3176	Q24	3180	R21	3184	S24	3188	T21	3192	U24	3196	V21	3200	W24	3204	X21	3208	Y24	3212	Z21	3216	AA24	3220	AB21	3224	AC24	3228	AD21	3232	AE24	3236	AF21	3240	AG24	3244	AH21	3248	AI24	3252	AJ21	3256	AK24	3260	AL21	3264	AM24	3268	AN21	3272	AO24	3276	AP21	3280	AQ24	3284	AR21	3288	AS24	3292	AT21	3296	AU24	3300	AV21	3304	AW24	3308	AX21	3312	AY24	3316	AZ21	3320	BA24	3324	BB21	3328	BC24	3332	BD21	3336	BE24	3340	BF21	3344	BG24	3348	BH21	3352	BI24	3356	BJ21	3360	BK24	3364	BL21	3368	BM24	3372	BN21	3376	BO24	3380	BP21	3384	BQ24	3388	BR21	3392	BS24	3396	BT21	3400	BU24	3404	BV21	3408	BW24	3412	BX21	3416	BY24	3420	BZ21	3424	CA24	3428	CB21	3432	CC24	3436	CD21	3440	CE24	3444	CF21	3448	CG24	3452	CH21	3456	CH24	3460	CI21	3464	CI24	3468	CJ21	3472	CJ24	3476	CK21	3480	CK24	3484	CL21	3488	CL24	3492	CM21	3496	CM24	3500	CM24	3504	CN21	3508	CN24	3512	CO21	3516	CO24	3520	CO24	3524	CP21	3528	CP24	3532	CQ21	3536	CQ24	3540	CQ24	3544	CR21	3548	CR24	3552	CR24	3556	CS21	3560	CS24	3564	CS24	3568	CT21	3572	CT24	3576	CT24	3580	CT24	3584	CU21	3588	CU24	3592	CU24	3596	CV21	3600	CV24	3604	CV24	3608	CV24	3612	CV24	3616	CV24	3620	CV24	3624	CV24	3628	CV24	3632	CV24	3636	CV24	3640	CV24	3644	CV24	3648	CV24	3652	CV24	3656	CV24	3660	CV24	3664	CV24	3668	CV24	3672	CV24	3676	CV24	3680	CV24	3684	CV24	3688	CV24	3692	CV24	3696	CV24	3700	CV24	3704	CV24	3708	CV24	3712	CV24	3716	CV24	3720	CV24	3724	CV24	3728	CV24	3732	CV24	3736	CV24	3740	CV24	3744	CV24	3748	CV24	3752	CV24	3756	CV24	3760	CV24	3764	CV24	3768	CV24	3772	CV24	3776	CV24	3780	CV24	3784	CV24	3788	CV24	3792	CV24	3796	CV24	3800	CV24	3804	CV24	3808	CV24	3812	CV24	3816	CV24	3820	CV24	3824	CV24	3828	CV24	3832	CV24	3836	CV24	3840	CV24	3844	CV24	3848	CV24	3852	CV24	3856	CV24	3860	CV24	3864	CV24	3868	CV24	3872	CV24	3876	CV24	3880	CV24	3884	CV24	3888	CV24	3892	CV24	3896	CV24	3900	CV24	3904	CV24	3908	CV24	3912	CV24	3916	CV24	3920	CV24	3924	CV24	3928	CV24	3932	CV24	3936	CV24	3940	CV24	3944	CV24	3948	CV24	3952	CV24	3956	CV24	3960	CV24	3964	CV24	3968	CV24	3972	CV24	3976	CV24	3980	CV24	3984	CV24	3988	CV24	3992	CV24	3996	CV24	4000	CV24
---	-----	------	-----	------	-----	------	-----	------	-----	------	-----	------	-----	------	-----	------	-----	------	-----	------	-----	------	-----	------	-----	------	-----	------	-----	------	-----	------	-----	------	-----	------	-----	------	-----	------	-----	------	-----	------	-----	------	-----	------	-----	------	-----	------	-----	------	-----	------	-----	------	-----	------	-----	------	-----	------	-----	------	-----	------	-----	------	-----	------	-----	------	-----	------	-----	------	-----	------	------	------	------	------	------	------	------	------	------	------	------	------	------	------	------	------	------	------	------	------	------	------	------	------	------	------	------	------	------	------	------	------	------	------	------	------	------	------	------	------	------	------	------	------	------	------	------	------	------	------	------	------	------	------	------	------	------	------	------	------	------	------	------	------	------	------	------	------	------	------	------	------	------	------	------	------	------	------	------	------	------	------	------	------	------	------	------	------	------	------	------	------	------	------	------	------	------	------	------	------	------	------	------	------	------	------	------	------	------	------	------	------	------	------	------	------	------	------	------	------	------	------	------	------	------	------	------	------	------	------	------	------	------	------	------	------	------	------	------	------	------	------	------	------	------	------	------	------	------	------	------	------	------	------	------	------	------	------	------	------	------	------	------	------	------	------	------	------	------	------	------	------	------	------	------	------	------	------	------	------	------	------	------	------	------	------	------	------	------	------	------	------	------	------	------	------	------	------	------	------	------	------	------	------	------	------	------	------	------	------	------	------	------	------	------	------	------	------	------	------	------	------	------	------	------	------	------	------	------	------	------	------	------	------	------	------	------	------	------	------	------	------	------	------	------	------	------	------	------	------	------	------	------	------	------	------	------	------	------	------	------	------	------	------	------	------	------	------	------	------	------	------	------	------	------	------	------	------	------	------	------	------	------	------	------	------	------	------	------	------	------	------	------	------	------	------	------	------	------	------	------	------	------	------	------	------	------	------	------	------	------	------	------	------	------	------	------	------	------	------	------	------	------	------	------	------	------	------	------	------	------	------	------	------	------	------	------	------	------	------	------	------	------	------	------	------	------	------	------	------	------	------	------	------	------	------	------	------	------	------	------	------	------	------	------	------	------	------	------	------	------	------	------	------	------	------	------	------	------	------	------	------	------	------	------	------	------	------	------	------	------	------	------

FM FRONTEND

FM OSCILLATOR

AM OSCILLATOR

Ferroopter

LOOPFILTER

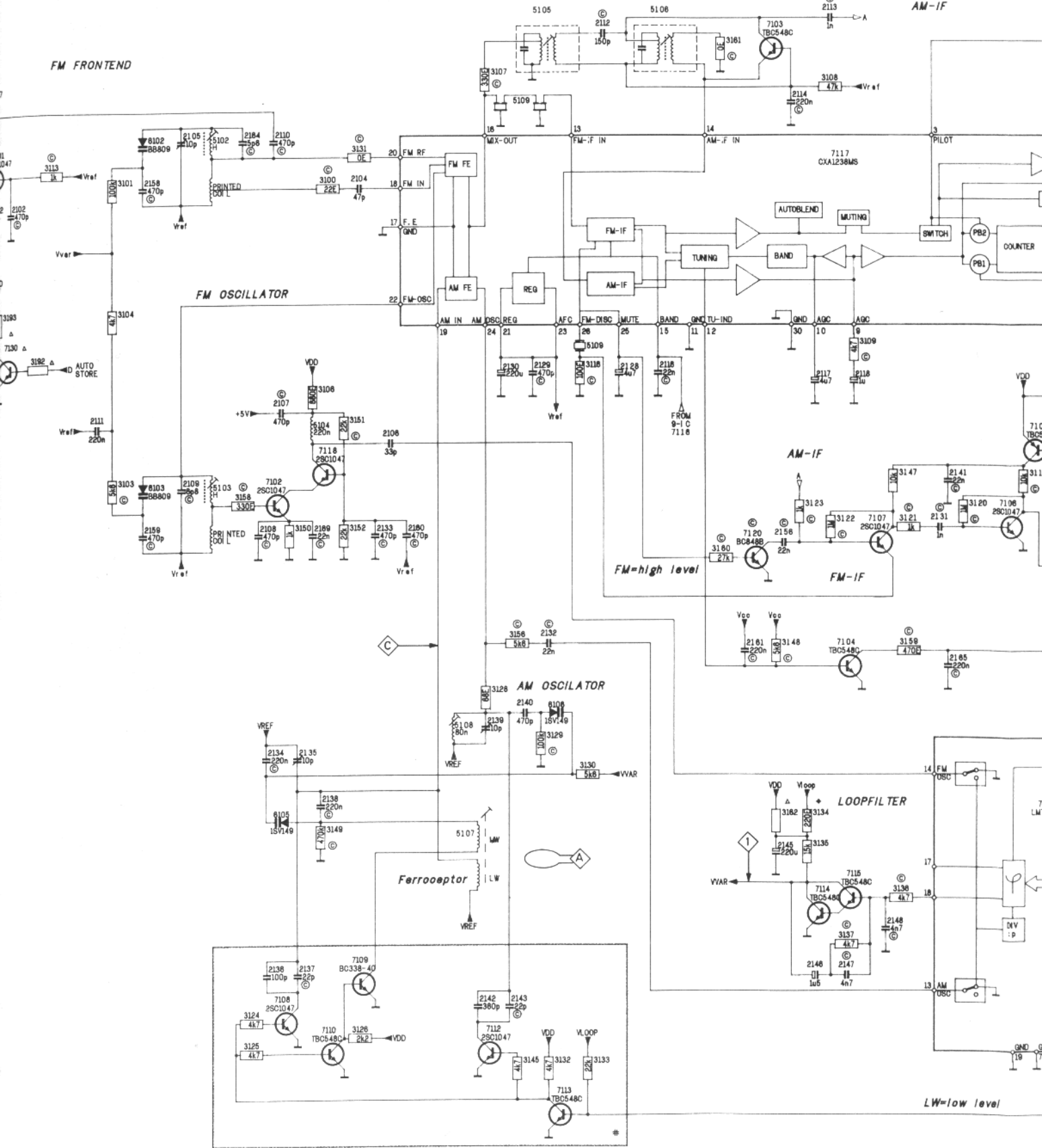
AM-IF

AM-IF

FM-high level

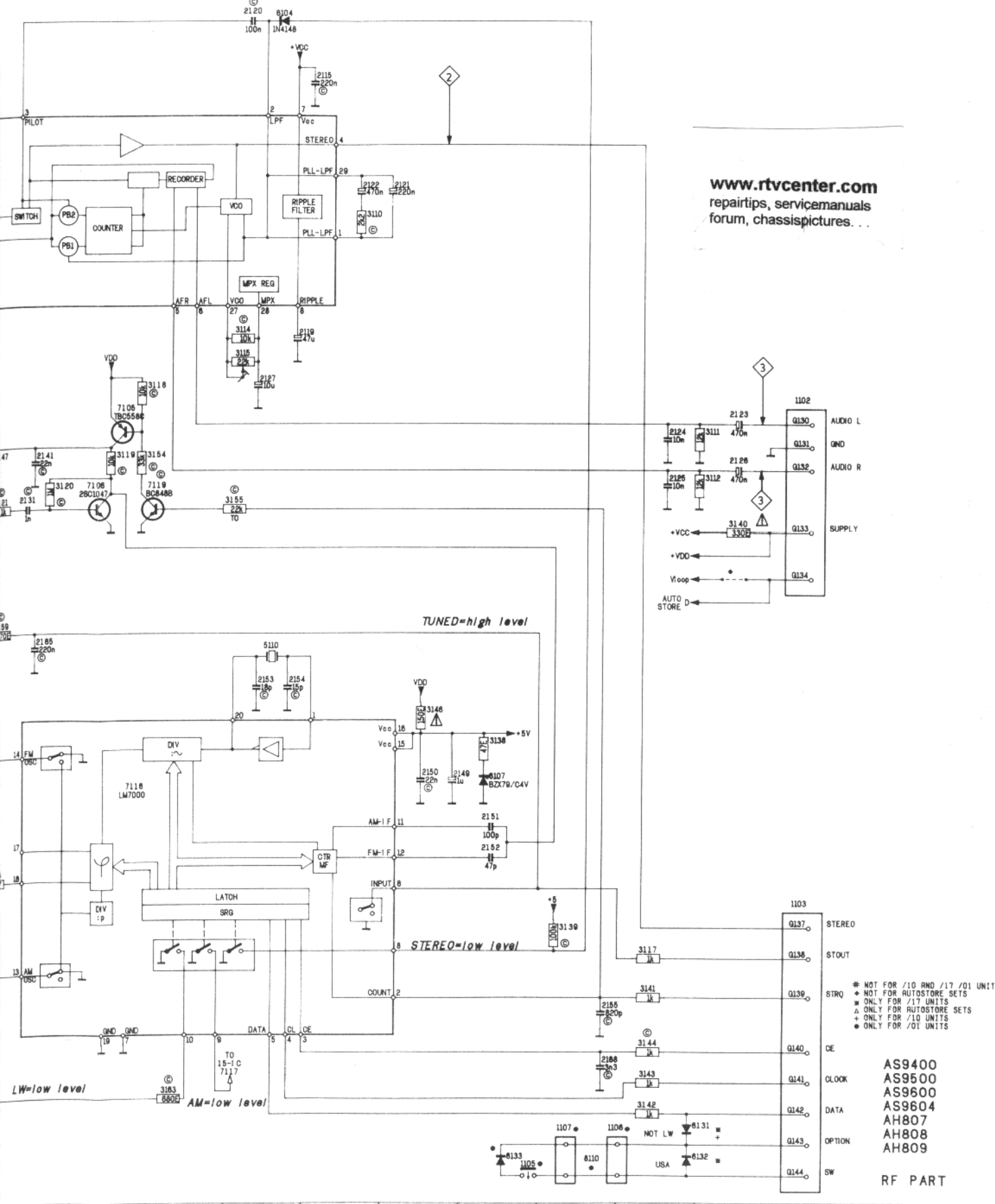
FM-IF

LW=low level



11 3136 L15 3140 M25 3144 N24 3148 I14 3152 H 8 3157 B 3 3161 A13 3192 E 4 5103 D 7 5107 L10 6101 C 2 8105 X 8 6132 P24 7103 R14 7107 G15 7112 N10 7116 K17 7120 H14
 12 3137 M15 3141 N24 3145 N10 3149 K 8 3154 G17 3158 G 7 3162 M14 3193 E 4 5104 F 8 5108 J10 6102 B 6 6106 J11 6133 P22 7104 I15 7108 N 8 7113 O11 7117 C15 7130 E 4
 13 3138 M22 3142 O24 3146 J21 3150 H 8 3155 G19 3159 I16 3163 O18 3195 E 3 5105 A11 5109 E11 6103 D 6 6107 K22 7101 C 4 7105 F17 7109 N 9 7114 L14 7118 G 8
 14 3139 M23 3143 O24 3147 O15 3151 F 8 3156 I11 3160 M13 3191 E 3 5102 C 7 5106 A12 5110 I19 6104 A19 6131 O24 7102 G 7 7106 G17 7110 N 8 7115 L15 7119 G18

AM-IF



www.rtvcenter.com
 repairtips, servicemanuals
 forum, chassispictures...

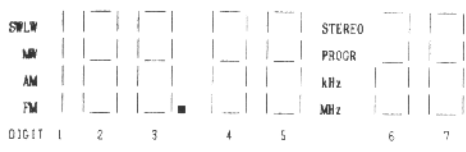
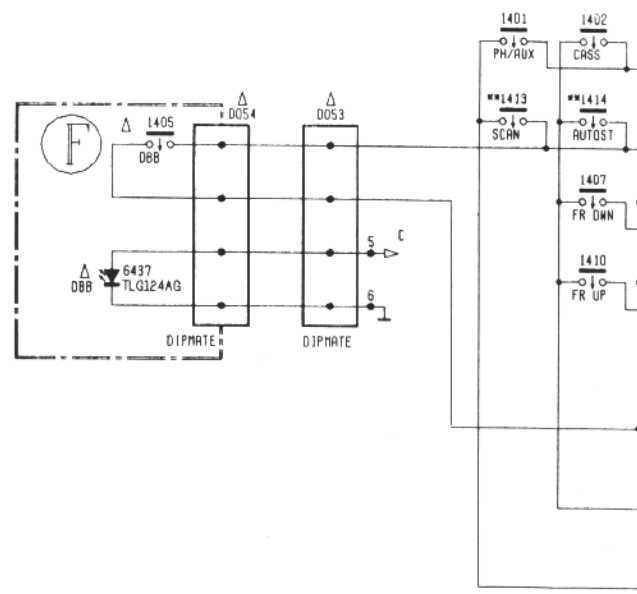
- * NOT FOR /10 AND /17 /01 UNITS
- + NOT FOR AUTOSTORE SETS
- Δ ONLY FOR /17 UNITS
- △ ONLY FOR AUTOSTORE SETS
- + ONLY FOR /10 UNITS
- ONLY FOR /01 UNITS

AS9400
 AS9500
 AS9600
 AS9604
 AH807
 AH808
 AH809

RF PART

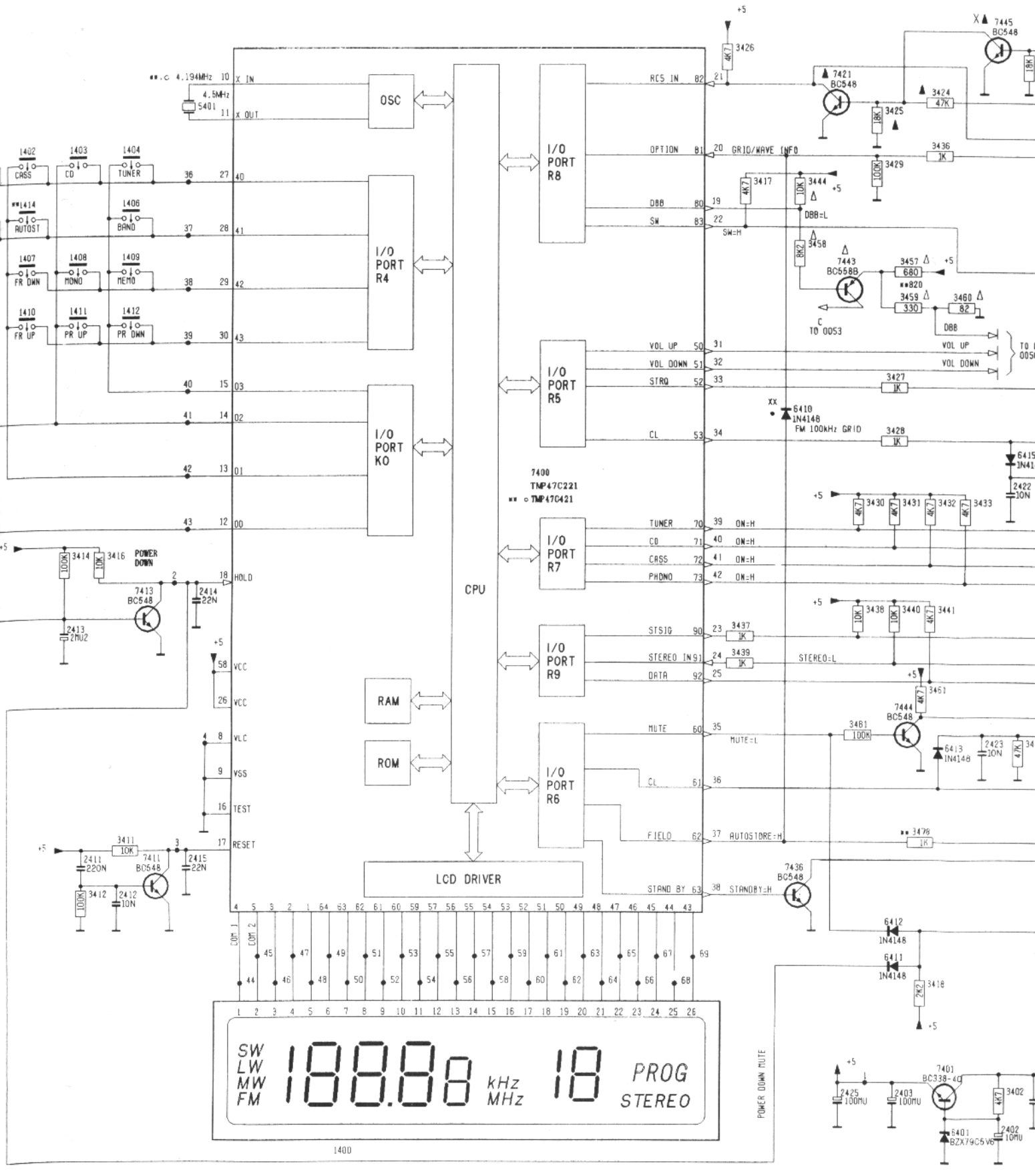
A
B
C
D
E
F
G
H
I
J
K
L
M
N

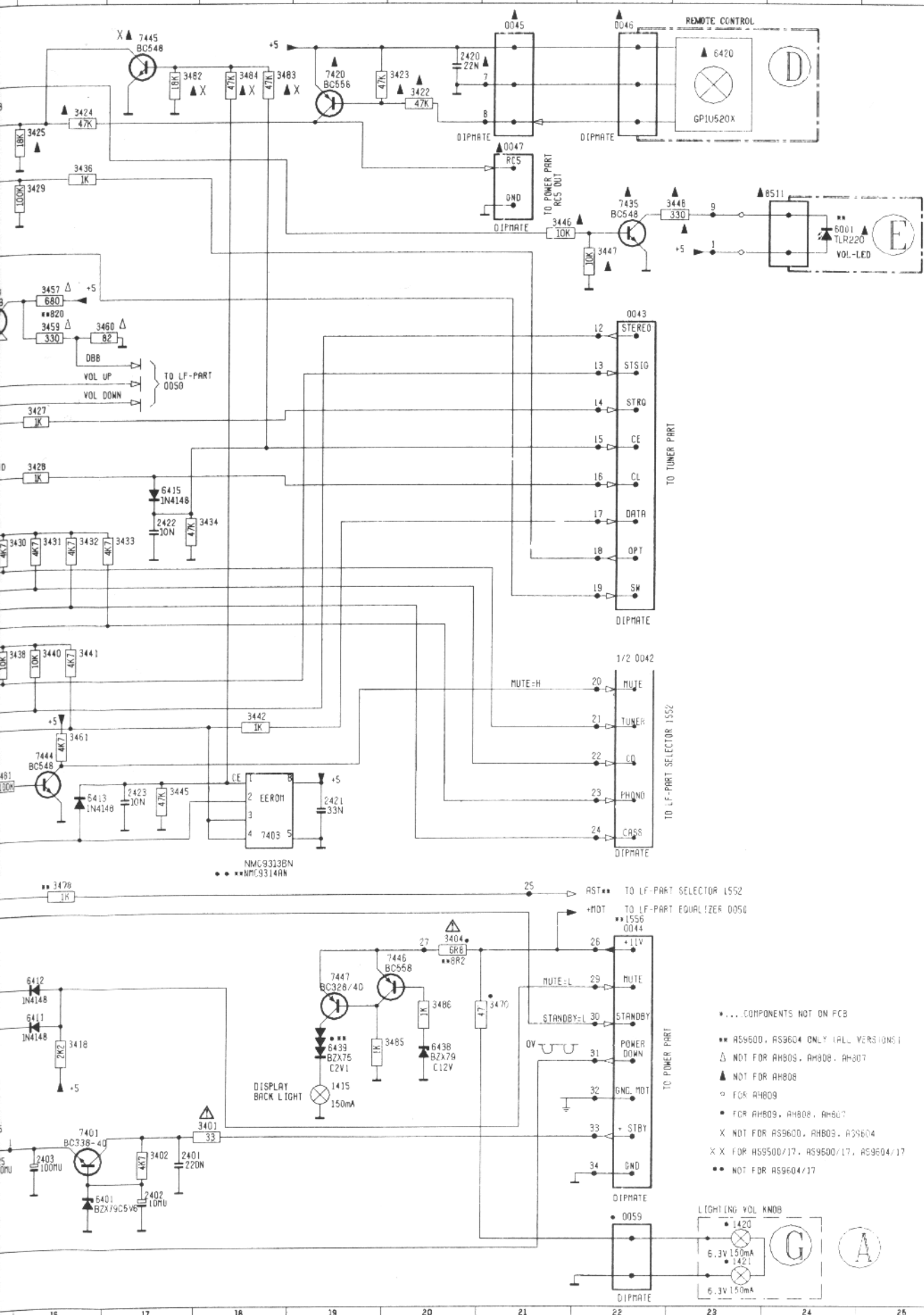
FRONT/ μ P CONTROL PART



COM2	COM1	PIN LCD	PIN MPRDC
7C	7D	26	43
7B	7E	25	44
7A	7F	24	45
6B	7A	23	46
5C	5D	22	47
5B	5E	21	48
5A	5F	20	49
4C	4D	19	50
4B	4E	18	51
4A	4F	17	52
3C	3D	16	53
3B	3E	15	54
3A	3F	14	55
2C	2D	12	56
2B	2E	11	57
2A	2F	10	58
1C	1D	9	60
1B	1E	8	61
1A	1F	7	62
MW	MHz .DP	6	63
PRDC R	AM	5	64
STER E	PR DG	4	1
BE	SC	3	2
COM2	-	2	3
-	COM1	1	4

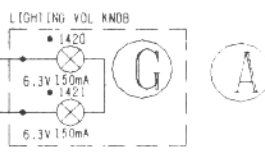






0042	H22
0043	D22
0044	J22
0045	R21
0046	R22
0047	B21
0053	C 4
0054	C 3
0059	N22
1400	N10
1401	B 5
1402	B 6
1403	B 6
1404	B 7
1405	C 3
1406	C 7
1407	D 6
1408	D 6
1409	D 7
1410	D 6
1411	D 6
1412	D 7
1413	C 5
1414	C 6
1415	L19
1420	N23
1421	N23
2401	M17
2402	M17
2403	M16
2411	J 7
2412	K 7
2413	H 6
2414	G 8
2415	J 8
2420	R20
2421	I19
2422	F17
2423	I17
2425	M15
3401	M18
3402	M17
3404	K20
3411	J 7
3412	K 7
3414	G 7
3416	G 7
3417	C14
3418	L16
3422	R20
3423	A19
3424	B16
3425	B16
3426	A14
3427	E16
3428	E16
3429	B16
3430	F15
3431	F16
3432	F16
3433	F17
3434	F17
3436	B16
3437	H14
3438	G15
3439	H14
3440	G16
3441	G16
3442	H18
3443	C15
3445	I17
3446	C21
3447	C22
3448	C23
3457	D16
3458	C15
3459	D16
3460	D17
3461	H16
3470	K21
3478	J16
3481	I15
3482	A17
3483	A18
3484	A18
3485	L19
5401	B 8
6001	C24
5401	M15
6410	E16
6411	K16
6412	K16
6413	K16
6413	F17
6420	A23
6437	D 3
6438	L20
6439	L19
7400	F12
7401	M16
7403	I18
7411	J 8
7413	G 7
7420	A19
7421	A15
7435	C22
7436	J15
7443	D15
7444	I16
7445	A17
7446	K20
7447	K19
8511	C24

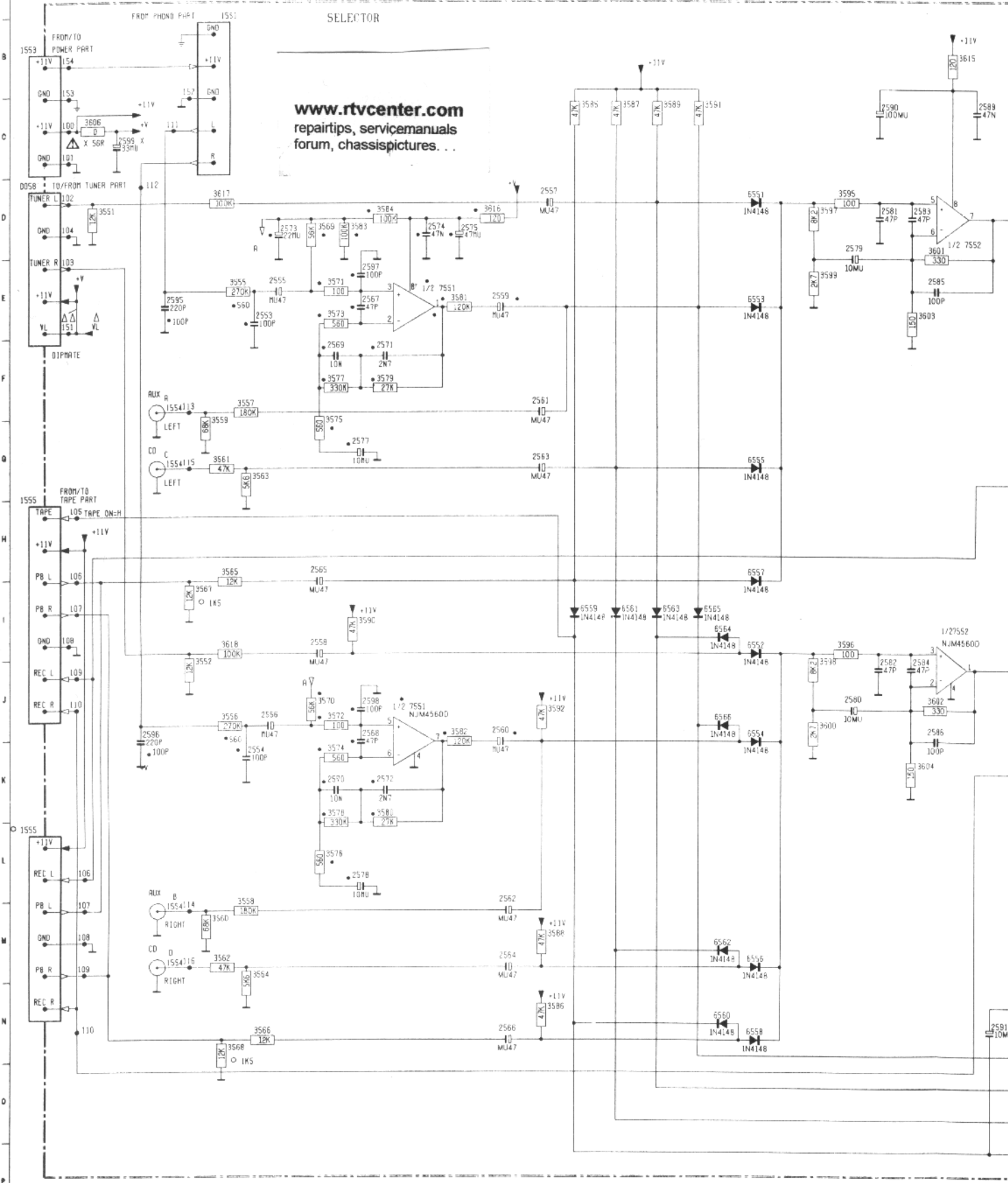
- ... COMPONENTS NOT ON PCB
- AS9600, AS9604 ONLY (ALL VERSIONS)
- △ NOT FOR AH805, AH808, AH807
- ▲ NOT FOR AH808
- FOR AH809
- FOR AH809, AH808, AH807
- X NOT FOR AS9600, AH805, AS9604
- X X FOR AS9500/17, AS9600/17, AS9604/17
- NOT FOR AS9604/17

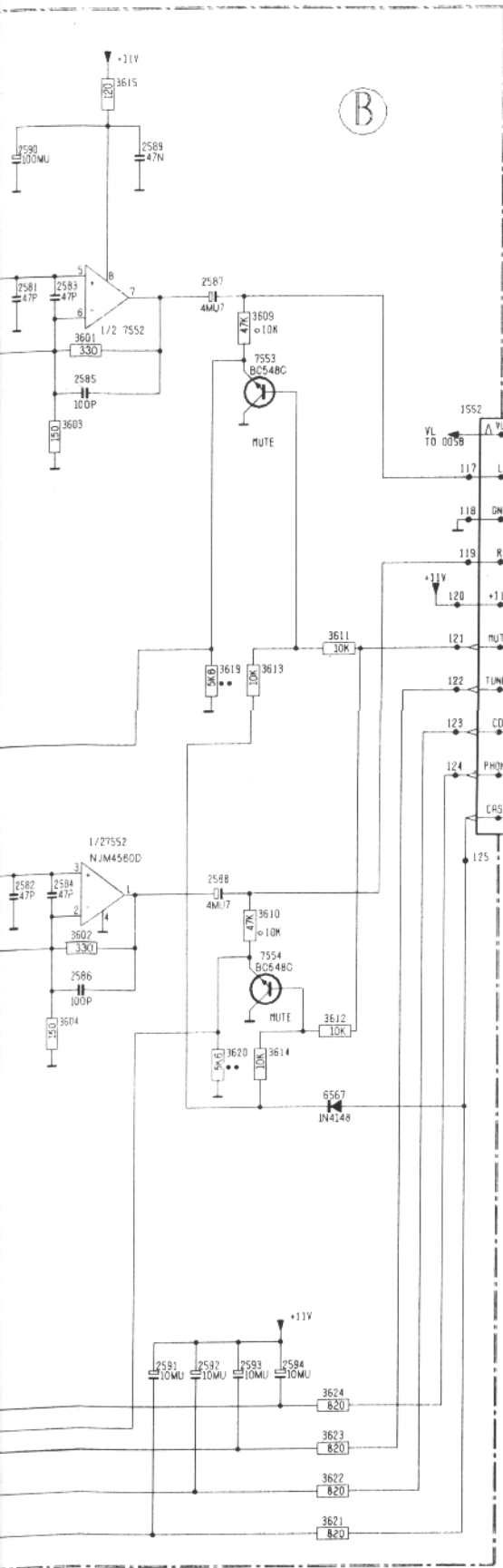


FRONT/LOW FREQUENCY PART

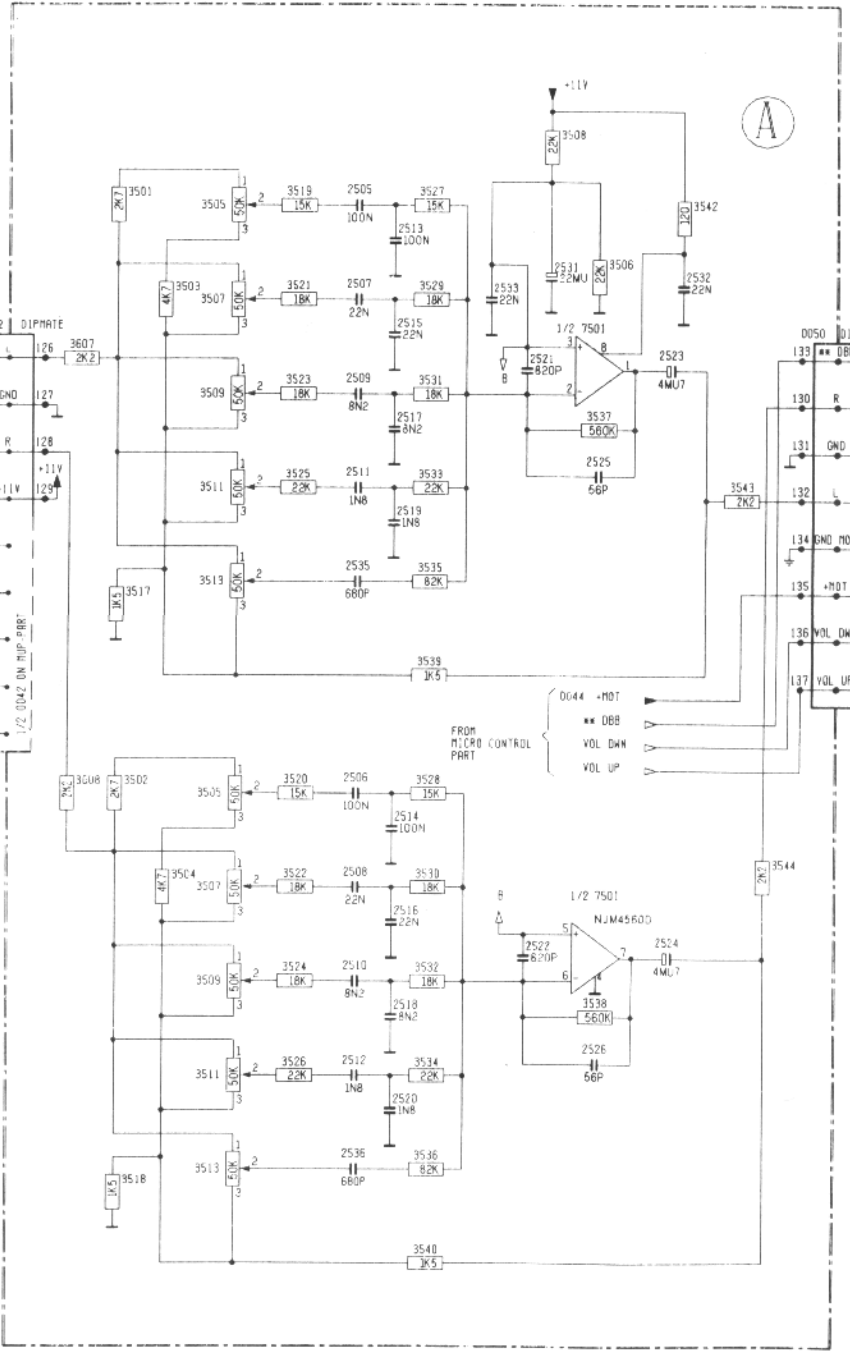
SELECTOR

www.rtvcenter.com
repairtips, servicemanuals
forum, chassispictures...

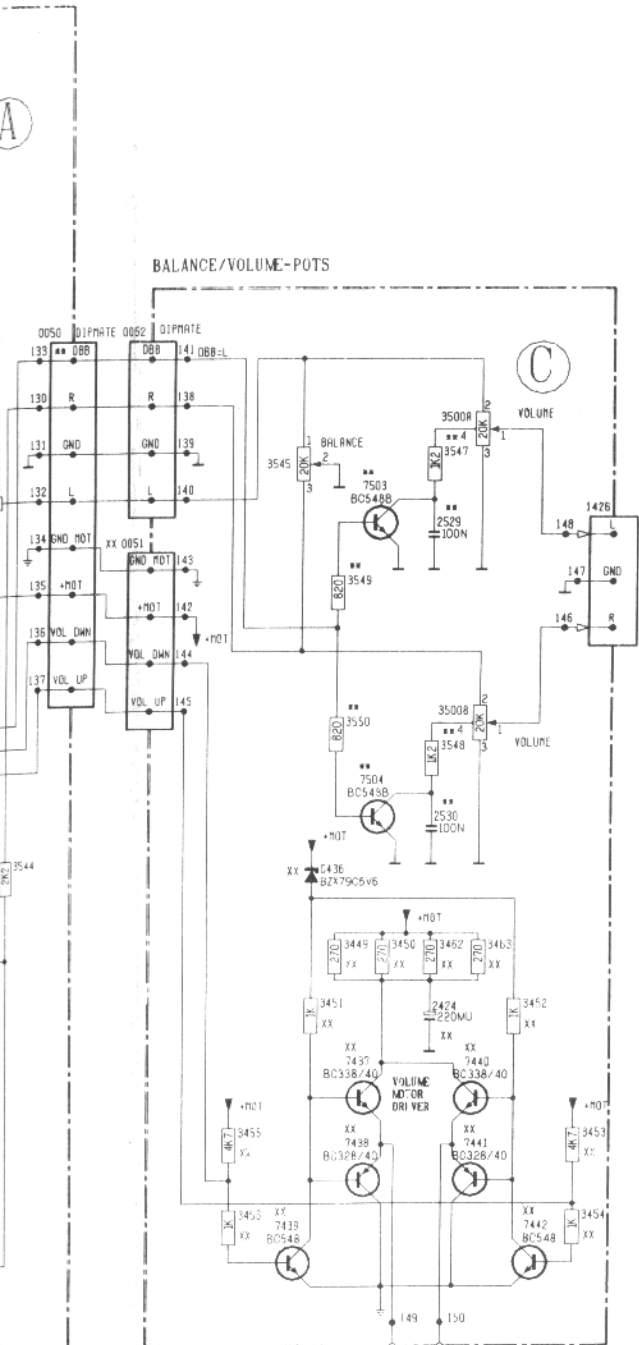




EQUALIZER



- X ONT FOR
- NOT FOR
- ▲ FOR RES
- ▲ FOR RES
- FOR RES
- △ FOR RES
- △ NOT FOR
- xx NOT FOR
- NOT FOR



X ONLY FOR AH80.
 ** NOT FOR AH80.
 • FOR AS9500/42, AH807, AH808, AH809
 ▲ FOR AS9500, AS9500/42, AH807, AH808
 ○ FOR AH809 ONLY
 △ FOR AS9500/42 ONLY
 ▲ NOT FOR AS9500/42
 XI NOT FOR AH808
 •• NOT FOR AH809

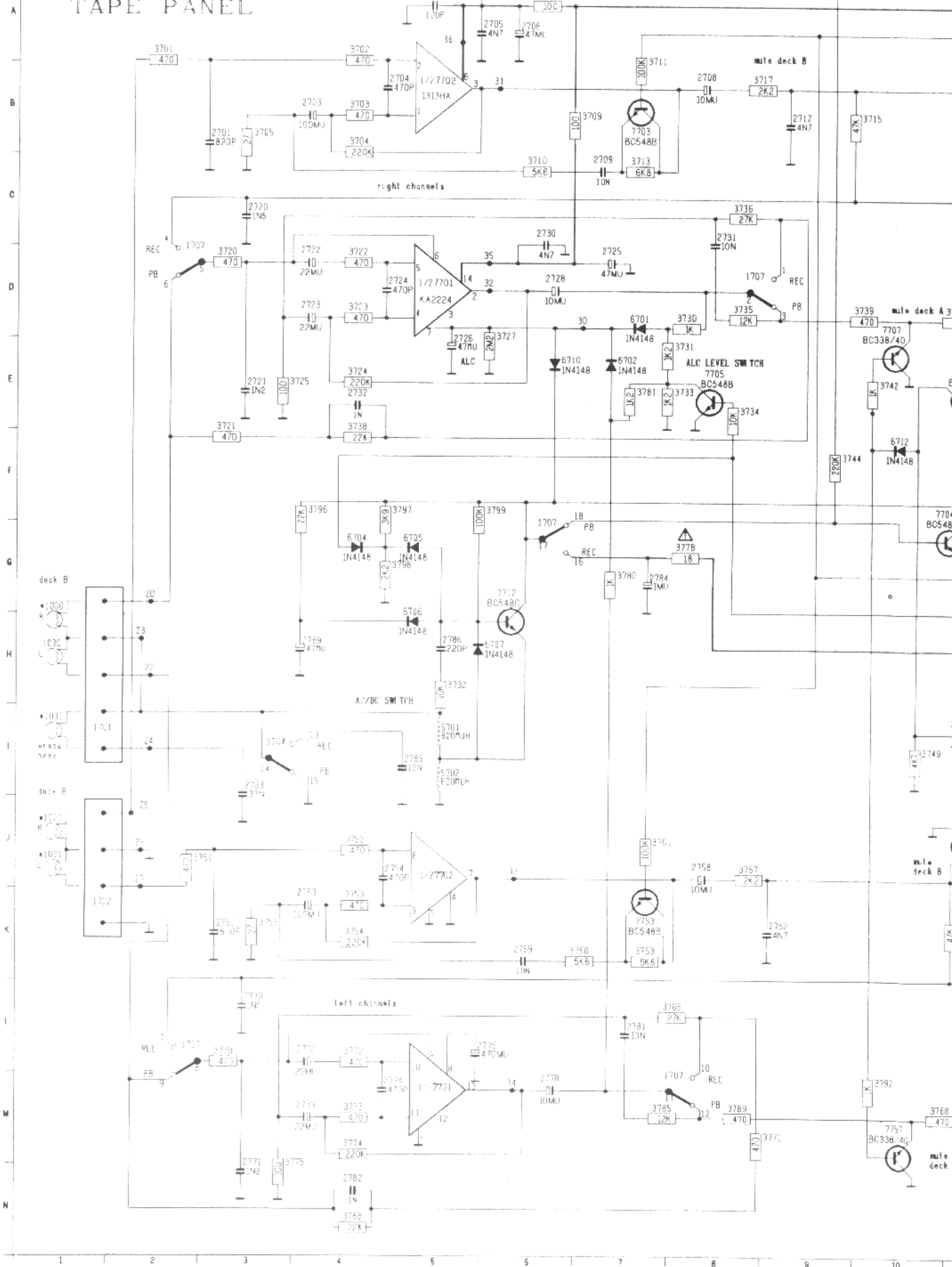
xx [Symbol] 3500C
 VOLUME MOTOR

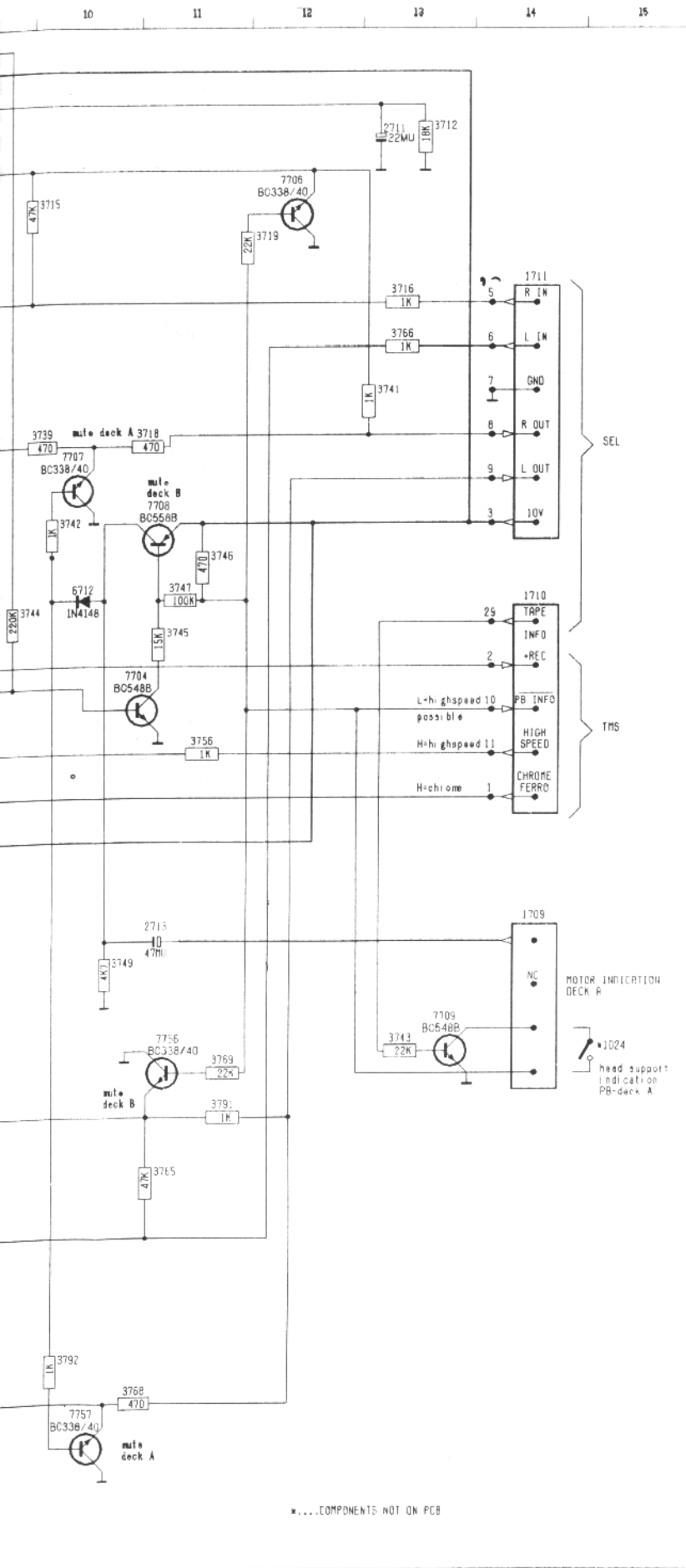
•••••COMPONENTS NOT ON PCB

FOR AH80, +11V±14V

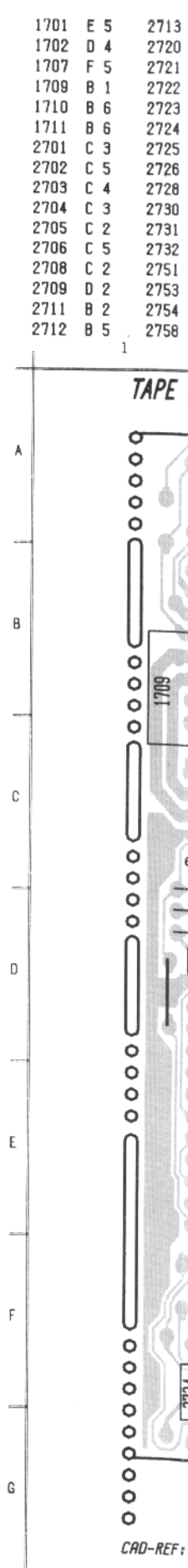
*3500	N26	3526	L19
0042	E16	3527	D20
0050	F23	3528	I20
0051	G24	3529	E20
0052	E24	3530	J20
0058	D 1	3531	F20
1426	G28	3532	K20
1551	R 3	3533	G20
1552	E15	3534	L20
1553	D 1	3535	
1554	M 2	3536	M20
1554	M 2	3537	F21
1554	G 2	3538	K21
1554	F 2	3539	H20
1555	G 1	3540	M20
1555	L 1	3542	O22
2424	K26	3543	G22
2505	O19	3544	J23
2506	I19	3545	G25
2507	F19	3547	G26
C 2508	J19	3548	I26
2509	F19	3549	H26
2510	K19	3550	I26
2511	O19	3551	D 2
2512	L19	3552	J 3
2513	E19	3555	E 3
2514	J19	3556	J 3
2515	E19	3557	F 3
D 2516	J19	3558	M 3
2517	F19	3559	G 3
2518	K19	3560	M 3
2519	O19	3561	G 3
2520	L19	3562	M 3
2521	F21	3563	G 3
2522	K21	3564	M 3
2523	F22	3565	H 3
E 2524	K22	3566	N 4
2525	G21	3567	I 3
2526	L21	3568	N 3
2529	G26	3569	D 4
2530	J26	3570	J 4
2531	E21	3571	E 5
2532	E22	3572	J 5
2533	E20	3573	E 5
F 2535	O19	3574	K 5
2536	L19	3575	O 4
2537	E 9	3576	L 4
2544	K 3	3577	F 5
2555	E 4	3578	K 5
2556	J 4	3579	F 5
2557	D 7	3580	K 5
2558	I 4	3581	E 6
G 2559	E 7	3582	J 6
2560	J 7	3583	D 5
2561	F 7	3584	D 5
2562	L 7	3585	C 7
2563	G 7	3586	M 7
2564	M 7	3587	C 8
2565	H 4	3588	M 7
2566	M 7	3589	C 8
2567	E 5	3590	I 5
H 2568	J 5	3591	C 9
2569	F 5	3592	J 7
2570	K 5	3595	D11
2571	F 5	3596	I11
2572	K 5	3597	D10
2573	D 4	3598	J10
2574	D 6	3599	E10
2575	D 6	3600	J10
I 2577	G 5	3601	D12
2578	L 5	3602	J12
2579	D11	3603	E12
2580	J11	3604	K12
2581	D11	3606	C 2
2582	J11	3606	C 6
2583	D11	3607	F17
2584	J11	3608	I17
J 2585	E12	3609	D13
2586	J12	3610	J13
2587	D13	3611	G14
2588	I13	3612	K14
2589	C12	3613	H13
2590	C11	3614	K14
2591	M12	3615	B12
2592	N13	3616	D 6
K 2593	N13	3617	D 3
2594	N14	3618	I 3
2595	E 2	3619	H13
2596	J 2	3620	K13
2597	E 5	3621	P14
2598	J 5	3622	O14
2599	C 2	3623	O14
2599	C 6	3624	N14
L 3449	M26	6436	J25
3450	K26	6551	D10
3451	K25	6552	I10
3452	K27	6553	E10
3453	L28	6554	J10
3454	M28	6555	G10
3455	L25	6556	M10
3456	M25	6557	H10
3462	K26	6558	N10
M 3463	K27	6559	I 7
3500A	F27	6560	N 9
3500B	I27	6561	I 8
3501	D17	6562	M 9
3502	I17	6563	I 8
3503	E18	6564	I 9
3504	J18	6565	I 9
3505	I18	6566	J 9
M 3505	O18	6567	L14
3506	E21	7437	L26
3507	J18	7438	L26
3507	E18	7439	N25
3508	O21	7440	L27
3509	K18	7441	L27
3509	F18	7442	M27
3511	L18	7501	J21
O 3511	G18	7503	G26
3513	M18	7504	I26
3513	H18	7551	J 5
3517	H17	7552	I12
3518	M17	7553	E14
3519	O19	7554	J14
3520	I19		
3521	E19		
P 3522	J19		
3523	F19		
3524	K19		
3525	G19		

TAPE PANEL





1021	J 1	3771	M 8
1021	J 1	3772	L 4
1024	J14	3773	M 4
1030	G 1	3774	M 4
1032	I 1	3775	M 3
1030	H 1	3778	G 8
1701	I 1	3780	G 7
1702	K 1	3781	E 7
1707	D 2	3785	M 7
1707	D 8	3786	L 8
1707	I 3	3788	N 4
1707	G 6	3789	M 8
1707	L 2	3791	J11
1709	M 8	3792	M10
1709	I14	3796	F 4
1710	F14	3797	F 4
1711	C14	3798	G 4
2701	B 2	3799	F 5
2702	A 5	5701	I 5
2703	B 4	5702	I 5
2704	B 4	6701	D 7
2705	A 5	6702	E 7
2706	A 6	6704	G 4
2708	A 8	6705	G 5
2709	C 7	6706	G 5
2711	A13	6707	H 5
2712	B 9	6710	E 6
2713	I11	6712	F10
2720	C 3	7701	D 5
2721	E 3	7702	B 5
2722	D 4	7703	B 7
2723	D 4	7704	F10
2724	D 4	7705	E 8
2725	D 7	7706	B12
2726	E 5	7707	D10
2728	D 6	7708	E11
2730	C 6	7709	I13
2731	C 8	7712	G 6
2732	E 4	7753	K 7
2751	K 3	7756	J11
2753	K 4	7757	M10
2754	J 4		
2758	J 8		
2759	K 6		
2762	K 8		
2770	L 3		
2771	M 3		
2772	L 4		
2773	M 4		
2774	M 4		
2775	L 5		
2778	M 6		
2781	L 7		
2782	N 4		
2783	I 3		
2784	G 7		
2785	I 5		
2786	H 5		
2789	H 3		
3701	A 2		
3702	A 4		
3703	B 4		
3704	B 4		
3705	B 3		
3706	A 6		
3709	B 6		
3710	C 6		
3711	A 7		
3712	A13		
3713	C 7		
3715	B 9		
3716	C13		
3717	B 8		
3718	D11		
3719	B11		
3720	D 3		
3721	E 3		
3722	D 4		
3723	D 4		
3724	E 4		
3725	E 3		
3727	D 6		
3730	D 8		
3731	E 7		
3732	H 5		
3733	E 7		
3734	E 8		
3735	D 8		
3736	C 8		
3738	E 4		
3739	D10		
3741	D13		
3742	E10		
3743	J13		
3744	F 9		
3745	F11		
3746	E11		
3747	F11		
3749	I10		
3751	J 2		
3752	J 4		
3753	K 4		
3754	K 4		
3755	K 3		
3756	G11		
3760	K 7		
3761	J 7		
3763	K 7		
3765	K11		
3766	C13		
3767	J 8		
3768	M10		
3769	J11		
3770	L 3		

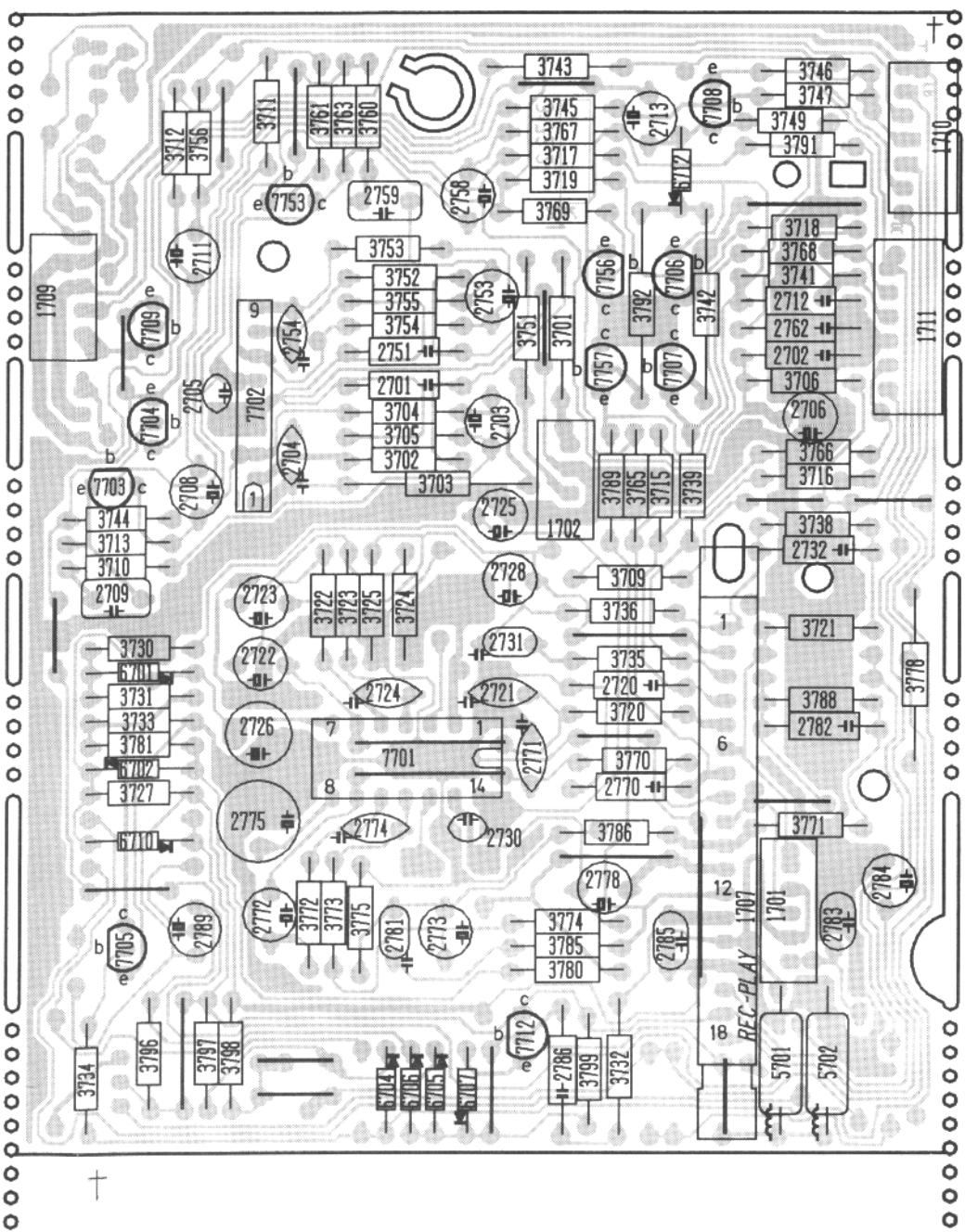


1	E 5	2713	A 4	2759	B 3	3701	C 4	3720	D 4	3741	B 5	3763	A 3	3786	E 4	6707	F 3
2	D 4	2720	D 4	2762	C 5	3702	C 3	3721	D 5	3742	B 5	3765	C 4	3788	D 5	6710	E 2
3	F 5	2721	D 4	2770	E 4	3703	C 3	3722	D 3	3743	A 4	3766	C 5	3789	C 4	6712	B 5
4	B 1	2722	D 2	2771	E 4	3704	C 3	3723	D 3	3744	C 2	3767	A 4	3791	B 5	7701	E 3
5	B 6	2723	D 2	2772	F 2	3705	C 3	3724	D 3	3745	A 4	3768	B 5	3792	B 4	7702	C 2
6	B 6	2724	D 3	2773	F 3	3706	C 5	3725	D 3	3746	A 5	3769	B 4	3796	F 2	7703	C 2
7	C 3	2725	C 4	2774	E 3	3709	D 4	3727	E 2	3747	A 5	3770	E 4	3797	F 2	7704	C 2
8	C 5	2726	E 2	2775	E 2	3710	D 2	3730	D 2	3749	A 5	3771	E 5	3798	F 2	7705	F 2
9	C 4	2728	D 4	2778	E 4	3711	A 2	3731	D 2	3751	C 4	3772	F 3	3799	F 4	7706	B 4
10	C 3	2730	E 4	2781	F 3	3712	B 2	3732	F 4	3752	B 3	3773	F 3	5701	F 5	7707	C 4
11	C 2	2731	D 4	2782	E 5	3713	D 2	3733	E 2	3753	B 3	3774	F 4	5702	F 5	7708	A 5
12	C 5	2732	D 5	2783	F 5	3715	C 4	3734	F 1	3754	B 3	3775	F 3	6701	D 2	7709	B 2
13	C 2	2751	C 3	2784	E 6	3716	C 5	3735	D 4	3755	B 3	3778	D 6	6702	E 2	7712	F 4
14	D 2	2753	B 4	2785	F 4	3717	B 4	3736	D 4	3756	B 2	3780	F 4	6704	F 3	7753	B 3
15	B 2	2754	C 3	2786	F 4	3718	B 5	3738	D 5	3760	A 3	3781	E 2	6705	F 3	7756	B 4
16	B 5	2758	B 3	2789	F 2	3719	B 4	3739	C 5	3761	A 3	3785	F 4	6706	F 3	7757	C 4

7701

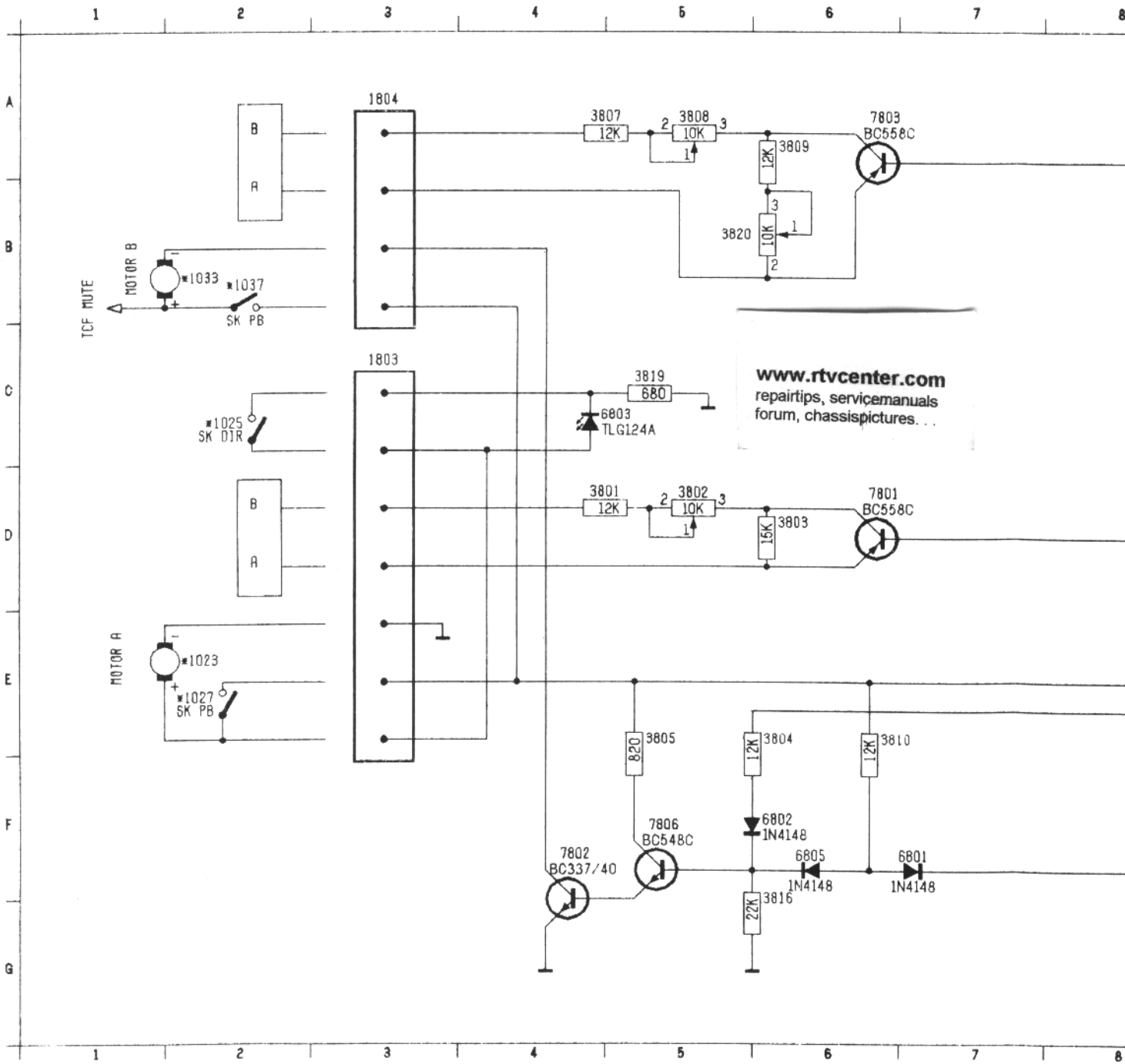
- 1 - 0V
- 2 - 5.4V
- 3 - 9.9V
- 4 - 5.3V
- 5 - 5.3V
- 6 - 0V
- 7 - 0.5V
- 8 - 5.3V
- 9 - 0V
- 10 - 5.3V
- 11 - 5.3V
- 12 - 9.9V
- 13 - 5.4V
- 14 - 10.6V

TAPE BOARD / COMPONENT SIDE VIEW / AS9500.00

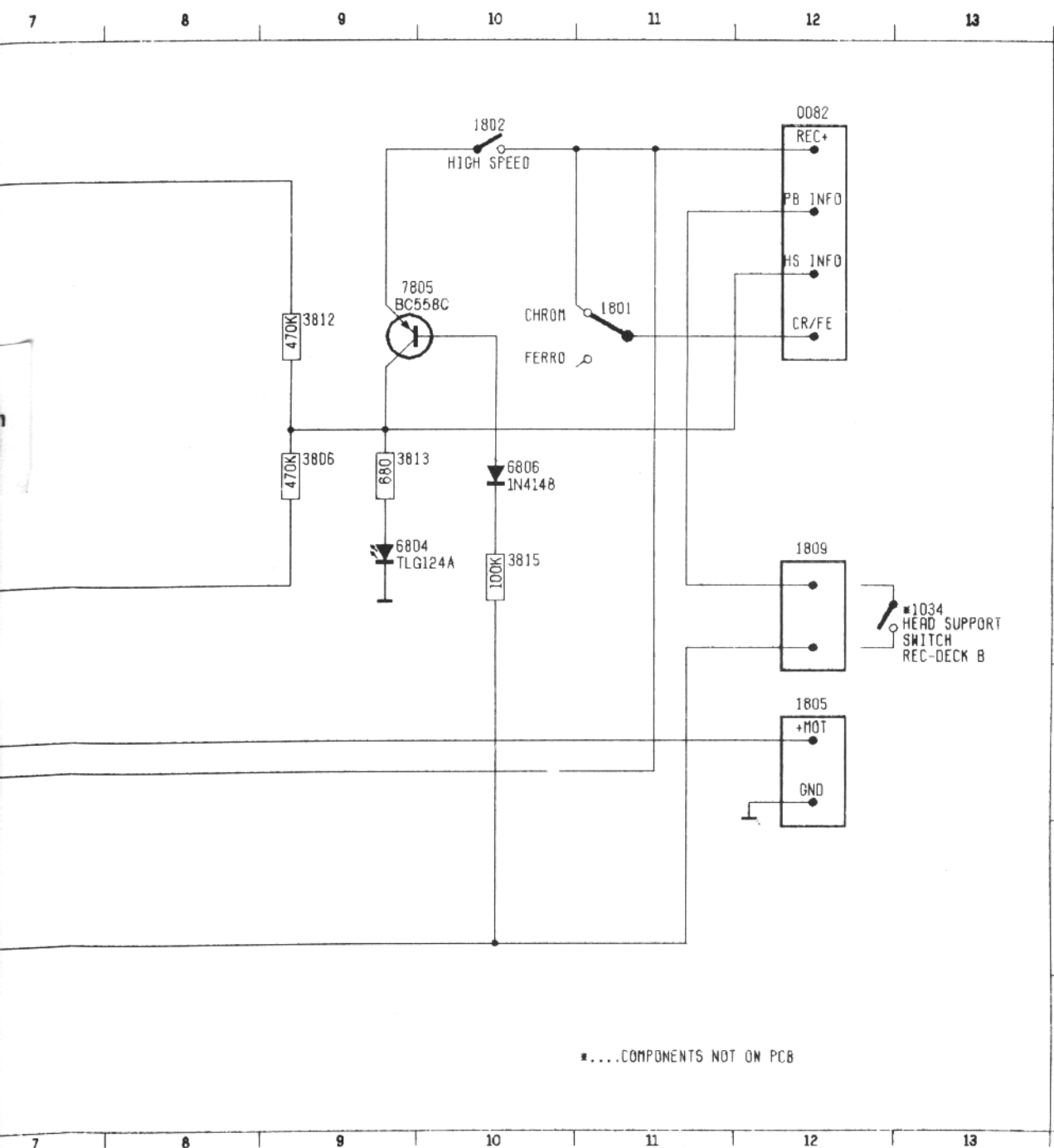


7702

- 1 - 1.2V
- 2 - 0V
- 3 - 2.5V
- 4 - 0V
- 5 - 0V
- 6 - 10.8V
- 7 - 2.5V
- 8 - 0V
- 9 - 1.2V



www.rtvcenter.com
 repair tips, servicemanuals
 forum, chassis pictures...

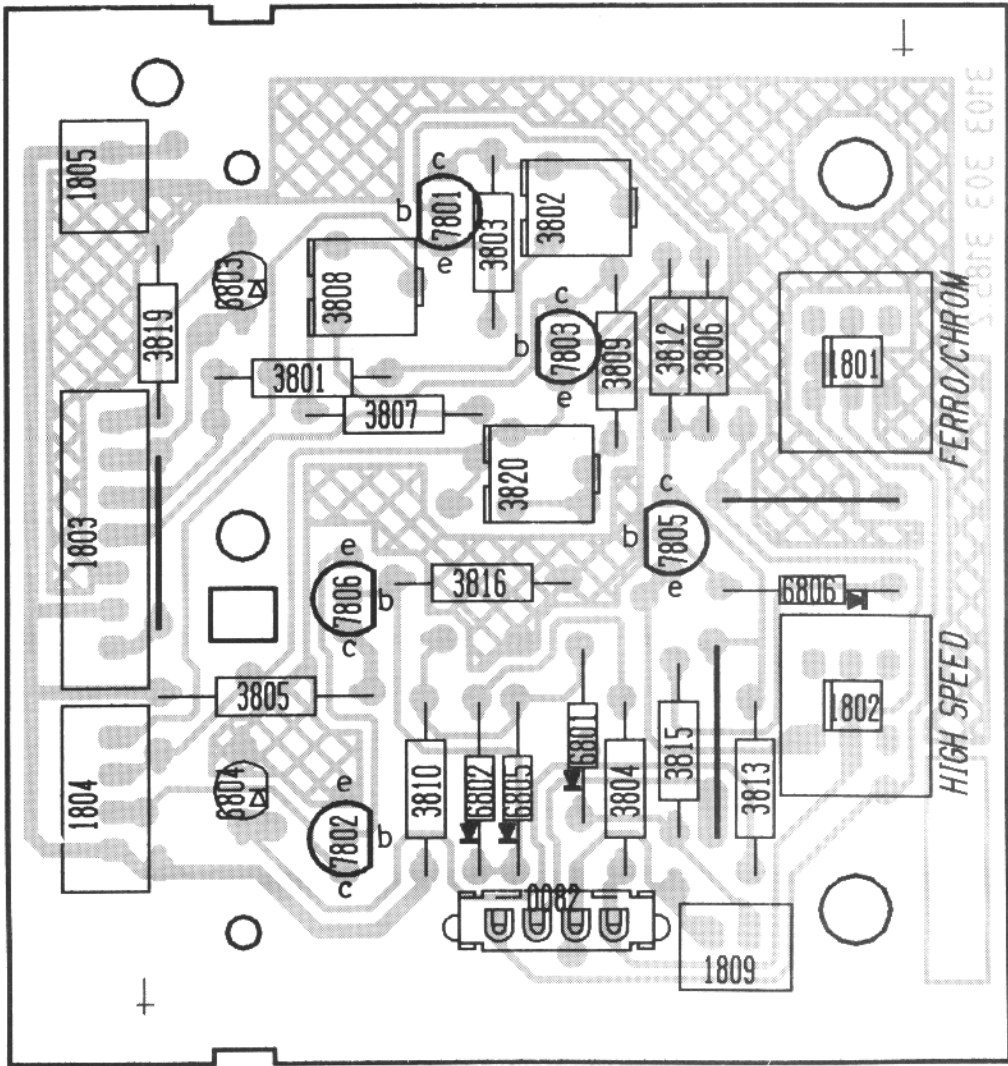


*1023	E 1
*1025	C 2
*1027	E 2
*1033	B 1
*1034	D12
*1037	B 2
0082	A12
1801	B11
1802	A10
1803	C 3
1804	A 3
1805	E12
1809	D12
3801	D 5
3802	D 5
3803	D 6
3804	E 5
3805	E 5
3806	C 9
3807	A 5
C 3808	A 5
3809	A 6
3810	E 6
3812	B 9
3813	C 9
3815	D10
3816	F 5
3819	C 5
D 3820	B 6
6801	F 7
6802	F 5
6803	C 4
6804	D 9
6805	F 6
6806	C10
7801	D 6
E 7802	F 4
7803	A 6
7805	B10
7806	F 5

*...COMPONENTS NOT ON PCB

0082	D 3	1809	D 3	3806	B 3	3813	D 3	6802	D 2	7802	D 2
1801	B 4	3801	B 2	3807	C 2	3815	D 3	6803	B 2	7803	B 3
1802	D 4	3802	B 3	3808	B 2	3816	C 2	6804	D 2	7805	C 3
1803	C 1	3803	B 2	3809	B 3	3819	B 1	6805	D 3	7806	C 2
1804	D 1	3804	D 3	3810	D 2	3820	C 3	6806	C 3		
1805	B 1	3805	D 2	3812	B 3	6801	D 3	7801	B 2		

TAPE MODE BOARD / COMPONENT SIDE VIEW / AS9500.00



CAD-REF: PC.AS9500.P7.D2.AS9500.00.B / 89-11-14

+Vc - 20.1V

7301 7309

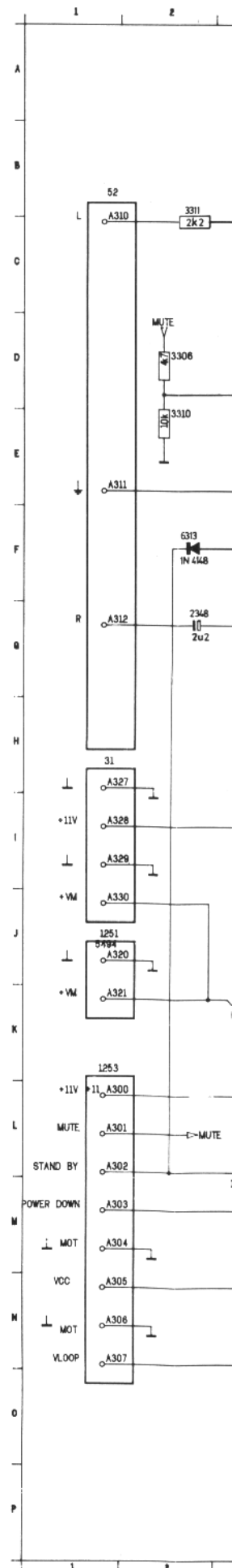
e - 11.2V e - 10.5V
 b - 12.5V b - 11.2V
 c - 20.1V c - 20.1V

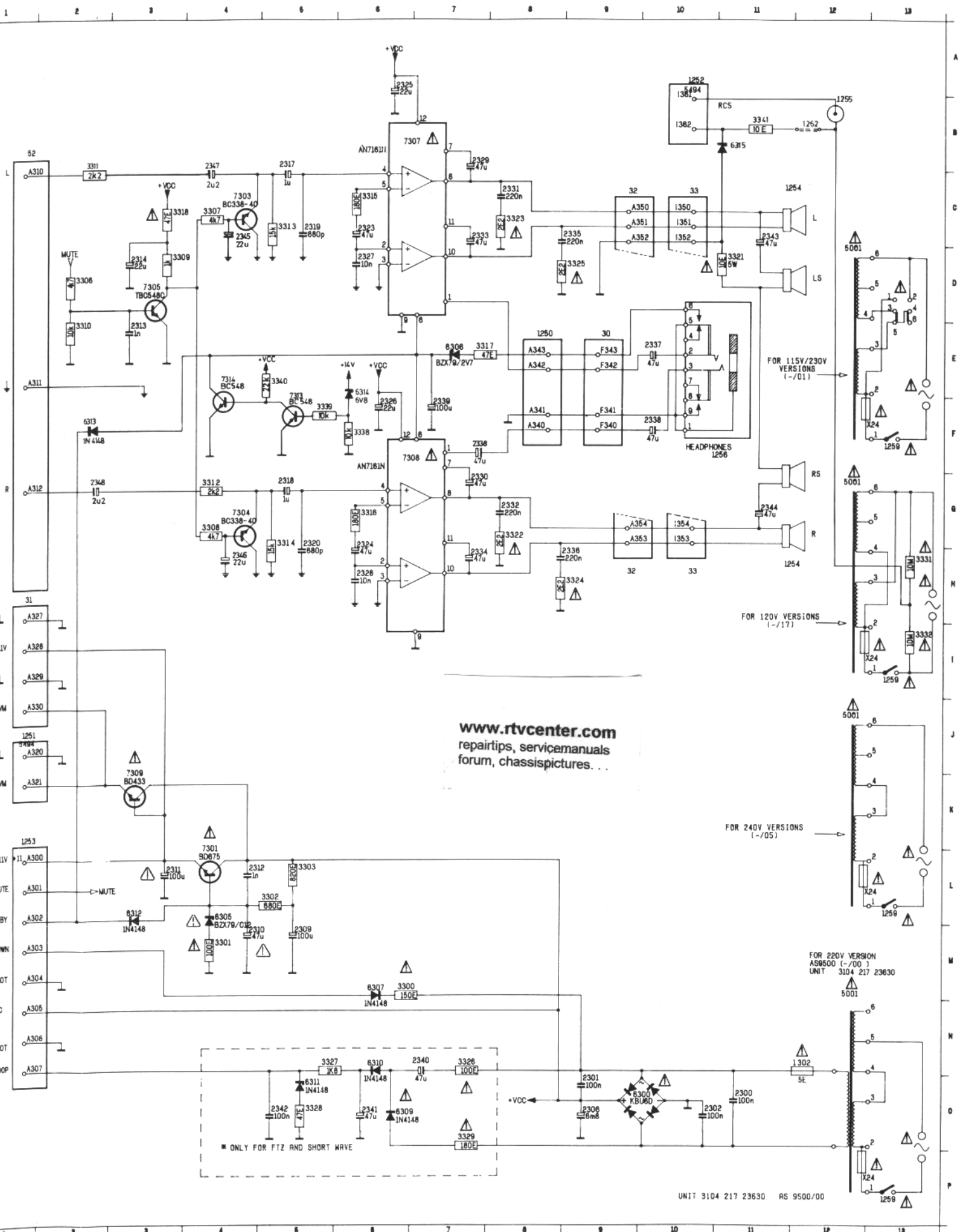
7307

7308

1 - 3.8V	1 - 3.8V
2 - 1.2V	2 - 1.2V
3 - 0V	3 - 0V
4 - 0.1V	4 - 0.1V
5 - 1.2V	5 - 1.2V
6 - 20.0V	6 - 20.0V
7 - 19.2V	7 - 19.2V
8 - 11.0V	8 - 11.0V
9 - 0V	9 - 0V
10 - 11.0V	10 - 11.0V
11 - 19.2V	11 - 19.2V
12 - 20.1V	12 - 20.1V

1250 E8	2346 H4	6313 F2
1251 J1	2347 B4	6314 F6
1252 A10	2348 G2	6315 B11
1253 K1	2348 G4	7301 K4
1254 C11	30 E9	7303 C4
1254 H11	31 H1	7304 G4
1255 B12	32 C9	7305 D3
1256 F11	32 H9	7307 B6
1262 B12	33 C10	7308 F6
1302 N12	33 H10	7309 J3
2300 O11	3300 M6	7313 F5
2301 O9	3301 M4	7314 E4
2302 O10	3302 L5	
2306 O9	3303 L5	
2309 M5	3306 D2	
2310 M4	3307 C4	
2311 L3	3308 G4	
2312 L4	3309 D3	
2313 E3	3310 E2	
2314 D3	3311 B2	
2317 B5	3312 G4	
2318 G5	3313 C5	
2319 C5	3314 G5	
2320 G5	3315 C6	
2321 C5	3316 G6	
2322 G5	3317 E7	
2323 C6	3318 C3	
2324 G6	3321 D11	
2325 A6	3322 G8	
2326 F6	3323 C8	
2327 D6	3324 H8	
2328 H6	3325 D8	
2329 B7	3326 N7	
2330 G7	3327 N5	
2331 C8	3328 O5	
2332 G8	3329 O7	
2333 C7	3331 H13	
2334 H7	3332 I13	
2335 C8	5001 M12	
2336 H8	5001 J12	
2337 E10	5001 G12	
2338 F7	5001 D12	
2338 F10	6300 O10	
2339 F7	6305 L4	
2340 N7	6306 E7	
2341 O6	6307 M6	
2342 O5	6309 O6	
2343 C11	6310 N6	
2344 G11	6311 O5	
2345 C4	6312 L3	





www.rtvcenter.com
 repair tips, servicemanuals
 forum, chassis pictures...


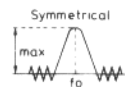

FOR 115V/230V
 VERSIONS (-/01)

FOR 120V VERSIONS
 (-/17)

FOR 240V VERSIONS
 (-/05)

FOR 220V VERSION
 AS9500 (-/00)
 UNIT 3104 217 23630

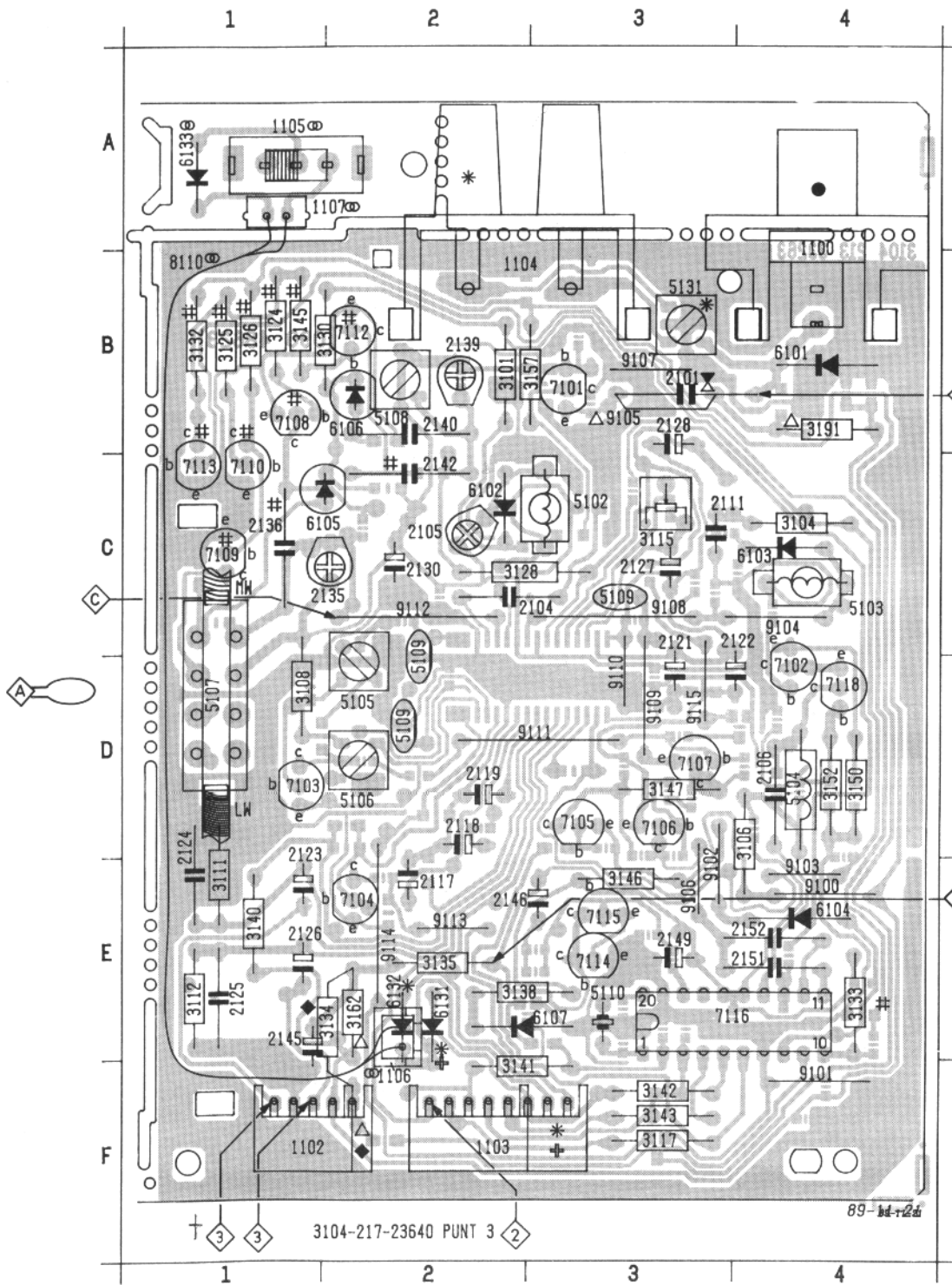
UNIT 3104 217 23630 RS 9500/00

SK...	FREQUENCY	I/P	DISPLAY	ADJUST	O/P	SCOPE/METER
Varicap alignment						
FM 87.5-108MHz			108MHz	5103	1	8V
			87.5MHz	check		2.9V +/- 0.3V
LW 148-284KHz			284KHz	5108		8.5V
MW 522-1611KHz			1611KHz	2139		8.5V
FM-RF						
FM	87.5MHz mod = 1KHz $\Delta f = 22.5\text{KHz}$	B	87.5MHz	5102	3	max. 
	108MHz mod = 1KHz $\Delta f = 22.5\text{KHz}$		108MHz	2105		
Stereo decoder						
FM	98MHz carrier 1mV	B	98MHz	3115	2	76 +/- 0.2KHz
AM-IF						
MW	450KHz \$ $\Delta f = 10\text{KHz}$ (50Hz)	C	522KHz	5106	3	Symmetrical 
				5105		
AM-RF						
LW *	200KHz		155KHz	5110	3	max. 
MW *	558KHz	A	603KHz	5110		
	1494KHz		1494KHz	2151		

* Mod = 1KHz 30% AM
\$ via 100nF

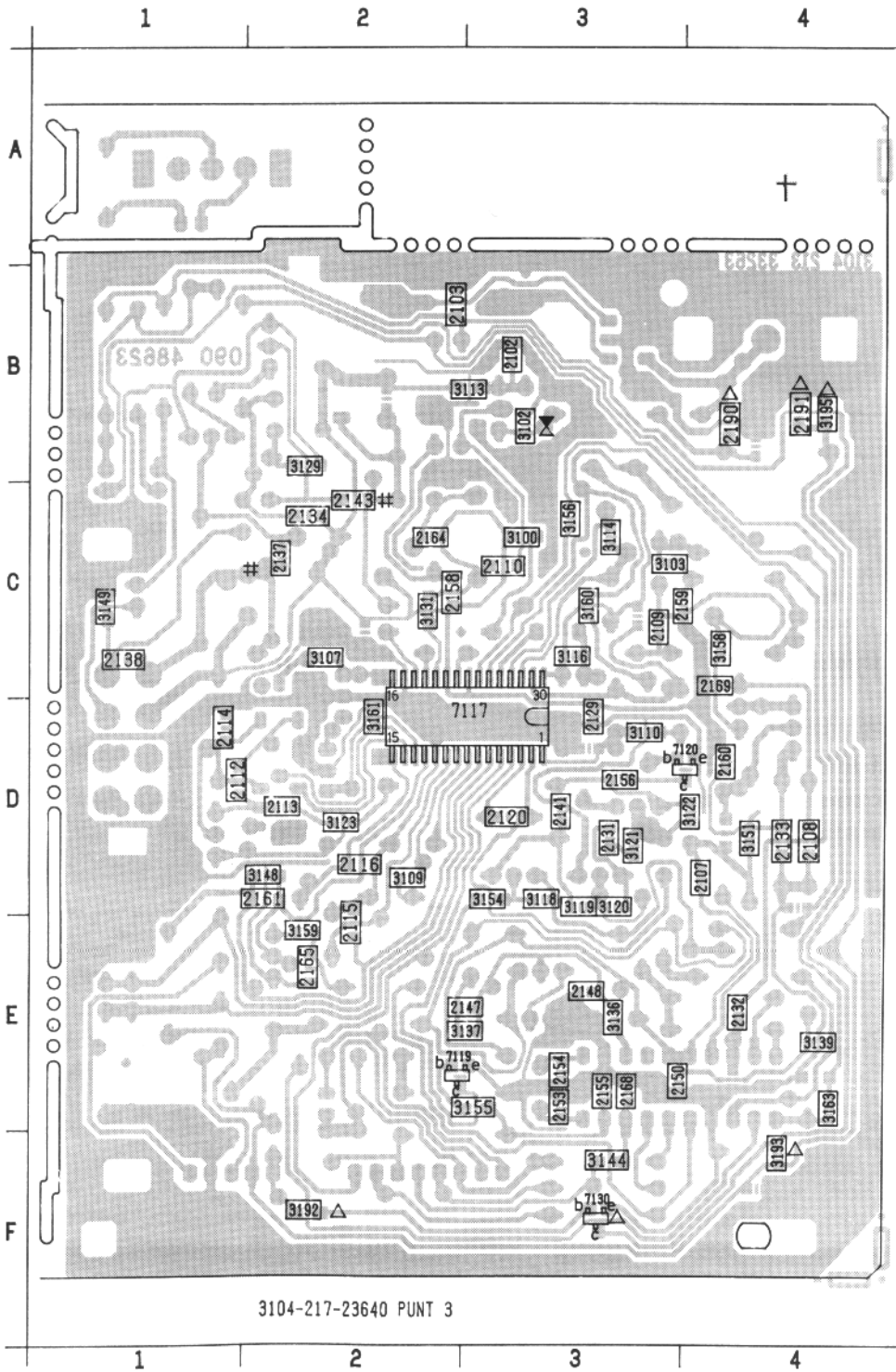
 Repeat





1100	A 4	5102	C 3
1102	F 1	5103	C 4
1103	F 2	5104	D 4
1104	B 2	5105	D 2
1105	A 1	5106	D 2
1106	F 2	5107	D 1
1107	A 2	5108	B 2
2101	B 3	5109	C 3
2104	C 3	5109	D 2
2105	C 2	5109	D 2
2106	D 4	5110	E 3
2111	C 3	5131	B 3
2117	E 2	6101	B 4
2118	D 2	6102	C 2
2119	F 2	6103	C 4
2121	C 3	6104	E 4
2122	C 4	6105	C 2
2123	E 1	6106	B 2
2124	D 1	6107	E 3
2125	E 1	6131	E 2
2126	E 1	6132	E 2
2127	C 3	6133	A 1
2128	B 3	7101	B 3
2130	C 2	7102	D 4
2135	C 2	7103	D 1
2136	C 1	7104	E 2
2139	B 2	7105	D 3
2140	B 2	7106	D 3
2142	C 2	7107	D 3
2145	E 1	7108	B 1
2146	E 2	7109	C 1
2149	E 3	7110	C 1
2151	E 4	7112	B 2
2152	E 4	7113	C 1
3101	B 2	7114	E 3
3104	C 4	7115	E 3
3106	D 4	7116	E 4
D 3108	D 1	7118	D 4
3111	E 1	8110	B 1
3112	E 1	9100	E 4
3115	C 3	9101	F 4
3117	F 3	9102	E 3
3124	B 1	9103	E 4
3125	B 1	9104	C 4
3126	B 1	9106	E 3
3128	C 2	9107	B 3
3130	B 2	9108	C 3
3132	B 1	9109	D 3
E 3133	E 4	9110	D 3
3134	E 2	9111	D 3
3135	E 2	9112	C 2
3138	E 2	9113	E 2
3140	E 1	9114	E 2
3141	F 2	9115	D 3
3142	F 3		
3143	F 3		
3145	B 1		
3146	E 3		
3147	D 3		
3150	D 4		
3152	D 4		
3157	B 3		
3191	B 4		

- △: ONLY FOR AUTOSTORE SETS (AS9600)
- ⊗: NOT FOR AUTOSTORE SETS
- *: ONLY FOR /17 UNITS
- : NOT FOR /17
- #: NOT FOR /01 /10 AND /17 UNITS
- ⊕: ONLY FOR /10 UNITS
- ◆: FOR EXTERNAL LOOP SUPPLY (AS9400) (AS9500)
- ⊙: ONLY FOR /01 UNITS

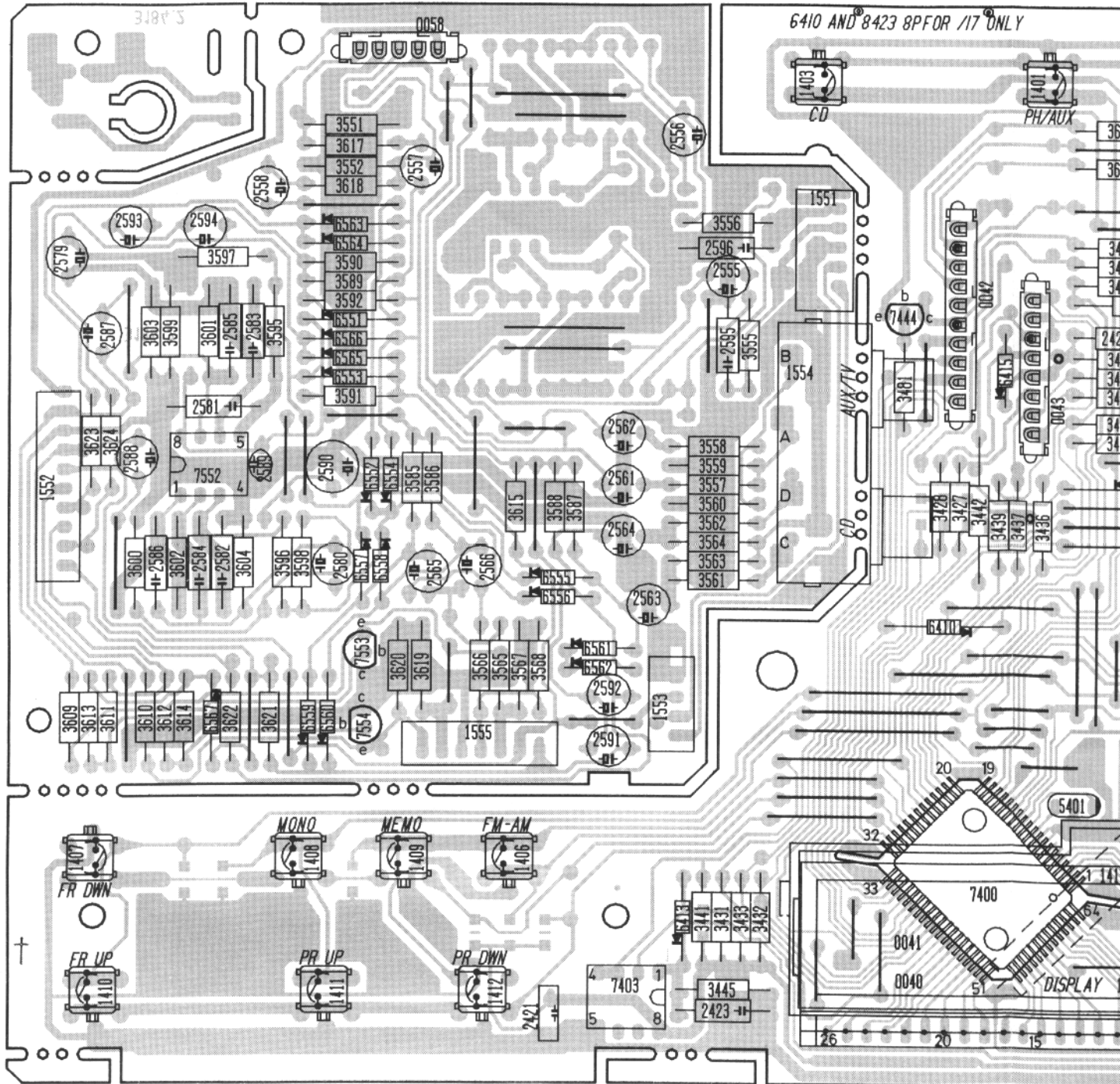


2102	B 3	3158	C 4
2103	B 2	3159	E 2
2107	D 4	3160	C 3
2108	D 4	3161	D 2
2109	C 3	3163	E 4
2110	C 3	3192	F 2
2112	D 1	3193	F 4
2113	D 2	3195	B 4
2114	D 1	7117	D 3
2115	E 2	7119	E 2
2116	D 2	7120	D 4
2120	D 3	7130	F 3
2129	D 3		
2131	D 3		
2132	E 4		
2133	D 4		
2134	C 2		
2137	C 2		
2138	C 1		
2141	D 3		
2143	C 2		
2147	E 3		
2148	E 3		
2150	E 4		
2153	E 3		
2154	E 3		
2155	E 3		
2156	D 3		
2158	C 2		
2159	C 4		
2160	D 4		
2161	D 2		
2164	C 2		
2165	E 2		
2168	E 3		
2169	C 4		
2190	B 4		
2191	B 4		
3100	C 3		
3102	B 3		
3103	C 3		
3107	C 2		
3109	D 2		
3110	D 3		
3113	B 3		
3114	C 3		
3115	C 3		
3118	D 3		
3119	D 3		
3120	D 3		
3121	D 3		
3122	D 4		
3123	D 2		
3129	B 2		
3131	C 2		
3136	E 3		
3137	E 3		
3139	E 4		
3144	F 3		
3148	D 2		
3149	C 1		
3151	D 4		
3154	D 3		
3155	E 3		
3156	C 3		

△: ONLY FOR AUTOSTORE SETS (AS9600)
 ✕: NOT FOR AUTOSTORE SETS
 *: ONLY FOR /17 UNITS
 #: NOT FOR /10 AND /17 UNITS
 +: ONLY FOR /10 UNITS

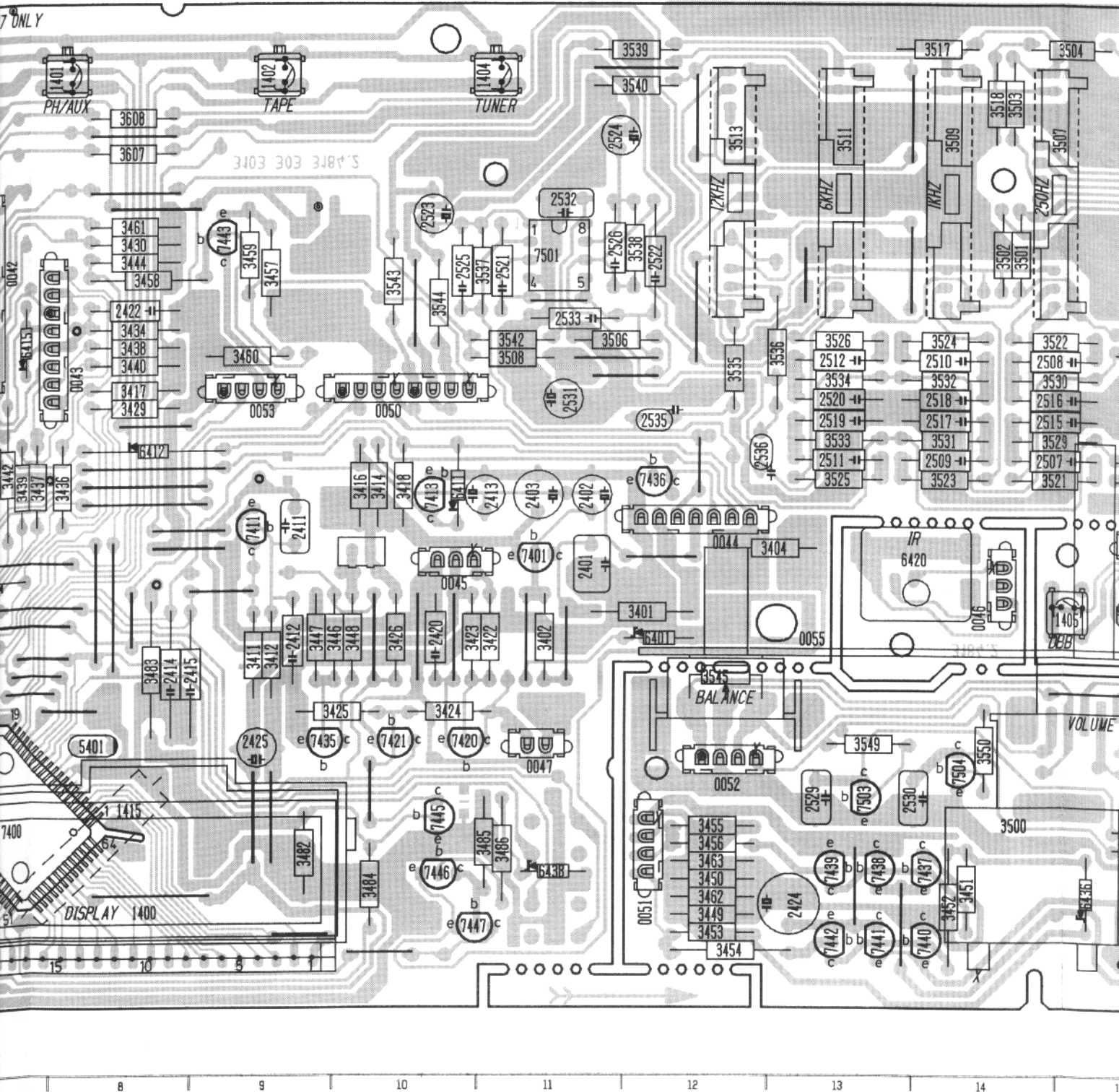
0040	G 7	0055	E13	1411	G 3	2412	E 9	2508	C14	2521	C11	2555	C 6	2582	E 2	2595	C 6	3424	F10	3438	C 8	3452	G14
0041	G 7	0058	A 4	1412	G 4	2413	D11	2509	D14	2522	C12	2556	B 5	2583	C 3	2596	C 5	3425	F10	3439	D 7	3453	G12
0042	C 7	1400	G 8	1415	G 8	2414	F 8	2510	C14	2523	B10	2557	B 4	2584	E 2	3401	E12	3426	E10	3440	D 8	3454	H12
0043	D 8	1401	A 8	1426	G16	2415	F 9	2511	D13	2524	B11	2558	B 3	2585	C 2	3402	E11	3427	D 7	3441	O 5	3455	G12
0044	E12	1402	A 9	1551	B 6	2420	E10	2512	C13	2525	C10	2561	D 5	2586	E 2	3404	E13	3428	D 7	3442	D 7	3456	G12
0045	E10	1403	A 6	1552	D 1	2421	H 4	2513	D15	2526	C11	2562	D 5	2587	C 2	3411	F 9	3429	D 8	3444	C 8	3457	C 9
0046	E14	1404	R11	1553	F 5	2422	C 8	2514	D15	2529	G13	2563	E 5	2588	D 2	3412	F 9	3430	C 8	3445	G 6	3458	C 8
0047	F11	1405	E15	1554	C 6	2423	H 5	2515	D14	2530	G13	2564	D 5	2589	D 3	3414	D10	3431	G 6	3446	E10	3459	C 8
0050	D10	1406	G 4	1555	F 4	2424	G13	2516	D14	2531	D11	2565	E 4	2590	D 3	3416	D10	3432	G 6	3447	E 9	3460	C 9
0051	G12	1407	G 1	2401	E11	2425	F 9	2517	D14	2532	B11	2566	E 4	2591	F 5	3417	D 8	3433	G 6	3448	E10	3461	C 8
0052	F12	1408	G 3	2402	D11	2505	D16	2518	D14	2533	C11	2579	C 1	2592	E 5	3418	D10	3434	C 8	3449	G12	3462	G12
0053	D 9	1409	G 4	2403	D11	2506	D16	2519	D13	2535	D12	2580	E 3	2593	B 2	3422	E11	3436	D 8	3450	G12	3463	G12
0054	E16	1410	G 2	2411	E 9	2507	D14	2520	D13	2536	D12	2581	D 2	2594	B 2	3423	E10	3437	D 7	3451	G14	3481	C 7

FRONT BOARD / COMPONENT SIDE VIEW / AS9500.00



CAD-REF: PC.AS9500.P5.D2.AS9500.00.B / 89-11-24

38	C 8	3452	G14	3482	G 9	3508	C11	3526	C13	3539	A12	3556	B 6	3585	D 4	3600	E 2	3615	D 4	6412	D 8	6557	E 3	7400
39	D 7	3453	G12	3483	F 8	3509	B14	3527	D15	3540	B12	3557	D 5	3586	D 4	3601	C 2	3617	B 3	6413	G 5	6558	E 3	7401
40	D 8	3454	H12	3484	G10	3511	B13	3528	C15	3542	C11	3558	D 5	3587	D 5	3602	E 2	3618	B 3	6415	C 7	6559	F 3	7402
41	G 5	3455	G12	3485	G11	3513	B12	3529	D14	3543	C10	3559	D 5	3588	D 4	3603	C 2	3619	E 4	6420	E14	6560	F 3	7403
42	D 7	3456	G12	3486	G11	3517	R14	3530	D14	3544	C10	3560	D 5	3589	C 3	3604	E 2	3620	E 3	6436	G15	6561	E 5	7404
44	C 8	3457	C 9	3500	G14	3518	B14	3531	D14	3545	F12	3561	E 5	3590	C 3	3607	B 8	3621	F 3	6437	E15	6562	E 5	7405
45	G 6	3458	C 8	3501	C14	3519	D15	3532	D14	3547	G15	3562	D 5	3591	D 3	3608	B 8	3622	F 2	6438	G11	6563	B 3	7406
46	E10	3459	C 9	3502	C14	3520	C16	3533	D13	3548	G15	3563	E 5	3592	C 3	3609	F 1	3623	D 1	6551	C 3	6564	C 3	7407
47	E 9	3460	C 9	3503	B14	3521	D14	3534	D13	3549	F13	3564	D 5	3595	C 3	3610	F 2	3624	D 2	6552	D 3	6565	C 3	7408
48	E10	3461	C 8	3504	R15	3522	C14	3535	D12	3550	F14	3565	E 4	3596	E 3	3611	F 2	5401	F 8	6553	C 3	6566	C 3	7409
49	G12	3462	G12	3505	B15	3523	D14	3536	C13	3551	B 3	3566	E 4	3597	C 2	3612	F 2	6401	E12	6554	D 3	6567	F 2	7410
50	G12	3463	G12	3506	C11	3524	C14	3537	C11	3552	B 3	3567	E 4	3598	E 3	3613	F 1	6410	E 7	6555	E 4	7400	G 7	7411
51	G14	3481	C 7	3507	B15	3525	D13	3538	C12	3555	C 6	3568	E 4	3599	C 2	3614	F 2	6411	D10	6556	E 4	7401	E11	7412



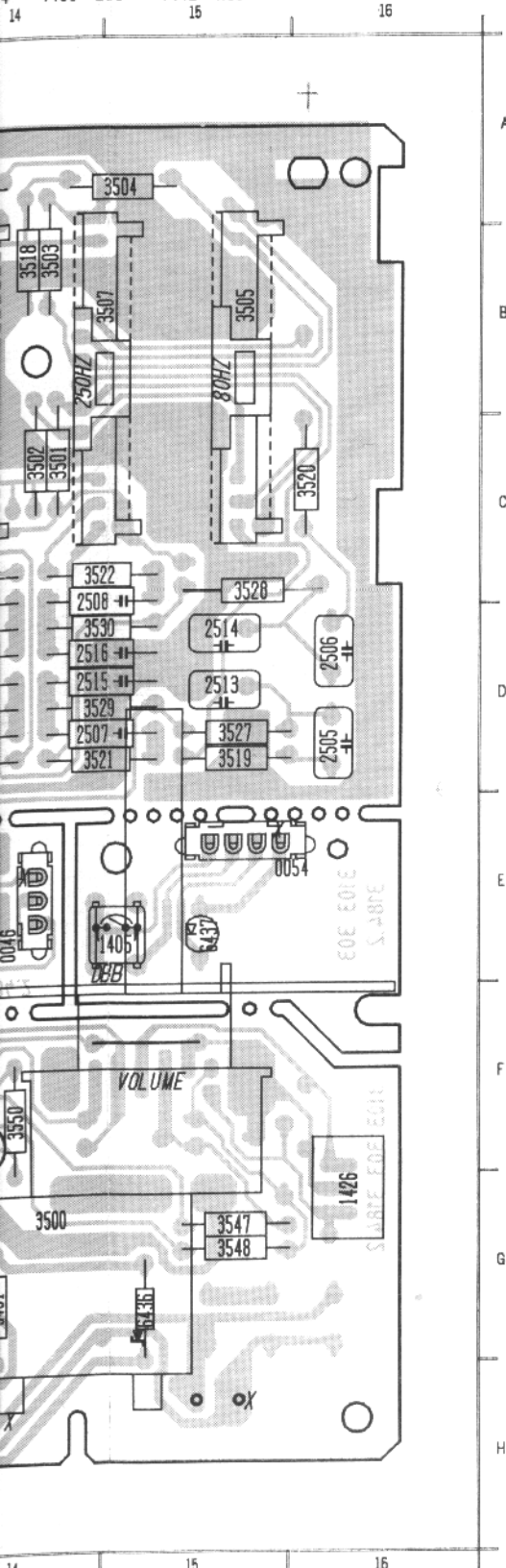
8	6557	E 3	7403	G 5	7443	C 9
5	6558	E 3	7411	E 9	7444	C 7
7	6559	F 3	7413	D10	7445	G10
4	6560	F 3	7420	F10	7446	G10
5	6561	E 5	7421	F10	7447	G10
5	6562	E 5	7435	F 9	7501	C11
1	6563	B 3	7436	D12	7503	G13
3	6564	C 3	7437	G14	7504	F14
3	6565	C 3	7438	G13	7552	D 2
3	6566	C 3	7439	G13	7553	E 3
3	6567	F 2	7440	H14	7554	F 3
4	7400	G 7	7441	H13		
4	7401	E11	7442	H13		

+MOT - 11.2V

7501

7552

1	- 5.6V	1	- 4.7V
2	- 5.6V	2	- 1.5V
3	- 5.6V	3	- 1.5V
4	- 0V	4	- 0V
5	- 5.6V	5	- 1.5V
6	- 5.6V	6	- 1.5V
7	- 5.6V	7	- 4.7V
8	- 10.7V	8	- 8.4V



7401 7446 7447

e	- 4.9V	10.1V	10.1V
b	- 5.4V	9.6V	9.3V
c	- 19.4V	9.3V	10.0V

ITEM NORMAL VOLUME DOWN VOLUME UP

7437

e	- 8.9V	0.7V	4.8V
b	- 8.1V	0V	5.5V
c	- 11.1V	6.2V	6.2V

7438

e	- 8.9V	0.7V	4.8V
b	- 8.1V	0V	5.5V
c	- 0V	0V	0V

7439

e	- 0V	0V	0V
b	- 0.1V	0.7V	0.1V
c	- 8.1V	0V	5.5V

7440

e	- 8.9V	4.8V	0.7V
b	- 8.1V	5.5V	0V
c	- 11.1V	6.2V	6.2V

7441

e	- 8.9V	4.8V	0.7V
b	- 8.1V	5.5V	0V
c	- 0V	0V	0V

7442

e	- 0V	0V	0V
b	- 0.1V	0.1V	0.7V
c	- 8.1V	5.5V	0V