

Service  
Service  
**Service**



# Service Manual

AZ1006 and MCS230 are classified as exchange models. This manual only gives some diagrams for basic repair in some regions.



## TABLE OF CONTENTS

Service Partslist .....2

Circuit Diagram

- Key & Display board.....2
- Tuner board.....3
- Cassette board.....4
- Audio & mains board.....5
- CD Board.....6

Layout Diagram

- Copper side.....7
- Component side.....8



© Copyright 2005 Philips Consumer Electronics B.V. Eindhoven, The Netherlands  
All rights reserved. No part of this publication may be reproduced, stored in a retrieval system or transmitted, in any form or by any means, electronic, mechanical, photocopying, or otherwise without the prior permission of Philips.

Published by YT 0538 Service Audio Subject to modification

GB 3141 785 30720

Version 1.0

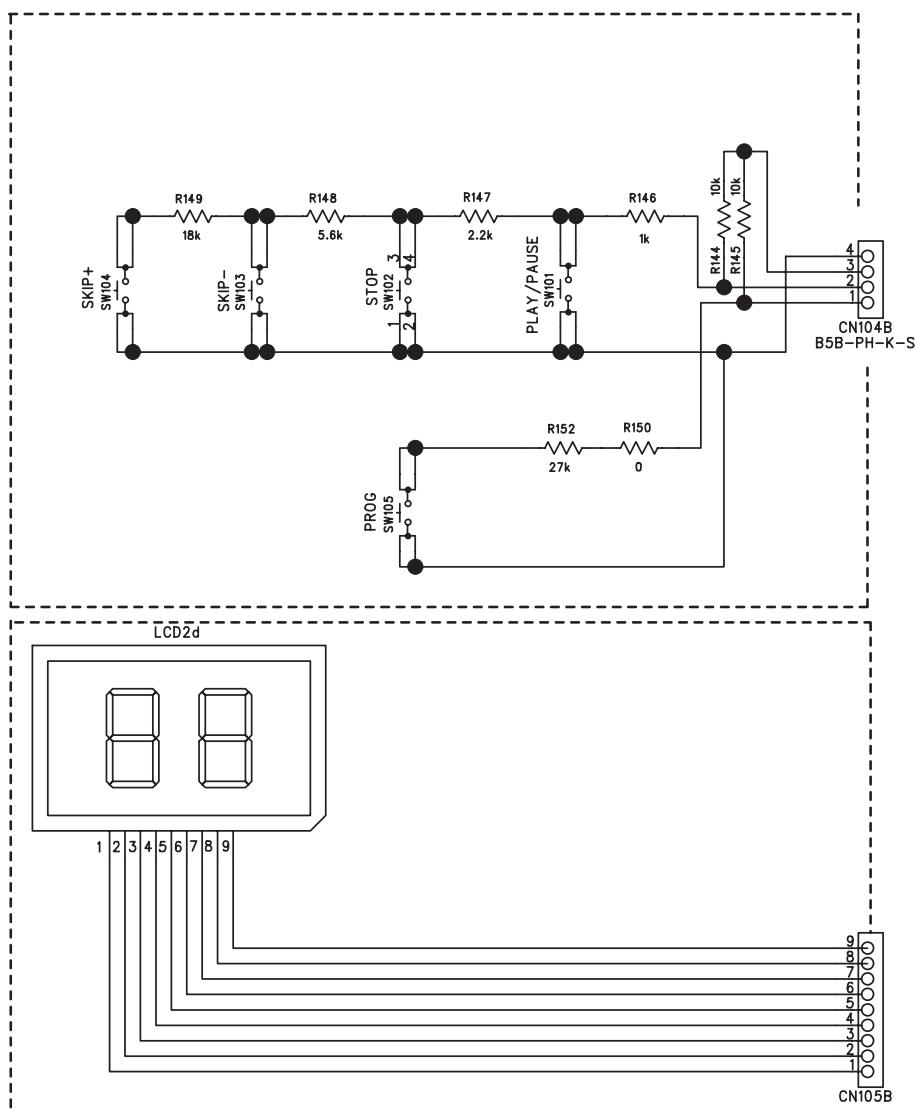


# PHILIPS

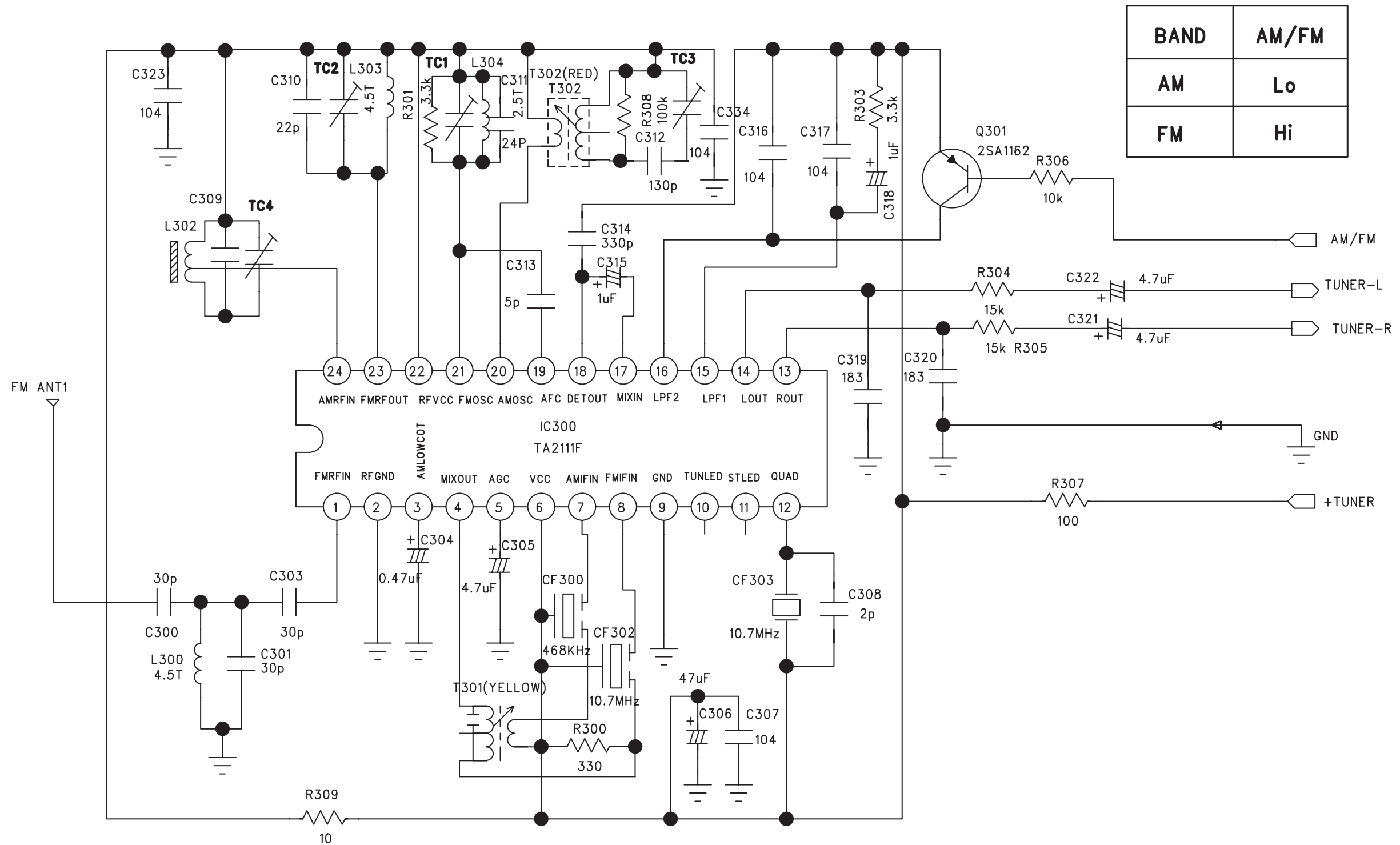
SERVICE PARTSLIST

9940 000 02467	CD DOOR	MCS230
9940 000 02468	CASSETTE DOOR	MCS230
9940 000 02466	BATTERY DOOR	MCS230
9965 000 17746	BATTERY DOOR	AZ1006/01
9940 000 02364	ROD ANTENNA 2 SEC 420MM	
9940 000 01454	CD MECHANISM DA11B3N	
9940 000 02363	CASS MECH CS-21V -818D	
9940 000 02362	SPEAKER 3" 8 OHM 2W	
9965 000 17790	ROTARY VOLUME B50K	
9965 000 17775	CD DOOR SWITCH 1P2T	
9965 000 13779	TACT SWITCH	
9940 000 01453	TRANSFORMER 120/230V	AZ1006/01
9940 000 02365	TRANSFORMER 120/230V	MCS230
2422 070 98151	VDE CORD SET	

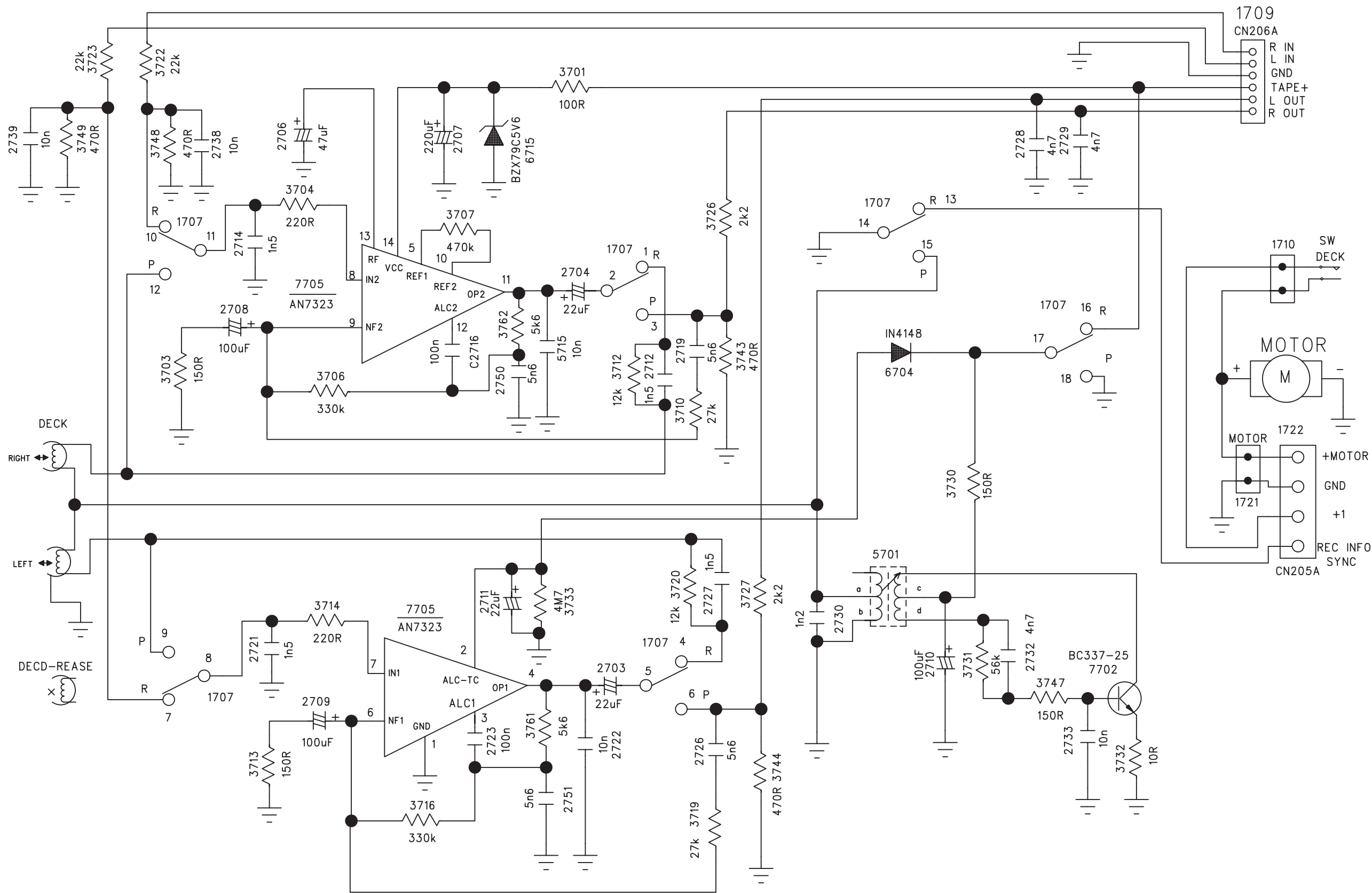
CIRCUIT DIAGRAM - KEY & DISPLAY BOARD



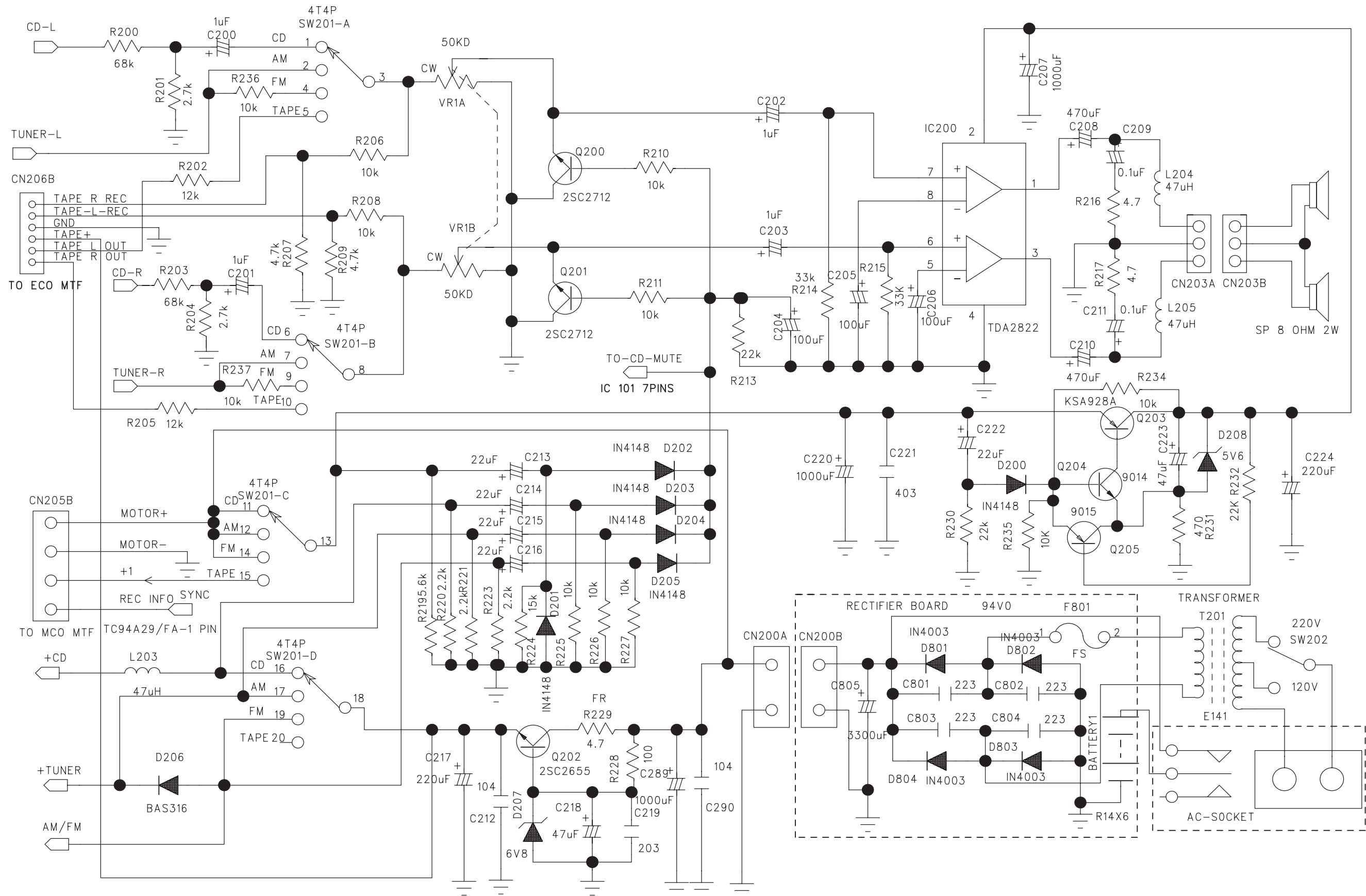
CIRCUIT DIAGRAM - TUNER BOARD



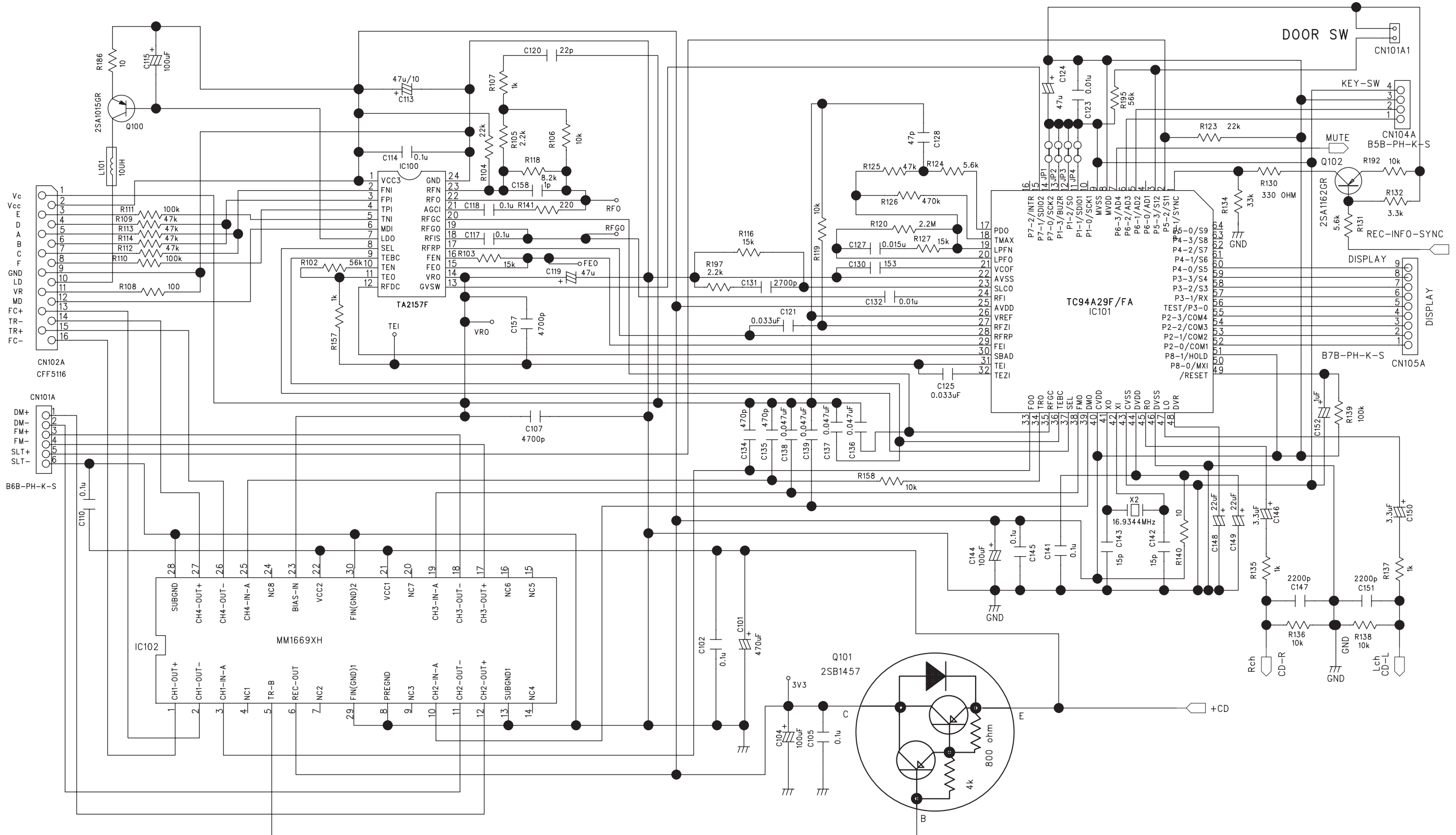
CIRCUIT DIAGRAM - CASSETTE BOARD



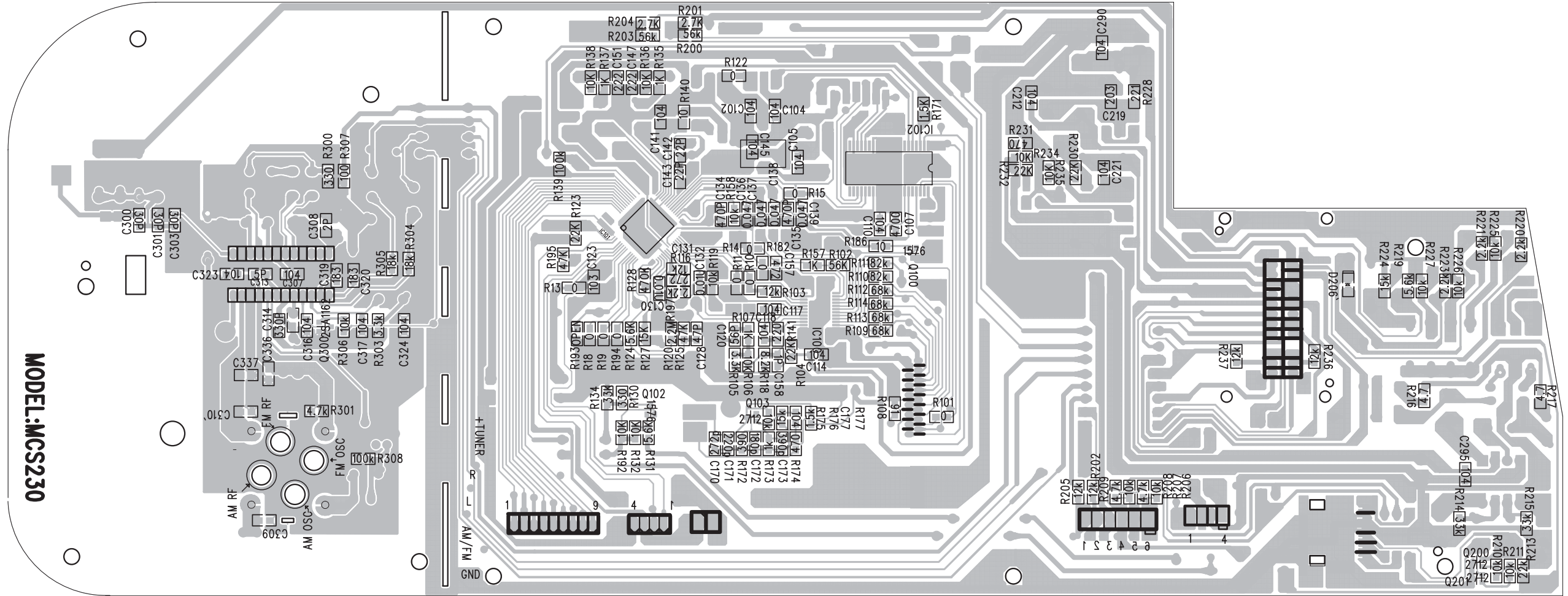
CIRCUIT DIAGRAM - AUDIO & MAIN BOARD



CIRCUIT DIAGRAM - CD BOARD



LAYOUT DIAGRAM - COPPER SIDE



MODEL:MCS230



LAYOUT DIAGRAM - COMPONENT SIDE

