

Service
Service
Service



Service Manual



CONTENTS

- Block Diagram
- Circuit diagram - □ power part
 - CD part
 - LCD part
 - tuner part
 - tape part
- PCB Layout diagram - □ power board
 - cd board
 - LCD board
 - tuner board

Service parts list:

- 9940 000 00161 □ VDE POWER CORD SET
- 9940 000 01095 □ BATTERY DOOR
- 9940 000 01094 □ ROD ANTENNA
- 9940 000 00147 □ CD MECHANISM DA1B3N
- 9940 000 01476 □ TAPE DECK CS-21V-230
- 9940 000 01453 □ TRANSFORMER 120/230V



© Copyright 2005 Philips Consumer Electronics B.V. Eindhoven, The Netherlands
 All rights reserved. No part of this publication may be reproduced, stored in a retrieval system or transmitted, in any form or by any means, electronic, mechanical, photocopying, or otherwise without the prior permission of Philips.

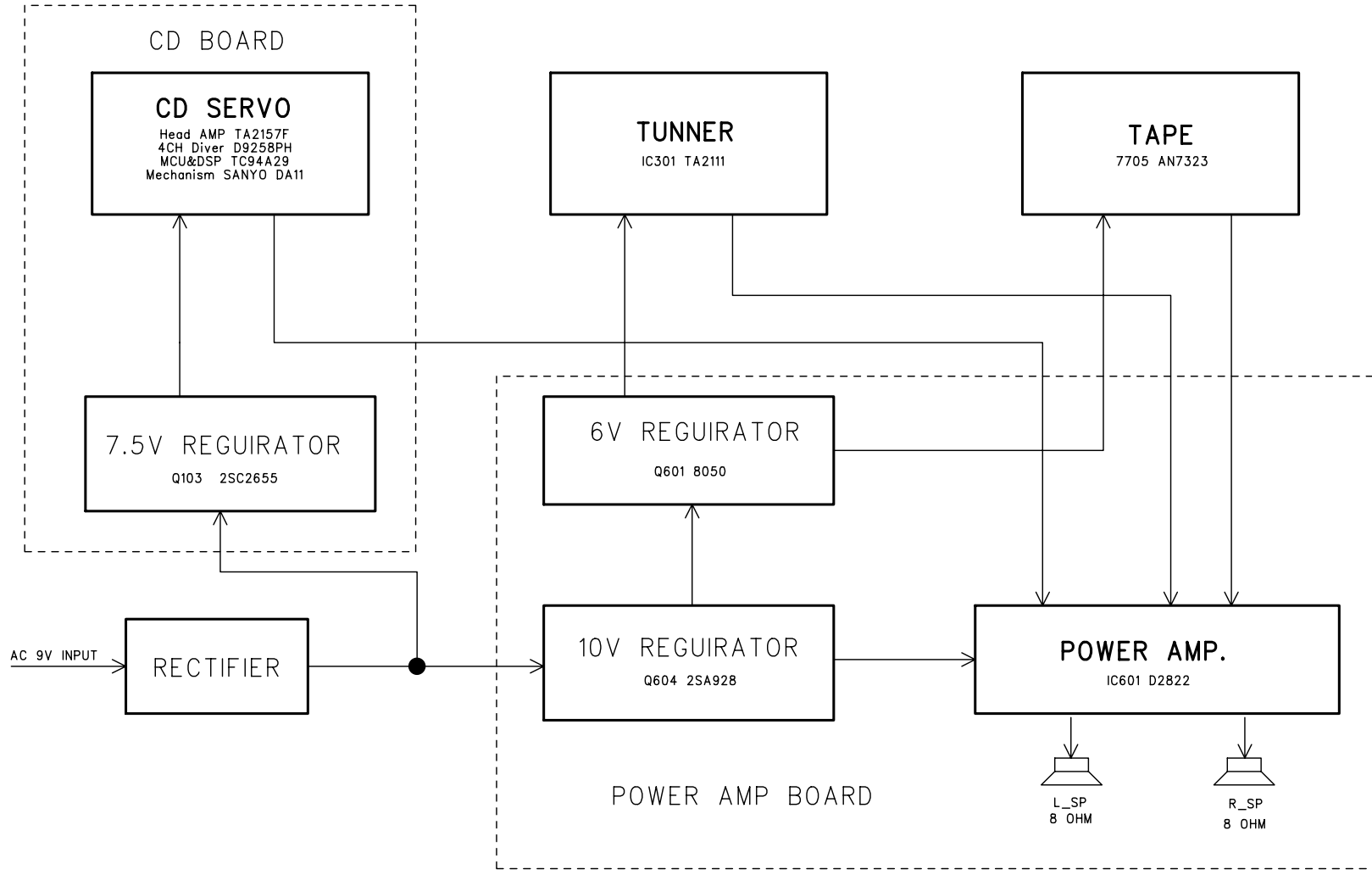
Published by YM 0511 Service Audio Printed in The Netherlands Subject to modification

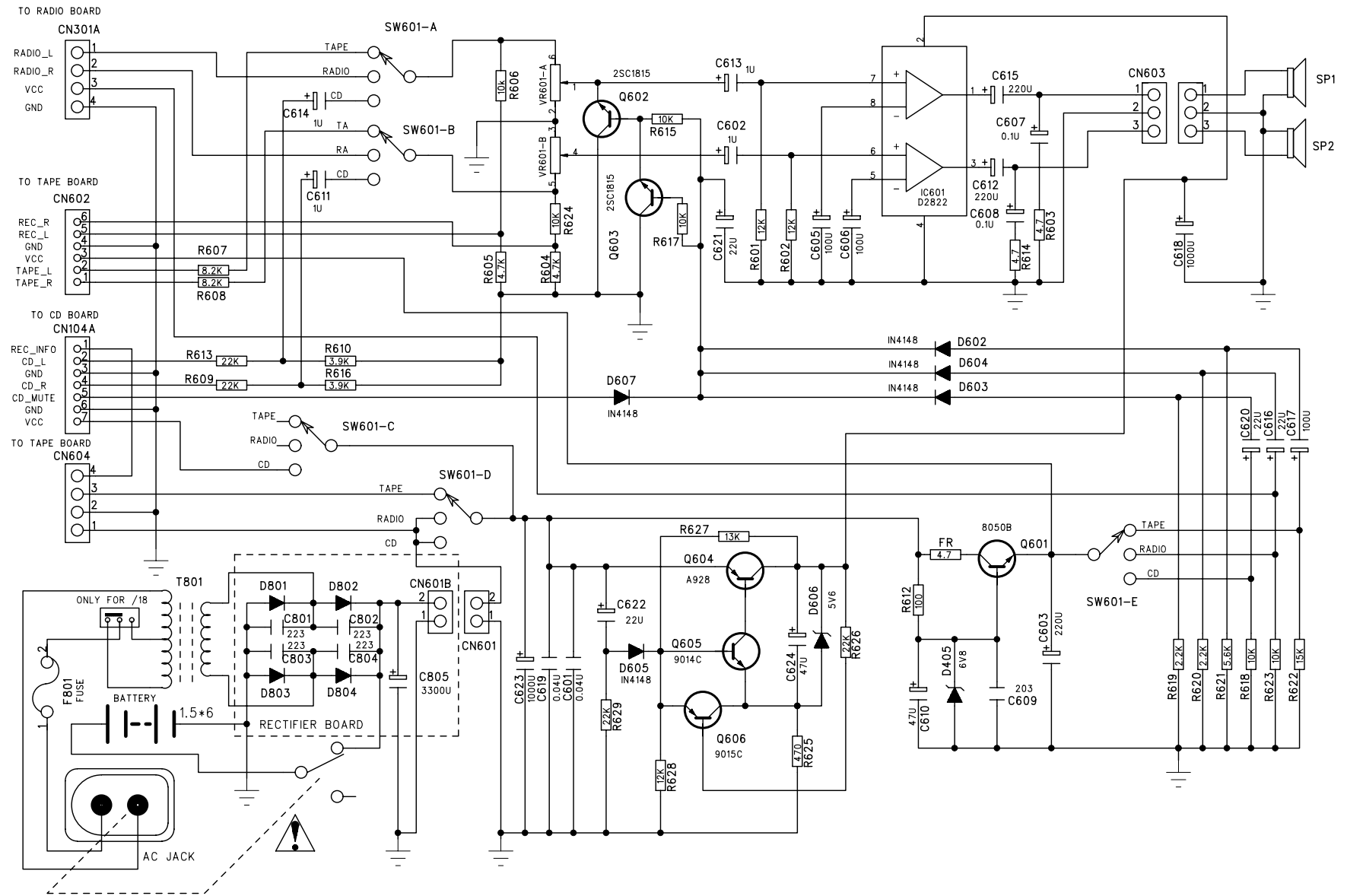
3141 785 30280

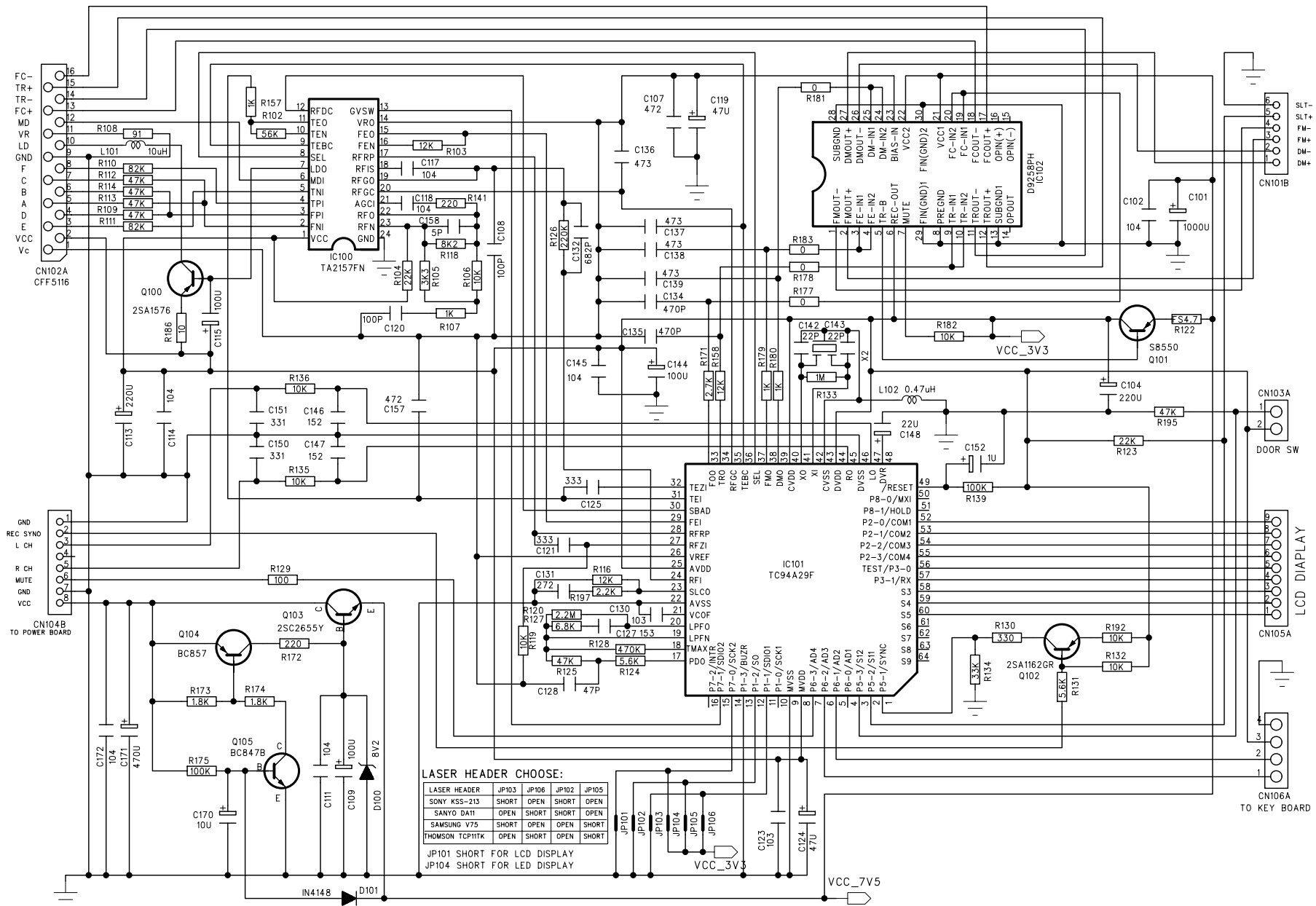
Version 1.0



PHILIPS



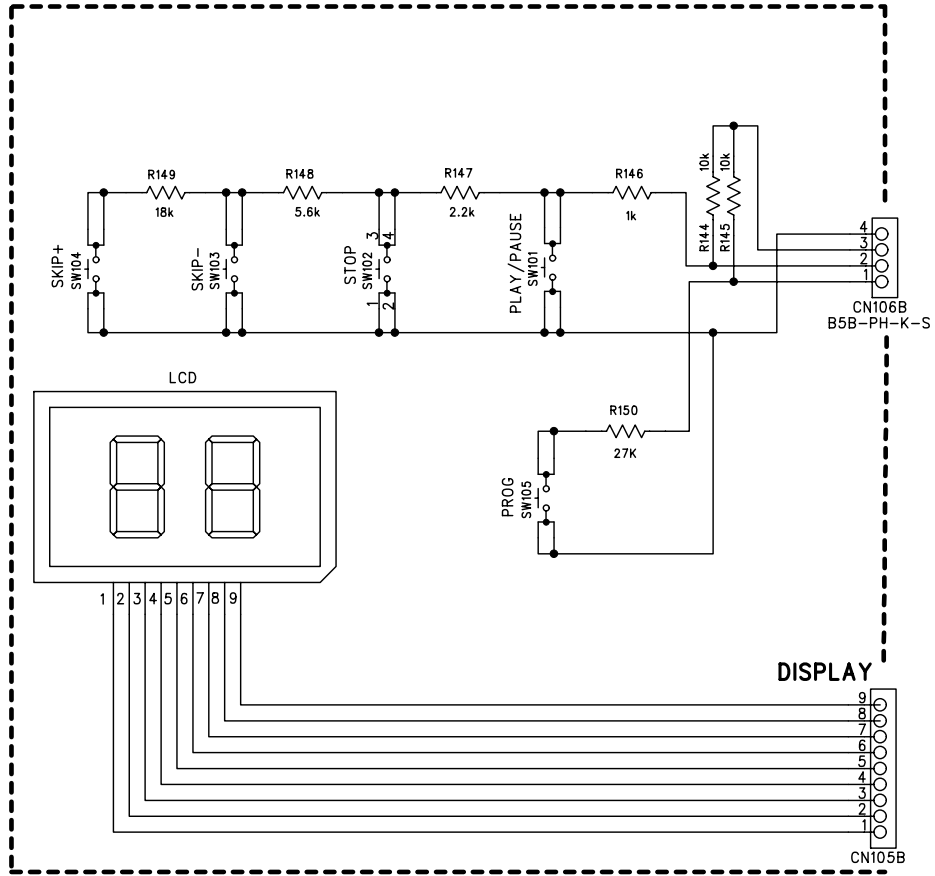


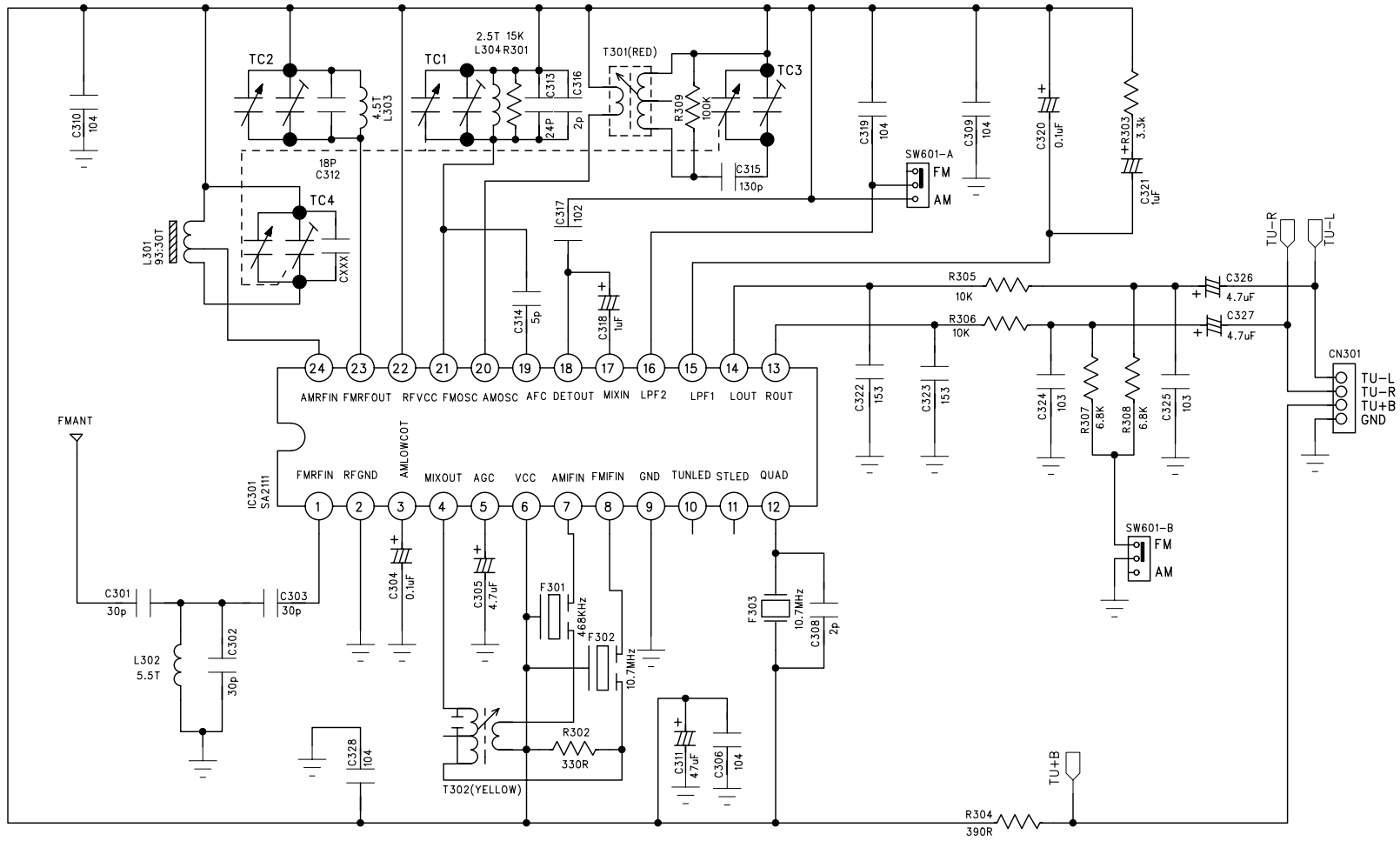


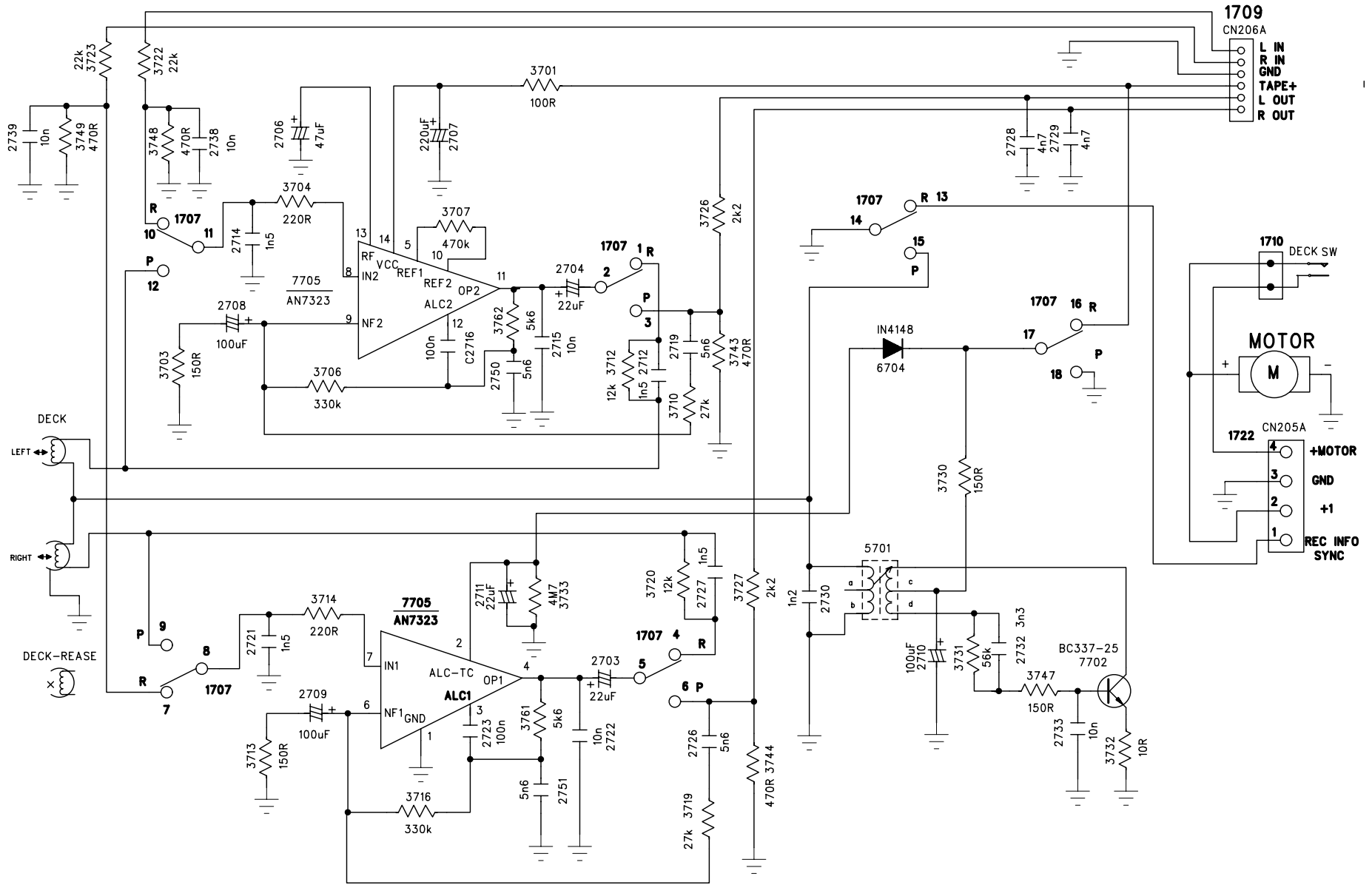
LASER HEADER CHOOSE:

LASER HEADER	JP103	JP106	JP102	JP105
SONY KSS-213	SHORT	OPEN	SHORT	OPEN
SANYO DAI1	OPEN	SHORT	SHORT	OPEN
SAMSUNG V75	SHORT	OPEN	OPEN	SHORT
THOMSON TCH1TK	OPEN	SHORT	OPEN	SHORT

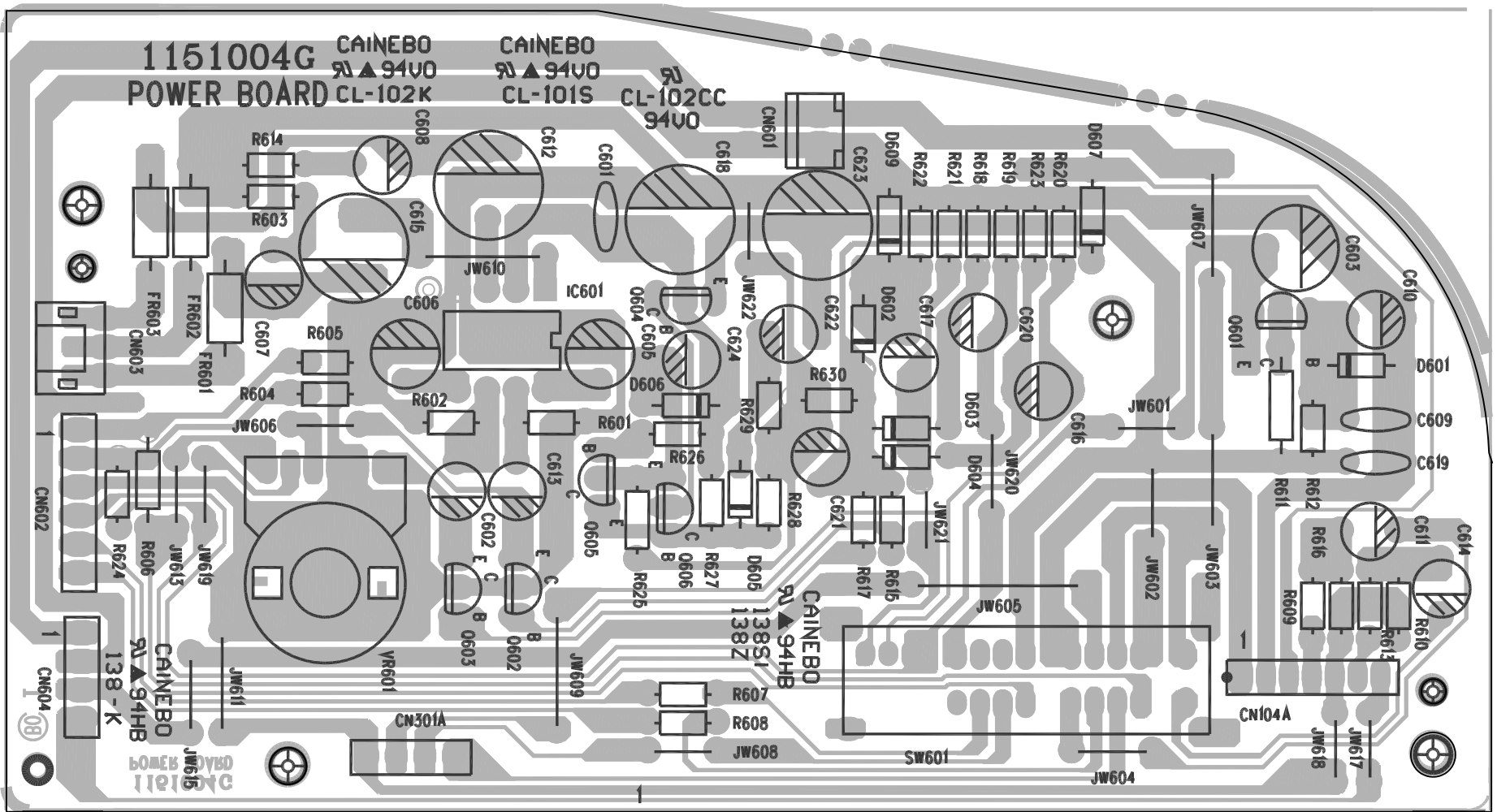
JP101 SHORT FOR LCD DISPLAY
 JP104 SHORT FOR LED DISPLAY







1151004G CAINEB0 CL-102K
POWER BOARD 94V0
CAINEB0 CL-101S
CAINEB0 CL-102CC
94V0



POWER BOARD
1151004G

CN604

1

R624

R606

R603

CN603

FR603

CN602

FR602

FR601

R605

R604

R603

R614

R603

R603

R603

R603

R603

R603

R603

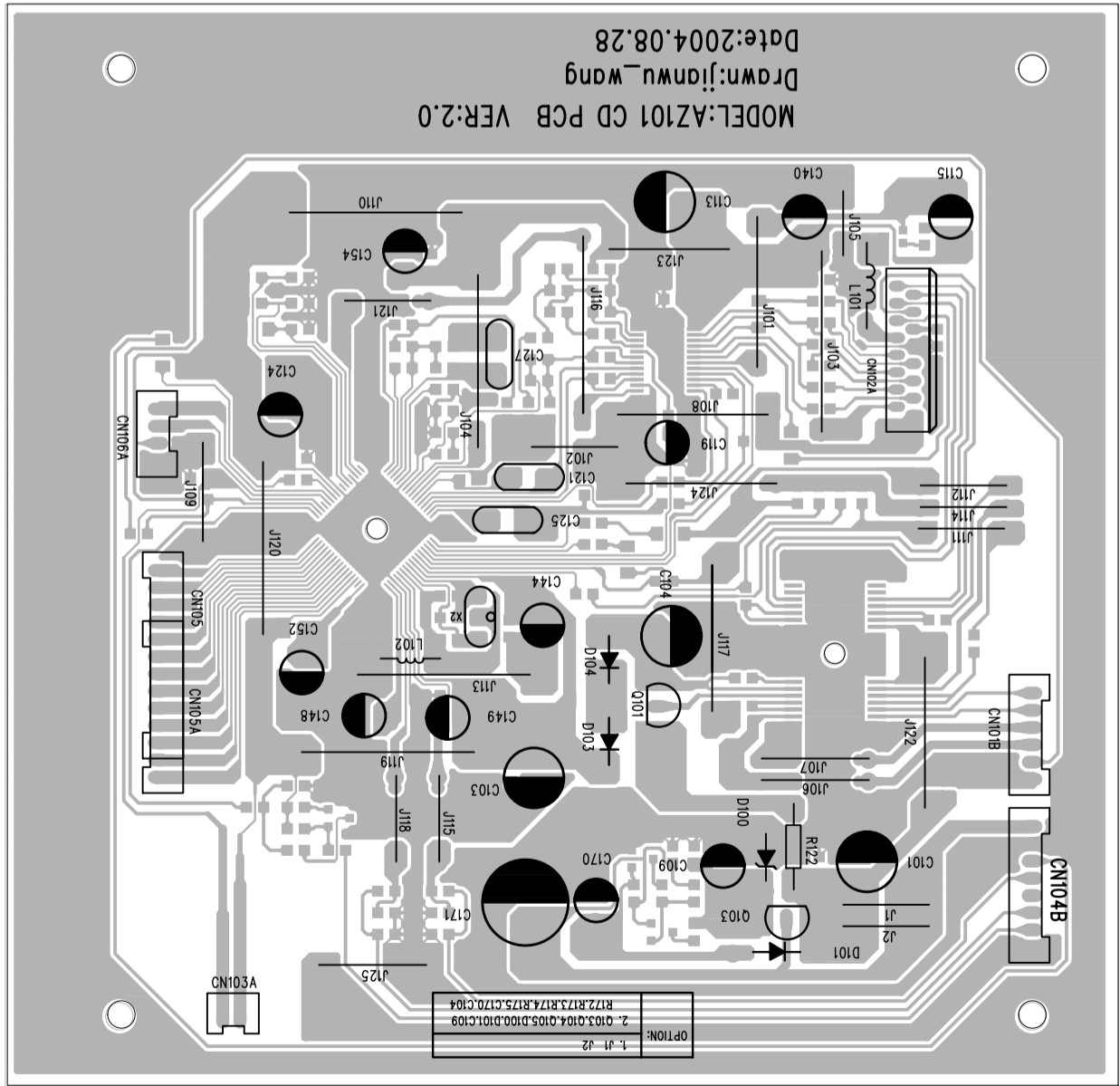
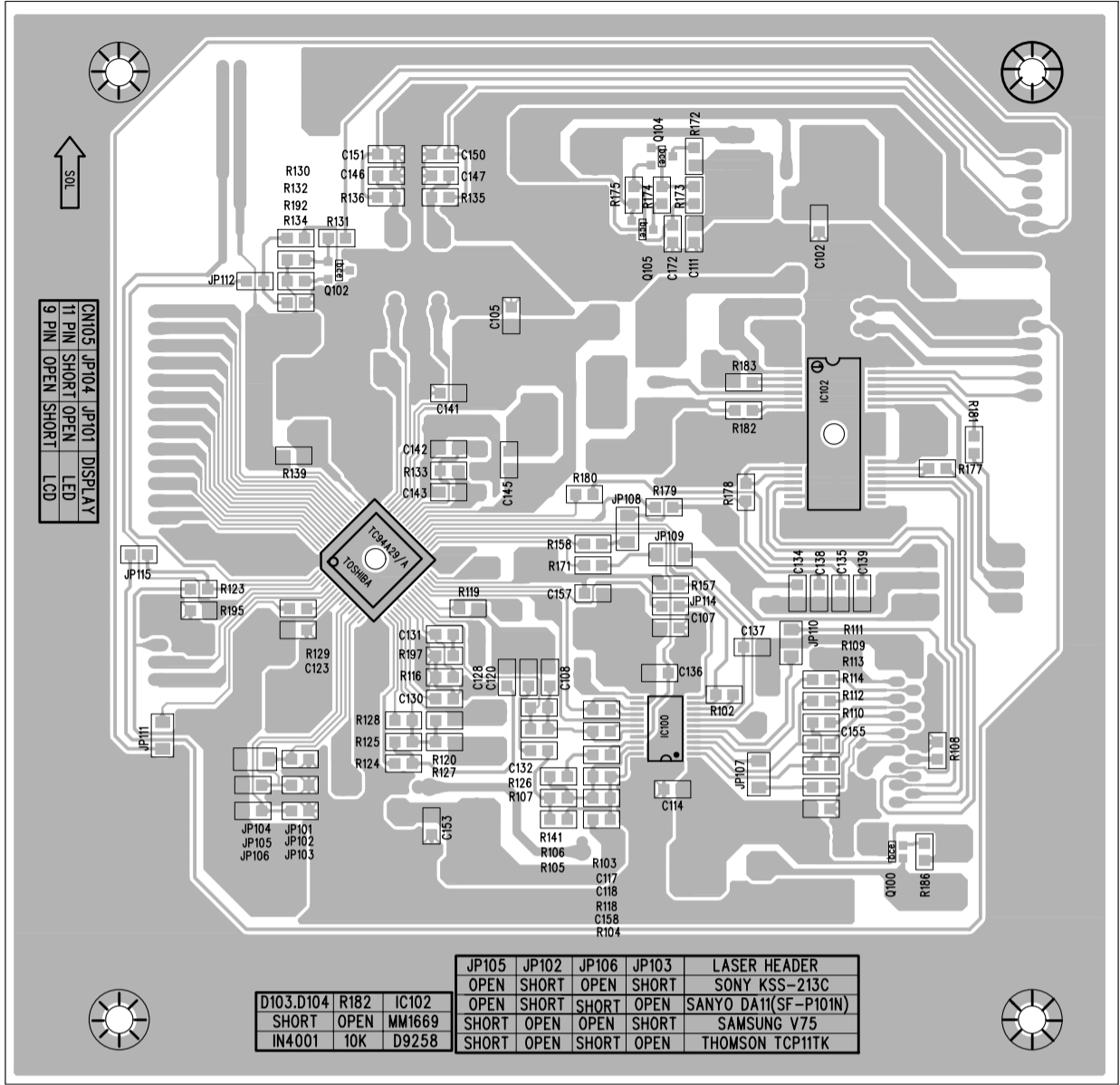
R603

R603

R603

R603

R603



MODEL:AZ101-CD-KEY
Ver:2.0
SCALE: 1:1
THK:1.6MM (KB)

COMPONENT SIDE
2004-9-4

