

Service
Service
Service



Service Manual

AZ1017 is classified as exchange models.
This manual only gives some diagrams for basic repair in some regions.



TABLE OF CONTENTS

Service Partslist2

Block diagram3

CD Key board
 Circuit diagram4
 Layout diagram4

Tuner board
 Circuit diagram5
 Layout diagram6

Main board
 Circuit Diagram..... 7-9
 Layout diagram10-11



© Copyright 2006 Philips Consumer Electronics B.V. Eindhoven, The Netherlands
All rights reserved. No part of this publication may be reproduced, stored in a retrieval system or transmitted, in any form or by any means, electronic, mechanical, photocopying, or otherwise without the prior permission of Philips.

Published by YT 0612 Service Audio Subject to modification

GB 3141 785 31070

Version 1.0

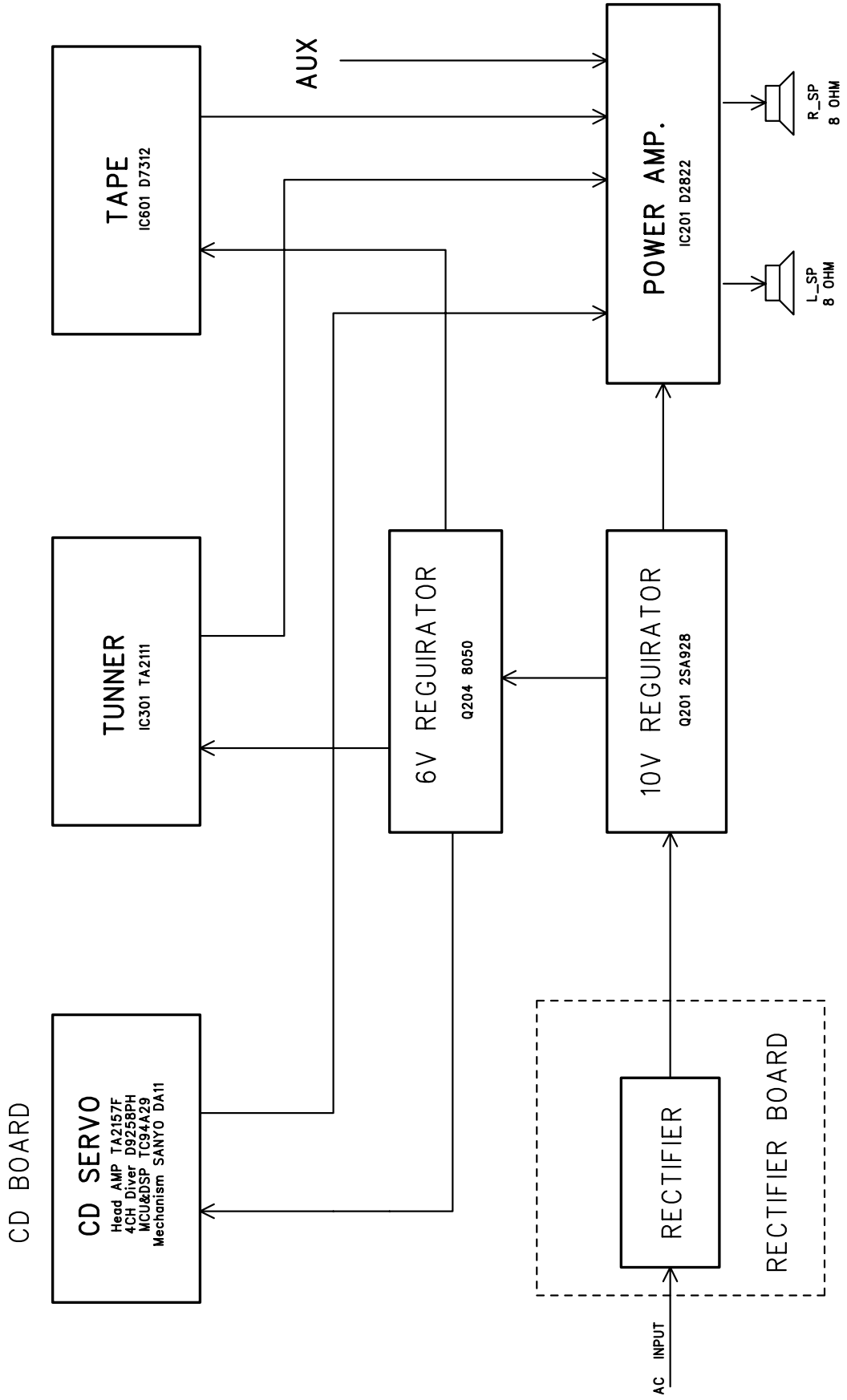


PHILIPS

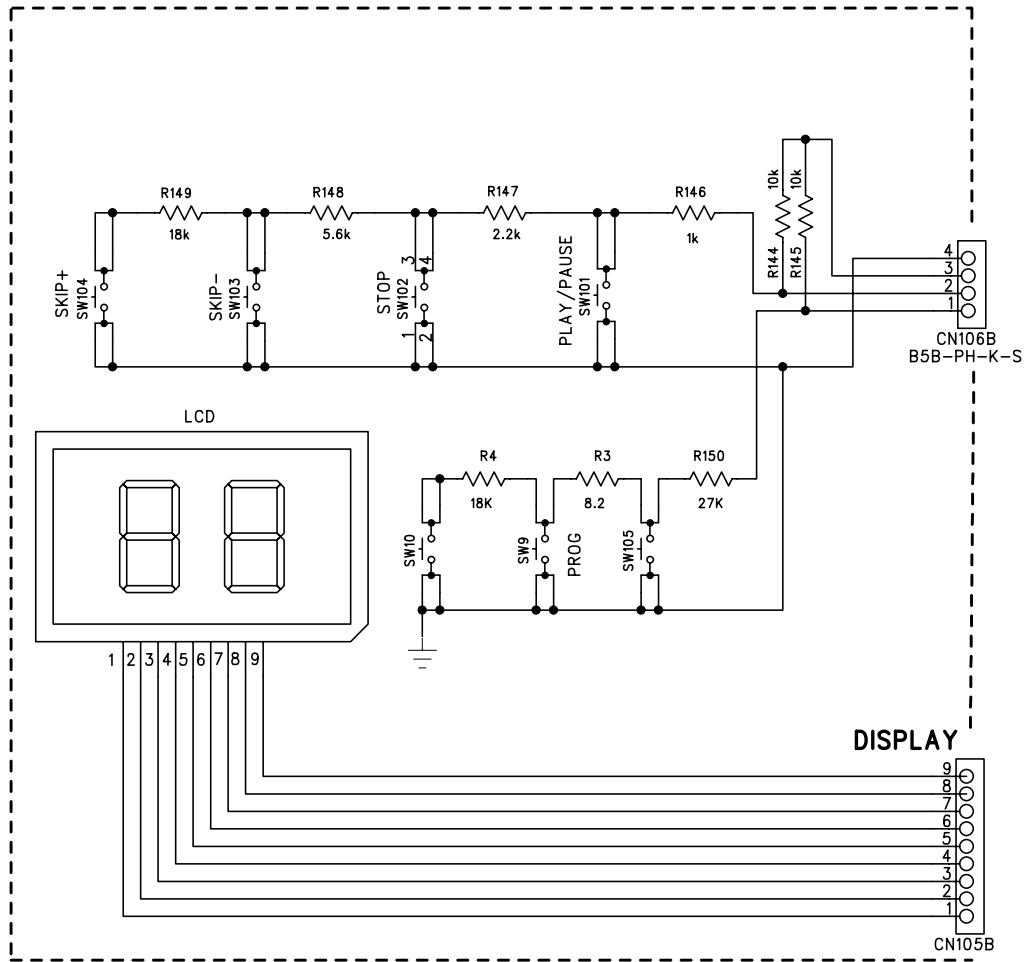
SERVICE PARTSLIST

9940 000 05116	BATTERY DOOR
9940 000 05117	CASSETTE DOOR
9940 000 05118	CD DOOR
9940 000 05113	CASSETTE DOOR SPRING
9940 000 05114	CD DOOR SPRING
9940 000 05115	CD DAMPER BLACK 658PH
9940 000 00168	CD DAMPER PINK 658F
9940 000 02364	ROD ANTENNA 2-SECTIONS L:420MM
9940 000 01476	CASSETTE DECK MECHANISM
9940 000 03392	CD MECHANISM DA11B3VF
9940 000 03283	ROTARY VOLUME F-122KGP B50K
4822 278 90739	CD DOOR SWITCH 1P2T LS-323-O
9940 000 05119	SPEAKER 8 OHM 1W 3 INCH
9940 000 03395	TRANSFORMER EI-41 120/230V
9940 000 05097	POWER CORD SET 5 FEET VDE APP.

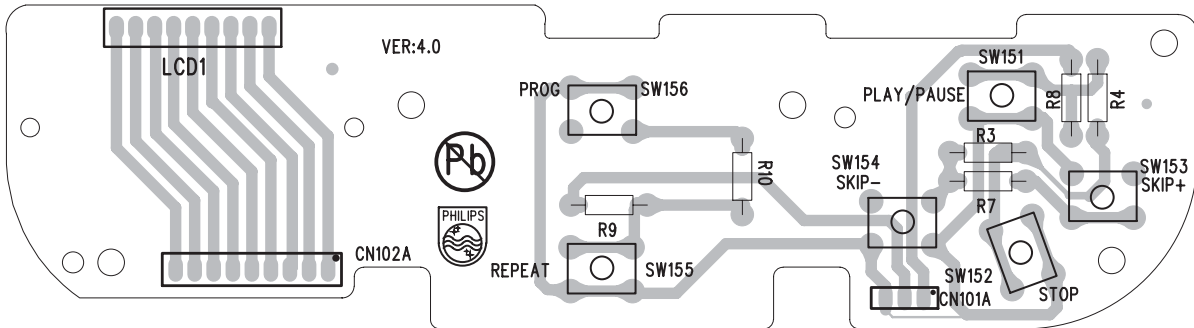
SET BLOCK DIAGRAM



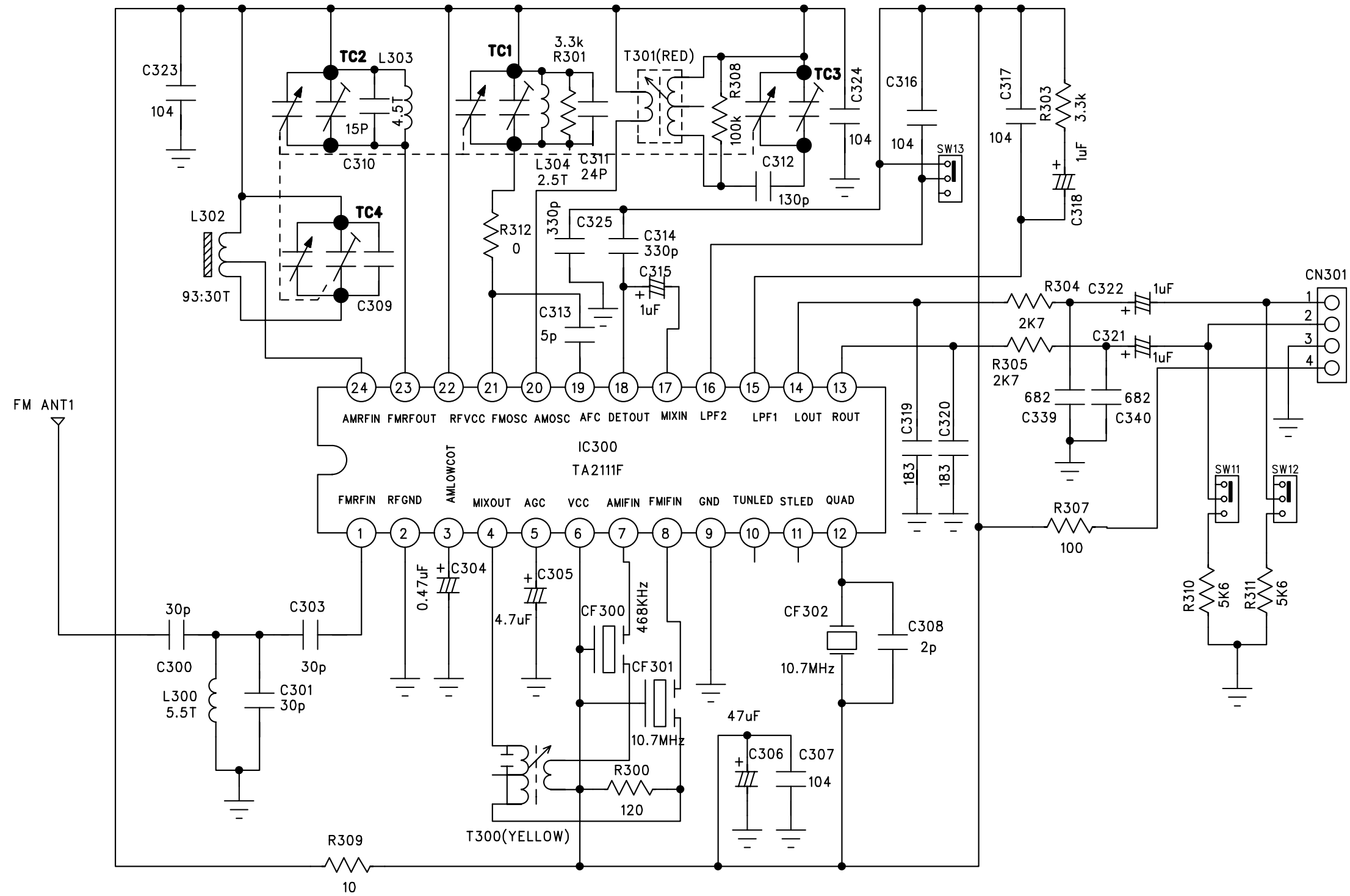
CD KEY BOARD - CIRCUIT DIAGRAM



CD KEY BOARD - LAYOUT DIAGRAM

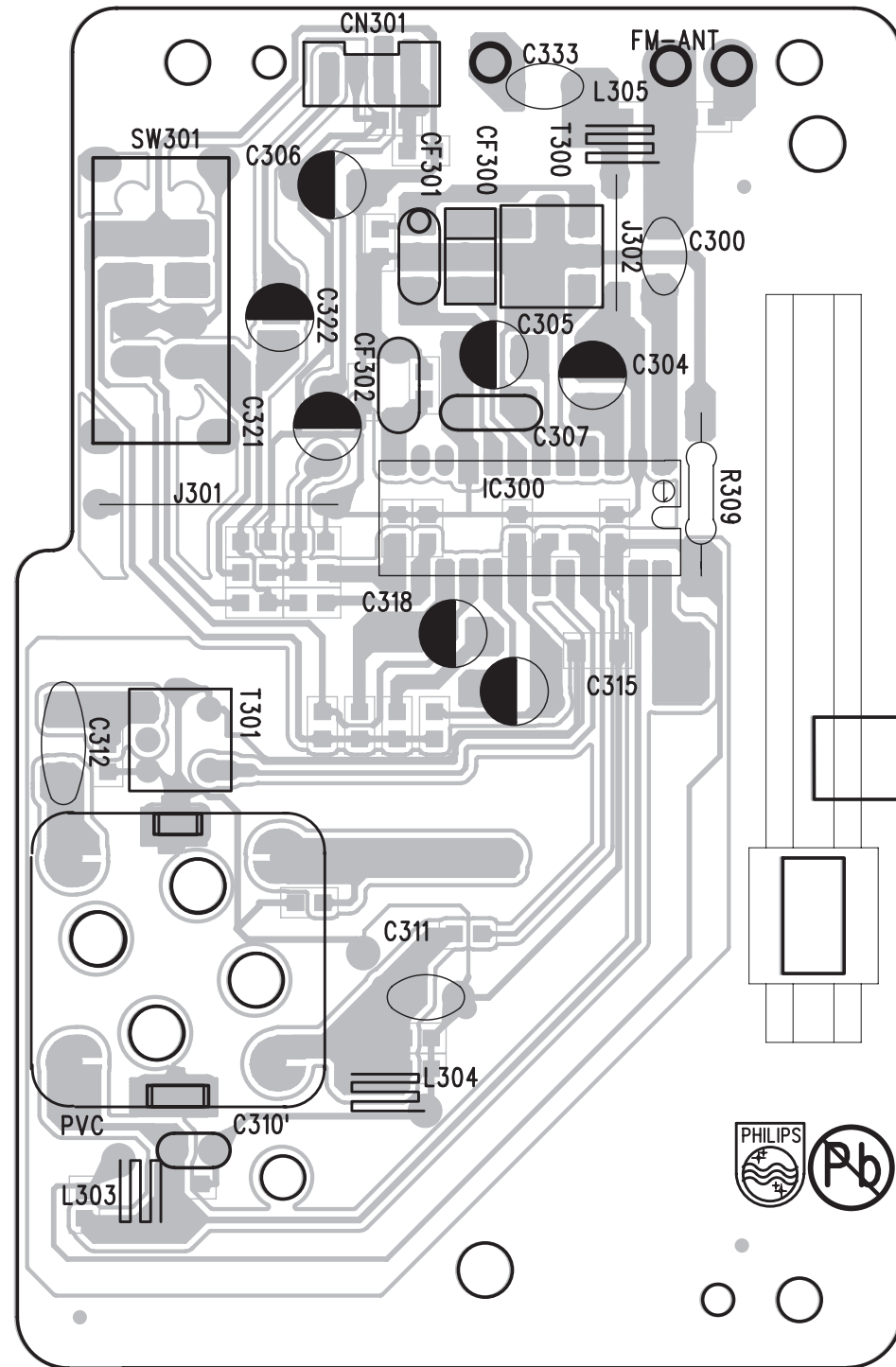


TUNER BOARD - CIRCUIT DIAGRAM

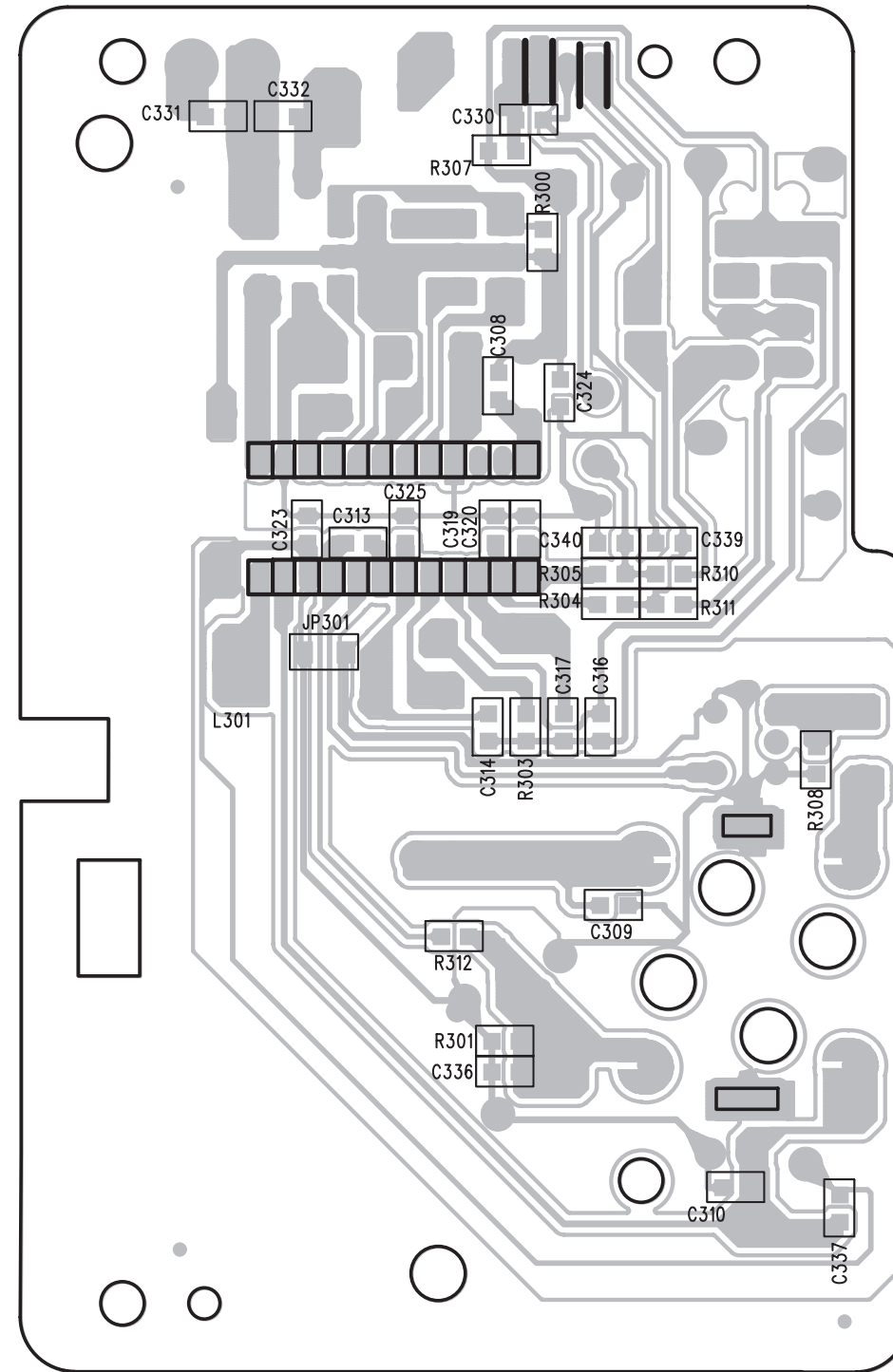


TUNER BOARD - LAYOUT DIAGRAM

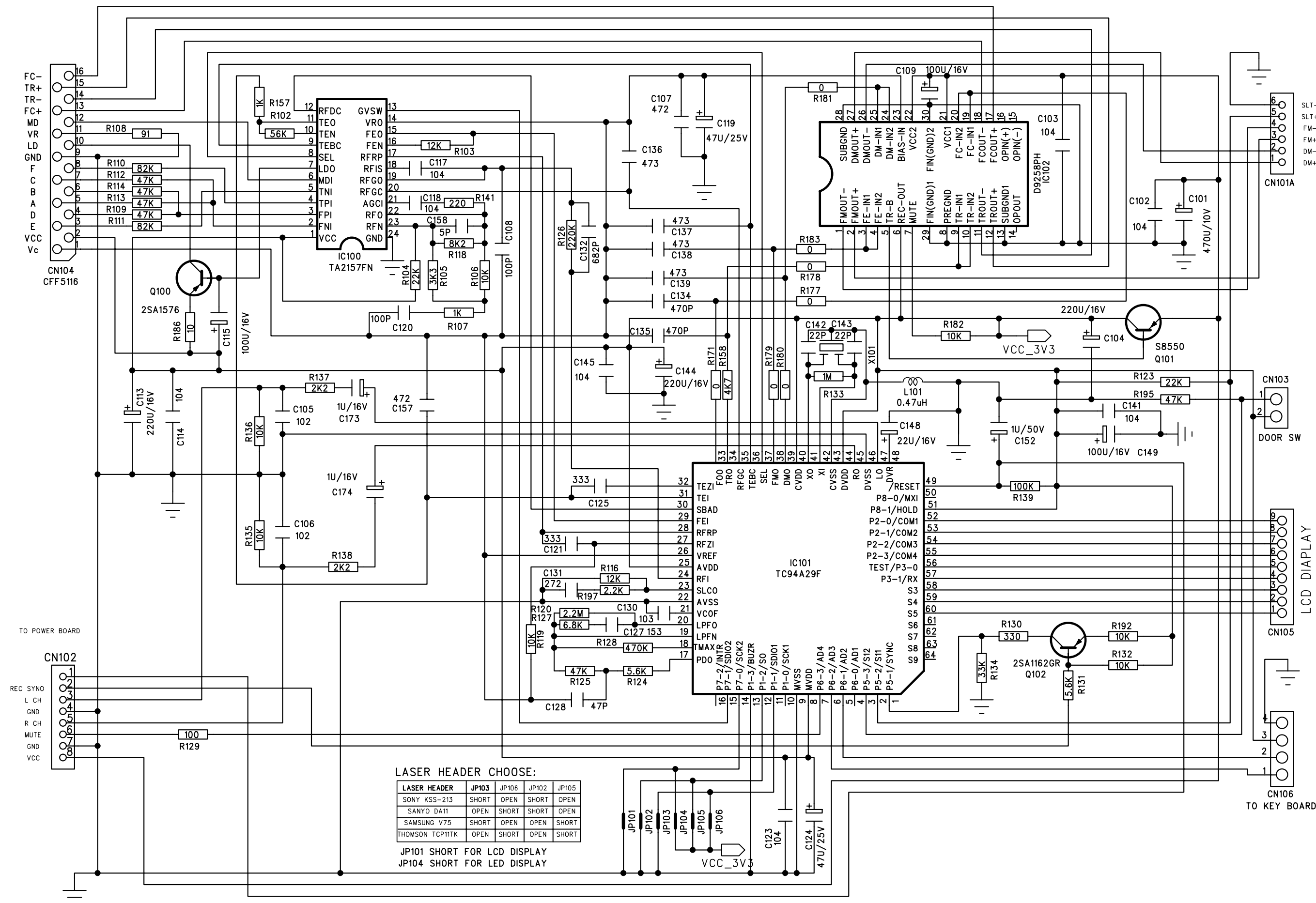
COMPONENT SIDE



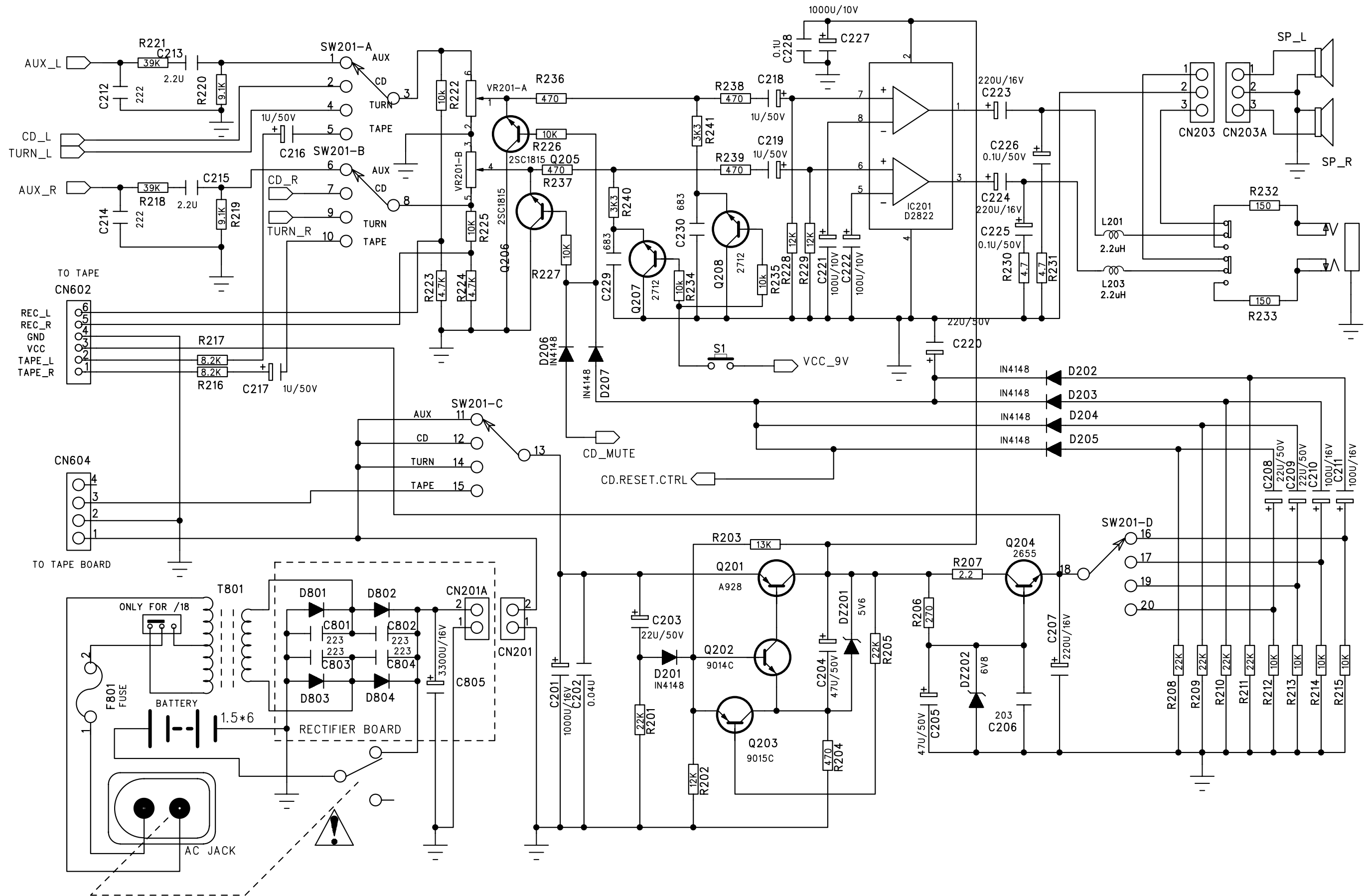
COPPER SIDE



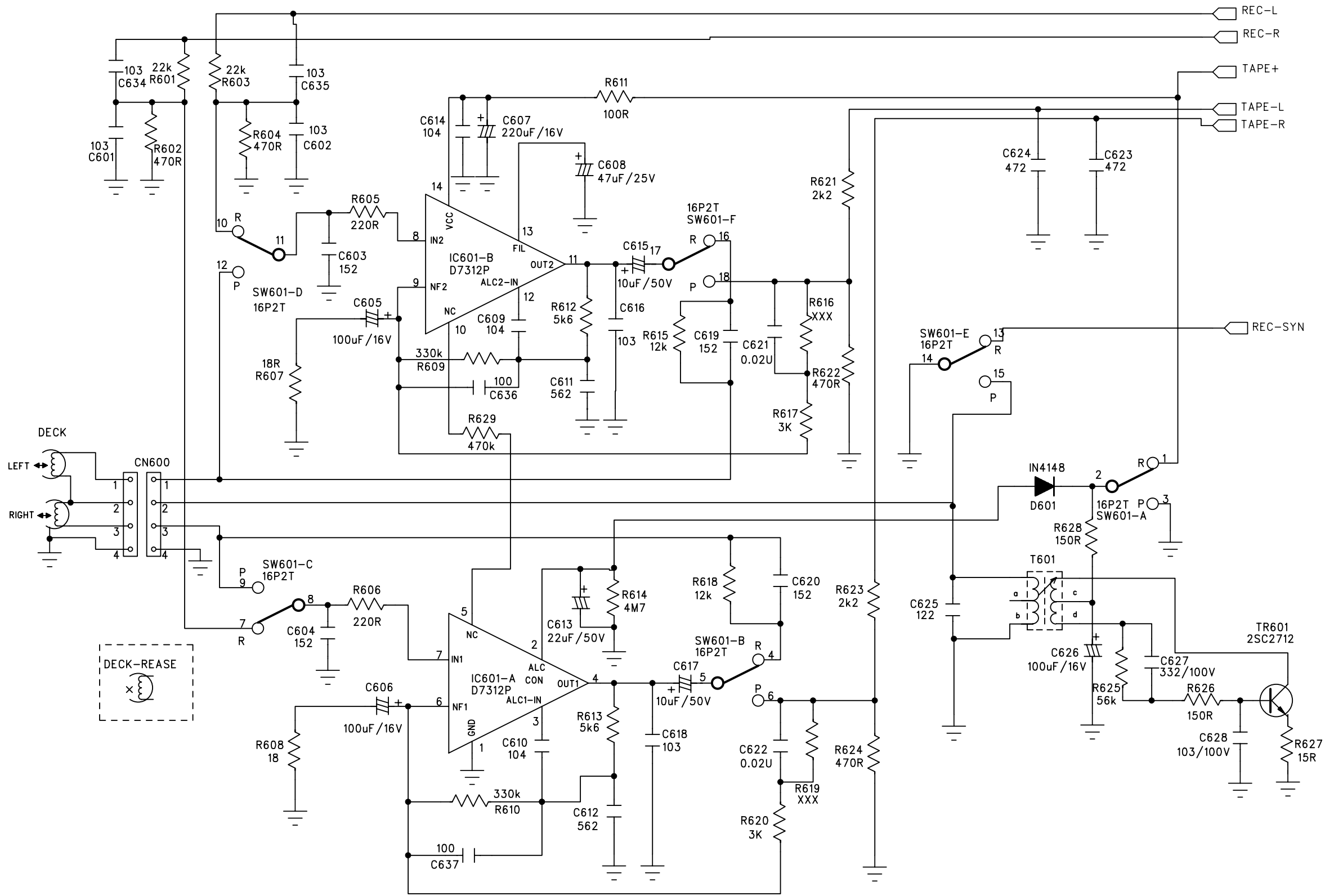
MAIN BOARD - CIRCUIT DIAGRAM (CD)



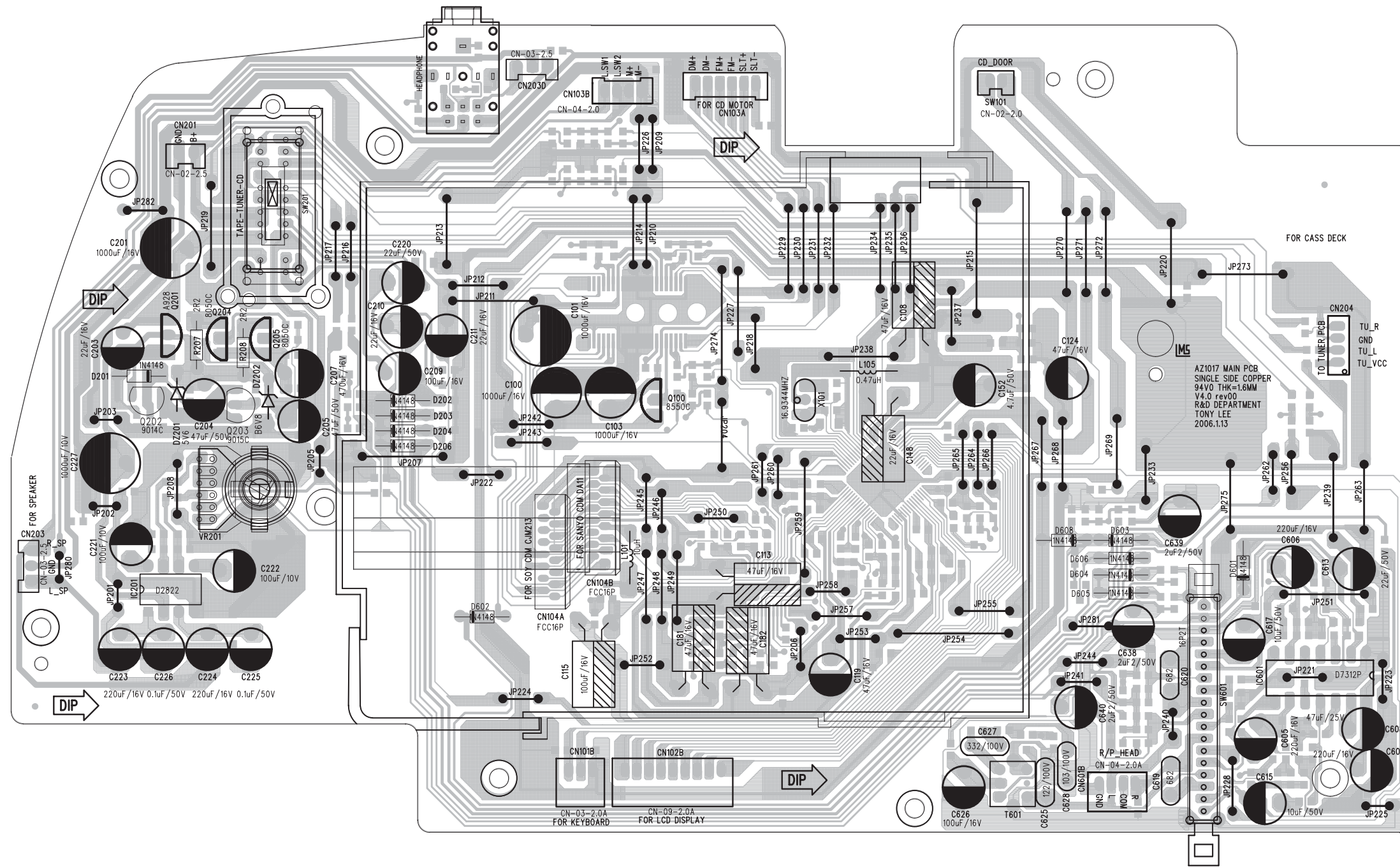
MAIN BOARD - CIRCUIT DIAGRAM (POWER AMP)



MAIN BOARD - CIRCUIT DIAGRAM (CASSETTE)



MAIN BOARD - LAYOUT DIAGRAM (TOP)



AZ1017 MAIN PCB
 SINGLE SIDE COPPER
 94V0 THK=1.6MM
 V4.0 rev00
 R&D DEPARTMENT
 TONY LEE
 2006.1.13

MAIN BOARD - LAYOUT DIAGRAM (BOTTOM)

