

Service
Service
Service



Service Manual



CONTENTS

Block diagram 1-1
Wiring diagram 2-2

Circuit Diagram - Main board

 CD & Display part 3-1
 Tuner & Power part 4-1

layout diagram - Main board

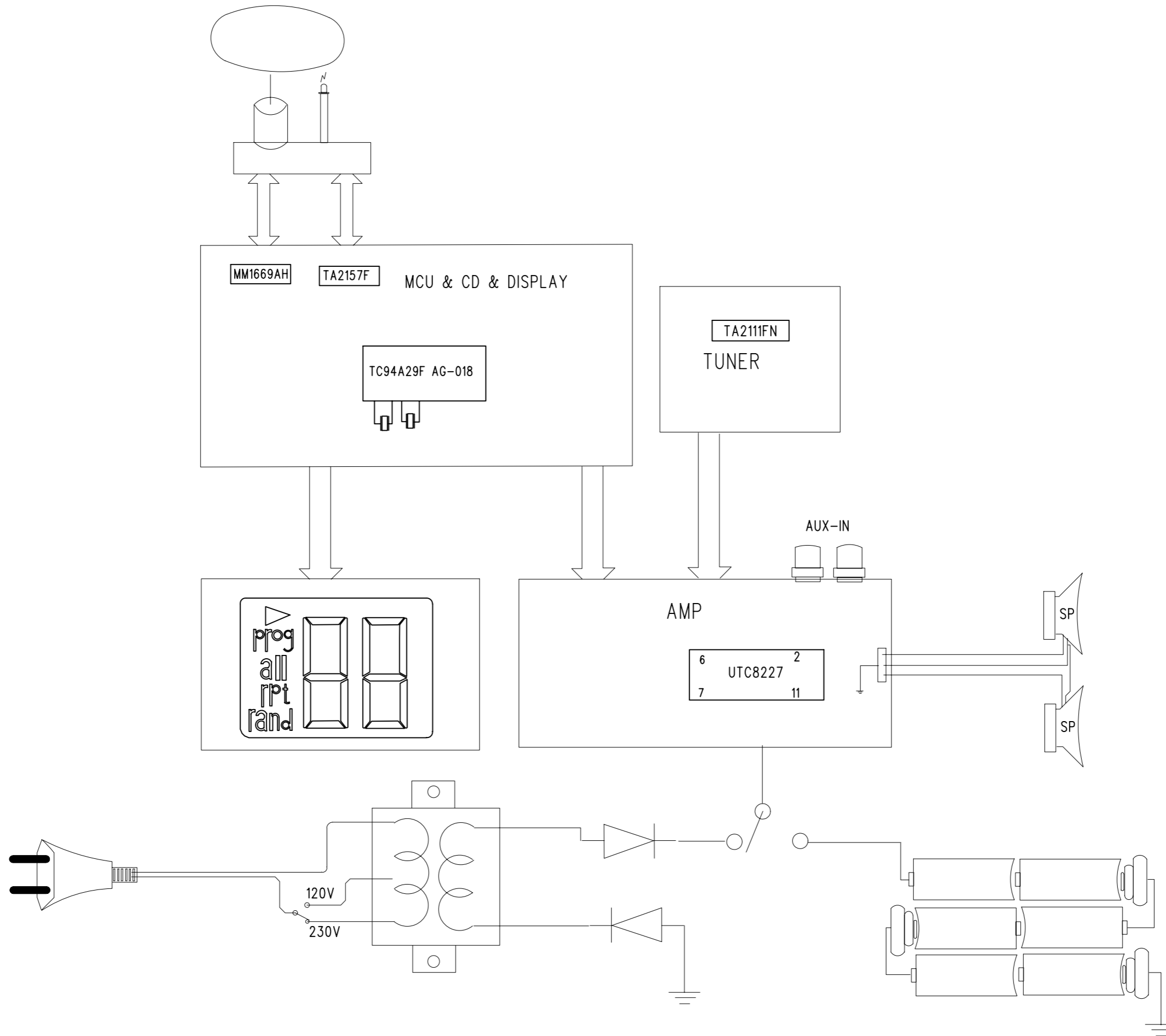
 Component side view 5-1
 Copper side view 6-1

Service parts list 7-1..7-4

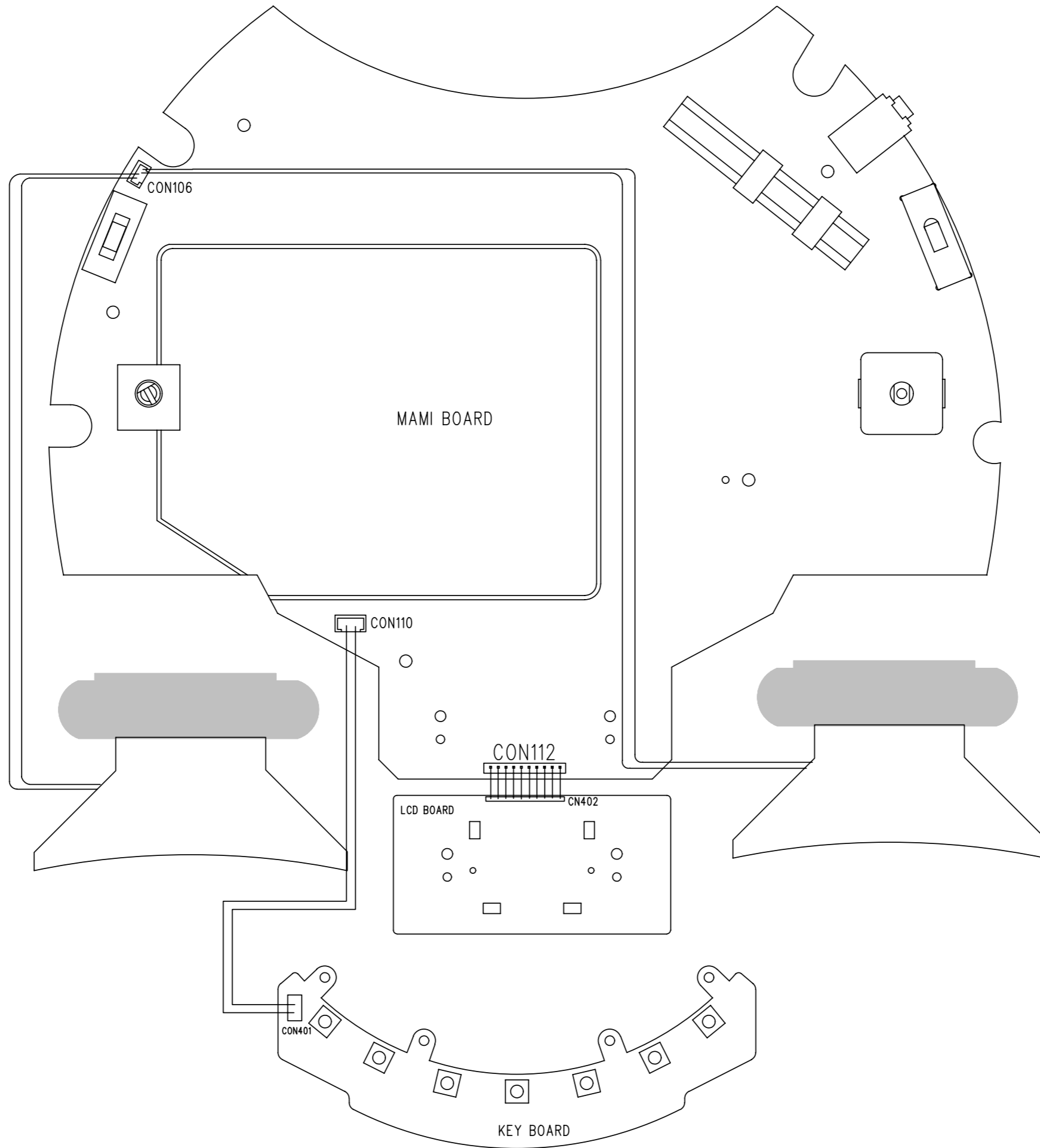
© Copyright 2011 Philips Consumer Electronics B.V. Eindhoven, The Netherlands
All rights reserved. No part of this publication may be reproduced, stored in a retrieval system or transmitted, in any form or by any means, electronic, mechanical, photocopying, or otherwise without the prior permission of Philips.



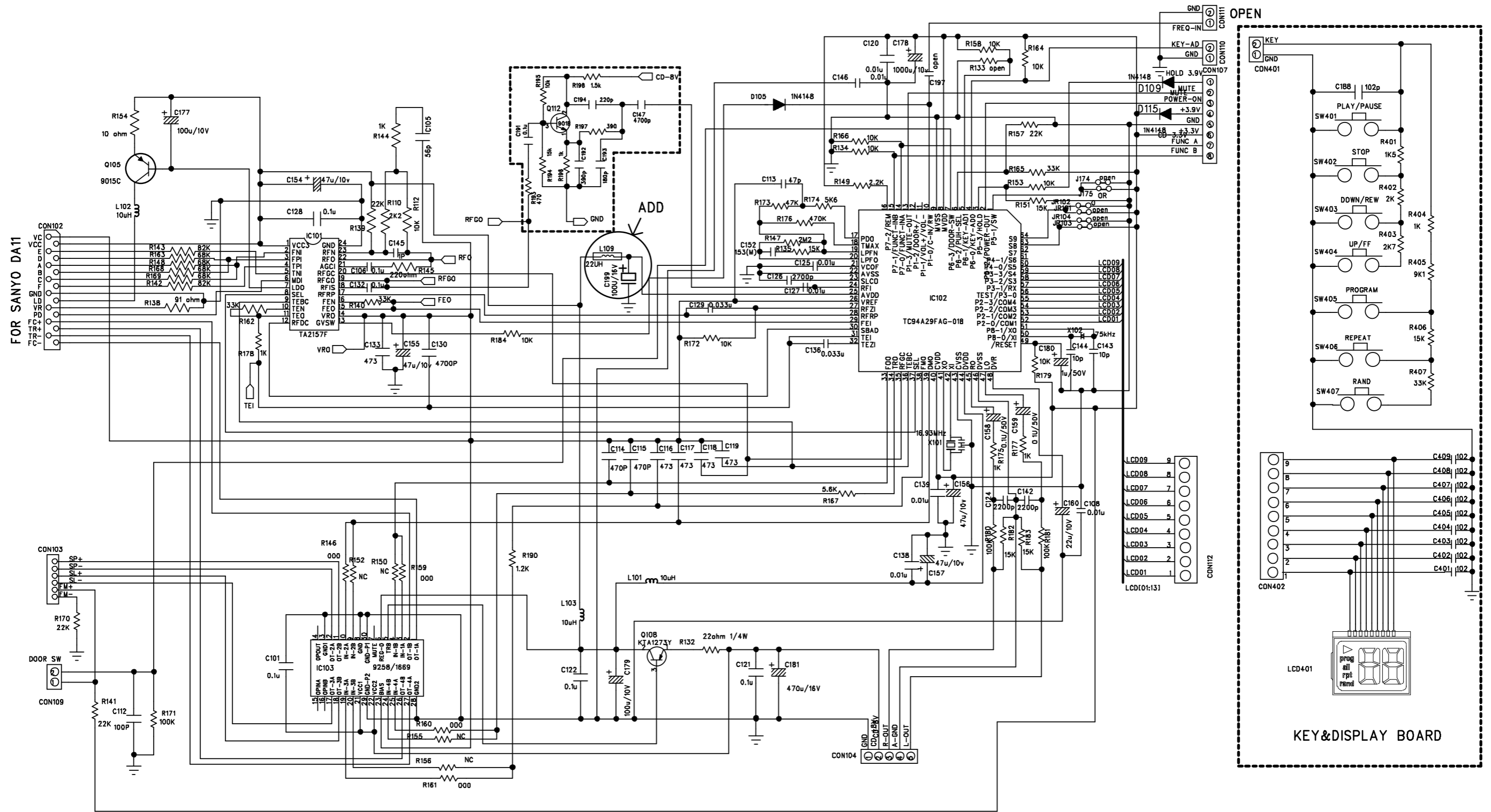
SET BLOCK DIAGRAM



SET WIRING DIAGRAM



**CIRCUIT DIAGRAM - MAIN BOARD
CD & DISPLAY PART**

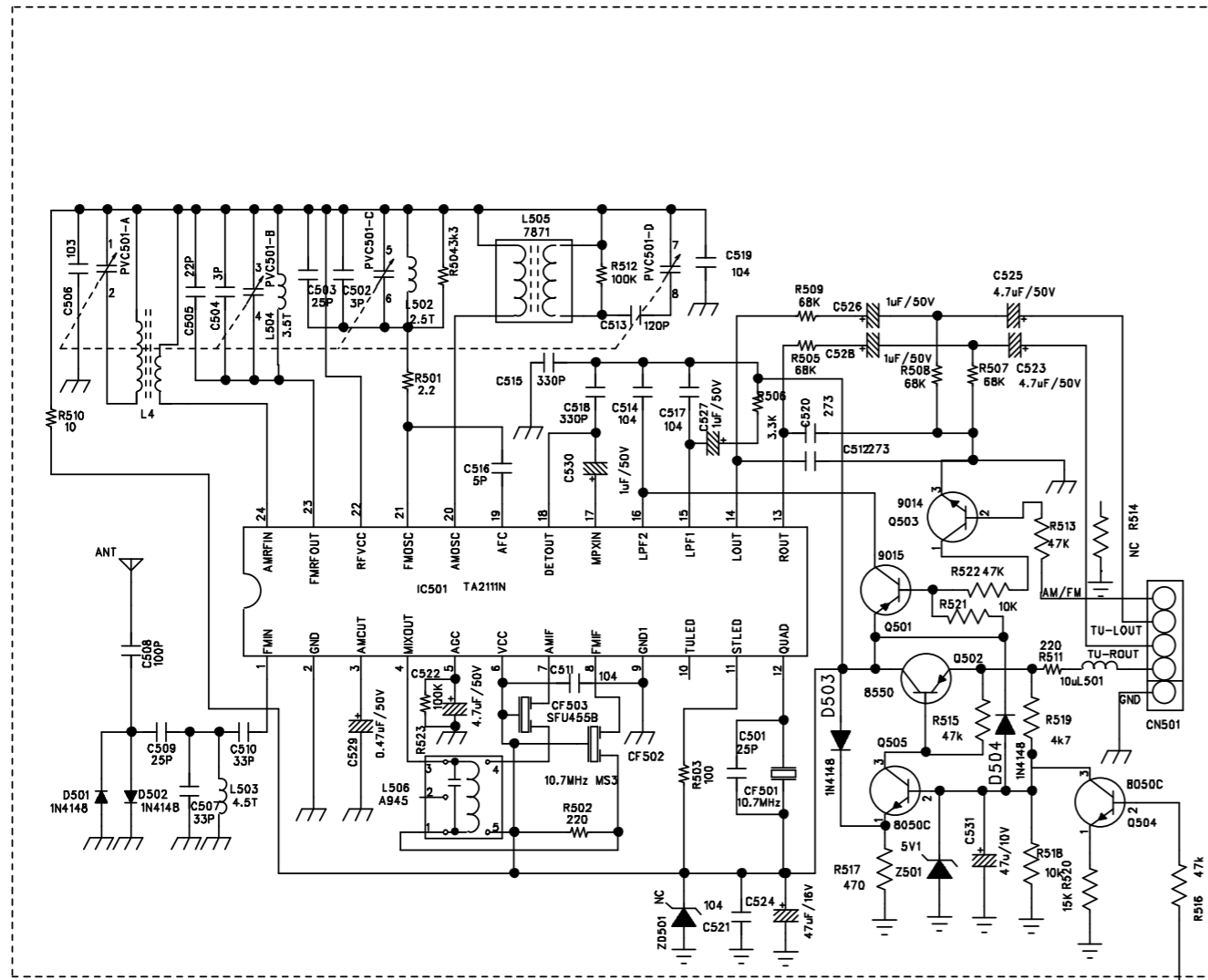


IC303	R7/8/9/10	R11/12/13/14
MM1669AH	NC	YES
9258D	YES	NC

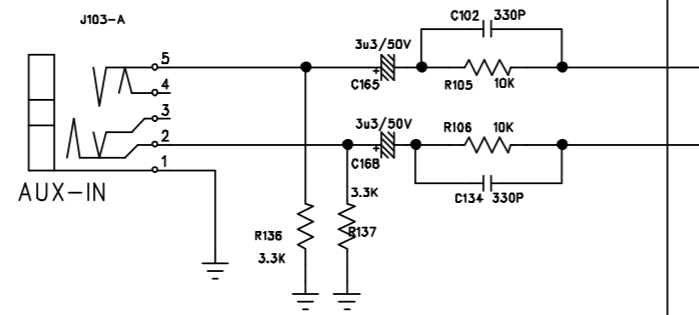
PUH SEL(6pin)	R165	R157
SANYO DA11	MW 9K	33K
	AM 10K	22K

Fuction	FUNCT-A	FUNCT-B
AUX	H	H
CD	H	L
TUNER	L	H

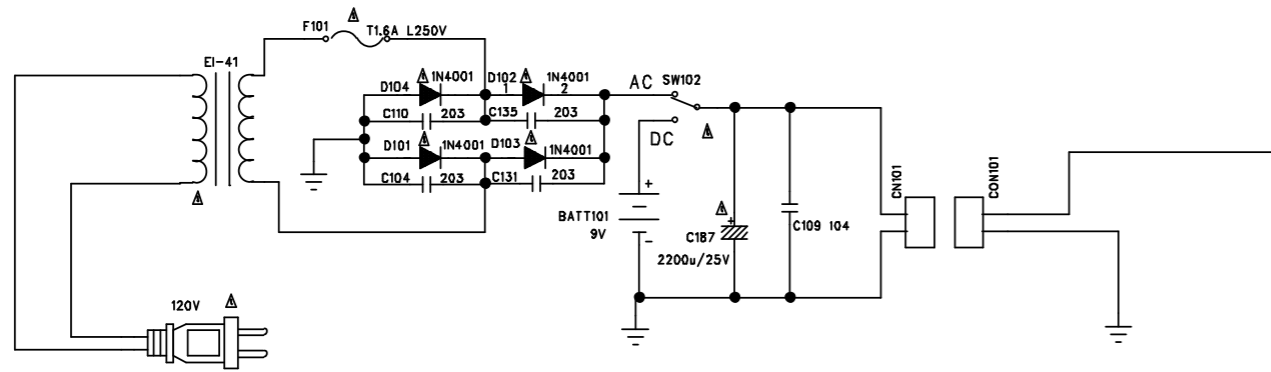
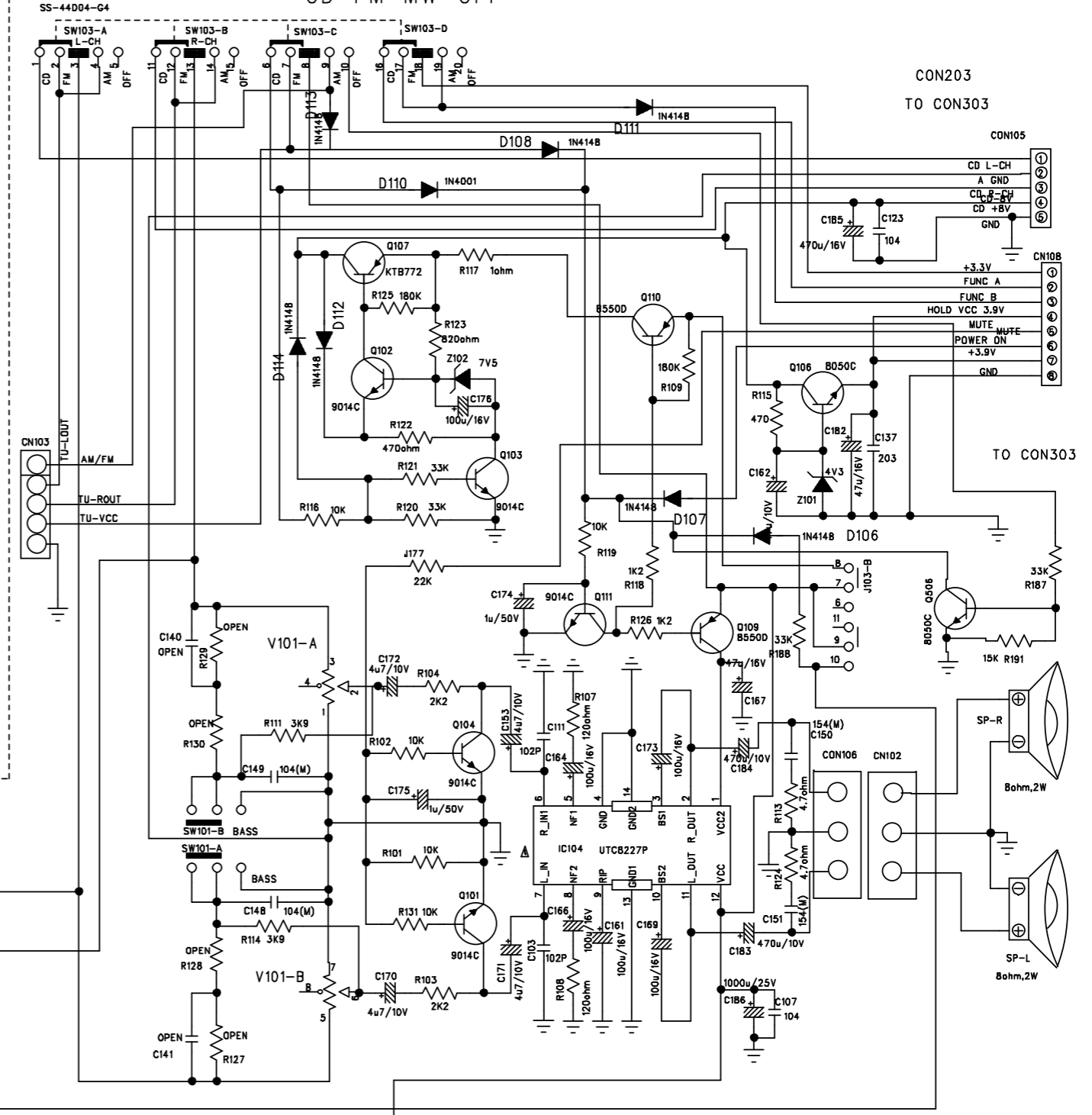
CIRCUIT DIAGRAM - MAIN BOARD
TUENR & POWER PART



TA2111			
16pin		15pin	
VCC	OPEN	VCC	OPEN
AM	FM	MONO	STEREO



MW-FM-CD-AUX
CD-FM-MW-OFF



CON203
TO CON303

CON105
CD L-CH
A GND
CD R-CH
CD +5V
GND

CON108
+3.3V
FUNC A
FUNC B
HOLD VCC 3.9V
MUTE
POWER ON
+3.9V
GND

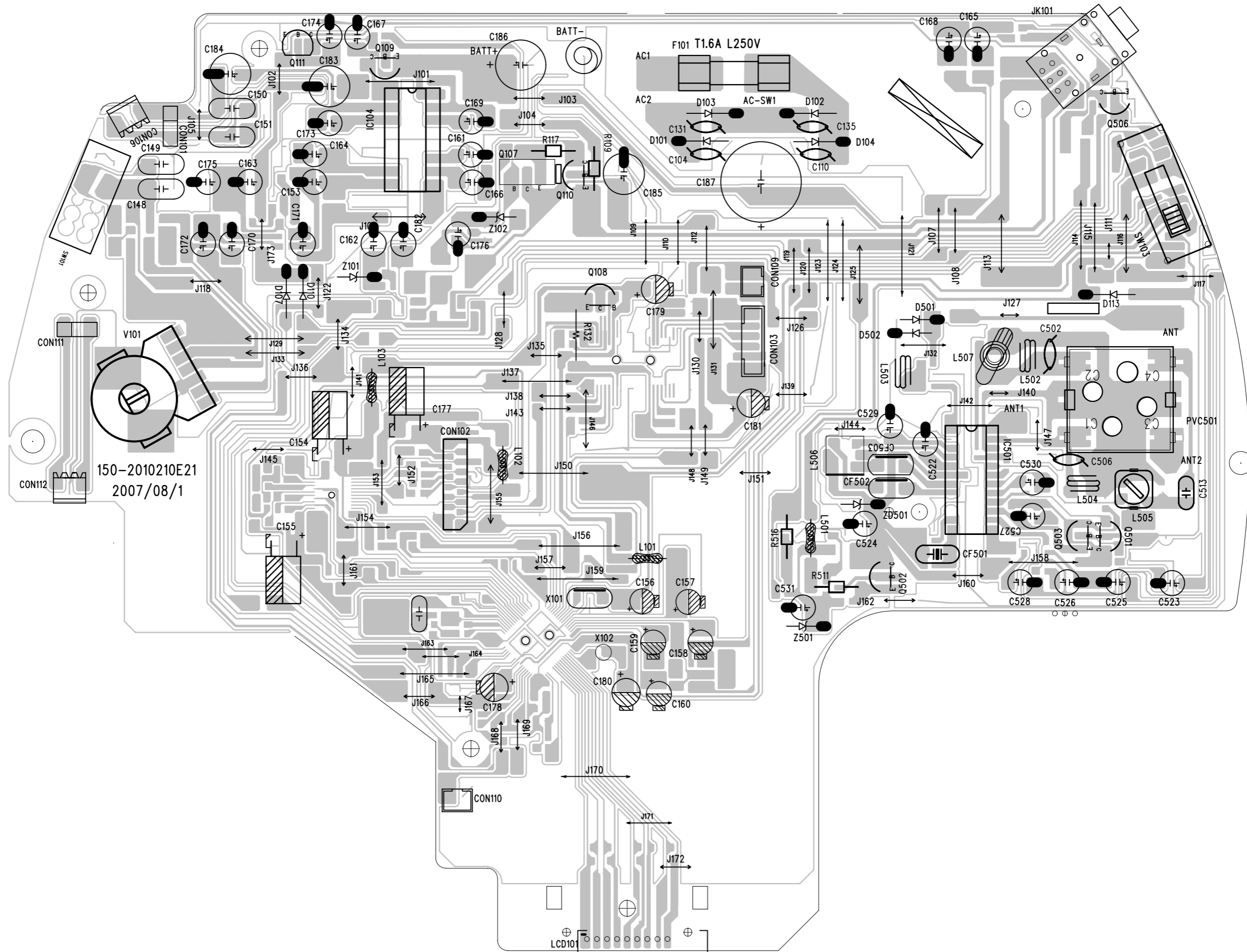
TO CON303

J103-B
7
8
9
10
11
12

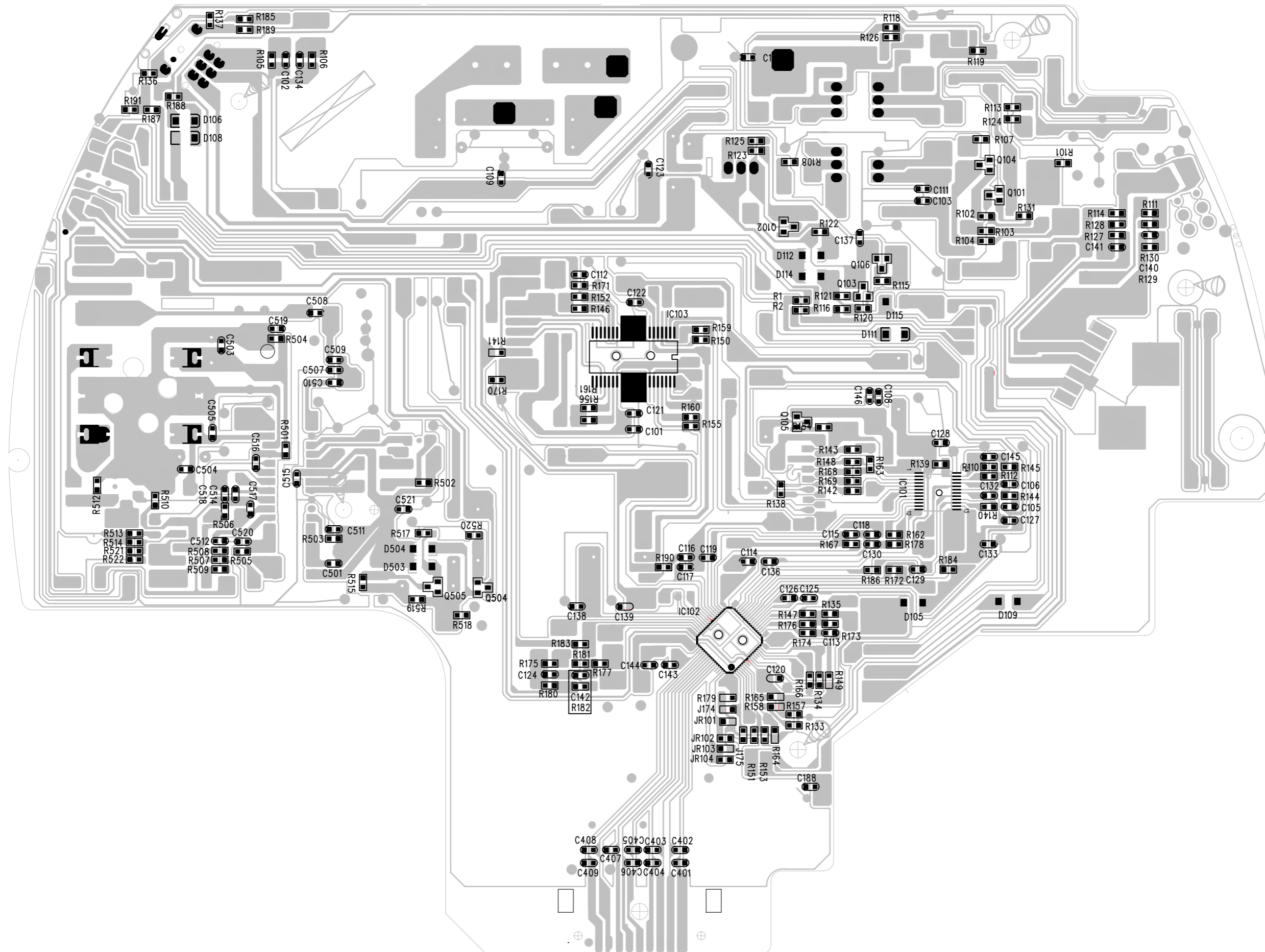
SP-R
Bohm, 2W

SP-L
8ohm, 2W

LAYOUT DIAGARM - MAIN BOARD COMPONENT SIDE VIEW



LAYOUT DIAGARM - MAIN BOARD COPPER SIDE VIEW



Service parts list(only for AZ102S/98/79)

10	996510011818	AZ102 TRAN. EI-41 EML2248MT(-/98)
10	996510018032	TRANSFORMER EML-2246ST (-/79)
11	994000005189	7871 CD RUBBER CUSHION PINK
12	994000004061	7871 CD RUBBER CUSHION BLACK
15	996510010491	CD MECHANISM SANYO DA11B3VF
17	996510006691	7871 CD PICK UP DUSTCOVER
19	996510010493	AZ102 CD DOOR SPING
25	994000004727	7831 GEAR STAND (MODE:0.8)
26	994000004726	7831 GEAR (MODE:0.8)
30	996510011817	CD DOOR"C" SPRAY SILVER#99958
33	996510006698	SPEAKER 3" 8ohm 1W,ROUND SIL
8	996510011819	BATTERY DOOR MOULD W
CORD	996510010496	VDE-APP AC CORD,W/SOCKET(-/98)
CORD	996510016556	SAA APP AC CORD SET (-/79)

Service parts list(only for AZ102S/12)

11	996510006698	SPEAKER 3" 8ohm 1W,ROUND SIL
12	996510010490	ROD ANTENNA 5 SEG, 360,430mm
13	996510018275	WIRE UL AWG#26 130mm BLK
14	996510010491	CD MECHANISM SANYO DA11B3VF
15	996510011817	CD DOOR"C" SPRAY SILVER#99958
16	994000004061	7871 CD RUBBER CUSHION BLACK
17	994000005189	7871 CD RUBBER CUSHION PINK
18	996510006691	7871 CD PICK UP DUSTCOVER
19	994000004726	7831 GEAR (MODE:0.8)
20	994000004727	7831 GEAR STAND (MODE:0.8)
21	996510010493	AZ102 CD DOOR SPING
22	996510018276	TRAN. VDE-STD,EML-2210VT
23	996510011819	BATTERY DOOR MOULD W
ACC	996510010496	VDE-APP AC CORD,W/SOCKET

Service parts list(only for AZ102C/98)

11	996510010496	VDE-APP AC CORD,W/SOCKET
12	996510020153	SPEAKER 3" 8ohm 1W, L/R
13	996510010490	ROD ANTENNA 5 SEG, 360,430mm
14	996510010491	CD MECHANISM SANYO DA11B3VF
15	996510020148	LEAF SW LS323-Pb
16	996510020149	CD DOOR"B" SPRAY RED
17	996510006691	7871 CD PICK UP DUSTCOVER
18	994000004726	7831 GEAR (MODE:0.8)
19	994000004727	7831 GEAR STAND (MODE:0.8)
20	996510020230	CD DOOR SPRING 1.0mm
21	996510011818	AZ102 TRAN. EI-41 EML2248MT(E
22	994000004086	AC POWER SOCKET
23	994000004736	SLIDE SWITCH (SSV-12-8700S)
24	996510011819	BATTERY DOOR MOULD W
CUS1	994000000098	DAMPER RUBBER 40
Rubber1	994000005189	7871 CD RUBBER CUSHION PINK


Note: Only these parts mentioned in the list are normal service parts.

**Service partslist (only for AZ102N/96/98,AZ102S/96,AZ102C/96,AZ102G/98,AZ102R/98,AZ102V/98
AZ102S/93)**

11	996510021652	POWER CORD(AZ102N/96,AZ102S/96,AZ102C/96)
11	996510010496	POWER CORD(AZ102N/98)
11	996510032792	AC POWER CORD AP -/93(AZ102S/93)
12	996510020153	SPEAKER 3" 8ohm 1W
13	996510010490	ROD ANTENNA 5 SEG
14	996510010491	CD MECHANISM SANYO DA11B3VF
15	996510020148	LEAF SW LS323-Pb
16	996510021651	CD DOOR (AZ102N/96/98)
16	996510011817	CD DOOR (AZ102S/96/93)
16	996510020149	CD DOOR (AZ102C/96)
16	996510031024	CD DOOR (AZ102G/98)
16	996510031026	CD DOOR (AZ102R/98)
16	996510031025	CD DOOR (AZ102V/98)
17	996510006691	7871 CD PICK UP DUSTCOVER
18	994000004726	7831 GEAR (MODE:0.8)
19	994000004727	7831 GEAR STAND (MODE:0.8)
20	996510020230	CD DOOR SPRING 1.0mm
21	996510011818	AZ102 TRAN. EI-41 EML2248MT
21	996510018276	TRAN. VDE-STD EML-2210VT (AZ102S/93)
22	994000004086	AC POWER SOCKET
22	996500041075	AC POWER SOCKET (AZ102S/93)
23	994000004736	SLIDE SWITCH (SSV-12-8700S)
24	996510011819	BATTERY DOOR MOULD W
CUS1	994000004061	7871 CD RUBBER CUSHION BLACK
Rubber1	994000005189	7871 CD RUBBER CUSHION PINK

**Note: Only these parts mentioned in the list are
normal service parts.**

Service Partlist(only for AZ102C/12) MECHANICAL PARTSLIST

10	996510026613	CD MECHANISM DA11B3VZSS
33	996510037512	AC POWER SOCKET
A1	996510039111	LCD LENS A
A10	996510039278	FUNCTION KEY
A11	996510039288	DBB KNOB LEF
A12	996510032345	CD RUBBER CUSHION RED 38
A13	996510032363	CD RUBBER CUSHION GEEN 40
A14	996510006691	7871 CD PICK UP DUSTCOVER
A15	994000004726	7831 GEAR (MODE:0.8)
A16	994000004727	7831 GEAR STAND (MODE:0.8)
A17	996510039281	BOTTOM CABINET
A18	996510011819	BATTERY DOOR MOULD W
A19	996510039108	BACK PANEL
A2	996510039107	FRONT PANEL B
A20	996510039291	AC SOCKET COVER
A21	996510039285	TUNING BRACKET
A22	996510039284	DISPLAY BRACKET
A23	996510037511	7233 BA HOLDE
A3	996510039109	LCD LENS LOOP CHROME
A4	996510039287	TOP CABINET G
A5	996510039286	TUNING LENS MOULD
A6	996510020149	CD DOOR"B" SPRAY RED
A7	996510039293	VOLUME KNOB
A8	996510039282	BAND KNOB RIGHT
A9	996510039289	TUNING KNOB
COIL22	994000005122	AM COIL 120:20T D10.5MM
LCD101	996510037791	LCD DISPLAY
SPING1	996510020230	CD DOOR SPRING 1.0mm
SPING2	996510037529	7681 BATT SPING
SPING3	996510037532	7681 BATT SPING
SPING4	996510037513	7681 BATT SPING
SPING5	996510037518	7681 BATT SPING
SPK1	996510020153	SPEAKER 3" 8ohm 1W L/R
TRANSFER 	996510039283	TRANSFORMER AC230V/AC11.5V
PCB2	996510037787	MAIN BOARD ASSY

ACCESSORIES

AC1	 996510010496	VDE-APP AC CORD W/SOCKET
-----	--	--------------------------


Note: Only these parts mentioned in the list are normal service parts.

ELECTRICAL PARTSLIST

MAIN BOARD ASSEMBLY

CF501	996500038854	DISCRIMINATOR JT10.7MG-B
CF502	996510015911	FLT10.7MS3 CAIQIN (RED)
CF503	994000003967	FILTER FM455AL
D107	996510010972	DIODE 1N4148 (EP) (TP)
D501	996510010972	DIODE 1N4148 (EP) (TP)
D502	996510010972	DIODE 1N4148 (EP) (TP)
IC101	996510038812	IC TA2157FNG(SSOP24)
IC102	996510039279	IC TC94A29FAG-018 (WITH SOFT)
IC103	996510026702	D9258PH (HSOP28)CHMC(3.3V)
IC104	996510024016	IC D8227 HDIP-12
IC501	996510037005	IC CD2111CP DIP24
JK101	996510037014	ST JACK
Q101	994000003972	CHIP TR MMBT9014C
Q102	994000003972	CHIP TR MMBT9014C
Q103	994000003972	CHIP TR MMBT9014C
Q104	994000003972	CHIP TR MMBT9014C
Q105	996510038806	CHIP TR PNP MMT8550C
Q106	996510017876	TR NPN 8050D (TP)
Q107	994000004745	TR PNP KTB772
Q108	996510013439	TR PNP KTA1273Y/P (KEC) (EP)TP
Q109	996510003952	TR 8550D
Q110	996510003952	TR 8550D
Q111	996510037023	TR NPN 9014C
Q112	994000004743	CHIP TR MMBT9018H
Q113	994000003972	CHIP TR MMBT9014C
Q501	996510039292	TR PNP 9015C
Q502	996510003952	TR 8550D
Q503	996510037023	TR NPN 9014C
Q504	994000004004	CHIP TR NPN 8050C
Q505	994000003972	CHIP TR MMBT9014C
Q506	996510017876	TR NPN 8050D (TP)
SW101	996510037506	SILDE SW
SW103	996510026701	SS-44D04-G4 (CO)(EP)
X101	996510002297	C RESON'R QZTT16.93MX 3PINS
X102	996510013448	CRYSTAL JF75kHz (EP)

KEY BOARD ASSEMBLY

F101	 994000004782	FUSE 50T D5X20 1.6A 250V(S.B.)
SW401	996510037009	TACT SW
SW402	996510037009	TACT SW
SW403	996510037009	TACT SW
SW404	996510037009	TACT SW
SW405	996510037009	TACT SW
SW406	996510037009	TACT SW
SW407	996510037009	TACT SW

Note: Only these parts mentioned in the list are normal service parts.