

Service  
Service  
**Service**



# Service Manual



## CONTENTS

Key Control board  
circuit diagram .....3-1

Vol Control board  
circuit diagram ..... 3-1

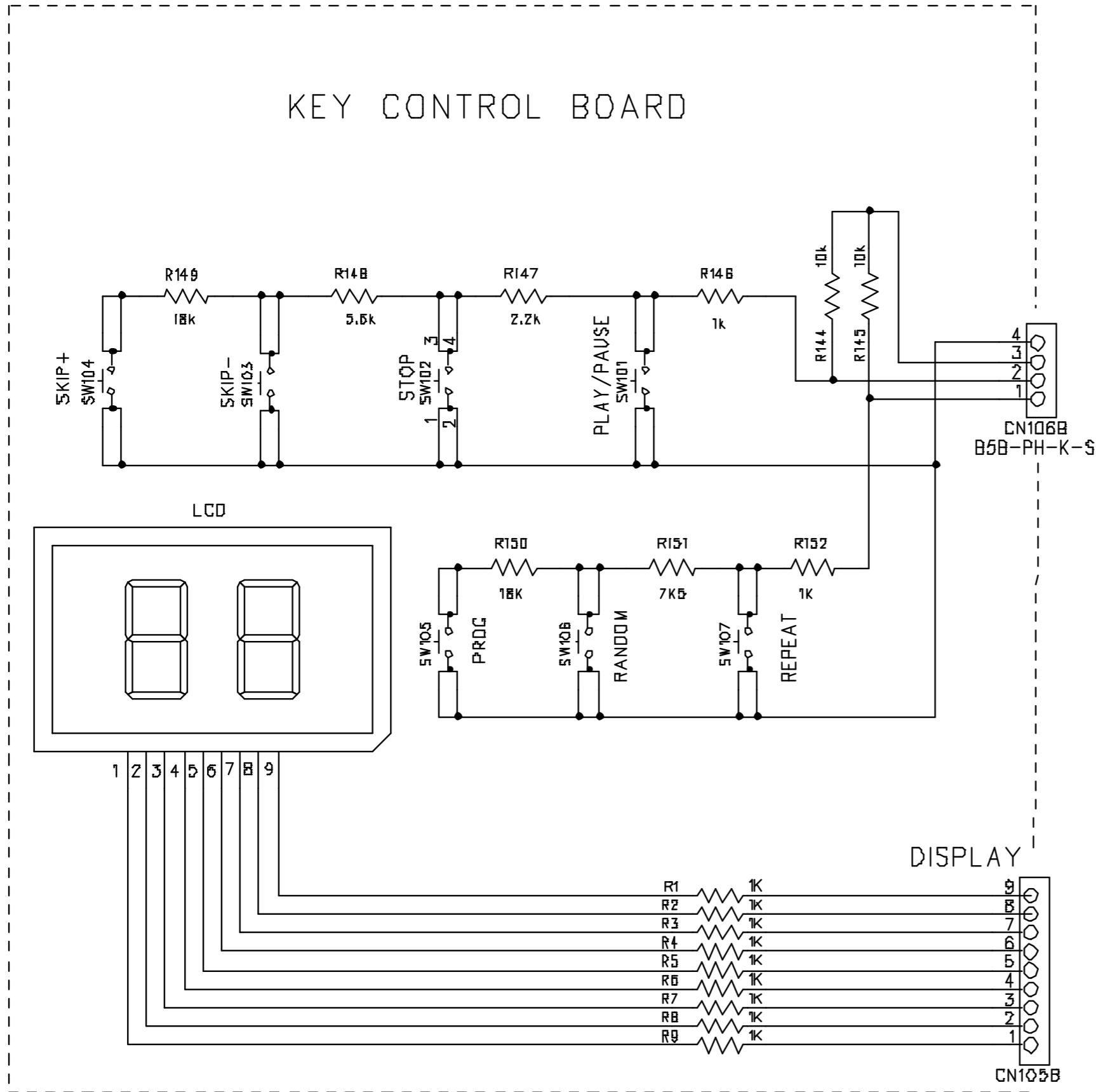
Main board  
circuit diagram .....4-1..4-3  
layout diagram ..... 4-4

Service parts list .....5-1

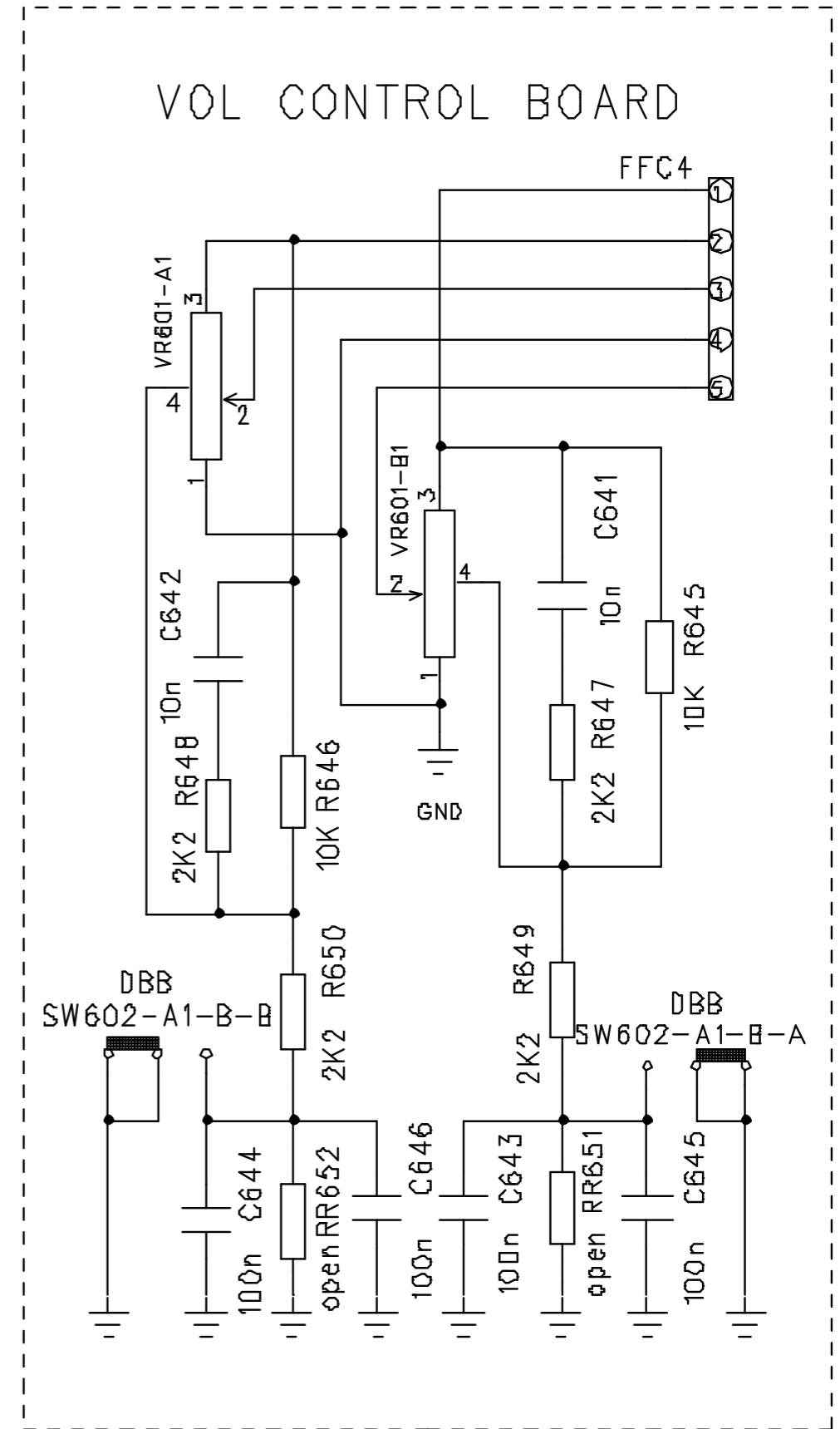
© Copyright 2007 Philips Consumer Electronics B.V. Eindhoven, The Netherlands  
All rights reserved. No part of this publication may be reproduced, stored in a retrieval system or transmitted, in any form or by any means, electronic, mechanical, photocopying, or otherwise without the prior permission of Philips.



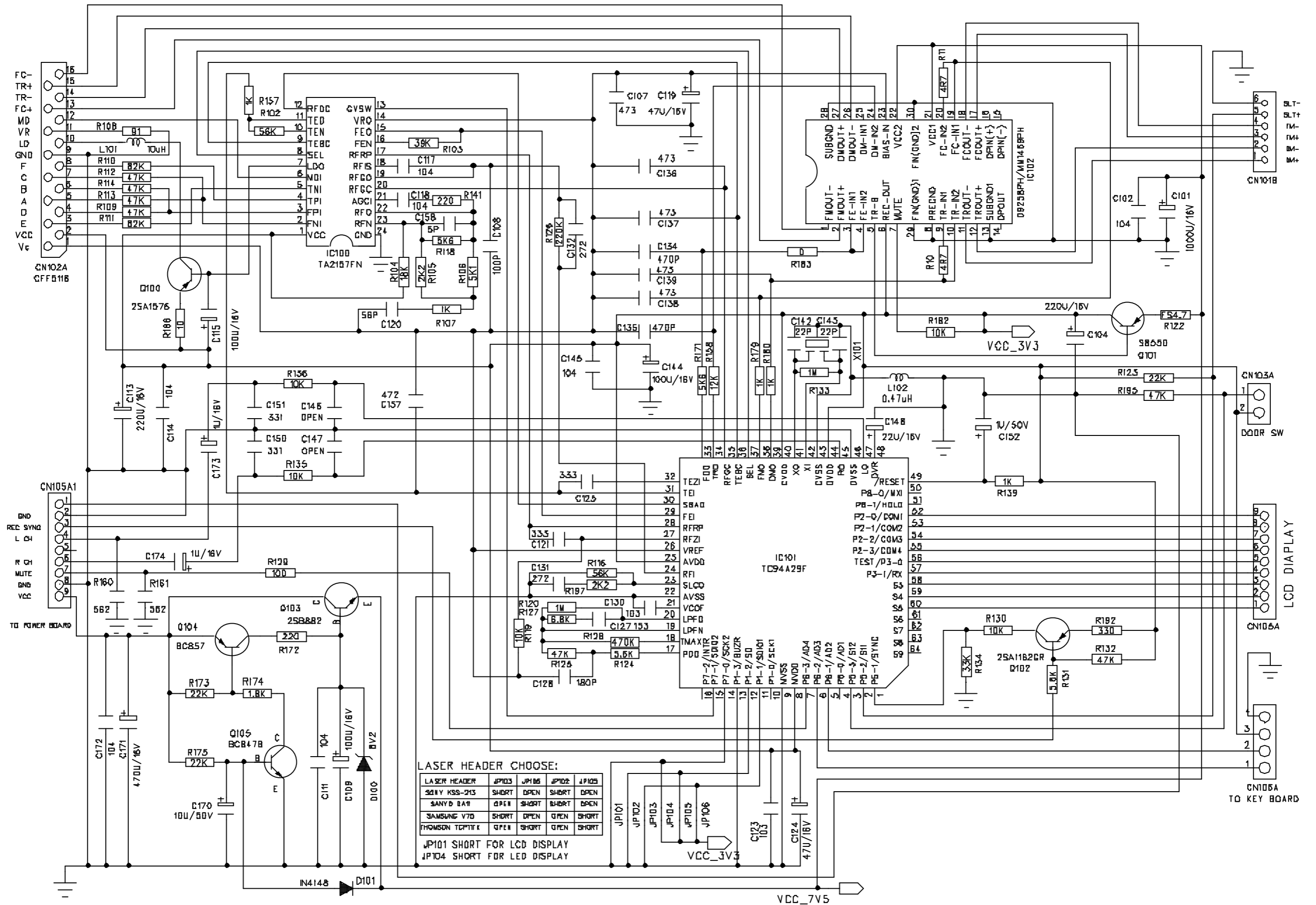
CIRCUIT DIAGRAM - KEY CONTROL BOARD



CIRCUIT DIAGRAM - VOL CONTROL BOARD



CIRCUIT DIAGRAM - MAIN BOARD  
CD part



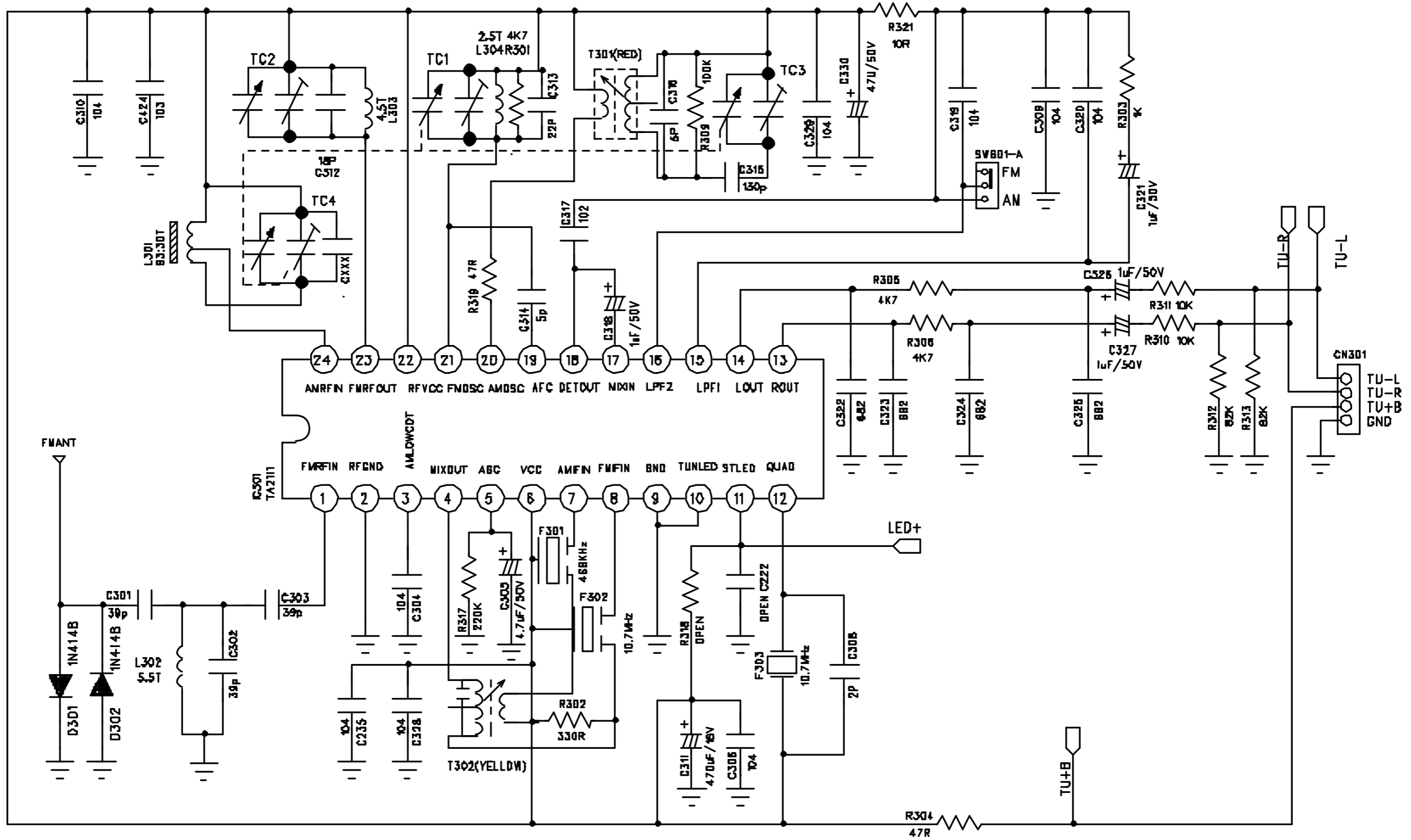
LASER HEADER CHOOSE:

LASER HEADER	JP103	JP106	JP102	JP105
SANYO KSS-213	SHORT	OPEN	SHORT	OPEN
SANYO BA1	OPEN	SHORT	SHORT	OPEN
SAMSUNG V7D	SHORT	OPEN	OPEN	SHORT
THOMSON TPT1TK	OPEN	SHORT	OPEN	SHORT

JP101 SHORT FOR LCD DISPLAY  
JP104 SHORT FOR LED DISPLAY

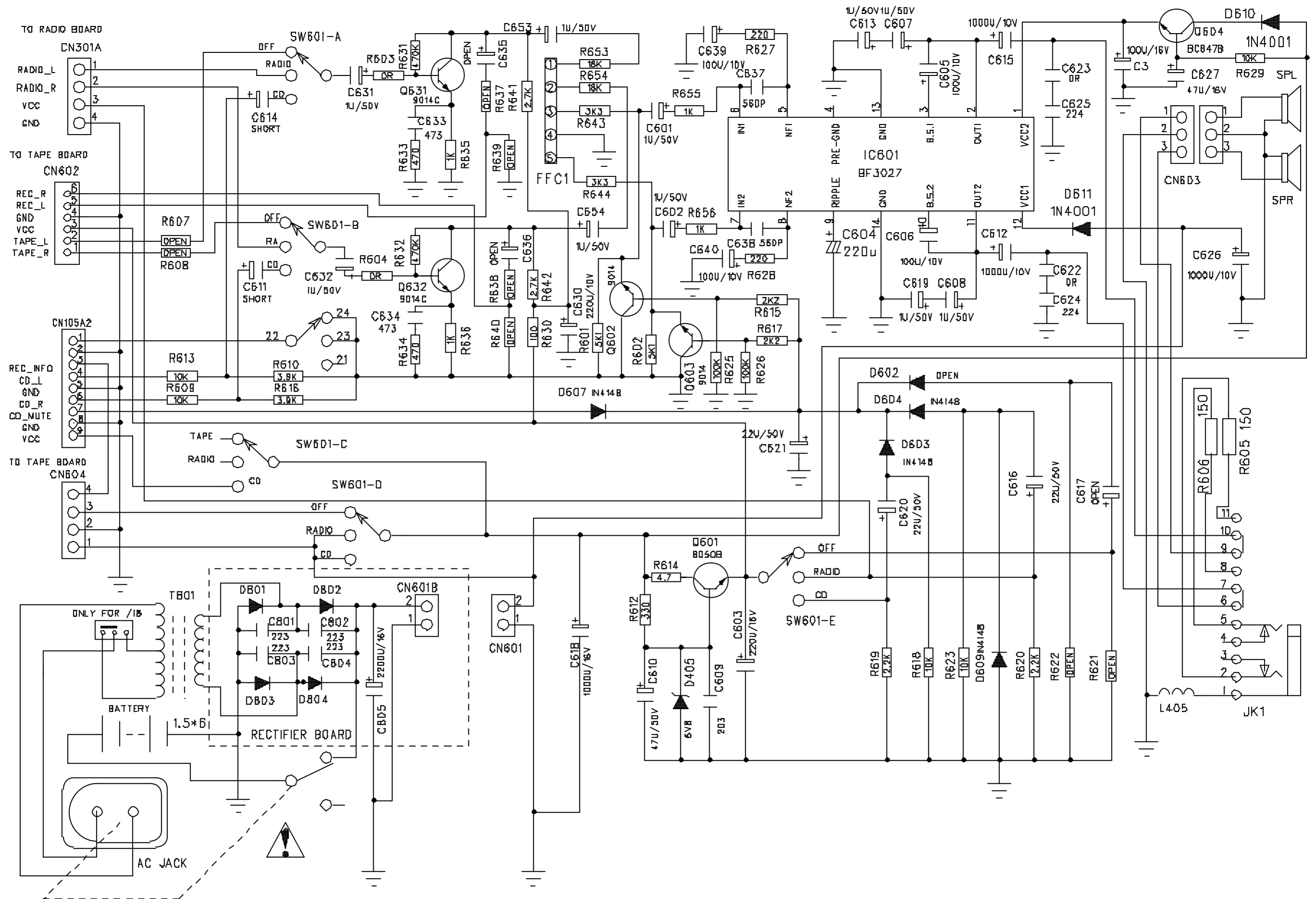
CIRCUIT DIAGRAM - MAIN BOARD

Tuner part

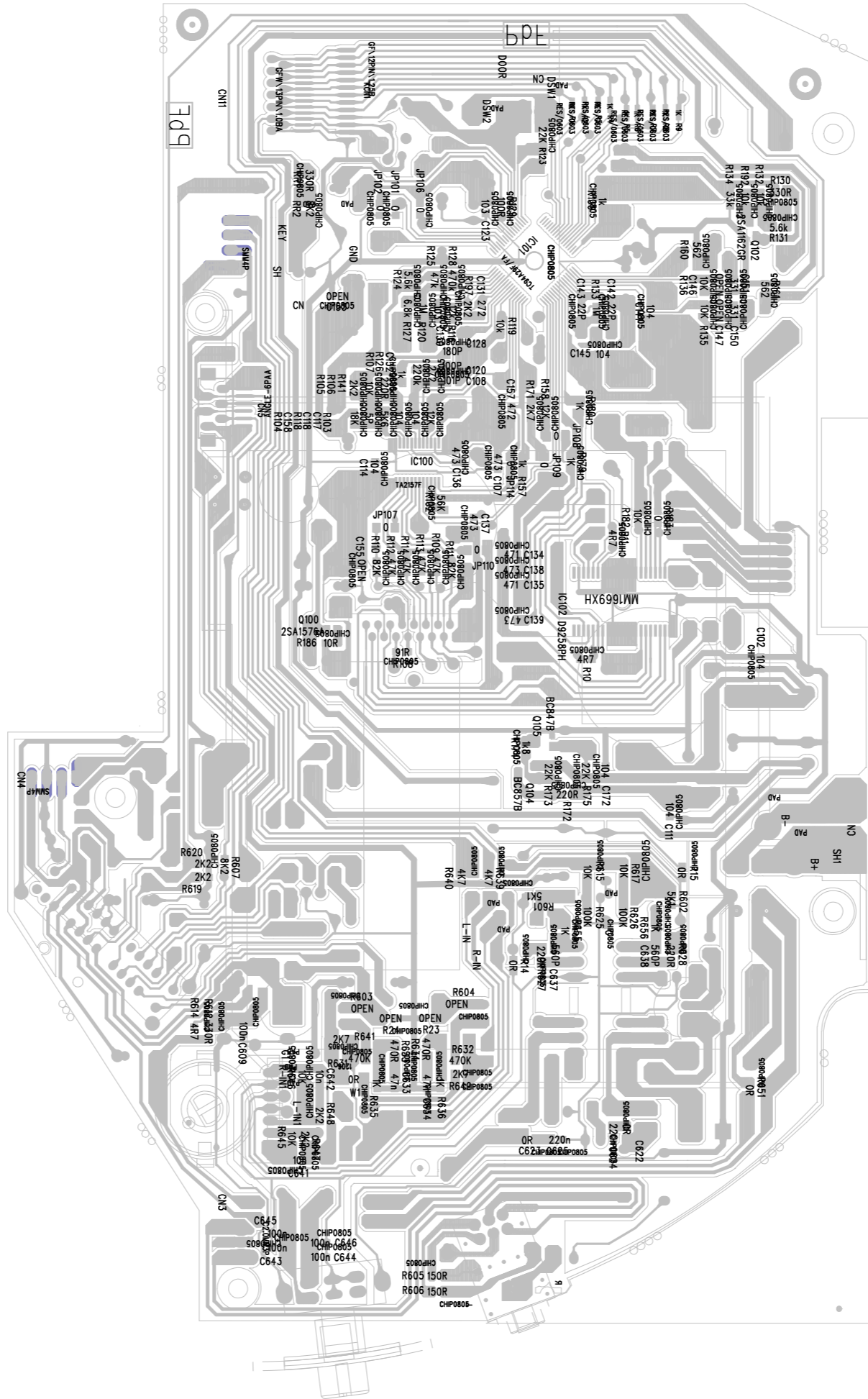


	C322, C323	C324, C325
/17 /37	103	822
OTHERS	153	103

# CIRCUIT DIAGRAM - MAIN BOARD Power & AMP part



LAYOUT DIAGRAM - MAIN BOARD



**Service parts list**

11	996510009866	HANDLE
12	996510009867	BATTERY DOOR
13	996510009868	RUBBER CUSHION 1
14	996510009869	RUBBER CUSHION 2
15	996510003633	FM ANTENNA
16	994000001745	POWER CORD SET (BLACK) VDE
17	996510009870	POWER CORD
18	996510003632	CD MECHANISM
19	996510001991	POWER TRANSFORMER (T41-0584)

**Note:** Only these parts mentioned in the list are normal service parts.