

Service
Service
Service



Service Manual



CONTENTS

Set wiring digram.....3-1

Circuit diagram

 Main board4-1..4-2

 Tape board.....5-1

Layout diagram

 Main board.....6-1

 Control board.....7-1

 Rectifier board8-1

 Tuenr board9-1

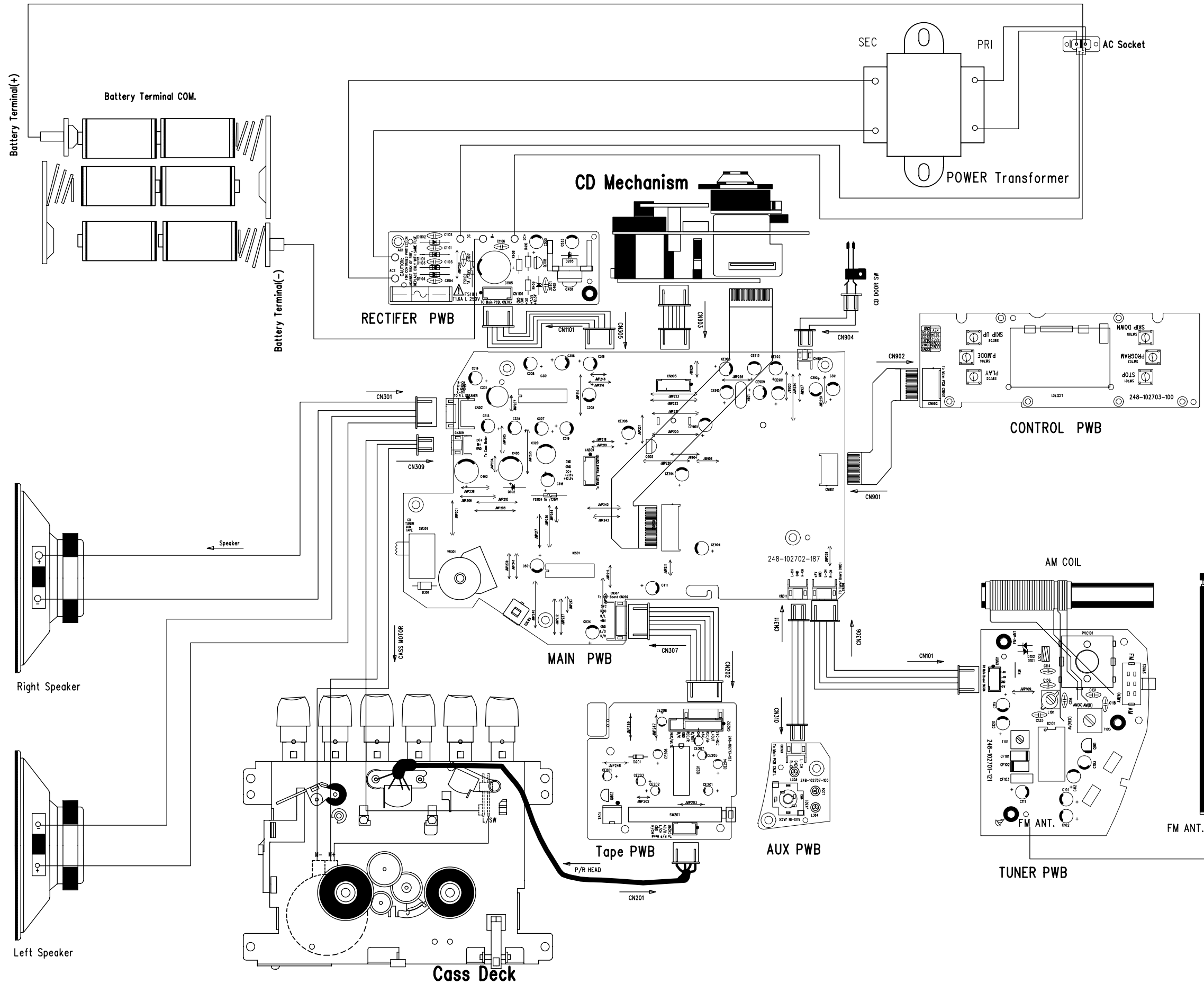
 Tape board.....10-1

Service parts list11-1

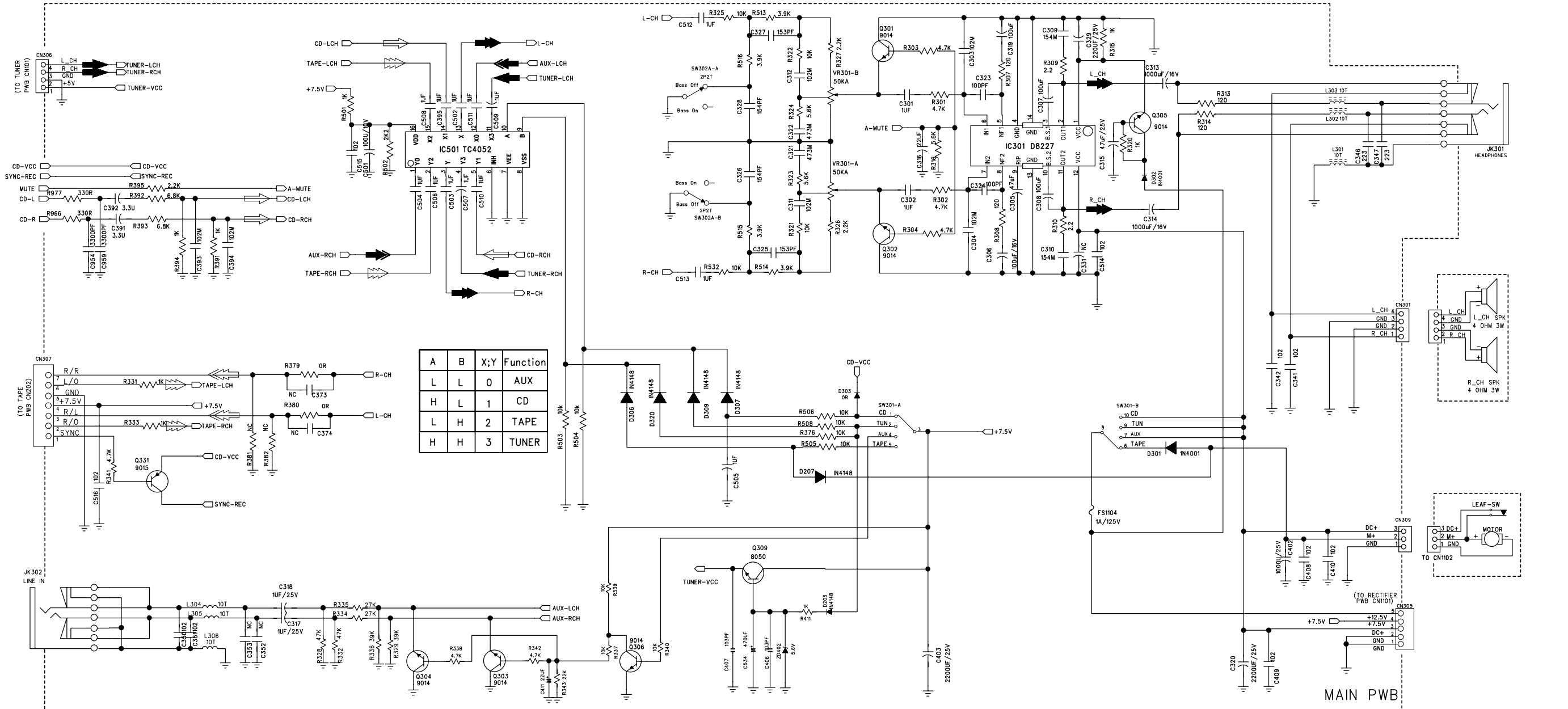
© Copyright 2008 Philips Consumer Electronics B.V. Eindhoven, The Netherlands
All rights reserved. No part of this publication may be reproduced, stored in a retrieval system or transmitted, in any form or by any means, electronic, mechanical, photocopying, or otherwise without the prior permission of Philips.



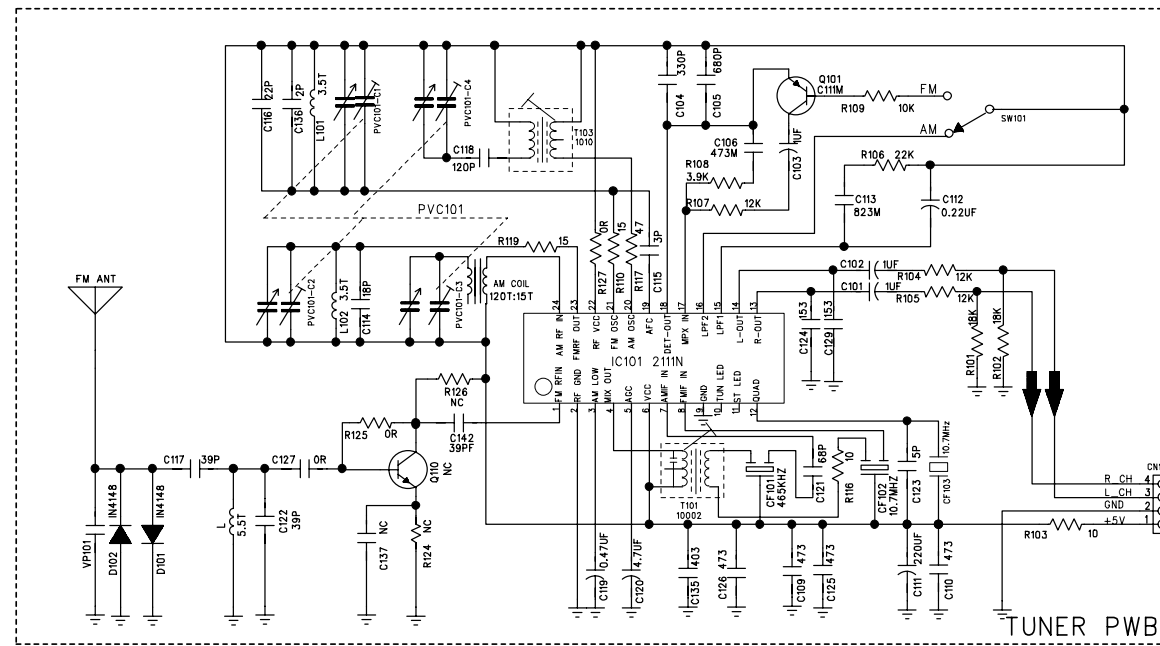
SET WIRING DIAGRAM



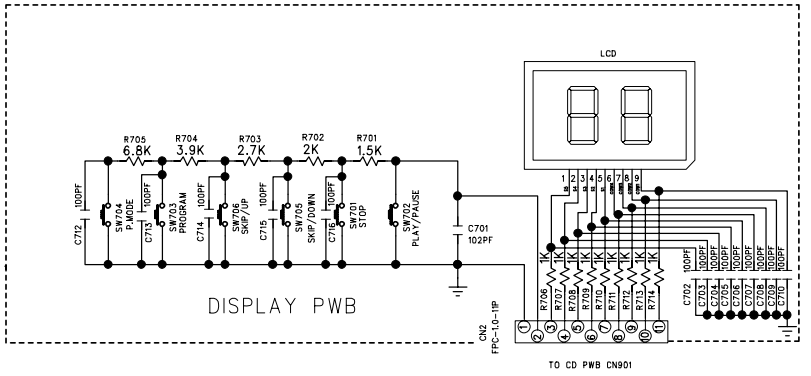
CIRCUIT DIAGRAM - MAIN BOARD



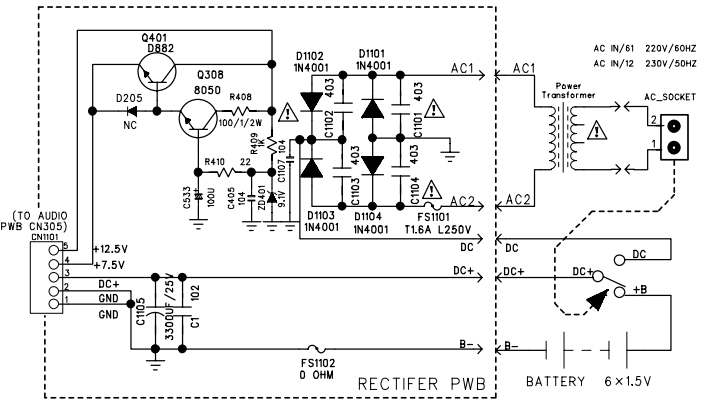
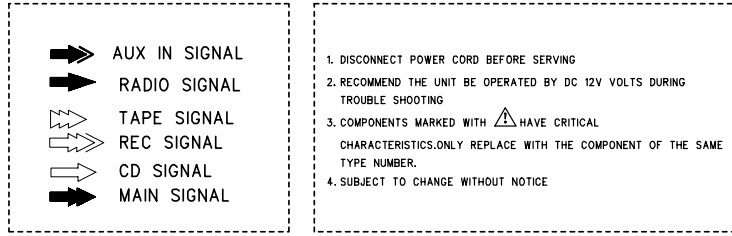
MAIN PWB



TUNER PWB



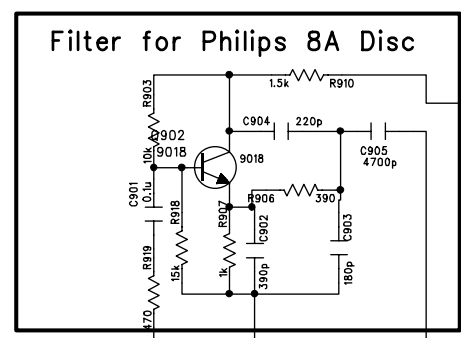
DISPLAY PWB



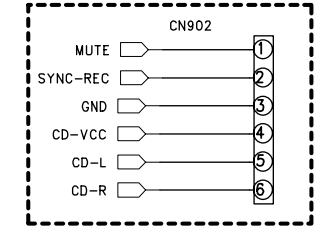
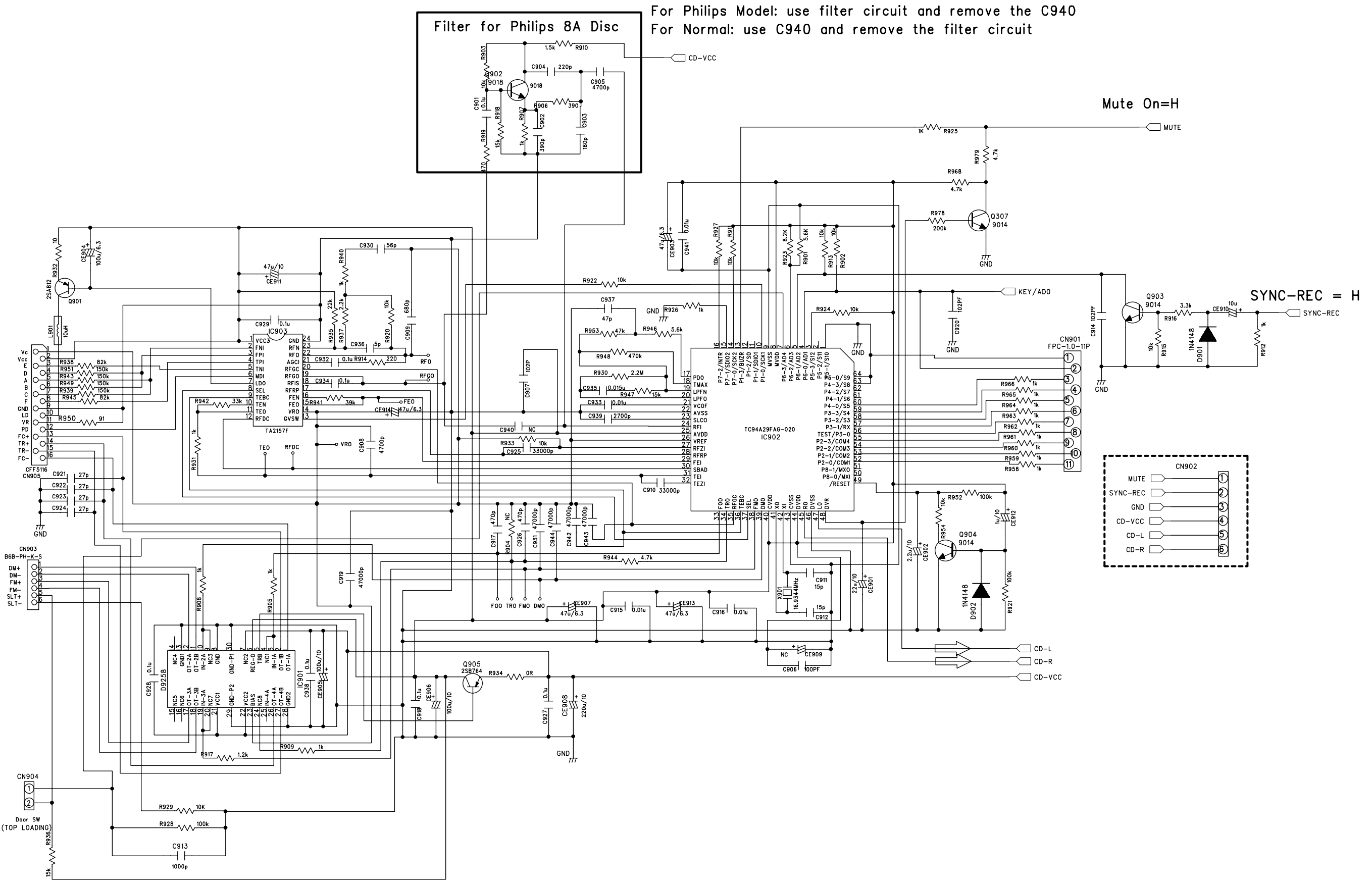
RECTIFIER PWB

BATTERY 6 x 1.5V

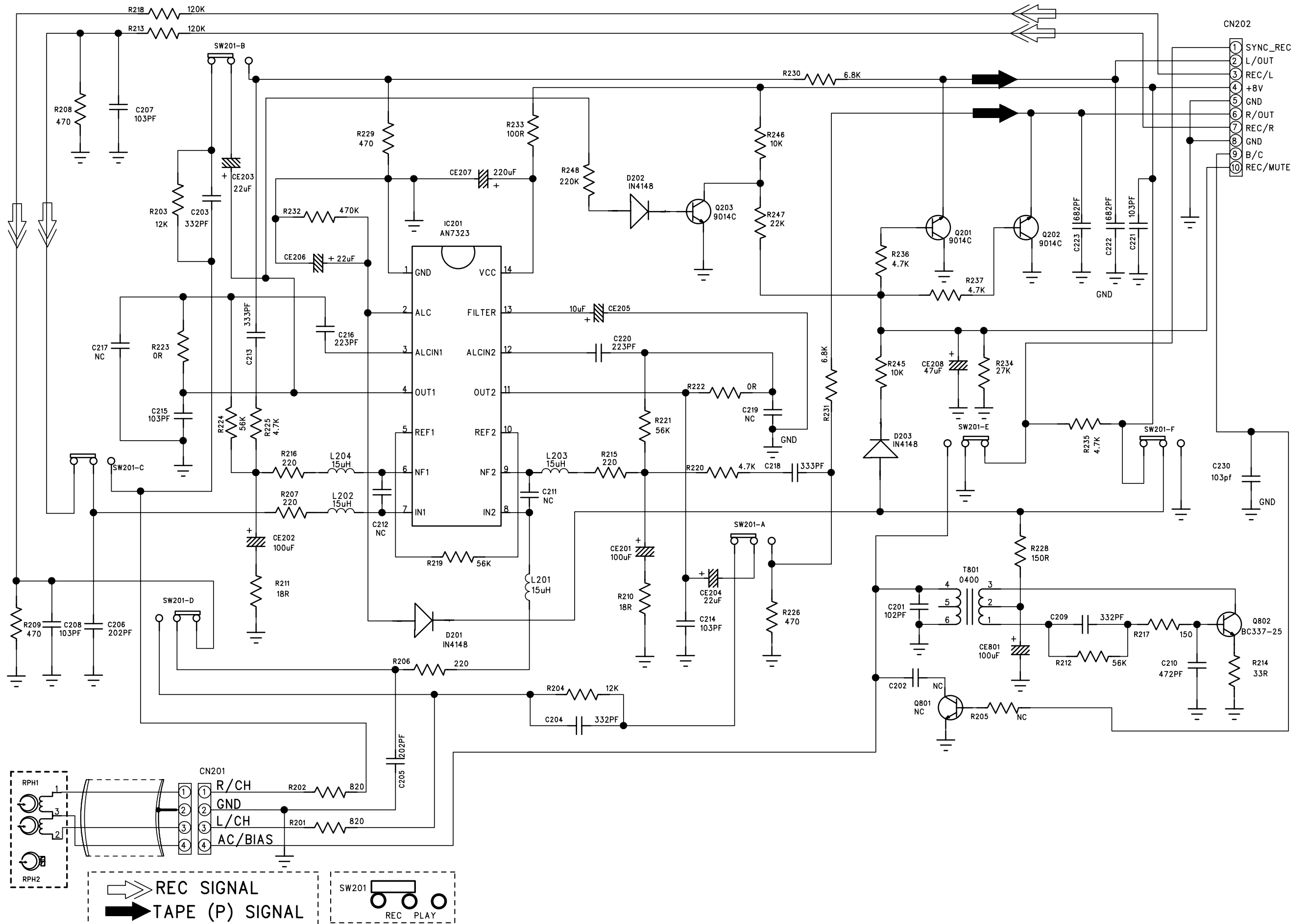
CIRCUIT DIAGRAM - MAIN BOARD SERVO & MCU PART



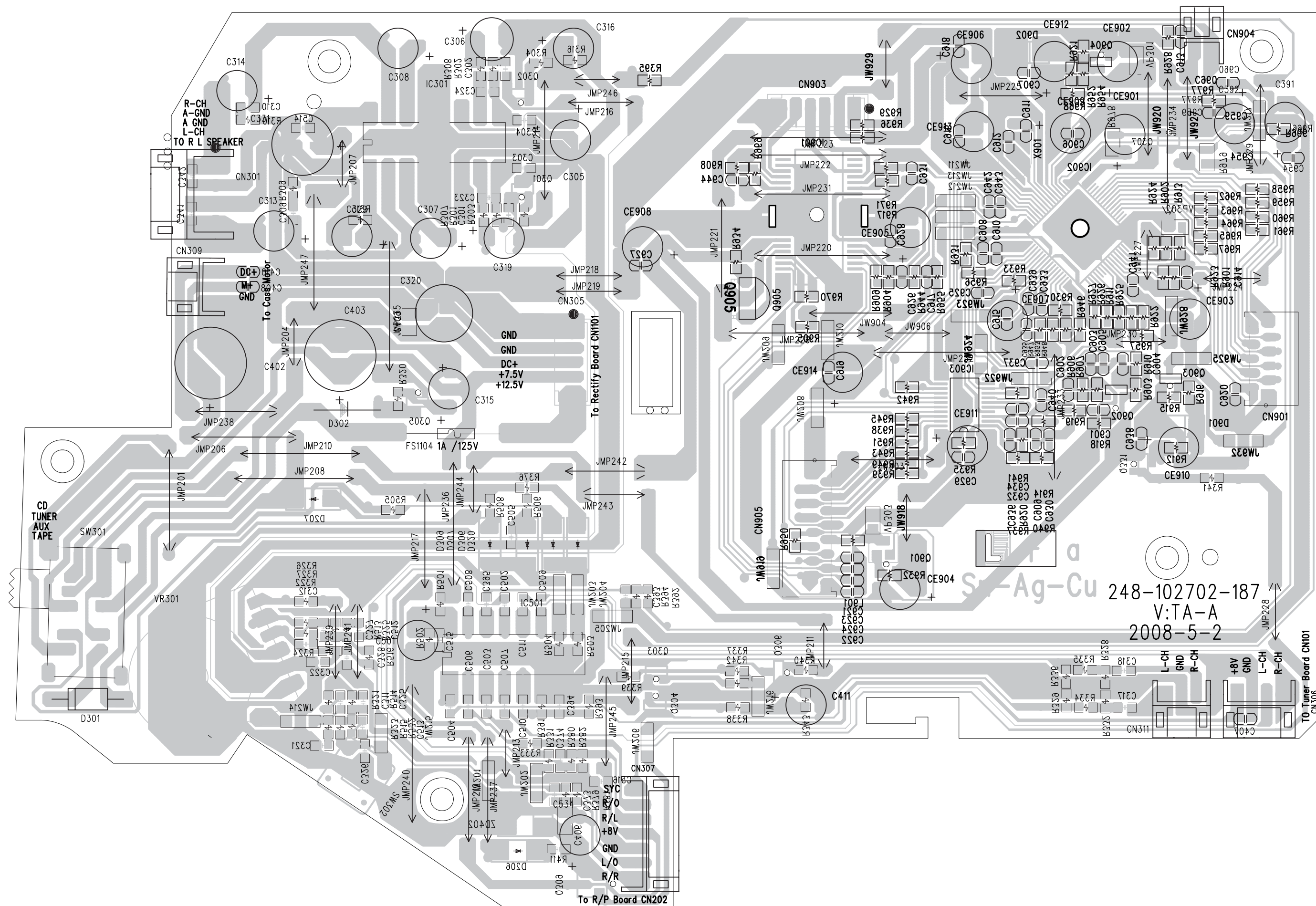
For Philips Model: use filter circuit and remove the C940
For Normal: use C940 and remove the filter circuit



CIRCUIT DIAGRAM - TAPE BOARD



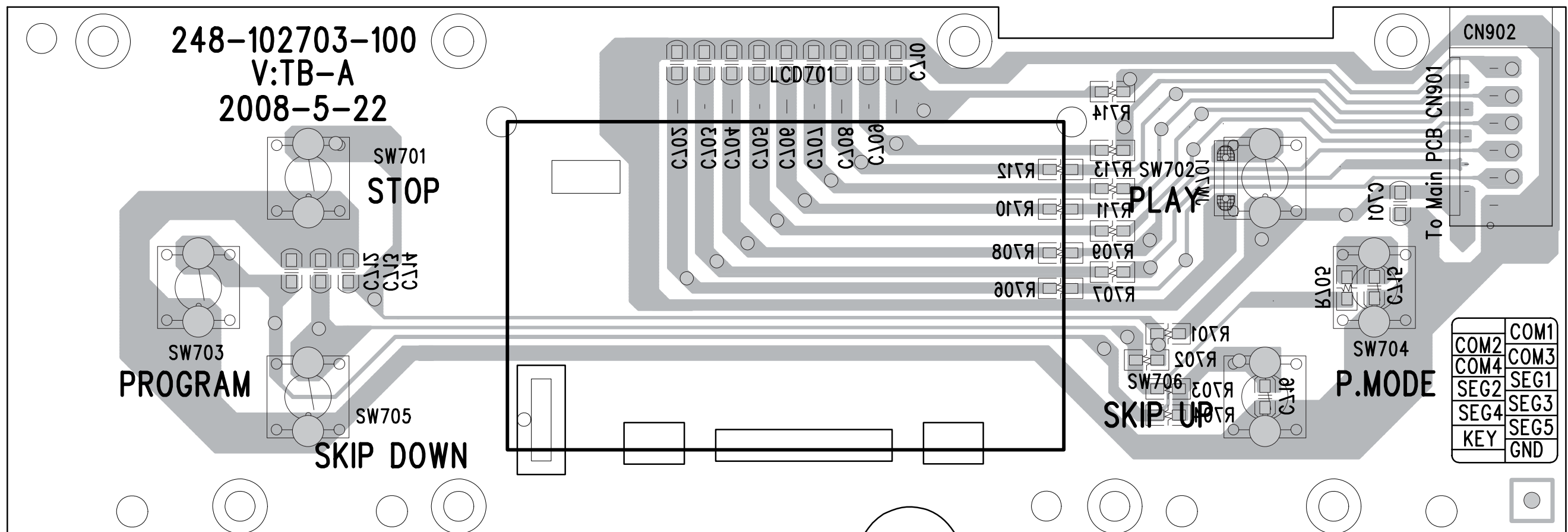
LAYOUT DIAGRAM - MAIN BOARD



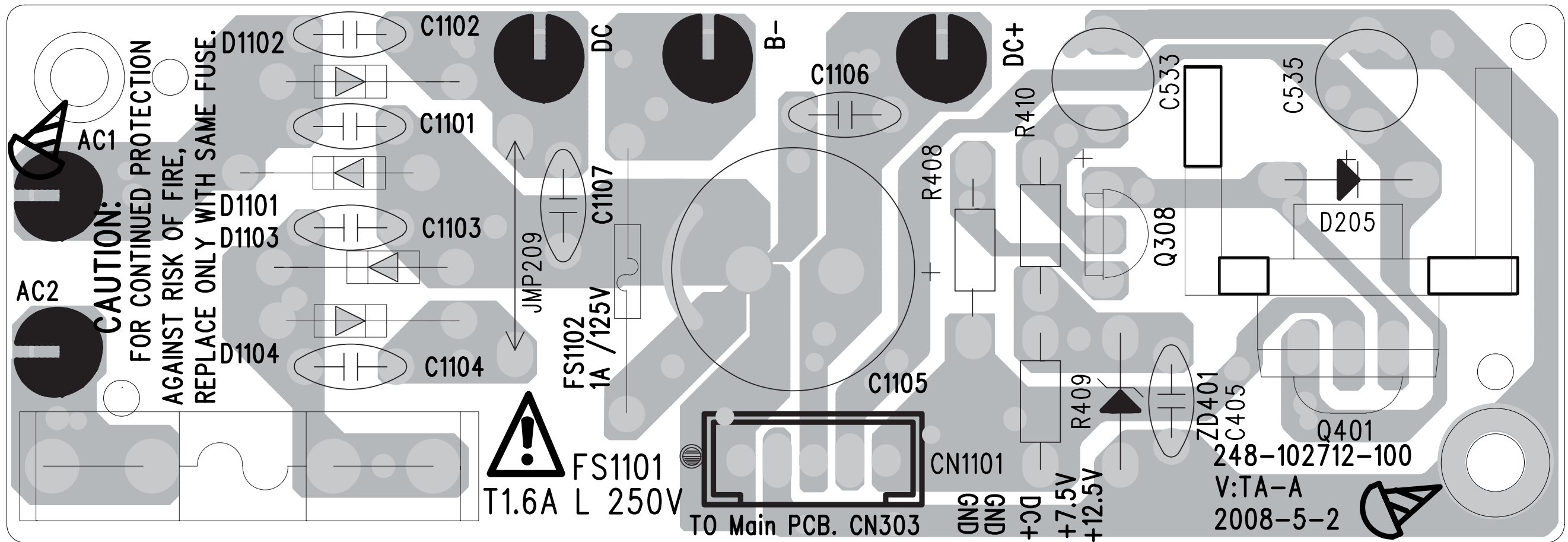
248-102702-187
 V:TA-A
 2008-5-2

S-Ag-Cu

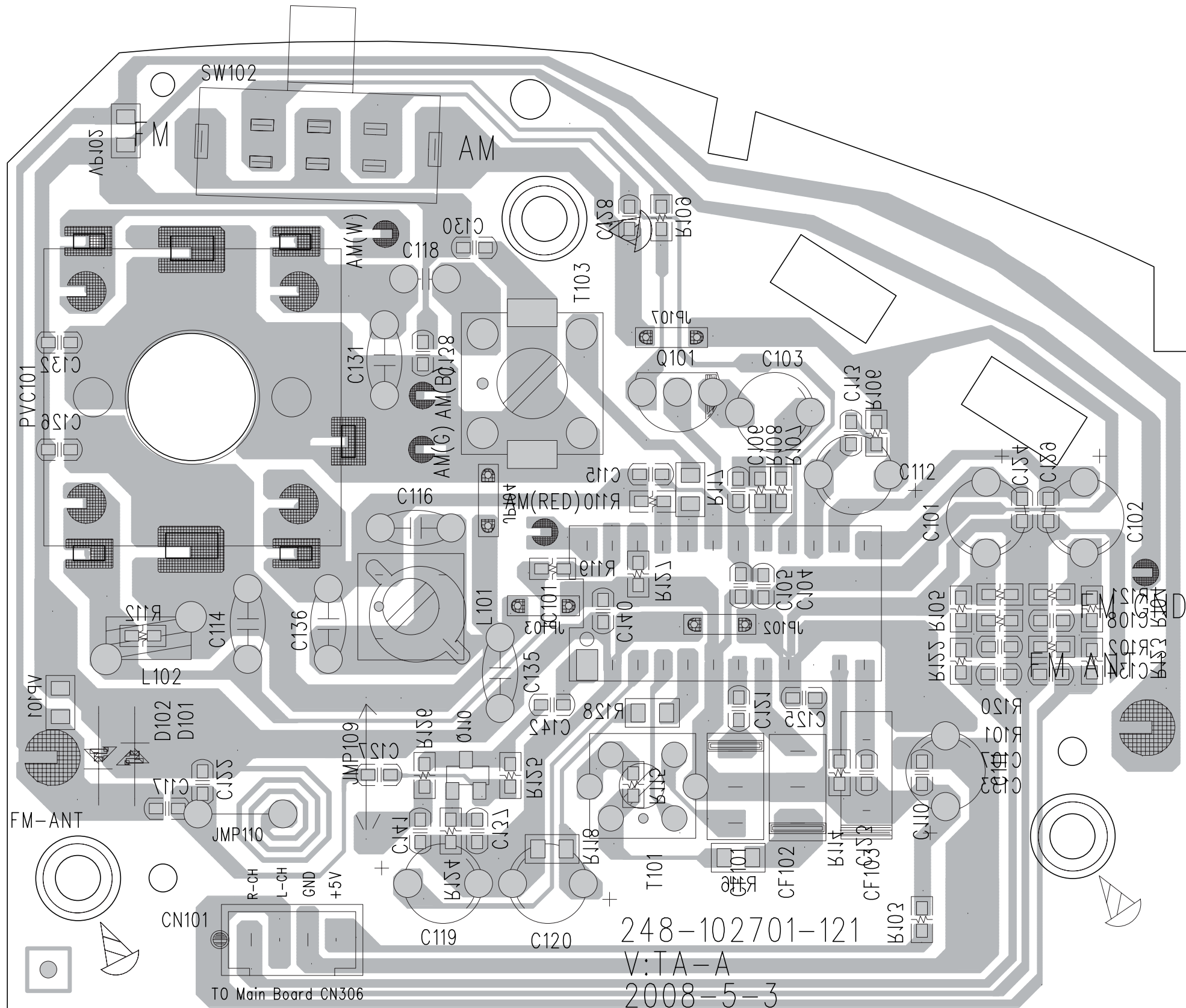
LAYOUT DIAGRAM - CONTROL BOARD



LAYOUT DIAGRAM - RECTIFIER BOARD



LAYOUT DIAGRAM - TUNER BOARD



Service parts list

11	996510003632	CD MECHANISM
12	996510001991	POWER TRANSFORMER (T41-0584)
13	996510015932	AC SOCKET TC08-115-02
14	996510018793	BATTERY DOOR
15	996510018794	HANDLE
16	996510018795	HANDLE COVER (L)
17	996510018796	HANDLE COVER(R)
18	996510018797	CD DOOR
19	996510018798	CASS. DOOR
20	996510001994	CASS DOOR GEAR
21	996510001995	CASS DOOR GEAR HOLDER
22	996510018799	FM ANTENNA
23	996510003634	CD DOOR SPRING
24	996510018800	CASS DOOR SPRING
LINE	994000001745	POWER CORD SET (BLACK) VDE (only for -/12/98/73)
LINE	996510009403	POWER CORD SET (only for -/61)
LINE	996510009870	POWER CORD SET (only for -/79)
LINE	996510022132	POWER CORD SET (only for -/93)
LINE	996510026569	POWER CORD SET (only for -/94)
D	996510022133	D-BOX (only for -/93)

Note: Only these parts mentioned in the list are normal service parts.