

Service
Service
Service



Service Manual



CONTENTS

Set wiring digram.....3-1

Circuit diagram

 Main board4-1..4-2

 Tape board.....5-1

Layout diagram

 Main board.....6-1

 Control board.....7-1

 Rectifier board8-1

 Tuenr board9-1

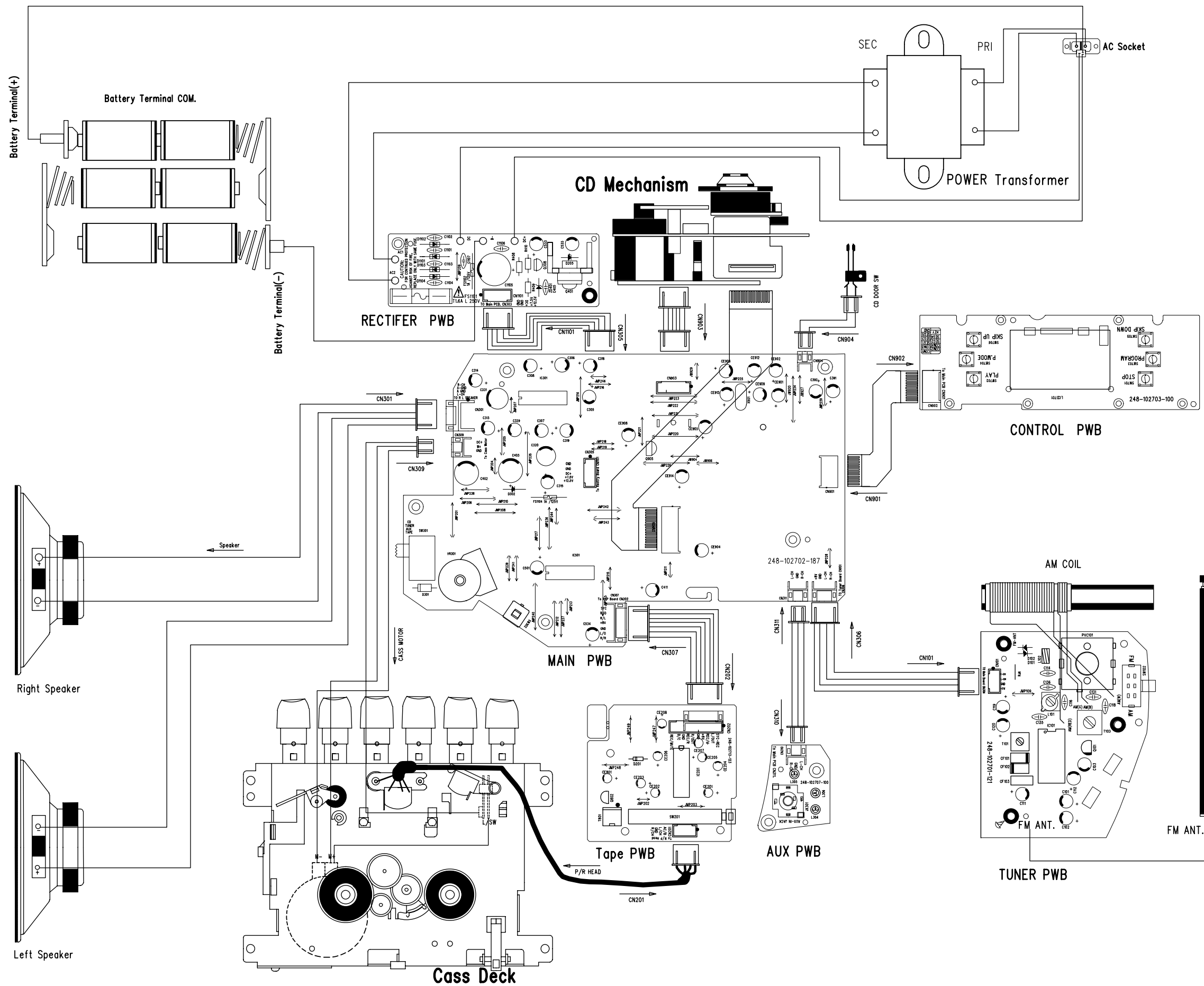
 Tape board.....10-1

Service parts list11-1

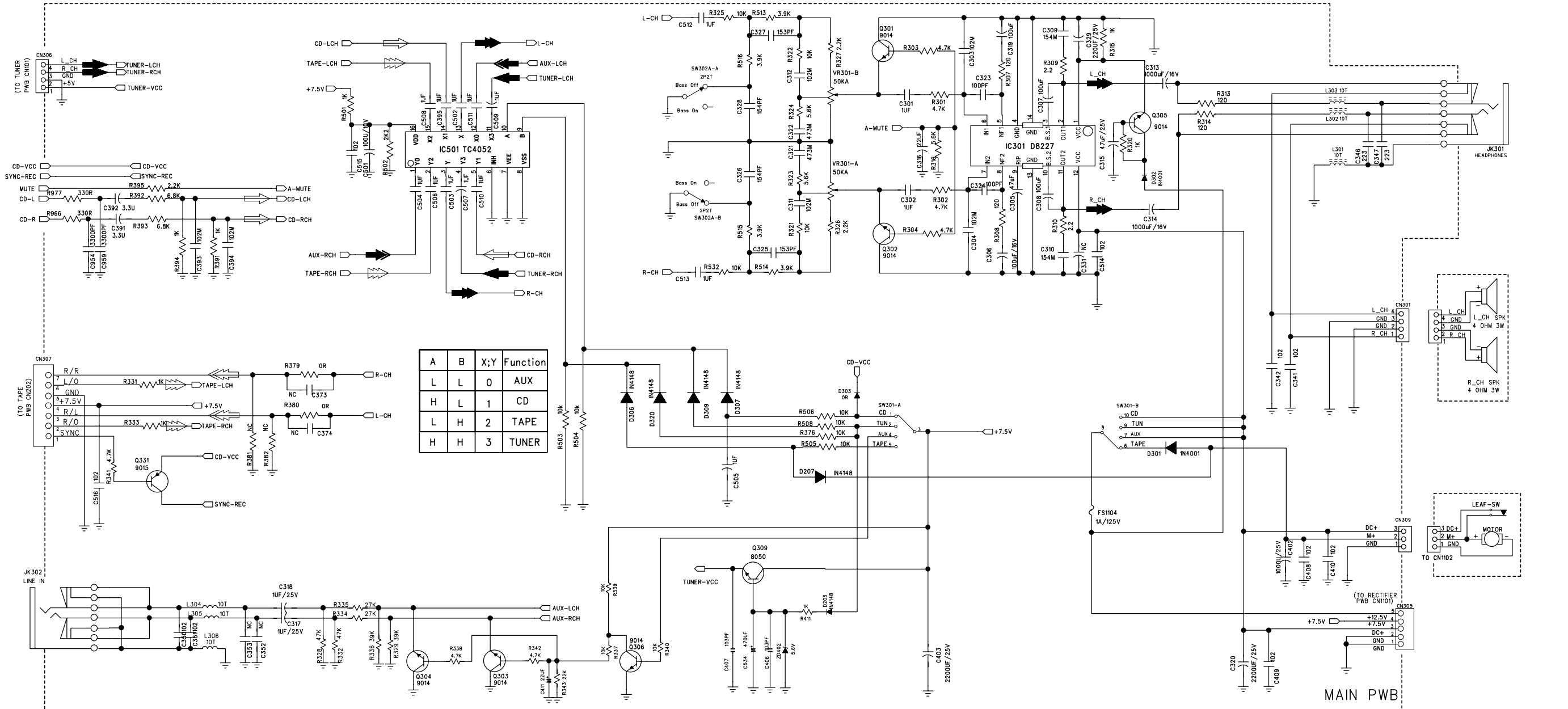
© Copyright 2008 Philips Consumer Electronics B.V. Eindhoven, The Netherlands
All rights reserved. No part of this publication may be reproduced, stored in a retrieval system or transmitted, in any form or by any means, electronic, mechanical, photocopying, or otherwise without the prior permission of Philips.



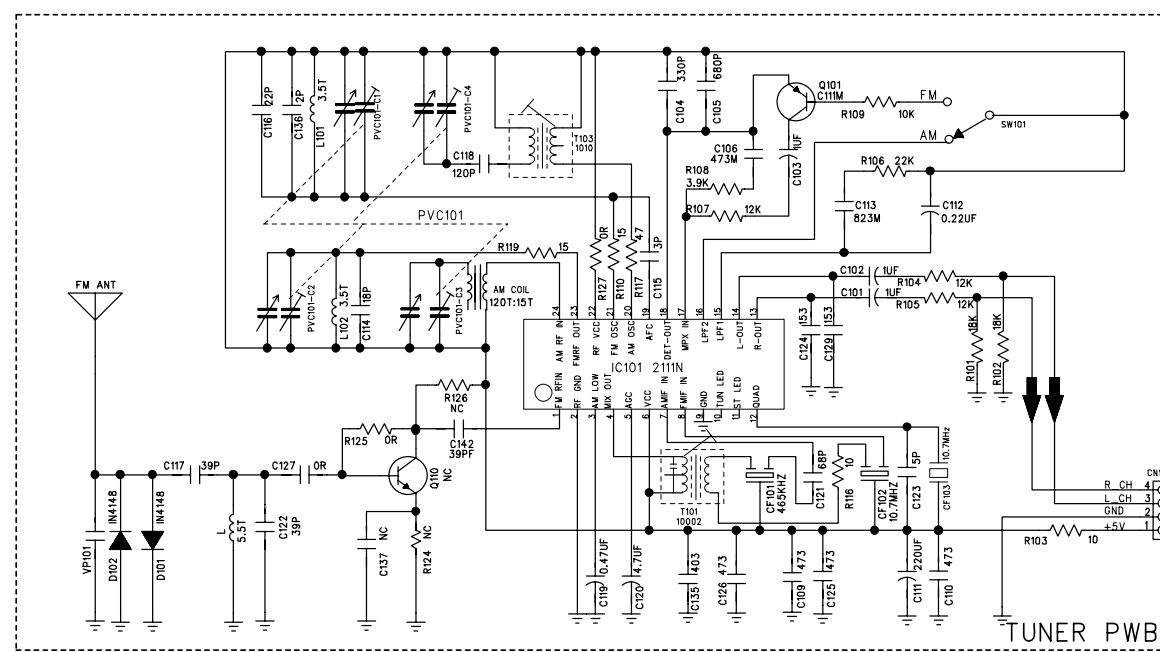
SET WIRING DIAGRAM



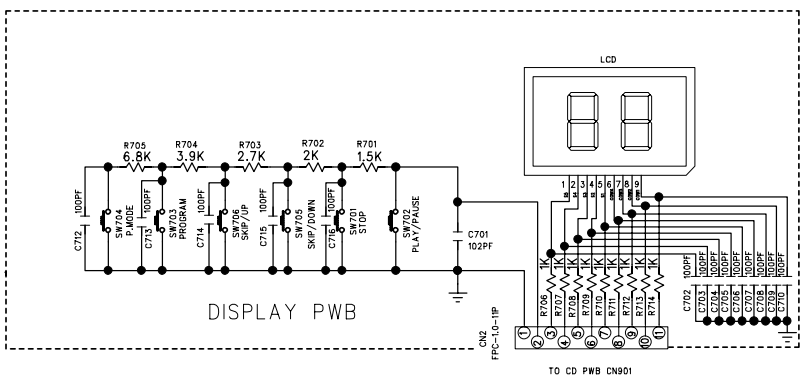
CIRCUIT DIAGRAM - MAIN BOARD



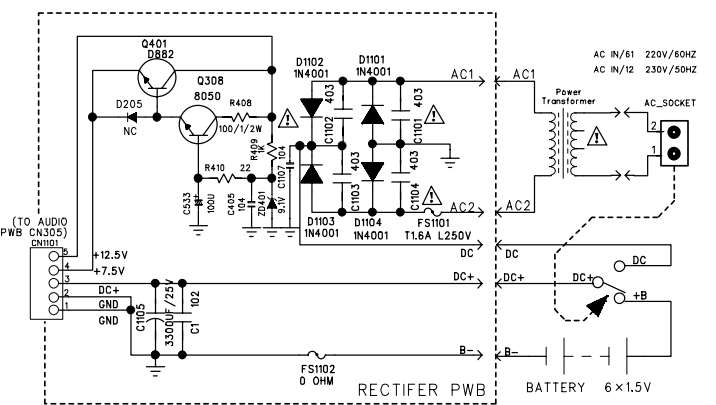
MAIN PWB



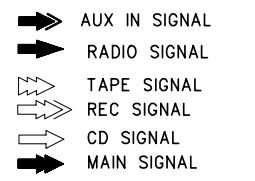
TUNER PWB



DISPLAY PWB



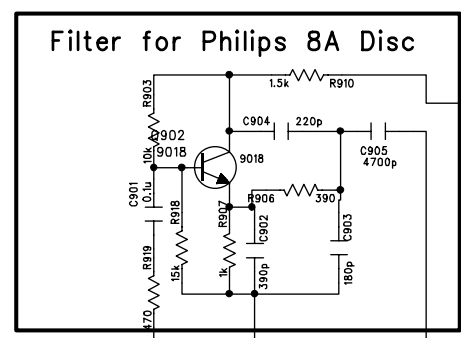
RECTIFIER PWB



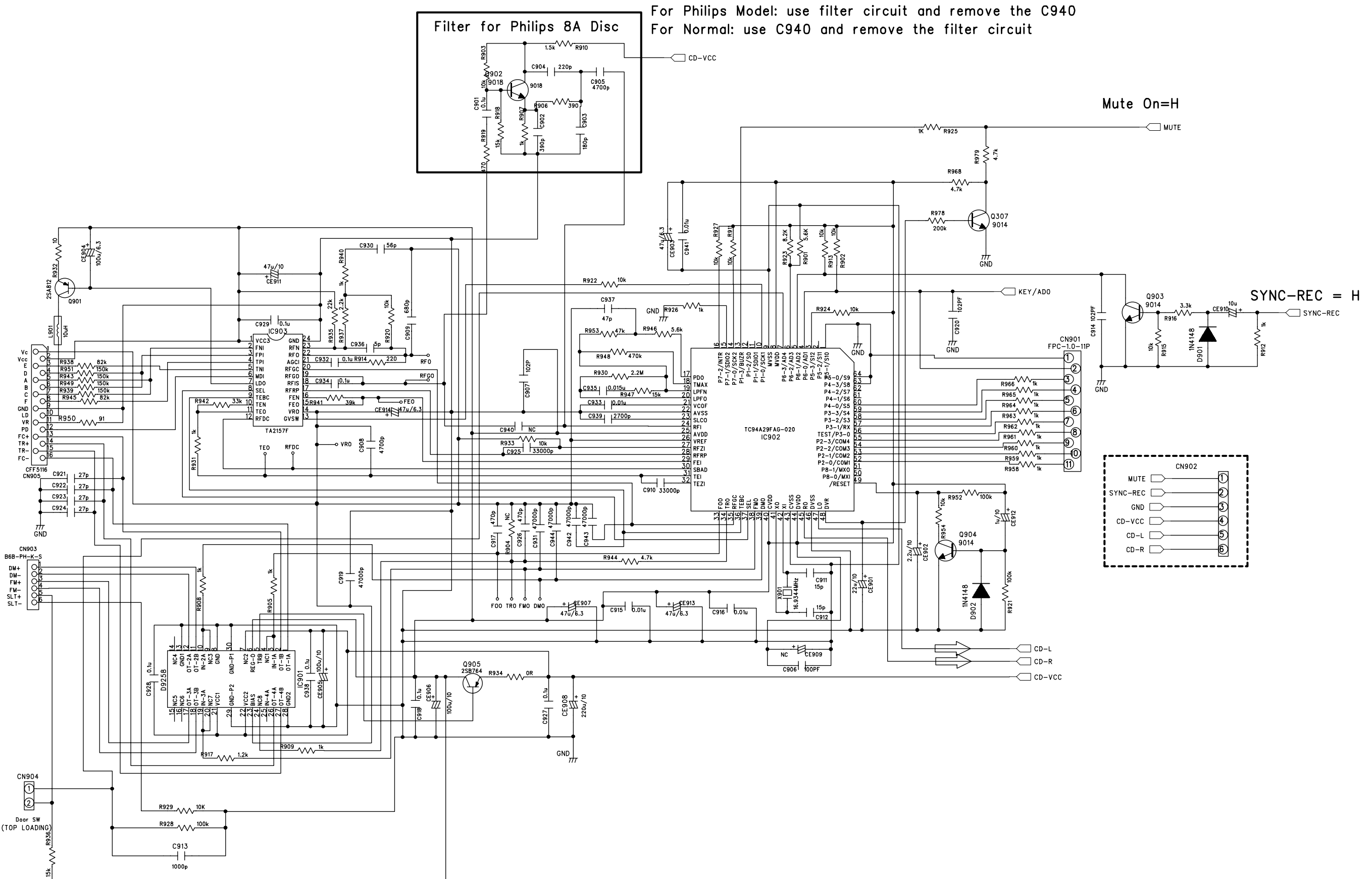
1. DISCONNECT POWER CORD BEFORE SERVING
2. RECOMMEND THE UNIT BE OPERATED BY DC 12V VOLTS DURING TROUBLE SHOOTING
3. COMPONENTS MARKED WITH Δ HAVE CRITICAL CHARACTERISTICS. ONLY REPLACE WITH THE COMPONENT OF THE SAME TYPE NUMBER.
4. SUBJECT TO CHANGE WITHOUT NOTICE

BATTERY 6 x 1.5V

CIRCUIT DIAGRAM - MAIN BOARD SERVO & MCU PART

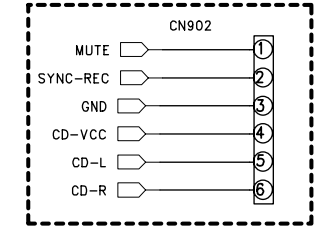


For Philips Model: use filter circuit and remove the C940
For Normal: use C940 and remove the filter circuit

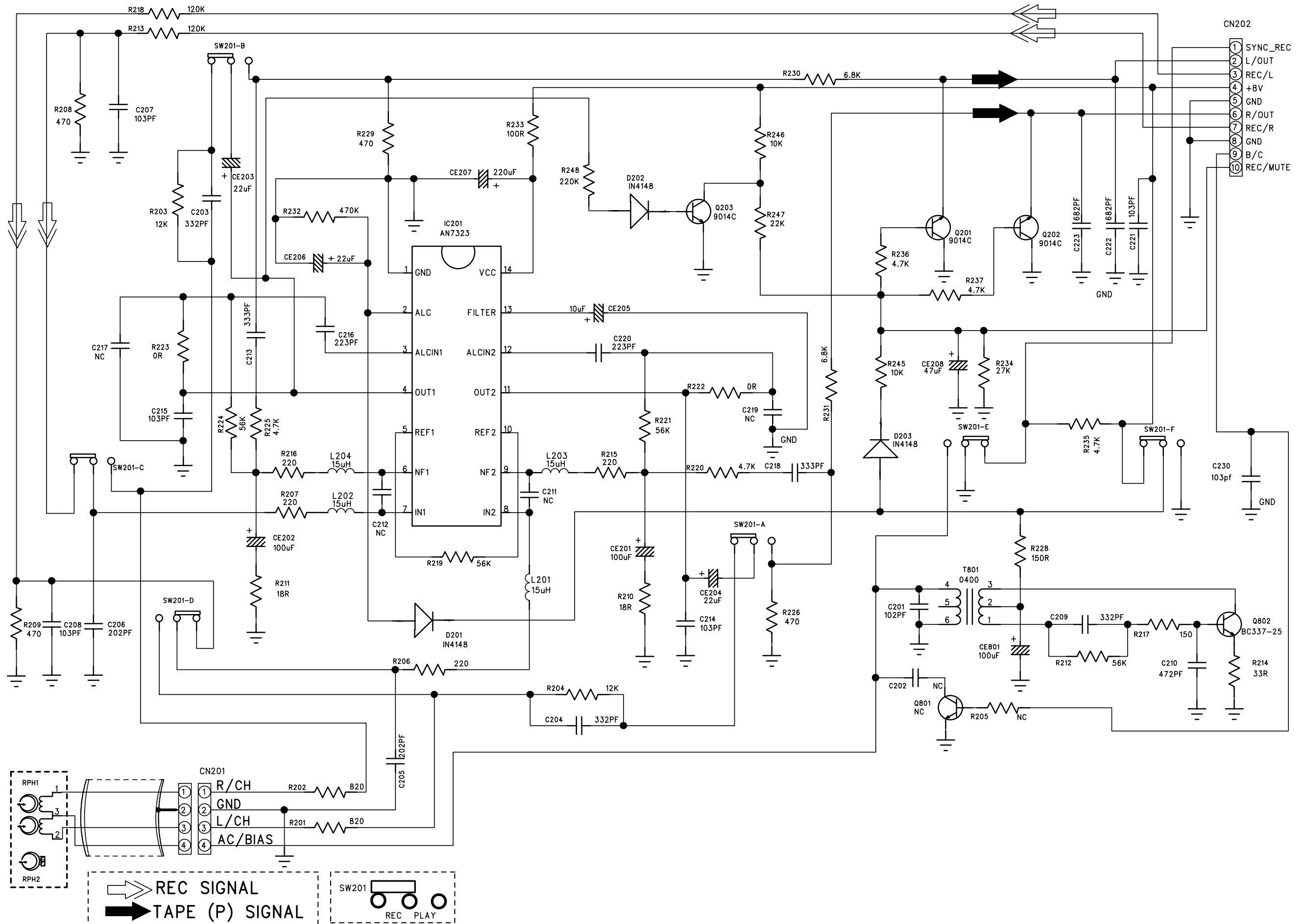


Mute On=H

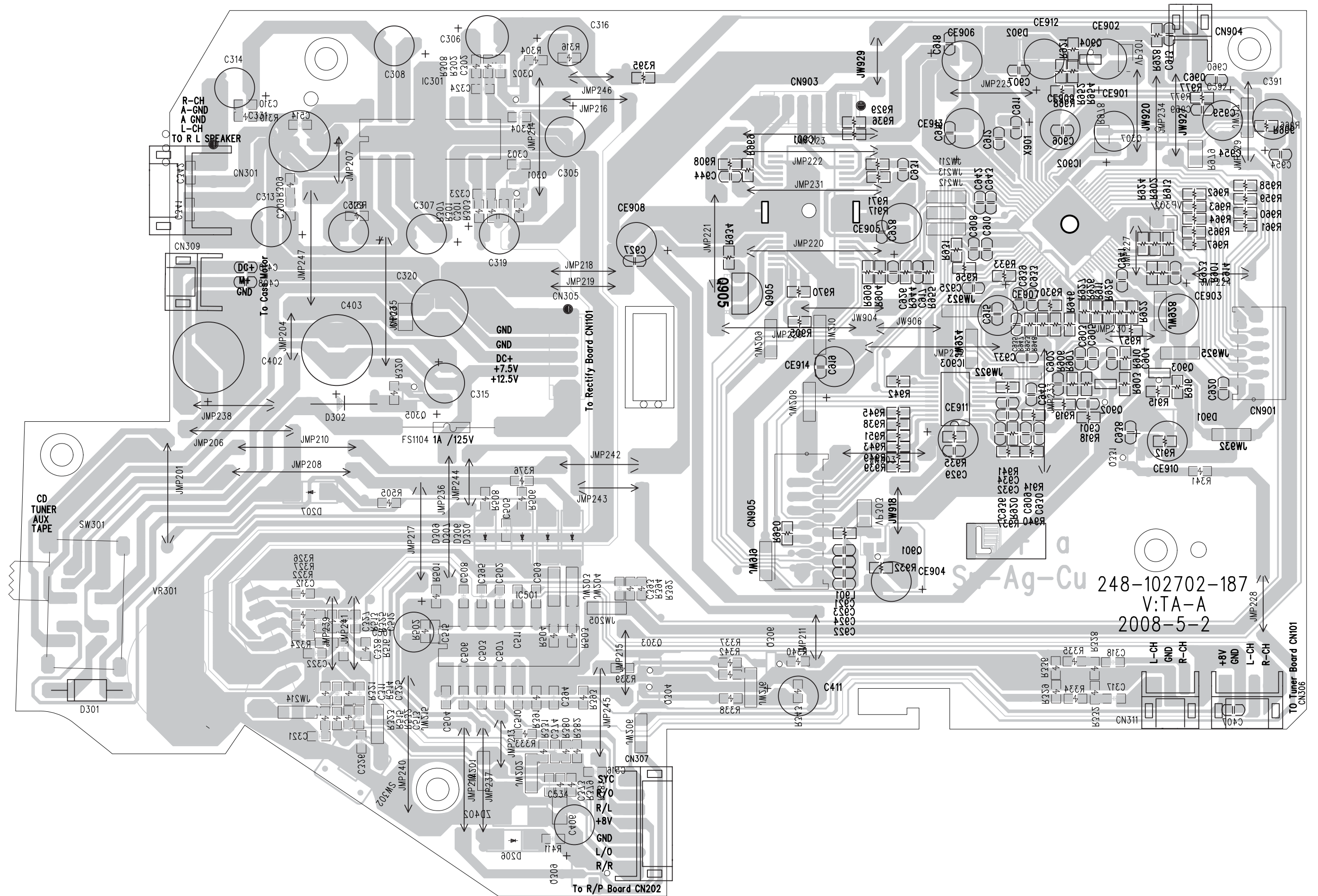
SYNC-REC = H



CIRCUIT DIAGRAM - TAPE BOARD

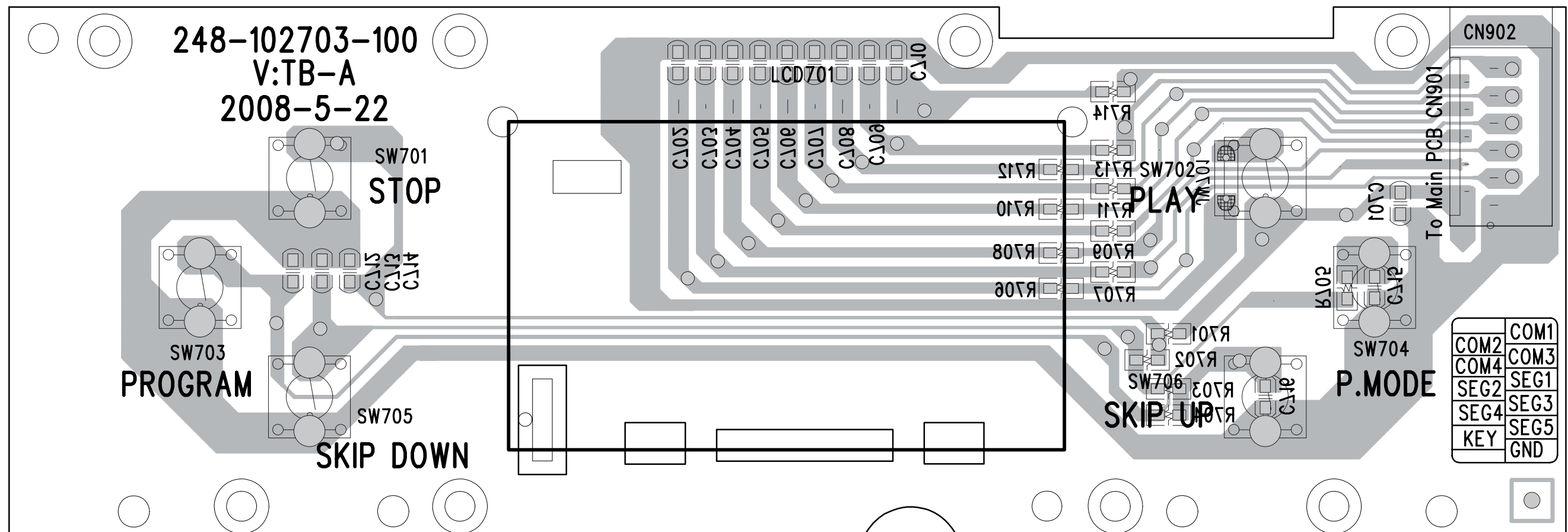


LAYOUT DIAGRAM - MAIN BOARD

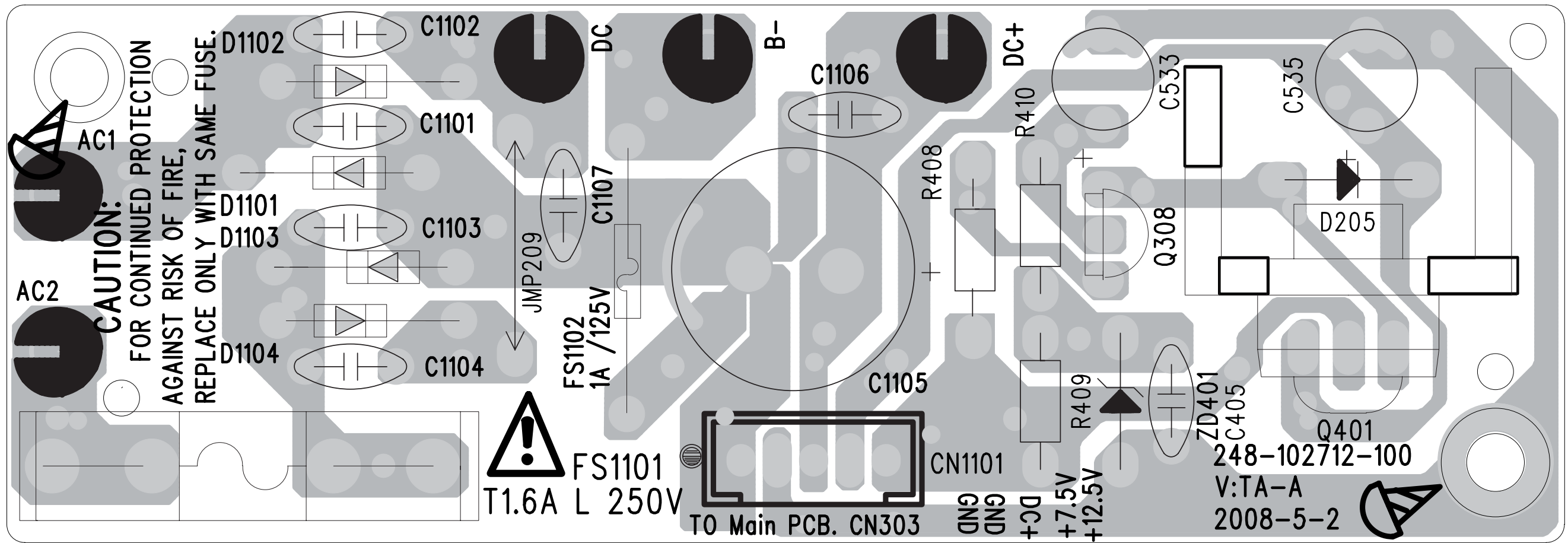


248-102702-187
 V:TA-A
 2008-5-2

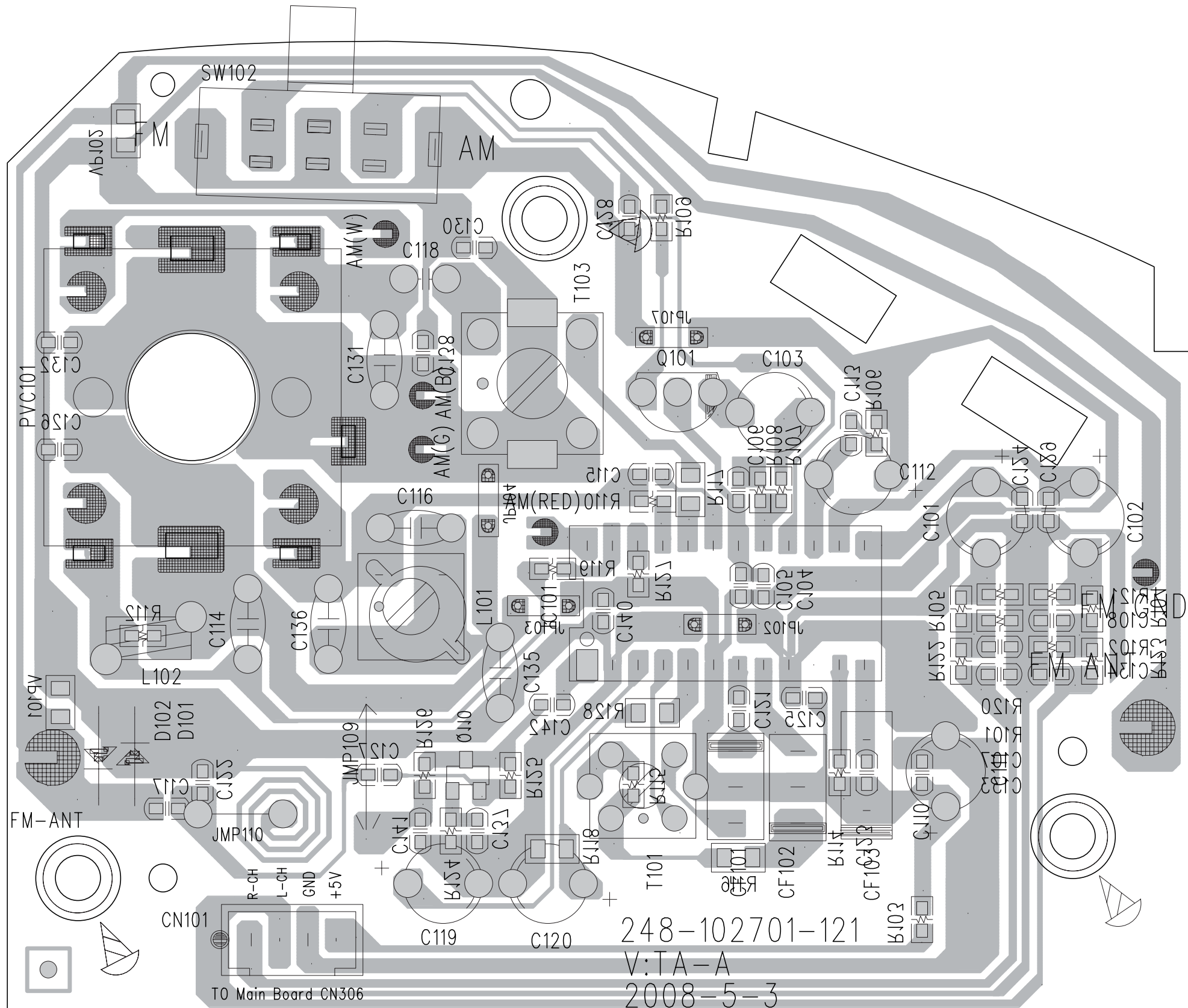
LAYOUT DIAGRAM - CONTROL BOARD



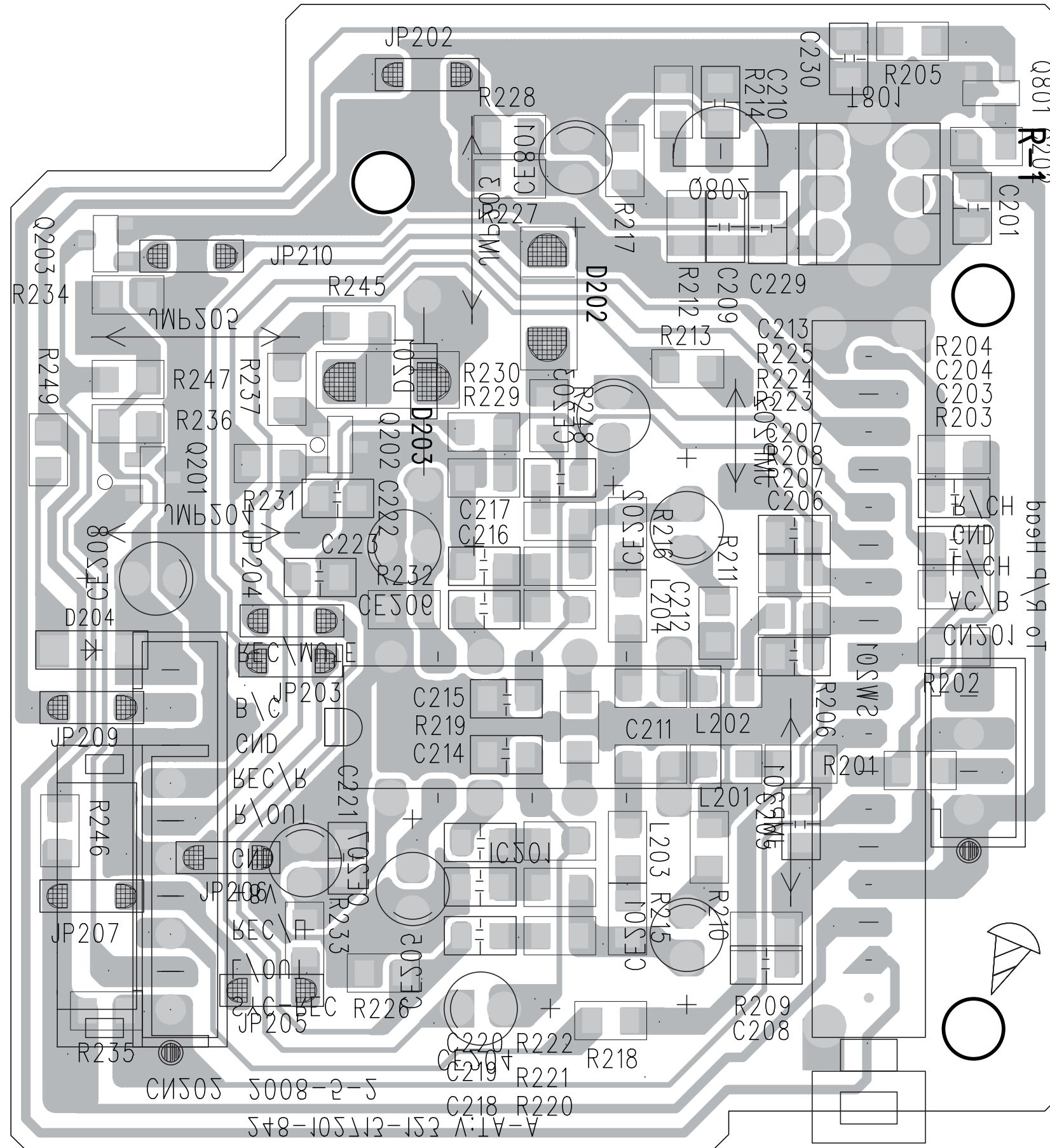
LAYOUT DIAGRAM - RECTIFIER BOARD



LAYOUT DIAGRAM - TUNER BOARD



LAYOUT DIAGRAM - TAPE BOARD



Service parts list

| | | |
|------|---------------------|--|
| 11 | 996510003632 | CD MECHANISM |
| 12 | 996510001991 | POWER TRANSFORMER (T41-0584) |
| 13 | 996510015932 | AC SOCKET TC08-115-02 |
| 14 | 996510018793 | BATTERY DOOR |
| 15 | 996510018794 | HANDLE |
| 16 | 996510018795 | HANDLE COVER (L) |
| 17 | 996510018796 | HANDLE COVER(R) |
| 18 | 996510018797 | CD DOOR |
| 19 | 996510018798 | CASS. DOOR |
| 20 | 996510001994 | CASS DOOR GEAR |
| 21 | 996510001995 | CASS DOOR GEAR HOLDER |
| 22 | 996510018799 | FM ANTENNA |
| 23 | 996510003634 | CD DOOR SPRING |
| 24 | 996510018800 | CASS DOOR SPRING |
| LINE | 994000001745 | POWER CORD SET (BLACK) VDE (only for -/12/98/73) |
| LINE | 996510009403 | POWER CORD SET (only for -/61) |
| LINE | 996510009870 | POWER CORD SET (only for -/79) |
| LINE | 996510022132 | POWER CORD SET (only for -/93) |
| LINE | 996510026569 | POWER CORD SET (only for -/94) |
| D | 996510022133 | D-BOX (only for -/93) |

Note: Only these parts mentioned in the list are normal service parts.