

Service  
Service  
**Service**



# Service Manual



## CONTENTS

Set wiring digram.....3-1

Circuit diagram

    Main board .....4-1..4-2

    Tape board.....5-1

Layout diagram

    Main board.....6-1

    Control board.....7-1

    Rectifier board .....8-1

    Tuenr board .....9-1

    Tape board.....10-1

Service parts list .....11-1



© Copyright 2008 Philips Consumer Electronics B.V. Eindhoven, The Netherlands  
All rights reserved. No part of this publication may be reproduced, stored in a retrieval system or transmitted, in any form or by any means, electronic, mechanical, photocopying, or otherwise without the prior permission of Philips.

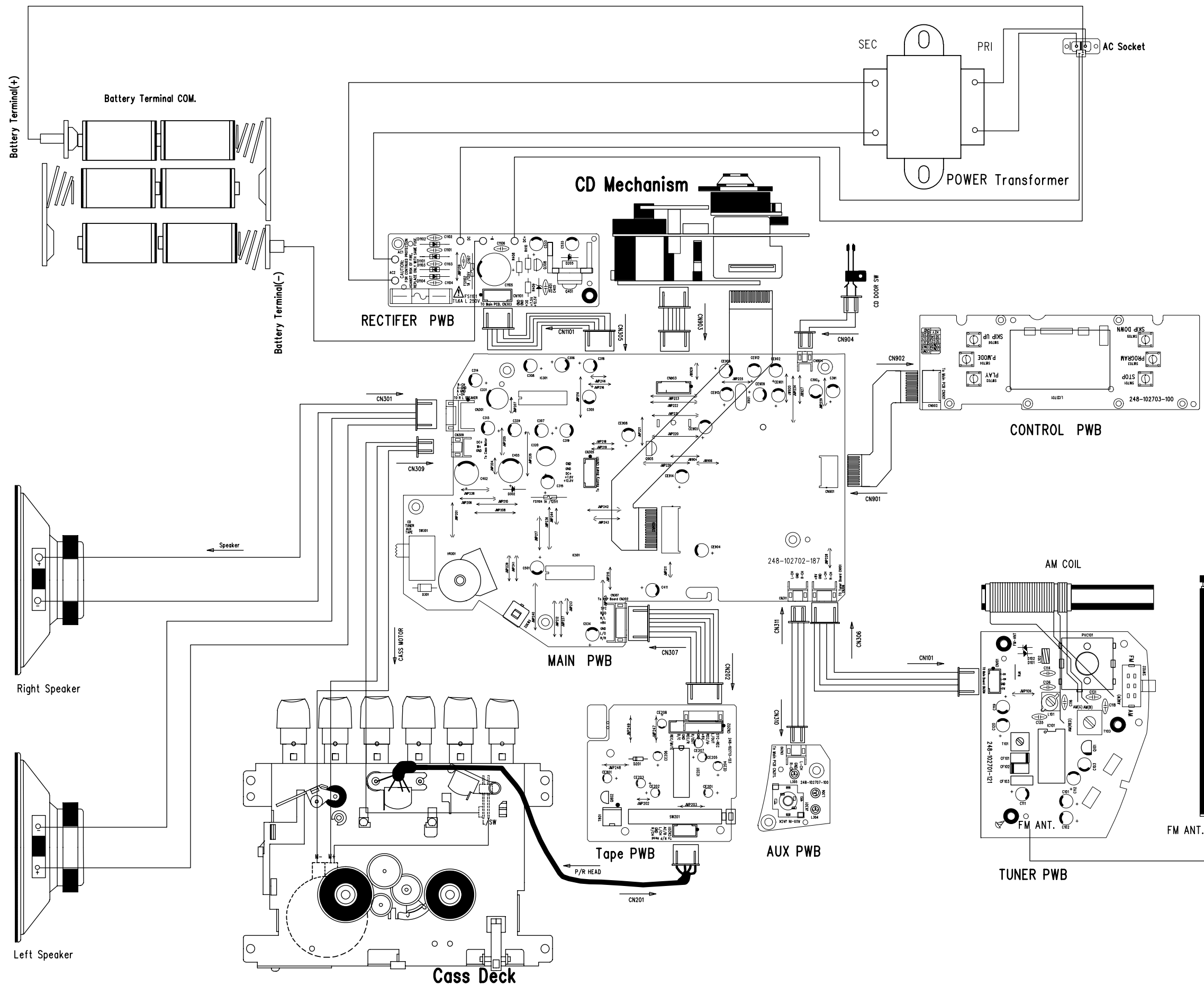
Published by LX 0908 Service Audio Subject to modification

3141 785 32931

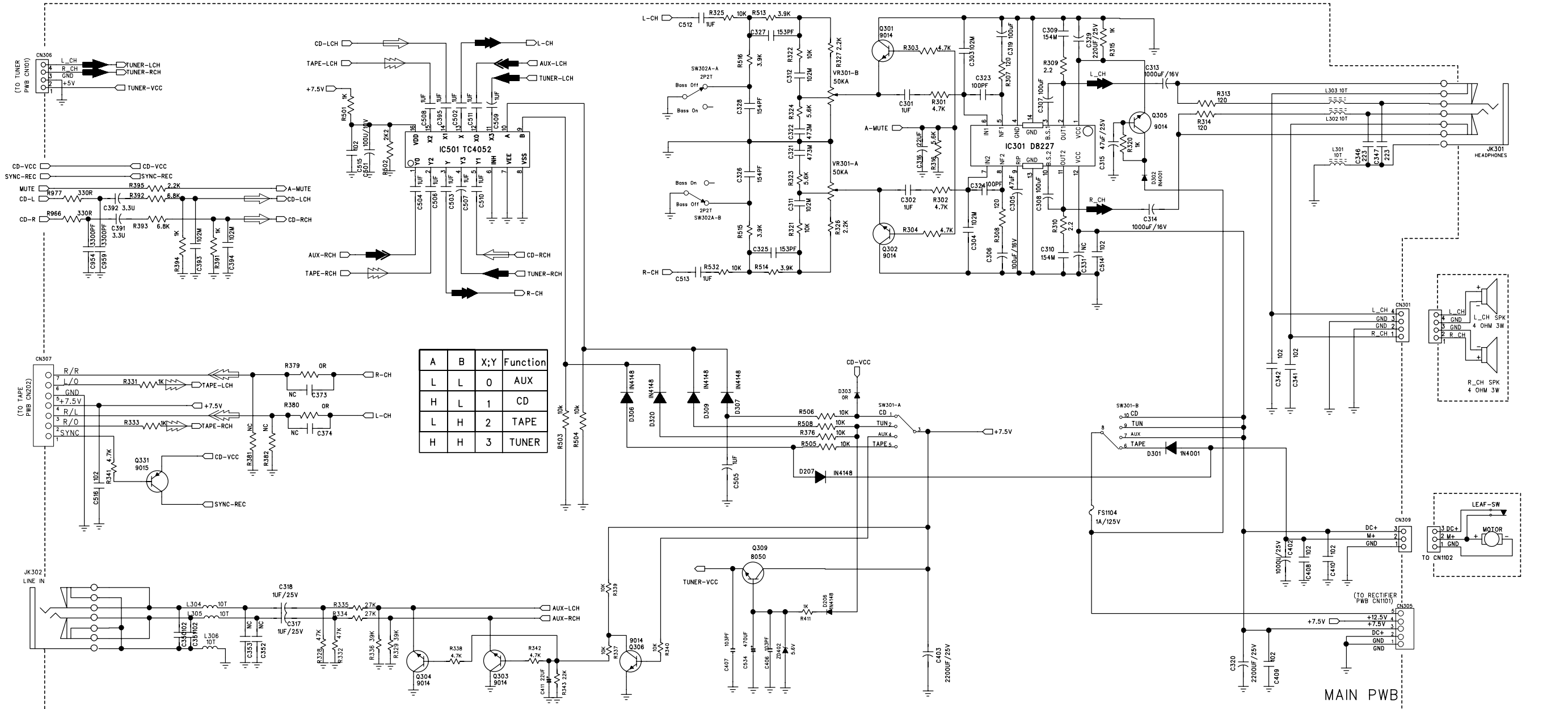
## Version 1.1



# SET WIRING DIAGRAM

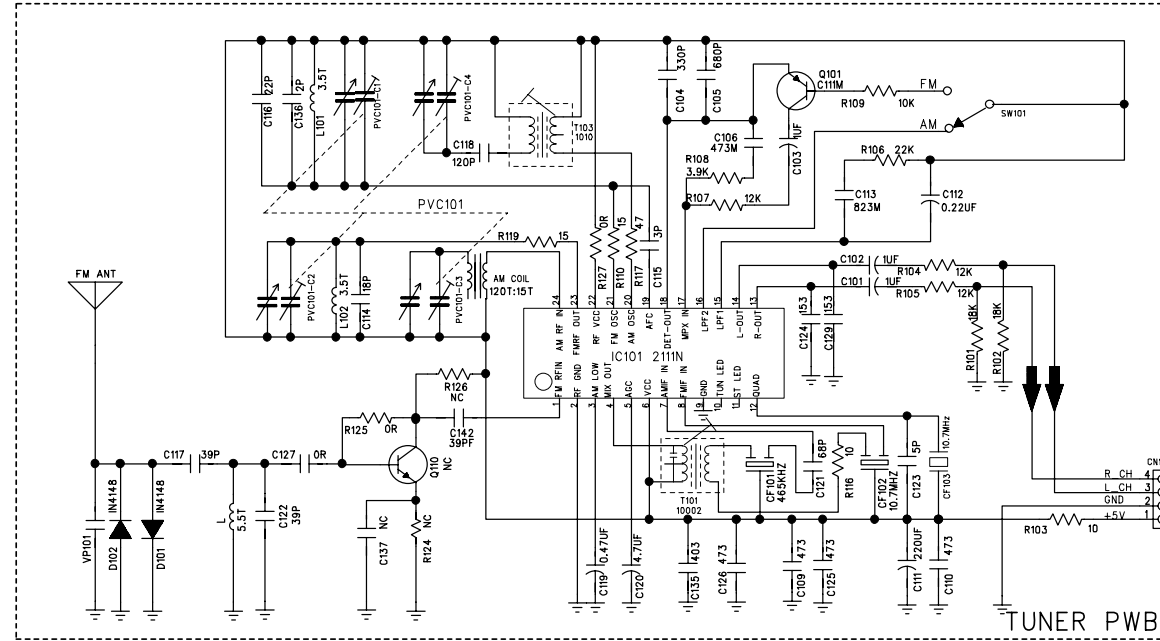


# CIRCUIT DIAGRAM - MAIN BOARD

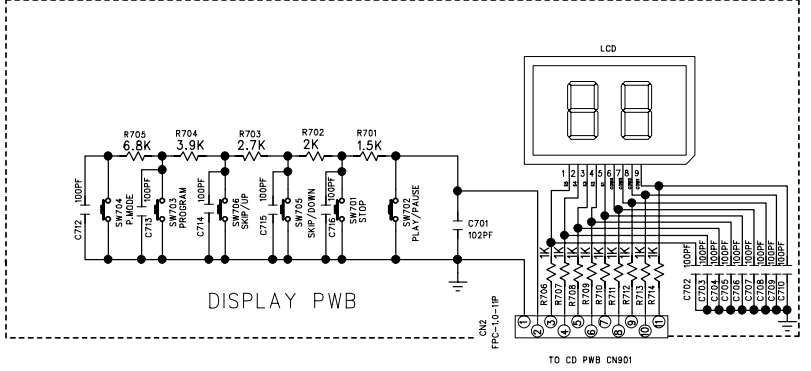


A	B	X;Y	Function
L	L	0	AUX
H	L	1	CD
L	H	2	TAPE
H	H	3	TUNER

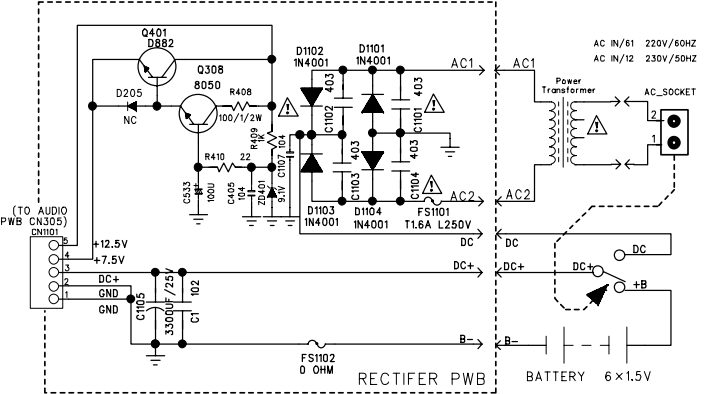
MAIN PWB



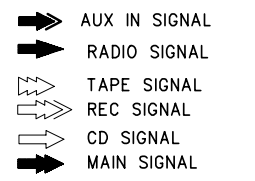
TUNER PWB



DISPLAY PWB



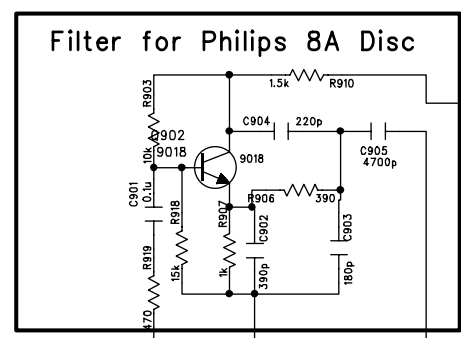
RECTIFIER PWB



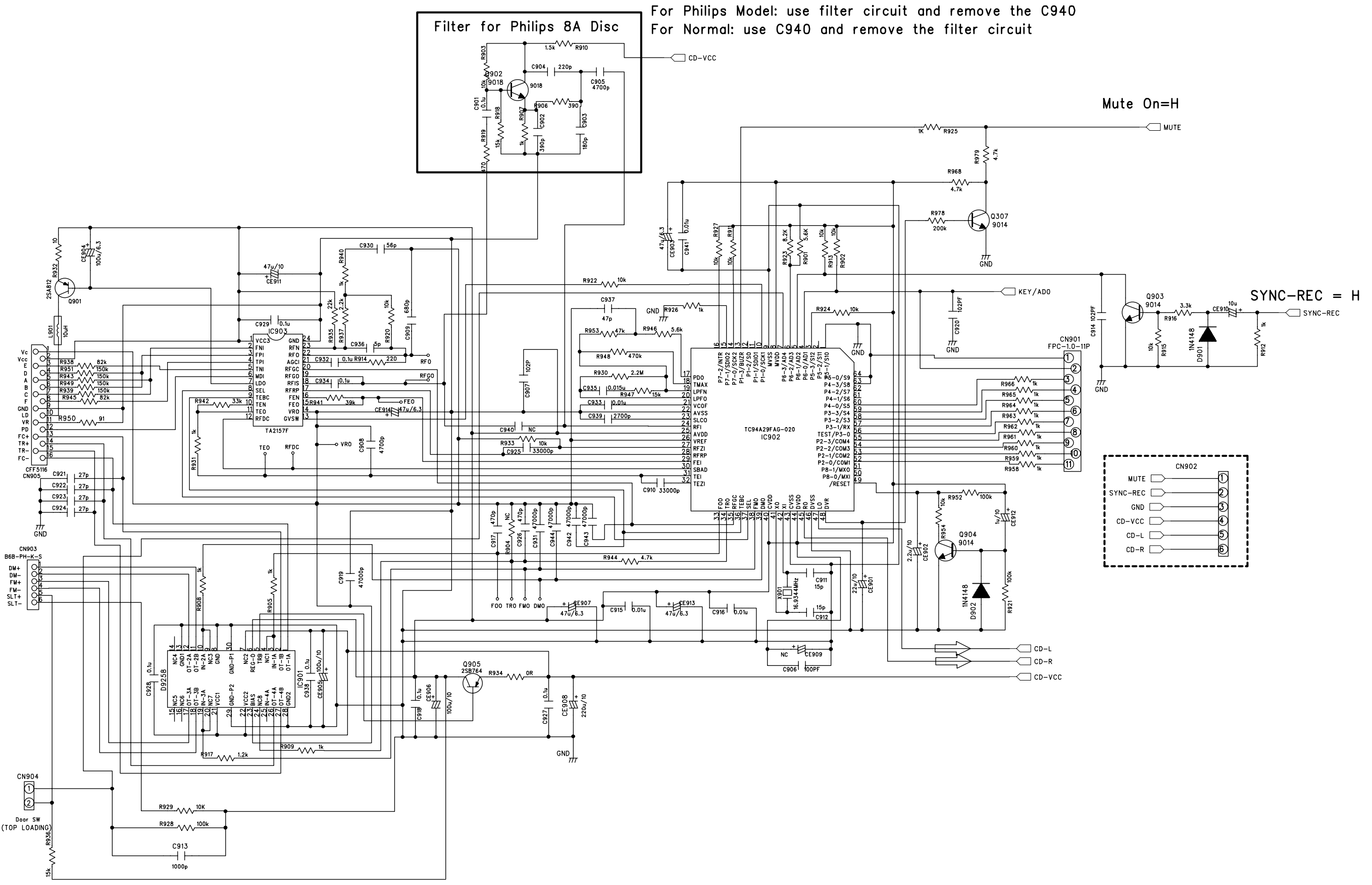
1. DISCONNECT POWER CORD BEFORE SERVING
2. RECOMMEND THE UNIT BE OPERATED BY DC 12V VOLTS DURING TROUBLE SHOOTING
3. COMPONENTS MARKED WITH  $\Delta$  HAVE CRITICAL CHARACTERISTICS. ONLY REPLACE WITH THE COMPONENT OF THE SAME TYPE NUMBER.
4. SUBJECT TO CHANGE WITHOUT NOTICE

BATTERY 6 x 1.5V

# CIRCUIT DIAGRAM - MAIN BOARD SERVO & MCU PART

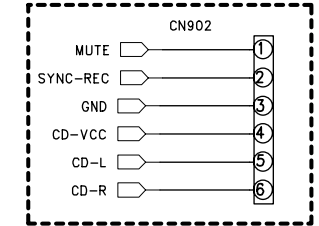


For Philips Model: use filter circuit and remove the C940  
 For Normal: use C940 and remove the filter circuit

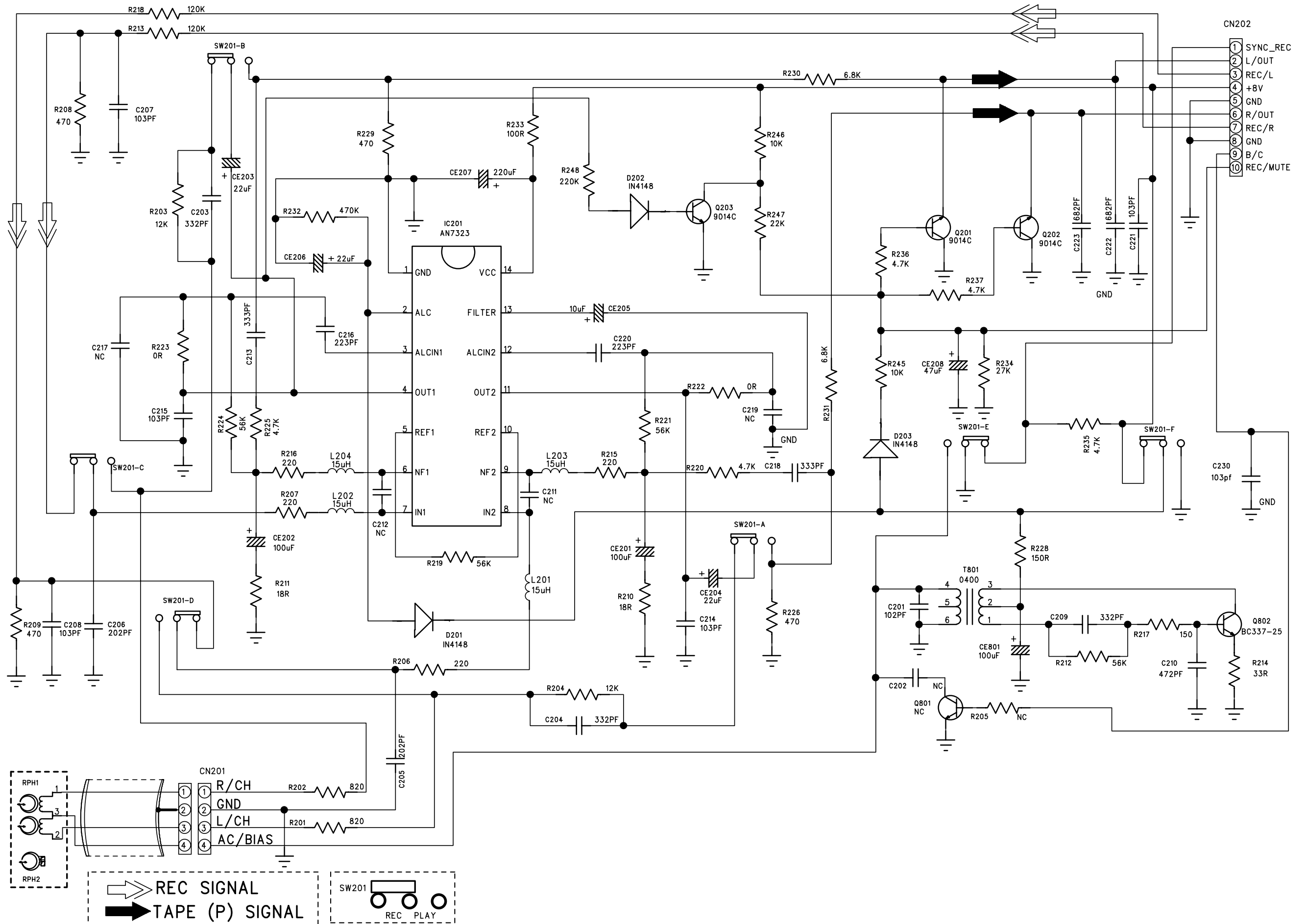


Mute On=H

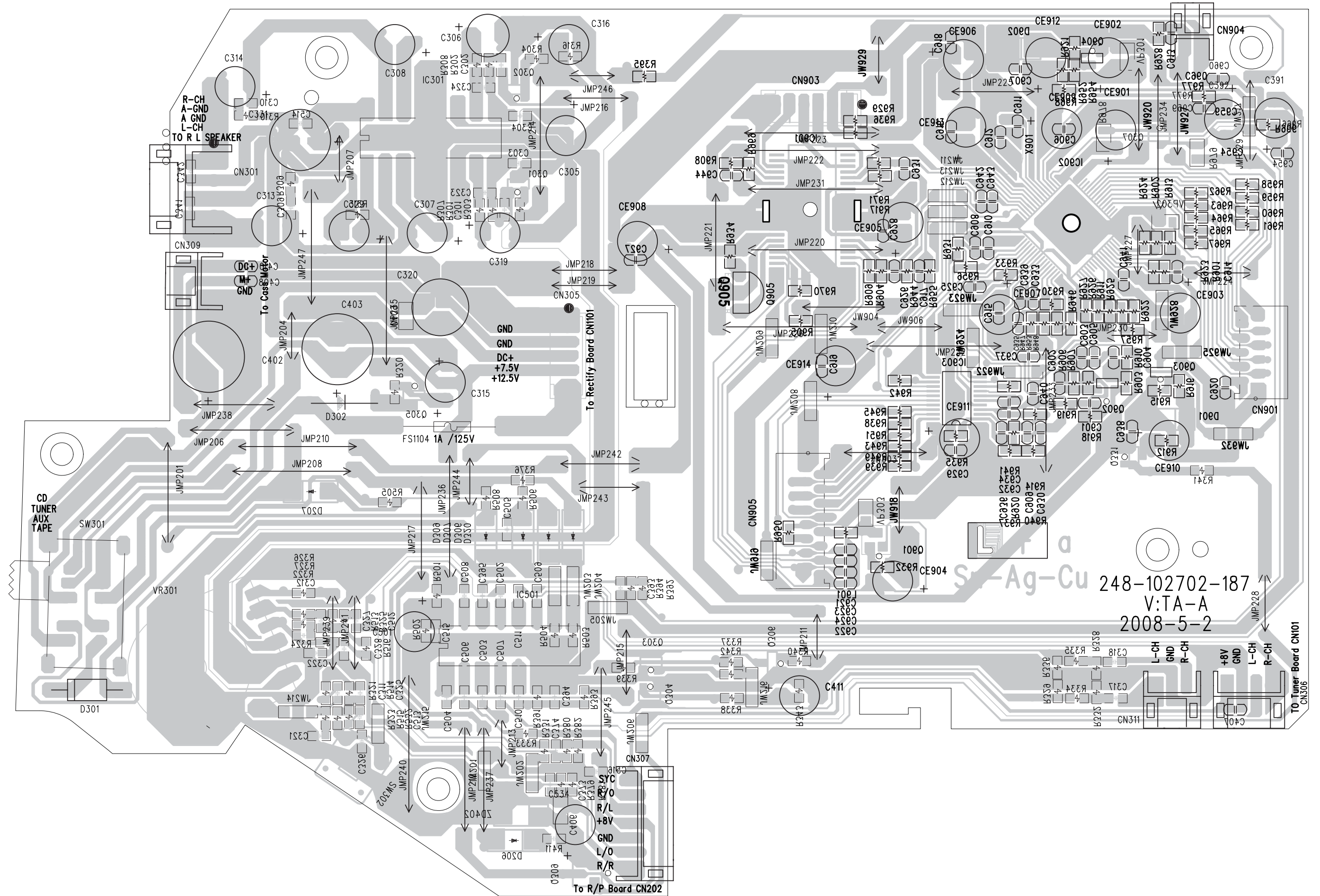
SYNC-REC = H



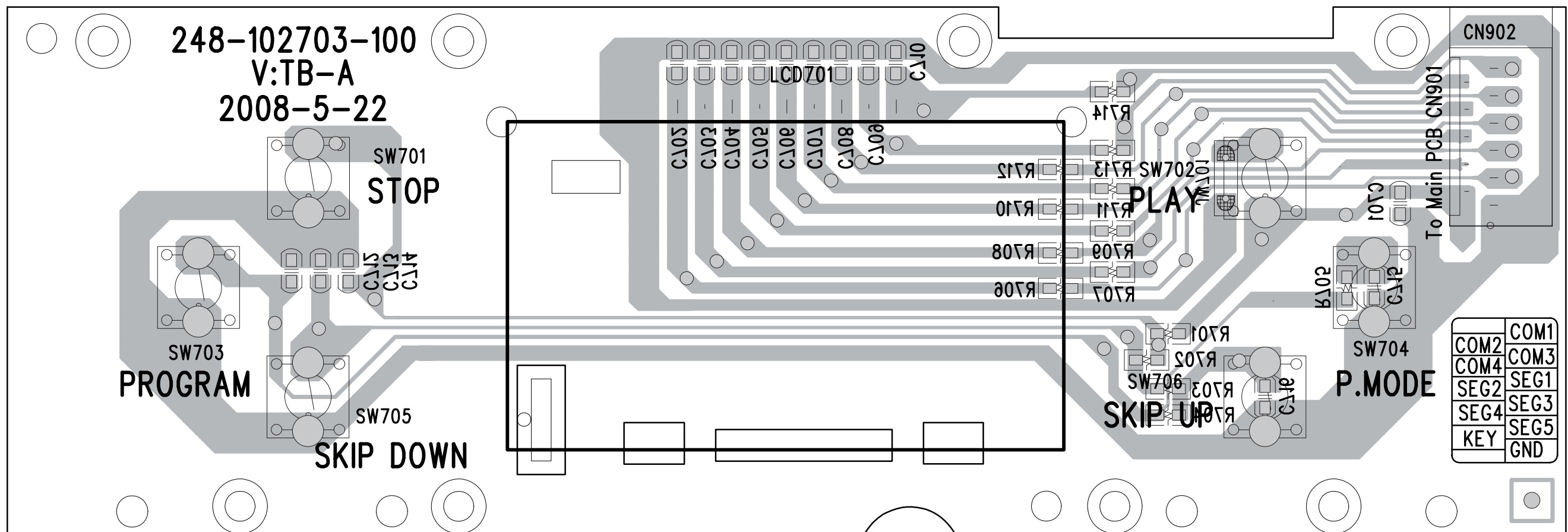
# CIRCUIT DIAGRAM - TAPE BOARD



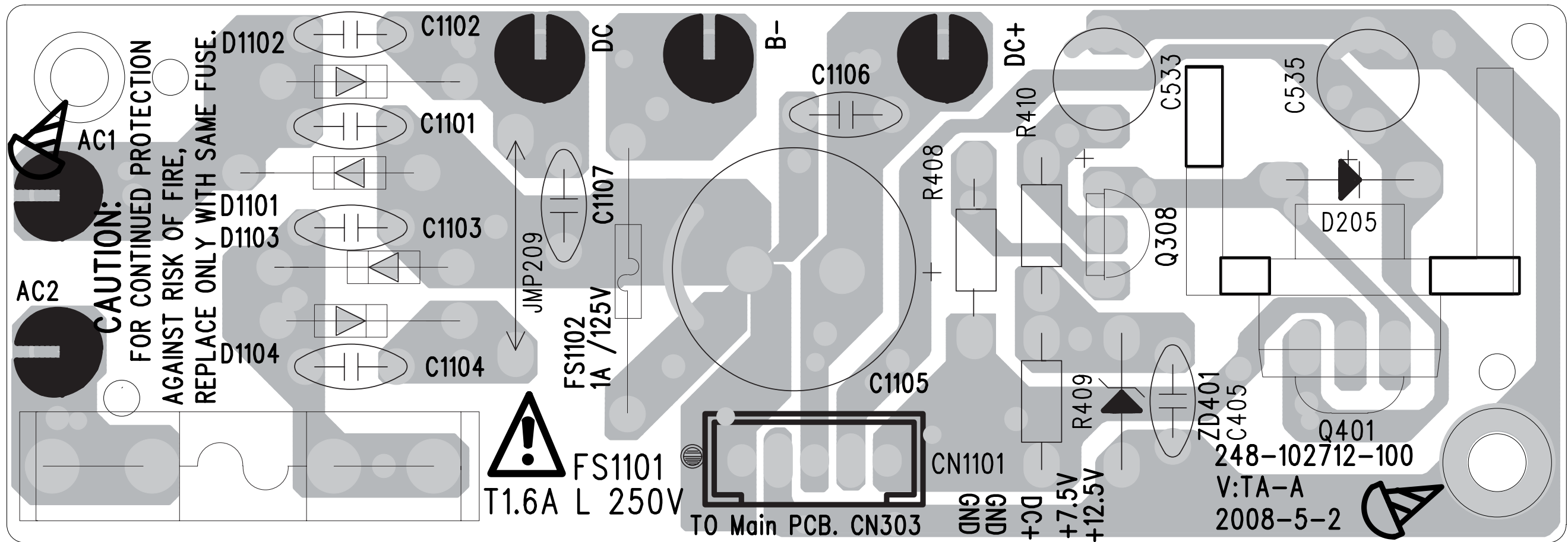
LAYOUT DIAGRAM - MAIN BOARD



LAYOUT DIAGRAM - CONTROL BOARD

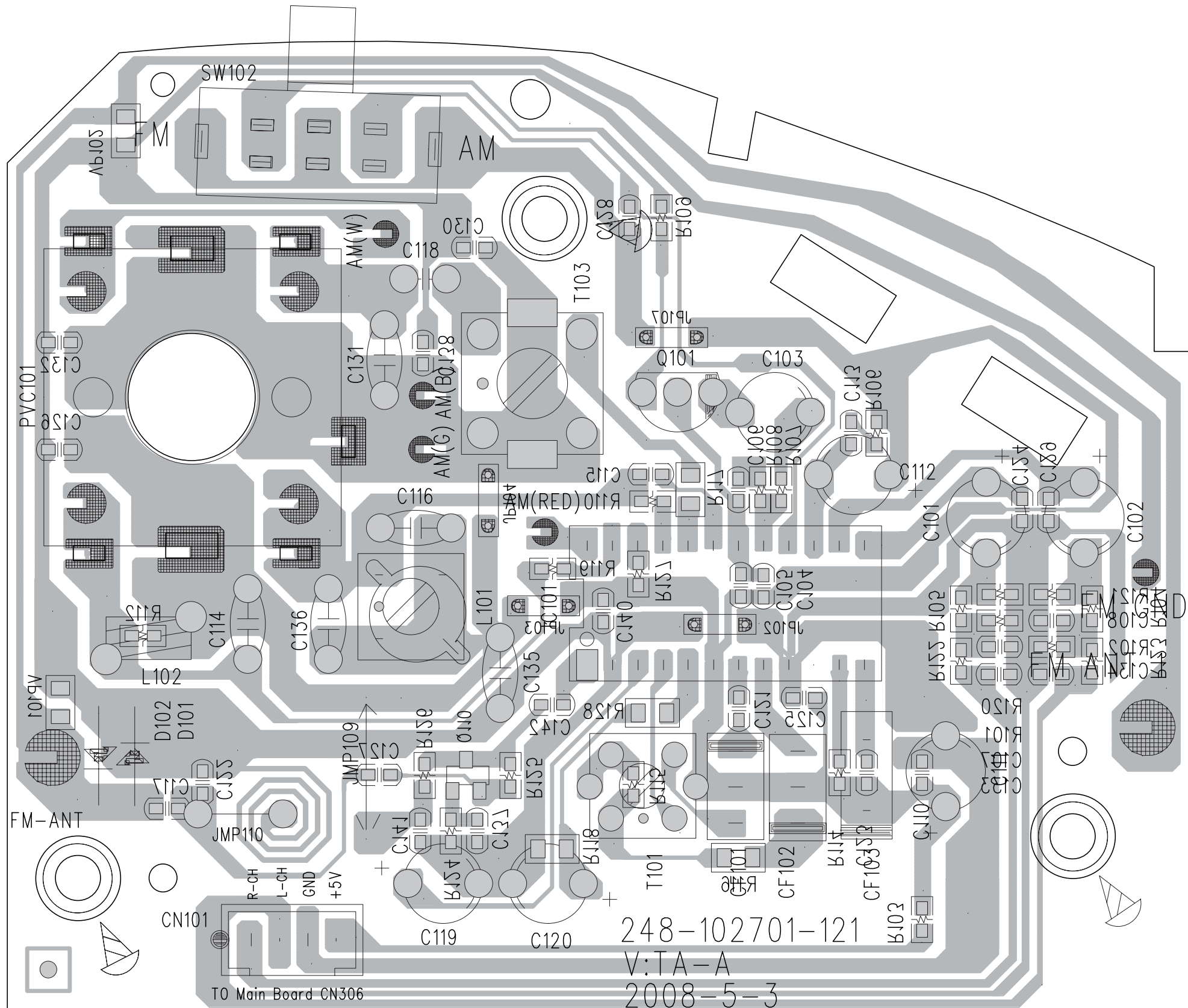


LAYOUT DIAGRAM - RECTIFIER BOARD

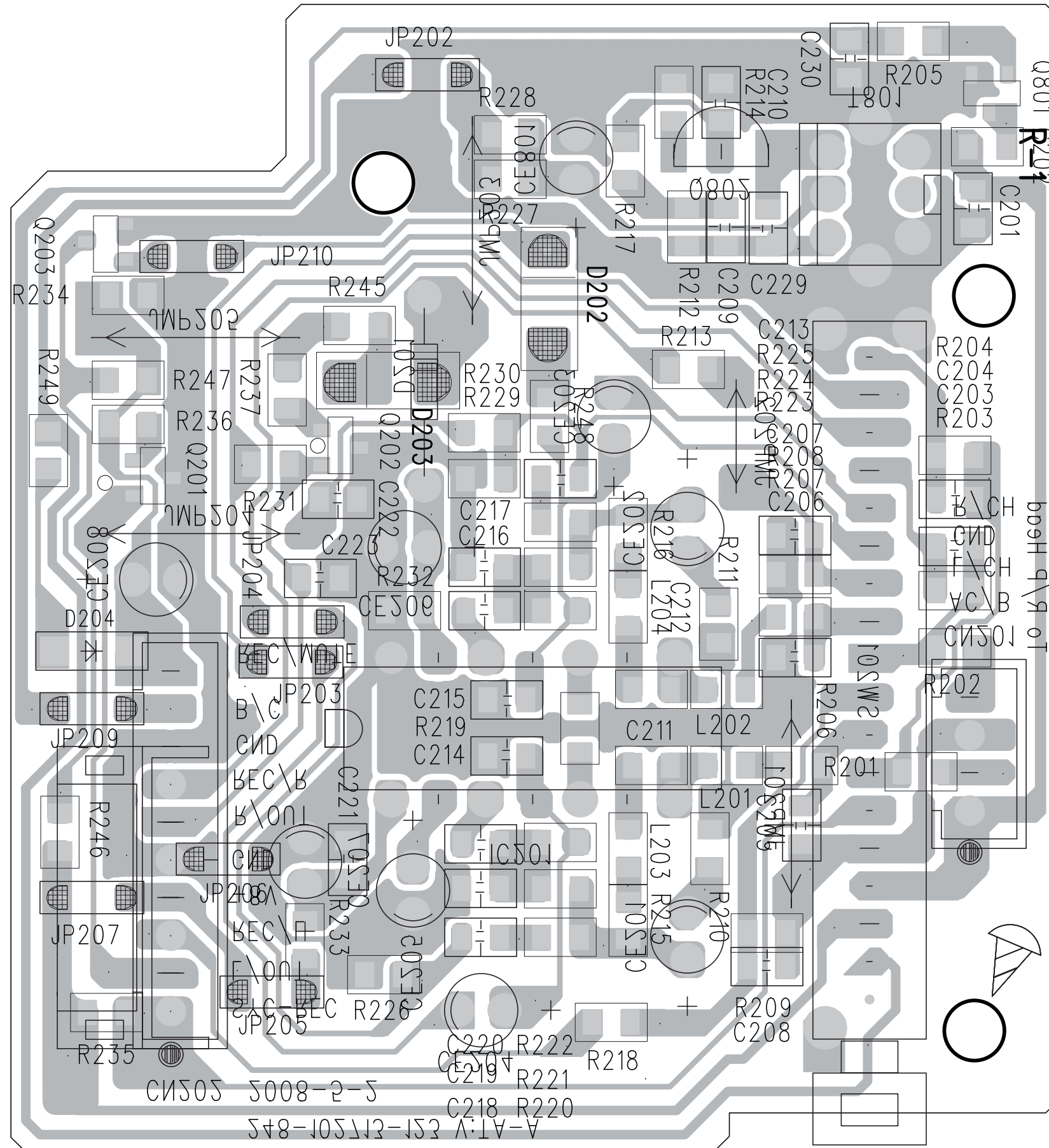




LAYOUT DIAGRAM - TUNER BOARD



LAYOUT DIAGRAM - TAPE BOARD



**Service parts list**

11	<b>996510003632</b>	<b>CD MECHANISM</b>
12	<b>996510001991</b>	<b>POWER TRANSFORMER (T41-0584)</b>
13	<b>996510015932</b>	<b>AC SOCKET TC08-115-02</b>
14	996510018793	BATTERY DOOR
15	996510018794	HANDLE
16	996510018795	HANDLE COVER (L)
17	996510018796	HANDLE COVER(R)
18	996510018797	CD DOOR
19	996510018798	CASS. DOOR
20	996510001994	CASS DOOR GEAR
21	996510001995	CASS DOOR GEAR HOLDER
22	996510018799	FM ANTENNA
23	996510003634	CD DOOR SPRING
24	996510018800	CASS DOOR SPRING
LINE	994000001745	POWER CORD SET (BLACK) VDE (only for -/12/98/73)
LINE	<b>996510009403</b>	POWER CORD SET (only for -/61)
LINE	<b>996510009870</b>	POWER CORD SET (only for -/79)
LINE	<b>996510022132</b>	POWER CORD SET (only for -/93)
LINE	<b>996510026569</b>	POWER CORD SET (only for -/94)
D	<b>996510022133</b>	D-BOX (only for -/93)

**Note: Only these parts mentioned in the list are normal service parts.**