

Service
Service
Service



Service Manual

AZ1122 & AZ1123 are classified as exchange models. This manual only gives some diagrams for basic repair in some regions.



TABLE OF CONTENTS

Wiring diagram2

Circuit diagram
 CD & display.....3
 Tuner & Power4

Layout diagram
 Main board (top view).....5
 Main board (bottom view).....6
 Display/key board.....7

Service partslist.....8



© Copyright 2006 Philips Consumer Electronics B.V. Eindhoven, The Netherlands
All rights reserved. No part of this publication may be reproduced, stored in a retrieval system or transmitted, in any form or by any means, electronic, mechanical, photocopying, or otherwise without the prior permission of Philips.

Published by YT 0616 Service Audio Subject to modification

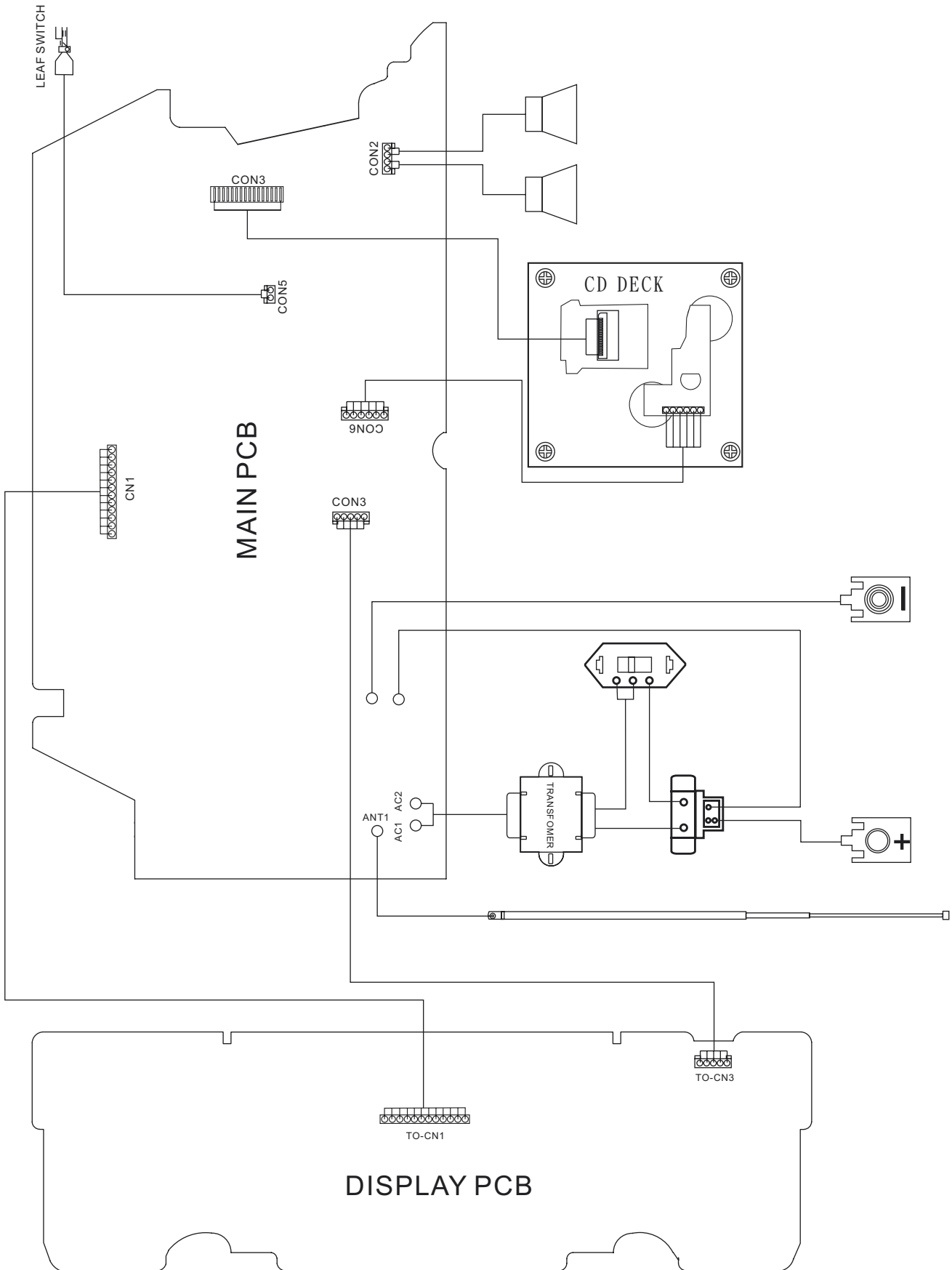
GB 3141 785 31060

Version 1.0

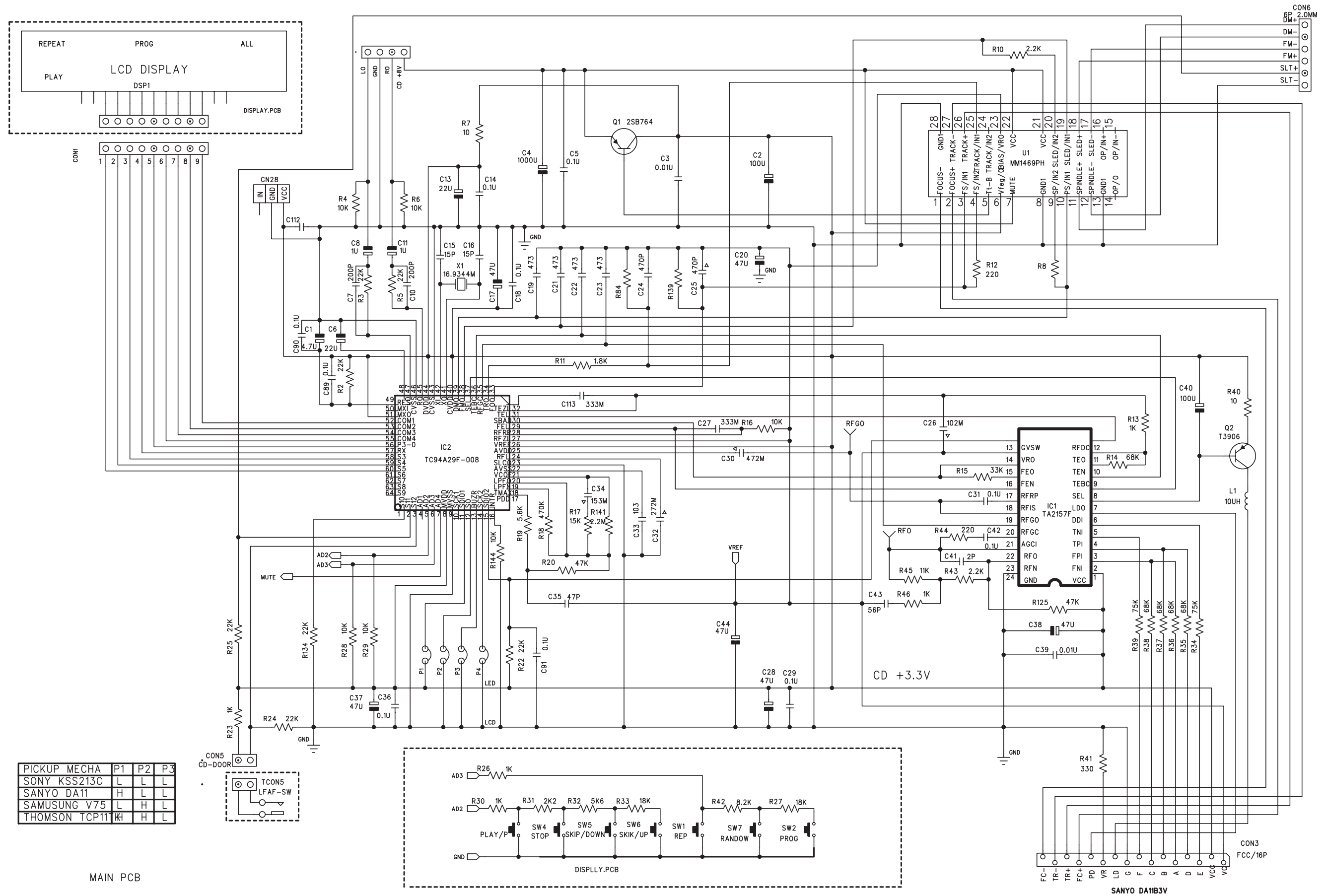


PHILIPS

SET WIRING DIAGRAM



CIRCUIT DIAGRAM - CD AND DISPLAY

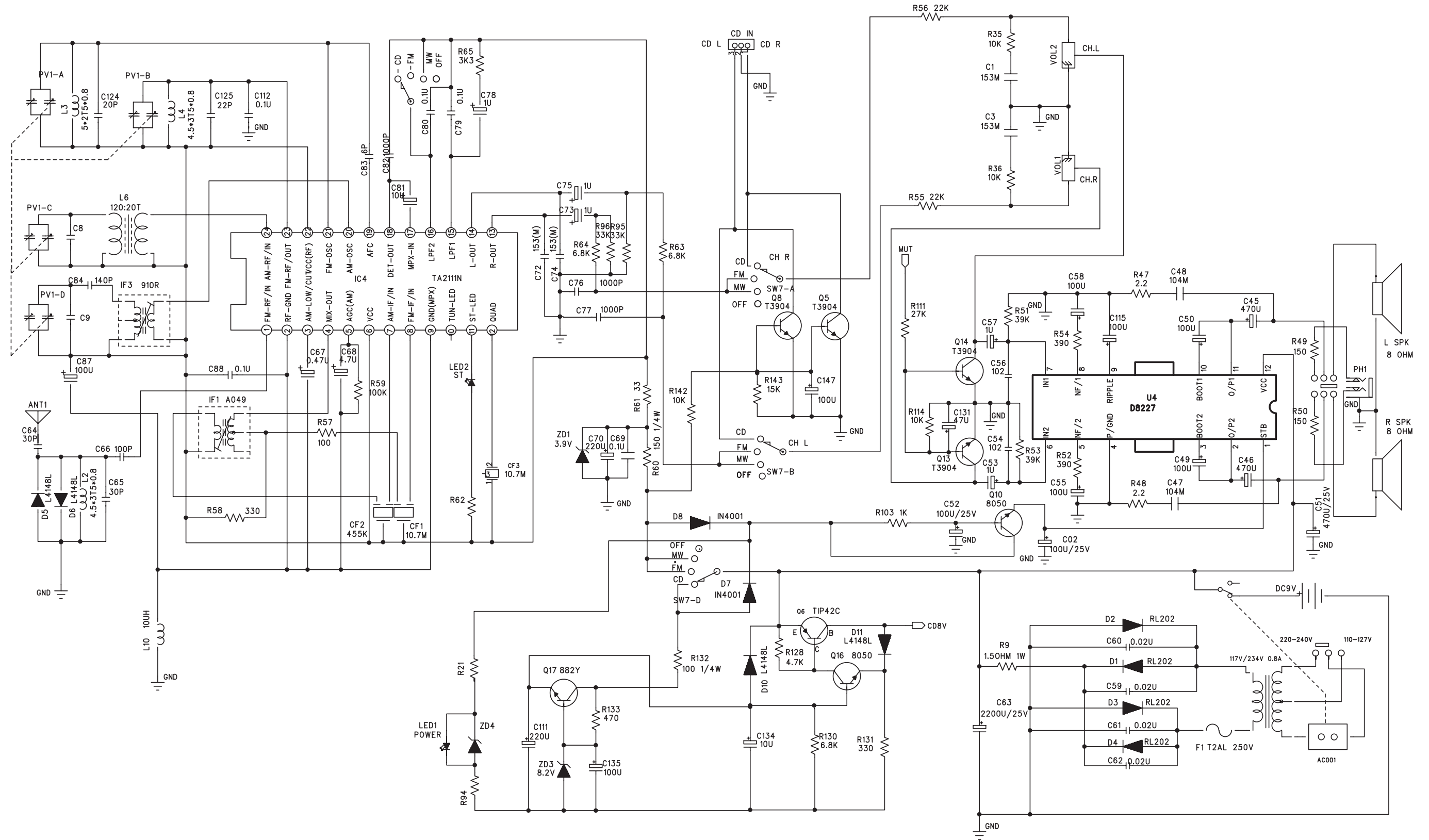


PICKUP MECHA	P1	P2	P3
SONY KSS213C	L	L	L
SANYO DA11	H	L	L
SAMUSUNG V75	L	H	L
THOMSON TCP111	H	H	L

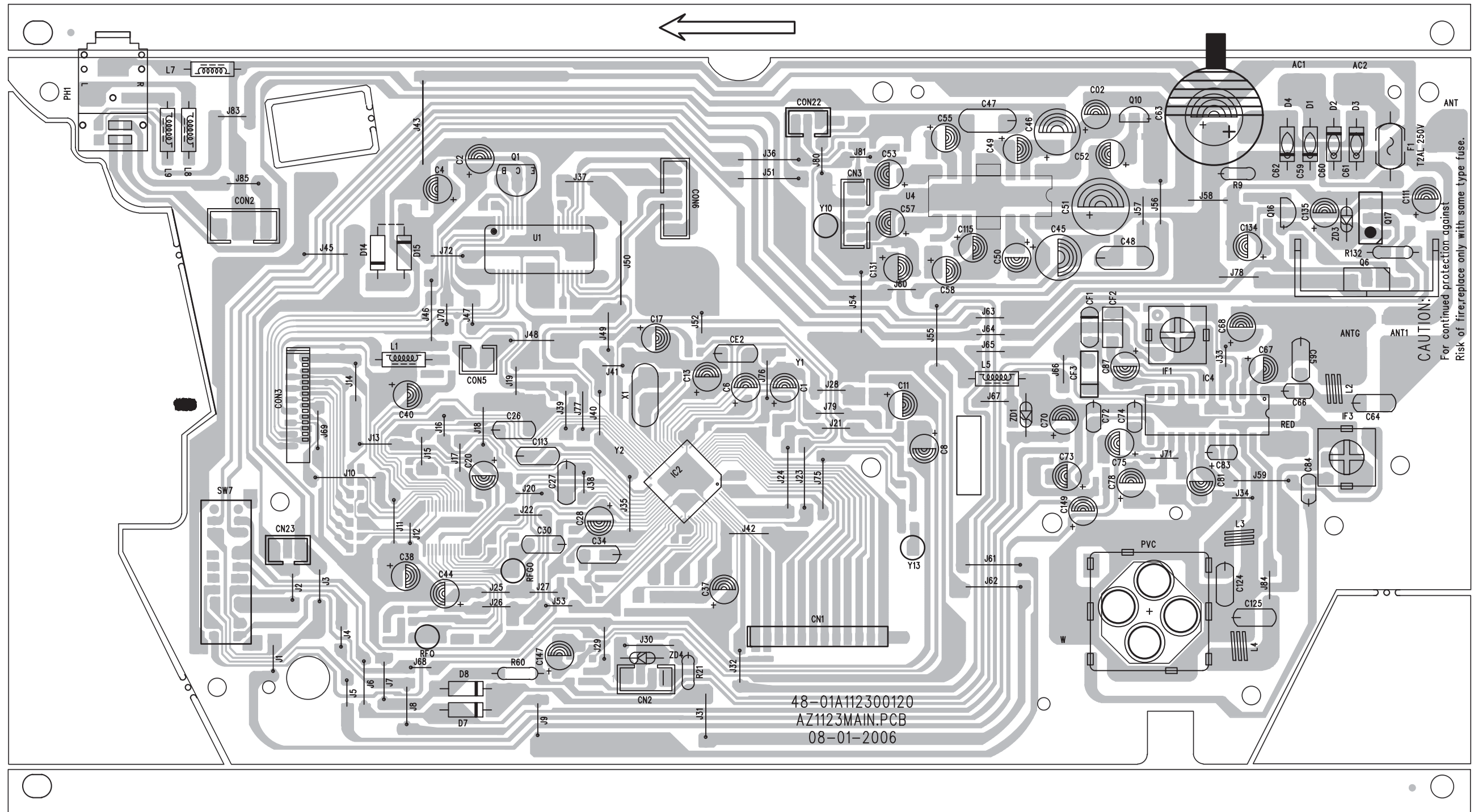
MAIN PCB

SANYO DA11B3V

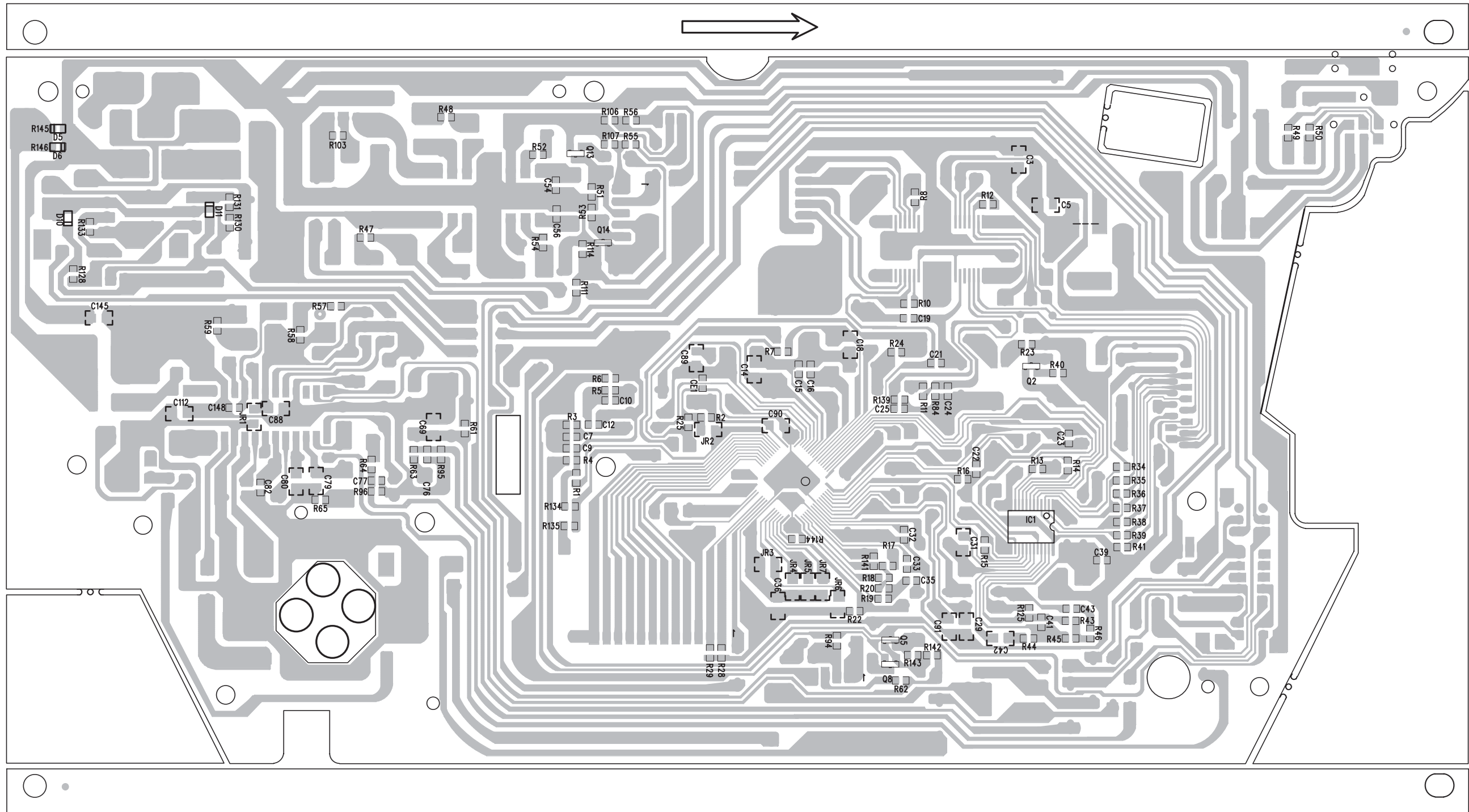
CIRCUIT DIAGRAM - TUNER AND POWER



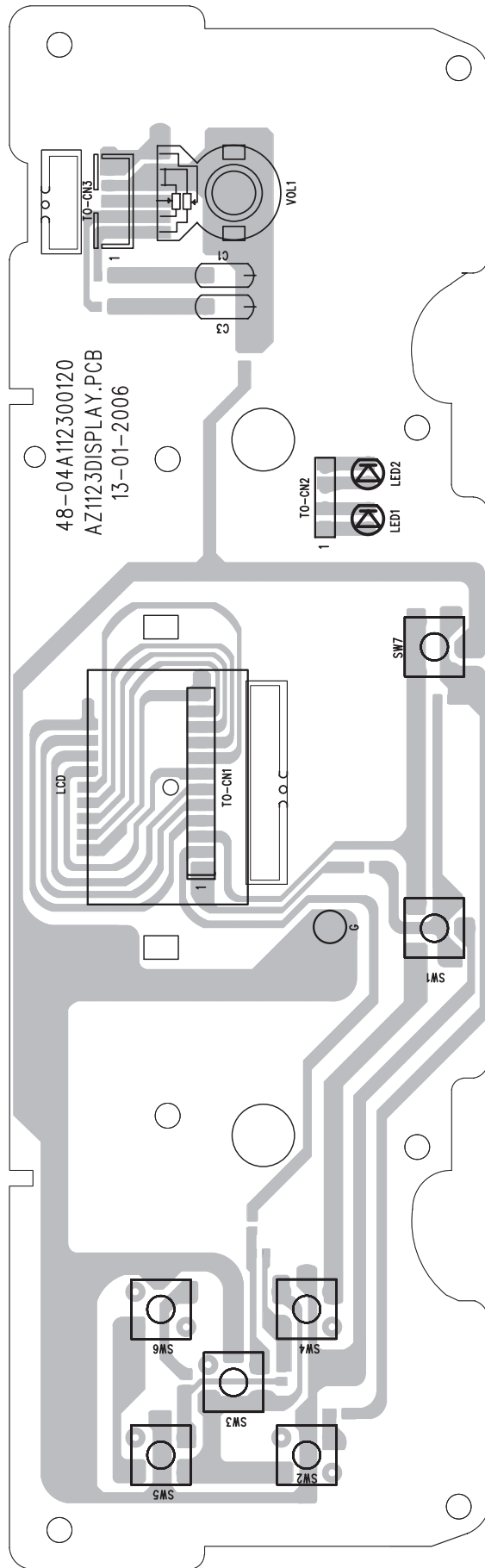
LAYOUT DIAGRAM - MAIN BOARD (TOP VIEW)



LAYOUT DIAGRAM - MAIN BOARD (BOTTOM VIEW)



LAYOUT DIAGRAM - Display / Key Board



SERVICE PARTS LIST

<u>AZ1122</u>	<u>AZ1123</u>	<u>DESCRIPTION</u>
9940 000 05644	9940 000 05087	BATTERY DOOR
9940 000 05645	9940 000 05088	HANDLE
9940 000 05646	9940 000 05089	CD DOOR
9940 000 01687	9940 000 01687	ROD ANTENNA
9940 000 05086	9940 000 05086	DOOR LOCK #DSL-01B
9940 000 00505	9940 000 00505	SHOCK ABSORBER (658 TA 30C)
9940 000 00506	9940 000 00506	SHOCK ABSORBER (658 TB 40C)
9940 000 05085	9940 000 05085	CD MECHANISM DA11B3VZ
9940 000 01692	9940 000 01692	\$ AC CORD SET BRAZIL APP 6F (/78)
	9940 000 01688	\$ AC CORD SET CUL APP 6FT (/37)
9940 000 05083	9940 000 05083	\$ TRANSFORMER EI48 117/230V (/78)
9940 000 05084	9940 000 05084	SPEAKER 3" 2W 8Ω"