

Service  
Service  
Service



# Service Manual

AZ1130 is classified as an exchange model.  
This manual only gives some diagrams for  
basic repair in some regions.



## TABLE OF CONTENTS

- Wiring diagram .....2
- Key & Display board
  - circuit diagram .....3
  - layout diagram.....3
- Radio board
  - circuit diagram .....4
  - layout diagram.....5
- Power Amp board
  - layout diagram.....6
  - circuit diagram .....7
- CD / MPEG board
  - circuit diagram (CD Servo).....8
  - circuit diagram (MPEG) .....9
  - layout diagram.....10
- Service partslist..... 11



© Copyright 2005 Philips Consumer Electronics B.V. Eindhoven, The Netherlands  
All rights reserved. No part of this publication may be reproduced, stored in a retrieval  
system or transmitted, in any form or by any means, electronic, mechanical, photocopying,  
or otherwise without the prior permission of Philips.

Published by YT 0535 Service Audio Subject to modification

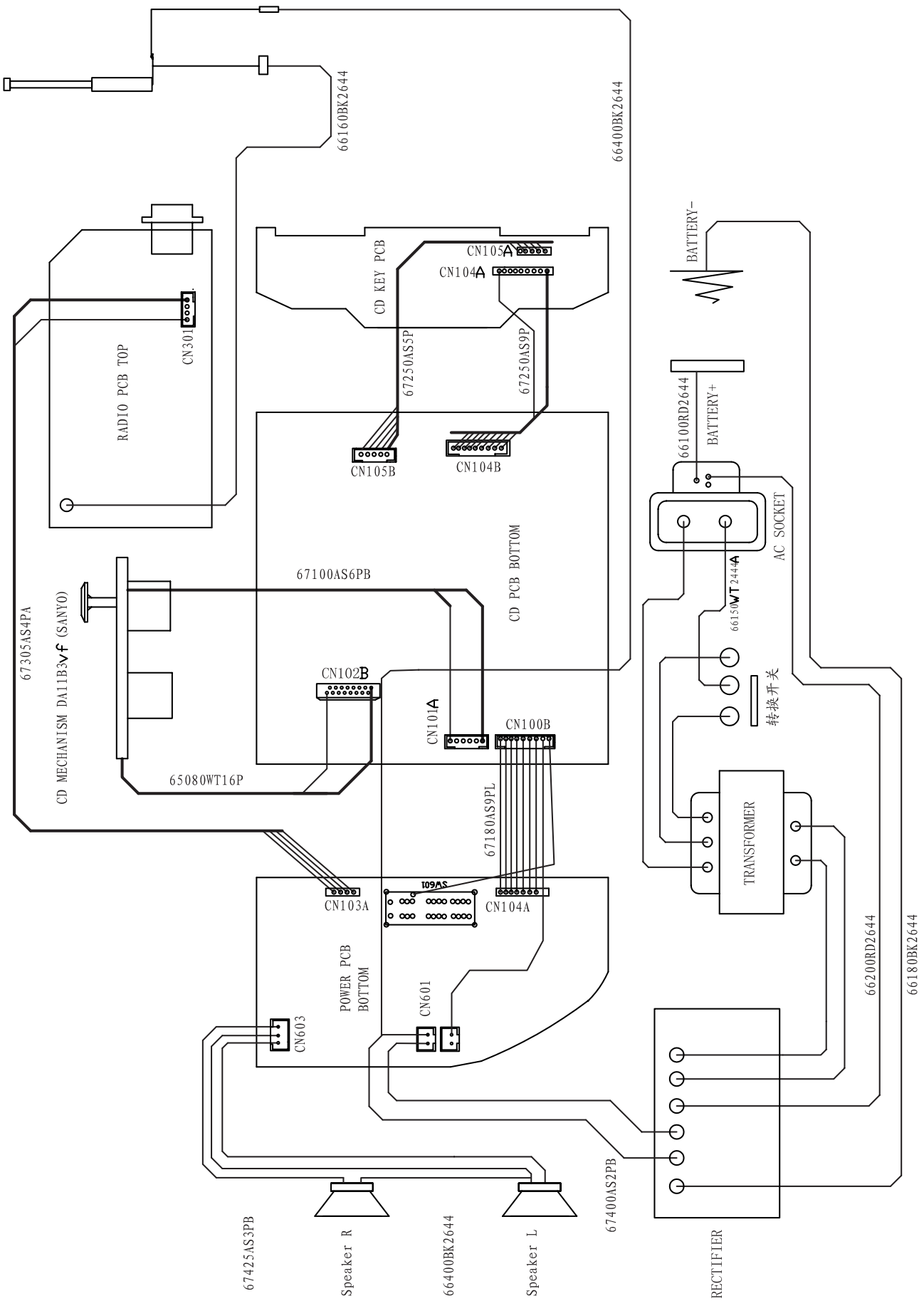
© 3141 785 30690

Version 1.0

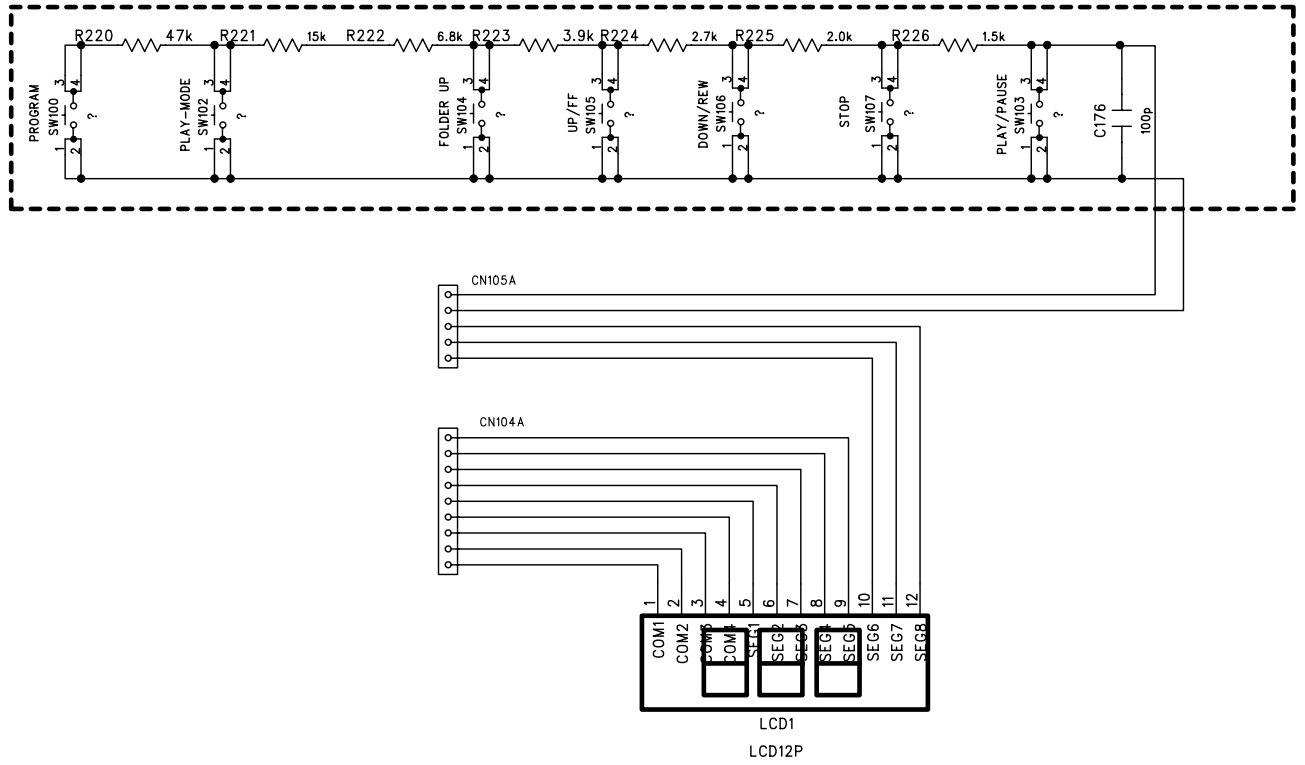


# PHILIPS

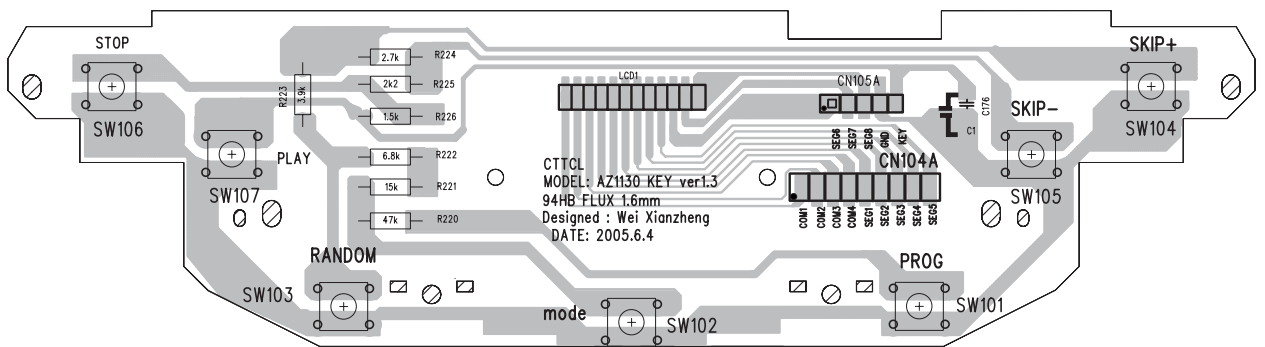
# SET WIRING DIAGRAM



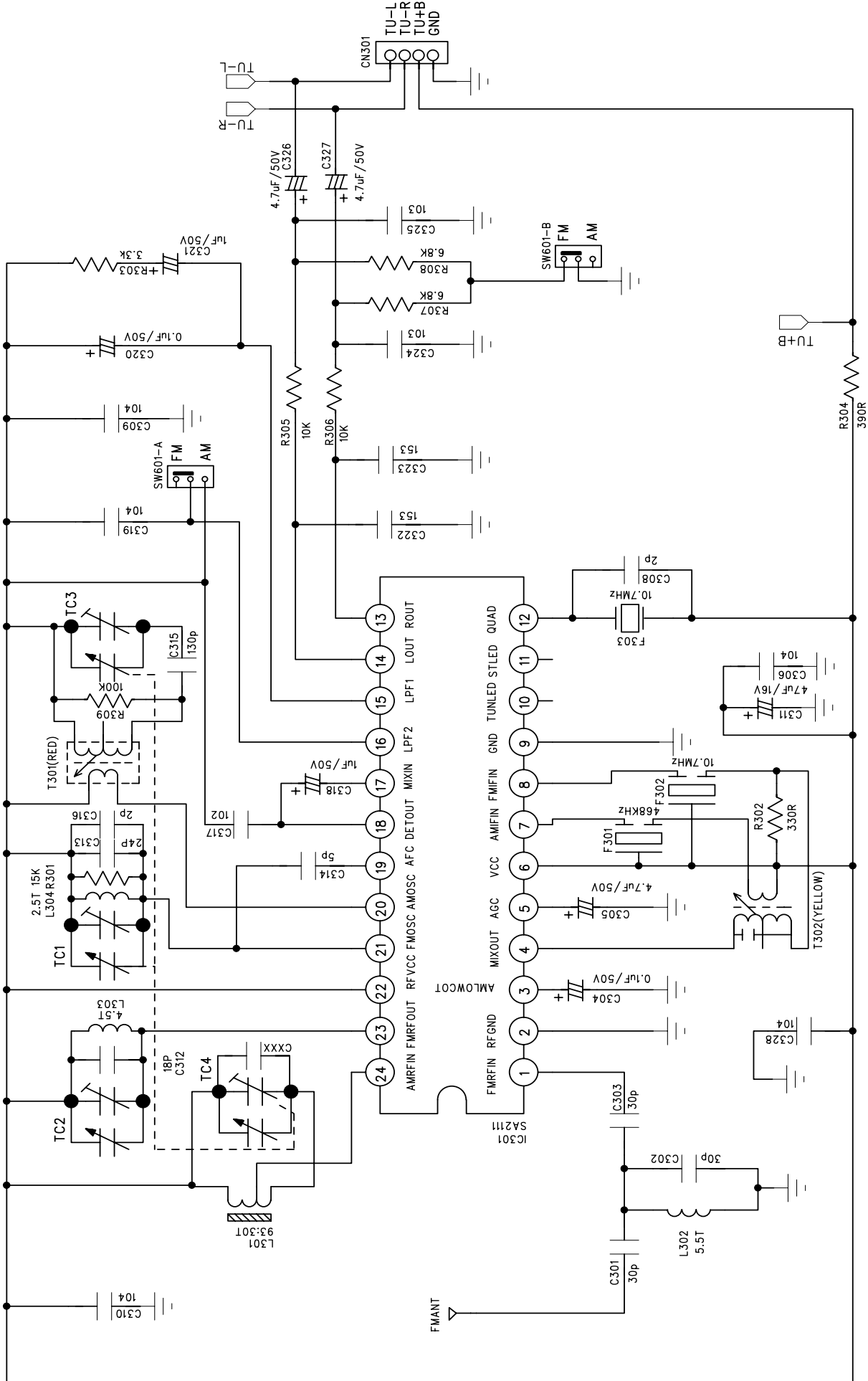
### CIRCUIT DIAGRAM - KEY & DISPLAY BOARD



### LAYOUT DIAGRAM - KEY & DISPLAY BOARD



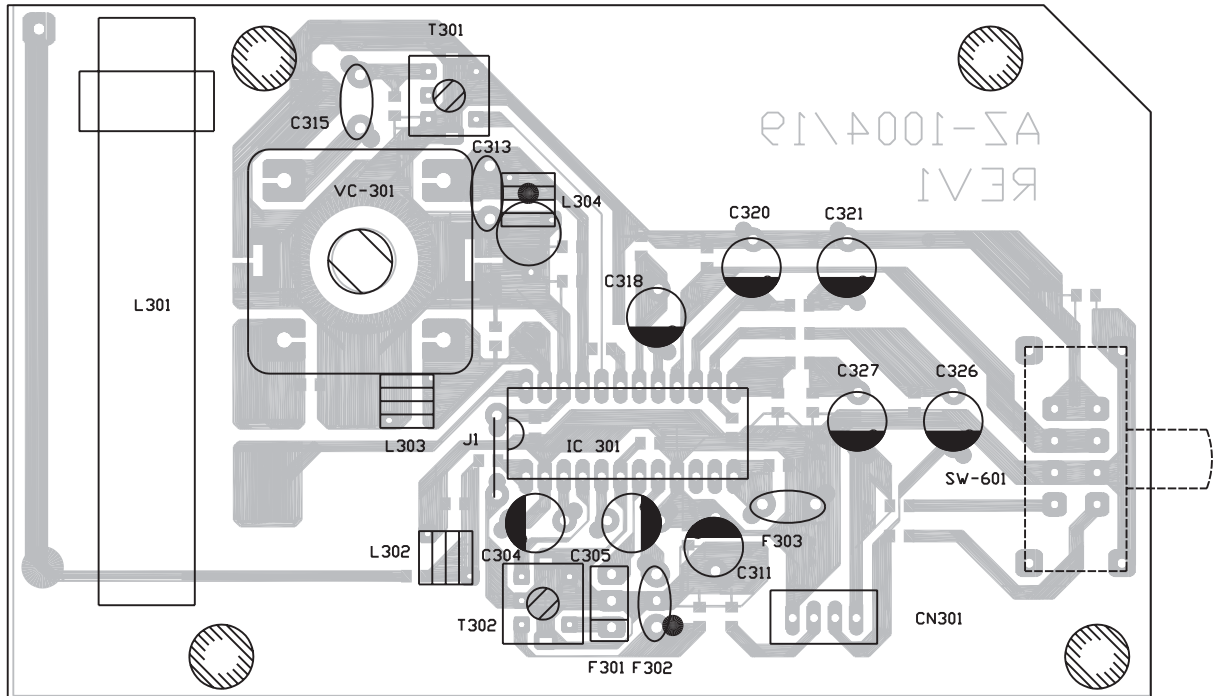
CIRCUIT DIAGRAM - RADIO BOARD



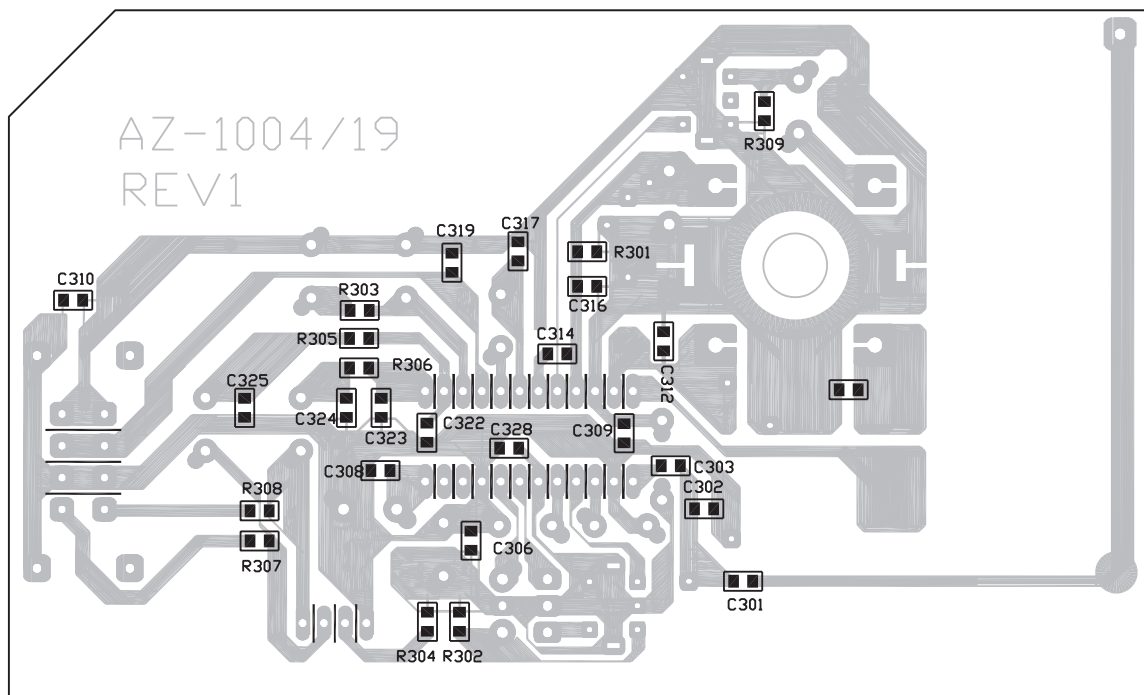
C322, C323	C324, C325
/17 /37	103 822
OTHERS	153 103

# LAYOUT DIAGRAM - RADIO BOARD

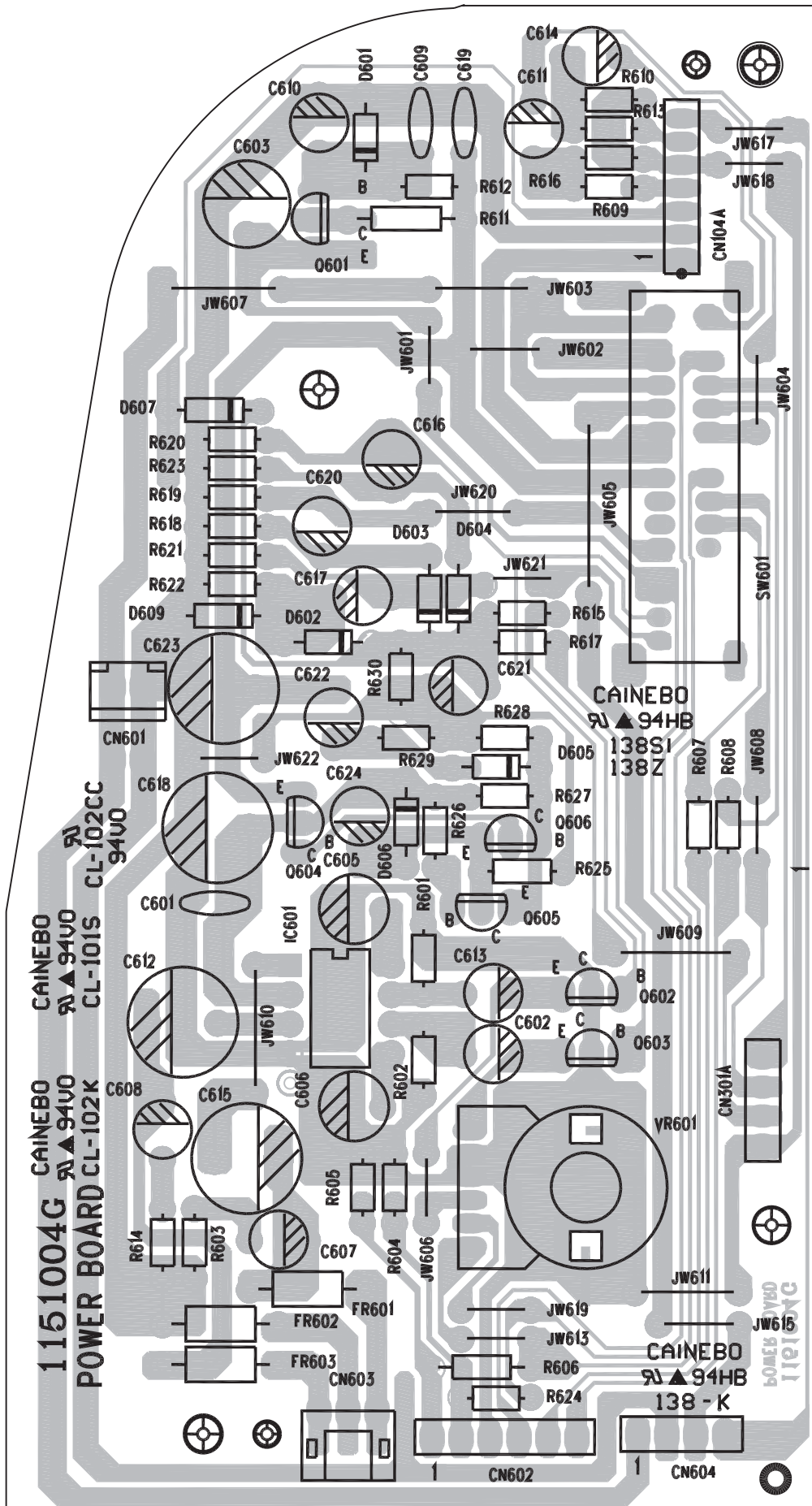
## COMPONENT SIDE



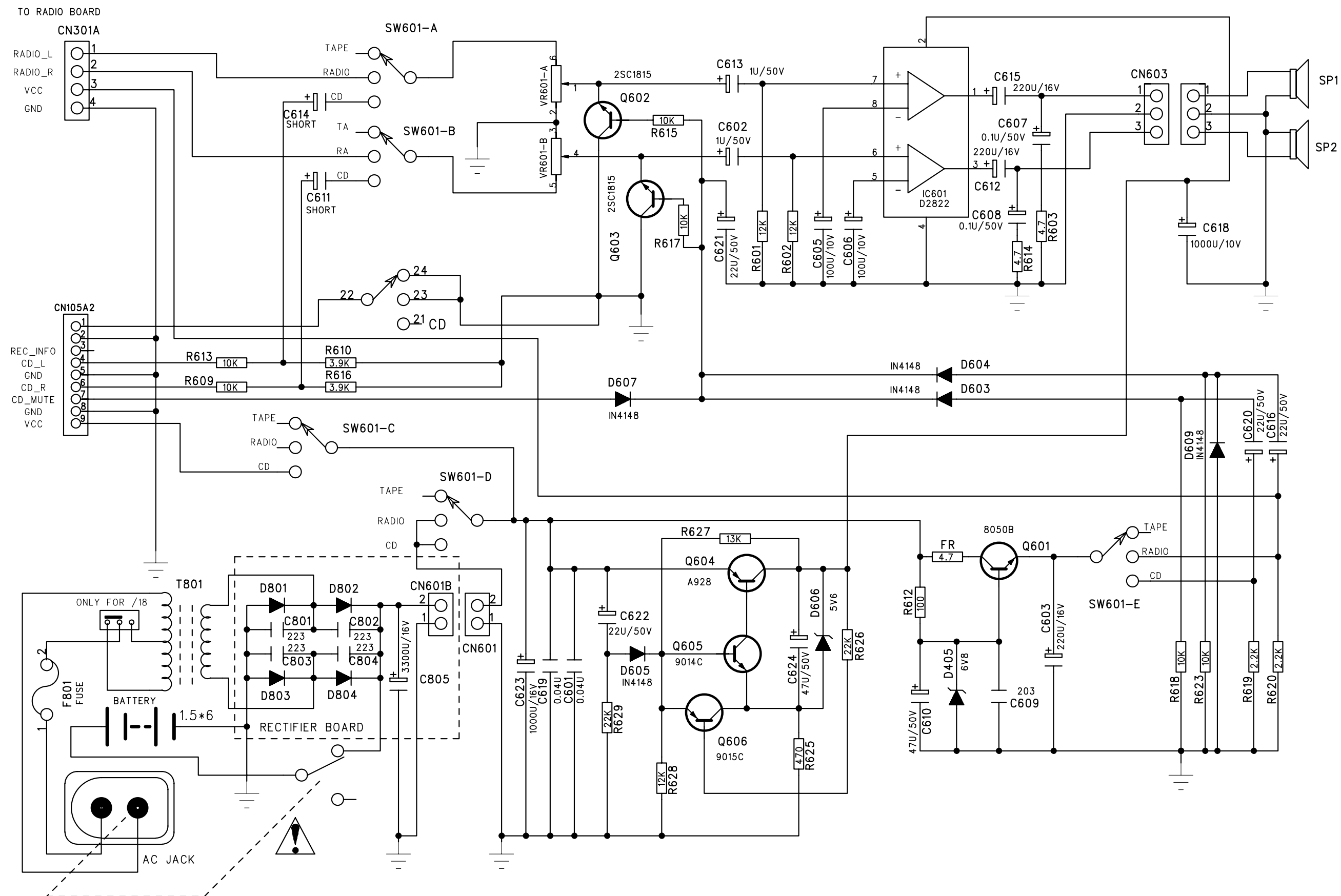
## COPPER SIDE



LAYOUT DIAGRAM - POWER AMP BOARD

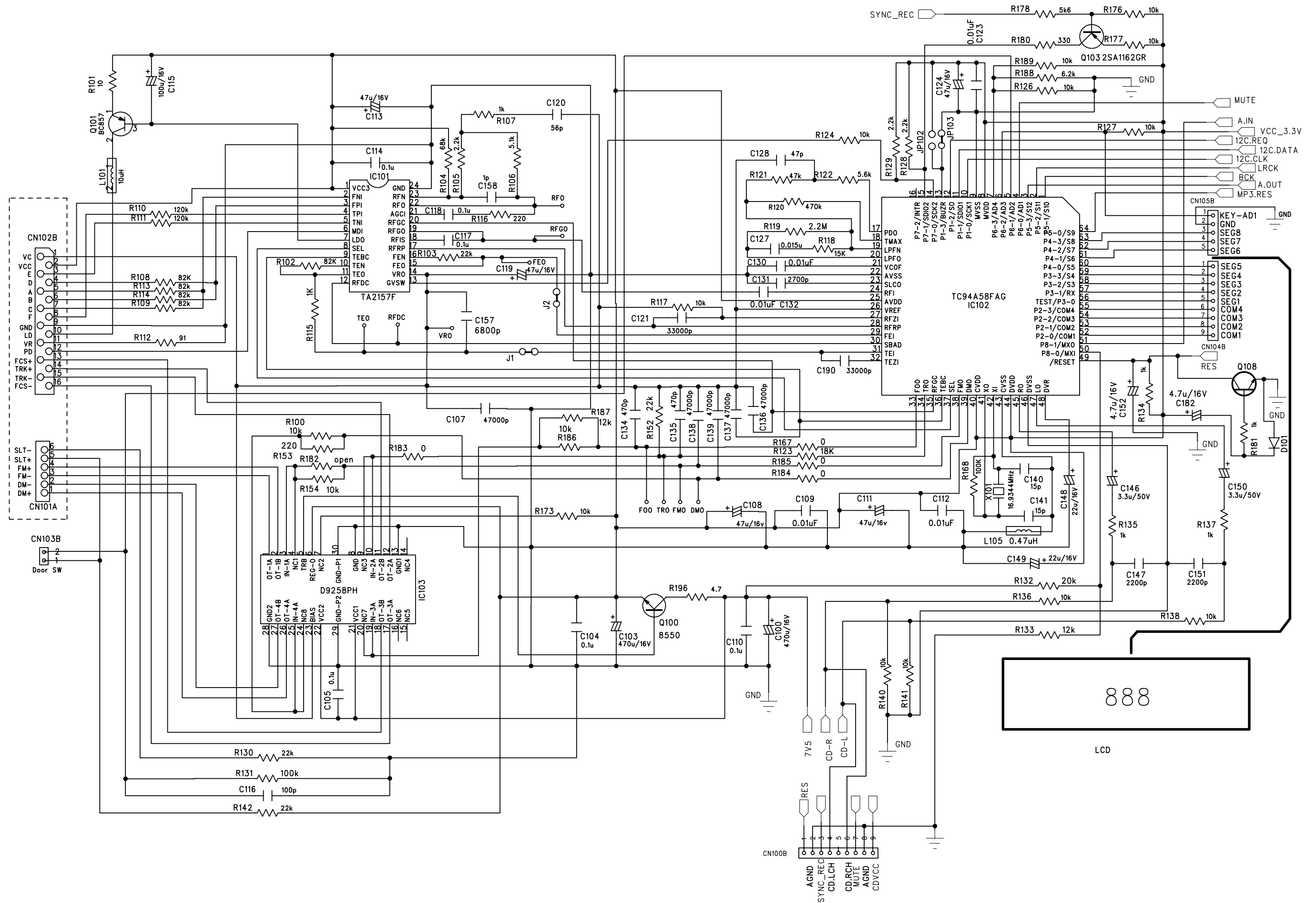


# CIRCUIT DIAGRAM - POWER AMP BOARD



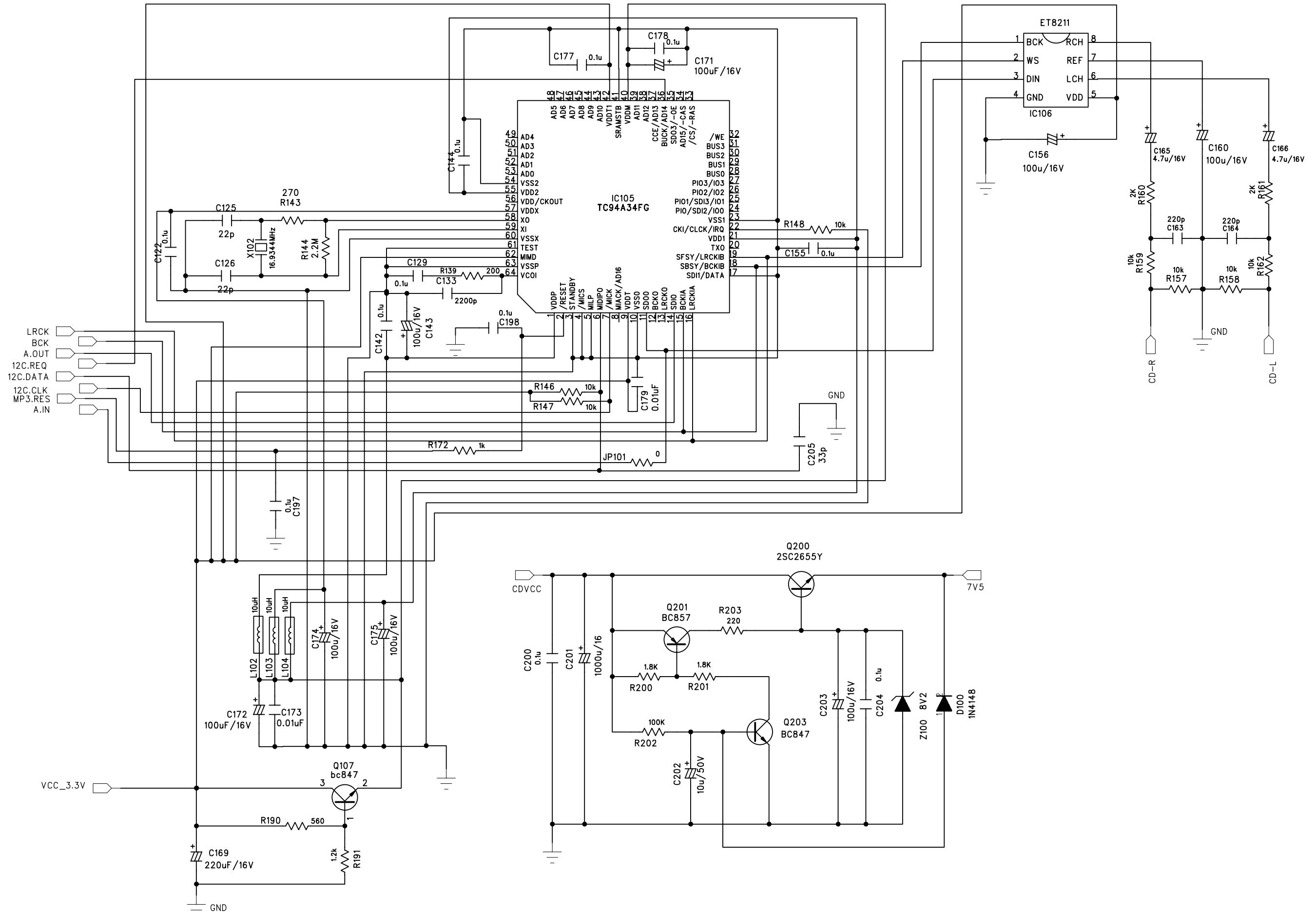


CIRCUIT DIAGRAM - CD SERVO BOARD





CIRCUIT DIAGRAM - MP3 BOARD





**Service Parts List**

Service codes	DESCRIPTION
9940 000 03389	CD DOOR
9940 000 03391	BATTERY DOOR
9940 000 03393	ROD ANTENNA 2 SECTIONS L:420MM
9940 000 03392	CD MECHANISM DA11B3VF (SANYO)
4822 278 90739	CD DOOR SWITCH 1P2T LS-323-O
9940 000 03283	ROTARY VOLUME F-122KGP B50K
9940 000 03394	77MM (3IN) SPEAKER 8 OHM 2W
9940 000 03395	TRANSFORMER 120/230V 60/50Hz (for /55)
9940 000 03397	TRANSFORMER 127V/60Hz 240V/50HZ (for /78)
9940 000 03284	POWER CORD SET 5 FEET (for /55)
9940 000 03396	POWER CORD SET 5 FEET (for /78)