

Service
Service
Service



Service Manual



CONTENTS

Block diagram 1-1

Circuit Diagram - Main board

 CD part 3-1..3-2

 Tuner part 4-1

layout diagram - Main board

 Component side view 5-1

 Copper side view 6-1

Display board

 Circuit diagram 7-1

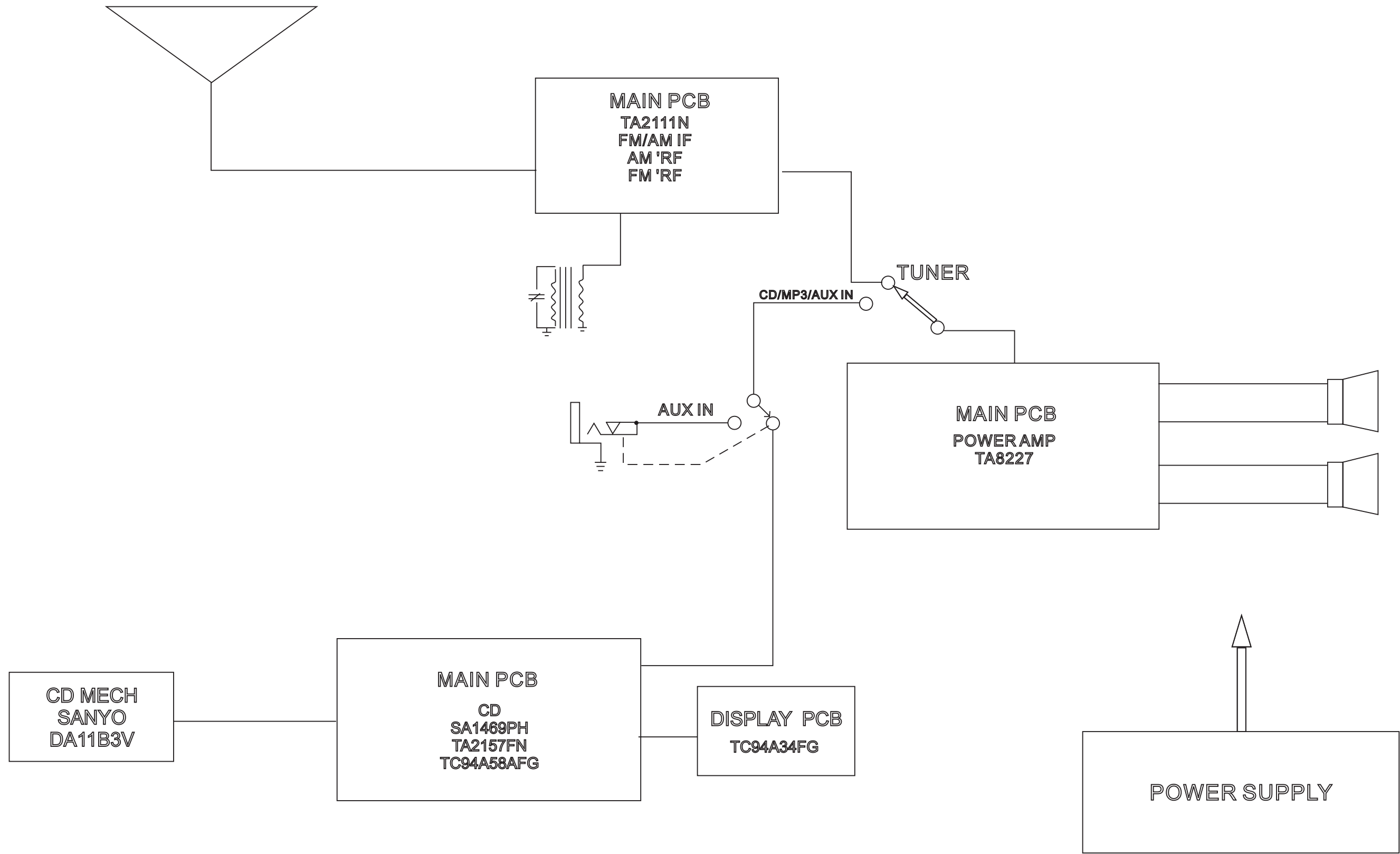
 Layout diagram 8-1

Service parts list 9-1

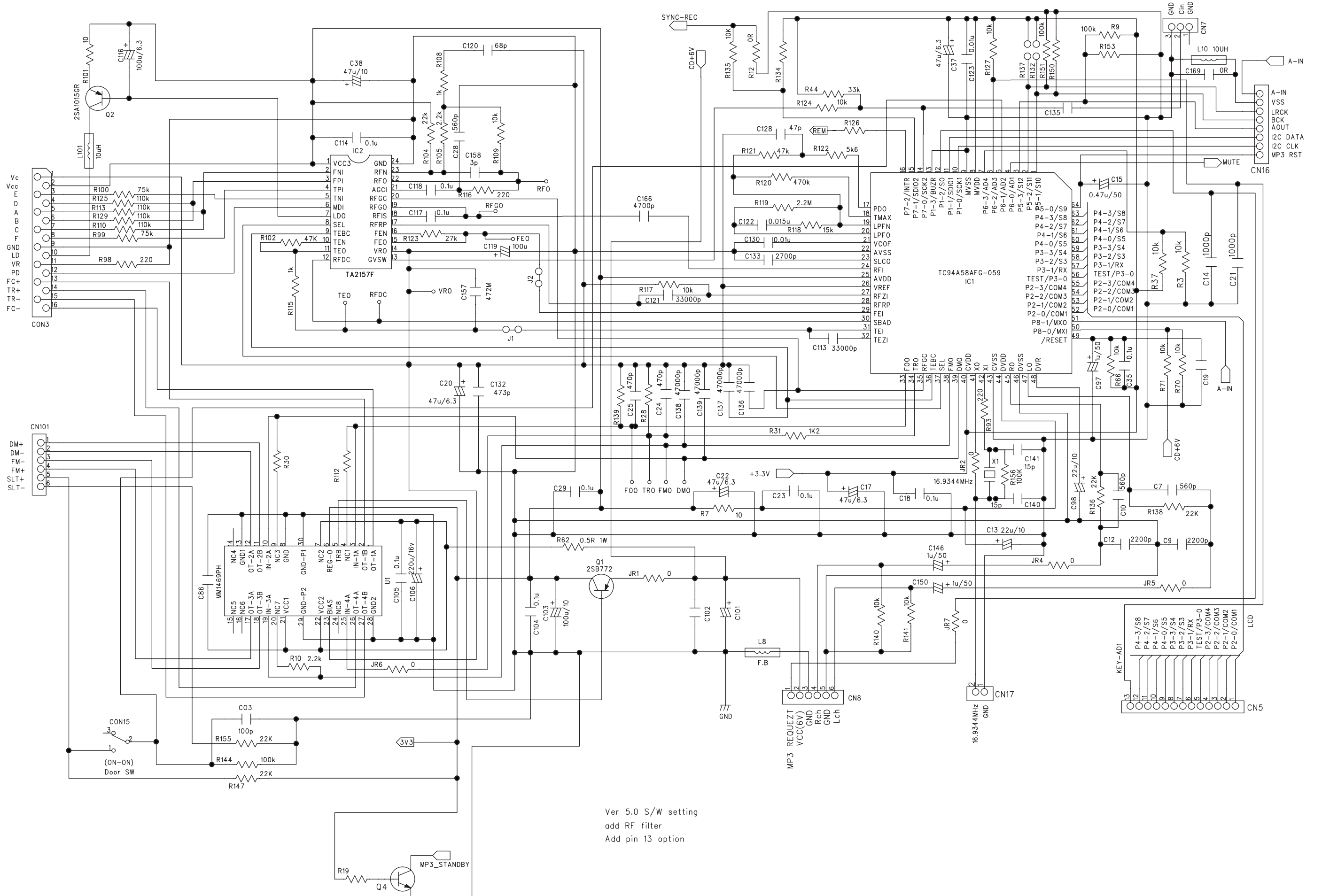
© Copyright 2008 Philips Consumer Electronics B.V. Eindhoven, The Netherlands
All rights reserved. No part of this publication may be reproduced, stored in a retrieval system or transmitted, in any form or by any means, electronic, mechanical, photocopying, or otherwise without the prior permission of Philips.



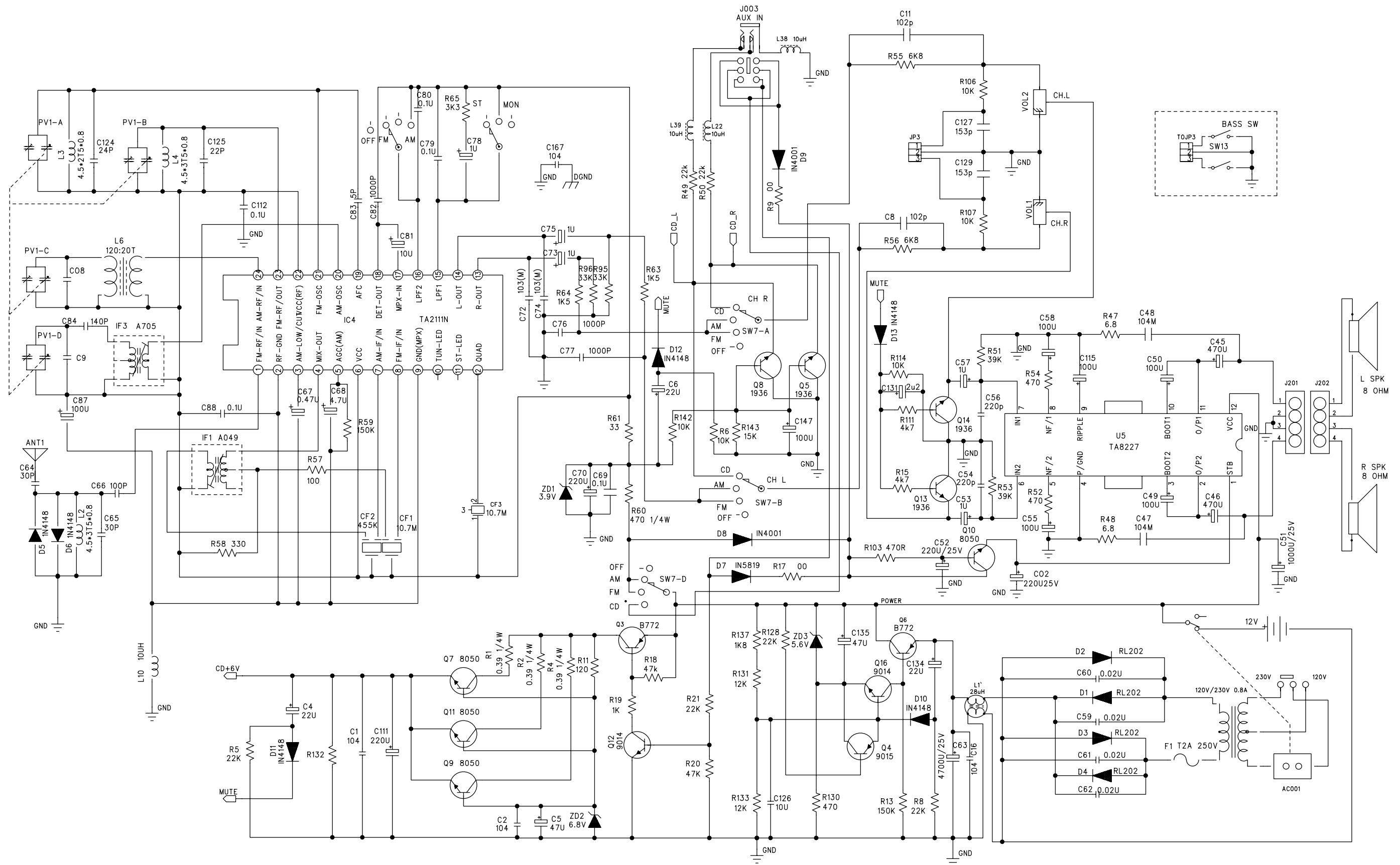
SET BLOCK DIAGRAM



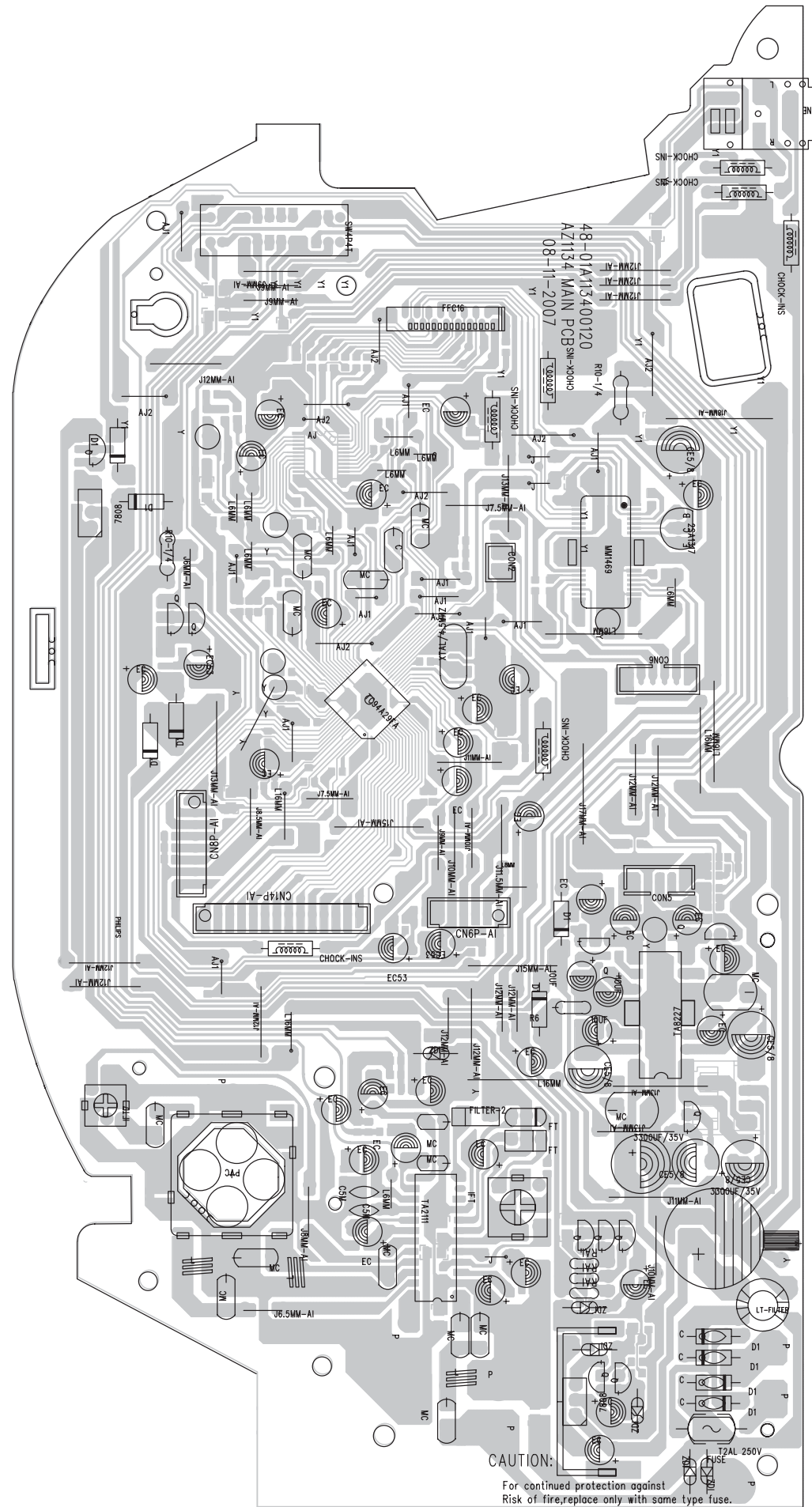
CIRCUIT DIAGRAM - MAIN BOARD CD PART 1



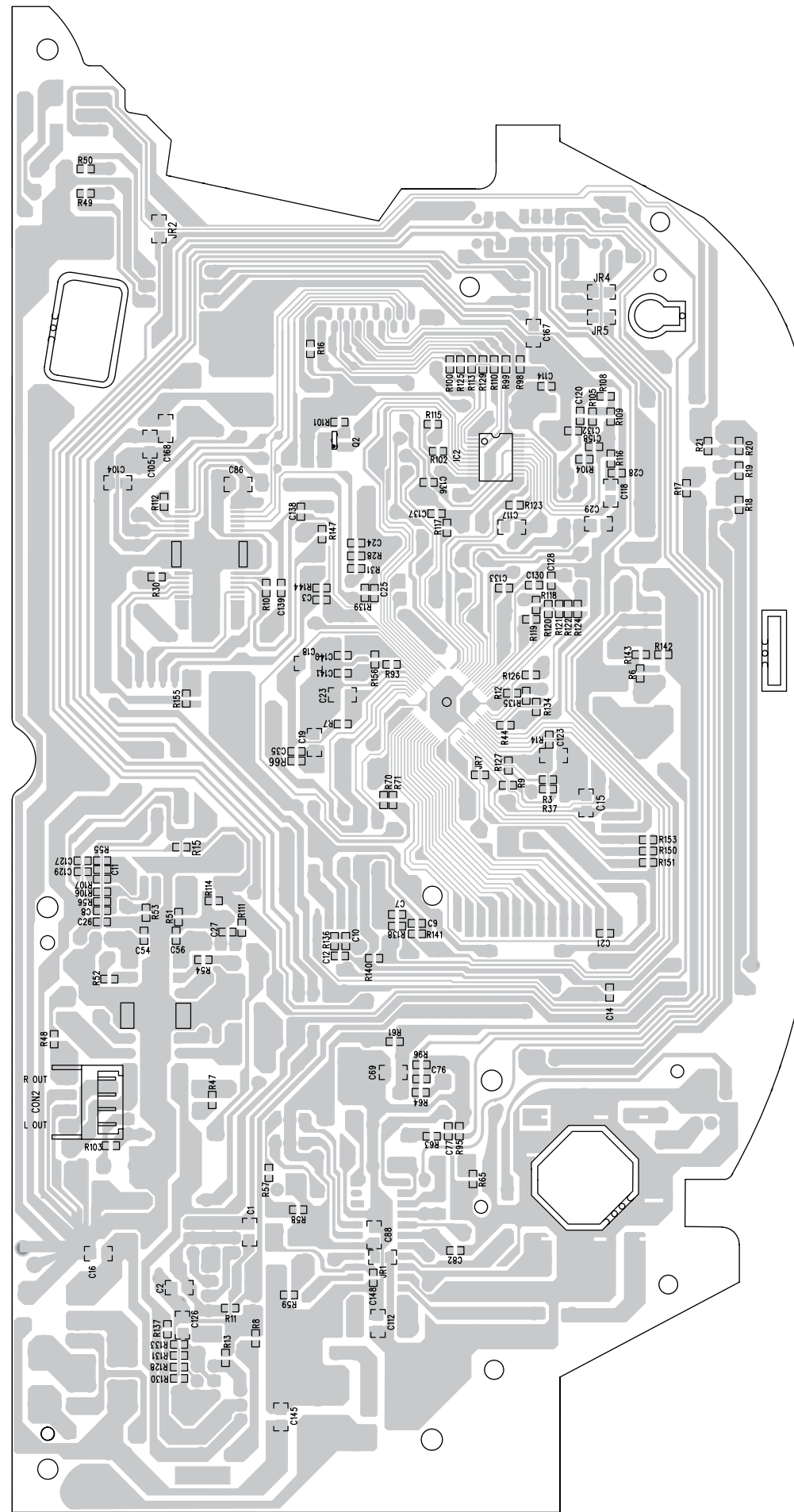
CIRCUIT DIAGRAM - MAIN BOARD TUNER PART



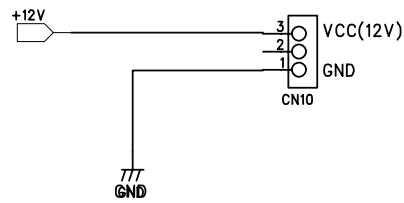
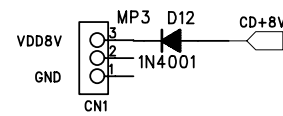
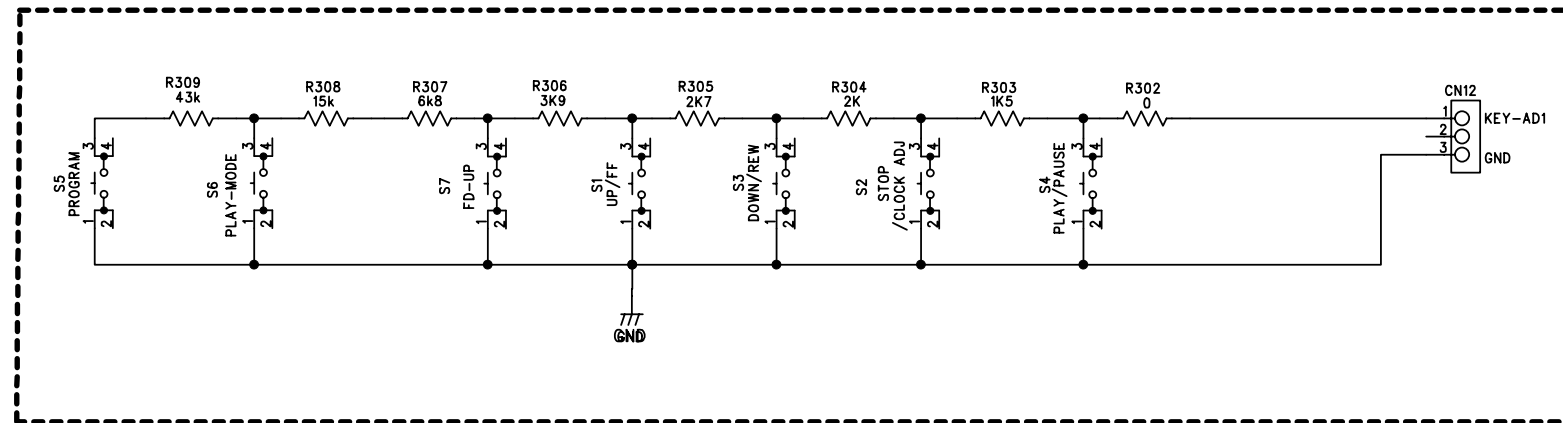
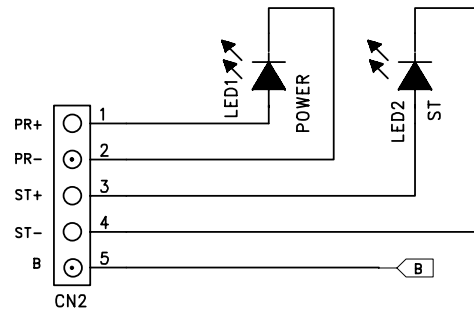
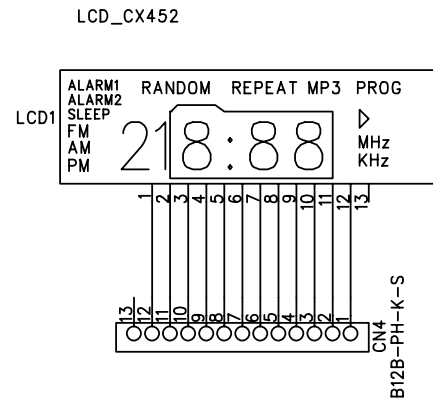
LAYOUT DIAGARM - MAIN BOARD COMPONENT SIDE VIEW



LAYOUT DIAGARM - MAIN BOARD COPPER SIDE VIEW



CIRCUIT DIAGRAM - DISPLAY BOARD



Add tuner mute

Service parts list (only for-/55)

80	994000005085	CD MECHANISM DA11B3VZ (BALL)
102	994000001687	ROD ANTENNA 158-600MM
114	996500039360	RUBBER FOOT(BLK)
115	996510000860	SHOCK ABSORBER (658 TA 30C)
116	996510000861	SHOCK ABSORBER (658 TB 40C)
127	996500042091	CD DOOR SPRING
173	996510013930	BATTERY DOOR
179	996510013931	CD DOOR AZ1134
183	996510002912	DAMPER GEAR
184	996510002913	DAMPER GEAR HOLDER
187	996510002914	HANDLE FIXER L
188	996510002915	HANDLE FIXER R
189	996510013932	HANDLE
J010	994000001478	AC PLUG ADAPTOR
J011	996500037714	AC CORD SET VDE/BRAZIL APP 1.8
S001	994000003883	SPEAKER 3" 2W 8OHM
T001	994000005083	H/TRANSFORMER EI48 117/234V

Service parts list (only for-/77)

80	994000005085	CD MECHANISM DA11B3VZ (BALL)
102	994000001687	ROD ANTENNA 158-600MM
103	996510013930	BATTERY DOOR
104	996510013931	CD DOOR
105	996510013932	HANDLE
180	996500039787	LASER COVER (FOR SANYO CD)
183	996510002912	DAMPER GEAR
184	996510002913	DAMPER GEAR HOLDER
187	996510002914	HANDLE FIXER L
188	996510002915	HANDLE FIXER R
J009	994000001706	AC CORD SET IRAM APP 6FT
J010	994000001478	AC PLUG ADAPTOR
S001	994000003883	SPEAKER 3" 2W 8OHM
T001	994000005083	H/TRANSFORMER EI48 117/234V

Note: Only these parts mentioned in the list are normal service parts.