

Service
Service
Service



Service Manual

TABLE OF CONTENTS

	Page
Set Block Diagram.....	2
CD & MP3 Board.....	3
Power Board.....	4
Rectifier Board.....	5
Key Board.....	6
Tuner & AUX Board.....	7
Set Mechanical Exploded View & Parts List.....	8



© Copyright 2009 Philips Consumer Electronics B.V. Eindhoven, The Netherlands
All rights reserved. No part of this publication may be reproduced, stored in a retrieval system or transmitted, in any form or by any means, electronic, mechanical, photocopying, or otherwise without the prior permission of Philips.



Published by SL 0907 Service Audio Printed in The Netherlands Subject to modification

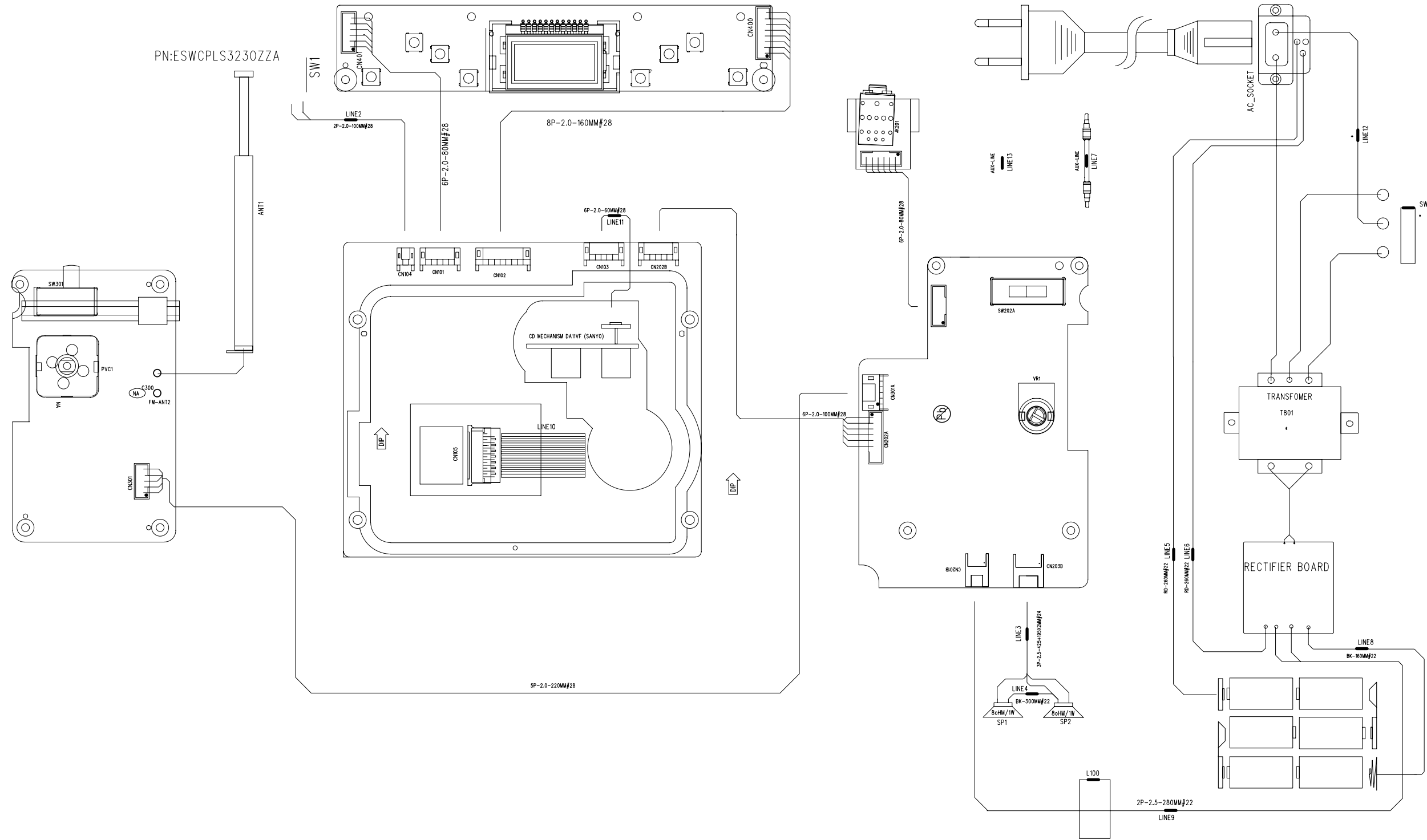
GB 3141 785 33460

Version 1.0

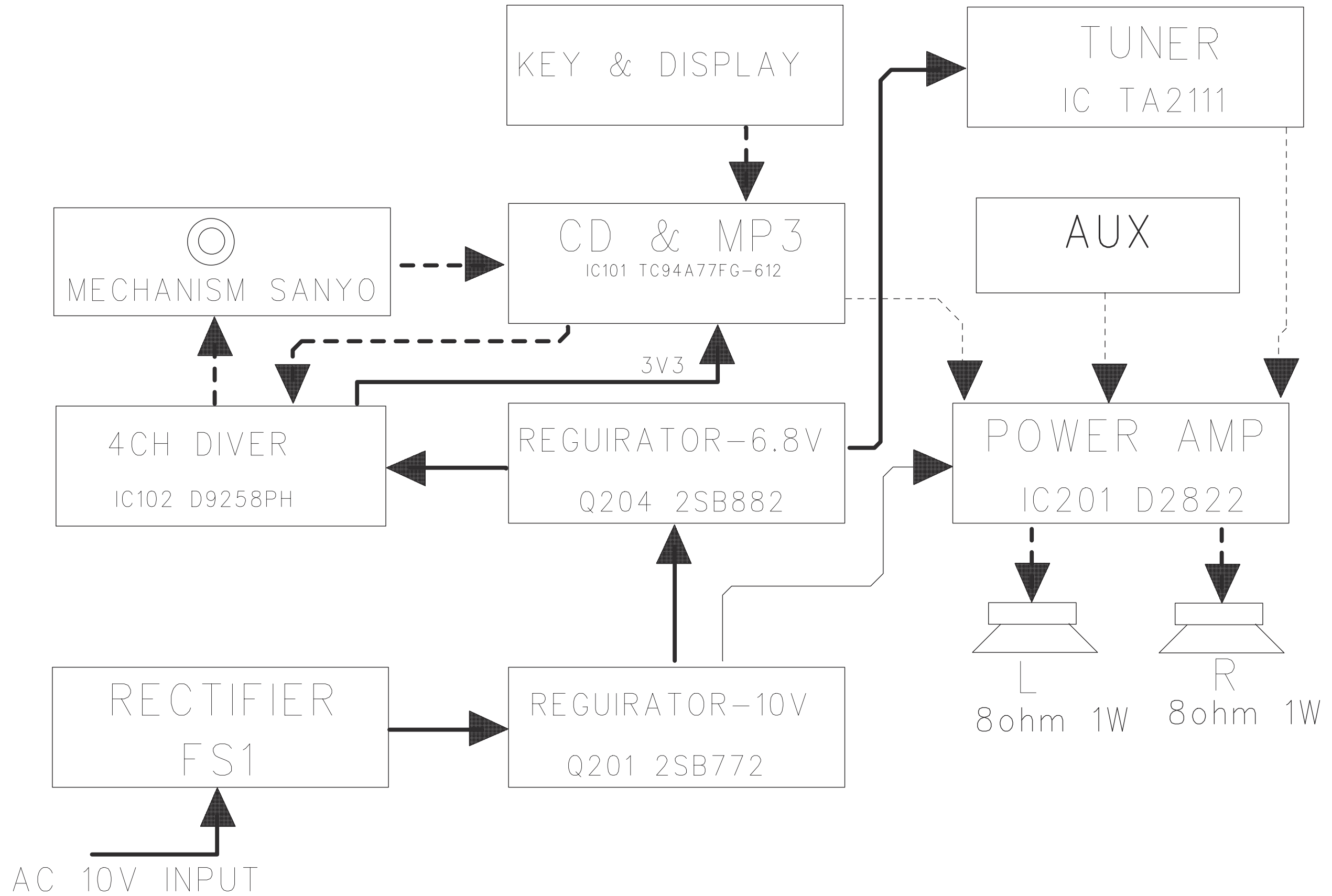


PHILIPS

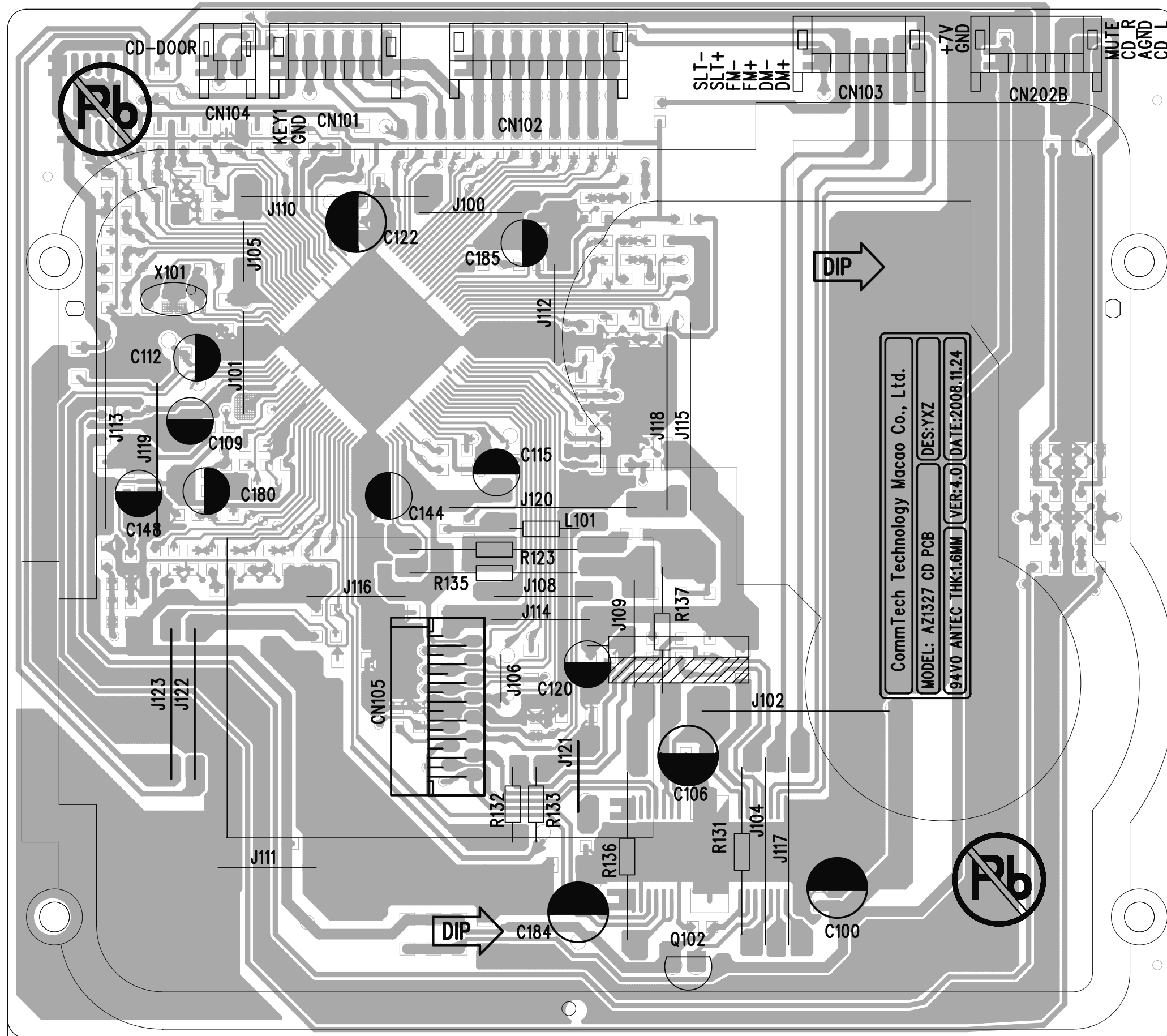
SET WIRING DIAGRAM



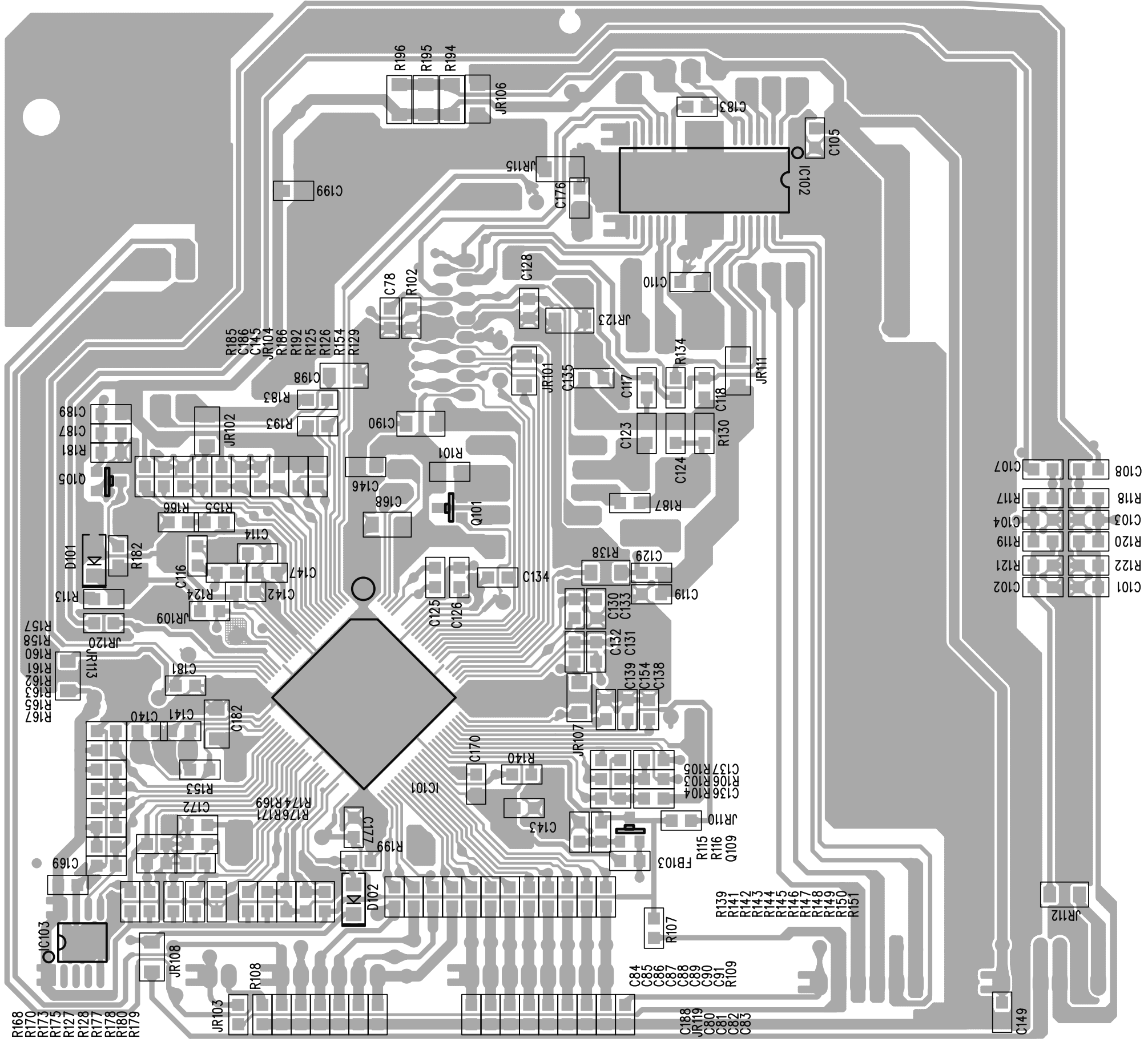
SET BLOCK DIAGRAM



CD & MP3 BOARD - LAYOUT DIAGRAM TOP VIEW



CD & MP3 BOARD - LAYOUT DIAGRAM BOTTOM VIEW



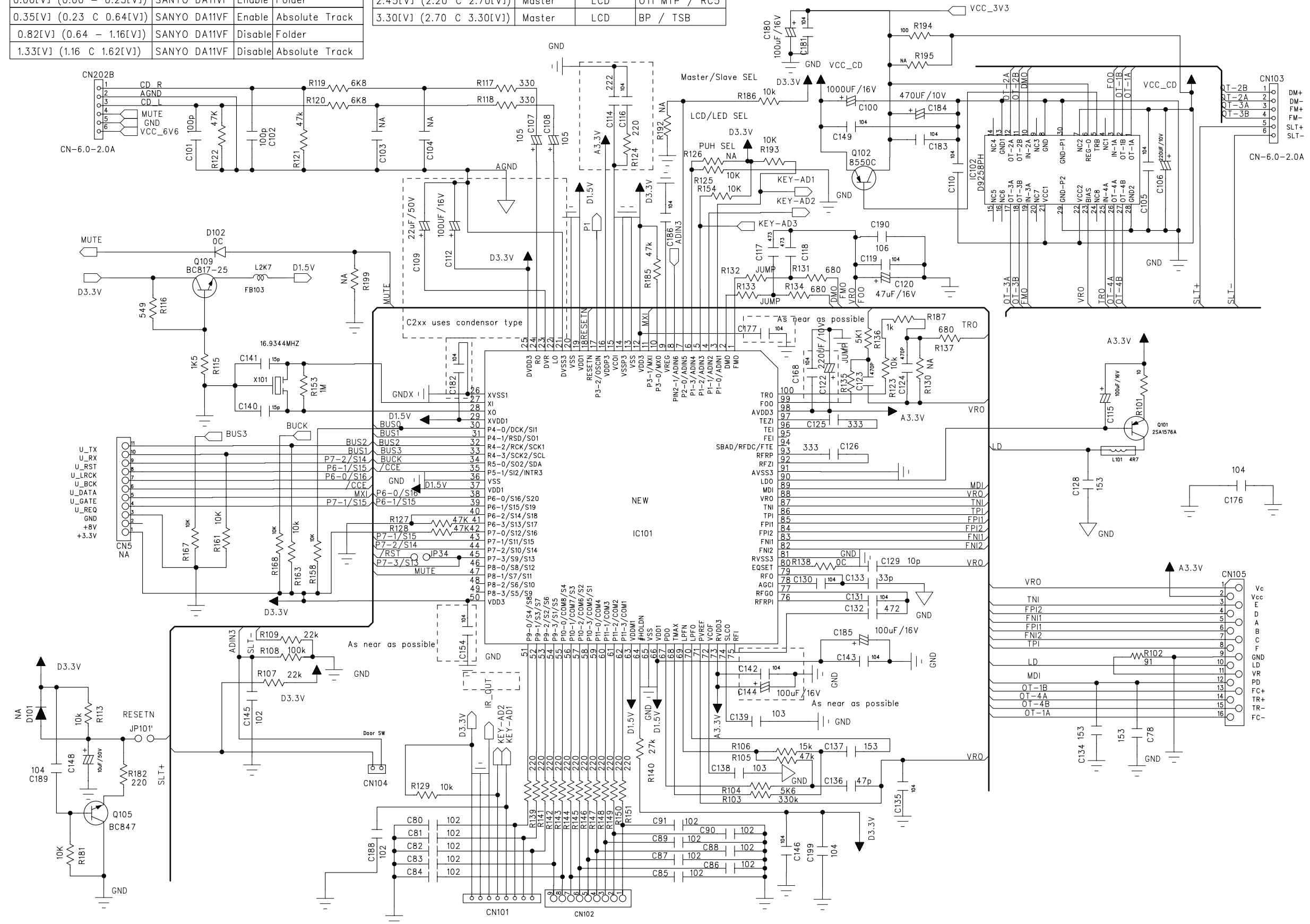
CD & MP3 BOARD - CIRCUIT DIAGRAM

Note 1 (P1-3: 6pin)

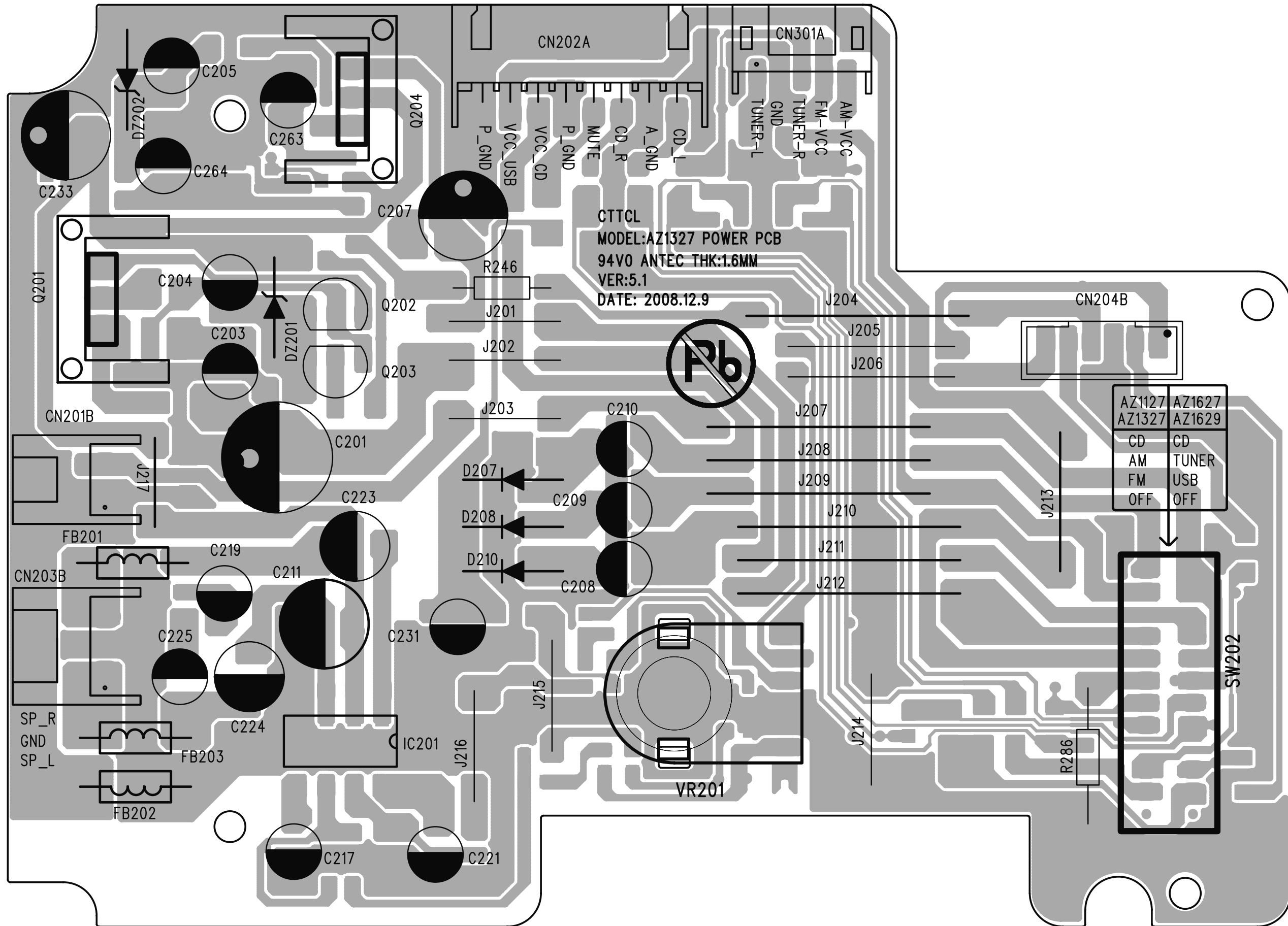
A/D value (MVDD=3.3V)	PUH	WMA	Display
0.00[V] (0.00 - 0.23[V])	SANYO DA11VF	Enable	Folder
0.35[V] (0.23 C 0.64[V])	SANYO DA11VF	Enable	Absolute Track
0.82[V] (0.64 - 1.16[V])	SANYO DA11VF	Disable	Folder
1.33[V] (1.16 C 1.62[V])	SANYO DA11VF	Disable	Absolute Track

Notes 2 (P2-0: 7pin)

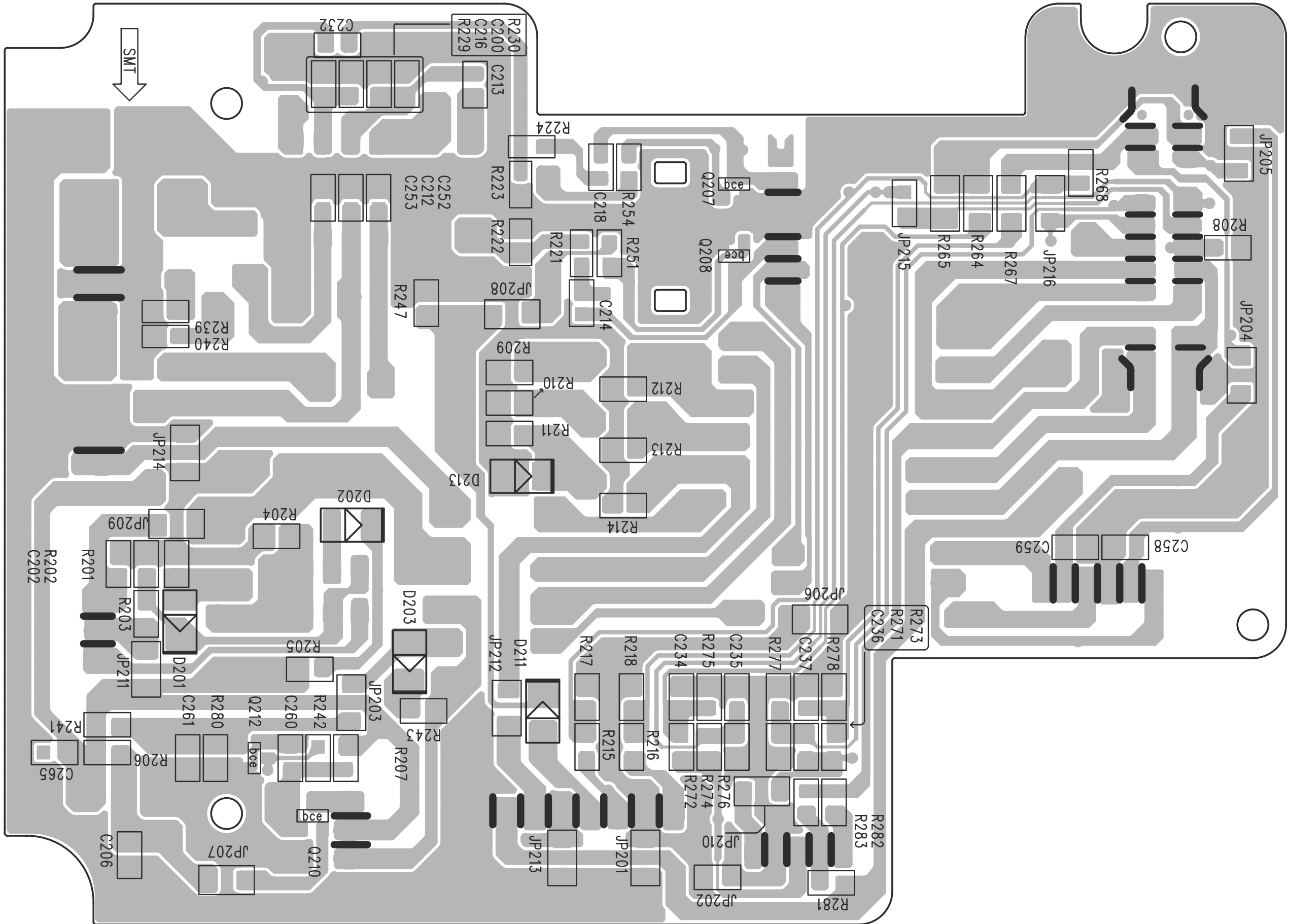
A/D value (MVDD=3.3V)	MODE	DISPLAY	USB/REMOTE
2.45[V] (2.20 C 2.70[V])	Master	LCD	OTI MTP / RC5
3.30[V] (2.70 C 3.30[V])	Master	LCD	BP / TSB



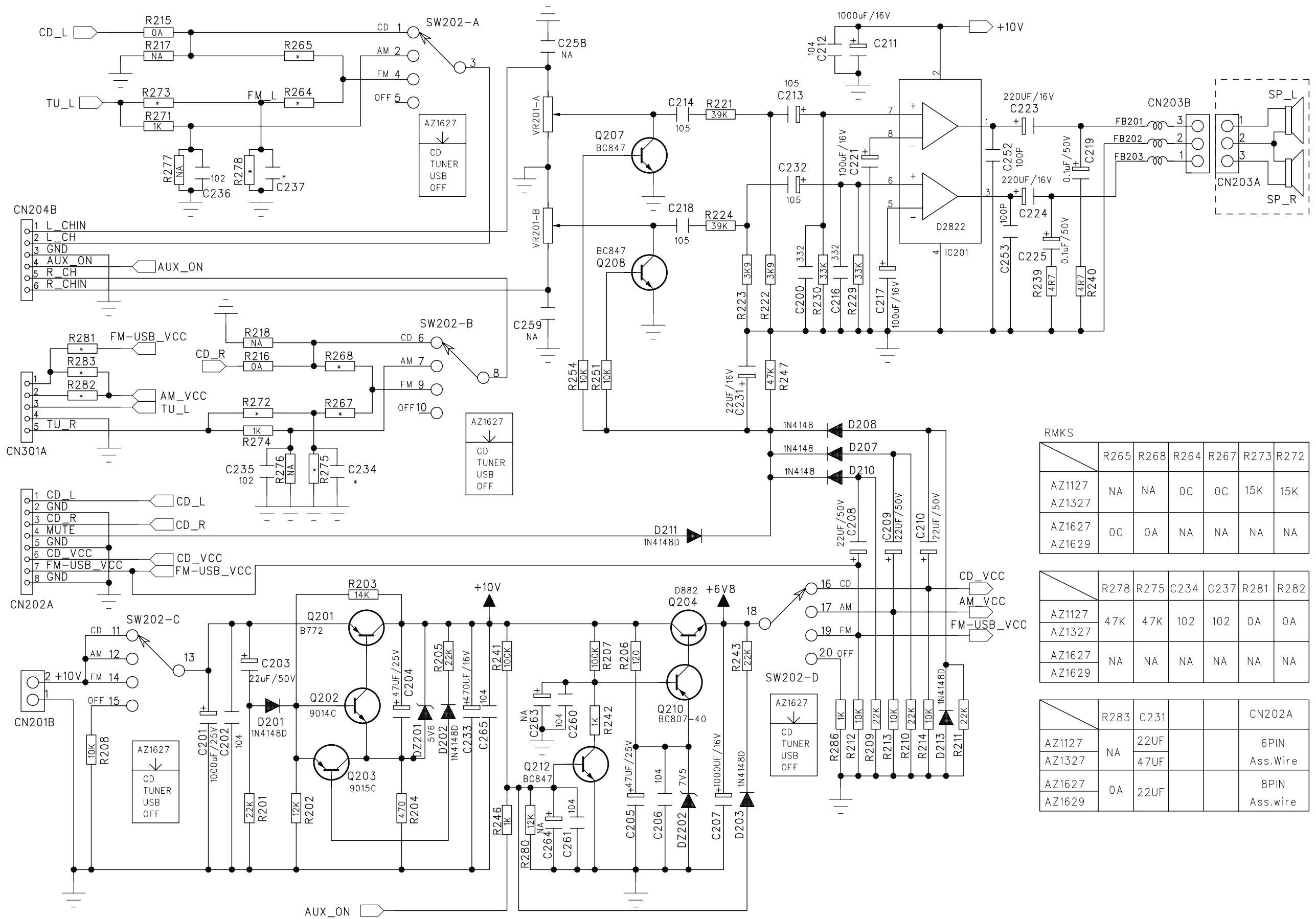
POWER BOARD - LAYOUT DIAGRAM TOP VIEW



POWER BOARD - LAYOUT DIAGRAM
BOTTOM VIEW



POWER BOARD - CIRCUIT DIAGRAM



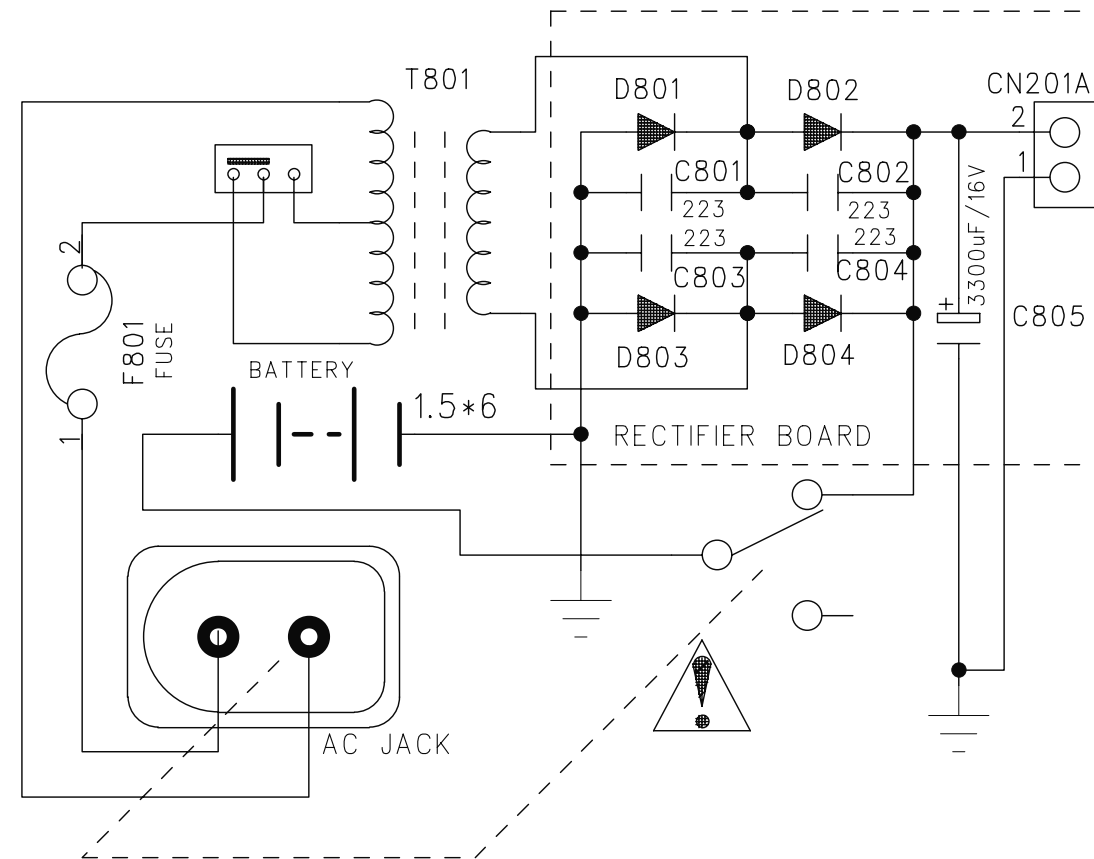
RMKS

	R265	R268	R264	R267	R273	R272
AZ1127	NA	NA	OC	OC	15K	15K
AZ1327	NA	NA	OC	OC	15K	15K
AZ1627	OC	OA	NA	NA	NA	NA
AZ1629	OC	OA	NA	NA	NA	NA

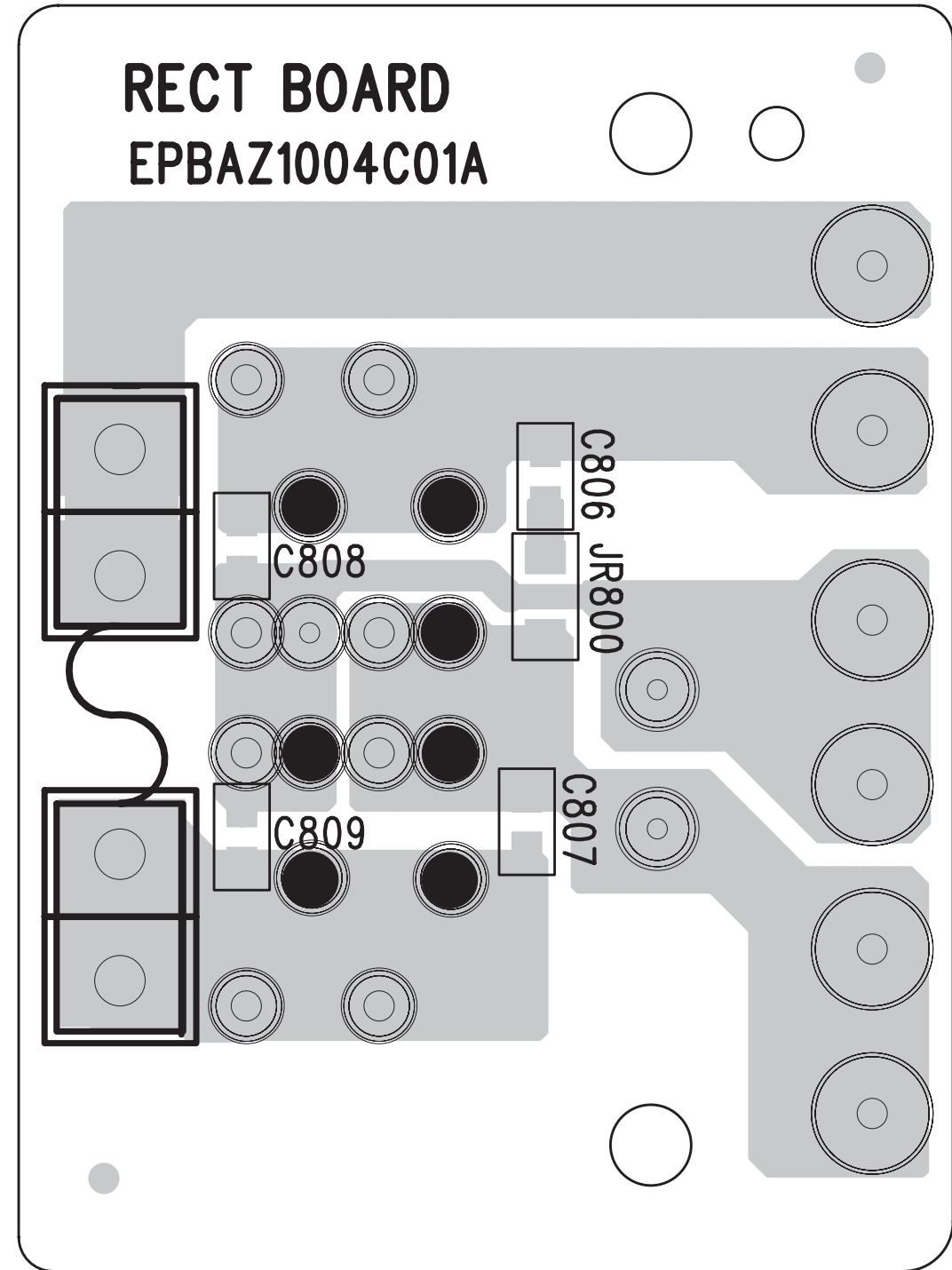
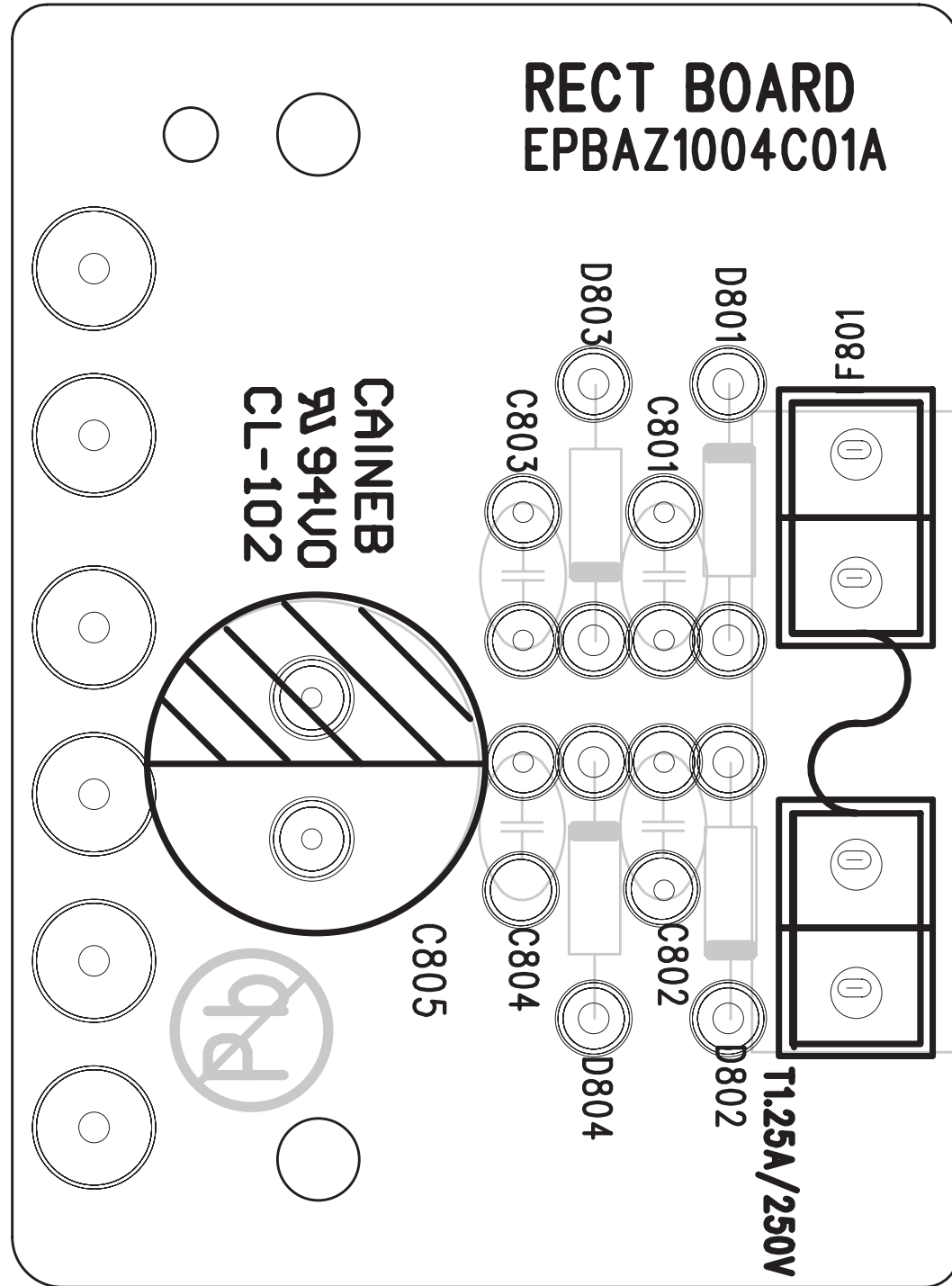
	R278	R275	C234	C237	R281	R282
AZ1127	47K	47K	102	102	0A	0A
AZ1327	47K	47K	102	102	0A	0A
AZ1627	NA	NA	NA	NA	NA	NA
AZ1629	NA	NA	NA	NA	NA	NA

	R283	C231		CN202A
AZ1127	NA	22UF		6PIN
AZ1327	NA	47UF		Ass.Wire
AZ1627	0A	22UF		8PIN
AZ1629	0A	22UF		Ass.wire

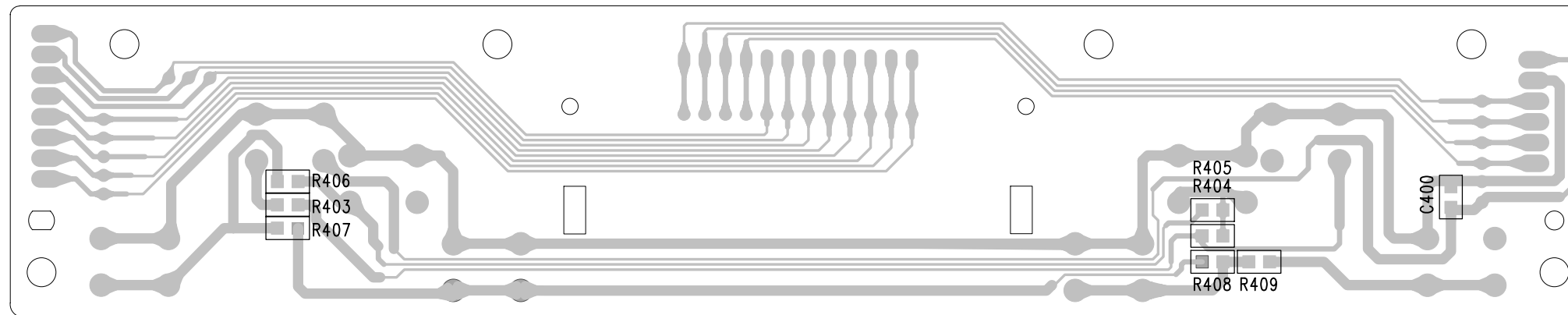
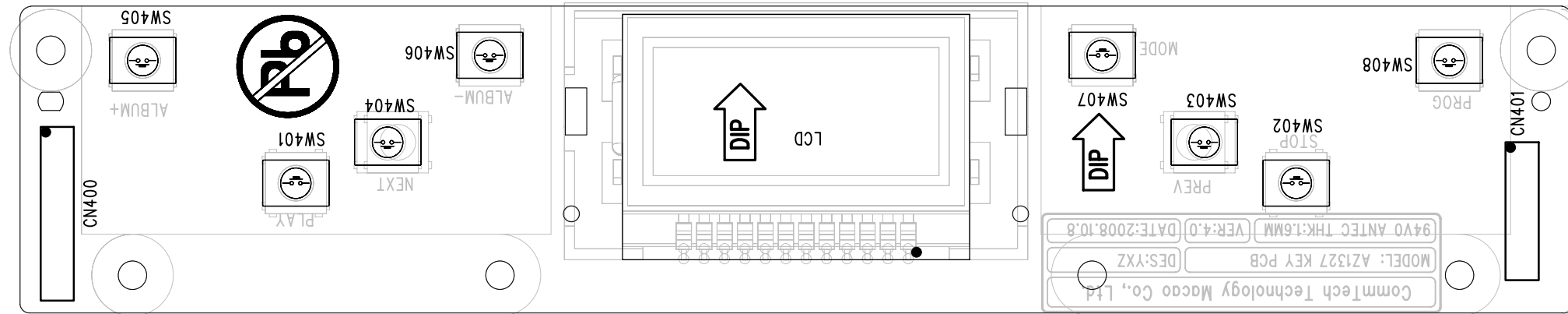
RECTIFIER BOARD - CIRCUIT DIAGRAM



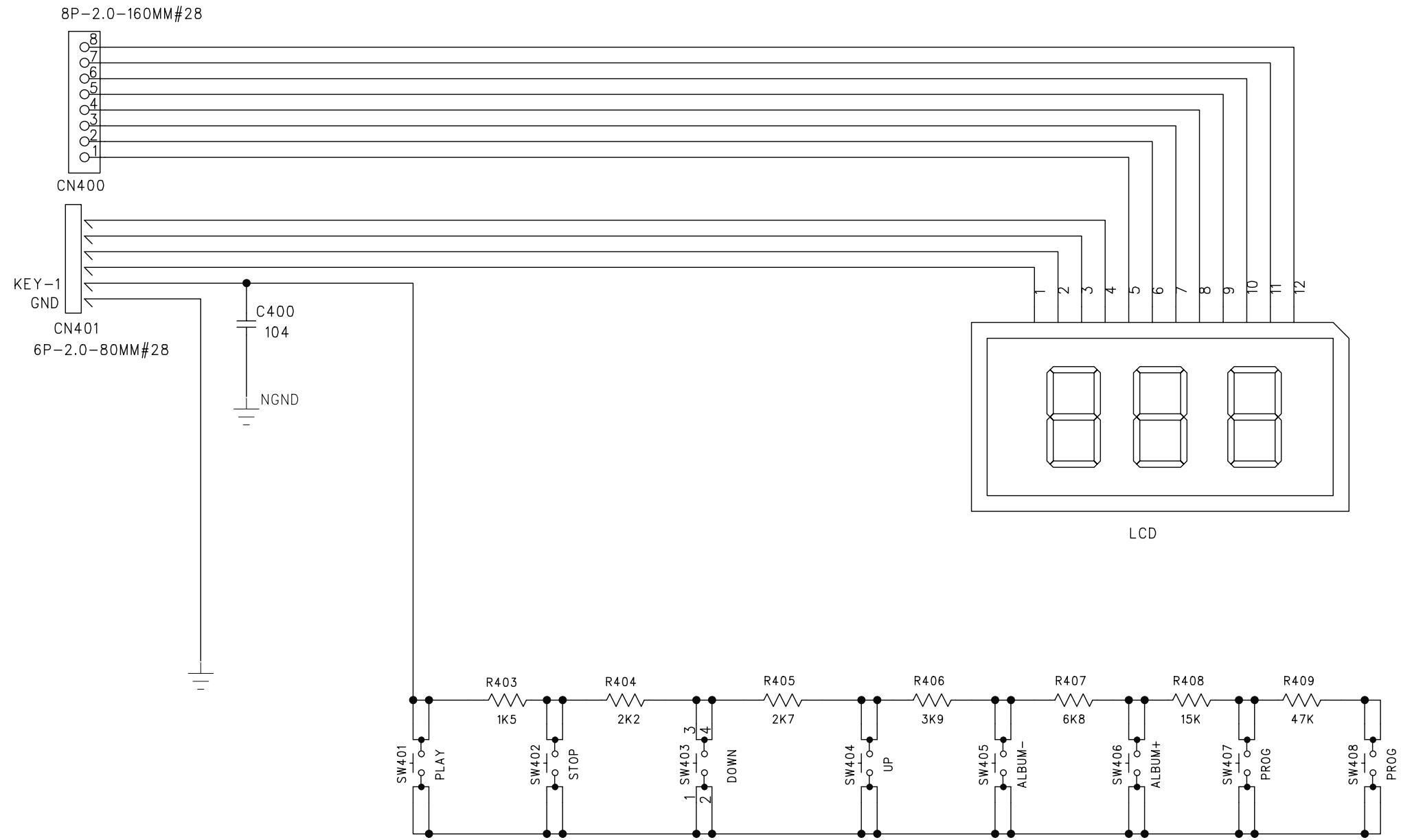
RECTIFIER BOARD - LAYOUT DIAGRAM



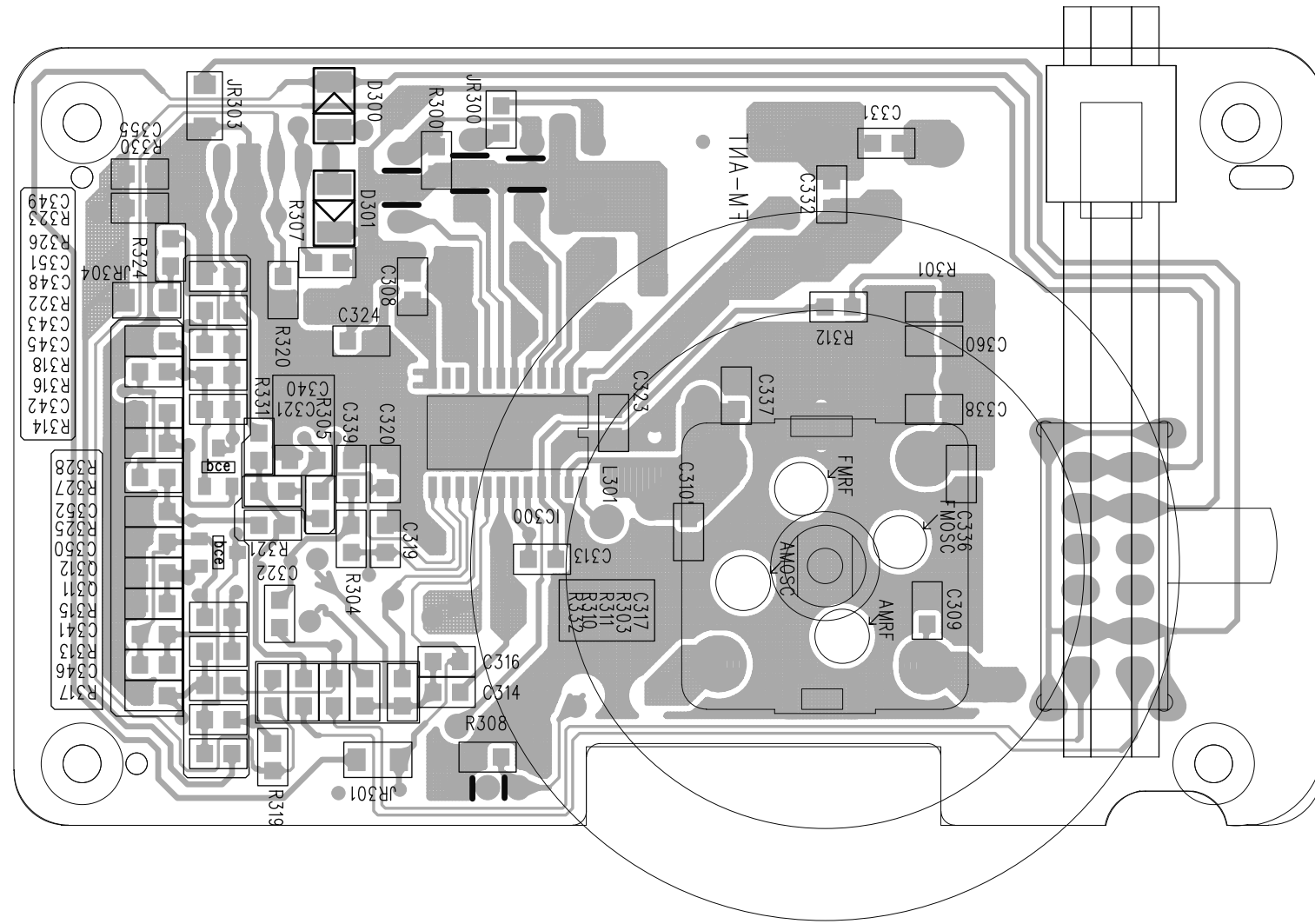
KEY BOARD - LAYOUT DIAGRAM



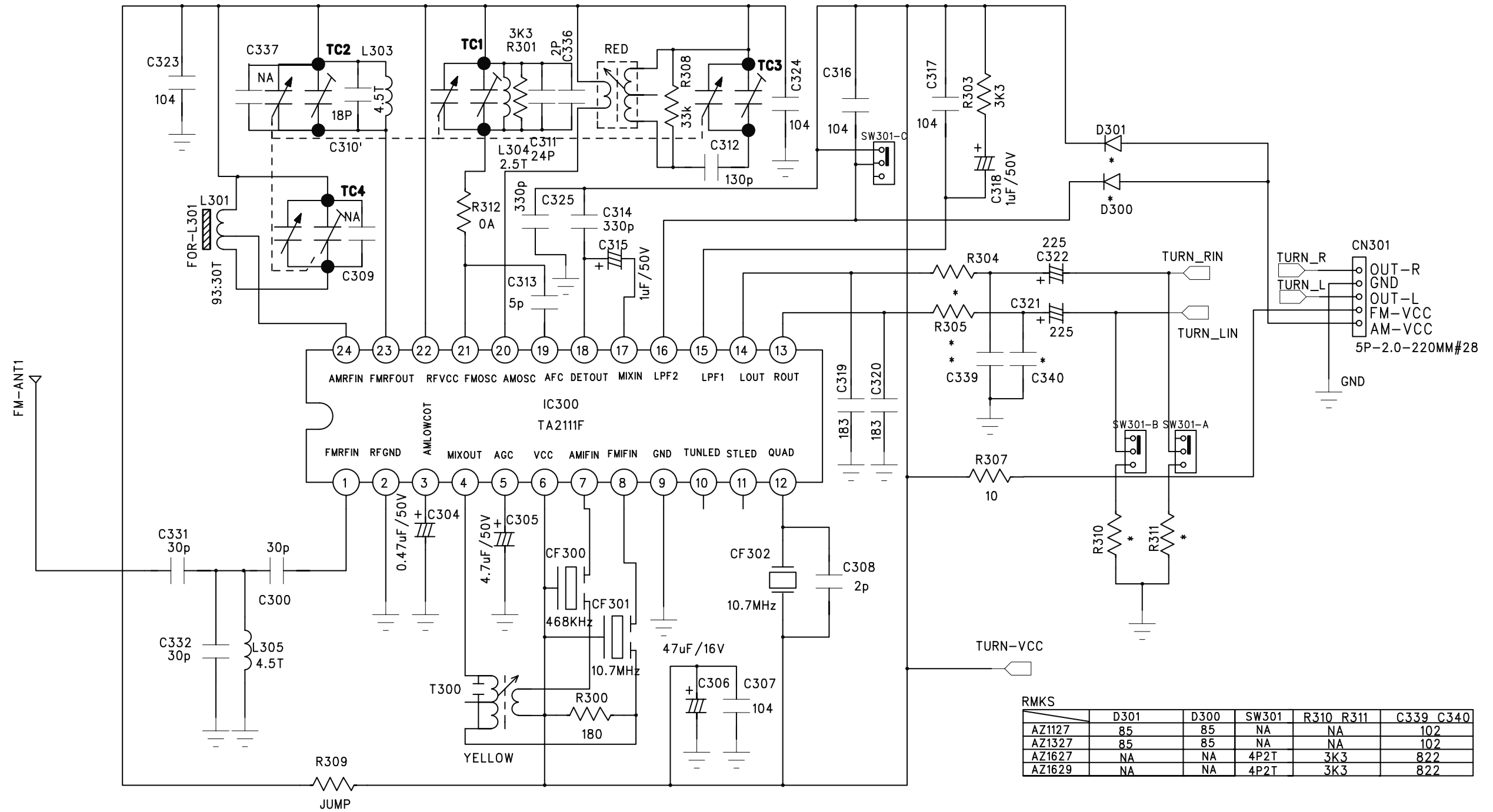
KEY BOARD - CIRCUIT DIAGRAM



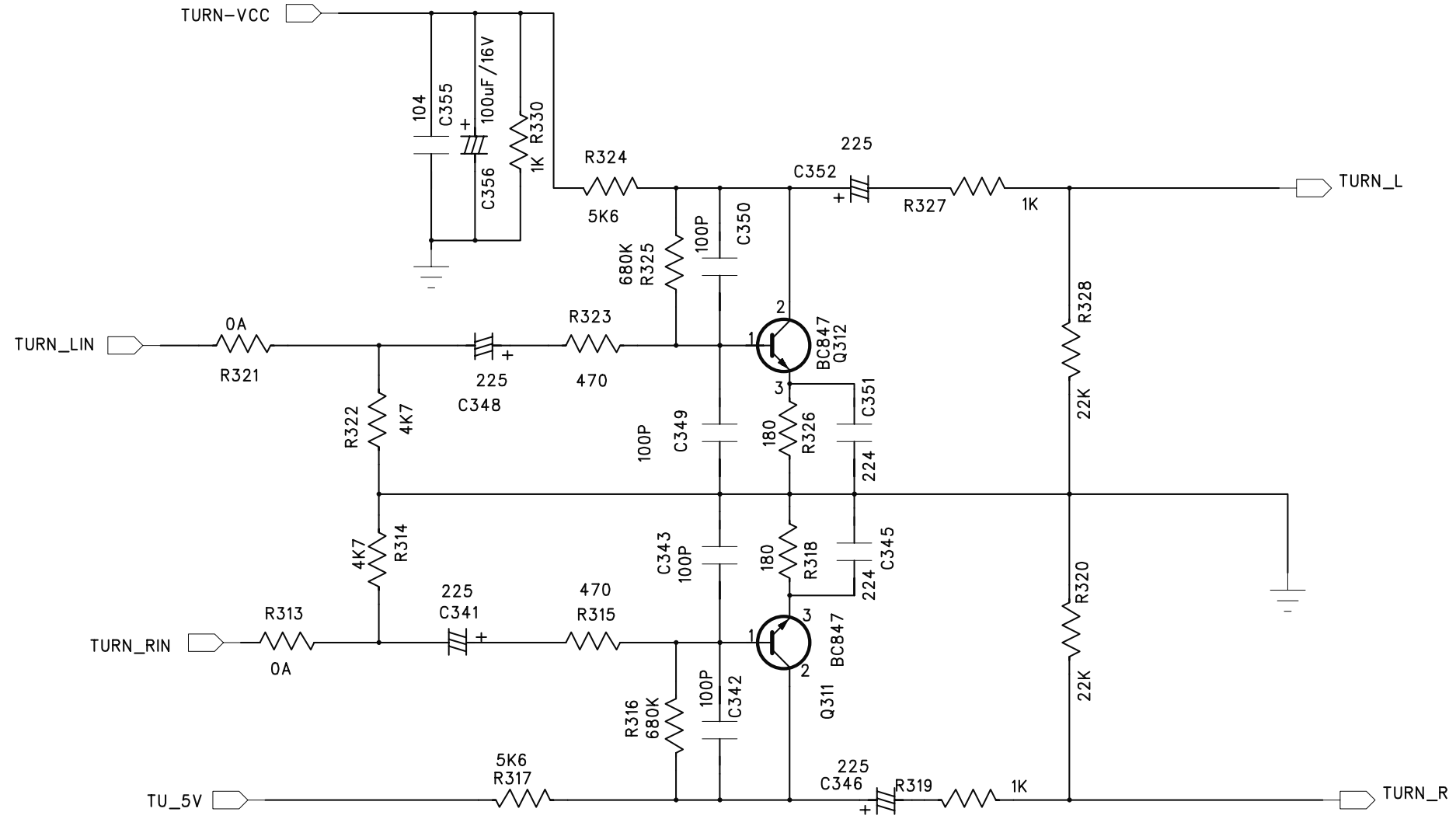
TUNER BOARD - LAYOUT DIAGRAM



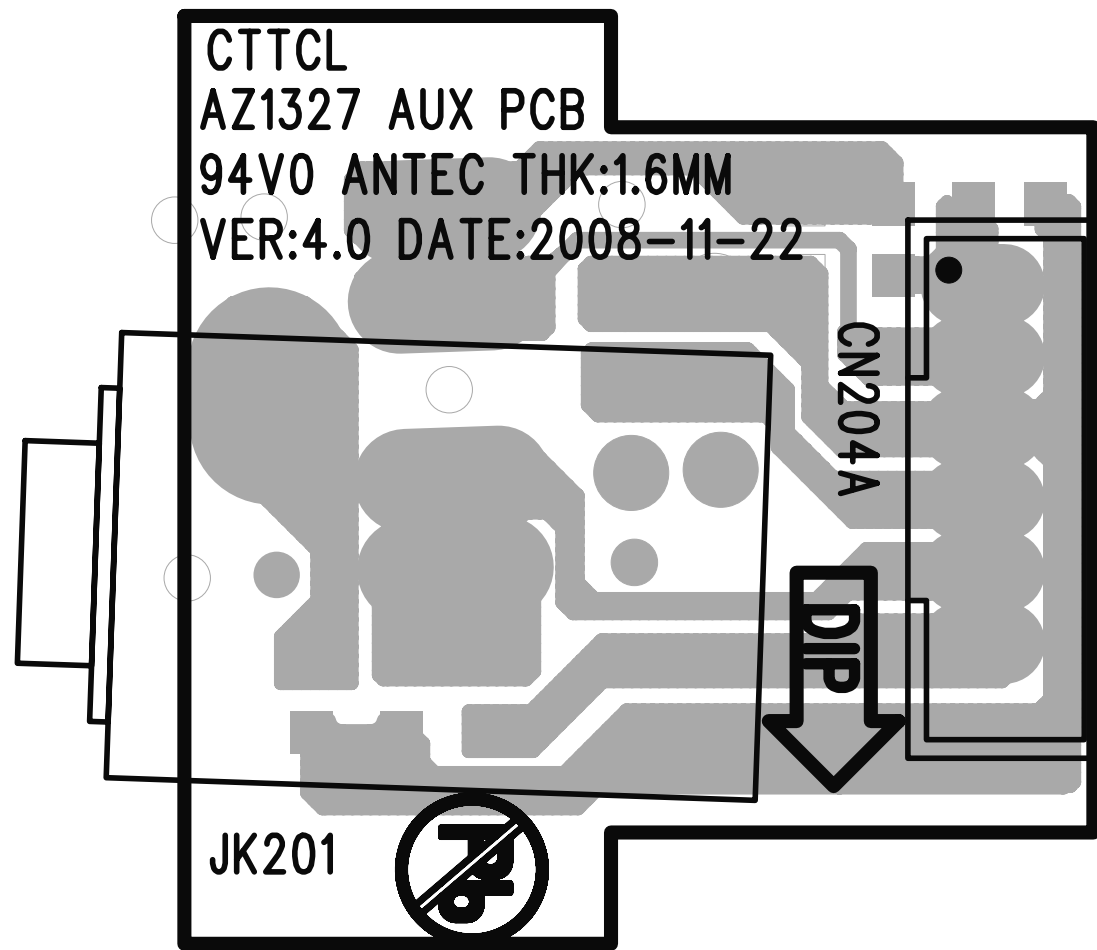
TUNER BOARD - CIRCUIT DIAGRAM (PART 1)



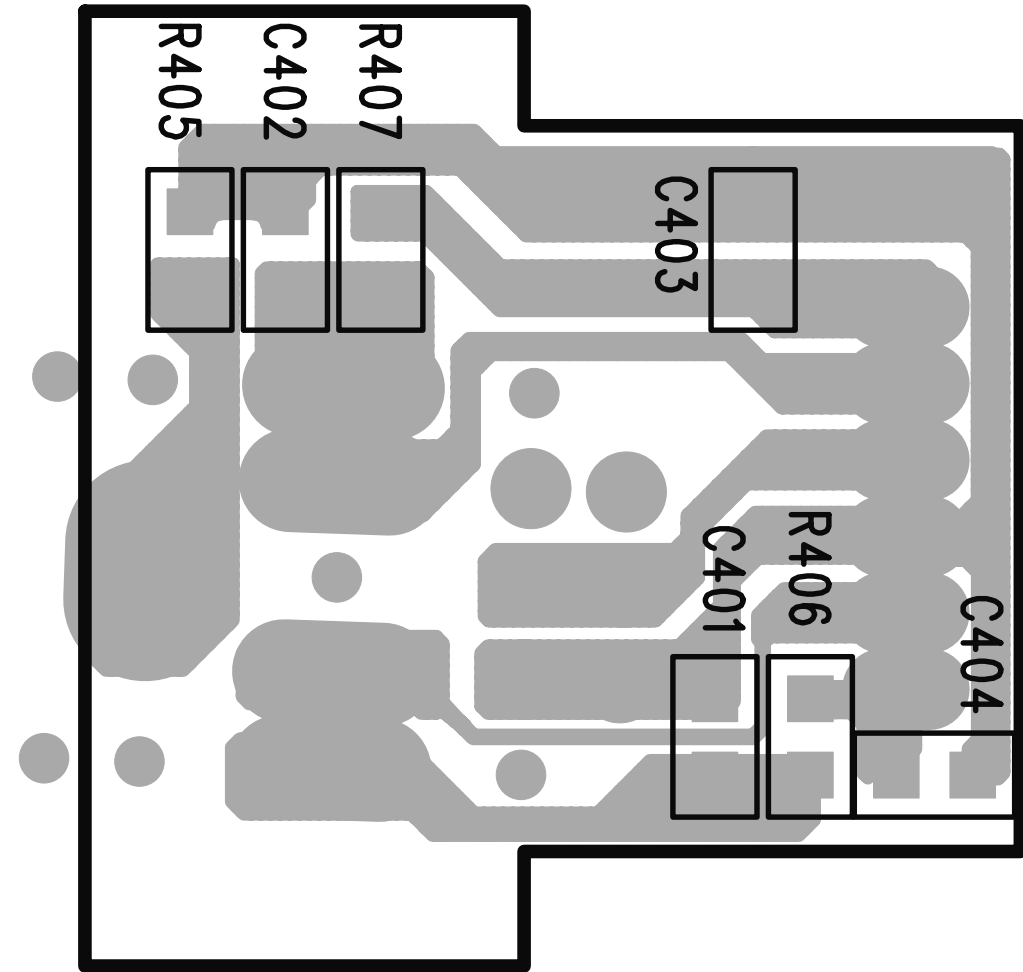
TUNER BOARD - CIRCUIT DIAGRAM(PART2) BUFFER



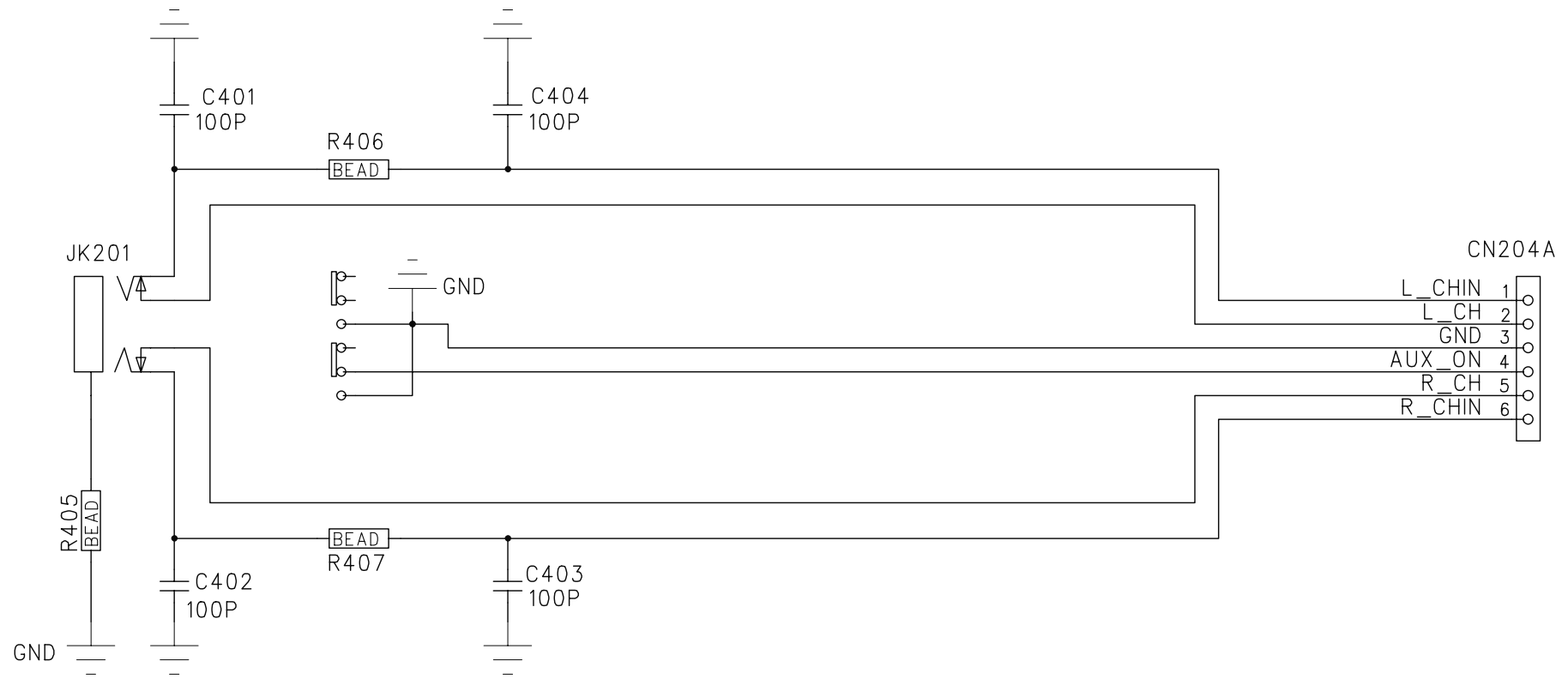
AUX BOARD - LAYOUT DIAGRAM
TOP VIEW



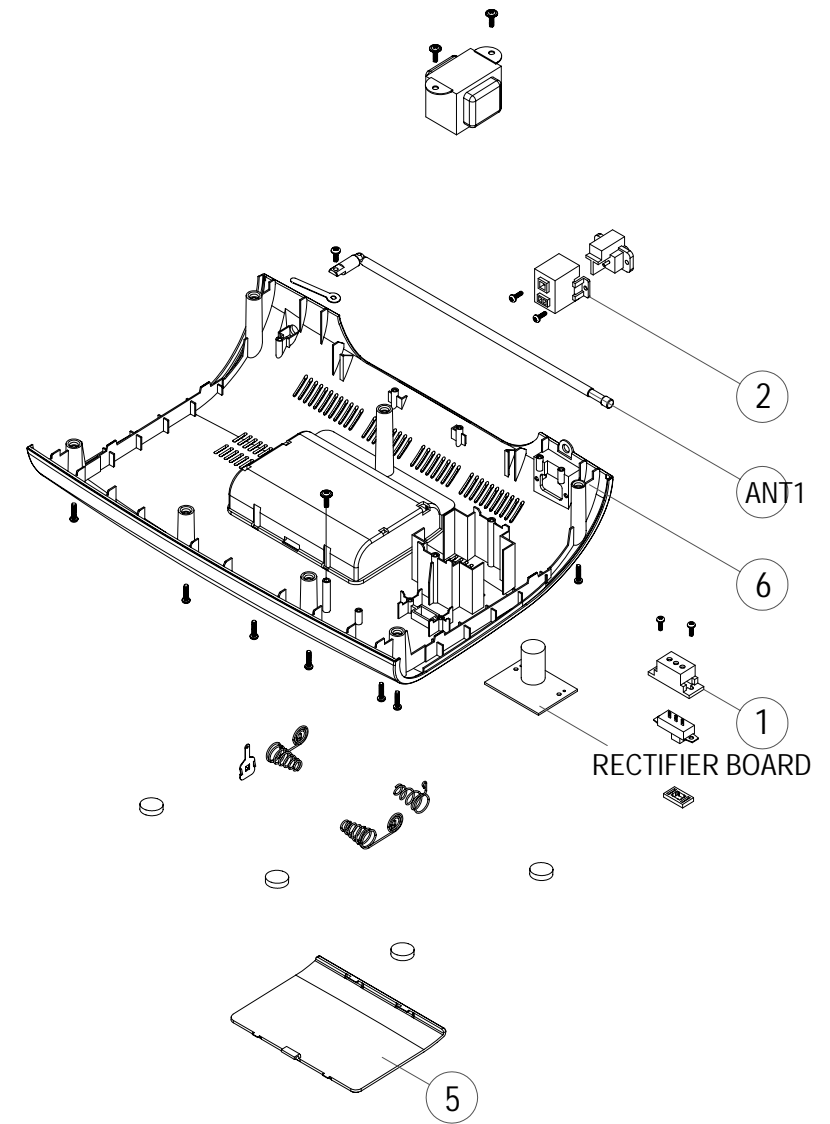
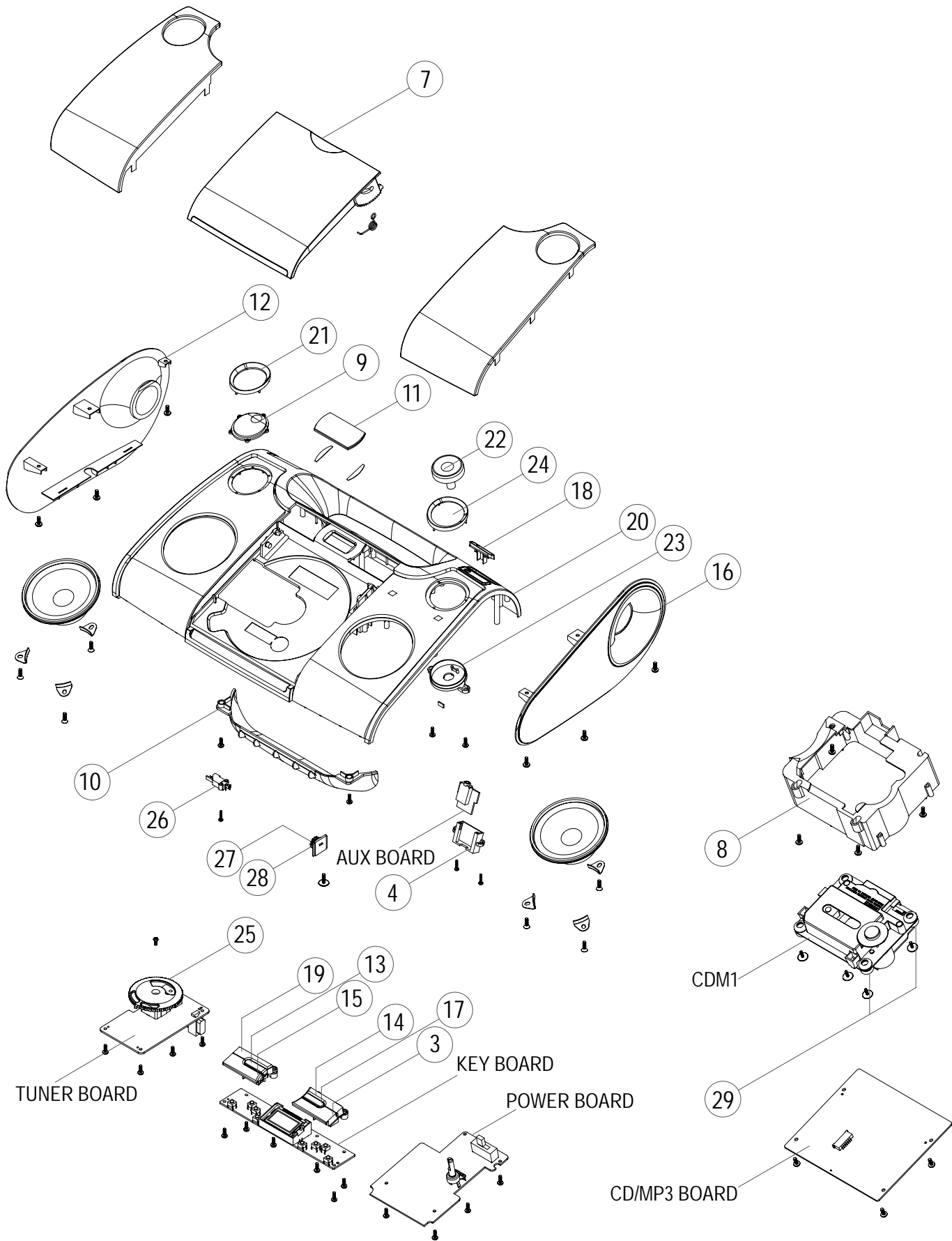
AUX BOARD - LAYOUT DIAGRAM
BOTTOM VIEW



AUX BOARD - CIRCUIT DIAGRAM



SET MECHANICAL EXPLODED VIEW



MECHANICAL & ACCESSORIES PARTS LIST

1	996510021543	AC SELECTOR COVER
2	996510018422	AC SOCKET COVER
3	996510021512	ALBUM KNOB
4	996510021552	AUX BRACKET
5	996510021537	BATTERY DOOR
6	996510021515	BOTTOM CABINET
7	996510021547	CD DOOR
8	996510021528	CD MECHAMISM COVER
9	996510021517	DIAL LENS
10	996510021536	HANDLE COVER
11	996510021535	LCD LENS
12	996510021554	LEFT CABINET
13	996510021508	LEFT KNOB
14	996510021527	PLAY/PAUSE KNOB
15	996510021551	PROG KNOB
16	996510021507	RIGHT CABINET
17	996510021521	RIGHT KNOB
18	996510021522	SOURCE SLIDE KNOB
19	996510021523	STOP KNOB
20	996510021548	TOP CABINET
21	996510021539	TUNING RING
22	996510021545	VOLUME KNOB
23	996510021544	VOLUME KNOB BRACKET
24	996510021542	VOLUME RING
25	996510021511	TUNING KNOB
26	996510000933	CD DOOR SWITCH 1P2T
27	996510000931	CD DOOR GEAR
28	994000001409	CD DOOR GEAR HOLDER
29	996500039254	CD DOOR DAMPER BLACK
ACCOIL	996510018690	1.5M VDE POWER CORD
ANT1	994000003393	ROD ANTENNA 2-SECTIONS L=420MM
CDM1	994000003392	CD MECHANISM DA11B3VF (SANYO)
	996510021513	ANTENNA BAR HOLDER

Note: Only these parts mentioned in the list are normal service parts.

ELECTRICAL PARTS LIST

C805	996510016290	E.CAP 3300UF 16V 13X26MM M%
CN105	996510021555	FFC SOCKET P1.0MM (ANGLE TYPE)
D201	996510010774	DIODE 1N4148 FDLL4148
D207	996510011332	DIODE 1N4148
D300	996510021541	DIODE BAS85
D801	996510011339	DIODE 1N4003
DZ201	996510012835	ZENER DIODE 5V6 1/2W (TC5V6)
DZ202	996510011336	ZENER DIODE 7V5 1/2W (TC7V5)
F801	996510021546	FUSE 5T 1.25A 250V(G)
IC101	996510021518	IC TC94A77FG-612
IC102	994000005753	IC D9258PH
IC201	996510018432	IC D2822N
IC300	996510021519	IC TA2111FG
INE10	996510021514	FFC CABLE 60MM 16P P1MM
JACK1	△ 996510016704	2PINS AC SOCKET
JK201	996510003840	3.5MM STEREO JACK
L101	996510021549	CARBON RES. 4.7R 1/6W J%
LCD	996510021538	LCD DISPLAY 6H
LINE13	996510000935	2PINS PLUG ADAPTOR
LINE7	996510001906	AUX STEREO CORD
Q102	996510003718	TRANSISTOR KTC-8550C
Q109	996510010776	TRANSISTOR BC817-25 SOT23
Q201	996510001414	TRANSISTOR KTB772 TAPE
Q202	996510016717	TRANSISTOR KTC-9014C
Q203	996510021526	TRANSISTOR KTC-9015C
Q204	996510003717	TRANSISTOR KTD882 (KEC)
Q207	996510012793	TRANSISTOR BC847B
Q210	996510021525	TRANSISTOR BC807-40 SOT23
R123	996510021509	CARBON RES. 10 KR 1/6W J%
R131	996510021533	CARBON RES. 680R 1/6W J%
R136	996510021531	CARBON RES. 5.1KR 1/6W J%
R286	996510021532	CARBON RES. 1KR 1/6W J%
SP1	996510000932	77MM SPEAKER 8R 1W 3"
SW	△ 996510000874	VOLTAGE SELECTOR WS-12J01-GC7
SW1	996510000933	CD DOOR SWITCH 1P2T
SW202	996510021516	SLIDE SWITCH 4P4T SST-44D04G9
SW401	996500039269	TACT SWITCH
T801	△ 994000003395	TRANSFORMER EI-41 120/230V

Note: Only these parts mentioned in the list are normal service parts.