

Service
Service
Service



Service Manual



CONTENTS

Block diagram 1-1
 Wiring diagram 2-2

Circuit Diagram - Main board

 Mcu part 3-1
 Tuner & AMP part 4-1

layout diagram - Main board

 Component side view 5-1
 Copper side view 6-1

Service parts list 7-1

Revision list 8-1



© Copyright 2008 Philips Consumer Electronics B.V. Eindhoven, The Netherlands
All rights reserved. No part of this publication may be reproduced, stored in a retrieval system or transmitted, in any form or by any means, electronic, mechanical, photocopying, or otherwise without the prior permission of Philips.

Published by LX 0816 Service Audio Subject to modification

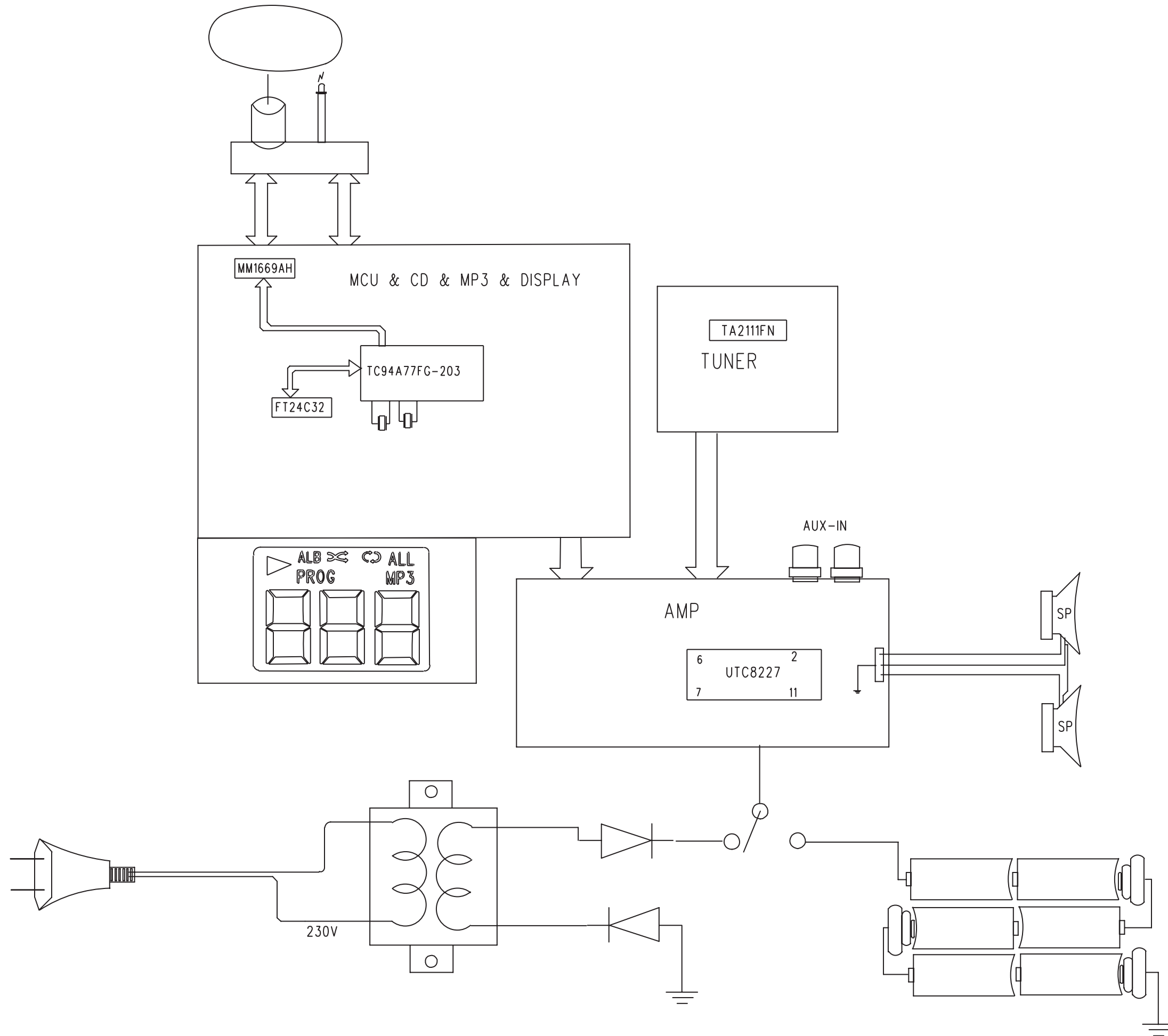
3141 785 32313

Version 1.3

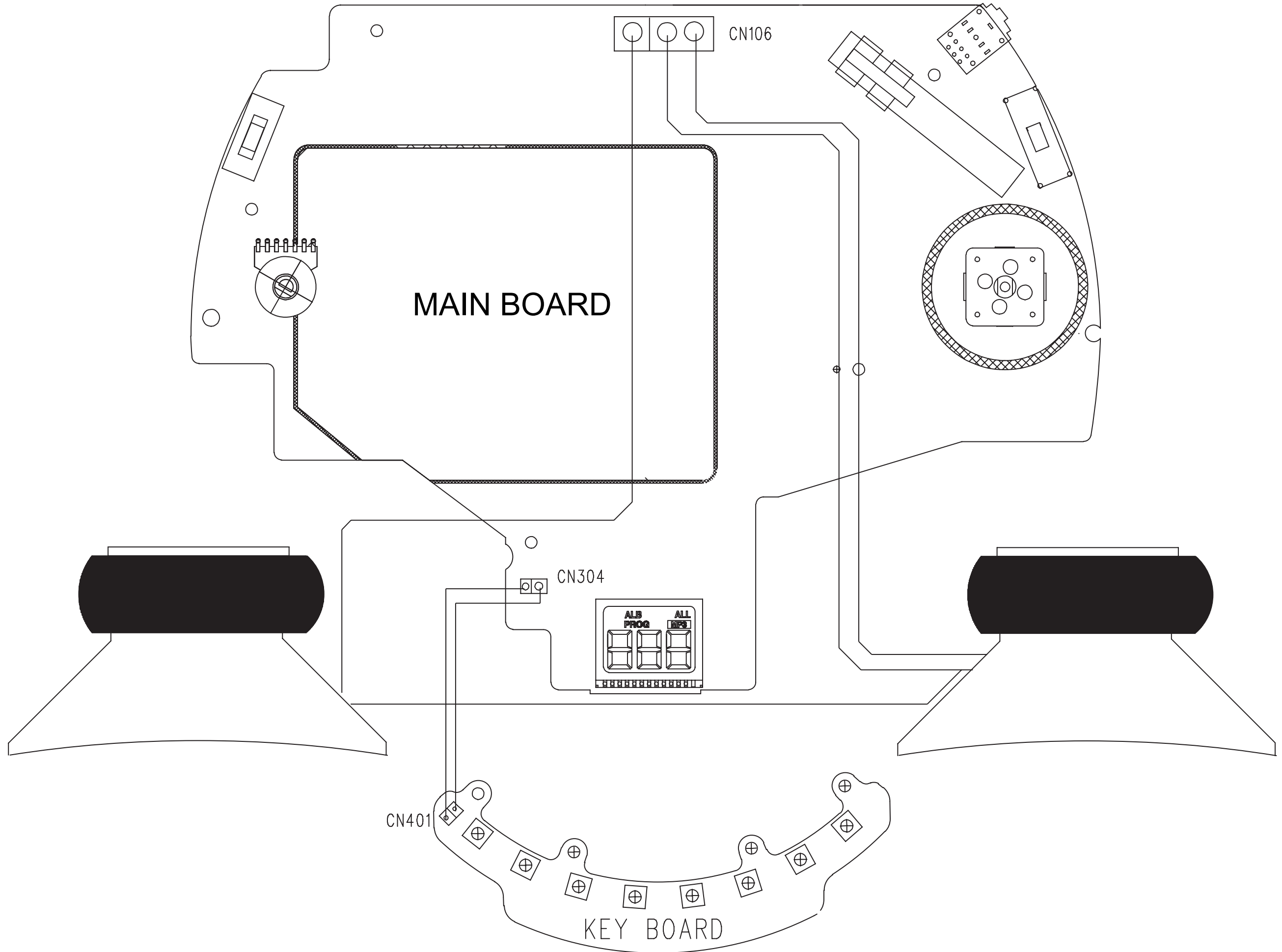


PHILIPS

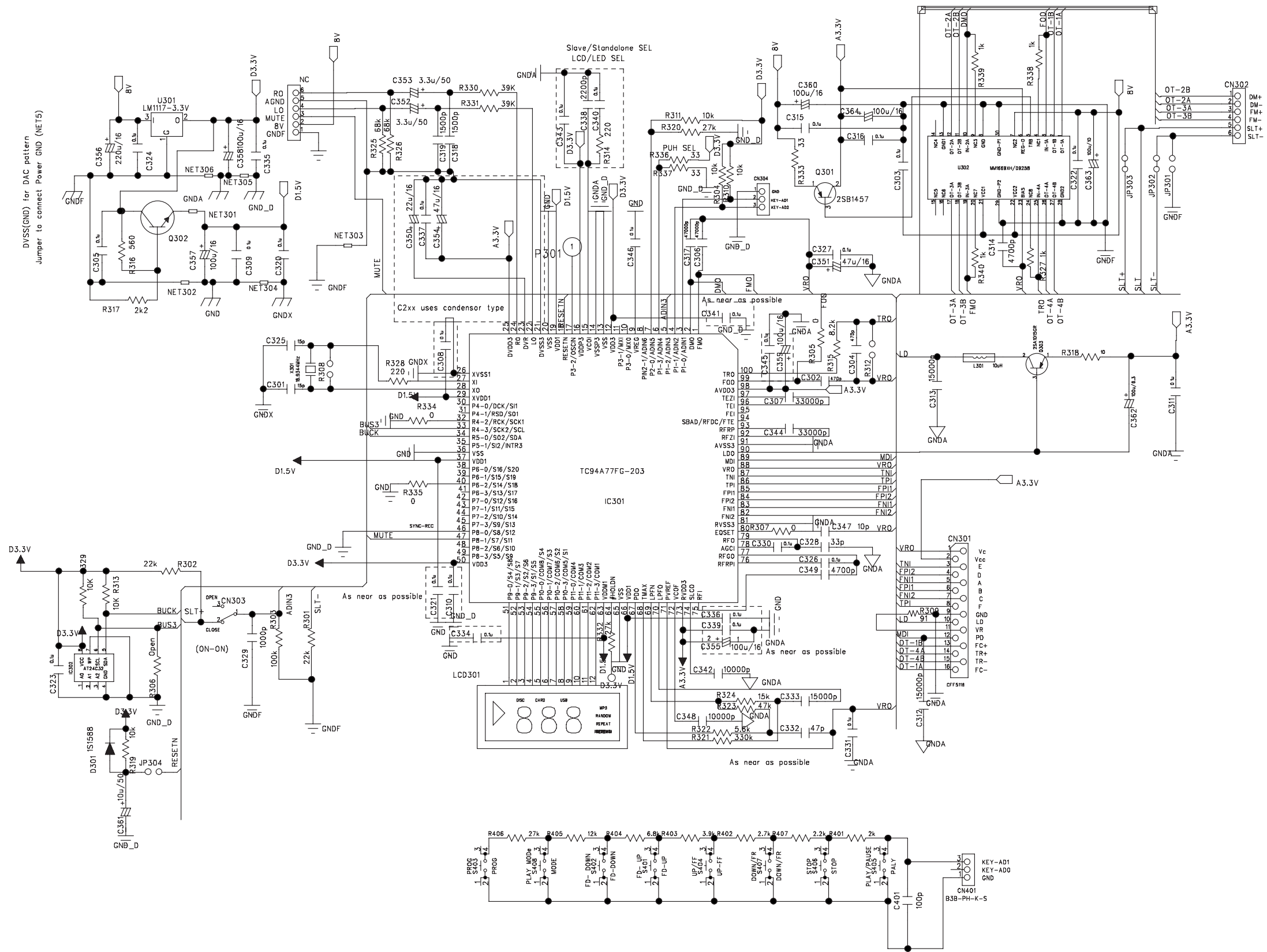
SET BLOCK DIAGRAM



SET WIRING DIAGRAM



CIRCUIT DIAGRAM - MAIN BOARD MCU PART



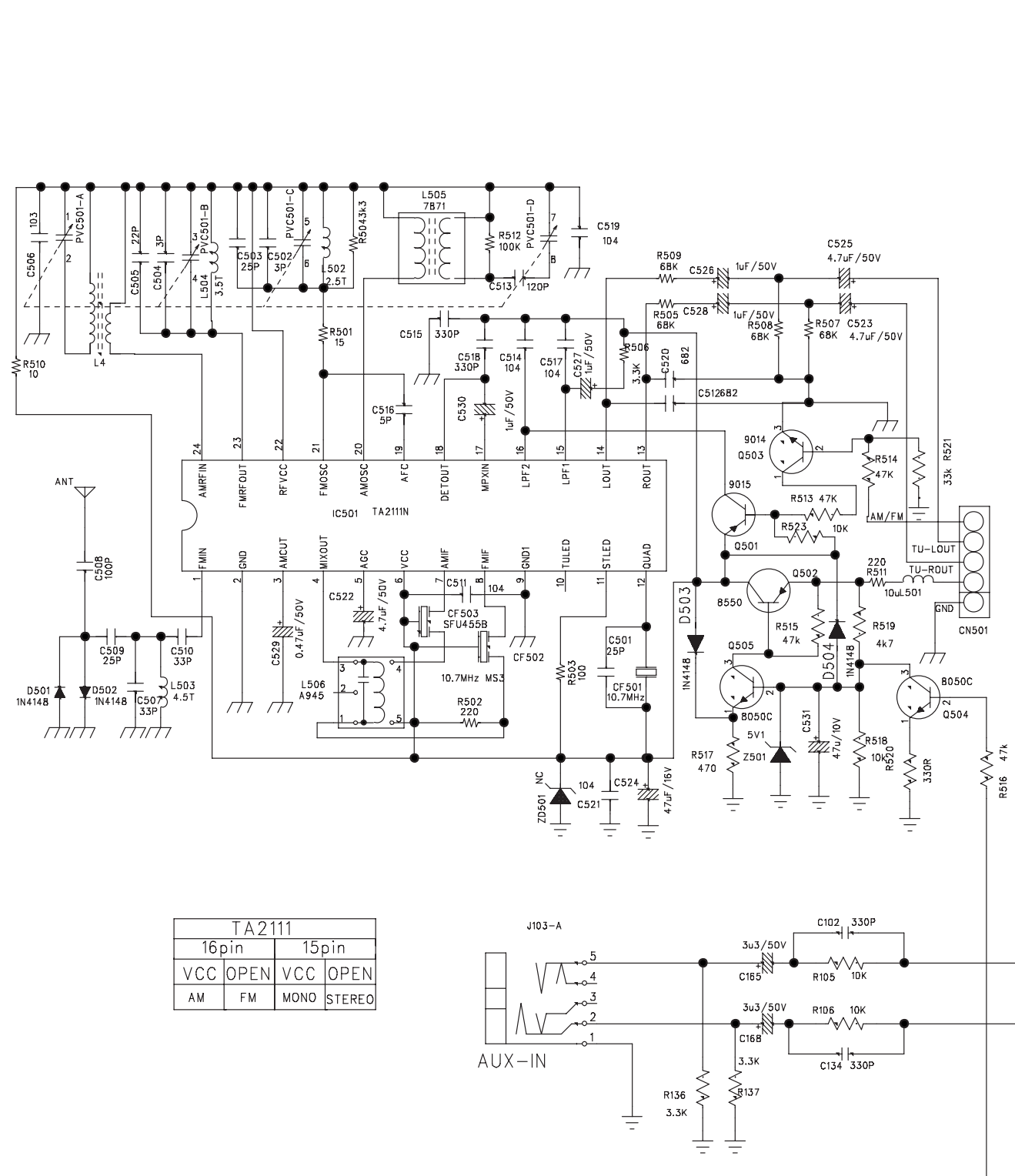
Mode: Pin 7	Valt
Slove	0v
LED 18k EEPROM	1.35V
LED 32k EEPROM	1.9V
LCD 32k EEPROM	2.45V
LCD 16k EEPROM	3.3V

PUH SEL Pin 6	Valt	R8	R17	Pin 32
USB Enable	Pull Up			
USB Disable	Pull Down			

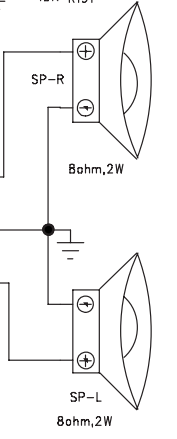
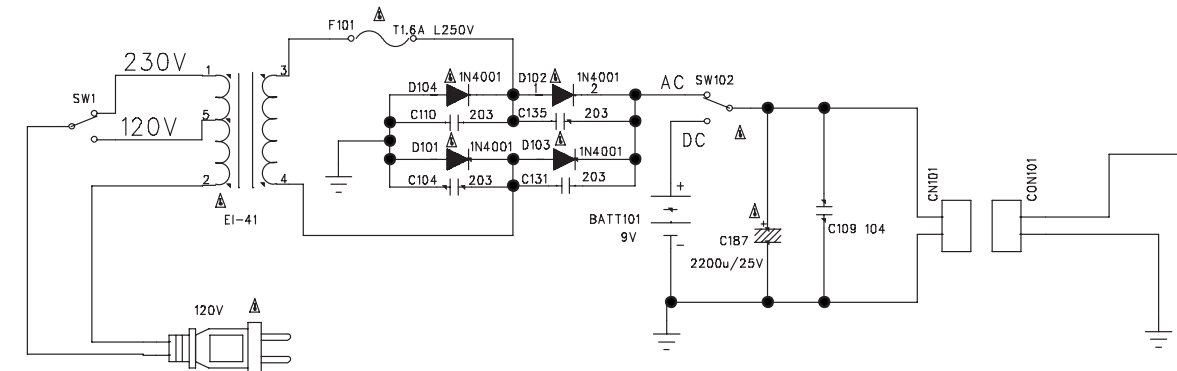
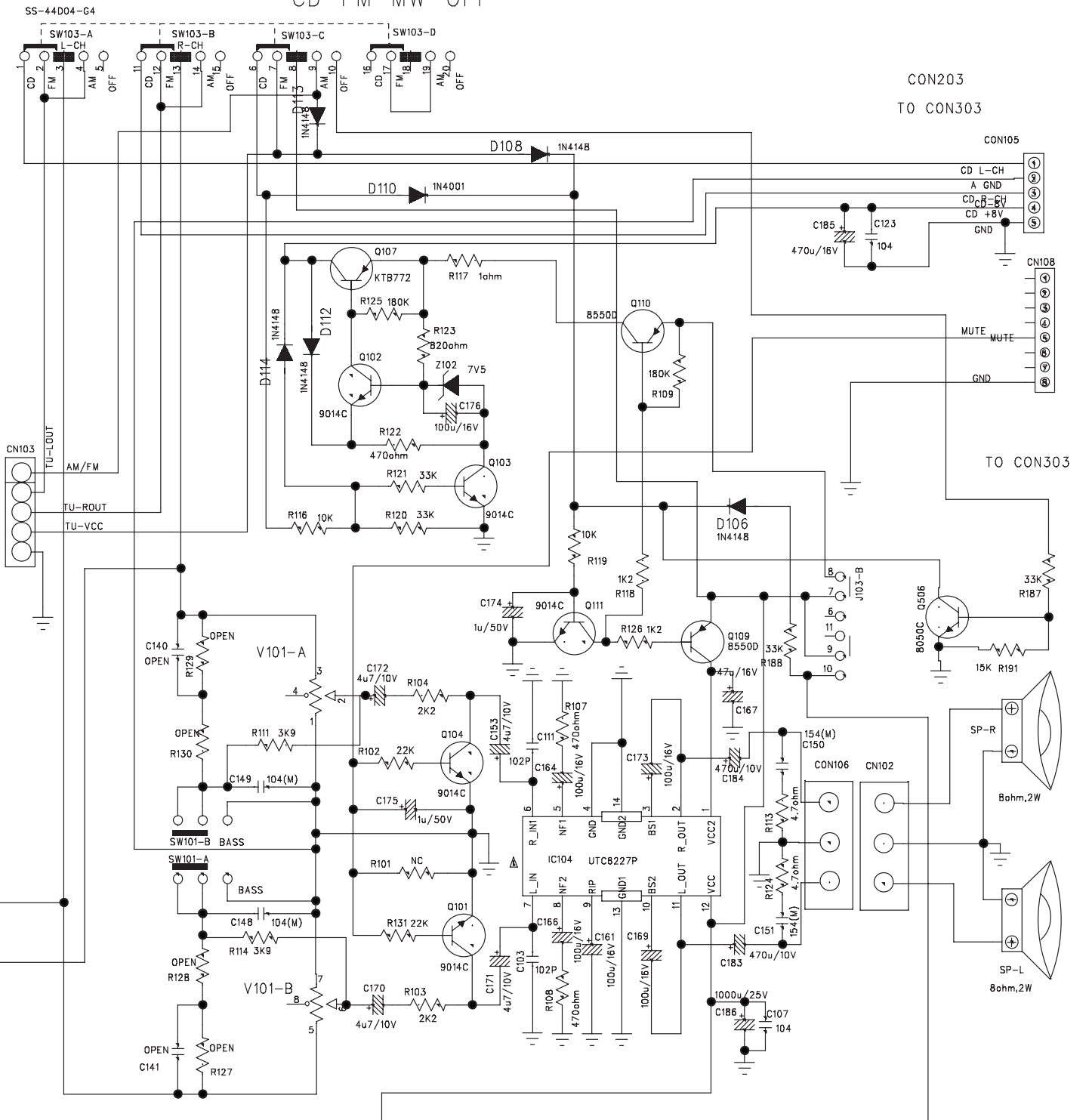
	Pin 40
SD Enable	Pull Up
SD Disable	Pull Down

1. R16 change to 91
2. Pin 9 odd USB power control
3. Pin 7 LCD/LED/ Slave/Standalone SEL
4. Add R10: 4.7k ohm
5. R123 change to 8.2k ohm
6. Change R18 to open, R19 to 10k
7. Add R20 10k ohm
8. Add R49 2.2k ohm

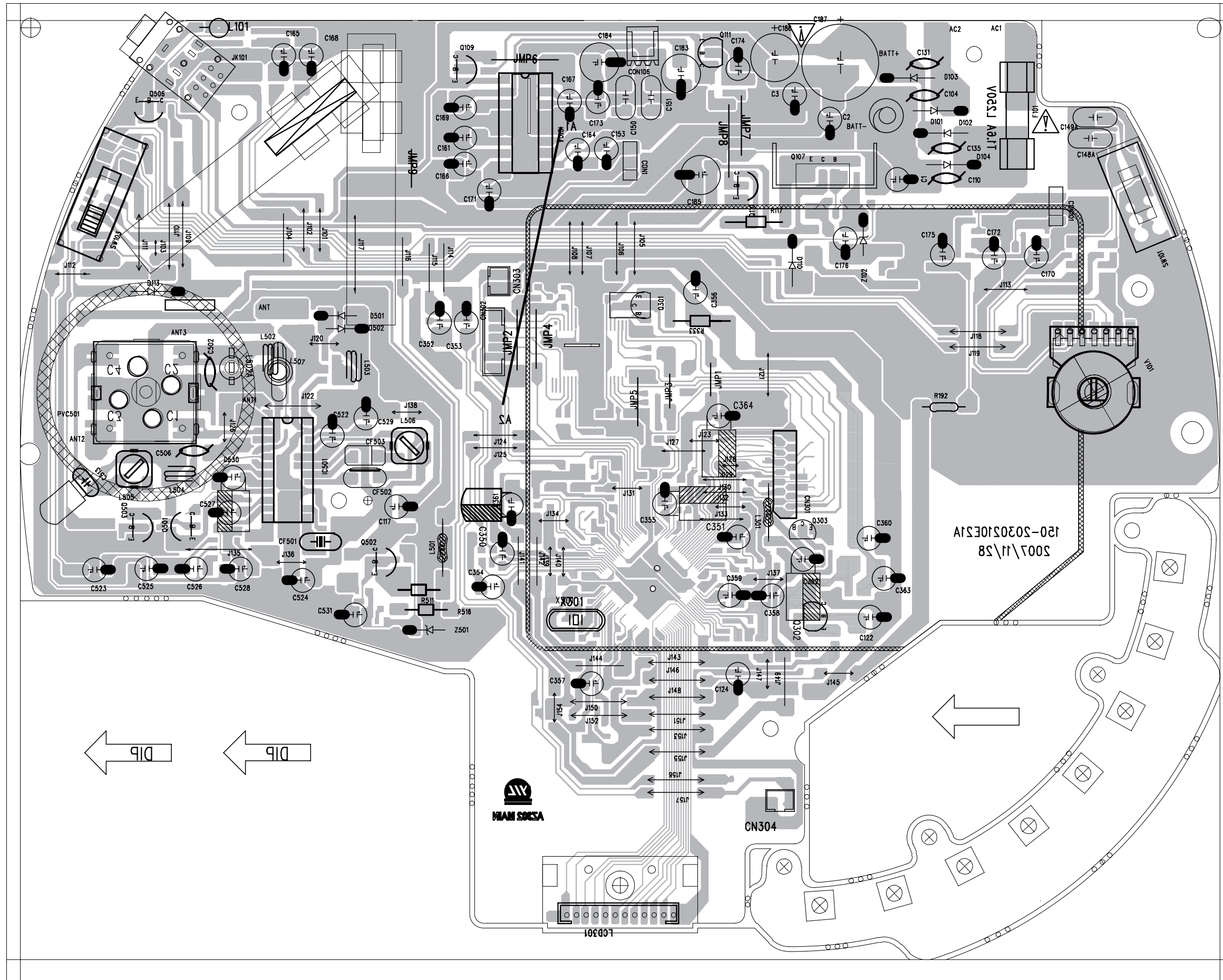
**CIRCUIT DIAGRAM - MAIN BOARD
TUENR & AMP PART**



**MW-FM-CD-AUX
CD-FM-MW-OFF**



LAYOUT DIAGARM - MAIN BOARD COMPONENT SIDE VIEW



Service parts list

11	996510006698	SPEAKER 3" 8ohm 1W,ROUND SIL
12	996510010490	ROD ANTENNA 5 SEG, 360,430mm
13	996510026613	CD MECHANISM SANYO DA11B3VF
14	996510010492	CD DOOR"E" SPRAY SILVER(only for AZ302S/55/77/78)
14	996510011815	CD DOOD (only for AZ302/98)
15	994000004061	7871 CD RUBBER CUSHION BLACK
16	994000005189	7871 CD RUBBER CUSHION PINK
17	994000004726	7831 GEAR (MODE:0.8)
18	994000004727	7831 GEAR STAND (MODE:0.8)
19	996510010493	AZ102 CD DOOR SPING
20	996510010494	TRAN.VDE,EML-2229MT (only for AZ302S/55/77/78)
20	996510011816	AZ302/98 TRAN.EI-41,EML2243MT
21	996510010495	BATTERY DOOR
CORD	996510010489	VDE-APP AC CORD,W/SOCKET,PLUG(only for AZ302S/55)
CORD	996510010496	VDE-APP AC CORD,W/SOCKET(only for AZ302/98)
CORD	996510013441	IRAM APP AC CORD SET (only for AZ302S/77)
CORD	996510014897	IRAM APP AC CORD SET (only for AZ302S/78)
IC104	996510024016	IC D8227 HDIP-12 (only for-/55)
IC301	996510026699	TC9477FG-203(CPU)(QFP-100) (only for-/55)
IC501	994000003962	IC TA2111NG (only for-/55)
U302	996510026702	D9258PH (HSOP28)CHMC(3.3V) (only for-/55)
SW 103	996510026701	SS-44D04-G4 (only for-/55)
PCB1	996510026698	AZ302S-55 MAIN BOARD PCBA (only for-/55)

Note: Only these parts mentioned in the list are normal service parts.

REVISION LIST

Version 1.0 (3141 785 32310)

* Initial Release AZ302S/55

Version 1.1 (3141 785 32311)

* New versions AZ302/98 is introduced.

* Page 7-1 : Service partslist - Updated

Version 1.2 (3141 785 32312)

* New versions AZ302S/77 is introduced.

* Page 7-1 : Service partslist - Updated

Version 1.3 (3141 785 32313)

* New versions AZ302S/78 is introduced.

* Page 7-1 : Service partslist - Updated

Version 1.4 (3141 785 32314)

* AZ302S/55 main PCBA is added.

* Page 7-1 : Service partslist - Updated