

Service
Service
Service



Service Manual



CONTENTS

Block diagram 1-1
 Wiring diagram 2-2

Circuit Diagram - Main board

 CD & Display part 3-1
 Tuner & Power part..... 4-1
 USB control part 5-1

layout diagram - Main board

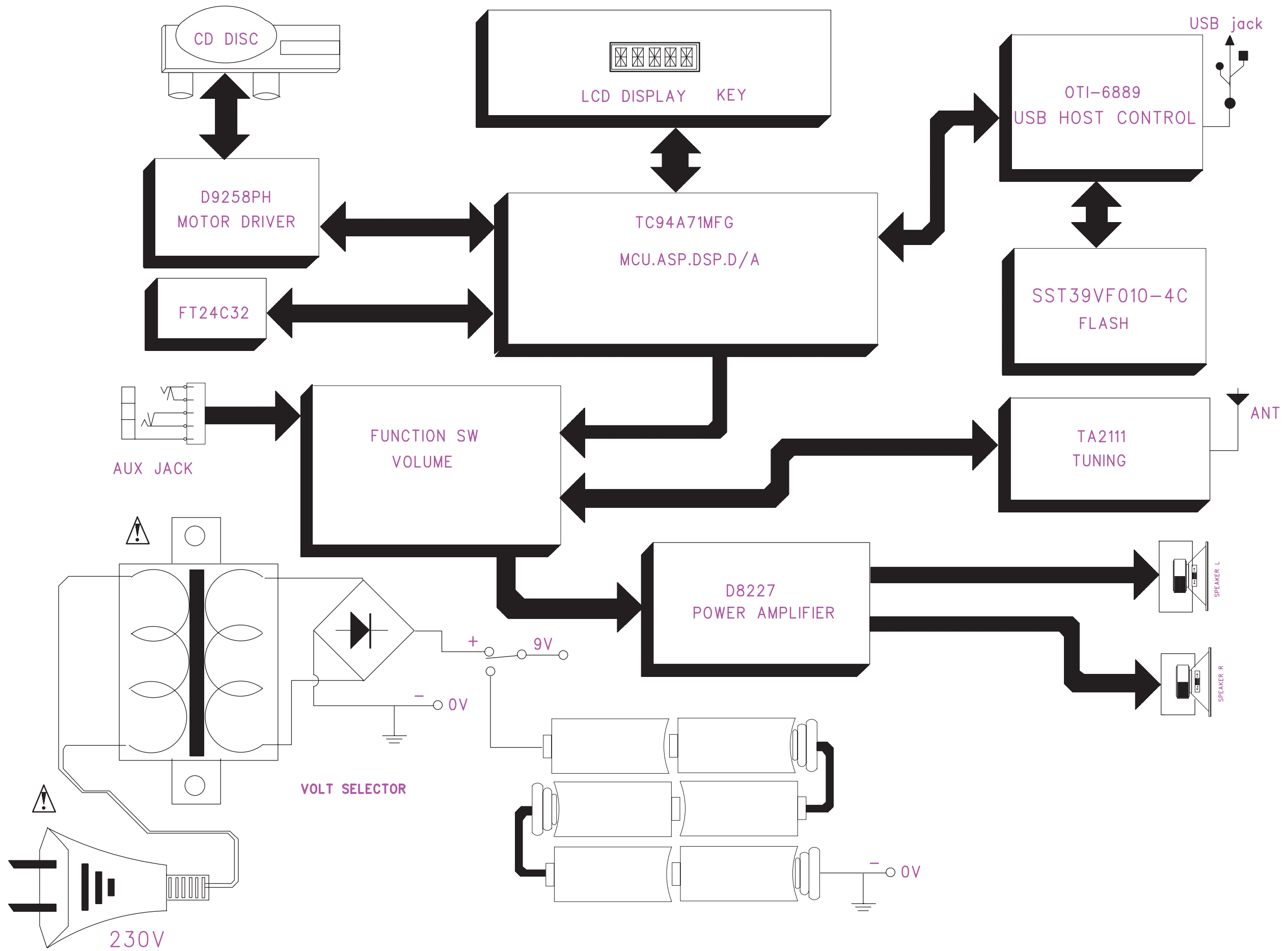
 Component side view 6-1
 Copper side view 6-2

Service parts list 7-1

© Copyright 2008 Philips Consumer Electronics B.V. Eindhoven, The Netherlands
 All rights reserved. No part of this publication may be reproduced, stored in a retrieval system or transmitted, in any form or by any means, electronic, mechanical, photocopying, or otherwise without the prior permission of Philips.



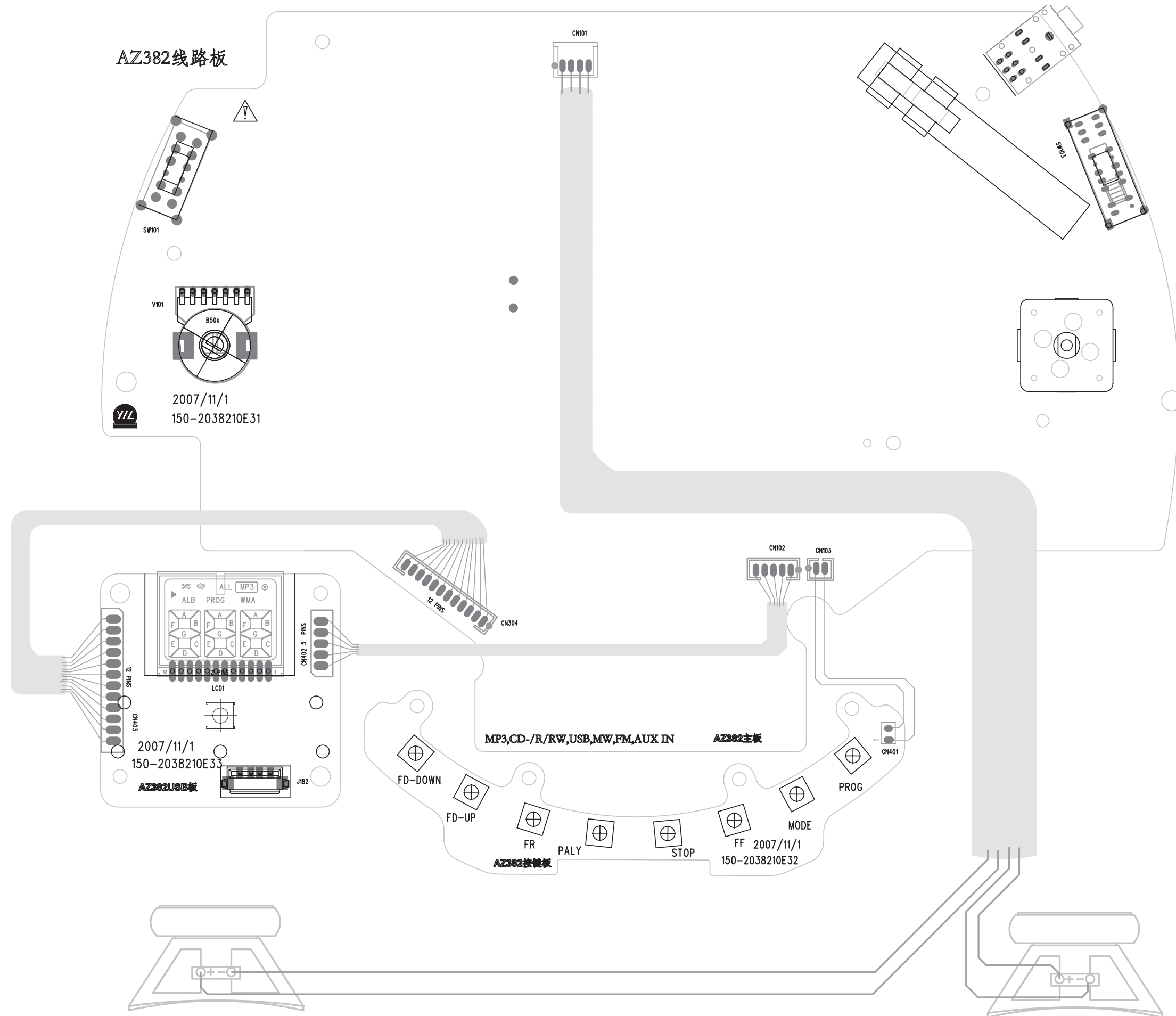
SET BLOCK DIAGRAM



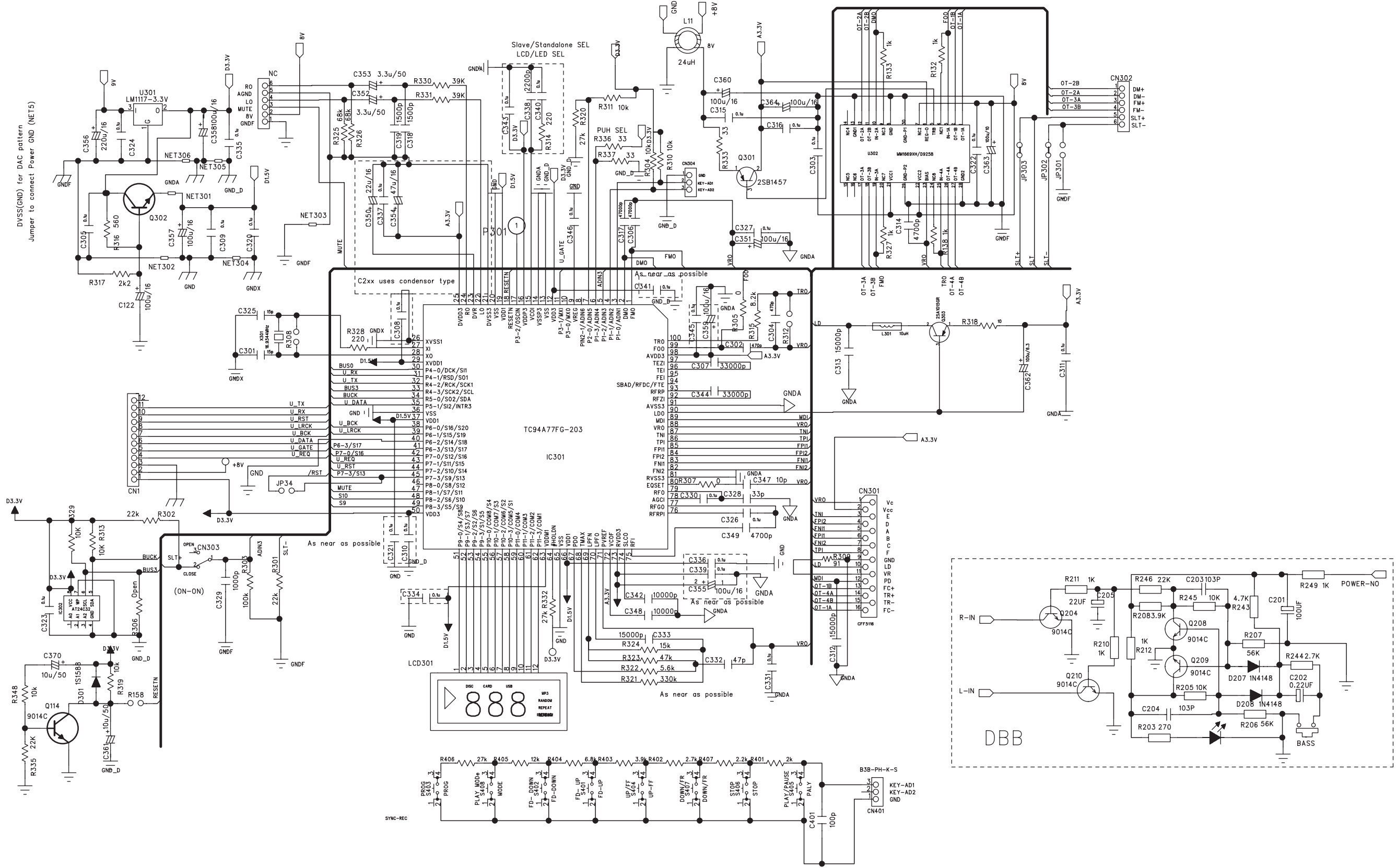
SET WIRING DIAGRAM

2 - 1

2 - 1



CIRCUIT DIAGRAM - MAIN BOARD
CD & DISPLAY PART



Mode:	Pin 7	Volt
Slave		0V
LED 16k EEPROM		1.35V
LED 32k EEPROM		1.9V
LCD 32k EEPROM		2.45V
LCD 16k EEPROM		3.3V

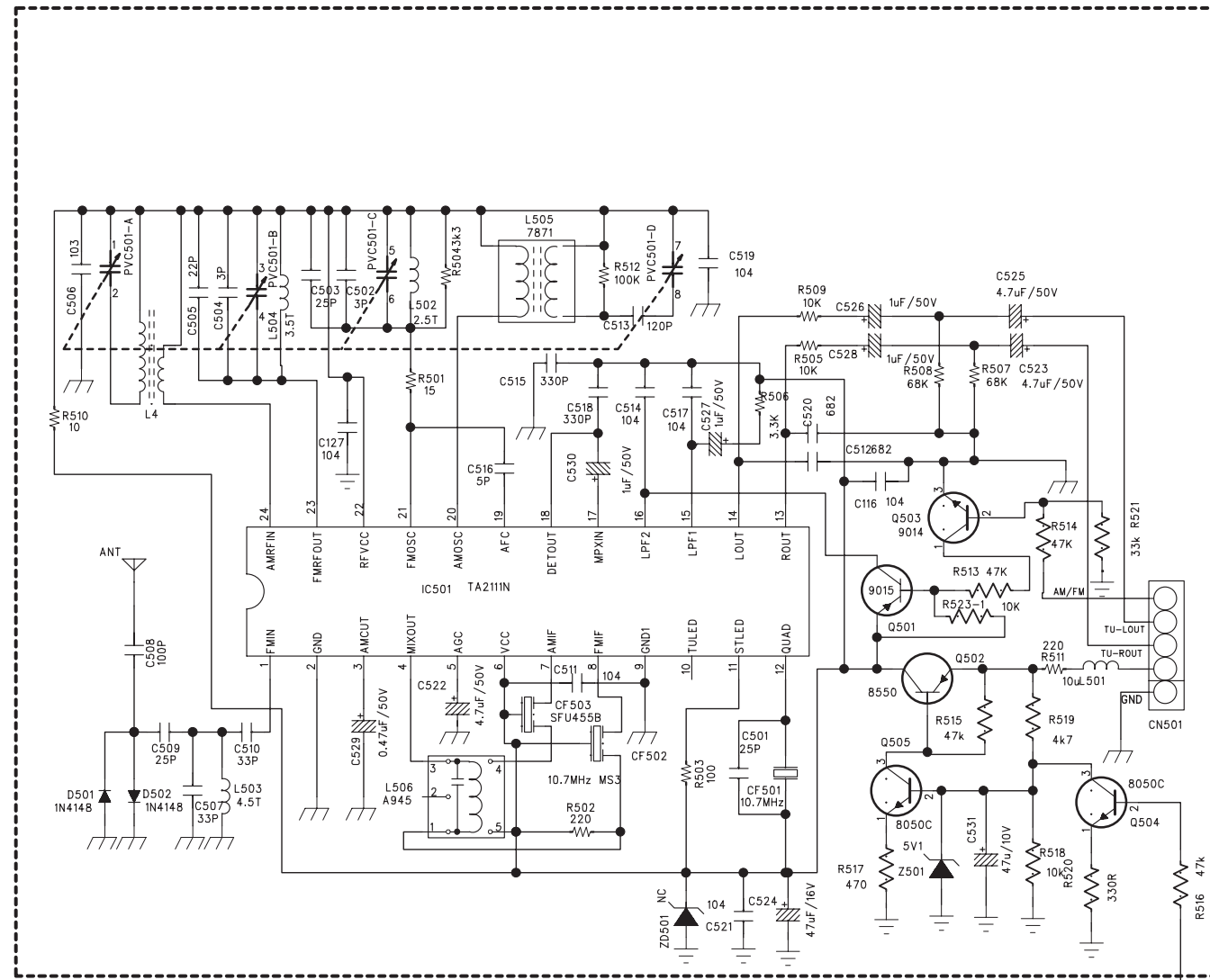
PUH SEL	Pin 6	Volt	RB	R17
Sony KSS-213CL	OV	Open	15k	
Richly RB01	1.2V	27k	15k	
Sonyo DA11VF	2V	10k	15k	
Sony KSS-900AAA	3.3V	10k	Open	

USB Enable	Pin 32
USB Enable	Pull Up
USB Disable	Pull Down

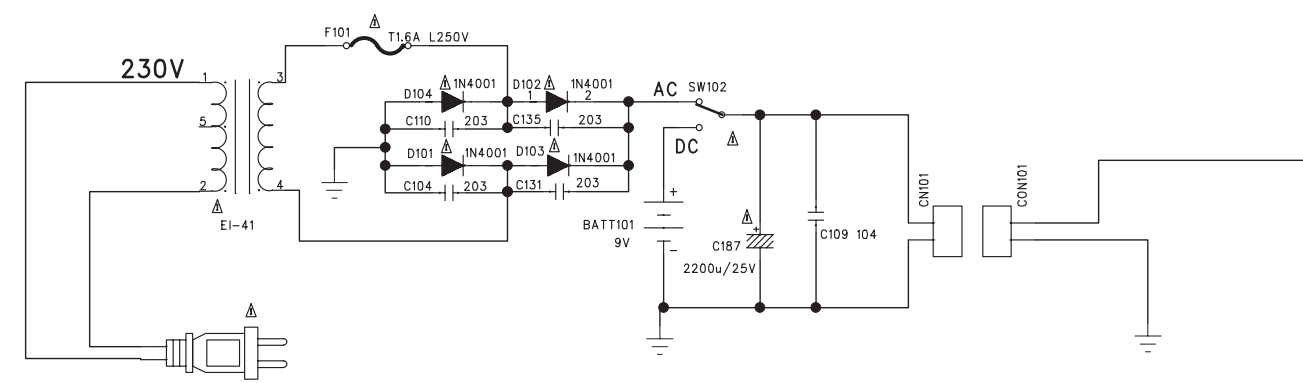
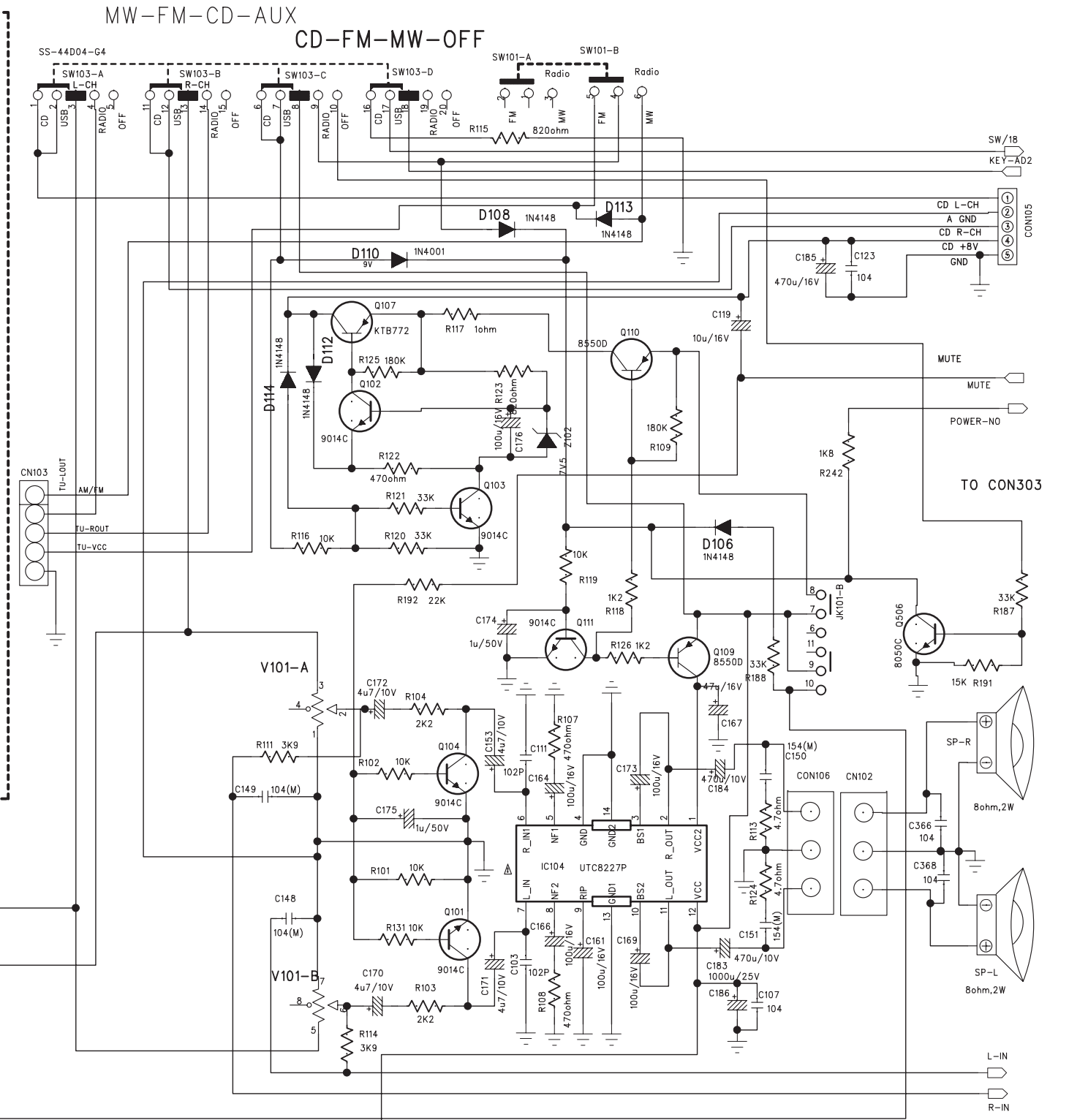
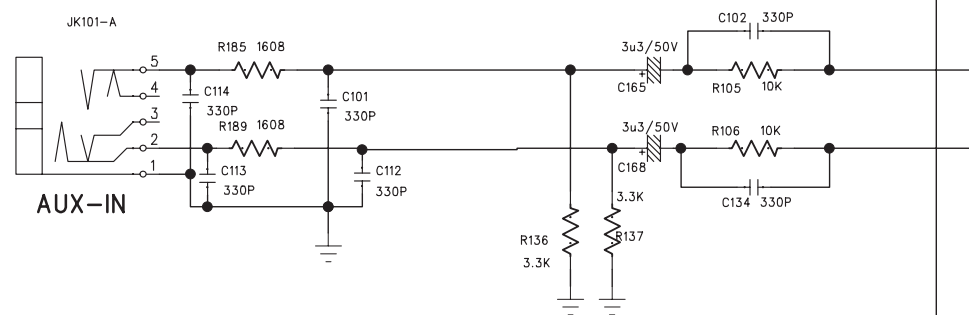
SD Enable	Pin 40
SD Enable	Pull Up
SD Disable	Pull Down

- R16 change to 91
- Pin 8 add USB power control
- Pin 7 LCD/LED/Slave/Standalone SEL
- Add R10: 4.7k ohm
- R123 change to 8.2k ohm
- Change R16 to open, R19 to 10k
- Add R20 10k ohm
- Add R49 2.2k ohm

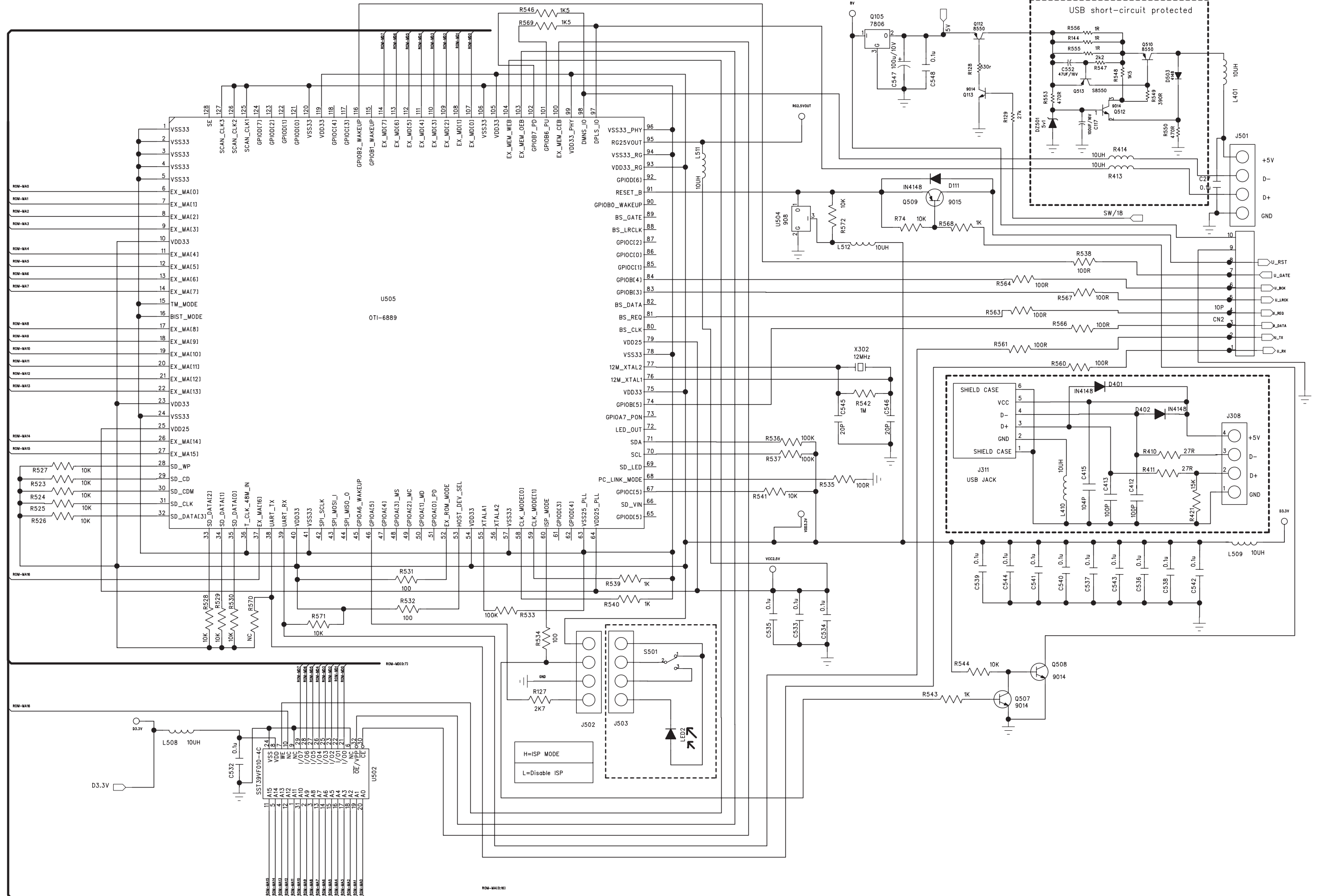
**CIRCUIT DIAGRAM - MAIN BOARD
TUENR & POWER PART**



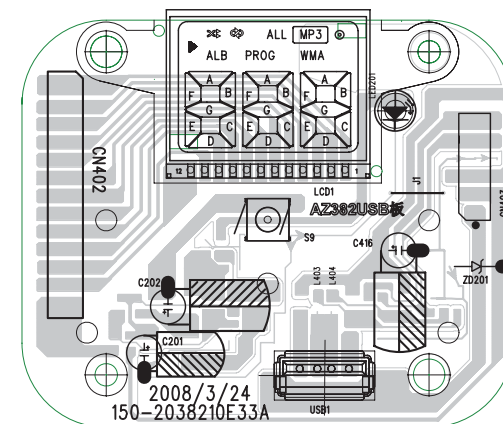
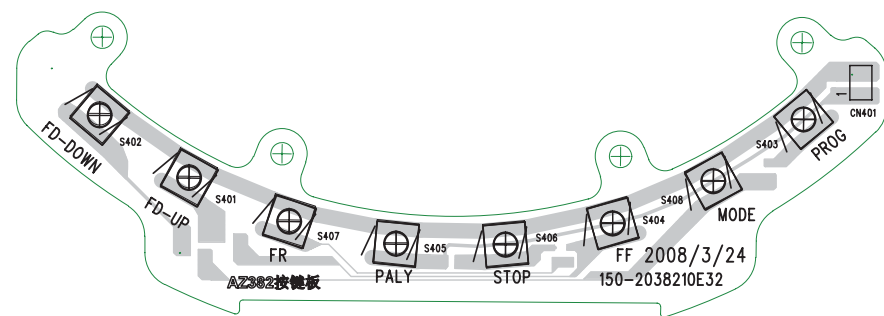
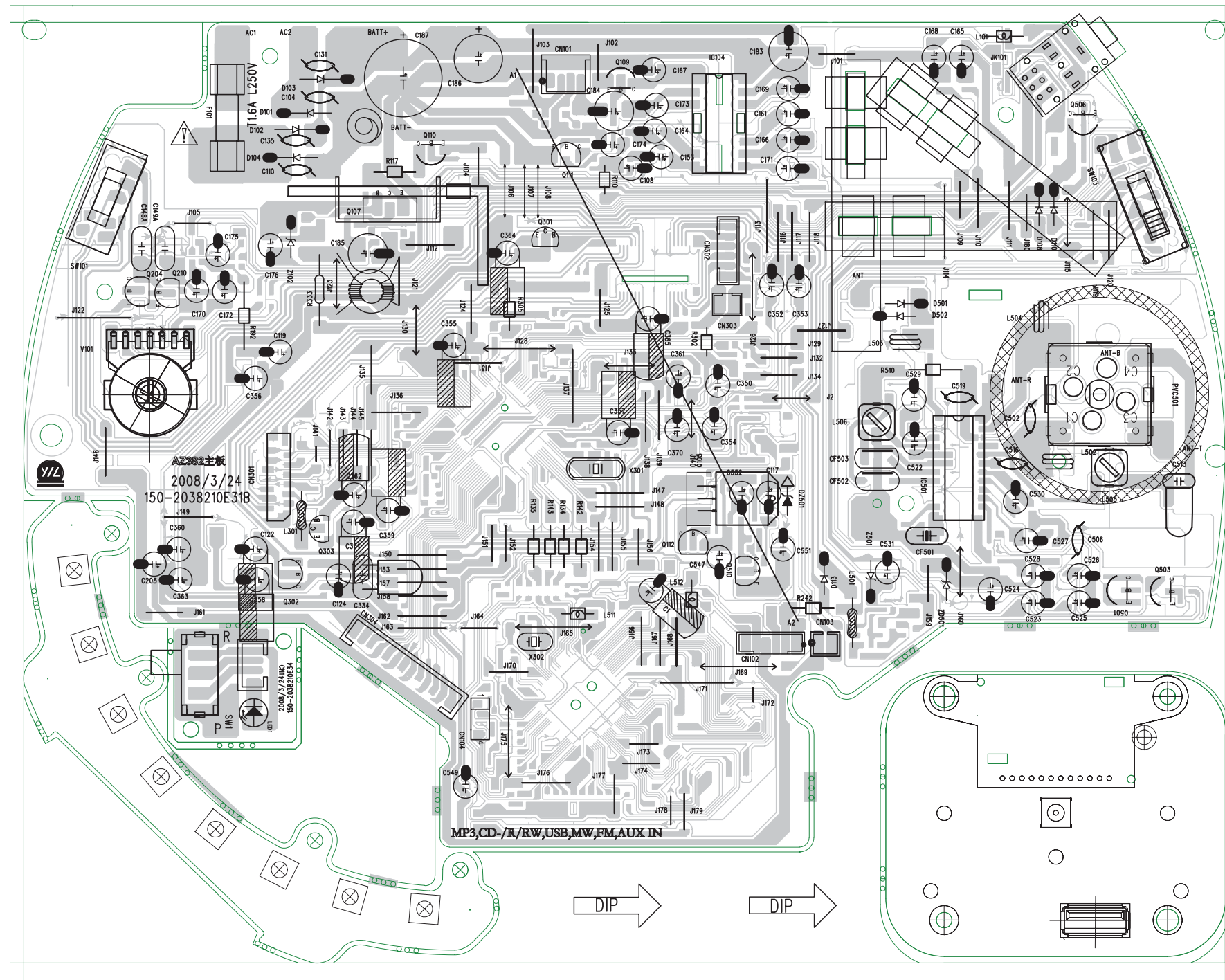
TA2111			
16pin		15pin	
VCC	OPEN	VCC	OPEN
AM	FM	MONO	STEREO



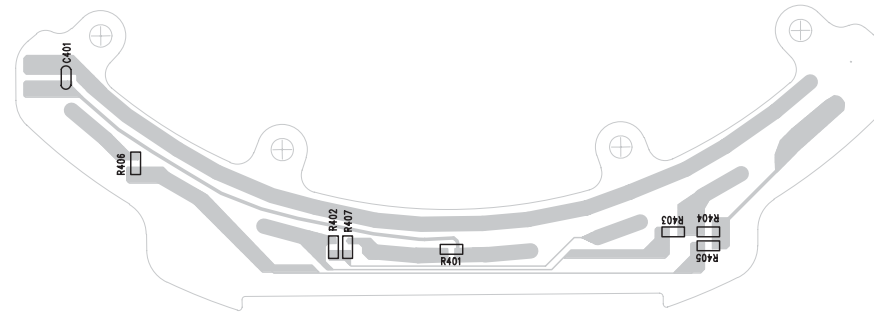
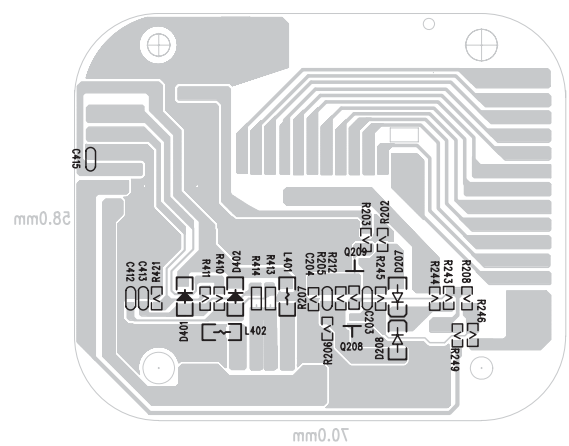
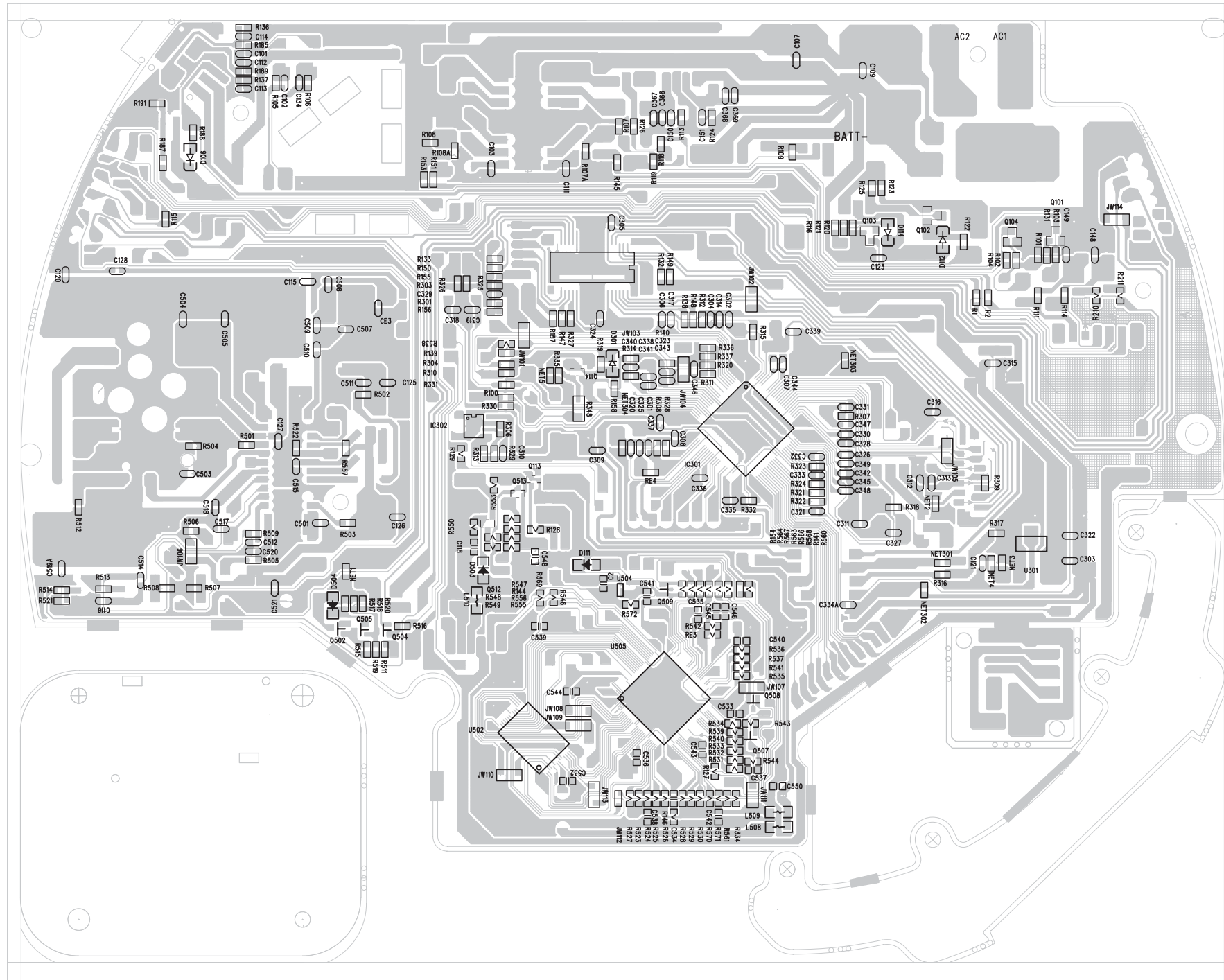
CIRCUIT DIAGRAM - MAIN BOARD USB CONTROL PART



LAYOUT DIAGARM - MAIN BOARD COMPONENT SIDE VIEW



LAYOUT DIAGRAM - MAIN BOARD COPPER SIDE VIEW



Service parts list

10	994000004727	7831 GEAR STAND (MODE:0.8)
11	996510010493	AZ102 CD DOOR SPING
12	996510016909	TRAN. VDE,EML-2216VT(-/61/12)
12	996510022741	AZ382 TRAN.UL EI-41 (-/96)
13	996510016927	AC POWE SOCKET VDE TC08-115-02 (-/61)
13	994000004086	AC POWER SOCKET (/12/96)
14	994000004782	FUSE 50T D5X20 1.6A 250V(S.B.)
15	996510010495	BATTERY DOOR
20	996510006698	SPEAKER 3" 8ohm 1W,ROUND SIL
3	996510010490	ROD ANTENNA 5 SEG, 360,430mm
4	996510010491	CD MECHANISM SANYO DA11B3VF
5	996510016926	CD DOOR
6	994000004061	7871 CD RUBBER CUSHION BLACK
7	994000005189	7871 CD RUBBER CUSHION PINK
8	996510006691	7871 CD PICK UP DUSTCOVER
9	994000004726	7831 GEAR (MODE:0.8)
2	996510016759	VDE-APP AC CORD LINE,W/SOCKET (-/61)
2	996510010496	VDE-APP AC CORD LINE BLK (-/12)
2	996510022742	AC CORD LINE BLK L=1500mm(-/96)

Note: Only these parts mentioned in the list are normal service parts.