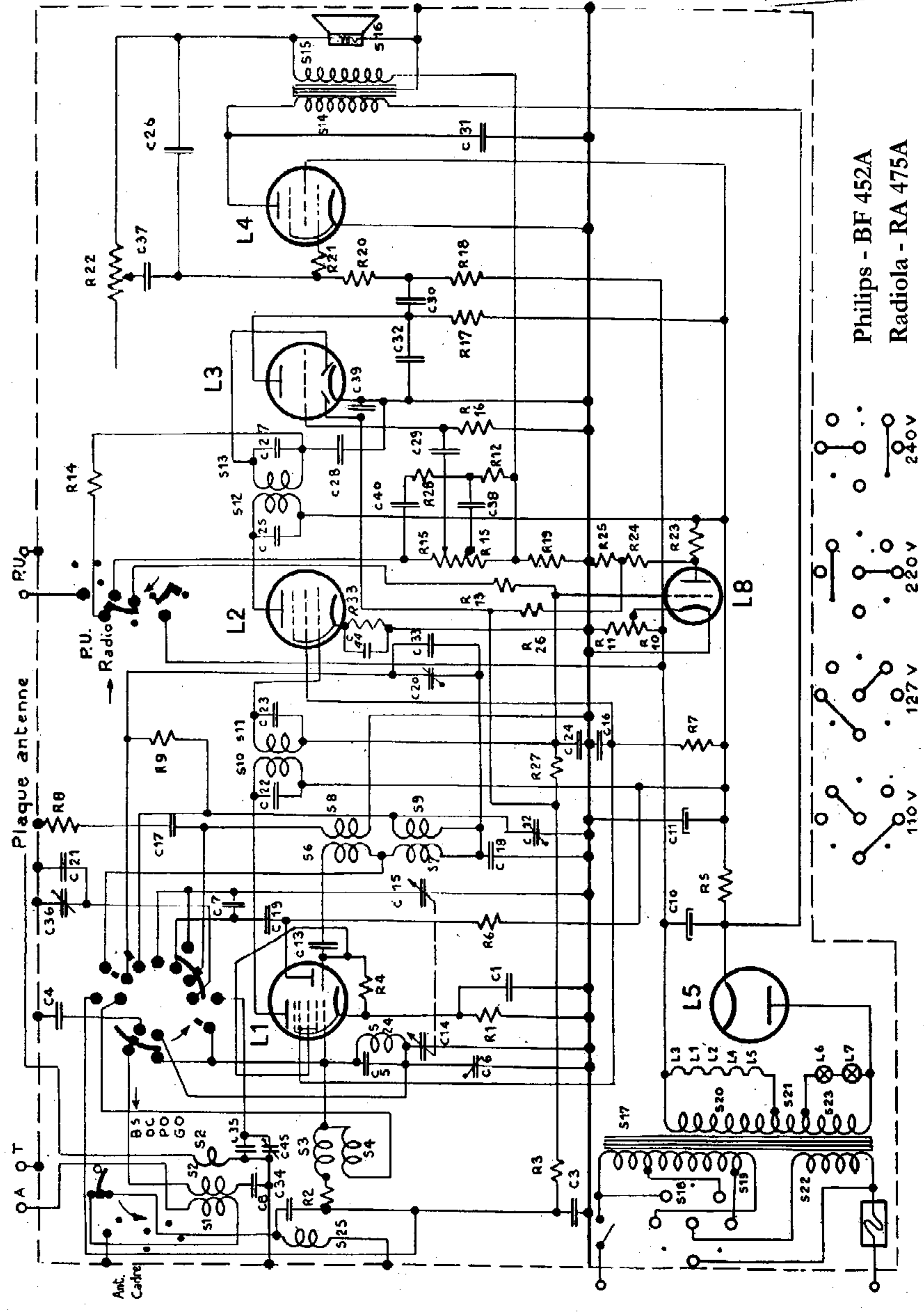


S	1.2.3.4	17.18.19.20.21.22.23.25.24	6.7.8.9	10.11	12.13	14.15.16
C	34.3	5.6.8.35.45	14	19.4	1.13.15.36.21.7.13.10.17.18.12.11.22.23.24.16.20.33.44	25.40.38.27.28.29.39.32.30.37.26.31.
R	2.3	1.4	6.5.	27	8.9.10.11.26.13.15.33.19.23.24.25.41.12	46.17.18.20.21.22



Philips - BF 452A  
Radiola - RA 475A

### RÉSISTANCES

R 1	100 Ω	A9 999 00/100 E	R 16	10 MΩ	A9 999 00/10 M
R 2	4,7 Ω	FK 506 94	R 17	0,22MΩ	A9 999 00/220 K
R 3	1 MΩ	A9 999 00/1 M	R 18	0,68MΩ	A9 999 00/680 K
R 4	33.000 Ω	A9 999 00/33 K	R 19	0,3 Ω	FK 678 06
R 5	1.000 Ω	A9 999 00/1 K	R 20	47.000 Ω	A9 999 00/47 K
R 6	15.000 Ω	A9 999 00/15 K	R 21	1.000 Ω	A9 999 00/1 K
R 7	10.000 Ω	A9 999 00/10 K	R 22	1. MΩ	FK 509 34
R 8	47 Ω	A9 999 00/47 E	R 23	47.000 Ω	A9 999 00/47 K
R 9	15.000 Ω	A9 999 00/15 K	R 24	68.000 Ω	A9 999 00/68 K
R 10	82 Ω	A9 999 00/82 E	R 25	15.000 Ω	A9 999 00/15 K
R 11	33 Ω	A9 999 00/33 E	R 26	8,2 MΩ	A9 999 00/8 M 2
R 12	22.000 Ω	A9 999 00/22 K	R 27	1,5 MΩ	A9 999 00/1 M 5
R 13	1,5 MΩ	A9 999 00/1 M 5	R 28	0,22MΩ	A9 999 00/220 K
R 14	47.000 Ω	A9 999 00/47 K	R 33	120 Ω	A9 999 00/120 E
R 15	Pot. 350 kΩ à prise	FK 509 67			

### CONDENSATEURS

C 1	40.000 pF	FAF 500 44	C 22	200 pF	dans MF 1
C 3	3.000 pF	A9 999 05/3 K	C 23	200 pF	dans MF 1
C 4	430 pF	A9 999 05/430 E	C 24	40.000 pF	FAF 500 44
C 5	150 pF	A9 999 05/150 E	C 25	200 pF	dans MF 2
C 6	ajustable 18 pF	49 005 59	C 26	270 pF	A9 999 04/270 E
C 7	110 pF	A9 999 05/110 E	C 27	200 pF	dans MF 2
C 8	10.000 pF	A9 999 04/10 K	C 28	100 pF	A9 999 04/100 E
C 10	50 μF	FK 508 36	C 29	4.700 pF	A9 999 06/4 K 7
C 11	30 μF	FK 508 37	C 30	10.000 pF	A9 999 06/10 K
C 12	ajustable 30 pF	28 212 36	C 31	4.700 pF	A9 999 06/4 K 7
C 13	47 pF	A9 999 04/47 E	C 32	470 pF	A9 999 04/470 E
C 14	500 pF	FK 848 23	C 33	430 pF	A9 999 05/430 E
C 15	524 pF		C 34	1.500 pF	A9 999 04/1 K 5
C 16	0,1 μF	A9 999 06/100 K	C 35	91 pF	A9 999 05/91 E
C 17	27 pF	A9 999 04/27 E	C 36	ajustable 30 pF	28 212 36
C 18	445 pF	A9 999 05/430 E +	C 37	3.300 pF	A9 999 06/3 K 3
C 19	270 pF	A9 999 05/15 E	C 38	8.200 pF	A9 999 06/8 K 2
C 20	ajustable 30 pF	A9 999 04/270 E	C 39	47.000 pF	A9 999 06/47 K
C 21	390 pF	A9 999 07/10 E - 50 E	C 40	3.300 pF	A9 999 06/3 K 3
		A9 999 05/390 E	C 44	40.000 pF	FAF 500 44

### BOBINAGES

S 1	Accord O.C.	FK 853 08	S 14	Transfo de HP	FK 842 76
S 2					
S 3	Cadre Fxc	FK 857 56	S 15	HP 2040/08	FK 858 61
S 4					
S 6 à	Oscillateur	FK 850 24	S 17 a	Transfo alimentation { 50 Hz 25 Hz	FK 851 69
S 9					
S 10	Filtre MF 1	FK 853 17	S 23	Filtre image PO	FK 841 14
S 11					
S 12	Filtre MF 2	FK 853 18	S 24	Découplage	FK 849 64
S 13					
			F 1	Fusible	FK 820 68

### TUBES

UCH 81	L 1	UY 41	L 5
UF 41	L 2	8034 D/00 (2x)	L 6-L 7
UBC 41	L 3	DM 71	L 8.
UL 41	L 4		