

Service  
Service  
Service



# Service Manual



## TABLE OF CONTENTS

	Page
Location of pc boards & Variation Table .....	1-2
Technical Specifications .....	1-2
Service Aids, Chip Handling .....	1-3
ESD, Safety Instruction, etc. ....	1-4
Instruction for use: Overseas version excerpt .....	2-1
Disassembly Instructions & Service positions .....	3-1
Service Test Programs .....	3-3
Set Block diagram .....	4
Set Wiring diagram .....	5
Supply & Headphone Boards .....	6
Front Board .....	7
Servo/Decoder Board .....	8
DAC/AF Board .....	9
Mechanical Exploded views & parts list .....	10



© Copyright 1999 Philips Consumer Electronics B.V. Eindhoven, The Netherlands  
All rights reserved. No part of this publication may be reproduced, stored in a retrieval system or transmitted, in any form or by any means, electronic, mechanical, photocopying, or otherwise without the prior permission of Philips.

Published by KC 9902 Service Audio Printed in The Netherlands Subject to modification



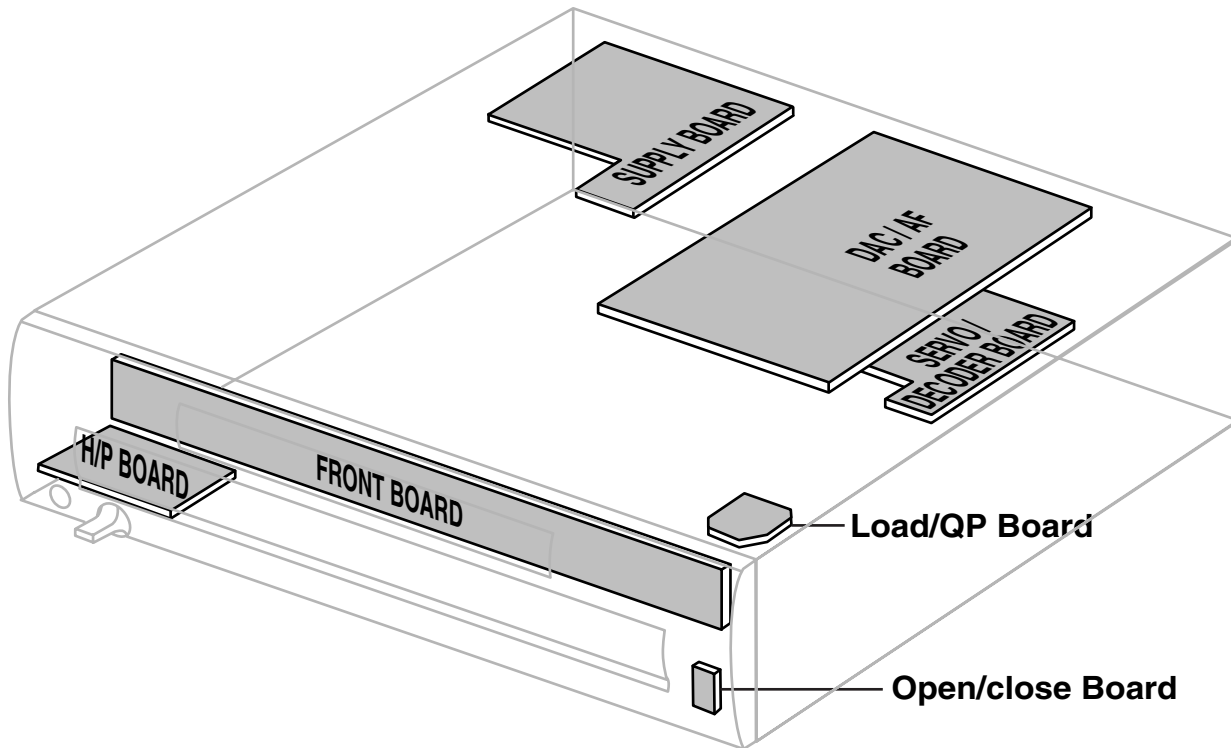
4822 725 25851

PCS 101 004



# PHILIPS

## LOCATION OF PC BOARDS



## VARIATION TABLE

Type /Versions:	CDC775			
	/00	/01	/14	/17
Features:				
CC-DAC (Non-bitstream)	x	x	x	x
BCC-DAC (Bitstream)	-	-	-	-
RC5 In/Out	-	-	-	-
Digital Out	x	x	x	x
Headphone	x	x	x	x
CD Text	-	-	-	-
CDRW (Play Rewritable Disc)	x	x	x	x

## SPECIFICATIONS

### GENERAL:

Mains voltage : 110-127V/220-240V Switchable for /01  
120V for /17  
220-230V for /00/14

Mains frequency : 50/60Hz  
Power consumption : < 12W at Play mode  
Dimension (WxDxH) : 435 x 380 x 119mm

### AUDIO PERFORMANCE:

Output level : 2Vrms±2dB @ 47kohm  
Frequency response within ± 0.4dB : 20Hz - 20kHz  
Dynamic range at 1kHz : > 90dB <sup>1)</sup>  
Signal/Noise ratio at 1kHz : > 98dB <sup>1)</sup>  
Total Harmonic Distortion at 1kHz : < 0.004%  
Channel unbalance at 1kHz : < 1dB  
Channel separation at 1kHz : > 95dB <sup>1)</sup>  
Headphone impedance : 30 - 600 ohm  
Headphone output (e.m.f.) : 4.5Vrms ± 2dB  
Digital Output at 75ohm : 0.5V

<sup>1)</sup> with 13th order Filter eg. 4822 395 30204

## SERVICE AIDS

### Service Tools:

Universal Torx driver holder .....	4822 395 91019
Torx bit T10 150mm .....	4822 395 50456
Torx driver set T6 - T20 .....	4822 395 50145
Torx driver T10 extended .....	4822 395 50423

### Compact Disc:

SBC426/426A Test disc 5 + 5A .....	4822 397 30096
SBC442 Audio Burn-in Test disc 1kHz .....	4822 397 30155
SBC429 Audio Signals disc .....	4822 397 30184
Dolby Pro-logic Test Disc .....	4822 395 10216
Eccentricity Disc, 150µm .....	4822 397 30279

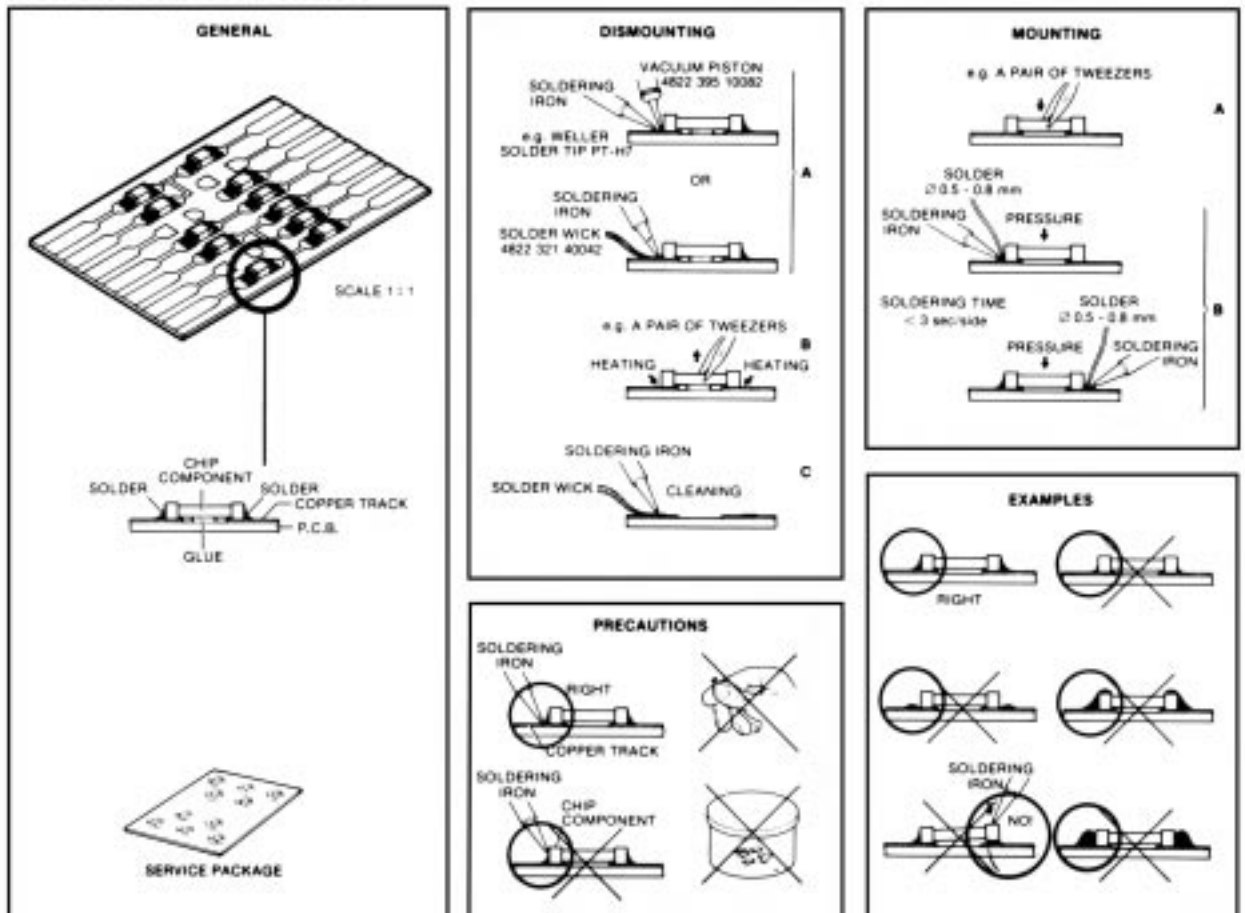
### Others:

13th Order Filter .....	4822 395 30204
-------------------------	----------------

### ESD Equipment:

Anti-static table mat - large 1200x650x1.25mm ...	4822 466 10953
Anti-static table mat - small 600x650x1.25mm .....	4822 466 10958
Anti-static wristband .....	4822 395 10223
Connector box (1MΩ) .....	4822 320 11307
Extension cable (to connect wristband to conn. box) .....	4822 320 11305
Connecting cable (to connect table mat to conn. box) .....	4822 320 11306
Earth cable (to connect product to mat or box) ....	4822 320 11308
Complete kit ESD3 (combining all above products) .....	4822 320 10671
Wristband tester .....	4822 344 13999

## HANDLING CHIP COMPONENTS



**(GB) WARNING**

All ICs and many other semi-conductors are susceptible to electrostatic discharges (ESD). Careless handling during repair can reduce life drastically.

When repairing, make sure that you are connected with the same potential as the mass of the set via a wrist wrap with resistance. Keep components and tools also at this potential.

**ESD****(NL) WAARSCHUWING**

Alle IC's en vele andere halfgeleiders zijn gevoelig voor electrostatische ontladingen (ESD).

Onzorgvuldig behandelen tijdens reparatie kan de levensduur drastisch doen verminderen. Zorg ervoor dat u tijdens reparatie via een polsband met weerstand verbonden bent met hetzelfde potentiaal als de massa van het apparaat.

Houd componenten en hulpmiddelen ook op ditzelfde potentiaal.

**(F) ATTENTION**

Tous les IC et beaucoup d'autres semi-conducteurs sont sensibles aux décharges statiques (ESD).

Leur longévité pourrait être considérablement écourtée par le fait qu'aucune précaution n'est prise à leur manipulation.

Lors de réparations, s'assurer de bien être relié au même potentiel que la masse de l'appareil et enfiler le bracelet serti d'une résistance de sécurité.

Veiller à ce que les composants ainsi que les outils que l'on utilise soient également à ce potentiel.

**(D) WARNUNG**

Alle ICs und viele andere Halbleiter sind empfindlich gegenüber elektrostatischen Entladungen (ESD).

Unsorgfältige Behandlung im Reparaturfall kann die Lebensdauer drastisch reduzieren.

Veranlassen Sie, dass Sie im Reparaturfall über ein Pulsarmband mit Widerstand verbunden sind mit dem gleichen Potential wie die Masse des Gerätes.

Bauteile und Hilfsmittel auch auf dieses gleiche Potential halten.

**(I) AVVERTIMENTO**

Tutti IC e parecchi semi-conduttori sono sensibili alle scariche statiche (ESD).

La loro longevità potrebbe essere fortemente ridotta in caso di non osservazione della più grande cauzione alla loro manipolazione.

Durante le riparazioni occorre quindi essere collegato allo stesso potenziale che quello della massa dell'apparecchio tramite un braccialetto a resistenza.

Assicurarsi che i componenti e anche gli utensili con quali si lavora siano anche a questo potenziale.

**(GB)**

Safety regulations require that the set be restored to its original condition and that parts which are identical with those specified, be used.

"Pour votre sécurité, ces documents doivent être utilisés par des spécialistes agréés, seuls habilités à réparer votre appareil en panne".

**(NL)**

Veiligheidsbepalingen vereisen, dat het apparaat bij reparatie in zijn oorspronkelijke toestand wordt teruggebracht en dat onderdelen, identiek aan de gespecificeerde, worden toegepast.

**(F)**

Les normes de sécurité exigent que l'appareil soit remis à l'état d'origine et que soient utilisés les pièces de rechange identiques à celles spécifiées.

**(GB) Warning !**

Invisible laser radiation when open.  
Avoid direct exposure to beam.

**(D)**

Bei jeder Reparatur sind die geltenden Sicherheitsvorschriften zu beachten. Der Originalzustand des Geräts darf nicht verändert werden; für Reparaturen sind Original-Ersatzteile zu verwenden.

**(S) Varning !**

Osynlig laserstrålning när apparaten är öppnad och spårren är urkopplad. Betrakta ej strålen.

**(I)**

Le norme di sicurezza esigono che l'apparecchio venga rimesso nelle condizioni originali e che siano utilizzati i pezzi di ricambio identici a quelli specificati.

**(SF) Varoitus !**

Avatussa laitteessa ja suojalukituksen ohitettaessa olet alltiina näkymättömälle laserisäteilylle. Älä katso säteeseen!

"After servicing and before returning set to customer perform a leakage current measurement test from all exposed metal parts to earth ground to assure no shock hazard exist. The leakage current must not exceed 0.5mA."

**(DK) Advarse !**

Usynlig laserstrålning ved åbning når sikkerhedsafbrydere er ude af funktion. Undgå udsættelse for strålning.

**CONTENTS**      **INTRODUCTION**      **INSTALLATION**

English

- Introduction* ..... 4
- Installation* ..... 4 - 5
- Functional Overview* ..... 6 - 8
- Playback* ..... 9 - 13
- Programming* ..... 13
- Edit* ..... 14 - 15
- Additional Information* ..... 15 - 16
- Troubleshooting* ..... 16

**Thank you for selecting the Philips CDC 775 Compact Disc Changer.**  
 A Compact Disc Changer of the state-of-the-art Philips 700 series, the CDC 775 combines supreme playback quality with a high degree of user-friendliness by offering the following possibilities:

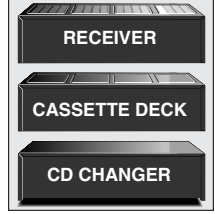
- **able to play CD-RW disc;**
- changing CDs during play;
- quick access to a particular CD by means of QUICK PLAY;
- storing 40 tracks from different CDs in any desired order in the changer memory;
- storing the required recording time and playing time in the EDIT mode.

**Power Supply Setting**

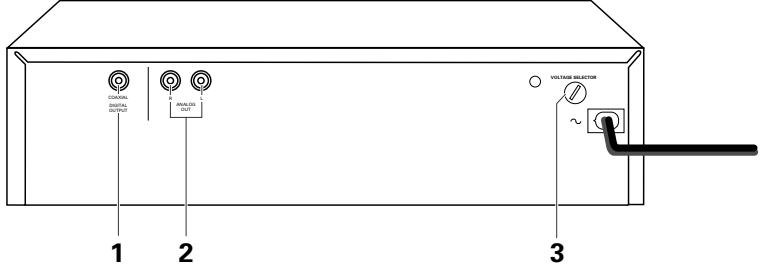
- Check that the type plate on the rear of your changer indicates the correct supply voltage.
- If your mains supply voltage is different, consult your dealer or our Service Organisation.

**Siting the Compact Disc Changer**

- Free standing**
- Always position the changer horizontally on a flat, firm surface.
  - Allow a free space of at least 3 cm above the changer so as not to interfere with the cooling of the changer.
- In an audio rack**
- The changer can be sited in any desired position.
- Stacked**
- Site the changer preferably at the bottom or at the top.
  - Never position the changer directly on top of a high-power amplifier, as such an amplifier gives off a substantial amount of heat.



**INSTALLATION**

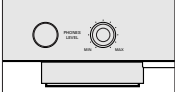


**Connections**

- 1 Digital Out**  
 This output supplies digital signal and can therefore only be connected to an input which is suitable for this signal. Use here a lead with one cinch plug on either end.  
**Never connect this socket to a non-digital input of an amplifier, such as AUX, CD, TAPE, PHONO etc!**
- 2 Analog Out**  
 For the connecting cable to the amplifier.
- Insert a red plug into the 'R' socket and the other plug into the 'L' socket.
  - Insert the two other plugs into the corresponding sockets of the CD or AUX input of your amplifier. You can also use the TUNER or TAPE IN connection, but never the PHONO input!

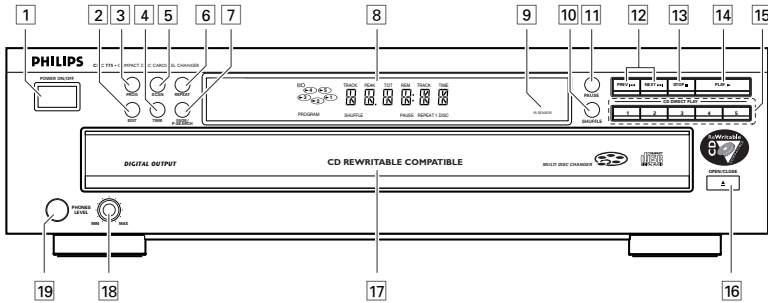
**3 Voltage Selector** (*not for all versions*)  
 Before connecting the AC power cord to the wall outlet, make sure that the voltage selector at the rear of the system is set to the local power line voltage. If not, reset the selector before connecting to the wall outlet.

**Connecting Headphones**

- Connect headphones with a 6.3 mm jack plug to the PHONES socket.
  - The sound level is adjusted with the LEVEL control.
- 
- Note:*  
 – The volume control on the remote control must not be at the minimum level.

**FUNCTIONAL OVERVIEW**

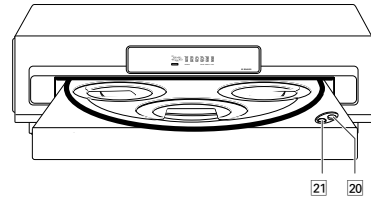
English



- 1 POWER-ON/ OFF**  
Switching on and off.
- 2 EDIT**  
Activating the EDIT function when making a recording.
- 3 PROGRAM**  
Opening the memory when compiling a program.
- 4 TIME**  
Selecting the information you want to see on the display.
- 5 SCAN**  
Automatically playing the beginning of each track.
- 6 REPEAT**  
Repeating play.
- 7 FADER**  
Fading in and out during play.  
**PEAK SEARCH**  
Searching the loudest passage (peak) on a CD or in a program when making a tape recording.

- 8 DISPLAY**  
Informs you about the functioning of the player.
- 9 I(nfra) R(ed) SENSOR**  
Receives the signals from the remote control.
- 10 SHUFFLE**  
Playing in random order.
- 11 PAUSE II**  
Interrupting play.
- 12** ◀ ▶  
- Selecting another track during play.  
- Selecting a track to start play with.  
- Selecting tracks when compiling a program.  
- Fast search to a particular passage during play.  
- Selecting the recording mode during edit.  
- Selecting the recording time during edit.
- 13 STOP ■**  
- Stopping play.  
- Cancel a Program, Peak Search or Edit.
- 14 PLAY ▶**  
- Starting play.  
- Returning to the beginning of a track.

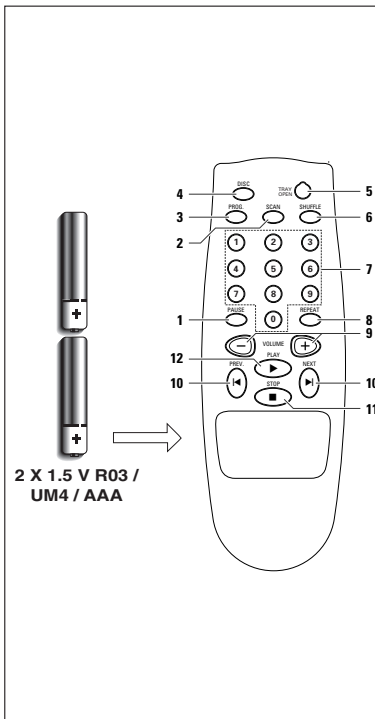
- 15 CD DIRECT PLAY**  
- Selecting another CD during play.  
- Selecting a CD to start play with.  
- Selecting CDs when compiling a Program, Peak Search or Edit.
- 16 OPEN/CLOSE**  
Opening and closing the CD compartment.
- 17 CD CAROUSEL TRAY**
- 18 LEVEL**  
Adjusting the volume when listening with headphones.
- 19 PHONES**  
Connecting headphones.
- 20 QUICK PLAY**  
Immediate playing of a particular CD.
- 21 LOAD**  
Rotating the turntable in the CD compartment when inserting CDs.



**FUNCTIONAL OVERVIEW**

English

**Remote Control**



- 1 PAUSE II**  
Interrupting play.
- 2 SCAN**  
Automatically playing the beginning of each track.
- 3 PROG.**  
Opening the memory when compiling a program.
- 4 DISC**  
- Selecting another CD during play.  
- Selecting a CD to start play with.  
- Selecting CDs when compiling a Program, Peak Search or Edit.
- 5 TRAY OPEN**  
Opening and closing the CD compartment.
- 6 SHUFFLE**  
Playing in random order.
- 7 1 - 0 DIGIT KEYS**  
- Selecting another track.  
- Selecting a track to start play with.  
- Selecting tracks when compiling a program.
- 8 REPEAT**  
Repeating play.
- 9 - VOLUME +**  
Adjusting the sound level when the changer is connected via the ANALOG or DIGITAL OUT output to an amplifier or HiFi system without its own remote control. Also for adjusting the sound level on the headphones.
- 10** ◀ ▶ **PREV. / NEXT ▶**  
- Selecting another track during play.  
- Selecting a track to start play with.  
- Selecting tracks when compiling a program.  
- Fast search to a particular passage during play.  
- Selecting the recording mode during edit.  
- Selecting the recording time during edit.

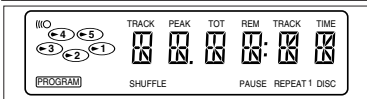
- 11 STOP ■**  
- Stopping play.  
- Cancel a Program, Peak Search or Edit.
- 12 PLAY ▶**  
- Starting play.  
- Returning to the beginning of a track.

The life of the batteries of the remote control is around one year. For replacement only use batteries of the type R03, UM4 or AAA.

## FUNCTIONAL OVERVIEW

English

### Display



⏻

- Lights up when the changer receives a command from the remote control.



#### 1 - 5 CD number indicator

- Lights up when you switch the changer on.
- Indicates the number of CDs in the CD compartment.
- Indicates what CD is being played (CD number flashes).

#### PROGRAM

- Flashes when a program is being compiled.
- Lights up when a program is being played.

#### TRACK

- what track is being played;
- the number of tracks on a CD or in a program.

#### PEAK

- Flashes when the loudest passage (peak) on a CD or in a program is being searched.
- Lights up when the loudest passage (peak) has been found.

#### TRACK TIME

- Indicates the elapsed playing time of the track being played.

#### REM(aining) TRACK TIME

- Indicates the remaining playing time of the track being played.

#### TOT(al) REM(aining) TIME

- Indicates the remaining playing time of a CD.

#### TOT(al) TIME

- Indicates the total playing time of a CD.

#### SHUFFLE

- Lights up when the tracks are played in random order.

#### PAUSE

- Lights up when play is interrupted.

#### REPEAT 1

- Lights up when you repeat a track.

#### REPEAT DISC

- Lights up when you repeat a CD.

#### REPEAT

- Lights up when you repeat all CDs or a program from them.

#### Display messages:

*REAd* – Lights up when a CD's contents list is being scanned.

*NO d ISC* – Lights up when there are no CDs in the CD compartment.

*WRONG tRACK* – Lights up when you select a non-existent track number.

*WRONG d ISC* – Lights up when you select a non-existent CD number.

*SELEct d ISC* – Lights up when you try to activate a function for which you must first select a CD number.

*INSErt d ISC* – Lights up when you give a play command while the CD compartment is empty.

*CD tO StOP* – Lights up if you try to activate a function for which you must first stop play.

*NORMAL* – Lights up when the player is put into the EDIT mode.

8

## PLAYBACK

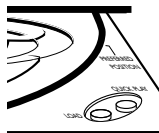
### Inserting the CDs

#### NOTE!

Use only audio CD; audio CD-R or audio CD-RW.



- Press **POWER-ON/OFF** to switch the changer on.
- The changer will now start CD detection to check how many CDs there are in the CD compartment. The turntable will rotate slowly until all positions (1 - 5) in the CD compartment have been checked.
- The position which is being checked is always shown on the display (*d ISC* \*).
- After CD detection the 1 - 5 CD number indicator will show the number of CDs in the CD compartment.
- Open the CD compartment by pressing **OPEN/CLOSE**.
- *OPEN* lights up.
- Insert the CDs, **printed side up**; use the **LOAD** button to rotate the turntable in the CD compartment.
- Close the compartment by pressing **OPEN/CLOSE**.
- *CDSE* lights up. The changer will start CD detection again.

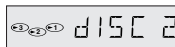


#### NOTE!

- CD detection may never be interrupted. If, during detection, you press any button, then the changer will stop detection and the display will give an incorrect indication of the number of CDs in the CD compartment.
- **Always** remove all CDs from the CD compartment if you want to transport the changer.

### Normal Playback (PLAY ►)

- The display shows the number of the current CD.



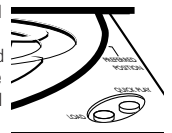
- Press **PLAY ►** to start playback.
- The CD number indicator (1-5) always shows what CD is being played (► \* flashes).
- The track being played and its elapsed playing time are shown under TRACK and TRACK TIME. See 'CALLING UP INFORMATION ON THE DISPLAY' if you wish to see other information on the display.



- Play will stop after all CDs have been played.
- Press **POWER-ON/OFF** to switch the changer off.

### Quick Play

- Use the **PREFERRED POSITION** in the CD compartment if you wish to insert only one CD and then start play by pressing the **QUICK PLAY** button. Play will then start immediately with the inserted CD.



#### NOTE!

- You can also press **PLAY ►** immediately after inserting the CDs; the compartment then closes automatically and play starts from the first available CD.
- You can interrupt playback by pressing **PAUSE II**. **PAUSE** then lights up. Press **PLAY ►** or **PAUSE II** to restart.
- If you press **PLAY ►** during play, the current track will start again from the beginning.
- You can stop playback by pressing **STOP ■**.
- If you press **OPEN/CLOSE** during play, the CD compartment will open while play continues. The three CDs outside the changer may now be changed without playback being interrupted.

English

9

## PLAYBACK

English

### Selecting Another Track During Play (◀◀ ▶▶)

- Press ▶▶ or ◀◀ (less than 0.5 seconds) until the desired track number appears under TRACK.



- The music stops and a moment later the selected track begins to play.

WRONG TRACK lights up when you select a non-existent track number.

### Selecting Another CD During Play (CD DIRECT PLAY)

- Key in the desired CD number.
- The music stops and a moment later the selected CD begins to play.

WRONG DISC lights up if you select a non-existent number.

You can also select the number by using the DISC button on the remote control.

### Searching For A Passage During Play (◀◀ ▶▶)

- Hold ◀◀ down to search backwards to the beginning.
- Hold ▶▶ down to search forwards to the end.

The searching speed is determined by how long a key is pressed:

- the first 2 seconds fairly slowly, with sound;
- then at the maximum speed, with no sound.

If you reach the end of the last track and release ▶▶, play will resume a few seconds before the end of the CD.

### Starting With A Particular CD (CD DIRECT PLAY)

- Key in the required CD number.
- If the CD compartment was open, it will now close.
- Play starts from the selected CD.

WRONG DISC lights up if you select a non-existent number.

You can also select the number by using the DISC button on the remote control.

### Starting With A Particular Track (CD DIRECT PLAY, ◀◀ ▶▶ and PLAY ▶)

- First select the number of the required CD using CD DIRECT PLAY or DISC on the remote control.
- If the CD compartment was open, it will now close.
- Then select the (track) number by using ▶▶ or ◀◀ (press less than 0.5 seconds).
- Press PLAY ▶.
- Play starts from the selected track.

WRONG TRACK lights up when you select a non-existent track number.

WRONG DISC lights up if you select a non-existent number.

### Scanning CDs (SCAN)

#### All CDs:

- Press SCAN before or during play.
- If the CD compartment was open, it will now close.
- SCAN lights up and the first 10 seconds of each track are played in turn (starting from the current track). 10 seconds are counted down each time under REM(aining) TRACK TIME.



- When the player reaches a track which you wish to hear in full, press SCAN again or PLAY ▶.

10

## PLAYBACK

English

### Playing In Random Order (SHUFFLE)

#### All CDs:

- Press SHUFFLE before or during play.
- If the CD compartment was open, it will now close.
- SHUFFLE lights up and all the tracks are now played in a random order.



- If you press ▶▶, you will select any one of the following tracks.
- Press SHUFFLE again if you wish to return to normal play.

#### NOTE!

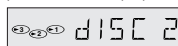
- If, during play, you open the CD compartment to change CDs (see 'NORMAL PLAYBACK') then playback in random order will be cancelled. Playback will stop as soon as the last track of the current CD has been played (in normal order).

### Calling Up Information On Display (TIME)

#### In STOP mode:

##### Text display

- After loading the CDs and closing the CD compartment, the display shows the number of the CD to be played (= default display in STOP mode).



- Press TIME to show the number of tracks and the total playing time of the current CD (TOTAL TIME).



#### During play:

##### 1. Time display

- When you start play (from STOP mode), the display shows the elapsed playing time of the current track (= default display in PLAY mode).



- Press TIME whenever you want to know the remaining playing time of the current track (REM TRACK TIME).



- Press TIME, if you wish to know the total playing time from the beginning (TOTAL TIME).



- Press TIME again if you wish to know the remaining playing time of the entire CD (TOTAL REM TIME).

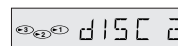


#### Note :

- TOTAL REM(aining) TIME and TOTAL TIME indications are not available in SHUFFLE mode.

### 2. Text display

- If you press TIME again, you will switch to text display; the display shows the number of the current CD.



- If you wish to know the total playing time of the entire CD you must go back to STOP mode first and then press TIME.
- The display now shows the number of tracks and the total playing time of the current CD (TOTAL TIME).

### Repeating Play (REPEAT)

#### Repeating a track:

- Press REPEAT before or during playback of the CD.
- REPEAT 1 lights up; the track will now be repeated continuously.



- Press REPEAT three times to stop the track being repeated.

#### Repeating a CD:

- Press REPEAT twice before or during playback of the CD.
- REPEAT DISC lights up; the CD will now be repeated continuously.



- Press REPEAT twice to stop the CD being repeated.

11



## PLAYBACK

English

**Note:**

- Repeating of a CD is not possible during shuffle or program mode.

**Repeating all CDs:**

- Press **REPEAT** three times before or during playback.
- REPEAT lights up; all CDs will now be repeated continuously.



- Press **REPEAT** again to stop the CDs being repeated.

**NOTE!**

- When a program has been stored (for one or more CDs), then only the program will be repeated.

**Searching For The Loudest Passage (PEAK SEARCH)**

- In STOP mode, press **PEAK SEARCH**.
- **SELECT d ISC** lights up and PEAK starts flashing.
- Press **PEAK SEARCH** again to select the last selected disc or press any **CD DIRECT PLAY** button or **DISC** (on the remote control) to select the desired disc.
- The CD will now be scanned for the loudest passage (the peak).
- The display shows the track being scanned and its elapse playing time.



- When the loudest passage has been found it will be repeated continuously (from 2 seconds before the peak until 2 seconds after the peak) and PEAK lights up.
- You can now adjust your recording device.
- You can stop the scan by pressing **STOP** ■: if you press **PLAY** ►, the CD will be played from the beginning.

**NOTES!**

- When searching for the loudest passage in a program (from one or more CDs) there is no need to enter the CD number(s).
- If you wish to record tracks from different CDs you have to repeat peak search for each CD.
- You can interrupt PEAK SEARCH by pressing **STOP** ■.

**Adjusting The Sound Level****(– VOLUME +) (on the remote control only)**

The volume output of the CD changer can be adjusted. This will affect the analog out, digital out and headphones level.

- Press **VOLUME –** or **+** to reduce or increase the sound level.
- The display will show a value between **VOL 0** and **VOL 20**.

**Important!**

**The volume level will influenced the sound level during recording. Set the volume level to the maximum and do not change the volume setting during recording.**

**Locking the volume**

This unique feature allows you to lock the volume level when listening to the headphones or doing recording.

- Press **EDIT** for more than 2 seconds.
- The displays will show **VOL LOCK**.

**Unlocking the volume**

- Press **EDIT** for more than 2 seconds.
- The displays will show **VOL 20**.

**Note:**

- When you adjust the volume and the display shows **VOL LOCK**, it means that the volume is in the lock mode.

**Listening to the headphones**

- Connect the headphones to the PHONES socket.
- Adjust the headphones sound level with the LEVEL control.

**Note:**

- Should there be no sound after adjusting the LEVEL control to maximum; press **VOLUME +** on the remote control to increase the sound level.

12

## PLAYBACK

**Activating The Fade-In And Fade-Out Function (FADER)****NOTE!**

- The **FADER** function can be used if the changer is connected to the amplifier or the system via the **ANALOG OUT** output.

- During play press **FADER**.
- The sound level will now gradually decrease (FADE OUT), after which the changer will go into the PAUSE mode.

**FADe** ≡ → **FADe** = → **FADe** -

- Press **FADER** again.
- Play continues and the sound level will increase again to the originally set level (FADE IN).

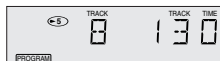
**FADe** - → **FADe** = → **FADe** ≡

## PROGRAMMING

**Storing A Program (PROGRAM)**

- By programming the changer you can play up to 40 tracks in any required sequence.
- **FULL** lights up if you exceed the maximum of 40 tracks.
- **WRONG d ISC** lights up if you select a non-existent CD number.

- In STOP mode, press **PROGRAM** to open the memory.
- **SELECT d ISC** lights up and PROGRAM starts flashing.
- Press **PROGRAM** again to select the last selected disc or press any **CD DIRECT PLAY** button or **DISC** (on the remote control) to select the desired disc.
- Press **►►1** or **1◄◄** (less than 0.5 seconds) until the first track number you wish to program appears under TRACK.
- Press **PROGRAM** again.



- The track number has now been stored in the changers memory.
- Select the other track numbers required and store each track by pressing **PROGRAM**.
- The number of tracks and the playing time of your program will be shown under TRACK and TOT(al) TIME.
- Press **STOP** ■ to quit the PROGRAM mode.

**Note:**

- If the total playing time is more than "99:59", then "-:-" appears in the display instead of the total playing time.

**Playing The Program (PLAY ►)**

- Press **PLAY** ►.
  - Playback starts with the first number of the program.
- The PROGRAM and EDIT buttons cannot be used during programmed play. Search for a particular passage is only possible within the track being played.

**Erasing A Program (STOP ■ or OPEN/CLOSE)****In PLAY mode:**

- Press **OPEN/CLOSE** or **STOP** ■ (twice).

**In STOP mode:**

- Press **OPEN/CLOSE** or **STOP** ■.
- The program has now been erased.

English

13

## EDIT

English

The EDIT function has two recording modes in which you can store the recording time in the changer memory.

**EDIT NORMAL** – The changer will determine which tracks fit on each side of the tape and will stop after the last track. The tracks will be recorded in the order in which they appear on the CD(s).

**EDIT OPTIMAL** – The changer now calculates the combination of tracks that will optimize the use of available recording time.

### NOTE!

- The EDIT function **cannot** be used for CDs containing more than 40 tracks.
- The – VOLUME + keys on the remote control may not be used during recording as they affect the strength of the signal from the changer.

### Before Recording

#### Important!

**The volume level will influence the sound level during recording. Set the volume level to the maximum and do not change the volume setting during recording.**

#### Preparation:

- A program to be recorded, must be stored in advance. See 'PROGRAMMING'.
- If required you can search the loudest passage and adjust your recording device. See 'SEARCHING THE LOUDEST PASSAGE (PEAK SEARCH)'. This can also be done after selecting the recording mode and the recording time. See below.

- Press **EDIT** to activate the EDIT mode.
- *SELEKTE DISC* appears on the display.
- Press **EDIT** again to select the last selected disc or press any **CD DIRECT PLAY** button or **DISC** (on the remote control) to select the desired disc. When recording a program there is no need to enter the CD number(s).

#### Selecting the recording mode:

- The display shows *NORMAL* (= EDIT NORMAL which is the default setting).
- With **◀◀ ▶▶** can now select OPT(imal), CANCEL or EDIT (NORMAL) again.
- The display shows *OPT(imal)*, *CANCEL* or *EDIT* or *NORMAL* again.
- Press **EDIT** to store the required recording mode (NORMAL or OPTimal). If you select CANCEL, the EDIT mode will be cancelled and the changer will go back to STOP mode.
- As soon as you have stored the recording mode the display shows *EDIT* (default setting).

#### Selecting the recording time:

- As soon as you have stored the recording mode the display shows *EDIT* (default setting).
- With **◀◀ ▶▶** you can now select the required recording time: *30, 45, 60, 90, 100, 120, 130, 145, 160, 180, 190, 210, 220, 240, 255* or *270*. In EDIT NORMAL mode the recording time must be at least equal to the playing time of the first track on the first CD or in the program. In EDIT OPTimal mode the recording time must be at least equal to the playing time of the shortest track on the CD(s) or in the program.

- *NOT POSSIBLE* lights up if you select a 'wrong' time.

- Press **EDIT** to store the required recording time.
- The CD changer will now go back to STOP mode
- You can now record the CD or the program.

### Recording

- Press **PLAY ▶**.
- Playback starts with the selected CD (or with the first track of the program).
- The display shows the elapsed playing time of the current track.
- Press **TIME** to switch to other time display information.
- The number of tracks for side A and their playing time are shown on the display.



- After the last track that fits on side A of the tape, the CD changer will go into PAUSE mode.
- PAUSE lights up.
- Under TRACK you will see the number of the first track to be recorded on side B of the tape.



- Turn the tape over or select the tape travel direction for side B.

## EDIT

- Press **PLAY ▶**.
- The remaining tracks will now be played.
- After the last track play will stop; *EDIT CANCELLED* lights up.

### NOTE!

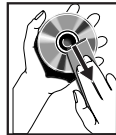
- As soon as you press **PLAY ▶** the other changer functions will temporarily be switched off to prevent the recording being interfered with; *EDIT ACTIVE* lights up if you press one of the other buttons during recording.
- You can quit the EDIT mode by pressing **STOP ■** or **OPEN/CLOSE**; *EDIT CANCELLED* then lights up.
- *EDIT NOT POSSIBLE* lights up if you try to record a CD containing more than 40 tracks.
- Should the CD or the program be longer than the total recording time of the tape, play will stop after the last track that fits onto side B of the tape.
- Should the first track of the first CD or the program be longer than one side of the tape (= the entered recording time divided by two), then *EDIT NOT POSSIBLE* will light up. You will now have to enter another recording time.

## ADDITIONAL INFORMATION

### Maintenance

#### The CDs

- Never write on the printed side of a CD.
- Do not attach any stickers to the CD.
- Keep the shiny surface of the disc clean. Use a soft lint-free cloth and always wipe the disc in a straight line from centre to edge.
- Never use cleaning agents for conventional records.
- Detergents or abrasive cleaning agents should not be used either.



#### The changer

- A chamois leather slightly moistened with water is sufficient for cleaning the changer.
- Do not use cleaning agents containing alcohol, spirits, ammonia or abrasives.

### Environmental Information

All unnecessary packaging material has been omitted. We have done our utmost to make the packaging easily separable into three mono-materials: cardboard (box), polystyrene foam (buffer) and polythene (bags, protective foam sheet).

Your system consists of materials which can be recycled and reused if disassembled by a specialized company. Please observe the local regulations regarding the disposal of packaging materials, exhausted batteries and old equipment.

English

## TROUBLESHOOTING

English

If a fault occurs, run through the points listed below before taking your changer for repair.  
If the fault remains, try to clear it by **switching the changer off and on again**. If this also fails to help, consult your dealer.

**Under no circumstances should you repair the changer yourself as this will invalidate the guarantee!**

**Playback does not start or interruption of playback.**

- The current CD has been loaded upside down.
- *Reload the CD, label side up.*
- No CDs inserted.
- *Insert the CDs, label side up.*
- The current CD is badly scratched or dirty.
- *Clean the CD with a soft, lint-free cloth.*
- Moisture condensation on the lens.
- *Leave the CD changer in a warm environment until the moisture evaporates.*

**Sound skips (at the same part).**

- The current CD is dirty.
- *Clean the CD with a soft, lint-free cloth.*

**The current CD skips tracks.**

- The CD is damaged or dirty.
- *Replace or clean the CD.*

**Playback does not start from the first track (of the current CD).**

- PRG (program) or SHUFFLE activated.
- *Switch off SHUFFLE or clear program.*

**No sound or bad sound.**

- Loose or wrong connections.
- *Check connections.*

- Strong magnetic fields near the CD changer.
- *Find another place for the unit or change connections.*

**No sound or bad sound on headphones.**

- Volume control on remote control is at minimum.
- *Increase the volume control level.*
- Level control set to – position.
- *Set level control.*
- Headphones plug is dirty.
- *Clean plug.*

**Volume is too low.**

- Sound level has been adjusted too low with the –VOLUME + keys on the remote control.
- *Adjust sound level.*

**Remote control does not function.**

- Batteries are empty.
- *Replace the batteries.*

**Remote control commands are not properly received.**

- The distance between remote control and CD changer is larger than 10 metres.
- *Reduce the distance between remote control and CD changer.*

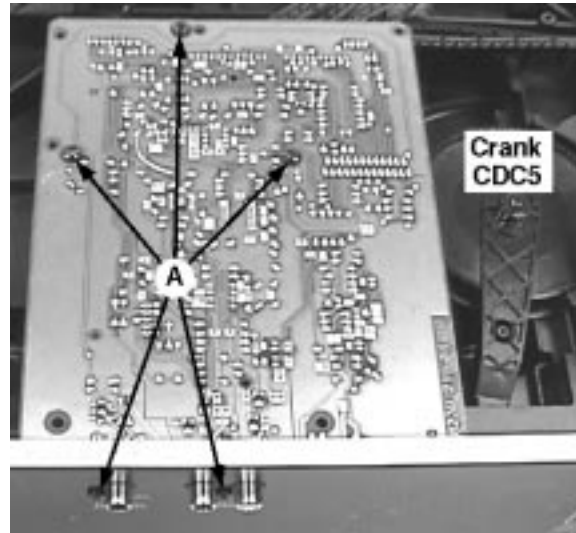
**"d 15C NOE F ARR 15Ed" is displayed.**

- The CD-RW (or CD-R) is not properly recorded for the use on a standard CD player.
- *Read the instruction booklet of your CD-Rewriteable (or CD-Recordable) recorder on how to finalise a recording.*
- The CD is badly scratched or dirty.
- *Replace or clean the CD.*

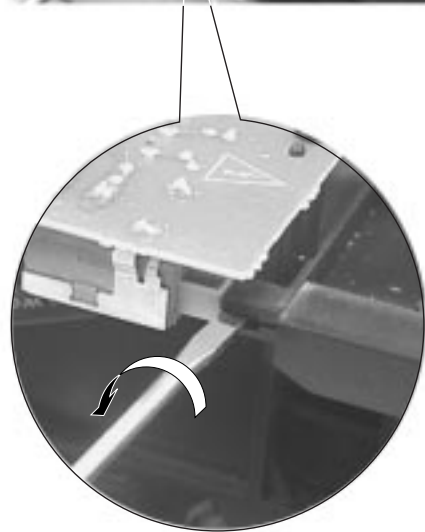
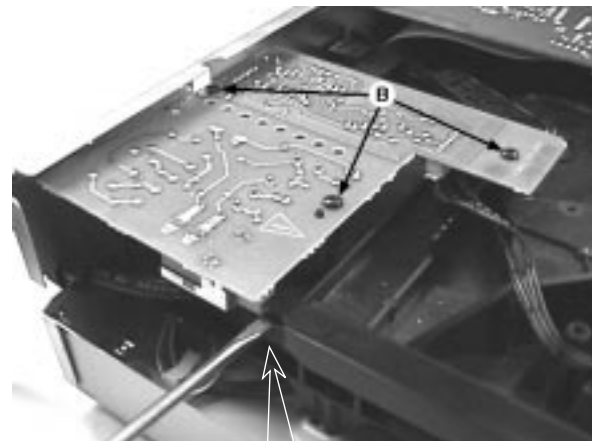
## DISMANTLING INSTRUCTIONS

### Dismantling of the DAC/AF board, Supply board and Front Panel Assembly

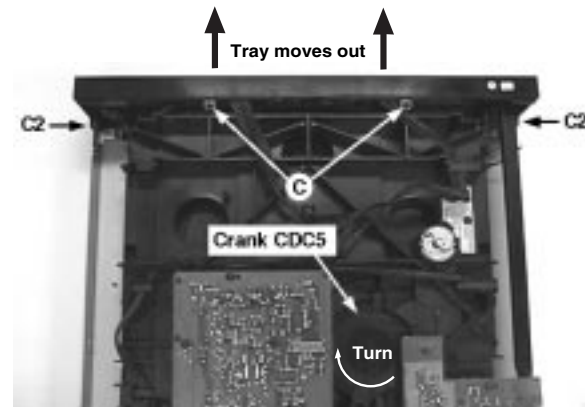
- 1) Remove the Top Cover (pos 151) by 8 screws.
  - 2 screws on each side
  - 4 screws from the rear
- 2) Remove the DAC/AF board by 5 screws A. Be careful not to damage flex cable.



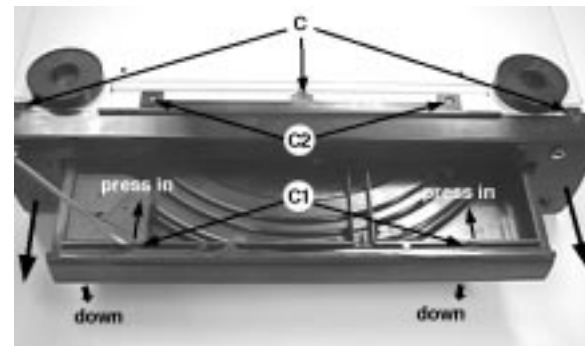
- 3) Remove the Supply board by 3 screws B and disconnect the Lever Power button (pos 6) as indicated.



- 4) Turn the crank CDC5 (pos 96) clockwise to slide out the tray assembly.

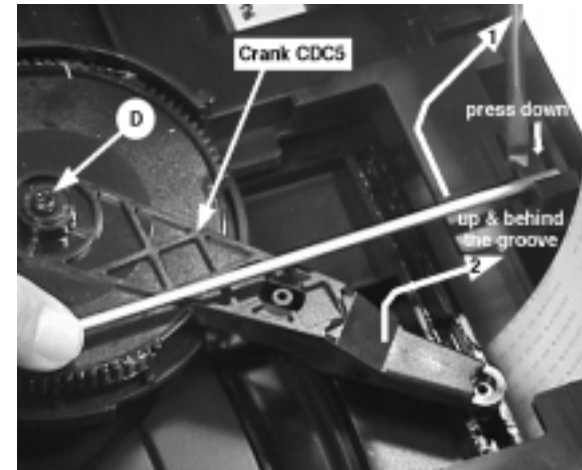


- 5) With the set upside-down, release the 2 catches C1 and remove the tray cover as indicated.
- 6) Loosen the Front Panel assembly from the bottom bracket (pos 181) by 5 screws C and 4 catches C2 as indicated.
  - 2 screws on top
  - 3 screws from the bottom side

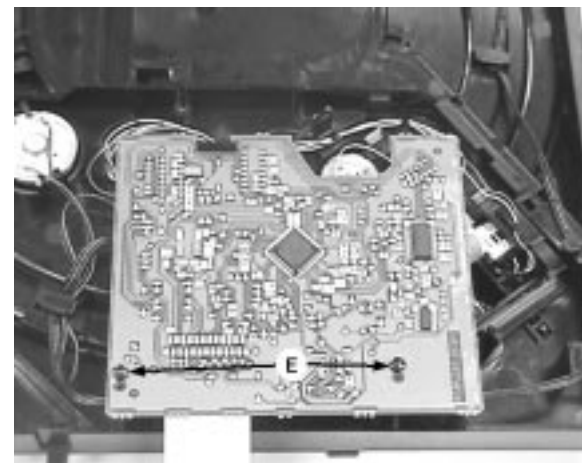


### Dismantling of the Tray Assembly and Servo board

- 1) Remove the Metal rod (pos 152) as indicated.
- 2) Loosen the Crank CDC5 (pos 96) with screw D and lift the crank arm out of the groove on the tray assembly. The complete tray assembly can be pulled out of the Frame (pos 93).

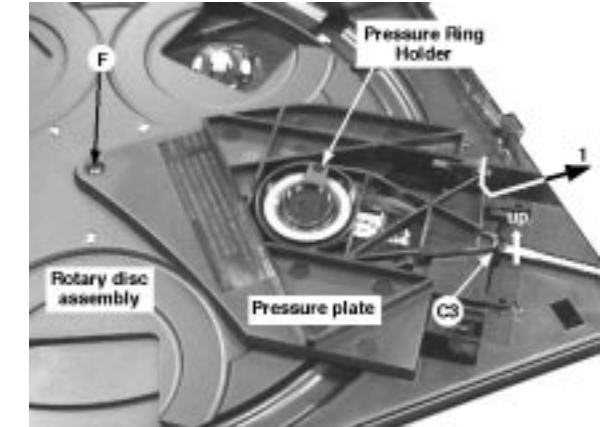


- 3) Remove the Servo board by 2 screws E.
- 4) Protect the CD mechanism's Laser against ESD by short-circuiting the flexfoil with a paper clip immediately upon disconnection from the flexfoil connector. (See Warning for more details)

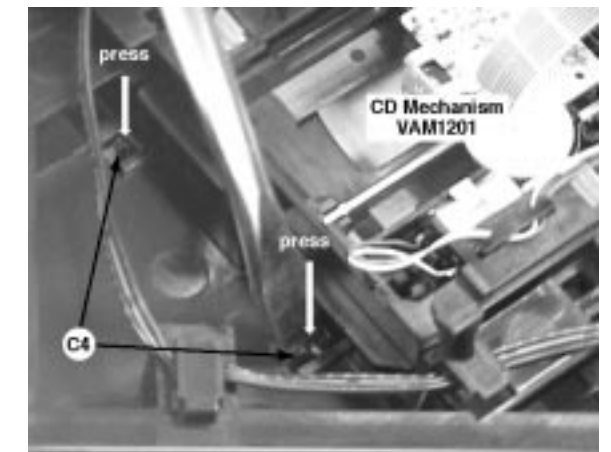


### Dismantling of the CD Mechanism

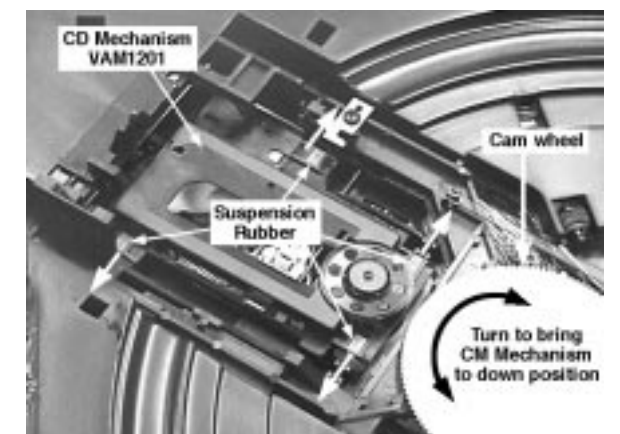
- 1) Loosen the Pressure ring holder (pos 90) by releasing catch C3 as indicated.
- 2) Remove the Pressure plate (pos 89) and Rotary disc assembly (pos 100) by 1 screw F.



- 3) Turn the Tray assembly upside-down and remove the CDM Lock (pos 99) by using a "minus" screw-driver to release 2 catches C4 as indicated.



- 4) With the Tray assembly facing up again, turn the cam wheel (pos 116) to bring the CD mechanism (pos 98) to the down position. Remove the CD mechanism by sliding out the 4 rubber suspension (pos 104 to 107).



**Assembly of the CD mechanism and Rotary disc CDC5**

- 1) Remove the 4 rubber suspension (pos 104-107) from the Support bracket (pos 114) and attached them on to the CD mechanism.
- 2) Place the CD mechanism with the rubber suspension above the mounting 4 holes.
- 3) Hold the CD mechanism in position and pull the tips of the rubber suspension through the holes in the Support bracket.



- 4) After assembly of the CD Mechanism, the Cam wheel (pos 116) and the Rotary disc (pos 100) must be re-aligned. This is done by positioning the Bearing (pos 101), pin on the Cam wheel and CD Mechanism in a straight line as indicated.
- 5) Assemble the Rotary disc onto the Bearing with the "1" printing mark facing the CD Mechanism.

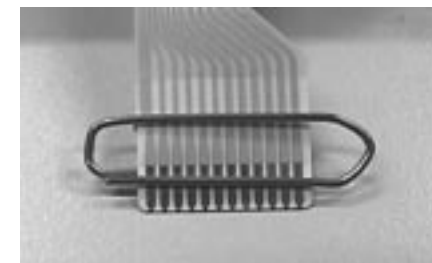
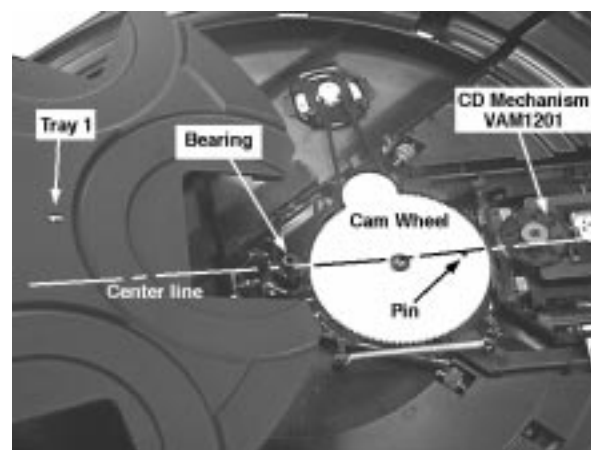


Figure 1

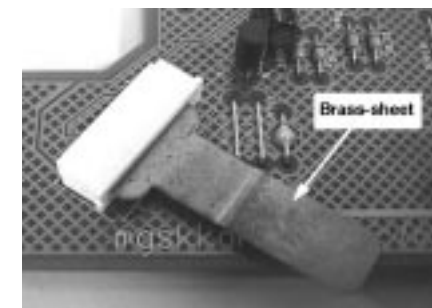


Figure 2

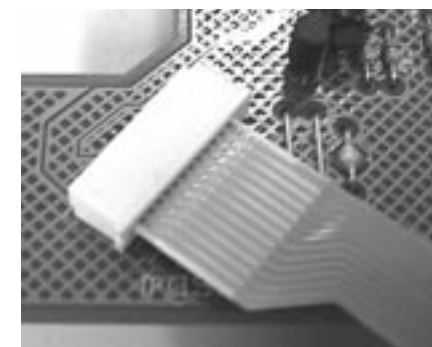


Figure 3

**Warning**

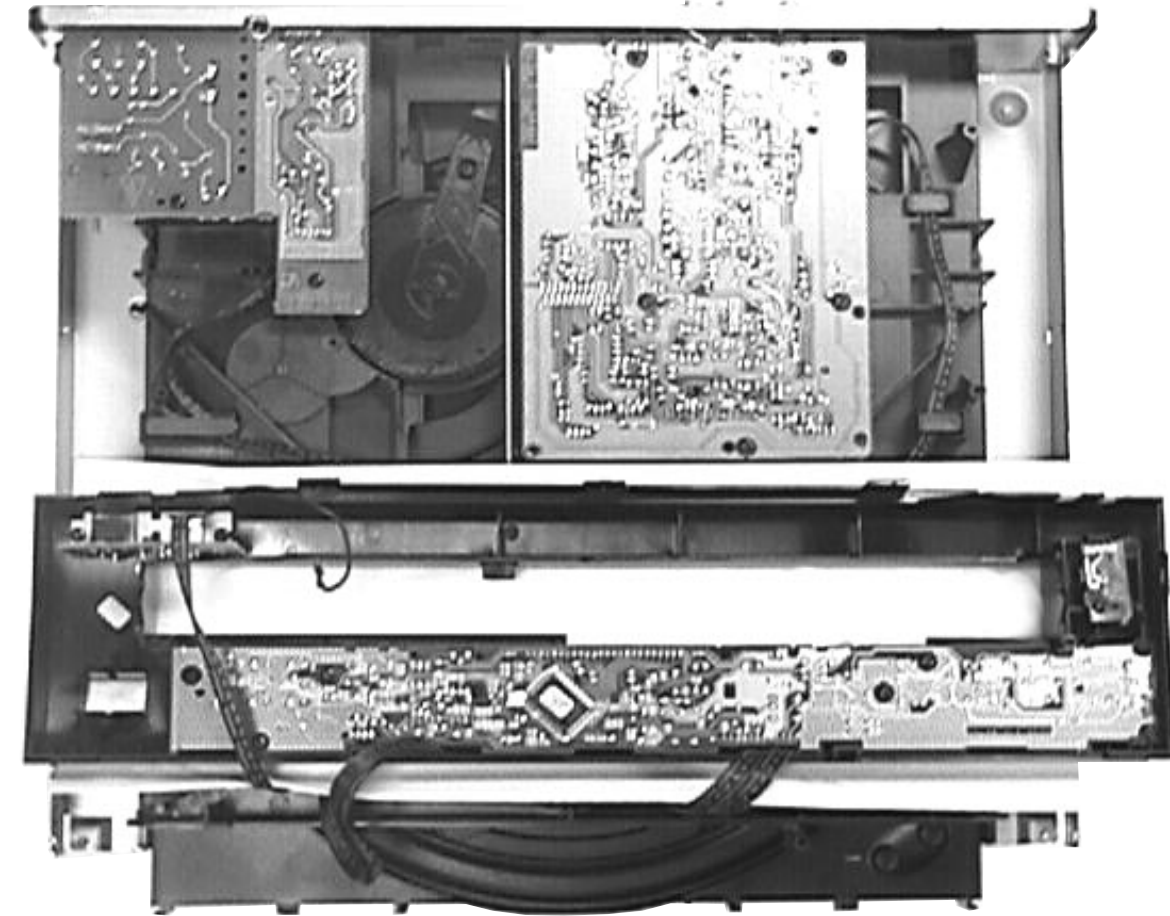
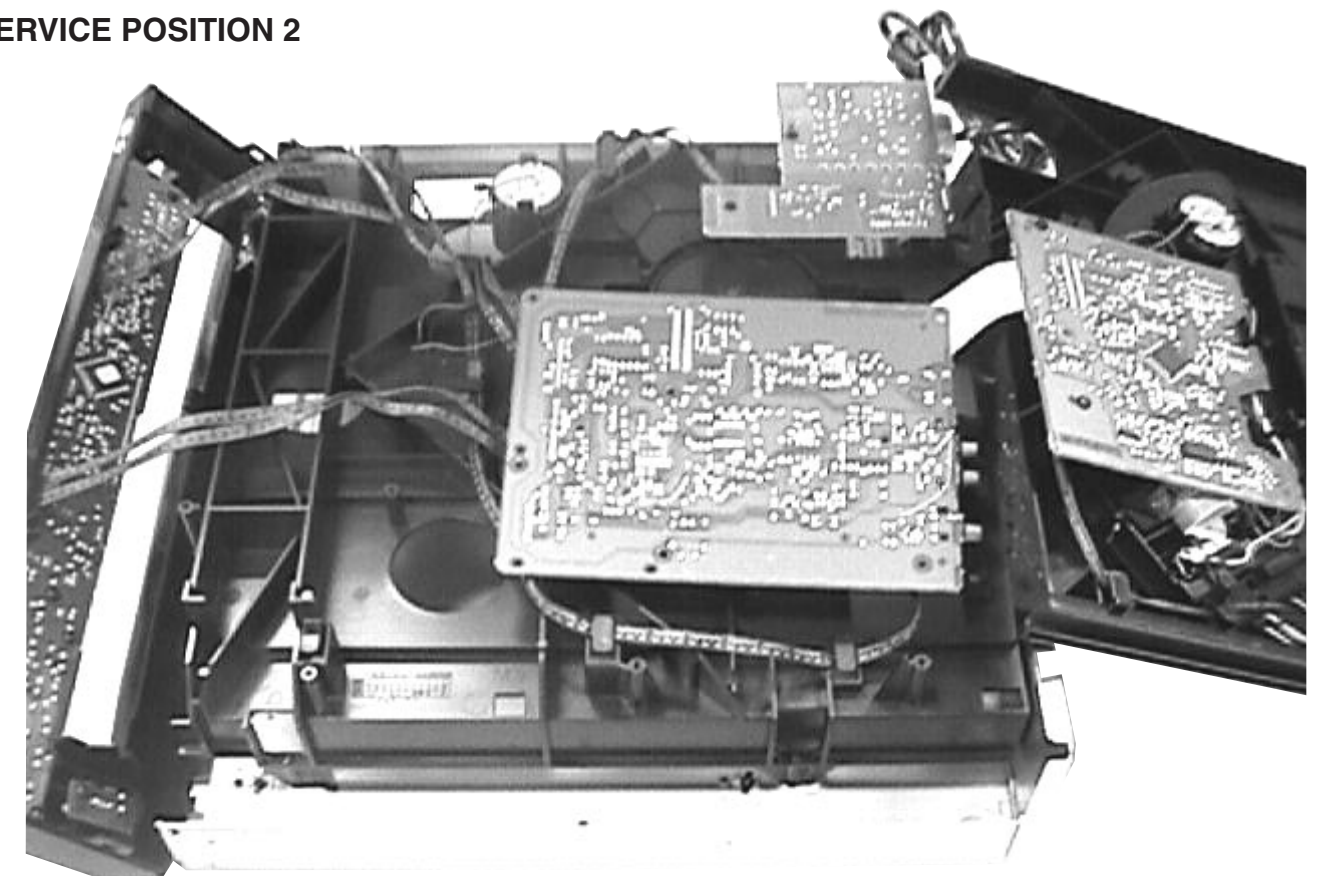
**Charged capacitors on the Servo board may damage the CD drive electronics when connecting a new CD mechanism. That's why, besides the safety measures like**

- \* **Switch off power supply**
- \* **ESD protection**

**Additional actions must be taken by the repair technician.**

The following steps have to be done when replacing the CD Mechanism:

- 1) Disconnect the old CD mechanism flexfoil from printed board.
- 2) Connect paperclip to CD mechanism flexfoil to short-circuit flexfoil (fig.1).
- 3) Short-circuit printed board with **brass-sheet (4822 321 11197)** plugged into the flexfoil connector (fig. 2).
- 4) Remove the old CD mechanism.
- 5) Assemble the new CD mechanism into position.
- 5) Remove short-circuit from printed board connector.
- 6) Remove short-circuit from flexfoil of new CD mechanism.
- 7) Connect new flexfoil to print connector (fig. 3).

**SERVICE POSITION 1****SERVICE POSITION 2**

**SERVICE TEST PROGRAM I**

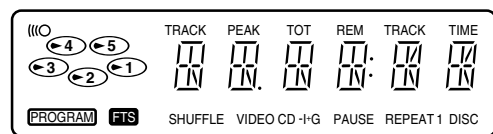
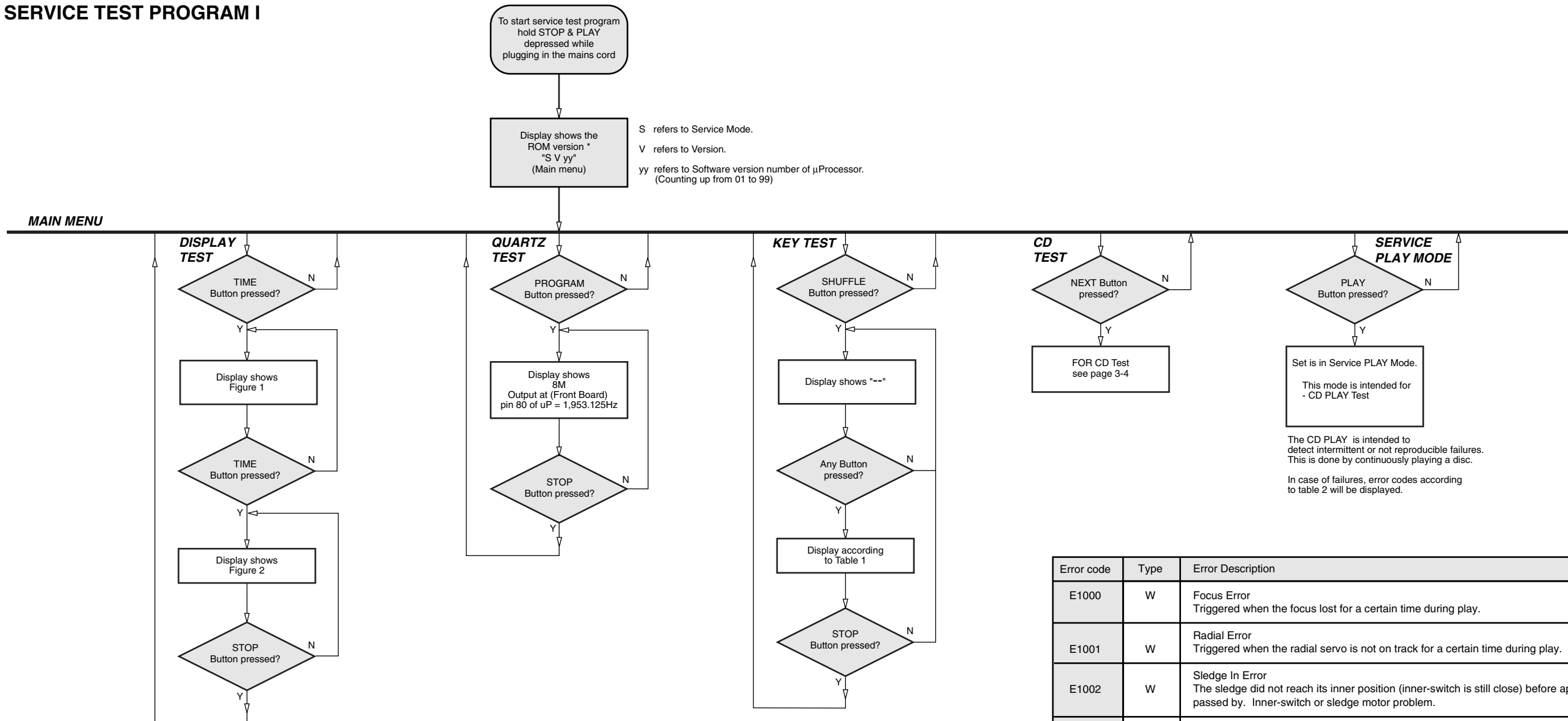


Figure 1

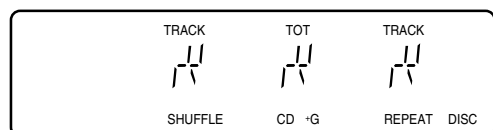


Figure 2

Keys activated	Display shows	Keys activated	Display shows	Keys activated	Display shows
No Key pressed	--	Pause	7	Disc 3	15
Any Remote control key	RC	Previous	8	Disc 4	16
Program	1	Next	9	Disc 5	17
Scan	2	Stop	Exit	Open/Close	18
Repeat	3	Play	11	Quick Play	19
Edit	4	Shuffle	12	Load	20
Time	5	Disc 1	13		
Fader	6	Disc 2	14		

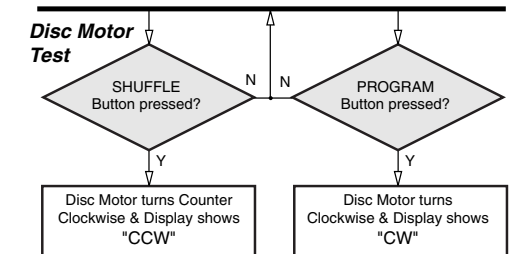
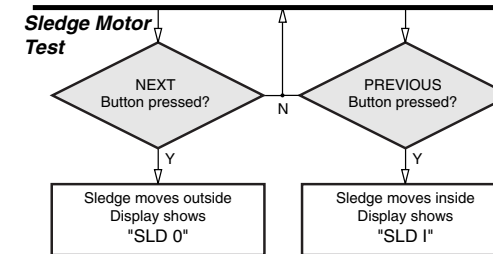
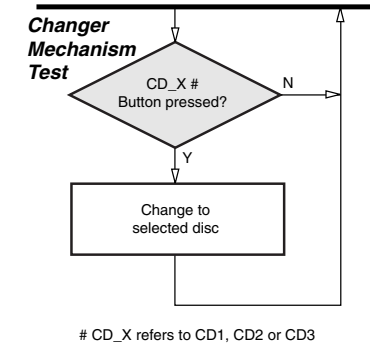
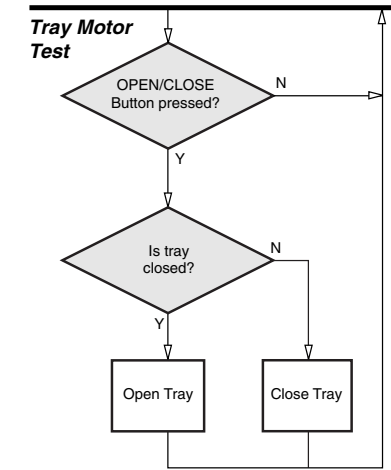
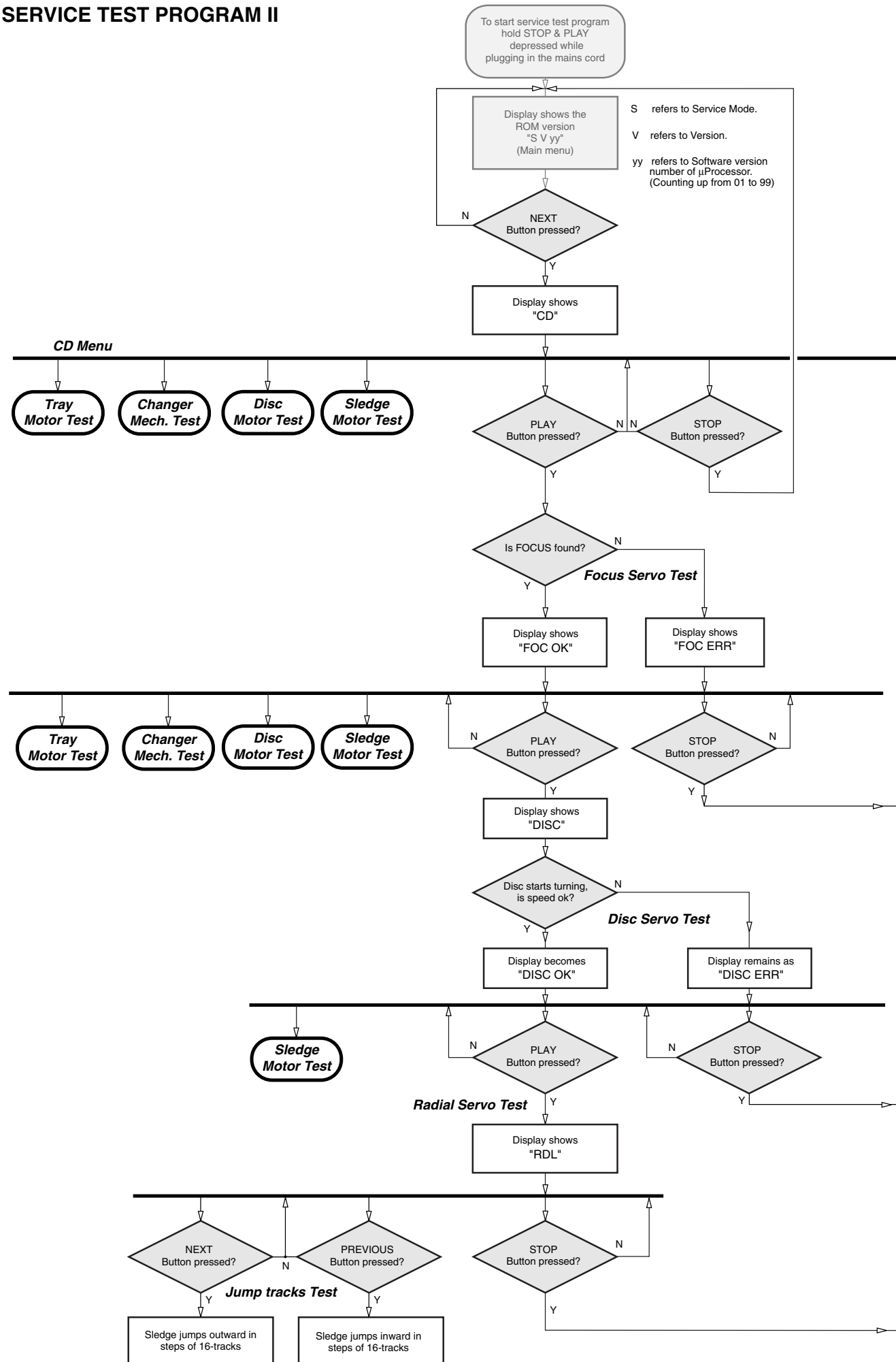
Table 1

Error code	Type	Error Description
E1000	W	Focus Error Triggered when the focus lost for a certain time during play.
E1001	W	Radial Error Triggered when the radial servo is not on track for a certain time during play.
E1002	W	Sledge In Error The sledge did not reach its inner position (inner-switch is still close) before approximately 6 Sec. have passed by. Inner-switch or sledge motor problem.
E1003	W	Sledge Out Error The sledge did not come out of its inner position (inner-switch is still open) before approximately 250 mSec. have passed by. Inner-switch or sledge motor problem.
E1005	W	Jump error Triggered in normal play when the jump destination could not be found within a certain time.
E1006	W	Subcode Error Triggered when a no valid subcode for a certain time during play.
E1007	W	PLL Error The Phase Lock Loop could not lock within a certain time.
E1008	W	Turntable Motor Error Generated when the CD could not reached 75% of speed during startup within a certain time. Discmotor problem.
E1020	F	Focus Search Error The focus point has not been found within a certain time.
E1070	W	The carousel switch is not open within certain time. This can happen when either the switch is defective and closed all the time, or when the carousel is blocked in between two disc positions. The time-out is approximately 5 seconds.
E1071	W	The carousel position switch did not close within a certain time. This can happen when the switch is defective and never closes electrically, or when the carousel is blocked in between two disc positions. The time-out is approximately 5 Sec.
E1079	W	The drawer could not enter the inside position and is opening again. This can be caused because the drawer is blocked by something and cannot go fully inside, or the drawer switch is defective and does not close.

F = Fatal error & the set stop play function W = Warning

Table 2

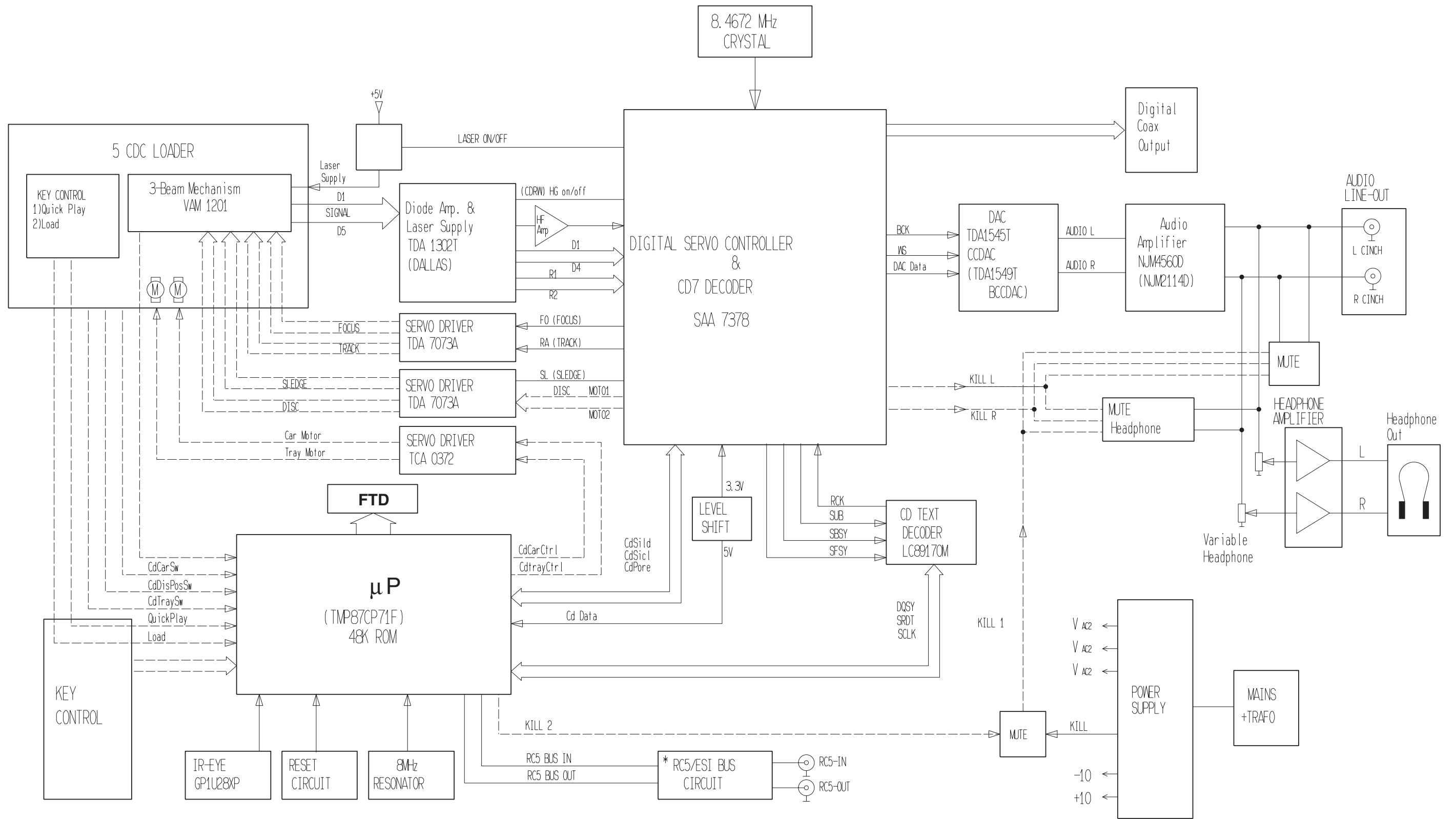
**SERVICE TEST PROGRAM II**



Note: In software version 15 and below there are some slight problems in the Service Program for the CD Test which will be resolved by running change. The problems are:

- 1) If the Tray Motor test is done with the Tray in the open position, the tray will close only after the pressing the Open/Close button twice.
- 2) If this test is performed after the Tray Motor Test, the tray may not change as selected. The test will resumed correctly if CD test is quit and restarted.
- 3) After performing the Sledge Motor Test or Disc Motor Test the set will return automatically to the "CD Menu".

# SET BLOCK DIAGRAM

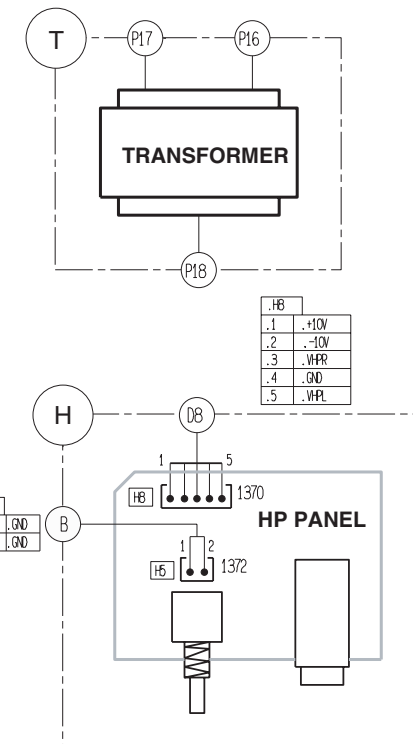
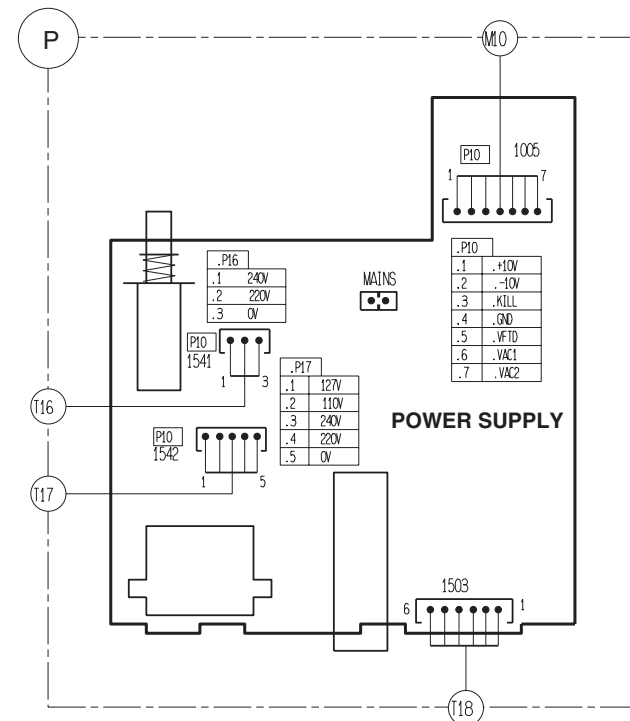
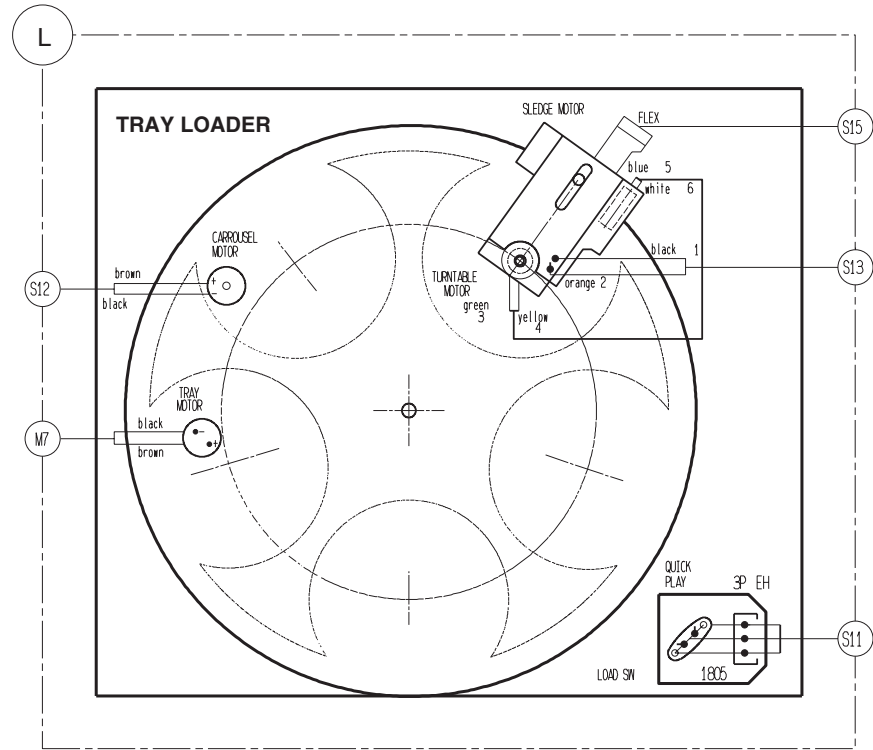


3139 119 30820 dd wk8530

\* NOT USED FOR CDC775 FAMILY.

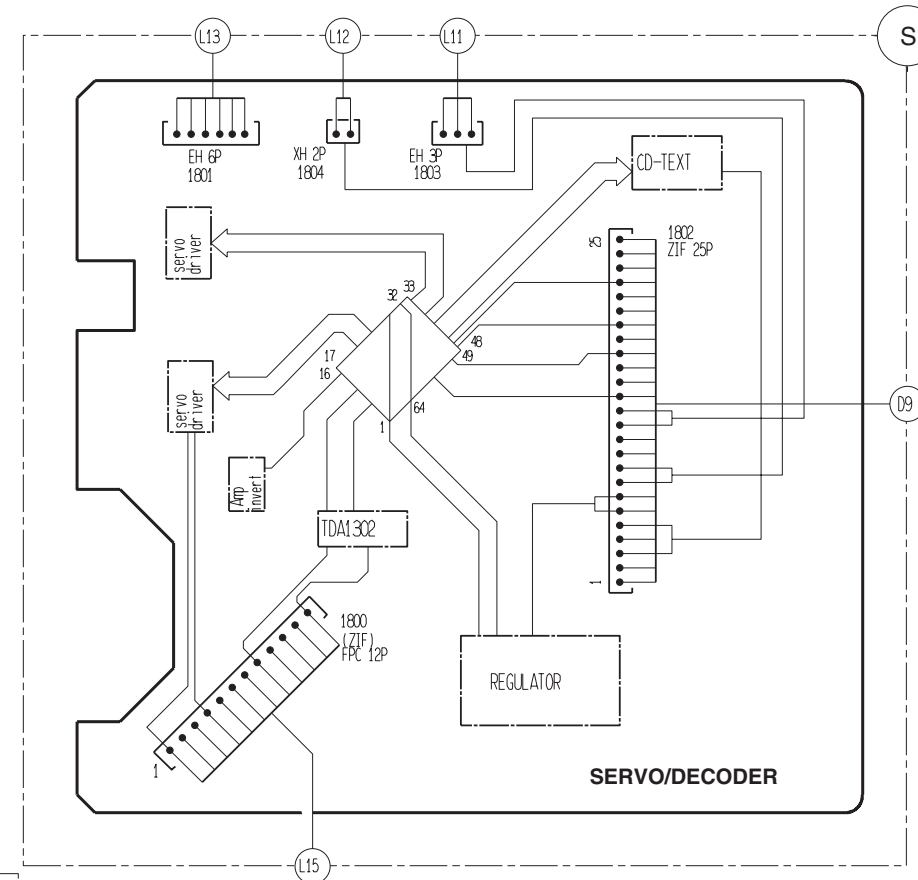
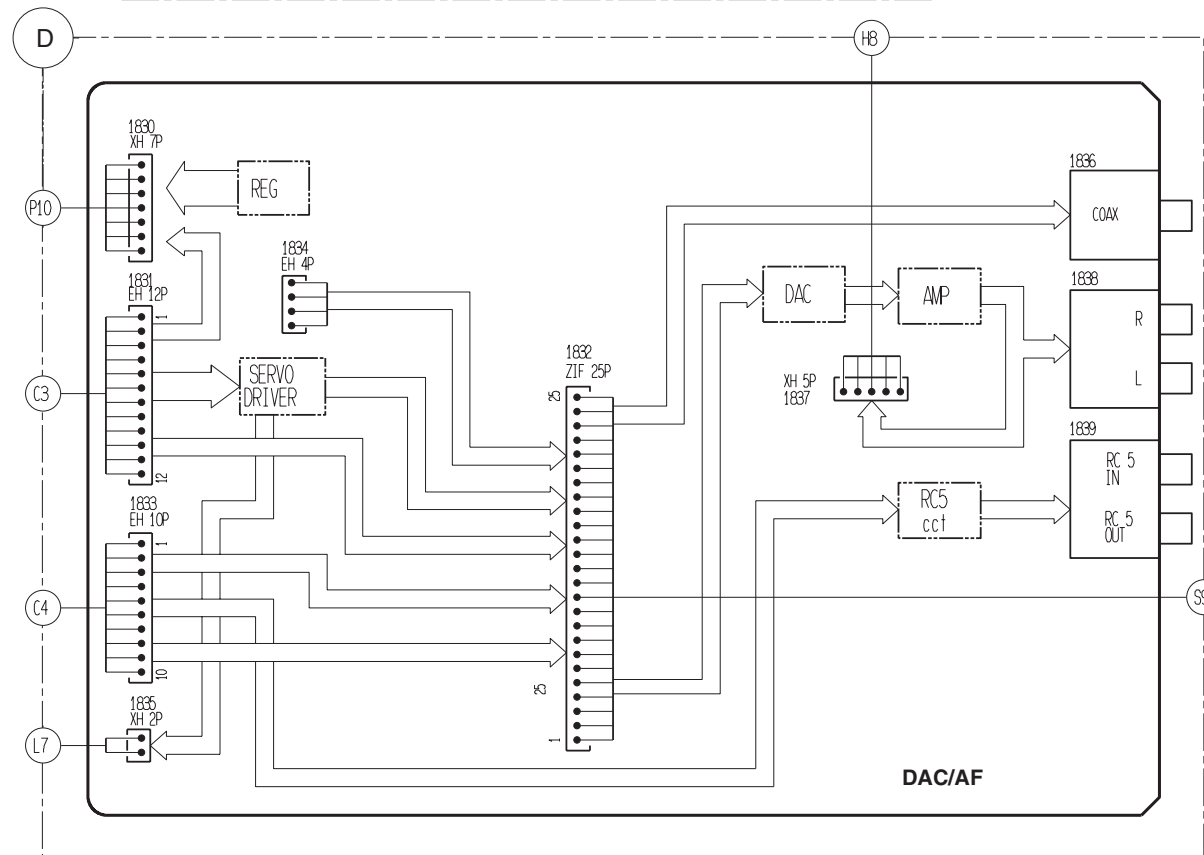
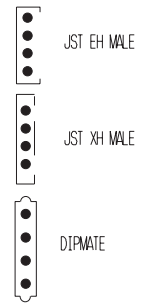


SET WIRING DIAGRAM

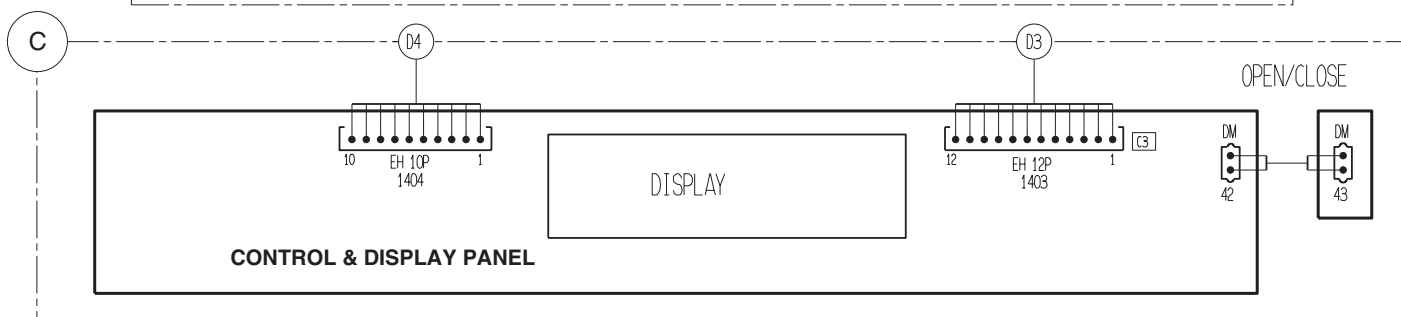


LEGEND

- (L) = LOADER
- (T) = TRANSFORMER
- (P) = POWER
- (H) = HEADPHONE
- (D) = D/A CONVERTER
- (S) = SERVO/DECODER
- (C) = CONTROL
- (B) = BOTTOM PLATE



3139 119 30820 dd wk 852

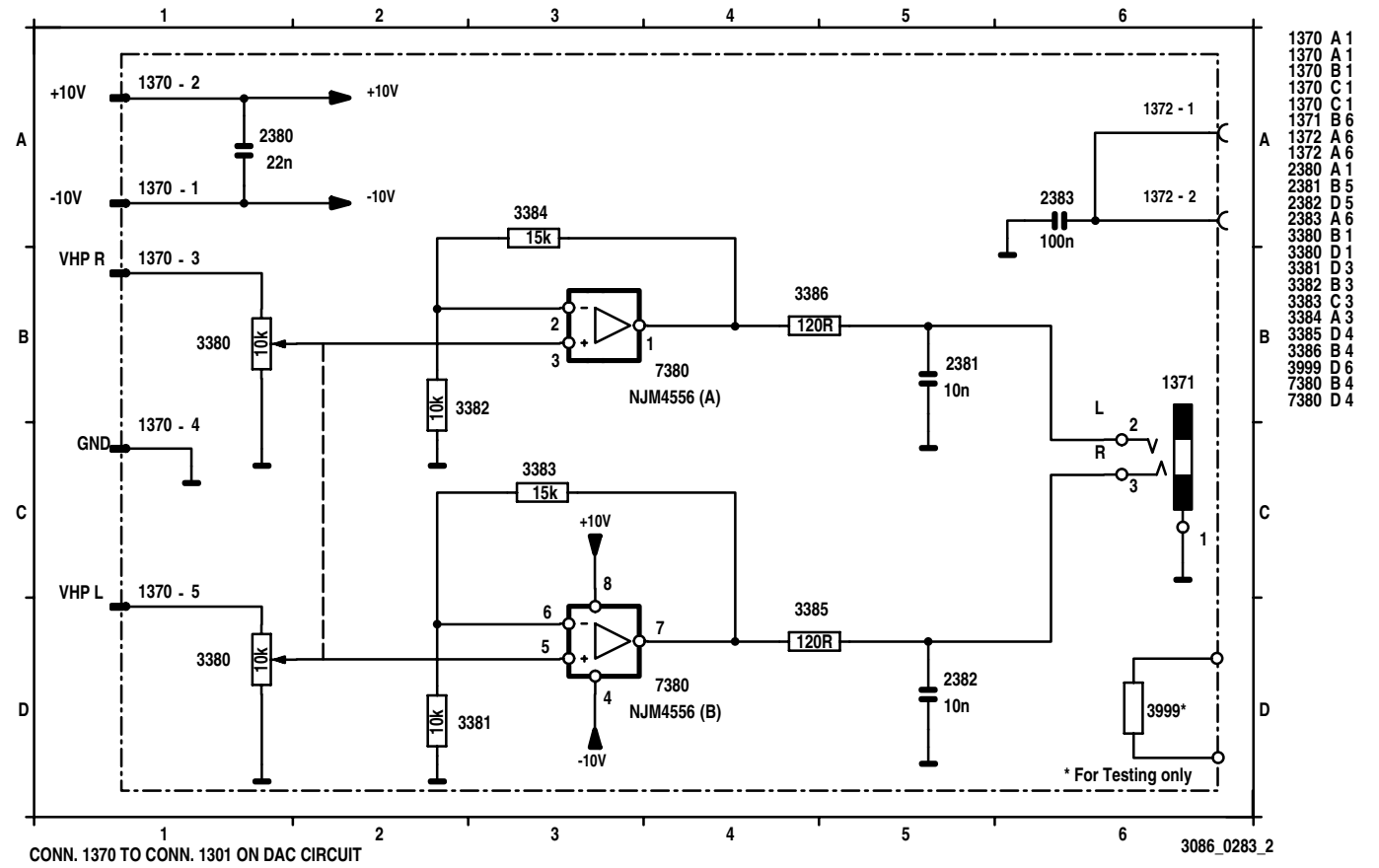


# SUPPLY & HEADPHONE BOARD

## TABLE OF CONTENTS

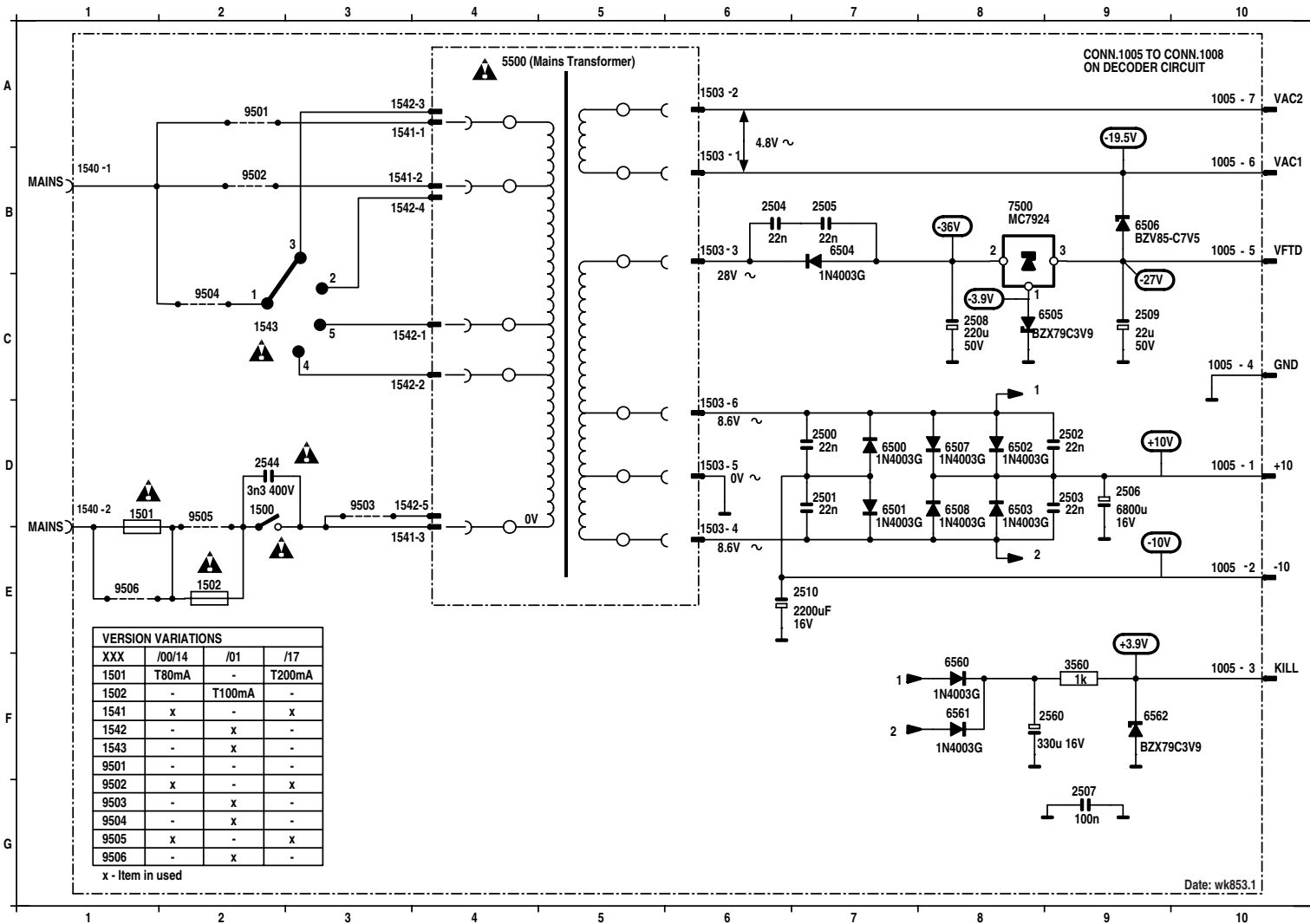
Headphone part - Circuit .....	6-1
Supply part - Circuit .....	6-2
Supply & Heaphone layout .....	6-2
Electrical parts list.....	6-3

## HEADPHONE CIRCUIT DIAGRAM

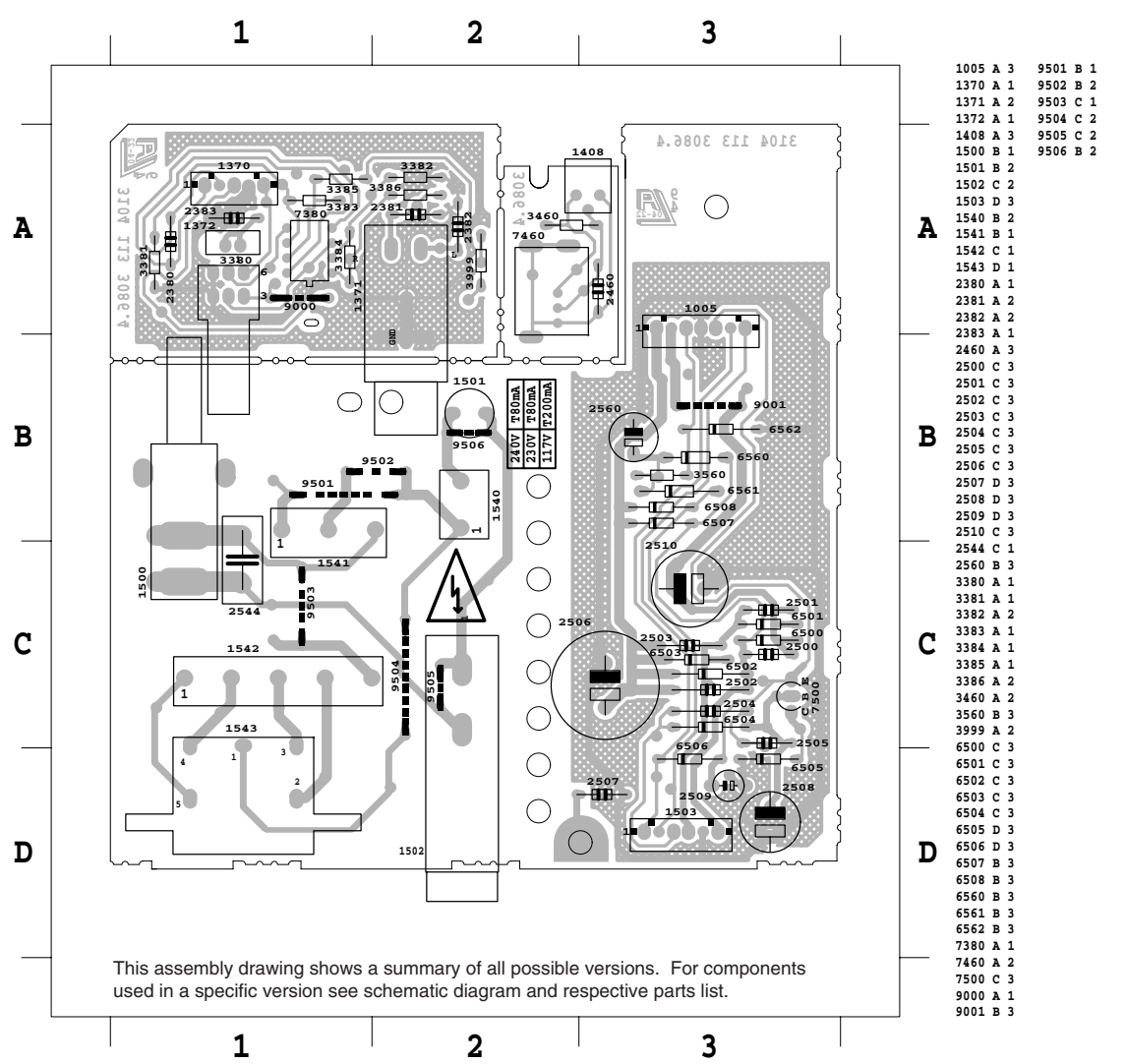


1370 A 1  
1370 A 1  
1370 B 1  
1370 C 1  
1371 B 6  
1372 A 6  
1372 A 6  
2380 A 1  
2381 B 5  
2382 D 5  
2383 A 6  
3380 B 1  
3380 D 1  
3381 D 3  
3382 B 3  
3383 C 3  
3384 A 3  
3385 D 4  
3386 B 4  
3999 D 6  
7380 B 4  
7380 D 4

POWER SUPPLY CIRCUIT DIAGRAM



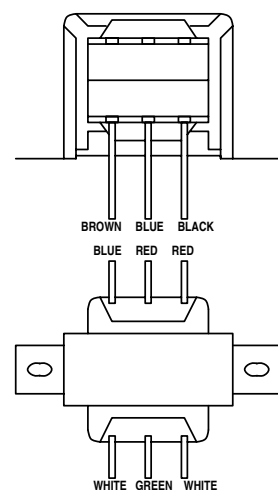
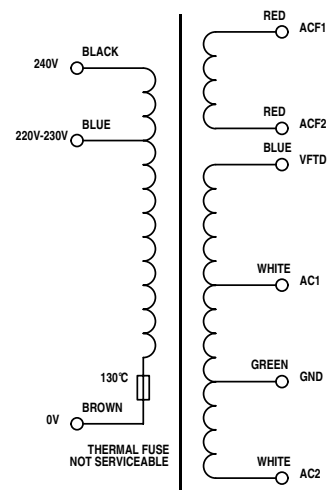
HEADPHONE & SUPPLY BOARD LAYOUT



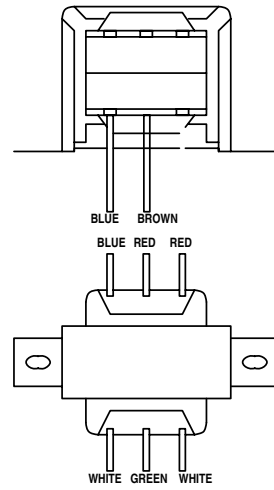
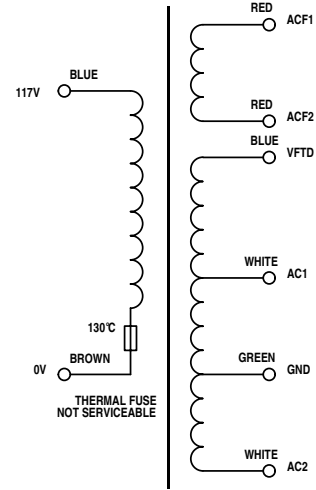
This assembly drawing shows a summary of all possible versions. For components used in a specific version see schematic diagram and respective parts list.

TRANSFORMER CONNECTIONS

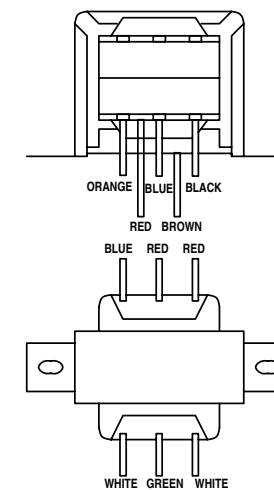
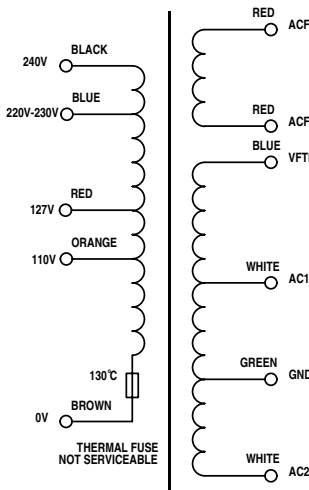
/00/14 VERSION



/17 VERSION



/01 VERSION



**ELECTRICAL PARTS LIST - SUPPLY & HEADPHONE BOARDS****MISCELLANEOUS**

1371	4822 267 31453	Headphone Socket
1500	4822 276 13224	△ Power Switch
1501	4822 252 51167	△ Fuse T200mA 250V /17
1501	4822 071 58009	△ Fuse T80mA 250V /00/14
1502	4822 070 31001	△ Fuse T100mA 250V /01
1540	4822 265 20723	△ Socket, Primary Winding
1543	4822 277 11237	△ Voltage Selector /01

6562 4822 130 31981 BZX79-B3V9

**INTEGRATED CIRCUITS**

7380	4822 209 82362	NJM4556D
7500	4822 209 31257	MC79L24ACP

Note: Only the parts mentioned in this list are normal service parts.

**CAPACITORS**

2380	4822 126 11585	22nF +80/-20% 25V
2381	4822 121 51387	10nF 20% 16V
2382	4822 121 51387	10nF 20% 16V
2383	4822 126 12882	100nF +80/-20% 50V
2500	4822 126 11585	22nF +80/-20% 25V
2501	4822 126 11585	22nF +80/-20% 25V
2502	4822 126 11585	22nF +80/-20% 25V
2503	4822 126 11585	22nF +80/-20% 25V
2504	4822 126 11585	22nF +80/-20% 25V
2505	4822 126 11585	22nF +80/-20% 25V
2506	4822 124 12328	6800µF 20% 16V
2507	4822 126 12882	100nF +80/-20% 50V
2508	5322 124 22094	220µF 20% 50V
2509	4822 124 81151	22µF 20% 50V
2510	4822 123 14025	2200µF 20% 16V
2544	4822 126 10454	△ 3,3nF 20% 400V
2560	4822 124 40849	330µF 20% 16V

**RESISTORS**

3380	4822 101 21199	Potm Rotary 10k x 2 20%
3381	4822 116 83864	10k 5% 0,5W
3382	4822 116 83864	10k 5% 0,5W
3383	4822 116 52244	15k 5% 0,5W
3384	4822 116 52244	15k 5% 0,5W
3385	4822 116 52206	120R 5% 0,5W
3386	4822 116 52206	120R 5% 0,5W
3560	4822 050 11002	1k 1% 0,4W
3999	4822 116 52303	8k2 5% 0,5W /17
3999	4822 116 52297	68k 5% 0,5W /00/14
3999	4822 116 52228	680R 5% 0,5W /01

**DIODES**

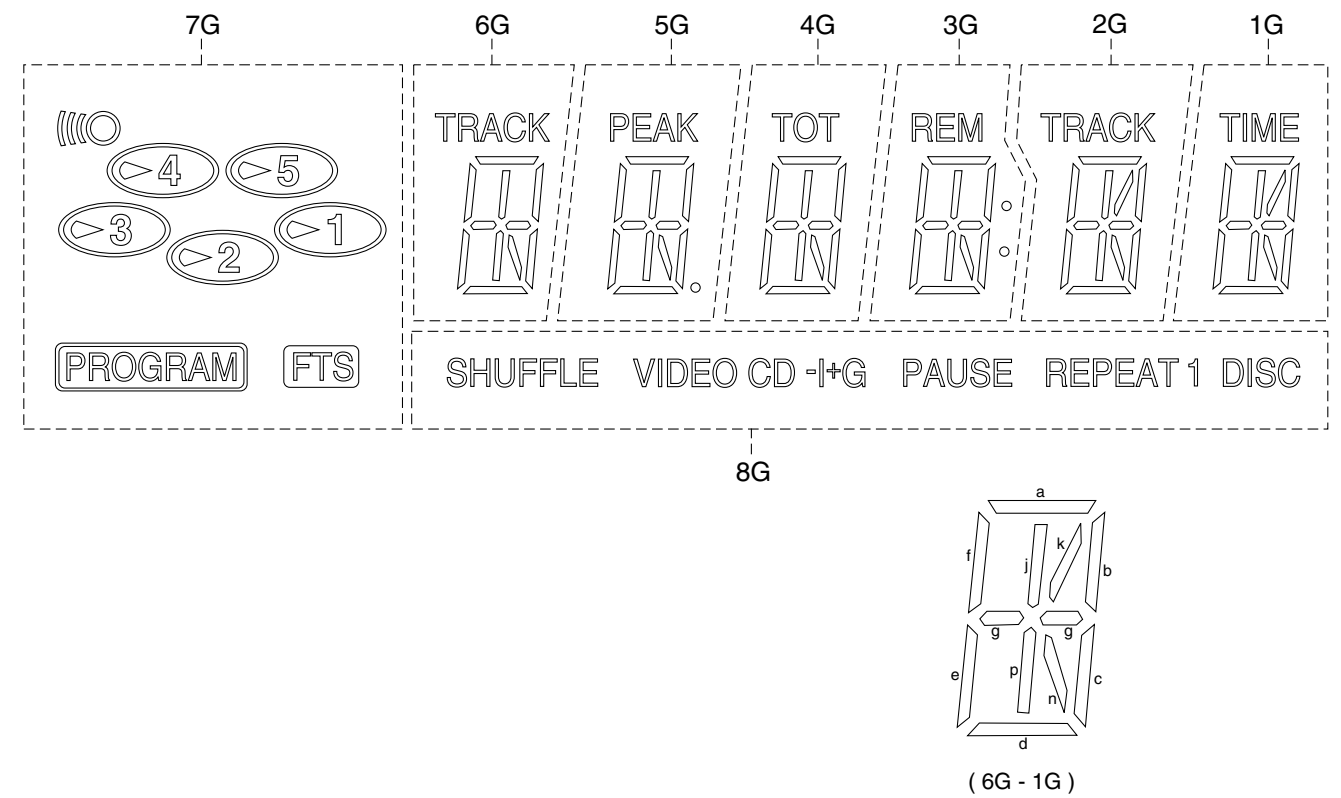
6500	4822 130 31878	1N4003G
6501	4822 130 31878	1N4003G
6502	4822 130 31878	1N4003G
6503	4822 130 31878	1N4003G
6504	4822 130 31878	1N4003G
6505	4822 130 31981	BZX79-B3V9
6506	5322 130 32586	BZV85-C7V5
6507	4822 130 31878	1N4003G
6508	4822 130 31878	1N4003G
6560	4822 130 31878	1N4003G
6561	4822 130 31878	1N4003G

# FRONT BOARD

## TABLE OF CONTENTS

LCD Pin connections ..... 7-1  
 Circuit diagram - Main part ..... 7-2  
 Component & Chip layouts - Main part ..... 7-3  
 Circuit diagram & layout - Open/Close part ..... 7-3  
 Electrical parts list ..... 7-4

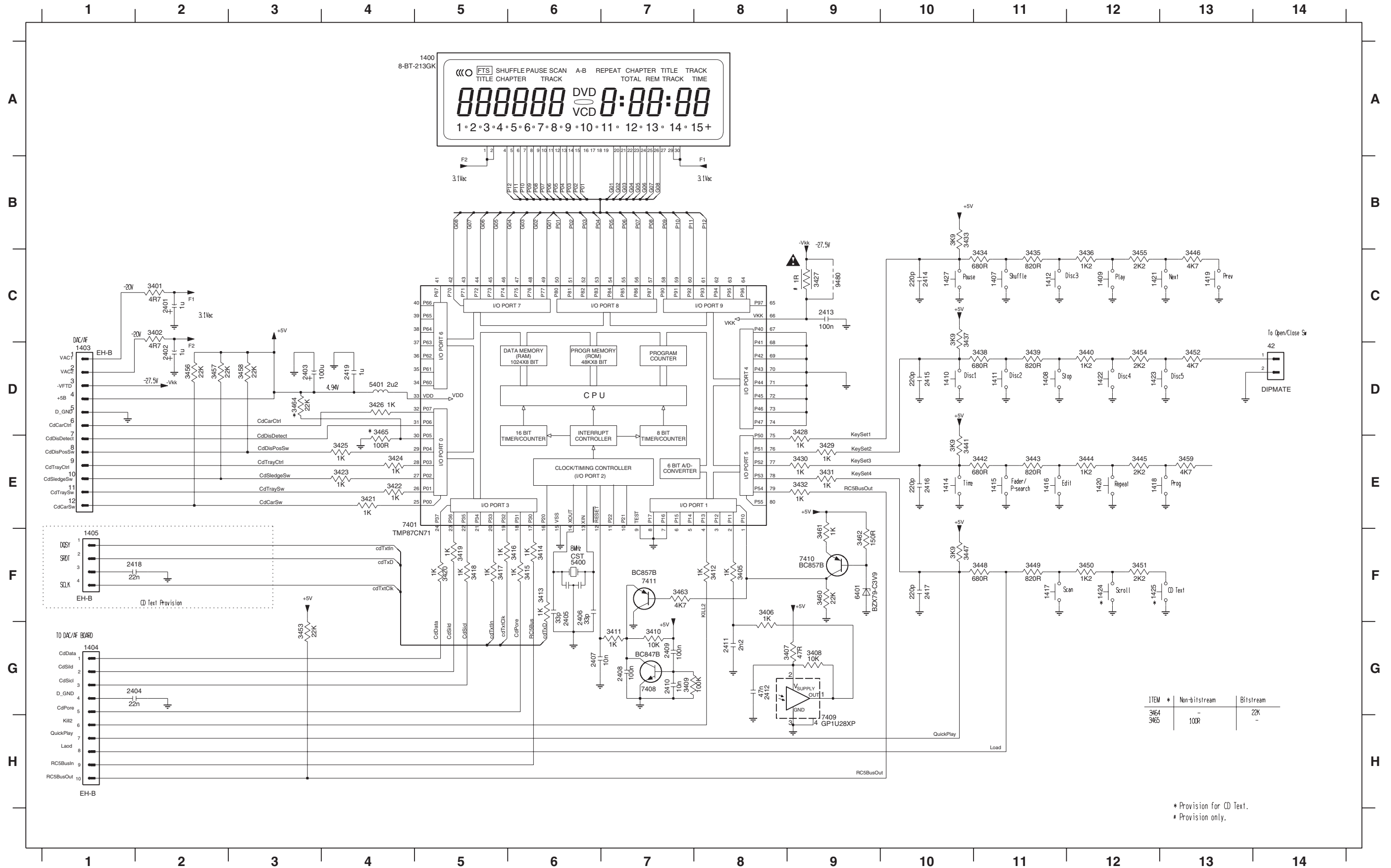
## LCD DISPLAY PIN CONNECTIONS



	1G	2G	3G	4G	5G	6G	7G	8G
P1	TIME	TRACK	REM	TOT	PEAK	TRACK	▶1	SHUFFLE
P2	a	a	a	a	a	a	▶2	VIDEO
P3	b	b	b	b	b	b	▶3	CD
P4	f	f	f	f	f	f	▶4	-I
P5	j	j	j	j	j	j	▶5	+G
P6	k	k	• Dp	-	• Col	-	(((O	PAUSE
P7	g	g	g	g	g	g	PROGRAM	REPEAT
P8	c	c	c	c	c	c	FTS	1
P9	e	e	e	e	e	e	-	DISC
P10	p	p	p	p	p	p	-	-
P11	n	n	n	n	n	n	-	-
P12	d	d	d	d	d	d	-	-

# CIRCUIT DIAGRAM - MAIN PART

42 D14	1405 F1	1410 D10	1415 E11	1419 C13	1423 D12	2401 C2	2405 F6	2409 G7	2413 C9	2417 F10	3402 C2	3408 G9	3412 F8	3416 F6	3420 F5	3424 E4	3428 D9	3432 E9	3436 C12	3440 D12	3444 E12	3448 F11	3452 D13	3456 D2	3460 F9	3464 D3	6401 F9	7410 F9
1400 A5	1407 C11	1411 D11	1416 E11	1420 E12	1424 F12	2402 D2	2406 F6	2410 G7	2414 C10	2418 F11	3405 F8	3409 G7	3413 F6	3417 F5	3421 E4	3425 E4	3429 E9	3433 B10	3437 C10	3441 E10	3445 E12	3449 F11	3453 G3	3457 D2	3461 F9	3465 D4	7401 E4	7411 F7
1403 D1	1408 D11	1412 C11	1417 F11	1421 C12	1425 F12	2403 D3	2407 G6	2411 G8	2415 D10	2419 D4	3406 F8	3410 G7	3414 F6	3418 F5	3422 E4	3426 D4	3430 E9	3434 C11	3438 D11	3442 E11	3446 C13	3450 F12	3454 D12	3458 D3	3462 F9	5400 F6	7408 G7	9480 C9
1404 G1	1409 C12	1414 E10	1418 E12	1422 D12	1427 C10	2404 G1	2408 G7	2412 G8	2416 E10	3401 C2	3407 G9	3411 G7	3415 F6	3419 F5	3423 E4	3427 C9	3431 E9	3435 C11	3439 D11	3443 E11	3447 F10	3451 F12	3455 C12	3459 E13	3463 F7	5401 D4	7409 H9	

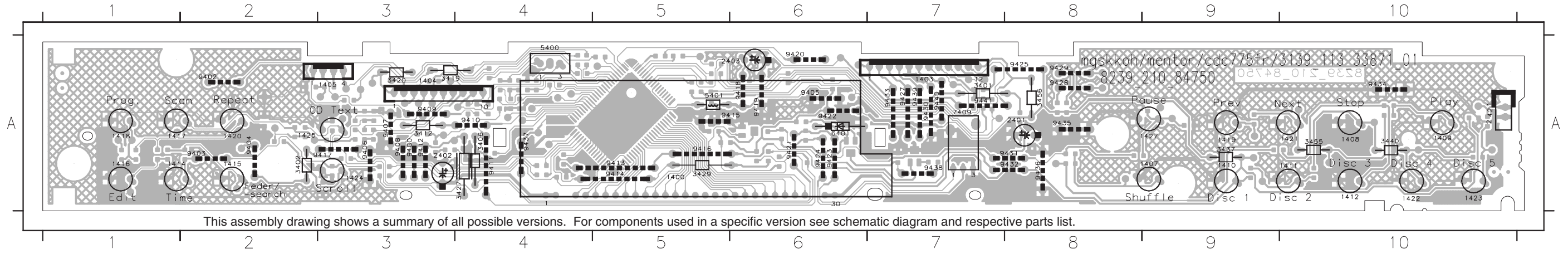


ITEM	*	Non-bitstream	Bitstream
3454		-	22K
3465		100R	-

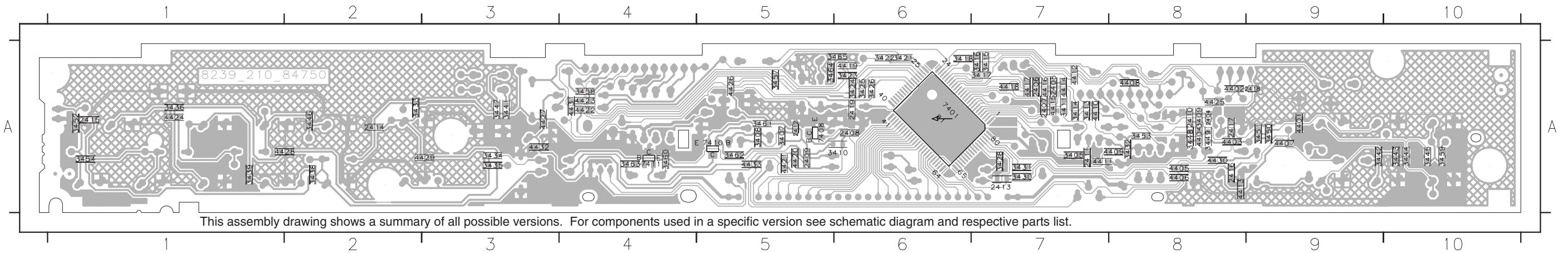
\* Provision for CD Text.  
 \* Provision only.

COMPONENT & CHIP LAYOUTS - MAIN PART

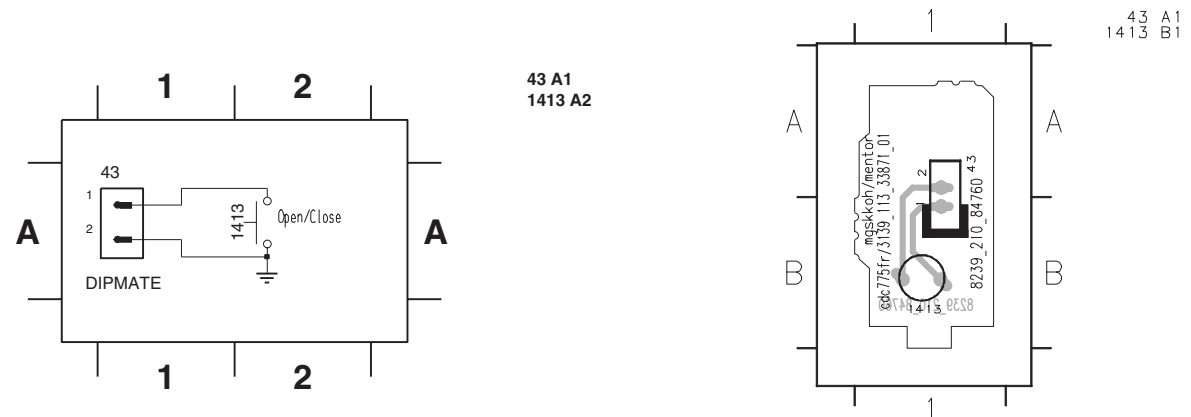
42 A10	1405 A3	1410 A9	1415 A2	1419 A9	1423 A10	2401 A8	3402 A2	3420 A3	3440 A10	5401 A5	9403 A2	9407 A3	9411 A4	9415 A6	9419 A6	9423 A6	9428 A8	9432 A8	9436 A8	9440 A7
1400 A5	1407 A9	1411 A10	1416 A1	1420 A2	1424 A3	2402 A3	3406 A4	3427 A4	3455 A10	6401 A6	9404 A2	9408 A3	9412 A3	9416 A5	9420 A6	9424 A6	9429 A8	9433 A7	9437 A4	9441 A7
1403 A7	1408 A10	1412 A10	1417 A1	1421 A10	1425 A2	2403 A6	3412 A3	3429 A5	3456 A8	7409 A7	9405 A6	9409 A3	9413 A5	9417 A3	9421 A6	9425 A8	9430 A7	9434 A10	9438 A7	9480 A3
1404 A3	1409 A10	1414 A1	1418 A1	1422 A10	1427 A9	3401 A7	3419 A3	3437 A9	5400 A4	9402 A2	9406 A3	9410 A4	9414 A5	9418 A6	9422 A6	9427 A7	9431 A7	9435 A8	9439 A7	



2404 A8	2408 A6	2412 A5	2416 A8	3405 A7	3410 A6	3415 A7	3421 A6	3425 A6	3431 A7	3435 A3	3441 A3	3445 A10	3449 A8	3453 A8	3459 A10	3463 A4	4402 A8	4406 A8	4410 A7	4414 A7	4418 A7	4422 A4	4426 A5	4430 A8	7401 A6
2405 A7	2409 A5	2413 A7	2417 A8	3407 A5	3411 A7	3416 A7	3422 A6	3426 A6	3432 A8	3436 A1	3442 A9	3446 A2	3450 A9	3454 A1	3460 A4	3464 A5	4403 A8	4407 A9	4411 A7	4415 A7	4419 A6	4423 A4	4427 A5	4431 A4	7408 A5
2406 A7	2410 A8	2414 A2	2418 A9	3408 A5	3413 A7	3417 A7	3423 A6	3428 A7	3433 A2	3438 A2	3443 A10	3447 A3	3451 A9	3455 A5	3461 A5	3465 A6	4404 A8	4408 A8	4412 A7	4416 A7	4420 A5	4424 A1	4428 A5	4432 A3	7410 A5
2407 A7	2411 A7	2415 A1	2419 A6	3409 A8	3414 A7	3418 A6	3424 A6	3430 A7	3434 A3	3439 A1	3444 A10	3448 A8	3452 A1	3458 A4	3462 A5	4401 A9	4405 A8	4409 A8	4413 A8	4417 A7	4421 A5	4425 A8	4429 A5	4433 A5	7411 A4



CIRCUIT & LAYOUT - OPEN/CLOSE PART



**ELECTRICAL PARTS LIST - FRONT BOARD****MISCELLANEOUS**

1400	4822 135 00268	FTD Display CDC775
1407	4822 276 13775	Tact Switch
1408	4822 276 13775	Tact Switch
1409	4822 276 13775	Tact Switch
1410	4822 276 13775	Tact Switch
1411	4822 276 13775	Tact Switch
1412	4822 276 13775	Tact Switch
1413	4822 276 13775	Tact Switch
1414	4822 276 13775	Tact Switch
1415	4822 276 13775	Tact Switch
1416	4822 276 13775	Tact Switch
1417	4822 276 13775	Tact Switch
1418	4822 276 13775	Tact Switch
1419	4822 276 13775	Tact Switch
1420	4822 276 13775	Tact Switch
1421	4822 276 13775	Tact Switch
1422	4822 276 13775	Tact Switch
1423	4822 276 13775	Tact Switch
1427	4822 276 13775	Tact Switch

**CAPACITORS**

2401	4822 124 22651	1μF 20% 50V
2402	4822 124 22651	1μF 20% 50V
2403	4822 124 42234	100μF 20% 6,3V
2404	5322 122 32654	22nF 10% 63V
2405	5322 122 32659	33pF 5% 50V
2406	5322 122 32659	33pF 5% 50V
2407	4822 122 33177	10nF 20% 50V
2408	4822 126 10002	100nF 20% 25V
2409	4822 126 10002	100nF 20% 25V
2410	4822 122 33177	10nF 20% 50V
2411	4822 122 33175	2,2nF 20% 50V
2412	4822 122 33797	47nF 20% 50V
2413	4822 126 10002	100nF 20% 25V
2414	4822 122 33575	220pF 5% 50V
2415	4822 122 33575	220pF 5% 50V
2416	4822 122 33575	220pF 5% 50V
2417	4822 122 33575	220pF 5% 50V
2418	5322 122 32654	22nF 10% 63V
2419	4822 126 13836	1μF 16V

**RESISTORS**

3401	4822 050 24708	4R7 1% 0,6W
3402	4822 050 24708	4R7 1% 0,6W
3405	4822 051 10102	1k 2% 0,25W
3406	4822 050 11002	1k 1% 0,4W
3407	4822 051 20479	47R 5% 0,1W
3408	4822 117 10833	10k 1% 0,1W
3409	4822 051 20104	100k 5% 0,1W
3410	4822 117 10833	10k 1% 0,1W
3411	4822 051 10102	1k 2% 0,25W
3412	4822 050 11002	1k 1% 0,4W

3413	4822 051 10102	1k 2% 0,25W
3414	4822 051 10102	1k 2% 0,25W
3415	4822 051 10102	1k 2% 0,25W
3416	4822 051 10102	1k 2% 0,25W
3417	4822 051 10102	1k 2% 0,25W
3418	4822 051 10102	1k 2% 0,25W
3419	4822 050 11002	1k 1% 0,4W
3420	4822 050 11002	1k 1% 0,4W
3421	4822 051 10102	1k 2% 0,25W
3422	4822 051 10102	1k 2% 0,25W
3423	4822 051 10102	1k 2% 0,25W
3424	4822 051 10102	1k 2% 0,25W
3425	4822 051 10102	1k 2% 0,25W
3426	4822 051 10102	1k 2% 0,25W
3428	4822 051 10102	1k 2% 0,25W
3429	4822 050 11002	1k 1% 0,4W
3430	4822 051 10102	1k 2% 0,25W
3431	4822 051 10102	1k 2% 0,25W
3432	4822 051 10102	1k 2% 0,25W
3433	4822 051 20392	3k9 5% 0,1W
3434	4822 051 20681	680R 5% 0,1W
3435	4822 117 11454	820R 1% 0,1W
3436	4822 051 20122	1k2 5% 0,1W
3437	4822 116 52276	3k9 5% 0,5W
3438	4822 051 20681	680R 5% 0,1W
3439	4822 117 11454	820R 1% 0,1W
3440	4822 116 52207	1k2 5% 0,5W
3441	4822 051 20392	3k9 5% 0,1W
3442	4822 051 20681	680R 5% 0,1W
3443	4822 117 11454	820R 1% 0,1W
3444	4822 051 20122	1k2 5% 0,1W
3445	4822 117 11449	2k2 1% 0,1W
3446	4822 051 20472	4k7 5% 0,1W
3447	4822 051 20392	3k9 5% 0,1W
3448	4822 051 20681	680R 5% 0,1W
3449	4822 117 11454	820R 1% 0,1W
3450	4822 051 20122	1k2 5% 0,1W
3451	4822 117 11449	2k2 1% 0,1W
3452	4822 051 20472	4k7 5% 0,1W
3453	4822 051 20223	22k 5% 0,1W
3454	4822 117 11449	2k2 1% 0,1W
3455	4822 116 52256	2k2 5% 0,5W
3456	4822 116 52257	22k 5% 0,5W
3457	4822 051 20223	22k 5% 0,1W
3458	4822 051 20223	22k 5% 0,1W
3459	4822 051 20472	4k7 5% 0,1W
3460	4822 051 20223	22k 5% 0,1W
3461	4822 051 10102	1k 2% 0,25W
3462	4822 117 10353	150R 1% 0,1W
3463	4822 051 20472	4k7 5% 0,1W
4401	4822 051 20008	OR Jumper 0805
4402	4822 051 20008	OR Jumper 0805

4403	4822 051 20008	OR Jumper 0805
4404	4822 051 20008	OR Jumper 0805
4405	4822 051 20008	OR Jumper 0805
4406	4822 051 20008	OR Jumper 0805
4407	4822 051 20008	OR Jumper 0805
4408	4822 051 20008	OR Jumper 0805
4409	4822 051 20008	OR Jumper 0805
4410	4822 051 20008	OR Jumper 0805
4411	4822 051 20008	OR Jumper 0805
4412	4822 051 20008	OR Jumper 0805
4413	4822 051 20008	OR Jumper 0805
4414	4822 051 20008	OR Jumper 0805
4415	4822 051 20008	OR Jumper 0805
4416	4822 051 20008	OR Jumper 0805
4417	4822 051 20008	OR Jumper 0805
4418	4822 051 20008	OR Jumper 0805
4419	4822 051 20008	OR Jumper 0805
4420	4822 051 20008	OR Jumper 0805
4421	4822 051 20008	OR Jumper 0805
4422	4822 051 20008	OR Jumper 0805
4423	4822 051 20008	OR Jumper 0805
4424	4822 051 20008	OR Jumper 0805
4425	4822 051 20008	OR Jumper 0805
4426	4822 051 20008	OR Jumper 0805
4427	4822 051 20008	OR Jumper 0805
4428	4822 051 20008	OR Jumper 0805
4429	4822 051 20008	OR Jumper 0805
4430	4822 051 20008	OR Jumper 0805
4431	4822 051 20008	OR Jumper 0805
4432	4822 051 20008	OR Jumper 0805
4433	4822 051 20008	OR Jumper 0805

**COILS & FILTERS**

5400	4822 242 72066	Ceram Resonator 8MHz
5401	4822 157 11477	Coil 2,2μH 5%

**DIODES**

6401	4822 130 31981	BZX79-B3V9
------	----------------	------------

**TRANSISTORS & INTEGRATED CIRCUITS**

7401	4822 209 17356	TMP87CP71F "775S51781"
7408	4822 130 60511	BC847B
7409	4822 130 10165	GP1U28XP
7410	5322 130 60508	BC857B
7411	5322 130 60508	BC857B

Note: Only the parts mentioned in this list are normal service spare parts.

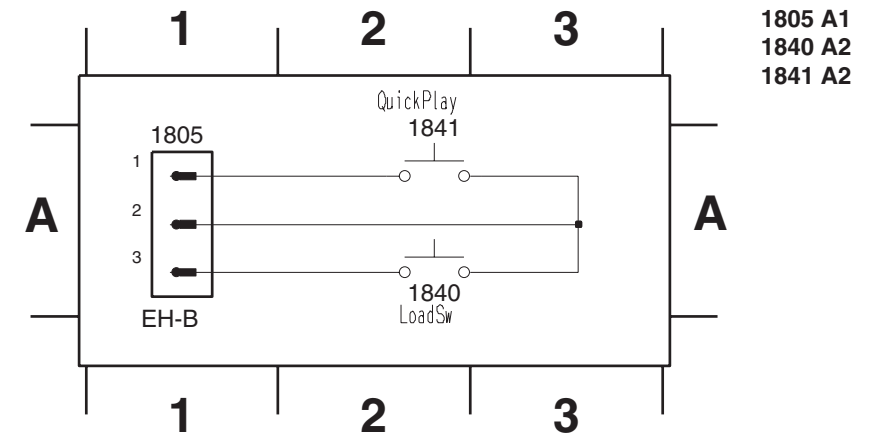


# SERVO/DECODER BOARD

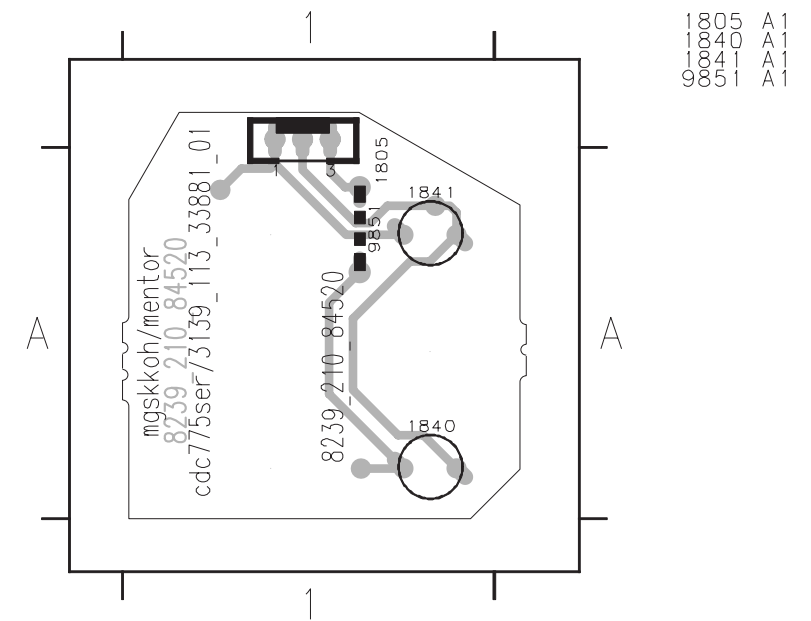
## TABLE OF CONTENTS

Circuit diagram & layout - Load/Quick Play part ..... 8-1  
 Circuit diagram - Main part ..... 8-2  
 Component & Chip layouts - Main part ..... 8-3  
 Electrical parts list ..... 8-4

## CIRCUIT DIAGRAM & LAYOUT - LOAD/QP PART



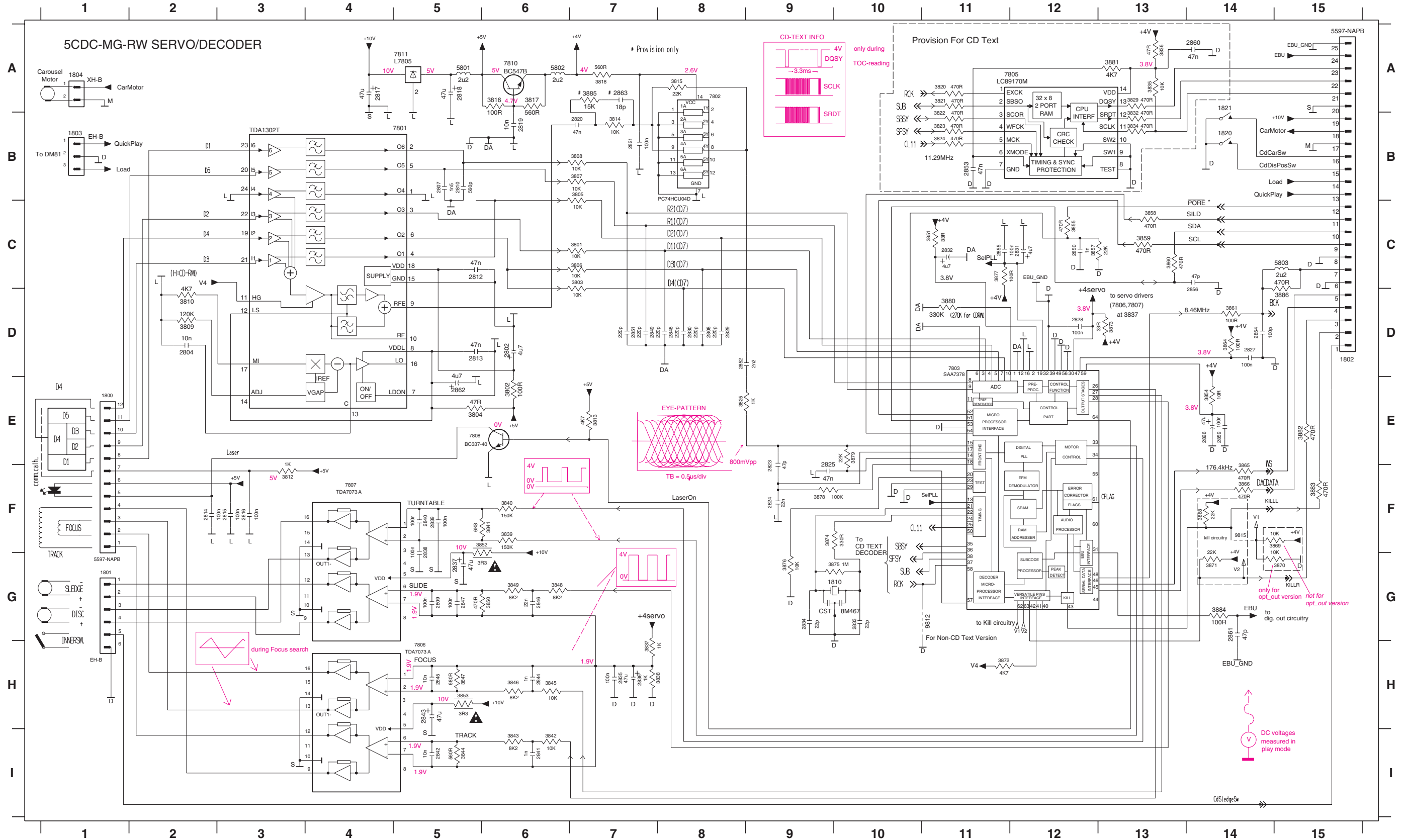
1805 A1  
 1840 A2  
 1841 A2



1805 A1  
 1840 A1  
 1841 A1  
 9851 A1

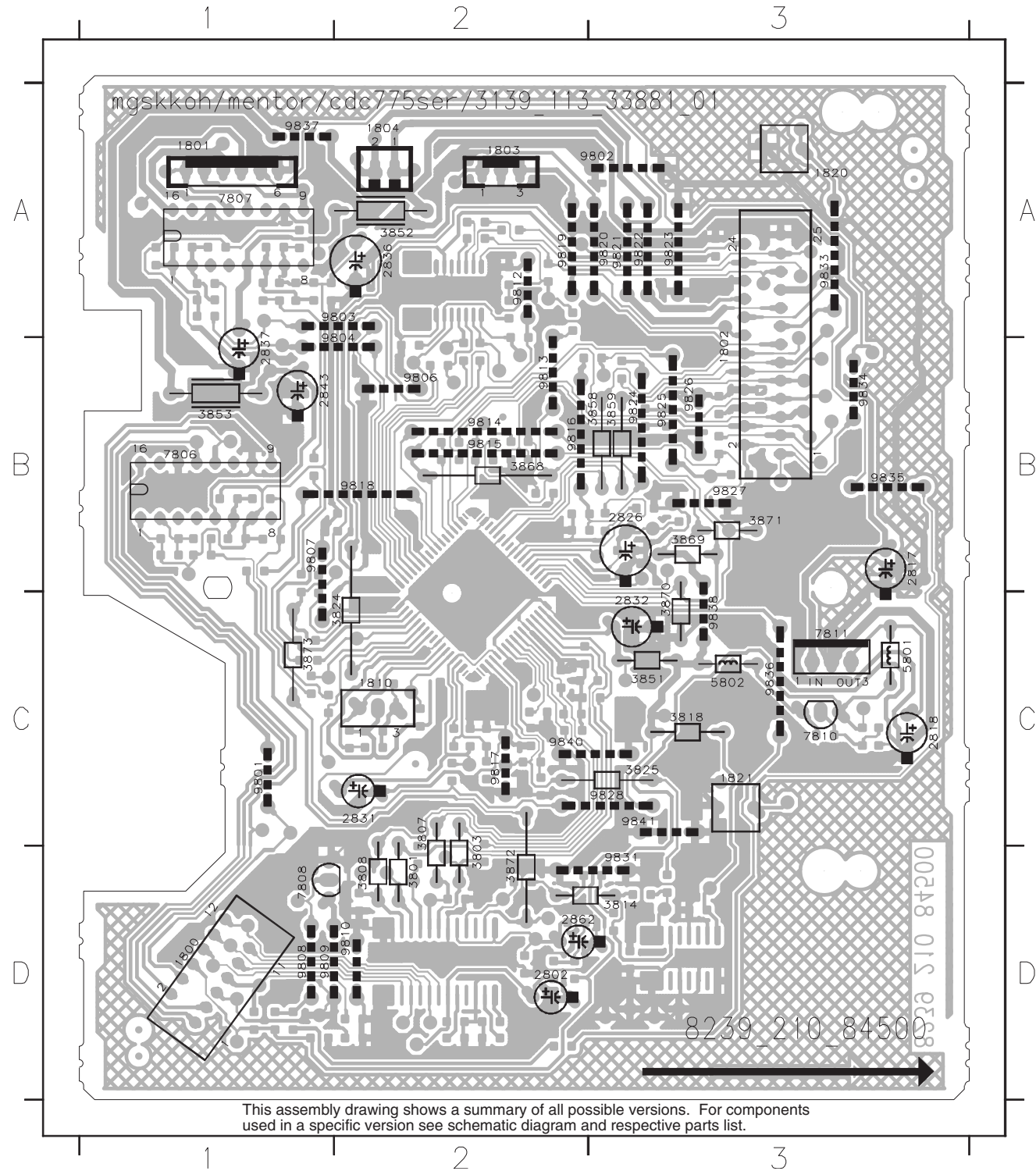
# CIRCUIT DIAGRAM - MAIN PART

1800 E1	1810 G10	2807 B5	2813 D5	2818 A5	2824 F9	2829 D8	2834 G9	2839 F5	2844 H6	2849 D7	2854 D14	2861 G14	3803 C7	3808 B7	3814 B7	3820 A11	3825 E8	3836 A13	3841 F6	3846 H6	3851 C11	3857 C12	3864 D14	3870 G15	3875 G10	3880 D11	3885 A7	7801 B4	7807 F4	9815 F14
1801 G1	1820 B14	2808 D8	2814 F2	2819 B6	2825 F9	2830 D8	2835 H7	2840 F5	2845 H5	2850 C12	2855 C11	2862 E5	3804 E5	3809 D2	3815 A8	3821 A11	3829 A13	3837 H7	3842 I6	3847 H5	3852 F6	3858 C13	3865 F14	3871 G14	3876 G9	3881 A13	3886 D15	7802 A8	7808 E5	
1802 D15	1821 A14	2809 G5	2815 F3	2820 B7	2826 E14	2831 C12	2836 H7	2841 I6	2846 G6	2851 D7	2856 D14	2863 A7	3805 B7	3810 D2	3816 A6	3822 B11	3832 B13	3838 H7	3843 I6	3848 G6	3853 H5	3859 C13	3866 F14	3872 H11	3877 C11	3882 E15	5801 A5	7803 D11	7810 A6	
1803 B1	2802 D6	2810 B5	2816 F3	2821 B7	2827 D14	2832 C11	2837 G5	2842 I5	2847 G5	2852 D8	2857 E14	2864 C7	3806 C7	3812 F3	3817 A6	3823 B11	3834 B13	3839 F6	3844 I5	3849 G6	3854 E14	3860 C13	3868 F14	3873 D13	3878 F9	3883 F15	5802 A6	7805 A12	7811 A5	
1804 A1	2804 D2	2812 C5	2817 A4	2823 F9	2828 D12	2833 G10	2838 F5	2843 H5	2848 D8	2853 B11	2860 A14	3802 E6	3807 B7	3813 E7	3818 A7	3824 B11	3835 A13	3840 F6	3845 H6	3850 G6	3855 C12	3861 D14	3869 F15	3874 F9	3879 E10	3884 G14	5803 C15	7806 H5	9812 G11	

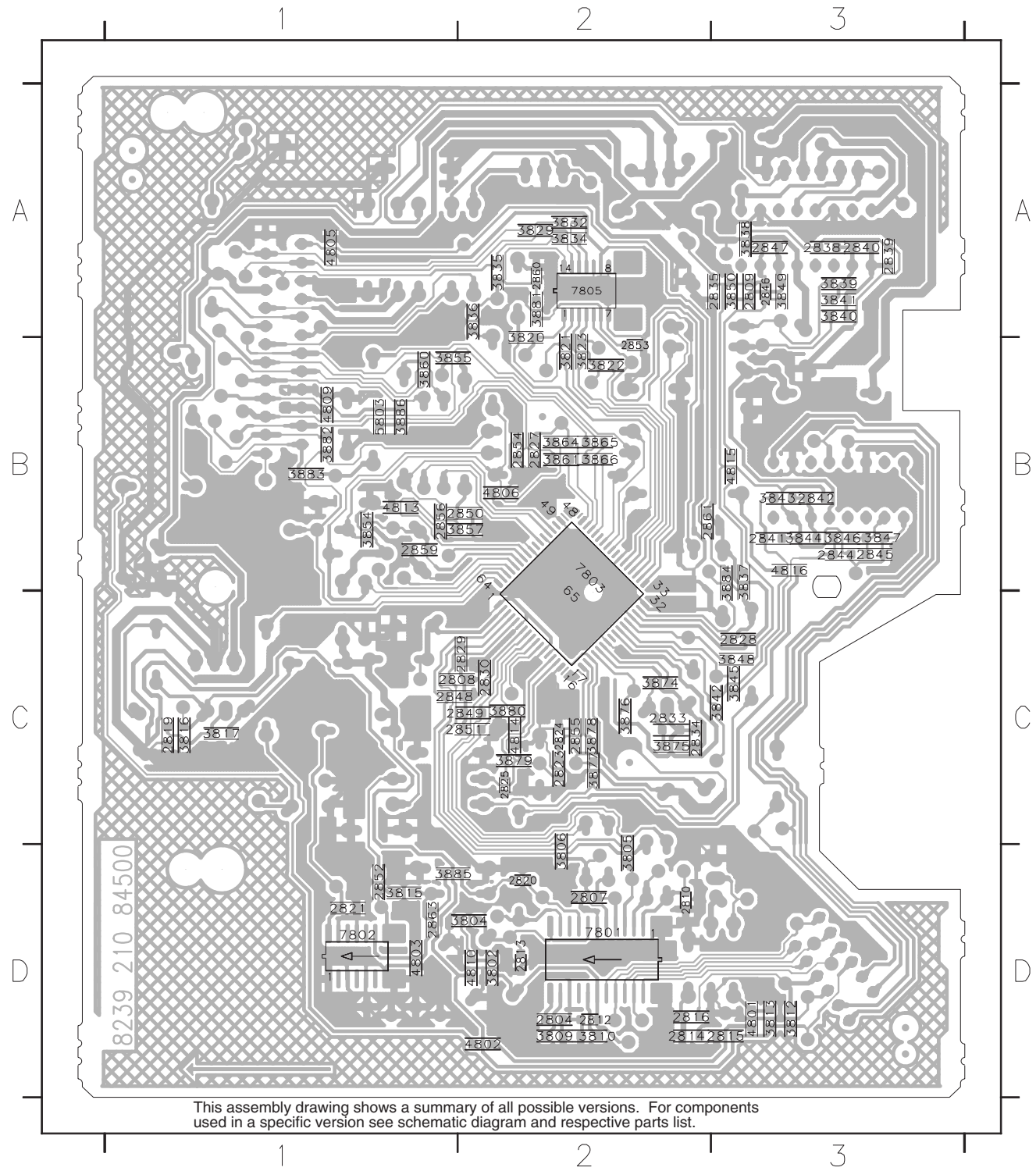


COMPONENT & CHIP LAYOUTS - MAIN PART

1800 D1	2817 B3	3801 D2	3852 A2	3873 C1	9802 A3	9813 B2	9822 A3	9834 B3
1801 A1	2818 C3	3803 D2	3853 B1	5801 C3	9803 A2	9814 B2	9823 A3	9835 B3
1802 B3	2826 B3	3807 C2	3858 B3	5802 C3	9804 B2	9815 B2	9824 B3	9836 C3
1803 A2	2831 C2	3808 D2	3859 B3	7806 B1	9806 B2	9816 B2	9825 B3	9837 A1
1804 A2	2832 C3	3814 D3	3868 B2	7807 A1	9807 B1	9817 C2	9826 B3	9838 C3
1810 C2	2836 A2	3818 C3	3869 B3	7808 D1	9808 D1	9818 B2	9827 B3	9840 C2
1820 A3	2837 B1	3824 C2	3870 C3	7810 C3	9809 D1	9819 A2	9828 C3	9841 C3
1821 C3	2843 B1	3825 C3	3871 B3	7811 C3	9810 D2	9820 A3	9831 D3	
2802 D2	2862 D2	3851 C3	3872 D2	9801 C1	9812 A2	9821 A3	9833 A3	



2804 D2	2823 C2	2841 B3	2855 C2	3813 D3	3837 B3	3850 A3	3878 C2	4806 B2
2807 D2	2824 C2	2842 B3	2856 B1	3815 D1	3838 A3	3854 B1	3879 C2	4809 B1
2808 C1	2825 C2	2844 B3	2859 B1	3816 C1	3839 A3	3855 B1	3880 C2	4810 D2
2809 A3	2827 B2	2845 B3	2860 A2	3817 C1	3840 A3	3857 B2	3881 A2	4813 B1
2810 D2	2828 C3	2846 A3	2861 B2	3820 B2	3841 A3	3860 B1	3882 B1	4814 C2
2812 D2	2829 C2	2847 A3	2863 D1	3821 B2	3842 C3	3861 B2	3883 B1	4815 B3
2813 D2	2830 C2	2848 C1	3802 D2	3822 B2	3843 B3	3864 B2	3884 B3	4816 B3
2814 D2	2833 C2	2849 C2	3804 D2	3823 B2	3844 B3	3865 B2	3885 D1	5803 B1
2815 D3	2834 C2	2850 B2	3805 D2	3829 A2	3845 C3	3866 B2	3886 B1	7801 D2
2816 D2	2835 A3	2851 C2	3806 D2	3832 A2	3846 B3	3874 C2	4801 D3	7802 D1
2819 C1	2838 A3	2852 D1	3809 D2	3834 A2	3847 B3	3875 C2	4802 D2	7803 B2
2820 D2	2839 A3	2853 B2	3810 D2	3835 A2	3848 C3	3876 C2	4803 D1	7805 A2
2821 D1	2840 A3	2854 B2	3812 D3	3836 A2	3849 A3	3877 C2	4805 A1	





Notes:

---

# DAC/AF BOARD

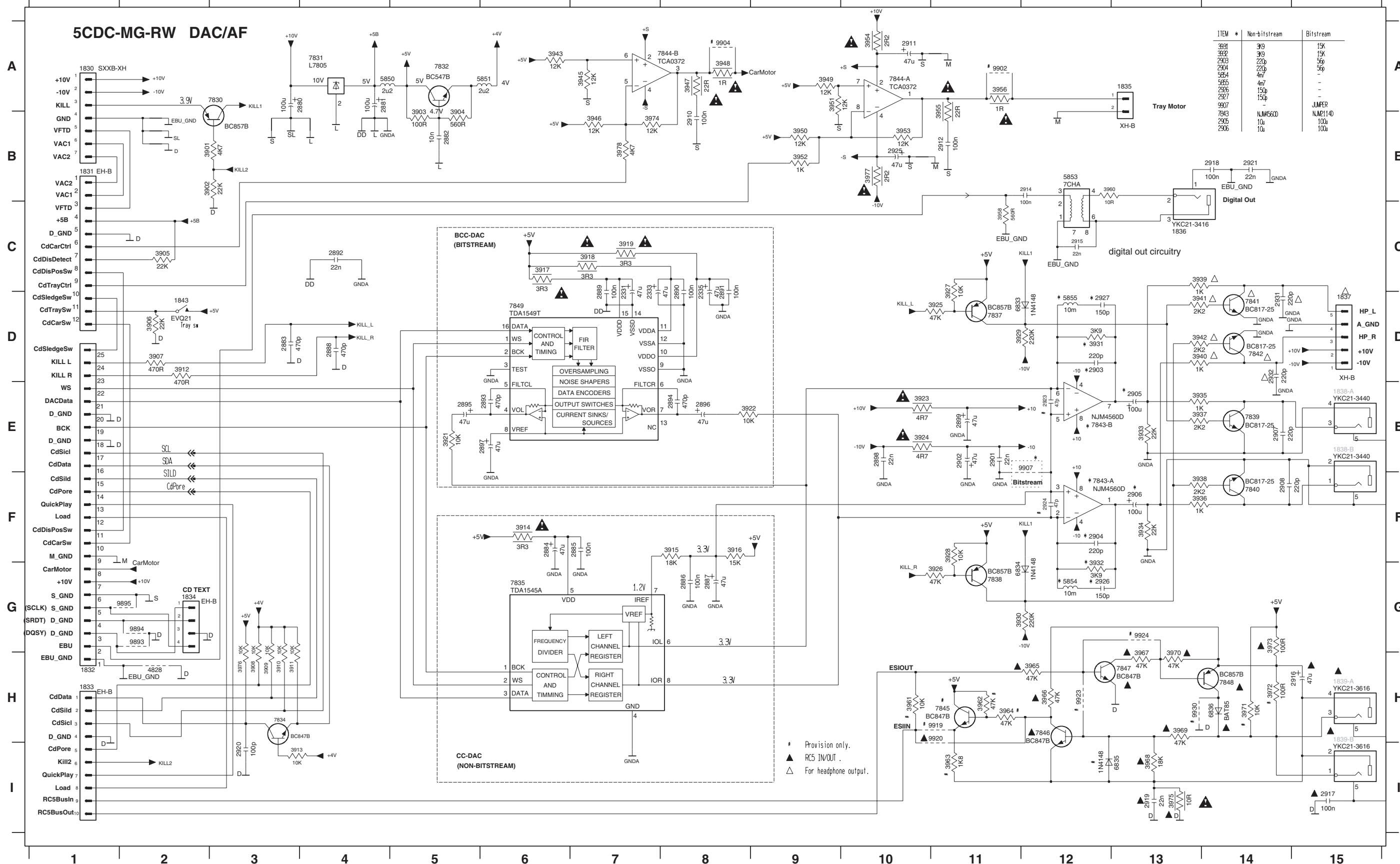
---

**TABLE OF CONTENTS**

Notes ..... 9-1  
Circuit diagram ..... 9-2  
Component & Chip layouts ..... 9-3  
Electrical parts list ..... 9-4

# CIRCUIT DIAGRAM

1830 A1	1837 D15	2333 D7	2885 F7	2892 C4	2899 E11	2907 E14	2916 H15	2924 F12	3902 B2	3909 H3	3916 F8	3924 E10	3931 D12	3938 F13	3946 B7	3953 B10	3962 H11	3969 H13	3976 H3	5854 G12	7831 A4	7840 F14	7845 H11	9895 G2	9924 G13
1831 B1	1838-A E15	2335 D8	2886 G8	2893 E6	2901 E11	2908 F14	2917 I15	2925 B10	3903 B5	3910 H3	3917 C6	3925 D11	3932 G12	3939 C13	3947 A8	3954 A10	3963 I11	3970 H13	3977 B10	5855 D12	7832 A5	7841 D14	7846 H12	9902 A11	9930 H13
1832 H1	1838-B E15	2880 A3	2887 G8	2894 E8	2902 E11	2910 B8	2918 B14	2926 G12	3904 B5	3911 H3	3918 C7	3926 G11	3933 E13	3940 D13	3948 A8	3955 B11	3964 H11	3971 H14	3978 B7	6833 D11	7834 H3	7842 D14	7847 H13	9904 A8	
1833 H1	1839-A H15	2881 A4	2888 D4	2895 E5	2903 D12	2911 A10	2919 I13	2927 D12	3905 C2	3912 D2	3919 C7	3927 D11	3934 F13	3941 D13	3949 A9	3956 A11	3965 H12	3972 H14	4828 H2	6834 G11	7835 G6	7843-A F12	7848 H14	9907 E12	
1834 G2	1839-B H15	2882 B5	2889 D7	2896 E8	2904 F12	2912 B11	2920 I3	2931 D14	3906 D2	3913 I3	3921 E5	3928 F11	3935 E13	3942 D13	3950 B9	3958 C11	3966 H12	3973 G14	5850 A4	6835 I13	7837 D11	7843-B E12	7849 D6	9919 H11	
1835 A13	1843 D2	2883 D3	2890 D8	2897 E6	2905 E13	2914 B12	2921 B14	2932 D14	3907 D2	3914 F6	3922 E8	3929 D11	3936 F13	3943 A6	3951 A9	3960 B12	3967 H13	3974 B7	5851 A6	6836 H14	7838 G11	7844-A A10	9893 G2	9920 H11	
1836 C13	2331 D7	2884 F6	2891 D8	2898 E10	2906 F13	2915 C12	2923 E12	3901 B2	3908 H3	3915 F8	3923 E10	3930 G11	3937 E13	3945 A7	3952 B9	3961 H10	3968 I13	3975 I13	5853 B12	7830 A2	7839 E14	7844-B A7	9894 G2	9923 H12	

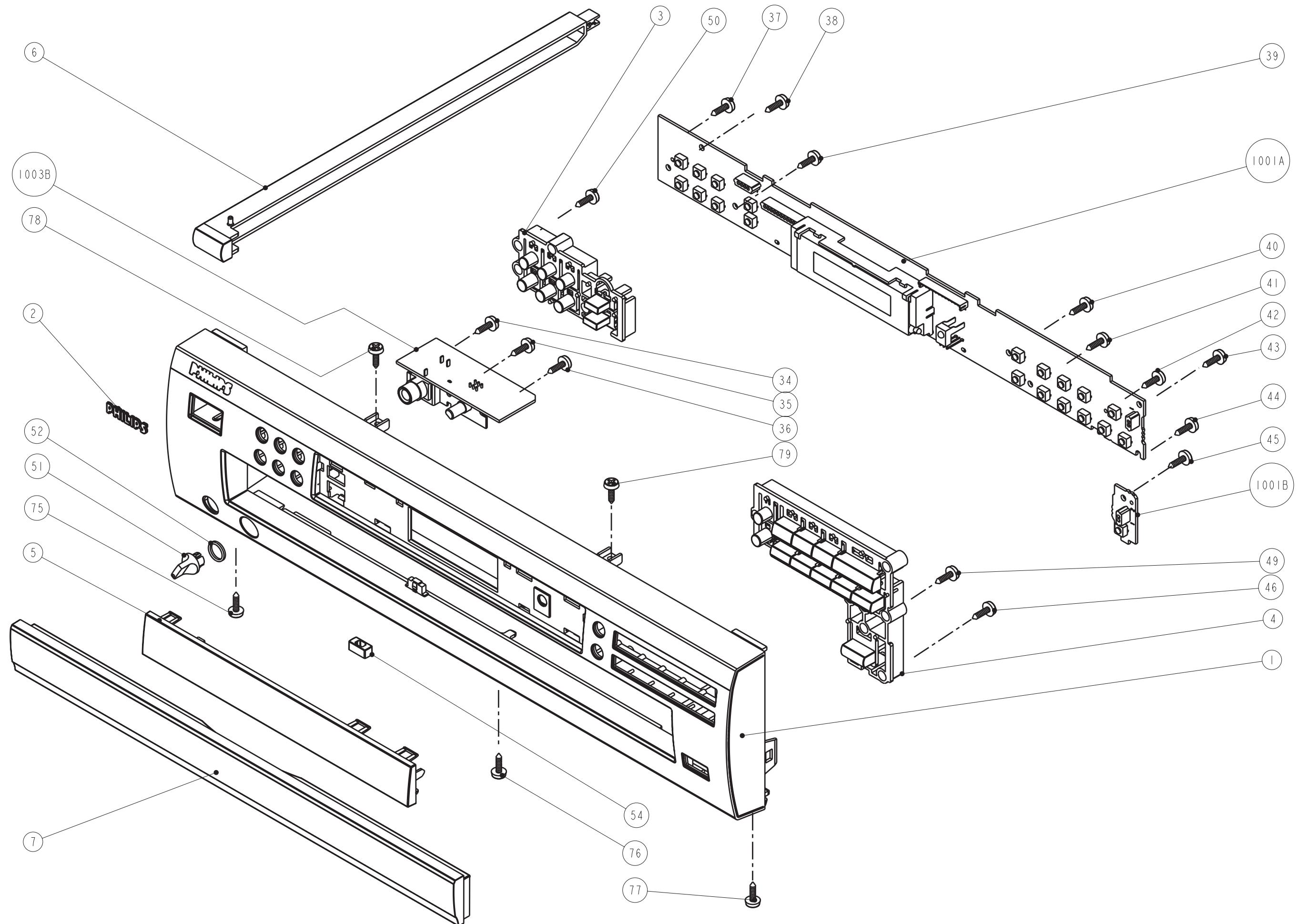




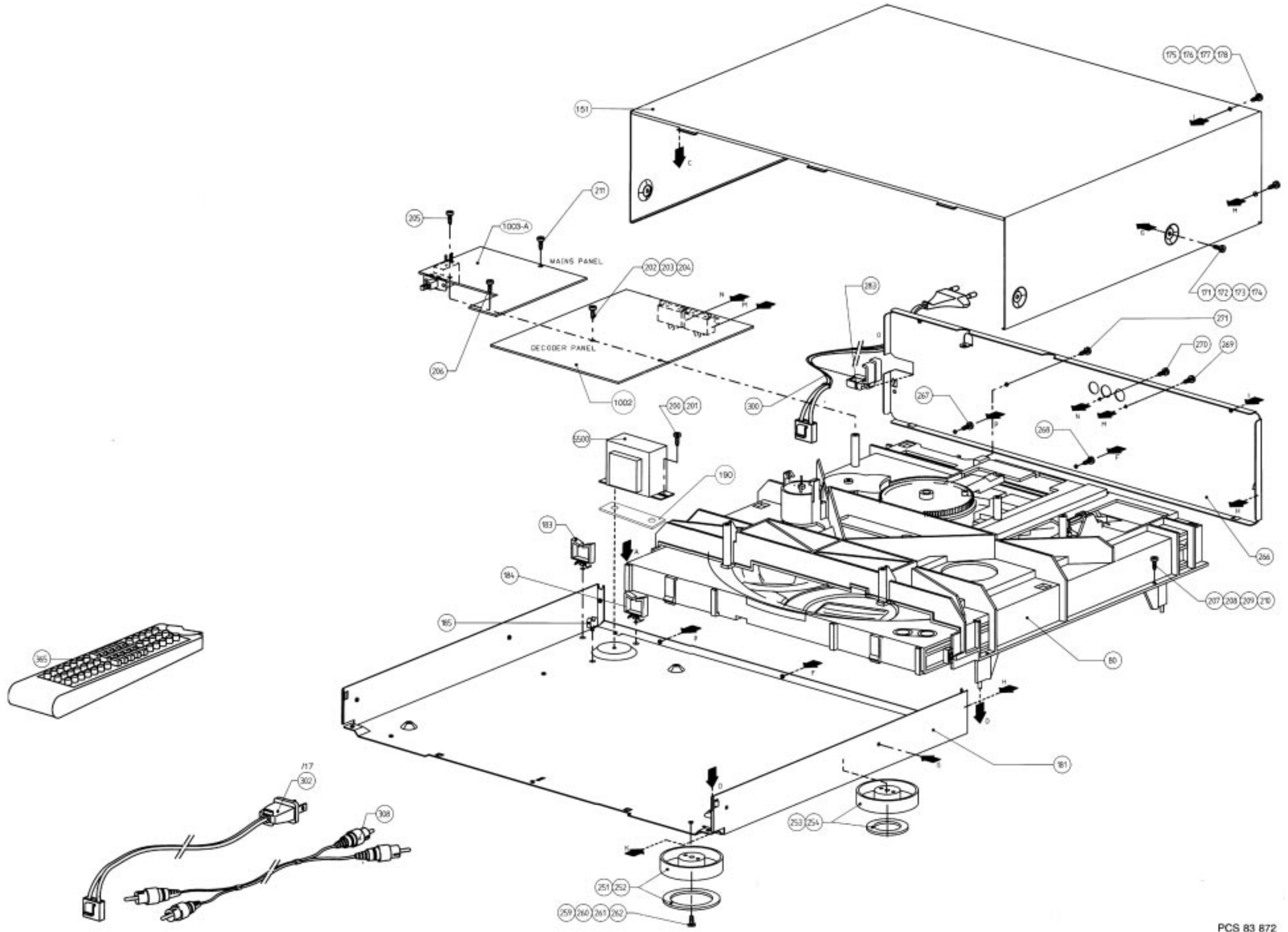




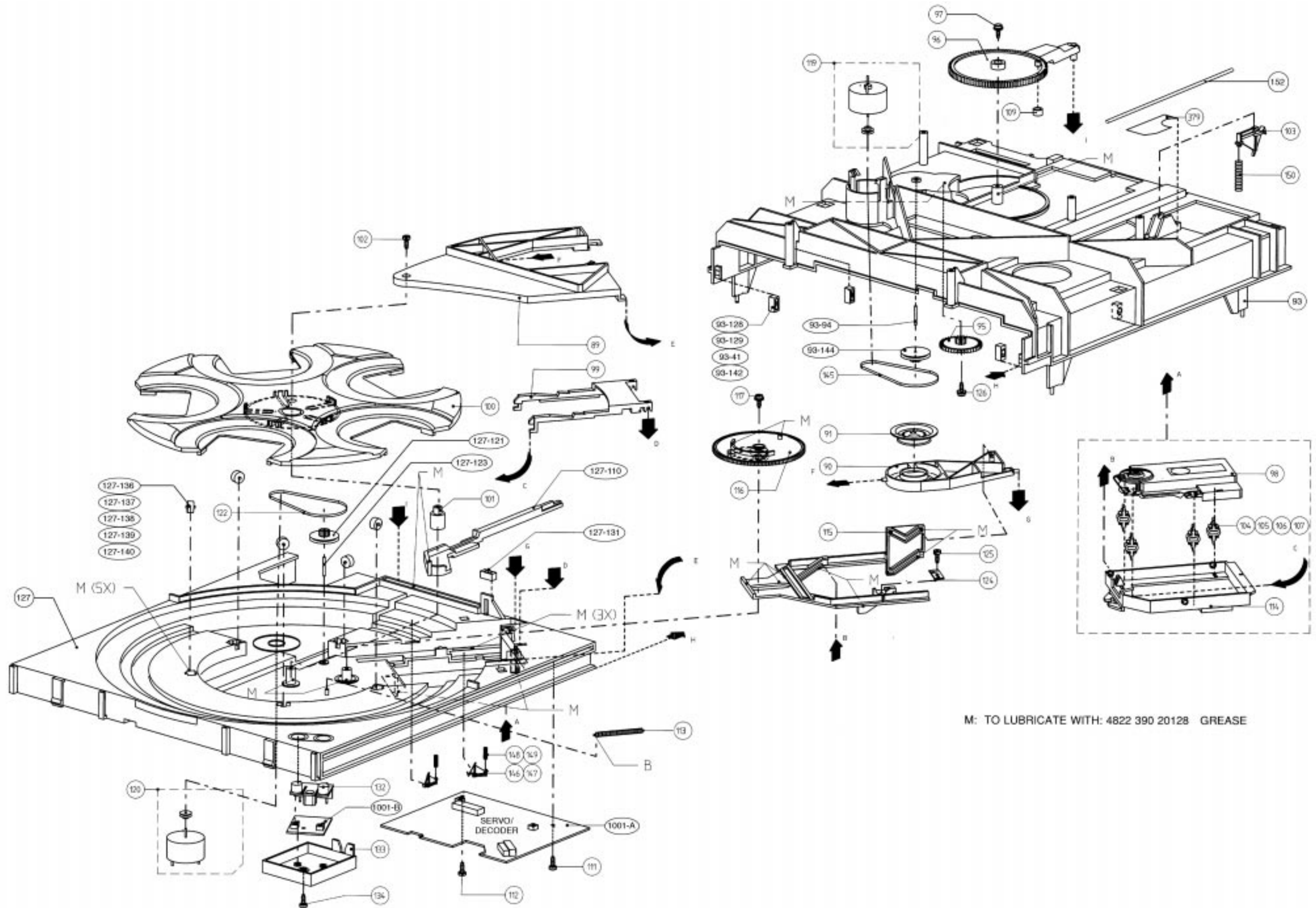
EXPLODED VIEW - FRONT PART



EXPLODED VIEW - REAR PART



EXPLODED VIEW - CDC5 LOADER



**EXPLODED VIEW - CDC5 LOADER**

89	4822 466 93131	Pressure Plate	1054	4822 323 10461	Flex Cable 25 Pin 19cm
90	4822 256 91912	Pressure Ring Holder	M	4822 390 10136	Grease Polylub. GIY801
91	4822 401 11708	Clamper Assembly			
93	4822 426 90109	Frame Assembly	Note:	Only the parts mentioned in this list are normal service spare parts.	
93-128	4822 466 93132	Guide			
93-129	4822 466 93132	Guide			
93-141	4822 466 93132	Guide			
93-142	4822 466 93132	Guide			
93-144	4822 528 50334	Pulley			
95	4822 522 33255	Gearwheel			
96	4822 402 11241	Crank CDC5			
98	4822 691 10615	CD Mechanism VAM1201			
99	4822 403 70598	CDM Lock			
100	4822 466 93129	Rotary Disc Assembly			
101	4822 520 20758	Bearing			
103	4822 401 11447	Tray Tumbler			
104	4822 404 10986	Suspension, Rubber			
105	4822 404 10986	Suspension, Rubber			
106	4822 404 10986	Suspension, Rubber			
107	4822 404 10986	Suspension, Rubber			
109	4822 532 51756	Damping Grommet			
113	4822 492 52313	Tension Spring			
114	4822 256 91915	Support			
115	4822 466 93134	Slide Strip			
116	4822 522 33256	Cam Wheel			
119	4822 361 21562	Motor Assembly			
120	4822 361 21562	Motor Assembly			
122	4822 358 10115	Belt			
124	4822 402 61489	Bracket			
127	4822 444 50685	Tray Assembly			
127-110	4822 401 11444	Switch Bracket			
127-121	4822 528 50334	Pulley			
127-131	4822 466 93132	Guide			
127-136	4822 528 70646	Pinch Roller Assembly			
127-137	4822 528 70646	Pinch Roller Assembly			
127-138	4822 528 70646	Pinch Roller Assembly			
127-139	4822 528 70646	Pinch Roller Assembly			
127-140	4822 528 70646	Pinch Roller Assembly			
132	4822 403 70599	Button Load/Quick Play			
145	4822 358 10115	Belt			
146	4822 402 50291	Lift Tumbler			
147	4822 402 50291	Lift Tumbler			
148	4822 492 52123	Compression Spring			
149	4822 492 52123	Compression Spring			
150	4822 492 52123	Compression Spring			

**EXPLODED VIEW - FRONT & REAR PART**

1	4822 459 05207	Cabinet Front
2	4822 459 10887	Badge Philips Assembly
3	4822 410 12213	Button Set Left
4	4822 410 12214	Button Set Right
5	4822 450 10602	Window Display
6	4822 402 11239	Lever Power Button
7	4822 442 01678	Cover Tray
51	4822 410 11244	Knob Headphone
52	4822 492 51374	Ring
54	4822 466 93132	Guide
151	4822 444 60995	Top Cover
185	4822 401 11791	Wire Clamp Small
190	4822 466 93516	Plate
251	4822 691 10773	Leg Silver
252	4822 691 10773	Leg Silver
253	4822 462 42158	Foot Black
254	4822 462 42158	Foot Black
283	4822 532 60948	Bush, AC Cord
300	4822 321 10809	△ Mains Cord Set /00/01/14
302	4822 321 11464	△ Mains Cord Set /17
308	4822 321 22832	Cinch Cable 100cm
384	4822 219 10343	Remote Control RC0796/01
387	4822 736 16685	Instruction For Use /00
387	4822 736 16699	Instruction For Use /01
387	4822 736 16686	Instruction For Use /14
387	4822 736 16641	Instruction For Use /17
5500	4822 146 31373	△ Mains Transformer /00/14
5500	4822 146 31196	△ Mains Transformer /01
5500	4822 146 31374	△ Mains Transformer /17

Note: Only the parts mentioned in this list are normal service spare parts.

Service  
Service  
**Service**



# Service Manual



## Introduction of CDC775/00G/01G/14G/17G

For Service documentation please refer to Service Manual  
CDC775 - 4822 725 25851

1. CDC775/00G refers to CDC775/00
2. CDC775/01G refers to CDC775/01 except:  
387 3139 116 19730 Instruction for use
3. CDC775/14G refers to CDC775/14
4. CDC775/17G refers to CDC775/17 except:  
387 3139 116 1965 Instruction for use

© Copyright 1999 Philips Consumer Electronics B.V. Eindhoven, The Netherlands  
All rights reserved. No part of this publication may be reproduced, stored in a retrieval system or  
transmitted, in any form or by any means, electronic, mechanical, photocopying, or otherwise  
without the prior permission of Philips.

Published by KC 9947 Service Audio Printed in The Netherlands Subject to modification



3139 785 22200

PCS 103 371



# PHILIPS

