

CDR570
 CDR770
 CDR775
 CDR930
 CDR950

Service
 Service
Service

Service Manual



Contents	Page
1 Introduction	2
2 Safety- and maintenance instructions, warnings and notes	3
3 Directions for use	6
4 <i>Mechanical instructions</i>	7
Loader CDL4009	7
CDL3800	8
Demounting CDL3800	9
Exploded view CDM3800	11
Cleaning lens	12
Lubricating	13
5 <i>Service modes, faultfindingtrees and repair tips</i>	14
Service modes	14
Faultfindingtrees	18
6 Blockdiagrams	33
7 Electrical diagrams and PWB's	34
8 Alignments, Adjustments	75
9 Circuit description	76
List of abbreviations	77
10 Sparepart list	85

©Copyright reserved 2000 Philips Consumer Electronics B.V. Eindhoven, The Netherlands. All rights reserved. No part of this publication may be reproduced, stored in a retrieval system or transmitted, in any form or by any means, electronic, mechanical, photocopying, or otherwise without the prior permission of Philips.



PHILIPS

1. Technical Specifications/Introduction.

In this document the important issues for the mechanical and electrical testing, adjusting, checking and diagnosing of the Digital Audio CDR Module such as applied in so-called 3rd generation CDR recorders is described.

In this first chapter is presented the introduction of the repair manual for 2nd line repair workshops. It contains the repair instructions of the CDR Module CDL4009 + Mainboard 4228. All modules consist of the same loader + CDM part, the mounting of the components on the Mainboard deviates from each other. For that reason a separate CDR-module has been defined for each type/modelnumber.

On top of that: Each mainboard connected to another CDM has to be adjusted before that module can be used. To have this module on component level repaired this second line service (repair) manual has to be used in combination with the "first" line service manual of mentioned typenumber. As long as the adjustment instructions can not be carried out, the module has to be exchanged by an adjusted one from Service stock in case of repairs concerning CDM and/or Servo circuits.

Chapter 2 contains the required safety instructions, in chapter 3 a referring to the directions for use, as published in the typenumber Service Manual, is made.

In chapter 4 the mechanical exploded view of the complete module, the loading part and the CDM3800 is presented. This chapter also includes the mounting, demounting, cleaning and greasing instruction.

In chapter 5 the internal selfdiagnostics without opening the set and use of other tools is described in the service modes. The faultfinding trees and repair suggestions like the power supply voltages for proper functioning of the mainboard are indicated there too. This chapter also contains initialising and reset, concerned measuring points are highlighted. For proper functioning of all ICs the clockfrequencies have to be tested and the importance of derived clockfrequencies is shown. and how to operate with the menu driven diagnostics. Via a PC connection (serial input socket RS232C) the Menu Driven Diagnostics feature is started.

To improve the interactivity and communication with the set/module the COMPAIR (the for service designed computer aided repair) tool is supported too by this CDR generation. Details to be defined soonest and will be published by a service information bulletin later on.

Via blockdiagrams of applied boards the common issues of all boards are shown and in short explained in chapter 6.

In chapter 7 the circuit diagrams and printed wiring boards with important measuring points are shown.

The adjustment of the laser current (only one important and necessary adjustment has to be carried out, the rest of the adjustments are calculated from that parameter onwards) will be presented in chapter 8. The needed PC program is under investigation now and with the implementation of COMPAIR this adjustment action will be explained. The method how to align the software, if needed, is indicated here.

In chapter 9 reference is made to existing 3rd generation circuit description in which publication a lot of details about the functioning of the set is explained.

Also the list of abbreviations is inserted here.

Finally a survey of applied components and corresponding service ordering numbers is given in chapter 10.

As the Mainboard 4228 is designed to be applied for several modelnumbers this board contains a lot of optional components.

The most extended board is modelnumber CDR775 where double speed dubbing feature is applied too.

2. Safety and Maintenance instructions warnings and notes

(GB) WARNING

All ICs and many other semi-conductors are susceptible to electrostatic discharges (ESD). Careless handling during repair can reduce life drastically.

When repairing, make sure that you are connected with the same potential as the mass of the set via a wrist wrap with resistance. Keep components and tools also at this potential.



(NL) WAARSCHUWING

Alle IC's en vele andere halfgeleiders zijn gevoelig voor elektrostatische ontladingen (ESD).

Onzorgvuldig behandelen tijdens reparatie kan de levensduur drastisch doen verminderen.

Zorg ervoor dat u tijdens reparatie via een polsband met weerstand verbonden bent met hetzelfde potentiaal als de massa van het apparaat.

Houd componenten en hulpmiddelen ook op hetzelfde potentiaal.

(F) ATTENTION

Tous les IC et beaucoup d'autres semi-conducteurs sont sensibles aux décharges statiques (ESD).

Leur longévité pourrait être considérablement écourtée par le fait qu'aucune précaution n'est prise à leur manipulation.

Lors de réparations, s'assurer de bien être relié au même potentiel que la masse de l'appareil et enfiler le bracelet serti d'une résistance de sécurité.

Veiller à ce que les composants ainsi que les outils que l'on utilise soient également à ce potentiel.

(D) WARNUNG

Alle IC und viele andere Halbleiter sind empfindlich gegen elektrostatische Entladungen (ESD).

Unsorgfältige Behandlung bei der Reparatur kann die Lebensdauer drastisch vermindern. Sorgen sie dafür, das Sie im Reparaturfall über ein Pulsarmband mit Widerstand mit dem Massepotential des Gerätes verbunden sind.

Halten Sie Bauteile und Hilfsmittel ebenfalls auf diesem Potential.

(I) AVVERTIMENTO

Tutti IC e parecchi semi-conduttori sono sensibili alle scariche statiche (ESD).

La loro longevità potrebbe essere fortemente ridotta in caso di non osservazione della più grande cauzione alla loro manipolazione.

Durante le riparazioni occorre quindi essere collegato allo stesso potenziale che quello della massa dell'apparecchio tramite un bracciale a resistenza.

Assicurarsi che i componenti e anche gli utensili con quali si lavora siano anche a questo potenziale.

(GB)

Safety regulations require that the set be restored to its original condition and that parts which are identical with those specified be used.

(NL)

Veiligheidsbepalingen vereisen, dat het apparaat in zijn oorspronkelijke toestand wordt terug gebracht en dat onderdelen, identiek aan de gespecificeerde worden toegepast.

(D)

Bei jeder Reparatur sind die geltenden Sicherheitsvorschriften zu beachten. Der Originalzustand des Gerats darf nicht verändert werden. Für Reparaturen sind Original-Ersatzteile zu verwenden.

(I)

Le norme di sicurezza esigono che l'apparecchio venga rimesso nelle condizioni originali e che siano utilizzati pezzi di ricambio identici a quelli specificati.

(F)

Les normes de sécurité exigent que l'appareil soit remis à l'état d'origine et que soient utilisées les pièces de rechange identiques à celles spécifiées.



**CAUTION
VARO!
WARNING
ADVERSEL
DANGER
VORSICHT**

INVISIBLE LASER RADIATION WHEN OPEN. AVOID EXPOSURE TO BEAM.
AVATTAESSA OLET ALTIINA NÄKYMÄTTÖMÄLLE LASER SÄTEILYLLE ÄLÄ KATSO SÄTEESEN.
ÖSYNLIG LASERSTRÅLNING NÄR DENNA DEL ÄR ÖPPNAD BETRAKTA EJ STRÅLEN.
USYNLIG LASERSTRÅLNING VED ÅBNING. UNDGÅ UNSÆTTELSE FOR STRÅLING.
INVISIBLE LASER RADIATION WHEN OPEN. AVOID DIRECT EXPOSURE TO BEAM.
UNSICHTBARE LASERSTRAHLUNG WENN ABEDECKUNG GEÖFFNET. NICHT DEM STRAHL AUSSETZEN.

SHOCK, FIRE HAZARD SERVICE TEST:

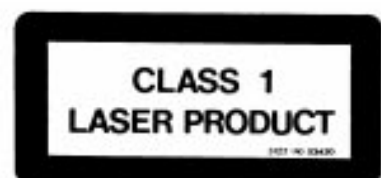
CAUTION: After servicing this appliance and prior to returning to customer, measure the resistance between either primary AC cord connector pins (with unit NOT connected to AC mains and its Power switch ON), and the face or Front Panel of product and controls and chassis bottom,

Any resistance measurement less than 1 Megohms should cause unit to be repaired or corrected before AC power is applied, and verified before return to user/customer.

Ref.UL Standard NO.1492.

NOTE ON SAFETY:

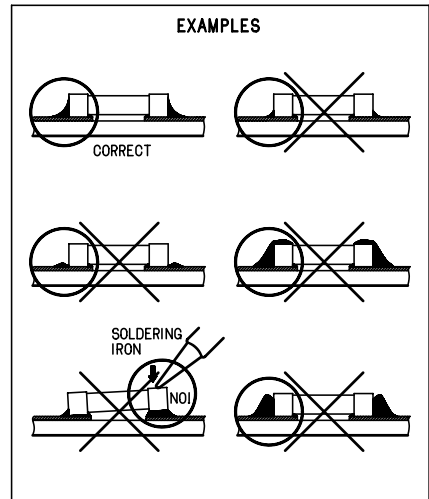
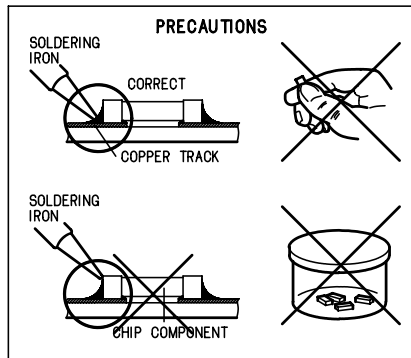
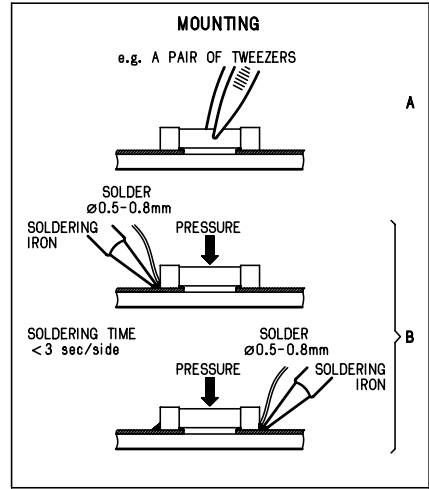
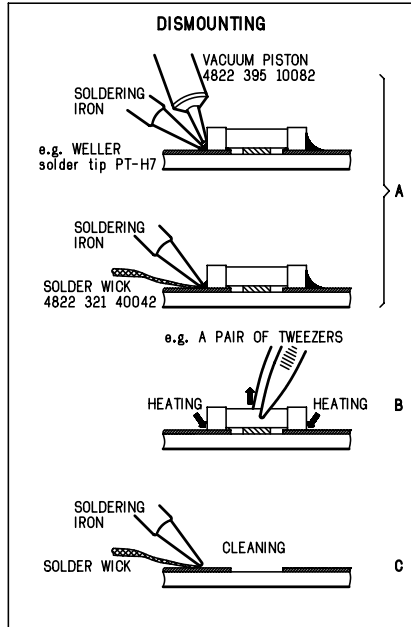
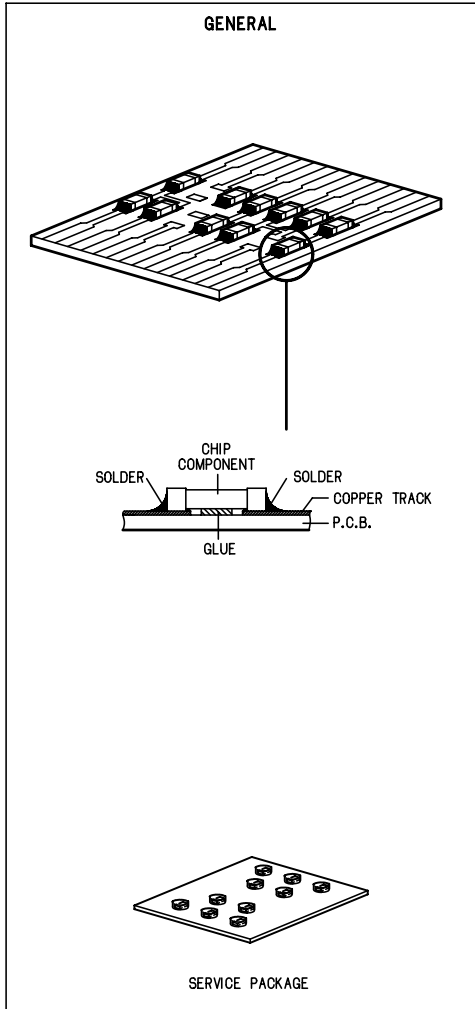
Symbol : Fire or electrical shock hazard. Only original parts should be used to replace any part with symbol Any other component substitution (other than original type), may increase risk of fire or electrical shock hazard.



Pour votre sécurité, ces documents doivent être utilisés par des spécialistes agréés, seuls habilités à réparer votre appareil en panne.

SERVICING HINTS

In the set, chip components have been applied. For disassembly and assembly check the figure below.



SAFETY GUIDELINES FOR THE PROFESSIONAL SERVICE TECHNICIAN

Important

Proper service and repair is important to the safe, reliable operation of all Philips equipment. The service procedures recommended by Philips and described in this service manual are effective methods of performing service operations. Some of these service operations require the use of tools specially designed for the purpose. The special tools should be used when and as recommended.

It is important to note that this manual contains various CAUTIONS and NOTICES which should be carefully read in order to minimize the risk of personal injury to service personnel. The possibility exists that improper service methods may damage the equipment. It also is important to understand that these CAUTIONS and NOTICES ARE NOT EXHAUSTIVE. Philips could not possibly know, evaluate and advise the service trade of all conceivable ways in which service might be done or of the possible hazardous consequences of each way. Consequently, Philips has not undertaken any such broad evaluation. Accordingly, a servicer who uses a service procedure or tool which is not recommended by Philips must first satisfy himself thoroughly that neither his safety nor the safe operation of the equipment will be jeopardized by the service method selected.

Safety Checks

After the original service problem has been corrected, a complete safety check should be made. Be sure to check over the entire set, not just the areas where you have worked. Some previous servicer may have left an unsafe condition, which could be unknowingly passed on to your customer. Be sure to check all of the following:

Fire and Shock Hazard

1. Be sure all components are positioned in such a way as to avoid the possibility of adjacent component shorts. This is especially important on those units which are transported to and from the service shop.
2. Never release a repaired unit unless all protective devices such as insulators, barriers, covers, strain reliefs, and other hardware have been installed according to the original design.
3. Soldering and wiring must be inspected to locate possible cold solder joints, solder splashes, sharp solder points, frayed leads, pinched leads, or damaged insulation (including the ac cord). Be certain to remove loose solder balls and all other loose foreign particles.
4. Check across-the-line components and other components for physical evidence of damage or deterioration and replace if necessary. Follow original layout, lead length, and dress.
5. No lead or component should touch a resistor rated at 1 watt or more. Lead tension around protruding metal surfaces or edges must be avoided.
6. Critical components having special safety characteristics are identified with a **▲** by the Ref. No. in the parts list and enclosed within a broken line* (where several critical components are grouped in one area) along with the safety symbol **▲** on the schematic diagrams and/or exploded views.
Replacement parts without the same safety characteristics may create shock, fire, or other hazards.
7. When servicing any unit, always use a separate isolation transformer for the chassis. Failure to use a separate isolation transformer may expose you to possible shock hazard, and may cause damage to servicing instruments.
8. Many electronic products use a polarized ac line cord (one wide pin on the plug). Defeating this safety feature may create a potential hazard to the servicer and the user. Extension cords which do not incorporate the polarizing feature should never be used.

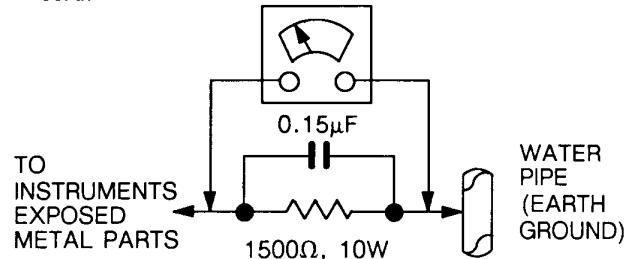
Fire and Shock Hazard (Continued)

9. After reassembly of the unit, always perform an ac leakage test or resistance test from the line cord to all exposed metal parts of the cabinet. Also, check all metal control shafts (with knobs removed), antenna terminals, handles, screws, etc. to be sure the unit is safe to operate without danger of electrical shock.

* Broken line: 

Leakage Current Cold Check

1. Unplug the ac line cord and connect a jumper between the two prongs of the plug.
2. Turn on the power switch.
3. Measure the resistance value between the jumpered ac plug and all exposed cabinet parts of the receiver, such as screw heads, antennas, and control shafts. When the exposed metallic part has a return path to the chassis, the reading should be between 1 megohm and 5.2 megohms. When the exposed metal does not have a return path to the chassis, the reading must be infinity. Remove the jumper from the ac line cord.



Leakage Current Hot Check

1. Do not use an isolation transformer for this test. Plug the completely reassembled unit directly into the ac outlet.
2. Connect a 1.5k, 10W resistor paralleled by a 0.15μF. capacitor between each exposed metallic cabinet part and a good earth ground such as a water pipe, as shown above.
3. Use an ac voltmeter with at least 5000 ohms/volt sensitivity to measure the potential across the resistor.
4. The potential at any point should not exceed 0.75 volts. A leakage current tester may be used to make this test; leakage current must not exceed 0.5 milliamps. If a measurement is outside of the specified limits, there is a possibility of shock hazard. The receiver should be repaired and rechecked before returning it to the customer.
5. Repeat the above procedure with the ac plug reversed. (Note: An ac adapter is necessary when a polarized plug is used. Do not defeat the polarizing feature of the plug.)

Parts Replacement

1. Many electrical and mechanical parts in Philips equipment have special safety related characteristics. These characteristics are often not evident from visual inspection nor can the protection afforded by them necessarily be obtained by using replacement components rated for higher voltage, wattage, etc. The use of a substitute part which does not have the same safety characteristics as the Philips recommended replacement part shown in this service manual may create shock, fire, or other hazards. Under no circumstances should the original design be modified or altered without written permission from Philips. Philips assumes no liability, express or implied, arising out of any unauthorized modification of design. Servicer assumes all liability.
2. All ICs and many other semiconductor parts are susceptible to electrostatic discharges (ESD). Careless handling during repair can reduce the life of the part drastically.

LASER NOTE:
DANGER - Invisible laser radiation when open. AVOID DIRECT EXPOSURE TO BEAM.
CAUTION - Use of controls or adjustments or performance of procedures other than those specified herein may result in hazardous radiation exposure.
CAUTION - The use of optical instruments with this product will increase eye hazard.

3. Instructions for use

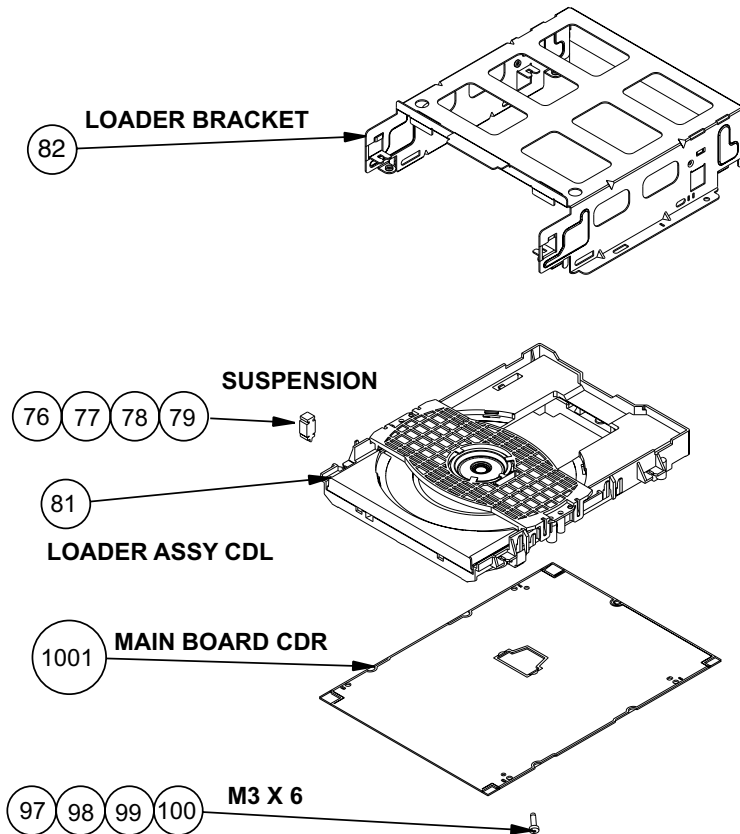
See service manual of concerned modelnumber in which the instructions for use has been inserted. This chapter has not been filled as this module of CDR Module CDL4009 + Mainboard 4228 is only a part of a complete set.

4. Mechanical instructions

4.1 Loader CDL4009

CDL4009 consists of metal loader bracket item 82 and glued on it an identification sticker (on which the module production number and production code is printed); 4 suspension rubbers items 76, 77, 78 and 79 which carry loader assembly item 81;

and on the bottom side the CDR mainboard 1001 is mounted. Notice that mainboard is dependant to the applied set and has to be adjusted to mounted CDM in loader in case of exchange. See next figure, Loader CDL4009



82: LOADER BRACKET
81: LOADER ASSY CDL
76: SUSPENSION

3104 121 23900
9305 043 20900
3104 144 05730

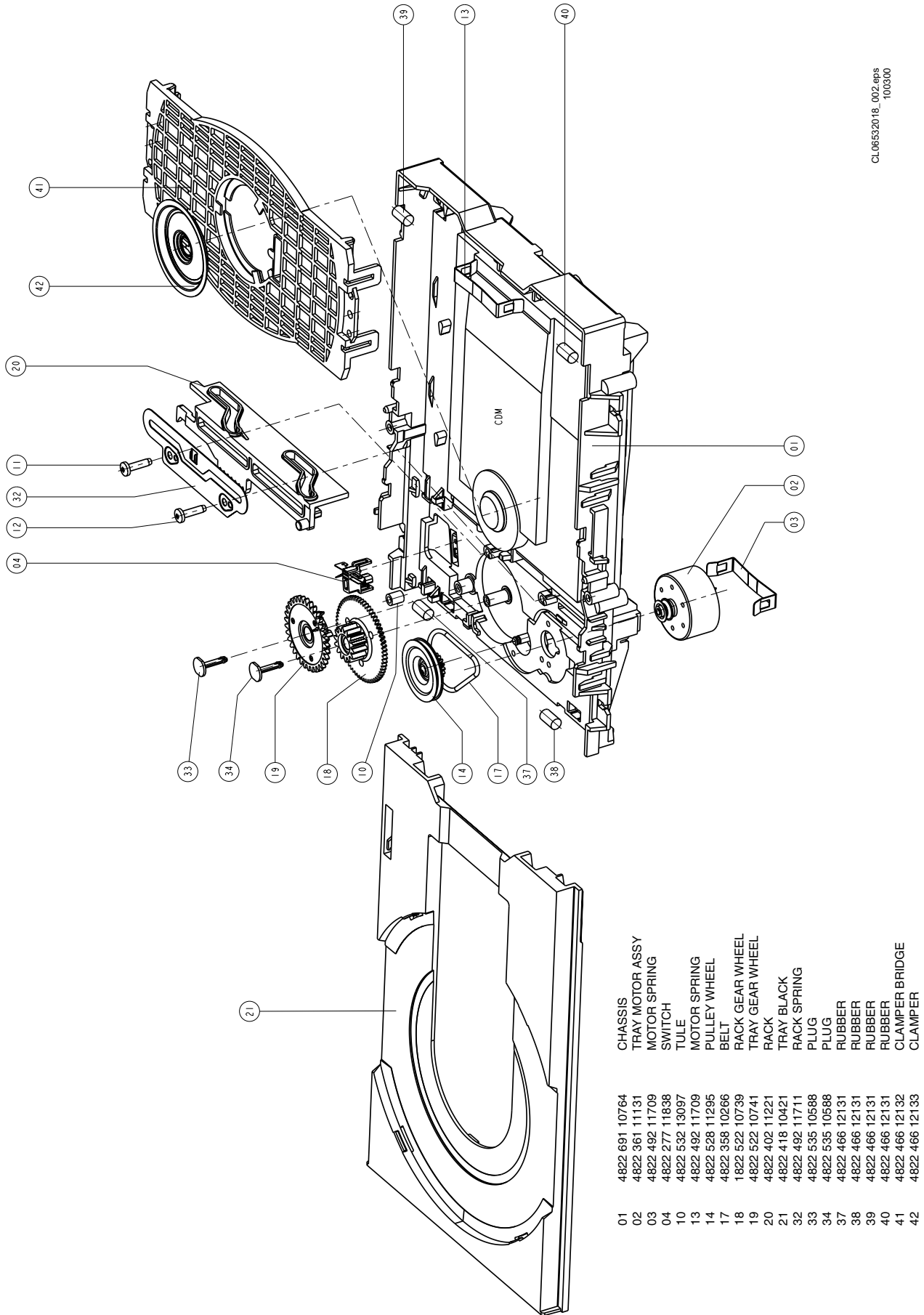
CL06532018_001.eps
090300

Figure 4-1

To demount loader module CDL4009:

1. Mainboard item 1001. Beware of connections to CDM.
Optical pick-up unit has to be ESD protected!
2. Loosen suspensions 76, 77, 78 and 79 from metal loader bracket 81
3. Take out Loader assy CDL

4.2 Exploded view CDL3800



CL06532018_002.eps
 100300

Figure 4-2

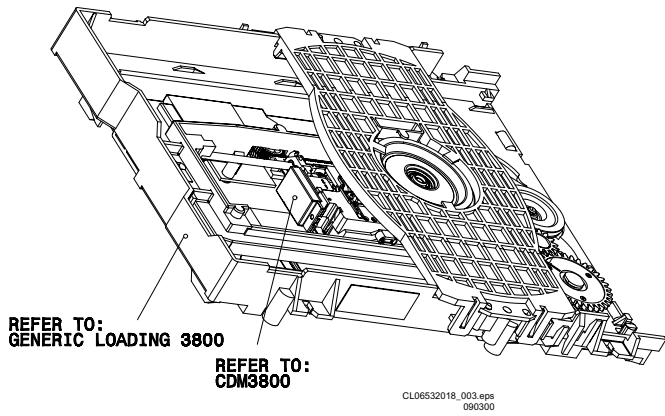


Figure 4-3

4.3 DEMOUNTING LOADER CDL3800

Remove the following items starting with:
(For the item numbers refer to the Exploded Views CDL3800, figure 4.2)

4.3.1 Release and remove tray

Push to open the tray on the rack (item 20)

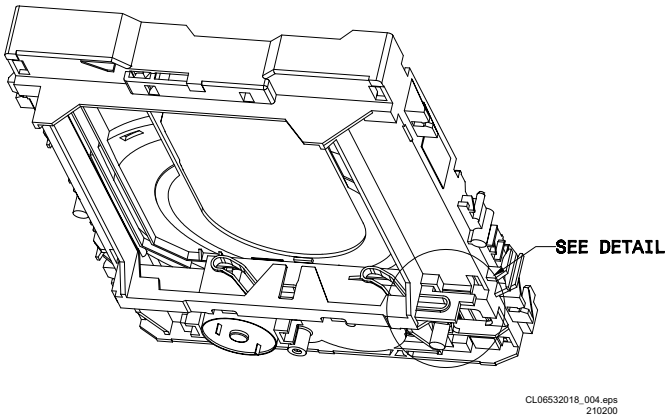


Figure 4-4

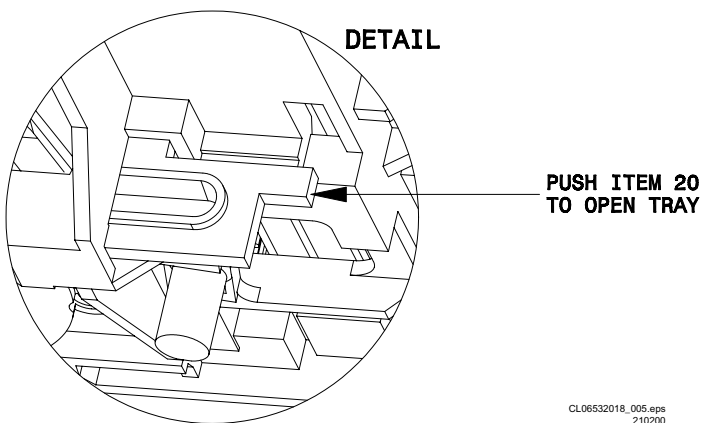


Figure 4-5

Tray

Pull out the tray (item 21) until it sticks. Press the lock at the left side of the tray upwards. Pull out the tray.

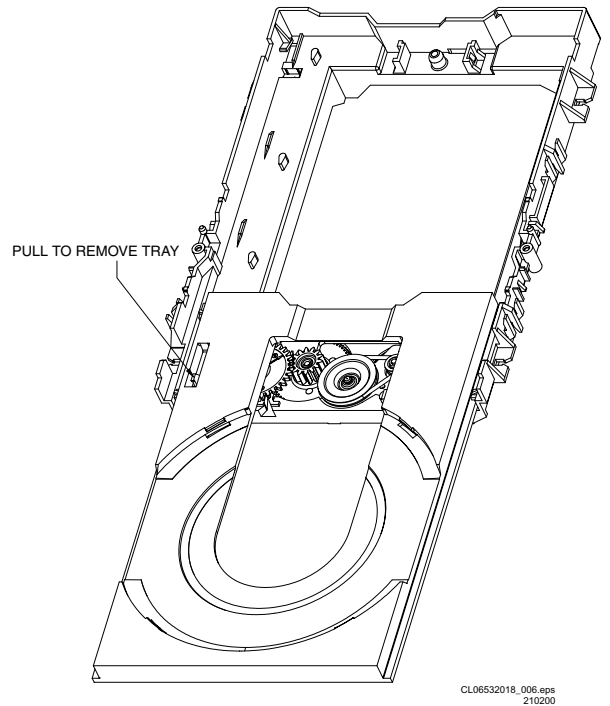


Figure 4-6

Tray motor assey

Remove the tray motor belt (item 17).
Loosen the motorspring (item 3) with a pair of tweezers or a screwdriver via the rectangular hole at the right side of the tray motor.

Clamper bridge

Bend the locks-profiles on both sides of the clamper bridge (item 41) carefully to the outside and lift up the clamper bridge.

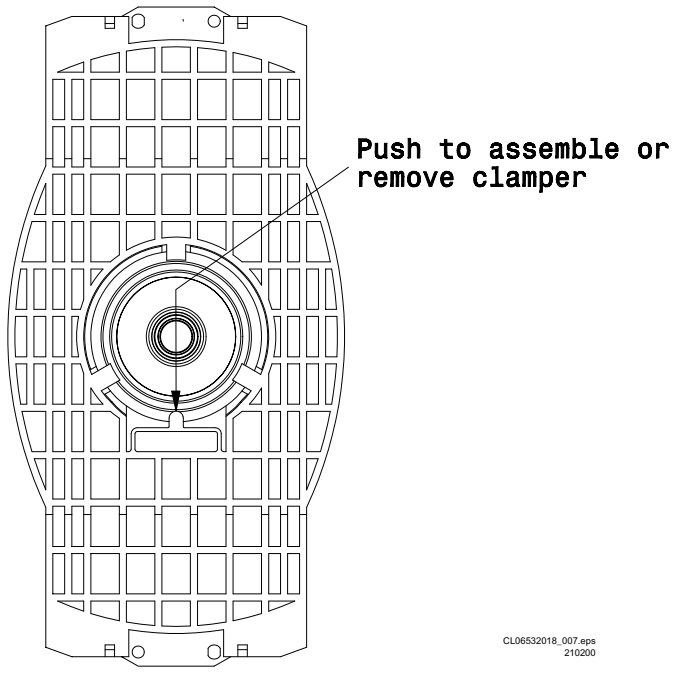
CDM

Place the loader upside down and remove the motorspring (item 13) with a pair of tweezers or a screwdriver, but hold the CDM so it can't fall down.

Rack

First remove the rack spring (item 32) by unscrewing items 11 and 12.

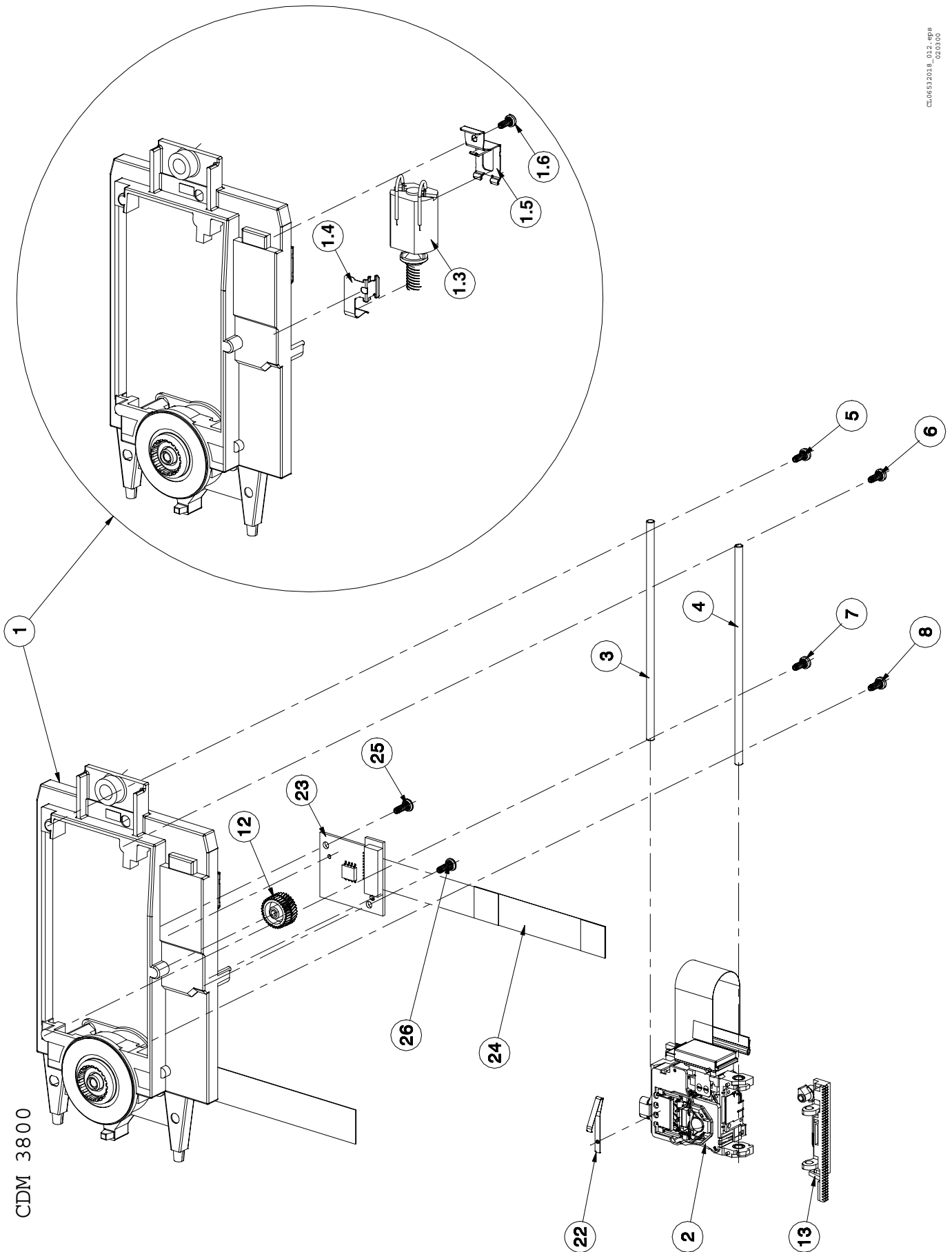
Clamper



CL06532018_007.eps
210200

Figure 4-7

4.4 Exploded view CDM3800



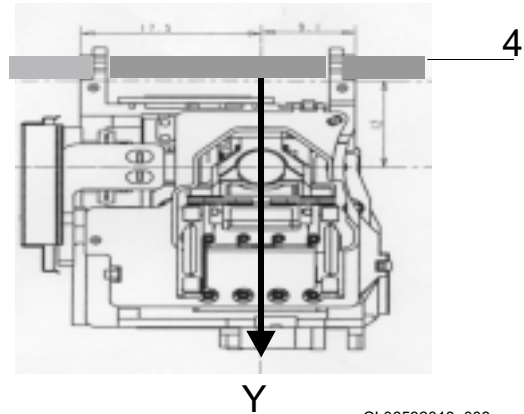
CD06512018_012.dwg
02/03/00

Figure 4-8

3104 147 01580 CDM3800 COMPLETE

1: 4822 691 10765 MOUNTING PLATE ASSY
 1.3: 4822 361 11132 SLEDGE MOTOR ASSY
 2: 3104 147 12890 OPU-24.24
 3: 4822 535 10591 THIRD BEARING AXLE
 4: 4822 535 10591 AXLE
 12: 4822 528 11297 COMBI WHEEL
 13: 4822 522 10742 GEAR RACK ASSY
 22: 3104 141 21830 THIRD BEARING SPRING

2100: 4822 126 13196 100nF 10% 25V
 3100: Δ4822 051 20101 100Ω 5% 0,1W
 5101: 4822 130 11531 SENSOR LT125A



CL06532018_008.eps
 210200

4.5 Cleaning objective lens

4.5.1 CLEANING PRESCRIPTION OBJECTIVE LENS

- Cleaning fluid

The lens cleaner codenumber reads 4822 389 10026

- Procedure

- Take a clean cotton wool tipped stick and put Lens-cleaner on the wool.
- Wipe the lens very softly with the wet wool end of the stick by moving it forwards and backwards in the Y-direction. (see drawing)
- Take a dry cotton wool tipped stick and remove the Lens-cleaner from the lens by moving it very softly back and forth in the Y-direction (see drawing)
- During cleaning, take the necessary precautions in order to prevent damage to the*Actuator (hinges, lens, litze-wires) or OPU (ESD, ...) Do not remove axle (item 4, see drawing) from OPU, because the fixing screws of axle are deforming it at it's end. On their turn these deformings are damaging the hinges of the OPU when loosening the axle.

- Application

This cleaning procedure is only applicable for the flat side (upside) of the lens.

Never try to clean the round side (underside) of the lens (replica-side).

With this cleaning procedure, fingerprints and dust can easily be removed with very soft and gently movements of the cotton wool tipped stick.

- Limitation

This cleaning procedure is only applicable in cases of malfunctions of the product, due to lens-problems. It's not ment to be applied on 100% of the actuators, OPU's.

After cleaning, the product must be re-checked on it's functionality.

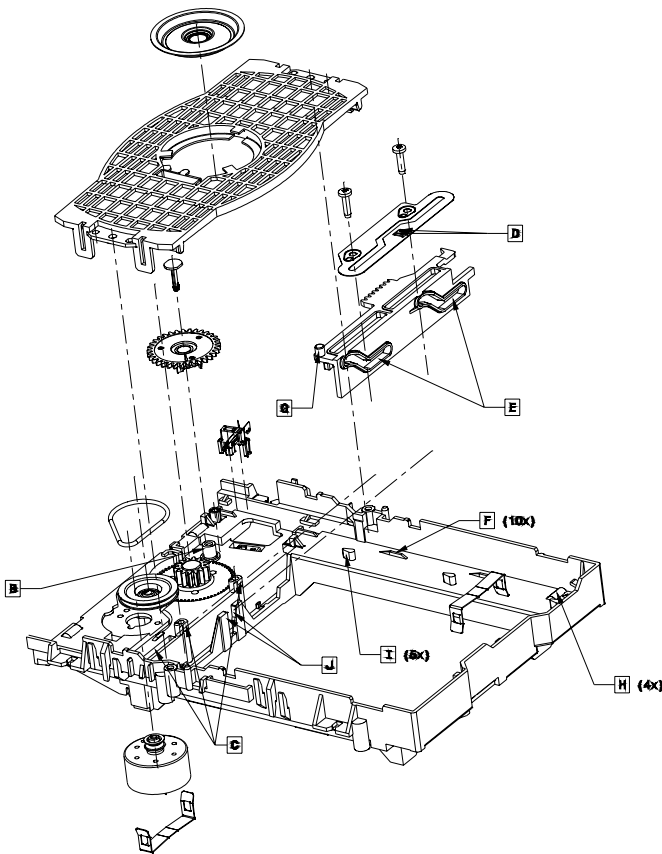
Figure 4-9

4.6 Lubricating

4.6.1 LUBRICATING INSTRUCTIONS FOR GENERIC LOADING CDL3800

USE TRIBOL GREASE (1322 523 78101)
 Be careful when lubricating the parts.
 For parts and points to apply grease, refer to the drawing figure 4-10.

- Avoid excess grease.
 - B. The bearing of the gearwheel. Grease on upper part of cylindrical surface.°
 - C. Guiding and 2 guiding pins of the rack on the chassis.°
 - D. The guiding of the rackspring.*
 - E. The 2 guiding profiles of the rack.*
 - F. 10 guiding surface of the chassis on the tray.*
 - G. The guiding pin on the rack.*
 - H. On top (in the middle) of the 4 rubbers.*
 - I. Guiding on the chassis of the tray. Grease around the 5 guiding pins.*
 - J. The guiding ribs of the chassis for guiding the CDM-nose.*
- °=Lubricated with dosing apparatus.
 *=Lubricated with a brush.



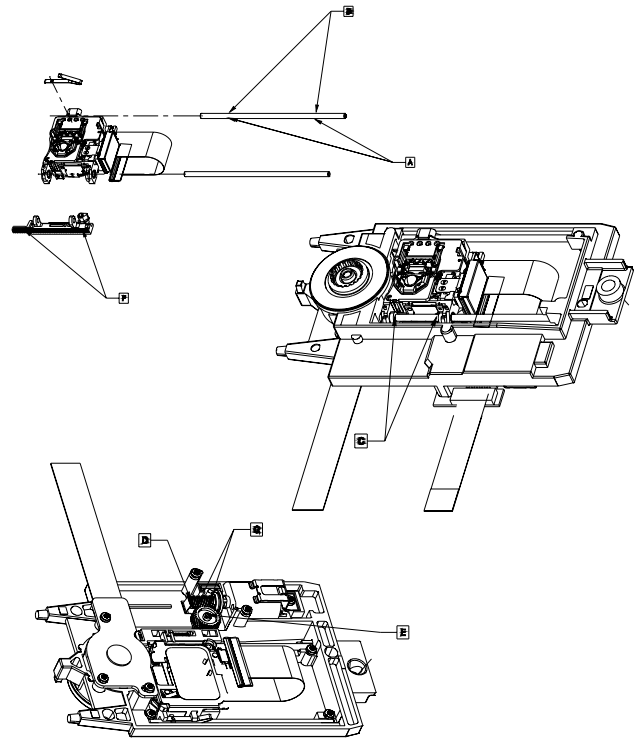
CL06532018_009.eps
210200

Figure 4-10

4.6.2 Lubricating instructions for CDM3800

- USE TRIBOL GREASE (1322 523 78101)
- The third bearing axle (item 3, 4822 535 10591) on the upperside of the axle 2x
- The third bearing axle on the bottomside of the axle 2x
- The OPU bearing with Mobil Oil SHC 629 (see next paragraph)
- The top of the worm
- The pressed in axle on the top
- The gear rack assy (item 13, 4822 522 10742) on the teeth 2x

Between worm and combiwheel (item 12, 4822 528 11297)2x

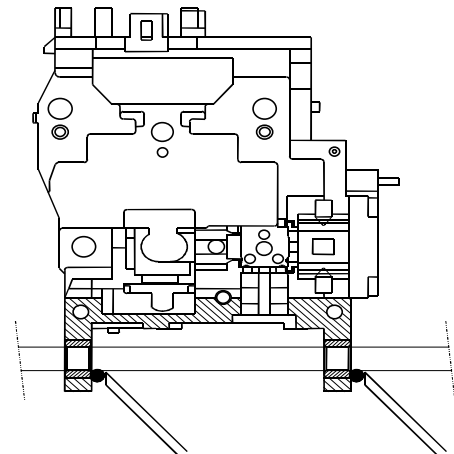


CL06532018_010.eps
020300

Figure 4-11

Oiling the centrifuged bearings

USE MOBIL OIL SHC 629 (3104 129 52260)
 Use dose apparatus
 Place the needle against the bearing and axle.
 Dose one (1) drop of oil there where the bearing touches the axle (see drawing figure 4-12)
 Repeat this handling for the second bearing
 Move the OPU for a few times up and down.
REMARKS:
 Do not use the oil on the axle alone. Always place the oil drop against the bearing.
 No oil on top of the OPU.



2x 1 DROP OF OIL

CL06532018_011.eps
020300

Figure 4-12

5. Service modes, repair tips and faultfinding trees

5.1 Service modes

In this paragraph the internal selfdiagnostics without opening the set and use of other tools is described.

Notice: Module is mounted in a set

5.1.1 Dealer mode

The purpose of the dealer mode is to prevent people taking out the CD inside the player at exhibitions, showrooms etc.. This mode disables the open/close function of the player. The dealer mode can be switched on and off pressing keys [OPEN/CLOSE] and [STOP] of the CDR player simultaneously while switching on the unit. The dealer mode is stored in the flash memory and can only be changed by executing the above actions.

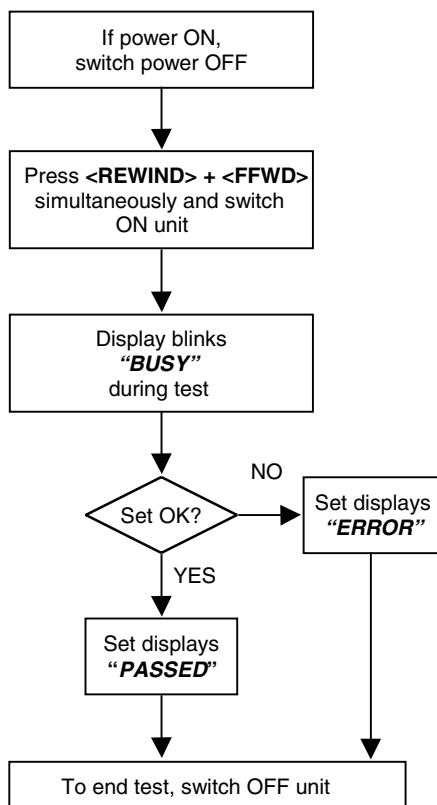
5.1.2 Dealer diagnostics

display. Pressing keys [F FWD] and [REWIND] simultaneously while switching on the unit, starts the test. Switching off the unit ends the test.

Requirements to perform the test

- Working keyboard to start up the test.
- Working local display to check the output messages.

DEALER DIAGNOSTICS (status of player)



CL96532086-024.eps
090999

Figure 5-1

Description

The intention of the dealer diagnostics is to give an indication of the CDR player status. An inexperienced, even non-technical dealer will/can perform the test. Tests are executed automatically without need for external tools or disassembly of the unit. This test checks the CDR main board using the same tests as the electrical service diagnostics program. Only the result of the test, "PASSED" or "ERROR", will be shown on the

5.1.3 Electrical service diagnostics

ELECTRICAL SERVICE DIAGNOSTICS
(software versions, test for defective components)

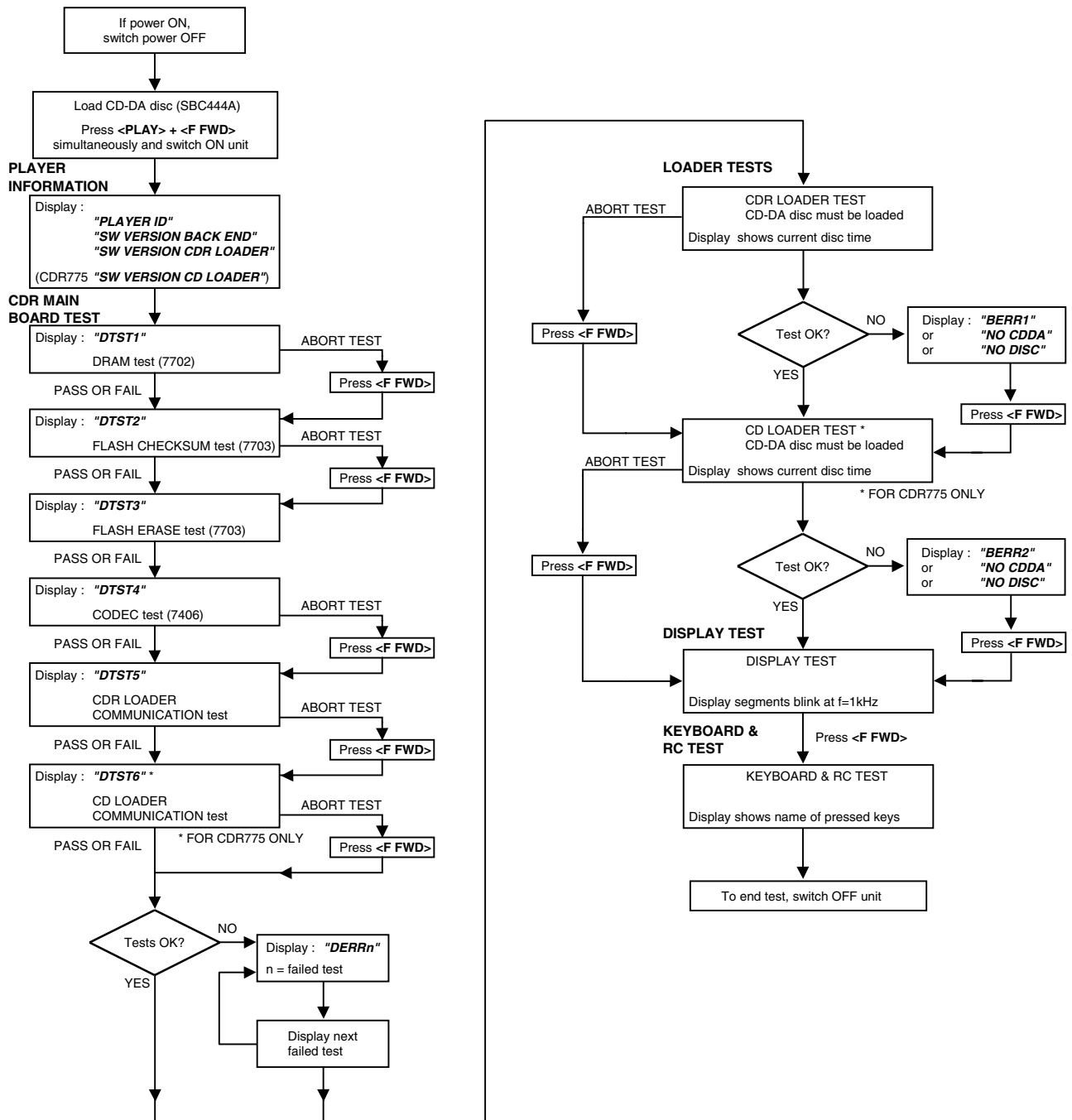


Figure 5-2

Description

The intention of the electrical service diagnostics is to show the software versions present in the player and to direct the dealer towards defective internal units. The units are : the CDR main board, the CDR loader, the CD loader in case of a CDR775 and the keyboard/display board. A sequence of tests is executed automatically. Some of the tests can be aborted or skipped without the result being taken into account. External tools or disassembly of the unit is not necessary to get the diagnostic information. Pressing keys [PLAY/PAUSE] and [F FWD] simultaneously while switching on the unit, starts the test. Switching off the unit ends the test.

Requirements to perform the test

- Working keyboard to start up the test.
- Working local display to check the output messages.
- A CD-DA disc with a minimum of 3 tracks in all trays to perform the disc test.

Description of the tests**Player information**

In this part of the test the following important information can be checked without removing the cover :

- Recorder ID.
- SW-version back end of player.
- SW-version CDR loader.
- SW-version CD loader (only for CDR775).

CDR main board test

[F FWD] key. The message "DERRn" will be displayed with n indicating the faulty test number.

If one of the tests is aborted with the [F FWD] key, no error message will be displayed for this test. The flash data erase test ("DTST3") can not be aborted !

The CDR main board test consists out of :

DRAM test

Display : "DTST1". The DRAM used for buffer management is tested by writing, reading and verifying test patterns.

Flash checksum test

Display : "DTST2". This test checks the checksum of the player's SW stored in the flash.

Flash data erase

Display : "DTST3". During this test, all temporary information (CDtxt) in the flash is erased.

CODEC (ADC/DAC) test

Display : "DTST4". This test checks the CODEC IC by writing, reading and verifying test patterns. The test is not applicable for CDR950.

CDR communication test

Display : "DTST5". The communication between the host processor (DASP) and the CDR loader via the DSA-R-bus is tested.

CD communication test

Display : "DTST6"). The communication between the host processor (DASP) and the CD loader is tested. The test is only applicable for CDR775.

Loader tests

These tests determine if the CDR loader and the CD loader in case of a CDR775 work correctly. A CD-DA disc with a minimum of 3 tracks needs to be inserted in both loaders. A disc test is executed to check focus control, disc motor control, radial control and jump grooves control. The disc test is

performed by audio play-back of 5 seconds at the beginning, middle and end of the disc.

CDR loader test

During the test, the current disc time is shown. In case of an error the message "BERR1" will be displayed and the [F FWD] key must be pressed to continue with the following test. Pressing the [F FWD] key also aborts this test.

CD loader test

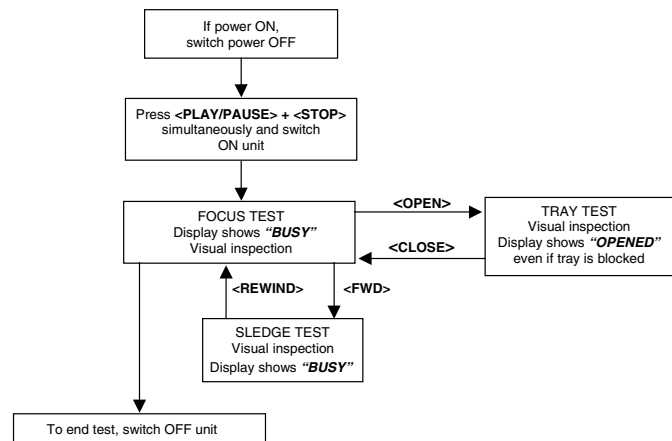
For CDR775 only. During the test, the current disc time is shown. In case of an error the message "BERR2" will be displayed and the [F FWD] key must be pressed to continue with the following test. Pressing the [F FWD] key also aborts this test.

Display test

All segments will blink at a frequency of 1 Hz. Pressing the [F FWD] key will start the next test because the user has to check for himself if all segments work properly.

Keyboard and remote control tests

The test will give the user the ability to test every key without executing the function assigned to it. Therefore, the user needs to press every key on the keyboard and the remote control. The display will show the name of the key being pressed. Pressing more than one key at once will give an unpredictable result except for the service combinations : [PLAY/PAUSE] + [STOP], [PLAY/PAUSE] + [F FWD], [F FWD] + [REWIND], [ERASE] + [RECORD], [PLAY/PAUSE] + [RECORD], [OPEN/CLOSE] + [PROGRAM].

5.1.4 Mechanical service diagnostics**MECHANICAL SERVICE DIAGNOSTICS**
(test for defective components)CL96532086_026.eps
080999**Figure 5-3****Description**

No external tools are required to perform this test. The cover needs to be removed because the user has to check the movements of the tray, focus and sledge visually. Pressing keys [PLAY/PAUSE] and [STOP] simultaneously while switching on the unit, starts the test. Switching off the unit ends the test. In case of a CDR775, one can check the CD loader mechanics in the same way by pressing the above key combination on the CD player keys.

Requirements to perform the test

- Working keyboard to cycle through the tests and to start up the test.
- Working local display to check the output messages.

Description of the tests

Focus control test

The focussing lens is continuously moving up and down. The display reads "BUSY".

Sledge control test

After pressing [F FWD] the sledge continuously moves up and down. Pressing [REWIND] stops the sledge at the position it is in and the focus control test resumes. The display reads "BUSY".

Tray control test

This test starts from within the focus control test routine. Pressing [OPEN/CLOSE] moves the tray in or out. In the tray open position one can initiate focus and sledge tests by pressing [F FWD]. One has to stop these tests pressing [REWIND] before it is possible to close the tray again. Depending on the action the display reads "OPEN", "OPENED", "CLOSE" or "BUSY".

5.1.5 DC-erase service mode

DC ERASE SERVICE MODE
(erasure of complete CD-RW)

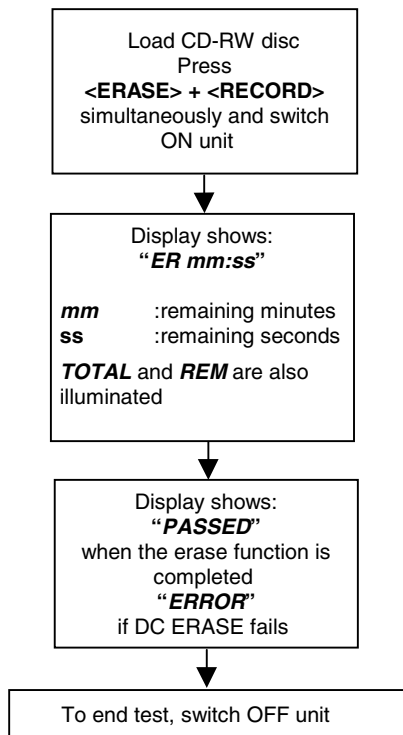


Figure 5-4

Description

This test is initiated by pressing [ERASE] and [RECORD] simultaneously while switching on the unit. The player will erase a complete CD-RW disc (including PMA and ATIP lead out area) at speed N=2. The display shows the countdown of the remaining time required for the operation to complete. The format is "ER mm:ss", where "mm" are the remaining minutes and "ss" the remaining seconds. After completion the message "PASSED" is shown, and the player has to be switched off and on again to start up in normal operating mode. Switching off the

unit before completion of the test, leaves the disc in an unpredictable state. In such case only a complete DC-erase procedure can recover the CD-RW disc.

Requirements to perform the test

- Functional CDR player.
- A CD-RW audio disc must be present in the tray.

5.1.6 Burn in mode

Description:

The Burn In mode is an endless cycle of:

- DC-Erase to erase the CDRW disc with maximum laser power.
- Recording a CDRW disc
- Finalising at double speed

The Burn In mode is used to test intermittent faults of the loader.

Requirements to perform the test:

- Working Local Keyboard: needed to start up the test.
- Working Local Display: all output messages must be displayed on the local display.
- Analog source connected to the CDR99 player
- CDRW disc in tray

Burn in sequence

- Initialisation
- The 'Burn In' mode is initiated by pressing the PAUSE> and key on the local keyboard at the same time, and then switching the POWER switch on.
- Continuous loop
- The following picture shows the burn in sequence.

Burn in sequence

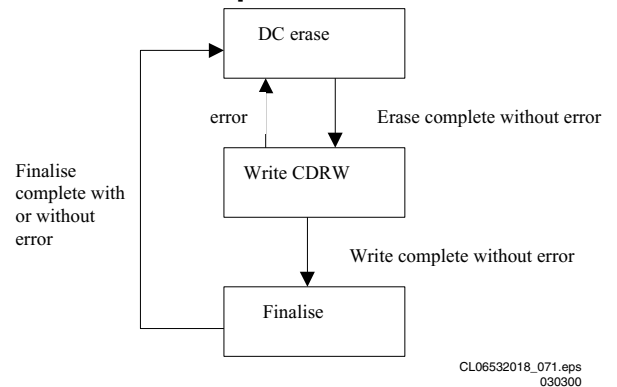


Figure 5-5

Continuously do DC erase, record complete CDRW and then finalise until the player is powered off.

When an error is detected during writing, the DC erase procedure is called again., the disc will be DC erased and the cycle starts again.

During the test the display shows the number of hours for which the test is running and the number of errors detected during the test. The display looks as follows : "HH BI RE FE"

- HH : number of hours on digits 1 and 2
- "BI" : burn in mode, digits 3 and 4
- RE : number of errors detected during DC erase and write CDRW modes on digits 7 and 8

FE : number of errors detected during finalise modes on digits 10 and 11

If started up with a disc other than a CDRW disc the display shows : "WRONG DISC", if no disc is inserted display : "NO DISC".

– End of test
To exit the Burn In mode, power off the player.

5.2 Faultfinding Trees

The faultfinding trees and repair suggestions like the power supply voltages for proper functioning of the mainboard are indicated here.

5.2.1 CDR-Module

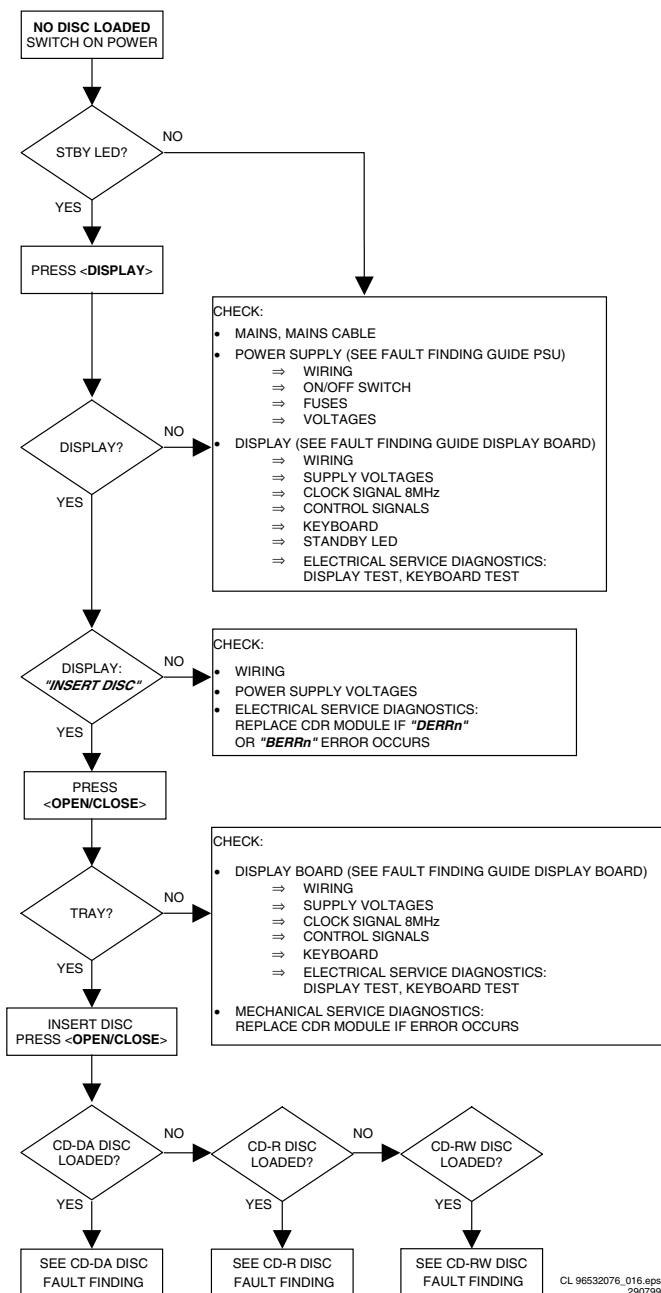


Figure 5-6

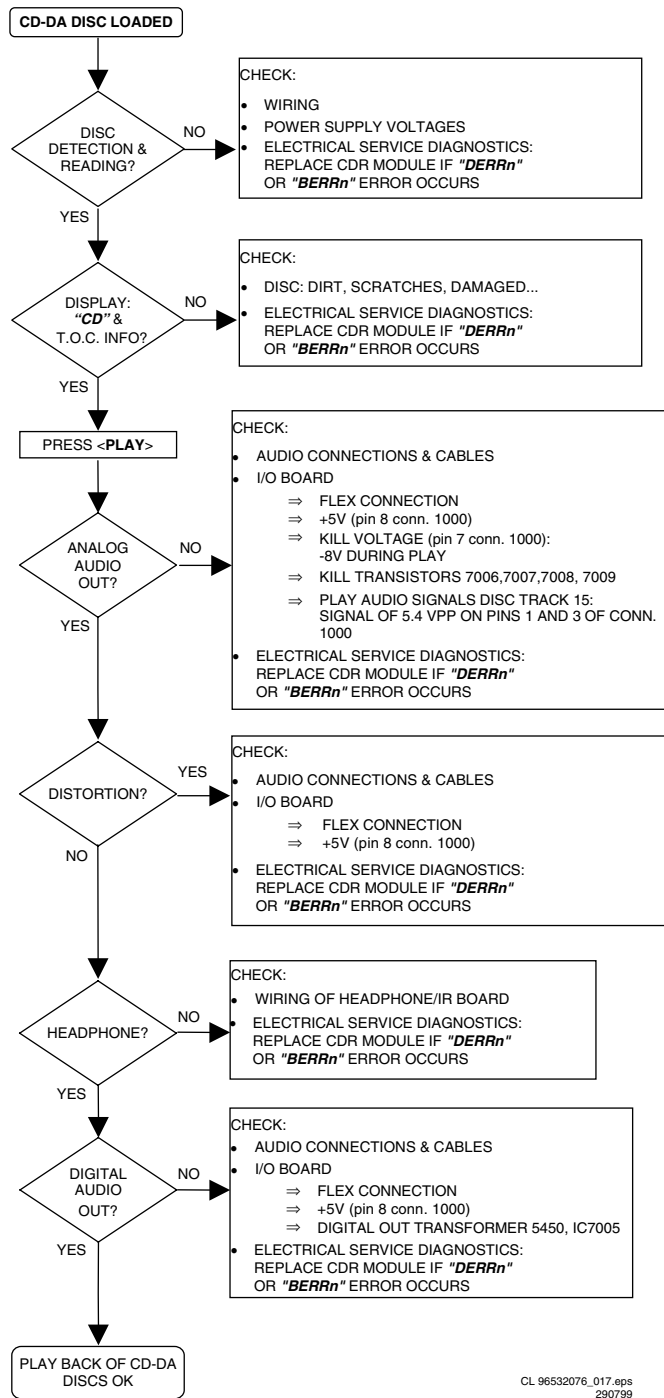


Figure 5-7

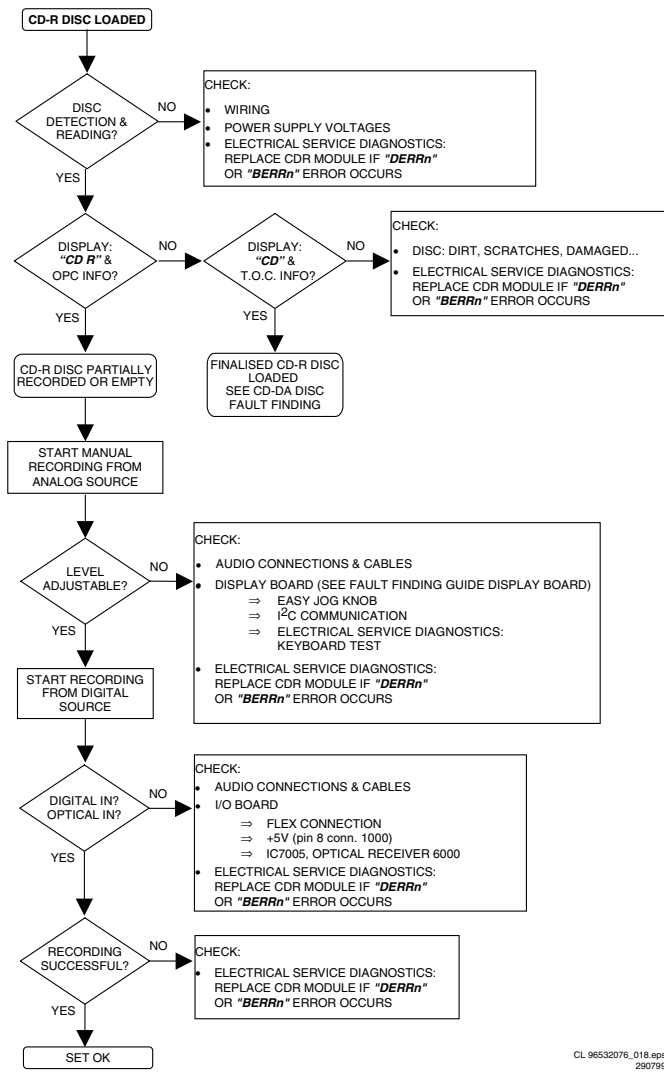


Figure 5-8

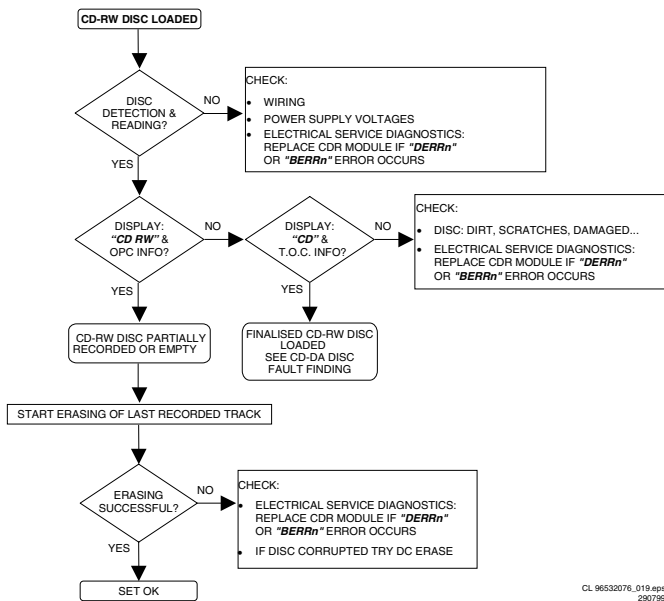


Figure 5-9

5.2.2 Mainboard

Power supply part on mainboard

• Description.
The most important part of an electrical function is the power supply. Without it will never operate. The power supplies as well analog as digital equipment. For these reasons the power supply is split-up in different sections. One for the digital electronics, one for the servo controls and one for the AUDIO part. The servo controls are the big consuming parts with high peak-currents, also introducing disturbances in the power lines. The audio part needs very "clean" power, because noise and ripples have there reflection in the audio signals, specially in S/ N and THD+N. Some of the power supplies are switched off, this to reduce consumption in case of standby.
The different power supplies are delivered to the PCB via connector 1500 This is a 11 pole connector with following voltages on it: +5V, +12V, -8V, VFTD, VDC1 and VDC2. The last 3 voltages are not used on the main PCB, but are meant for the FTD (Fluorescent Tube Display). They are directly routed to connector 1705.
The other voltages are split up in different functions on the PCB. The following block-diagram gives an indication of that implementation.

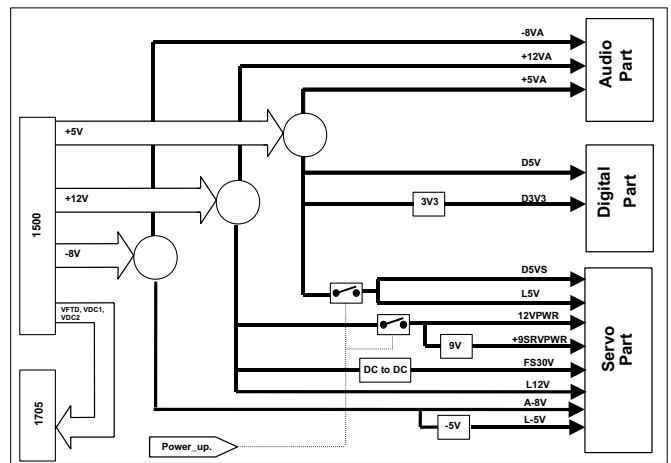


Figure 5-10

- Power supply to main board.
Power supply enters the BOARD via connector 1500. Pinning as follows:
Connector 1500
pin 1: VDC2 : 3V8 (10%)
pin 2: VFTD : -38V (5%)
pin 3: VDC1 : 3V8 (10%)
pin 4: GND : Ground.
pin 5: D5V : +5V (5%)
pin 6: D5V : +5V (5%)
pin 7: GND : Ground.
pin 8: GND : Ground.
pin 9: GND : Ground.
pin 10: 12V : 12V (10%)
pin 11: -8V : -8V (10%)

POWER PART CHECK

USE CDR MAIN BOARD CIRCUIT DIAGRAM 7 AND CDR MAIN BOARD BOTTOM VIEW : POWER PART TEST POINTS

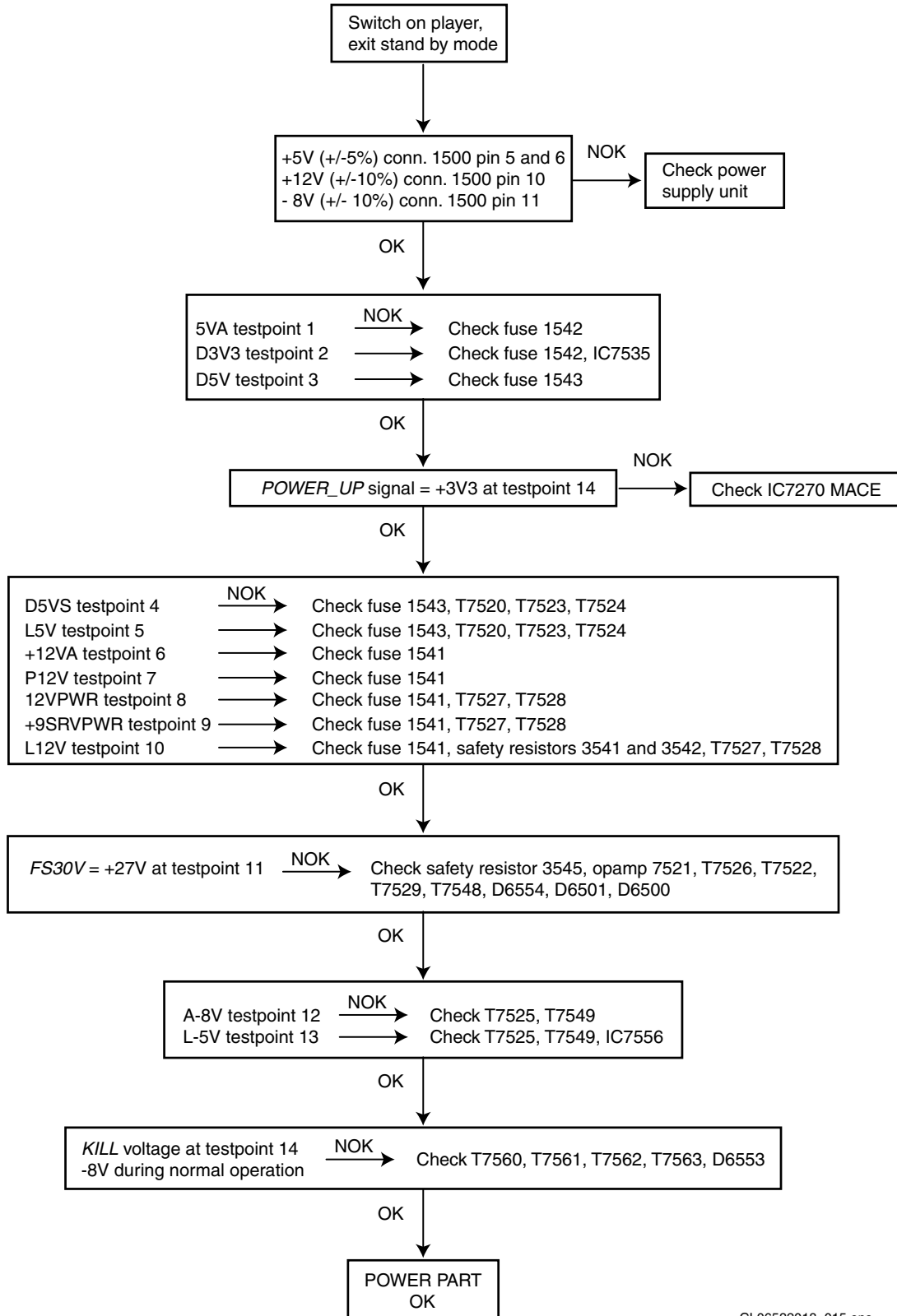


Figure 5-11

Reset & Clock

Master reset.

Since the Mainboard is more or less mix-mode between +3V3 and +5V devices, special treatment for the RESET behavior is wishful. Controlling the RESET only from 1 power supply could lead to collisions between different devices, damaging the internal I/O structure of the devices. To avoid this the +3V3 and the +5V are guarded by a special device. These devices keep the output low as long as the power supply is not stable or is not above the required level. As soon as the power supply is stable it switches the output to "HIGH-Z". The output is an open collector type. From then onwards the line can be controlled by means of external pull-up resistors. Benefit of the open-collector devices is that several of those devices can be tight together at the outputs. In our case we used a device on the +5V and one on the +3V3. This means that both power supplies need to be stable before the RESET of the Master processor is released.

Resetting several processors in the same structure by means of the power supplies invokes certain risks. The duration of initialization after reset is processor and Code depending. It can lead to hang-up in those cases that communication between the processors is "time" driven. Meaning that only in a certain time frame the establishment of the communication-bus must take place. If not successful the Bus hangs!

To avoid these kinds of problems, only 1 RESET is depending on the power supply, and this is the RESET of the Master controller. The same master controller will then take care of the RESET of the other devices. In the next figure this is explained.

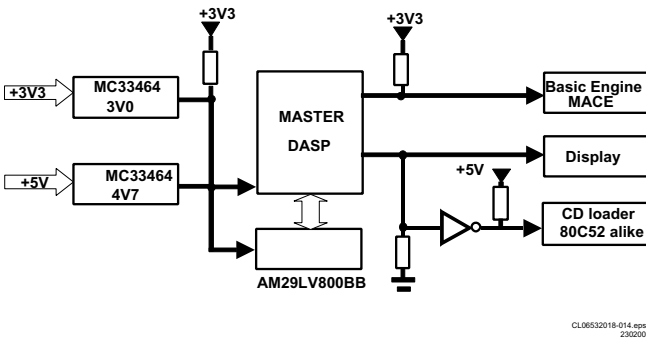


Figure 5-12

For further measurements see next reset and clock flowcharts.

RESET & CLOCK CHECK

USE CDR MAIN BOARD CIRCUIT DIAGRAMS 4, 9 AND 10 AND CDR MAIN BOARD BOTTOM VIEW : RESET & CLOCK TESTPOINTS

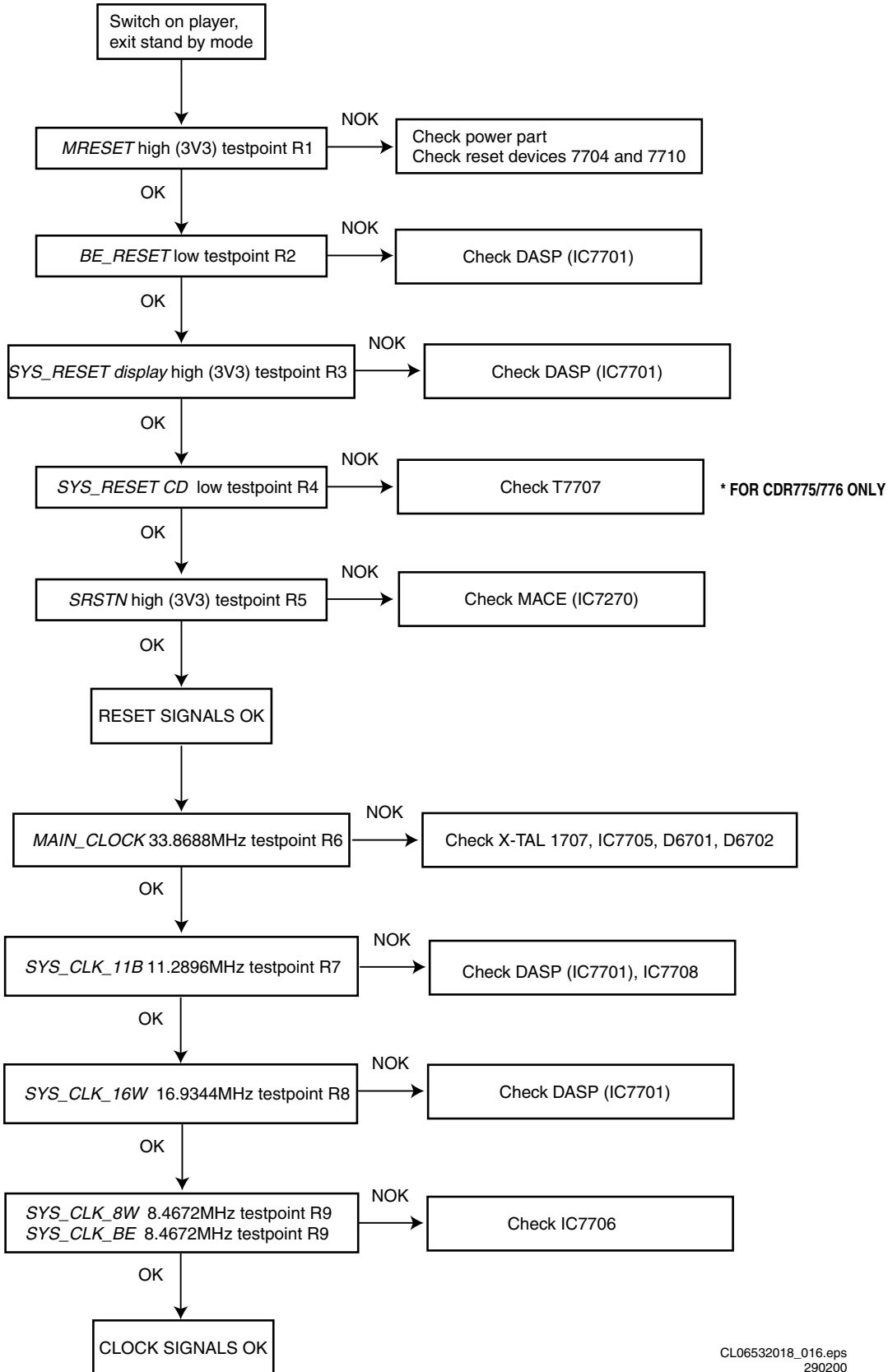


Figure 5-13

The clockgeneration

All microprocessors or digital devices need a clock. The clock is usually made by means of resonators or crystals depending on the speed and the accuracy that is requested. The clock can also differ from device to device so that more than one crystal is needed. The cheapest and "system wise" best way is only 1 crystal. The derived clocks are then Phase related to each other.

On the CDR MAIN 99 the DASP is generating all clock signals. Not only the systemclock for the processor itself, but also for the basic engine processor and even the systemclock for the ADDA part which is directly related to the 44.1kHz. sample frequency. To be able to do this a 33.8688Mhz. crystal with 25ppm accuracy is connected to the internal oscillator of the DASP. Internal the clock signal is multiplied by means of a PLL. This gives the systemclock on which the processor runs internally. This systemclock is then again divided internally to have the systemclock for the ADDA, which is 11.2896Mhz, and the 16.9344Mhz. which divided by 2 gives the systemclock for the BE part. In this way only 1 crystal is required. The same 8.4672Mhz. is also routed to the CD-module in case of a CDR775 player.

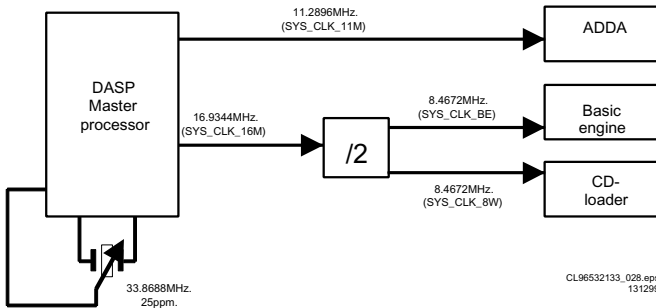


Figure 5-14

PC help on mainboard diagnostics

A couple of the diagnostics are only possible with the help of a PC. The DASP micro controller will contain an interface with the external world; this interface is realised via a serial RS232 connector that is accesible inside the player. It can be accessed from the outside world by means of test pins and connector 1818 and interface board 7104 086 91111.

Via those test pins a terminal emulator can be connected. Then menus will come up that give the opportunity to enter all Audio Engine commands. This includes the commands on Bit Engine Level (transparent). This terminal emulator functionality is part of the embedded software, so no external software is needed. It can also read out the User Profile Logging of Bit Engine. This can show the hours that the loader really was in recording mode.

This diagnostic tool is activated if communication is detected on the RS232 interface during power up. The baud rate for both is 19k2 baud.

Details of the diagnostic tool are given in chapter 5.2.3 of this publication: Menu Driven Diagnostics.

Also in preparation is the interactive COMPAIR tool. Then the PC communicates in an active form with the set and compares the result for making the next decision. With MDD the technician has to take the next active step from his experiences onwards.

5.2.3 Menu Driven Diagnostics

In this paragraph the specification of the software requirements for the Menu Driven Fault Finding Diagnostics is given. It will give a clear and unambiguous description of what the Menu Driven Diagnostics (MDD) do.

NOTICE: THE TESTS, AS PROVIDED BY THE MENU DRIVEN DIAGNOSTICS, ARE NOT SUPPOSED TO BE MIXED RANDOMLY, ESPECIALLY TESTS LIKE 'LASER ON' AND 'FOCUS ON'. IT IS ASSUMED THAT THE PERSON THAT USES THE MDD KNOWS IN WHICH ORDER THESE TESTS CAN BE EXECUTED.

The MDD module communicates with two entities: the terminal emulator on the PC. The MDD receives instructions (test to be executed) and transmits the menu to be shown and the test results; the Audio Engine module. It instructs the Audio Engine via the interface field which test should be executed. The test result is retrieved from the interface field.

Requirements

The functionality of the Menu Driven Diagnostics module is to implement Menu Driven Diagnostics for service purposes.

When the CDR recorder is connected to a PC via an interface board 7104 086 91111, connection cable 3104 157 11122 and a RS232 cable (available at PC shop), the service technician can select via a menu on the PC screen which test should be performed. The result of the test is also shown on the PC screen. No special test tool is needed for the PC; any terminal emulation program can be used (for example, HyperTerminal under Windows95/NT).

The last occurred error during a test session can be retrieved via the menu.

The RS232 connector should be soldered to pins:

1818-1 = Rx

1818-4 = Gnd

1818-2 = Tx

General Constraints

It is advised to connect the connection cable 3104 157 11122 to the Mainboard connector 1818 mounted just under the loader (topview). Via this cable also the powersupply for the interface board 7104 086 91111 is arranged when it is connected to connector 1000 on interfaceboard. To start this application at powering on; for 5 seconds the Rx and Tx output pin of the mainboard connector should be short circuited. This temporarily short circuit indicates the internal CDR software program to switch onto Menu Driven Diagnostics. This short cut can easily be done via the switch (1009) on the interface board. To communicate with the PC the RS232 cable has to be connected to output connector 1010 on the interface board and the switch (1009) should be released.

When switching on the CDR, two possibilities exist: the RS232 cable is not connected. The application is executed (no MDD mode); the RS232 connector is connected; Rx and Tx are short circuited for more than 5 seconds then the Menu Driven Diagnostics is started. By connecting via connection cable to interface and from there via the RS232 cable onto the PC, so the MDD can transmit the main menu to the PC.

User Interfaces

RS232 interface

The CDR recorder transmits the menu to be shown and the test results to the PC via connection cable 3104 157 11122, interface board 7104 086 91111 and a RS232 cable. It receives the selection of the user, chosen in the menu.

Hardware Interfaces

RS232 interface

The communication via RS232 should be set to the following settings:

Baudrate:19200

Databits:8

Stopbits1

Parity:none

Handshaking:none

Data Communication Interfaces

Communication between the CDR recorder and the PC is straightforward: everything the CDR recorder transmits to the PC is shown on the PC screen. Data, transmitted from the PC to the CDR775, is treated as a choice from the currently shown menu.

All functionality of the MDD has to be part of the CDR775 software; the PC can only use a terminal emulation program.

Menu Structure and Test Results

This chapter describes the structure of the menus and the results of the tests, as shown on the PC screen.

Menu Structure

When starting up, the PC screen is cleared and the software version and the main menu (level 1) are shown. From the main menu, one of the sub menus (level 2) can be selected. These sub menus contain other sub menus and/or a number of tests that can be executed. The menus are shown below. '>>' indicates that when this option is selected, a new menu will be shown.

Level 1 Mainmenu:

MAIN MENU
 1 General tests >>
 2 Retrieve last occurred error
 3 Recorder module test >>
 4 Playback module test >>* *Only used for the CDR775
 5 Select adjust program CDM
 6 Download new program

When a test is running, a 'test running indicator' (a dot) is showed on the screen every second, When a test has been executed, the screen is cleared and the result of the test (if any) and the menu, separated by one empty line, are showed.

Three types of tests exist:

Tests that return PASSED or FAILED, like the DRAM test.

When a test has been executed, the result is showed on the PC screen;

Tests that return a value, the message 'PASSED, xxx' (with xxx is the returned value) is showed on the PC screen;

Tests that don't return anything, like the 'laser on' test. Most of these tests require a visual check of the service person. When one of these tests is executed, 'PASSED, visual check' is showed on the PC.

Level 2 menus

When a submenu is selected in the main menu, the level 2 menus are showed . These sub menus contain other sub menus and/or a number of tests that can be executed.

GENERAL TESTS MENU

1 Check DRAM
 2 CHECK FLASH>>
 3 Check ADC/DAC
 4 Check LCD

RECORDER MODULE TEST MENU

1 communication test
 2 Tray >>
 3 Laser >>
 4 Focus >>
 5 Radial >>
 6 Sledge >>
 7 Miscellaneous >>
 8 Jump grooves >>

PLAYBACK MODULE TEST MENU

1 communication test
 2 Tray >>
 3 Laser >>
 4 Focus >>

5 Turntable motor >>
 6 Radial >>
 7 Sledge >>
 8 Miscellaneous >>

Level 3 menus

CHECK FLASH MENU
 1 Check FLASH
 2 Manufacturer-ID and
 3 Device ID

TRAY MENU

1 Open tray
 2 Close tray

LASER MENU

1 Laser off
 2 Laser on, read
 3 Laser on, write*-----*Laser on, write' only used for the recorder module

FOCUS MENU

1 Focus on
 2 Focus off

TURNTABLE MOTOR

1 Turntable motor ON
 2 Turntable motor OFF

RADIAL MENU

1 Radial control on
 2 Radial control off

SLEDGE MENU

1 Sledge inwards
 2 Sledge outwards*-----*Sledge stays outwards for the recorder module; sledge moves inwards after 300 ms for playback module

JUMP GROOVES MENU

1 Jump grooves to inside
 2 Jump grooves to middle
 3 Jump grooves to outside

MISCELLANEOUS MENU

1 Start player
 2 Stop player
 3 Calibrate CD >>*-----*Only used for recorder module
 4 Get user profile logging
 5 Erase CD-RW*-----*Only used for recorder module
 6 Read firmware version**-----**CD firmware version for CD-module, CDR firmware version for CDR-module

CALIBRATE CD MENU *-----*Only used for recorder module

1 Calibrate CD, N=1
 2 Calibrate CD, N=2
 3 Get last OPC values

End of test

These diagnostics can be quitted by powering off the player

5.2.4 Servo drivers check

SERVO DRIVERS CHECK

USE CDR MAIN BOARD CIRCUIT DIAGRAMS 1, 3 AND 4 AND CDR MAIN BOARD BOTTOM VIEW : SERVO DRIVERS TESTPOINTS

FOCUS SERVO

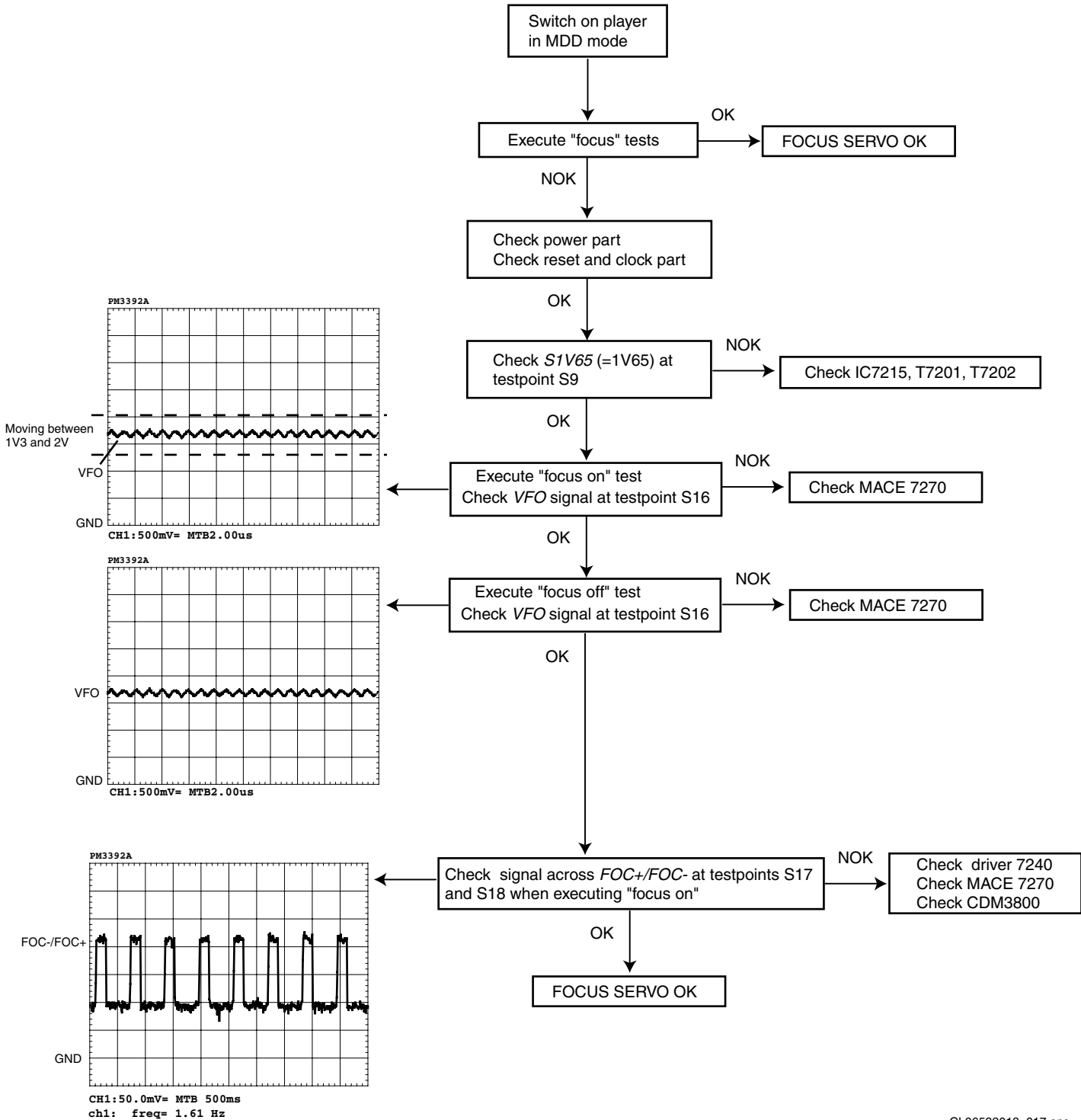


Figure 5-15

SERVO DRIVERS CHECK

USE CDR MAIN BOARD CIRCUIT DIAGRAMS 1, 3 AND 4 AND CDR MAIN BOARD BOTTOM VIEW : SERVO DRIVERS TESTPOINTS

RADIAL SERVO

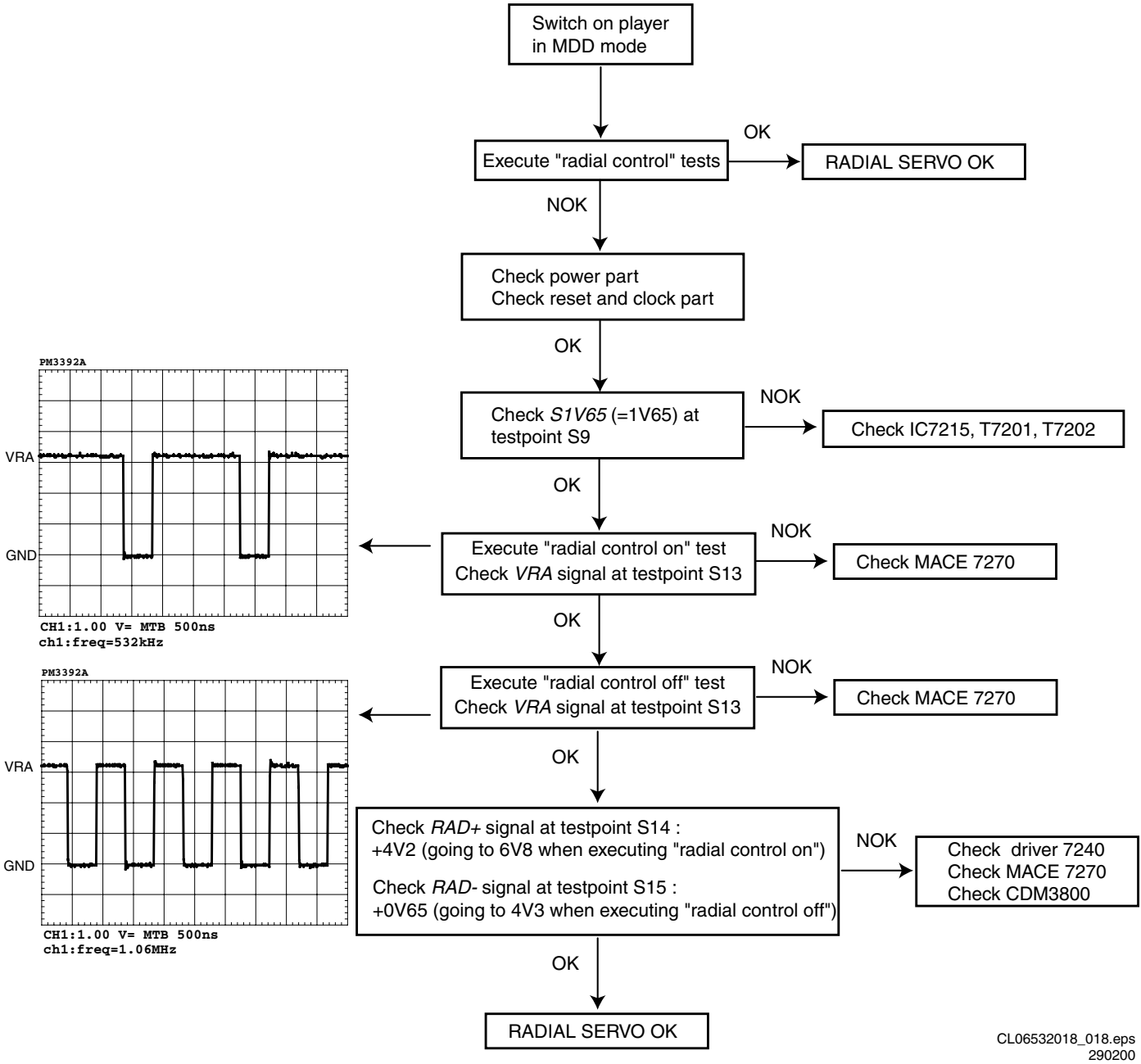


Figure 5-16

SERVO DRIVERS CHECK

USE CDR MAIN BOARD CIRCUIT DIAGRAMS 3 AND 4 AND CDR MAIN BOARD BOTTOM VIEW : SERVO DRIVERS TESTPOINTS

SLEDGE SERVO

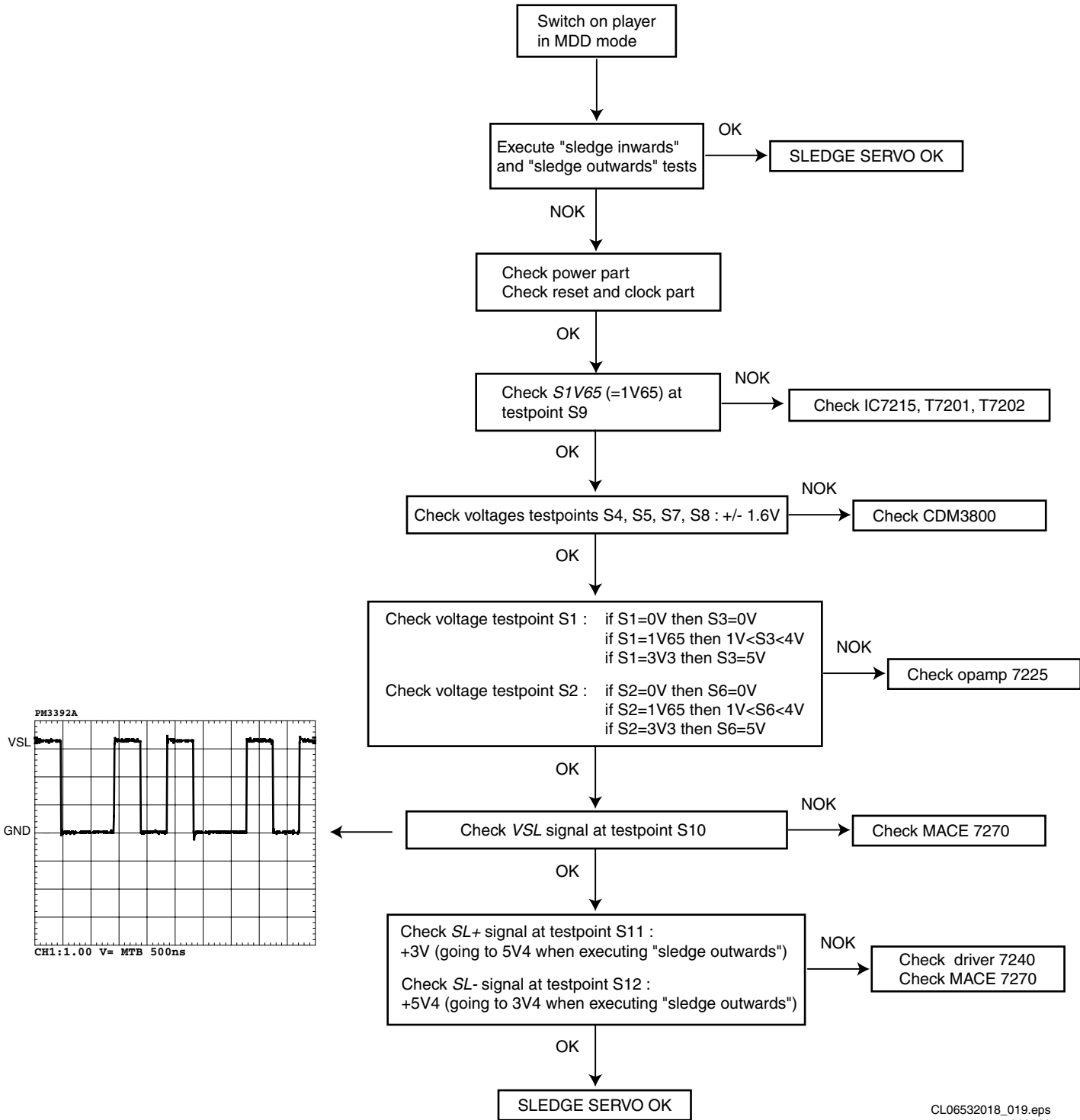


Figure 5-17

SERVO DRIVERS CHECK

USE CDR MAIN BOARD CIRCUIT DIAGRAMS 3 AND 4 AND CDR MAIN BOARD BOTTOM VIEW : SERVO DRIVERS TESTPOINTS

TRAY SERVO

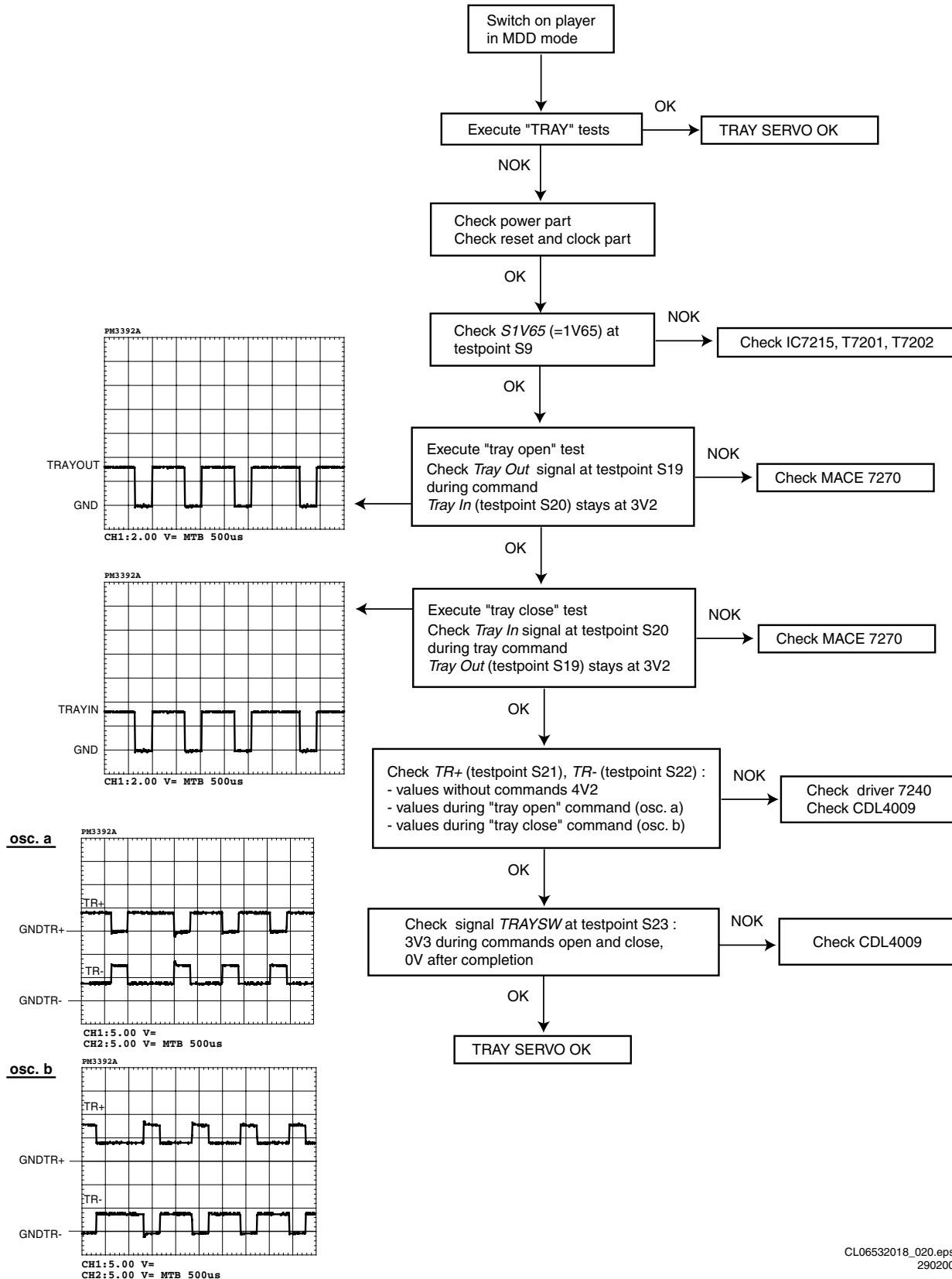


Figure 5-18

5.2.5 Audio signal check

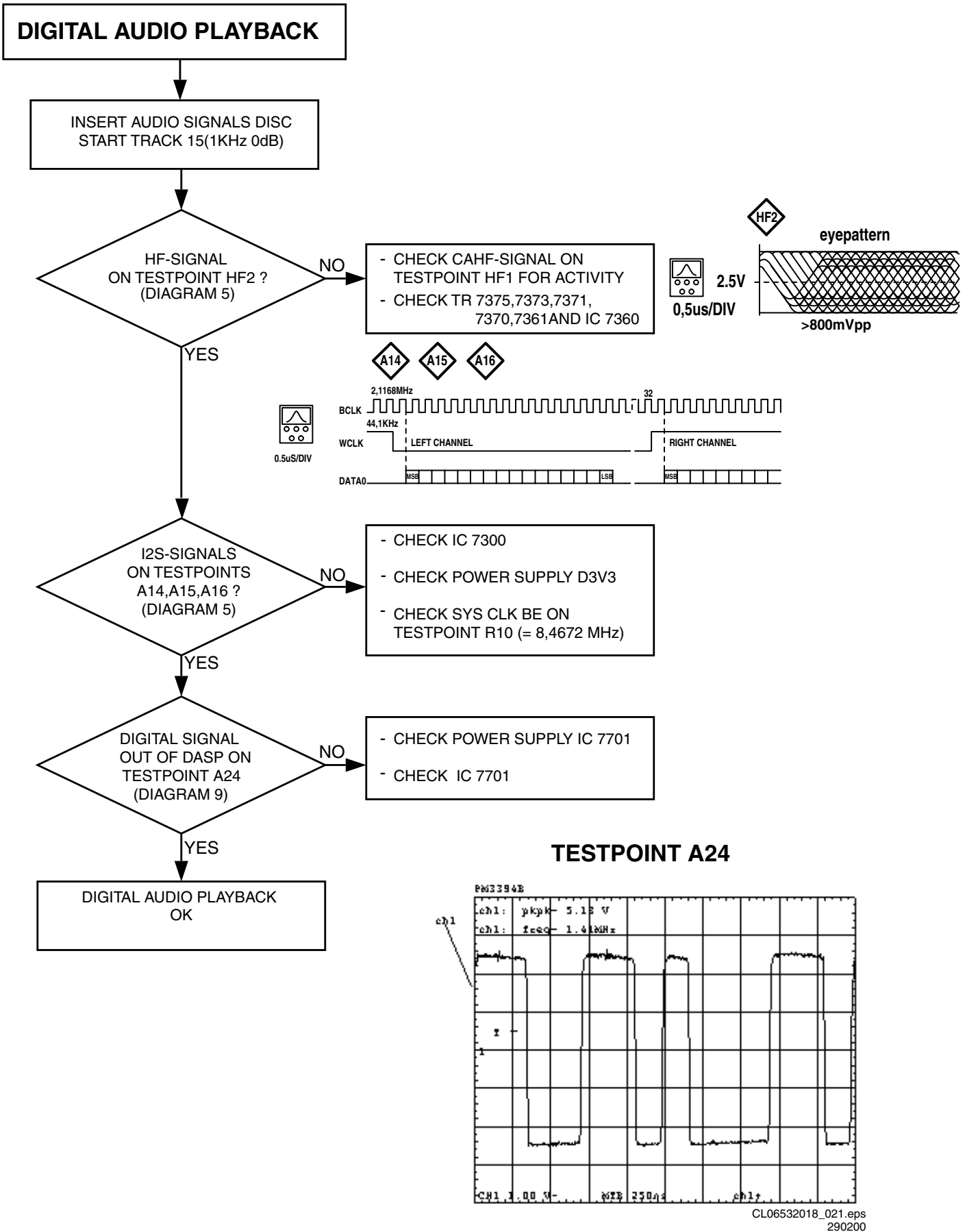


Figure 5-19

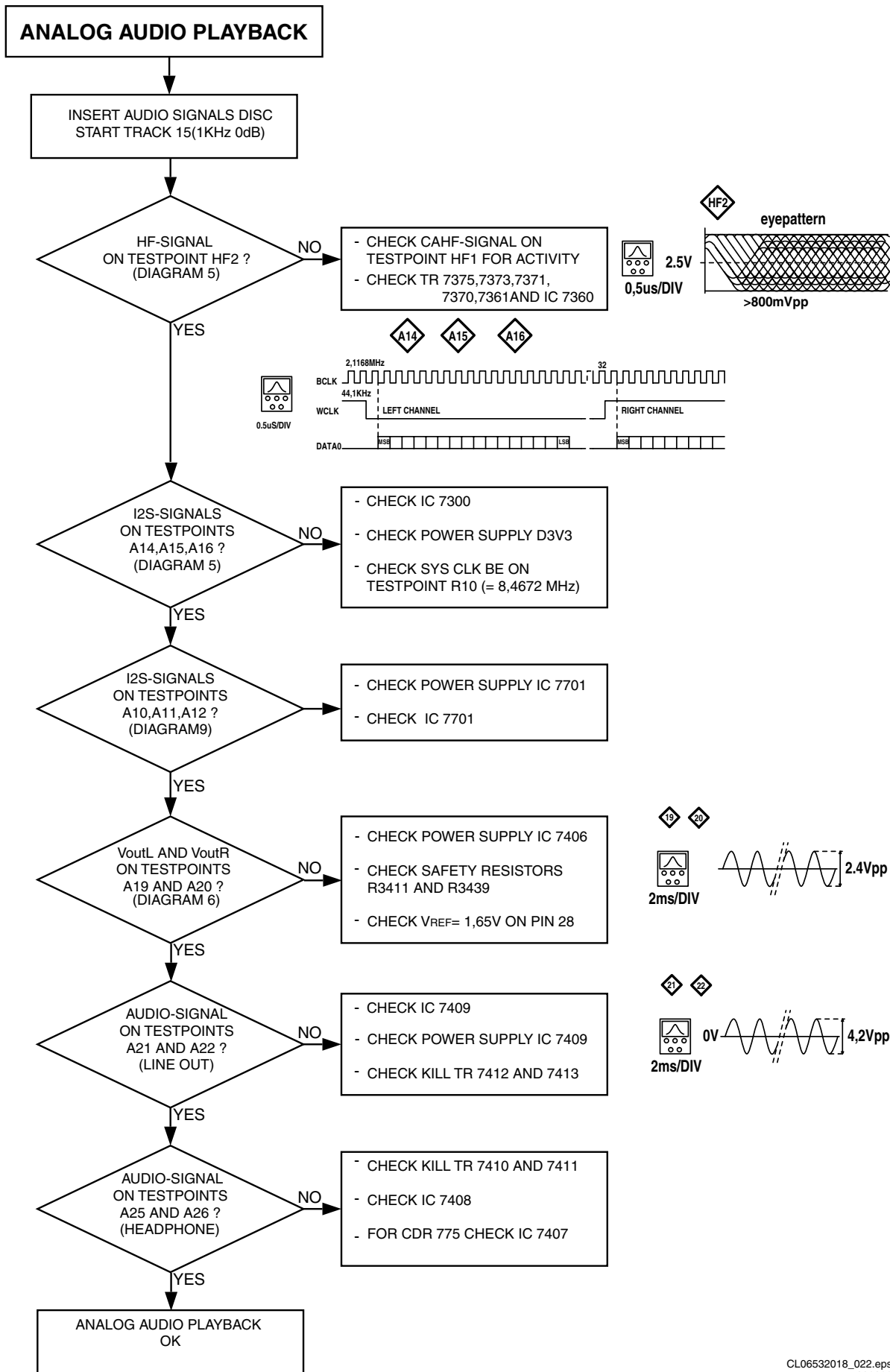


Figure 5-20

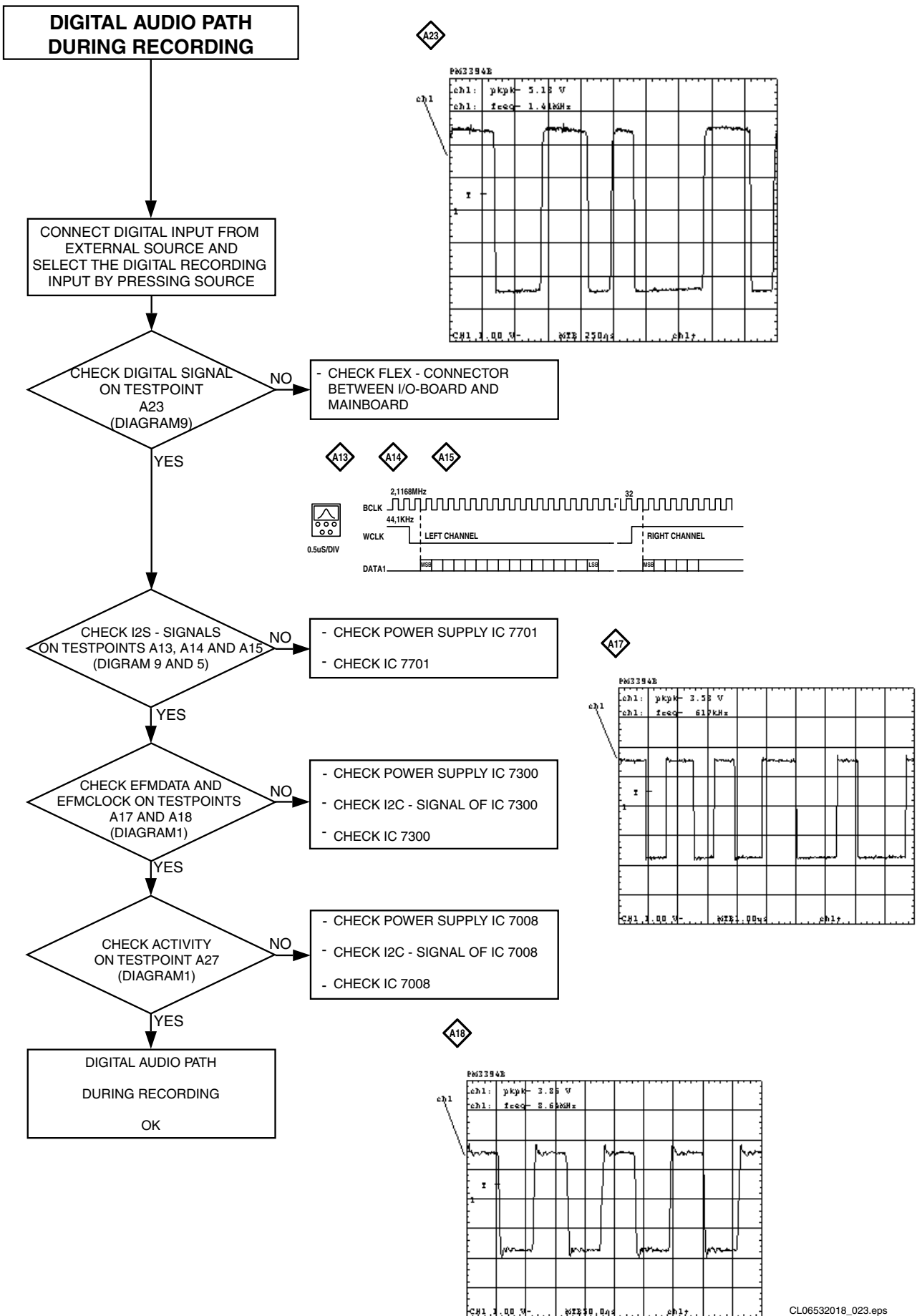


Figure 5-21

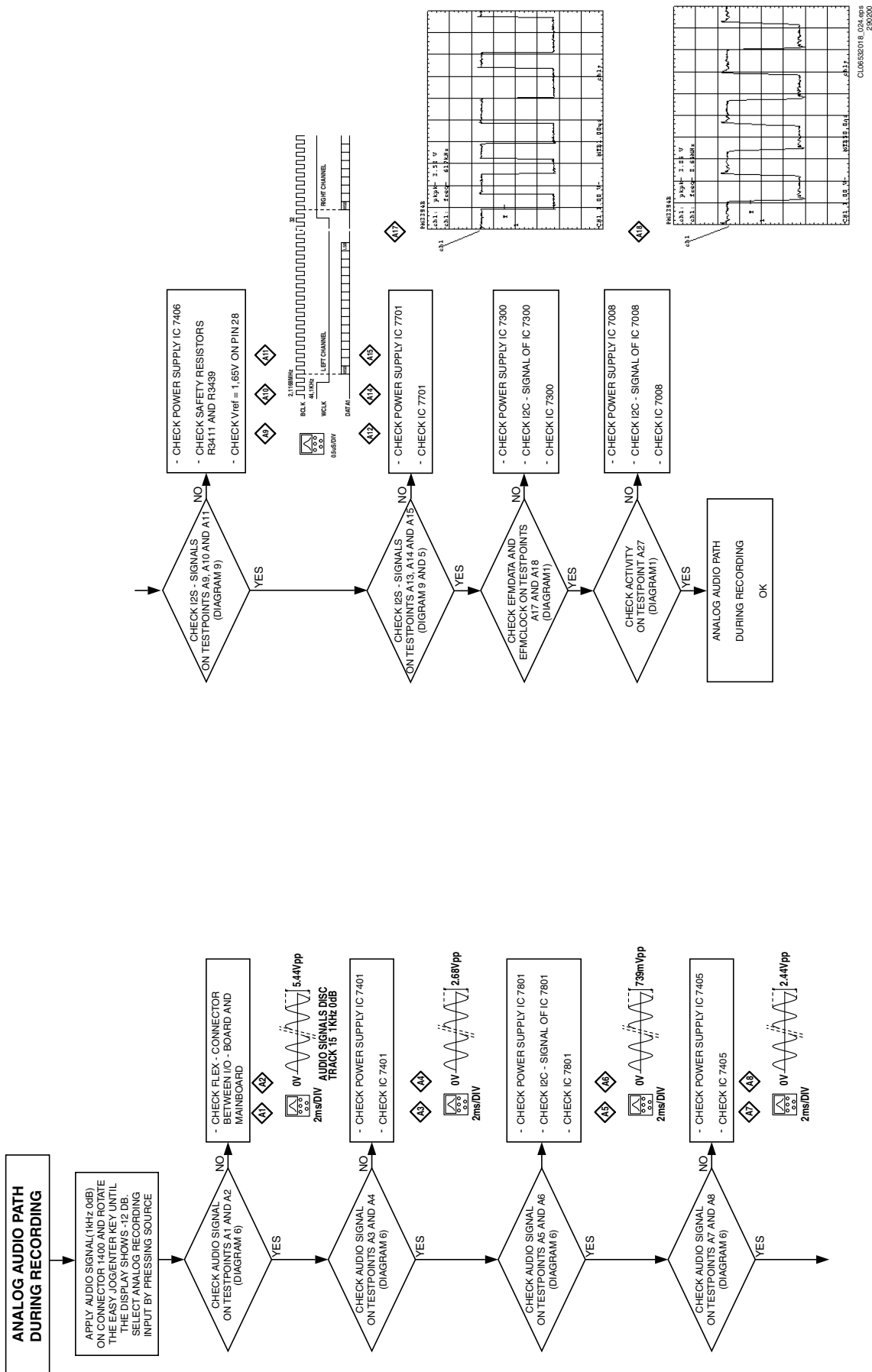


Figure 5-22

8. Alignments & Adjustments

Each CDR-module composed from CDRloader and CDRmainboard has to be matched via SW filled parameters. This adjustment processed in the factory is under investigation to have it implemented into the COMPAIR tool. As long as this adjustment is not possible to be executed in secondline service workshop, the swop of modules and a central repair has to be continued. Adjustment only has to be done at replacement of CDM and concerned servo circuits. Other repairs (audio signals, replacement of adapted Flash roms etc) can be done without infringing the adjusted components.

As soon as COMPAIR CDR is installed this chapter will be adapted via a service information.

Flash Rom IC 7208 (MACE-ROM) is mounted on a socket and can be replaced after lifting up the loader part above it. Flash Rom IC 7703 (DASP-ROM) has to be soldered.

Take care for both ICs Firmware loaded components are mounted.

In case a module is offered with SW versions 1.4 and 91.48, the complete CDR-module should be replaced.

For SW versions 1.23 and 91.63, IC7703 and IC7208 have to be replaced by the latest SW verions.

9. Circuit description

9.1 Description

A separate circuit description concerning the 3rd generation CDR recorders is available with order number 3104 125 40100

9.2 List of Abbreviations

SIGNAL NAME	SIGNAL FLOW	FUNCTION AND DESCRIPTION
+12V	main supply voltage from PSU	+12V supply voltage from PSU
+12VA	supply voltage	+12V supply voltage for Audio part
+5V	main supply voltage from PSU	+5V supply voltage from PSU
+5VA	supply voltage	+5V supply voltage for Audio part
+9SRVPWR	IC7558 → IC7240	PoWeR supply for SeRVo driver IC
12VPWR	supply voltage	+12V supply voltage for servo part
-8V	main supply voltage from PSU	-8V supply voltage from PSU
-8VA	supply voltage	-8V supply voltage for Audio part
A(1:20)	IC7701 → R3818,R3819, R3820, R3821, R3897 → IC7703	Address lines 1 to 20 between DASP and flash ROM
A(10:20)	IC7701 → R3819, R3820, R3821 → IC7702	Address lines 10 to 20 between DASP and DRAM
A1	IC7010 → IC7270	amplitude of the "land" reflection relative to the average EFM, voltage output, OPC input
A1LF, A2LF	CONN1000 → IC7010	satellite photo diodes A1, A2 current output
A2	IC7010 → IC7270	amplitude of the "pit" reflection relative to the average EFM, voltage output, OPC input
A-8V	supply voltage	-8V supply voltage for servo part
AEGER		Analog Error signal GEnerator for Recordable
AINTON	IC7008 → IC7010	Alpha INTegrator ON (to AEGER)
ALE	* IC7270 → R3213 → IC7209, IC7300 * IC7270 → R3230	Address Latch Enable; external address latch strobe line, freeze address when low
ALPHA0	IC7270 → IC7010	analog voltage mode output from OPC D/A converter
ALS	IC7008 → IC7010	Alpha Loop Switch (to AEGER)
ASTROBE	IC7008 → IC7010	Alpha STROBE (to AEGER)
ATIP		Absolute Time In Pre-groove (sync signal)
ATIPSYNC	IC7300 → IC7270	ATIP SYNC signal
ATT	* IC7270 → R3717, R3722 * IC7270 → IC7701	ATTenuation request from MACE2 to audio DAC, active low; means that the output can be attenuated in case of search activities
B1LF, B2LF	CONN1000 → IC7010	satellite photo diodes B1, B2 current output
BCLK	IC7701 → R3898A → IC7300	I ² S1 BitCLock from DASP to CDR60 (playback and record)
BE_RESET	* IC7701 → R3261 → IC7270 * IC7701 → R3716	Basic Engine RESET, active high
BIASC	IC7008 → R3056	BIAS Current switch CDRW output
BKPT	CONN1819, R3907 → IC7701	JTAG mode select / debug mode BreakPoint
C1LF, .. , C4LF	CONN1000 → IC7010	Central photo diodes C1, C2, C3, C4 current output
CAGAIN	R3016,R3115 → IC7010	set-point laser power on disc, current input
CAHF	CONN1000 → C2374	Central Aperture (central photo diodes) High Frequency current output (C1+C2+C3+C4)
CALF	IC7010 → IC7270	Central Aperture (central photo diodes) Low-pass Filtered signal (DC coupled EFM signal), voltage output, OPC input
CAS0	IC7701 → IC7702	Column Address Strobe DRAM for upper byte

SIGNAL NAME	SIGNAL FLOW	FUNCTION AND DESCRIPTION
CAS1	IC7701 → IC7702	Column Address Strobe DRAM for lower byte
CDR	IC7008 → IC7355	CDR strategy detected output (active high)
CDR60CFLG	IC7300 → R3382B → CONN1812	serial output of error corrector status information of the CDR60-decoder, to be measured at test connector
CDR60CL1	IC7300 → R3382C → CONN1812	output of CLock signal for testing system clock of IC CDR60 at test connector
CDR60CS	IC7270 → R3235B → R3702, IC7300	CDR60 Chip Select, active high
CDR60INT	IC7300 → IC7270	CDR60 INTerrupt line, active low
CDR60LWRT	IC7300 → R3048	CDR60 Laser WRiTe control output
CDR60MEAS1	IC7300 → R3382A → CONN1812	serial output of information about jitter, PLL frequency and asymmetry of bit recovery block in CDR60, to be measured at test connector
CDR60PLL	IC7270 → R3305 → IC7300	CDR60 clock multiplier enable, active high
CDRW	* IC7355D → IC7355C * IC7355D → CONN1000	inverted CDR-strategy-detected signal
CLK_OUT	IC7701 → R3771 → CONN1819	system CLock OUT
CLK_SYS	IC7701 → R3727, R3731	oscillator output
COS-	CONN1220 → IC7225B	Hall feedback signal from sledge motor
COS+	CONN1220 → IC7225B	Hall feedback signal from sledge motor
CSFLASH	IC7701 → IC7703	Chip Select for FLASH or boot device
CSRAM	IC7270 → R3235A → R3703, IC7802	Chip Select SRAM, active low
D(16:31)	IC7701 ↔ R3822, R3823, R3824, R3825 ↔ IC7703, IC7702	Databus bit 16 to 31 between DASP, flash ROM and DRAM
D3V3	supply voltage	+3,3V supply voltage for Digital part
D5V	supply voltage	+5V supply voltage for Digital part
D5VS	supply voltage	+5V supply voltage for Servo part
DALPHA	IC7010 → R3037	ALPHA error signal for laser power control
DASP		Digital Audio Signal Processor
DATAI	IC7701 → R3898C → IC7300	I ² S1 DATA In from DASP to CDR60 (recording)
DATAO	IC7300 → R3314 → IC7701	I ² S1 DATA Out from CDR60 to DASP (playback)
DEEMP	* IC7270 → R3719, R3724 * IC7270 → IC7701	DE-EMphasis control for audio DAC from MACE2, active high; means that de-emphasis is needed in digital filter
DELTAP	IC7016 → R3126	DELTA Power current source drive signal from XDAC
DIG_OUT_C	IC7701 → R3706 → C2707, CONN1400	Common DIGital OUTput (consumer)
DISPLAY_INT	F934 → R3812, IC7701	DISPLAY INTerrupt
DMON	IC7270 → R3324	power save at stop, active low
DOBM_CD	CONN1708, C2731 → R3757 → R3903 → IC7701	Digital Output (EBU output) from CD player in CDR775 to DASP
DOBM_CDR	IC7300 → R3382D → C2379, IC7701	Digital Output (EBU output) from CDR60 to DASP
DRAM_RW	IC7701 → IC7702	Read/Write strobe for DRAM
DSA_ACK_CD	* IC7701 ↔ R3830 ↔ R3831	Data/Strobe/Acknowledge serial communication

SIGNAL NAME	SIGNAL FLOW	FUNCTION AND DESCRIPTION
	↔ CONN1708 * IC7701 ↔ R3830 ↔ C2735	between DASP and CD-player in CDR775
DSA_ACK_CDR	* IC7701 → R3729 → IC7270, CONN1830 * IC7701 → R3729 → R3769	Data/Strobe/Acknowledge serial communication between MACE2 and DASP for CDR; acknowledge input for MACE2 is strobe output for DASP
DSA_DATA_CD	* IC7701 ↔ R3828 ↔ R3829 ↔ CONN1708 * IC7701 ↔ R3828 ↔ C2733	Data/Strobe/Acknowledge serial communication between DASP and CD-player in CDR775
DSA_DATA_CDR	* IC7270↔R3246 ↔ R3813 ↔ IC7701, CONN1830 * IC7270↔R3246 ↔ R3767	Data/Strobe/Acknowledge serial communication between MACE2 and DASP for CDR
DSA_STR_CD	* IC7701 ↔ R3835 ↔ R3832 ↔ CONN1708 * IC7701 ↔ R3835 ↔ C2734	Data/Strobe/Acknowledge serial communication between DASP and CD-player in CDR775
DSA_STR_CDR	* IC7270 → R3245 → IC7701, CONN1830 * IC7270 → R3245 → R3768	Data/Strobe/Acknowledge serial communication between MACE2 and DASP for CDR (strobe output for MACE2 is acknowledge input for DASP)
DSCLK	CONN1819, R3908 → IC7701	reset in / Debug Serial CLoCK in
DSI	CONN1819, R3909 → IC7701	JTAG reset in / Debug Serial clock In
EFM		Eight to Fourteen Modulation = modulation method used for CD storage, also the actual raw CD signal as written or read on or from the CD disc
EFMCLK	IC7300 → IC7008	EFM CLoCK output
EFMDATA	IC7300 → IC7008	EFM DATA output
EFMTIM3		EFM TIMing generator
EPON	IC7008 → R3010 IC7008 → C2010	Erase Power ON
EPONO	IC7008 → R3107	Erase Power ON Open drain output
EPONRC	R3004 → CONN1000	Erase Power ON (after RC circuit)
ERASEC	IC7008 → R3087	ERASE Current switch CDRW output
ERON	IC7008 → IC 7010	ERror ON (to AEGER)
EXT_DIG_IN1	CONN1400 → IC7701	EXTeRnal DIGital INput 1
EXT_DIG_IN2	CONN1702, C2767, C2721 → R3701 → IC7701	EXTeRnal DIGital INput 2 (CDR950 only)
EXT_OPT_IN	CONN1400, C2722 → R3708 → IC7701	EXTeRnal OPTical INput
F_READY	* IC7703 → R3817 → IC7701 * CONN1701 → IC7701	Flash READY detection, this line is forced low as long as the flash is busy with erase or program algorithm
F_RW	IC7701 → IC7708B	Read/Write strobe for Flash ROM
FEN	IC7010 → IC7270	Focus Error Normalized current output
FOC-	IC7240 → CONN1000	FOCus actuator drive signal negative connection
FOC+	IC7240 → CONN1000	FOCus actuator drive signal positive connection
FS30V	D6500 → CONN1000	Forward Sense diode 30V power supply
FSA	CONN1000 → T7119, T7120	Forward Sense photo diode current output
FSCLR	IC7008 → IC7126	Forward Sense signals CLeaR switch
FSOF	IC7008 → R3052	Forward Sense photo diode sampling OFF

SIGNAL NAME	SIGNAL FLOW	FUNCTION AND DESCRIPTION
FSON	IC7008 → R3051	Forward Sense photo diode sampling ON
FSR	R3040 → IC7270	Forward Sense signal while Reading for read control loop
FSRS	IC7008 → IC7126D	Forward Sense photo diode Read Sampling
FSW	R3050 → IC7270	Forward Sense signal while Writing for write control loop
FSWS	IC7008 → IC7126C	Forward Sense photo diode Write Sampling
FWEN	IC7270 → IC7208, R3806	Flash EPROM Write ENable
HALL_U, HALL_V, HALL_W	IC7330 → IC7300, CONN1812	HALL feedback signals from turn table motor via hall motor driver
HFS0	IC7270 → R3249 → IC7360	select HF circuit
I ² C		Inter IC
I ² C_CLK	* IC7701, R3711 → R3715 → C2709 → F934 * IC7701, R3711 → IC7801	I ² C CLock line used for display slave processor and digital potmeter
I ² C_DATA	* IC7701, R3712 ↔ R3713 ↔ C2708, R3714 ↔ F934 * IC7701, R3712 ↔ IC7801	I ² C DATA line used for display slave processor and digital potmeter
I ² CL	R3248B → IC7207, R3247C	I ² C CLock line
I ² C_SCL	* IC7207 → IC7008 * IC7207 → IC7010 * IC7207 → R3248B	I ² C Serial CLock line
I ² C_SDA	* IC7207 ↔ IC7008 * IC7207 ↔ IC7010 * IC7207 ↔ R3248A	I ² C Serial DATA line
I ² DA	R3248A ↔ IC7270, R3247D	I ² C DATA line
I ² S_BCLK_AI	IC7701 → R3814 → IC7406	I ² S4 Bit CLock for CODEC (ADC for CDR950) Analog Input (record from analog source)
I ² S_BCLK_AO	IC7701 → R3894A → IC7406	I ² S2 Bit CLock for CODEC (DAC for CDR950) Analog Output
I ² S_BCLK_CD	CONN1708, C2739 → R3834 → IC7701	I ² S3 Bit CLock from CD player (record n=2) (CDR775 only)
I ² S_BCLK_MIC	CONN1708, C2739 → R3834 → IC7701	I ² S3 Bit CLock from MICrophone (CDR950 only)
I ² S_DATA_AI	IC7406 → IC7701	I ² S4 DATA from CODEC (ADC for CDR950) Analog Input (record from analog source)
I ² S_DATA_AO	IC7701 → R3894C → IC7406	I ² S2 DATA for CODEC (DAC for CDR950) Analog Output
I ² S_DATA_CD	CONN1708, C2738 → R3836 → IC7701	I ² S3 DATA from CD player (record n=2) (CDR775 only)
I ² S_DATA_MIC	CONN1708, C2738 → R3836 → IC7701	I ² S3 DATA from MICrophone (CDR950 only)
I ² S_WS_AI	IC7701 → R3743 → IC7406	I ² S4 Word CLock for CODEC (ADC for CDR950) Analog Input (record from analog source)
I ² S_WS_AO	IC7701 → R3894B → IC7406	I ² S2 Word CLock for CODEC (DAC for CDR950) Analog Output
I ² S_WS_CD	CONN1708, C2740 → R3833 → IC7701	I ² S3 Word CLock from CD player (record n=2) (CDR775 only)

SIGNAL NAME	SIGNAL FLOW	FUNCTION AND DESCRIPTION
I ² S_WS_MIC	CONN1708, C2740 → R3833 → IC7701	I ² S3 Word CLoCK from MICrophone (CDR950 only)
I ² S1_MS	IC7270 → R3910, IC7701	I ² S1 Master-Slave interrupt from MACE2
IE	T7121 → CONN1000	laser Erase drive current signal
INT_COPY_ANA	* IC7701 → R3721 → IC7401 * IC7701 → R3721 → R3410	select INTernal COPY ANAlog (in case of copy protected disc or track on CD drive) (CDR775 only)
IR	* T7135 → CONN1000 * T7135 → R3056 * T7135 → IC7008	laser Read drive current signal
IW	* T7122 → CONN1000 * T7122 → D6003	laser Write drive current signal
KEY_PRESSED	IC7706B → R3816 → IC7701	KEY PRESSED interrupt
KILL	T7560, T7561, R3560 → CONN1400, R3424, R3428	KILL signal from power supply part to audio outputs
KILL_OUT	IC7701 → R3532	disables the KILL activity from the PSU; 1 = no kill, 0 = kill active
L12V	supply voltage	+12V supply voltage for servo/Laser part
L3_CLK	IC7701 → R3725 → IC7406	L3 interface CLoCK line / control CODEC (not for CDR950)
L3_DATA	IC7701 ↔ R3728 ↔ IC7406	L3 interface DATA line with CODEC (not for CDR950)
L3_MODE	IC7701 → R3735 → IC7406	L3 interface MODE line selects data or address transfer mode for CODEC (not for CDR950)
L5V	supply voltage	+5V supply voltage for servo/Laser part
L-5V	supply voltage	-5V supply voltage for servo/Laser part
LASCK	IC7270 ↔ R3248D	CloCK line DAC LASer control
LASDACCK	R3248D ↔ IC7016	CloCK line DAC LASer control
LASDACDI	R3248C ↔ IC7016	Data line DAC LASer control
LASDACLD	R3212 ↔ IC7016	LoaD line DAC LASer control
LASDD	IC7270 ↔ R3248C	Data line DAC LASer control
LASLD	* IC7270 ↔ R3238 ↔ R3212 * IC7270 ↔ R3232	LoaD line DAC LASer control
LEFT	CONN1708, C2743 → IC7401C, IC7407C	audio output LEFT channel from CD-player in CDR775
LLP	IC7270 → IC7300	Laser Low Power (active high), switches the laser from write to read power whenever the device tends to go offtrack
LWRT	R3048 → IC7008	Laser WRiTe control input
MA(16:17)	IC7270 ↔ IC7208	bank switch higher address lines
MA(8:15)	IC7270 ↔ IC7802 ↔ IC7208	address bus high byte
MACE2		Mini All Cd Engine (minus decoder + OPC + PCS + extra RAM)
MAD(0:7)	IC7270 ↔ IC7209 ↔ IC7802 ↔ IC7208 ↔ IC7300	bi-directional data bus / address bus low byte
MIRN	IC7010 → IC7270	MIRror Normalized (disc reflection) current output
MOTO1	IC7300 → IC7355A	turn table MOTOr control output

SIGNAL NAME	SIGNAL FLOW	FUNCTION AND DESCRIPTION
MRDN	IC7270 → R3276 → R3242A, IC7802, IC7300	Master ReaD, read strobe for external peripherals, active low
MUTE	* IC7270 → R3718, R3723 * IC7270 → IC7701	MUTE control from MACE2 to DASP, active low
MWRN	IC7270 → R3280 → R3242B, IC7802, IC7300	Master WRite, write strobe for external peripherals, active low
NMUTE	IC7701 → R3726, IC7406	MUTE output, low active
OFFTRACK	IC7270 → IC7300	OFFTRACK detection flag
OPC		Optimum Power Calibration
P12VKILL	supply voltage	+12V supply voltage for KILL-circuit
PCS		Position Control Sledge
PCSCOS	IC7225B, C2229 → IC7270, CONN1812	Position Control Sledge COS feedback signal
PCSSIN	IC7225A, C2227 → IC7270, CONN1812	Position Control Sledge SIN feedback signal
PDAR		Photo Diode Amplifier Recordable
PERASE	R3036, R3031, R3030, R3029, R3028, R3027, R3020 → IC7002C, R3043, T7113	laser Power switch for ERASE
POWER_UP	IC7270 → R3243C, R3556, R3538	standby pin, high level activates essential powers necessary for full function; overrules HI_POWER setting
PPN	IC7010 → IC7050C	Push-Pull signal, Normalized, balanced, voltage output
PRCOARSE	IC7016 → R3057	drive signal from Power Read COARSE DAC for read current source
PRFINE	IC7016 → R3058	drive signal from Power Read FINE DAC for read current source
PROF_EBU	IC7701 → CONN1820	PROFessional digital output (CDR950 only)
PSEn	* IC7270 → R3260 → IC7208 * IC7270 → R3231	Program Store ENable; external ROM output enable line, active low
PW	R3081 → IC7008	Write Power signal to OPC input of MACE2
PWB	IC7001C → IC7016	drive signal to XDAC's for write and erase current sources and VCAGAIN
PWD	* IC7016 → IC7002B * IC7016 → IC7002C	drive signal from XDAC for write and erase current sources
PWMAX	IC7016 → R3073	PW MAXimum signal from DAC used for determining set point for laser power during writing
PWMIN	IC7016 → R3072	PW MINimum signal from DAC used for determining set point for laser power during writing
PWRITE	R3035, R3026, R3025, R3024, R3023, R3022, R3021 → IC7002B, R3044, T7124	laser Power switch for WRITE
RAD-	IC7240 → CONN1000	Radial actuator drive signal negative connection
RAD+	IC7240 → CONN1000	Radial actuator drive signal positive connection
RAS0	IC7701 → IC7702	Row Address Strobe DRAM
RCK	IC7300 → R3319 → IC7701	EIAJ subcode clock from CDR60 to DASP (CD text interface)
RDGAIN1	IC7008 → R3054	forward sense ReaD GAIN switch 1

SIGNAL NAME	SIGNAL FLOW	FUNCTION AND DESCRIPTION
RDGAIN2	IC7008 → C2027	forward sense ReaD GAIN switch 2
RDGAIN3	IC7008 → C2060	forward sense ReaD GAIN switch 3
RE	IC7010 → IC7215A	Radial Error signal for fast track counting, voltage output
RECORDING	* IC7008 → IC7010 * IC7008 → CONN1000 * IC7008 → IC7355C	RECORDING output (active high)
REN	IC7010 → IC7270	Radial Error Normalized current output
RIGHT	CONN1708, C2742 → IC7401A, IC7407A	audio output RIGHT channel from CD-player in CDR775
RXD_TOOL	CONN1818 → IC7701	Receive of UART for test TOOL
S1V65	Reference Voltage	1.65V delivered by IC7215B for Servo part
S2V9	Reference Voltage	2.9V delivered by IC7010 for Servo part
SEL_HP_OUT	* IC7701 → R3720 → IC7407	SElect HeadPhone OUTput in DJ-mode (for CDR775 only)
SFSY	IC7701 → R3756 → IC7300	EIAJ subcode synchronisation from DASP to CDR60 (CD text interface)
SIN-	CONN1220 → IC7225A	Hall feedback signal from sledge motor
SIN+	CONN1220 → IC7225A	Hall feedback signal from sledge motor
SL-	IC7240 → R3265 → CONN1220	SLedge motor drive signal negative connection
SL+	IC7240 → CONN1220	SLedge motor drive signal positive connection
SRSTN	IC7270 → R3243B, IC7300	Slave ReSeT out (CDR60 reset), active low
STANDBY	IC7270 → R3807 → R3887 → IC7701	STANDBY pin, high level activates essential powers necessary for full function; overrules HI_POWER setting
SUB	IC7701 → R3710 → IC7300	EIAJ subcode data from DASP to CDR60 (CD text interface)
SYS_CLK_11W	IC7701 → R3732 → IC7406	11.2896 MHz SYStem CLock for AD/DA datapath
SYS_CLK_16W	IC7701 → R3894D → IC7706A	16.9344 MHz SYStem CLock for producing SYS_CLK_BE
SYS_CLK_8W	IC7706A → R3815 → CONN1708	SYStem CLock CD player (8.4672 MHz) (CDR775 only)
SYS_CLK_BE	IC7706A → R3826 → IC7270	SYStem CLock Basic Engine (8.4672 MHz)
SYS_RESET	* IC7701 → R3758 → CONNF934 * IC7701 → R3770 → T7707 → CONN1708	SYStem RESET to display assy (and CD player for CDR775)
TCK	CONN1819 → R3906, IC7701	JTAG Clock signal
TDSO	IC7701 → CONN1819	JTAG Serial Data Out / debug data out
TERMB	IC7270 ↔ CONN1818	UART connection with MACE
TLN	IC7010 → IC7270	Track Loss Normalized current output
TR-	IC7240 → CONN1200	TRay motor drive signal negative connection
TR+	IC7240 → CONN1200	TRay motor drive signal positive connection
TRACE99_RXD	CONN1818 → R3838, IC7701	TRACE99 test tool receive data
TRACE99_TXD	IC7701 → CONN1818	TRACE99 test tool transmit data
TRAYIN	IC7270 → IC7240	move TRAY IN line, active low

SIGNAL NAME	SIGNAL FLOW	FUNCTION AND DESCRIPTION
TRAYOUT	IC7270 → IC7240	move TRAY OUT line, active low
TRAYSW	* CONN1200 → R3747 * CONN1200 → R3748	TRAY SWitch signal from loader assy
TRAYSWF	R3748, C2214 → IC7270	Filtered TRAY SWitch signal, low is completely out or in
TXD_TOOL	IC7701 → CONN1818	Transmit of UART for test TOOL
U+, U-, V+, V-, W+, W-	CONN1330 → IC7330	hall feedback signals from turn table motor to hall motor driver
UCOIL, VCOIL, WCOIL	IC7330 → CONN1330	drive signals for turn table motor
VCAGAIN	IC7016 → IC7005A	set-point laser power on disc, voltage output
VDC1	CONN1500 → CONNF934	supply voltage for display assy
VDC2	CONN1500 → CONNF934	supply voltage for display assy
VFO	IC7270 → R3295 → R3244	FOcus actuator drive output
VFTD	CONN1500 → CONNF934	Voltage Fluorescent Tube Display (display assy)
VRA	IC7270 → R3297 → R3254	RAdial actuator drive output
VSL	IC7270 → R3299 → IC7240	SLedge actuator drive output
WCLK	IC7701 → R3898B → IC7300	I ² S1 WordCLock from DASP to CDR60 (playback and record)
WOBBLE	IC7050C → IC7300	analog WOBBLE signal of pre-groove detected by PPN-signal
WPON	* IC7008 → R3009 * IC7008 → C2009	Write Power ON
WPONO	IC7008 → R3106	Write Power ON Open drain output
WPONRC	R3003 → CONN1000	Write Power ON (after RC circuit)
XDAC		multiplying DAC

10. Spareparts List

ELECTRICAL PARTSLIST MAINBOARD CDR'99

ITEM	CODENUMBER	DESCRIPTION	CDR775	CDR570	CDR770	CDR950
1000	482226710666	30 P. FEM.	+	+	+	+
1541	482225251173	19398E1(1,000A)	+	+	+	+
1542	482225251173	19398E1(1,000A)	+	+	+	+
1543	482225251173	19398E1(1,000A)	+	+	+	+
1707	482224210757	33.868 000MHZ SM 20P CX-11F	+	+	+	+
1708	482226760409	CONN 22P FEMALE	+	-	-	-
1820	482226710666	30 P. FEM.	-	-	-	+
2001	482212612105	CER2 0805 X7R 50V 33NF PM5	+	+	+	+
2002	482212614585	100NF 10% X7R 0805 50V	+	+	+	+
2003	482212614585	100NF 10% X7R 0805 50V	+	+	+	+
2009	482212233753	150PF 5%NP0 50V	+	+	+	+
2010	482212233753	150PF 5%NP0 50V	+	+	+	+
2011	482212614585	100NF 10% X7R 0805 50V	+	+	+	+
2012	482212614585	100NF 10% X7R 0805 50V	+	+	+	+
2013	482212614585	100NF 10% X7R 0805 50V	+	+	+	+
2014	482212614585	100NF 10% X7R 0805 50V	+	+	+	+
2015	482212614585	100NF 10% X7R 0805 50V	+	+	+	+
2016	482212614585	100NF 10% X7R 0805 50V	+	+	+	+
2018	482212613694	68PF 1% NP0 63V	+	+	+	+
2019	482212614585	100NF 10% X7R 0805 50V	+	+	+	+
2020	482212613188	15NF 5% X7R 63V	+	+	+	+
2021	482212233177	10NF 20% X7R 50V	+	+	+	+
2022	482212233177	10NF 20% X7R 50V	+	+	+	+
2023	482212614305	100NF 10% X7R 16V 0603 CER2	+	+	+	+
2024	482212614305	100NF 10% X7R 16V 0603 CER2	+	+	+	+
2025	482212614305	100NF 10% X7R 16V 0603 CER2	+	+	+	+
2026	222286115272	CER1 0805 NP0 50V	+	+	+	+
2027	222286115272	CER1 0805 NP0 50V	+	+	+	+
2028	532212232531	100PF 5%NP0 50V	+	+	+	+
2029	532212232531	100PF 5%NP0 50V	+	+	+	+
2030	532212231647	1NF10%X7R 63V	+	+	+	+
2031	482212614585	100NF 10% X7R 0805 50V	+	+	+	+
2032	482212614305	100NF 10% X7R 16V 0603 CER2	+	+	+	+
2033	482212614305	100NF 10% X7R 16V 0603 CER2	+	+	+	+
2037	482212614305	100NF 10% X7R 16V 0603 CER2	+	+	+	+
2038	482212614305	100NF 10% X7R 16V 0603 CER2	+	+	+	+
2039	482212233177	10NF 20% X7R 50V	+	+	+	+
2040	482212233172	390PF 5% NP0 50V	+	+	+	+
2041	532212234099	470PF10%X7R 63V	+	+	+	+
2042	532212233538	150PF 2%NP0 63V	+	+	+	+
2043	532212231647	1NF10%X7R 63V	+	+	+	+
2044	482212613486	15PF 2% NP0 63V	+	+	+	+
2045	482212614305	100NF 10% X7R 16V 0603 CER2	+	+	+	+
2046	482212614305	100NF 10% X7R 16V 0603 CER2	+	+	+	+
2047	482212614305	100NF 10% X7R 16V 0603 CER2	+	+	+	+
2048	482212614305	100NF 10% X7R 16V 0603 CER2	+	+	+	+
2049	532212611579	3,3NF10%X7R 63V	+	+	+	+
2050	482212614238	CER2 0603 X7R 50V 2N2 COL R	+	+	+	+
2052	482212614305	100NF 10% X7R 16V 0603 CER2	+	+	+	+
2053	482212614305	100NF 10% X7R 16V 0603 CER2	+	+	+	+
2054	482212614238	CER2 0603 X7R 50V 2N2 COL R	+	+	+	+
2056	532212611579	3,3NF10%X7R 63V	+	+	+	+
2057	482212614305	100NF 10% X7R 16V 0603 CER2	+	+	+	+
2058	482212614305	100NF 10% X7R 16V 0603 CER2	+	+	+	+
2059	482212614305	100NF 10% X7R 16V 0603 CER2	+	+	+	+
2060	532212611579	3,3NF10%X7R 63V	+	+	+	+
2061	482212411947	10UF 20% 16V	+	+	+	+

ITEM	CODENUMBER	DESCRIPTION	CDR775	CDR570	CDR770	CDR950
2063	482212614305	100NF 10% X7R 16V 0603 CER2	+	+	+	+
2078	482212614305	100NF 10% X7R 16V 0603 CER2	+	+	+	+
2080	482212614238	CER2 0603 X7R 50V 2N2 COL R	+	+	+	+
2081	532211680853	560PF 5%NP0 63V	+	+	+	+
2082	482212614238	CER2 0603 X7R 50V 2N2 COL R	+	+	+	+
2083	482212613956	68PF 5% NP0 63V CASE 0603	+	+	+	+
2084	482212232627	2.7NF10%X7R 50V	+	+	+	+
2126	482212614585	100NF 10% X7R 0805 50V	+	+	+	+
2207	482212614305	100NF 10% X7R 16V 0603 CER2	+	+	+	+
2208	482212614585	100NF 10% X7R 0805 50V	+	+	+	+
2209	482212614585	100NF 10% X7R 0805 50V	+	+	+	+
2214	482212614305	100NF 10% X7R 16V 0603 CER2	+	+	+	+
2216	482212233777	47PF 5%NP0 63V	+	+	+	+
2217	482212614494	22NF 10% X7R 25V 0603	+	+	+	+
2218	482212614585	100NF 10% X7R 0805 50V	+	+	+	+
2220	319801734730	CER2 0603 X7R 16V 47N COL	+	+	+	+
2221	482212614585	100NF 10% X7R 0805 50V	+	+	+	+
2222	482212614226	82PF 5% NP0 50V 0603	+	+	+	+
2224	482212614305	100NF 10% X7R 16V 0603 CER2	+	+	+	+
2225	482212614585	100NF 10% X7R 0805 50V	+	+	+	+
2226	482212614585	100NF 10% X7R 0805 50V	+	+	+	+
2227	319801631020	CER1 0603 NP0 25V 1N	+	+	+	+
2228	482212614585	100NF 10% X7R 0805 50V	+	+	+	+
2229	319801631020	CER1 0603 NP0 25V 1N	+	+	+	+
2230	482212614494	22NF 10% X7R 25V 0603	+	+	+	+
2231	482212614494	22NF 10% X7R 25V 0603	+	+	+	+
2232	482212614494	22NF 10% X7R 25V 0603	+	+	+	+
2233	319801631020	CER1 0603 NP0 25V 1N	+	+	+	+
2234	319801631020	CER1 0603 NP0 25V 1N	+	+	+	+
2235	319801631020	CER1 0603 NP0 25V 1N	+	+	+	+
2240	482212614305	100NF 10% X7R 16V 0603 CER2	+	+	+	+
2241	482212614305	100NF 10% X7R 16V 0603 CER2	+	+	+	+
2242	482212441796	22UF20% 16V	+	+	+	+
2243	482212614305	100NF 10% X7R 16V 0603 CER2	+	+	+	+
2255	482212614305	100NF 10% X7R 16V 0603 CER2	+	+	+	+
2256	482212614305	100NF 10% X7R 16V 0603 CER2	+	+	+	+
2272	482212614585	100NF 10% X7R 0805 50V	+	+	+	+
2273	482212614585	100NF 10% X7R 0805 50V	+	+	+	+
2274	482212614305	100NF 10% X7R 16V 0603 CER2	+	+	+	+
2275	482212614585	100NF 10% X7R 0805 50V	+	+	+	+
2276	482212614585	100NF 10% X7R 0805 50V	+	+	+	+
2277	482212614585	100NF 10% X7R 0805 50V	+	+	+	+
2278	482212614585	100NF 10% X7R 0805 50V	+	+	+	+
2283	482212614305	100NF 10% X7R 16V 0603 CER2	+	+	+	+
2284	482212614585	100NF 10% X7R 0805 50V	+	+	+	+
2285	482212614585	100NF 10% X7R 0805 50V	+	+	+	+
2286	482212233127	2,2NF10%X7R 63V	+	+	+	+
2287	482212233127	2,2NF10%X7R 63V	+	+	+	+
2288	532212232654	22NF10%X7R 63V	+	+	+	+
2289	482212614305	100NF 10% X7R 16V 0603 CER2	+	+	+	+
2291	482212614585	100NF 10% X7R 0805 50V	+	+	+	+
2300	482212614305	100NF 10% X7R 16V 0603 CER2	+	+	+	+
2302	482212614305	100NF 10% X7R 16V 0603 CER2	+	+	+	+
2303	482212614305	100NF 10% X7R 16V 0603 CER2	+	+	+	+
2304	482212614305	100NF 10% X7R 16V 0603 CER2	+	+	+	+
2305	482212614305	100NF 10% X7R 16V 0603 CER2	+	+	+	+
2306	482212614305	100NF 10% X7R 16V 0603 CER2	+	+	+	+
2308	222286115222	CER1 0805 NP0 50V 2N2 PM5	+	+	+	+
2309	222286115222	CER1 0805 NP0 50V 2N2 PM5	+	+	+	+
2310	222286115222	CER1 0805 NP0 50V 2N2 PM5	+	+	+	+
2314	482212614305	100NF 10% X7R 16V 0603 CER2	+	+	+	+

ITEM	CODENUMBER	DESCRIPTION	CDR775	CDR570	CDR770	CDR950
2315	482212614305	100NF 10% X7R 16V 0603 CER2	+	+	+	+
2316	482212614305	100NF 10% X7R 16V 0603 CER2	+	+	+	+
2317	532212611579	3,3NF10%X7R 63V	+	+	+	+
2318	482212614585	100NF 10% X7R 0805 50V	+	+	+	+
2319	482212614585	100NF 10% X7R 0805 50V	+	+	+	+
2320	482212614585	100NF 10% X7R 0805 50V	+	+	+	+
2321	482212614585	100NF 10% X7R 0805 50V	+	+	+	+
2322	532212611579	3,3NF10%X7R 63V	+	+	+	+
2333	482212614305	100NF 10% X7R 16V 0603 CER2	+	+	+	+
2335	319801734730	CER2 0603 X7R 16V 47N COL	+	+	+	+
2336	482212614305	100NF 10% X7R 16V 0603 CER2	+	+	+	+
2337	482212614305	100NF 10% X7R 16V 0603 CER2	+	+	+	+
2355	482212614305	100NF 10% X7R 16V 0603 CER2	+	+	+	+
2359	482212613692	47PF 1% NP0 63V	+	+	+	+
2360	482212614305	100NF 10% X7R 16V 0603 CER2	+	+	+	+
2362	482212613751	47NF10% X7R 63V	+	+	+	+
2364	482212614585	100NF 10% X7R 0805 50V	+	+	+	+
2368	223886115182	CER1 0805 NP0 50V 1N8 PM5 R	+	+	+	+
2369	532212232268	470PF 10% 50V	+	+	+	+
2370	482212441796	22UF20% 16V	+	+	+	+
2371	482212614305	100NF 10% X7R 16V 0603 CER2	+	+	+	+
2372	532212232447	1PF 5% NP0 63V CASE 0805	+	+	+	+
2373	482212441796	22UF20% 16V	+	+	+	+
2374	482212614305	100NF 10% X7R 16V 0603 CER2	+	+	+	+
2375	482212614305	100NF 10% X7R 16V 0603 CER2	+	+	+	+
2378	482212614305	100NF 10% X7R 16V 0603 CER2	+	+	+	+
2379	482212613692	47PF 1% NP0 63V	+	+	+	+
2401	482212614585	100NF 10% X7R 0805 50V	+	+	+	-
2402	482205120008	0R00 JUMP. (0805)	+	+	+	+
2404	482212412245	ELCAP 10V 220U PM20	+	+	+	-
2405	482212614585	100NF 10% X7R 0805 50V	+	+	+	-
2406	532212411919	47UF 20% 6,3V	+	+	+	-
2407	482212614585	100NF 10% X7R 0805 50V	+	+	+	-
2408	532212411919	47UF 20% 6,3V	+	+	+	-
2409	482212614585	100NF 10% X7R 0805 50V	+	+	+	-
2411	319803074780	ELCAP SM 35V 4U7 PM20 COL R	+	+	+	-
2413	482212613838	100NF Y5V 0805 50V P80M20	+	+	+	-
2414	482212480483	47UF20% 6,3V	+	+	+	-
2415	482212614585	100NF 10% X7R 0805 50V	+	+	+	-
2417	319803074780	ELCAP SM 35V 4U7 PM20 COL R	+	+	+	-
2419	482212613838	100NF Y5V 0805 50V P80M20	+	+	+	-
2421	482212614585	100NF 10% X7R 0805 50V	+	+	+	-
2422	482212614585	100NF 10% X7R 0805 50V	+	+	+	-
2424	482212480483	47UF20% 6,3V	+	+	+	-
2425	482212233216	270PF 5%NP0 50V	+	+	-	-
2430	482212480483	47UF20% 6,3V	+	+	+	-
2431	482212233216	270PF 5%NP0 50V	+	-	-	-
2433	482212614585	100NF 10% X7R 0805 50V	+	-	-	-
2434	482212614585	100NF 10% X7R 0805 50V	+	+	+	-
2435	482212614585	100NF 10% X7R 0805 50V	+	+	+	-
2437	202002490264	ELCAP MA 4V S 470U PM20 A	+	+	+	-
2438	202002490264	ELCAP MA 4V S 470U PM20 A	+	+	+	-
2440	482212480483	47UF20% 6,3V	+	+	+	-
2441	482212480483	47UF20% 6,3V	+	+	+	-
2442	532212231647	1NF10%X7R 63V	+	+	+	-
2443	532212231647	1NF10%X7R 63V	+	+	+	-
2450	482212233216	270PF 5%NP0 50V	+	+	+	-
2451	482212233216	270PF 5%NP0 50V	+	+	+	-
2460	482212611663	12PF	+	+	+	-
2463	482212233926	12PF 50V	+	+	+	-
2464	482212611663	12PF	+	+	+	-

ITEM	CODENUMBER	DESCRIPTION	CDR775	CDR570	CDR770	CDR950
2465	482212611663	12PF	+	+	+	-
2500	482212614238	CER2 0603 X7R 50V 2N2 COL R	+	+	+	+
2501	482212614238	CER2 0603 X7R 50V 2N2 COL R	+	+	+	+
2502	482212614238	CER2 0603 X7R 50V 2N2 COL R	+	+	+	+
2504	482212412245		+	+	+	+
2505	482212412255	10UF 20% 50V	+	+	+	+
2506	482212612105	CER2 0805 X7R 50V 33NF PM5	+	+	+	+
2507	482212412255	10UF 20% 50V	+	+	+	+
2508	482212614585	100NF 10% X7R 0805 50V	+	+	+	+
2509	482212614585	100NF 10% X7R 0805 50V	+	+	+	+
2535	482212614585	100NF 10% X7R 0805 50V	+	+	+	+
2536	482212614585	100NF 10% X7R 0805 50V	+	+	+	+
2537	532212411919	47UF 20% 6,3V	+	+	+	+
2541	482212614305	100NF 10% X7R 16V 0603 CER2	+	+	+	+
2543	482212614585	100NF 10% X7R 0805 50V	+	+	+	+
2544	482212480483	47UF20% 6,3V	+	+	+	+
2546	482212480483	47UF20% 6,3V	+	+	+	+
2547	482212481286	47UF20% 16V	+	+	+	+
2548	482212441643	100UF 20% 16V DIM:6,3X11MM	+	+	+	+
2550	482212614585	100NF 10% X7R 0805 50V	+	+	+	+
2551	482212441796	22UF20% 16V	+	+	+	+
2552	532212231647	1NF10%X7R 63V	+	+	+	+
2553	482212614585	100NF 10% X7R 0805 50V	+	+	+	+
2555	482212233177	10NF 20% X7R 50V	+	+	+	+
2556	482212614305	100NF 10% X7R 16V 0603 CER2	+	+	+	+
2557	482212614305	100NF 10% X7R 16V 0603 CER2	+	+	+	+
2558	482212441584	100UF 20% 10V	+	+	+	+
2561	482212614585	100NF 10% X7R 0805 50V	+	+	+	+
2562	482212614585	100NF 10% X7R 0805 50V	+	+	+	+
2563	482212614585	100NF 10% X7R 0805 50V	+	+	+	+
2565	482212614305	100NF 10% X7R 16V 0603 CER2	+	+	+	+
2568	482212441643	100UF 20% 16V DIM:6,3X11MM	+	+	+	+
2571	482212614305	100NF 10% X7R 16V 0603 CER2	+	+	+	+
2572	482212614585	100NF 10% X7R 0805 50V	+	+	+	+
2574	482212614585	100NF 10% X7R 0805 50V	+	+	+	+
2575	482212412245	ELCAP 220U 16V 20%	+	+	+	+
2576	482212613838	100NF Y5V 0805 50V P80M20	+	+	+	+
2577	482212614305	100NF 10% X7R 16V 0603 CER2	+	+	+	+
2700	482212614585	100NF 10% X7R 0805 50V	+	+	+	+
2701	532212411919	47UF 20% 6,3V	+	+	+	+
2702	482212614585	100NF 10% X7R 0805 50V	+	+	+	+
2703	532212411919	47UF 20% 6,3V	+	+	+	+
2704	482212614585	100NF 10% X7R 0805 50V	+	+	+	+
2705	482212614585	100NF 10% X7R 0805 50V	+	+	+	+
2706	482212614585	100NF 10% X7R 0805 50V	+	+	+	+
2707	482212613692	47PF 1% NP0 63V	+	+	+	+
2708	482212613692	47PF 1% NP0 63V	+	+	+	+
2709	482212613692	47PF 1% NP0 63V	+	+	+	+
2710	532212411919	47UF 20% 6,3V	+	+	+	+
2711	482212614585	100NF 10% X7R 0805 50V	+	+	+	+
2712	482212612105	CER2 0805 X7R 50V 33NF PM5	+	+	+	+
2713	532212611583	10NF 10% X7R 50V 0603 CER2	+	+	+	+
2714	482212614549	33N 16V X7R O6O3	+	+	+	+
2715	482212614585	100NF 10% X7R 0805 50V	+	+	+	+
2716	532212611583	10NF 10% X7R 50V 0603 CER2	+	+	+	+
2717	319801741050	CER2 0603 Y5V 10V 1U COL R	+	+	+	+
2718	532211680853	560PF 5%NP0 63V	+	+	+	+
2719	532211680853	560PF 5%NP0 63V	+	+	+	+
2720	532212231647	1NF10%X7R 63V	+	+	+	+
2721	482212613692	47PF 1% NP0 63V	+	+	+	+
2722	482212613692	47PF 1% NP0 63V	+	+	+	+

ITEM	CODENUMBER	DESCRIPTION	CDR775	CDR570	CDR770	CDR950
2723	482212614585	100NF 10% X7R 0805 50V	+	+	+	+
2725	482212614585	100NF 10% X7R 0805 50V	+	+	+	+
2726	482212614585	100NF 10% X7R 0805 50V	+	+	+	+
2727	482212614585	100NF 10% X7R 0805 50V	+	+	+	+
2728	482212614585	100NF 10% X7R 0805 50V	+	+	+	+
2731	482212613692	47PF 1% NP0 63V	+	-	-	-
2733	482212233777	47PF 5%NP0 63V	+	-	-	-
2734	482212233777	47PF 5%NP0 63V	+	-	-	-
2735	482212233777	47PF 5%NP0 63V	+	-	-	-
2736	482212614305	100NF 10% X7R 16V 0603 CER2	+	-	-	-
2737	482212614305	100NF 10% X7R 16V 0603 CER2	+	-	-	-
2738	482212233777	47PF 5%NP0 63V	+	-	-	-
2739	482212233777	47PF 5%NP0 63V	+	-	-	-
2740	482212233777	47PF 5%NP0 63V	+	-	-	-
2741	482212233777	47PF 5%NP0 63V	+	-	-	-
2742	482212233777	47PF 5%NP0 63V	+	-	-	-
2743	482212233777	47PF 5%NP0 63V	+	-	-	-
2750	319801741050	CER2 0603 Y5V 10V 1U COL R	+	+	+	+
2751	482212614585	100NF 10% X7R 0805 50V	+	+	+	+
2752	482212614585	100NF 10% X7R 0805 50V	+	+	+	+
2760	482212614585	100NF 10% X7R 0805 50V	+	+	+	+
2761	482212614585	100NF 10% X7R 0805 50V	+	+	+	+
2762	482212612105	CER2 0805 X7R 50V 33NF PM5	+	+	+	+
2763	482212614585	100NF 10% X7R 0805 50V	+	+	+	+
2764	482212612105	CER2 0805 X7R 50V 33NF PM5	+	+	+	+
2765	482212612105	CER2 0805 X7R 50V 33NF PM5	+	+	+	+
2766	482212612105	CER2 0805 X7R 50V 33NF PM5	+	+	+	+
2901	319802190030	RST JUMPER 0603 0.05 OHM	+	+	+	+
2902	482205120008	0R00 JUMP. (0805)	+	+	+	+
2903	319802190030	RST JUMPER 0603 0.05 OHM	+	+	-	+
2904	319802190030	RST JUMPER 0603 0.05 OHM	+	+	+	+
2905	319802190030	RST JUMPER 0603 0.05 OHM	+	+	+	+
2906	482205120008	0R00 JUMP. (0805)	+	+	+	+
2907	482205120008	0R00 JUMP. (0805)	+	+	+	+
2908	319802190030	RST JUMPER 0603 0.05 OHM	+	+	+	+
2909	319801741050	CER2 0603 Y5V 10V 1U COL R	+	+	+	+
2910	482212412245	ELCAP 220U 16V 20%	+	+	+	+
3000	482205120101	100R00 5% 0,1W	+	+	+	+
3001	482211711151	1R 5%	+	+	+	+
3002	482205120122	1K20 5% 0,1W	+	+	+	+
3003	482205130121	120R00 5% 0,062W	+	+	+	+
3004	482205130121	120R00 5% 0,062W	+	+	+	+
3006	482205130008	0R00 JUMPER	+	+	+	+
3007	482205120154	150K00 5% 0,1W	+	+	+	+
3009	482205130681	680R00 5% 0,062W	+	+	+	+
3010	482205130681	680R00 5% 0,062W	+	+	+	+
3011	482205120829	82R00 5% 0,1W	+	+	+	+
3012	482205130154	150K00 5% 0,062W	+	+	+	+
3013	482205120105	1M00 5% 0,1W	+	+	+	+
3014	482211711139	1K5 1% 0,1W	+	+	+	+
3015	482211683933	15K 1% 0,1W	+	+	+	+
3016	482211713172	62K 1% RC12H 0805 0,1W	+	+	+	+
3017	482205130392	3K9 5% 0.063W 0603	+	+	+	+
3019	482205130105	1M00 5% 0,062W	+	+	+	+
3020	482211683933	15K 1% 0,1W	+	+	+	+
3021	482211683933	15K 1% 0,1W	+	+	+	+
3022	482211711456	30K 1% 0,1W	+	+	+	+
3023	482211713172	62K 1% RC12H 0805 0,1W	+	+	+	+
3024	482211711374	120K 1% RC12H 0805	+	+	+	+
3025	482211713569	240K 1% 0805 RC12H	+	+	+	+
3026	482205120474	470K00 5% 0,1W	+	+	+	+

ITEM	CODENUMBER	DESCRIPTION	CDR775	CDR570	CDR770	CDR950
3027	482211711456	30K 1% 0,1W	+	+	+	+
3028	482211713172	62K 1% RC12H 0805 0,1W	+	+	+	+
3029	482211711374	120K 1% RC12H 0805	+	+	+	+
3030	482211713569	240K 1% 0805 RC12H	+	+	+	+
3031	482205120474	470K00 5% 0,1W	+	+	+	+
3035	482211713571	910K 1% 0805 RC12H	+	+	+	+
3036	482211713571	910K 1% 0805 RC12H	+	+	+	+
3037	482211710833	10K 1% 0,1W	+	+	+	+
3039	482205130183	18K00 5% 0,062W	+	+	+	+
3040	482205130101	100R00 5% 0,062W	+	+	+	+
3041	482205130103	10K00 5% 0,062W	+	+	+	+
3043	482205130105	1M00 5% 0,062W	+	+	+	+
3044	482205120105	1M00 5% 0,1W	+	+	+	+
3048	482205130103	10K00 5% 0,062W	+	+	+	+
3049	482205110102	1K00 2% 0,25W	+	+	+	+
3050	482205130101	100R00 5% 0,062W	+	+	+	+
3051	482211712902	8K2 1% 0.063W 0603	+	+	+	+
3052	482211712902	8K2 1% 0.063W 0603	+	+	+	+
3053	482205130102	1K00 5% 0,062W	+	+	+	+
3054	482211711188	20K 1% 0,1W	+	+	+	+
3055	482205130102	1K00 5% 0,062W	+	+	+	+
3056	482205130102	1K00 5% 0,062W	+	+	+	+
3057	482205120472	4K70 5% 0,1W	+	+	+	+
3058	482205120154	150K00 5% 0,1W	+	+	+	+
3059	482205130682	6K80 5% 0,062W	+	+	+	+
3060	482205130103	10K00 5% 0,062W	+	+	+	+
3061	482205130102	1K00 5% 0,062W	+	+	+	+
3063	482211713572	22R 5% 1206	+	+	+	+
3064	482205130221	220R00 5% 0,062W	+	+	+	+
3065	482205120393	39K00 5% 0,1W	+	+	+	+
3066	482211712367	33K 1% 0.10W	+	+	+	+
3067	482205130102	1K00 5% 0,062W	+	+	+	+
3068	482205120472	4K70 5% 0,1W	+	+	+	+
3069	482205120392	3K90 5% 0,1W	+	+	+	+
3070	482205110102	1K00 2% 0,25W	+	+	+	+
3071	482205130222	2K20 5% 0,062W	+	+	+	+
3072	482205120472	4K70 5% 0,1W	+	+	+	+
3073	482205120472	4K70 5% 0,1W	+	+	+	+
3074	482211711151	1R 5%	+	+	+	+
3075	482205120154	150K00 5% 0,1W	+	+	+	+
3076	482205120154	150K00 5% 0,1W	+	+	+	+
3077	482205120154	150K00 5% 0,1W	+	+	+	+
3078	482205130102	1K00 5% 0,062W	+	+	+	+
3079	482211711751	16K RC12H 1% 0805	+	+	+	+
3081	482205110102	1K00 2% 0,25W	+	+	+	+
3082	482205130102	1K00 5% 0,062W	+	+	+	+
3085	482211713568	6R8 5% 1206	+	+	+	+
3086	482211711503	220R 1% 0.1W	+	+	+	+
3087	482205130222	2K20 5% 0,062W	+	+	+	+
3088	482205130152	1K50 5% 0,062W	+	+	+	+
3090	482205130479	47R00 5% 0,062W	+	+	+	+
3091	482211712903	1K8 1% 0.063W 0603	+	+	+	+
3092	482205130103	10K00 5% 0,062W	+	+	+	+
3094	482205130221	220R00 5% 0,062W	+	+	+	+
3095	482211713568	6R8 5% 1206	+	+	+	+
3097	482205130479	47R00 5% 0,062W	+	+	+	+
3098	482205130103	10K00 5% 0,062W	+	+	+	+
3100	482205120472	4K70 5% 0,1W	+	+	+	+
3101	482211713572	22R 5% 1206	+	+	+	+
3102	482211711148	56K 1% 0,1W	+	+	+	+
3103	482211710833	10K 1% 0,1W	+	+	+	+

ITEM	CODENUMBER	DESCRIPTION	CDR775	CDR570	CDR770	CDR950
3104	482211710833	10K 1% 0,1W	+	+	+	+
3105	482205120182	1K80 5% 0,1W	+	+	+	+
3106	482205130008	0R00 JUMPER	+	+	+	+
3107	482205130008	0R00 JUMPER	+	+	+	+
3110	482205130103	10K00 5% 0,062W	+	+	+	+
3111	482211712902	8K2 1% 0.063W 0603	+	+	+	+
3112	482205130479	47R00 5% 0,062W	+	+	+	+
3113	482211711503	220R 1% 0.1W	+	+	+	+
3114	482211713577	330R 1% RC12H 0805 1,25W	+	+	+	+
3115	482211712521	68R 1% 0,1W	+	+	+	+
3116	482211711817	1K2 1% 1/16W	+	+	+	+
3117	482205130103	10K00 5% 0,062W	+	+	+	+
3118	482205130561	560R00 5% 0,062W	+	+	+	+
3119	482205130221	220R00 5% 0,062W	+	+	+	+
3120	532211711726	10R 5%	+	+	+	+
3123	482205130472	4K70 5% 0,062W	+	+	+	+
3126	482205130682	6K80 5% 0,062W	+	+	+	+
3127	482211712903	1K8 1% 0.063W 0603	+	+	+	+
3128	482205130479	47R00 5% 0,062W	+	+	+	+
3129	482205130102	1K00 5% 0,062W	+	+	+	+
3130	482205130103	10K00 5% 0,062W	+	+	+	+
3131	482205130103	10K00 5% 0,062W	+	+	+	+
3200	482205120479	47R00 5% 0,1W	+	+	+	+
3201	482205120479	47R00 5% 0,1W	+	+	+	+
3202	482205120479	47R00 5% 0,1W	+	+	+	+
3203	482205120479	47R00 5% 0,1W	+	+	+	+
3204	482205120479	47R00 5% 0,1W	+	+	+	+
3205	482205120479	47R00 5% 0,1W	+	+	+	+
3206	482205120479	47R00 5% 0,1W	+	+	+	+
3207	482205120479	47R00 5% 0,1W	+	+	+	+
3208	482211710833	10K 1% 0,1W	+	+	+	+
3209	482215771206	BLM21A601SPT	+	+	+	+
3210	482211713573	NETW 4 X 47R 5% MNR14	+	+	+	+
3211	482211713573	NETW 4 X 47R 5% MNR14	+	+	+	+
3212	482211711503	220R 1% 0.1W	+	+	+	+
3213	482205130008	0R00 JUMPER	+	+	+	+
3215	482205130153	15K00 5% 0,062W	+	+	+	+
3216	482205130153	15K00 5% 0,062W	+	+	+	+
3217	482211712925	47K 1% 0.063W 0603	+	+	+	+
3218	482205130103	10K00 5% 0,062W	+	+	+	+
3219	482205130223	22K00 5% 0,062W	+	+	+	+
3220	482205130103	10K00 5% 0,062W	+	+	+	+
3221	482205130223	22K00 5% 0,062W	+	+	+	+
3222	482211713573	NETW 4 X 47R 5% MNR14	+	+	+	+
3223	482211713573	NETW 4 X 47R 5% MNR14	+	+	+	+
3224	482211711374	120K 1% RC12H 0805	+	+	+	+
3225	482211712367	33K 1% 0.10W	+	+	+	+
3226	482211710833	10K 1% 0,1W	+	+	+	+
3227	482211712367	33K 1% 0.10W	+	+	+	+
3228	482211710833	10K 1% 0,1W	+	+	+	+
3229	482211711374	120K 1% RC12H 0805	+	+	+	+
3230	482211713632	100K 1% 0603 0.62W	+	+	+	+
3231	482211713632	100K 1% 0603 0.62W	+	+	+	+
3232	482211710833	10K 1% 0,1W	+	+	+	+
3233	482205120101	100R00 5% 0,1W	+	+	+	+
3234	482205110102	1K00 2% 0,25W	+	+	+	+
3235	482211713573	NETW 4 X 47R 5% MNR14	+	+	+	+
3237	482205130562	5K6 5% 0,063W 0603 RC21 RST SM	+	+	+	+
3238	482205130221	220R00 5% 0,062W	+	+	+	+
3239	482205130102	1K00 5% 0,062W	+	+	+	+
3240	482205130103	10K00 5% 0,062W	+	+	+	+

ITEM	CODENUMBER	DESCRIPTION	CDR775	CDR570	CDR770	CDR950
3241	482205130008	OR00 JUMPER	+	+	+	+
3242	235003510103	RST NETW SM ARV24 4X10K PM5 R	+	+	+	+
3243	235003510103	RST NETW SM ARV24 4X10K PM5 R	+	+	+	+
3244	482205130008	OR00 JUMPER	+	+	+	+
3245	482205130221	220R00 5% 0,062W	+	+	+	+
3246	482205130221	220R00 5% 0,062W	+	+	+	+
3248	482211713523	220R 5% RESN 0.63W	+	+	+	+
3249	482211711503	220R 1% 0.1W	+	+	+	+
3252	482211711145	4K70 1% 0,1W	+	+	+	+
3253	482211711145	4K70 1% 0,1W	+	+	+	+
3254	482205130008	OR00 JUMPER	+	+	+	+
3255	482211710833	10K 1% 0,1W	+	+	+	+
3256	482205130008	OR00 JUMPER	+	+	+	+
3260	482205130008	OR00 JUMPER	+	+	+	+
3261	482205130222	2K20 5% 0,062W	+	+	+	+
3265	482205130008	OR00 JUMPER	+	+	+	+
3271	482211713573	NETW 4 X 47R 5% MNR14	+	+	+	+
3273	482211713573	NETW 4 X 47R 5% MNR14	+	+	+	+
3274	482211710837	100K 1% 0.1W	+	+	+	+
3276	482205130479	47R00 5% 0,062W	+	+	+	+
3280	482205130479	47R00 5% 0,062W	+	+	+	+
3281	482211713579	220K 1% 0.1W RC12H 0805	+	+	+	+
3284	482211711151	1R 5%	+	+	+	+
3286	482205130223	22K00 5% 0,062W	+	+	+	+
3287	482205130103	10K00 5% 0,062W	+	+	+	+
3288	482205130563	56K00 5% 0,062W	+	+	+	+
3289	482205130563	56K00 5% 0,062W	+	+	+	+
3290	482205130683	68K00 5% 0,062W	+	+	+	+
3291	482205130563	56K00 5% 0,062W	+	+	+	+
3295	482205130332	3K30 5% 0,062W	+	+	+	+
3297	482205130332	3K30 5% 0,062W	+	+	+	+
3299	482205130332	3K30 5% 0,062W	+	+	+	+
3300	482205110102	1K00 2% 0,25W	+	+	+	+
3301	482205110102	1K00 2% 0,25W	+	+	+	+
3303	482211713572	22R 5% 1206	+	+	+	+
3305	482211710833	10K 1% 0,1W	+	+	+	+
3308	482205120008	OR00 JUMP. (0805)	+	+	+	+
3309	482211712367	33K 1% 0.10W	+	+	+	+
3312	482205130479	47R00 5% 0,062W	+	+	+	+
3313	482205130479	47R00 5% 0,062W	+	+	+	+
3314	482205120479	47R00 5% 0,1W	+	+	+	+
3315	482205130102	1K00 5% 0,062W	+	+	+	+
3316	482205120472	4K70 5% 0,1W	+	+	+	+
3317	482205120472	4K70 5% 0,1W	+	+	+	+
3319	482205120479	47R00 5% 0,1W	+	+	+	+
3322	482205130102	1K00 5% 0,062W	+	+	+	+
3323	482205130562	5K6 5% 0,063W 0603 RC21 RST SM	+	+	+	+
3324	482205130562	5K6 5% 0,063W 0603 RC21 RST SM	+	+	+	+
3325	482205130103	10K00 5% 0,062W	+	+	+	+
3333	482211713574	1R5 5% 1206	+	+	+	+
3334	482211713574	1R5 5% 1206	+	+	+	+
3335	482211713574	1R5 5% 1206	+	+	+	+
3337	482205130563	56K00 5% 0,062W	+	+	+	+
3338	532211712487	1K RC12G 1% 0,125W	+	+	+	+
3339	532211712487	1K RC12G 1% 0,125W	+	+	+	+
3340	482211713632	100K 1% 0603 0.62W	+	+	+	+
3341	232273468209	RST SM 0805 RC12H 82R PM1	+	+	+	+
3346	482211711507	6K8 1% 0,1W	+	+	+	+
3347	482211711507	6K8 1% 0,1W	+	+	+	+
3348	482211711507	6K8 1% 0,1W	+	+	+	+
3349	482211713632	100K 1% 0603 0.62W	+	+	+	+

ITEM	CODENUMBER	DESCRIPTION	CDR775	CDR570	CDR770	CDR950
3350	232273468209	RST SM 0805 RC12H 82R PM1	+	+	+	+
3351	482211711151	1R 5%	+	+	+	+
3352	482205130008	0R00 JUMPER	+	+	+	+
3360	482211710354	22K 1% 0,1W	+	+	+	+
3361	482211712139	22R 5% 0,062W	+	+	+	+
3362	482211712708	39K 1% 0,1W 0805 RC12G	+	+	+	+
3363	482211712968	820R 5% 0,62W	+	+	+	+
3365	482205130101	100R00 5% 0,062W	+	+	+	+
3368	482205130479	47R00 5% 0,062W	+	+	+	+
3370	482205130561	560R00 5% 0,062W	+	+	+	+
3371	482205130152	1K50 5% 0,062W	+	+	+	+
3372	482205120122	1K20 5% 0,1W	+	+	+	+
3373	482211712903	1K8 1% 0.063W 0603	+	+	+	+
3374	482211713572	22R 5% 1206	+	+	+	+
3375	482205130222	2K20 5% 0,062W	+	+	+	+
3376	482205130221	220R00 5% 0,062W	+	+	+	+
3377	482205130479	47R00 5% 0,062W	+	+	+	+
3378	482205130273	27K00 5% 0,062W	+	+	+	+
3379	482205130183	18K00 5% 0,062W	+	+	+	+
3381	482205120008	0R00 JUMP. (0805)	+	+	+	+
3382	482211713573	NETW 4 X 47R 5% MNR14	+	+	+	+
3402	482211711503	220R 1% 0.1W	+	+	+	-
3403	482211712024	27K 1% 0.1W	+	+	+	-
3404	482211710833	10K 1% 0,1W	+	+	+	-
3405	482211712024	27K 1% 0.1W	+	+	+	-
3407	482205120101	100R00 5% 0,1W	+	+	+	-
3408	482211710833	10K 1% 0,1W	+	+	+	-
3409	482211712367	33K 1% 0.10W	+	+	+	-
3410	482211710833	10K 1% 0,1W	+	+	+	-
3411	482211711152	4R7 5%	+	+	+	-
3412	482211712024	27K 1% 0.1W	+	+	+	-
3413	482211710833	10K 1% 0,1W	+	+	+	-
3414	482211712024	27K 1% 0.1W	+	+	+	-
3415	482211710833	10K 1% 0,1W	+	+	+	-
3416	482211712367	33K 1% 0.10W	+	+	+	-
3418	482205120008	0R00 JUMP. (0805)	+	+	+	-
3420	482211710833	10K 1% 0,1W	+	+	+	-
3421	482211711383	12K 1% 0,1W	+	+	+	-
3422	482211710834	47K 1% 0,1W	+	+	+	-
3423	482211713629	120R 1% 0.1W RC12H 0805	+	-	+	-
3424	482205120225	2M20 5% 0,1W	+	-	+	-
3427	482211713629	120R 1% 0.1W RC12H 0805	+	-	+	-
3428	482205120225	2M20 5% 0,1W	+	-	+	-
3429	482211710834	47K 1% 0,1W	+	+	+	-
3432	482211710833	10K 1% 0,1W	+	+	+	-
3433	482205120008	0R00 JUMP. (0805)	+	+	+	-
3435	482211710833	10K 1% 0,1W	+	+	+	-
3436	482211711383	12K 1% 0,1W	+	+	+	-
3439	482211711152	4R7 5%	+	+	+	-
3441	482205120101	100R00 5% 0,1W	+	+	+	-
3447	482205120008	0R00 JUMP. (0805)	-	+	+	-
3448	482205120008	0R00 JUMP. (0805)	-	+	+	-
3449	482205120008	0R00 JUMP. (0805)	-	+	+	-
3450	319802153311	330R 5%	+	-	-	-
3451	482211711383	12K 1% 0,1W	+	+	+	-
3452	482211711383	12K 1% 0,1W	+	+	+	-
3453	482211713579	220K 1% 0.1W RC12H 0805	+	+	+	-
3454	482211713579	220K 1% 0.1W RC12H 0805	+	+	+	-
3455	319802190030	RST JUMPER 0603 0.05 OHM	+	+	+	-
3460	319802190030	RST JUMPER 0603 0.05 OHM	+	+	+	-
3531	482205120562	5K6 5% 0,1W 0805	+	+	+	+

ITEM	CODENUMBER	DESCRIPTION	CDR775	CDR570	CDR770	CDR950
3532	482205120562	5K6 5% 0,1W 0805	+	+	+	+
3533	482211710837	100K 1% 0,1W	+	+	+	+
3536	482211710837	100K 1% 0,1W	+	+	+	+
3537	482211710833	10K 1% 0,1W	+	+	+	+
3538	482211710833	10K 1% 0,1W	+	+	+	+
3539	482211710837	100K 1% 0,1W	+	+	+	+
3540	482211710833	10K 1% 0,1W	+	+	+	+
3541	482211711747	12R 1206 5% FUSE	+	+	+	+
3542	482211711747	12R 1206 5% FUSE	+	+	+	+
3544	482211710834	47K 1% 0,1W	+	+	+	+
3545	482211713568	6R8 5% 1206	+	+	+	+
3546	482205120101	100R00 5% 0,1W	+	+	+	+
3547	482211683933	15K 1% 0,1W	+	+	+	+
3548	482211710834	47K 1% 0,1W	+	+	+	+
3549	482205120101	100R00 5% 0,1W	+	+	+	+
3550	482205120101	100R00 5% 0,1W	+	+	+	+
3551	482205120332	3K30 5% 0,1W	+	+	+	+
3552	482211710834	47K 1% 0,1W	+	+	+	+
3553	482205120101	100R00 5% 0,1W	+	+	+	+
3554	482211710833	10K 1% 0,1W	+	+	+	+
3555	482205120122	1K20 5% 0,1W	+	+	+	+
3556	482211710833	10K 1% 0,1W	+	+	+	+
3557	482211710837	100K 1% 0,1W	+	+	+	+
3559	482205120562	5K6 5% 0,1W 0805	+	+	+	+
3560	482211710837	100K 1% 0,1W	+	+	+	+
3562	482205120562	5K6 5% 0,1W 0805	+	+	+	+
3563	482205130563	56K00 5% 0,062W	+	+	+	+
3566	482211710837	100K 1% 0,1W	+	+	+	+
3567	482205120223	22K00 5% 0,1W	+	+	+	+
3570	482205120101	100R00 5% 0,1W	+	+	+	+
3701	482205120101	100R00 5% 0,1W	+	+	+	+
3702	482205130472	4K70 5% 0,062W	+	+	+	+
3703	482205130472	4K70 5% 0,062W	+	+	+	+
3704	482205120008	0R00 JUMP. (0805)	+	+	+	+
3705	482205130223	22K00 5% 0,062W	+	+	+	+
3706	482205120479	47R00 5% 0,1W	+	+	+	+
3708	482205120479	47R00 5% 0,1W	+	+	+	+
3710	482205130101	100R00 5% 0,062W	+	+	+	+
3711	482211710833	10K 1% 0,1W	+	+	+	+
3712	482211710833	10K 1% 0,1W	+	+	+	+
3713	482205120479	47R00 5% 0,1W	+	+	+	+
3714	482205120479	47R00 5% 0,1W	+	+	+	+
3715	482205120479	47R00 5% 0,1W	+	+	+	+
3716	482211710833	10K 1% 0,1W	+	+	+	+
3717	482211710833	10K 1% 0,1W	-	+	+	+
3718	482211710833	10K 1% 0,1W	+	+	+	-
3719	482205130103	10K00 5% 0,062W	+	+	-	+
3720	482205130101	100R00 5% 0,062W	+	+	+	+
3721	482205130101	100R00 5% 0,062W	+	+	+	+
3722	482211710833	10K 1% 0,1W	+	-	-	-
3723	482211710833	10K 1% 0,1W	-	-	-	+
3724	482205130103	10K00 5% 0,062W	+	-	+	-
3725	482205130101	100R00 5% 0,062W	+	+	+	+
3726	482205130103	10K00 5% 0,062W	+	+	+	+
3727	482205120105	1M00 5% 0,1W	+	+	+	+
3728	482205130101	100R00 5% 0,062W	+	+	+	+
3729	482205130101	100R00 5% 0,062W	+	+	+	+
3731	482205130391	390R00 5% 0,062W	+	+	+	+
3732	482205130479	47R00 5% 0,062W	+	+	+	+
3735	482205120479	47R00 5% 0,1W	+	+	+	+
3742	482205130102	1K00 5% 0,062W	+	+	+	+

ITEM	CODENUMBER	DESCRIPTION	CDR775	CDR570	CDR770	CDR950
3743	482205130479	47R00 5% 0,062W	+	+	+	+
3744	482205120274	270K00 5% 0,1W	+	+	+	+
3745	482205120274	270K00 5% 0,1W	+	+	+	+
3746	482205130153	15K00 5% 0,062W	+	+	+	+
3747	482205130103	10K00 5% 0,062W	+	+	+	+
3748	482205130103	10K00 5% 0,062W	+	+	+	+
3749	482205130103	10K00 5% 0,062W	+	+	+	+
3750	482205130123	12K00 5% 0,062W	+	+	+	+
3751	482205120472	4K70 5% 0,1W	+	-	-	-
3752	482211710353	150R 1% 0,1W	+	+	+	+
3753	482205120472	4K70 5% 0,1W	+	-	-	-
3754	482205110102	1K00 2% 0,25W	+	+	+	+
3755	482211710353	150R 1% 0,1W	+	+	+	+
3756	482205130101	100R00 5% 0,062W	+	+	+	+
3757	482205120479	47R00 5% 0,1W	+	-	-	-
3758	482205120101	100R00 5% 0,1W	+	+	+	+
3759	482205110102	1K00 2% 0,25W	+	+	+	+
3760	482205120472	4K70 5% 0,1W	+	+	+	+
3761	482205130472	4K70 5% 0,062W	+	+	+	+
3762	482205130472	4K70 5% 0,062W	+	+	+	+
3763	482205130102	1K00 5% 0,062W	+	+	+	+
3764	482205120472	4K70 5% 0,1W	+	+	+	+
3766	482205130472	4K70 5% 0,062W	+	+	+	+
3767	482205130472	4K70 5% 0,062W	+	+	+	+
3768	482205120472	4K70 5% 0,1W	+	+	+	+
3769	482205130472	4K70 5% 0,062W	+	+	+	+
3770	482205120472	4K70 5% 0,1W	+	+	+	+
3771	482205130101	100R00 5% 0,062W	+	+	+	+
3780	482211710837	100K 1% 0,1W	+	+	+	+
3806	482205130103	10K00 5% 0,062W	+	+	+	+
3807	482205120008	0R00 JUMP. (0805)	+	+	+	+
3808	482211713573	NETW 4 X 47R 5% MNR14	+	+	+	+
3809	482211713573	NETW 4 X 47R 5% MNR14	+	+	+	+
3810	482205130472	4K70 5% 0,062W	+	+	+	+
3811	482205130103	10K00 5% 0,062W	+	+	+	+
3813	482205130101	100R00 5% 0,062W	+	+	+	+
3814	482205130479	47R00 5% 0,062W	+	+	+	+
3817	482205110102	1K00 2% 0,25W	+	+	+	+
3818	482211713573	NETW 4 X 47R 5% MNR14	+	+	+	+
3819	482211713573	NETW 4 X 47R 5% MNR14	+	+	+	+
3820	482211713573	NETW 4 X 47R 5% MNR14	+	+	+	+
3821	482211713573	NETW 4 X 47R 5% MNR14	+	+	+	+
3822	482211713573	NETW 4 X 47R 5% MNR14	+	+	+	+
3823	482211713573	NETW 4 X 47R 5% MNR14	+	+	+	+
3824	482211713573	NETW 4 X 47R 5% MNR14	+	+	+	+
3825	482211713573	NETW 4 X 47R 5% MNR14	+	+	+	+
3826	482205120101	100R00 5% 0,1W	+	+	+	+
3828	482205130479	47R00 5% 0,062W	+	-	-	-
3829	482205130479	47R00 5% 0,062W	+	-	-	-
3830	482205130479	47R00 5% 0,062W	+	-	-	-
3831	482205130479	47R00 5% 0,062W	+	-	-	-
3832	482205130479	47R00 5% 0,062W	+	-	-	-
3833	482205130479	47R00 5% 0,062W	+	-	-	-
3834	482205130479	47R00 5% 0,062W	+	-	-	-
3835	482205130479	47R00 5% 0,062W	+	-	-	-
3836	482205130479	47R00 5% 0,062W	+	-	-	-
3837	482211710833	10K 1% 0,1W	+	+	+	+
3838	482211710833	10K 1% 0,1W	+	+	+	+
3841	482205120101	100R00 5% 0,1W	+	+	+	+
3843	482211710833	10K 1% 0,1W	+	+	+	+
3844	482211710833	10K 1% 0,1W	+	+	+	+

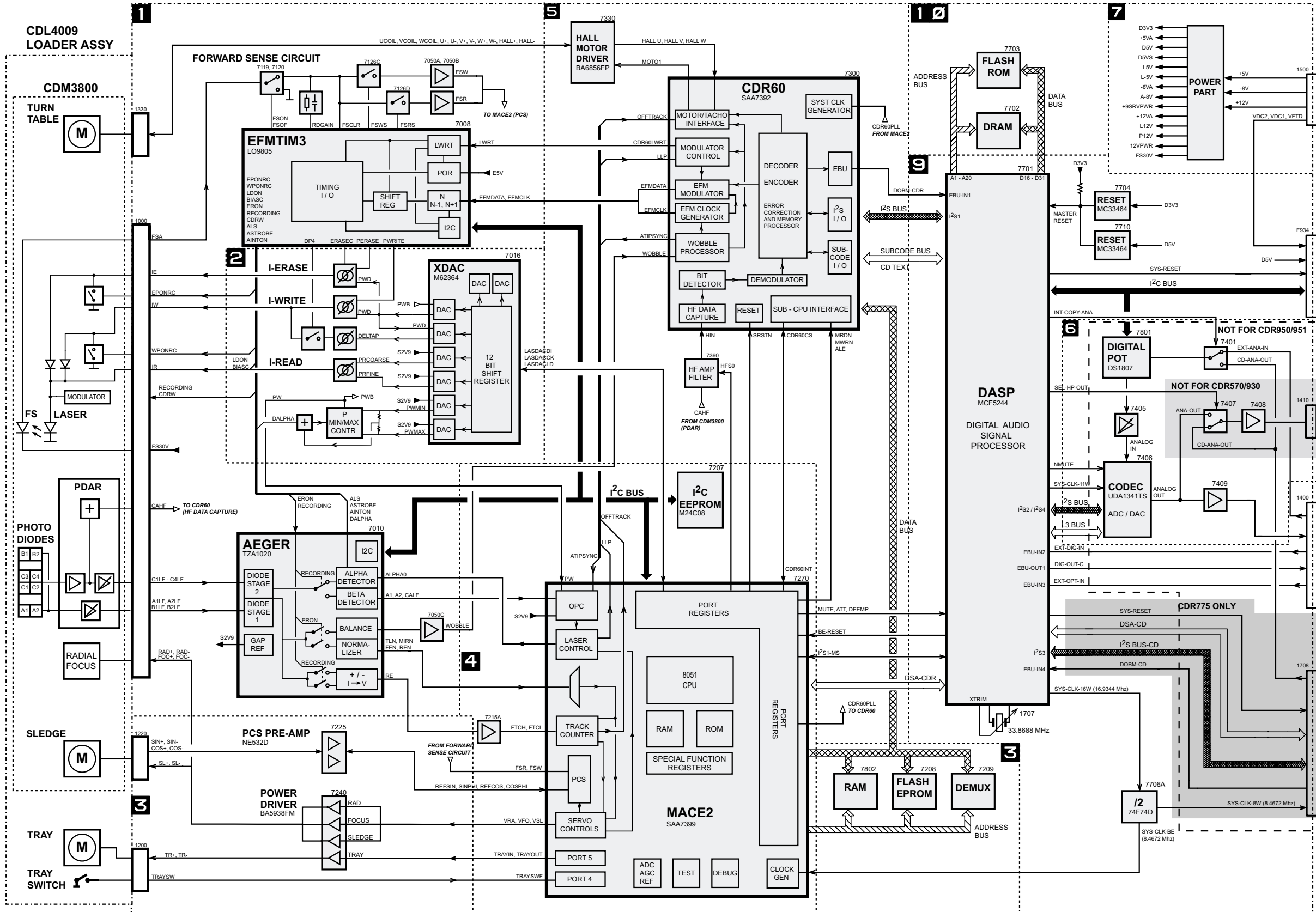
ITEM	CODENUMBER	DESCRIPTION	CDR775	CDR570	CDR770	CDR950
3845	482211710833	10K 1% 0,1W	+	+	+	+
3886	482205120008	0R00 JUMP. (0805)	-	+	+	-
3889	482211711151	1R 5%	+	+	+	+
3891	482211710833	10K 1% 0,1W	+	+	+	-
3892	482211710833	10K 1% 0,1W	+	+	+	-
3894	482211713573	NETW 4 X 47R 5% MNR14	+	+	+	+
3897	482211713573	NETW 4 X 47R 5% MNR14	+	+	+	+
3898	482211713573	NETW 4 X 47R 5% MNR14	+	+	+	+
3900	319802190030	RST JUMPER 0603 0.05 OHM	-	-	-	+
3902	319802190030	RST JUMPER 0603 0.05 OHM	-	-	-	+
3903	482205130008	0R00 JUMPER	+	+	+	+
3904	482205110102	1K00 2% 0,25W	-	+	-	+
3906	482205120472	4K70 5% 0,1W	+	+	+	+
3907	482205130472	4K70 5% 0,062W	+	+	+	+
3908	482205130102	1K00 5% 0,062W	+	+	+	+
3909	482205130472	4K70 5% 0,062W	+	+	+	+
3910	482205120472	4K70 5% 0,1W	+	+	+	+
3911	482205120472	4K70 5% 0,1W	+	+	+	+
5008	482215771206	BLM21A601SPT	+	+	+	+
5201	482215771206	BLM21A601SPT	+	+	+	+
5202	482215771206	BLM21A601SPT	+	+	+	+
5203	482215771206	BLM21A601SPT	+	+	+	+
5301	482215771206	BLM21A601SPT	+	+	+	+
5302	482215771206	BLM21A601SPT	+	+	+	+
5303	482215771206	BLM21A601SPT	+	+	+	+
5401	482215771206	BLM21A601SPT	+	+	+	-
5403	482215771206	BLM21A601SPT	+	+	+	-
5404	482215771206	BLM21A601SPT	+	+	+	-
5406	482215771206	BLM21A601SPT	+	+	+	-
5407	482215771206	BLM21A601SPT	+	+	+	-
5413	482215771206	BLM21A601SPT	+	+	+	-
5414	482215771206	BLM21A601SPT	+	+	+	-
5500	482215711716	BLM21P300SPT	+	+	+	+
5501	242254942103	IND FXD SM EMI 100MHZ 2K2 R	+	+	+	+
5502	242254942103	IND FXD SM EMI 100MHZ 2K2 R	+	+	+	+
5503	242254942103	IND FXD SM EMI 100MHZ 2K2 R	+	+	+	+
5541	242254942103	IND FXD SM EMI 100MHZ 2K2 R	+	+	+	+
5542	242254942103	IND FXD SM EMI 100MHZ 2K2 R	+	+	+	+
5543	482215711716	BLM21P300SPT	+	+	+	+
5544	482215711716	BLM21P300SPT	+	+	+	+
5546	482215771206	BLM21A601SPT	+	+	+	+
5551	482215771206	BLM21A601SPT	+	+	+	+
5554	482215710548	47UH 5%	+	+	+	+
5555	482215771206	BLM21A601SPT	+	+	+	+
5556	482215771206	BLM21A601SPT	+	+	+	+
5557	482215771206	BLM21A601SPT	+	+	+	+
5701	482215771206	BLM21A601SPT	+	+	+	+
5709	242254942103	IND FXD SM EMI 100MHZ 2K2 R	+	+	+	+
5710	482215710477	COIL 47UH	+	+	+	+
5712	482215771206	BLM21A601SPT	+	+	+	+
5713	482215771206	BLM21A601SPT	+	+	+	+
5715	482215771206	BLM21A601SPT	+	+	+	+
5716	482215771206	BLM21A601SPT	+	+	+	+
6002	532213030691	BAW56	+	+	+	+
6003	482213083757	BAS216	+	+	+	+
6007	532213034337	BAV99	+	+	+	+
6373	482213083757	BAS216	+	+	+	+
6374	482213083757	BAS216	+	+	+	+
6375	482213083757	BAS216	+	+	+	+
6400	482213010648	BZX284-C5V6	+	-	-	-
6500	532213083777	BAV70W	+	+	+	+

ITEM	CODENUMBER	DESCRIPTION	CDR775	CDR570	CDR770	CDR950
6501	532213034337	BAV99	+	+	+	+
6502	482213034441	BZX79-B22	+	+	+	+
6553	482213083757	BAS216	+	+	+	+
6554	532213034337	BAV99	+	+	+	+
6555	482213083757	BAS216	+	+	+	+
6556	482213083757	BAS216	+	+	+	+
6557	482213083757	BAS216	+	+	+	+
6701	934042250135	DIO VAR SM BB147 (PHSE) R	+	+	+	+
6702	934042250135	DIO VAR SM BB147 (PHSE) R	+	+	+	+
7001	482220963709	LM324DTR	+	+	+	+
7002	482220963709	LM324DTR	+	+	+	+
7005	482220990331	TL084CDT	+	+	+	+
7008	482220917223	EFM TIM3	+	+	+	+
7010	935261972518	IC SM TZA1020HP/M1 (PHSE) R	+	+	+	+
7016	482220917225	M62364FP	+	+	+	+
7050	482220990331	TL084CDT	+	+	+	+
7104	482213060373	BC856B	+	+	+	+
7110	482213060511	BC847B	+	+	+	+
7111	482213060511	BC847B	+	+	+	+
7112	482213042804	BC817-25	+	+	+	+
7113	482213060511	BC847B	+	+	+	+
7119	482213060383	BF824	+	+	+	+
7120	482213060383	BF824	+	+	+	+
7121	532213060123	BC807-40	+	+	+	+
7122	532213060123	BC807-40	+	+	+	+
7124	482213060511	BC847B	+	+	+	+
7126	933714420653	IC SM 74HC4066D	+	+	+	+
7127	482213060373	BC856B	+	+	+	+
7133	482213060511	BC847B	+	+	+	+
7135	532213060123	BC807-40	+	+	+	+
7201	482213060511	BC847B	+	+	+	+
7202	482213060511	BC847B	+	+	+	+
7207	932213040668	IC SM M24C16-WMN (ST00) R	+	+	+	+
7208	310412394850	FLASH EPROM ASSY CDR-AUDIO	+	+	+	+
7209	482220917227	MC74LCX573	+	+	+	+
7215	482220932073	MC34072D	+	+	+	+
7225	532220971553	NE532D	+	+	+	+
7240	482220917229	BA5938FM	+	+	+	+
7270	482220917231	SAA7399HL	+	+	+	+
7300	935263368557	IC SM SAA7392HL/M3 (PHSE) Y	+	+	+	+
7330	482220916877	BA6856FP	+	+	+	+
7355	933713370653	IC SM 74HCT00D (PHSE) R	+	+	+	+
7360	933715300118	IC SM 74HCT4051D (PHSE) R	+	+	+	+
7361	482213060511	BC847B	+	+	+	+
7370	482213060511	BC847B	+	+	+	+
7371	482213011527	BFS540	+	+	+	+
7373	482213011527	BFS540	+	+	+	+
7375	482213011527	BFS540	+	+	+	+
7401	482220960792	74HC4053D	+	-	-	-
7405	482220930095	LM833D	+	+	+	-
7406	935254530118	IC SM UDA1341TS/N1 (PHSE) R	+	+	+	-
7407	482220960792	74HC4053D	+	-	-	-
7408	482220982362	NJM4556D	+	-	+	-
7409	482220930095	LM833D	+	+	+	-
7410	482213042804	BC817-25	+	-	+	-
7411	482213042804	BC817-25	+	-	+	-
7520	820405604480	FET POW STD16NE06L	+	+	+	+
7521	482220932073	MC34072D	+	+	+	+
7522	482213060373	BC856B	+	+	+	+
7523	482213060511	BC847B	+	+	+	+
7524	482213060511	BC847B	+	+	+	+

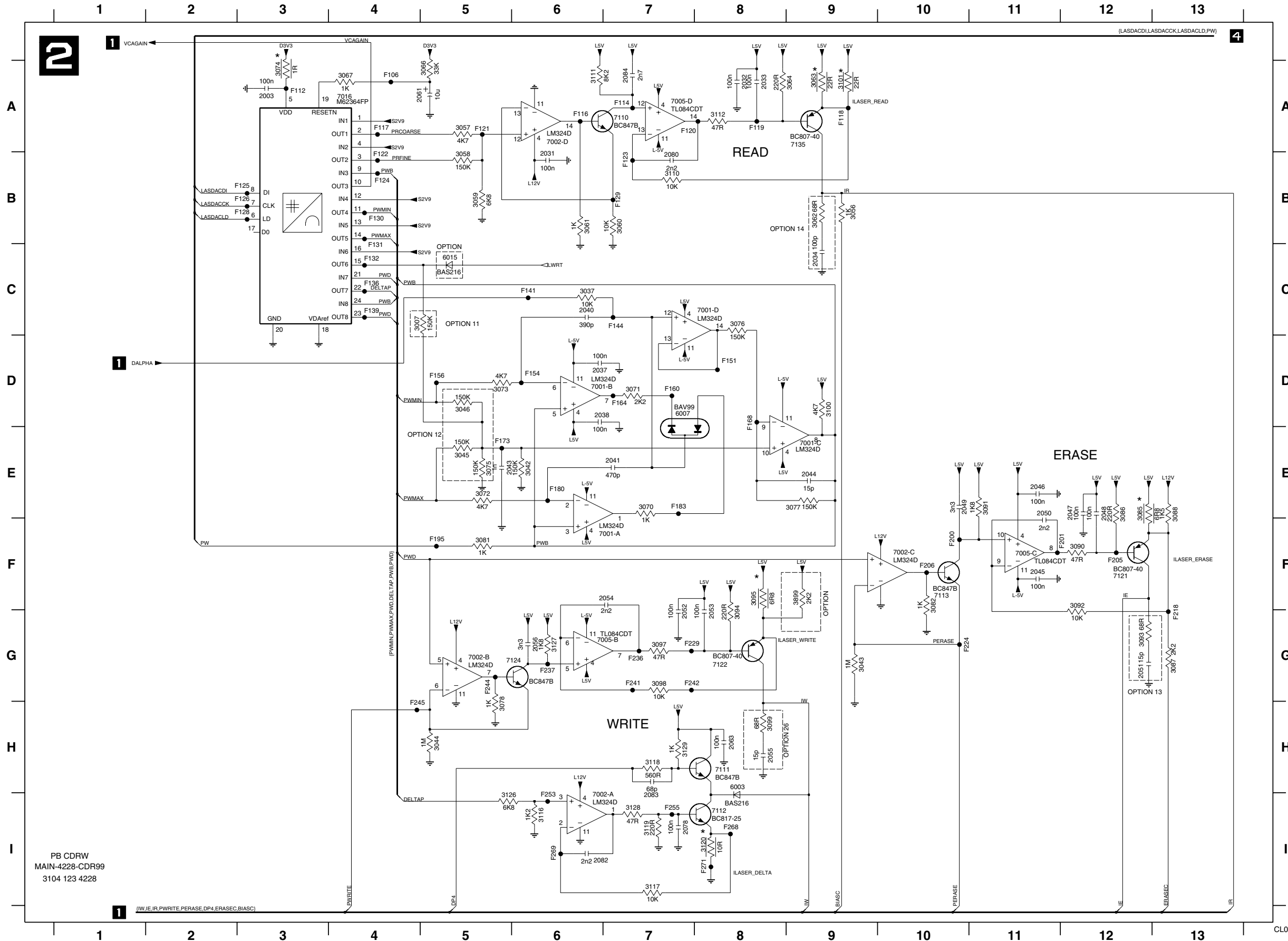
ITEM	CODENUMBER	DESCRIPTION	CDR775	CDR570	CDR770	CDR950
7525	482213060373	BC856B	+	+	+	+
7526	482213060511	BC847B	+	+	+	+
7527	482213011379	BCP69	+	+	+	+
7528	482213060511	BC847B	+	+	+	+
7529	482213060373	BC856B	+	+	+	+
7535	482220917398	LD1117DT33	+	+	+	+
7548	482213060511	BC847B	+	+	+	+
7549	482213060511	BC847B	+	+	+	+
7556	482220990332	MC79L05ABD	+	+	+	+
7558	482220915083	AN78M09	+	+	+	+
7560	482213060373	BC856B	+	+	+	+
7561	482213060373	BC856B	+	+	+	+
7562	482213060511	BC847B	+	+	+	+
7563	482213060511	BC847B	+	+	+	+
7701	820405603460	USER PROCESSOR DASP CF5244PU	+	+	+	+
7702	482220917375	GM71V18163CJ-6	+	+	+	+
7703	932213814668	IC SM AM29LV800BB-70REC (AMD)R	+	+	+	+
7704	482220916318	MC33464-30A	+	+	+	+
7705	482220932073	MC34072D	+	+	+	+
7706	482220917236	74LV74D	+	+	+	+
7707	482213060511	BC847B	+	-	-	-
7708	932214178668	IC SM 74LCX00M (ST00) R	+	+	+	+
7710	932213967685	IC SM MC33464N-45A (MOTA) R	+	+	+	+
7801	820405603520	LEVEL DIG POTMETER DS1807S-T/R	+	+	+	-
7802	820405603910	IC SM CY7C199-15ZC	+	+	+	+
7803	482213060511	BC847B	+	+	+	+
7804	482213060511	BC847B	+	+	+	+
PCINT-DASP	710408691110	PC-INTERFACE BOARD DASP	+	+	+	+
PCINT-MACE	710408683110	PC-INTERFACE BOARD MACE	+	+	+	+

6. Block diagrams

CDR MAIN BOARD BLOCK DIAGRAM



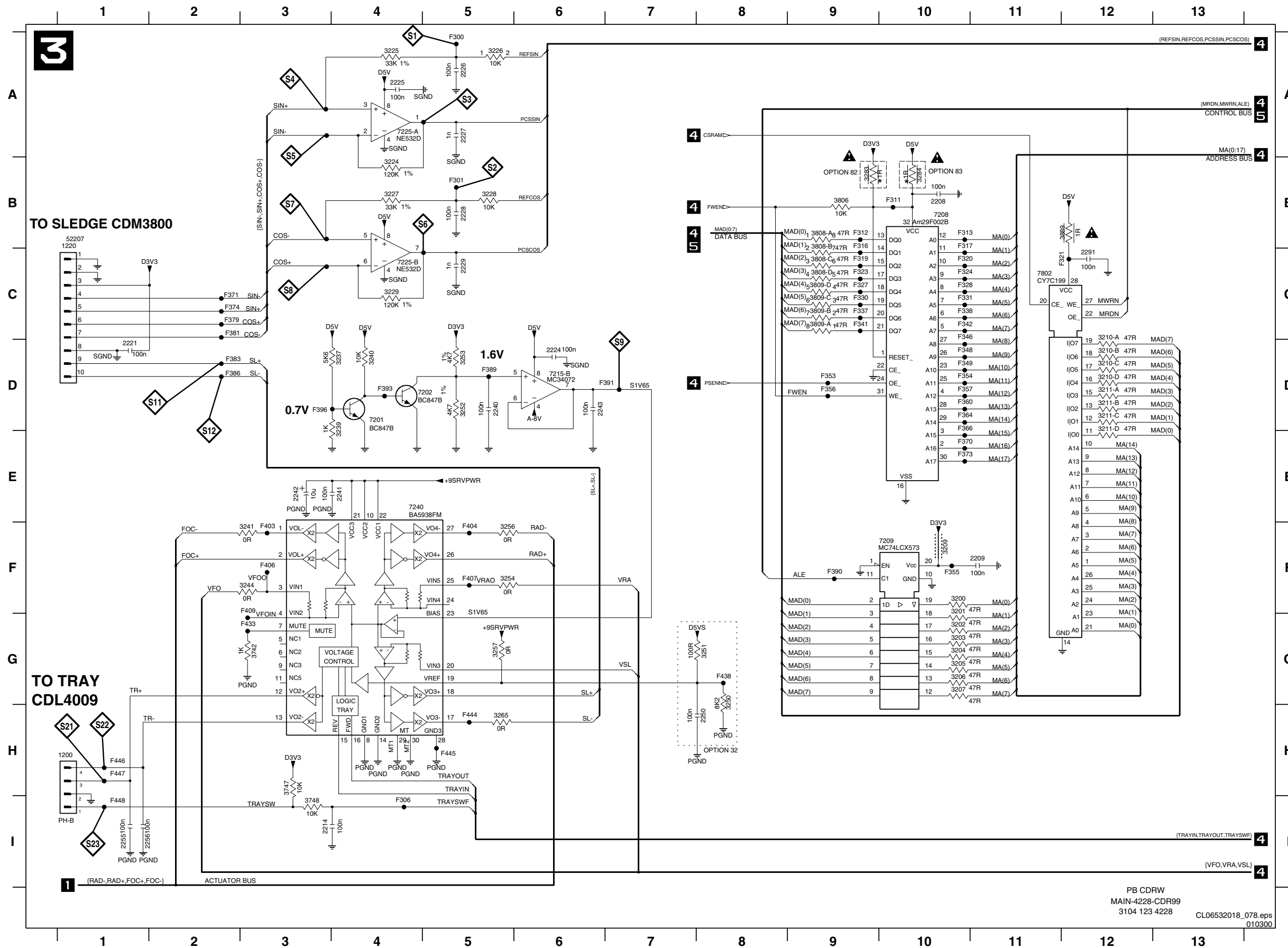
CDR MAIN BOARD - CIRCUIT DIAGRAM 2 : XDAC, LASER DRIVE CURRENT CIRCUITS



- 2003 A3
- 2031 B6
- 2032 A8
- 2033 A8
- 2034 C9
- 2037 D6
- 2038 D6
- 2040 C6
- 2041 E7
- 2043 E5
- 2044 E9
- 2045 F11
- 2046 E11
- 2047 E12
- 2048 E12
- 2049 E10
- 2050 E11
- 2051 G12
- 2052 G7
- 2053 G8
- 2054 F7
- 2055 H8
- 2056 G6
- 2061 A5
- 2063 H8
- 2078 I7
- 2080 B7
- 2082 I6
- 2083 I7
- 2084 A7
- 2087 C4
- 2087 C6
- 2042 E6
- 2043 G9
- 2044 H5
- 2045 E5
- 2046 D5
- 2056 B9
- 2057 A5
- 2058 B5
- 2059 B5
- 2060 B7
- 2061 B5
- 2062 B9
- 2063 A9
- 2064 A9
- 2065 A5
- 2070 E7
- 2071 D7
- 2072 E5
- 2073 D5
- 2074 A3
- 2075 E5
- 2076 C8
- 2077 E9
- 2078 H5
- 2081 F5
- 2082 F10
- 2085 E12
- 2086 E12
- 2087 G13
- 2088 E13
- 2090 F12
- 2091 E11
- 2092 F12
- 2093 G12
- 2094 G8
- 2095 F8
- 2097 G7
- 2098 G7
- 2099 H8
- 2100 D9
- 2101 A9
- 2110 B7
- 2111 A6
- 2112 A8
- 2116 I8
- 2117 I7
- 2118 H7
- 2119 I7
- 2120 I8
- 2126 I5
- 2127 G6
- 2128 I7
- 2129 H7
- 2130 F9
- 2131 H8
- 2132 H8
- 2133 F10
- 2121 F12
- 2122 G8
- 2124 G5
- 2135 A9
- 2136 A4
- 2112 A3
- 2114 A7
- 2116 A6
- 2117 A4
- 2118 A9
- 2119 A8
- 2120 A7
- 2121 A7
- 2122 A7
- 2123 A7
- 2124 A7
- 2125 A7
- 2126 A7
- 2127 A7
- 2128 A7
- 2129 A7
- 2130 A7
- 2131 A7
- 2132 A7
- 2133 A7
- 2134 A7
- 2135 A7
- 2136 A7
- 2137 A7
- 2138 A7
- 2139 A7
- 2140 A7
- 2141 A7
- 2142 A7
- 2143 A7
- 2144 A7
- 2145 A7
- 2146 A7
- 2147 A7
- 2148 A7
- 2149 A7
- 2150 A7
- 2151 A7
- 2152 A7
- 2153 A7
- 2154 A7
- 2155 A7
- 2156 A7
- 2157 A7
- 2158 A7
- 2159 A7
- 2160 A7
- 2161 A7
- 2162 A7
- 2163 A7
- 2164 A7
- 2165 A7
- 2166 A7
- 2167 A7
- 2168 A7
- 2169 A7
- 2170 A7
- 2171 A7
- 2172 A7
- 2173 A7
- 2174 A7
- 2175 A7
- 2176 A7
- 2177 A7
- 2178 A7
- 2179 A7
- 2180 A7
- 2181 A7
- 2182 A7
- 2183 A7
- 2184 A7
- 2185 A7
- 2186 A7
- 2187 A7
- 2188 A7
- 2189 A7
- 2190 A7
- 2191 A7
- 2192 A7
- 2193 A7
- 2194 A7
- 2195 A7
- 2196 A7
- 2197 A7
- 2198 A7
- 2199 A7
- 2200 A7
- 2201 A7
- 2202 A7
- 2203 A7
- 2204 A7
- 2205 A7
- 2206 A7
- 2207 A7
- 2208 A7
- 2209 A7
- 2210 A7
- 2211 A7
- 2212 A7
- 2213 A7
- 2214 A7
- 2215 A7
- 2216 A7
- 2217 A7
- 2218 A7
- 2219 A7
- 2220 A7
- 2221 A7
- 2222 A7
- 2223 A7
- 2224 A7
- 2225 A7
- 2226 A7
- 2227 A7
- 2228 A7
- 2229 A7
- 2230 A7
- 2231 A7
- 2232 A7
- 2233 A7
- 2234 A7
- 2235 A7
- 2236 A7
- 2237 A7
- 2238 A7
- 2239 A7
- 2240 A7
- 2241 A7
- 2242 A7
- 2243 A7
- 2244 A7
- 2245 A7
- 2246 A7
- 2247 A7
- 2248 A7
- 2249 A7
- 2250 A7
- 2251 A7
- 2252 A7
- 2253 A7
- 2254 A7
- 2255 A7
- 2256 A7
- 2257 A7
- 2258 A7
- 2259 A7
- 2260 A7
- 2261 A7
- 2262 A7
- 2263 A7
- 2264 A7
- 2265 A7
- 2266 A7
- 2267 A7
- 2268 A7
- 2269 A7
- 2270 A7
- 2271 A7
- 2272 A7
- 2273 A7
- 2274 A7
- 2275 A7
- 2276 A7
- 2277 A7
- 2278 A7
- 2279 A7
- 2280 A7
- 2281 A7
- 2282 A7
- 2283 A7
- 2284 A7
- 2285 A7
- 2286 A7
- 2287 A7
- 2288 A7
- 2289 A7
- 2290 A7
- 2291 A7
- 2292 A7
- 2293 A7
- 2294 A7
- 2295 A7
- 2296 A7
- 2297 A7
- 2298 A7
- 2299 A7
- 2300 A7

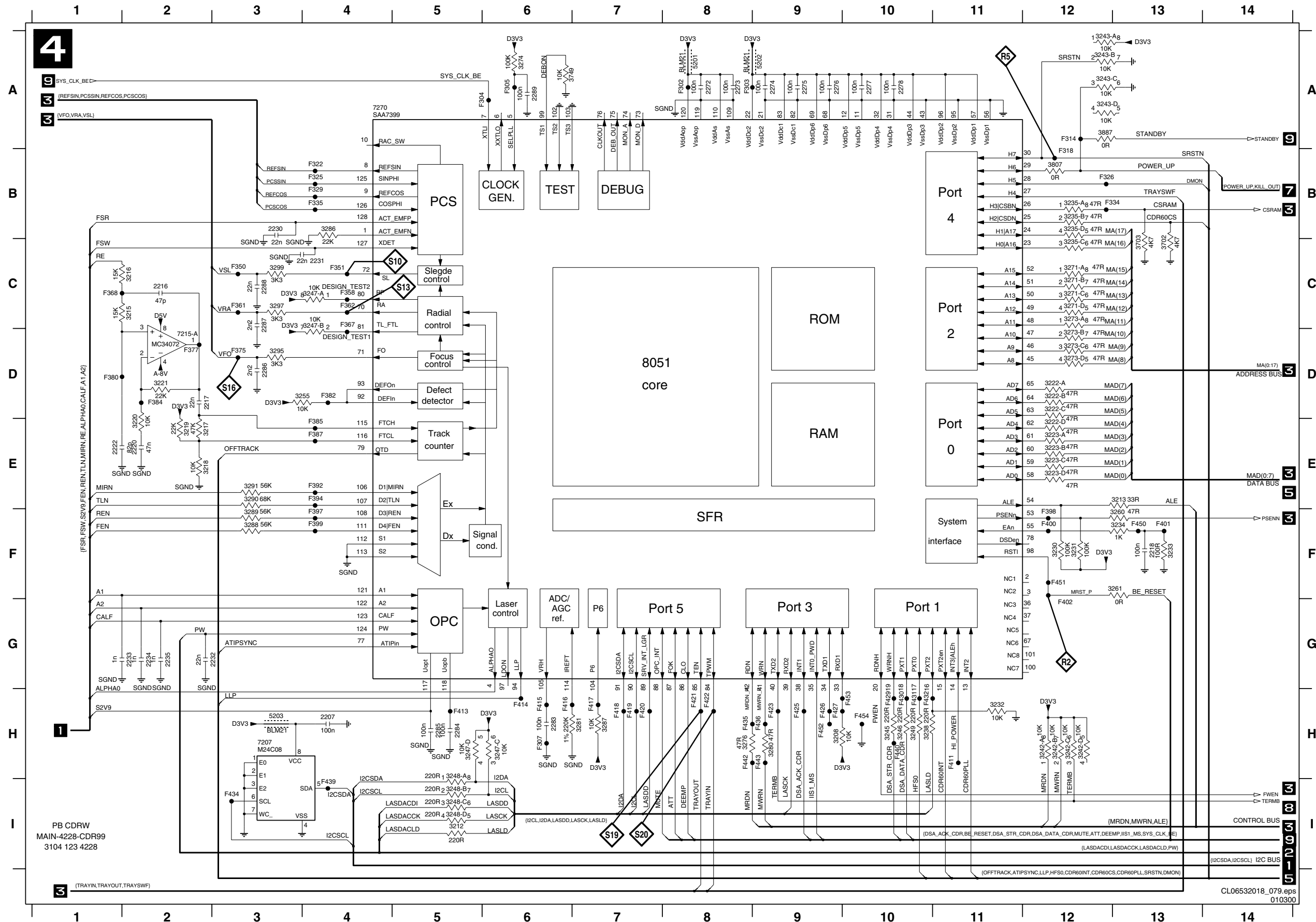
PB CDRW
MAIN-4228-CDR99
3104 123 4228

CDR MAIN BOARD - CIRCUIT DIAGRAM 3 : SERVO DRIVERS, MACE-RAM, -FLASH, -DEMUX TEST POINTS



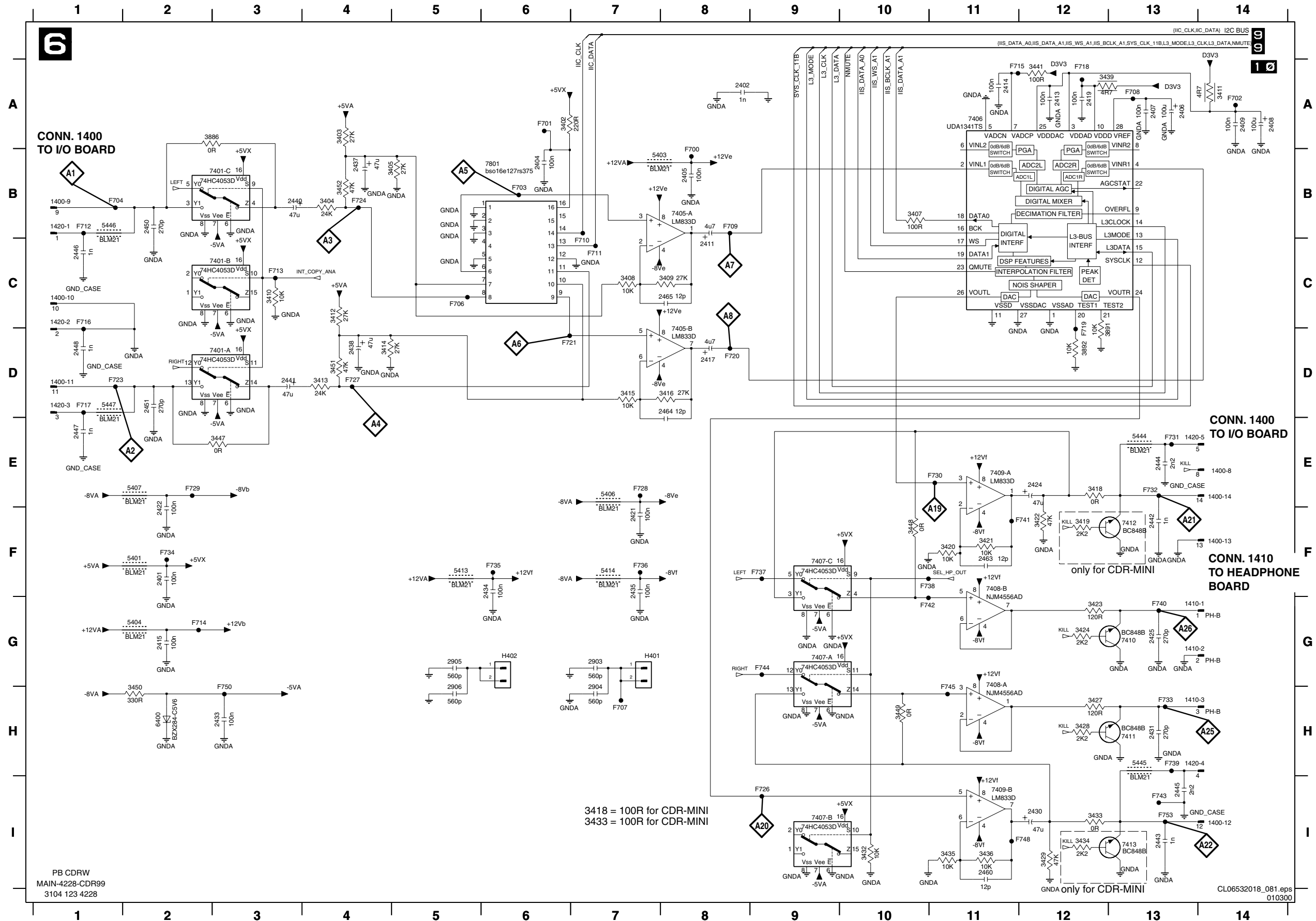
- 1200 H1
- 1220 B1
- 2208 B10
- 2209 F11
- 2214 I3
- 2221 D1
- 2224 C2
- 2225 A4
- 2226 A5
- 2227 A5
- 2228 B5
- 2229 C5
- 2240 D5
- 2241 E4
- 2242 E3
- 2243 D6
- 2250 H6
- 2255 I1
- 2256 I1
- 2291 C12
- 3200 F10
- 3201 G10
- 3202 G10
- 3203 G10
- 3204 G10
- 3205 G10
- 3206 G10
- 3207 G10
- 3209 F10
- 3210-A D12
- 3210-B D12
- 3210-C D12
- 3210-D D12
- 3211-A D12
- 3211-B D12
- 3211-C D12
- 3211-D E12
- 3224 B4
- 3225 A4
- 3226 A5
- 3227 B4
- 3228 B5
- 3229 C4
- 3237 D4
- 3239 D4
- 3240 D4
- 3241 F3
- 3244 F3
- 3250 G8
- 3251 G8
- 3252 D5
- 3253 D5
- 3254 F5
- 3256 F5
- 3257 G5
- 3265 H5
- 3283 B9
- 3284 B10
- 3742 G3
- 3747 H5
- 3748 I3
- 3806 B9
- 3808-A B9
- 3808-B C9
- 3808-C C9
- 3808-D C9
- 3809-A C9
- 3809-B C9
- 3809-C C9
- 3809-D C9
- 3889 B12
- 7201 D4
- 7202 D4
- 7208 B10
- 7209 F10
- 7215-B D6
- 7225-A A4
- 7225-B C4
- 7240 E4
- 7802 C11
- F300 A5
- F301 B5
- F306 H4
- F311 B10
- F312 B9
- F313 B10
- F316 B9
- F317 B10
- F319 C9
- F320 C10
- F321 C12
- F323 C9
- F324 C10
- F327 C9
- F328 C10
- F330 C9
- F331 C10
- F337 C9
- F338 C10
- F341 C9
- F342 C10
- F346 C10
- F348 D10
- F349 D10
- F353 D9
- F354 D10
- F355 F10
- F356 D9
- F357 D10
- F360 D10
- F364 D10
- F366 D10
- F370 E10
- F371 C2
- F373 E10
- F374 C2
- F379 C2
- F381 C2
- F383 D2
- F386 D2
- F389 D5
- F390 F9
- F391 D7
- F393 D4
- F396 D3
- F403 F3
- F404 F5
- F406 F3
- F407 F5
- F409 F3
- F433 G3
- F438 G3
- F445 H5
- F446 H1
- F447 H1
- F448 I1

CDR MAIN BOARD - CIRCUIT DIAGRAM 4 : MACE BE-PROCESSOR TESTPOINTS



2207 H4	F325 B4
2216 C2	F326 B12
2217 D2	F329 B4
2218 G12	F334 B12
2220 E2	F335 B4
2222 E1	F350 C3
2230 B3	F351 C4
2231 C4	F358 C4
2232 G2	F361 C3
2233 G2	F362 C4
2234 G2	F367 C4
2235 G2	F368 C1
2272 A8	F375 D3
2273 A8	F377 D2
2274 A9	F380 D1
2275 A9	F382 D4
2276 A9	F384 D2
2277 A10	F385 E4
2278 A10	F387 E4
2283 H6	F392 E4
2284 H5	F394 E4
2285 H5	F397 F4
2286 D3	F398 F12
2287 C3	F399 F4
2288 C3	F400 F12
2289 A6	F401 G12
3208 H9	F402 F12
3212 I5	F411 H11
3213 E12	F413 H5
3215 C2	F414 H6
3216 C2	F415 H6
3217 E2	F416 H6
3218 E2	F417 H7
3219 E2	F418 H7
3220 E2	F419 H7
3221 D2	F420 H7
3222-A D12	F421 H8
3222-B D12	F422 H8
3222-C D12	F423 H9
3222-D D12	F425 H9
3223-A E12	F426 H9
3223-B E12	F427 H9
3223-C E12	F429 H10
3223-D E12	F430 H10
3230 G12	F431 H10
3231 G12	F432 H10
3232 H11	F434 I3
3233 G12	F435 H8
3234 G12	F436 H9
3235-A B12	F438 I4
3235-B B12	F440 H10
3235-C C12	F442 H8
3235-D B12	F443 H9
3238 H10	
3240-A H12	
3242-B H12	
3242-C H12	
3242-D H12	
3243-A A12	
3243-B A12	
3243-C A12	
3243-D A12	
3245 H10	
3246 H10	
3247-A C4	
3247-B C4	
3247-C H6	
3247-D H5	
3248-A H5	
3248-B I5	
3248-C I5	
3248-D I5	
3249 H10	
3255 D4	
3260 F12	
3261 F13	
3271-A C12	
3271-B C12	
3271-C C12	
3271-D C12	
3273-A C12	
3273-B D12	
3273-C D12	
3273-D D12	
3274 A6	
3276 H8	
3280 H9	
3281 H7	
3286 B4	
3287 H7	
3288 F3	
3289 E3	
3290 E3	
3291 E3	
3295 D3	
3297 C3	
3299 C3	
3702 C13	
3703 C13	
3749 A6	
3807 B12	
3887 A12	
5201 A8	
5202 A9	
5203 H3	
7207 H3	
7215-A D2	
7270 A4	
F302 A8	
F303 A8	
F304 A6	
F307 H6	
F314 A12	
F318 B12	
F322 B4	

CDR MAIN BOARD - CIRCUIT DIAGRAM 6 : AUDIO PART (NOT FOR CDR950/951)

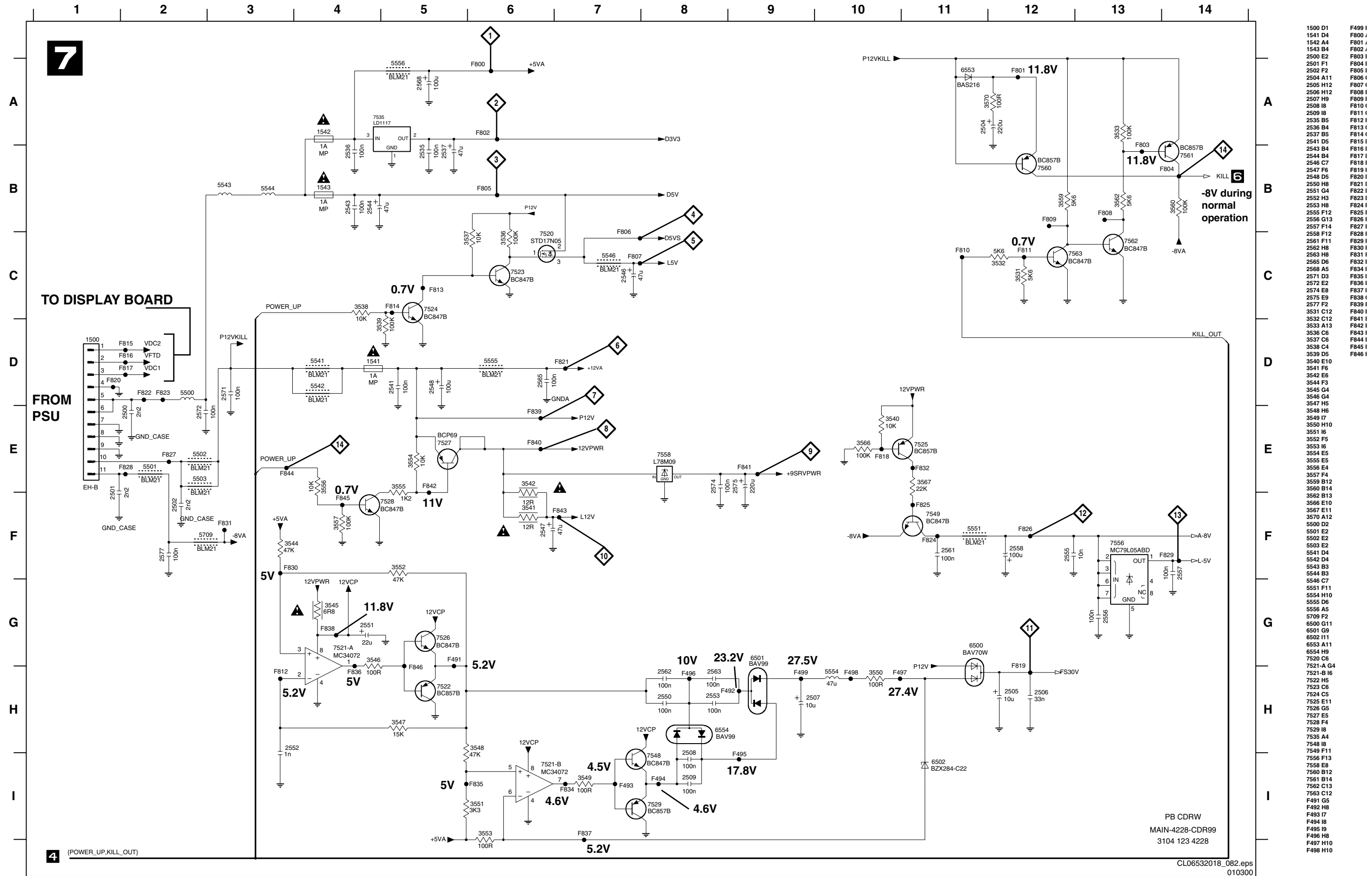


- 1400-10 C1
- 1400-11 D1
- 1400-12 H4
- 1400-13 F14
- 1400-14 E14
- 1400-8 E14
- 1400-9 B1
- 1410-1 G14
- 1410-2 G14
- 1410-3 H14
- 1420-1 B1
- 1420-2 C1
- 1420-3 D1
- 1420-4 H14
- 1420-5 E14
- 2401 F2
- 2402 A8
- 2404 B6
- 2405 B8
- 2406 A13
- 2407 A13
- 2408 A14
- 2409 A14
- 2411 C8
- 2411 A12
- 2414 A11
- 2415 G2
- 2417 D8
- 2419 A12
- 2421 F7
- 2422 F2
- 2424 E12
- 2425 G13
- 2430 H2
- 2431 H13
- 2433 H3
- 2434 F6
- 2435 F7
- 2437 B4
- 2438 D4
- 2440 B3
- 2441 D3
- 2442 F3
- 2443 H3
- 2444 E13
- 2445 H3
- 2446 C1
- 2447 E1
- 2448 D1
- 2450 B2
- 2451 D2
- 2450 H11
- 2463 F11
- 2464 D8
- 2465 C8
- 2903 G7
- 2904 H7
- 2905 G5
- 2906 H5
- 3402 A6
- 3403 A4
- 3404 B4
- 3405 B5
- 3407 B10
- 3408 C7
- 3409 C8
- 3410 C3
- 3411 A14
- 3412 C4
- 3413 D4
- 3414 D4
- 3415 D7
- 3416 D8
- 3418 E12
- 3419 F12
- 3420 F11
- 3421 F11
- 3422 F12
- 3423 G12
- 3424 G12
- 3427 H12
- 3428 H12
- 3429 H12
- 3432 I10
- 3433 I12
- 3434 H12
- 3435 H11
- 3436 H11
- 3439 A12
- 3441 A12
- 3442 E3
- 3448 F10
- 3449 H10
- 3450 H2
- 3451 D4
- 3452 B4
- 3886 A2
- 3891 D12
- 3892 D12
- 5401 F2
- 5403 B7
- 5404 G2
- 5406 E7
- 5407 E2
- 5413 F5
- 5414 F7
- 5444 E13
- 5445 H13
- 5446 B1
- 5447 D1
- 6400 H2
- 7401-A D3
- 7401-B C3
- 7401-C B3
- 7405-A B8
- 7405-B D8
- 7406 A11
- 7407-A G9
- 7407-B B9
- 7407-C F9
- 7408-A H11
- 7408-B F11
- 7409-A E11
- 7409-B H11
- 7410 B1
- 7410 G13
- 7411 H13
- 7412 F13
- 7413 H3
- 7413 H3
- 7801 B6
- F700 B8
- F701 A6
- F702 A14
- F703 B6
- F704 B1
- F705 C5
- F707 H7
- F708 A13
- F708 B8
- F710 B7
- F711 C7
- F712 B1
- F713 C3
- F714 G2
- F715 A11
- F716 C1
- F717 D1
- F718 A12
- F718 D12
- F720 D8
- F721 D6
- F723 D1
- F724 B4
- F725 B9
- F727 D4
- F728 E7
- F729 E2
- F730 E11
- F731 E13
- F732 E13
- F733 H13
- F734 F2
- F735 F6
- F736 F7
- F737 F9
- F738 F10
- F739 H13
- F740 G13
- F741 F12
- F742 G10
- F743 I13
- F744 G9
- F745 H11
- F746 G7
- F750 H3
- F753 I13
- H401 G7
- H402 G6

PB CDRW
 MAIN-4228-CDR99
 3104 123 4228

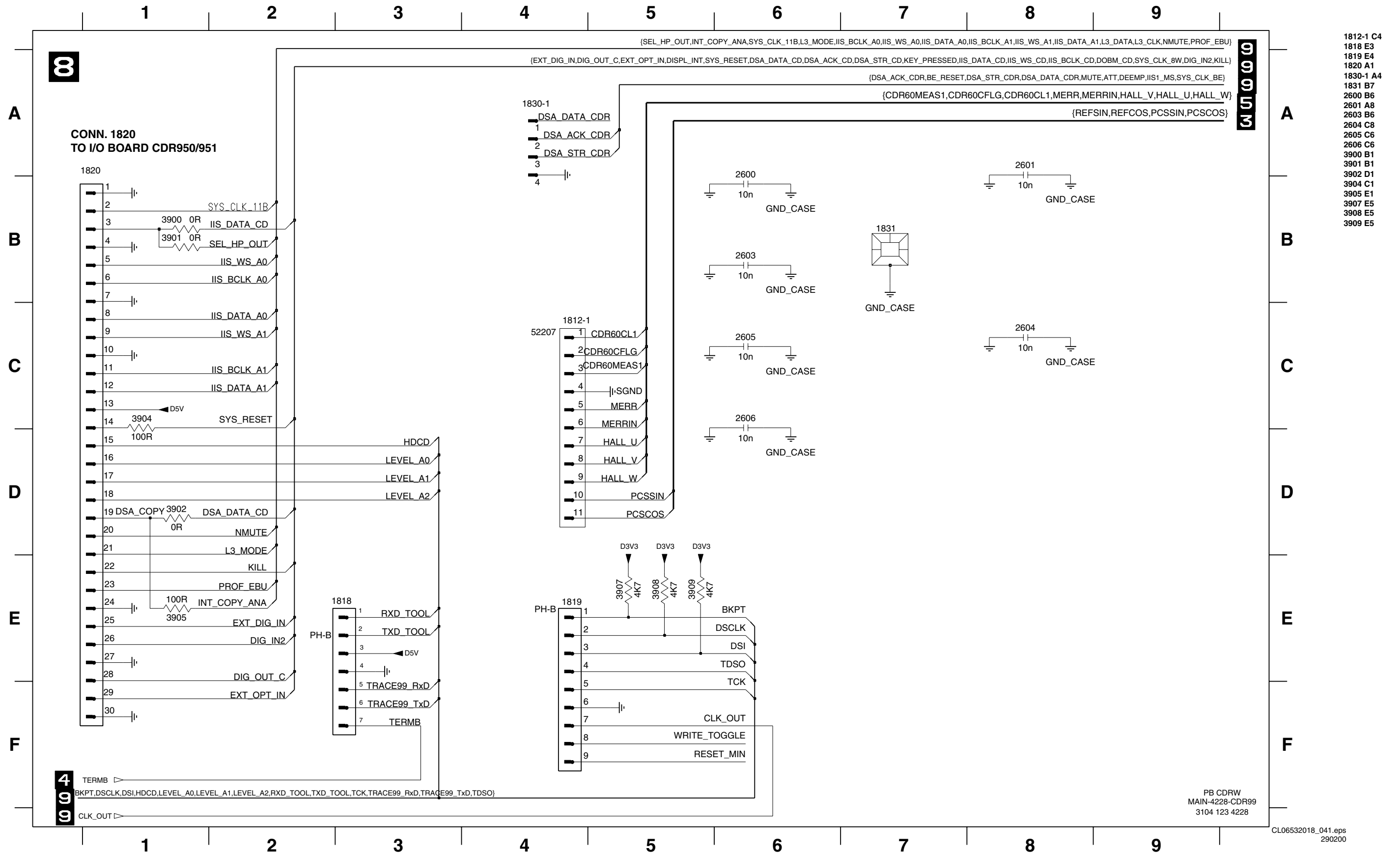
CL06532018_081.eps
 010300

CDR MAIN BOARD - CIRCUIT DIAGRAM 7 : POWER PART TESTPOINTS

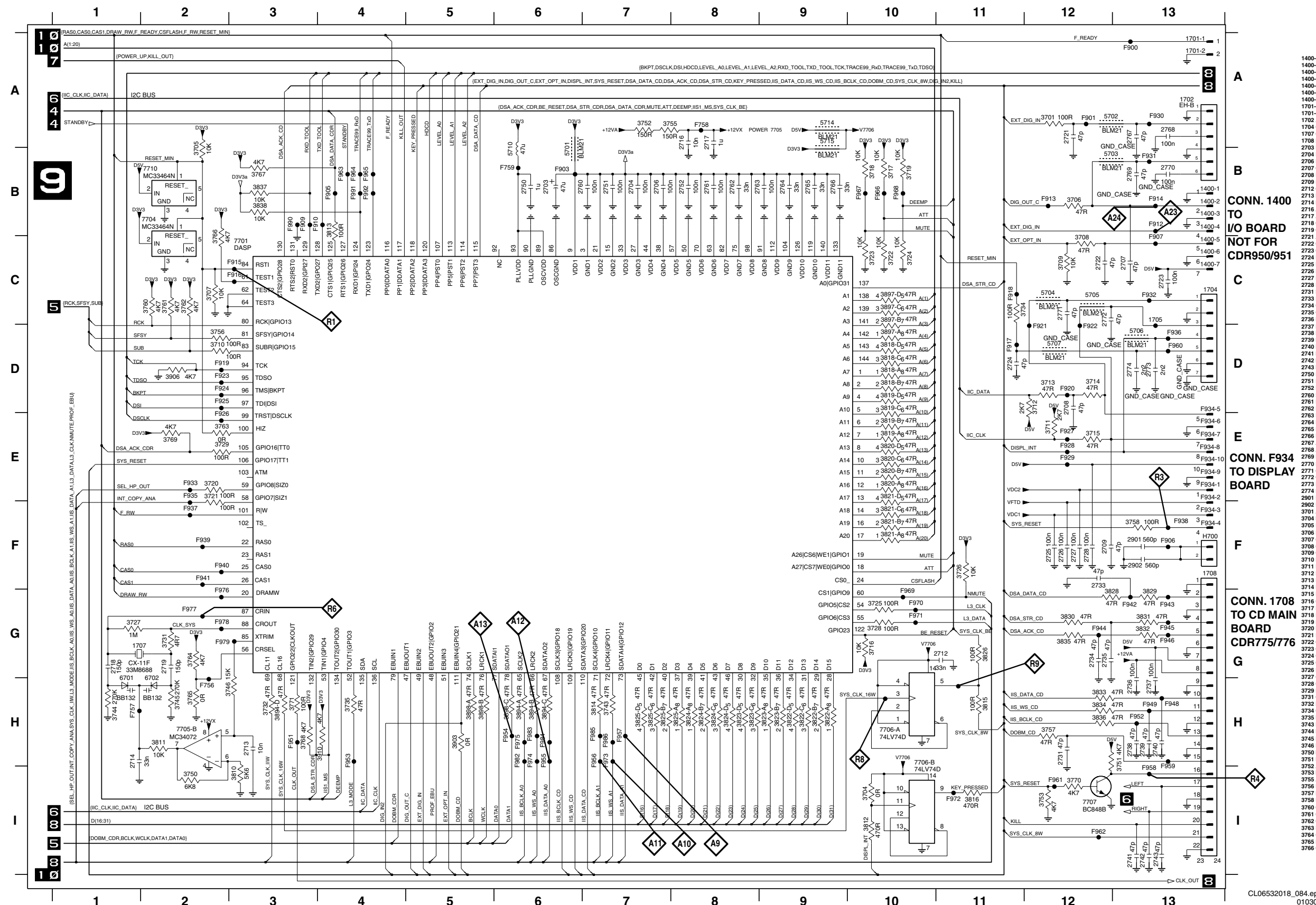


- F499 I
- F800 J
- F801 J
- F802 J
- F803 I
- F804 I
- F805 I
- F806 I
- F807 I
- F808 I
- F809 I
- F810 C
- F811 C
- F812 I
- F813 I
- F814 I
- F815 I
- F816 I
- F817 I
- F818 I
- F819 I
- F820 I
- F821 I
- F822 I
- F823 I
- F824 I
- F825 I
- F826 I
- F827 I
- F828 I
- F829 I
- F830 I
- F831 I
- F832 I
- F834 I
- F835 I
- F836 I
- F837 I
- F838 I
- F839 I
- F840 I
- F841 I
- F842 I
- F843 I
- F844 I
- F845 I
- F846 I
- F499 I
- F800 J
- F801 J
- F802 J
- F803 I
- F804 I
- F805 I
- F806 I
- F807 I
- F808 I
- F809 I
- F810 C
- F811 C
- F812 I
- F813 I
- F814 I
- F815 I
- F816 I
- F817 I
- F818 I
- F819 I
- F820 I
- F821 I
- F822 I
- F823 I
- F824 I
- F825 I
- F826 I
- F827 I
- F828 I
- F829 I
- F830 I
- F831 I
- F832 I
- F834 I
- F835 I
- F836 I
- F837 I
- F838 I
- F839 I
- F840 I
- F841 I
- F842 I
- F843 I
- F844 I
- F845 I
- F846 I

CDR MAIN BOARD - CIRCUIT DIAGRAM 8 : TEST & CONNECTOR PART



CDR MAIN BOARD - CIRCUIT DIAGRAM 9 : DASP MASTER PROCESSOR TESTPOINTS



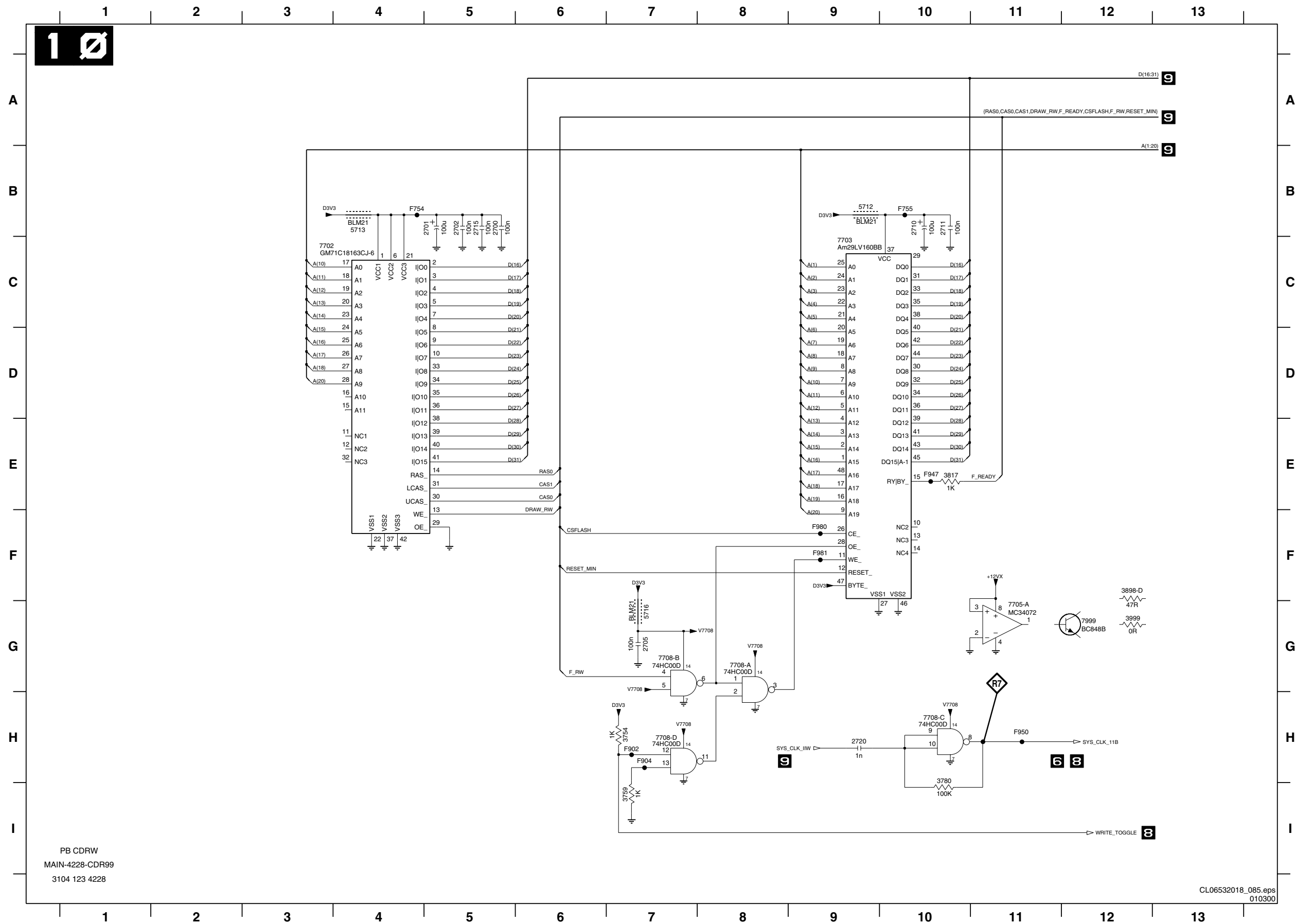
1400-1 B13	3767 B3
1400-2 B13	3768 H3
1400-3 B13	3769 E2
1400-4 B13	3770 H2
1400-5 C13	3771 H3
1400-6 C13	3810 I3
1400-7 C13	3811 H2
1701-1 A13	3812 H0
1701-2 A13	3813 B4
1702 A13	3814 H7
1704 C13	3815 H11
1707 G1	3816 H1
1708 F13	3816-A D10
2703 B6	3816-B D10
2704 B7	3816-C D10
2706 B7	3816-D D10
2707 C13	3819-A E10
2708 D12	3819-B E10
2709 F12	3819-C D10
2712 G11	3819-D D10
2713 H3	3820-A E10
2714 H1	3820-B E10
2716 A8	3820-C E10
2717 A8	3820-D E10
2718 G1	3821-A F10
2719 G2	3821-B F10
2721 A12	3821-C F10
2722 C12	3821-D E10
2723 C13	3822-A H9
2724 D11	3822-B H9
2725 F12	3822-C H9
2726 F12	3822-D H9
2727 F12	3823-A H9
2728 F12	3823-B H9
2729 H12	3823-C H8
2730 F12	3823-D H8
2731 H12	3824-A H8
2732 H12	3824-B H8
2733 F12	3824-C H8
2734 G12	3824-D H8
2735 G12	3824-E H8
2736 H12	3824-F H8
2737 H13	3824-G H8
2738 H13	3825-A H8
2739 H13	3825-B H7
2740 H13	3825-C H7
2741 H13	3825-D H7
2742 H13	3826 G11
2743 H13	3826 H13
2744 D11	3826 G13
2745 B7	3830 G12
2752 B8	3831 G13
2760 B7	3832 G13
2761 B8	3833 H12
2762 B8	3834 H12
2763 B9	3835 G12
2764 B9	3836 H12
2765 B9	3837 B3
2766 B9	3838 B3
2767 A13	3894-A H6
2768 A13	3894-B H6
2769 B13	3894-C H6
2770 B13	3894-D H3
2771 C12	3897-A D10
2772 C12	3897-B C10
2773 D13	3897-C C10
2774 D11	3897-D C10
2901 F13	3898-A H5
2902 F13	3898-B H5
3704 A12	3898-C H6
3704 H0	3903 H5
3705 B2	3906 D2
3706 B12	3910 H4
3707 C2	5701 B6
3708 C12	5702 A12
3709 C12	5703 B12
3710 D2	5704 C12
3711 E12	5705 C12
3712 D12	5706 D13
3713 D12	5707 D12
3714 D12	5710 B6
3715 E12	5714 A9
3716 G10	5715 A9
3717 H10	6701 H1
3718 B10	6702 H2
3719 B10	7701 C3
3720 E2	7704 B2
3721 E2	7705-B H2
3722 C10	7706-A H10
3723 C10	7706-B H10
3724 G10	7707 H2
3725 G10	7710 B2
3726 F11	F934-1 E13
3727 G10	F934-2 E13
3728 G10	F934-3 E13
3729 E2	F934-4 F13
3731 C2	F934-5 D13
3732 H3	F934-6 E13
3734 C11	F934-7 E13
3735 H4	F934-8 E13
3743 H7	F934-9 E13
3744 H1	F934-9 E13
3745 H2	H700 F13
3746 H3	
3750 I2	
3751 H13	
3752 A7	
3753 H2	
3755 A7	
3756 D2	
3757 H12	
3758 F13	
3760 C2	
3761 C2	
3762 C2	
3763 E2	
3764 G2	
3765 H2	
3766 C2	

CONN. 1400 TO I/O BOARD NOT FOR CDR950/951

CONN. F934 TO DISPLAY BOARD

CONN. 1708 TO CD MAIN BOARD CDR775/776

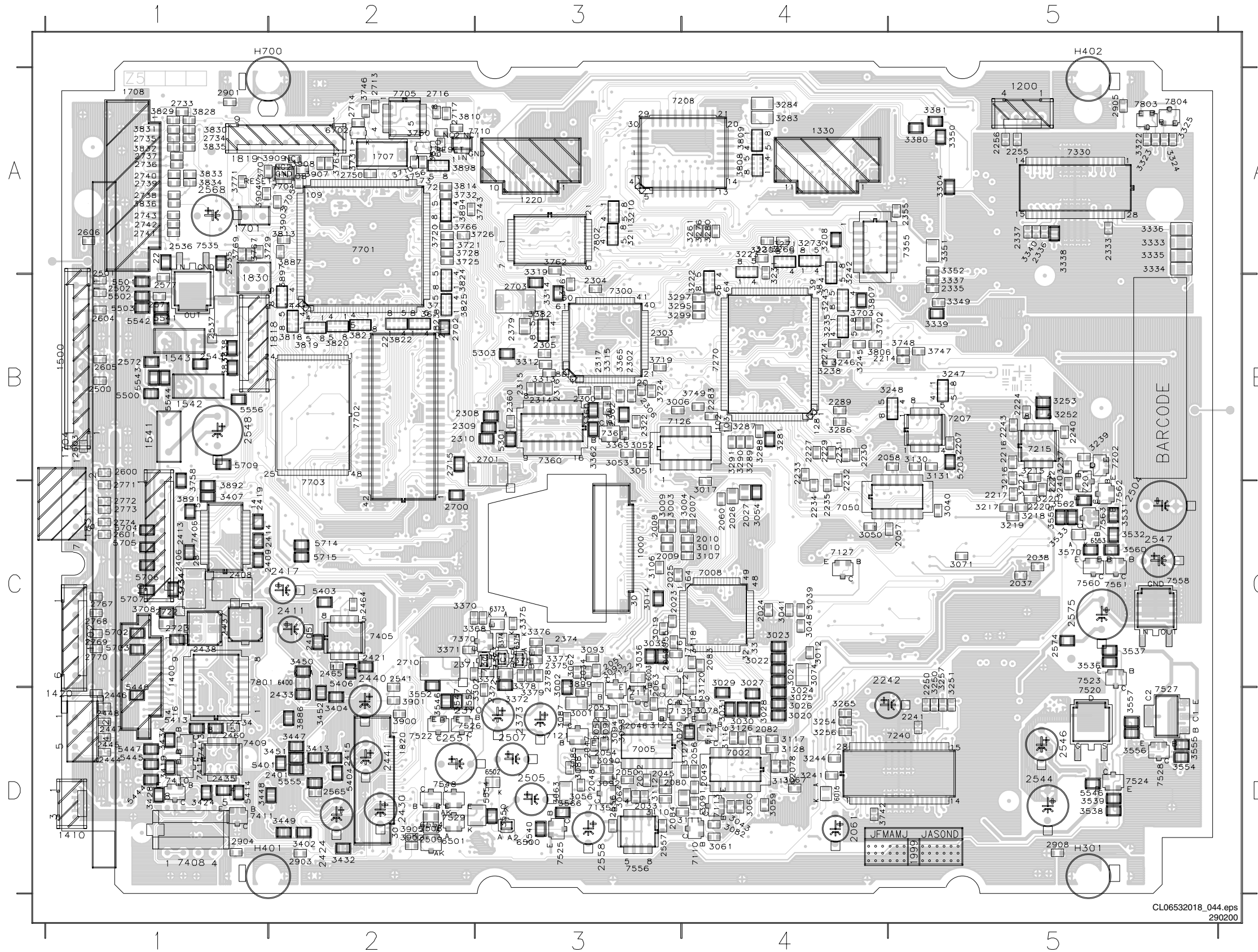
CDR MAIN BOARD - CIRCUIT DIAGRAM 10 : DASP FLASH & DRAM TESTPOINTS



- 2700 B5
- 2701 B5
- 2702 B5
- 2705 G7
- 2710 B10
- 2711 B10
- 2715 B5
- 2720 H9
- 3754 H7
- 3759 I7
- 3780 I10
- 3817 E10
- 3898-D F12
- 3999 G12
- 5712 B9
- 5713 B4
- 5716 G7
- 7702 C3
- 7703 C9
- 7705-A G11
- 7708-A G8
- 7708-B G7
- 7708-C H10
- 7708-D H7
- 7999 G12
- F754 B4
- F755 B10
- F902 H7
- F904 H7
- F947 E10
- F950 H11
- F980 F9
- F981 F9

PB CDRW
MAIN-4228-CDR99
3104 123 4228

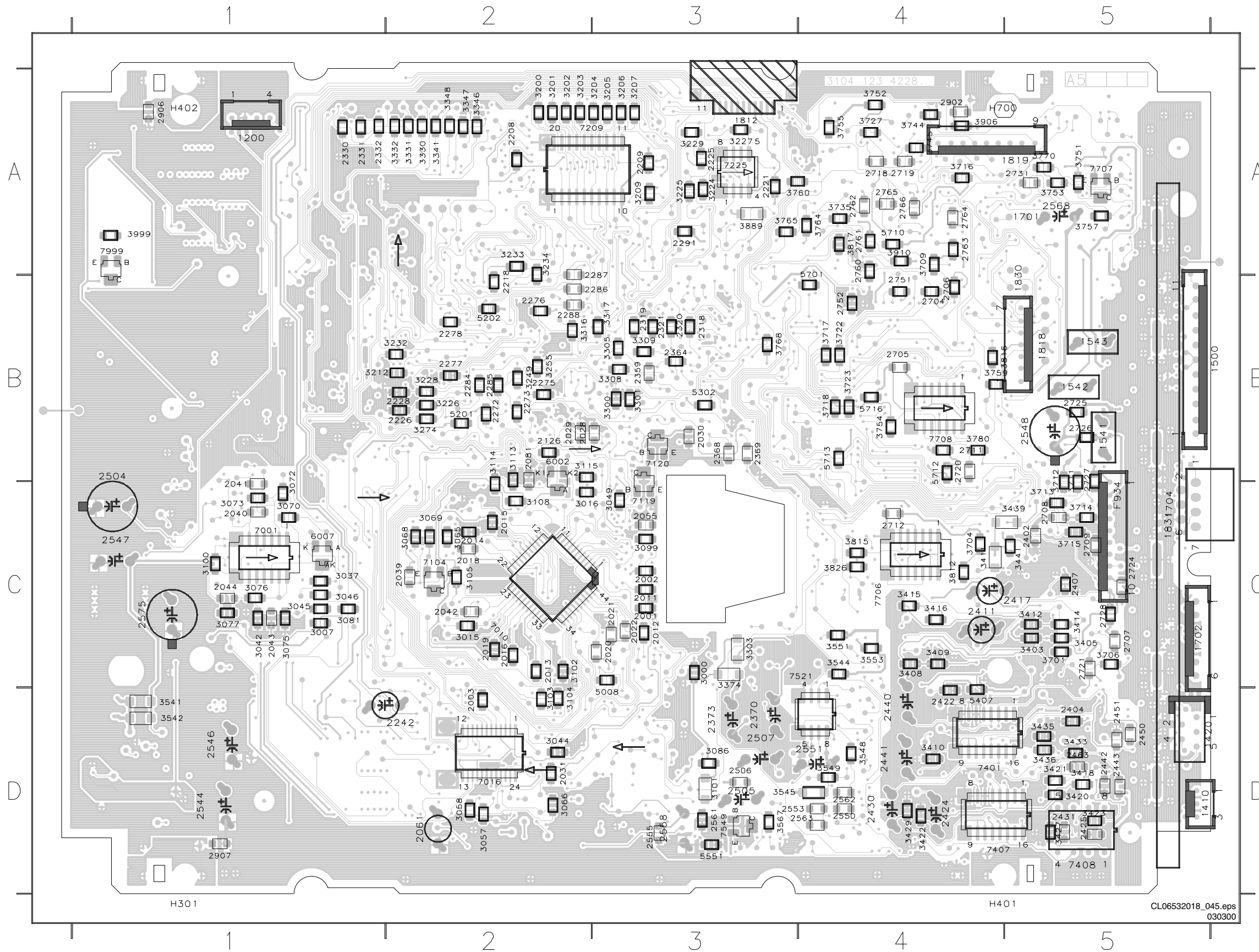
CDR MAIN BOARD - TOP VIEW



CL06532018_044.eps
290200

1000	1001	1002	1003	1004	1005	1006	1007	1008	1009	1010	1011	1012	1013	1014	1015	1016	1017	1018	1019	1020	1021	1022	1023	1024	1025	1026	1027	1028	1029	1030	1031	1032	1033	1034	1035	1036	1037	1038	1039	1040	1041	1042	1043	1044	1045	1046	1047	1048	1049	1050	1051	1052	1053	1054	1055	1056	1057	1058	1059	1060	1061	1062	1063	1064	1065	1066	1067	1068	1069	1070	1071	1072	1073	1074	1075	1076	1077	1078	1079	1080	1081	1082	1083	1084	1085	1086	1087	1088	1089	1090	1091	1092	1093	1094	1095	1096	1097	1098	1099	1100	1101	1102	1103	1104	1105	1106	1107	1108	1109	1110	1111	1112	1113	1114	1115	1116	1117	1118	1119	1120	1121	1122	1123	1124	1125	1126	1127	1128	1129	1130	1131	1132	1133	1134	1135	1136	1137	1138	1139	1140	1141	1142	1143	1144	1145	1146	1147	1148	1149	1150	1151	1152	1153	1154	1155	1156	1157	1158	1159	1160	1161	1162	1163	1164	1165	1166	1167	1168	1169	1170	1171	1172	1173	1174	1175	1176	1177	1178	1179	1180	1181	1182	1183	1184	1185	1186	1187	1188	1189	1190	1191	1192	1193	1194	1195	1196	1197	1198	1199	1200
------	------	------	------	------	------	------	------	------	------	------	------	------	------	------	------	------	------	------	------	------	------	------	------	------	------	------	------	------	------	------	------	------	------	------	------	------	------	------	------	------	------	------	------	------	------	------	------	------	------	------	------	------	------	------	------	------	------	------	------	------	------	------	------	------	------	------	------	------	------	------	------	------	------	------	------	------	------	------	------	------	------	------	------	------	------	------	------	------	------	------	------	------	------	------	------	------	------	------	------	------	------	------	------	------	------	------	------	------	------	------	------	------	------	------	------	------	------	------	------	------	------	------	------	------	------	------	------	------	------	------	------	------	------	------	------	------	------	------	------	------	------	------	------	------	------	------	------	------	------	------	------	------	------	------	------	------	------	------	------	------	------	------	------	------	------	------	------	------	------	------	------	------	------	------	------	------	------	------	------	------	------	------	------	------	------	------	------	------	------	------	------	------	------	------	------	------	------	------	------	------

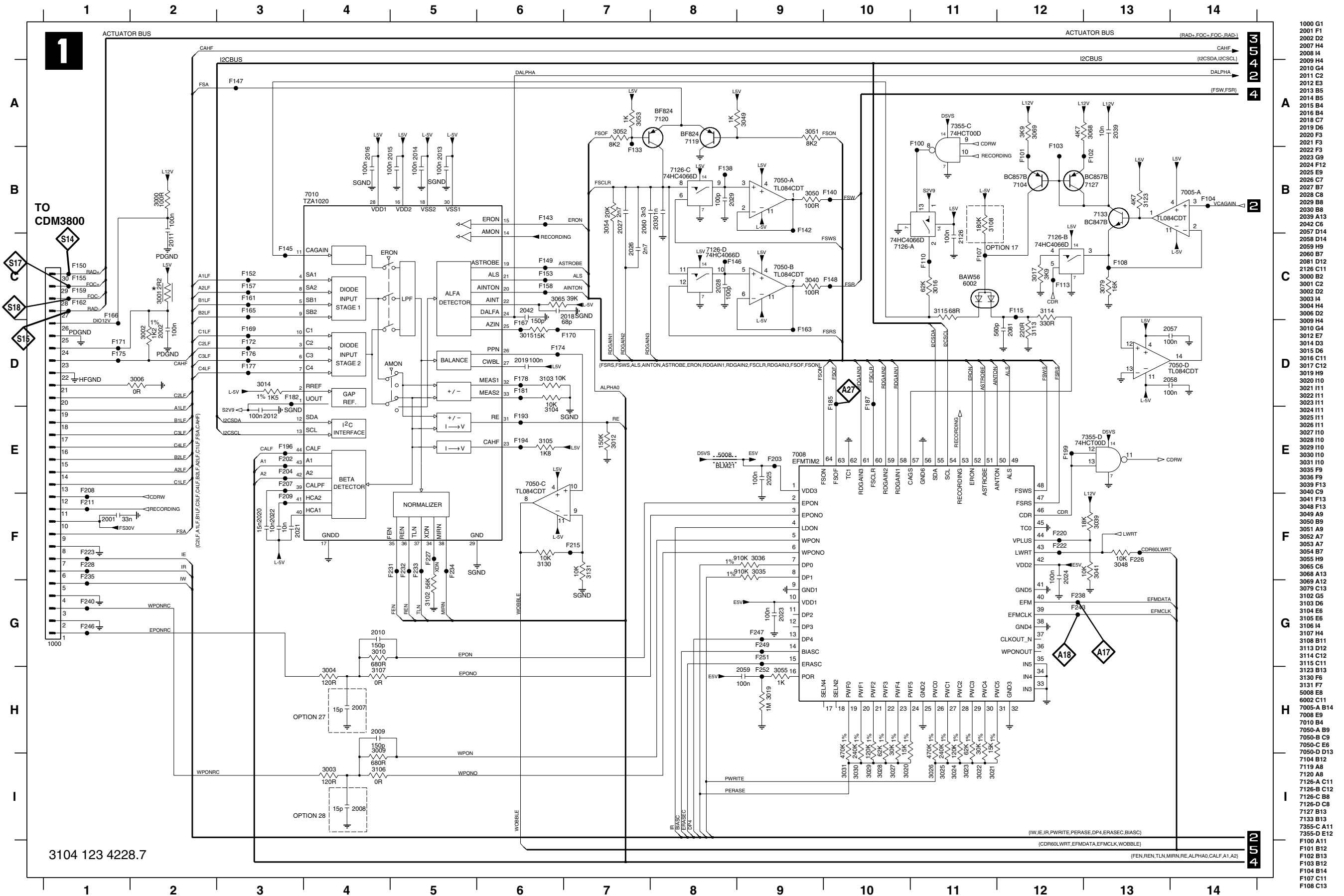
CDR MAIN BOARD - BOTTOM VIEW



18	12	2720	B4
19	11	2721	B4
20	10	2722	B4
21	9	2723	B4
22	8	2724	B4
23	7	2725	B4
24	6	2726	B4
25	5	2727	B4
26	4	2728	B4
27	3	2729	B4
28	2	2730	B4
29	1	2731	B4
30		2732	B4
31		2733	B4
32		2734	B4
33		2735	B4
34		2736	B4
35		2737	B4
36		2738	B4
37		2739	B4
38		2740	B4
39		2741	B4
40		2742	B4
41		2743	B4
42		2744	B4
43		2745	B4
44		2746	B4
45		2747	B4
46		2748	B4
47		2749	B4
48		2750	B4
49		2751	B4
50		2752	B4
51		2753	B4
52		2754	B4
53		2755	B4
54		2756	B4
55		2757	B4
56		2758	B4
57		2759	B4
58		2760	B4
59		2761	B4
60		2762	B4
61		2763	B4
62		2764	B4
63		2765	B4
64		2766	B4
65		2767	B4
66		2768	B4
67		2769	B4
68		2770	B4
69		2771	B4
70		2772	B4
71		2773	B4
72		2774	B4
73		2775	B4
74		2776	B4
75		2777	B4
76		2778	B4
77		2779	B4
78		2780	B4
79		2781	B4
80		2782	B4
81		2783	B4
82		2784	B4
83		2785	B4
84		2786	B4
85		2787	B4
86		2788	B4
87		2789	B4
88		2790	B4
89		2791	B4
90		2792	B4
91		2793	B4
92		2794	B4
93		2795	B4
94		2796	B4
95		2797	B4
96		2798	B4
97		2799	B4
98		2800	B4
99		2801	B4
100		2802	B4

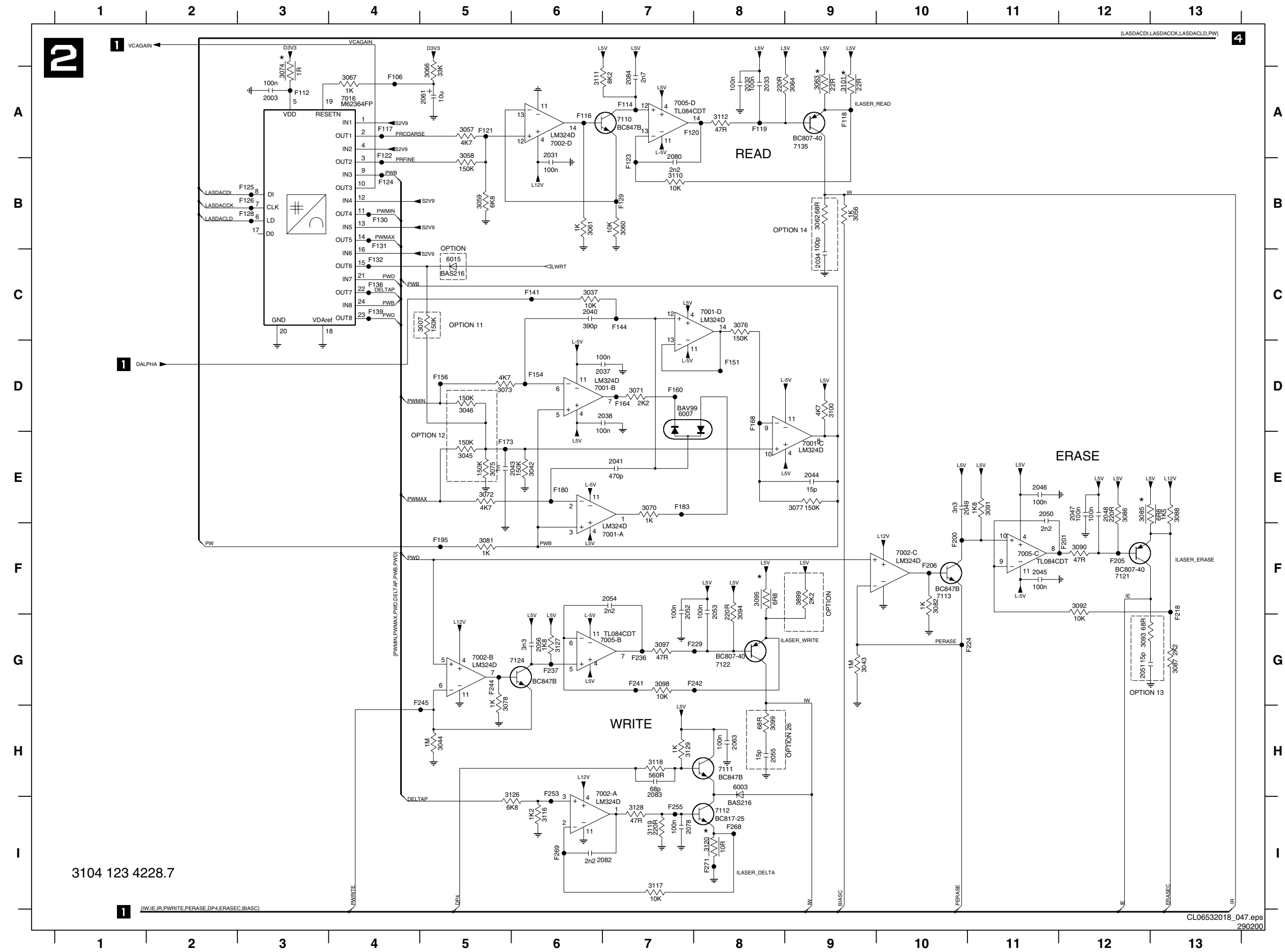
CDR-Mainboard Version 4228.7

CDR MAIN BOARD - CIRCUIT DIAGRAM 1 : AEGER, EFMTIM, FORWARD SENSE CIRCUIT TESTPOINTS



3104 123 4228.7

- 1000 G1
- 2001 F1
- 2002 D2
- 2007 H4
- 2008 I4
- 2009 H4
- 2010 G4
- 2011 C2
- 2012 E3
- 2013 B5
- 2014 B5
- 2015 B4
- 2016 B4
- 2018 C7
- 2019 D6
- 2020 F3
- 2021 F3
- 2022 F3
- 2023 G9
- 2024 F12
- 2025 E9
- 2026 C7
- 2027 B7
- 2028 C8
- 2029 B8
- 2030 B8
- 2039 A13
- 2042 C6
- 2057 D14
- 2058 D14
- 2059 H9
- 2060 B7
- 2081 D12
- 2126 C11
- 3000 B2
- 3001 C2
- 3002 D2
- 3003 I4
- 3004 H4
- 3006 D2
- 3009 H4
- 3010 G4
- 3012 E7
- 3014 D3
- 3015 D6
- 3016 C11
- 3017 C12
- 3019 H9
- 3020 I10
- 3021 I11
- 3022 I11
- 3023 I11
- 3024 I11
- 3025 I11
- 3026 I11
- 3027 I10
- 3028 I10
- 3029 I10
- 3030 I10
- 3031 I10
- 3035 F9
- 3036 F9
- 3039 F13
- 3040 C9
- 3041 F13
- 3048 F13
- 3049 A9
- 3050 B9
- 3051 A9
- 3052 A7
- 3053 A7
- 3054 B7
- 3055 H9
- 3056 C6
- 3068 A13
- 3069 A13
- 3079 C13
- 3102 G5
- 3103 D6
- 3104 E6
- 3105 E6
- 3106 H4
- 3107 H4
- 3108 B11
- 3113 D12
- 3114 C12
- 3115 C11
- 3123 B13
- 3130 F8
- 3131 F7
- 5008 E8
- 6002 C11
- 7005-A B14
- 7008 E9
- 7010 B4
- 7050-A B9
- 7050-B C9
- 7050-C E6
- 7050-D D13
- 7104 B12
- 7119 A8
- 7120 A8
- 7126-A C11
- 7126-B C12
- 7126-C B8
- 7126-D C8
- 7127 B13
- 7133 B13
- 7355-C A11
- 7355-D E12
- F100 A11
- F101 B12
- F102 B13
- F103 B12
- F104 B14
- F107 C11
- F108 C13
- F110 C11
- F113 C12
- F115 C12
- F133 B7
- F138 B8
- F140 B10
- F142 B9
- F143 B6
- F145 C2
- F146 C8
- F147 A3
- F148 C10
- F149 C6
- F150 C1
- F152 C3
- F153 C5
- F155 C1
- F157 C3
- F158 C6
- F159 C1
- F161 C3
- F162 C1
- F163 D9
- F165 C3
- F166 C1
- F167 D6
- F169 D3
- F170 D7
- F171 D1
- F172 D3
- F174 D6
- F175 D1
- F176 D3
- F177 D3
- F178 D6
- F181 D6
- F182 D3
- F185 D10
- F187 D10
- F193 E6
- F194 E6
- F196 E3
- F199 E12
- F202 E3
- F203 E9
- F204 E3
- F207 E3
- F208 E1
- F209 F3
- F211 F1
- F215 F7
- F220 F12
- F222 F12
- F223 F1
- F226 F13
- F227 F5
- F228 F1
- F231 F4
- F232 F5
- F233 F5
- F234 F5
- F235 F1
- F238 G12
- F240 G1
- F243 G12
- F246 G1
- F247 G9
- F249 G9
- F251 G9
- F252 H9



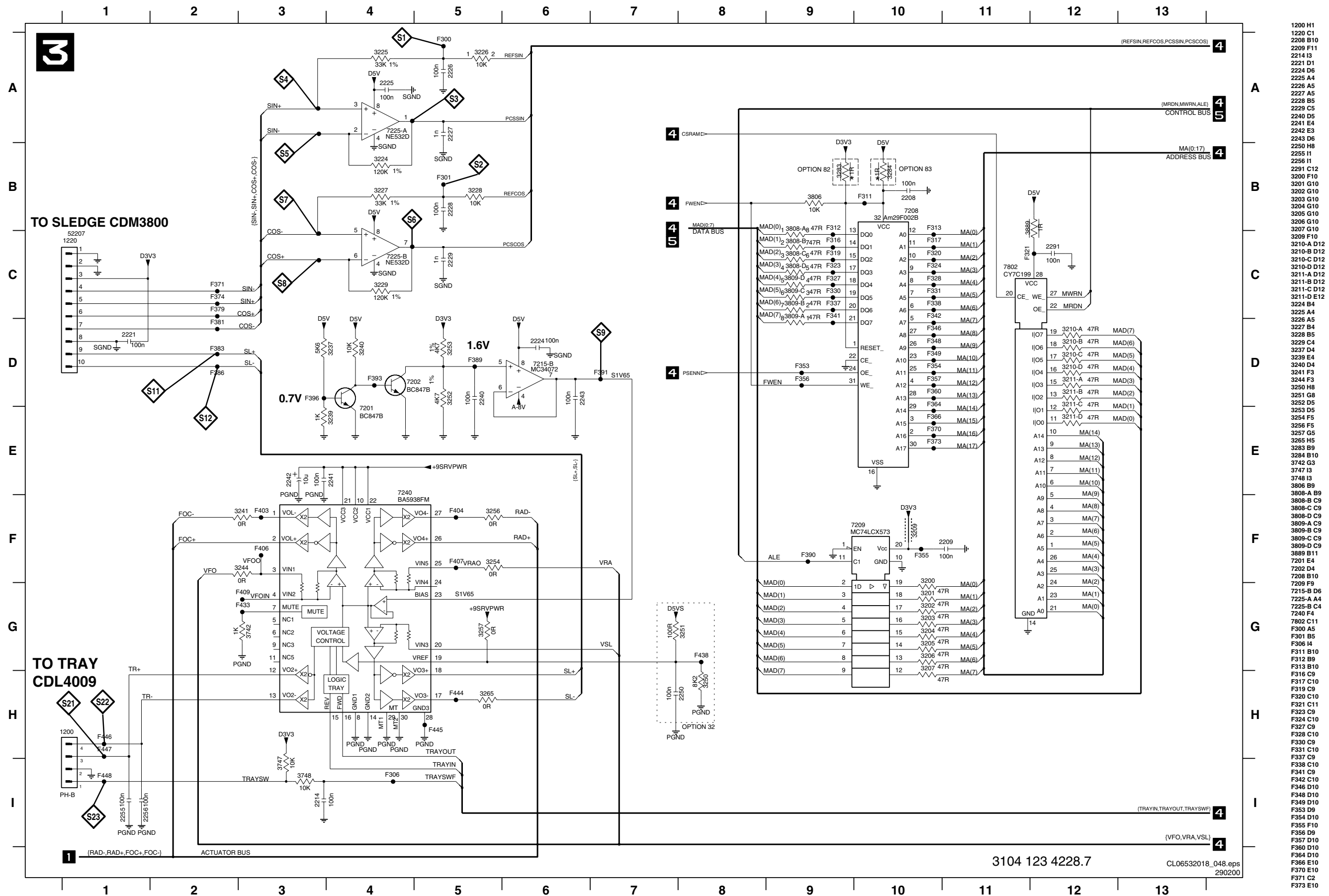
3104 123 4228.7

(//I.E.IR.PWRITE.PERASE.OP4.ERASEC.BIASC)

CL06532018_047.eps
290200

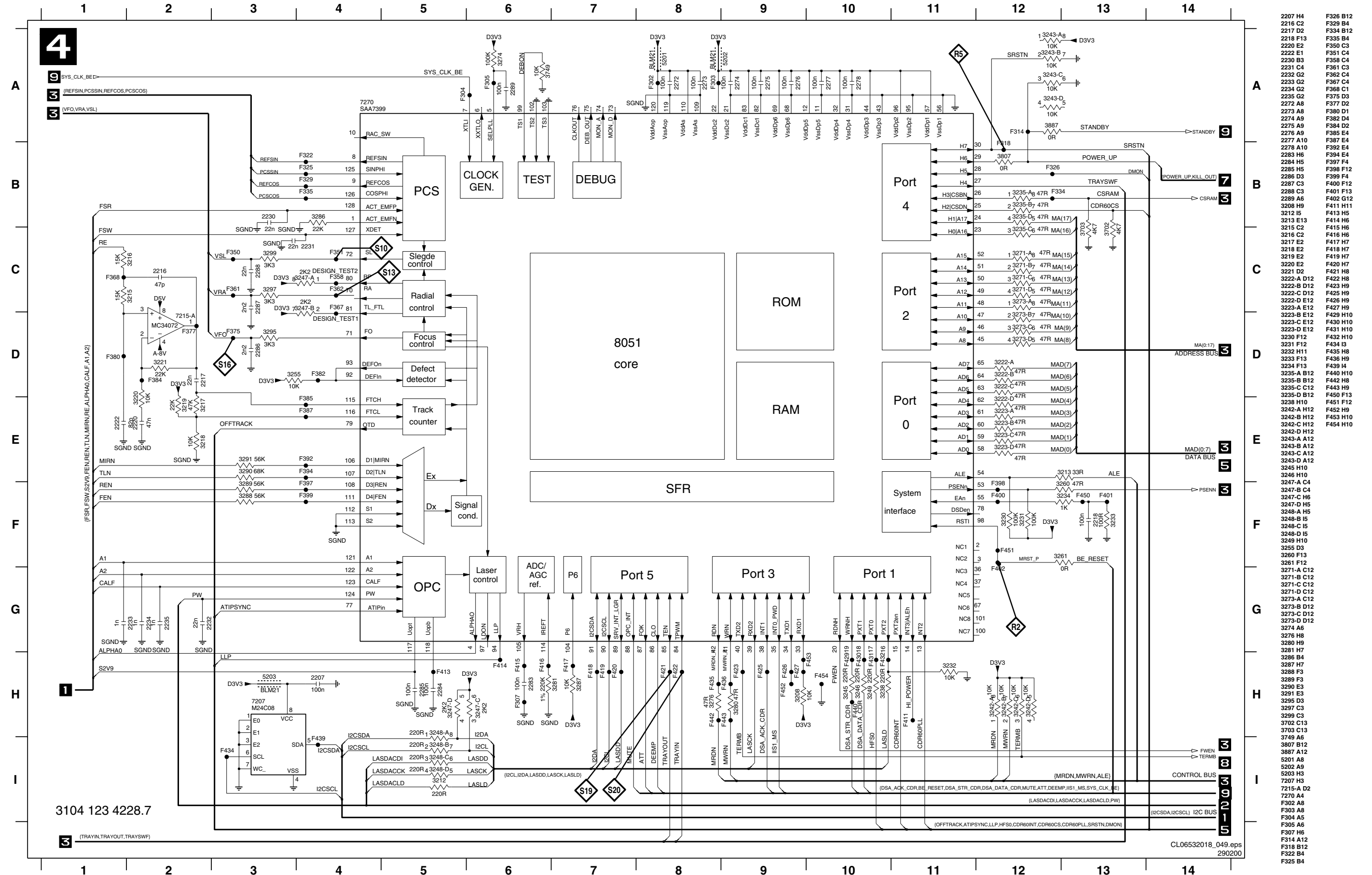
- 2003 A3
- 2031 A6
- 2032 A8
- 2033 A8
- 2034 C9
- 2037 D7
- 2038 D7
- 2040 C6
- 2041 E7
- 2043 E5
- 2044 E9
- 2045 F11
- 2046 E11
- 2047 E12
- 2048 E12
- 2049 E10
- 2050 E11
- 2051 G12
- 2052 F7
- 2053 F8
- 2054 F7
- 2055 H8
- 2056 G6
- 2061 A5
- 2063 H8
- 2078 I7
- 2080 B7
- 2082 I7
- 2083 I7
- 2084 A7
- 3007 C5
- 3037 C6
- 3042 E6
- 3043 G9
- 3044 H5
- 3045 E5
- 3046 D5
- 3056 B9
- 3057 A5
- 3058 B5
- 3059 B5
- 3060 B7
- 3061 B6
- 3062 B9
- 3063 A9
- 3064 A9
- 3066 A5
- 3067 A4
- 3070 E7
- 3071 D7
- 3072 E5
- 3073 D5
- 3074 A3
- 3075 E5
- 3076 C8
- 3077 E9
- 3078 G5
- 3081 F5
- 3082 F10
- 3085 E12
- 3086 E12
- 3087 G13
- 3088 E13
- 3090 F12
- 3091 E11
- 3092 F12
- 3093 G12
- 3094 F8
- 3095 F8
- 3097 G7
- 3098 G7
- 3099 H8
- 3100 D9
- 3101 A9
- 3110 B7
- 3111 A6
- 3112 A8
- 3116 I6
- 3117 I7
- 3118 H7
- 3119 I7
- 3120 I8
- 3126 I6
- 3127 G6
- 3128 I7
- 3129 H7
- 3899 F9
- 6003 H8
- 6007 D7
- 6015 C5
- 7001-A F7
- 7001-B D6
- 7001-C E9
- 7001-D C8
- 7002-A H6
- 7002-B G5
- 7002-C F10
- 7002-D A6
- 7005-B G6
- 7005-C F11
- 7005-D A7
- 7016 A4
- 7110 A7
- 7111 H8
- 7112 I8
- 7113 F10
- 7121 F12
- 7122 G8
- 7124 G5
- 7135 A9
- F106 A4
- F112 A3
- F114 A7
- F116 A6
- F117 A4
- F118 A9
- F119 A8
- F120 A7
- F121 A5
- F122 A4
- F123 B7
- F124 B4
- F125 B3
- F126 B3
- F128 B3
- F129 B7
- F130 B4
- F131 B4
- F132 C4
- F135 C4
- F139 C4
- F141 C6
- F144 C7
- F151 D8
- F154 D6
- F156 D5
- F160 D7
- F164 D7
- F168 D8
- F173 E5
- F180 E6
- F183 E7
- F195 F5
- F200 F10
- F201 F12
- F205 F12
- F206 F10
- F218 F13
- F224 G10
- F229 C6
- F236 G7
- F237 G6
- F241 G7
- F242 G8
- F244 G5
- F245 G5
- F253 H6
- F255 I7
- F268 I8
- F269 I6
- F271 I8

CDR MAIN BOARD - CIRCUIT DIAGRAM 3 : SERVO DRIVERS, MACE-RAM, -FLASH, -DEMUX TEST POINTS

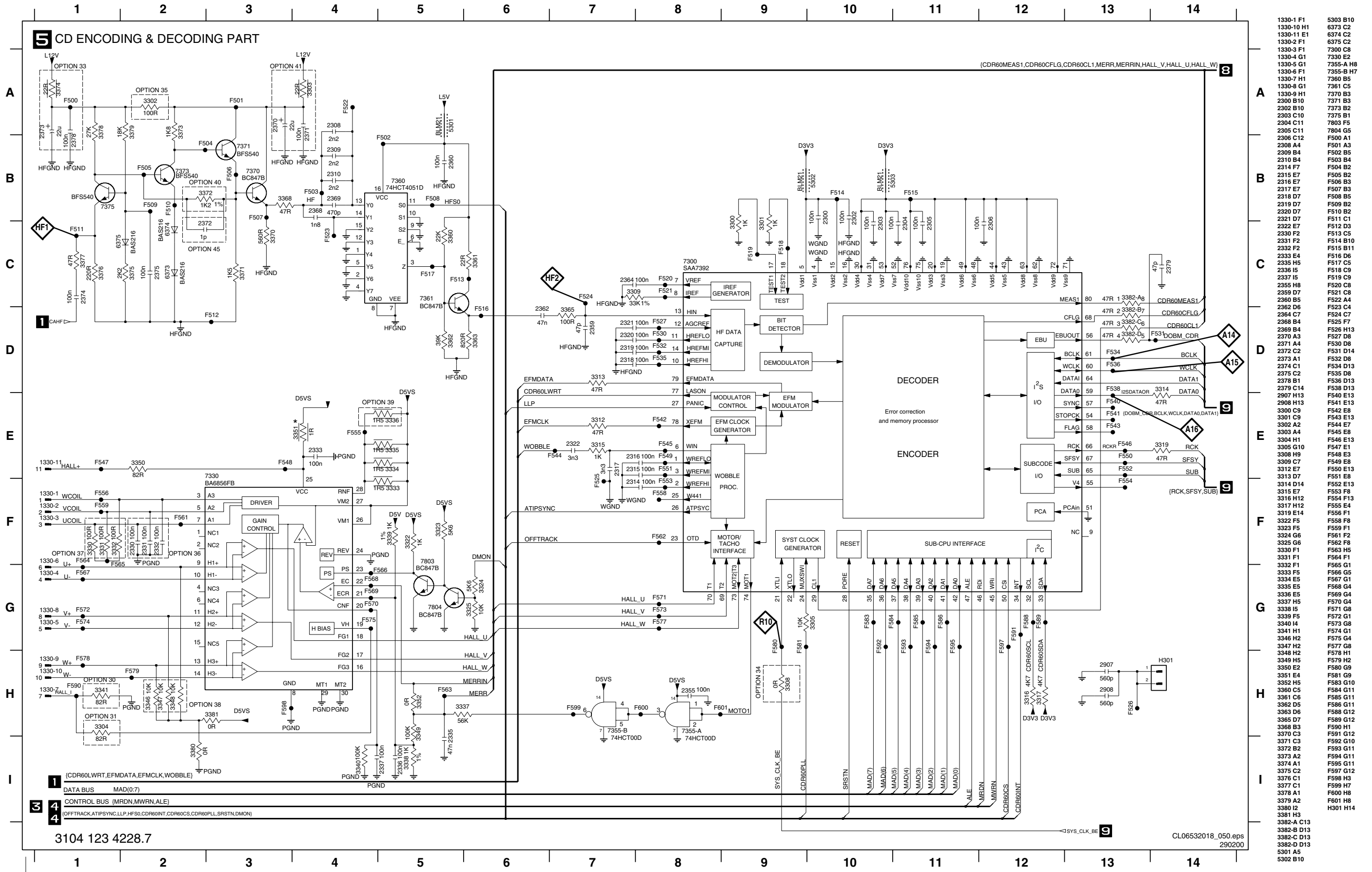


- 1200 H1
- 1220 C1
- 2208 B10
- 2209 F11
- 2214 B3
- 2221 D1
- 2224 D6
- 2225 A4
- 2226 A5
- 2227 A5
- 2228 B5
- 2229 C5
- 2240 D5
- 2241 E4
- 2242 E3
- 2243 D6
- 2250 H8
- 2255 I1
- 2256 I1
- 2291 C12
- 3200 F10
- 3201 G10
- 3202 G10
- 3203 G10
- 3204 G10
- 3205 G10
- 3206 G10
- 3207 G10
- 3209 F10
- 3210-A D12
- 3210-B D12
- 3210-C D12
- 3210-D D12
- 3211-A D12
- 3211-B D12
- 3211-C D12
- 3211-D E12
- 3224 B4
- 3225 A4
- 3226 A5
- 3227 B4
- 3228 B5
- 3229 C4
- 3237 D4
- 3239 E4
- 3240 D4
- 3241 F3
- 3244 F3
- 3250 H8
- 3251 G8
- 3252 D5
- 3253 D5
- 3254 F5
- 3255 F5
- 3257 G5
- 3265 H5
- 3283 B9
- 3284 B10
- 3742 G3
- 3747 G3
- 3748 I3
- 3806 B9
- 3808-A B9
- 3808-B C9
- 3808-C C9
- 3808-D C9
- 3809-A C9
- 3809-B C9
- 3809-C C9
- 3809-D C9
- 3889 B11
- 7201 E4
- 7202 D4
- 7208 B10
- 7209 F9
- 7215-B D6
- 7225-A A4
- 7225-B C4
- 7240 F4
- 7802 C11
- F300 A5
- F301 B5
- F306 I4
- F311 B10
- F312 B9
- F313 B10
- F316 C9
- F317 C10
- F319 C9
- F320 C10
- F321 C11
- F323 C9
- F324 C10
- F327 C9
- F328 C10
- F330 C9
- F331 C10
- F337 C9
- F338 C10
- F341 C9
- F342 C10
- F346 D10
- F348 D10
- F349 D10
- F354 D10
- F355 F10
- F356 D9
- F357 D10
- F360 D10
- F364 D10
- F366 E10
- F370 E10
- F371 C2
- F373 E10
- F374 C2
- F379 C2
- F381 D2
- F383 D2
- F386 D2
- F389 D5
- F390 F9
- F391 D7
- F393 D4
- F396 D3
- F403 F3
- F404 F5
- F406 F3
- F407 F5
- F409 G3
- F433 G3
- F438 G8
- F444 H5
- F445 H5
- F446 H1
- F447 H1
- F448 I1

CDR MAIN BOARD - CIRCUIT DIAGRAM 4 : MACE BE-PROCESSOR TESTPOINTS



CDR MAIN BOARD - CIRCUIT DIAGRAM 5 : CD ENCODING-DECODING PART

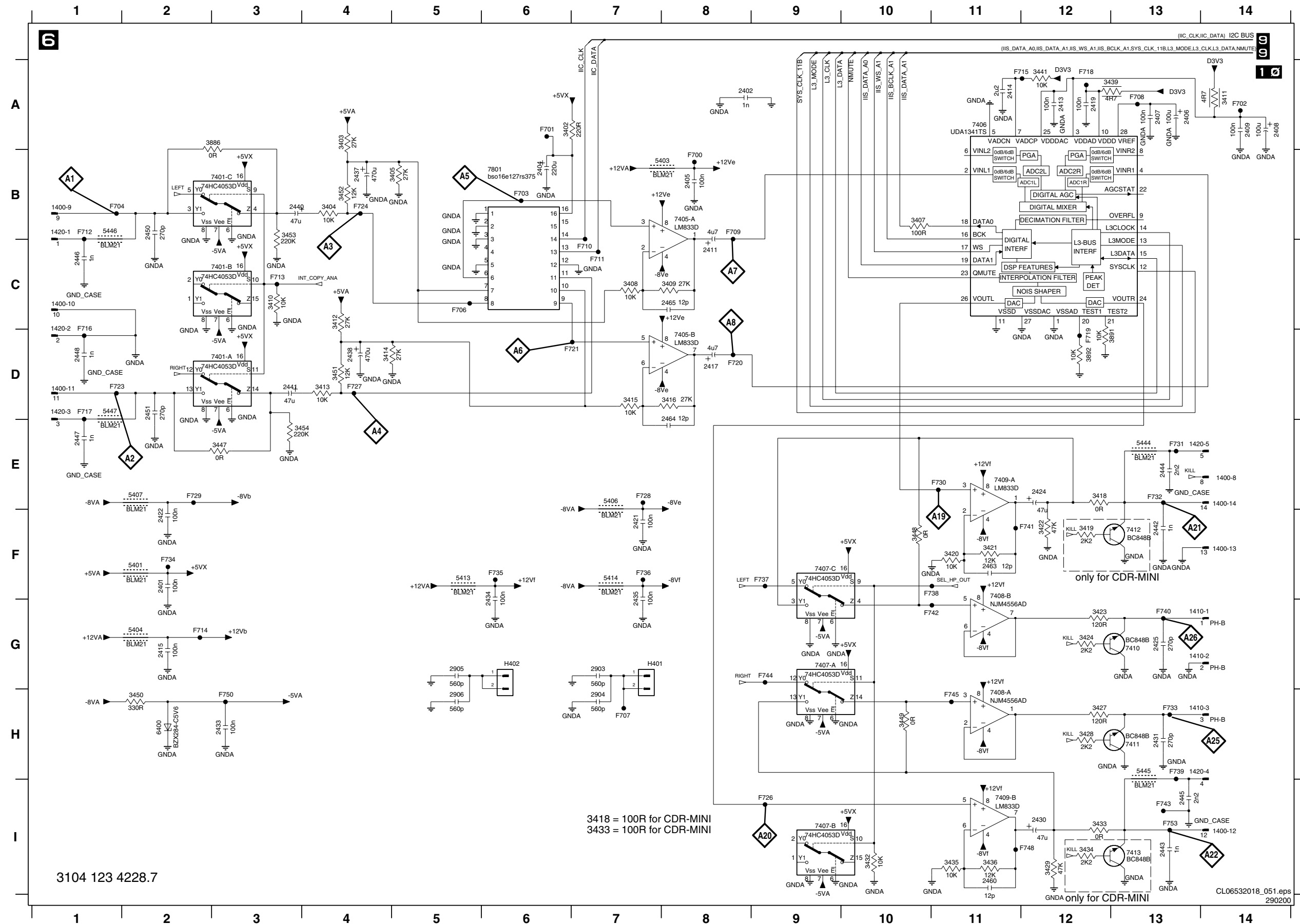


- 1330-1 F1
- 1330-10 H1
- 1330-11 E1
- 1330-2 F1
- 1330-3 F1
- 1330-4 G1
- 1330-5 G1
- 1330-6 F1
- 1330-7 H1
- 1330-8 G1
- 1330-9 H1
- 2300 B10
- 2302 B10
- 2303 C10
- 2304 C11
- 2305 C11
- 2306 C12
- 2308 A4
- 2309 B4
- 2310 B4
- 2314 F7
- 2315 E7
- 2316 E7
- 2317 E7
- 2318 D7
- 2319 D7
- 2320 D7
- 2321 D7
- 2322 E7
- 2330 F2
- 2331 F2
- 2332 F2
- 2333 E4
- 2335 H5
- 2336 I5
- 2337 I5
- 2350 H8
- 2359 D7
- 2360 B5
- 2362 D6
- 2364 C7
- 2368 B4
- 2369 B4
- 2370 A3
- 2371 A4
- 2372 C2
- 2373 A1
- 2374 C1
- 2375 C2
- 2378 B1
- 2379 C14
- 2907 H13
- 2908 H13
- 3000 C9
- 3001 C9
- 3002 A2
- 3003 A4
- 3004 H1
- 3005 G10
- 3008 H9
- 3009 C7
- 3012 E7
- 3013 C9
- 3002 A2
- 3003 A4
- 3004 H1
- 3005 G10
- 3008 H9
- 3009 C7
- 3012 E7
- 3013 C9
- 3014 D14
- 3115 E7
- 3116 H12
- 3117 H12
- 3119 E14
- 3322 F5
- 3323 F5
- 3324 G6
- 3325 G6
- 3330 F1
- 3331 F1
- 3332 F1
- 3333 F5
- 3334 E5
- 3335 E5
- 3336 E5
- 3337 H5
- 3338 I5
- 3339 F5
- 3340 I4
- 3341 H1
- 3342 H2
- 3343 H2
- 3344 H2
- 3345 H2
- 3346 H2
- 3347 H2
- 3348 H2
- 3349 H5
- 3350 E2
- 3351 E4
- 3352 H5
- 3360 C5
- 3361 C6
- 3362 D5
- 3363 D6
- 3365 D7
- 3368 B3
- 3370 C3
- 3371 C3
- 3372 B2
- 3373 A2
- 3374 A1
- 3375 C2
- 3376 C1
- 3377 C1
- 3378 A1
- 3379 A2
- 3380 I2
- 3381 H3
- 3382-A C13
- 3382-B D13
- 3382-C D13
- 3382-D D13
- 5301 A5
- 5302 B10
- 5303 B10
- 5304 B10
- 5305 B10
- 5306 B10
- 5307 B10
- 5308 B10
- 5309 B10
- 5310 B10
- 5311 B10
- 5312 B10
- 5313 B10
- 5314 B10
- 5315 B10
- 5316 B10
- 5317 B10
- 5318 B10
- 5319 B10
- 5320 B10
- 5321 B10
- 5322 B10
- 5323 B10
- 5324 B10
- 5325 B10
- 5326 B10
- 5327 B10
- 5328 B10
- 5329 B10
- 5330 B10
- 5331 B10
- 5332 B10
- 5333 B10
- 5334 B10
- 5335 B10
- 5336 B10
- 5337 B10
- 5338 B10
- 5339 B10
- 5340 B10
- 5341 B10
- 5342 B10
- 5343 B10
- 5344 B10
- 5345 B10
- 5346 B10
- 5347 B10
- 5348 B10
- 5349 B10
- 5350 B10
- 5351 B10
- 5352 B10
- 5353 B10
- 5354 B10
- 5355 B10
- 5356 B10
- 5357 B10
- 5358 B10
- 5359 B10
- 5360 B10
- 5361 B10
- 5362 B10
- 5363 B10
- 5364 B10
- 5365 B10
- 5366 B10
- 5367 B10
- 5368 B10
- 5369 B10
- 5370 B10
- 5371 B10
- 5372 B10
- 5373 B10
- 5374 B10
- 5375 B10
- 5376 B10
- 5377 B10
- 5378 B10
- 5379 B10
- 5380 B10
- 5381 B10
- 5382 B10
- 5383 B10
- 5384 B10
- 5385 B10
- 5386 B10
- 5387 B10
- 5388 B10
- 5389 B10
- 5390 B10
- 5391 B10
- 5392 B10
- 5393 B10
- 5394 B10
- 5395 B10
- 5396 B10
- 5397 B10
- 5398 B10
- 5399 B10
- 5400 B10
- 5401 B10
- 5402 B10
- 5403 B10
- 5404 B10
- 5405 B10
- 5406 B10
- 5407 B10
- 5408 B10
- 5409 B10
- 5410 B10
- 5411 B10
- 5412 B10
- 5413 B10
- 5414 B10
- 5415 B10
- 5416 B10
- 5417 B10
- 5418 B10
- 5419 B10
- 5420 B10
- 5421 B10
- 5422 B10
- 5423 B10
- 5424 B10
- 5425 B10
- 5426 B10
- 5427 B10
- 5428 B10
- 5429 B10
- 5430 B10
- 5431 B10
- 5432 B10
- 5433 B10
- 5434 B10
- 5435 B10
- 5436 B10
- 5437 B10
- 5438 B10
- 5439 B10
- 5440 B10
- 5441 B10
- 5442 B10
- 5443 B10
- 5444 B10
- 5445 B10
- 5446 B10
- 5447 B10
- 5448 B10
- 5449 B10
- 5450 B10
- 5451 B10
- 5452 B10
- 5453 B10
- 5454 B10
- 5455 B10
- 5456 B10
- 5457 B10
- 5458 B10
- 5459 B10
- 5460 B10
- 5461 B10
- 5462 B10
- 5463 B10
- 5464 B10
- 5465 B10
- 5466 B10
- 5467 B10
- 5468 B10
- 5469 B10
- 5470 B10
- 5471 B10
- 5472 B10
- 5473 B10
- 5474 B10
- 5475 B10
- 5476 B10
- 5477 B10
- 5478 B10
- 5479 B10
- 5480 B10
- 5481 B10
- 5482 B10
- 5483 B10
- 5484 B10
- 5485 B10
- 5486 B10
- 5487 B10
- 5488 B10
- 5489 B10
- 5490 B10
- 5491 B10
- 5492 B10
- 5493 B10
- 5494 B10
- 5495 B10
- 5496 B10
- 5497 B10
- 5498 B10
- 5499 B10
- 5500 B10
- 5501 B10
- 5502 B10
- 5503 B10
- 5504 B10
- 5505 B10
- 5506 B10
- 5507 B10
- 5508 B10
- 5509 B10
- 5510 B10
- 5511 B10
- 5512 B10
- 5513 B10
- 5514 B10
- 5515 B10
- 5516 B10
- 5517 B10
- 5518 B10
- 5519 B10
- 5520 B10
- 5521 B10
- 5522 B10
- 5523 B10
- 5524 B10
- 5525 B10
- 5526 B10
- 5527 B10
- 5528 B10
- 5529 B10
- 5530 B10
- 5531 B10
- 5532 B10
- 5533 B10
- 5534 B10
- 5535 B10
- 5536 B10
- 5537 B10
- 5538 B10
- 5539 B10
- 5540 B10
- 5541 B10
- 5542 B10
- 5543 B10
- 5544 B10
- 5545 B10
- 5546 B10
- 5547 B10
- 5548 B10
- 5549 B10
- 5550 B10
- 5551 B10
- 5552 B10
- 5553 B10
- 5554 B10
- 5555 B10
- 5556 B10
- 5557 B10
- 5558 B10
- 5559 B10
- 5560 B10
- 5561 B10
- 5562 B10
- 5563 B10
- 5564 B10
- 5565 B10
- 5566 B10
- 5567 B10
- 5568 B10
- 5569 B10
- 5570 B10
- 5571 B10
- 5572 B10
- 5573 B10
- 5574 B10
- 5575 B10
- 5576 B10
- 5577 B10
- 5578 B10
- 5579 B10
- 5580 B10
- 5581 B10
- 5582 B10
- 5583 B10
- 5584 B10
- 5585 B10
- 5586 B10
- 5587 B10
- 5588 B10
- 5589 B10
- 5590 B10
- 5591 B10
- 5592 B10
- 5593 B10
- 5594 B10
- 5595 B10
- 5596 B10
- 5597 B10
- 5598 B10
- 5599 B10
- 5600 B10
- 5601 B10
- 5602 B10
- 5603 B10
- 5604 B10
- 5605 B10
- 5606 B10
- 5607 B10
- 5608 B10
- 5609 B10
- 5610 B10
- 5611 B10
- 5612 B10
- 5613 B10
- 5614 B10
- 5615 B10
- 5616 B10
- 5617 B10
- 5618 B10
- 5619 B10
- 5620 B10
- 5621 B10
- 5622 B10
- 5623 B10
- 5624 B10
- 5625 B10
- 5626 B10
- 5627 B10
- 5628 B10
- 5629 B10
- 5630 B10
- 5631 B10
- 5632 B10
- 5633 B10
- 5634 B10
- 5635 B10
- 5636 B10
- 5637 B10
- 5638 B10
- 5639 B10
- 5640 B10
- 5641 B10
- 5642 B10
- 5643 B10
- 5644 B10
- 5645 B10
- 5646 B10
- 5647 B10
- 5648 B10
- 5649 B10
- 5650 B10
- 5651 B10
- 5652 B10
- 5653 B10
- 5654 B10
- 5655 B10
- 5656 B10
- 5657 B10
- 5658 B10
- 5659 B10
- 5660 B10
- 5661 B10
- 5662 B10
- 5663 B10
- 5664 B10
- 5665 B10
- 5666 B10
- 5667 B10
- 5668 B10
- 5669 B10
- 5670 B10
- 5671 B10
- 5672 B10
- 5673 B10
- 5674 B10
- 5675 B10
- 5676 B10
- 5677 B10
- 5678 B10
- 5679 B10
- 5680 B10
- 5681 B10
- 5682 B10
- 5683 B10
- 5684 B10
- 5685 B10
- 5686 B10
- 5687 B10
- 5688 B10
- 5689 B10
- 5690 B10
- 5691 B10
- 5692 B10
- 5693 B10
- 5694 B10
- 5695 B10
- 5696 B10
- 5697 B10
- 5698 B10
- 5699 B10
- 5700 B10
- 5701 B10
- 5702 B10
- 5703 B10
- 5704 B10
- 5705 B10
- 5706 B10
- 5707 B10
- 5708 B10
- 5709 B10
- 5710 B10
- 5711 B10
- 5712 B10
- 5713 B10
- 5714 B10
- 5715 B10
- 5716 B10
- 5717 B10
- 5718 B10
- 5719 B10
- 5720 B10
- 5721 B10
- 5722 B10
- 5723 B10
- 5724 B10
- 5725 B10
- 5726 B10
- 5727 B10
- 5728 B10
- 5729 B10
- 5730 B10
- 5731 B10
- 5732 B10
- 5733 B10
- 5734 B10
- 5735 B10
- 5736 B10
- 5737 B10
- 5738 B10
- 5739 B10
- 5740 B10
- 5741 B10
- 5742 B10
- 5743 B10
- 5744 B10
- 5745 B10
- 5746 B10
- 5747 B10
- 5748 B10
- 5749 B10
- 5750 B10
- 5751 B10
- 5752 B10
- 5753 B10
- 5754 B10
- 5755 B10
- 5756 B10
- 5757 B10
- 5758 B10
- 5759 B10
- 5760 B10
- 5761 B10
- 5762 B10
- 5763 B10
- 5764 B10
- 5765 B10
- 5766 B10
- 5767 B10
- 5768 B10
- 5769 B10
- 5770 B10
- 5771 B10
- 5772 B10
- 5773 B10
- 5774 B10
- 5775 B10
- 5776 B10
- 5777 B10
- 5778 B10
- 5779 B10
- 5780 B10
- 5781 B10
- 5782 B10
- 5783 B10
- 5784 B10
- 5785 B10
- 5786 B10
- 5787 B10
- 5788 B10
- 5789 B10
- 5790 B10
- 5791 B10
- 5792 B10
- 5793 B10
- 5794 B10
- 5795 B10
- 5796 B10
- 5797 B10
- 5798 B10
- 5799 B10
- 5800 B10
- 5801 B10
- 5802 B10
- 5803 B10
- 5804 B10
- 5805 B10
- 5806 B10
- 5807 B10
- 5808 B10
- 5809 B10
- 5810 B10
- 5811 B10
- 5812 B10
- 5813 B10
- 5814 B10
- 5815 B10
- 5816 B10
- 5817 B10
- 5818 B10
- 5819 B10
- 5820 B10
- 5821 B10
- 5822 B10
- 5823 B10
- 5824 B10
- 5825 B10
- 5826 B10
- 5827 B10
- 5828 B10
- 5829 B10
- 5830 B10
- 5831 B10
- 5832 B10
- 5833 B10
- 5834 B10
- 5835 B10
- 5836 B10
- 5837 B10
- 5838 B10
- 5839 B10
- 5840 B10
- 5841 B10
- 5842 B10
- 5843 B10
- 5844 B10
- 5845 B10
- 5846 B10
- 5847 B10
- 5848 B10
- 5849 B10
- 5850 B10
- 5851 B10
- 5852 B10
- 5853 B10
- 5854 B10
- 5855 B10
- 5856 B10
- 5857 B10
- 5858 B10
- 5859 B10
- 5860 B10
- 5861 B10
- 5862 B10
- 5863 B10
- 5864 B10
- 5865 B10
- 5866 B10
- 5867 B10
- 5868 B10
- 5869 B10
- 5870 B10
- 5871 B10
- 5872 B10
- 5873 B10
- 5874 B10
- 5875 B10
- 5876 B10
- 5877 B10
- 5878 B10
- 5879 B10
- 5880 B10
- 5881 B10
- 5882 B10
- 5883 B10
- 5884 B10
- 5885 B10
- 5886 B10
- 5887 B10
- 5888 B10
- 5889 B10
- 5890 B10
- 5891 B10
- 5892 B10
- 5893 B10
- 5894 B10
- 5895 B10
- 5896 B10
- 5897 B10
- 5898 B10
- 5899 B10
- 5900 B10
- 5901 B10
- 5902 B10
- 5903 B10
- 5904 B10
- 5905 B10
- 5906 B10
- 5907 B10
- 5908 B10
- 5909 B10
- 5910 B10
- 5911 B10
- 5912 B10
- 5913 B10
- 5914 B10
- 5915 B10
- 5916 B10
- 5917 B10
- 5918 B10
- 5919 B10
- 5920 B10
- 5921 B10
- 5922 B10
- 5923 B10
- 5924 B10
- 5925 B10
- 5926 B10
- 5927 B10
- 5928 B10
- 5929 B10
- 5930 B10
- 5931 B10
- 5932 B10
- 5933 B10
- 5934 B10
- 5935 B10
- 5936 B10
- 5937 B10
- 5938 B10
- 5939 B10
- 5940 B10
- 5941 B10
- 5942 B10
- 5943 B10
- 5944 B10
- 5945 B10
- 5946 B10
- 5947 B10
- 5948 B10
- 5949 B10
- 5950 B10
- 5951 B10
- 5952 B10
- 5953 B10
- 5954 B10
- 5955 B10
- 5956 B10
- 5957 B10
- 5958 B10
- 5959 B10
- 5960 B10
- 5961 B10
- 5962 B10
- 5963 B10
- 5964 B10
- 5965 B10
- 5966 B10
- 5967 B10
- 5968 B10
- 5969 B10
- 5970 B10
- 5971 B10
- 5972 B10
- 5973 B10
- 5974 B10
- 5975 B10
- 5976 B10
- 5977 B10
- 5978 B10
- 5979 B10
- 5980 B10
- 5981 B10
- 5982 B10
- 5983 B10
- 5984 B10
- 5985 B10
- 5986 B10
- 5987 B10
- 5988 B10
- 5989 B10
- 5990 B10
- 5991 B10
- 5992 B10
- 5993 B10
- 5994 B10
- 5995 B10
- 5996 B10
- 5997 B10
- 5998 B10
- 5999 B10
- 6000 B10

3104 123 4228.7

CL06532018_050.eps
290200

CDR MAIN BOARD - CIRCUIT DIAGRAM 6 : AUDIO PART (NOT FOR CDR950/951)

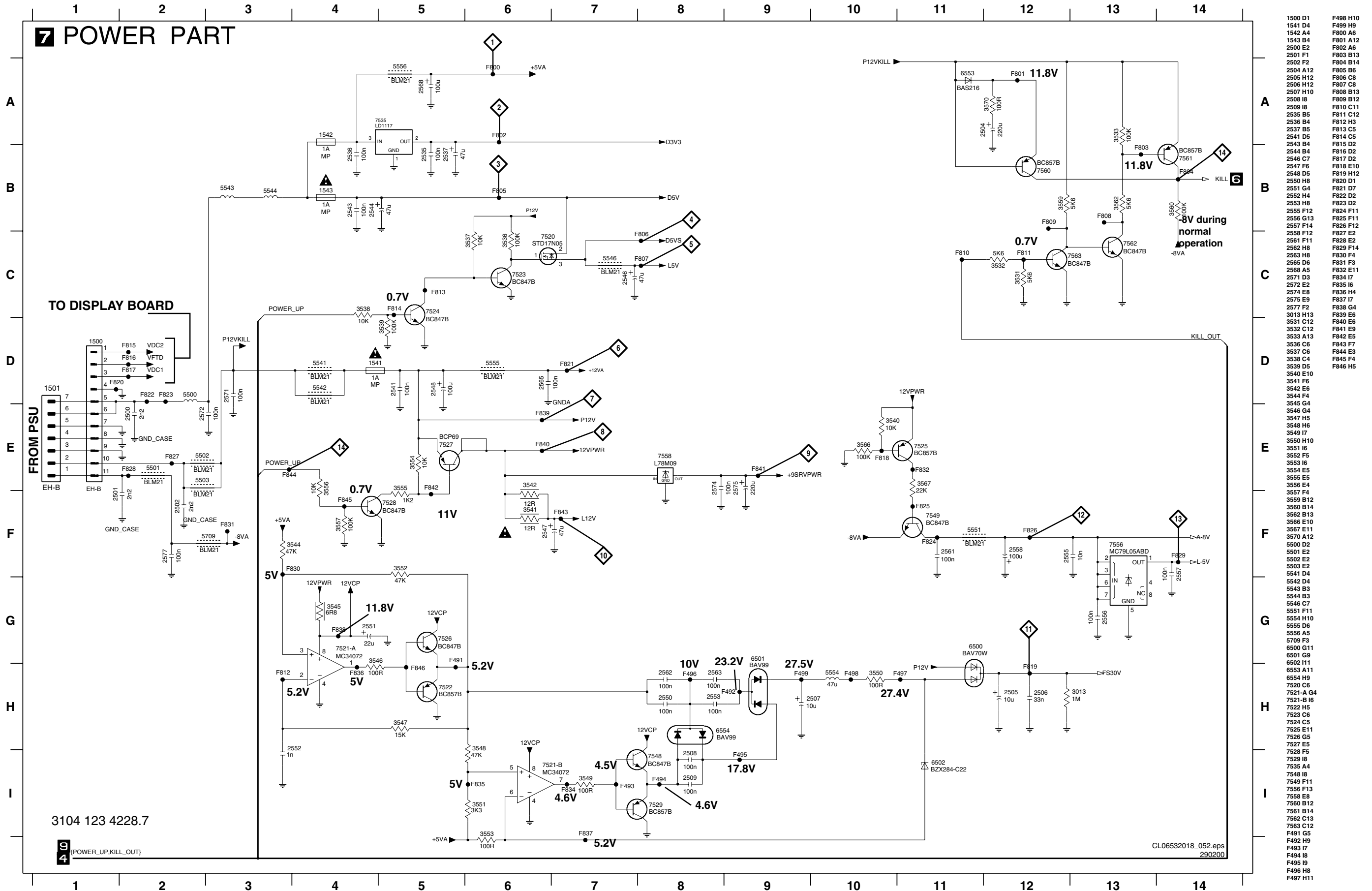


1400-10 C1	7405-B D8
1400-11 D1	7406 A11
1400-12 I14	7407-A G9
1400-13 F14	7407-B I9
1400-14 E14	7407-C F9
1400-8 E14	7408-A H11
1400-9 B1	7408-B F11
1410-1 G14	7409-A E11
1410-2 G14	7409-B H11
1410-3 H14	7410 G13
1420-1 B1	7411 H13
1420-2 D1	7412 F13
1420-3 D1	7413 I13
1420-4 H14	7501 B6
1420-5 E14	F700 B8
2401 F2	F701 A6
2402 A8	F702 A14
2404 B6	F703 B6
2405 B8	F704 B1
2406 A13	F706 C5
2407 A13	F707 H7
2408 A14	F708 A13
2409 A14	F709 B8
2411 C8	F710 C7
2413 A12	F711 C7
2414 A11	F712 B1
2415 G2	F713 C3
2417 D8	F714 G2
2419 A12	F715 A12
2421 F7	F716 D1
2422 F2	F717 D1
2424 E12	F718 A12
2425 G13	F719 D12
2430 H12	F720 D8
2431 H13	F721 D7
2433 H3	F723 D1
2434 F6	F724 B4
2435 F7	F726 I9
2437 B4	F727 D4
2438 D4	F728 E7
2440 B3	F729 E2
2441 D3	F730 E1
2442 F3	F731 E3
2443 I13	F732 E13
2444 E13	F733 H13
2445 I13	F734 F2
2446 C1	F735 F6
2447 E1	F736 F7
2448 D1	F737 F9
2450 B2	F738 F11
2451 D2	F739 H13
2460 I11	F740 G13
2463 F11	F741 F12
2464 E8	F742 G11
2465 C8	F743 I13
2903 G7	F744 G9
2904 H17	F745 H11
2905 G5	F748 I12
2906 H5	F750 H3
3402 A6	F753 I13
3403 A4	H401 G7
3404 B4	H402 G6
3405 B5	
3407 B10	
3408 C7	
3409 C8	
3410 C3	
3411 A14	
3412 C4	
3413 D4	
3414 D4	
3415 D7	
3416 D8	
3418 E12	
3419 F11	
3420 F12	
3421 F11	
3422 F12	
3423 G12	
3424 G12	
3427 H12	
3428 H12	
3429 I12	
3432 I10	
3433 I12	
3434 I12	
3435 I11	
3436 I11	
3439 A13	
3441 A12	
3447 E3	
3448 F10	
3449 H10	
3450 H2	
3451 D4	
3452 B4	
3453 B3	
3454 E4	
3886 A3	
3891 D12	
3892 D12	
5401 F2	
5403 B8	
5404 G2	
5406 E7	
5407 E2	
5413 F5	
5414 F7	
5444 E13	
5445 H13	
5446 B1	
5447 D1	
6400 H2	
7401-A D3	
7401-B C3	
7401-C B3	
7405-A B8	

3104 123 4228.7

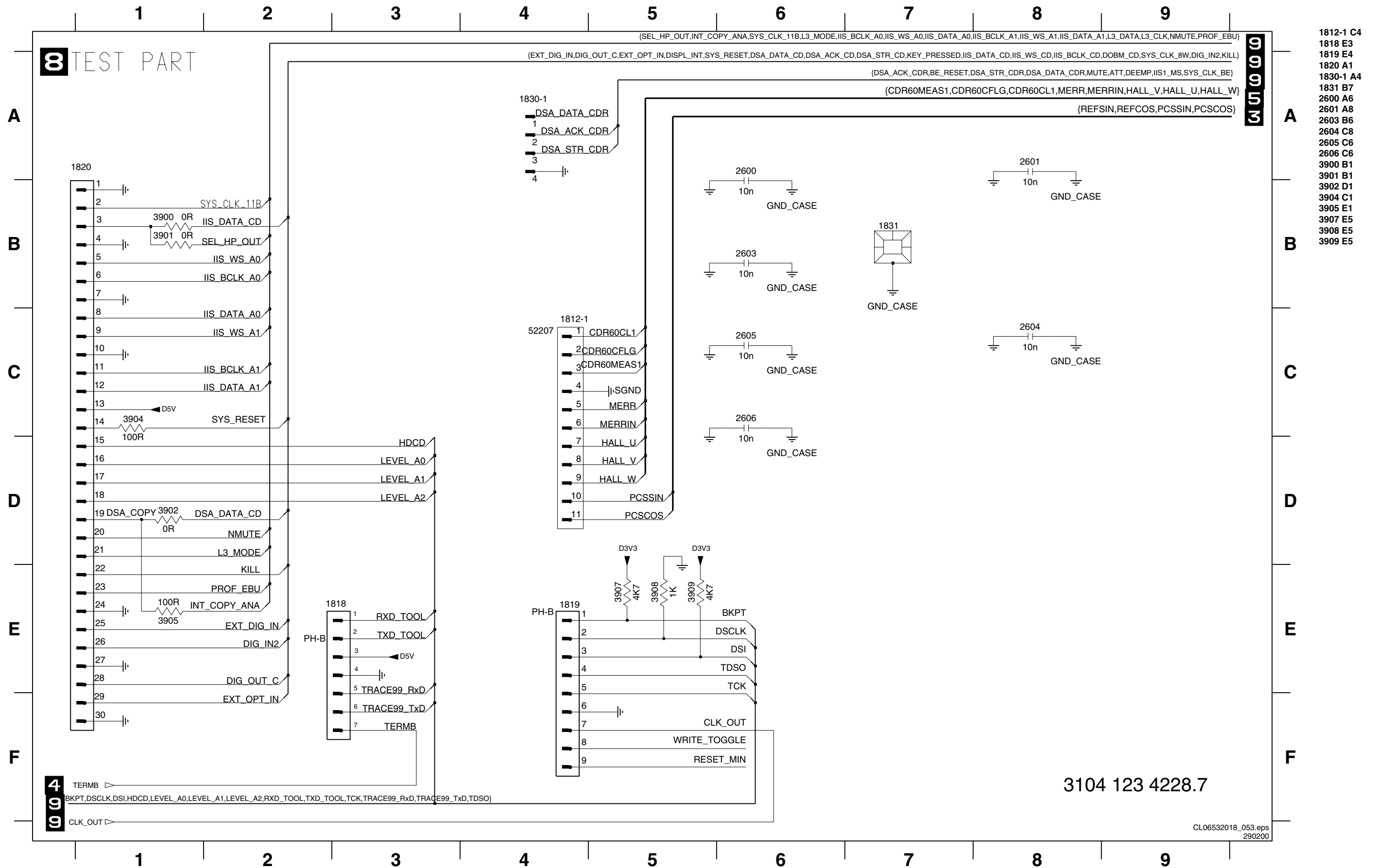
CL06532018_051.eps
290200

CDR MAIN BOARD - CIRCUIT DIAGRAM 7 : POWER PART TESTPOINTS



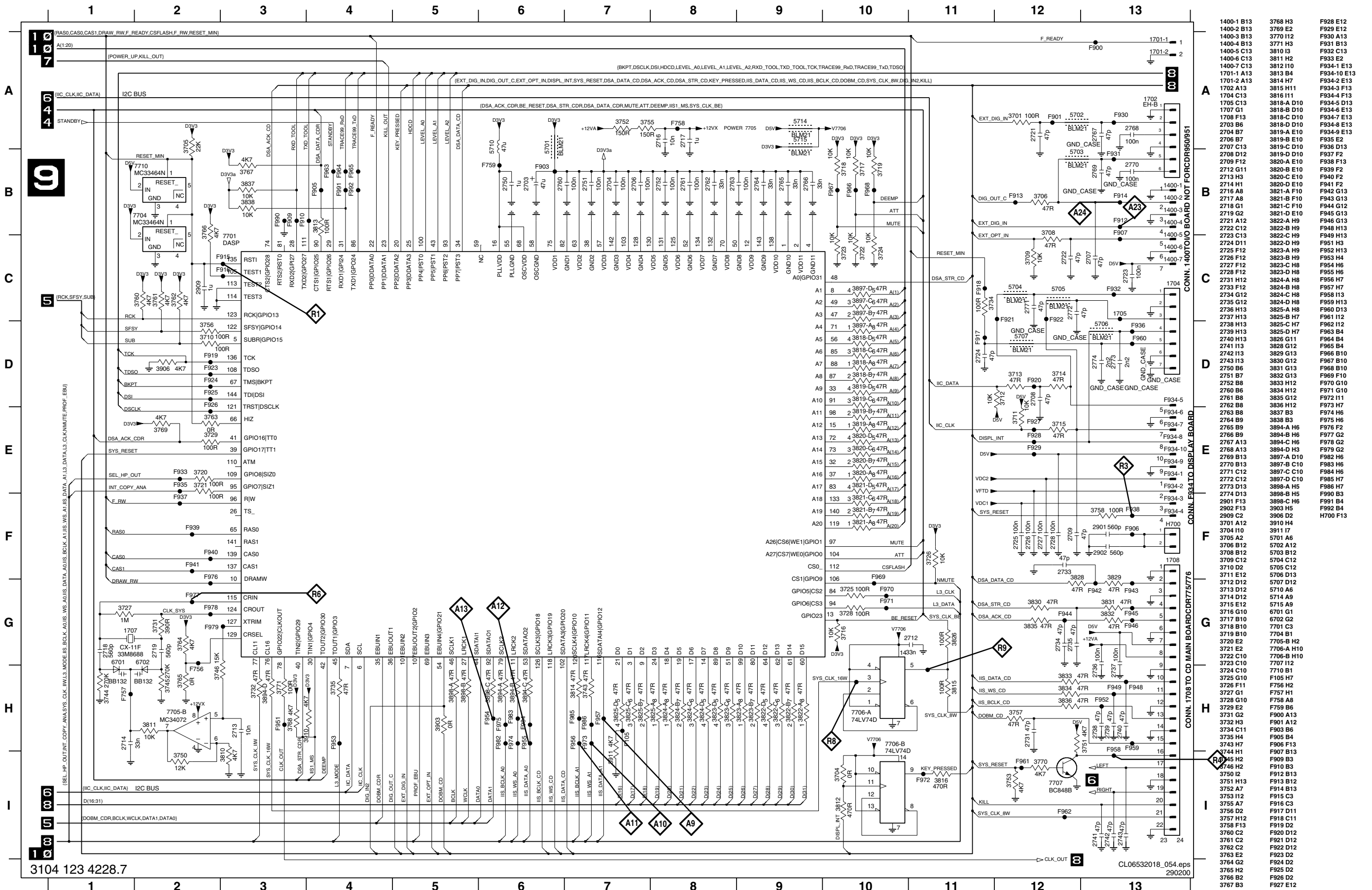
3104 123 4228.7

CL06532018_052.eps
290200



- 1812-1 C4
- 1818 E3
- 1819 E4
- 1820 A1
- 1830-1 A4
- 1831 B7
- 2600 A6
- 2601 A8
- 2603 B6
- 2604 C8
- 2605 C6
- 2606 C6
- 3900 B1
- 3901 B1
- 3902 D1
- 3904 C1
- 3905 E1
- 3907 E5
- 3908 E5
- 3909 E5

CDR MAIN BOARD - CIRCUIT DIAGRAM 9 : DASP MASTER PROCESSOR TESTPOINTS

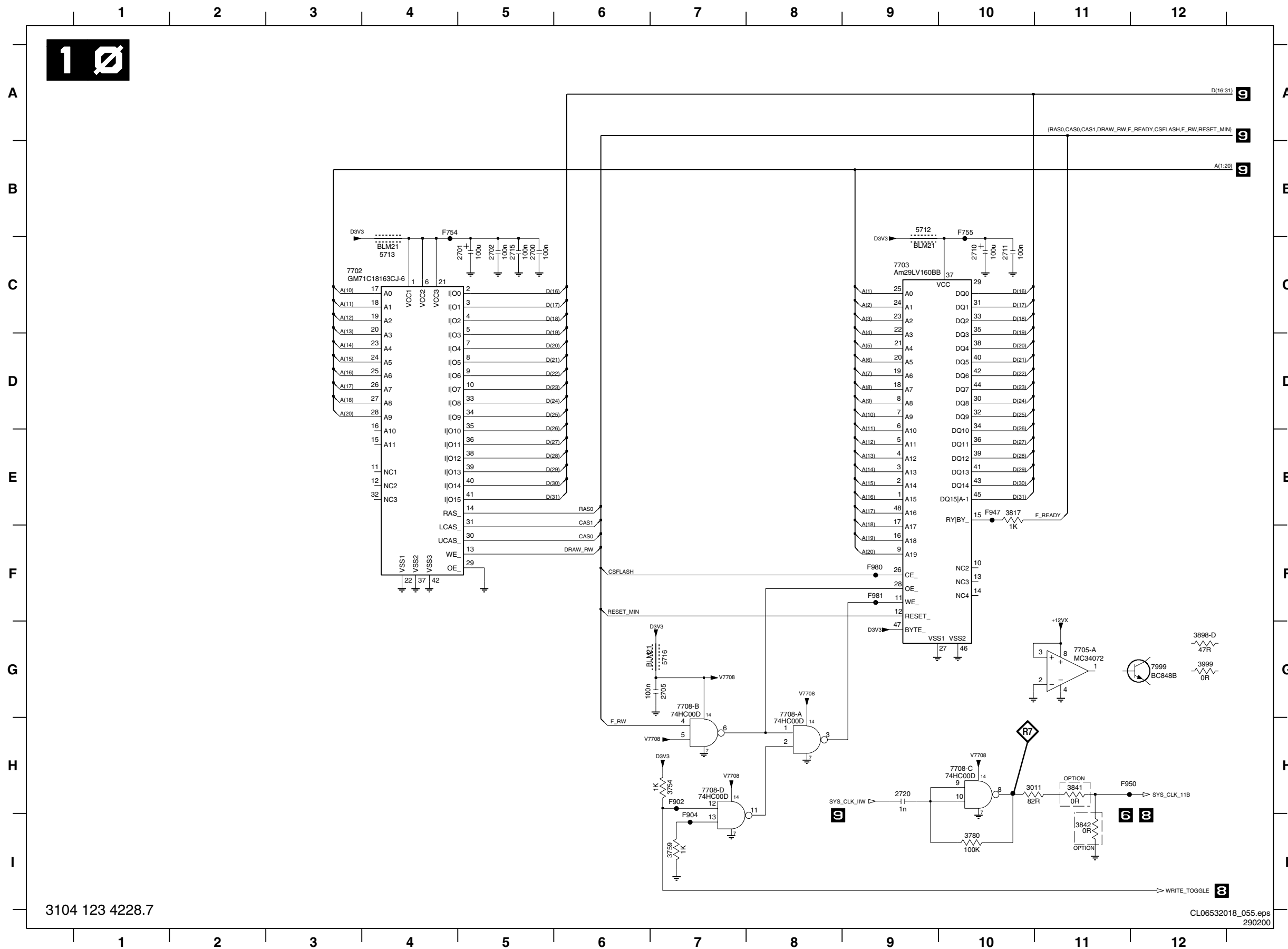


1400-1 B13	3768 H3	F928 E12
1400-2 B13	3769 E2	F929 E12
1400-3 B13	3770 I12	F930 A13
1400-4 B13	3771 H3	F931 B13
1400-5 C13	3810 I3	F932 C13
1400-6 C13	3811 H2	F933 E2
1400-7 C13	3812 I10	F934-1 E13
1701-1 A13	3813 B4	F934-10 E13
1701-2 A13	3814 H7	F934-2 E13
1702 A13	3815 H11	F934-3 F13
1704 C13	3816 I11	F934-4 F13
1705 C13	3818-A D10	F937 F2
1707 G1	3818-B D10	F938 F13
1708 F13	3818-C D10	F938-1 E13
2703 B6	3818-D D10	F938-2 E13
2704 B7	3819-A E10	F939 E2
2706 B7	3819-B E10	F939 E2
2707 C13	3819-C D10	F936 D13
2708 D12	3819-D D10	F937 F2
2709 F12	3820-A E10	F938 F13
2712 G11	3820-B E10	F939 F2
2713 H3	3820-C E10	F940 F2
2714 H1	3820-D E10	F941 F2
2716 A8	3821-A F10	F942 G13
2717 A8	3821-B F10	F943 G13
2718 G1	3821-C F10	F944 G12
2719 G2	3821-D E10	F945 G13
2721 A12	3822-A H9	F946 G13
2722 C12	3822-B H9	F948 H13
2723 C13	3822-C H9	F949 H13
2724 D11	3822-D H9	F951 H3
2725 F12	3823-A H9	F952 H4
2726 F12	3823-B H9	F953 H4
2727 F12	3823-C H8	F954 H6
2728 F12	3823-D H8	F955 H6
2731 H12	3824-A H8	F956 H7
2732 F12	3824-B H8	F957 H7
2734 G12	3824-C H8	F958 H13
2735 G12	3824-D H8	F959 H13
2736 H13	3825-A H8	F960 D13
2737 H13	3825-B H7	F961 I12
2738 H13	3825-C H7	F962 I12
2739 H13	3825-D H7	F963 B4
2740 H13	3826-G11	F964 B4
2741 I13	3828-G12	F965 B4
2742 I13	3829-G13	F966 B10
2743 I13	3830-G12	F967 B10
2750 B6	3831-G13	F968 B10
2751 B7	3832-G13	F969 F10
2752 B8	3833-H12	F970 G10
2760 B6	3834-H12	F971 G10
2761 B8	3835-G12	F972 I11
2762 B8	3836-H12	F973 H7
2763 B8	3837-B3	F974 H6
2764 B9	3838-B3	F975 H6
2765 B9	3894-A H6	F976 F2
2766 B9	3894-B H6	F977 G2
2767 A13	3894-C H6	F978 G2
2768 A13	3894-D H3	F979 G2
2769 B13	3897-A D10	F982 H6
2770 B13	3897-B C10	F983 H6
2771 C12	3897-C C10	F984 H6
2772 C12	3897-D C10	F985 H7
2773 D13	3898-A H5	F986 H7
2774 D13	3898-B H5	F990 B3
2901 F13	3898-C H6	F991 B4
2902 F13	3898-H5	F992 B4
2909 C2	3906 D2	H700 F13
3701 A12	3910 H4	
3704 I10	3911 I7	
3705 A2	5701 A6	
3706 B12	5702 A12	
3708 B12	5703 B12	
3709 C12	5704 C12	
3710 D2	5705 C12	
3711 E12	5706 D13	
3712 D12	5707 D12	
3713 D12	5710 A6	
3714 D12	5714 A9	
3715 E12	5715 A9	
3716 G10	6701 G1	
3717 B10	6702 G2	
3718 B10	7701 C3	
3719 B10	7704 B1	
3720 E2	7705-B H2	
3721 E2	7706-A H10	
3722 C10	7706-B H10	
3723 C10	7707 I12	
3724 C10	7710 B1	
3725 G10	F105 H7	
3726 F11	F756 H2	
3727 G1	F757 H1	
3728 G10	F758 A8	
3729 E2	F759 B6	
3730 A13	F900 A13	
3732 H3	F901 A12	
3733 H3	F903 B6	
3734 C11	F905 B4	
3735 H4	F906 F13	
3743 H7	F907 B13	
3744 H1	F909 B3	
3745 H2	F910 B3	
3746 H2	F912 B3	
3751 H13	F913 B12	
3752 A7	F914 B13	
3753 I12	F915 C3	
3755 A7	F916 C3	
3756 D2	F917 D11	
3757 H12	F918 C11	
3758 F13	F919 D2	
3760 D2	F920 D2	
3761 C2	F921 D12	
3762 C2	F922 D12	
3763 E2	F923 D2	
3764 G2	F924 D2	
3765 H2	F925 D2	
3766 B2	F926 D2	
3767 B3	F927 E12	

3104 123 4228.7

CL06532018_054.eps
290200

CDR MAIN BOARD - CIRCUIT DIAGRAM 10 : DASP FLASH & DRAM TESTPOINTS

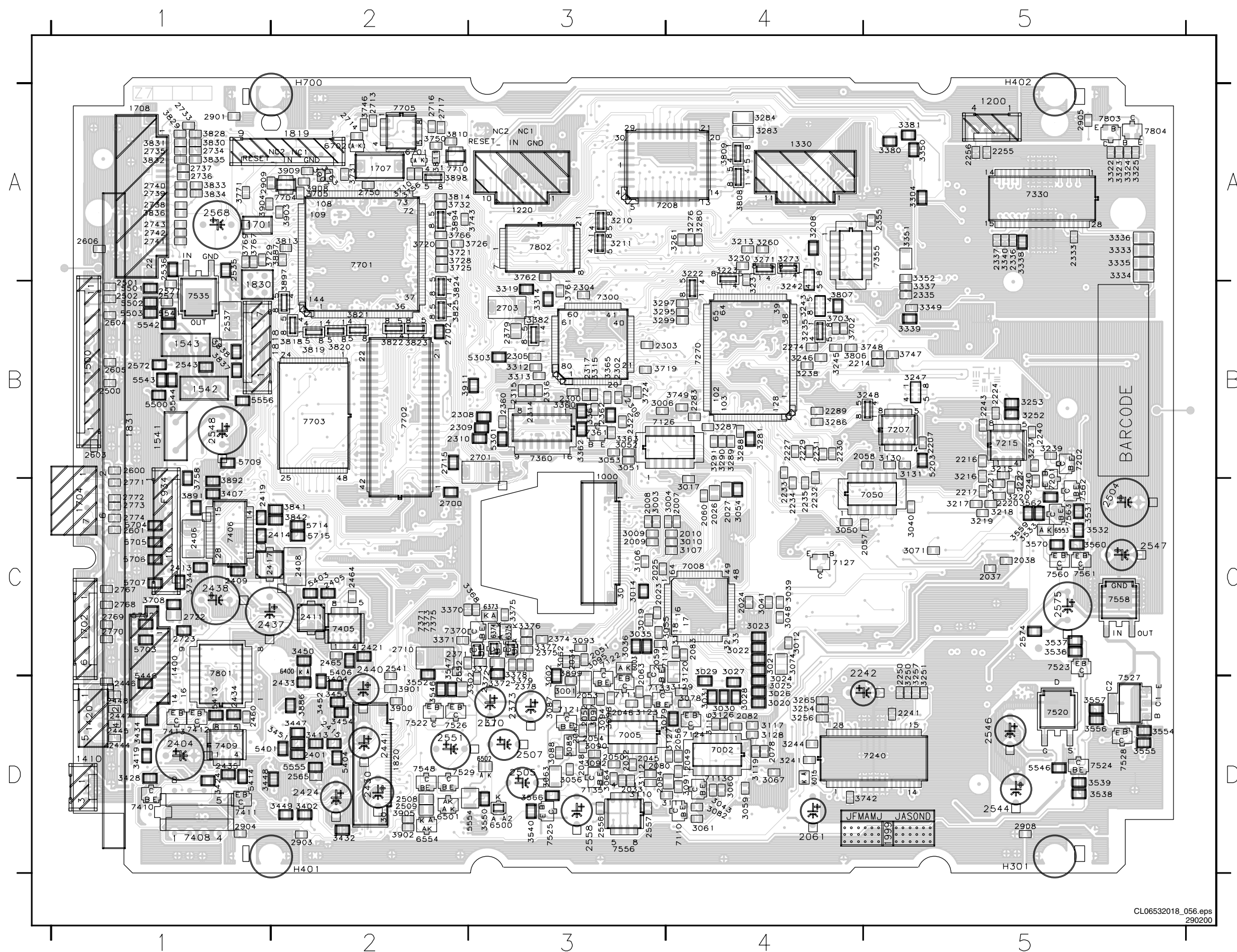


- 2700 C5
- 2701 C5
- 2702 C5
- 2705 G7
- 2710 C10
- 2711 C10
- 2715 C5
- 2720 H9
- 3011 H10
- 3754 H7
- 3759 I7
- 3780 I10
- 3817 E10
- 3841 H11
- 3842 I11
- 3898-D G12
- 3999 G12
- 5712 B9
- 5713 C4
- 5716 G7
- 7702 C3
- 7703 C9
- 7705-A G11
- 7708-A G8
- 7708-B G7
- 7708-C H10
- 7708-D H7
- 7999 G12
- F754 B4
- F755 B10
- F902 H7
- F904 I7
- F947 E10
- F950 H11
- F980 F9
- F981 F9

3104 123 4228.7

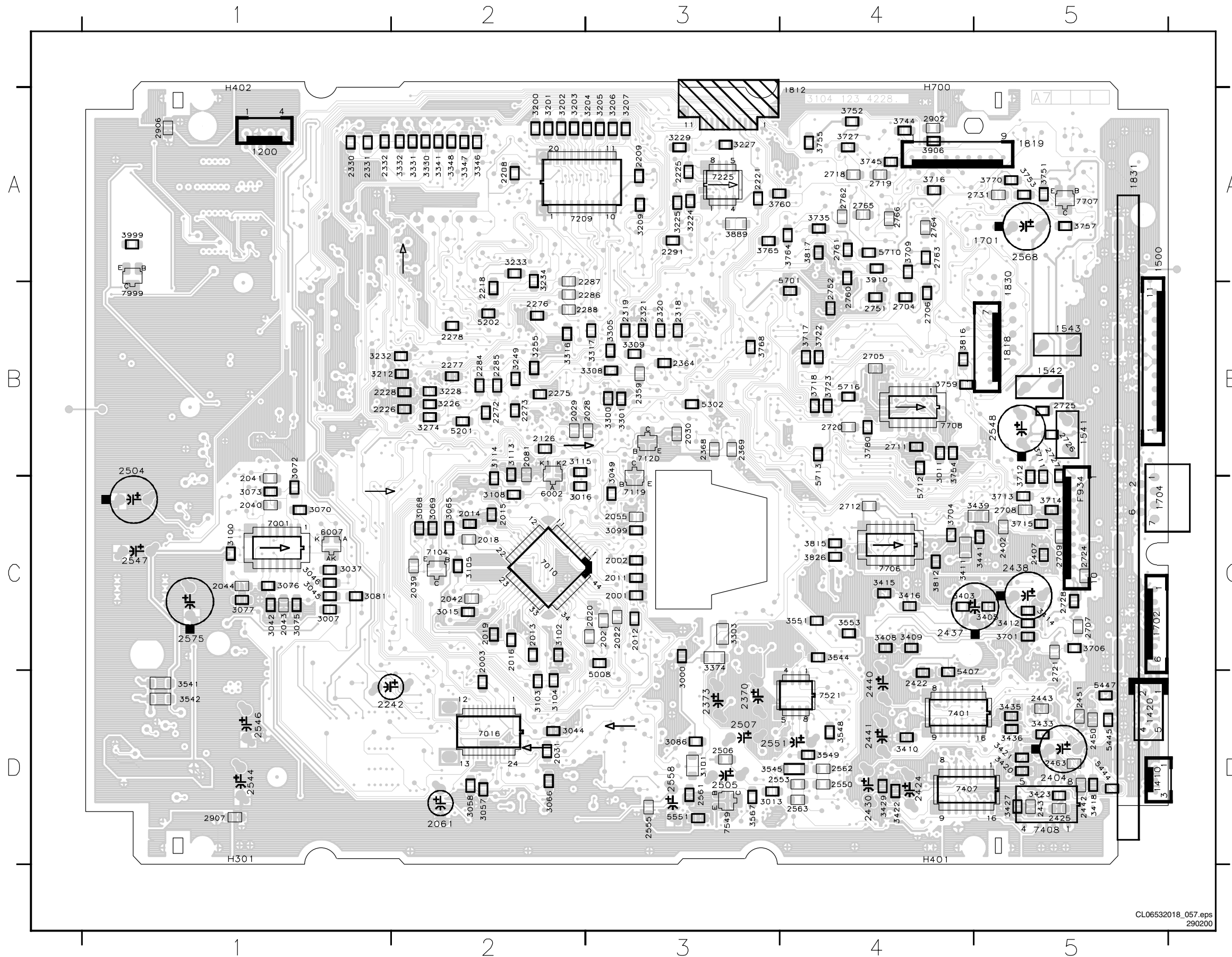
CL06532018_055.eps
290200

CDR MAIN BOARD .7 - TOP VIEW



7701 7702 7703 7704 7705 7706 7707 7708 7709 7710 7711 7712 7713 7714 7715 7716 7717 7718 7719 7720 7721 7722 7723 7724 7725 7726 7727 7728 7729 7730 7731 7732 7733 7734 7735 7736 7737 7738 7739 7740 7741 7742 7743 7744 7745 7746 7747 7748 7749 7750 7751 7752 7753 7754 7755 7756 7757 7758 7759 7760 7761 7762 7763 7764 7765 7766 7767 7768 7769 7770 7771 7772 7773 7774 7775 7776 7777 7778 7779 7780 7781 7782 7783 7784 7785 7786 7787 7788 7789 7790 7791 7792 7793 7794 7795 7796 7797 7798 7799 7800 7801 7802 7803 7804 7805 7806 7807 7808 7809 7810 7811 7812 7813 7814 7815 7816 7817 7818 7819 7820 7821 7822 7823 7824 7825 7826 7827 7828 7829 7830 7831 7832 7833 7834 7835 7836 7837 7838 7839 7840 7841 7842 7843 7844 7845 7846 7847 7848 7849 7850 7851 7852 7853 7854 7855 7856 7857 7858 7859 7860 7861 7862 7863 7864 7865 7866 7867 7868 7869 7870 7871 7872 7873 7874 7875 7876 7877 7878 7879 7880 7881 7882 7883 7884 7885 7886 7887 7888 7889 7890 7891 7892 7893 7894 7895 7896 7897 7898 7899 7900

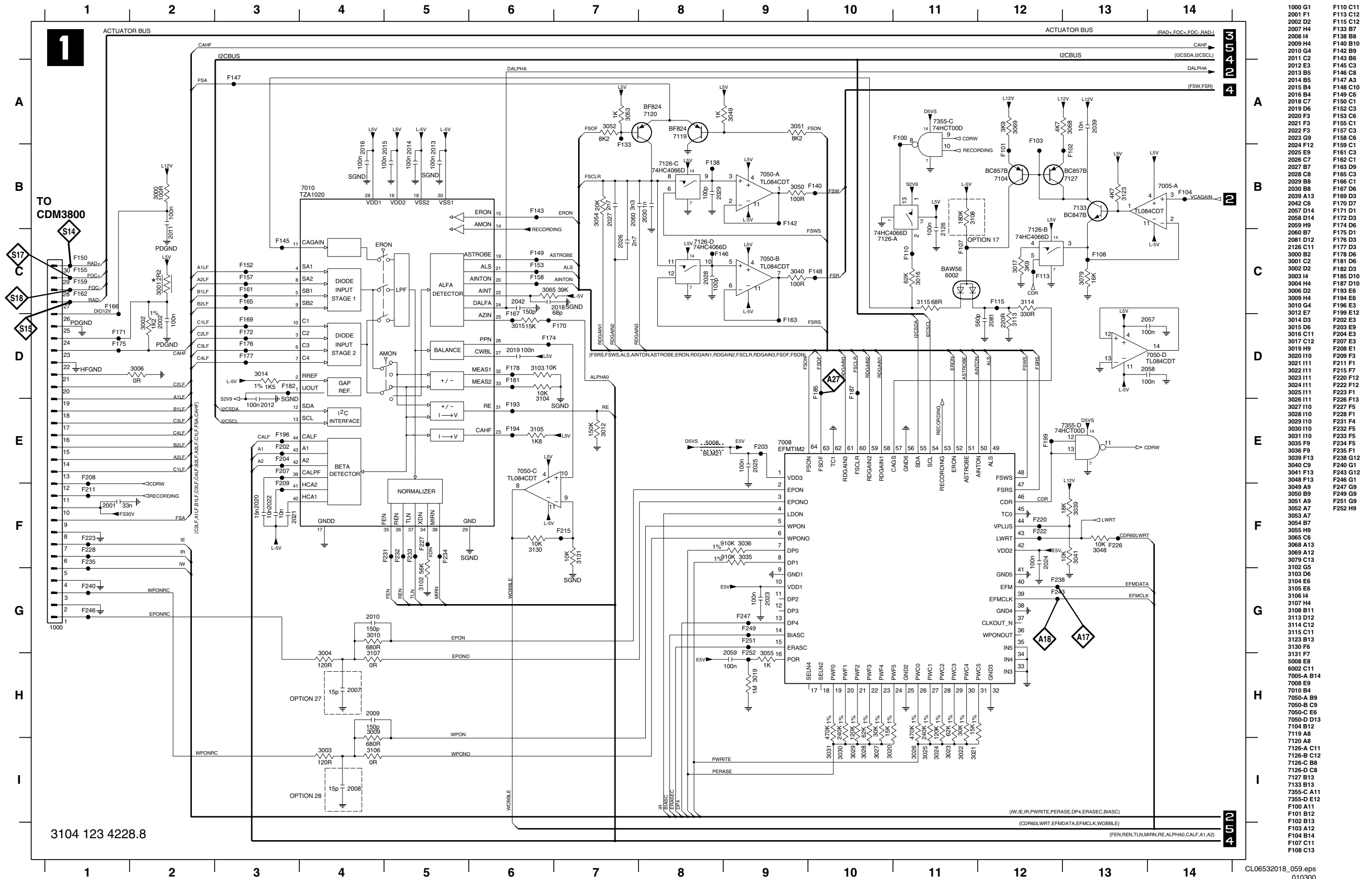
CDR MAIN BOARD .7 - BOTTOM VIEW



1812	D4
3752	C4
3755	C4
3727	C4
3744	A4
2902	A4
3906	A4
1819	A4
3770	A4
3753	A4
3751	A4
7707	A4
3757	A4
2568	A4
1701	A4
1830	A4
1543	A4
1542	A4
2725	A4
2726	A4
2727	A4
2728	A4
2729	A4
2730	A4
2731	A4
2732	A4
2733	A4
2734	A4
2735	A4
2736	A4
2737	A4
2738	A4
2739	A4
2740	A4
2741	A4
2742	A4
2743	A4
2744	A4
2745	A4
2746	A4
2747	A4
2748	A4
2749	A4
2750	A4
2751	A4
2752	A4
2753	A4
2754	A4
2755	A4
2756	A4
2757	A4
2758	A4
2759	A4
2760	A4
2761	A4
2762	A4
2763	A4
2764	A4
2765	A4
2766	A4
2767	A4
2768	A4
2769	A4
2770	A4
2771	A4
2772	A4
2773	A4
2774	A4
2775	A4
2776	A4
2777	A4
2778	A4
2779	A4
2780	A4
2781	A4
2782	A4
2783	A4
2784	A4
2785	A4
2786	A4
2787	A4
2788	A4
2789	A4
2790	A4
2791	A4
2792	A4
2793	A4
2794	A4
2795	A4
2796	A4
2797	A4
2798	A4
2799	A4
2800	A4
2801	A4
2802	A4
2803	A4
2804	A4
2805	A4
2806	A4
2807	A4
2808	A4
2809	A4
2810	A4
2811	A4
2812	A4
2813	A4
2814	A4
2815	A4
2816	A4
2817	A4
2818	A4
2819	A4
2820	A4
2821	A4
2822	A4
2823	A4
2824	A4
2825	A4
2826	A4
2827	A4
2828	A4
2829	A4
2830	A4
2831	A4
2832	A4
2833	A4
2834	A4
2835	A4
2836	A4
2837	A4
2838	A4
2839	A4
2840	A4
2841	A4
2842	A4
2843	A4
2844	A4
2845	A4
2846	A4
2847	A4
2848	A4
2849	A4
2850	A4
2851	A4
2852	A4
2853	A4
2854	A4
2855	A4
2856	A4
2857	A4
2858	A4
2859	A4
2860	A4
2861	A4
2862	A4
2863	A4
2864	A4
2865	A4
2866	A4
2867	A4
2868	A4
2869	A4
2870	A4
2871	A4
2872	A4
2873	A4
2874	A4
2875	A4
2876	A4
2877	A4
2878	A4
2879	A4
2880	A4
2881	A4
2882	A4
2883	A4
2884	A4
2885	A4
2886	A4
2887	A4
2888	A4
2889	A4
2890	A4
2891	A4
2892	A4
2893	A4
2894	A4
2895	A4
2896	A4
2897	A4
2898	A4
2899	A4
2900	A4

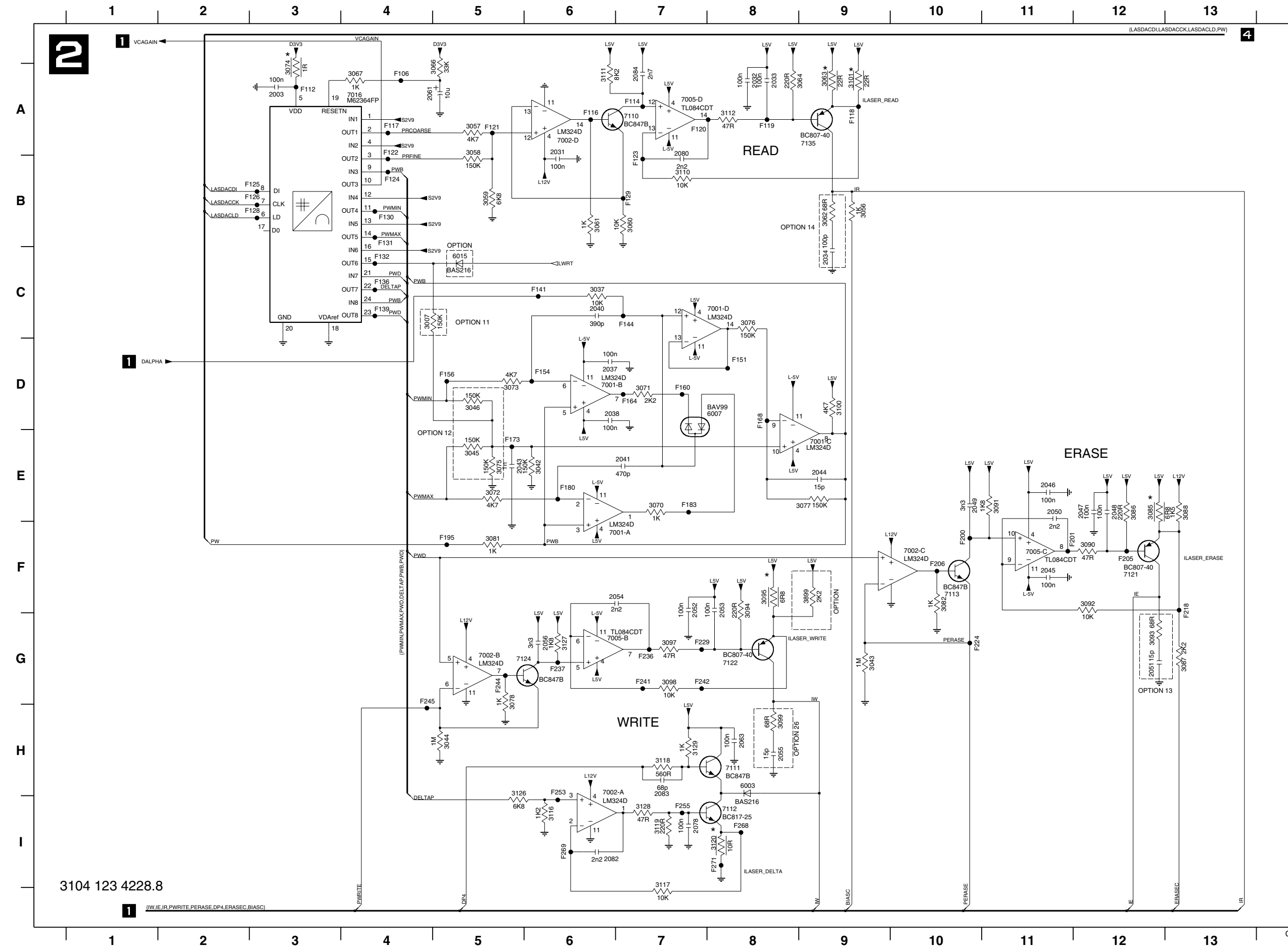
CDR-Mainboard Version 4228.8

CDR MAIN BOARD - CIRCUIT DIAGRAM 1 : AEGER, EFMTIM, FORWARD SENSE CIRCUIT TESTPOINTS



3104 123 4228.8

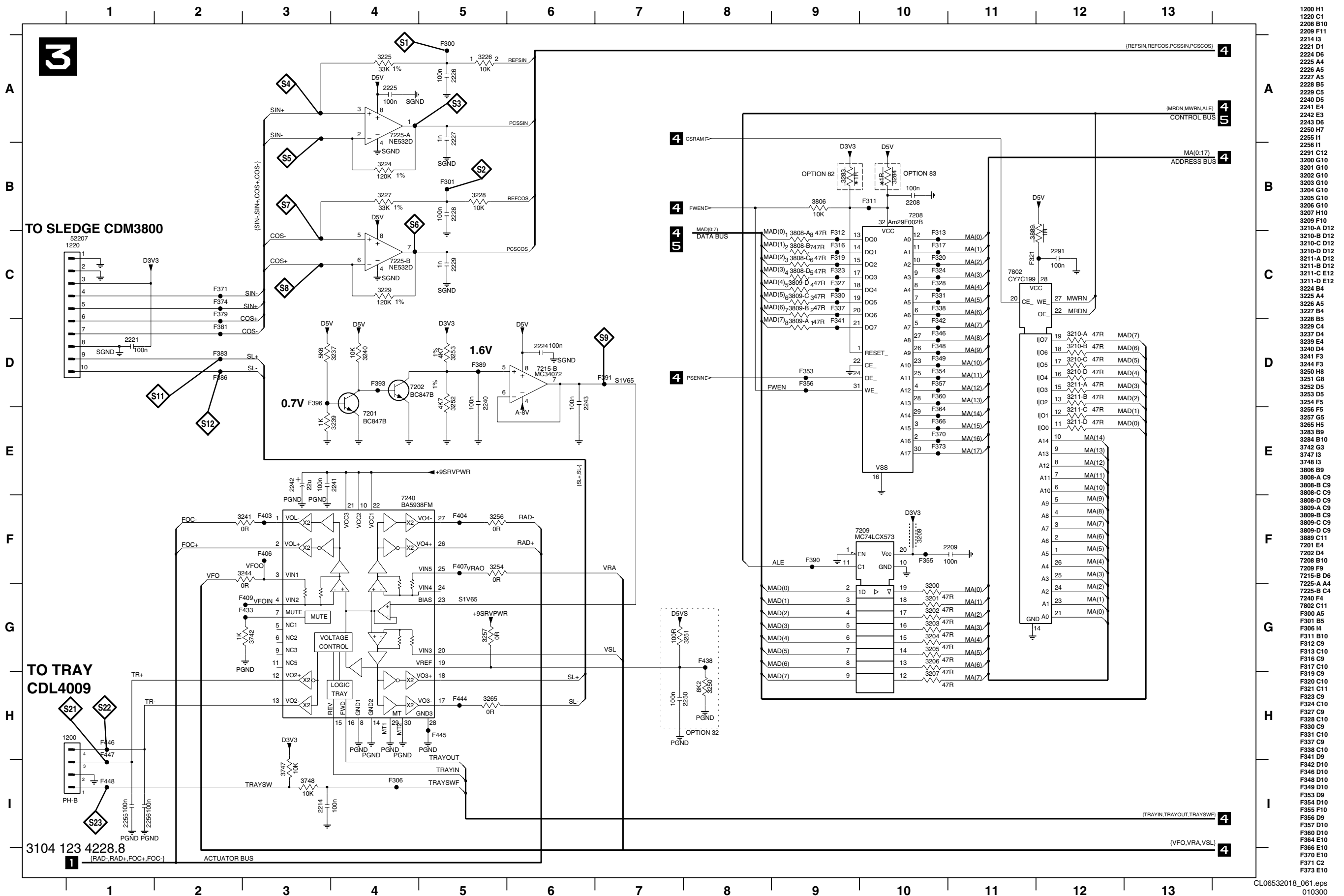
- 1000 G1
- 2001 F1
- 2002 D2
- 2007 H4
- 2008 I4
- 2009 H4
- 2010 G4
- 2011 C2
- 2012 E3
- 2014 B5
- 2013 B5
- 2014 B5
- 2015 B4
- 2016 B4
- 2018 C7
- 2019 D6
- 2020 F3
- 2021 F3
- 2022 F3
- 2023 G9
- 2024 F12
- 2025 E9
- 2026 C7
- 2027 B7
- 2028 C8
- 2029 B8
- 2030 B8
- 2039 A13
- 2042 C6
- 2057 D14
- 2058 D14
- 2059 H9
- 2060 B7
- 2081 D12
- 2126 C11
- 3000 B2
- 3001 C2
- 3002 D2
- 3003 I4
- 3004 H4
- 3005 E6
- 3009 H4
- 3010 G4
- 3012 E7
- 3014 D3
- 3015 D6
- 3016 C11
- 3017 C12
- 3019 H9
- 3020 I10
- 3021 I11
- 3022 I11
- 3023 I11
- 3024 I11
- 3025 I11
- 3026 I11
- 3027 F5
- 3028 I10
- 3029 I10
- 3030 I10
- 3031 I10
- 3035 F9
- 3036 F9
- 3039 F13
- 3040 C9
- 3041 F13
- 3048 F13
- 3049 A9
- 3050 B9
- 3051 A9
- 3052 A7
- 3053 A7
- 3054 B7
- 3055 H9
- 3065 C6
- 3068 A13
- 3069 A12
- 3079 C13
- 3102 G5
- 3103 D6
- 3104 E6
- 3105 E6
- 3106 I4
- 3107 H4
- 3108 B11
- 3113 D12
- 3114 C12
- 3115 C11
- 3123 B13
- 3130 F6
- 3131 F7
- 5008 E8
- 6002 C11
- 7005-A B14
- 7008 E9
- 7010 B4
- 7050-A B9
- 7050-B C9
- 7050-C E6
- 7050-D D13
- 7104 B12
- 7119 A8
- 7120 A8
- 7126-A C11
- 7126-B C12
- 7126-C B8
- 7126-D C8
- 7127 B13
- 7133 B13
- 7355-C A11
- 7355-D E12
- F100 A11
- F101 B12
- F102 B13
- F103 A12
- F104 B14
- F107 C11
- F108 C13
- F110 C11
- F111 C12
- F115 C12
- F116 C9
- F118 C8
- F119 A3
- F146 C8
- F147 A3
- F148 C10
- F149 C6
- F150 C1
- F152 C3
- F153 C6
- F155 C1
- F157 C3
- F158 C6
- F159 C1
- F161 C3
- F162 C1
- F163 D9
- F165 C3
- F166 C1
- F169 D3
- F170 D7
- F171 D1
- F172 D3
- F174 D6
- F175 D1
- F176 D3
- F177 D3
- F178 D6
- F181 D6
- F182 D3
- F185 D10
- F187 D10
- F193 E6
- F194 E6
- F196 E3
- F199 E12
- F202 E3
- F203 E9
- F204 E3
- F207 E3
- F208 E1
- F209 F3
- F211 F1
- F215 F7
- F220 F12
- F222 F12
- F223 F1
- F226 F13
- F227 F5
- F228 F1
- F231 F4
- F232 F5
- F233 F5
- F234 F5
- F235 F1
- F238 G12
- F240 G1
- F243 G12
- F246 G1
- F247 G9
- F249 G9
- F251 G9
- F252 H9



2003 A3	F120 A7
2031 A6	F121 A5
2032 A8	F122 A4
2033 A8	F123 B7
2034 C9	F124 B4
2037 D6	F125 B3
2038 D6	F126 B3
2040 C6	F128 B3
2041 E7	F129 B7
2043 E5	F130 B4
2044 E9	F131 B4
2045 F11	F132 C4
2046 E11	F136 C4
2047 E12	F139 C4
2048 E12	F141 C6
2049 E10	F144 C7
2050 E11	F151 D8
2051 G12	F154 D6
2052 F7	F156 D5
2053 F8	F160 D7
2054 F7	F164 D7
2055 H8	F168 D8
2056 G6	F173 E5
2061 A4	F180 E6
2063 H8	F183 E7
2078 I7	F195 F5
2080 B7	F200 F10
2082 I6	F201 F11
2083 H7	F205 F12
2084 A7	F206 F10
3007 C4	F218 F13
3037 C6	F224 G10
3042 E6	F229 G7
3043 G9	F236 G7
3044 H5	F237 G6
3045 E5	F241 G7
3046 D5	F242 G7
3056 B9	F244 G5
3057 A5	F245 G4
3058 A5	F253 H6
3059 B5	F255 I7
3060 B7	F268 I8
3061 B6	F269 I6
3062 B9	F271 I8
3063 A9	
3064 A8	
3066 A5	
3067 A4	
3070 E7	
3071 D7	
3072 E5	
3073 D5	
3074 A3	
3075 E5	
3076 C8	
3077 E9	
3078 G5	
3081 F5	
3082 F10	
3085 E12	
3086 E12	
3087 G13	
3088 E13	
3090 F12	
3091 E11	
3092 F12	
3093 G12	
3094 F8	
3095 F8	
3097 G7	
3098 G7	
3099 H8	
3100 D9	
3101 A9	
3110 B7	
3111 A6	
3112 A8	
3116 I6	
3117 I7	
3118 H7	
3119 I7	
3120 I6	
3126 H5	
3127 G6	
3128 I7	
3129 H7	
3899 F9	
6003 H8	
6007 D8	
6015 C5	
7001-A F6	
7001-B D6	
7001-C E9	
7001-D C8	
7002-A H6	
7002-B G5	
7002-C F10	
7002-D A6	
7005-B G6	
7005-C F11	
7005-D A7	
7016 A4	
7110 A7	
7111 H8	
7112 I8	
7113 F10	
7121 F12	
7122 G8	
7124 G5	
7135 A9	
F106 A4	
F112 A3	
F114 A7	
F116 A6	
F117 A4	
F118 A9	
F119 A8	

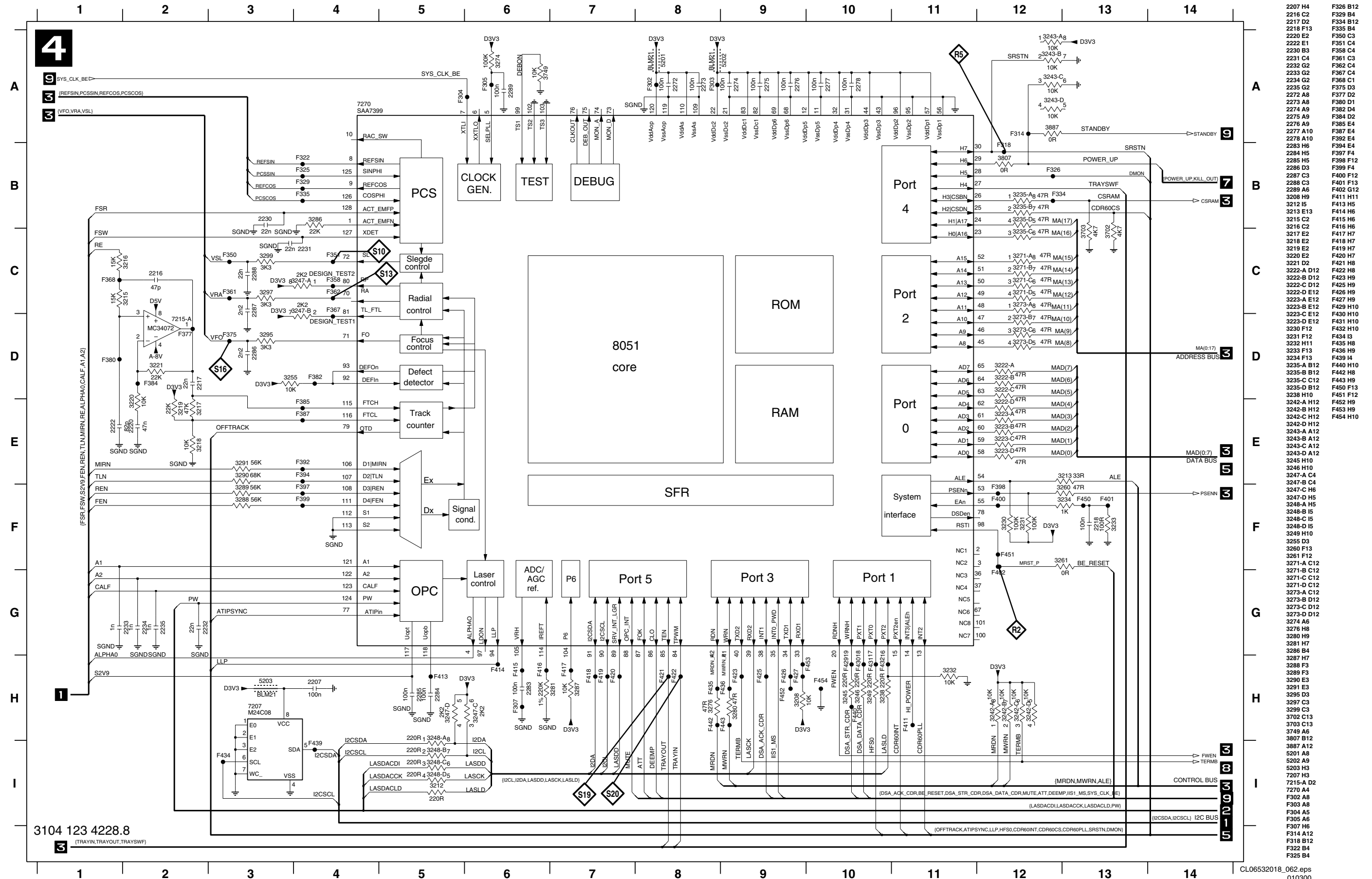
3104 123 4228.8

CDR MAIN BOARD - CIRCUIT DIAGRAM 3 : SERVO DRIVERS, MACE-RAM, -FLASH, -DEMUX TEST POINTS



- 1200 H1
- 1220 C1
- 2208 B10
- 2209 F11
- 2214 I3
- 2221 D1
- 2224 D6
- 2225 A4
- 2226 A5
- 2227 A5
- 2228 B5
- 2229 C5
- 2240 D5
- 2241 E4
- 2242 E3
- 2243 D6
- 2250 H7
- 2255 I1
- 2256 I1
- 2291 C12
- 3200 G10
- 3201 G10
- 3202 G10
- 3203 C10
- 3204 G10
- 3205 G10
- 3206 G10
- 3207 H10
- 3209 F10
- 3210-A D12
- 3210-B D12
- 3210-C D12
- 3210-D D12
- 3211-A D12
- 3211-B D12
- 3211-C E12
- 3211-D E12
- 3224 B4
- 3225 A4
- 3226 A5
- 3227 B4
- 3228 B5
- 3229 C4
- 3237 D4
- 3239 E4
- 3240 D4
- 3241 F3
- 3244 F3
- 3250 H8
- 3251 G8
- 3252 D5
- 3253 D5
- 3254 F5
- 3256 F5
- 3257 G5
- 3265 H5
- 3283 B9
- 3284 B10
- 3742 G3
- 3747 I3
- 3748 I3
- 3806 B9
- 3808-A C9
- 3808-B C9
- 3808-C C9
- 3808-D C9
- 3809-A C9
- 3809-B C9
- 3809-C C9
- 3809-D C9
- 3889 C11
- 7201 E4
- 7202 D4
- 7208 B10
- 7209 F9
- 7215-B D6
- 7225-A A4
- 7225-B C4
- 7240 F4
- 7802 C11
- F300 A5
- F301 B5
- F306 I4
- F311 B10
- F312 C9
- F313 C10
- F316 C9
- F317 C10
- F319 C9
- F320 C10
- F321 C11
- F323 C9
- F324 C10
- F327 C9
- F328 C10
- F330 C9
- F331 C10
- F337 C9
- F338 C10
- F341 D9
- F342 D10
- F346 D10
- F348 D10
- F349 D10
- F353 D9
- F354 D10
- F355 F10
- F356 D9
- F357 D10
- F360 D10
- F364 E10
- F366 E10
- F370 E10
- F371 C2
- F373 E10
- F374 C2
- F375 C2
- F381 D2
- F383 D2
- F386 D2
- F389 D5
- F390 F9
- F391 D7
- F393 D4
- F396 D3
- F403 F3
- F404 F5
- F406 F3
- F407 F5
- F409 G3
- F433 G3
- F438 G8
- F444 H5
- F445 H5
- F446 H1
- F447 H1
- F448 I1

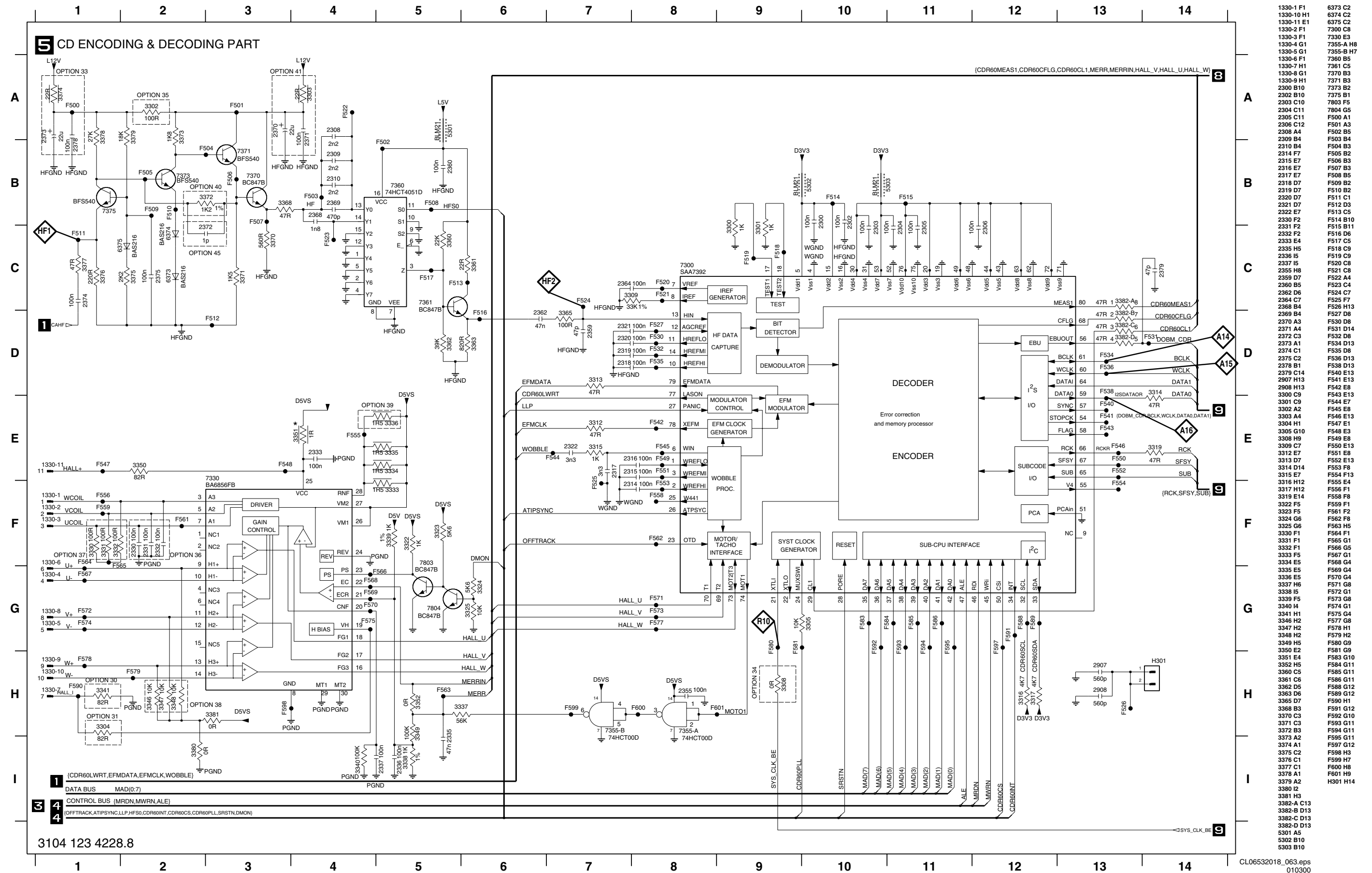
CDR MAIN BOARD - CIRCUIT DIAGRAM 4 : MACE BE-PROCESSOR TESTPOINTS



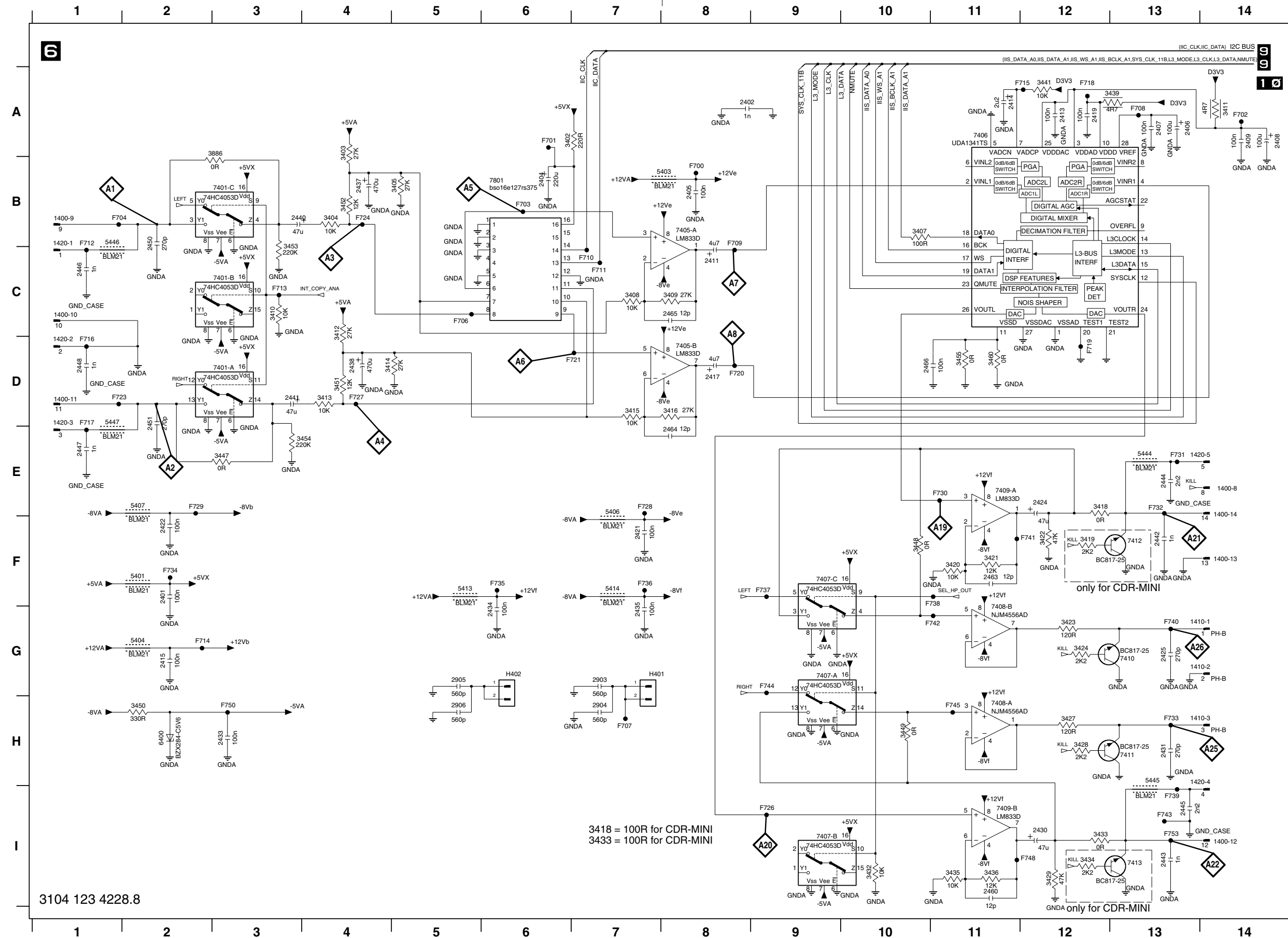
- 2207 H4
- 2216 C2
- 2217 D2
- 2218 F13
- 2220 E2
- 2222 E1
- 2230 B3
- 2231 C4
- 2232 G2
- 2233 G2
- 2234 G2
- 2235 G2
- 2272 A8
- 2273 A8
- 2274 A9
- 2275 A9
- 2276 A9
- 2277 A10
- 2278 A10
- 2283 H6
- 2284 H5
- 2285 H5
- 2286 D3
- 2287 C3
- 2288 C3
- 2289 A6
- 2288 H9
- 3212 I5
- 3213 E13
- 3215 H6
- 3216 C2
- 3217 E2
- 3218 E2
- 3219 E2
- 3220 E2
- 3221 D2
- 3222-A D12
- 3222-B D12
- 3222-C D12
- 3222-D E12
- 3223-A E12
- 3223-B E12
- 3223-C E12
- 3223-D E12
- 3230 F12
- 3231 F12
- 3232 H11
- 3233 F13
- 3234 F13
- 3235-A B12
- 3235-B B12
- 3235-C C12
- 3235-D B12
- 3238 H10
- 3242-A H12
- 3242-B H12
- 3242-C H12
- 3242-D H12
- 3243-A A12
- 3243-B A12
- 3243-C A12
- 3243-D A12
- 3245 H10
- 3246 H10
- 3247-A C4
- 3247-B C4
- 3247-C H6
- 3247-D H5
- 3248-A H5
- 3248-B I5
- 3248-C I5
- 3248-D I5
- 3249 H10
- 3255 D3
- 3260 F13
- 3261 F12
- 3271-A C12
- 3271-B C12
- 3271-C C12
- 3271-D C12
- 3273-A C12
- 3273-B D12
- 3273-C D12
- 3273-D D12
- 3274 A6
- 3276 H8
- 3280 H9
- 3281 H7
- 3286 B4
- 3287 H7
- 3288 F3
- 3289 F3
- 3290 E3
- 3291 E3
- 3295 D3
- 3297 C3
- 3299 C3
- 3702 C13
- 3703 C13
- 3749 A6
- 3807 B12
- 3887 A12
- 5201 A8
- 5202 A9
- 5203 H3
- 7207 H3
- 7215-A D2
- 7270 A4
- F302 A8
- F303 A8
- F304 A5
- F305 A6
- F307 H6
- F314 A12
- F318 B12
- F322 B4
- F325 B4
- F350 C3
- F351 C4
- F358 C4
- F361 C3
- F362 C4
- F367 C4
- F368 C1
- F375 D3
- F377 D2
- F380 D1
- F382 D4
- F384 D2
- F385 E4
- F387 E4
- F392 E4
- F394 E4
- F397 F4
- F398 F12
- F400 F12
- F401 F13
- F402 G12
- F411 H11
- F413 H5
- F414 H6
- F415 H6
- F416 H6
- F417 H7
- F418 H7
- F419 H7
- F420 H7
- F421 H8
- F422 H8
- F423 H9
- F425 H9
- F426 H9
- F427 H9
- F429 H10
- F430 H10
- F431 H10
- F432 H10
- F434 I3
- F435 H8
- F436 H9
- F439 I4
- F440 H10
- F442 H8
- F443 H9
- F450 F13
- F451 F12
- F452 H9
- F453 H9
- F454 H10

3104 123 4228.8

CDR MAIN BOARD - CIRCUIT DIAGRAM 5 : CD ENCODING-DECODING PART



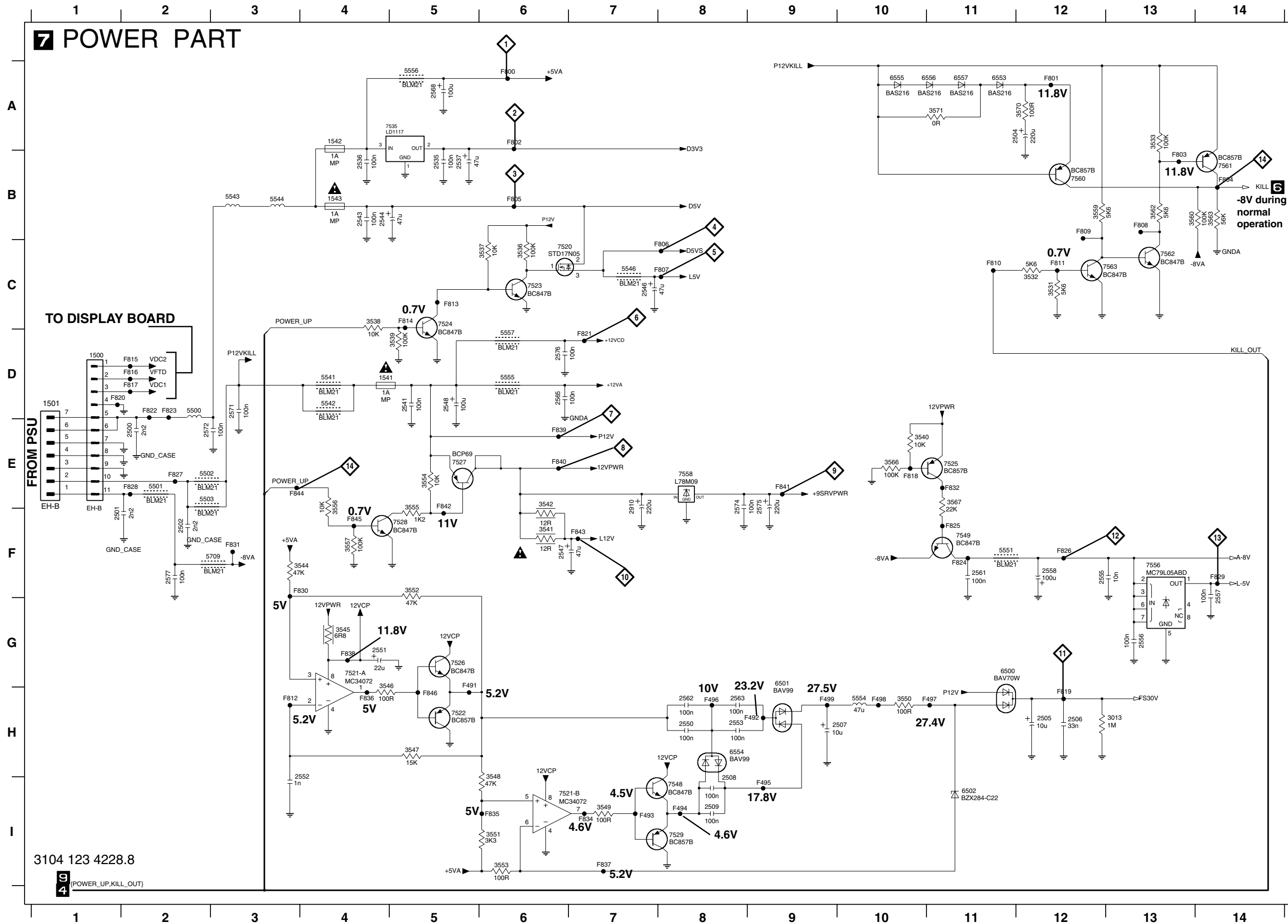
CDR MAIN BOARD - CIRCUIT DIAGRAM 6 : AUDIO PART (NOT FOR CDR950/951)



1400-10 C1	7405-B D8
1400-11 D1	7406 A11
1400-12 I14	7407-A G9
1400-13 F14	7407-B I9
1400-14 F14	7407-C F9
1400-5 E14	7408-A H11
1400-9 B1	7408-B G11
1410-1 G14	7409-A E11
1410-2 G14	7409-B I11
1410-3 H14	7410 G13
1420-1 B1	7411 H13
1420-2 D1	7412 F13
1420-3 D1	7413 H13
1420-4 H14	7801 B5
1420-5 E14	7700 B8
2401 F2	7701 A6
2402 A8	7702 A14
2404 B6	7703 B6
2405 B8	7704 B1
2406 A13	7705 C5
2407 A13	7707 H7
2408 A14	7708 A13
2409 A14	7709 B8
2411 C8	7710 C7
2413 A12	7711 C7
2414 A11	7712 B1
2415 G2	7713 C3
2417 D8	7714 G2
2419 A12	7715 A12
2421 F7	7716 D1
2422 F2	7717 D1
2424 E12	7718 A12
2425 G13	7719 D12
2430 I12	7720 D8
2431 H13	7721 D7
2433 H3	7723 D1
2434 G6	7724 B4
2435 G7	7725 G7
2437 B4	7727 D4
2438 D4	7728 E7
2440 B3	7729 E2
2441 D3	7730 E11
2442 F13	7731 E13
2443 I13	7732 E13
2444 E13	7733 H13
2445 I13	7734 F2
2446 C1	7735 F6
2447 E1	7736 F7
2448 D1	7737 F9
2450 B2	7738 F11
2451 D2	7739 I13
2460 I11	7740 G13
2463 F11	7741 F12
2464 E8	7742 G11
2465 C8	7743 I13
2466 D10	7744 G9
2903 G7	7745 H11
2904 H7	7746 H7
2905 G5	7750 H3
2906 H5	7753 I13
3402 A6	H401 G7
3403 A4	H402 G6
3404 B4	
3405 B5	
3407 B10	
3408 C7	
3409 C8	
3410 C3	
3411 A14	
3412 C4	
3413 D4	
3414 D4	
3415 D7	
3416 D8	
3418 E12	
3419 F12	
3420 F11	
3421 F11	
3422 F12	
3423 G12	
3424 G12	
3427 H12	
3428 H12	
3429 I12	
3432 I10	
3433 H12	
3434 I12	
3435 I11	
3436 I11	
3439 A13	
3441 A12	
3447 E3	
3448 F10	
3449 H10	
3450 H2	
3451 D4	
3452 B4	
3453 B3	
3454 E4	
3455 D11	
3459 D11	
3886 A3	
5401 F2	
5403 B8	
5404 G2	
5406 E7	
5407 E2	
5413 F5	
5414 F7	
5444 E13	
5445 H13	
5446 B1	
5447 D1	
6400 H2	
7401-A D3	
7401-B C3	
7401-C B3	
7405-A B8	

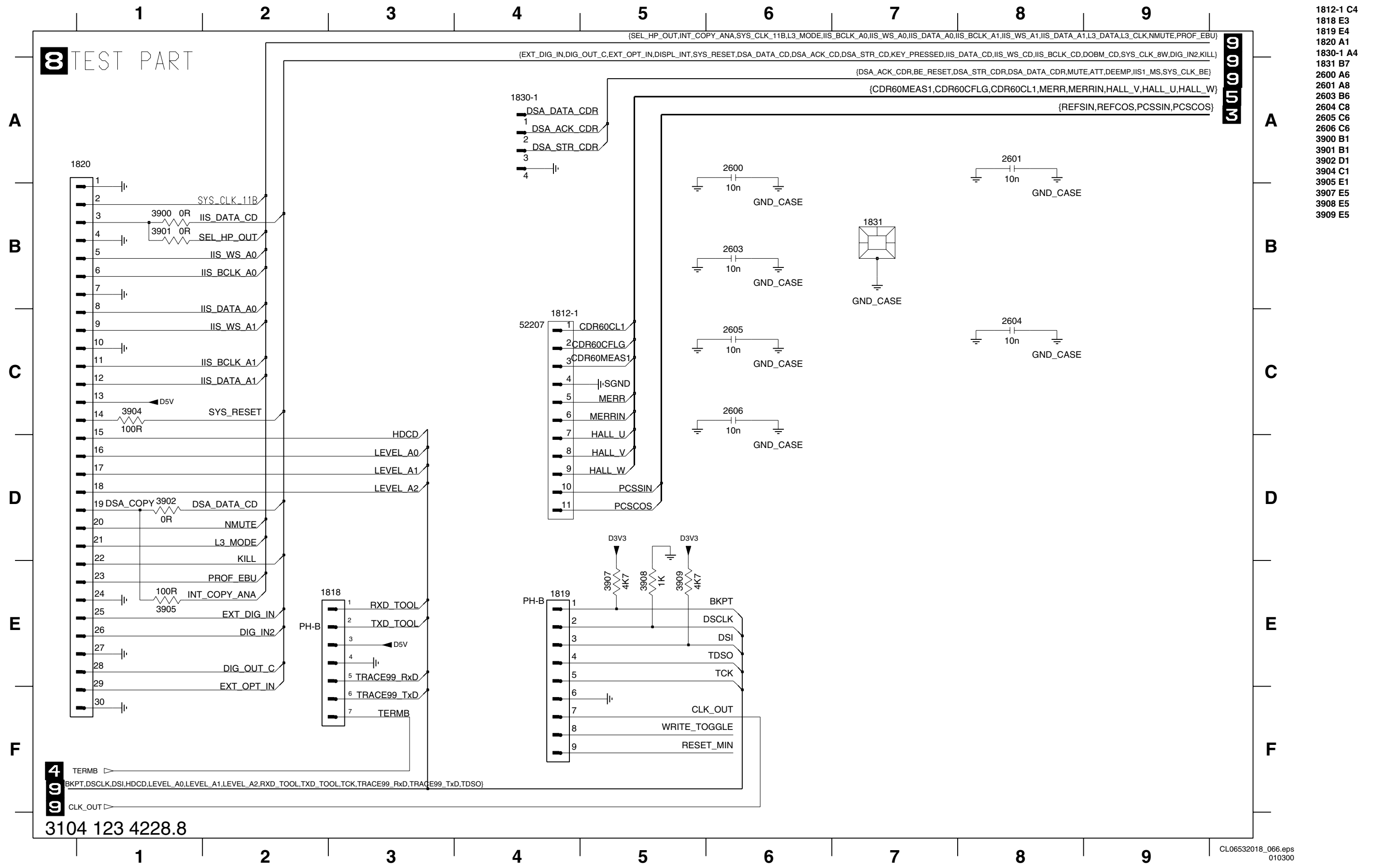
3104 123 4228.8

CDR MAIN BOARD - CIRCUIT DIAGRAM 7 : POWER PART TESTPOINTS



- 1500 D1
- 1541 D4
- 1542 A4
- 1543 B4
- 2500 E2
- 2501 F1
- 2502 F2
- 2504 A12
- 2505 H12
- 2506 H12
- 2507 H10
- 2508 I8
- 2509 I8
- 2535 B5
- 2536 B4
- 2537 B5
- 2541 D5
- 2543 B4
- 2544 B4
- 2546 C7
- 2547 F6
- 2548 D5
- 2550 H8
- 2551 G4
- 2552 H4
- 2553 H8
- 2555 F12
- 2556 G13
- 2557 F14
- 2558 F12
- 2561 F11
- 2562 H8
- 2563 H8
- 2565 D6
- 2568 A5
- 2571 D3
- 2572 E2
- 2574 E8
- 2575 E9
- 2576 D6
- 2577 F2
- 2910 E7
- 3013 H13
- 3531 C12
- 3532 C12
- 3533 A13
- 3536 C6
- 3537 C6
- 3538 C4
- 3539 D5
- 3540 E10
- 3541 F6
- 3542 E6
- 3544 F4
- 3545 G4
- 3546 H4
- 3547 H5
- 3548 H6
- 3549 I7
- 3550 H10
- 3551 I6
- 3552 F5
- 3553 I6
- 3554 E5
- 3555 F5
- 3556 E4
- 3557 F4
- 3559 B12
- 3560 B13
- 3562 B13
- 3563 B14
- 3566 E10
- 3567 E11
- 3570 A12
- 3571 A11
- 5500 D2
- 5501 E2
- 5502 E2
- 5503 E2
- 5541 D4
- 5542 D4
- 5543 B3
- 5544 B3
- 5546 C7
- 5551 F11
- 5554 H10
- 5555 D6
- 5556 A5
- 5557 D6
- 5709 F3
- 6500 G11
- 6501 G9
- 6502 I11
- 6553 A11
- 6554 H8
- 6555 A10
- 6556 A11
- 6557 A11
- 7520 C6
- 7521-A G4
- 7521-B I6
- 7522 H5
- 7523 C6
- 7524 C5
- 7525 E11
- 7526 G5
- 7527 E5
- 7528 F5
- 7529 I8
- 7535 A4
- 7548 I8
- 7549 F11
- 7556 F13
- 7558 E8
- 7560 B12
- 7561 B14
- 7562 C13
- 7563 C12
- F491 H5
- F492 H9
- F493 I7
- F494 I8
- F495 I9
- F496 H8
- F497 H11
- F498 H10
- F499 H9
- F800 A6
- F801 A12
- F802 A6
- F803 B13
- F804 B14
- F805 B6
- F806 C8
- F807 C8
- F808 B13
- F809 B12
- F810 C11
- F811 C12
- F812 H3
- F813 C5
- F814 C5
- F815 D2
- F816 D2
- F817 D2
- F818 H12
- F819 H12
- F820 D1
- F821 D7
- F822 D2
- F823 D2
- F824 F11
- F825 F11
- F826 F12
- F827 E2
- F828 E2
- F829 F14
- F830 F4
- F831 F3
- F832 E11
- F834 I7
- F835 I6
- F836 H4
- F837 I7
- F838 G4
- F839 E6
- F840 E6
- F841 E9
- F842 F5
- F843 F7
- F844 E3
- F845 F4
- F846 H5

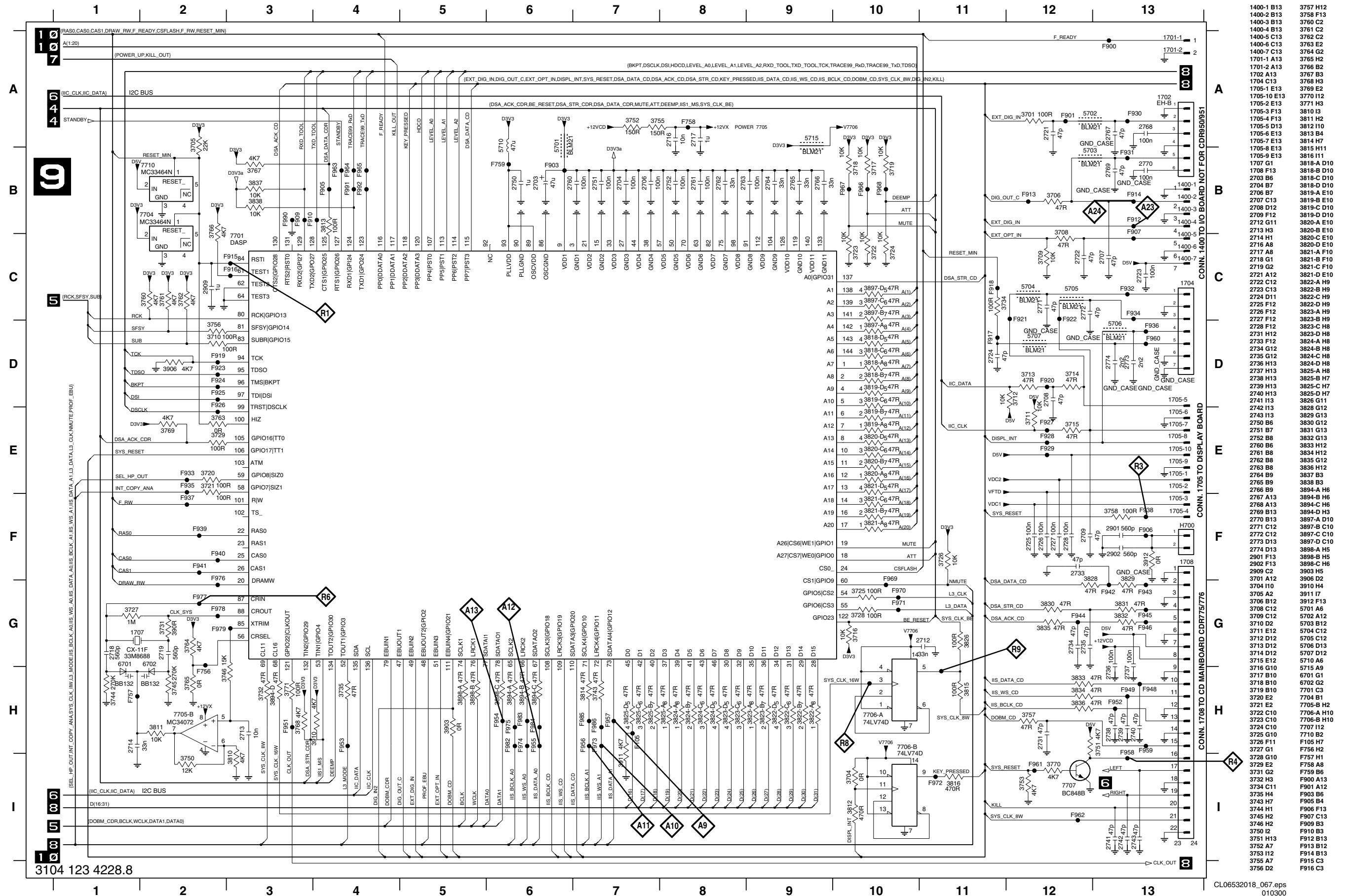
3104 123 4228.8



- 1812-1 C4
- 1818 E3
- 1819 E4
- 1820 A1
- 1830-1 A4
- 1831 B7
- 2600 A6
- 2601 A8
- 2603 B6
- 2604 C8
- 2605 C6
- 2606 C6
- 3900 B1
- 3901 B1
- 3902 D1
- 3904 C1
- 3905 E1
- 3907 E5
- 3908 E5
- 3909 E5

3104 123 4228.8

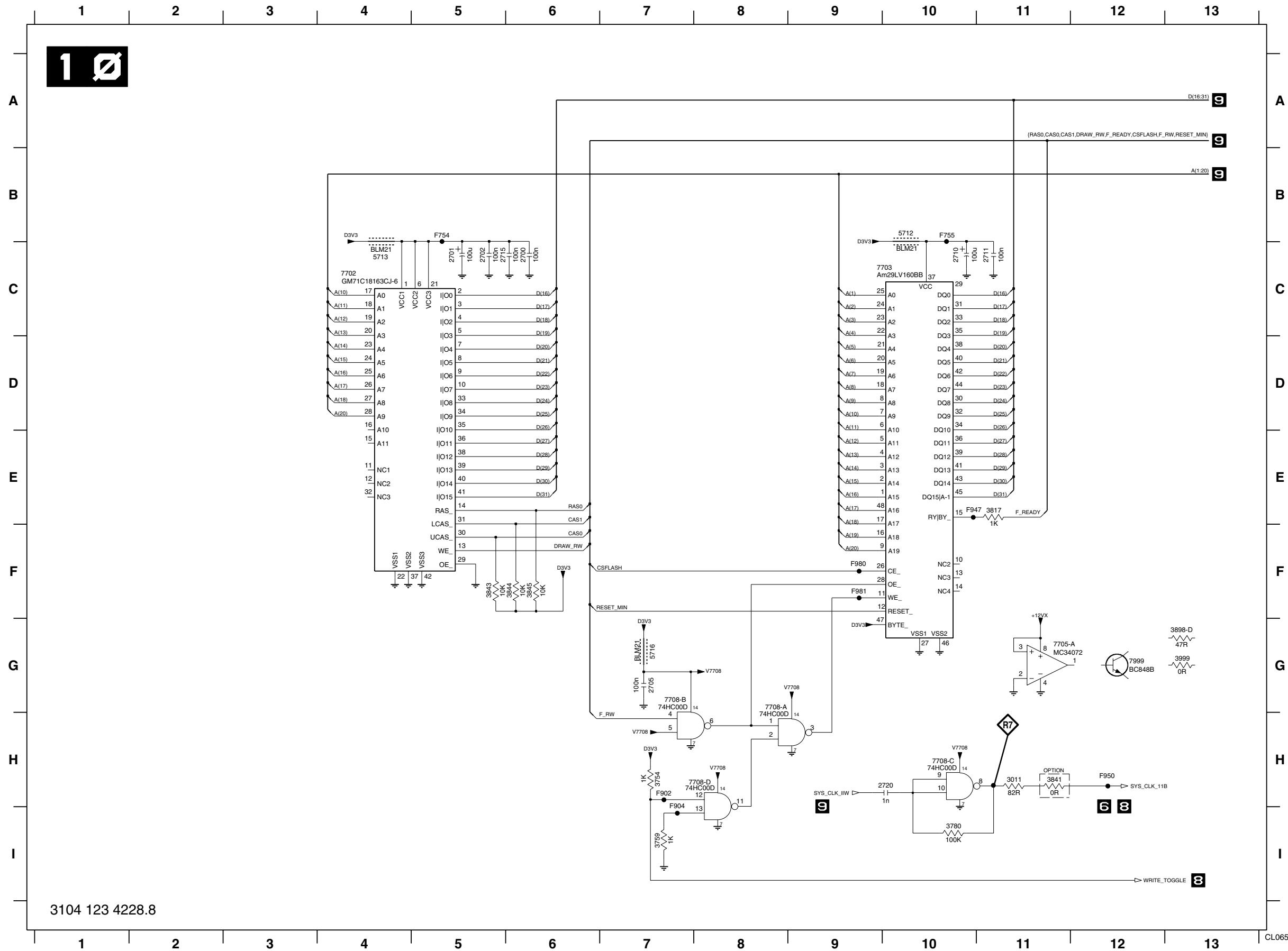
CDR MAIN BOARD - CIRCUIT DIAGRAM 9 : DASP MASTER PROCESSOR TESTPOINTS



- 1400-1 B13
- 1400-2 B13
- 1400-3 B13
- 1400-4 B13
- 1400-5 C13
- 1400-6 C13
- 1400-7 C13
- 1701-1 A13
- 1701-2 A13
- 1702 A13
- 1704 C13
- 1705-1 E13
- 1705-2 E13
- 1705-3 F13
- 1705-4 F13
- 1705-5 D13
- 1705-6 E13
- 1705-7 E13
- 1705-8 E13
- 1705-9 E13
- 1707 G1
- 1708 F13
- 2703 B6
- 2704 B7
- 2706 B7
- 2707 C13
- 2708 D12
- 2709 F12
- 2712 G11
- 2713 H3
- 2714 H1
- 2716 A8
- 2717 A8
- 2718 G1
- 2719 G2
- 2721 A12
- 2722 C12
- 2723 C13
- 2724 D11
- 2725 F12
- 2726 F12
- 2727 F12
- 2728 F12
- 2731 H12
- 2733 F12
- 2734 G12
- 2735 G12
- 2736 H13
- 2737 H13
- 2738 H13
- 2739 H13
- 2740 H13
- 2741 H13
- 2742 H13
- 2743 H13
- 2750 B6
- 2751 B7
- 2752 B8
- 2760 B6
- 2761 B8
- 2762 B8
- 2763 B8
- 2764 B9
- 2765 B9
- 2766 B9
- 2767 A13
- 2768 A13
- 2769 B13
- 2770 B13
- 2771 C12
- 2772 C12
- 2773 D13
- 2774 D13
- 2901 F13
- 2902 F13
- 2909 C2
- 3701 A12
- 3704 H10
- 3705 A2
- 3706 B12
- 3708 C12
- 3709 C12
- 3710 D2
- 3711 E12
- 3712 D12
- 3713 D12
- 3714 D12
- 3715 E12
- 3716 G10
- 3717 B10
- 3718 B10
- 3719 B10
- 3720 E2
- 3721 E2
- 3722 C10
- 3723 C10
- 3724 C10
- 3725 G10
- 3726 F11
- 3727 G1
- 3728 G10
- 3729 E2
- 3731 G2
- 3732 H3
- 3734 C11
- 3735 H4
- 3743 H7
- 3744 H1
- 3745 H2
- 3746 H2
- 3750 I2
- 3751 H13
- 3752 A7
- 3753 I2
- 3755 A7
- 3756 D2
- 3757 H12
- 3758 F13
- 3760 C2
- 3761 C2
- 3762 C2
- 3763 E2
- 3764 G2
- 3765 H2
- 3766 B2
- 3767 B3
- 3768 H3
- 3769 E2
- 3770 H2
- 3771 H2
- 3772 H2
- 3773 H3
- 3774 H3
- 3775 H3
- 3776 H3
- 3777 H3
- 3778 H3
- 3779 H3
- 3780 H3
- 3781 H3
- 3782-A H9
- 3782-B H9
- 3782-C H9
- 3782-D H9
- 3782-E H9
- 3782-F H9
- 3782-G H9
- 3782-H H9
- 3782-I H9
- 3782-J H9
- 3782-K H9
- 3782-L H9
- 3782-M H9
- 3782-N H9
- 3782-O H9
- 3782-P H9
- 3782-Q H9
- 3782-R H9
- 3782-S H9
- 3782-T H9
- 3782-U H9
- 3782-V H9
- 3782-W H9
- 3782-X H9
- 3782-Y H9
- 3782-Z H9
- 3783-A H9
- 3783-B H9
- 3783-C H9
- 3783-D H9
- 3783-E H9
- 3783-F H9
- 3783-G H9
- 3783-H H9
- 3783-I H9
- 3783-J H9
- 3783-K H9
- 3783-L H9
- 3783-M H9
- 3783-N H9
- 3783-O H9
- 3783-P H9
- 3783-Q H9
- 3783-R H9
- 3783-S H9
- 3783-T H9
- 3783-U H9
- 3783-V H9
- 3783-W H9
- 3783-X H9
- 3783-Y H9
- 3783-Z H9
- 3784-A H9
- 3784-B H9
- 3784-C H9
- 3784-D H9
- 3784-E H9
- 3784-F H9
- 3784-G H9
- 3784-H H9
- 3784-I H9
- 3784-J H9
- 3784-K H9
- 3784-L H9
- 3784-M H9
- 3784-N H9
- 3784-O H9
- 3784-P H9
- 3784-Q H9
- 3784-R H9
- 3784-S H9
- 3784-T H9
- 3784-U H9
- 3784-V H9
- 3784-W H9
- 3784-X H9
- 3784-Y H9
- 3784-Z H9
- 3785-A H8
- 3785-B H8
- 3785-C H8
- 3785-D H8
- 3785-E H8
- 3785-F H8
- 3785-G H8
- 3785-H H8
- 3785-I H8
- 3785-J H8
- 3785-K H8
- 3785-L H8
- 3785-M H8
- 3785-N H8
- 3785-O H8
- 3785-P H8
- 3785-Q H8
- 3785-R H8
- 3785-S H8
- 3785-T H8
- 3785-U H8
- 3785-V H8
- 3785-W H8
- 3785-X H8
- 3785-Y H8
- 3785-Z H8
- 3786-A H8
- 3786-B H8
- 3786-C H8
- 3786-D H8
- 3786-E H8
- 3786-F H8
- 3786-G H8
- 3786-H H8
- 3786-I H8
- 3786-J H8
- 3786-K H8
- 3786-L H8
- 3786-M H8
- 3786-N H8
- 3786-O H8
- 3786-P H8
- 3786-Q H8
- 3786-R H8
- 3786-S H8
- 3786-T H8
- 3786-U H8
- 3786-V H8
- 3786-W H8
- 3786-X H8
- 3786-Y H8
- 3786-Z H8
- 3787-A H7
- 3787-B H7
- 3787-C H7
- 3787-D H7
- 3787-E H7
- 3787-F H7
- 3787-G H7
- 3787-H H7
- 3787-I H7
- 3787-J H7
- 3787-K H7
- 3787-L H7
- 3787-M H7
- 3787-N H7
- 3787-O H7
- 3787-P H7
- 3787-Q H7
- 3787-R H7
- 3787-S H7
- 3787-T H7
- 3787-U H7
- 3787-V H7
- 3787-W H7
- 3787-X H7
- 3787-Y H7
- 3787-Z H7
- 3788-A H7
- 3788-B H7
- 3788-C H7
- 3788-D H7
- 3788-E H7
- 3788-F H7
- 3788-G H7
- 3788-H H7
- 3788-I H7
- 3788-J H7
- 3788-K H7
- 3788-L H7
- 3788-M H7
- 3788-N H7
- 3788-O H7
- 3788-P H7
- 3788-Q H7
- 3788-R H7
- 3788-S H7
- 3788-T H7
- 3788-U H7
- 3788-V H7
- 3788-W H7
- 3788-X H7
- 3788-Y H7
- 3788-Z H7
- 3789-A H6
- 3789-B H6
- 3789-C H6
- 3789-D H6
- 3789-E H6
- 3789-F H6
- 3789-G H6
- 3789-H H6
- 3789-I H6
- 3789-J H6
- 3789-K H6
- 3789-L H6
- 3789-M H6
- 3789-N H6
- 3789-O H6
- 3789-P H6
- 3789-Q H6
- 3789-R H6
- 3789-S H6
- 3789-T H6
- 3789-U H6
- 3789-V H6
- 3789-W H6
- 3789-X H6
- 3789-Y H6
- 3789-Z H6
- 3790-A H6
- 3790-B H6
- 3790-C H6
- 3790-D H6
- 3790-E H6
- 3790-F H6
- 3790-G H6
- 3790-H H6
- 3790-I H6
- 3790-J H6
- 3790-K H6
- 3790-L H6
- 3790-M H6
- 3790-N H6
- 3790-O H6
- 3790-P H6
- 3790-Q H6
- 3790-R H6
- 3790-S H6
- 3790-T H6
- 3790-U H6
- 3790-V H6
- 3790-W H6
- 3790-X H6
- 3790-Y H6
- 3790-Z H6
- 3791-A H6
- 3791-B H6
- 3791-C H6
- 3791-D H6
- 3791-E H6
- 3791-F H6
- 3791-G H6
- 3791-H H6
- 3791-I H6
- 3791-J H6
- 3791-K H6
- 3791-L H6
- 3791-M H6
- 3791-N H6
- 3791-O H6
- 3791-P H6
- 3791-Q H6
- 3791-R H6
- 3791-S H6
- 3791-T H6
- 3791-U H6
- 3791-V H6
- 3791-W H6
- 3791-X H6
- 3791-Y H6
- 3791-Z H6
- 3792-A H6
- 3792-B H6
- 3792-C H6
- 3792-D H6
- 3792-E H6
- 3792-F H6
- 3792-G H6
- 3792-H H6
- 3792-I H6
- 3792-J H6
- 3792-K H6
- 3792-L H6
- 3792-M H6
- 3792-N H6
- 3792-O H6
- 3792-P H6
- 3792-Q H6
- 3792-R H6
- 3792-S H6
- 3792-T H6
- 3792-U H6
- 3792-V H6
- 3792-W H6
- 3792-X H6
- 3792-Y H6
- 3792-Z H6
- 3793-A H6
- 3793-B H6
- 3793-C H6
- 3793-D H6
- 3793-E H6
- 3793-F H6
- 3793-G H6
- 3793-H H6
- 3793-I H6
- 3793-J H6
- 3793-K H6
- 3793-L H6
- 3793-M H6
- 3793-N H6
- 3793-O H6
- 3793-P H6
- 3793-Q H6
- 3793-R H6
- 3793-S H6
- 3793-T H6
- 3793-U H6
- 3793-V H6
- 3793-W H6
- 3793-X H6
- 3793-Y H6
- 3793-Z H6
- 3794-A H6
- 3794-B H6
- 3794-C H6
- 3794-D H6
- 3794-E H6
- 3794-F H6
- 3794-G H6
- 3794-H H6
- 3794-I H6
- 3794-J H6
- 3794-K H6
- 3794-L H6
- 3794-M H6
- 3794-N H6
- 3794-O H6
- 3794-P H6
- 3794-Q H6
- 3794-R H6
- 3794-S H6
- 3794-T H6
- 3794-U H6
- 3794-V H6
- 3794-W H6
- 3794-X H6
- 3794-Y H6
- 3794-Z H6
- 3795-A H6
- 3795-B H6
- 3795-C H6
- 3795-D H6
- 3795-E H6
- 3795-F H6
- 3795-G H6
- 3795-H H6
- 3795-I H6
- 3795-J H6
- 3795-K H6
- 3795-L H6
- 3795-M H6
- 3795-N H6
- 3795-O H6
- 3795-P H6
- 3795-Q H6
- 3795-R H6
- 3795-S H6
- 3795-T H6
- 3795-U H6
- 3795-V H6
- 3795-W H6
- 3795-X H6
- 3795-Y H6
- 3795-Z H6
- 3796-A H6
- 3796-B H6
- 3796-C H6
- 3796-D H6
- 3796-E H6
- 3796-F H6
- 3796-G H6
- 3796-H H6
- 3796-I H6
- 3796-J H6
- 3796-K H6
- 3796-L H6
- 3796-M H6
- 3796-N H6
- 3796-O H6
- 3796-P H6
- 3796-Q H6
- 3796-R H6
- 3796-S H6
- 3796-T H6
- 3796-U H6
- 3796-V H6
- 3796-W H6
- 3796-X H6
- 3796-Y H6
- 3796-Z H6
- 3797-A H6
- 3797-B H6
- 3797-C H6
- 3797-D H6
- 3797-E H6
- 3797-F H6
- 3797-G H6
- 3797-H H6
- 3797-I H6
- 3797-J H6
- 3797-K H6
- 3797-L H6
- 3797-M H6
- 3797-N H6
- 3797-O H6
- 3797-P H6
- 3797-Q H6
- 3797-R H6
- 3797-S H6
- 3797-T H6
- 3797-U H6
- 3797-V H6
- 3797-W H6
- 3797-X H6
- 3797-Y H6
- 3797-Z H6
- 3798-A H6
- 3798-B H6
- 3798-C H6
- 3798-D H6
- 3798-E H6
- 3798-F H6
- 3798-G H6
- 3798-H H6
- 3798-I H6
- 3798-J H6
- 3798-K H6
- 3798-L H6
- 3798-M H6
- 3798-N H6
- 3798-O H6
- 3798-P H6
- 3798-Q H6
- 3798-R H6
- 3798-S H6
- 3798-T H6
- 3798-U H6
- 3798-V H6
- 3798-W H6
- 3798-X H6
- 3798-Y H6
- 3798-Z H6
- 3799-A H6
- 3799-B H6
- 3799-C H6
- 3799-D H6
- 3799-E H6
- 3799-F H6
- 3799-G H6
- 3799-H H6
- 3799-I H6
- 3799-J H6
- 3799-K H6
- 3799-L H6
- 3799-M H6
- 3799-N H6
- 3799-O H6
- 3799-P H6
- 3799-Q H6
- 3799-R H6
- 3799-S H6
- 3799-T H6
- 3799-U H6
- 3799-V H6
- 3799-W H6
- 3799-X H6
- 3799-Y H6
- 3799-Z H6
- 3799-A H5
- 3799-B H5
- 3799-C H5
- 3799-D H5
- 3799-E H5
- 3799-F H5
- 3799-G H5
- 3799-H H5
- 3799-I H5
- 3799-J H5
- 3799-K H5
- 3799-L H5
- 3799-M H5
- 3799-N H5
- 3799-O H5
- 3799-P H5
- 3799-Q H5
- 3799-R H5
- 3799-S H5
- 3799-T H5
- 3799-U H5
- 3799-V H5
- 3799-W H5
- 3799-X H5
- 3799-Y H5
- 3799-Z H5
- 3799-A H4
- 3799-B H4
- 3799-C H4
- 3799-D H4
- 3799-E H4
- 3799-F H4
- 3799-G H4
- 3799-H H4
- 3799-I H4
- 3799-J H4
- 3799-K H4
- 3799-L H4
- 3799-M H4
- 3799-N H4
- 3799-O H4
- 3799-P H4
- 3799-Q H4
- 3799-R H4
- 3799-S H4
- 3799-T H4
- 3799-U H4
- 3799-V H4
- 3799-W H4
- 3799-X H4
- 3799-Y H4
- 3799-Z H4
- 3799-A H3
- 3799-B H3
- 3799-C H3
- 3799-D H3
- 3799-E H3
- 3799-F H3
- 3799-G H3
- 3799-H H3
- 3799-I H3
- 3799-J H3
- 3799-K H3
- 3799-L H3
- 3799-M H3
- 3799-N H3
- 3799-O H3
- 3799-P H3
- 3799-Q H3
- 3799-R H3
- 3799-S H3
- 3799-T H3
- 3799-U H3
- 3799-V H3
- 3799-W H3
- 3799-X H3
- 3799-Y H3
- 3799-Z H3
- 3799-A H2
- 3799-B H2
- 3799-C H2
- 3799-D H2
- 3799-E H2
- 3799-F H2
- 3799-G H2
- 3799-H H2
- 3799-I H2
- 3799-J H2
- 3799-K H2
- 3799-L H2
- 3799-M H2
- 3799-N H2
- 3799-O H2
- 3799-P H2
- 3799-Q H2
- 3799-R H2
- 3799-S H2
- 3799-T H2
- 3799-U H2
- 3799-V H2
- 3799-W H2
- 3799-X H2
- 3799-Y H2
- 3799-Z H2
- 3799-A H1
- 3799-B H1
- 3799-C H1
- 3799-D H1
- 3799-E H1
- 3799-F H1
- 3799-G H1
- 3799-H H1
- 3799-I H1
- 3799-J H1
- 3799-K H1
- 3799-L H1
- 3799-M H1
- 3799-N H1
- 3799-O H1
- 3799-P H1
- 3799-Q H1
- 3799-R H1
- 3799-S H1
- 3799-T H1
- 3799-U H1
- 3799-V H1
- 3799-W H1
- 3799-X H1
- 3799-Y H1
- 3799-Z H1
- 3799-A H0
- 3799-B H0
- 3799-C H0
- 3799-D H0
- 3799-E H0
- 3799-F H0
- 3799-G H0
- 3799-H H0
- 3799-I H0
- 3799-J H0
- 3799-K H0
- 3799-L H0
- 3799-M H0
- 3799-N H0
- 3799-O H0
- 3799-P H0
- 3799-Q H0
- 3799-R H0
- 3799-S H0
- 3799-T H0
- 3799-U H0
- 3799-V H0
- 3799-W H0
- 3799-X H0
- 3799-Y H0
- 3799-Z H0
- 3799-A H0
- 3799-B H0
- 3799-C H0
- 3799-D H0
- 3799-E H0
- 3799-F H0
- 3799-G H0
- 3799-H H0
- 3799-I H0
- 3799-J H0
- 3799-K H0
- 3799-L H0
- 3799-M H0
- 3799-N H0
- 3799-O H0
- 3799-P H0
- 3799-Q H0
- 3799-R H0
- 3799-S H0
- 3799-T H0
- 3799-U H0
- 3799-V H0
- 3799-W H0
- 3799-X H0
- 3799-Y H0
- 3799-Z H0

3104 123 4228.8

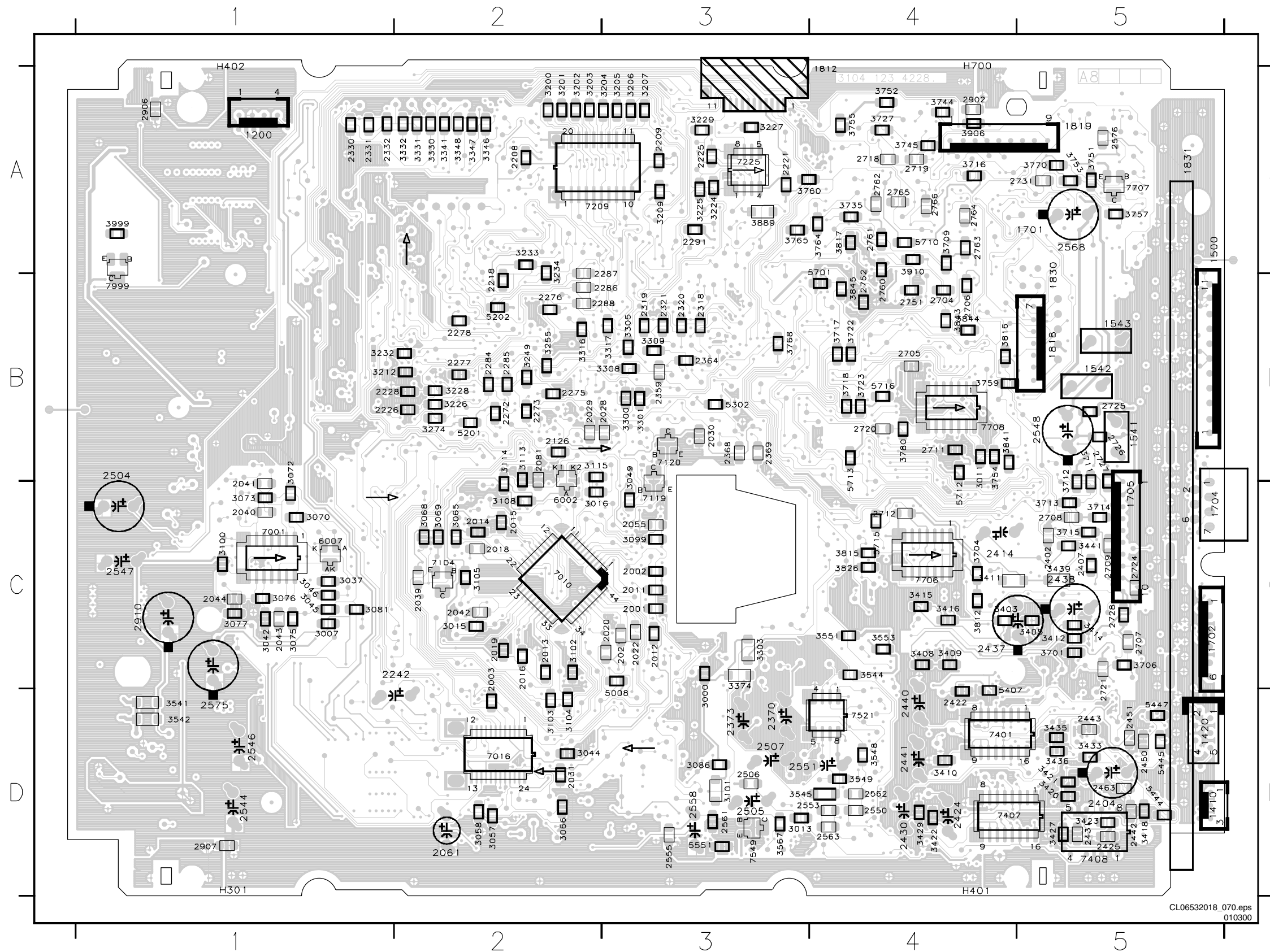
CDR MAIN BOARD - CIRCUIT DIAGRAM 10 : DASP FLASH & DRAM TESTPOINTS



- 2700 C6
- 2701 C5
- 2702 C5
- 2705 G7
- 2710 C10
- 2711 C11
- 2715 C5
- 2720 H10
- 3011 H11
- 3754 H7
- 3759 I7
- 3780 H10
- 3817 E11
- 3841 H11
- 3843 F5
- 3844 F6
- 3845 F6
- 3898-D G13
- 3999 G13
- 5712 B10
- 5713 C4
- 5716 G7
- 7702 C4
- 7703 C9
- 7705-A G11
- 7708-A G8
- 7708-B G7
- 7708-C H10
- 7708-D H7
- 7999 G12
- F754 B5
- F755 B10
- F902 H7
- F904 I7
- F947 E10
- F950 H12
- F980 F9
- F981 F9

3104 123 4228.8

CDR MAIN BOARD .8 - BOTTOM VIEW

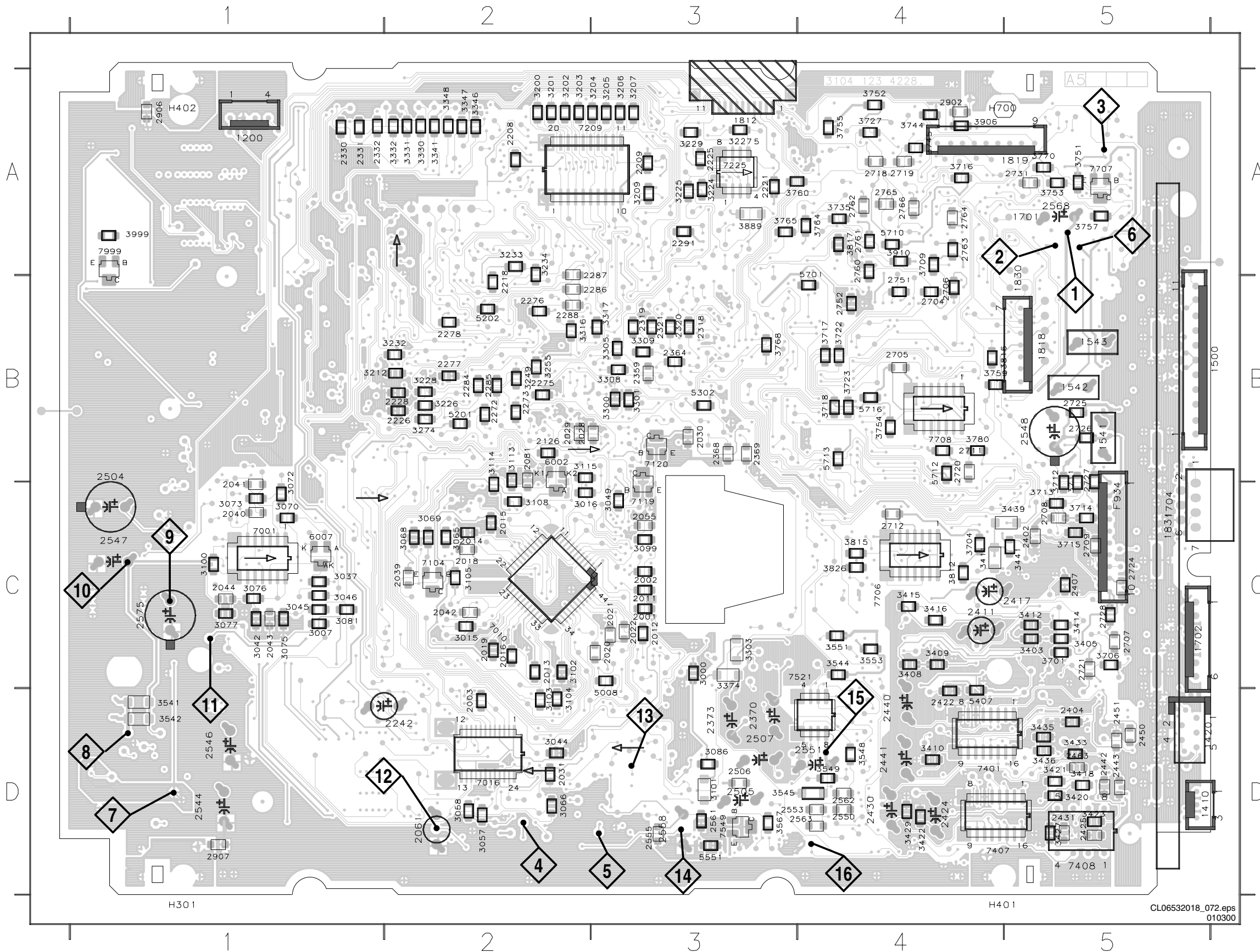


CL06532018_070.eps
010300

271	272	273	274	275	276	277	278	279	280	281	282	283	284	285	286	287	288	289	290	291	292	293	294	295	296	297	298	299	300	301	302	303	304	305	306	307	308	309	310	311	312	313	314	315	316	317	318	319	320	321	322	323	324	325	326	327	328	329	330	331	332	333	334	335	336	337	338	339	340	341	342	343	344	345	346	347	348	349	350	351	352	353	354	355	356	357	358	359	360	361	362	363	364	365	366	367	368	369	370	371	372	373	374	375	376	377	378	379	380	381	382	383	384	385	386	387	388	389	390	391	392	393	394	395	396	397	398	399	400	401	402	403	404	405	406	407	408	409	410	411	412	413	414	415	416	417	418	419	420	421	422	423	424	425	426	427	428	429	430	431	432	433	434	435	436	437	438	439	440	441	442	443	444	445	446	447	448	449	450	451	452	453	454	455	456	457	458	459	460	461	462	463	464	465	466	467	468	469	470	471	472	473	474	475	476	477	478	479	480	481	482	483	484	485	486	487	488	489	490	491	492	493	494	495	496	497	498	499	500	501	502	503	504	505	506	507	508	509	510	511	512	513	514	515	516	517	518	519	520	521	522	523	524	525	526	527	528	529	530	531	532	533	534	535	536	537	538	539	540	541	542	543	544	545	546	547	548	549	550	551	552	553	554	555	556	557	558	559	560	561	562	563	564	565	566	567	568	569	570	571	572	573	574	575	576	577	578	579	580	581	582	583	584	585	586	587	588	589	590	591	592	593	594	595	596	597	598	599	600	601	602	603	604	605	606	607	608	609	610	611	612	613	614	615	616	617	618	619	620	621	622	623	624	625	626	627	628	629	630	631	632	633	634	635	636	637	638	639	640	641	642	643	644	645	646	647	648	649	650	651	652	653	654	655	656	657	658	659	660	661	662	663	664	665	666	667	668	669	670	671	672	673	674	675	676	677	678	679	680	681	682	683	684	685	686	687	688	689	690	691	692	693	694	695	696	697	698	699	700	701	702	703	704	705	706	707	708	709	710	711	712	713	714	715	716	717	718	719	720	721	722	723	724	725	726	727	728	729	730	731	732	733	734	735	736	737	738	739	740	741	742	743	744	745	746	747	748	749	750	751	752	753	754	755	756	757	758	759	760	761	762	763	764	765	766	767	768	769	770	771	772	773	774	775	776	777	778	779	780	781	782	783	784	785	786	787	788	789	790	791	792	793	794	795	796	797	798	799	800	801	802	803	804	805	806	807	808	809	810	811	812	813	814	815	816	817	818	819	820	821	822	823	824	825	826	827	828	829	830	831	832	833	834	835	836	837	838	839	840	841	842	843	844	845	846	847	848	849	850	851	852	853	854	855	856	857	858	859	860	861	862	863	864	865	866	867	868	869	870	871	872	873	874	875	876	877	878	879	880	881	882	883	884	885	886	887	888	889	890	891	892	893	894	895	896	897	898	899	900	901	902	903	904	905	906	907	908	909	910	911	912	913	914	915	916	917	918	919	920	921	922	923	924	925	926	927	928	929	930	931	932	933	934	935	936	937	938	939	940	941	942	943	944	945	946	947	948	949	950	951	952	953	954	955	956	957	958	959	960	961	962	963	964	965	966	967	968	969	970	971	972	973	974	975	976	977	978	979	980	981	982	983	984	985	986	987	988	989	990	991	992	993	994	995	996	997	998	999	1000
-----	-----	-----	-----	-----	-----	-----	-----	-----	-----	-----	-----	-----	-----	-----	-----	-----	-----	-----	-----	-----	-----	-----	-----	-----	-----	-----	-----	-----	-----	-----	-----	-----	-----	-----	-----	-----	-----	-----	-----	-----	-----	-----	-----	-----	-----	-----	-----	-----	-----	-----	-----	-----	-----	-----	-----	-----	-----	-----	-----	-----	-----	-----	-----	-----	-----	-----	-----	-----	-----	-----	-----	-----	-----	-----	-----	-----	-----	-----	-----	-----	-----	-----	-----	-----	-----	-----	-----	-----	-----	-----	-----	-----	-----	-----	-----	-----	-----	-----	-----	-----	-----	-----	-----	-----	-----	-----	-----	-----	-----	-----	-----	-----	-----	-----	-----	-----	-----	-----	-----	-----	-----	-----	-----	-----	-----	-----	-----	-----	-----	-----	-----	-----	-----	-----	-----	-----	-----	-----	-----	-----	-----	-----	-----	-----	-----	-----	-----	-----	-----	-----	-----	-----	-----	-----	-----	-----	-----	-----	-----	-----	-----	-----	-----	-----	-----	-----	-----	-----	-----	-----	-----	-----	-----	-----	-----	-----	-----	-----	-----	-----	-----	-----	-----	-----	-----	-----	-----	-----	-----	-----	-----	-----	-----	-----	-----	-----	-----	-----	-----	-----	-----	-----	-----	-----	-----	-----	-----	-----	-----	-----	-----	-----	-----	-----	-----	-----	-----	-----	-----	-----	-----	-----	-----	-----	-----	-----	-----	-----	-----	-----	-----	-----	-----	-----	-----	-----	-----	-----	-----	-----	-----	-----	-----	-----	-----	-----	-----	-----	-----	-----	-----	-----	-----	-----	-----	-----	-----	-----	-----	-----	-----	-----	-----	-----	-----	-----	-----	-----	-----	-----	-----	-----	-----	-----	-----	-----	-----	-----	-----	-----	-----	-----	-----	-----	-----	-----	-----	-----	-----	-----	-----	-----	-----	-----	-----	-----	-----	-----	-----	-----	-----	-----	-----	-----	-----	-----	-----	-----	-----	-----	-----	-----	-----	-----	-----	-----	-----	-----	-----	-----	-----	-----	-----	-----	-----	-----	-----	-----	-----	-----	-----	-----	-----	-----	-----	-----	-----	-----	-----	-----	-----	-----	-----	-----	-----	-----	-----	-----	-----	-----	-----	-----	-----	-----	-----	-----	-----	-----	-----	-----	-----	-----	-----	-----	-----	-----	-----	-----	-----	-----	-----	-----	-----	-----	-----	-----	-----	-----	-----	-----	-----	-----	-----	-----	-----	-----	-----	-----	-----	-----	-----	-----	-----	-----	-----	-----	-----	-----	-----	-----	-----	-----	-----	-----	-----	-----	-----	-----	-----	-----	-----	-----	-----	-----	-----	-----	-----	-----	-----	-----	-----	-----	-----	-----	-----	-----	-----	-----	-----	-----	-----	-----	-----	-----	-----	-----	-----	-----	-----	-----	-----	-----	-----	-----	-----	-----	-----	-----	-----	-----	-----	-----	-----	-----	-----	-----	-----	-----	-----	-----	-----	-----	-----	-----	-----	-----	-----	-----	-----	-----	-----	-----	-----	-----	-----	-----	-----	-----	-----	-----	-----	-----	-----	-----	-----	-----	-----	-----	-----	-----	-----	-----	-----	-----	-----	-----	-----	-----	-----	-----	-----	-----	-----	-----	-----	-----	-----	-----	-----	-----	-----	-----	-----	-----	-----	-----	-----	-----	-----	-----	-----	-----	-----	-----	-----	-----	-----	-----	-----	-----	-----	-----	-----	-----	-----	-----	-----	-----	-----	-----	-----	-----	-----	-----	-----	-----	-----	-----	-----	-----	-----	-----	-----	-----	-----	-----	-----	-----	-----	-----	-----	-----	-----	-----	-----	-----	-----	-----	-----	-----	-----	-----	-----	-----	-----	-----	-----	-----	-----	-----	-----	-----	-----	-----	-----	-----	-----	-----	-----	-----	-----	-----	-----	-----	-----	-----	-----	-----	-----	-----	-----	-----	-----	-----	-----	-----	-----	-----	-----	-----	-----	-----	-----	-----	-----	-----	-----	-----	-----	-----	-----	-----	-----	-----	-----	-----	-----	-----	-----	-----	-----	-----	-----	-----	-----	-----	-----	-----	-----	-----	-----	-----	-----	-----	-----	-----	-----	-----	-----	-----	-----	-----	-----	-----	-----	-----	-----	-----	-----	-----	-----	-----	-----	-----	-----	-----	-----	-----	-----	-----	-----	-----	-----	-----	-----	-----	-----	-----	-----	-----	-----	-----	-----	-----	-----	-----	-----	-----	-----	-----	-----	-----	-----	-----	-----	-----	-----	-----	-----	-----	-----	-----	-----	-----	-----	-----	-----	-----	-----	-----	-----	-----	-----	-----	-----	-----	-----	-----	-----	-----	-----	-----	-----	-----	-----	-----	-----	-----	------

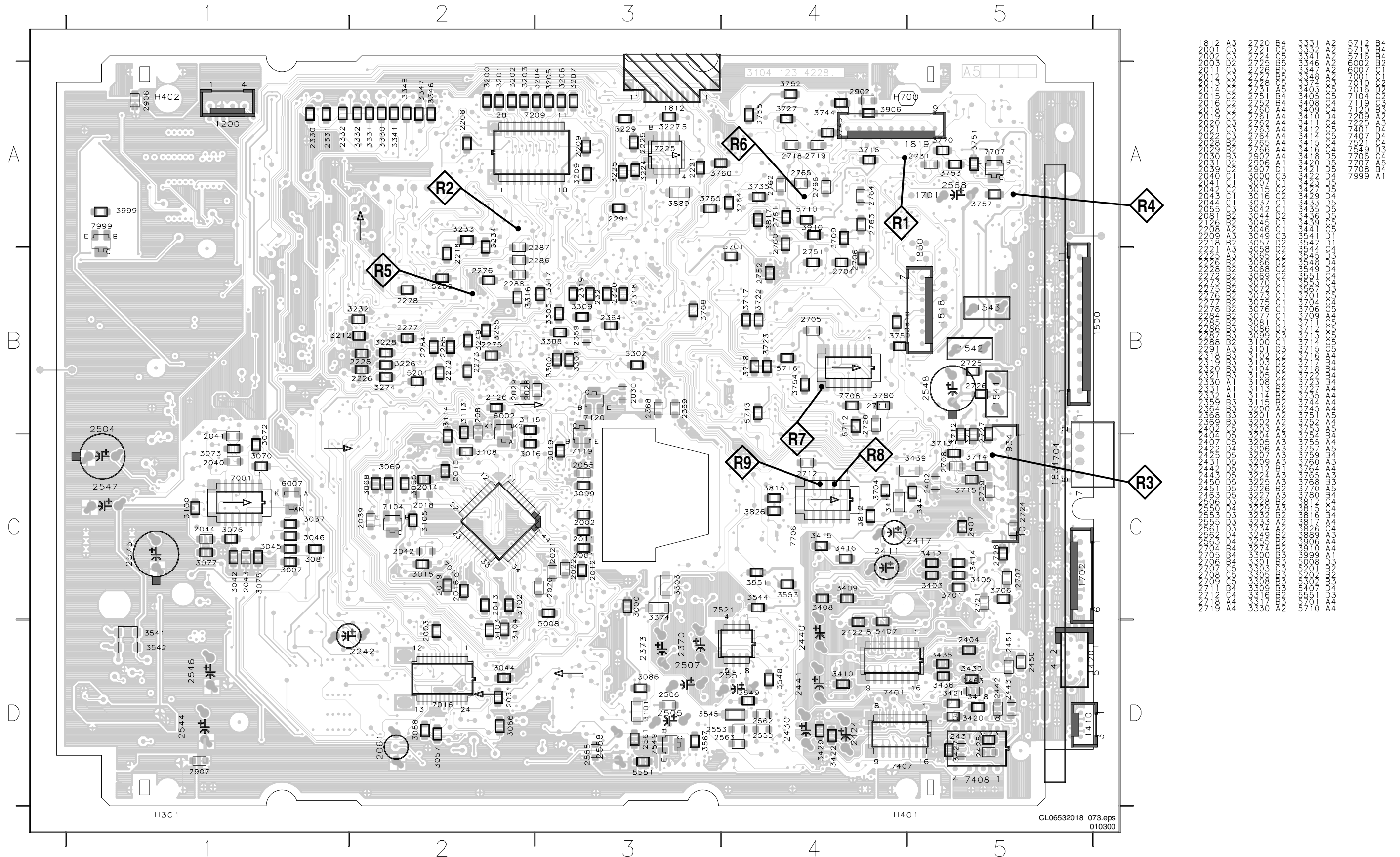
CDR-Mainboard PWB testpoints

CDR MAIN BOARD - BOTTOM VIEW : POWER PART TESTPOINTS



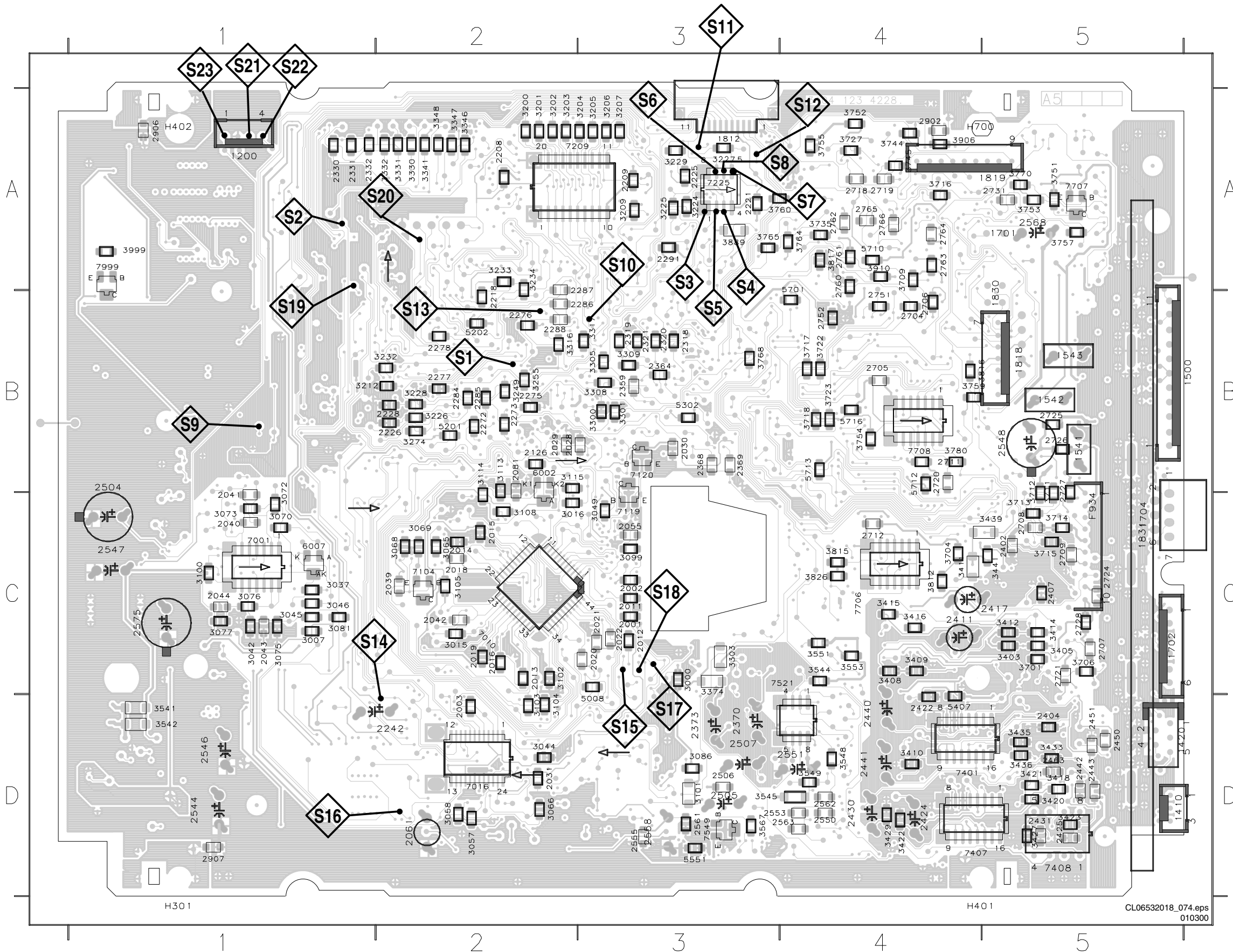
1	A	1	1
2	B	1	1
3	C	1	1
4	D	1	1
5	A	1	1
6	B	1	1
7	C	1	1
8	D	1	1
9	A	2	1
10	B	2	1
11	C	2	1
12	D	2	1
13	A	3	1
14	B	3	1
15	C	3	1
16	D	3	1

CDR MAIN BOARD - BOTTOM VIEW : RESET & CLOCK TESTPOINTS



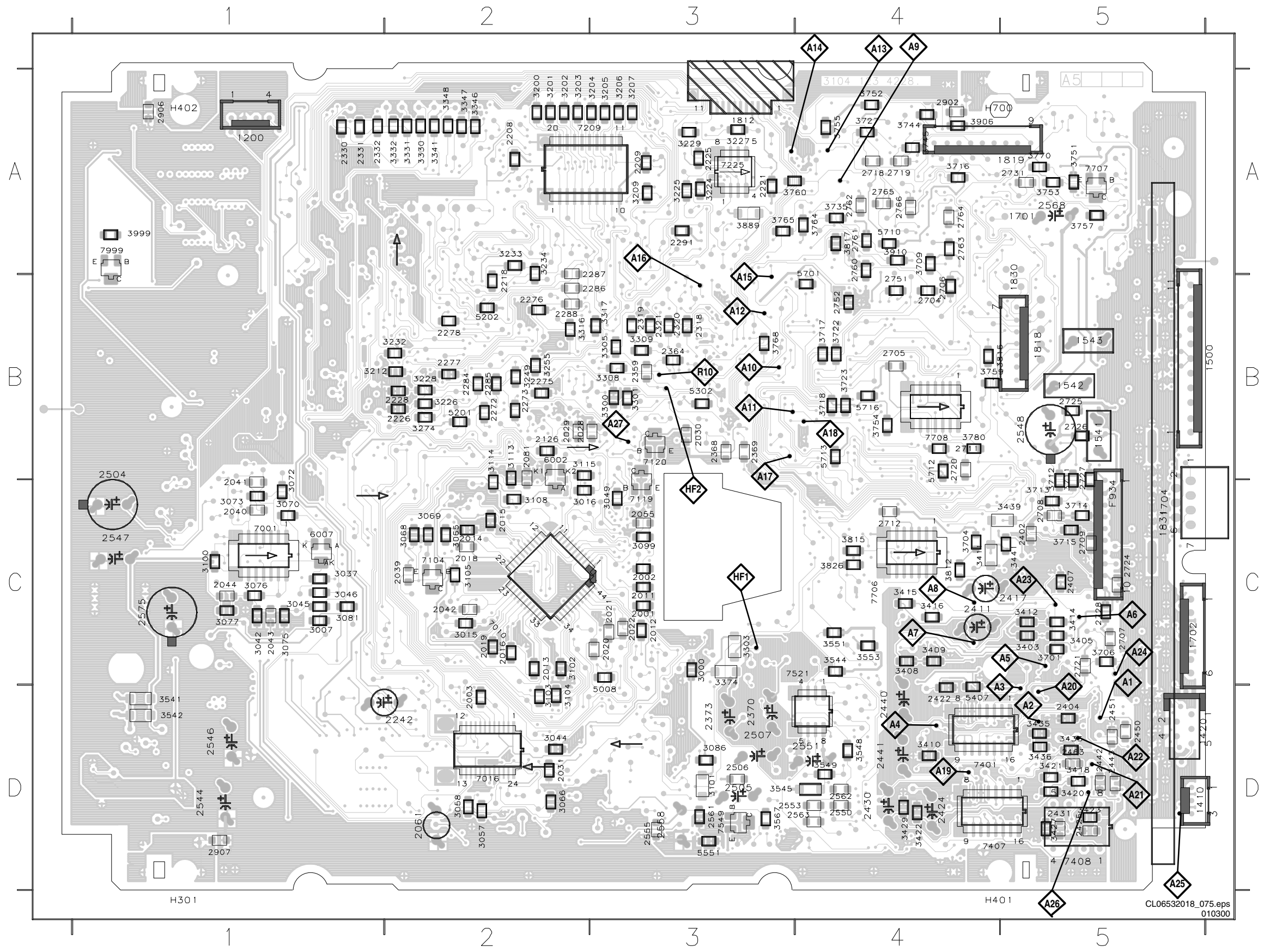
18	A2
19	A2
20	A2
21	A2
22	A2
23	A2
24	A2
25	A2
26	A2
27	A2
28	A2
29	A2
30	A2
31	A2
32	A2
33	A2
34	A2
35	A2
36	A2
37	A2
38	A2
39	A2
40	A2
41	A2
42	A2
43	A2
44	A2
45	A2
46	A2
47	A2
48	A2
49	A2
50	A2
51	A2
52	A2
53	A2
54	A2
55	A2
56	A2
57	A2
58	A2
59	A2
60	A2
61	A2
62	A2
63	A2
64	A2
65	A2
66	A2
67	A2
68	A2
69	A2
70	A2
71	A2
72	A2
73	A2
74	A2
75	A2
76	A2
77	A2
78	A2
79	A2
80	A2
81	A2
82	A2
83	A2
84	A2
85	A2
86	A2
87	A2
88	A2
89	A2
90	A2
91	A2
92	A2
93	A2
94	A2
95	A2
96	A2
97	A2
98	A2
99	A2
100	A2
101	A2
102	A2
103	A2
104	A2
105	A2
106	A2
107	A2
108	A2
109	A2
110	A2
111	A2
112	A2
113	A2
114	A2
115	A2
116	A2
117	A2
118	A2
119	A2
120	A2
121	A2
122	A2
123	A2
124	A2
125	A2
126	A2
127	A2
128	A2
129	A2
130	A2
131	A2
132	A2
133	A2
134	A2
135	A2
136	A2
137	A2
138	A2
139	A2
140	A2
141	A2
142	A2
143	A2
144	A2
145	A2
146	A2
147	A2
148	A2
149	A2
150	A2
151	A2
152	A2
153	A2
154	A2
155	A2
156	A2
157	A2
158	A2
159	A2
160	A2
161	A2
162	A2
163	A2
164	A2
165	A2
166	A2
167	A2
168	A2
169	A2
170	A2
171	A2
172	A2
173	A2
174	A2
175	A2
176	A2
177	A2
178	A2
179	A2
180	A2
181	A2
182	A2
183	A2
184	A2
185	A2
186	A2
187	A2
188	A2
189	A2
190	A2
191	A2
192	A2
193	A2
194	A2
195	A2
196	A2
197	A2
198	A2
199	A2
200	A2
201	A2
202	A2
203	A2
204	A2
205	A2
206	A2
207	A2
208	A2
209	A2
210	A2
211	A2
212	A2
213	A2
214	A2
215	A2
216	A2
217	A2
218	A2
219	A2
220	A2
221	A2
222	A2
223	A2
224	A2
225	A2
226	A2
227	A2
228	A2
229	A2
230	A2
231	A2
232	A2
233	A2
234	A2
235	A2
236	A2
237	A2
238	A2
239	A2
240	A2
241	A2
242	A2
243	A2
244	A2
245	A2
246	A2
247	A2
248	A2
249	A2
250	A2
251	A2
252	A2
253	A2
254	A2
255	A2
256	A2
257	A2
258	A2
259	A2
260	A2
261	A2
262	A2
263	A2
264	A2
265	A2
266	A2
267	A2
268	A2
269	A2
270	A2
271	A2
272	A2
273	A2
274	A2
275	A2
276	A2
277	A2
278	A2
279	A2
280	A2
281	A2
282	A2
283	A2
284	A2
285	A2
286	A2
287	A2
288	A2
289	A2
290	A2
291	A2
292	A2
293	A2
294	A2
295	A2
296	A2
297	A2
298	A2
299	A2
300	A2
301	A2
302	A2
303	A2
304	A2
305	A2
306	A2
307	A2
308	A2
309	A2
310	A2
311	A2
312	A2
313	A2
314	A2
315	A2
316	A2
317	A2
318	A2
319	A2
320	A2
321	A2
322	A2
323	A2
324	A2
325	A2
326	A2
327	A2
328	A2
329	A2
330	A2
331	A2
332	A2
333	A2
334	A2
335	A2
336	A2
337	A2
338	A2
339	A2
340	A2
341	A2
342	A2
343	A2
344	A2
345	A2
346	A2
347	A2
348	A2
349	A2
350	A2
351	A2
352	A2
353	A2
354	A2
355	A2
356	A2
357	A2
358	A2
359	A2
360	A2
361	A2
362	A2
363	A2
364	A2
365	A2
366	A2
367	A2
368	A2
369	A2
370	A2
371	A2
372	A2
373	A2
374	A2
375	A2
376	A2
377	A2
378	A2
379	A2
380	A2
381	A2
382	A2
383	A2
384	A2
385	A2
386	A2
387	A2
388	A2
389	A2
390	A2
391	A2
392	A2
393	A2
394	A2
395	A2
396	A2
397	A2
398	A2
399	A2
400	A2
401	A2
402	A2
403	A2
404	A2
405	A2
406	A2
407	A2
408	A2
409	A2
410	A2
411	A2
412	A2
413	A2
414	A2
415	A2
416	A2
417	A2
418	A2
419	A2
420	A2
421	A2
422	A2
423	A2
424	A2
425	A2
426	A2
427	A2
428	A2
429	A2
430	A2
431	A2
432	A2
433	A2
434	A2
435	A2
436	A2
437	A2
438	A2
439	A2
440	A2
441	A2
442	A2
443	A2
444	A2
445	A2
446	A2
447	A2
448	A2
449	A2
450	A2

CDR MAIN BOARD - BOTTOM VIEW : SERVO TESTPOINTS



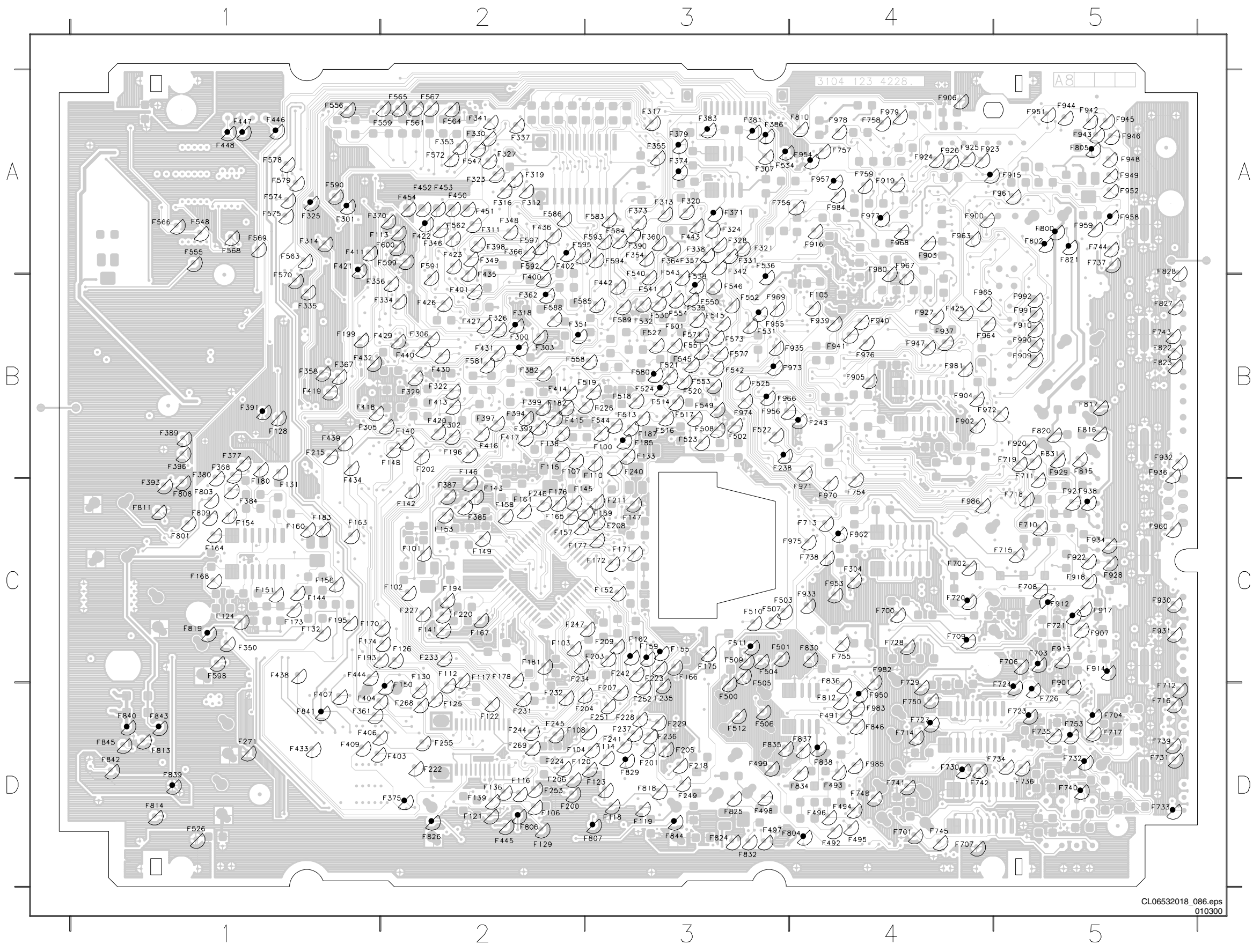
18	2720	A4	5711	A2
22	2721	A4	5712	A2
23	2722	A4	5713	A2
24	2723	A4	5714	A2
25	2724	A4	5715	A2
26	2725	A4	5716	A2
27	2726	A4	5717	A2
28	2727	A4	5718	A2
29	2728	A4	5719	A2
30	2729	A4	5720	A2
31	2730	A4	5721	A2
32	2731	A4	5722	A2
33	2732	A4	5723	A2
34	2733	A4	5724	A2
35	2734	A4	5725	A2
36	2735	A4	5726	A2
37	2736	A4	5727	A2
38	2737	A4	5728	A2
39	2738	A4	5729	A2
40	2739	A4	5730	A2
41	2740	A4	5731	A2
42	2741	A4	5732	A2
43	2742	A4	5733	A2
44	2743	A4	5734	A2
45	2744	A4	5735	A2
46	2745	A4	5736	A2
47	2746	A4	5737	A2
48	2747	A4	5738	A2
49	2748	A4	5739	A2
50	2749	A4	5740	A2
51	2750	A4	5741	A2
52	2751	A4	5742	A2
53	2752	A4	5743	A2
54	2753	A4	5744	A2
55	2754	A4	5745	A2
56	2755	A4	5746	A2
57	2756	A4	5747	A2
58	2757	A4	5748	A2
59	2758	A4	5749	A2
60	2759	A4	5750	A2
61	2760	A4	5751	A2
62	2761	A4	5752	A2
63	2762	A4	5753	A2
64	2763	A4	5754	A2
65	2764	A4	5755	A2
66	2765	A4	5756	A2
67	2766	A4	5757	A2
68	2767	A4	5758	A2
69	2768	A4	5759	A2
70	2769	A4	5760	A2
71	2770	A4	5761	A2
72	2771	A4	5762	A2
73	2772	A4	5763	A2
74	2773	A4	5764	A2
75	2774	A4	5765	A2
76	2775	A4	5766	A2
77	2776	A4	5767	A2
78	2777	A4	5768	A2
79	2778	A4	5769	A2
80	2779	A4	5770	A2
81	2780	A4	5771	A2
82	2781	A4	5772	A2
83	2782	A4	5773	A2
84	2783	A4	5774	A2
85	2784	A4	5775	A2
86	2785	A4	5776	A2
87	2786	A4	5777	A2
88	2787	A4	5778	A2
89	2788	A4	5779	A2
90	2789	A4	5780	A2
91	2790	A4	5781	A2
92	2791	A4	5782	A2
93	2792	A4	5783	A2
94	2793	A4	5784	A2
95	2794	A4	5785	A2
96	2795	A4	5786	A2
97	2796	A4	5787	A2
98	2797	A4	5788	A2
99	2798	A4	5789	A2
100	2799	A4	5790	A2

CDR MAIN BOARD - BOTTOM VIEW : AUDIO TESTPOINTS



18	A			
19	A			
20	A			
21	A			
22	A			
23	A			
24	A			
25	A			
26	A			
27	A			
28	A			
29	A			
30	A			
31	A			
32	A			
33	A			
34	A			
35	A			
36	A			
37	A			
38	A			
39	A			
40	A			
41	A			
42	A			
43	A			
44	A			
45	A			
46	A			
47	A			
48	A			
49	A			
50	A			
51	A			
52	A			
53	A			
54	A			
55	A			
56	A			
57	A			
58	A			
59	A			
60	A			
61	A			
62	A			
63	A			
64	A			
65	A			
66	A			
67	A			
68	A			
69	A			
70	A			
71	A			
72	A			
73	A			
74	A			
75	A			
76	A			
77	A			
78	A			
79	A			
80	A			

CDR MAINBOARD: SURVEY OF TESTPOINTS



CL06532018_086.eps
010300

1705
1704
1703
1702
1701
1699
1698
1697
1696
1695
1694
1693
1692
1691
1690
1689
1688
1687
1686
1685
1684
1683
1682
1681
1680
1679
1678
1677
1676
1675
1674
1673
1672
1671
1670
1669
1668
1667
1666
1665
1664
1663
1662
1661
1660
1659
1658
1657
1656
1655
1654
1653
1652
1651
1650
1649
1648
1647
1646
1645
1644
1643
1642
1641
1640
1639
1638
1637
1636
1635
1634
1633
1632
1631
1630
1629
1628
1627
1626
1625
1624
1623
1622
1621
1620
1619
1618
1617
1616
1615
1614
1613
1612
1611
1610
1609
1608
1607
1606
1605
1604
1603
1602
1601
1600
1599
1598
1597
1596
1595
1594
1593
1592
1591
1590
1589
1588
1587
1586
1585
1584
1583
1582
1581
1580
1579
1578
1577
1576
1575
1574
1573
1572
1571
1570
1569
1568
1567
1566
1565
1564
1563
1562
1561
1560
1559
1558
1557
1556
1555
1554
1553
1552
1551
1550
1549
1548
1547
1546
1545
1544
1543
1542
1541
1540
1539
1538
1537
1536
1535
1534
1533
1532
1531
1530
1529
1528
1527
1526
1525
1524
1523
1522
1521
1520
1519
1518
1517
1516
1515
1514
1513
1512
1511
1510
1509
1508
1507
1506
1505
1504
1503
1502
1501
1500
1499
1498
1497
1496
1495
1494
1493
1492
1491
1490
1489
1488
1487
1486
1485
1484
1483
1482
1481
1480
1479
1478
1477
1476
1475
1474
1473
1472
1471
1470
1469
1468
1467
1466
1465
1464
1463
1462
1461
1460
1459
1458
1457
1456
1455
1454
1453
1452
1451
1450
1449
1448
1447
1446
1445
1444
1443
1442
1441
1440
1439
1438
1437
1436
1435
1434
1433
1432
1431
1430
1429
1428
1427
1426
1425
1424
1423
1422
1421
1420
1419
1418
1417
1416
1415
1414
1413
1412
1411
1410
1409
1408
1407
1406
1405
1404
1403
1402
1401
1400
1399
1398
1397
1396
1395
1394
1393
1392
1391
1390
1389
1388
1387
1386
1385
1384
1383
1382
1381
1380
1379
1378
1377
1376
1375
1374
1373
1372
1371
1370
1369
1368
1367
1366
1365
1364
1363
1362
1361
1360
1359
1358
1357
1356
1355
1354
1353
1352
1351
1350
1349
1348
1347
1346
1345
1344
1343
1342
1341
1340
1339
1338
1337
1336
1335
1334
1333
1332
1331
1330
1329
1328
1327
1326
1325
1324
1323
1322
1321
1320
1319
1318
1317
1316
1315
1314
1313
1312
1311
1310
1309
1308
1307
1306
1305
1304
1303
1302
1301
1300
1299
1298
1297
1296
1295
1294
1293
1292
1291
1290
1289
1288
1287
1286
1285
1284
1283
1282
1281
1280
1279
1278
1277
1276
1275
1274
1273
1272
1271
1270
1269
1268
1267
1266
1265
1264
1263
1262
1261
1260
1259
1258
1257
1256
1255
1254
1253
1252
1251
1250
1249
1248
1247
1246
1245
1244
1243
1242
1241
1240
1239
1238
1237
1236
1235
1234
1233
1232
1231
1230
1229
1228
1227
1226
1225
1224
1223
1222
1221
1220
1219
1218
1217
1216
1215
1214
1213
1212
1211
1210
1209
1208
1207
1206
1205
1204
1203
1202
1201
1200
1199
1198
1197
1196
1195
1194
1193
1192
1191
1190
1189
1188
1187
1186
1185
1184
1183
1182
1181
1180
1179
1178
1177
1176
1175
1174
1173
1172
1171
1170
1169
1168
1167
1166
1165
1164
1163
1162
1161
1160
1159
1158
1157
1156
1155
1154
1153
1152
1151
1150
1149
1148
1147
1146
1145
1144
1143
1142
1141
1140
1139
1138
1137
1136
1135
1134
1133
1132
1131
1130
1129
1128
1127
1126
1125
1124
1123
1122
1121
1120
1119
1118
1117
1116
1115
1114
1113
1112
1111
1110
1109
1108
1107
1106
1105
1104
1103
1102
1101
1100
1099
1098
1097
1096
1095
1094
1093
1092
1091
1090
1089
1088
1087
1086
1085
1084
1083
1082
1081
1080
1079
1078
1077
1076
1075
1074
1073
1072
1071
1070
1069
1068
1067
1066
1065
1064
1063
1062
1061
1060
1059
1058
1057
1056
1055
1054
1053
1052
1051
1050
1049
1048
1047
1046
1045
1044
1043
1042
1041
1040
1039
1038
1037
1036
1035
1034
1033
1032
1031
1030
1029
1028
1027
1026
1025
1024
1023
1022
1021
1020
1019
1018
1017
1016
1015
1014
1013
1012
1011
1010
1009
1008
1007
1006
1005
1004
1003
1002
1001
1000
999
998
997
996
995
994
993
992
991
990
989
988
987
986
985
984
983
982
981
980
979
978
977
976
975
974
973
972
971
970
969
968
967
966
965
964
963
962
961
960
959
958
957
956
955
954
953
952
951
950
949
948
947
946
945
944
943
942
941
940
939
938
937
936
935
934
933
932
931
930
929
928
927
926
925
924
923
922
921
920
919
918
917
916
915
914
913
912
911
910
909
908
907
906
905
904
903
902
901
900
899
898
897
896
895
894
893
892
891
890
889
888
887
886
885
884
883
882
881
880
879
878
877
876
875
874
873
872
871
870
869
868
867
866
865
864
863
862
861
860
859
858
857
856
855
854
853
852
851
850
849
848
847
846
845
844
843
842
841
840
839
838
837
836
835
834
833
832
831
830
829
828
827
826
825
824
823
822
821
820
819
818
817
816
815
814
813
812
811
810
809
808
807
806
805
804
803
802
801
800
799
798
797
796
795
794
793
792
791
790
789
788
787
786
785
784
783
782
781
780
779
778
777
776
775
774
773
772
771
770
769
768
767
766
765
764
763
762
761
760
759
758
757
756
755
754
753
752
751
750
749
748
747
746
745
744
743
742
741
740
739
738
737
736
735
734
733
732
731
730
729
728
727
726
725
724
723
722
721
720
719
718
717
716
715
714
713
712
711
710
709
708
707
706
705
704
703
702
701
700
699
698
697
696
695
694
693
692
691
690
689
688
687
686
685
684
683
682
681
680
679
678
677
676
675
674
673
672
671
670
669
668
667
666
665
664
663
662
661
660
659
658
657
656
655
654
653
652
651
650
649
648
647
646
645
644
643
642
641
640
639
638
637
636
635
634
633
632
631
630
629
628
627
626
625
624
623
622
621
620
619
618
617
616
615
614
613
612
611
610
609
608
607
606
605
604
603
602
601
600
599
598
597
596
595
594
593
592
591
590
589
588
587
586
585
584
583
582
581
580
579
578
577
576
575
574
573
572
571
570
569
568
567
566
565
564
563
562
561
560
559
558
557
556
555
554
553
552
551
550
549
548
547
546
545
544
543
542
541
540
539
538
537
536
535
534
533
532
531
530
529
528
527
526
525
524
523
522
521
520
519
518
517
516
515
514
513
512
511
510
509
508
507
506
505
504
503
502
501
500
499
498
497
496
495
494
493
492
491
490
489
488
487
486
485
484
483
482
481
480
479
478
477
476
475
474
473
472
471
470
469
468
467
466
465
464
463
462
461
460
459
458
457
456
455
454
453
452
451
450
449
448
447
446
445
444
443
442
441
440
439
438
437
436
435
434
433
432
431
430
429
428
427
426
425
424
423
422
421
420
419
418
417
416
415
414
413
412
411
410
409
408
407
406
405
404
403
402
401
400
399
398
397
396
395
394
393
392
391
390
389
388
387
386
385
384
383
382
381
380
379
378
377
376
375
374
373
372
371
370
369
368
367
366
365
364
363
362
361
360
359
358
357
356
355
354
353
352
351
350
349
348
347
346
345
344
343
342
341
340
339
338
337
336
335
334
333
332
331
330
329
328
327
326
325
324
323
322
321
320
319
318
317
316
315
314
313
312
311
310
309
308
307
306
305
304
303
302
301
300
299
298
297
296
295
294
293
292
291
290
289
288
287
286
285
284
283
282
281
280
279
278
277
276
275
274
273
272
271
270
269
268
267
266
265
264
263
262
261
260
259
258
257
256
255
254
253
252
251
250
249
248
247
246
245
244
243
242
241
240
239
238
237
236
235
234
233
232
231
230
229
228
227
226
225
224
223
222
221
220
219
218
217
216
215
214
213
212
211
210
209
208
207
206
205
204
203
202
201
200
199
198
197
196
195
194
193
192
191
190
189
188
187
186
185
184
183
182
181
180
179
178
177
176
175
174
173
172
171
170
169
168
167
166
165
164
163
162
161
160
159
158
157
156
155
154
153
152
151
150
149
148
147
146
145
144
143
142
141
140
139
138
137
136
135
134
133
132
131
130
129
128
127
126
125
124
123
122
121
120
119
118
117
116
115
114
113
112
111
110
109
108
107
106
105
104
103
102
101
100
99
98
97
96
95
94
93
92
91
90
89
88
87
86
85
84
83
82
81
80
79
78
77
76
75
74
73
72
71
70
69
68
67
66
65
64
63
62
61
60
59
58
57
56
55
54
53
52
51
50
49
48
47
46
45
44
43
42
41
40
39
38
37
36
35
34
33
32
31
30
29
28
27
26
25
24
23
22
21
20
19
18
17
16
15
14
13
12
11
10
9
8
7
6
5
4
3
2
1