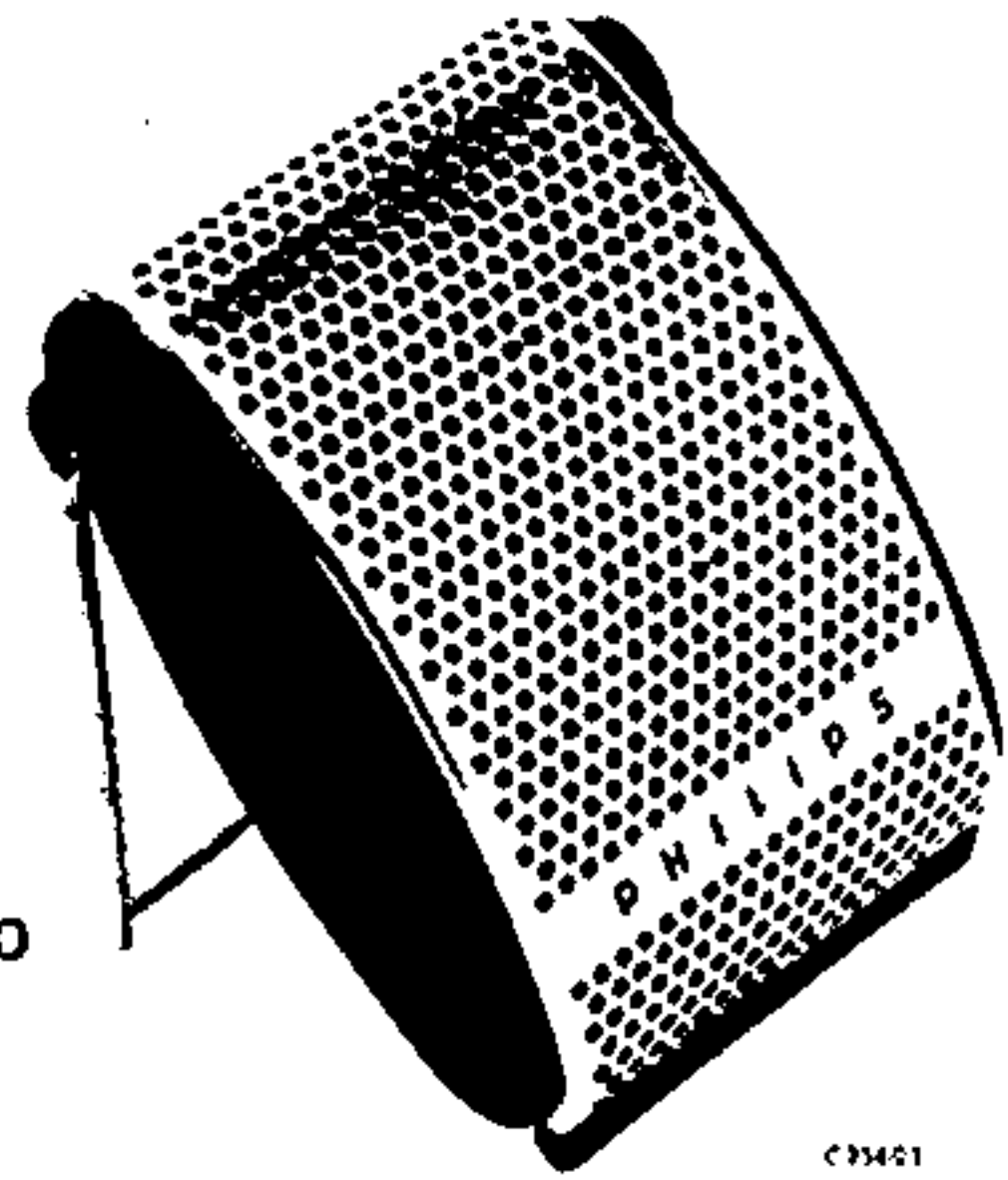


# PHILIPS

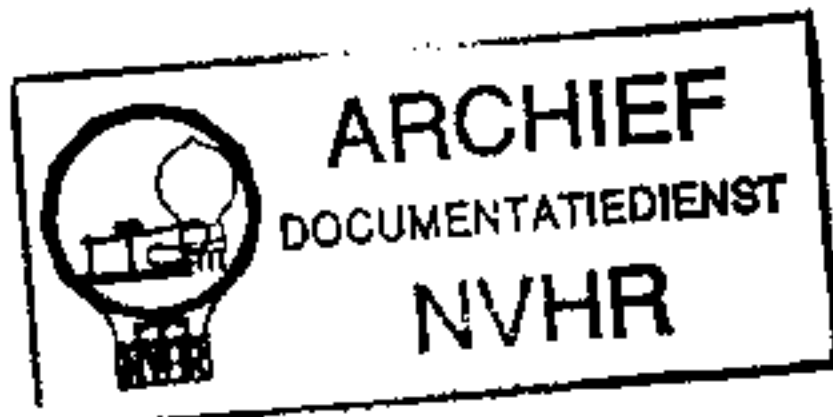
# Service



## ELA AMPLIFIERS

Ned. Ver. v. Historie v/d Radio

### EL 3782



Met dank aan John Koster



### EL 3782

#### Versions

- EL 3782/00 low-ohmic electrodynamic directional microphone for EL 3549.
- EL 3782/01 as -/00, however, neutral and with switch-craft plug.
- EL 3782/03 as -/00, however, second brand version neutral.

#### General

The microphone is suitable for speech and music and can be used in humid surroundings. The microphone is also suitable for use in the tropics (up to 70°). With the switch found on the rear side of the microphone the microphone can be made suitable for speech and music. Position "+" is music, position "-" is speech.

#### Figures

- Fig. 1 Assembly,
- Fig. 2 Circuit diagram,
- Fig. 3 Frequency characteristic.

#### Sensitivity

At 1000 c/s the sensitivity amounts to 0.22 mV/μBar and 0.15 mV/μBar for position "+" and "-" respectively.

#### Impedance

At 1000 c/s the impedance amounts to 500 and 583 for the positions "+" and "-" respectively.

#### Replacement of button

Undo 2 screws.

- . Remove cover (pos. 24)

SERVICE INFORMATION									
---------------------	--	--	--	--	--	--	--	--	--

- . Pull bracket with button (pos. 6) outwards.
- . Unsolder the wires of the old button and solder new button home.
- . Remounting in the reverse order.

List of parts

<u>Pos.</u>	<u>Code number</u>	<u>Nomenclature</u>	<u>EL 3782/00/01/03</u>		
1	V3 115 73	Housing (assembly)	x	x	x
4	V3 218 44	Disc (rubber)	x	x	x
6	EL 6084/10	Microphone button	x	x	x
7	V3 218 43	Ring (rubber)	x	x	x
8	V3 744 70	Hinge (assembly)	x	x	x
16	V3 579 57	Switch (assy)	x	x	x
18	C 280 AA/P100K	Capacitor	x	x	x
19	B 305 00A/1K2	Miniature carbon resistor 0,1 W, 1200 Ω, 10 %	x	x	x
20a	R 367 KA/03AA10	Flex	x	x	x
20b	V3 607 50	Plug	-	x	-
	Q78/M3x1,5	Plug	x	-	x

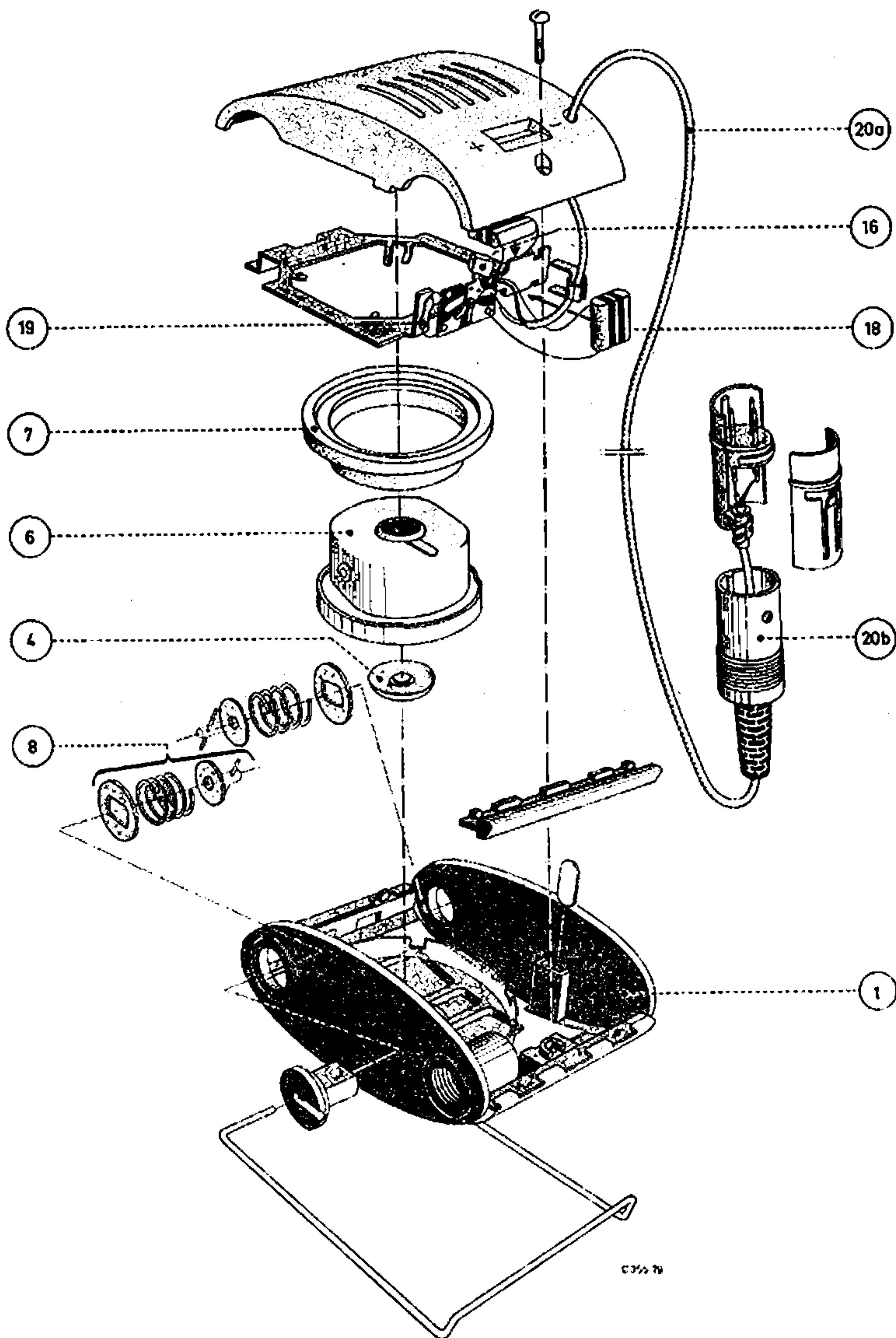
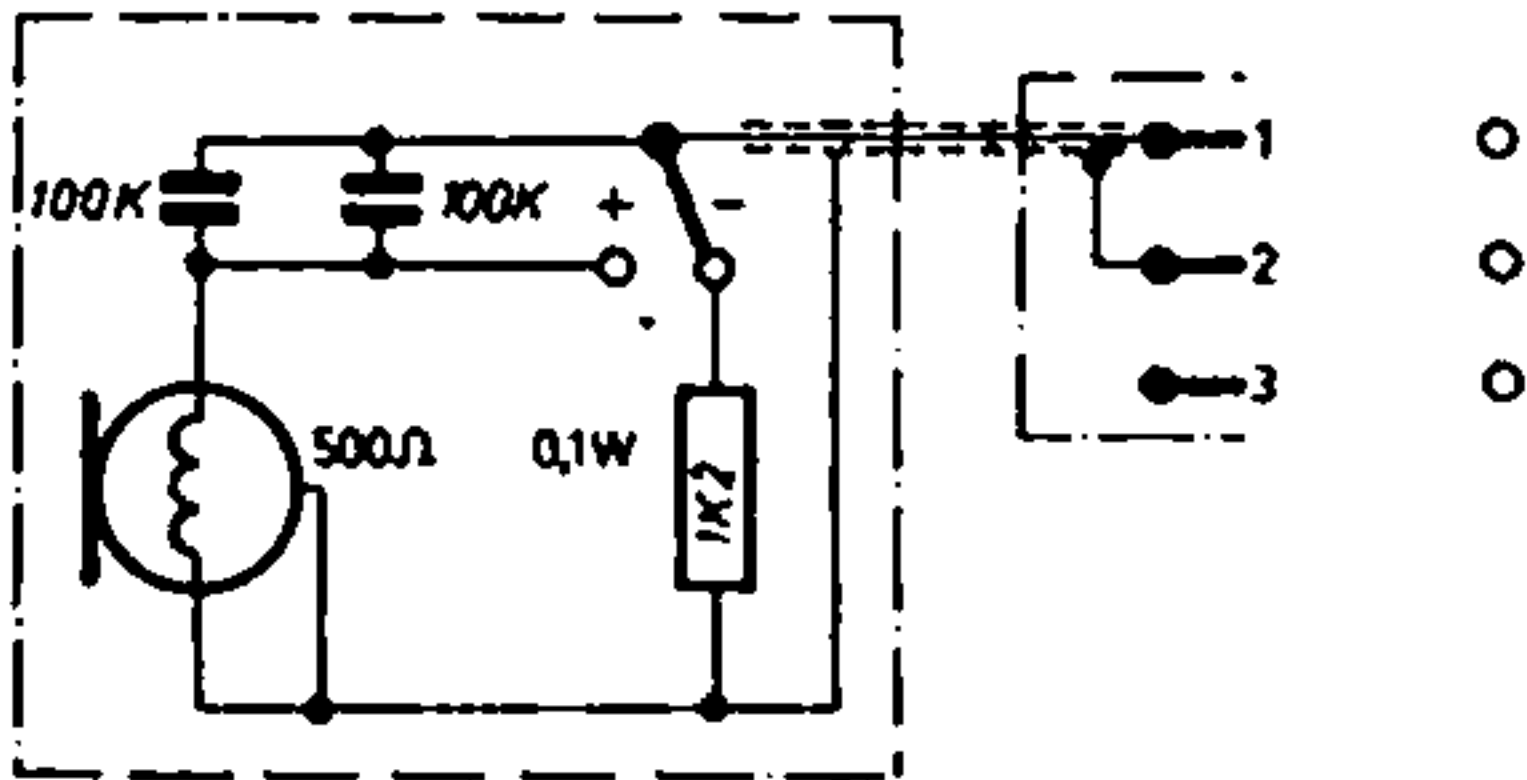
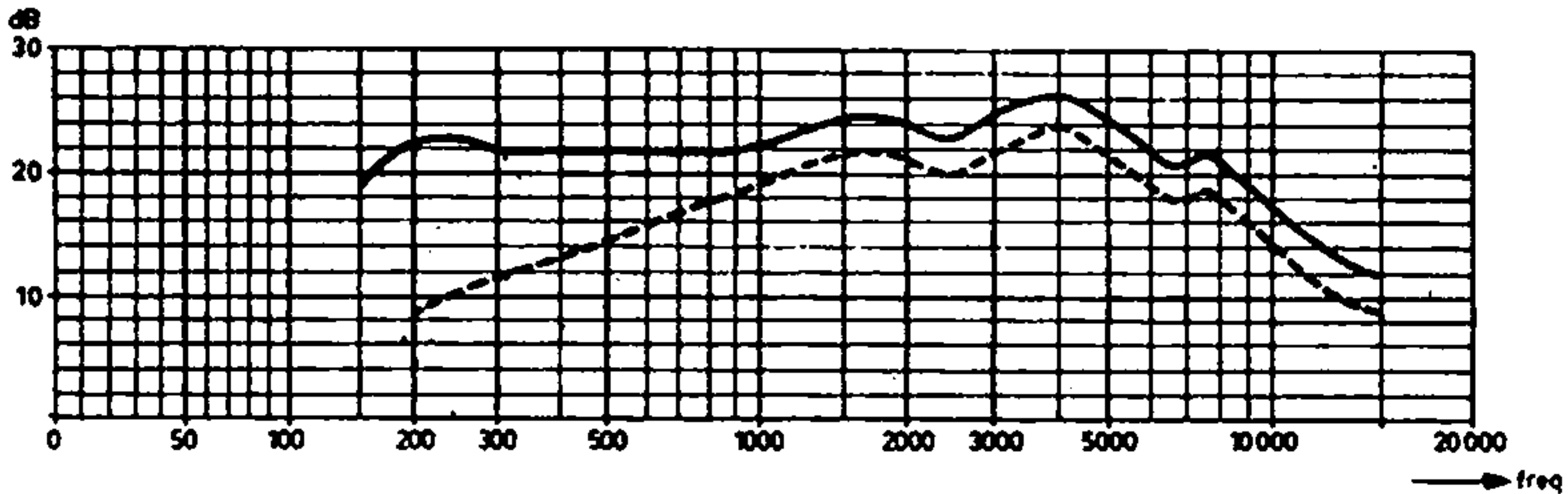


Fig.1



C355 81

Fig. 2



C355 80

Fig. 3